

Roof Panel Rear Molding Package Installation (Instruction ID: 84400546)

Installation Instructions Part Number

84400546

Note: Please review the entire procedure before trying to perform it.

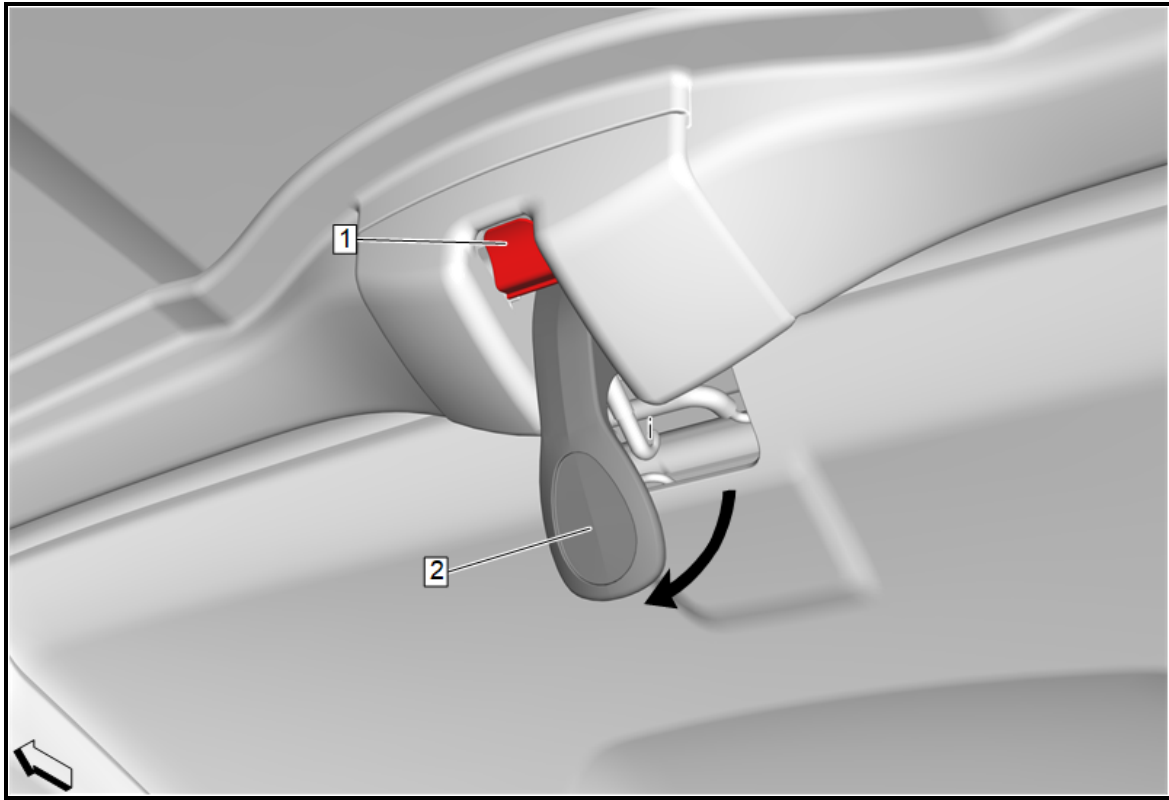
Kit Contents

Qty	Description
1	Roof Panel Rear Molding
1	Installation Instructions

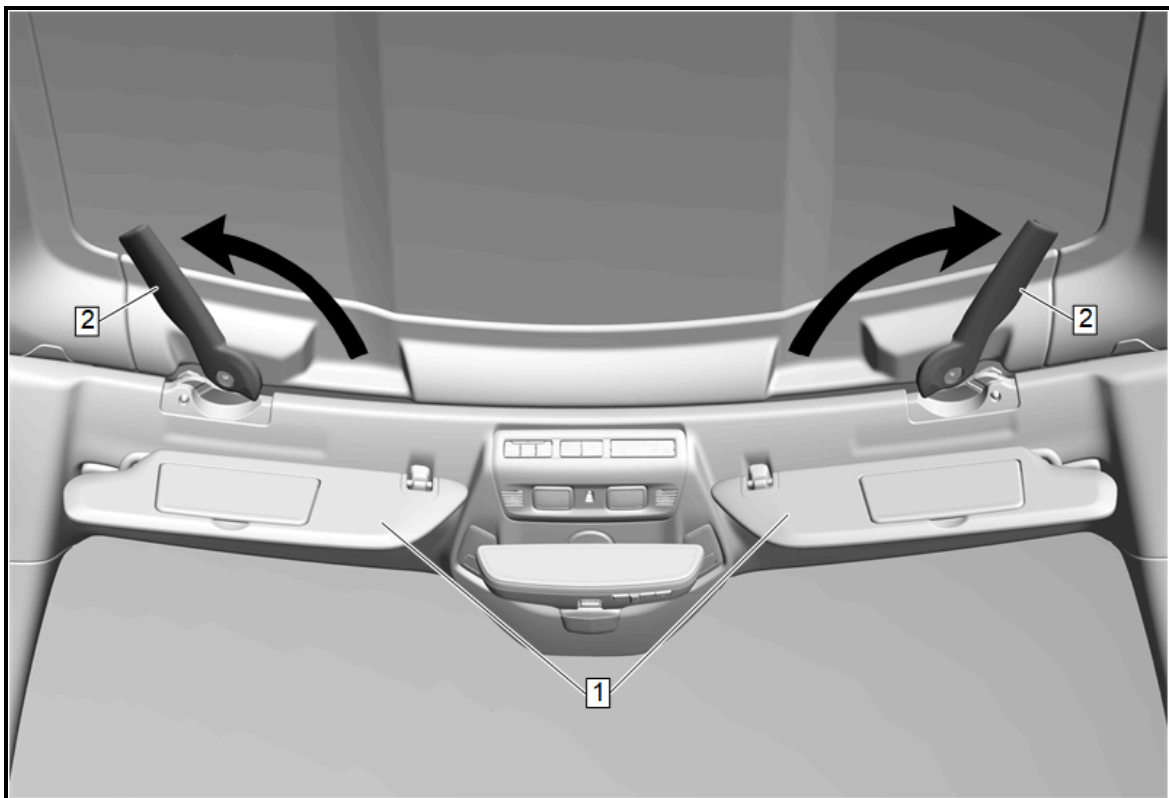
Removal Procedure

Caution: Perform the following procedures before removing or installing the roof lift off panel to help avoid damage.

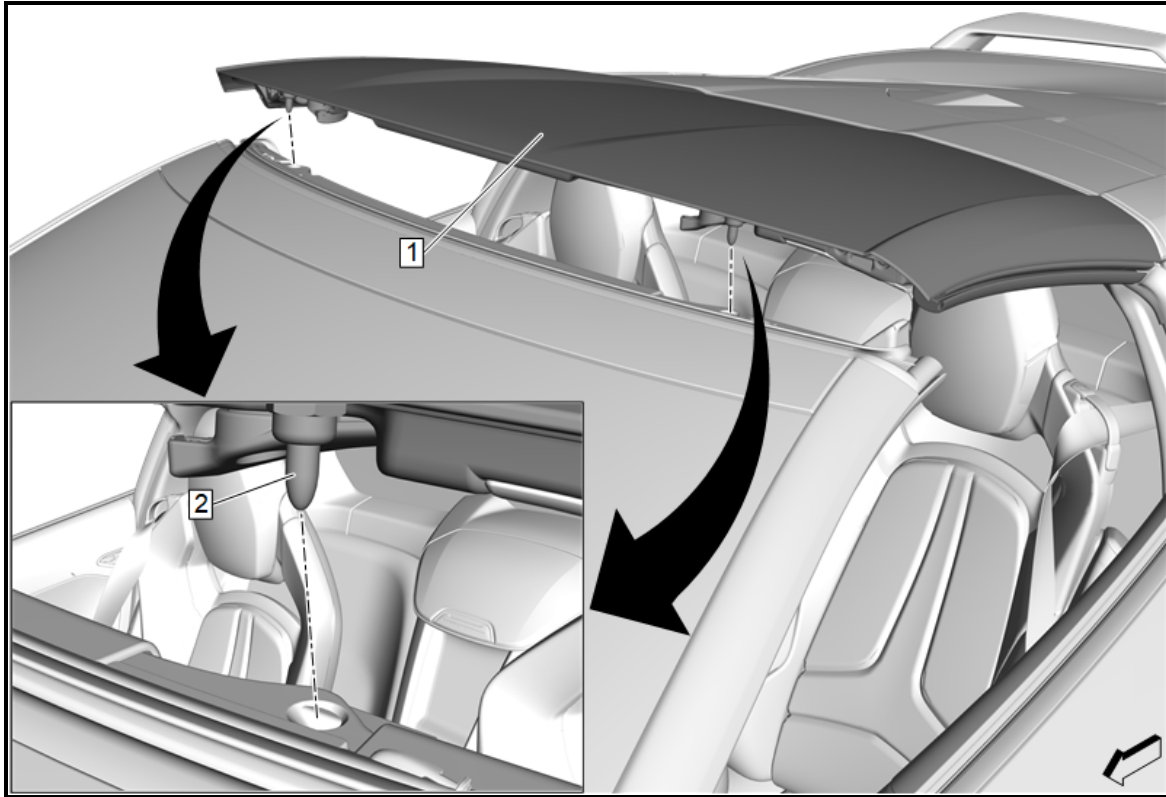
- Park the vehicle on a level service.
- Shift the automatic transmission into PARK.
- Shift a manual transmission into REVERSE or FIRST gear.
- Set the parking brake firmly.
- Lower the side windows.
- Turn the ignition key OFF



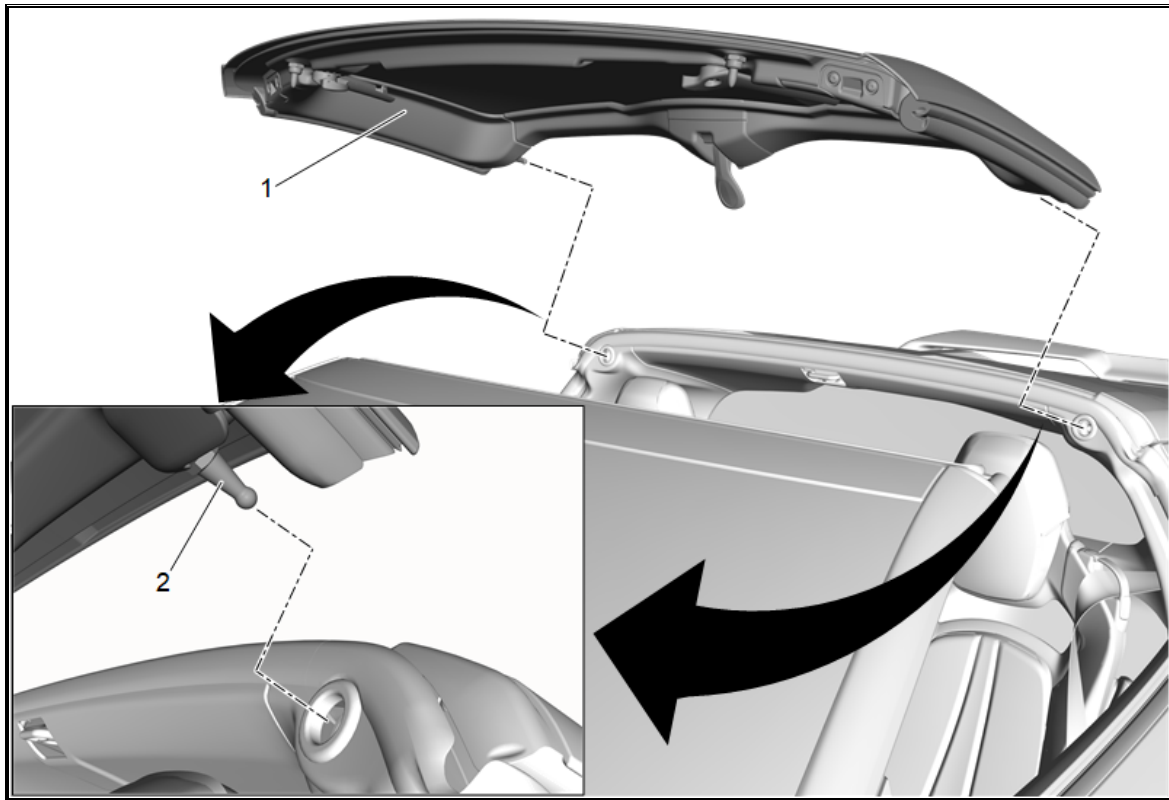
1. Depress the rear latch release button (1) and rotate the roof lift off panel/window rear latch (2) down and forward, ensuring the latch clamp has released.



2. Place each sunshade (1) in the downward position to access the front latches.
3. Pull down the roof lift off panel/window latch handles (2) and rotate each handle outward.

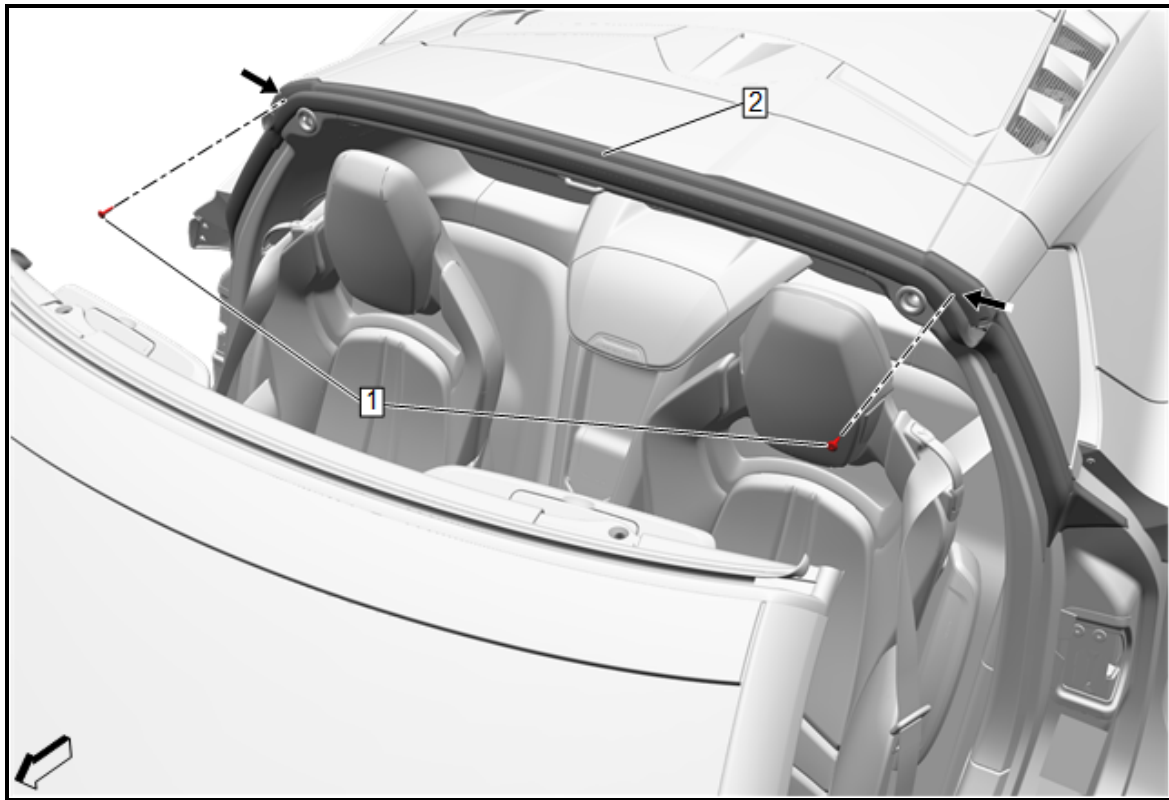


4. Lift the front of the roof lift off panel (1) to disengage the roof lift off panel locating pins (2).

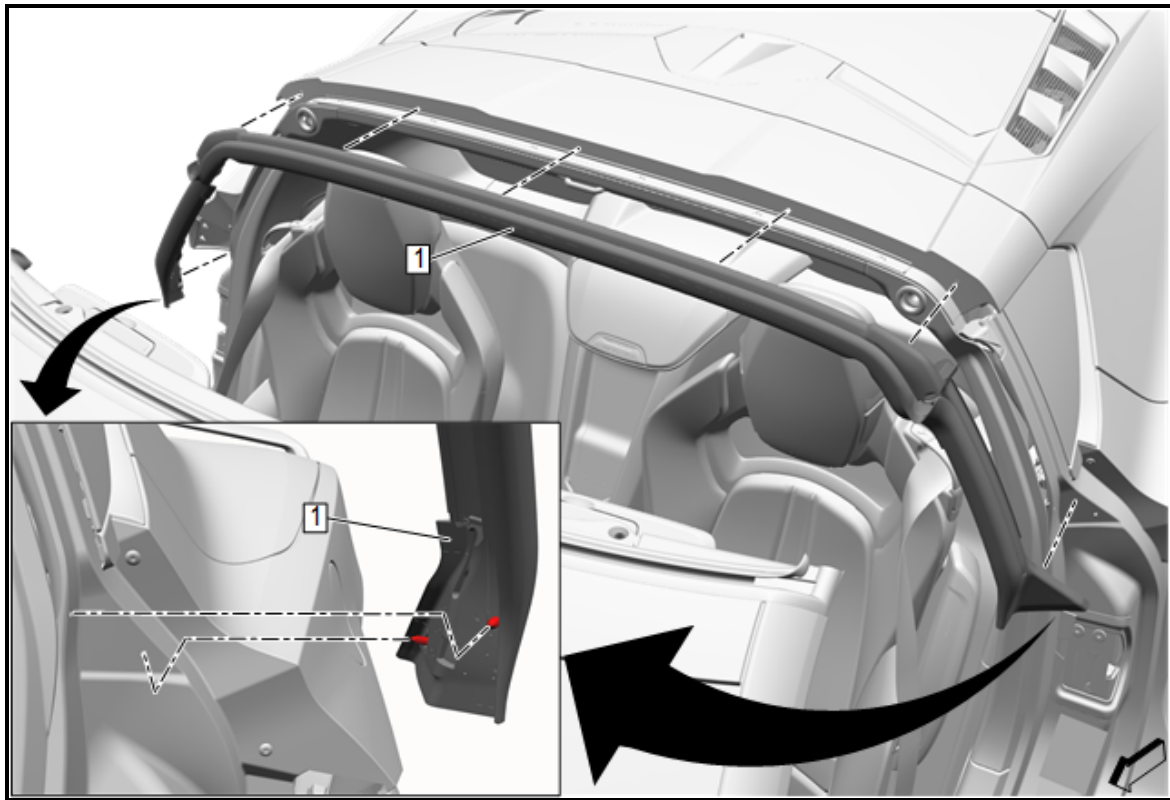


Note: Observe the location of the rubber grommets mounted around the rear locating pin receiver access holes. The grommet may be uninstalled when the roof lift off panel is removed. Ensure the grommet is properly mounted before installing the roof lift off panel.

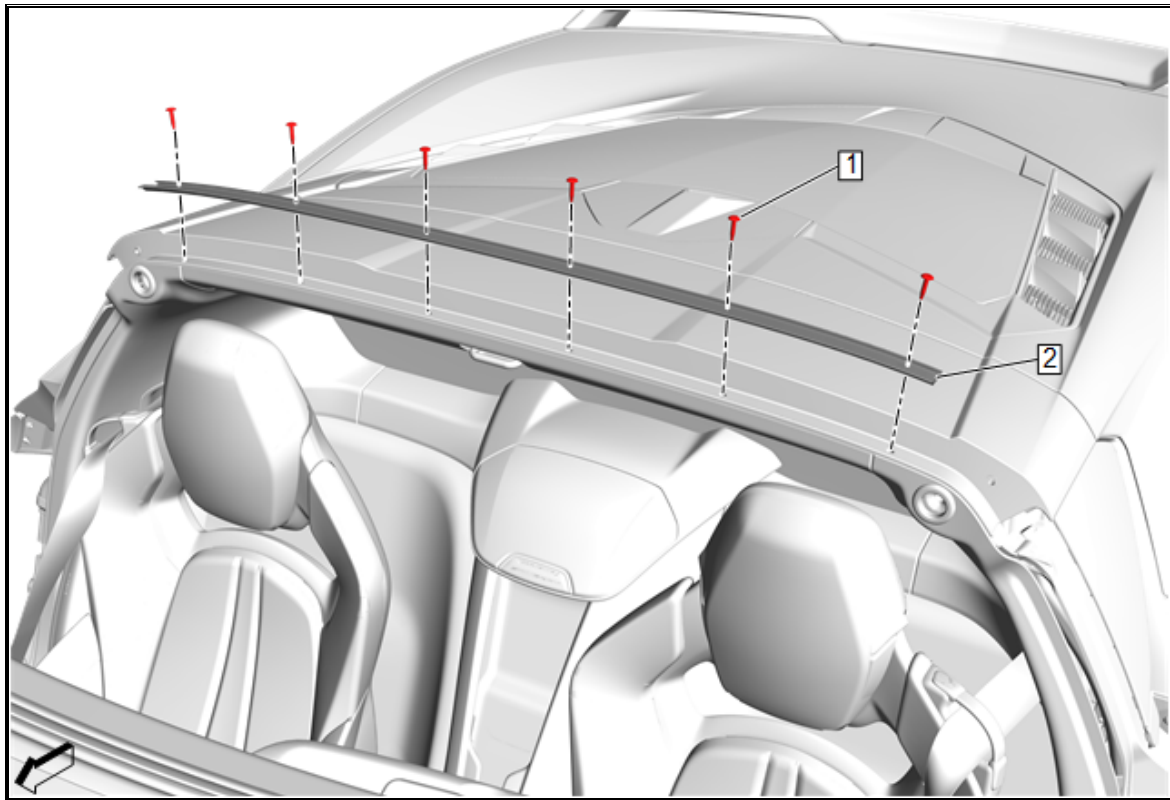
5. Slide the roof lift off panel (1) forward to disengage the roof lift off panel locating pins (2).
6. Remove the roof lift off panel (1), and place on a cleaned prepared surface.



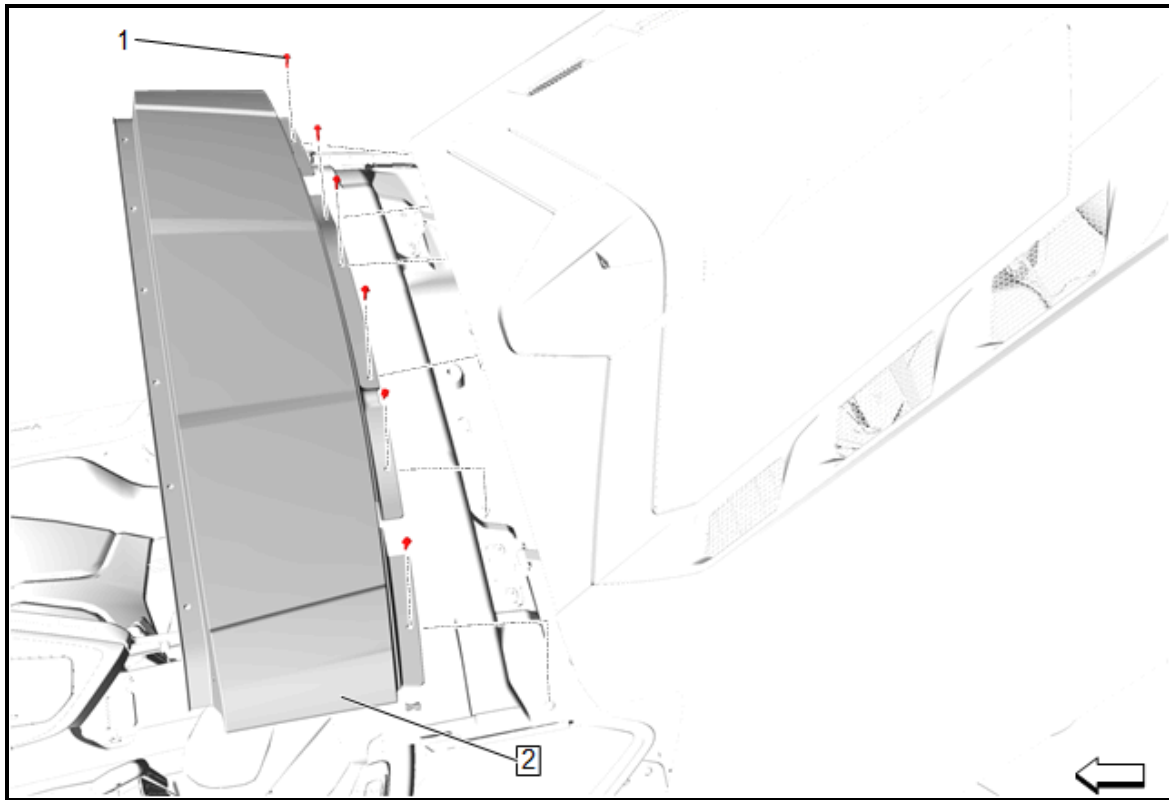
7. Reposition the roof lift off panel/window rear weatherstrip (2) to access the roof lift off panel/window rear weatherstrip retainer bolts (1).
8. Roof Lift Off Panel/Window Rear Weatherstrip Retainer Bolt (1) » Remove [2x]



9. Release the retaining tabs.
10. Roof Lift Off Panel/Window Rear Weatherstrip (1) » Remove

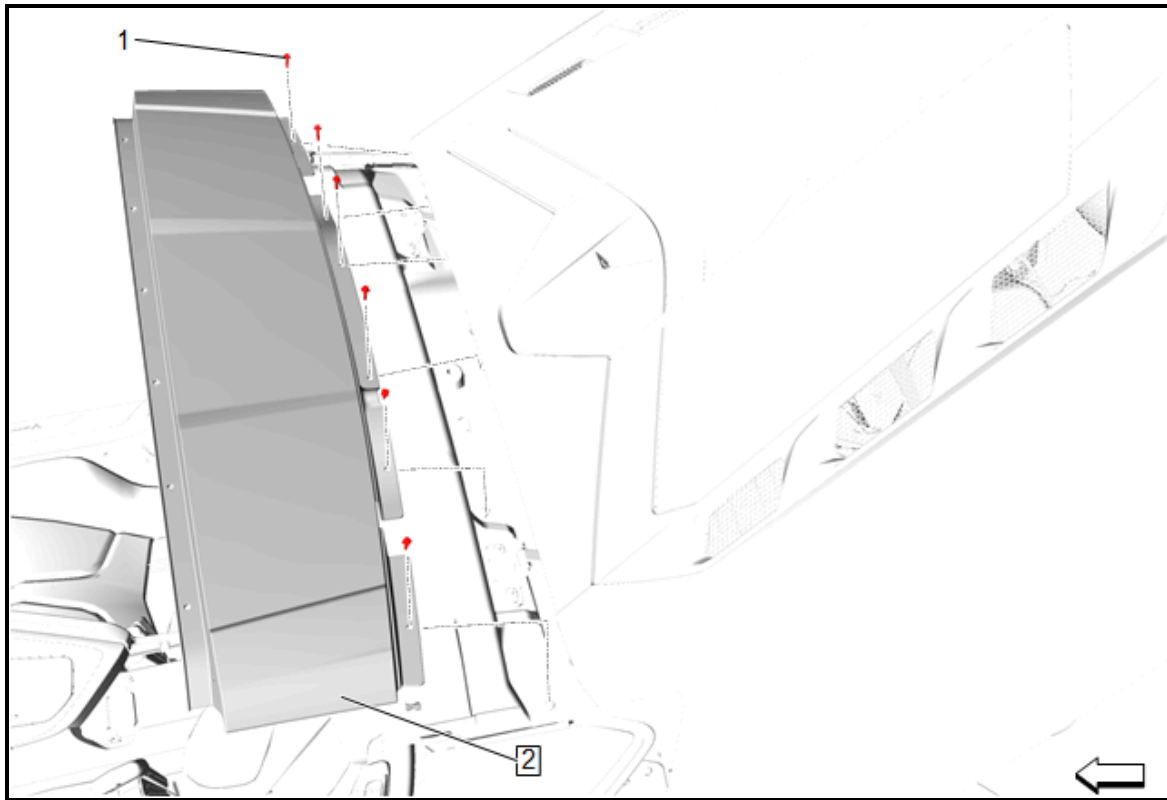


11. Remove the six bolts (1) from the window rear weatherstrip retainer.
12. Remove the window rear weatherstrip retainer (2) from roof panel rear molding.



13. Remove the six bolts (1) from the roof panel rear molding (2).
14. Remove the roof panel rear molding (2) from vehicle.

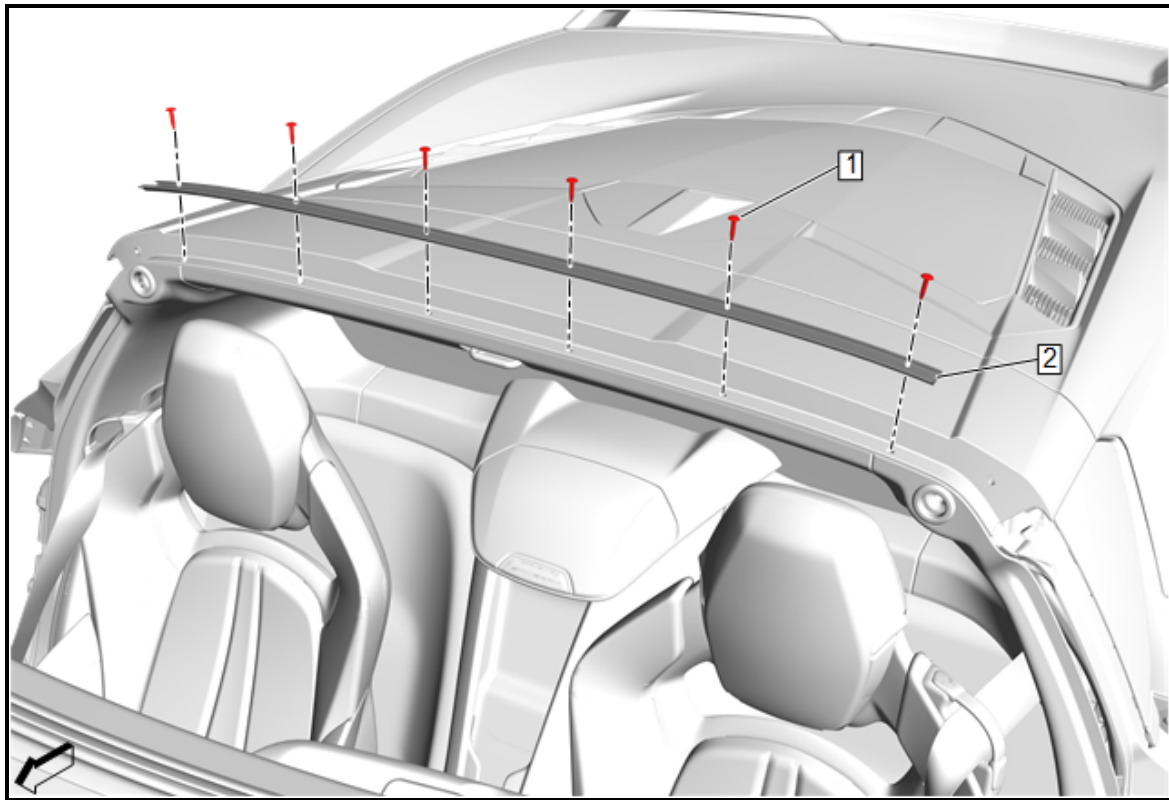
Installation Procedure



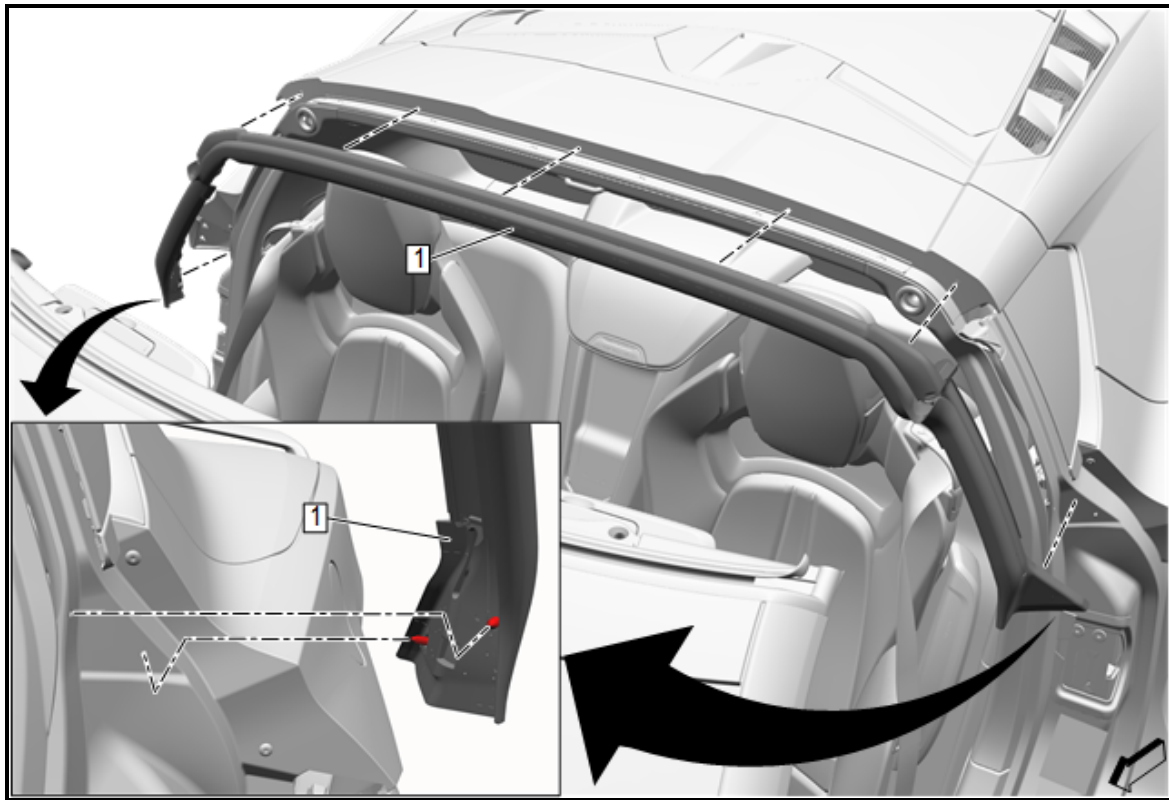
1. Install the new roof panel rear molding (2) to vehicle.

Caution: Use the correct fastener in the correct location. Replacement fasteners must be the correct part number for that application. Fasteners requiring replacement or fasteners requiring the use of thread locking compound or sealant are identified in the service procedure. Do not use paints, lubricants, or corrosion inhibitors on fasteners or fastener joint surfaces unless specified. These coatings affect fastener torque and joint clamping force and may damage the fastener. Use the correct tightening sequence and specifications when installing fasteners in order to avoid damage to parts and systems.

2. Install the six bolts (1) to the roof panel rear molding (2). Tighten the bolts to 2.5 N.m (22 lb in).

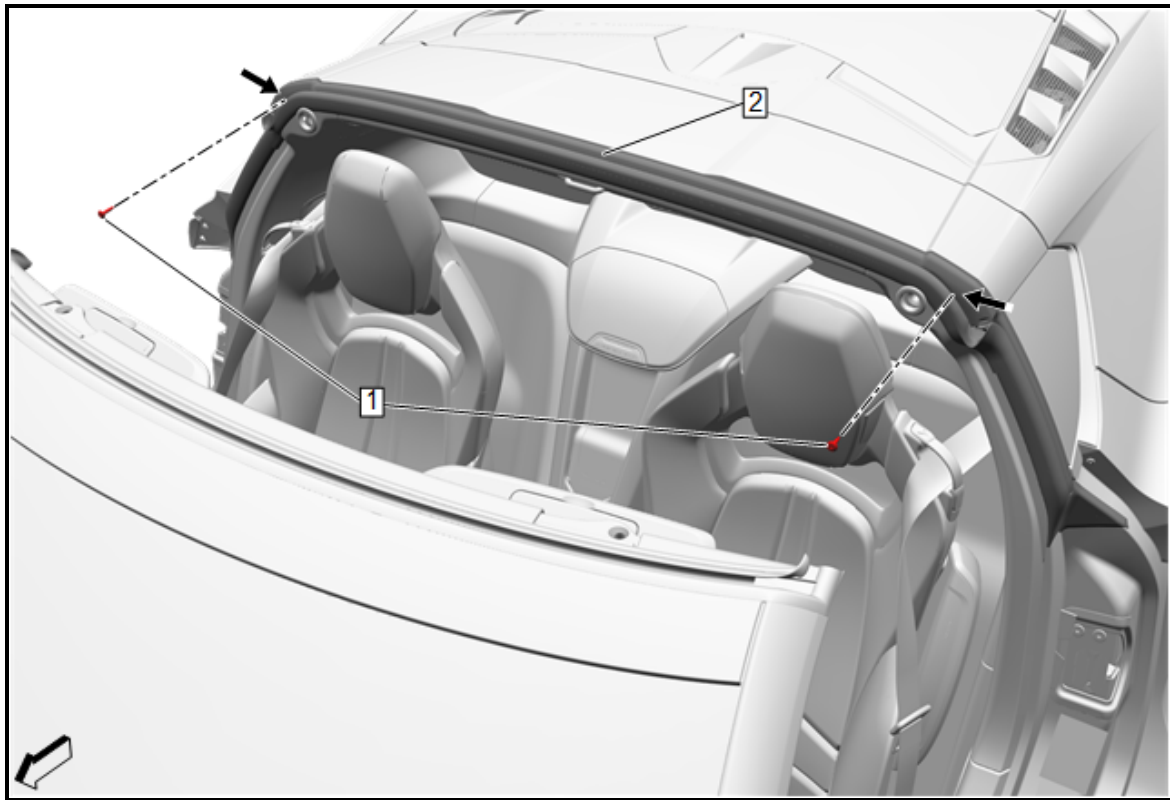


3. Reinstall the window rear weatherstrip retainer (2) to the roof panel rear molding.
4. Install the six bolts (1) to the window rear weatherstrip retainer. Tighten the bolts to 2.5 N.m (22 lb in).
5. Clean the panel surface with a 50/50 mixture of isopropyl alcohol and water by volume on a dampened lint free cloth removing all traces of the old weatherstrip.
6. Apply a thin continuous bead of weatherstrip sealant inside the forward lip of the lid.
7. Apply a bead of sealant on the lower side of the lip, from the corners up approximately 400 mm (16 in).

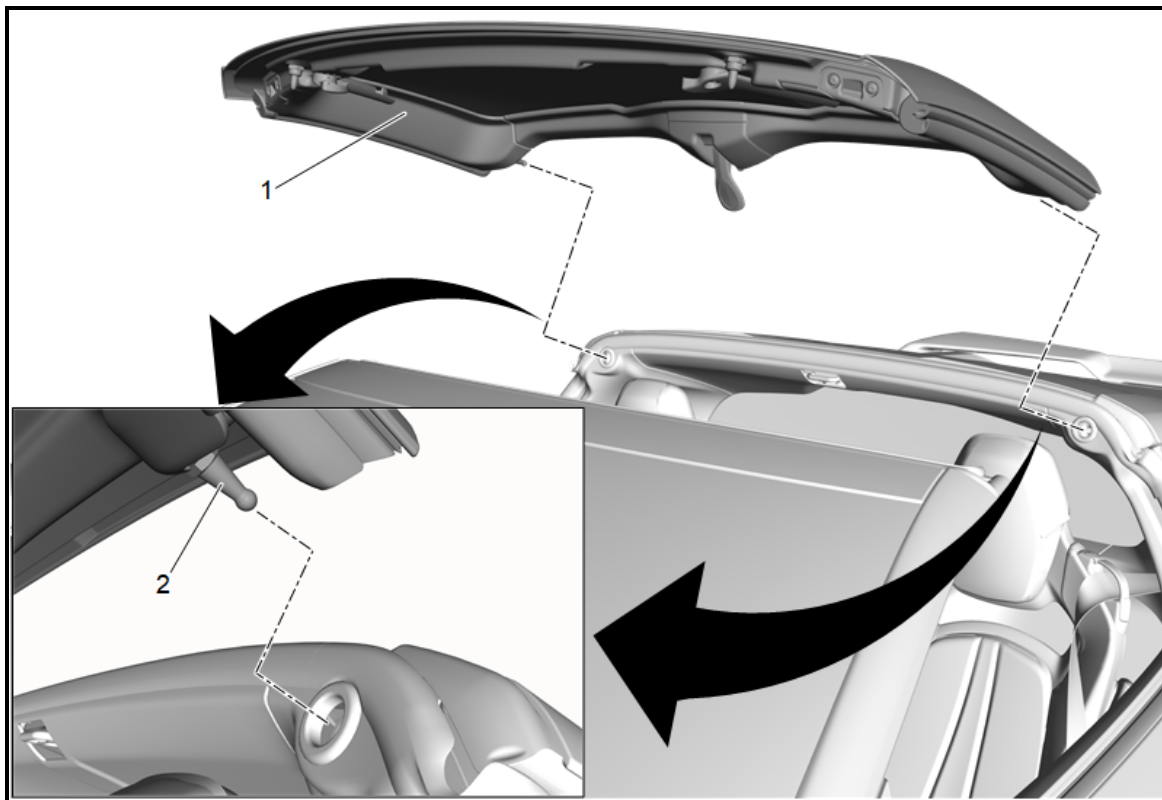


Note: Insert the weatherstrip into the weatherstrip retainer starting in the center and working outwards and down the sides.

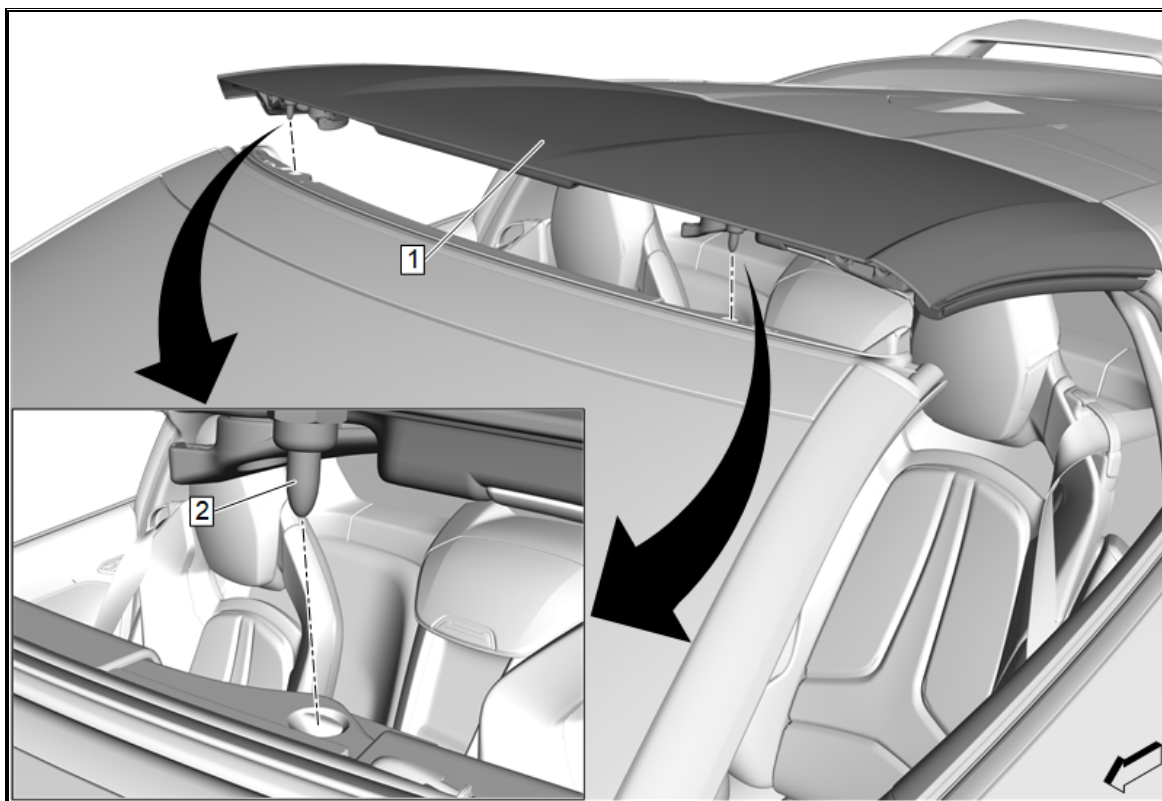
8. Roof Lift Off Panel/Window Rear Weatherstrip (1) » Install
9. Secure the retaining tabs.



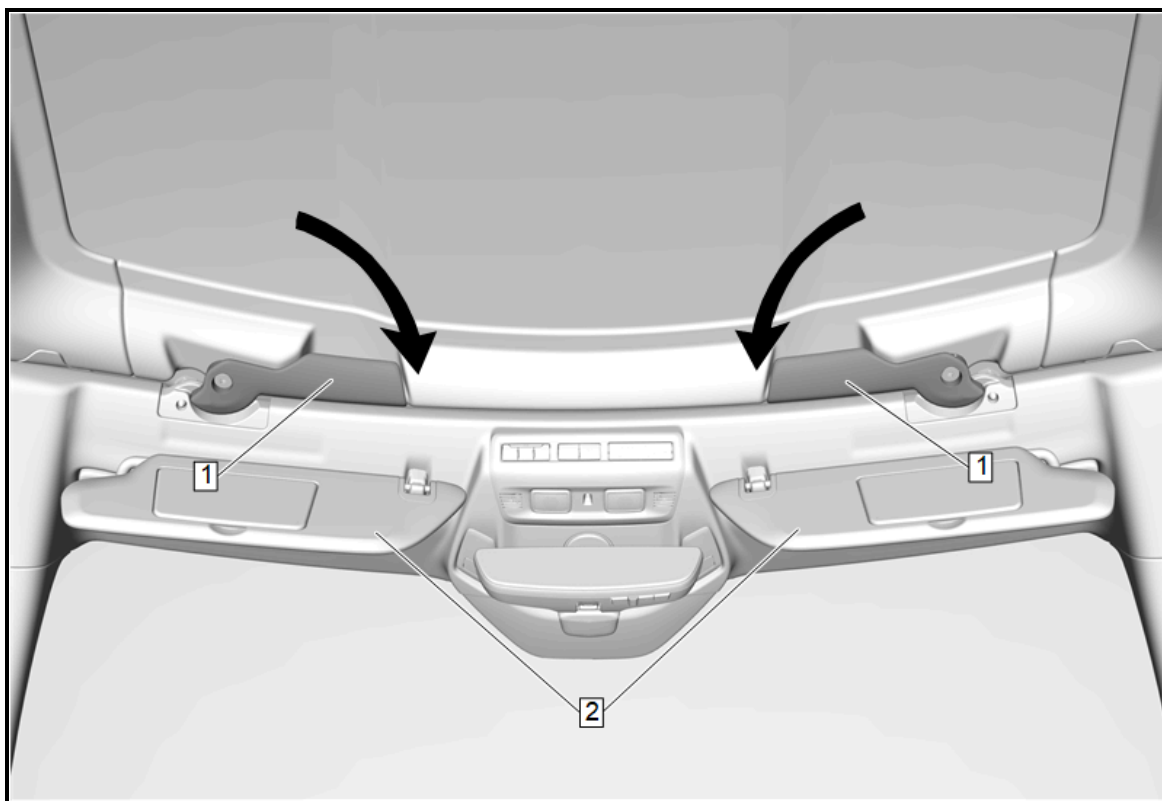
10. Roof Lift Off Panel/Window Rear Weatherstrip Retainer Bolt (1) » Install and tighten [2x] **2.5 N•m (22 lb in)**



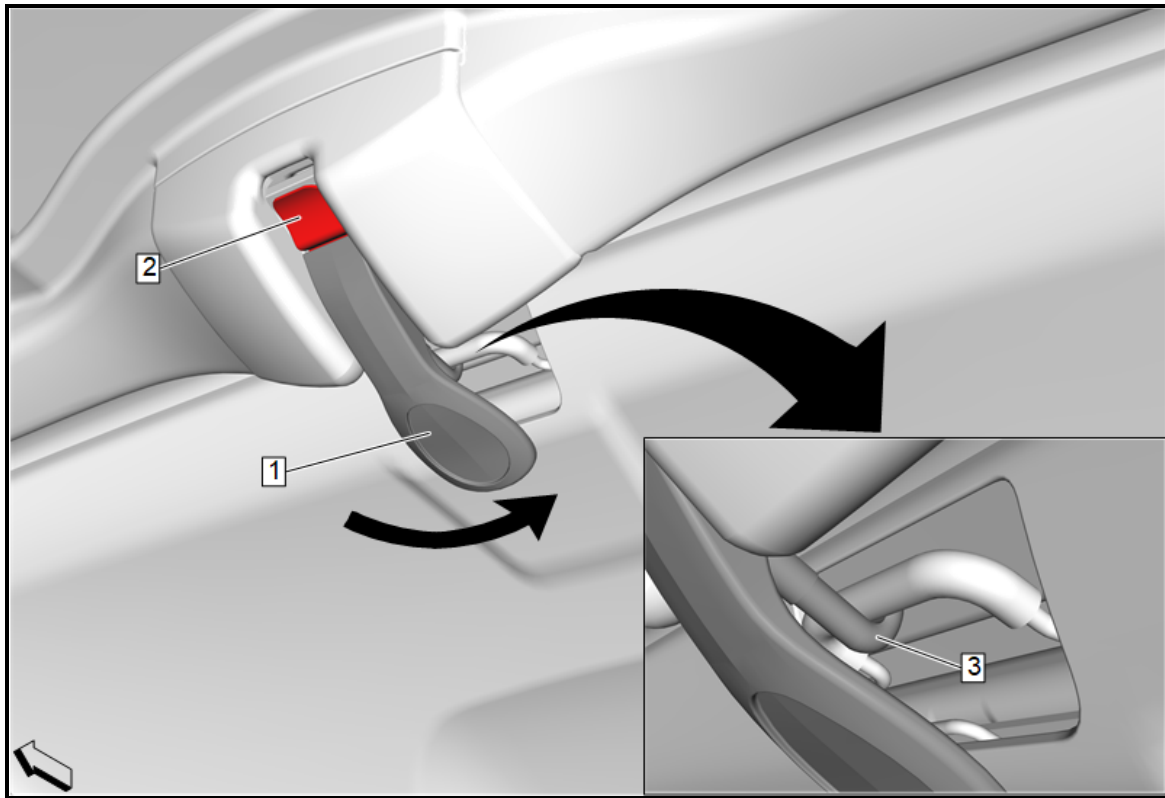
11. Slide the roof lift off panel (1) rearward to engage the roof lift off panel locating pins (2).



12. Gently lower the roof lift off panel (1) and engage the roof lift off panel locating pins (2).
13. Adjust the roof lift off panel if necessary. Refer to [Roof Lift Off Panel Adjustment](#) in Vehicle Service Manual.



- Note:** There will not be an audible click, but the latches will firmly fit in place by detent.
14. Rotate the roof lift off panel/window latch handles (1) inward until full travel is reached.
 15. Place each sunshade (2) back to it's proper upright position.



Note:

- Ensure the latch clamp is aligned to the roof lift off panel rear striker before engaging latch.
- There will be an audible click from the rear latch release button, identifying that the latch has locked.

16. Engage the latch clamp (3) and firmly secure the roof lift off panel/window rear latch (1) upward to the fully closed position.
17. Close the driver and passenger side doors.
18. If additional adjustments are required, repeat installation step 13.
19. Perform a water test to ensure there are no leaks.