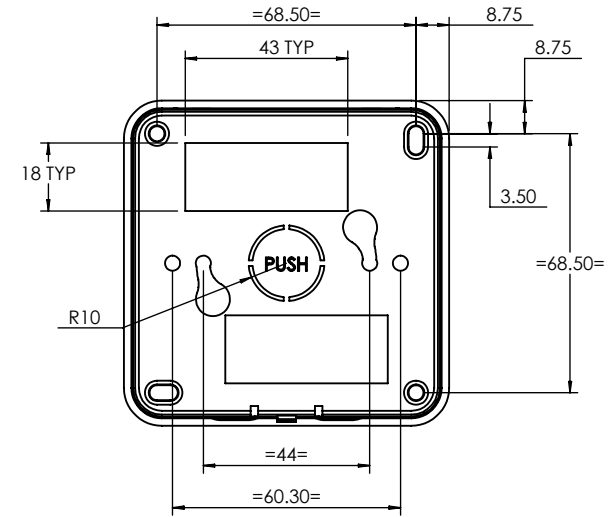
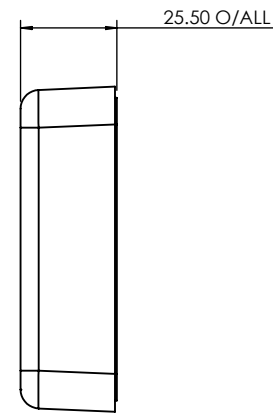
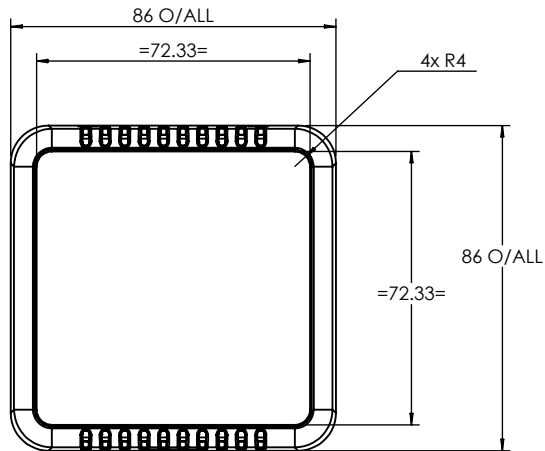
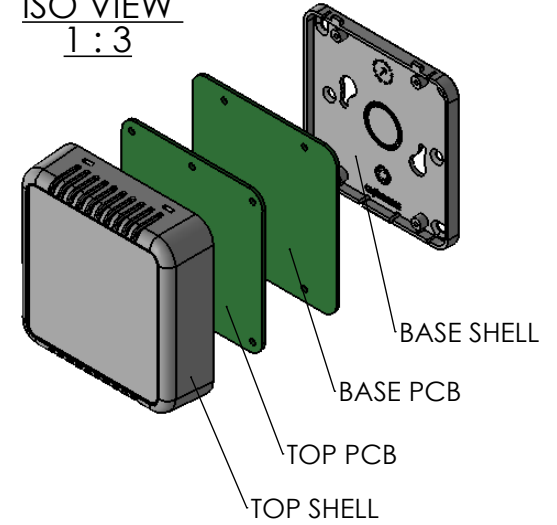


ISO VIEW
1:3



CAMDENBOSS
ELECTRONICS & ENCLOSURES
JAMES CARTER RD, MILDENHALL, SUFFOLK. IP28 7DE
TEL: 01638 716101 FAX: 01638 716554
EMAIL: Sales@CamdenBoss.com
WEB: www.CamdenBoss.com

UNLESS OTHERWISE SPECIFIED:
DIMENSIONS ARE IN MILLIMETERS

DO NOT SCALE DRAWING

REVISION. ○

GENERAL TOLERANCES +/- 0.2

TITLE:

**DRAWING FOR VENTED ROOM
SENSOR**

FINISH. LIGHT SPARK

DWG NO.

CBR01VWH

A4

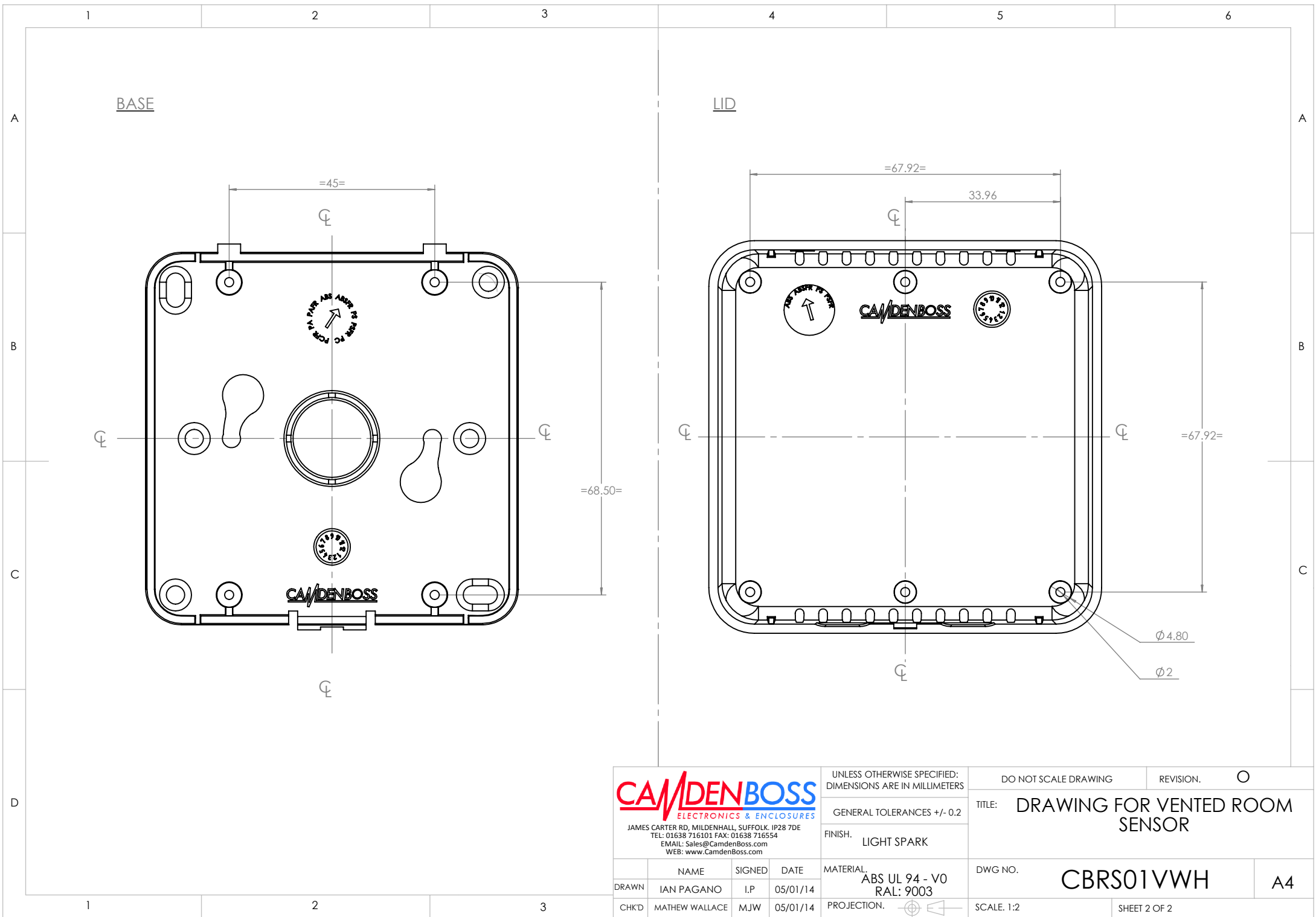
	NAME	SIGNED	DATE
DRAWN	IAN PAGANO	I.P.	05/01/14
CHK'D	MATHEW WALLACE	M.J.W.	05/01/14

MATERIAL. ABS UL 94 - V0
RAL: 9003

PROJECTION.

SCALE: 1:2

SHEET 1 OF 2



<p>JAMES CARTER RD, MILDENHALL, SUFFOLK. IP28 7DE TEL: 01638 716101 FAX: 01638 716554 EMAIL: Sales@CamdenBoss.com WEB: www.CamdenBoss.com</p>				UNLESS OTHERWISE SPECIFIED: DIMENSIONS ARE IN MILLIMETERS		DO NOT SCALE DRAWING		REVISION. ○	
				GENERAL TOLERANCES +/- 0.2		TITLE: DRAWING FOR VENTED ROOM SENSOR			
				FINISH. LIGHT SPARK		DWG NO. CBR01VWH		A4	
MATERIAL. ABS UL 94 - V0 RAL: 9003		SCALE: 1:2		SHEET 2 OF 2					
DRAWN	IAN PAGANO	I.P.	05/01/14	CHK'D	MATHEW WALLACE	M.J.W.	05/01/14	PROJECTION.	