

SUZUKI

PARTS CATALOGUE

EN125

(LC6PCJK6)

EN125-2ALO

EN125HULO

EN125HUZLO

PRODUCED BY DACHANGJIANG MOTORCYCLE CO. LTD.



Way of Life!

2009-8

1ST EDITION

**INFORMATION
ILLUSTRATION INDEX**

1

**ENGINE
TRANSMISSION**

2

ELECTRICAL

3

BODY

4

PARTS NUMBER INDEX

5

PREFACE

When it becomes necessary to replace parts on SUZUKI MOTORCYCLES, always use SUZUKI GENUINE PARTS which have passed a strict inspection which guarantees quality and performance.

This parts catalogue covers the list of all service parts for SUZUKI EN125-2AK9, EN125HUK9, EN125HUZK9.

INSTRUCTIONS FOR QUOTING THE CATALOGUE

1. DIMENSIONS

Dimensions of the parts in this catalogue are indicated in unit millimeters.

2. ABBREVIATIONS

Abbreviations used in this catalogue are as follows:

AR	: As required	NT	: Number of teeth
ASSY	: Assembly	OPT	: Optional
E.No.	: Engine number	OS	: Over size
F.No.	: Frame number	STD	: Standard
D	: Diameter of material	T	: Thickness
ID	: Inside diameter	US	: Under size
OD	: Outside diameter	W	: Width
L	: Length		
LH	: Left hand side		
RH	: Right hand side		
~100045	: Up to F.No.100045		
100046~	: From F.No.100046		

12 x 34 x 5.6 Figures in the description column show the dimensions of parts.

ID OD T(or W, L)

→12345-56781 (Parts No.) : indicates that the parts number was changed to 12345-56781 and the new parts are interchangeable with the former ones but the former ones are not interchangeable with new ones.

↔12345-56781 (Parts No.) : indicates that the former and new parts are interchangeable with each other and both are usable.

3. INNER PARTS OF ASSEMBLY

Part name with a dot (.) in front as shown in the description column indicates the component of the assembly also available individually.

4. MODIFICATION NOTICE

A parts bulletin will be sent to you on all occasions when changes in parts occur, including interchangeable modifications between new parts and old ones.

5. NOTE

- 5-1. There are some different parts from those of production models among spare parts for the administrative reasons and common use of them with other models.
- 5-2. In respect of rubber hoses and vinyl tubes, please be sure to use them by cutting off according to the length mentioned on parts catalogue or what is actually required on the vehicle.
- 5-3. Note that the drawings on the illustration page are for ready reference of spare parts number, not to be used as an assembly manual.
When assembling, use "SUZUKI SERVICE MANUAL".

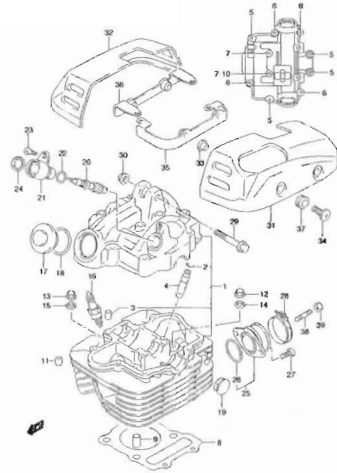
6. SPECIFICATION CODE

This catalogue contains the parts for the model designed for the following spec.; spec. code: P71.

7. SERIAL FRAME NUMBER

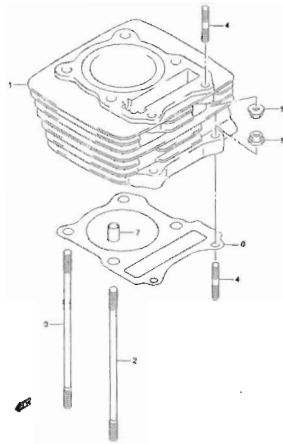
EN125-2AK9 : LC6PCJK64A0800259~
EN125HUK9 : LC6PCJK64A0800259~
EN125HUZK9 : LC6PCJK64A0800259~

FIG.1 CYLINDER HEAD (B-2)



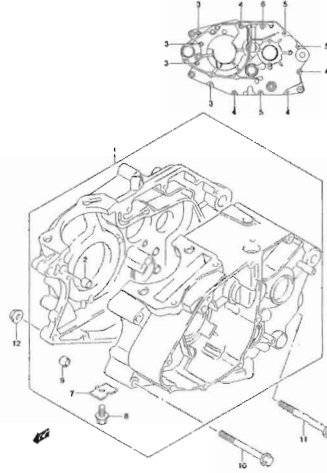
EN125-2AK9 P71_001
CYLINDER HEAD

FIG.2 CYLINDER (B-4)



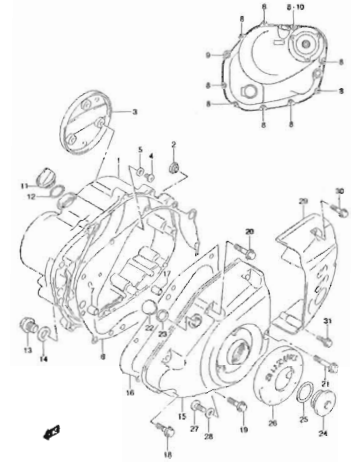
EN125-2AK9 P71_002
CYLINDER

FIG.3 CRANKCASE (B-5)



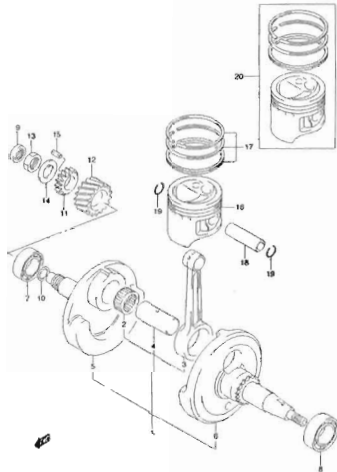
EN125-2AK9 P71_003
CRANKCASE

FIG.4 CRANKCASE COVER (B-6)



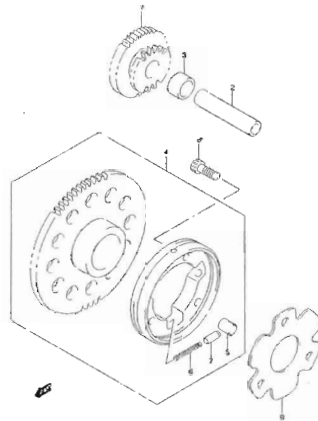
EN125-2AK9 P71_004
CRANKCASE COVER

FIG.5 CRANKSHAFT (B-8)



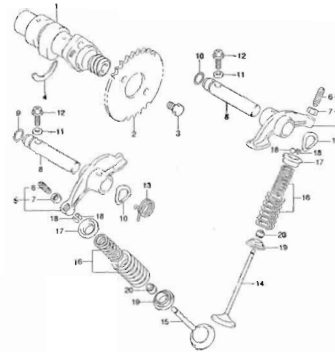
EN125-2AK9 P71_005
CRANKSHAFT

FIG.6 STARTER CLUTCH (B-10)



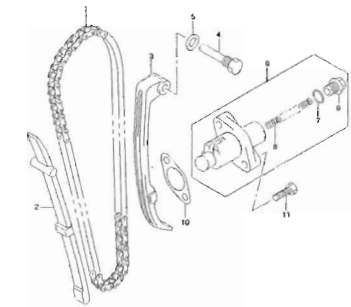
EN125-2AK9 P71_006
STARTER CLUTCH

FIG.7 CAM SHAFT - VALVE (C-2)



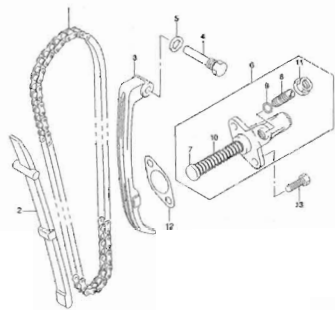
EN125-2AK9 P71_007
CAM SHAFT-VALVE

FIG.8 CAM CHAIN [EN125-2AK9] (C-3)



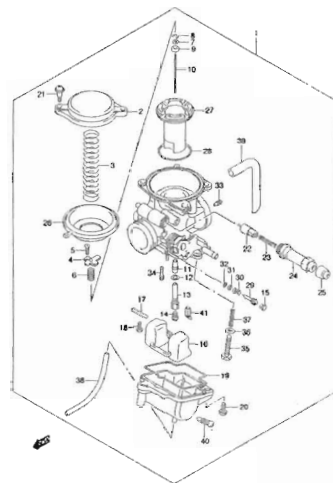
EN125-2AK9 P71_008
CAM CHAIN

FIG. 9 CAM CHAIN (EN125HUK9/HUZK9) (C-4)



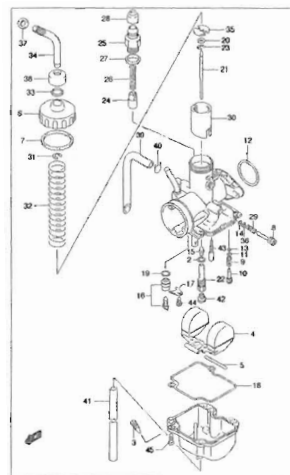
EN125-2MG P71_000
CAM CHAIN

FIG. 10 CARBURETOR (EN125-2AK9) (C-5)



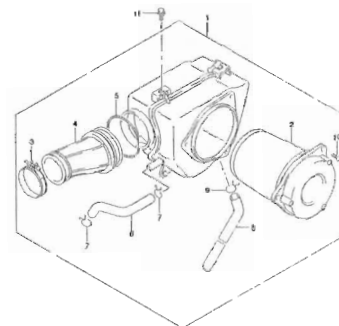
EN125-2MG P71_010
CARBURETOR

FIG. 11 CARBURETOR (EN125HUK9/HUZK9) (C-7)



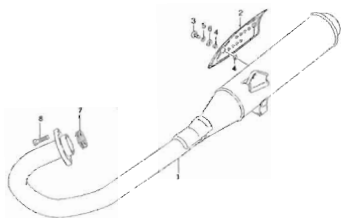
EN125-2MG P71_011
CARBURETOR

FIG. 12 AIR CLEANER (C-9)



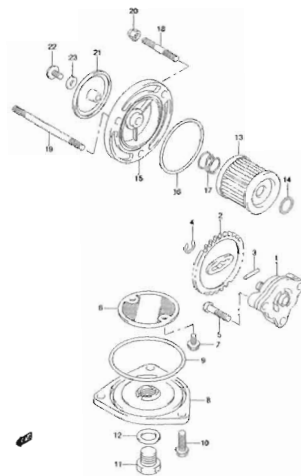
EN125-2MG P71_012
AIR CLEANER

FIG. 13 MUFFLER (C-10)



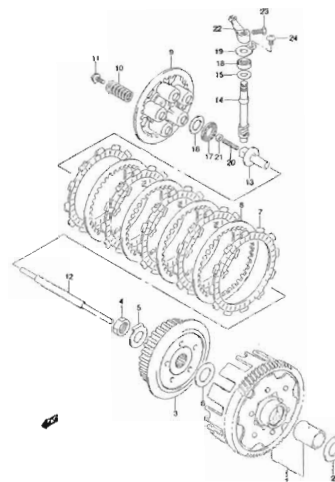
EN125-2MG P71_013
MUFFLER

FIG. 14 OIL PUMP (C-11)



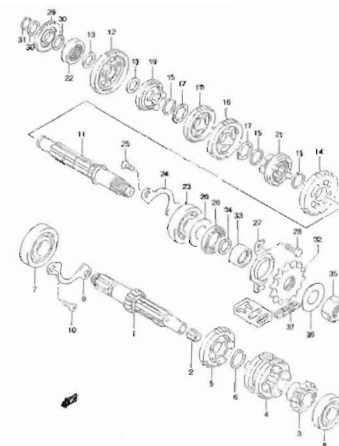
EN125-2MG P71_014
OIL PUMP

FIG. 15 CLUTCH (D-2)



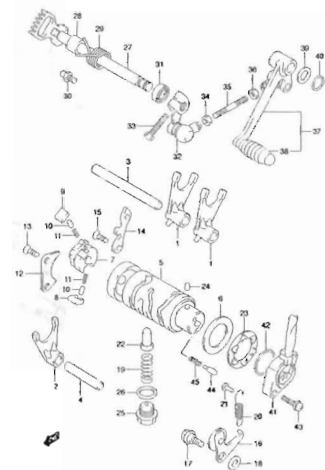
EN125-2MG P71_015
CLUTCH

FIG. 16 TRANSMISSION (D-3)



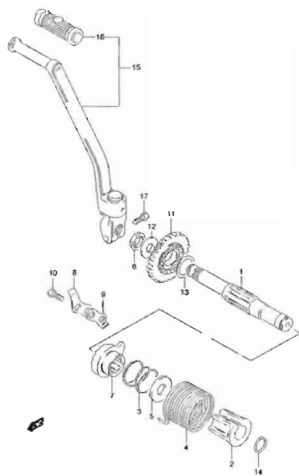
EN125-2MG P71_016
TRANSMISSION

FIG.17 GEAR SHIFTING (D-5)



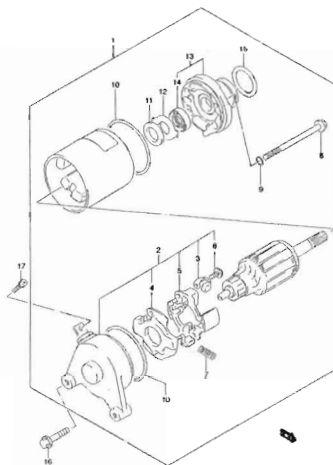
EN125-2MK9 P71_017
GEAR SHIFTING

FIG.18 KICK STARTER (EN125HUK9/HUK9) (D-7)



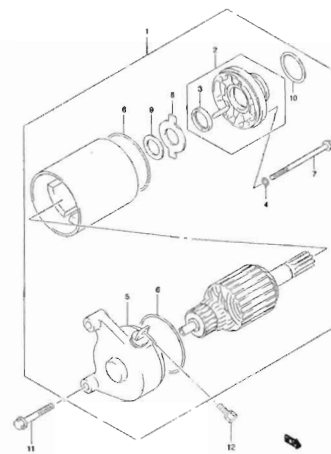
EN125-2MK9 P71_018
KICK STARTER

FIG.19 STARTING MOTOR (DAICHOKOU) (D-8)



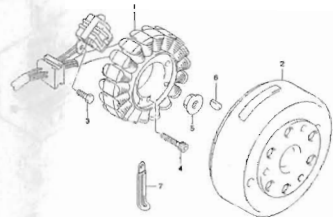
EN125-2MK9 P71_019
STARTING MOTOR

FIG.20 STARTING MOTOR (DENSO) (D-9)



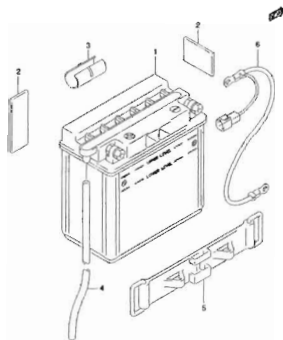
EN125-2MK9 P71_020
STARTING MOTOR

FIG.21 MAGNETO (D-10)



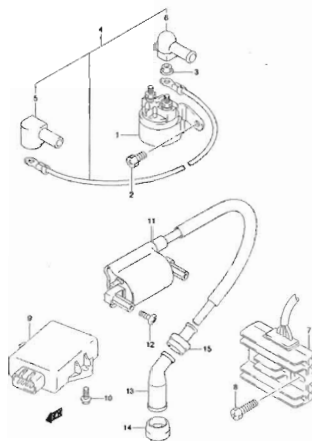
EN125-2MK9 P71_021
MAGNETO

FIG.22 BATTERY (D-11)



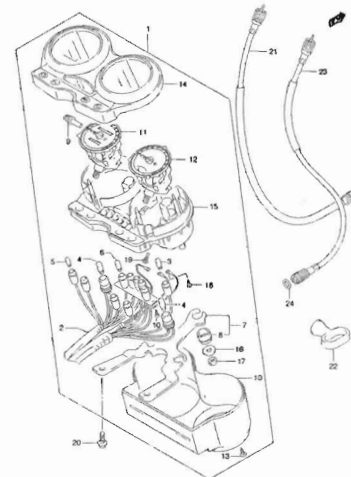
EN125-2MK9 P71_022
BATTERY

FIG.23 ELECTRICAL (D-12)



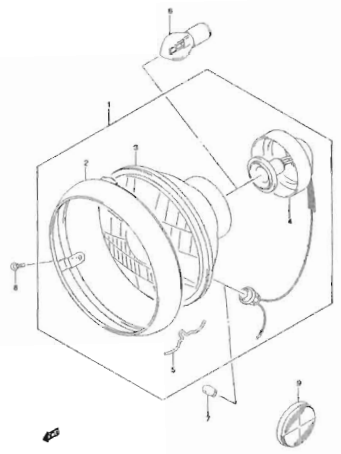
EN125-2MK9 P71_023
ELECTRICAL

FIG.24 SPEEDOMETER (D-13)



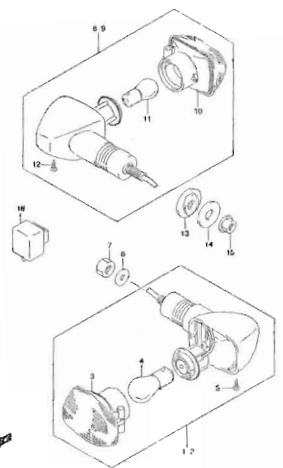
EN125-2MK9 P71_024
SPEEDOMETER

FIG.25 HEADLAMP (E-2)



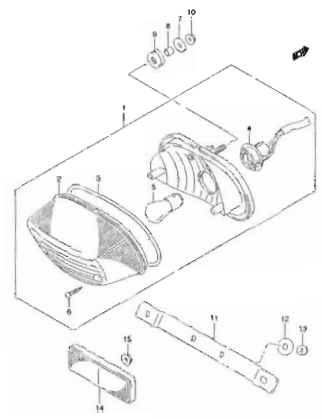
EN125-2M09 P11_025
HEADLAMP

FIG.26 TURN SIGNAL LAMP (E-3)



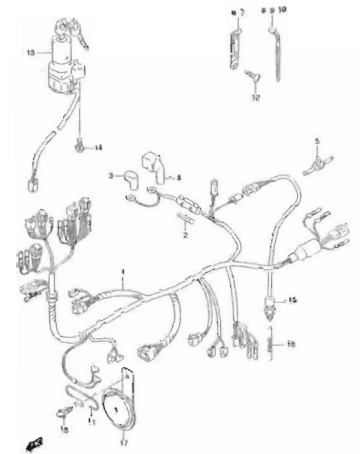
EN125-2M09 P11_026
TURN SIGNAL LAMP

FIG.27 REAR COMBINATION LAMP (E-4)



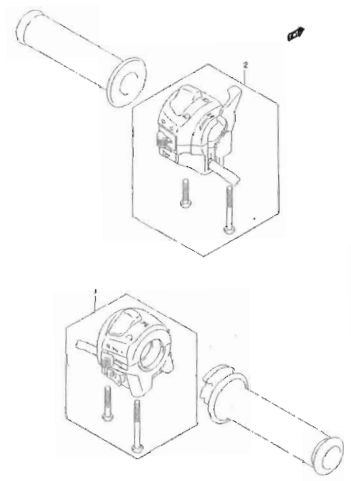
EN125-2M09 P11_027
REAR COMBINATION LAMP

FIG.28 WIRING HARNESS (E-5)



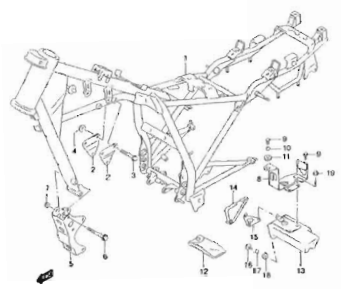
EN125-2M09 P11_028
WIRING HARNESS

FIG.29 HANDLE SWITCH (E-6)



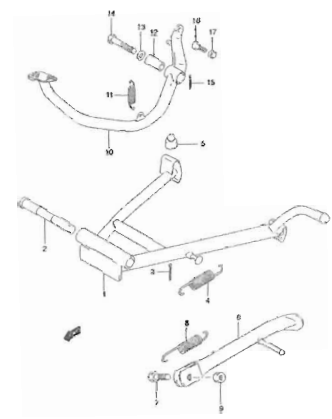
EN125-2M09 P11_029
HANDLE SWITCH

FIG.30 FRAME (F-2)



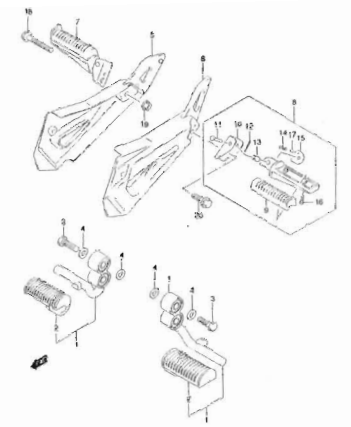
EN125-2M09 P11_030
FRAME

FIG.31 STAND (F-3)



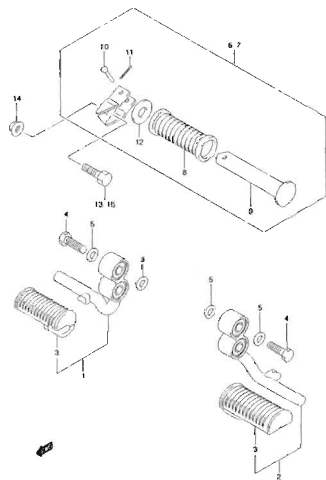
EN125-2M09 P11_031
STAND

FIG.32 FOOTREST (EN125-2A) (F-4)



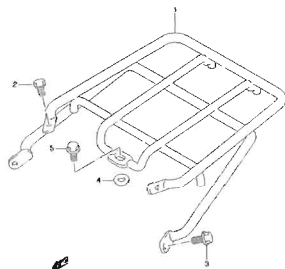
EN125-2M09 P11_032
FOOTREST

FIG.33 FOOTREST (EN125HU/HUZ) (F-5)



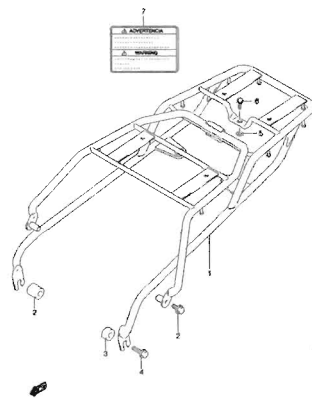
EN125-2AK0 P71_035
FOOTREST

FIG.34 CARRIER (EN125-2A) (F-6)



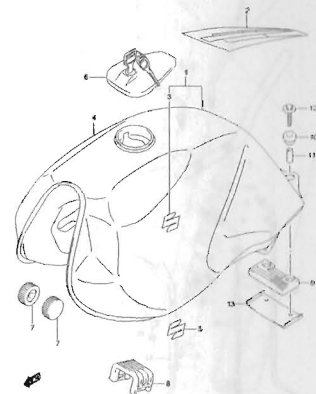
EN125-2AK0 P71_034
CARRIER

FIG.35 CARRIER (EN125HU/HUZ) (F-7)



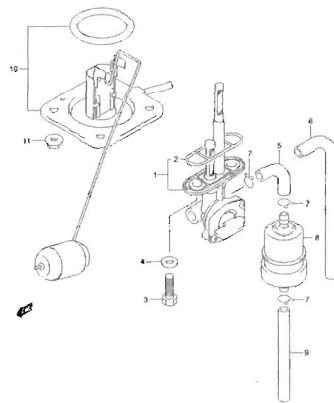
EN125-2AK0 P71_035
CARRIER

FIG.36 FUEL TANK (F-8)



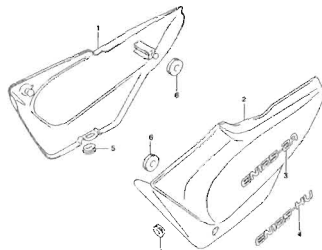
EN125-2AK0 P71_038
FUEL TANK

FIG.37 FUEL COCK (F-9)



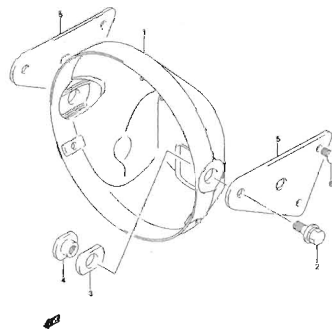
EN125-2AK0 P71_037
FUEL COCK

FIG.38 FRAME COVER (F-10)



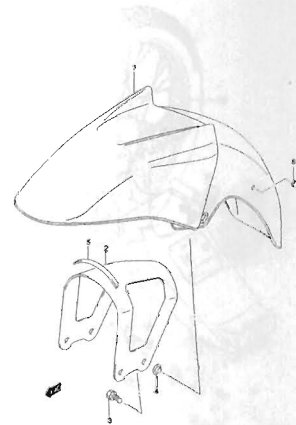
EN125-2AK0 P71_039
FRAME COVER

FIG.39 HEADLAMP HOUSING (F-11)



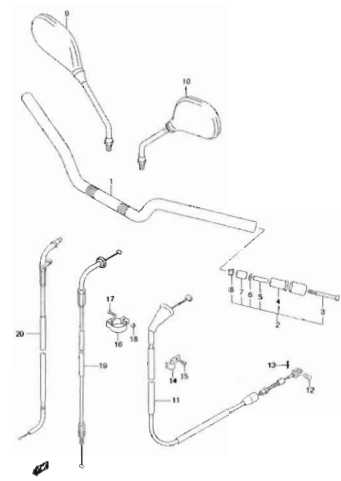
EN125-2AK0 P71_036
HEADLAMP HOUSING

FIG.40 FRONT FENDER (F-12)



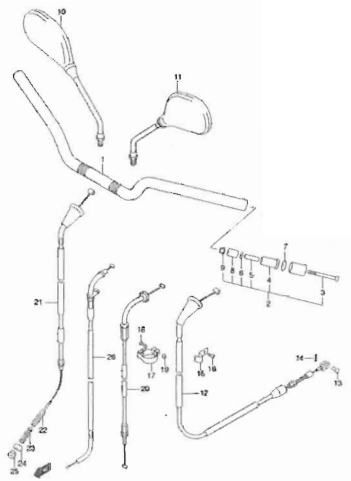
EN125-2AK0 P71_040
FRONT FENDER

FIG.41 HANDLEBAR (EN125-2A) (F-13)



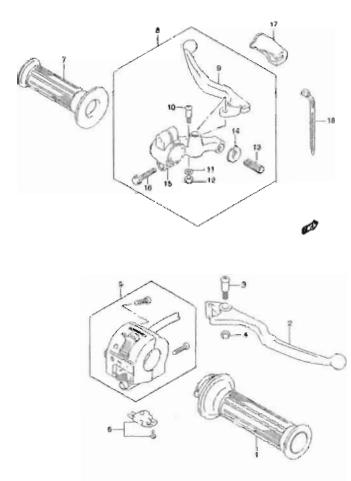
EN125-2AGD P71_041
HANDLEBAR

FIG.42 HANDLEBAR (EN125HU/HUZ) (F-14)



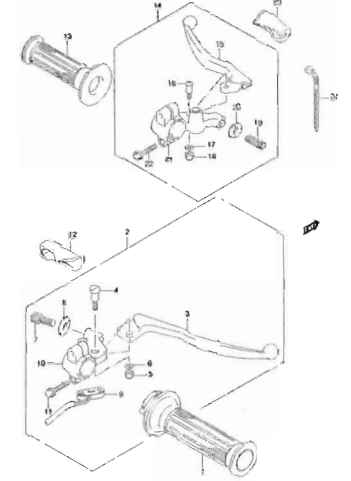
EN125-2AGD P71_042
HANDLEBAR

FIG.43 HANDLE LEVER (EN125-2A) (G-2)



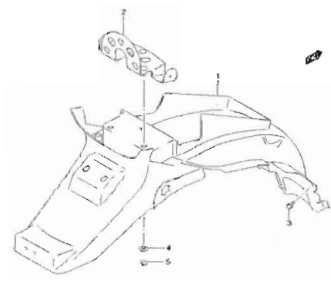
EN125-2AGD P71_043
HANDLE LEVER

FIG.44 HANDLE LEVER (EN125HU/HUZ) (G-3)



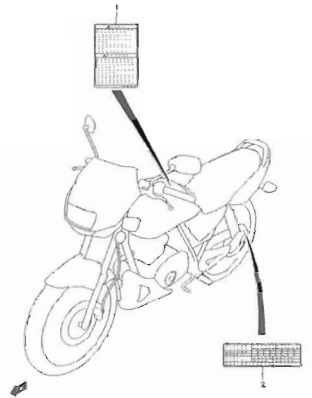
EN125-2AGD P71_044
HANDLE LEVER

FIG.45 REAR FENDER (G-4)



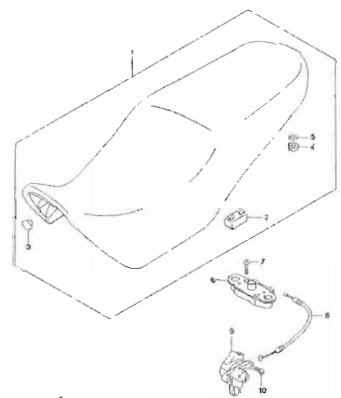
EN125-2AGD P71_045
REAR FENDER

FIG.46 LABEL (G-5)



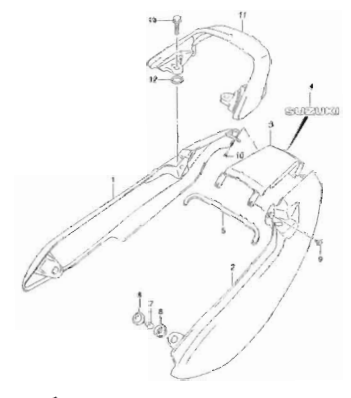
EN125-2AGD P71_046
LABEL

FIG.47 SEAT (H-2)



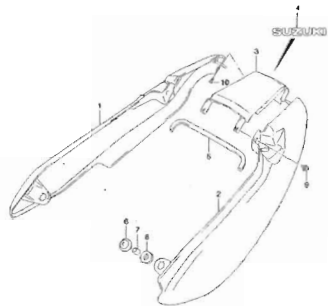
EN125-2AGD P71_047
SEAT

FIG.48 SEAT TAIL COVER (EN125-2AK9) (H-3)



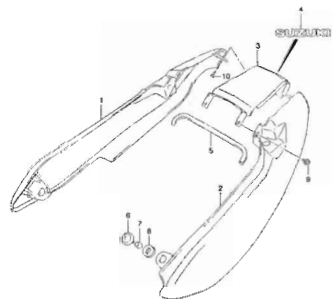
EN125-2AGD P71_048
SEAT TAIL COVER

FIG.49 SEAT TAIL COVER (EN125HUK9) (H-4)



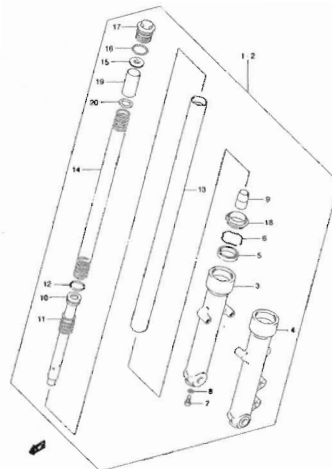
EN125-2M6 P71_061
SEAT TAIL COVER

FIG.50 SEAT TAIL COVER (EN125HUZK9) (H-5)



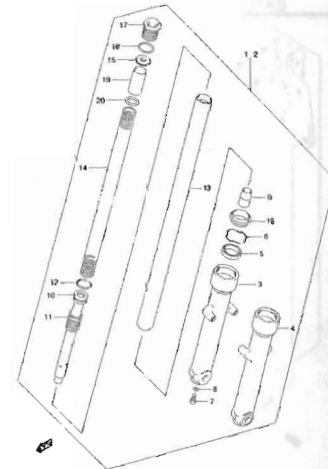
EN125-2M6 P71_062
SEAT TAIL COVER

FIG.51 FRONT DAMPER (EN125-2AK9) (H-6)



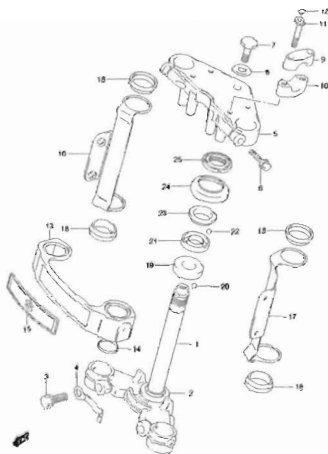
EN125-2M6 P71_051
FRONT DAMPER

FIG.52 FRONT DAMPER (EN125HUK9/HUZK9) (H-7)



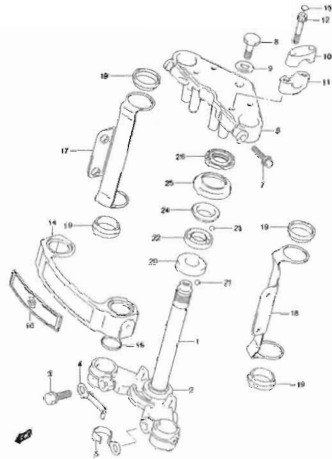
EN125-2M6 P71_052
FRONT DAMPER

FIG.53 STEERING STEM (EN125-2AK9) (H-8)



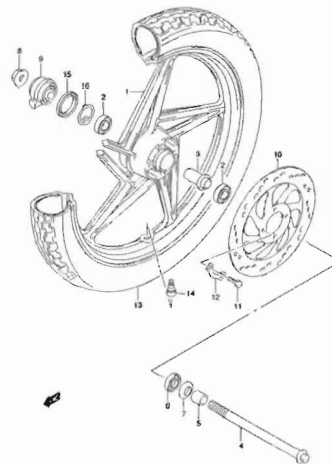
EN125-2M6 P71_053
STEERING STEM

FIG.54 STEERING STEM (EN125HUK9/HUZK9) (H-9)



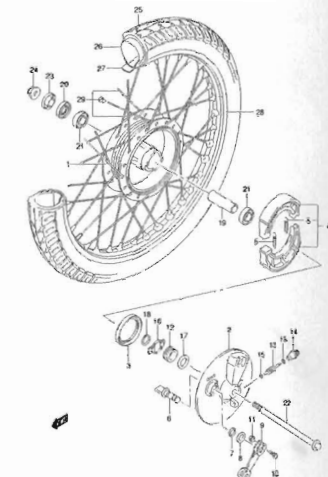
EN125-2M6 P71_054
STEERING STEM

FIG.55 FRONT WHEEL (EN125-2AK9) (I-2)



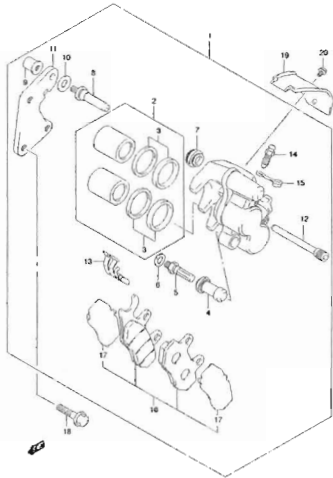
EN125-2M6 P71_055
FRONT WHEEL

FIG.56 FRONT WHEEL (EN125HUK9/HUZK9) (I-3)



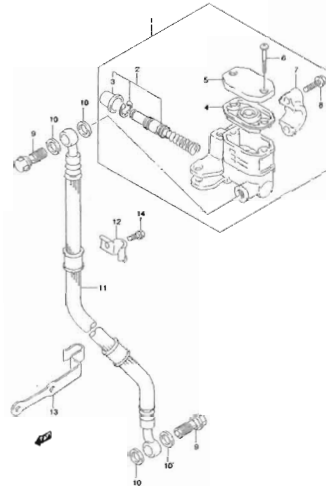
EN125-2M6 P71_056
FRONT WHEEL

FIG.57 FRONT CALIPER (EN125-2AK9) (I-4)



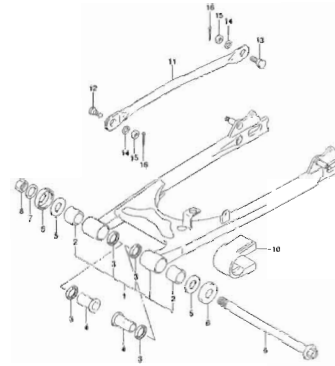
EN125-2AK9 P71_057
FRONT CALIPER

FIG.58 FRONT MASTER CYLINDER (EN125-2AK9) (I-5)



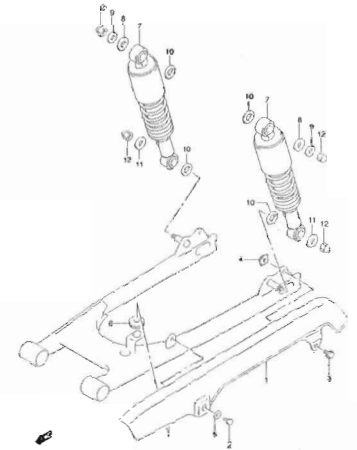
EN125-2AK9 P71_058
FRONT MASTER CYLINDER

FIG.59 REAR SWINGING ARM (I-6)



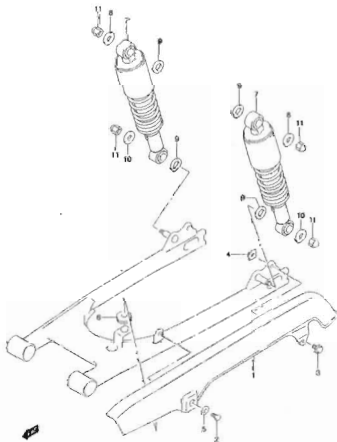
EN125-2AK9 P71_059
REAR SWINGING ARM

FIG.60 CHAIN CASE (EN125-2AK9) (I-7)



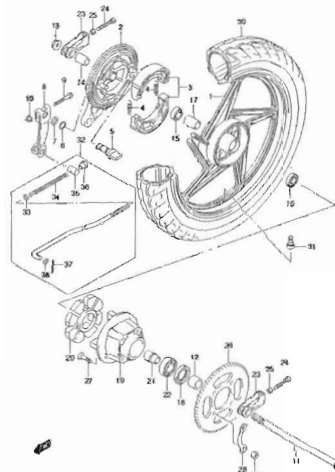
EN125-2AK9 P71_060
CHAIN CASE

FIG.61 CHAIN CASE (EN125HUK9/HUZK9) (I-8)



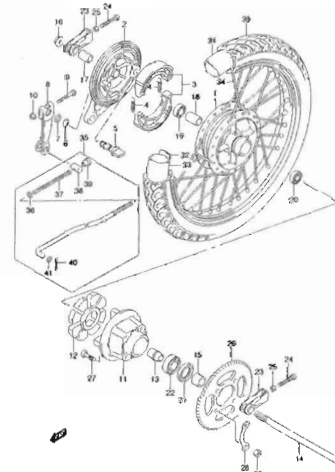
EN125-2AK9 P71_061
CHAIN CASE

FIG.62 REAR WHEEL (EN125-2AK9) (J-2)



EN125-2AK9 P71_062
REAR WHEEL

FIG.63 REAR WHEEL (EN125HUK9/HUZK9) (J-4)



EN125-2AK9 P71_063
REAR WHEEL

FIG.1

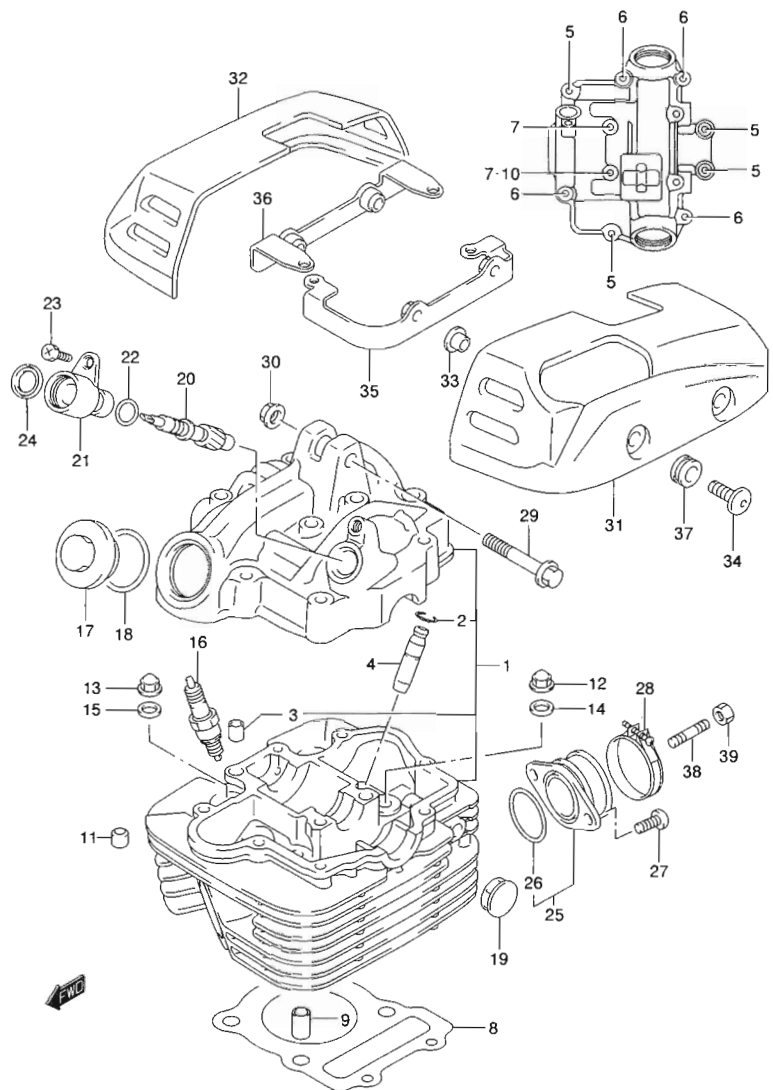


FIG.1 (B-2) CYLINDER HEAD

REF NO.	PART NO.	DESCRIPTION	Q'TY	REMARKS
1-1	11100-12F50	HEAD ASSY, CYLINDER	1	EN125-2AK9
1-2	11100-12F70	HEAD ASSY, CYLINDER	1	EN125HUK9/HUZK9
2	09381-10004	·RING, VALVE GUIDE	2	
3	09206-08001	·PIN	2	
4	11115-12F70	GUIDE, VALVE (OS:0.3)	2	OPT
5	01550-06357	BOLT (6X35)	4	
6-1	01550-06407	BOLT (6X40)	4	EN125-2AK9
6-2	01550-06357	BOLT (6X35)	4	EN125HUK9/HUZK9
7	01550-06607	BOLT (6X60)	2	
8-1	11141-12F50	GASKET, CYLINDER HEAD	1	EN125-2AK9
8-2	11141-05202	GASKET, CYLINDER HEAD	1	EN125HUK9/HUZK9
9	04211-11169	PIN, CYLINDER HEAD	2	
10	09168-06023	WASHER	1	
11-1	11151-45000	PAD, RUBBER	16	EN125-2AK9
11-2	11151-45000	PAD, RUBBER	6	EN125HUK9/HUZK9
12	09159-08049	NUT	2	
13	09159-08049	NUT	2	
14	09168-08032	GASKET (8.5X17X2.3)	2	
15	09168-08032	GASKET (8.5X17X2.3)	2	
16-1	09482-00456	SPARK PLUG (NGK, CR8E)	1	
16-2	09482-00516	SPARK PLUG (NGK, CR7E)	1	OPT
16-3	09482-00458	SPARK PLUG (NGK, CR9E)	1	OPT
17	11175-18910	CAP, INSPECTION	2	
18	09280-30001	O RING (D:3.0, ID:29.5)	2	
19	09241-22002	PLUG, HEAD	1	
20	26431-05220	GEAR, TACHOMETER DRIVEN	1	
21	26441-49000	SLEEVE	1	
22	26451-45000	SEAL BAND	1	
23	09128-05101	SCREW	1	
24	09289-05002	OIL SEAL	1	

FIG.1

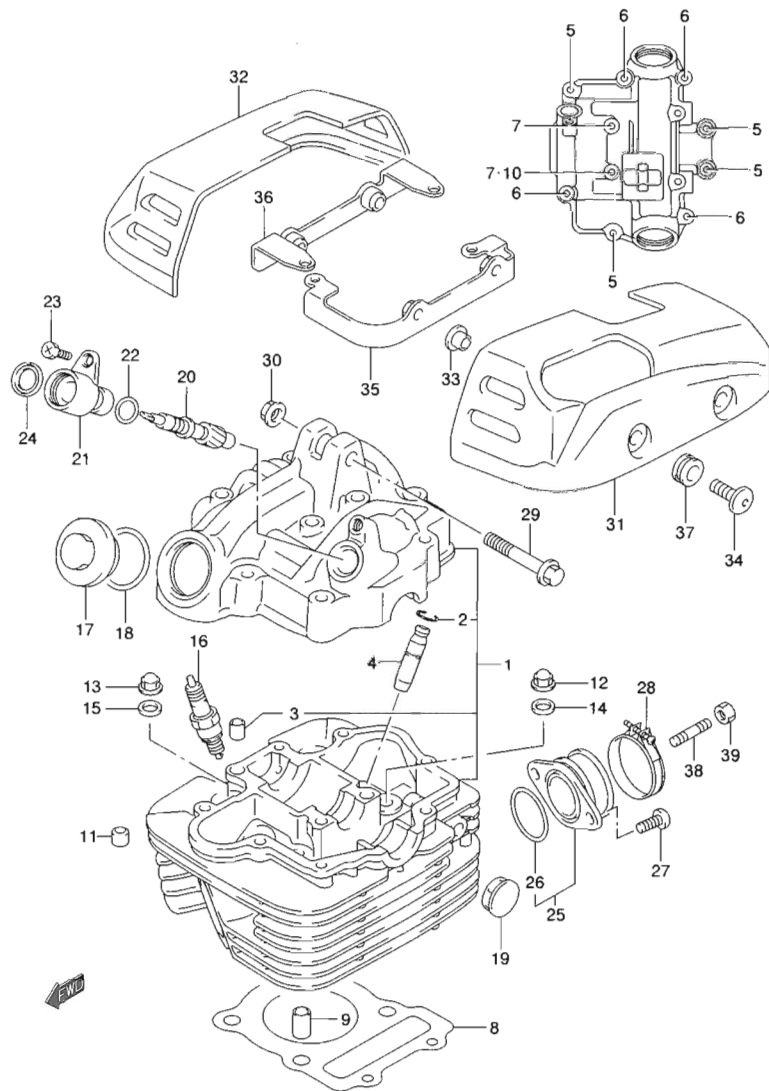
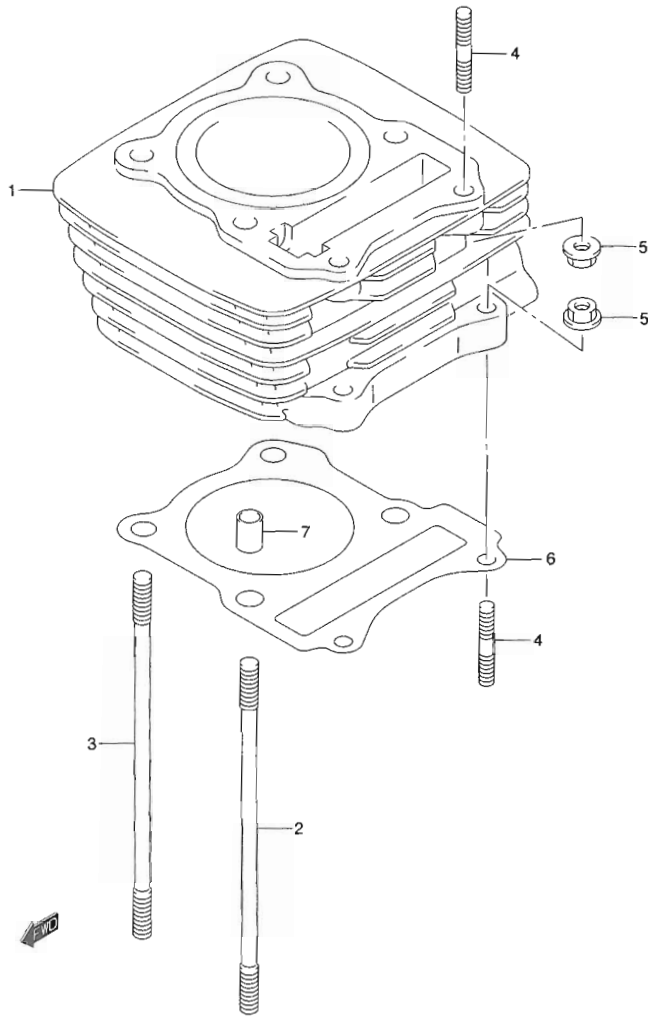


FIG.1 (B-3) CYLINDER HEAD

REF NO.	PART NO.	DESCRIPTION	QTY	REMARKS
25-1	13101-053A0	PIPE ASSY, INTAKE	1	EN125-2AK9
25-2	13101-053B0	PIPE ASSY, INTAKE	1	EN125HUK9/HUZK9
26	09280-32006	O RING (D:2.4, ID:31.7)	1	
27-1	02122-0616B	SCREW	2	EN125-2AK9
27-2	01547-0616B	BOLT	2	EN125HUK9/HUZK9
28	13170-12F50	CLAMP	1	EN125-2AK9
29	09103-08081	BOLT (8X50)	1	
30	08319-3108A	NUT	1	
31	11171-12F50	CAP, CYLINDER HEAD COVER, LH	1	EN125-2AK9
32	11172-12F50	CAP, CYLINDER HEAD COVER, RH	1	EN125-2AK9
33	11177-12F50	SPACER, HEAD COVER CAP	4	EN125-2AK9
34	09106-06126	BOLT (6X18)	4	EN125-2AK9
35	11179-12F50	BRACKET, CYLINDER HEAD CAP, LH	1	EN125-2AK9
36	11179-12F60	BRACKET, CYLINDER HEAD CAP, RH	1	EN125-2AK9
37	11181-12F50	CUSHION, HEAD COVER CAP	4	EN125-2AK9
38	01421-0616B	BOLT, INTAKE PIPE STUD	2	EN125HUK9/HUZK9
39	08310-0006A	NUT	2	EN125HUK9/HUZK9

FIG.2



EN125-2AK9 P71_002
CYLINDER

FIG.2 (B-4) CYLINDER

REF NO.	PART NO.	DESCRIPTION	QTY	REMARKS
1-1	11210-12F50-0F0	CYLINDER	1	EN125-2AK9
1-2	11210-05203-0F0	CYLINDER	1	EN125HUK9/HUZK9
2	09108-08062	STUD BOLT (L:150)	2	
3	09108-08089	STUD BOLT (L:155)	2	
4	01421-0625A	STUD BOLT (L:25)	4	
5	08316-10067	NUT	4	
6	11241-05311	GASKET, CYLINDER (NA)	1	
7	04211-11169	PIN (L:16)	2	

EN125-2AK9 P71

000_1794310-05149
EN125-2AK9 P71_002
CYLINDER

FIG.3

2

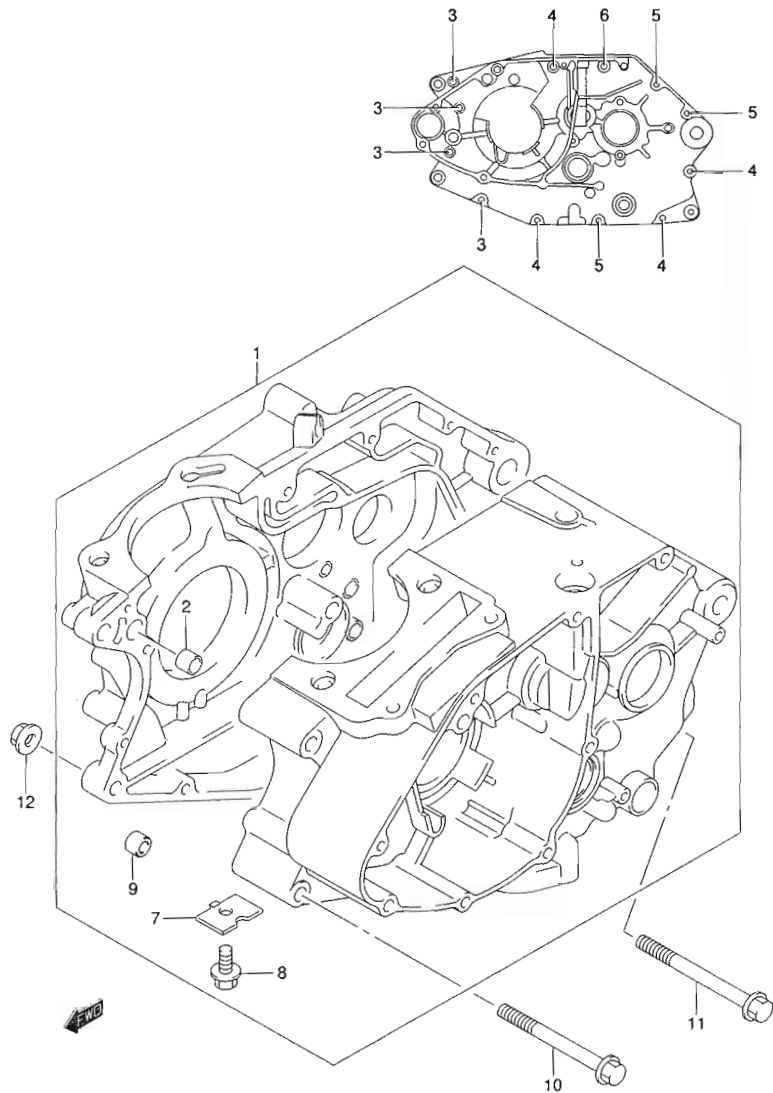


FIG.3 (B-5) CRANKCASE

REF NO.	PART NO.	DESCRIPTION	QTY	REMARKS
1-1	11300-05380	CRANKCASE ASSY	1	EN125-2AK9
1-2	11300-053B0	CRANKCASE ASSY	1	EN125HUK9/HUZK9
2	04211-13189	·PIN	2	
3	01547-06557	·BOLT (6X55)	4	
4	01547-06607	·BOLT (6X60)	4	
5	01547-06757	·BOLT, CRANKCASE	3	
6-1	01547-06857	·BOLT, CRANKCASE	1	EN125-2AK9
6-2	01547-06757	·BOLT, CRANKCASE	1	EN125HUK9/HUZK9
7	11319-05220	·PLATE	1	
8	01500-0610B	·BOLT (6X10)	1	
9	11325-12F50	·SPACER, CRANKCASE BOLT	1	EN125-2AK9
10	09103-08016	BOLT (8X80)	2	
11	09103-08010	BOLT (8X88)	1	
12	08319-3108A	NUT	3	

FIG.4

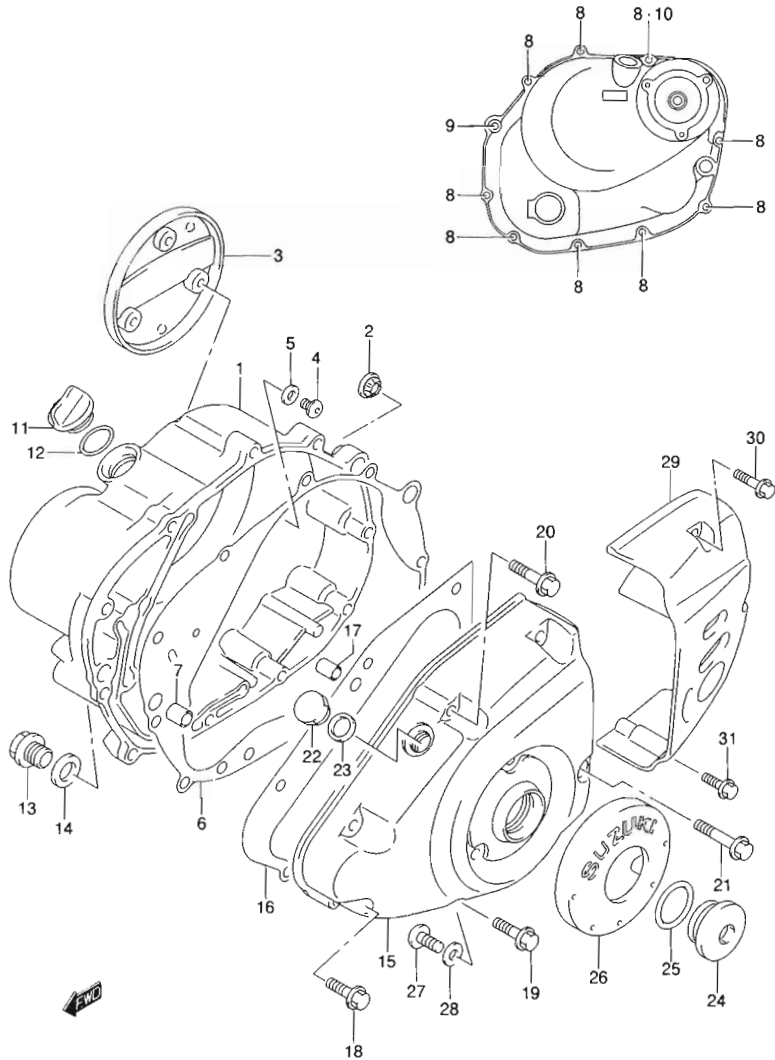


FIG.4 (B-6) CRANKCASE COVER

REF NO.	PART NO.	DESCRIPTION	QTY	REMARKS
1-1	11340-12F50	COVER, CLUTCH	1	EN125-2AK9
1-2	11340-05320	COVER, CLUTCH	1	EN125HUK9/HUZK9
2	11971-45010	LENS, OIL LEVEL	1	
3	11383-12F70	CAP, CLUTCH COVER	1	EN125-2AK9
4	02142-0612B	BOLT, CLUTCH COVER CAP	3	EN125-2AK9
5	09168-06023	GASKET	3	EN125-2AK9
6-1	11482-05311	GASKET, CLUTCH COVER	1	EN125-2AK9
6-2	11482-05211	GASKET, CLUTCH COVER	1	EN125HUK9/HUZK9
7	04211-13189	PIN	2	
8	01547-06307	BOLT (6X30)	9	
9	01547-06457	BOLT (6X45)	1	
10	09168-06023	GASKET	1	
11	09259-20007	PLUG, OIL FILLER	1	
12	09280-17003	O RING (D:3.1, ID:16.8)	1	
13	09247-14026	PLUG, OIL CHECK	1	
14	09168-14002	GASKET	1	
15-1	11351-12F51	COVER, MAGNETO	1	EN125-2AK9
15-2	11351-05303	COVER, MAGNETO	1	EN125HUK9/HUZK9
16	11483-05312	GASKET, MAGNETO COVER	1	
17	04211-09129	PIN	1	
18	01547-06307	BOLT (6X30) ✕	2	
19	01547-06357	BOLT (6X35) ✕	2	
20	01547-06407	BOLT (6X40) ✕	2	
21	01547-06507	BOLT (6X50) ✓	1	
22	09247-12104	PLUG, T.D.C	1	
23	09168-12002	GASKET	1	
24	09259-26016	PLUG	1	
25	09280-22008	O RING (D:3.1, ID:22.7)	1	

FIG.4

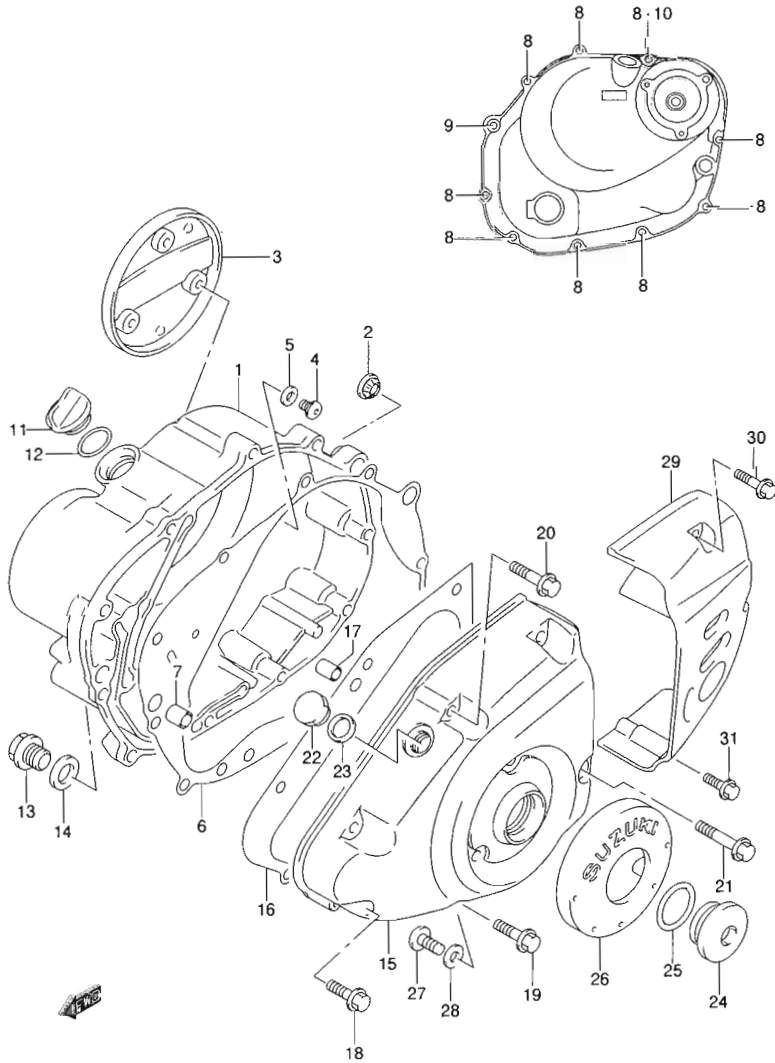


FIG.4 (B-7) CRANKCASE COVER

REF NO.	PART NO.	DESCRIPTION	QTY	REMARKS
26	11384-12F70	CAP, MAGNETO COVER	1	EN125-2AK9
27	11358-12F50	BOLT, MAGNETO COVER CAP	3	EN125-2AK9
28	09168-06023	GASKET	3	EN125-2AK9
29-1	11361-12F70	COVER, ENGINE SPROCKET	1	EN125-2AK9
29-2	11361-05301	COVER, ENGINE SPROCKET	1	EN125HUK9/HUZK9
30	01547-05357	BOLT	2	
31	01547-05257	BOLT	1	

FIG.5

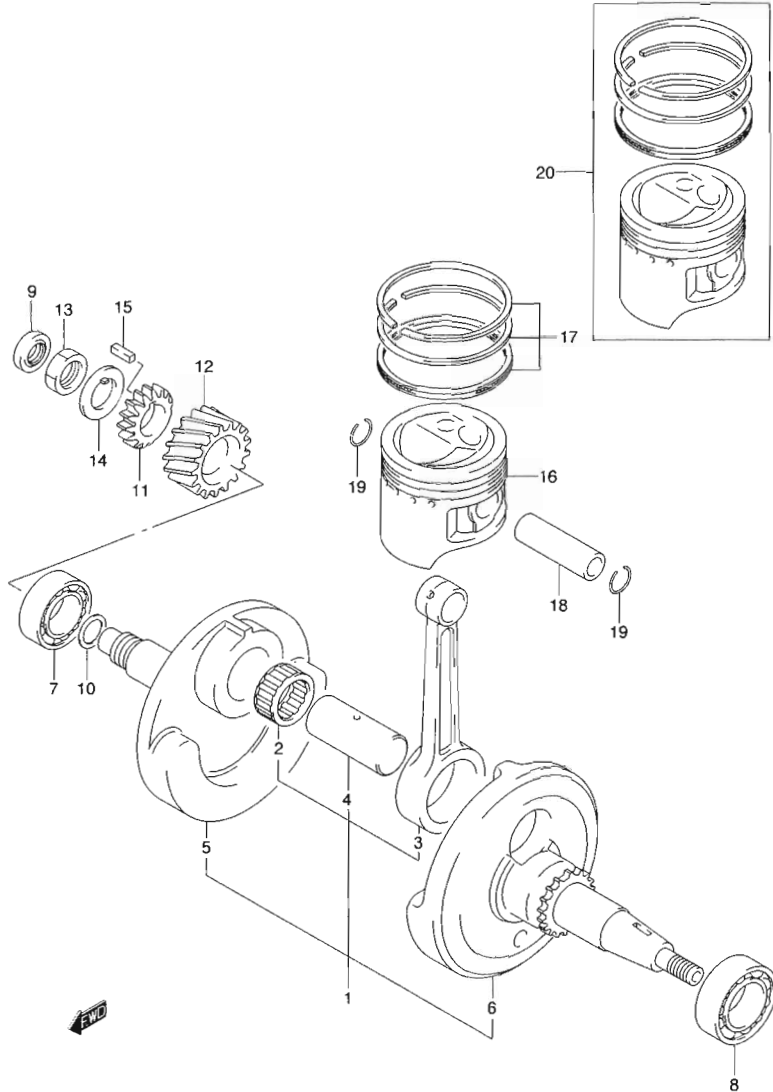


FIG.5 (B-8) CRANKSHAFT

REF NO.	PART NO.	DESCRIPTION	QTY	REMARKS
1-1	12200-12FD1	CRANKSHAFT ASSY	1	EN125-2AK9
1-2	12200-12FC1	CRANKSHAFT ASSY	1	EN125HUK9/HUZK9
2	09263-28027-0B0	·BEARING (28X36X15.8)	1	
3-1	12161-12F80-0B0	·ROD, CONNECTING	1	EN125-2AK9
3-2	12161-12F60-0B0	·ROD, CONNECTING	1	EN125HUK9/HUZK9
4	12211-05241	·PIN, CRANK	1	
5	12221-05220	·CRANKSHAFT, RH	1	
6-1	12261-12F50	·CRANKSHAFT, LH	1	EN125-2AK9
6-2	12261-05320	·CRANKSHAFT, LH	1	EN125HUK9/HUZK9
7	09262-28035	BEARING, RH (28X68X18)	1	
8	09262-35038	BEARING, LH (35X72X17)	1	
9	09282-12009	OIL SEAL, RH (12X21X7)	1	
10-1	09181-28192	SHIM, CRANKSHAFT, RH (0.90)	1	
10-2	09181-28193	SHIM, CRANKSHAFT, RH (0.95)	1	
10-3	09181-28194	SHIM, CRANKSHAFT, RH (1.00)	1	
10-4	09181-28197	SHIM, CRANKSHAFT, RH (1.05)	1	
10-5	09181-28200	SHIM, CRANKSHAFT, RH (1.10)	1	
10-6	09181-28202	SHIM, CRANKSHAFT, RH (1.15)	1	
10-7	09181-28204	SHIM, CRANKSHAFT, RH (1.20)	1	
10-8	09181-28207	SHIM, CRANKSHAFT, RH (1.25)	1	
10-9	09181-28209	SHIM, CRANKSHAFT, RH (1.30)	1	
10-10	09181-28022	SHIM, CRANKSHAFT, RH (1.35)	1	
10-11	09181-28210	SHIM, CRANKSHAFT, RH (1.40)	1	
10-12	09181-28023	SHIM, CRANKSHAFT, RH (1.45)	1	
10-13	09181-28211	SHIM, CRANKSHAFT, RH (1.50)	1	
10-14	09181-28024	SHIM, CRANKSHAFT, RH (1.55)	1	
10-15	09181-28025	SHIM, CRANKSHAFT, RH (1.60)	1	
10-16	09181-28026	SHIM, CRANKSHAFT, RH (1.65)	1	
10-17	09181-28027	SHIM, CRANKSHAFT, RH (1.70)	1	
10-18	09181-28028	SHIM, CRANKSHAFT, RH (1.75)	1	
10-19	09181-28029	SHIM, CRANKSHAFT, RH (1.80)	1	

2

FIG.5

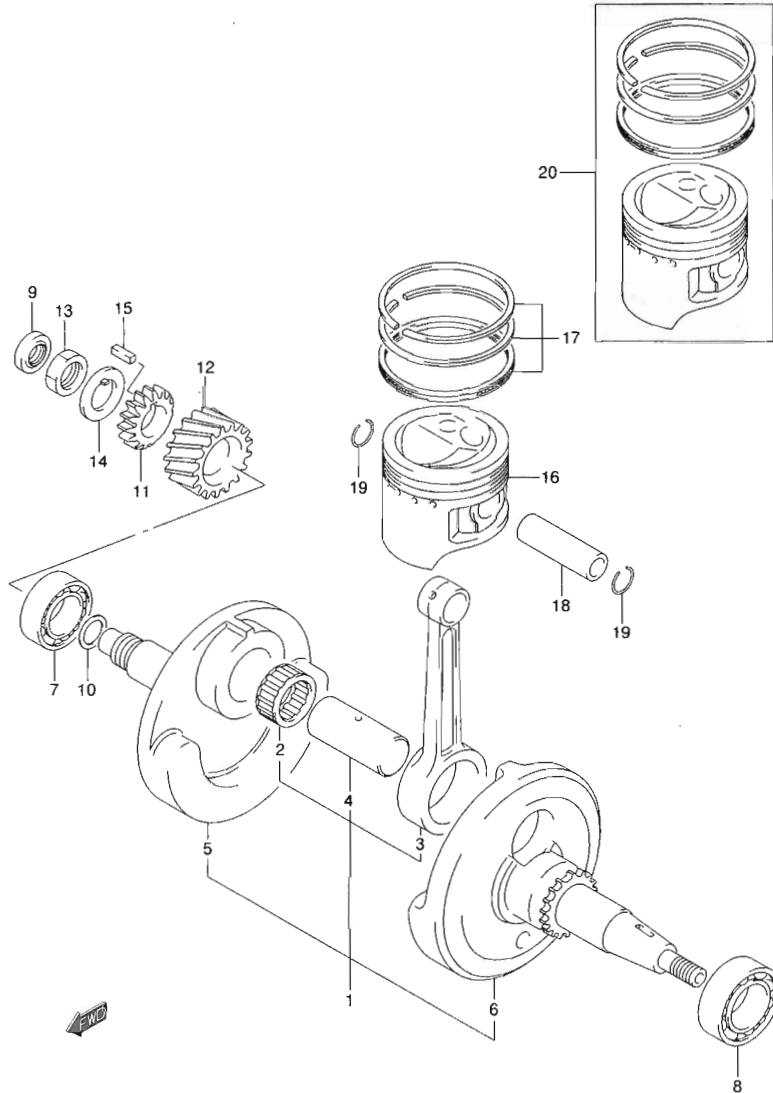


FIG.5 (B-9) CRANKSHAFT

REF NO.	PART NO.	DESCRIPTION	Q'TY	REMARKS
11	16321-05220	GEAR, OIL PUMP DRIVE	1	
12	21111-05200-0C0	GEAR, PRIMARY DRIVE (NT:17)	1	
13	09140-16019	NUT	1	
14	09166-16012	LOCK WASHER	1	
15	09421-04004	KEY, GEAR	1	
16	12111-12F50-0F0	PISTON	1	
17	12140-16E00	RING SET, PISTON	1	
18	12151-12F00	PIN, PISTON	1	
19	09381-14001	CIRCLIP	2	
20	12100-12F50-050	PISTON SET (OS:0.5)	1	OPT

FIG.6

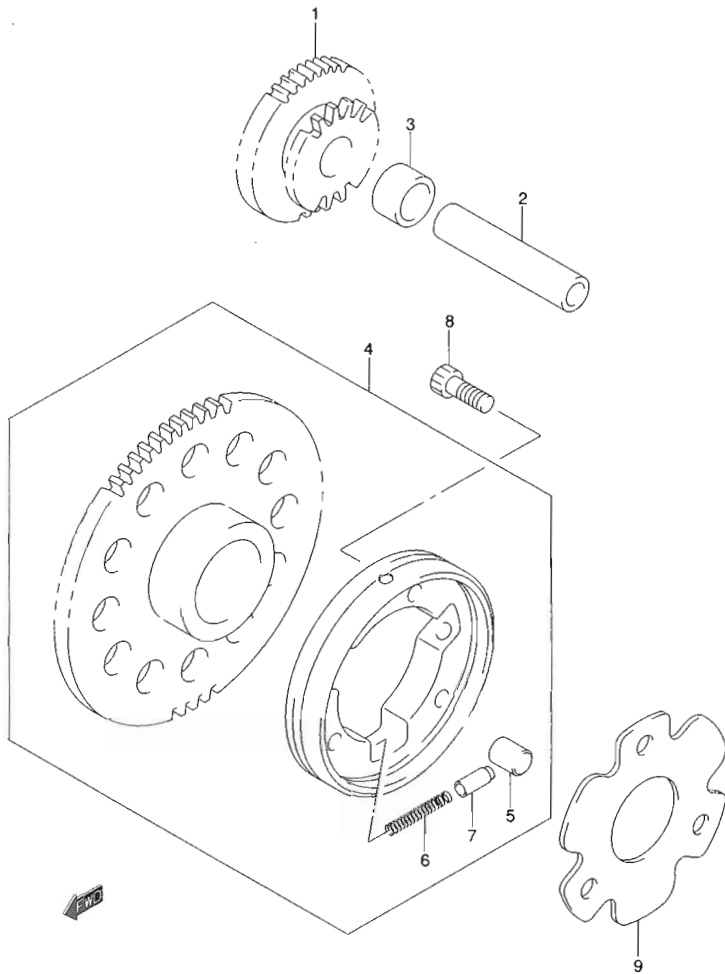


FIG.6 (B-10) STARTER CLUTCH

REF NO.	PART NO.	DESCRIPTION	QTY	REMARKS
1	12611-05300	GEAR, STARTER IDLE	1	
2	09206-13003	PIN	1	
3	09180-13006	SPACER	1	
4	12600-12861	CLUTCH SET, STARTER	1	
5	09261-10003	·ROLLER	3	
6	09440-03013	·SPRING	3	
7	12633-05310	·PIECE	3	
8	07130-0616B	BOLT	3	
9	12649-05300	SHIM	1	

FIG.7

2

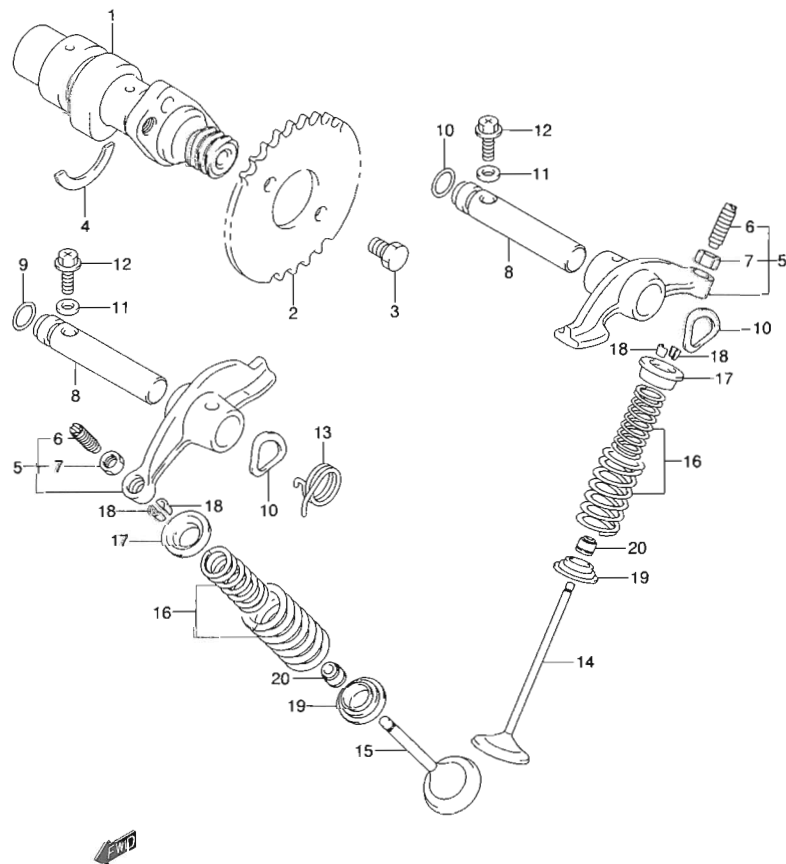


FIG.7 (C-2) CAM SHAFT - VALVE

REF NO.	PART NO.	DESCRIPTION	QTY	REMARKS
1	12711-12F50	CAM SHAFT	1	
2-1	12741-12F70	SPROCKET	1	EN125-2AK9
2-2	12741-05210	SPROCKET	1	EN125HUK9/HUZK9
3	09111-06032	BOLT (6X10.5)	2	
4	09390-22002	C RING	1	
5	12850-25C00	ARM, VALVE ROCKER	2	
6	12842-32411	·SCREW	2	
7	12843-32400	·NUT	2	
8	12861-05201	SHAFT, ROCKER ARM	2	
9	09280-09005	O RING (D:1.9, ID:8.6)	2	
10	09164-12025	WAVE WASHER	2	
11	09168-06023	GASKET	2	
12	02162-06257	BOLT	2	
13	09448-23002	SPRING, VALVE ROCKER ARM EXH	1	
14	12911-12F60	VALVE, INTAKE	1	
15	12912-12F60	VALVE, EXHAUST	1	
16	12920-12F50	SPRING SET, VALVE	2	
17	12931-09420	RETAINER, SPRING	2	
18	12932-27A10	COTTER, VALVE	4	
19	12933-39E00	SEAT, SPRING	2	
20	09289-05011	OIL SEAL	2	

FIG.8

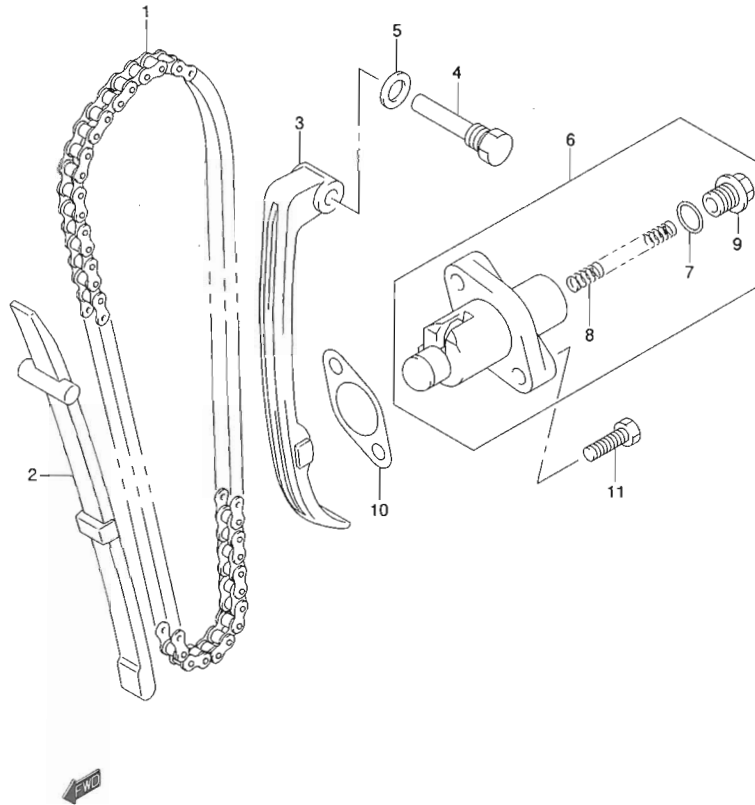


FIG.8 (C-3) CAM CHAIN (EN125-2AK9)

REF NO.	PART NO.	DESCRIPTION	QTY	REMARKS
1	12760-12F60	CHAIN, CAM SHAFT DRIVE	1	100LE
2	12771-12F60	GUIDE, CAM CHAIN	1	
3	12811-12F60	TENSIONER, CAM CHAIN	1	
4	12812-32400	BOLT	1	
5	09168-08016	WASHER	1	
6	12830-12F50	ADJUSTER ASSY, TENSIONER	1	
7	12832-12F50	·O RING	1	
8	12833-12F50	·SPRING	1	
9	12834-12F50	·PLUG	1	
10	12837-32410	GASKET, TENSIONER ADJUSTER	1	
11	01500-0620B	BOLT	2	

REFER TO FIG.9 (C-4) FOR EN125HUK9/HUZK9

FIG.9

2

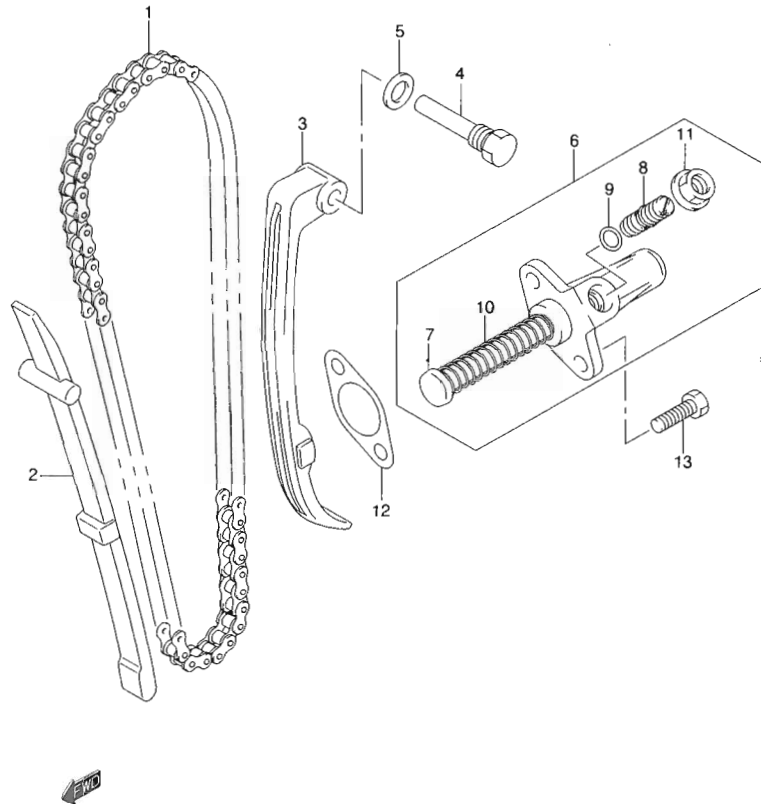


FIG.9 (C-4) CAM CHAIN (EN125HUK9/HUZK9)

REF NO.	PART NO.	DESCRIPTION	QTY	REMARKS
1	12760-05220	CHAIN, CAM SHAFT DRIVE	1	
2	12771-05200	GUIDE, CAM CHAIN	1	
3	12811-05220	TENSIONER, CAM CHAIN	1	
4	12812-32400	BOLT	1	
5	09168-08016	WASHER	1	
6	12830-32452	ADJUSTER ASSY, TENSIONER	1	
7	12832-32401	·ROD, PUSH	1	
8	12838-45001	·SCREW, ADJUST	1	
9	09280-06005	·O RING	1	
10	09440-11018	·SPRING	1	
11	08316-1008B	·NUT	1	
12	12837-32410	GASKET, TENSIONER ADJUSTER	1	
13	01500-0620B	BOLT	2	

FIG.10

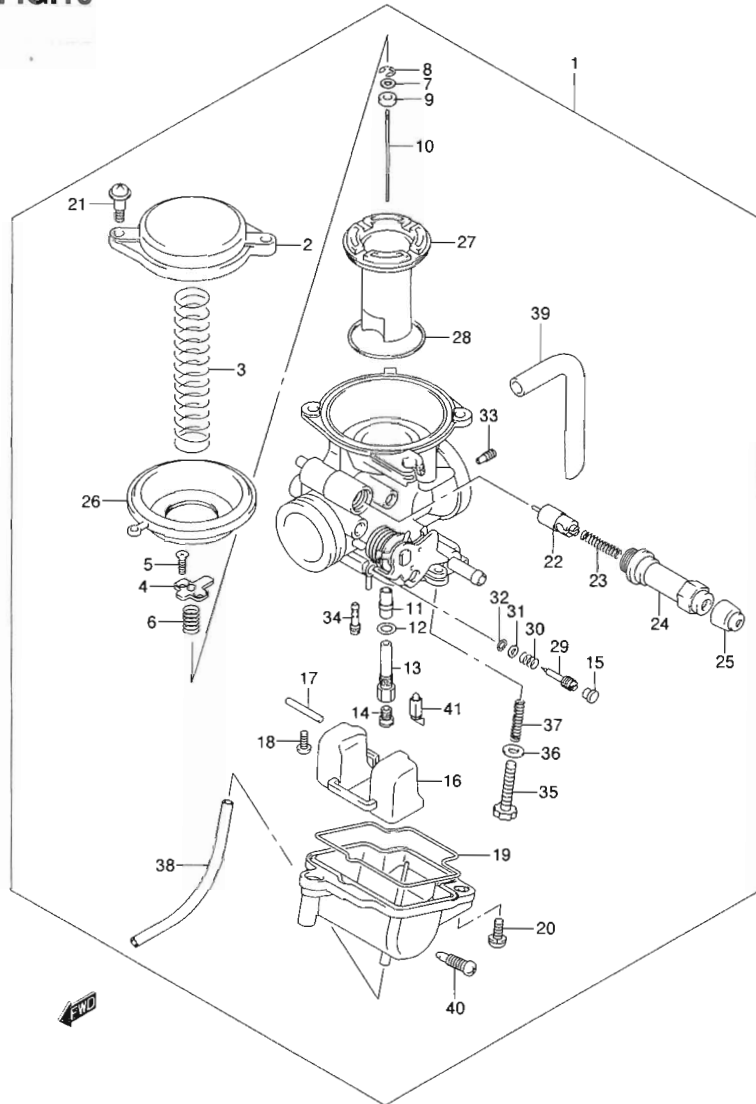


FIG.10 (C-5) CARBURETOR (EN125-2AK9)

01.019

REF NO.	PART NO.	DESCRIPTION	QTY	REMARKS
1	13200-45F00	CARBURETOR ASSY	1	
2	13502-12F00	·DIAPHRAGM COVER ASSY	1	
3	13417-47E00	·SPRING	1	
4	13581-05F00	·PLATE	1	
5	13603-05F00	·SCREW	2	
6	13388-20E20	·SPRING	1	
7	13382-46E00	·WASHER	1	
8	13394-17E60	·E RING	1	
9	13574-05F00	·RING	1	
10	13383-054G0	·NEEDLE, JET (4DH41-2)	1	
11	09494-00907	·JET, NEEDLE (P-0)	1	
12	13246-43010	·O RING	1	
13	13385-05F00	·HOLDER, JET	1	
14	09491-22013	·JET, MAIN (110)	1	
15	13282-05G00	·CAP	1	
16	13240-12FG0	·FLOAT ASSY	1	
17	13254-20010	·PIN, FLOAT	1	
18	02112-04083	·SCREW	1	
19	13251-47E00	·GASKET, FLOAT BODY	1	
20	13601-05148	·SCREW	2	
21	13247-33E00	·SCREW	2	
22	13411-12F00	·PLUNGER ASSY	1	
23	13417-01010	·SPRING	1	
24	13418-053S0	·HOLDER, GUIDE	1	
25	13681-04010	·CAP	1	
26	13507-054G0	·DIAPHRAGM	1	
27	13500-48F00	·VALVE, PISTON	1	
28	13504-16E00	·RING	1	
29	13279-12F20	·ADJUSTER (2, 5/8)	1	
30	13268-47070	·SPRING	1	
31	13291-29900	·WASHER	1	
32	13295-29900	·O RING	1	

REFER TO FIG.11 (C-7) FOR EN125HUK9/HUZK9

2

FIG.10

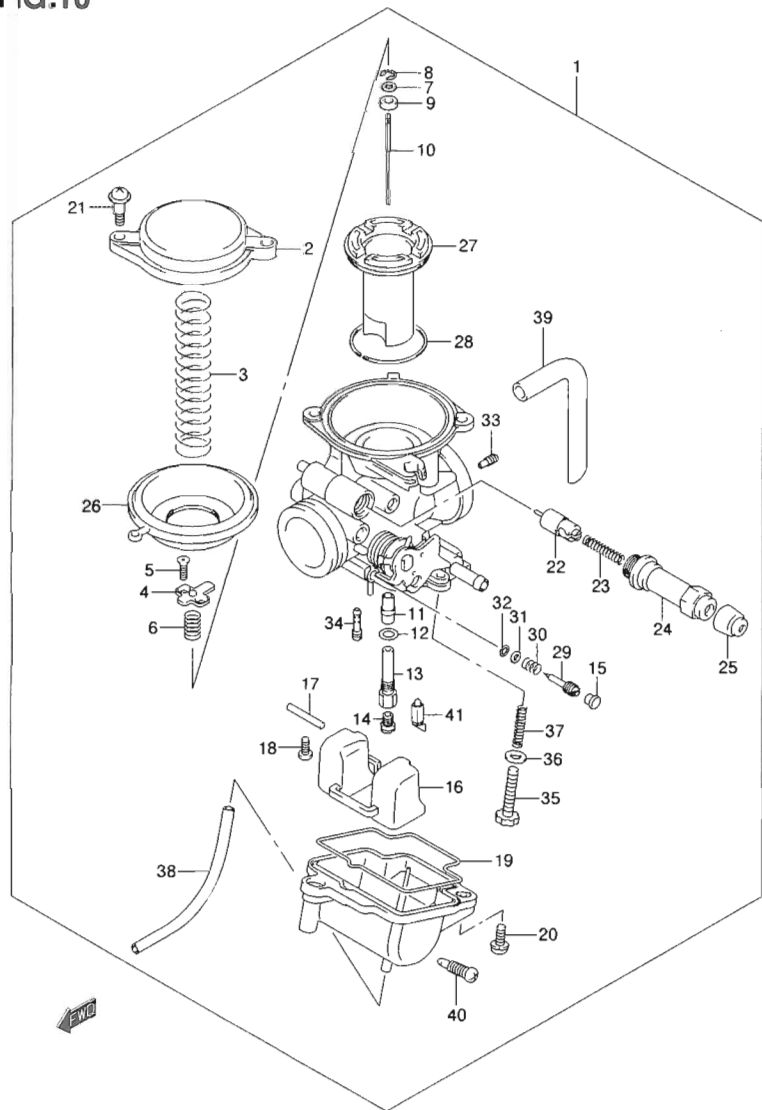


FIG.10 (C-6) CARBURETOR (EN125-2AK9)

REF NO.	PART NO.	DESCRIPTION	QTY	REMARKS
33	09493-25003	·JET, AIR (1.25)	1	
34	09492-12007	·JET, PILOT (12.5)	1	
35	13267-20E20	·SCREW, ADJUSTER	1	
36	13386-09410	·PACKING	1	
37	13268-054A0	·SPRING	1	
38	13683-28B10	·HOSE	1	
39	13684-053R0	·HOSE	1	
40	13247-13A00	·SCREW	1	
41	13370-054L0	·NEEDLE VALVE ASSY	1	

REFER TO FIG.11 (C-7) FOR EN125HUK9/HUZK9

FIG.11

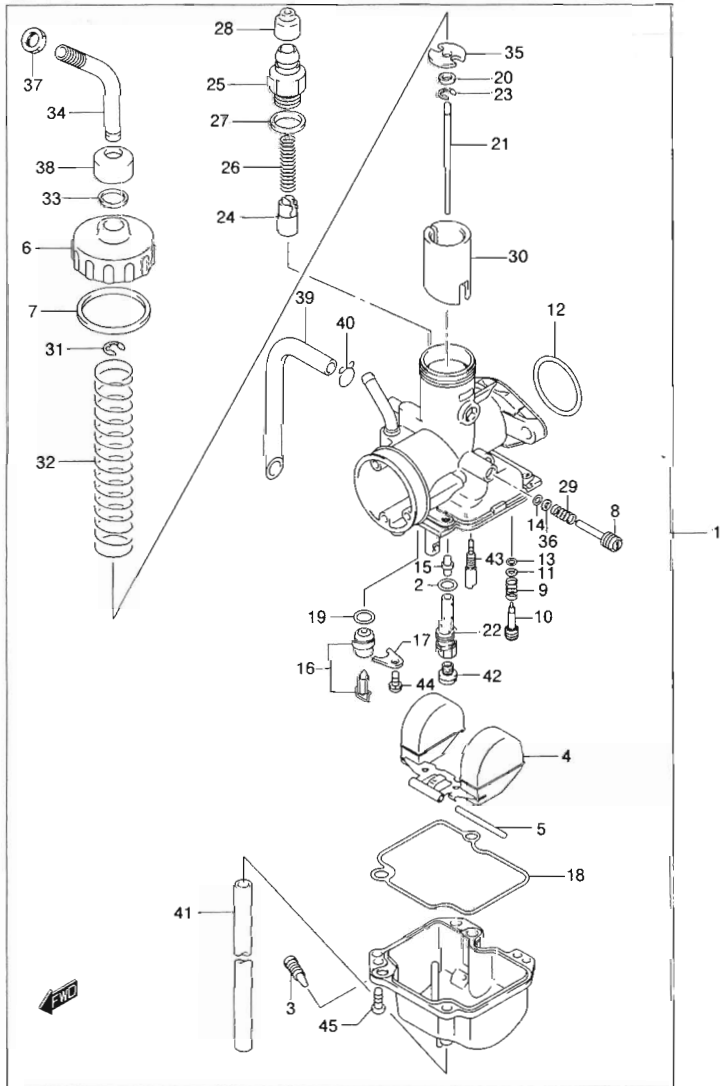


FIG.11 (C-7) CARBURETOR (EN125HUK9/HUZK9)

REF.NO.	PART NO.	DESCRIPTION	QTY	REMARKS
1	13200-45FA0	CARBURETOR ASSY	1	
2	13246-43010	·O RING	1	
3	13247-13A00	·SCREW, DRAIN	1	
4	13252-22A00	·FLOAT	1	
5	13254-01010	·PIN, FLOAT	1	
6	13261-054N0	·CAP, MIXING	1	
7	13266-054N0	·PACKING	1	
8	13267-054N0	·ADJUSTER	1	
9	13268-47070	·SPRING	1	
10	13279-054N0	·ADJUSTER	1	
11	13291-29900	·WASHER	1	
12	13295-28010	·O RING	1	
13	13295-29900	·O RING	1	
14	13295-33010	·O RING	1	
15	09494-00490	·JET, NEEDLE	1	
16	13370-08G00	·VALVE ASSY, NEEDLE	1	
17	13373-054N0	·PLATE	1	
18	13374-054N0	·O RING	1	
19	13374-46710	·O RING	1	
20	13382-47010	·WASHER	1	
21	13383-054M0	·NEEDLE, JET	1	
22	13385-054N0	·HOLDER	1	
23	13394-40D20	·E RING	1	
24	13411-05450	·PLUNGER, STARTER	1	
25	13418-05450	·HOLDER, GUIDE	1	
26	13417-05450	·SPRING	1	
27	13427-05450	·WASHER	1	
28	13681-04010	·CAP	1	
29	13494-09410	·SPRING	1	
30	13551-054N0	·VALVE, PISTON	1	
31	13558-054N0	·E RING	1	
32	13573-29B00	·SPRING	1	
33	13575-054N0	·PACKING	1	

2

FIG.11

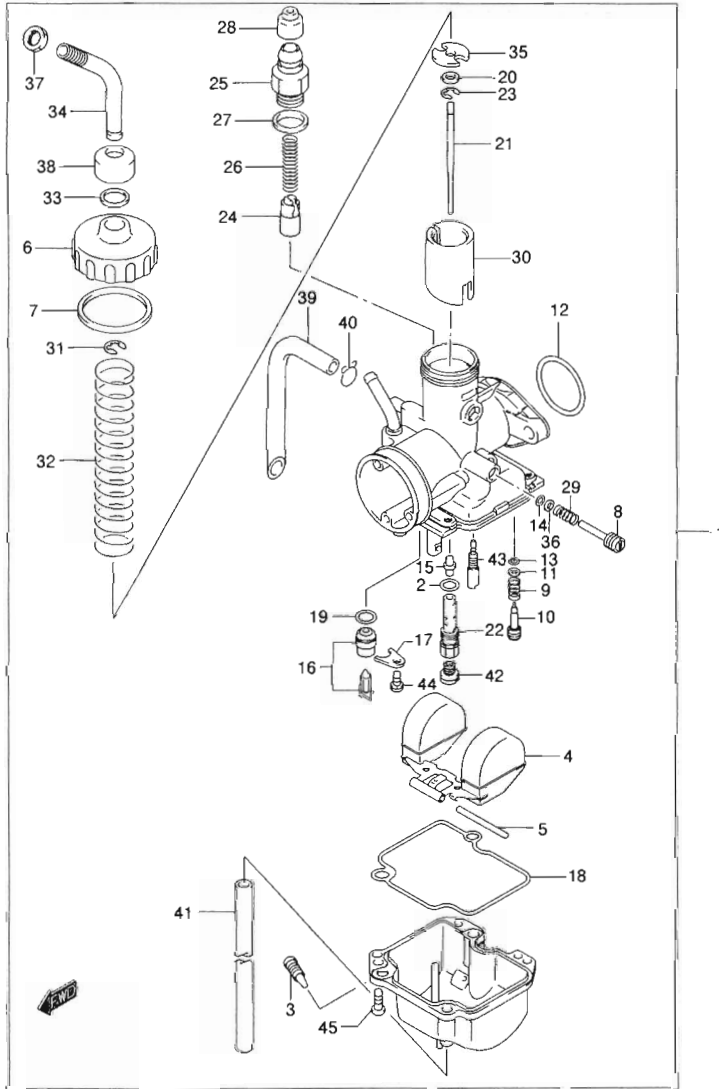
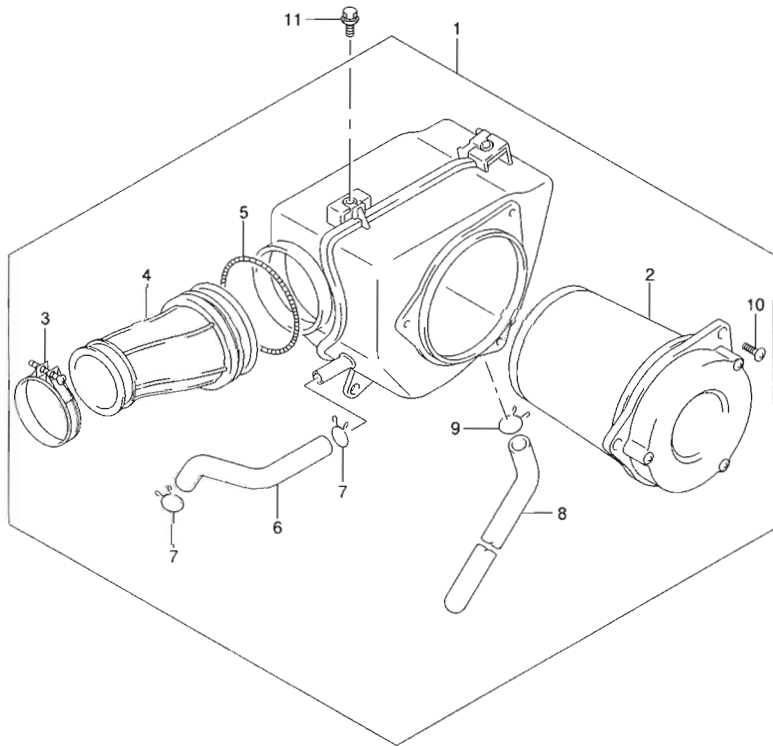


FIG.11 (C-8) CARBURETOR (EN125HUK9/HUJK9)

REF NO.	PART NO.	DESCRIPTION	Q'TY	REMARKS
34	13579-054N0	·GUIDE, CABLE	1	
35	13581-36212	·STOPPER, NEEDLE CLIP	1	
36	13606-47A00	·WASHER	1	
37	13661-03010	·NUT	1	
38	13681-054N0	·CAP, TOP	1	
39	13683-05450	·HOSE	1	
40	09401-06101	·CLIP	1	
41	09355-30705-600	·HOSE (3X7X600)	1	L:600→400
42	09491-92004	·JET, MAIN	1	
43	09492-15005	·JET, PILOT (15)	1	
44	02112-03063	·SCREW	1	
45	02112-04107	·SCREW	4	

FIG.12

FIG.12 (C-9) AIR CLEANER



REF NO.	PART NO.	DESCRIPTION	QTY	REMARKS
1-1	13700-45F00	CLEANER ASSY, AIR	1	EN125-2AK9
1-2	13700-053B0	CLEANER ASSY, AIR	1	EN125HUK9/HUZK9
2-1	13780-45F00	·FILTER	1	EN125-2AK9
2-2	13780-38301	·FILTER	1	EN125HUK9/HUZK9
3	09402-52208	·CLAMP	1	
4-1	13881-05390	·TUBE, OUTLET	1	EN125-2AK9
4-2	13881-053B0	·TUBE, OUTLET	1	EN125HUK9/HUZK9
5-1	13826-45F00	·CLAMP	1	EN125-2AK9
5-2	13826-38300	·CLAMP	1	EN125HUK9/HUZK9
6	13853-05300	·TUBE, BREATHER	1	
7	09401-14401	·CLIP	2	
8	13870-45F00	·TUBE, DRAIN	1	
9	09401-13409	·CIRCLIP	1	
10	02142-05127	·SCREW	3	
11	01580-0616B	BOLT	3	



FIG.13

2

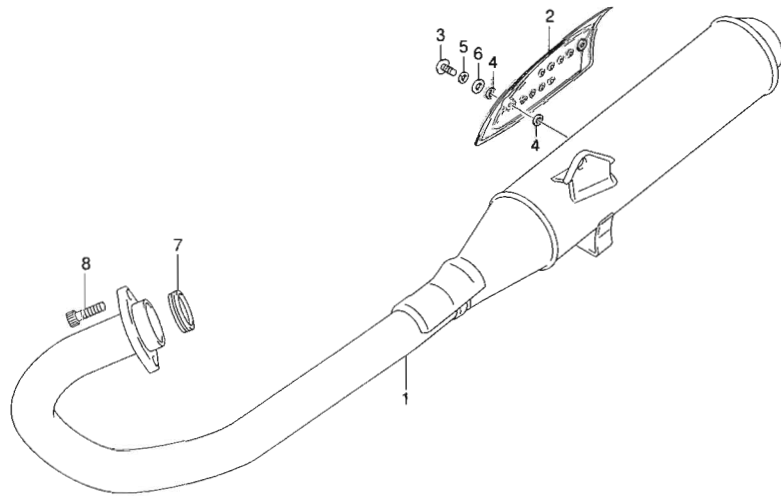


FIG.13 (C-10) MUFFLER

REF NO.	PART NO.	DESCRIPTION	QTY	REMARKS
1	14305-45F11	MUFFLER	1	
2	14790-45F10	COVER, MUFFLER BODY	1	
3	09139-06078	SCREW	2	
4	09168-06001	WASHER	4	
5	08321-0106A	WASHER	2	
6	08322-0106A	WASHER	4	
7	14181-14D00	GASKET, EXHAUST (NA)	1	
8	07130-0825B	BOLT, EXHAUST PIPE	2	

FIG.14

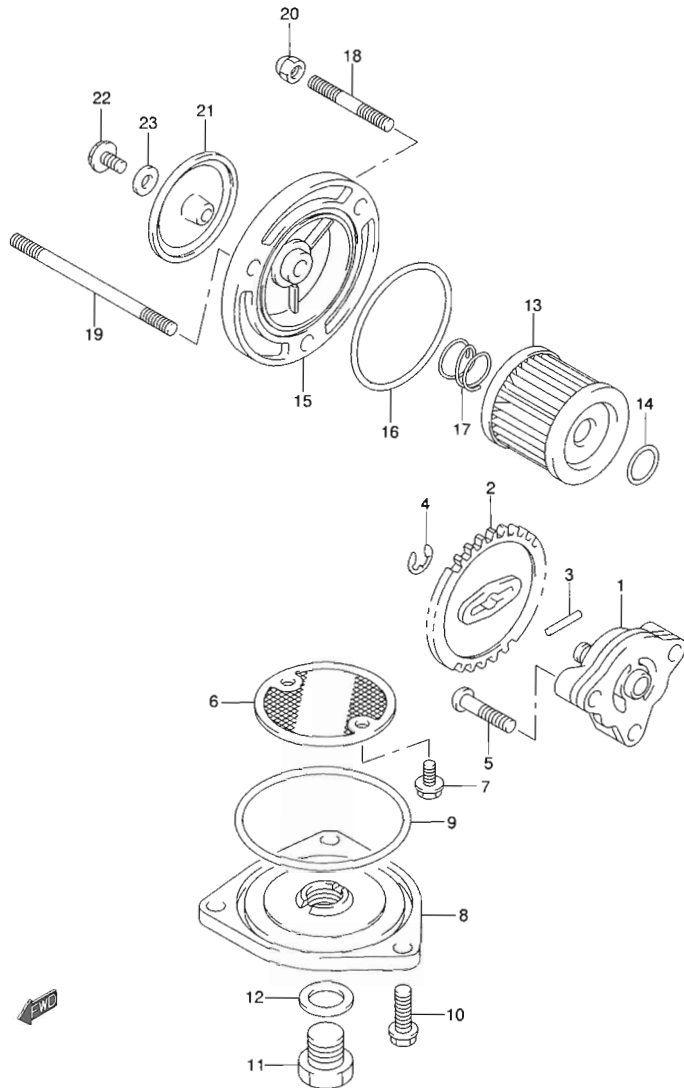
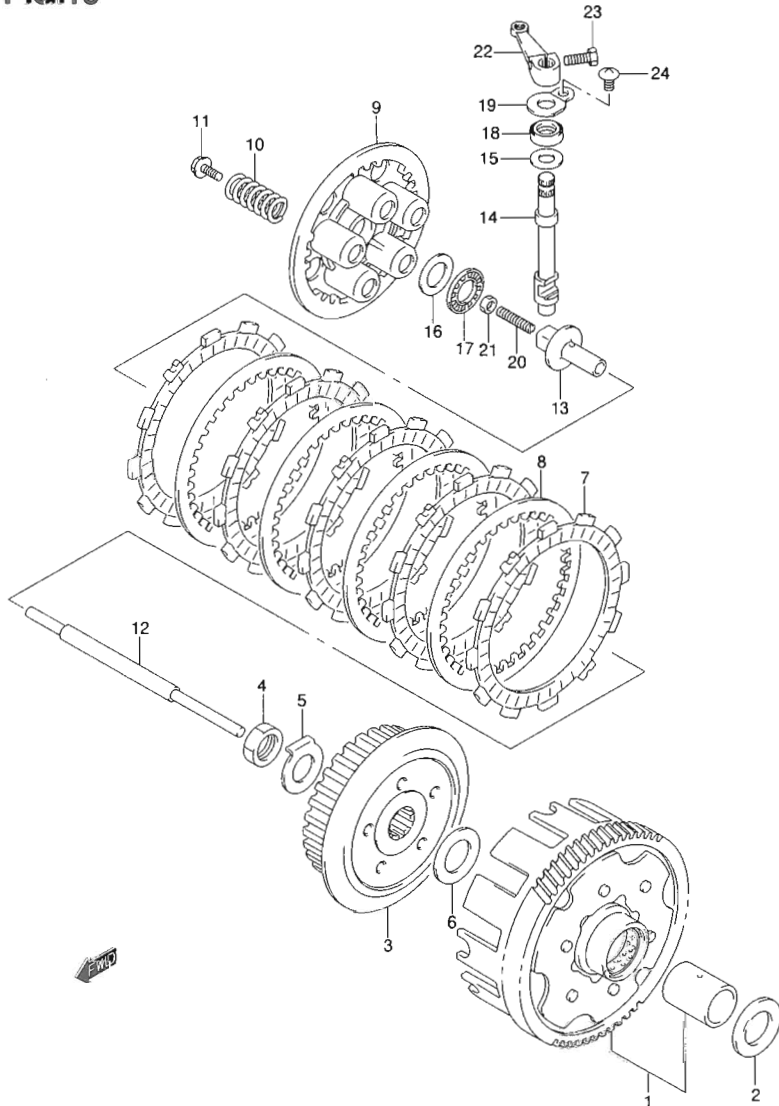


FIG.14 (C-11) OIL PUMP

REF NO.	PART NO.	DESCRIPTION	QTY	REMARKS
1	16400-05201	PUMP ASSY. ENGINE OIL	1	
2	16331-12F10	GEAR, DRIVEN (NT:30)	1	
3	09261-02001	PIN	1	
4	08332-1106B	CIRCLIP	1	
5	02112-0625A	SCREW	3	
6	16520-05202	STRAINER, ENGINE OIL	1	
7	02112-7512A	SCREW	2	
8	16523-05200	CAP. OIL STRAINER	1	
9	09280-60005	O RING (D:2.4, ID:60.5)	1	
10	01547-0620B	BOLT	3	
11	09247-14043	PLUG, DRAIN	1	
12	09168-14002	GASKET	1	
13	16510-05240	FILTER, ENGINE OIL	1	
14	09280-13004	O RING (D:1.9, ID:13)	1	
15-1	16512-12F50	CAP. OIL FILTER	1	EN125-2AK9
15-2	16512-05212	CAP. OIL FILTER	1	EN125HUK9/HUZK9
16	09280-54001	O RING (D:2.4, ID:52.6)	1	
17	09440-18002	SPRING	1	
18	09108-06128	STUD BOLT	2	
19	09108-06133	STUD BOLT	1	
20	08313-10067	NUT	3	
21	16584-12F70	CAP. ENGINE OIL FILLER OUTER	1	EN125-2AK9
22	02142-0612B	BOLT, ENGINE OIL FILLER CAP OUTER	1	EN125-2AK9
23	09168-06023	GASKET, OIL FILLER OUTER BOLT	1	EN125-2AK9

2

FIG.15



2

FIG.15 (D-2) CLUTCH

REF NO.	PART NO.	DESCRIPTION	QTY	REMARKS
1-1	21201-05810	GEAR ASSY, PRIMARY DRIVEN	1	EN125-2AK9
1-2	21200-05853	GEAR ASSY, PRIMARY DRIVEN	1	EN125HUK9/HUZK9
2	08211-20353	WASHER	1	
3	21411-05210	HUB, SLEEVE	1	
4	09140-16034	NUT	1	
5	09169-16003	LOCK WASHER	1	
6	08211-20352	WASHER, SLEEVE HUB THR	1	
7	21441-13A20	PLATE, DRIVE	5	
8	21451-19A00	PLATE, DRIVEN	4	
9	21462-14103	DISK, PRESSURE	1	
10	09440-15014	SPRING	5	
11	09116-05020	BOLT (5X16)	5	
12	23110-05220	ROD, PUSH	1	
13	23121-38210	PIECE	1	
14	23122-05200	CAM SHAFT	1	
15	09181-10195	WASHER (10X20X1.0)	1	
16	09160-15045	WASHER (15.5X28X1)	1	
17	09263-15003	THRUST BEARING (15X28X2)	1	
18	09282-10015	OIL SEAL (10X20X6)	1	
19	23117-05200	RETAINER, CLUTCH RELEASE	1	
20	09134-06010	SCREW (6X25)	1	
21	09140-06023	NUT	1	
22	23271-46010	ARM, RELEASE	1	
23	01500-06167	BOLT	1	
24	02142-0610B	STOPPER, CLUTCH RELEASE	1	

FIG.16

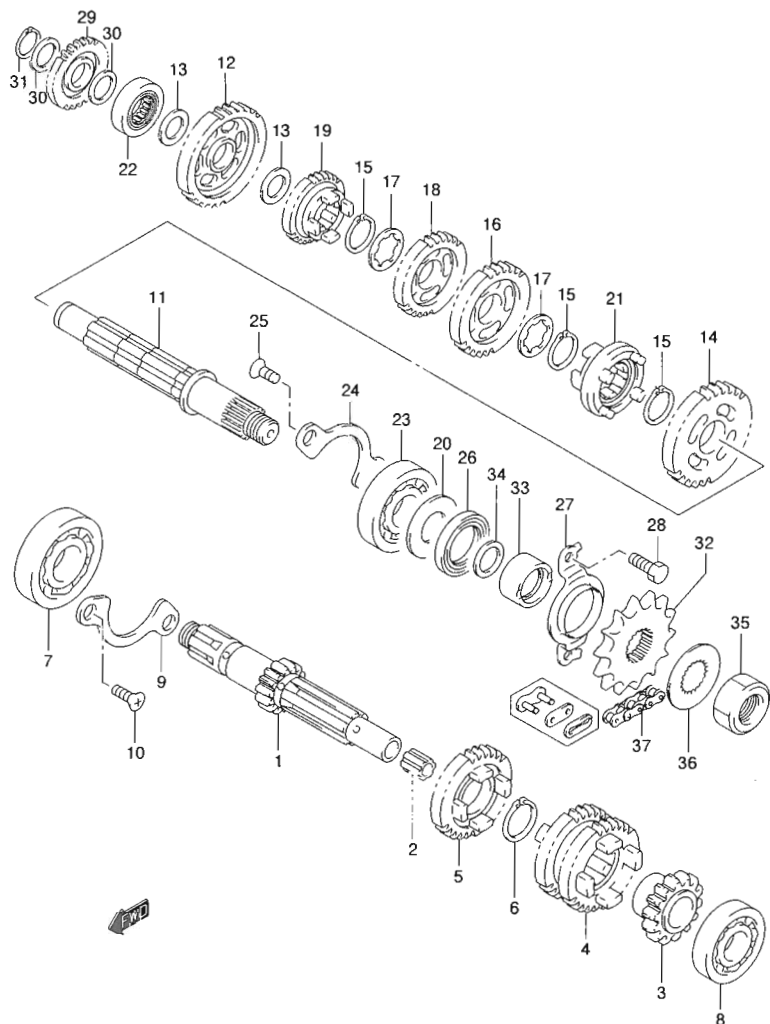


FIG.16 (D-3) TRANSMISSION

REF NO.	PART NO.	DESCRIPTION	QTY	REMARKS
1	24121-05260	COUNTERSHAFT (NT:11)	1	
2	24125-38201	BUSH	1	
3	24221-05310	GEAR, 2ND DRIVE (NT:14)	1	
4	24231-05220	GEAR, 3/4 DRIVE (NT:19/21)	1	
5	24251-45F00	GEAR, 5TH DRIVE (NT:23)	1	
6	09380-20009	CIRCLIP	1	
7	09262-20069	BEARING, RH (20X47X14)	1	
8	08123-60027	BEARING, LH	1	
9	24741-05200	HOLDER, BEARING	1	
10	02122-0612A	SCREW	2	
11-1	24130-05370	DRIVE SHAFT	1	EN125-2AK9
11-2	24130-05220	DRIVE SHAFT	1	EN125HUK9/HUZK9
12	24310-05230	GEAR, 1ST DRIVEN (NT:33)	1	
13	08211-15251	WASHER	2	
14	24320-05240	GEAR, 2ND DRIVEN (NT:26)	1	
15	09380-20009	CIRCLIP	3	
16	24331-05203	GEAR, 3RD DRIVEN (NT:26)	1	
17	09167-20011	WASHER (20.5X25X0.5)	2	
18	24341-45F00	GEAR, 4TH DRIVEN (NT:23)	1	
19	24351-45F00	GEAR, 5TH DRIVEN (NT:22)	1	
20	24359-05200	WASHER	1	
21	24421-05320	WHEEL	1	
22	09262-15031	BEARING, RH (15X35X11)	1	
23	09262-20069	BEARING, LH (20X47X14)	1	
24	24741-05200	HOLDER, BEARING	1	
25	02122-0612A	SCREW	2	
26	09283-27017	OIL SEAL, LH (27X40X6)	1	

2

FIG.16

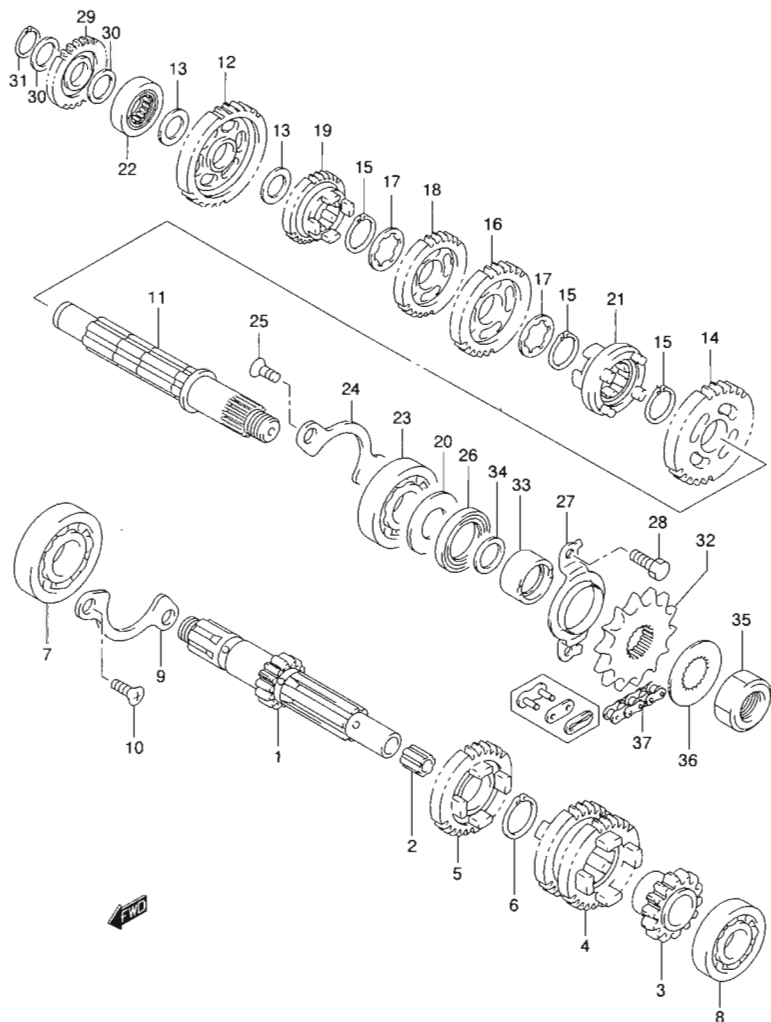


FIG.16 (D-4) TRANSMISSION

REF. NO.	PART NO.	DESCRIPTION	QTY	REMARKS
27	24751-05220	HOLDER, OIL SEAL	1	
28	01500-0610B	BOLT	2	
29	26260-05210	GEAR, KICK IDLE (NT:26)	1	EN125HUK9/HUZK9
30	08211-15201	WASHER	2	EN125HUK9/HUZK9
31	08331-3115A	CIRCLIP	1	EN125HUK9/HUZK9
32	27511-41320	SPROCKET (NT:14)	1	
33	27531-05220	SPACER	1	
34	09280-19005	O RING (D:2.40, ID:19)	1	
35	09140-16017	NUT	1	
36	09167-20012	WASHER (18X38X0.8)	1	
37	27600-29B40-118	CHAIN (KMC 428H,118LE)	1	

FIG.17

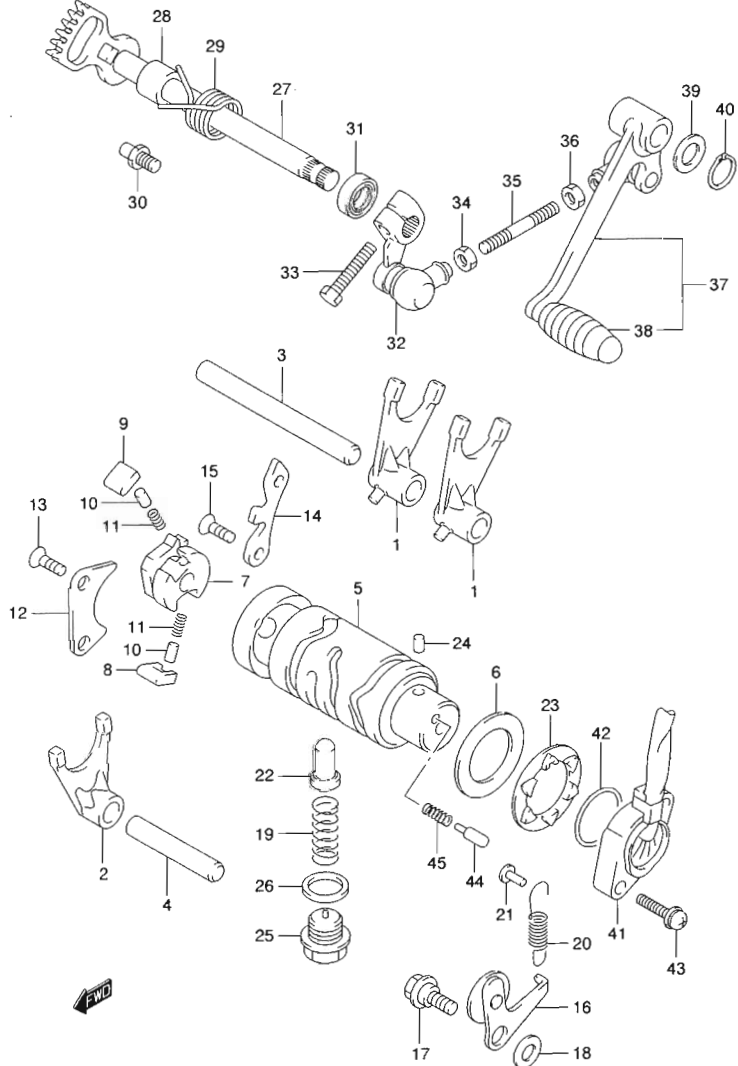


FIG.17 (D-5) GEAR SHIFTING

REF NO.	PART NO.	DESCRIPTION	QTY	REMARKS
1	25221-08300	FORK, GEAR SHIFTING NO.1	2	
2	25231-05201	FORK, GEAR SHIFTING NO.3	1	
3	25411-16701	SHAFT, FORK NO.1	1	
4	25421-35403	SHAFT, FORK NO.2	1	
5	25310-05340	CAM, GEAR SHIFTING	1	
6	09181-25251	WASHER (25X40X1.0)	1	
7	25322-31320	GEAR, CAM DRIVEN	1	
8	25323-34201	PAWL, NO.1	1	
9	25324-34201	PAWL, NO.2	1	
10	09261-05013	PIN	2	
11	09440-04003	SPRING	2	
12	25331-30001	LIFTER, PAWL	1	
13	02122-0612A	SCREW	2	
14	25341-05200	GUIDE, CAM	1	
15	02122-0612A	SCREW	2	
16	25350-44A00	STOPPER, CAM	1	
17	09111-06054	BOLT (6X14.6)	1	
18	08211-06141	WASHER	1	
19	09440-11016	SPRING	1	L:27
20	09443-08044	SPRING	1	
21	09223-04001	HOOK	1	
22	25351-30020	STOPPER, NEUTRAL	1	
23	25381-45400	PLATE, STOPPER	1	
24	04221-04069	PIN	1	
25	09248-14013	PLUG, CAM STOPPER	1	
26	09168-14002	WASHER (13.8X18.8X0.4)	1	
27	25510-05220	SHAFT, GEAR SHIFTING	1	
28	09180-12068	SPACER (12X20X15.3)	1	
29	09444-26013	SPRING	1	
30	25671-01020	STOPPER, ARM	1	

FIG.17

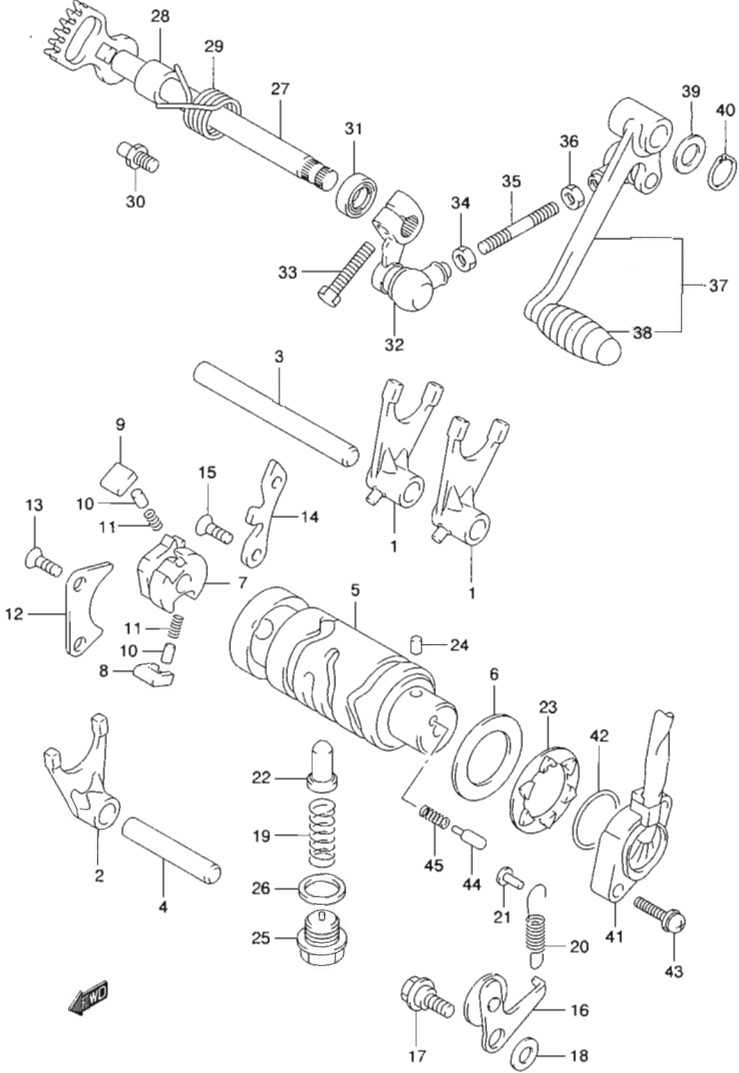


FIG.17 (D-6) GEAR SHIFTING

REF NO.	PART NO.	DESCRIPTION	Q'TY	REMARKS
31	09285-12002	OIL SEAL (12X22X9)	1	
32	25520-47030	ARM, GEAR SHIFT SHAFT	1	
33	01500-06207	BOLT	1	
34	08310-00067	NUT, RH	1	
35	25525-12C10	ROD, GEAR SHIFT LINK	1	
36	09140-06025	NUT, LH	1	
37	25600-45F00	LEVER ASSY, GEAR SHIFTING	1	
38	25652-16500	·RUBBER	1	
39	09160-12011	WASHER (12.5X20X1.0)	1	
40	08331-3112A	CIRCLIP	1	
41	37720-45F10	BASE ASSY, GEAR TERM	1	
42	09280-26005	O RING (D:2.4, ID:26.2)	1	
43	02112-7520B	SCREW	2	
44	09209-05011	CONTACT	1	
45	09440-04024	SPRING	1	

FIG.18

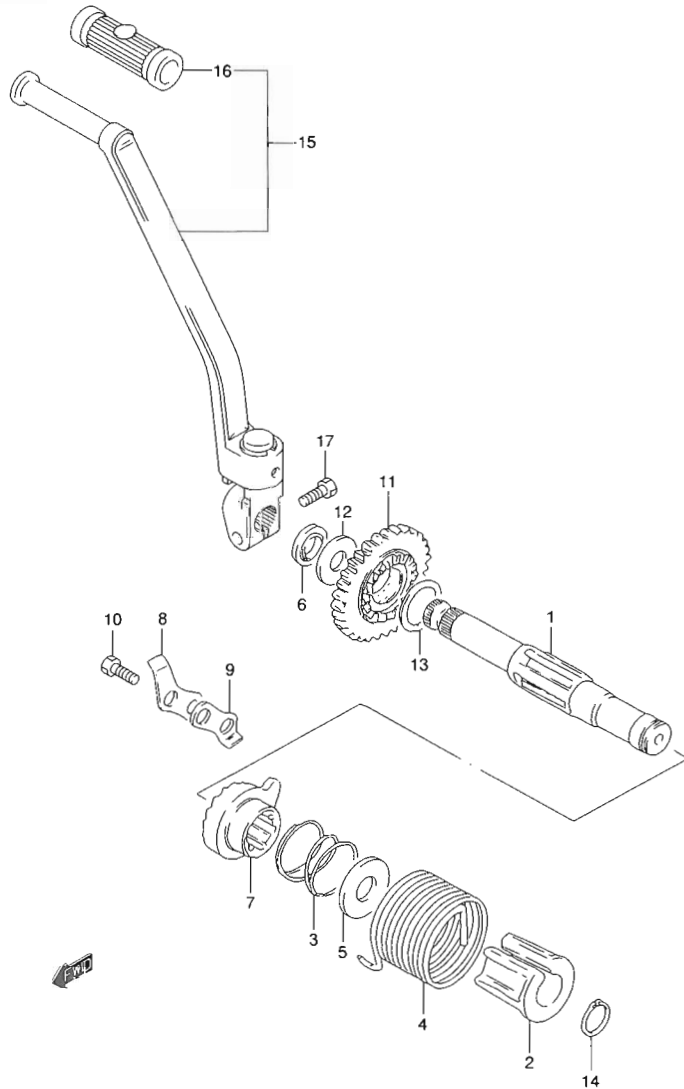


FIG.18 (D-7) KICK STARTER (EN125HUK9/HUZK9)

REF NO.	PART NO.	DESCRIPTION	Q'TY	REMARKS
1	26211-05210	SHAFT, KICK STARTER	1	
2	26221-05200	GUIDE, KICK STARTER	1	
3	09440-32006	SPRING	1	
4	09448-45003	SPRING	1	
5	08211-17341	PLATE, KICK STARTER	1	
6	09285-16003	SEAL, KICK STARTER	1	
7	26231-38202	STARTER, KICK	1	
8	26232-38200	GUIDE, KICK STARTER	1	
9	26233-32400	STOPPER, KICK STARTER	1	
10	01500-0820B	BOLT	2	
11	26240-05202	GEAR, DRIVE (NT:31)	1	
12	09160-16003	WASHER, RH (16X30.5X1.0)	1	
13	09181-20139	WASHER, LH (20X26X1.0)	1	
14	09380-17001	CIRCLIP	1	
15	26300-05310	LEVER ASSY, KICK STARTER	1	
16	26352-01000	RUBBER	1	
17	01500-08257	BOLT	1	

FIG.19

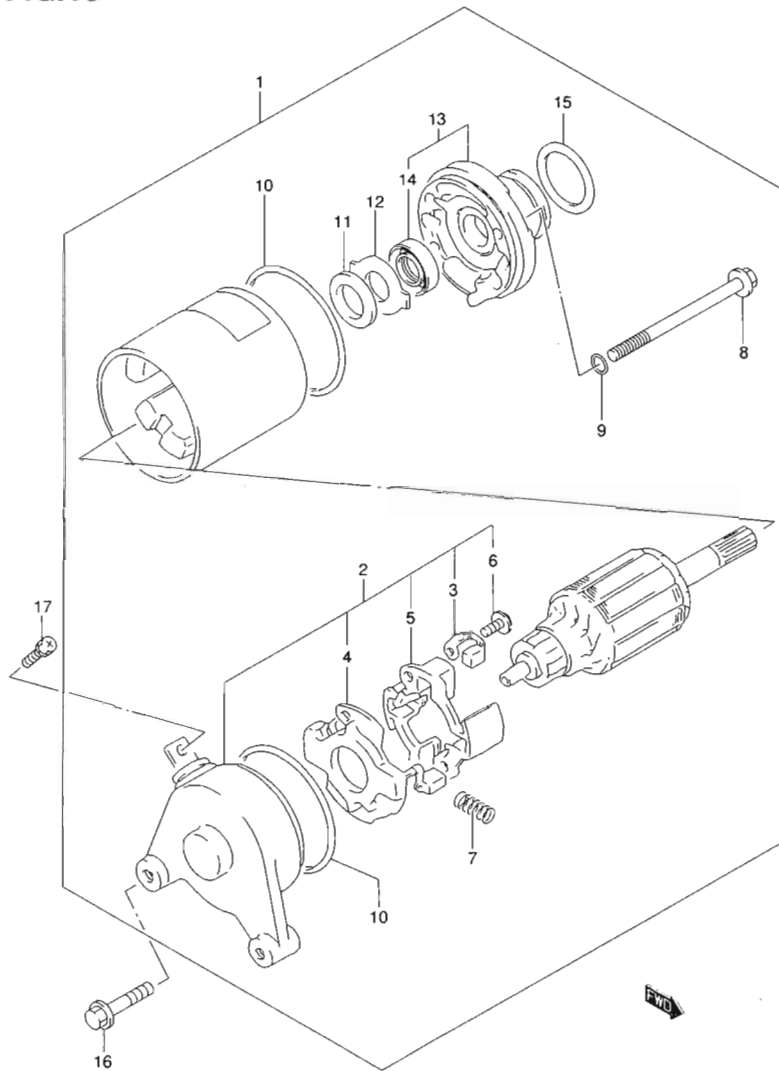


FIG.19 (D-8) STARTING MOTOR (DAICHOKOU)

REF NO.	PART NO.	DESCRIPTION	Q'TY	REMARKS
1	31100-05530	MOTOR ASSY, STARTING	1	
2	31175-05530	·FRAME ASSY, COMMUTATOR, END	1	
3	31132-05530	··BRUSH	2	
4	31130-05530	··BRUSH SUB ASSY	2	
5	31133-05530	··HOLDER BRUSH	1	
6	31134-05530	··SCREW	2	
7	31135-05530	·SPRING	4	
8	31281-05530	·BOLT	2	
9	31156-05530	·O RING	2	
10	31264-05530	·O RING	2	
11	31361-055A0	·SHIM	1	
12	31361-055B0	·PLATE, LOCK	1	
13	31150-05530	·HOUSING ASSY	1	
14	31153-05530	··SEAL OIL	1	
15	09280-24003	·O RING (D:3.0, ID:24.5)	1	
16	01547-06307	BOLT	2	
17	09137-05004	SCREW (5X8)	1	

REFER TO FIG.20 (D-9) FOR DENSO

FIG.20

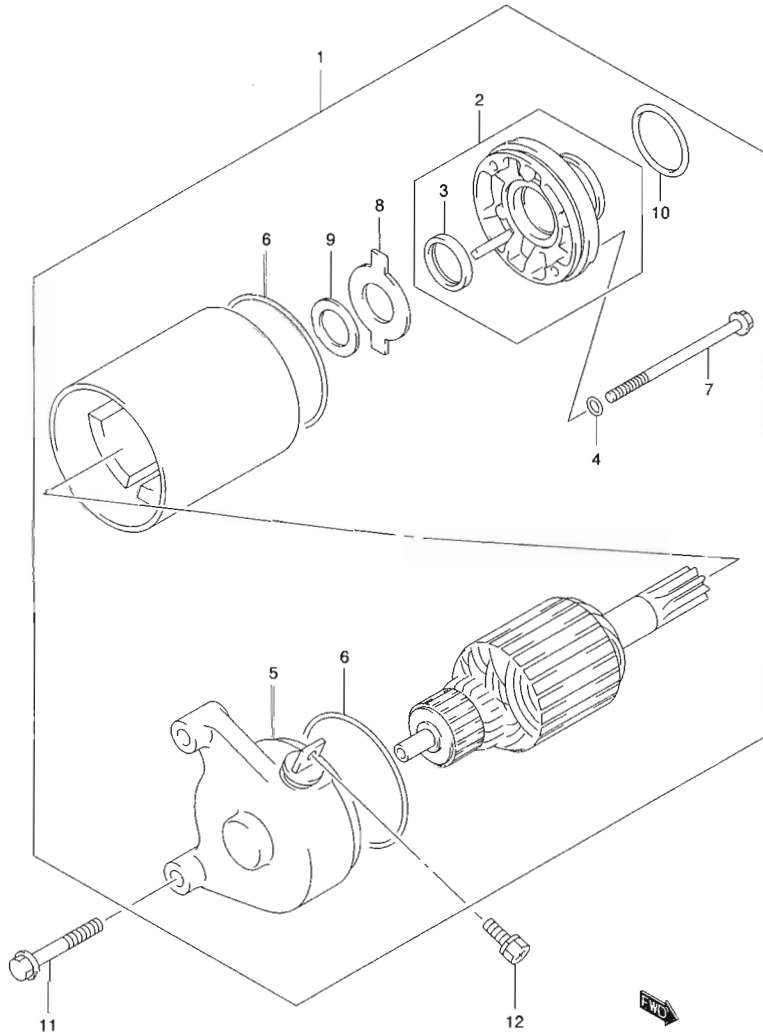


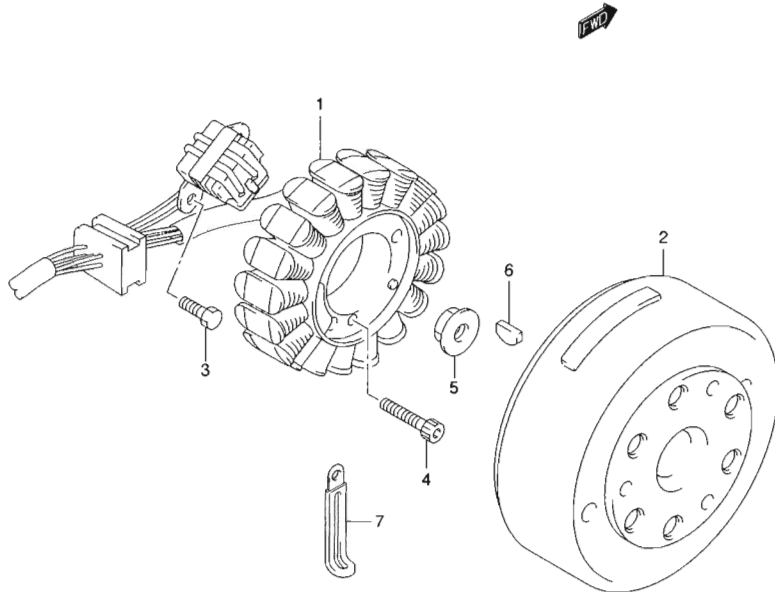
FIG.20 (D-9) STARTING MOTOR (DENSO)

REF NO.	PART NO.	DESCRIPTION	Q'TY	REMARKS
1	31100-05510	MOTOR ASSY, STARTING	1	
2	31150-08F00	·BRACKET	1	
3	31153-49210	··OIL SEAL	1	
4	31156-08F00	·O RING	2	
5	31175-26F00	·FRAME ASSY, COMMUTATOR, END	1	
6	31264-32C10	·O RING	2	
7	31281-08F00	·BOLT	2	
8	31361-32C10	·PLATE, LOCK	1	
9	31361-38300	·SHIM	1	
10	09280-24003	·O RING (D:3, ID:24.5)	1	
11	01547-06307	BOLT	2	
12	09137-05004	SCREW (5X8)	1	

FIG.21

FIG.21 (D-10) MAGNETO

REF NO.	PART NO.	DESCRIPTION	QTY	REMARKS
1	32101-12F40	STATOR ASSY	1	
2	32102-12F40	ROTOR, FLYWHEEL	1	
3	02112-0525B	SCREW, STATOR	3	
4	02142-0412B	SCREW, SENSOR	2	
5	08316-1010B	NUT	1	
6	08341-31039	KEY	1	
7	09404-06429	CLAMP (L:45)	1	EN125-2AK9



3

FIG.22

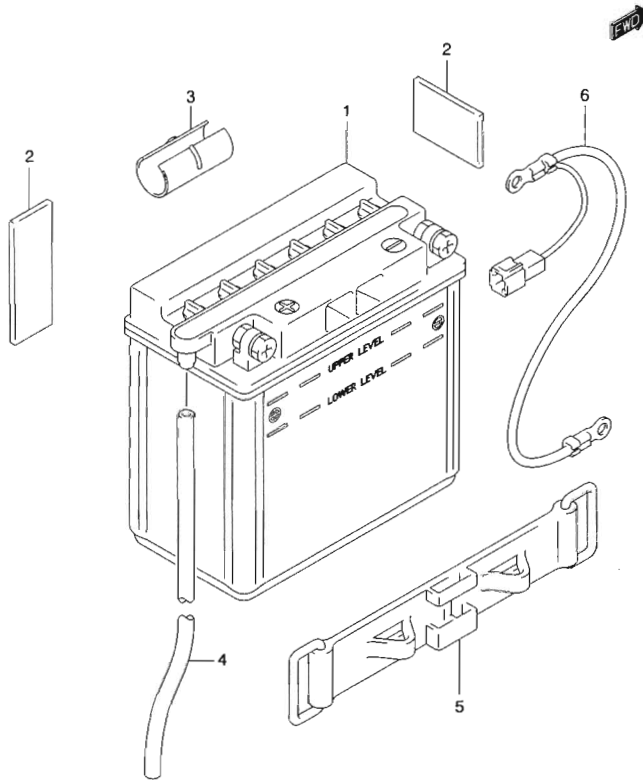


FIG.22 (D-11) BATTERY

REF NO.	PART NO.	DESCRIPTION	QTY	REMARKS
1	33610-45F10	BATTERY (CB7-A, 12V, 8AH)	1	
2	33652-38000	PROTECTOR (30X40X3)	4	
3	33652-05310	PROTECTOR, BATTERY	1	
4	33680-16A10	HOSE, BATTERY EXHAUST	1	L:780→450
5	33651-45F10	BAND	1	
6	33860-05550	LEAD WIRE, BATTERY (-)	1	

FIG.23

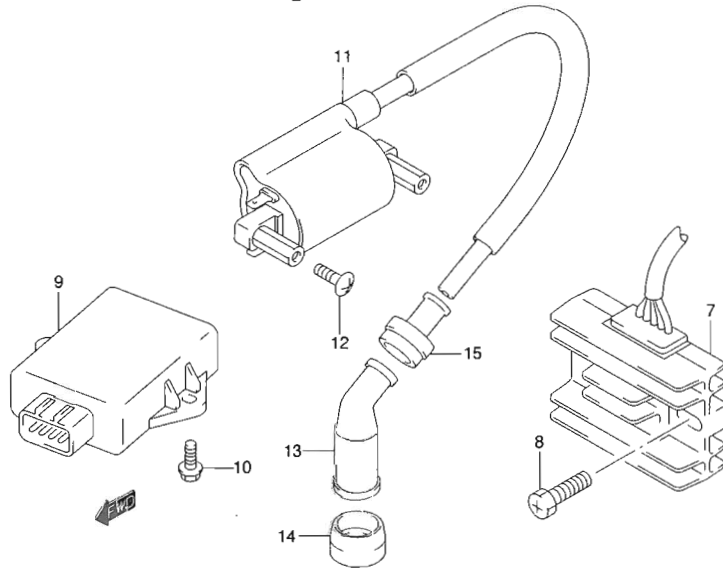
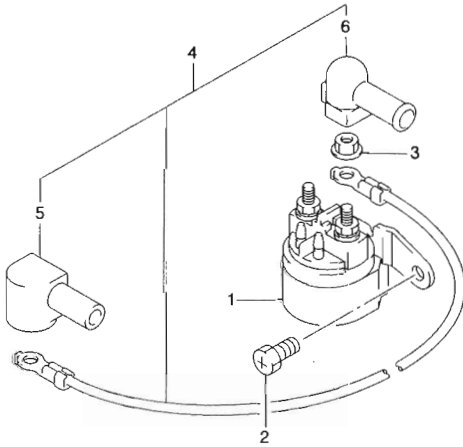


FIG.23 (D-12) ELECTRICAL

REF NO.	PART NO.	DESCRIPTION	Q'TY	REMARKS
1	31800-49110	RELAY ASSY, STARTING MOTOR	1	
2	09128-06004	SCREW	2	
3	08361-3506A	NUT	2	
4	33810-05310	LEAD WIRE, STARTING MOTOR	1	
5	31861-31500	·CAP, STARTER RELAY TERMINAL	1	
6	31861-06C00	·CAP, STARTER MOTOR	1	
7	32800-37G10	RECTIFIER, REGULATOR	1	
8	09128-06006	BOLT (5X20)	2	
9	32900-053A0	IGNITER ASSY	1	
10	01550-0616B	SCREW, IGNITER	2	
11	33410-053B0	COIL ASSY, IGNITION	1	
12	02142-0510B	SCREW	2	
13	33510-04H00	CAP, SPARK PLUG	1	
14	33541-38210	SEAL, SPARK PLUG	1	
15	33542-38B00	SEAL, HIGH TENSION CORD	1	

3

FIG.24

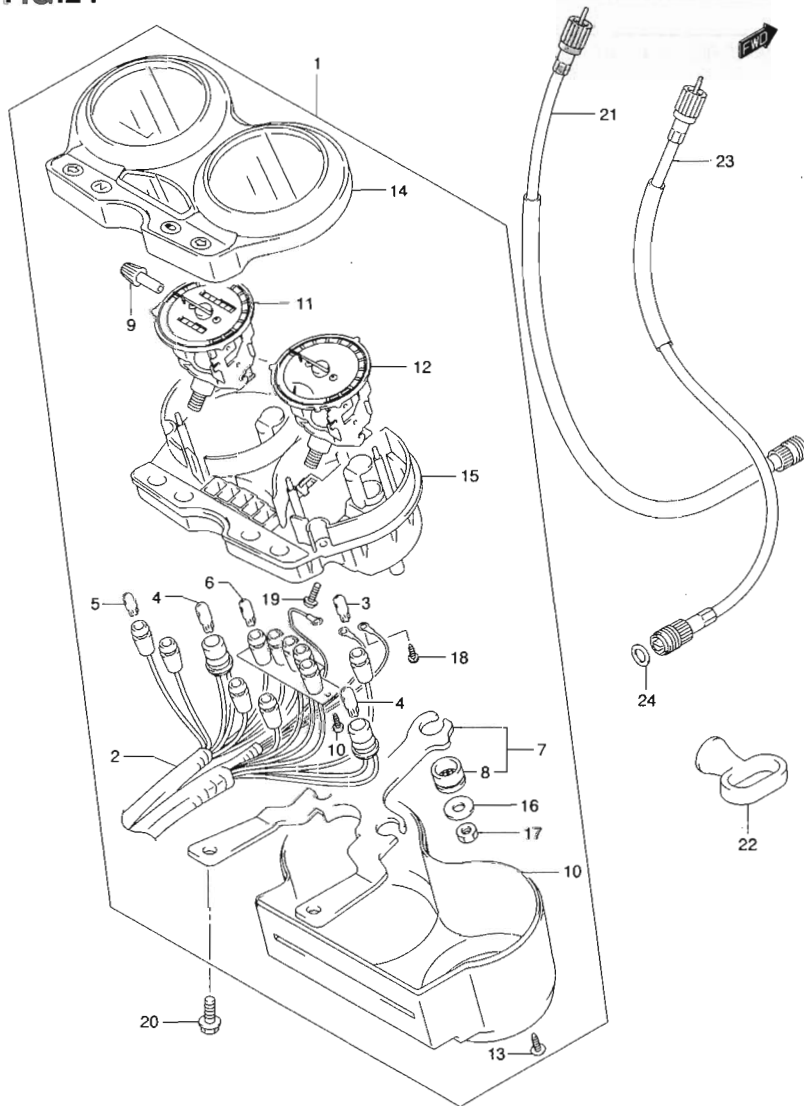


FIG.24 (D-13) SPEEDOMETER

REF NO.	PART NO.	DESCRIPTION	QTY	REMARKS
1	34100-45F60	SPEEDOMETER ASSY	1	
2	34173-45F60	·CORD ASSY	1	
3	09471-12196	·BULB (12V2W)	2	
4	09471-12103	·BULB (12V3.4W)	4	
5	09471-12077	·BULB (12V1.7W)	2	
6	09471-12071	·BULB (14V1.12W)	5	
7	34950-34G10	·BRACKET	1	
8	34191-34G10	··CUSHION	3	
9	34124-34G10	·NOB	1	
10	34152-34G10	·COVER	1	
11	34110-34G30	·SPEEDOMETER	1	
12	34210-34G30	·TACHOMETER	1	
13	02112-0416B	·SCREW	4	
14	34150-34G30	·CASE, UPPER	1	
15	34111-34G30	·CASE, LOWER	1	
16	08322-01063	·GASKET	3	
17	08310-00063	·NUT	3	
18	09132-03017	·SCREW (3X14)	3	
19	02112-0412B	·SCREW	4	
20	01550-0812B	BOLT	2	
21-1	34910-45F01	CABLE ASSY, SPEEDOMETER	1	EN125-2AK9
21-2	34910-01G11	CABLE ASSY, SPEEDOMETER	1	EN125HUK9/HUZK9
22-1	58621-45F00	GUIDE, SPEEDOMETER CABL	1	EN125-2AK9
22-2	58621-45F10	GUIDE, SPEEDOMETER CABL	1	EN125HUK9/HUZK9
23-1	34940-05380	CABLE ASSY, TACHOMETER	1	EN125-2AK9
23-2	34940-05331	CABLE ASSY, TACHOMETER	1	EN125HUK9/HUZK9
24	34943-05500	SEAL, TACHOMETER CABLE	1	

FIG.25

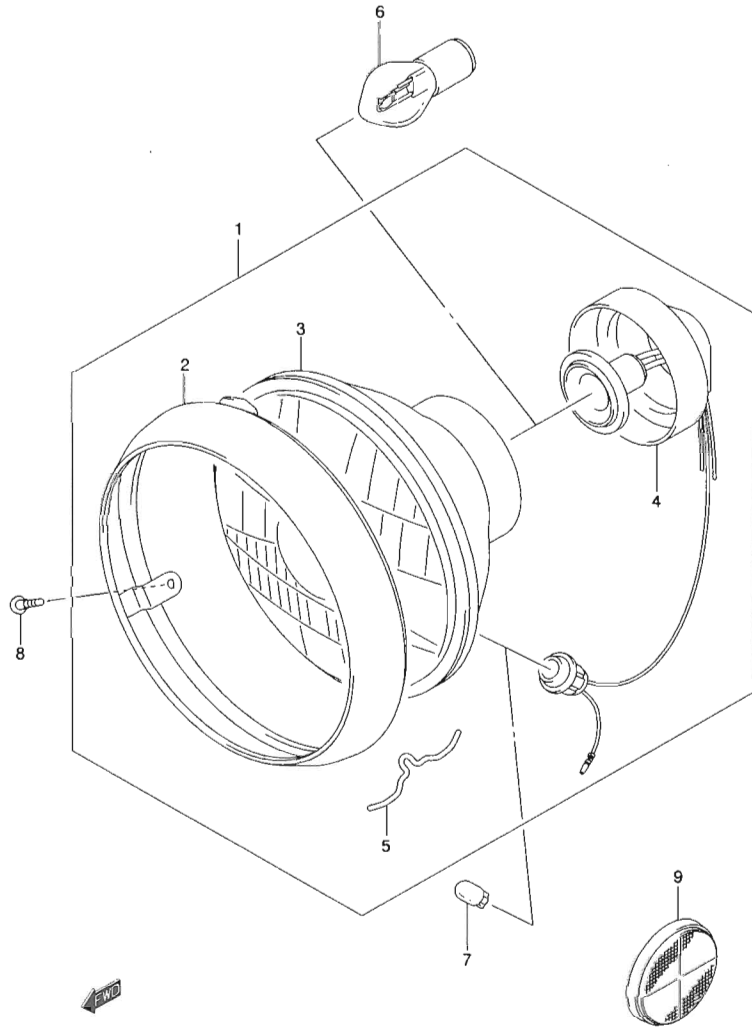


FIG.25 (E-2) HEADLAMP

REF NO.	PART NO.	DESCRIPTION	Q'TY	REMARKS
1	35100-29B60-999	HEADLAMP ASSY	1	
2	35111-29B60	·RIM	1	
3	35121-29B60	·UNIT	1	
4	35171-29B60	·CORD ASSY	1	
5	35172-29B60	·SPRING	3	
6	09471-12020	BULB (12V35/35W)	1	
7	09471-12081	BULB (12V5W)	1	
8	35181-45F10	SCREW, HEADLAMP	2	
9	35950-04H11	REFLECTOR ASSY, FRONT SIDE	2	EN125-2AK9

3

FIG.26

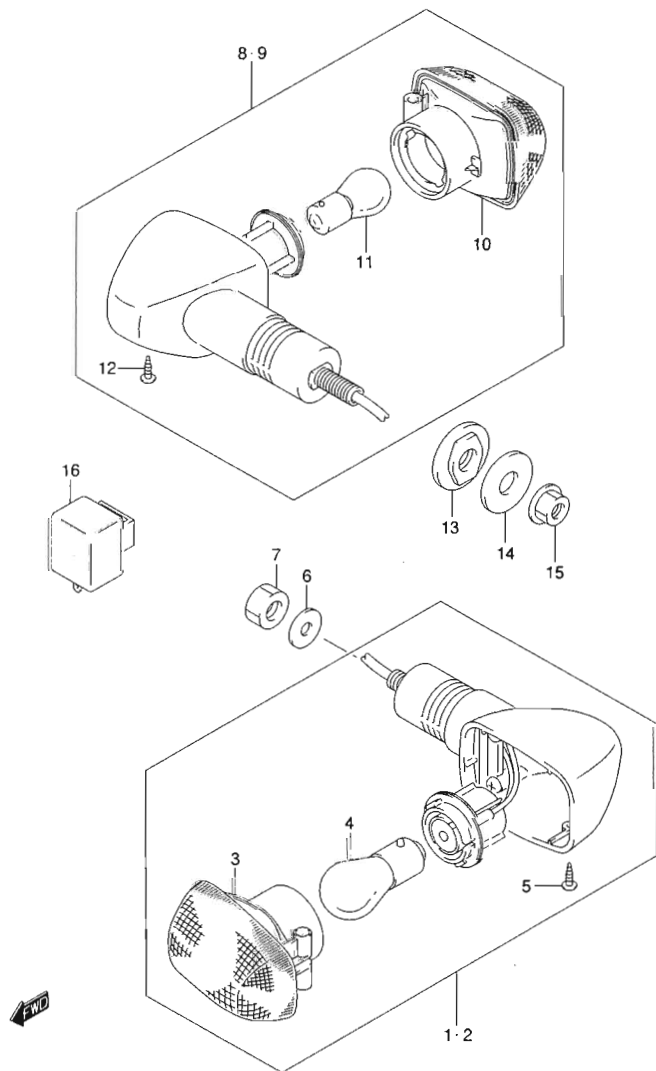


FIG.26 (E-3) TURN SIGNAL LAMP

REF NO.	PART NO.	DESCRIPTION	QTY	REMARKS
1	35601-45F00	LAMP ASSY, FRONT, RH	1	
2	35602-45F00	LAMP ASSY, FRONT, LH	1	
3	35652-45F00	·LENS	2	
4	09471-12045	·BULB (12V,21W)	2	
5	03211-04163	·SCREW	2	
6	09160-10501	WASHER (10.5X30X2.3)	2	
7	08310-0010B	NUT	2	
8	35603-28D10	LAMP ASSY, REAR, RH	1	
9	35604-28D10	LAMP ASSY, REAR, LH	1	
10	35652-45F00	·LENS	2	
11	09471-12045	·BULB (12V,21W)	2	
12	03211-04163	·SCREW	2	
13	35695-17C00	SPACER, REAR	2	
14	09160-10501	WASHER (10.5X30X2.3)	2	
15	08316-1010B	NUT	2	
16	38610-31320	RELAY ASSY, TURN SIGNAL	1	

FIG.27

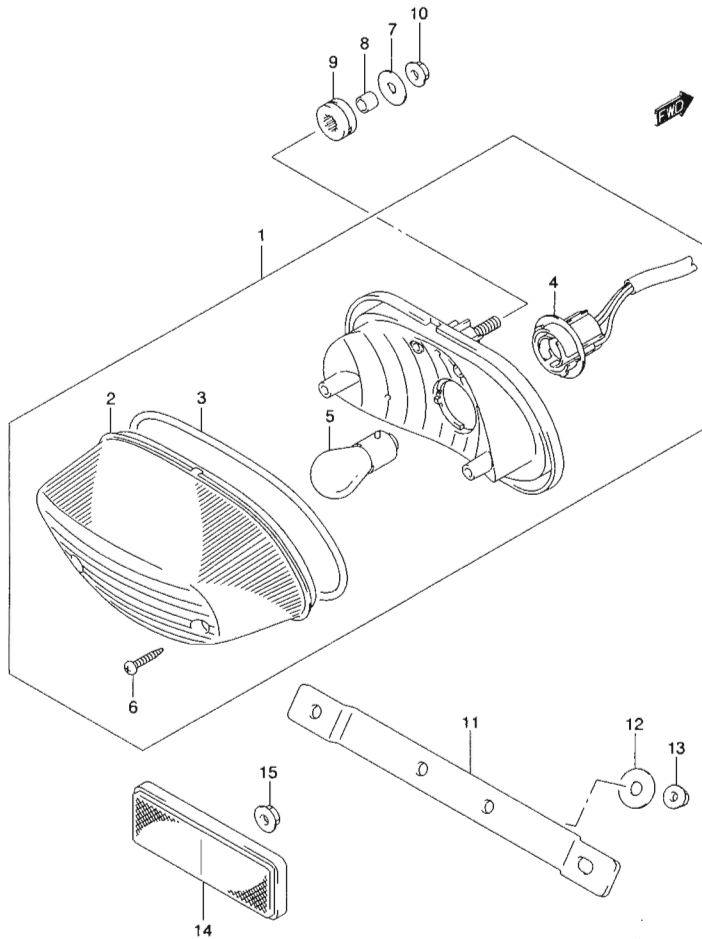


FIG.27 (E-4) REAR COMBINATION LAMP

REF NO.	PART NO.	DESCRIPTION	QTY	REMARKS
1	35710-45F00	LAMP ASSY, REAR COMB	1	
2	35712-45F00	·LENS	1	
3	35713-45F00	·GASKET	1	
4	35718-45F00	·SOCKET & CORD	1	
5	09471-12128	·BULB (12V21/5W)	1	
6	03211-04203	·SCREW	2	
7	09160-06088	WASHER (6.5X20X1.6)	3	
8	09180-06285	SPACER (6.5X10X9)	3	
9	09320-09009	CUSHION	3	
10	08316-1006B	NIT	3	
11	35927-05320	BRACKET, LICENSE PLATE	1	
12	09160-06088	WASHER (6.5X20X1.6)	2	
13	08310-0006A	NUT	2	
14	35970-04H01	REFLEX REFLECTOR ASSY, REAR	1	
15	08316-1005B	NUT	1	

3

FIG.28

FIG.28 (E-5) WIRING HARNESS

REF NO.	PART NO.	DESCRIPTION	QTY	REMARKS
1	36610-45F60	WIRING HARNESS	1	
2	09481-15001	·FUSE (15A)	1	
3	31861-10D00	·CAP, STARTER RELAY	1	
4	33624-43500	·CAP, BATTERY PLUS	1	
5	36651-055J0	·CLAMP	1	
6	09404-06433	CLAMP (L:80)	2	
7	09404-06431	CLAMP (L:65)	2	
8	09407-14403	CLAMP (L:125)	8	
9	09407-18402	CLAMP (L:165)	3	
10	09407-25401	CLAMP (L:235)	1	
11	36619-37300	CLAMP	1	
12	03541-0410B	SCREW	2	
13	37100-45F00	LOCK ASSY, STEERING	1	
14	02112-3620B	BOLT	2	
15	37740-12F00	SWITCH, ASSY, STOP LAMP	1	
16	09443-06012	SPRING	1	
17	38500-055D2	HORN ASSY	1	
18	01550-0816B	BOLT	1	

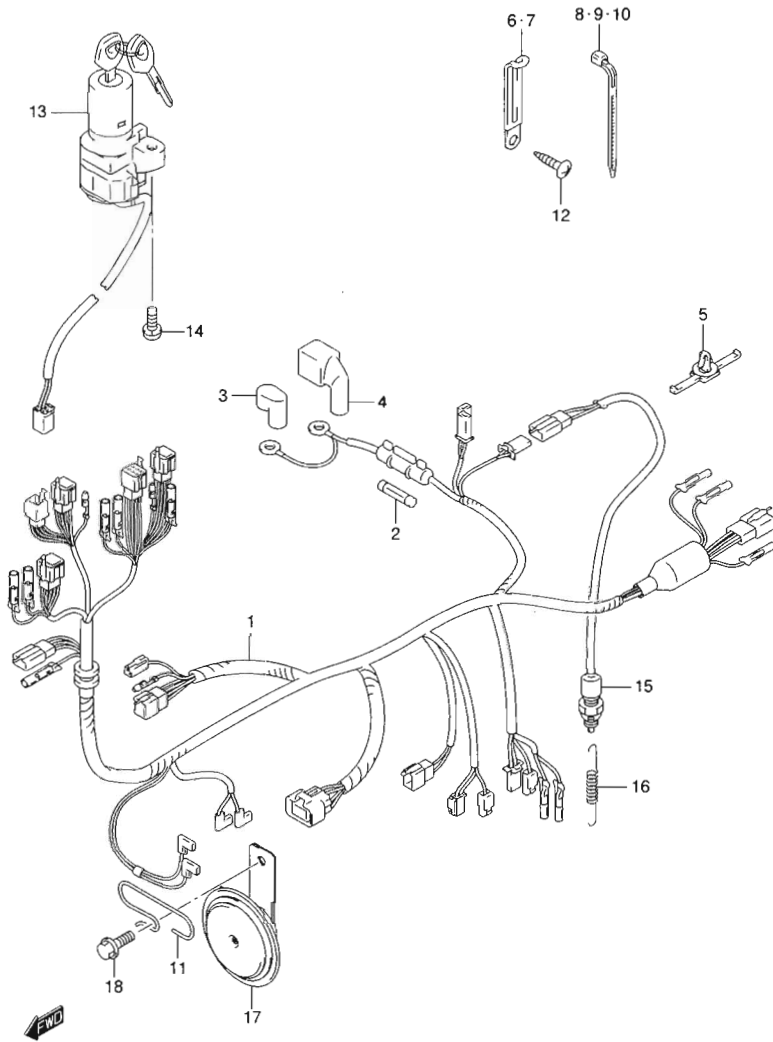


FIG.29

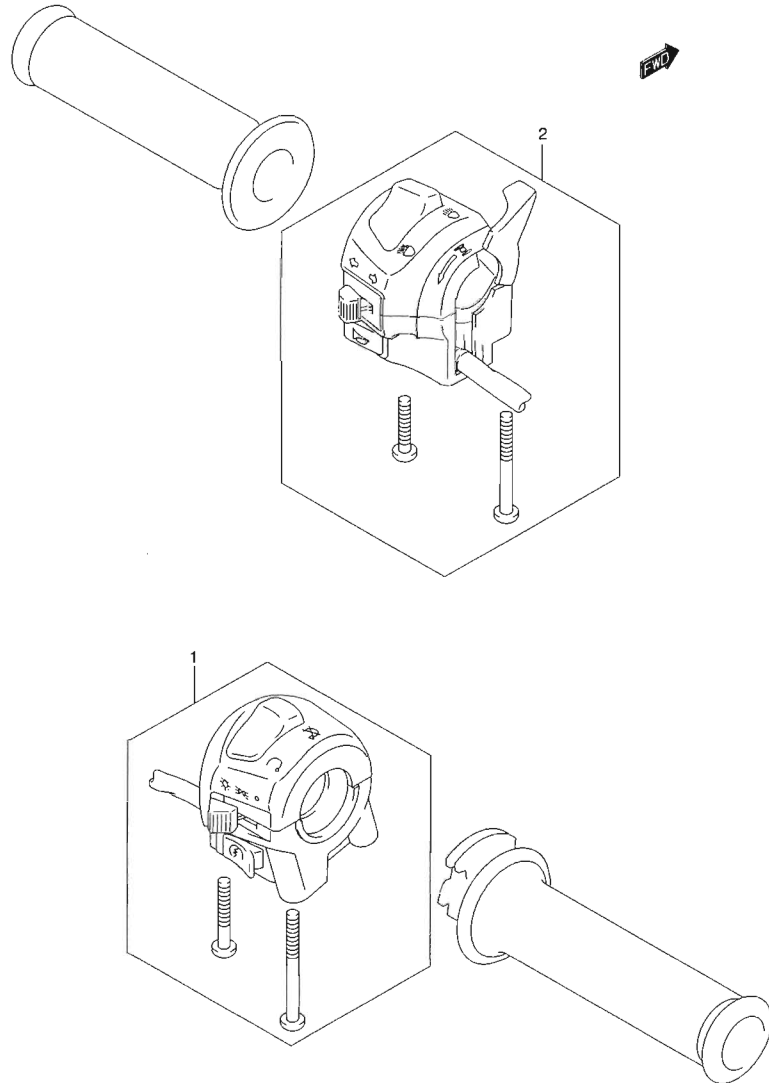


FIG.29 (E-6) HANDLE SWITCH

REF NO.	PART NO.	DESCRIPTION	QTY	REMARKS
1	37200-45F60	SWITCH ASSY, HANDLE, R	1	
2	37400-45F60	SWITCH ASSY, HANDLE, L	1	

FIG.30

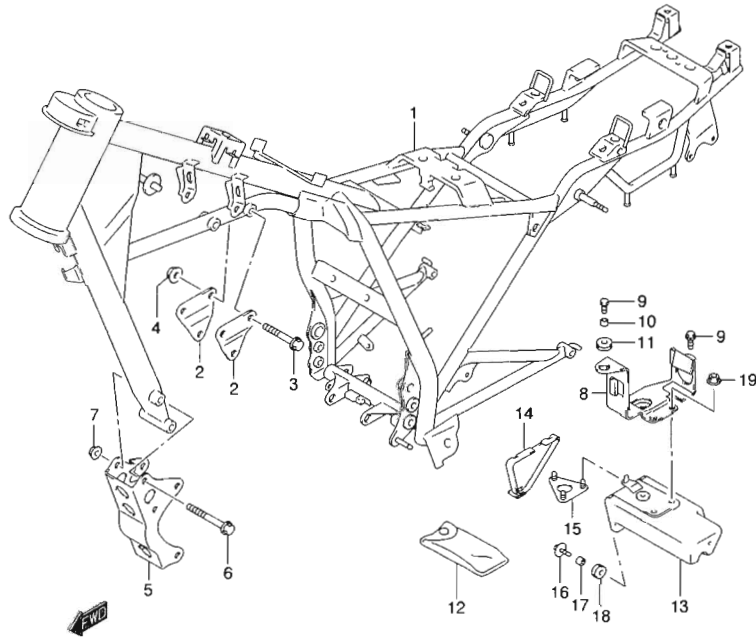


FIG.30 (F-2) FRAME

REF NO.	PART NO.	DESCRIPTION	QTY	REMARKS
1-1	41100-45FE0	FRAME	1	EN125-2A
1-2	41100-45FD0	FRAME	1	EN125HU/HUZ
2	41991-05301	PLATE, UPPER	2	
3	09103-08081	BOLT	2	
4	08319-3108A	NUT	2	
5	41992-05301	PLATE, LOWER	1	
6	01550-0870A	BOLT, LOWER	2	
7	08319-3108A	NUT	2	
8	41540-05301	HOLDER, BATTERY	1	
9	09116-06168	BOLT, REAR	2	
10	09180-06038	SPACER	2	
11	09320-08021	CUSHION	2	
12	96510-45F10	TOOL ASSY	1	
13	47431-05300	BOX, TOOL	1	
14	47432-05300	CAP	1	
15	47440-05301	PLATE	1	
16	09116-06168	BOLT	1	
17	09180-06038	SPACER	1	
18	09320-08021	CUSHION	1	
19	08316-1006B	NUT	3	

FIG.31

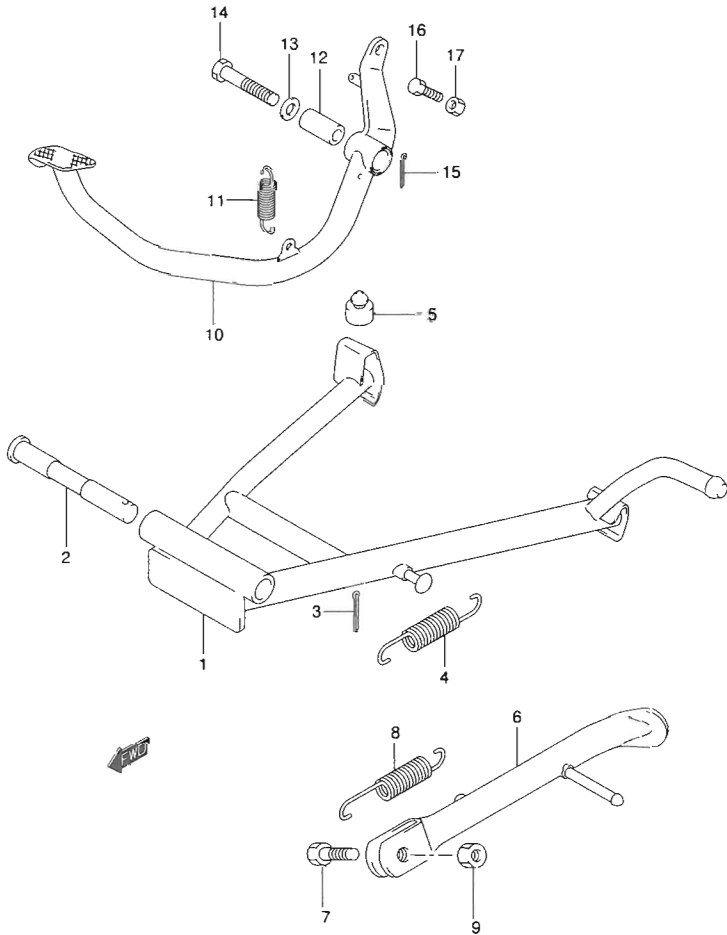


FIG.31 (F-3) STAND

REF NO.	PART NO.	DESCRIPTION	QTY	REMARKS
1	42100-45F00	STAND, CENTER	1	
2	42211-36504	SHAFT	1	
3	04111-2525A	COTTER PIN	1	
4	09443-18002	SPRING	1	
5	42278-26H00	CUSHION	1	
6	42310-45F00	STAND, PROP	1	
7	09100-10501	BOLT	1	
8	09443-17007	SPRING	1	
9	09140-10043	NUT	1	
10	43110-45F01	PEDAL, BRAKE	1	
11	09443-14015	SPRING	1	
12	43231-05302	SPACER	1	
13	08322-0110B	WASHER	1	
14	43213-45F00	BOLT	1	
15	04111-2020A	COTTER PIN	1	
16	43159-45F00	BOLT	1	
17	08310-0006B	NUT	1	

4

FIG.32

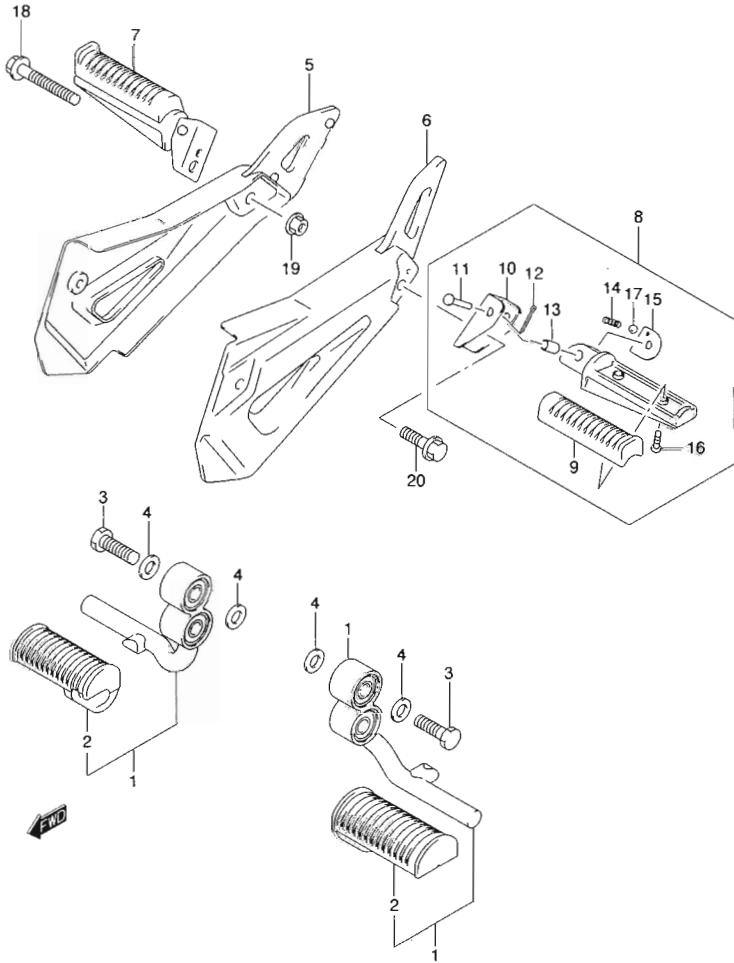


FIG.32 (F-4) FOOTREST (EN125-2A)

REF NO.	PART NO.	DESCRIPTION	QTY	REMARKS
1	43501-45F00	FOOTREST ASSY, FRONT	2	
2	43551-36500	·RUBBER	2	
3	43539-45F00	BOLT	4	
4	09160-10124	WASHER	8	
5	43811-45F00	COVER, RH	1	
6	43821-45F01	COVER, LH	1	
7	43600-45F00	FOOTREST, PILLION RH	1	
8	43700-45F00	FOOTREST, PILLION LH	1	
9	43550-45F00	·RUBBER	2	
10	43621-45F00	·HOLDER	2	
11	09200-06040	·PIN	2	
12	04111-16146	·COTTER PIN	2	
13	43611-45F00	·SPACER	2	
14	43613-45F00	·SPRING	2	
15	43614-45F00	·PLATE	2	
16	02112-05143	·SCREW	4	
17	06111-08004	·STOPPER	2	
18	01550-1050B	BOLT, RH	1	
19	08316-1010B	NUT, RH	1	
20	01550-1030B	BOLT, LH	1	

REFER TO FIG.28A (F- 5) FOR EN125HU/HUZ

FIG.33

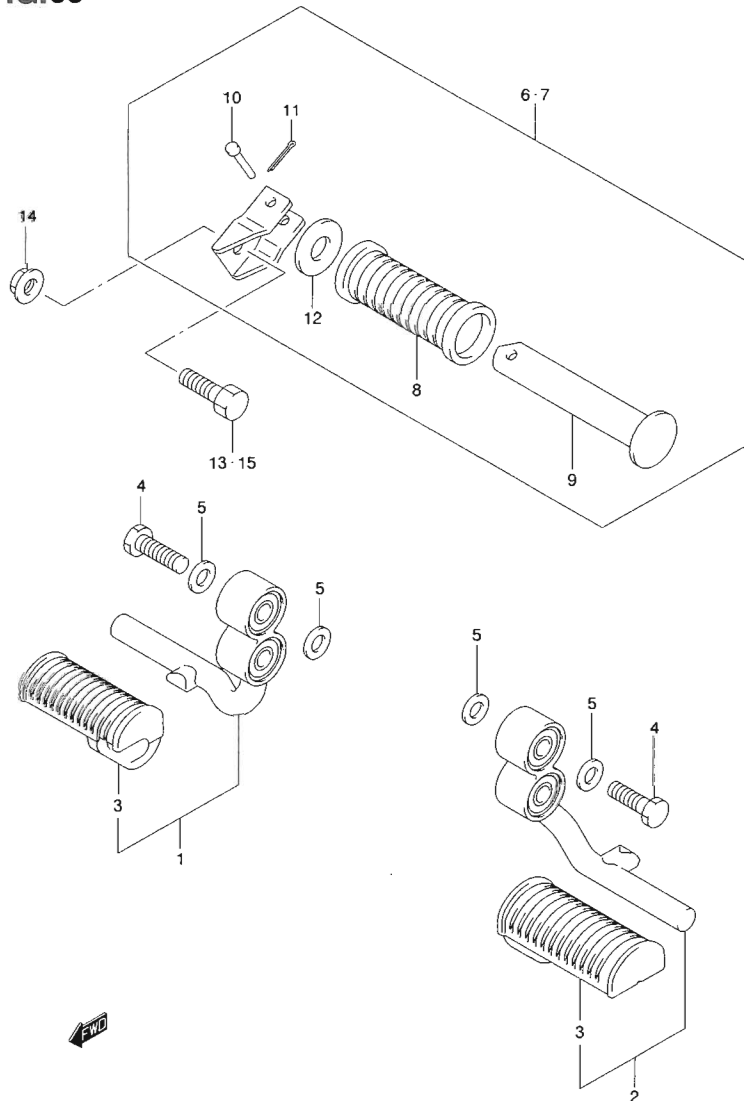


FIG.33 (F-5) FOOTREST (EN125HU/HUZ)

REF NO.	PART NO.	DESCRIPTION	QTY	REMARKS
1	43501-45F00	FOOTREST ASSY, FRONT RH	1	
2	43501-45F20	FOOTREST ASSY, FRONT LH	1	
3	43551-36500	·RUBBER	2	
4	43539-45F00	BOLT	4	
5	09160-10124	WASHER	8	
6	43600-05301	FOOTREST, PILLION RH	1	
7	43700-05301	FOOTREST, PILLION LH	1	
8	43612-33200	·RUBBER	2	
9	43610-03001	·BAR	2	
10	09200-06033	·PIN	2	
11	04111-2015A	·COTTER PIN	2	
12	09160-19024	·WASHER	2	
13	01550-1050B	BOLT, RH	1	
14	08316-1010B	NUT, RH	1	
15	01550-1030B	BOLT, LH	1	

4

FIG.34

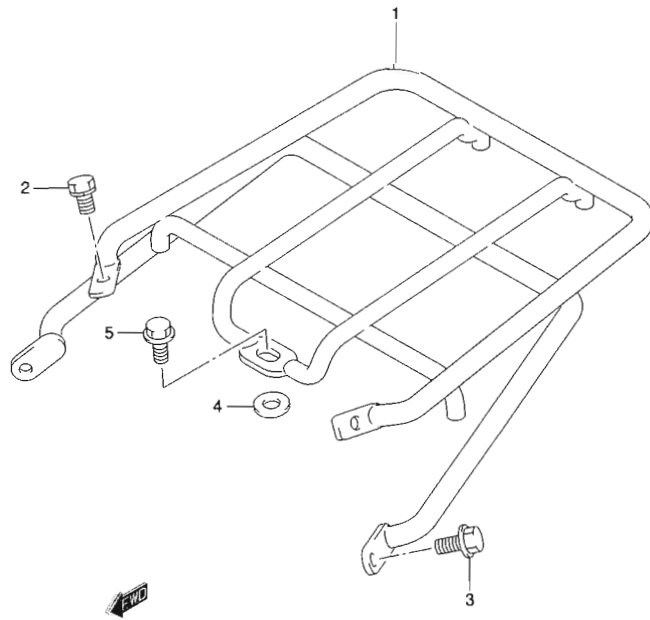


FIG.34 (F-6) CARRIER (EN125-2A)

REF NO.	PART NO.	DESCRIPTION	QTY	REMARKS
1	46310-45F01	CARRIER, REAR	1	
2	01570-0612B	BOLT, UPPER	2	
3	01550-0616B	BOLT, LOWER	2	
4	46149-45F00	WASHER, REAR	1	
5	01550-0616B	BOLT, REAR	1	

REFER TO FIG.35 (F-7) FOR EN125HU/HUZ

FIG.35

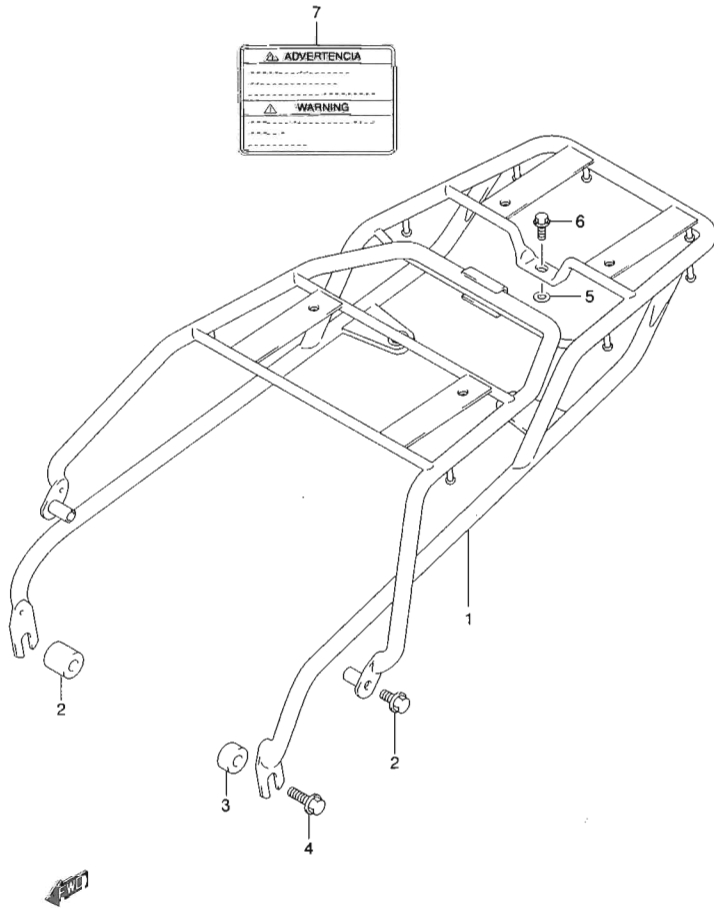


FIG.35 (F-7) CARRIER (EN125HU/HUZ)

REF. NO.	PART NO.	DESCRIPTION	QTY	REMARKS
1	46310-45F10	CARRIER, REAR	1	
2	46141-45F10	SPACER, BODY RH	1	
3	46142-45F10	SPACER, BODY LH	1	
4	01550-0825B	BOLT	2	
5	46212-45F00	CUSHION, REAR	2	
6	01550-0616B	BOLT, REAR	1	
7	68391-45F30	LABEL, CARRIER	1	

4

FIG.36

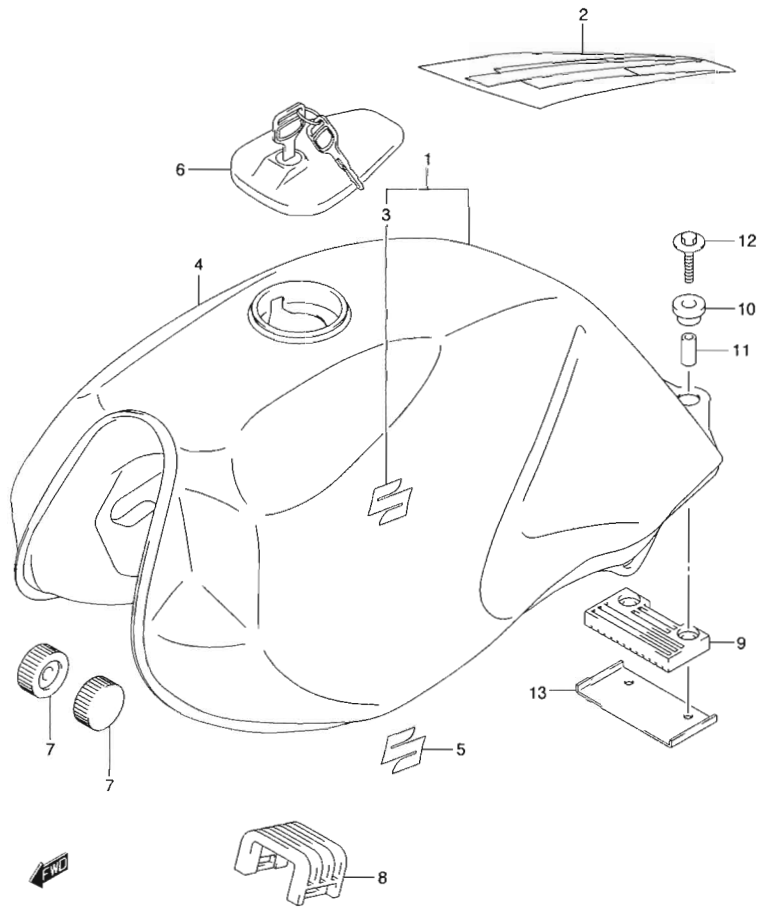


FIG.36 (F-8) FUEL TANK

REF NO.	PART NO.	DESCRIPTION	QTY	REMARKS
1-1	44100-45FU0-YFZ	TANK ASSY, FUEL (RED)	1	EN125-2A, EN125HU
1-2	44100-45FU0-YGB	TANK ASSY, FUEL (BLUE)	1	EN125-2A, EN125HU
1-3	44100-45FU0-YHP	TANK ASSY, FUEL (BLACK)	1	
2-1	68110-45F50-YFZ	·TAPE SET (RED)	1	
2-2	68110-45F50-YGB	·TAPE SET (BLUE)	1	
2-3	68110-45F50-YHP	·TAPE SET (BLACK)	1	
3	68111-18G20	·EMBLEM	2	
4	49100-45F00-YNZ	TANK ASSY, FUEL (WHITE)	1	EN125HUZ
5	68111-18G20	EMBLEM	2	EN125HUZ
6	44200-45FB0	CAP SET, FUEL	1	
7	09329-10016	CUSHION, FRONT	2	
8	44541-38200	CUSHION, UPPER FRONT	1	
9	44542-45F00	CUSHION, UPPER REAR	1	
10	09320-10022	CUSHION REAR, NO.2	2	
11	44544-45F00	SPACER	2	
12	09116-06084	BOLT	2	
13	44548-45F00	PLATE, CUSHION	1	

FIG.37

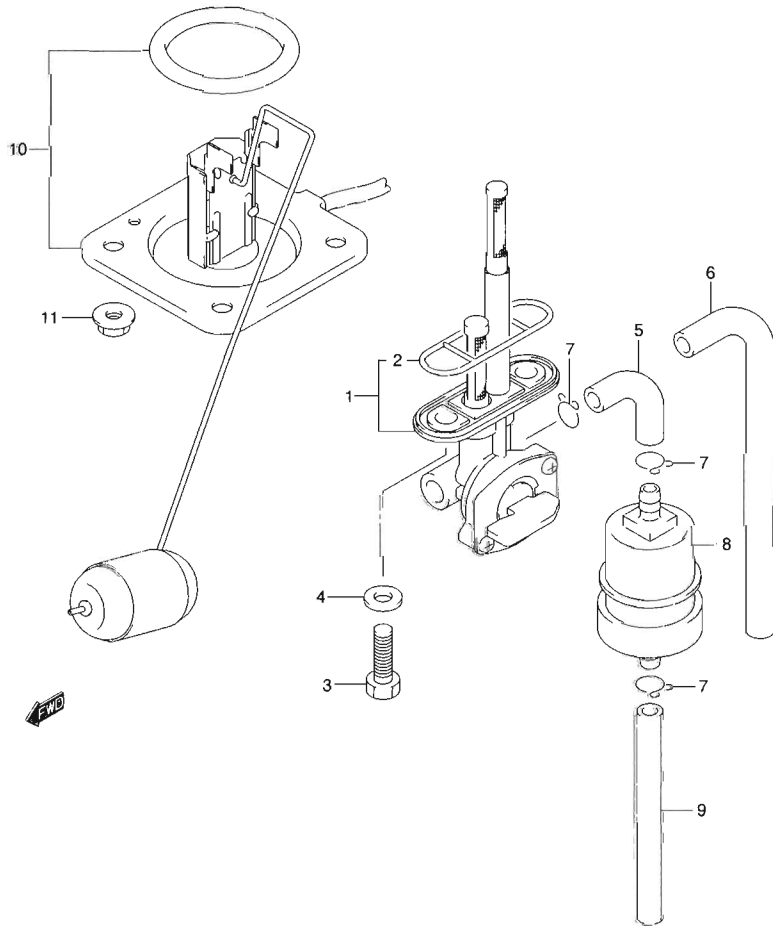


FIG.37 (F-9) FUEL COCK

REF NO.	PART NO.	DESCRIPTION	QTY	REMARKS
1	44300-45F10	COCK ASSY, FUEL	1	
2	44348-87420	O RING, JOINT	1	
3	09128-06006	BOLT	2	
4	09168-06026	GASKET	2	
5	44421-45F10	HOSE, FUEL (UPPER)	1	EN125-2A
6	44421-45F30	HOSE, FUEL	1	EN125HU/HUZ
7	09401-08401	CLIP	4	
8	44330-45F10	FILTER, FUEL	1	EN125-2A
9	44422-45F10	HOSE, FUEL LOWER	1	EN125-2A
10	34810-45F00	GAUGE ASSY, FUEL LEVEL	1	
11	08316-10068	NUT	4	

4

FIG.38

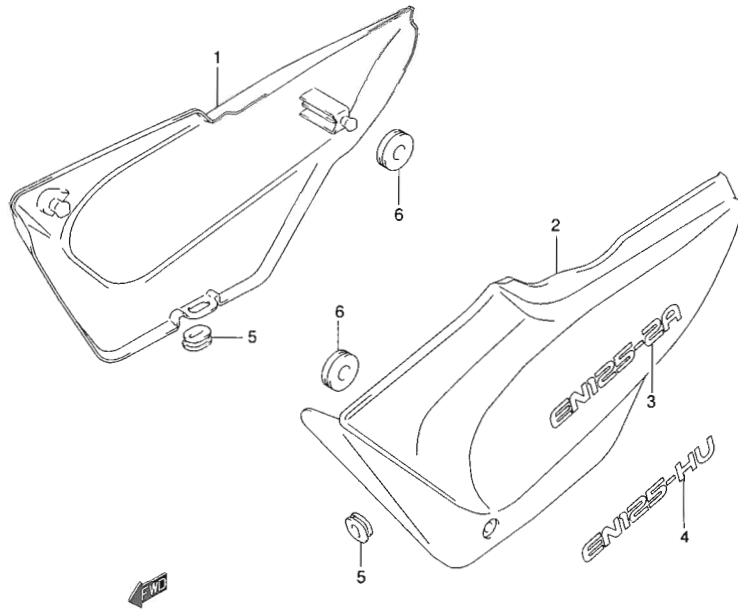


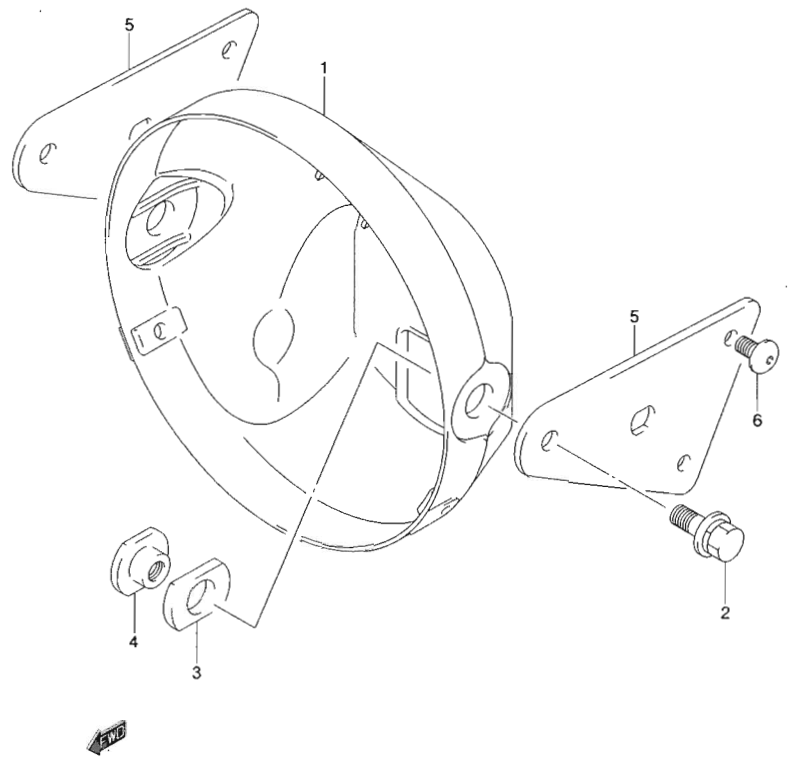
FIG.38 (F-10) FRAME COVER

REF NO.	PART NO.	DESCRIPTION	QTY	REMARKS
1-1	47111-45F00-YFZ	COVER, FRAME RH (RED)	1	EN125-2A, EN125HU
1-2	47111-45F00-YGB	COVER, FRAME RH (BLUE)	1	EN125-2A, EN125HU
1-3	47111-45F00-YHP	COVER, FRAME RH (BLACK)	1	EN125-2A, EN125HU
1-4	47111-45F00-YNZ	COVER, FRAME RH (WHITE)	1	EN125HUZ
2-1	47211-45F00-YFZ	COVER, FRAME LH (RED)	1	EN125-2A, EN125HU
2-2	47211-45F00-YGB	COVER, FRAME LH (BLUE)	1	EN125-2A, EN125HU
2-3	47211-45F00-YHP	COVER, FRAME LH (BLACK)	1	EN125-2A, EN125HU
2-4	47211-45F00-YNZ	COVER, FRAME LH (WHITE)	1	EN125HUZ
3-1	68131-45F10-YFZ	EMBLEM (RED)	2	EN125-2A
3-2	68131-45F10-YGB	EMBLEM (BLUE)	2	EN125-2A
3-3	68131-45F10-YGE	EMBLEM (GRAY)	2	EN125-2A
4-1	68131-45F20-YFZ	EMBLEM (RED)	2	EN125HU
4-2	68131-45F20-YGB	EMBLEM (BLUE)	2	EN125HU
4-3	68131-45F20-YGE	EMBLEM (GRAY)	2	EN125HU
4-4	68131-45F20-YNZ	EMBLEM (WHITE)	2	EN125HUZ
5	09320-03004	CUSHION, LOWER RH	2	
6	09320-08018	CUSHION	4	

FIG.39

FIG.39 (F-11) HEADLAMP HOUSING

REF NO.	PART NO.	DESCRIPTION	QTY	REMARKS
1	51811-45F20	HOUSING, HEADLAMP	1	
2	01264-08207	BOLT	2	
3	51827-45F10	CUSHION	2	
4	51825-45F10	NUT	2	
5	51851-45F10	PLATE	2	
6	51859-45F10	BOLT	4	



4

FIG.40

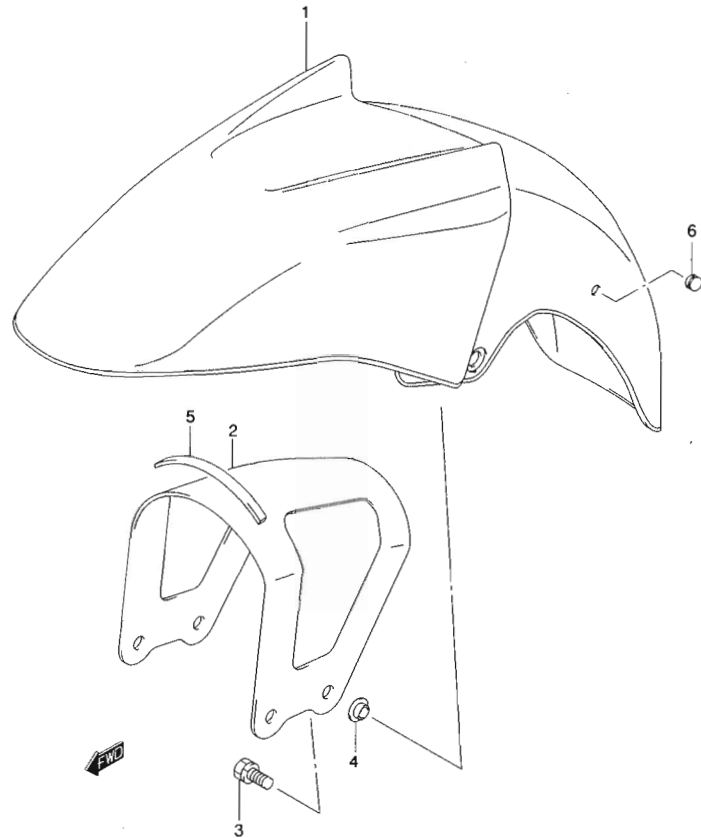


FIG.40 (F-12) FRONT FENDER

REF NO.	PART NO.	DESCRIPTION	QTY	REMARKS
1-1	53111-45F02-YFZ	FENDER, FRONT (RED)	1	EN125-2A
1-2	53111-45F02-YGB	FENDER, FRONT (BLUE)	1	EN125-2A
1-3	53111-45F02-YHP	FENDER, FRONT (BLACK)	1	EN125-2A
1-4	53111-45F12-YFZ	FENDER, FRONT (RED)	1	EN125HU
1-5	53111-45F12-YGB	FENDER, FRONT (BLUE)	1	EN125HU
1-6	53111-45F12-YGE	FENDER, FRONT (GRAY)	1	EN125HU
1-7	53111-45F12-YNZ	FENDER, FRONT (WHITE)	1	EN125HUZ
2	53112-45F01	BRACE	1	
3	01570-0816B	BOLT	4	
4	09169-08034	WASHER	4	
5	53145-45F10	CUSHION	1	
6	53149-45F00	CAP	1	EN125HU/HUZ

FIG.41

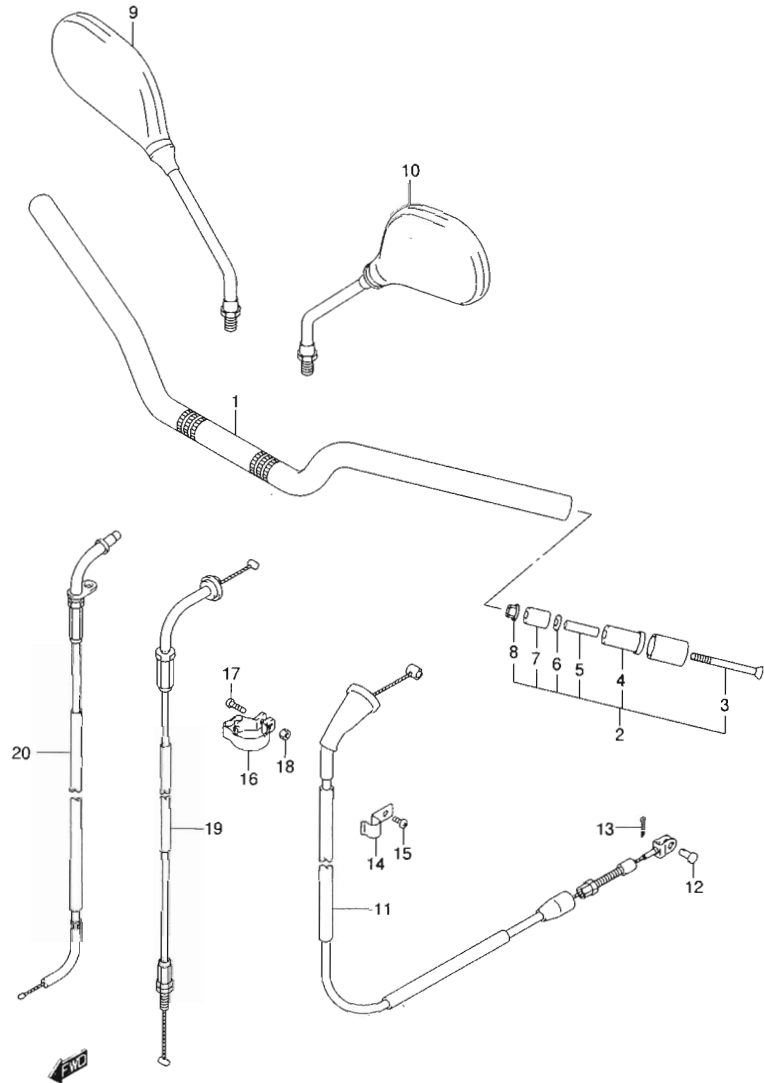


FIG.41 (F-13) HANDLEBAR (EN125-2A)

REF NO.	PART NO.	DESCRIPTION	QTY	REMARKS
1	56111-45F51	HANDLEBAR	1	
2	56200-28840	BALANCER SET	2	
3	09127-06018	·SCREW	2	
4	56272-45F00	·EXPANDER	2	
5	56276-17D00	·SPACER	2	
6	09160-06126	·WASHER	2	
7	56272-44500	·EXPANDER, INNER	2	
8	09159-06024	·NUT	2	
9	56500-45F10	MIRROR ASSY, REAR VIEW RH	1	
10	56600-45F10	MIRROR ASSY, REAR VIEW LH	1	
11	58200-45F41	CABLE ASSY, CLUTCH	1	
12	09200-06004	PIN	1	
13	04111-2015A	COTTER PIN	1	
14	58626-37400	CLAMP, NO.1	1	
15	02112-1610B	SCREW	1	
16	36651-45F00	CLAMP, NO.2	1	
17	02112-0516B	SCREW	1	
18	08310-0005B	NUT	1	
19	58300-45F40	CABLE ASSY, THROTTLE	1	
20	58410-45F00	CABLE, STARTER	1	

REFER TO FIG.42 (F-14) FOR EN125HU/HUZ

FIG.42

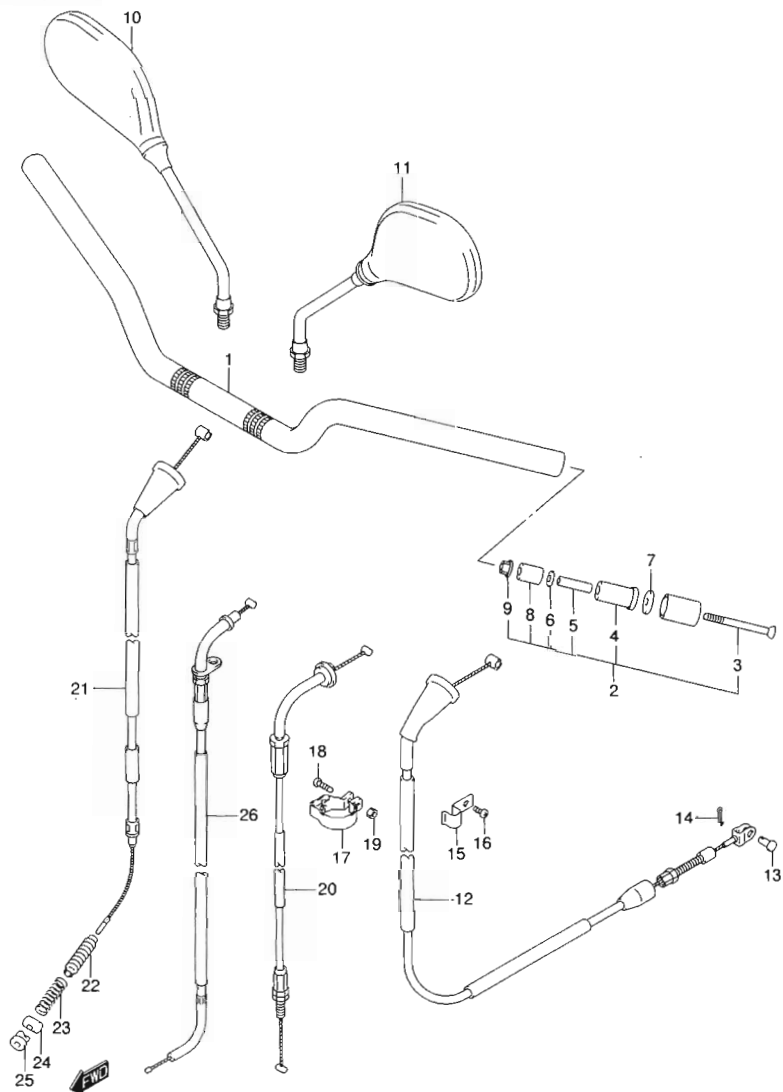


FIG.42 (F-14) HANDLEBAR (EN125HU/HUZ)

REF NO.	PART NO.	DESCRIPTION	QTY	REMARKS
1	56111-45F80	HANDLEBAR	1	
2	56200-45850	BALANCER SET	2	
3	09127-06023	·SCREW	2	
4	56272-45F00	·EXPANDER	2	
5	56276-17D00	·SPACER	2	
6	09160-06126	·WASHER	2	
7	09160-06154	·WASHER	4	
8	56272-44500	·EXPANDER, INNER	2	
9	09159-06024	·NUT	2	
10	56500-45F10	MIRROR ASSY, REAR VIEW RH	1	
11	56600-45F10	MIRROR ASSY, REAR VIEW LH	1	
12	58200-45F60	CABLE ASSY, CLUTCH	1	
13	09200-06004	PIN	1	
14	04111-2015A	COTTER PIN	1	
15	58626-37400	CLAMP, NO.1	1	
16	02112-1610B	SCREW	1	
17	36651-45F00	CLAMP, NO.2	1	
18	02112-0516B	SCREW	1	
19	08310-0005B	NUT	1	
20	58300-45F60	CABLE ASSY, THROTTLE	1	
21	58110-45F01	CABLE, FRONT BRAKE	1	
22	09287-07001	SEAL, DUST	1	
23	09440-06003	SPRING	1	
24	09209-10001	PIN	1	
25	09150-05101	NUT	1	
26	58410-45F10	CABLE, STARTER	1	

FIG.43

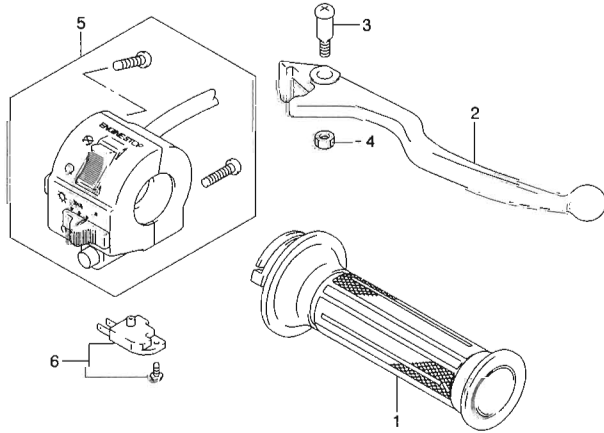
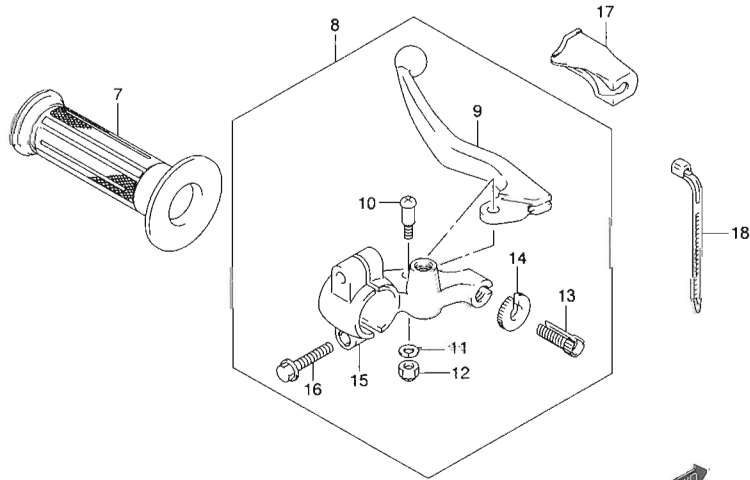


FIG.43 (G-2) HANDLE LEVER (EN125-2A)

REF NO.	PART NO.	DESCRIPTION	QTY	REMARKS
1	57110-28G10	GRIP, THROTTLE	1	
2	57300-45F10	LEVER, BRAKE	1	
3	09139-06114	·SCREW	1	
4	57433-09F00	·NUT	1	
5	37200-45F10	SWITCH ASSY, HANDLE RH	1	
6	57460-17C01	SWITCH ASSY, STOP	1	
7	57211-45FB0-291	GRIP, LH (BLACK)	1	
8	57500-45FA0	LEVER ASSY, CLUTCH	1	
9	57621-45FA0	·LEVER, CLUTCH	1	
10	57431-45F00	·BOLT	1	
11	08321-0106B	·LOCK WASHER	1	
12	08310-0006B	·NUT	1	
13	57441-45F00	·ADJUSTER	1	
14	57442-45F00	·NUT	1	
15	57512-45F00	·BRACKET, HOLDER	1	
16	01547-0620B	·BOLT	1	
17	57661-31000	COVER, CLUTCH LEVER	1	
18	09407-12402	CLAMP (L:120)	2	

REFER TO FIG.36A (G-3) FOR EN125HU/HUZ

4

FIG.44

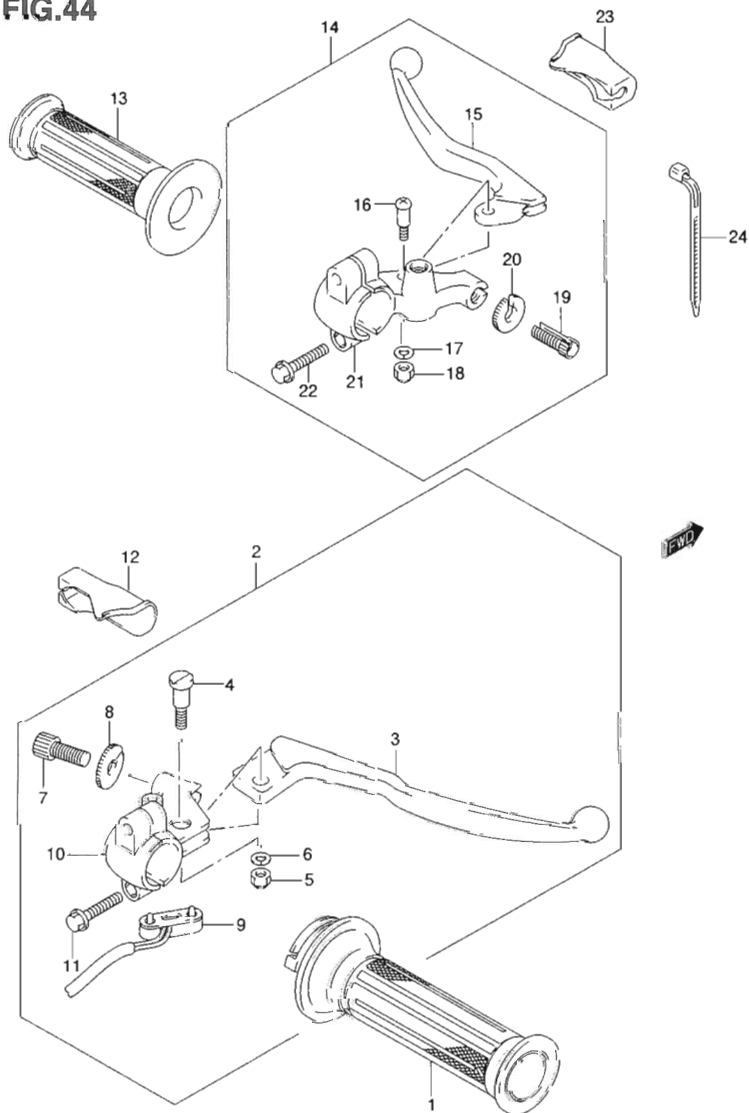


FIG.44 (G-3) HANDLE LEVER (EN125HU/HUZ)

REF NO.	PART NO.	DESCRIPTION	QTY	REMARKS
1	57110-28G10	GRIP, THROTTLE	1	
2	57300-45F00	LEVER ASSY, BRAKE	1	
3	57421-45F00	·LEVER, BRAKE	1	
4	57431-45F00	·BOLT, LEVER	1	
5	08310-0006B	·NUT	1	
6	08321-0106B	·WASHER	1	
7	57441-45F00	·ADJUSTER, WIRE	1	
8	57442-45F00	·NUT, LOCK	1	
9	57460-45F00	·SWITCH, STOP	1	
10	57512-45F00	·BRACKET, HOLDER	1	
11	01547-0620B	·BOLT, BRACKET	1	
12	57341-45F00	COVER, BRAKE LEVER	1	
13	57211-45FB0-291	GRIP, LH (BLACK)	1	
14	57500-45FA0	LEVER ASSY, CLUTCH	1	
15	57621-45FA0	·LEVER, CLUTCH	1	
16	57431-45F00	·BOLT	1	
17	08321-0106B	·LOCK WASHER	1	
18	08310-0006B	·NUT	1	
19	57441-45F00	·ADJUSTER	1	
20	57442-45F00	·NUT	1	
21	57512-45F00	·BRACKET, HOLDER	1	
22	01547-0620B	·BOLT	2	
23	57661-31000	COVER, CLUTCH LEVER	1	
24	09407-12402	CLAMP (L:120)	2	

FIG.45

FIG.45 (G-4) REAR FENDER

REF NO.	PART NO.	DESCRIPTION	QTY	REMARKS
1	63111-45F00	FENDER, REAR	1	
2	63120-45F10	BRACKET, REAR LAMP	1	
3	09118-06067	BOLT, REAR FENDER	4	
4	61315-45F00	WASHER	3	
5	08316-1006B	NUT	3	

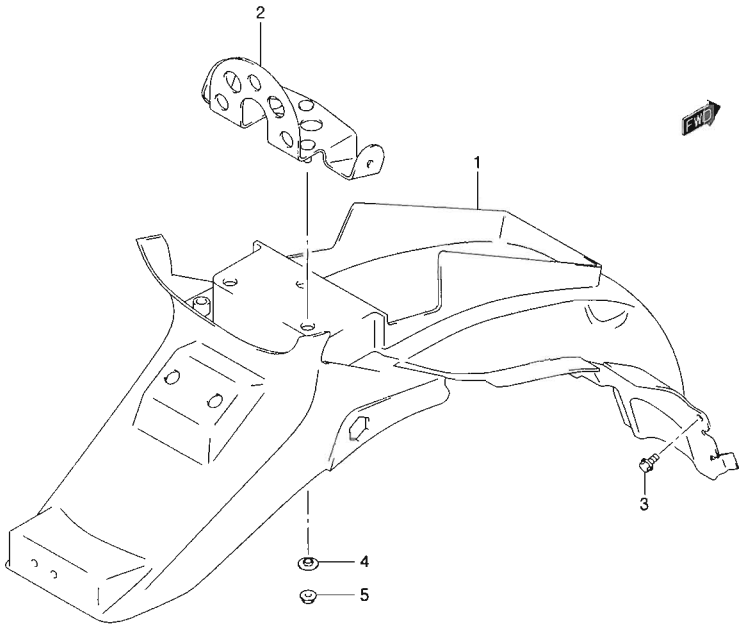


FIG.46

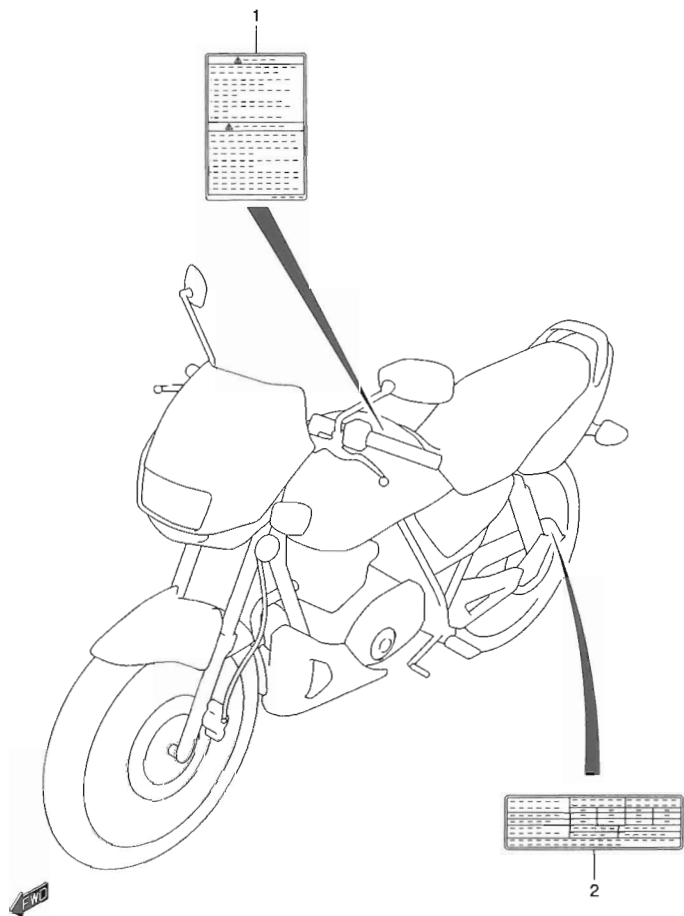


FIG.46 (G-5) LABEL.

REF NO.	PART NO.	DESCRIPTION	QTY	REMARKS
1	68319-29FE0	LABEL, GENERAL WARNING	1	
2-1	68332-45F00	LABEL, TIRE INFORMATION	1	EN125-2A
2-2	68332-45F50	LABEL, TIRE INFORMATION	1	EN125HU/HUZ
3-1	99011-05381-029	MANUAL, OWNER'S	1	EN125-2A
3-2	99011-05373-029	MANUAL, OWNER'S	1	EN125HU/HUZ DRAWING NOT SHOWN

FIG.47

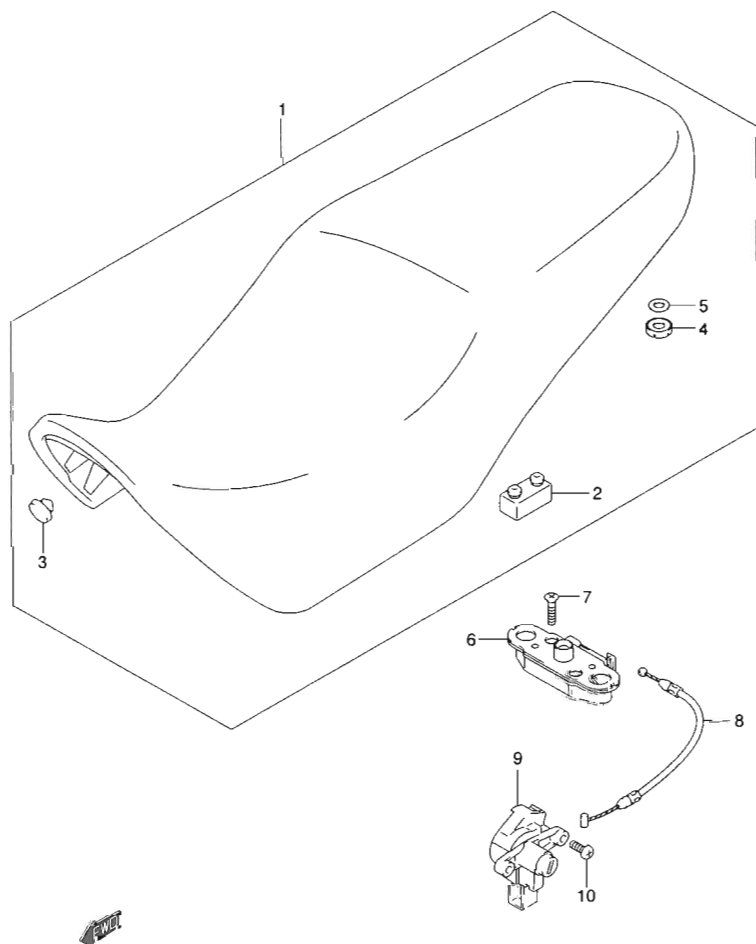


FIG.47 (H-2) SEAT

REF NO.	PART NO.	DESCRIPTION	QTY	REMARKS
1	45100-45F01	SEAT ASSY	1	
2	45149-45F00	·CUSHION	4	
3	09329-10001	·CUSHION	1	
4	45213-13601	·CUSHION	2	
5	08322-0110A	·WASHER	2	
6	45220-45F01	BRACKET, SEAT SUPPORT	1	
7	02122-0630B	SCREW	2	
8	45280-45F00	CABLE SEAT LOCK	1	
9	95700-28D00	LOCK ASSY, SEAT	1	
10	09139-06164	SCREW (6X14)	2	

FIG.48

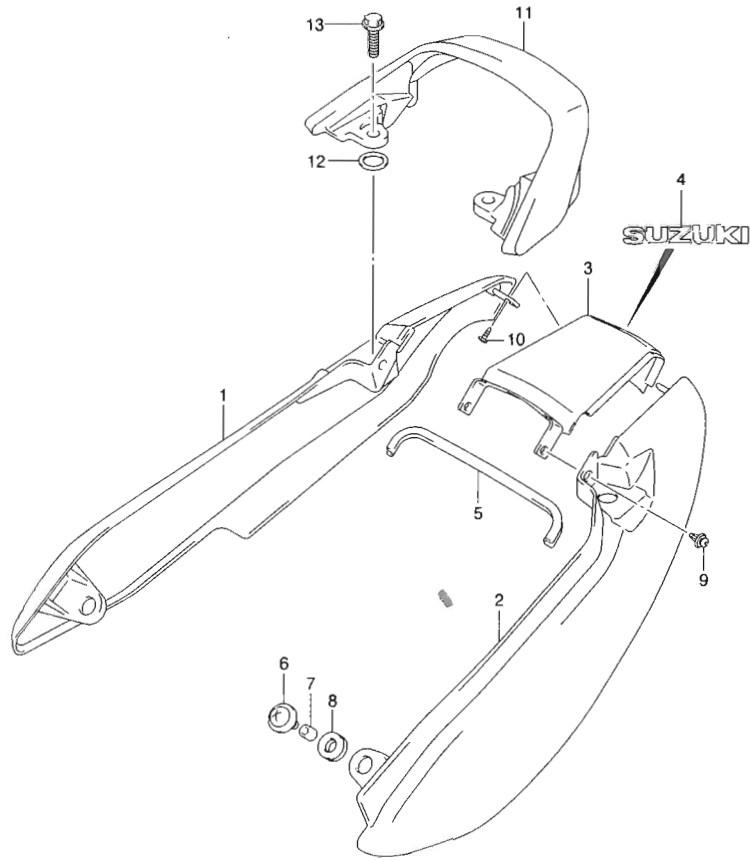


FIG.48 (H-3) SEAT TAIL COVER (EN125-2AK9)

REF NO.	PART NO.	DESCRIPTION	QTY	REMARKS
1-1	45511-45F00-YFZ	COVER, SEAT TAIL RH (RED)	1	
1-2	45511-45F00-YGB	COVER, SEAT TAIL RH (BLUE)	1	
1-3	45511-45F00-YHP	COVER, SEAT TAIL RH (BLACK)	1	
2-1	45512-45F00-YFZ	COVER, SEAT TAIL LH (RED)	1	
2-2	45512-45F00-YGB	COVER, SEAT TAIL LH (BLUE)	1	
2-3	45512-45F00-YHP	COVER, SEAT TAIL LH (BLACK)	1	
3-1	45513-45F10-YFZ	COVER, SEAT TAIL CENTER (RED)	1	
3-2	45513-45F10-YGB	COVER, SEAT TAIL CENTER (BLUE)	1	
3-3	45513-45F10-YHP	COVER, SEAT TAIL CENTER (BLACK)	1	
4	68166-45F10-YGB	EMBLEM, SEAT TAIL COVER (BLUE)	1	
5	45515-45F00	CUSHION, SEAT TAIL COVER	1	
6	45521-45F00	SCREW, SEAT TAIL COVER FRONT	2	
7	09180-06263	SPACER, SEAT TAIL COVER FRONT	2	
8	09320-08047	CUSHION, SEAT TAIL COVER FRONT	2	
9	09409-06322-5PK	CLIP, SEAT TAIL COVER REAR (BLACK)	2	
10	03541-0412B	SCREW, SEAT TAIL COVER REAR	2	
11	46211-45F10-YGC	HANDLE, PILLION RIDER (SILVER)	1	
12	46212-45F00	CUSHION, PILLION HANDLE	2	
13	01580-0835B	BOLT	2	

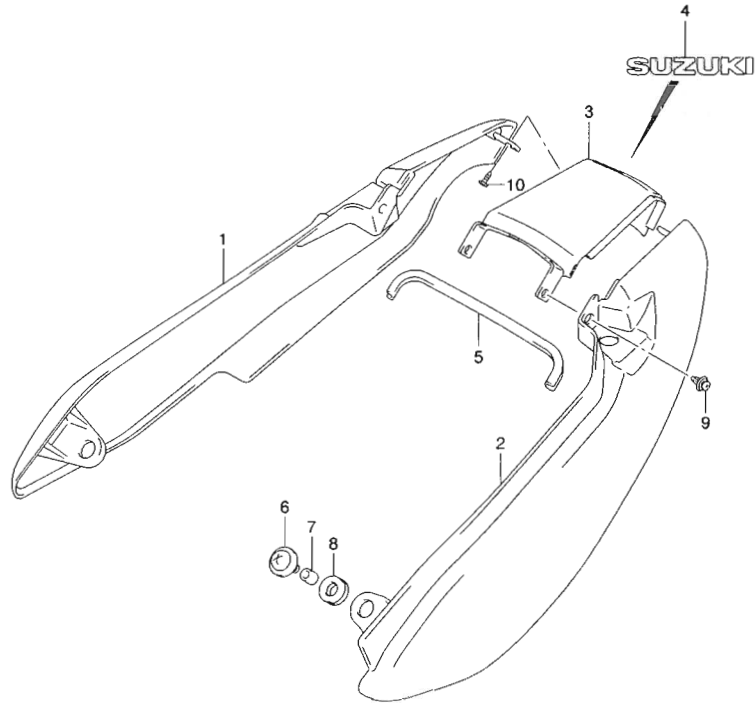
REFER TO FIG.49 (H-4) FOR EN125HUK9
 REFER TO FIG.50 (H-5) FOR EN125HUK9

FIG.49

FIG.49 (H-4) SEAT TAIL COVER (EN125HUK9)

REF NO.	PART NO.	DESCRIPTION	QTY	REMARKS
1-1	45511-45F00-YFZ	COVER, SEAT TAIL RH (RED)	1	
1-2	45511-45F00-YGB	COVER, SEAT TAIL RH (BLUE)	1	
1-3	45511-45F00-YHP	COVER, SEAT TAIL RH (BLACK)	1	
2-1	45512-45F00-YFZ	COVER, SEAT TAIL LH (RED)	1	
2-2	45512-45F00-YGB	COVER, SEAT TAIL LH (BLUE)	1	
2-3	45512-45F00-YHP	COVER, SEAT TAIL LH (BLACK)	1	
3-1	45513-45F00-YFZ	COVER, SEAT TAIL CENTER (RED)	1	
3-2	45513-45F00-YGB	COVER, SEAT TAIL CENTER (BLUE)	1	
3-3	45513-45F00-YHP	COVER, SEAT TAIL CENTER (BLACK)	1	
4	68166-45F10-YGB	EMBLEM, SEAT TAIL COVER (BLUE)	1	
5	45515-45F00	CUSHION, SEAT TAIL COVER	1	
6	45521-45F00	SCREW, SEAT TAIL COVER FRONT	2	
7	09180-06263	SPACER, SEAT TAIL COVER FRONT	2	
8	09320-08047	CUSHION, SEAT TAIL COVER FRONT	2	
9	09409-06322-5PK	CLIP, SEAT TAIL COVER REAR (BLACK)	2	
10	03541-0412B	SCREW, SEAT TAIL COVER REAR	2	

REFER TO FIG.50 (H-5) FOR EN125HUZK9



4

FIG.50

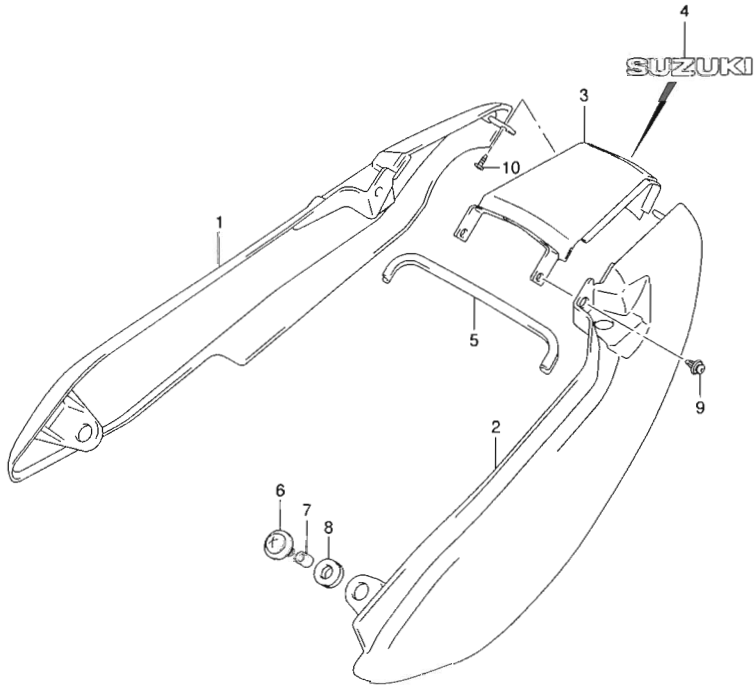


FIG.50 (H-5) SEAT TAIL COVER (EN125HUK9)

REF NO.	PART NO.	DESCRIPTION	QTY	REMARKS
1	45511-45F00-YNZ	COVER, SEAT TAIL RH (WHITE)	1	
2	45512-45F00-YNZ	COVER, SEAT TAIL LH (WHITE)	1	
3	45513-45F00-YNZ	COVER, SEAT TAIL CENTER (WHITE)	1	
4	68166-45F10-YNZ	EMBLEM, SEAT TAIL COVER (WHITE)	1	
5	45515-45F00	CUSHION, SEAT TAIL COVER	1	
6	45521-45F00	SCREW, SEAT TAIL COVER FRONT	2	
7	09180-06263	SPACER, SEAT TAIL COVER FRONT	2	
8	09320-08047	CUSHION, SEAT TAIL COVER FRONT	2	
9	09409-06322-5PK	CLIP, SEAT TAIL COVER REAR (BLACK)	2	
10	03541-0412B	SCREW, SEAT TAIL COVER REAR	2	

FIG.51

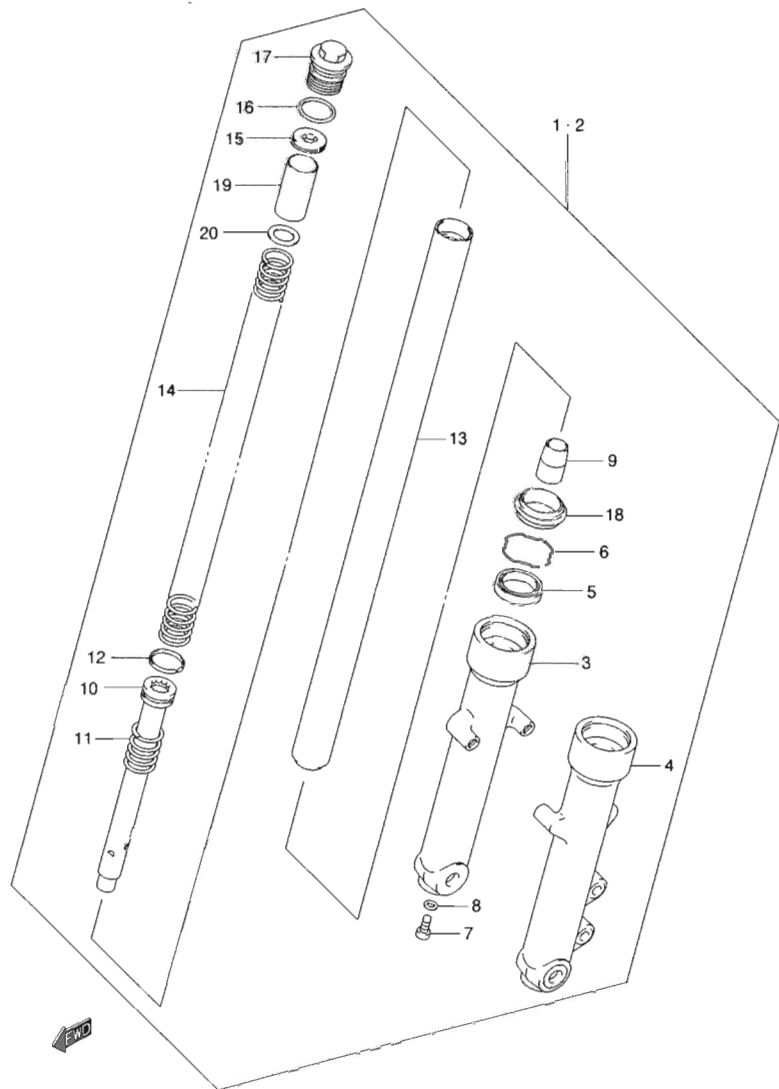


FIG.51 (H-6) FRONT DAMPER (EN125-2AK9)

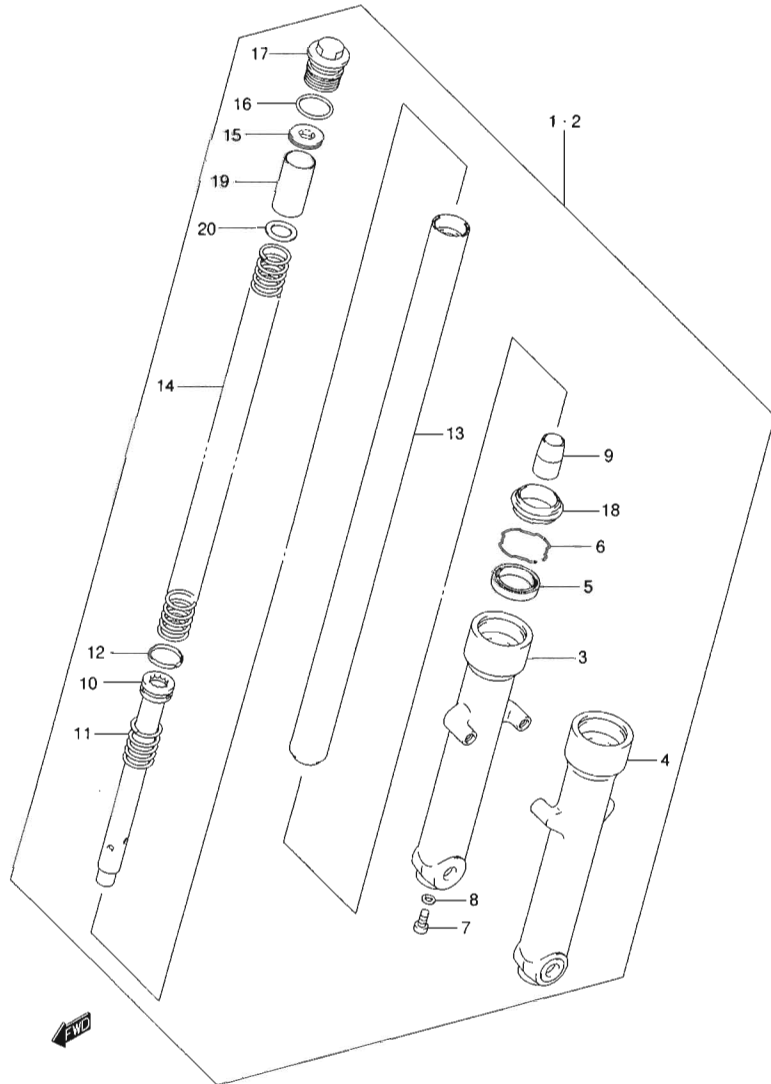
REF NO.	PART NO.	DESCRIPTION	QTY	REMARKS
1	51103-45F40	DAMPER ASSY. FRONT FORK RH	1	
2	51104-45F40	DAMPER ASSY. FRONT FORK LH	1	
3	51130-45F40	·TUBE, OUTER RH	1	
4	51140-45F40	·TUBE, OUTER LH	1	
5	51153-45F40	·OIL SEAL	2	
6	51156-45F40	·RING, OIL SEAL STOPPER	2	
7	51147-45F40	·BOLT	2	
8	51148-45F40	·GASKET	2	
9	51195-45F40	·PIECE, OIL LOCK	2	
10	51146-45F40	·CYLINDER	2	
11	51177-45F40	·SPRING, REBOUND	2	
12	51182-45F40	·RING	2	
13	51110-45F40	·TUBE, INNER	2	
14	51171-45F40	·SPRING, MAIN	2	
15	51178-45F40	·PLUG	2	
16	51117-45F40	·O RING	2	
17	51189-45F40	·CAP	2	
18	51173-45F40	·SEAL, DUST	2	
19	51176-45F40	·SPACER	2	
20	51192-45F40	·WASHER	2	

REFER TO FIG.52 (H-7) FOR EN125HUK9/HUZK9

4

FIG.52

FIG.52 (H-7) FRONT DAMPER (EN125HUK9/HUJK9)



REF NO.	PART NO.	DESCRIPTION	QTY	REMARKS
1	51103-45F40	DAMPER ASSY. FRONT FORK RH	1	
2	51104-45F50	DAMPER ASSY. FRONT FORK LH	1	
3	51130-45F40	·TUBE, OUTER RH	1	
4	51140-45F50	·TUBE, OUTER LH	1	
5	51153-45F40	·OIL SEAL	2	
6	51156-45F40	·RING, OIL SEAL STOPPER	2	
7	51147-45F40	·BOLT	2	
8	51148-45F40	·GASKET	2	
9	51195-45F40	·PIECE, OIL LOCK	2	
10	51146-45F40	·CYLINDER	2	
11	51177-45F40	·SPRING, REBOUND	2	
12	51182-45F40	·RING	2	
13	51110-45F40	·TUBE, INNER	2	
14	51171-45F40	·SPRING, MAIN	2	
15	51178-45F40	·PLUG	2	
16	51117-45F40	·O RING	2	
17	51189-45F40	·CAP	2	
18	51173-45F40	·SEAL, DUST	2	
19	51176-45F40	·SPACER	2	
20	51192-45F40	·WASHER	2	

FIG.53

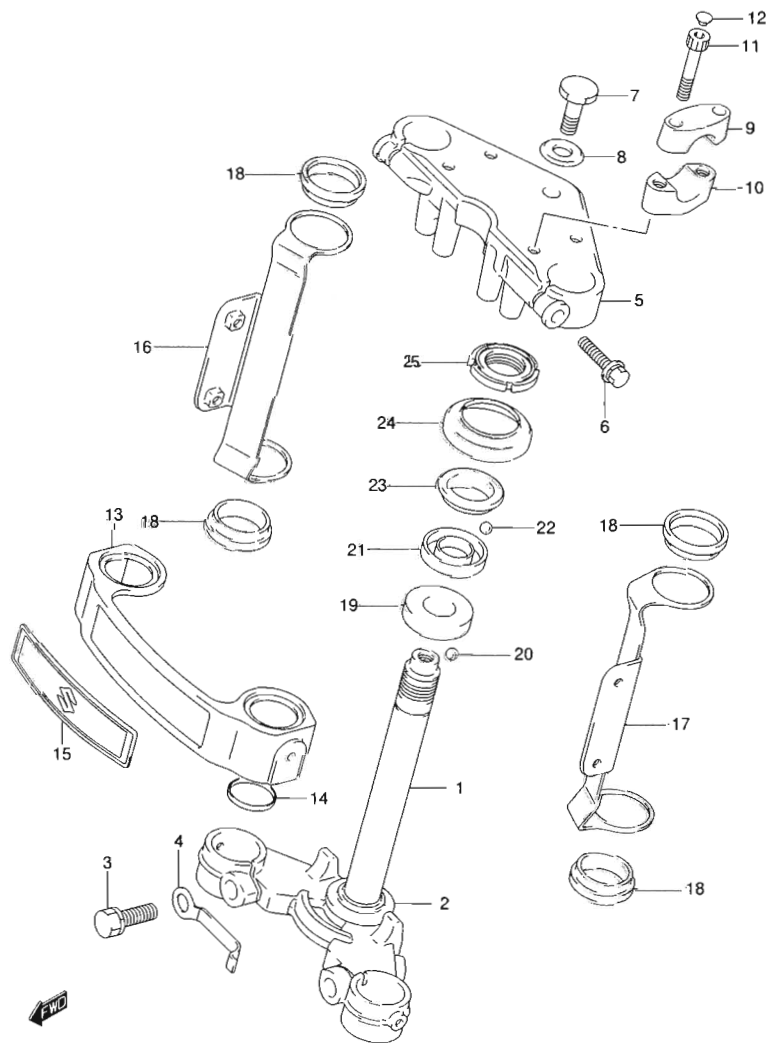


FIG.53 (H-8) STEERING STEM (EN125-2AK9)

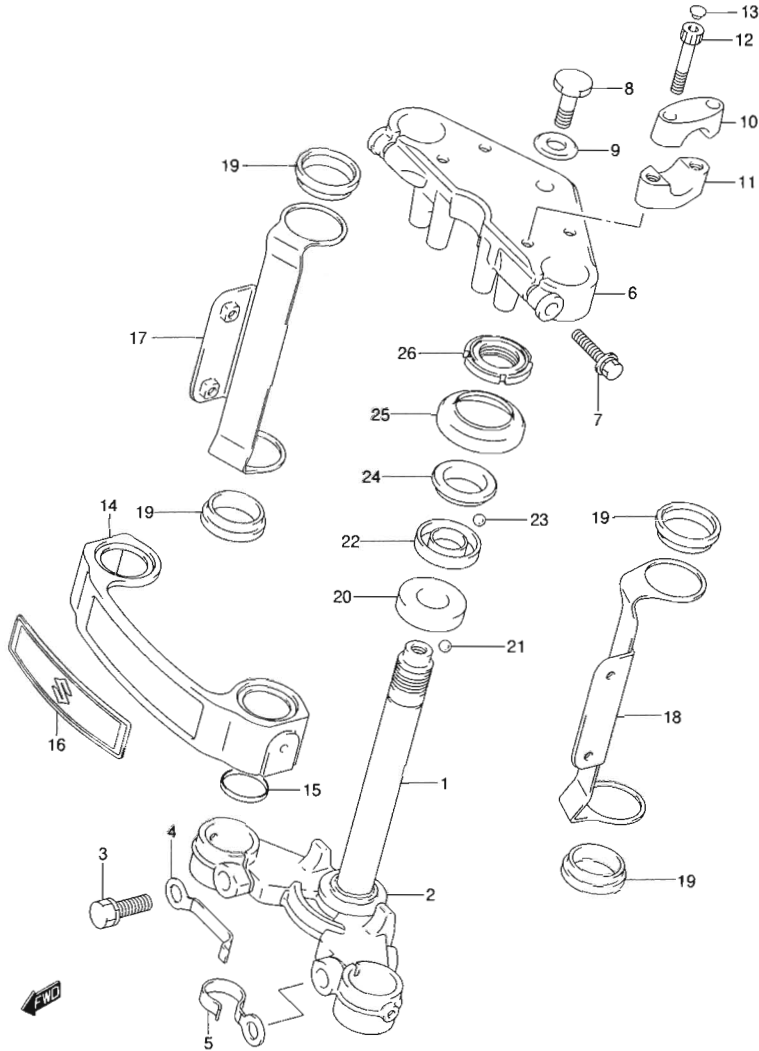
REF NO.	PART NO.	DESCRIPTION	QTY	REMARKS
1	51410-45F00	STEM, STEERING	1	
2	51621-33001	RACE, OUTER LOWER	1	
3	01570-1235B	BOLT, STEM	2	
4	51455-45F10	CLAMP	1	
5	51311-45F10	HEAD, STEERING STEM	1	
6	01580-0840B	BOLT, HEAD	2	
7	51351-05300	BOLT, STEM HEAD	1	
8	51356-05300	WASHER, STEM HEAD	1	
9	56211-45F10	HOLDER, HANDLE UPPER	2	
10	56221-45F10	HOLDER, HANDLE LOWER	2	
11	07130-0845B	BOLT	4	
12	09250-06011	CAP	4	
13	51871-05301	COVER, FRONT FORK	1	
14	51872-45F10	SPACER, COVER	2	
15	68211-38300	EMBLEM, FRONT FORK COVER	1	
16	51530-45F10	BRACKET, HEADLAMP RH	1	
17	51540-45F10	BRACKET, HEADLAMP LH	1	
18	51553-29311	DAMPER, HEADLAMP BRACKET	4	
19	51611-33002	RACE, INNER LOWER	1	
20	06111-08003	STEEL BALL, LOWER	18	
21	51611-20002	RACE, INNER UPPER	1	
22	06111-06003	STEEL BALL, UPPER	22	
23	51621-28000	RACE, OUTER UPPER	1	
24	51643-25001	DUST SEAL	1	
25	51631-28000	NUT, STEERING STEM	1	

REFER TO FIG.54 (H-9) FOR EN125HUK9/HUZK9

4

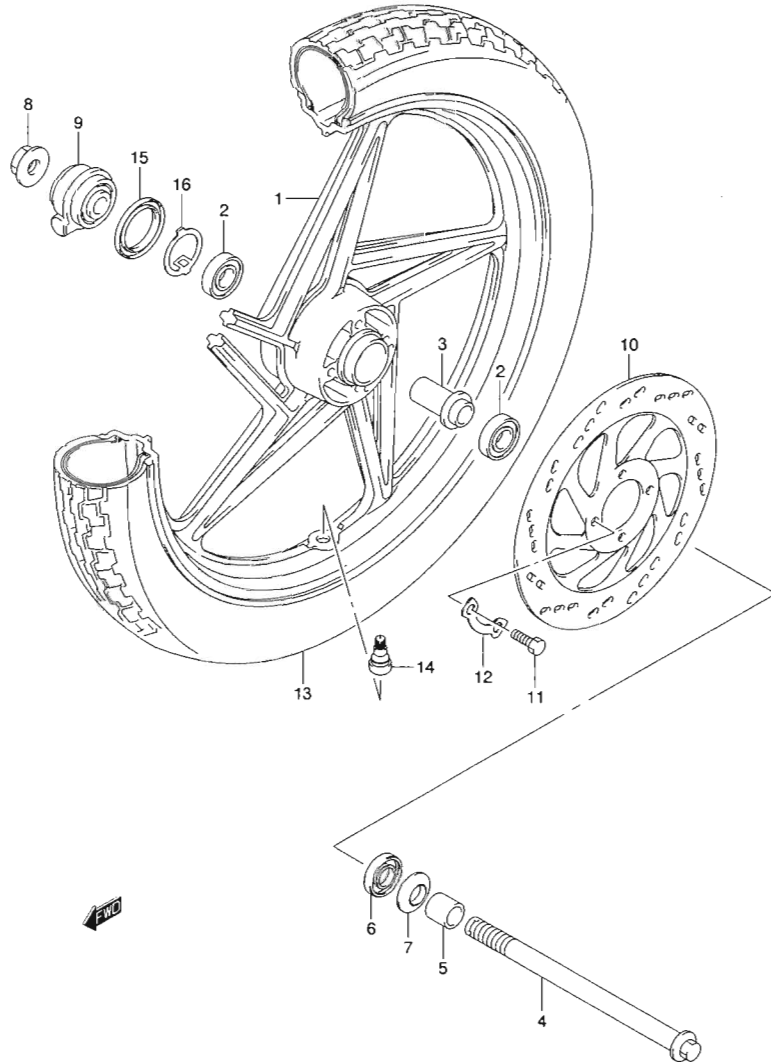
FIG.54

FIG.54 (H-9) STEERING STEM (EN125HUK9/HUZK9)



REF NO.	PART NO.	DESCRIPTION	QTY	REMARKS
1	51410-45F00	STEM, STEERING	1	
2	51621-33001	RACE, OUTER LOWER	1	
3	01570-1235A	BOLT, STEM	2	
4	51455-45F10	CLAMP	1	
5	51455-45FA0	GUIDE, FR BRAKE CABLE	1	
6	51311-45F10	HEAD, STEERING STEM	1	
7	01580-0840A	BOLT, HEAD	2	
8	51351-05300	BOLT, STEM HEAD	1	
9	51356-05300	WASHER, STEM HEAD	1	
10	56211-45F10	HOLDER, HANDLE UPPER	2	
11	56221-45F10	HOLDER, HANDLE LOWER	2	
12	07130-0845B	BOLT	4	
13	09250-06011	CAP	4	
14	51871-05310	COVER, FRONT FORK	1	
15	51872-45F10	SPACER, COVER	2	
16	68211-38300	EMBLEM, FRONT FORK COVER	1	
17	51530-45F10	BRACKET, HEADLAMP RH	1	
18	51540-45F10	BRACKET, HEADLAMP LH	1	
19	51553-29311	DAMPER, HEADLAMP BRACKET	4	
20	51611-33002	RACE, INNER LOWER	1	
21	06111-08003	STEEL BALL, LOWER	18	
22	51611-20002	RACE, INNER UPPER	1	
23	06111-06003	STEEL BALL, UPPER	22	
24	51621-28000	RACE, OUTER UPPER	1	
25	51643-25001	DUST SEAL	1	
26	51631-28000	NUT, STEERING STEM	1	

FIG.55



4

FIG.55 (I-2) FRONT WHEEL (EN125-2AK9)

REF NO.	PART NO.	DESCRIPTION	QTY	REMARKS
1	54111-45F10-YGD	WHEEL, FRONT (18X1.60)	1	
2	08133-63017	BEARING	2	
3	54731-45F00	SPACER	1	
4	54711-05300	AXLE, FRONT	1	
5	54741-45F00	SPACER, LH	1	
6	54742-45F00	SEAL, FRONT HUB	1	
7	54892-45F00	COVER, FRONT HUB DUST SEAL	1	
8	08319-3112A	NUT	1	
9	54600-36411	BOX ASSY, SPEEDOMETER GEAR	1	
10	59211-05500	DISC, FRONT BRAKE	1	
11	09100-08140	BOLT (8X28)	4	
12	09169-08019	WASHER	2	
13	55100-45F40	TIRE, FRONT (2.75-18 4PR)	1	
14	43130-45F00	VALVE ASSY, WHEEL RIM	1	
15	54651-45F00	SEAL, OIL	1	
16	54661-18410	DRIVER, GEAR	1	

REFER TO FIG.56 (I-3) FOR EN125HUK9/HUZK9

FIG.56

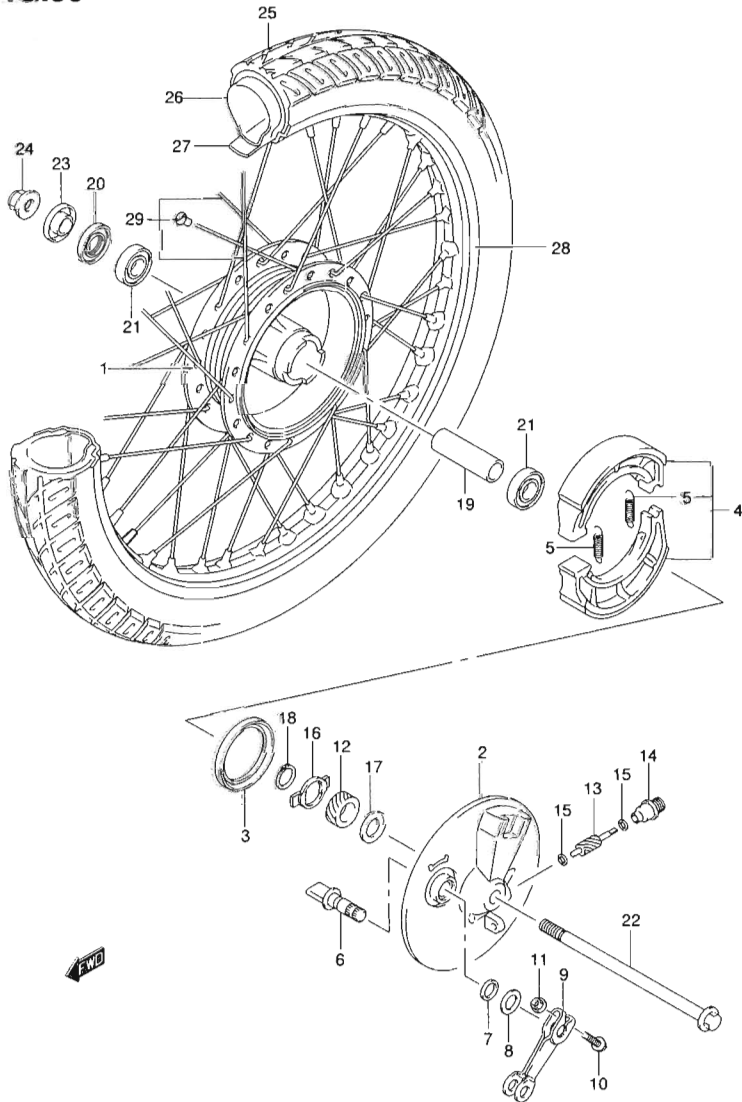


FIG.56 (1-3) FRONT WHEEL (EN125HUK9/HUZK9)

REF. NO.	PART NO.	DESCRIPTION	QTY	REMARKS
1	54110-07003	HUB, FRONT WHEEL	1	
2	54210-05310	PANEL, FRONT BRAKE ANCHOR	1	
3	09285-48001	OIL SEAL (48X62X7)	1	
4	54400-45811	SHOE SET, BRAKE	1	
5	55421-45F00	SPRING	2	
6	54441-45FA0	CAM, BRAKE	1	
7	09280-14011	DUST SEAL (ID:13.8, D:2.5)	1	
8	09160-14055	THRUST WASHER (14.5X22X1.6)	1	
9	54451-46110	LEVER, BRAKE	1	
10	01550-0635B	BOLT (6X35)	1	
11	08316-1006B	NUT	1	
12	54611-07002	GEAR, SPEEDOMETER (NT:24)	1	
13	54621-39202	PINION, SPEEDOMETER (NT:9)	1	
14	54632-02201	BUSH, PINION OUTER	1	
15	09160-05001-A05	THRUST WASHER (5.5X18X1.6)	2	
16	54661-07000	DRIVER, METER GEAR	1	
17	09160-18002	THRUST WASHER (18.5X24X1)	1	
18	08331-3118A	CIRCLIP	1	
19	09180-12032	SPACER, BEARING (12.6X19X47)	1	
20	09284-18001	OIL SEAL (17X38X5)	1	
21	08133-63017	BEARING	2	
22	54711-05300	AXLE, FRONT	1	
23	54740-41301	SPACER, RH	1	
24	08319-3112A	NUT	1	
25	55100-45F10	TIRE, FRONT (2.75-18)	1	
26	55200-26F00	TUBE ASSY, INNER	1	
27	55261-45F00	PROTECTOR, INNER TUBE	1	
28	55311-05300	RIM, WHEEL (1.60X18)	1	
29	55320-45F00	SPOKE ASSY, FRONT	1	

FIG.57

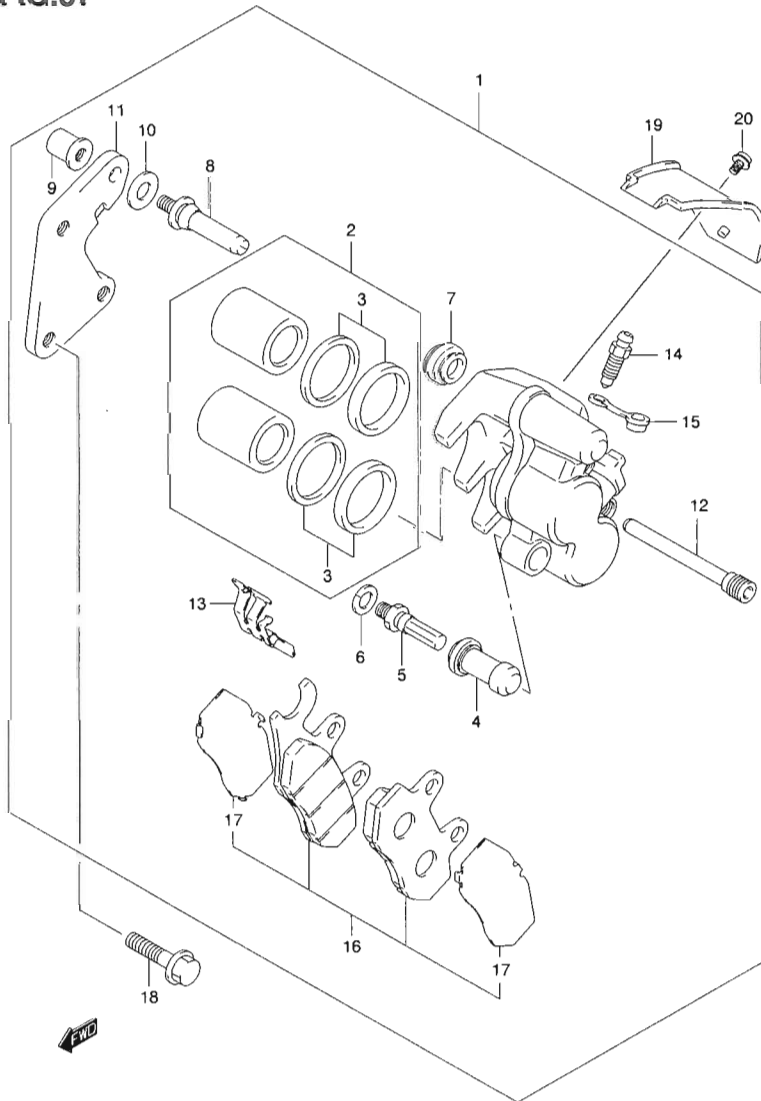


FIG.57 (I-4) FRONT CALIPER (EN125-2AK9)

REF NO.	PART NO.	DESCRIPTION	QTY	REMARKS
1	59300-05500	CALIPER ASSY, FRONT LH	1	
2	59300-05860	PISTON SET	1	
3	59100-05810	SEAL SET, PISTON	1	
4	59313-05700	CAP, BUSH DUST	1	
5	59306-05700	PIN, GUIDE NO.2	1	
6	59308-05700	WASHER, GUIDE PIN	1	
7	59312-05700	BOOT, GUIDE NO.1	1	
8	59305-05700	PIN, GUIDE NO.1	1	
9	59355-05700	NUT	1	
10	59307-05700	WASHER, GUIDE PIN NO.1	1	
11	59351-05700	CARRIER, CALIPER L	1	
12	69141-05700	PIN, PAD	2	
13	59315-05700	SPRING, PAD	1	
14	59121-18410	BLEEDER	1	
15	55156-66310	CAP, BLEEDER	1	
16	59300-05840	PAD & SHIM SET	1	
17	59371-05700	SHIM, PAD	2	
18	01550-0830B	BOLT	2	
19	59313-13001	PROTECTOR, CALIPER	1	
20	02112-7512B	SCREW	1	

FIG.58

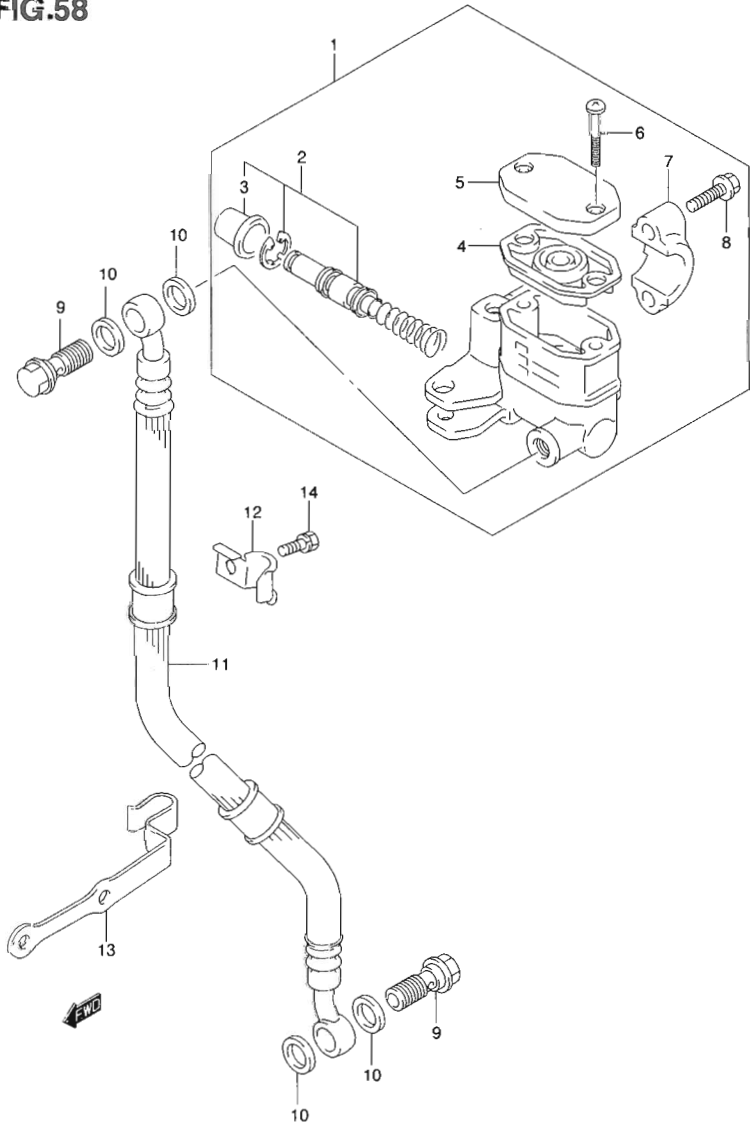


FIG.58 (I-5) FRONT MASTER CYLINDER (EN125-2AK9)

REF NO.	PART NO.	DESCRIPTION	QTY	REMARKS
1	59600-053B1	CYLINDER ASSY, FRONT MASTER	1	
2	59600-45880	PISTON/CUP SET	1	
3	59666-44300	BOOT	1	
4	59667-053B0	DIAPHRAGM	1	
5	59669-053B0	CAP, RESERVOIR	1	
6	02112-0435B	SCREW, RESERVOIR	2	
7	59671-053A1	HOLDER	1	
8	01547-0625B	BOLT	2	
9	09360-10061	UNION	2	
10	09161-10009	WASHER	4	
11	59480-45F31	HOSE, BRAKE	1	
12	59246-45F01	CLAMP, BRAKE HOSE	1	
13	59268-45F00	CLAMP, BRAKE HOSE NO.2	1	
14	01570-0612B	BOLT	1	

FIG.59

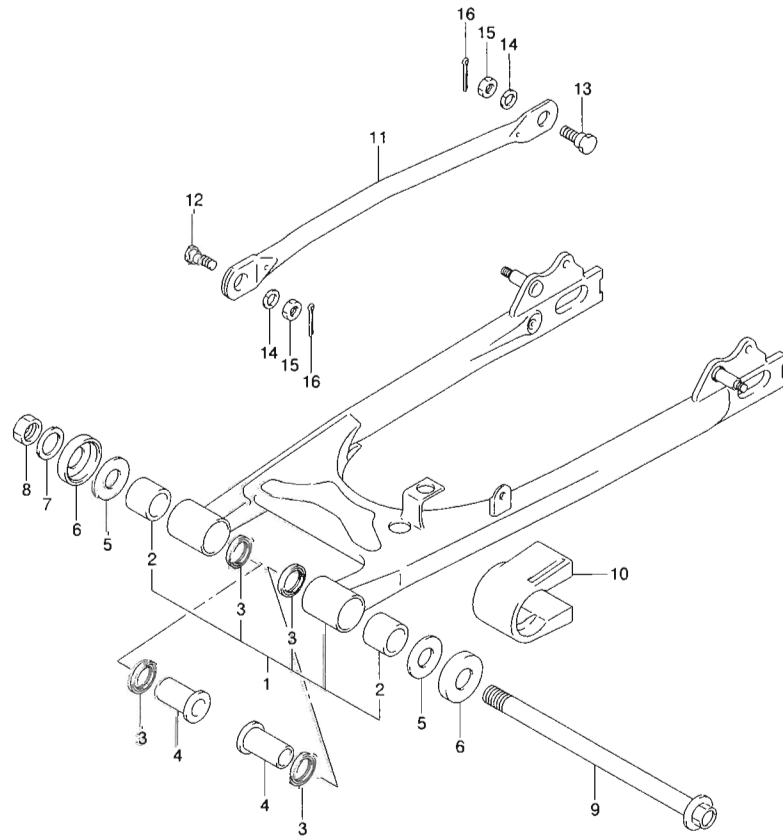


FIG.59 (I-6) REAR SWINGING ARM

REF NO.	PART NO.	DESCRIPTION	QTY	REMARKS
1	61000-45F22-YGA	SWINGING ARM ASSY, REAR	1	
2	61261-05341	BUSH	2	
3	09283-20031	OIL SEAL (20X27X5)	4	
4	61251-05300	SPACER, ARM PIVOT	2	
5	08211-14321	WASHER	2	
6	61262-05300	COVER, ARM PIVOT	2	
7	08322-0114B	WASHER	1	
8	08319-2114A	NUT	1	
9	61211-45F10	SHAFT, PIVOT	1	
10	61273-05300	BUFFER, CHAIN TOUCH DEFENSE	1	
11	64310-26H00	TORQUE LINK, REAR	1	
12	09111-08012	BOLT, FRONT (8X22.5)	1	
13	09111-08013	BOLT, REAR (8X26.5)	1	
14	09162-08008	LOCK WASHER	2	
15	09140-08008	NUT	2	
16	04111-2020A	COTTER PIN	2	

4

FIG.60

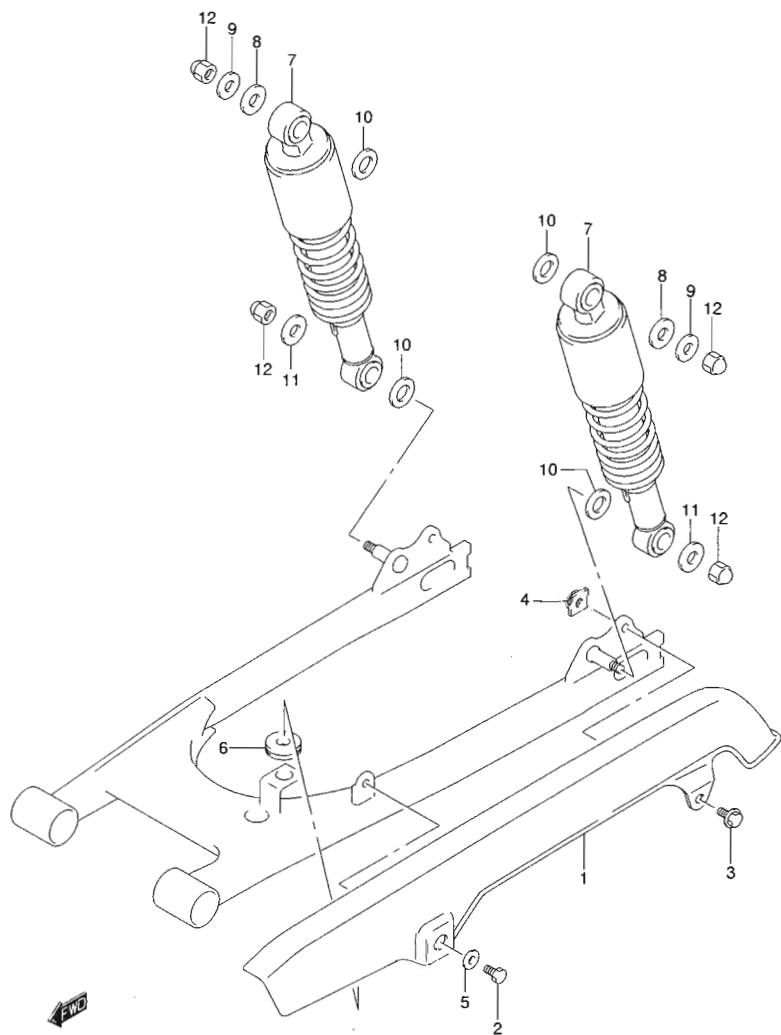
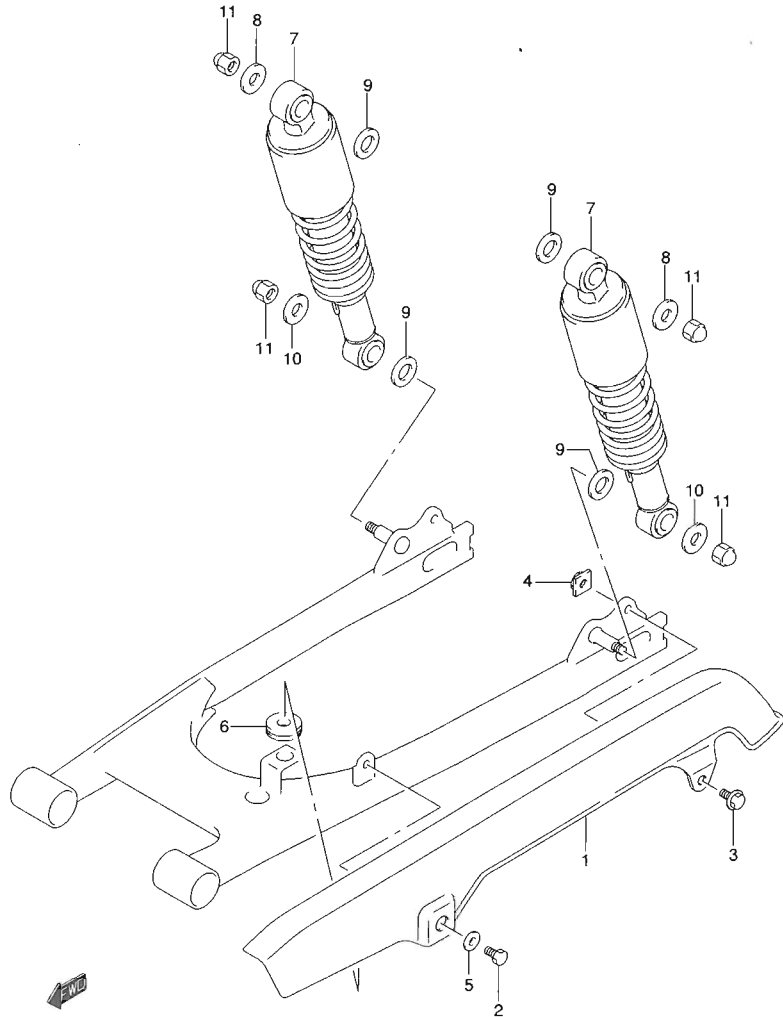


FIG.60 (I-7) CHAIN CASE (EN125-2AK9)

REF NO.	PART NO.	DESCRIPTION	QTY	REMARKS
1	61311-13002	CASE, CHAIN	1	
2	01500-0610B	BOLT, FRONT	1	
3	01570-0612B	BOLT, REAR	1	
4	61316-45FA0	NUT, REAR	1	
5	61315-45F00	WASHER	1	
6	09320-08018	CUSHION, INNER	1	
7	62100-45F50	ABSORBER ASSY, REAR SHOCK	2	
8	09160-10093	WASHER, UPPER	2	
9	09160-10033	WASHER, UPPER NO.2	2	
10	62145-45F00	WASHER, INNER	4	
11	09160-10093	WASHER, LOWER	2	
12	08313-10107	NUT	4	

REFER TO FIG.61 (I-8) FOR EN125HUK9/HUZK9

FIG.61



4

FIG.61 (I-8) CHAIN CASE (EN125HUK9/HUZK9)

REF NO.	PART NO.	DESCRIPTION	QTY	REMARKS
1	61311-13002	CASE, CHAIN	1	
2	01500-0610B	BOLT, FRONT	1	
3	01570-0612B	BOLT, REAR	1	
4	61316-45FA0	NUT, REAR	1	
5	61315-45F00	WASHER	1	
6	09320-08018	CUSHION, INNER	1	
7	62100-45F70	ABSORBER ASSY, REAR SHOCK	2	
8	09160-10033	WASHER, UPPER	2	
9	62145-45F00	WASHER, INNER	4	
10	09160-10093	WASHER, LOWER	2	
11	08313-10107	NUT	4	

FIG.62

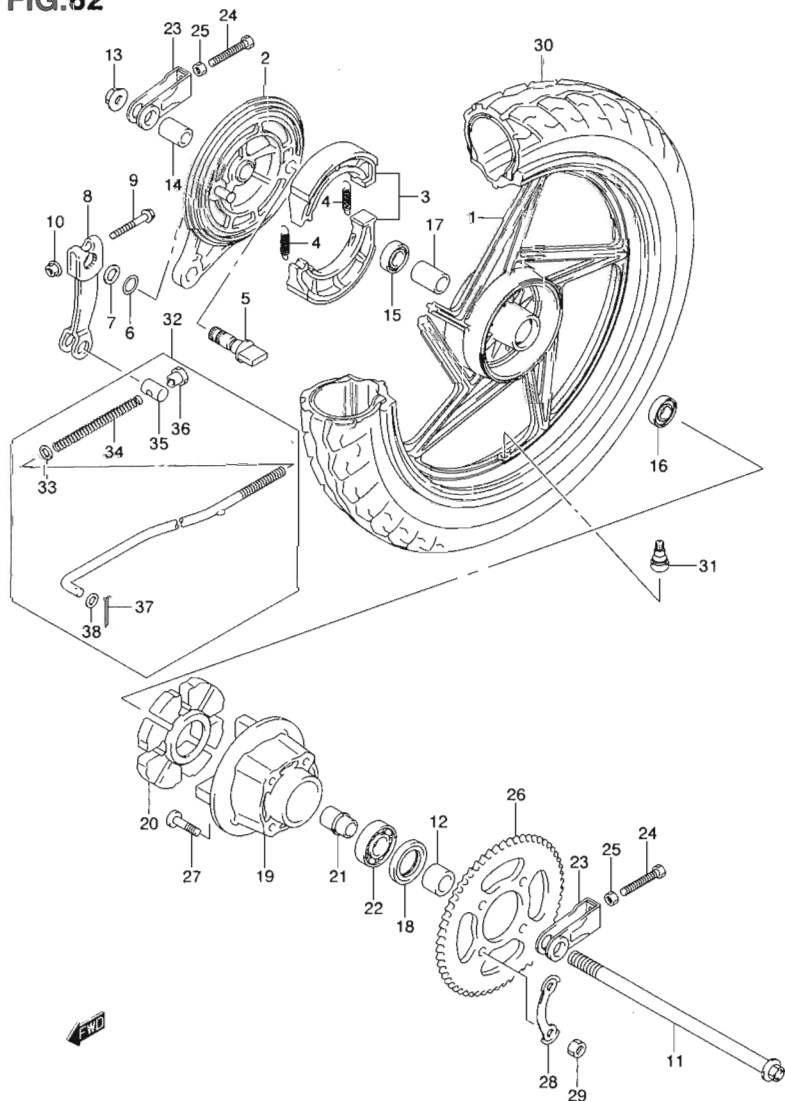


FIG.62 (J-2) REAR WHEEL (EN125-2AK9)

REF NO.	PART NO.	DESCRIPTION	QTY	REMARKS
1	64150-45F10-YGD	WHEEL, REAR (MT1.85X18)	1	
2	64210-39104	PANEL, REAR BRAKE ANCHOR	1	
3	54400-45811	SHOE SET, BRAKE	1	
4	55421-45F00	SPRING	2	
5	54441-45FA0	CAM, BRAKE	1	
6	09280-14011	O RING (ID:13.8,D:2.50)	1	
7	09160-14055	WASHER	1	
8	64451-45FA0	LEVER, BRAKE CAM	1	
9	01550-0635B	BOLT	1	
10	08316-1006A	NUT	1	
11	64711-05330	AXLE, REAR	1	
12	09180-15042	SPACER, LH (15X28X19)	1	
13	08319-3114A	NUT	1	
14	09180-15002	SPACER, RH (15X22X33)	1	
15	08144-63027	BEARING, RH	1	
16	08143-62027	BEARING, LH	1	
17	09180-15011	SPACER, HUB (15.3X21.7X63)	1	
18	09285-28001	OIL SEAL (28X47X7)	1	
19	64610-05301	DRUM, SPROCKET MOUNTING	1	
20	64651-45F00	SHOCK ABSORBER, WHEEL	1	
21	64733-05301	RETAINER, DRUM	1	
22	09262-20069	BEARING (20X47X14)	1	

REFER TO FIG.63 (J-4) FOR EN125HUK9/HUZK9

FIG.62

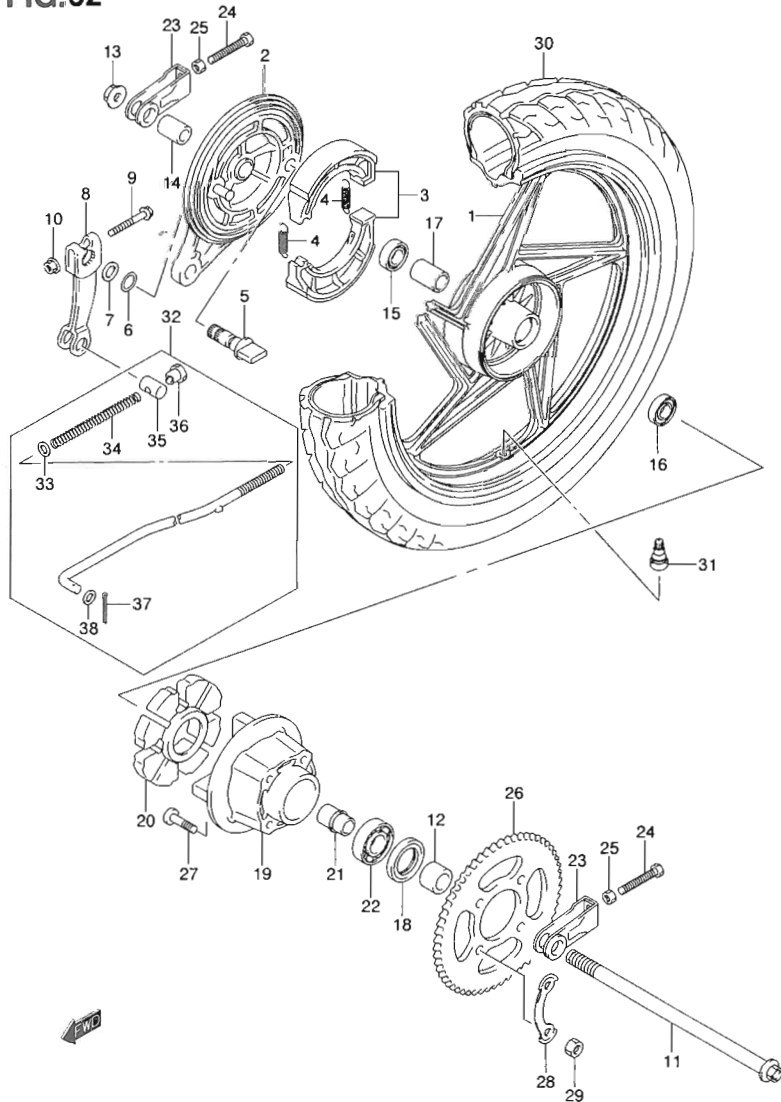


FIG.62 (J-3) REAR WHEEL (EN125-2AK9)

REF NO.	PART NO.	DESCRIPTION	QTY	REMARKS
23	61410-36002	ADJUSTER, CHAIN	2	
24	09104-08034	BOLT (8X50)	2	
25	08310-0008A	NUT	2	
26	64511-45F00	SPROCKET, REAR (NT:45)	1	
27	09119-08043	BOLT (8X33)	4	
28	09169-08012	WASHER	2	
29	08310-0008B	NUT	4	
30	65100-45F51	TIRE, REAR, 90/90-18 4P.R.	1	
31	43130-45F00	VALVE ASSY, WHEEL RIM	1	
32	43300-26H00	ROD ASSY, REAR BRAKE	1	
33	08322-0106B	·WASHER	1	
34	09440-09004	·SPRING	1	
35	09209-11002	·PIN	1	
36	09150-06010	·NUT	1	
37	04111-2015A	·COTTER PIN	1	
38	08322-0106B	·WASHER	1	

REFER TO FIG.63 (J-4) FOR EN125HUK9/HUZK9

4

FIG.63

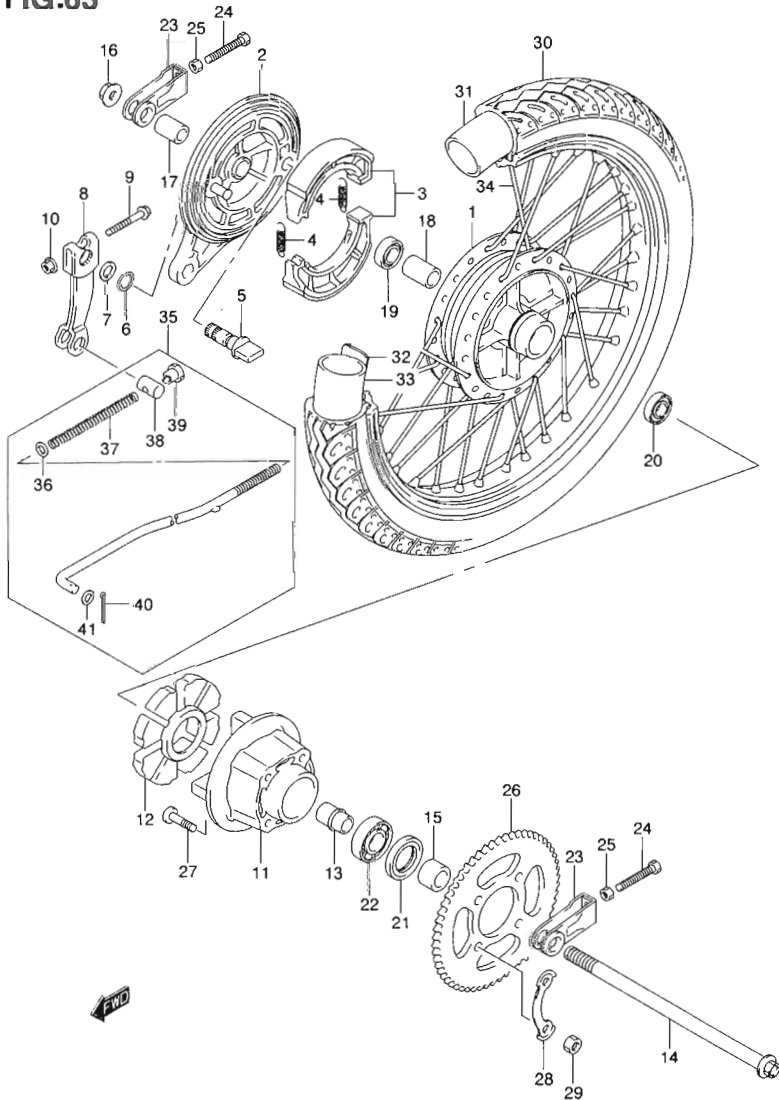


FIG.63 (J-4) REAR WHEEL (EN125HUK9/HUZK9)

REF NO.	PART NO.	DESCRIPTION	QTY	REMARKS
1	64110-12FH1	HUB, REAR WHEEL	1	
2	64210-39115	PANEL, REAR BRAKE ANCHOR	1	
3	54400-45811	SHOE SET, BRAKE	1	
4	55421-45F00	SPRING	2	
5	54441-45FA0	CAM, BRAKE	1	
6	09280-14011	O RING (ID:13.8, D:2.50)	1	
7	09160-14055	WASHER (14.5X22X1.6)	1	
8	64451-45FA0	LEVER, BRAKE CAM	1	
9	01550-0635B	BOLT	1	
10	08316-1006A	NUT	1	
11	64610-05301	DRUM, SPROCKET MOUNTING	1	
12	64651-07001	SHOCK ABSORBER, HUB	1	
13	64733-05301	RETAINER, MOUNTING	1	
14	64711-05330	AXLE, REAR	1	
15	09180-15042	SPACER, LH (15X28X19)	1	
16	08319-3114A	NUT	1	
17	09180-15002	SPACER, RH (15X22X33)	1	
18	09180-15011	SPACER, HUB (15.3X21.7X63)	1	
19	08144-63027	BEARING, RH	1	
20	08143-62027	BEARING, LH	1	
21	09285-28001	OIL SEAL (28X47X7)	1	
22	09262-20069	BEARING (20X47X14)	1	

FIG.63

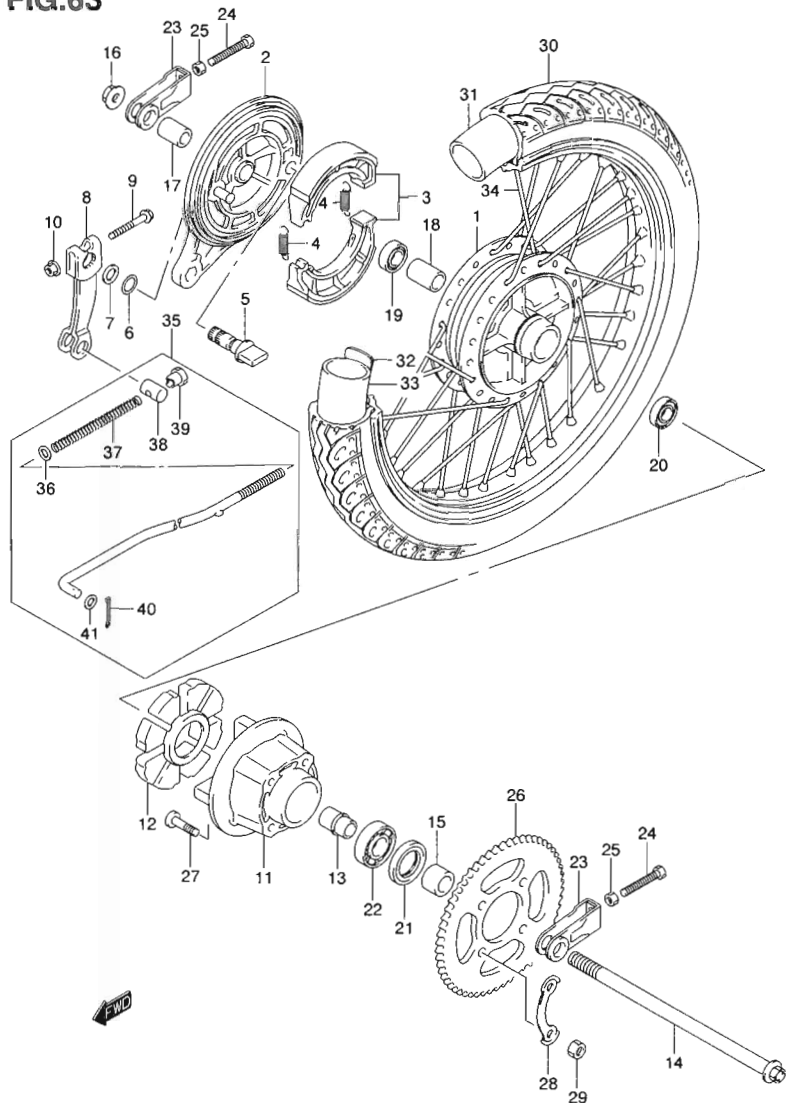


FIG.63 (J-5) REAR WHEEL (EN125HUK9/HUZK9)

REF. NO.	PART NO.	DESCRIPTION	QTY	REMARKS
23	61410-36002	ADJUSTER, CHAIN	2	
24	09104-08034	BOLT (8X50)	2	
25	08310-0008A	NUT	2	
26	64511-45F00	SPROCKET, REAR (NT.45)	1	
27	09119-08043	BOLT (8X33)	4	
28	09169-08012	WASHER	2	
29	08310-0008B	NUT	4	
30	65100-45F30	TIRE, REAR (3.00-18 4PR)	1	
31	65200-45F00	TUBE ASSY, INNER	1	
32	55261-45F00	PROTECTOR, INNER TUBE	1	
33	55311-05300	RIM, WHEEL (1.60-18)	1	
34	65320-45F01	SPOKE SET, WHEEL RIM	1	
35	43300-26H00	ROD ASSY, REAR BRAKE	1	
36	08322-0106B	·WASHER	1	
37	09440-09004	·SPRING	1	
38	09209-11002	·PIN	1	
39	09150-06010	·NUT	1	
40	04111-2015A	·COTTER PIN	1	
41	08322-0106B	·WASHER	1	

PARTS NUMBER INDEX

5

PART NO.	FIG.NO.-REF.NO.	PART NO.	FIG.NO.-REF.NO.	PART NO.	FIG.NO.-REF.NO.
10000		12261-12F50	5-6	13261-054N0	11-6
		12600-12861	6-4	13266-054N0	11-7
		12611-05300	6-1	13267-054N0	11-8
		12633-05310	6-7	13267-20E20	10-35
		12649-05300	6-9	13268-054A0	10-37
11100-12F50	1-1	12711-12F50	7-1	13268-47070	10-30
11100-12F70	1-1	12741-05210	7-2		11-9
11115-12F70	1-4	12741-12F70	7-2	13279-054N0	11-10
11141-05202	1-8	12760-05220	9-1	13279-12F20	10-29
11141-12F50	1-8	12760-12F60	8-1	13282-05G00	10-15
11151-45000	1-11	12771-05200	9-2	13291-29900	10-31
	1-11	12771-12F60	8-2		11-11
11171-12F50	1-31	12811-05220	9-3	13295-28010	11-12
11172-12F50	1-32	12811-12F60	8-3	13295-29900	10-32
11175-18910	1-17	12812-32400	8-4		11-13
11177-12F50	1-33		9-4	13295-33010	11-14
11179-12F50	1-35	12830-12F50	8-6	13370-054L0	10-41
11179-12F60	1-36	12830-32452	9-6	13379-08G00	11-16
11181-12F50	1-37	12832-12F50	8-7	13373-054N0	11-17
11210-05203-0F0	2-1	12832-32401	9-7	13374-054N0	11-18
11210-12F50-0F0	2-1	12833-12F50	8-8	13374-46710	11-19
11241-05311	2-6	12834-12F50	8-9	13382-46E00	10-7
11300-053B0	3-1	12837-32410	8-10	13382-47010	11-20
11300-05380	3-1		9-12	13383-054G0	10-10
11319-05220	3-7	12838-45001	9-8	13383-054M0	11-21
11325-12F50	3-9	12842-32411	7-6	13385-05F00	10-13
11340-05320	4-1	12843-32400	7-7	13385-054N0	11-22
11340-12F50	4-1	12850-25C00	7-5	13386-09410	10-36
11351-05303	4-15	12861-05201	7-8	13388-20E20	10-6
11351-12F51	4-15	12911-12F60	7-14	13394-17E60	10-8
11358-12F50	4-27	12912-12F60	7-15	13394-40D20	11-23
11361-05301	4-29	12920-12F50	7-16	13411-05450	11-24
11361-12F70	4-29	12931-09420	7-17	13411-12F00	10-22
11383-12F70	4-3	12932-27A10	7-18	13417-01010	10-23
11384-12F70	4-26	12933-39E00	7-19	13417-05450	11-26
11482-05211	4-6	13101-053A0	1-25	13417-47E00	10-3
11482-05311	4-6	13101-053B0	1-25	13418-053S0	10-24
11483-05312	4-16	13170-12F50	1-28	13418-05450	11-25
11971-45010	4-2	13200-45FA0	11-1	13427-05450	11-27
12100-12F50-050	5-20	13200-45F00	10-1	13494-09410	11-29
12111-12F50-0F0	5-16	13240-12FG0	10-16	13500-48F00	10-27
12140-16E00	5-17	13246-43010	10-12	13502-12F00	10-2
12151-12F00	5-18		11-2	13504-16E00	10-28
12161-12F60-0B0	5-3	13247-13A00	10-40	13507-054G0	10-26
12161-12F80-0B0	5-3		11-3	13551-054N0	11-30
12200-12FC1	5-1	13247-33E00	10-21	13558-054N0	11-31
12200-12FD1	5-1	13251-47E00	10-19	13573-29B00	11-32
12211-05241	5-4	13252-22A00	11-4	13574-05F00	10-9
12221-05220	5-5	13254-01010	11-5	13575-054N0	11-33
12261-05320	5-6	13254-20010	10-17	13579-054N0	11-34

PART NO.	FIG.NO.-REF.NO.	PART NO.	FIG.NO.-REF.NO.	PART NO.	FIG.NO.-REF.NO.
13581-05F00	10-4	23122-05200	15-14	27511-41320	16-32
13581-36212	11-35	23271-46010	15-22	27531-05220	16-33
13601-05148	10-20	24121-05260	16-1	27600-29B40-118	16-37
13603-05F00	10-5	24125-38201	16-2		
13606-47A00	11-36	24130-05220	16-11		
13661-03010	11-37	24130-05370	16-11	30000	
13681-04010	10-25	24221-05310	16-3		
	11-28	24231-05220	16-4		
13681-054N0	11-38	24251-45F00	16-5		
13683-05450	11-39	24310-05230	16-12		
13683-28B10	10-38	24320-05240	16-14	31100-05510	20-1
13684-053F0	10-39	24331-05203	16-16	31100-05530	19-1
13700-053B0	12-1	24341-45F00	16-18	31130-05530	19-4
13700-45F00	12-1	24351-45F00	16-19	31132-05530	19-3
13780-38301	12-2	24359-05200	16-20	31133-05530	19-5
13780-45F00	12-2	24421-05320	16-21	31134-05530	19-6
13826-38300	12-5	24741-05200	16-9	31135-05530	19-7
13826-45F00	12-5		16-24	31150-05530	19-13
13853-05300	12-6	24751-05220	16-27	31150-08F00	20-2
13870-45F00	12-8	25221-08300	17-1	31153-05530	19-14
13881-053B0	12-4	25231-05201	17-2	31153-49210	20-3
13881-05390	12-4	25310-05340	17-5	31156-05530	19-9
14181-14D00	13-7	25322-31320	17-7	31156-08F00	20-4
14305-45F11	13-1	25323-34201	17-8	31175-05530	19-2
14790-45F10	13-2	25324-34201	17-9	31175-26F00	20-5
16321-05220	5-11	25331-30001	17-12	31264-05530	19-10
16331-12F10	14-2	25341-05200	17-14	31264-32C10	20-6
16400-05201	14-1	25350-44A00	17-16	31281-05530	19-8
16510-05240	14-13	25351-30020	17-22	31281-08F00	20-7
16512-05212	14-15	25381-45400	17-23	31361-055A0	19-11
16512-12F50	14-15	25411-16701	17-3	31361-055B0	19-12
16520-05202	14-6	25421-35403	17-4	31361-32C10	20-8
16523-05200	14-8	25510-05220	17-27	31361-38300	20-9
16584-12F70	14-21	25520-47030	17-32	31800-49110	23-1
		25525-12C10	17-35	31861-06C00	23-6
		25600-45F00	17-37	31861-10D00	28-3
		25652-16500	17-38	31861-31500	23-5
		25671-01020	17-30	32101-12F40	21-1
		26211-05210	18-1	32102-12F40	21-2
		26221-05200	18-2	32800-37G10	23-7
21111-05200-0C0	5-12	26231-38202	18-7	32900-053A0	23-9
21200-05853	15-1	26232-38200	18-8	33410-053B0	23-11
21201-05810	15-1	26233-32400	18-9	33510-04H00	23-13
21411-05210	15-3	26240-05202	18-11	33541-38210	23-14
21441-13A20	15-7	26260-05210	16-29	33542-38B00	23-15
21451-19A00	15-8	26300-05310	18-15	33610-45F10	22-1
21462-14103	15-9	26352-01000	18-16	33624-43500	28-4
23110-05220	15-12	26431-05220	1-20	33651-45F10	22-5
23117-05200	15-19	26441-49000	1-21	33652-05310	22-3
23121-38210	15-13	26451-45000	1-22	33662-30000	22-2

PART NO.	FIG.NO.-REF.NO.	PART NO.	FIG.NO.-REF.NO.	PART NO.	FIG.NO.-REF.NO.
33680-16A10	22-4	38500-055D2	28-17	44200-45FB0	36-6
33810-05310	23-4	38610-31320	26-16	44300-45F10	37-1
33860-05550	22-6			44330-45F10	37-8
34100-45F60	24-1			44348-87420	37-2
34110-34G30	24-11			44421-45F10	37-5
34111-34G30	24-15			44421-45F30	37-6
34124-34G10	24-9	40000		44422-45F10	37-9
34150-34G30	24-14			44541-38200	36-8
34152-34G10	24-10			44542-45F00	36-9
34173-45F60	24-2			44544-45F00	36-11
34191-34G10	24-8	41100-45FD0	30-1	44548-45F00	36-13
34210-34G30	24-12	41100-45FE0	30-1	45100-45F01	47-1
34810-45F00	37-10	41540-05301	30-8	45149-45F00	47-2
34910-01G11	24-21	41991-05301	30-2	45213-13601	47-4
34910-45F01	24-21	41992-05301	30-5	45220-45F01	47-6
34940-05331	24-23	42100-45F00	31-1	45280-45F00	47-8
34940-05380	24-23	42211-36504	31-2	45511-45F00-YFZ	48-1
34943-05500	24-24	42278-26H00	31-5		49-1
34950-34G10	24-7	42310-45F00	31-6	45511-45F00-YGB	48-1
35100-29B60-999	25-1	43110-45F01	31-10		49-1
35111-29B60	25-2	43130-45F00	55-14	45511-45F00-YHP	48-1
35121-29B60	25-3		62-31		49-1
35171-29B60	25-4	43159-45F00	31-16	45511-45F00-YNZ	50-1
35172-29B60	25-5	43213-45F00	31-14	45512-45F00-YFZ	48-2
35181-45F10	25-8	43231-05302	31-12		49-2
35601-45F00	26-1	43300-26H00	62-32	45512-45F00-YGB	48-2
35602-45F00	26-2		63-35		49-2
35603-28D10	26-8	43501-45F00	32-1	45512-45F00-YHP	48-2
35604-28D10	26-9		33-1		49-2
35652-45F00	26-3	43501-45F20	33-2	45512-45F00-YNZ	50-2
35695-17C00	26-10	43539-45F00	32-3	45513-45F00-YFZ	49-3
35710-45F00	26-13		33-4	45513-45F00-YGB	49-3
35712-45F00	27-1	43550-45F00	32-9	45513-45F00-YHP	49-3
35713-45F00	27-2	43551-36500	32-2	45513-45F00-YNZ	50-3
	27-3		33-3	45513-45F10-YFZ	48-3
35718-45F00	27-4	43600-05301	33-6	45513-45F10-YGB	48-3
35927-05320	27-11	43600-45F00	32-7	45513-45F10-YHP	48-3
35950-04H11	25-9	43610-03001	33-9	45515-45F00	48-5
35970-04H01	27-14	43611-45F00	32-13		49-5
36610-45F60	28-1	43612-33200	33-8		50-5
36619-37300	28-11	43613-45F00	32-14	45521-45F00	48-6
36651-055J0	28-5	43614-45F00	32-15		49-6
36651-45F00	41-16	43621-45F00	32-10		50-6
	42-17	43700-05301	33-7	46141-45F10	35-2
37100-45F00	28-13	43700-45F00	32-8	46142-45F10	35-3
37200-45F10	43-5	43811-45F00	32-5	46149-45F00	34-4
37200-45F60	29-1	43821-45F01	32-6	46211-45F10-YGC	48-11
37400-45F60	29-2	44100-45FU0-YFZ	36-1	46212-45F00	35-5
37720-45F10	17-41	44100-45FU0-YGB	36-1		48-12
37740-12F00	28-15	44100-45FU0-YHP	36-1	46310-45F01	34-1

PART NO.	FIG.NO.-REF.NO.	PART NO.	FIG.NO.-REF.NO.	PART NO.	FIG.NO.-REF.NO.
46310-45F10	35-1	51178-45F40	51-15	53111-45F02-YHP	40-1
47111-45F00-YFZ	38-1		52-15	53111-45F12-YFZ	40-1
47111-45F00-YGB	38-1	51182-45F40	51-12	53111-45F12-YGB	40-1
47111-45F00-YHP	38-1		52-12	53111-45F12-YGE	40-1
47111-45F00-YNZ	38-1	51189-45F40	51-17	53111-45F12-YNZ	40-1
47211-45F00-YFZ	38-2		52-17	53112-45F01	40-2
47211-45F00-YGB	38-2	51192-45F40	51-20	53145-45F10	40-5
47211-45F00-YHP	38-2		52-20	53149-45F00	40-6
47211-45F00-YNZ	38-2	51195-45F40	51-9	54110-07003	56-1
47431-05300	30-13		52-9	54111-45F10-YGD	55-1
47432-05300	30-14	51311-45F10	53-5	54210-05310	56-2
47440-05301	30-15		54-6	54400-45811	56-4
49100-45F00-YNZ	36-4	51351-05300	53-7		62-3
			54-8		63-3
		51356-05300	53-8	54441-45FA0	56-6
			54-9		62-5
		51410-45F00	53-1		63-5
			54-1	54451-46110	56-9
		51455-45FA0	54-5	54600-36411	55-9
		51455-45F10	53-4	54611-07002	56-12
51103-45F40	51-1		54-4	54621-39202	56-13
	52-1	51530-45F10	53-16	54632-02201	56-14
51104-45F40	51-2		54-17	54651-45F00	55-15
51104-45F50	52-2	51540-45F10	53-17	54661-07000	56-16
51110-45F40	51-13		54-18	54661-18410	55-16
		51553-29311	53-18	54711-05300	55-4
51117-45F40	52-13		54-19		56-22
	51-16	51611-20002	53-21	54731-45F00	55-3
	52-16		54-22	54740-41301	56-23
51130-45F40	51-3	51611-33002	53-19	54741-45F00	55-5
	52-3				
51140-45F40	51-4		54-20	54742-45F00	55-6
51140-45F50	52-4	51621-28000	53-23	54892-45F00	55-7
51146-45F40	51-10		54-24	55100-45F10	56-25
	52-10	51621-33001	53-2	55100-45F40	55-13
51147-45F40	51-7		54-2	55156-66310	57-15
51148-45F40	52-7	51631-28000	53-25	55200-26F00	56-26
	51-8		54-26	55261-45F00	56-27
	52-8	51643-25001	53-24		63-32
51153-45F40	51-5		54-25	55311-05300	56-28
	52-5	51811-45F20	39-1		63-33
51156-45F40	51-6	51825-45F10	39-4	55320-45F00	56-29
	52-6	51827-45F10	39-3	55421-45F00	56-5
51171-45F40	51-14	51851-45F10	39-5		62-4
	52-14	51859-45F10	39-6		63-4
51173-45F40	51-18	51871-05301	53-13	56111-45F51	41-1
	52-18	51871-05310	54-14	56111-45F80	42-1
51176-45F40	51-19	51872-45F10	53-14	56200-28840	41-2
	52-19		54-15	56200-45850	42-2
51177-45F40	51-11	53111-45F02-YFZ	40-1	56211-45F10	53-9
	52-11	53111-45F02-YGB	40-1		54-10

5

PART NO.	FIG.NO.-REF.NO.	PART NO.	FIG.NO.-REF.NO.	PART NO.	FIG.NO.-REF.NO.
56221-45F10	53-10	58626-37400	41-14	62100-45F50	60-7
	54-11		42-15	62100-45F70	61-7
56272-44500	41-7	59100-05810	57-3	62145-45F00	60-10
	42-8	59121-18410	57-14		61-9
56272-45F00	41-4	59211-05500	55-10	63111-45F00	45-1
	42-4	59246-45F01	58-12	63120-45F10	45-2
56276-17D00	41-5	59268-45F00	58-13	64110-12FH1	63-1
	42-5	59300-05500	57-1	64150-45F10-YGD	62-1
56500-45F10	41-9	59300-05840	57-16	64210-39104	62-2
	42-10	59300-05860	57-2	64210-39115	63-2
	41-10	59305-05700	57-8	64310-26H00	59-11
56600-45F10	42-11	59306-05700	57-5	64451-45FA0	62-8
	43-1	59307-05700	57-10		63-8
57110-28G10	44-1	59308-05700	57-6	64511-45F00	62-26
	43-7	59312-05700	57-7		63-26
	44-13	59313-05700	57-4	64610-05301	62-19
57300-45F00	44-2	59313-13001	57-19		63-11
57300-45F10	43-2	59315-05700	57-13	64651-07001	63-12
57341-45F00	44-12	59351-05700	57-11	64651-45F00	62-20
57421-45F00	44-3	59355-05700	57-9	64711-05330	62-11
	43-10	59371-05700	57-17		63-14
57431-45F00	44-4	59480-45F31	58-11	64733-05301	62-21
	44-16	59600-053B1	58-1		63-13
57433-09F00	43-4	59600-45880	58-2	65100-45F30	63-30
57441-45F00	43-13	59666-44300	58-3	65100-45F51	62-30
	44-7	59667-053B0	58-4	65200-45F00	63-31
57442-45F00	44-19	59669-053B0	58-5	65320-45F01	63-34
	43-14	59671-053A1	58-7	68110-45F50-YFZ	36-2
	44-8			68110-45F50-YGB	36-2
	44-20			68110-45F50-YHP	36-2
57460-17C01	43-6			68111-18G20	36-3
57460-45F00	44-9				36-5
57500-45FA0	43-8	60000		68131-45F10-YFZ	38-3
	44-14			68131-45F10-YGB	38-3
57512-45F00	43-15			68131-45F10-YGE	38-3
	44-10	61000-45F22-YGA	59-1	68131-45F20-YFZ	38-4
	44-21	61211-45F10	59-9	68131-45F20-YGB	38-4
57621-45FA0	43-9	61251-05300	59-4	68131-45F20-YGE	38-4
	44-15	61261-05341	59-2	68131-45F20-YNZ	38-4
57661-31000	43-17	61262-05300	59-6	68166-45F10-YGB	48-4
	44-23	61273-05300	59-10		49-4
58110-45F01	42-21	61311-13002	60-1	68166-45F10-YNZ	50-4
58200-45F41	41-11		61-1	68211-38300	53-15
58200-45F60	42-12	61315-45F00	45-4		54-16
58300-45F40	41-19		60-5	68319-29FE0	46-1
	42-20		61-5	68332-45F00	46-2
58410-45F00	41-20	61316-45FA0	60-4	68332-45F50	46-2
58410-45F10	42-26		61-4	68391-45F30	35-7
58621-45F00	24-22	61410-36002	62-23	69141-05700	57-12
58621-45F10	24-22		63-23		

PART NO.	FIG.NO.-REF.NO.	PART NO.	FIG.NO.-REF.NO.	PART NO.	FIG.NO.-REF.NO.
		01550-0616B	34-3	02122-0612A	17-15
90000			34-5	02122-0616B	1-27
			35-6	02122-0630B	47-7
		01550-0635B	56-10	02142-0412B	21-4
			62-9	02142-0510B	23-12
95700-28D00	47-9		63-9	02142-05127	12-10
96510-45F10	30-12	01550-06357	1-5	02142-0610B	15-24
99011-05373-029	46-3		1-6	02142-0612B	4-4
99011-05381-029	46-3	01550-06407	1-6		14-22
		01550-06607	1-7	02162-06257	7-12
		01550-0812B	24-20	03211-04163	26-5
		01550-0816B	28-18		26-12
00000		01550-0825B	35-4	03211-04203	27-6
		01550-0830B	57-18	03541-0410B	28-12
		01550-0870A	30-6	03541-0412B	48-10
01264-08207	39-2	01550-1030B	32-20		49-10
01421-0616B	1-38		33-15		50-10
01421-0625A	2-4	01550-1050B	32-18	04111-16146	32-12
01500-0610B	3-8		33-13	04111-2015A	33-11
	16-28	01570-0612B	34-2		41-13
	60-2		58-14		42-14
	61-2		60-3		62-37
01500-06167	15-23		61-3		63-40
01500-0620B	8-11	01570-0816B	40-3	04111-2020A	31-15
	9-13	01570-1235A	54-3		59-16
	17-33	01570-1235B	53-3	04111-2525A	31-3
01500-06207	18-10	01580-0616B	12-11	04211-09129	4-17
01500-0820B	18-17	01580-0835B	48-13	04211-11169	1-9
01500-08257	4-31	01580-0840A	54-7		2-7
01547-05257	4-30	01580-0840B	53-6	04211-13189	3-2
01547-05357	4-30				
01547-0616B	1-27	02112-03063	11-44		4-7
01547-0620B	14-10	02112-04083	10-18	04221-04069	17-24
	43-16	02112-04107	11-45	06111-06003	53-22
	44-11	02112-0412B	24-19		54-23
	44-22	02112-0416B	24-13	06111-08003	53-20
01547-0625B	58-8	02112-0435B	58-6		54-21
01547-06307	4-8	02112-05143	32-16	06111-08004	32-17
	4-18	02112-0516B	41-17	07130-0616B	6-8
	19-16		42-18	07130-0825B	13-8
	20-11	02112-0525B	21-3	07130-0845B	53-11
01547-06357	4-19	02112-0625A	14-5	08123-60027	54-12
01547-06407	4-20	02112-1610B	41-15		16-8
01547-06457	4-9		42-16	08133-63017	55-2
01547-06507	4-21	02112-3620B	28-14		56-21
01547-06557	3-3	02112-7512A	14-7	08143-62027	62-16
01547-06607	3-4	02112-7512B	57-20		63-20
01547-06757	3-5	02112-7520B	17-43	08144-63027	62-15
	3-6	02122-0612A	16-10		63-19
01547-06857	3-6		16-25	08211-06141	17-18
01550-0616B	23-10		17-13	08211-14321	59-5

PART NO.	FIG.NO.-REF.NO.	PART NO.	FIG.NO.-REF.NO.	PART NO.	FIG.NO.-REF.NO.
08211-15201	16-30	08322-0106A	13-6	09139-06114	43-3
08211-15251	16-13	08322-0106B	62-33	09139-06164	47-10
08211-17341	18-5		62-38	09140-06023	15-21
08211-20352	15-6		63-36	09140-06025	17-36
08211-20353	15-2		63-41	09140-08008	59-15
08310-0005B	41-18	08322-01063	24-16	09140-10043	31-9
	42-19	08322-0110A	47-5	09140-16017	16-35
08310-0006A	1-39	08322-0110B	31-13	09140-16019	5-13
	27-13	08322-0114B	59-7	09140-16034	15-4
08310-0006B	31-17	08331-3112A	17-40	09150-05101	42-25
	43-12	08331-3115A	16-31	09150-06010	62-36
	44-5	08331-3118A	56-18		63-39
	44-18	08332-1106B	14-4	09159-06024	41-8
08310-00063	24-17	08341-31039	21-6		42-9
08310-00067	17-34	08361-3506A	23-3	09159-08049	1-12
08310-0008A	62-25	09100-08140	55-11		1-13
	63-25	09100-10501	31-7	09160-05001-A05	56-15
08310-0008B	62-29	09103-08010	3-11	09160-06088	27-7
	63-29	09103-08016	3-10		27-12
08310-0010B	26-7	09103-08081	1-29	09160-06126	41-6
08313-10067	14-20		30-3		42-6
08313-10107	60-12	09104-08034	62-24	09160-06154	42-7
	61-11		63-24	09160-10033	60-9
08316-1005B	27-15	09106-06126	1-34		61-8
08316-1006A	62-10	09108-06128	14-18	09160-10093	60-8
08316-1006B	63-10	09108-06133	14-19		60-11
	27-10	09108-08062	2-2	09160-10124	61-10
	30-19	09108-08089	2-3		32-4
	45-5	09111-06032	7-3	09160-10501	33-5
	56-11	09111-06054	17-17		26-6
08316-10067	2-5	09111-08012	59-12		26-14
08316-10068	37-11	09111-08013	59-13	09160-12011	17-39
08316-1008B	9-11	09116-05020	15-11	09160-14055	56-8
08316-1010B	21-5	09116-06084	36-12		62-7
	26-15	09116-06168	30-9		63-7
08319-2114A	32-19		30-16	09160-15045	15-16
	33-14	09118-06067	45-3	09160-16003	18-12
	59-8	09119-08043	62-27	09160-18002	56-17
08319-3108A	1-30		63-27	09160-19024	33-12
	3-12	09127-06018	41-3	09161-10009	58-10
08319-3112A	30-4	09127-06023	42-3	09162-08008	59-14
	30-7	09128-05101	1-23	09164-12025	7-10
	55-8	09128-06004	23-2	09166-16012	5-14
	56-24	09128-06006	23-8	09167-20011	16-17
08319-3114A	62-13		37-3	09167-20012	16-36
08321-0106A	63-16	09132-03017	24-18	09168-06001	13-4
	13-5	09134-06010	15-20	09168-06023	1-10
08321-0106B	43-11	09137-05004	19-17		4-5
	44-6		20-12		4-10
	44-17	09139-06078	13-3		4-28

PART NO.	FIG.NO.-REF.NO.	PART NO.	FIG.NO.-REF.NO.	PART NO.	FIG.NO.-REF.NO.
09168-06023	7-11	09181-28209	5-10	09280-60005	14-9
	14-23	09181-28210	5-10	09282-10015	15-18
09168-06026	37-4	09181-28211	5-10	09282-12009	5-9
09168-08016	8-5	09200-06004	41-12	09283-20031	59-3
	9-5		42-13	09283-27017	16-26
09168-08032	1-14	09200-06033	33-10	09284-18001	56-20
	1-15	09200-06040	32-11	09285-12002	17-31
09168-12002	4-23	09206-08001	1-3	09285-16003	18-6
09168-14002	4-14	09206-13003	6-2	09285-28001	62-18
	14-12	09209-05011	17-44		63-21
	17-26	09209-10001	42-24	09285-48001	56-3
09169-08012	62-28	09209-11002	62-35	09287-07001	42-22
	63-28		63-38	09289-05002	1-24
09169-08019	55-12	09223-04001	17-21	09289-05011	7-20
09169-08034	40-4	09241-22002	1-19	09320-03004	38-5
09169-16003	15-5	09247-12104	4-22	09320-08018	38-6
09180-06038	30-10	09247-14026	4-13		60-6
	30-17	09247-14043	14-11		61-6
09180-06263	48-7	09248-14013	17-25	09320-08021	30-11
	49-7	09250-06011	53-12		30-18
	50-7		54-13	09320-08047	48-8
09180-06285	27-8	09259-20007	4-11		49-8
09180-12032	56-19	09259-26016	4-24		50-8
09180-12068	17-28	09261-02001	14-3	09320-09009	27-9
09180-13006	6-3	09261-05013	17-10	09320-10022	36-10
09180-15002	62-14	09261-10003	6-5	09329-10001	47-3
	63-17	09262-15031	16-22	09329-10016	36-7
09180-15011	62-17	09262-20069	16-7	09355-30705-600	11-41
	63-18		16-23	09360-10061	58-9
09180-15042	62-12		62-22	09380-17001	18-14
	63-15		63-22	09380-20009	16-6
09181-10195	15-15	09262-28035	5-7		16-15
09181-20139	18-13	09262-35038	5-8	09381-10004	1-2
09181-25251	17-6	09263-15003	15-17	09381-14001	5-19
09181-28022	5-10	09263-28027-0B0	5-2	09390-22002	7-4
09181-28023	5-10	09280-06005	9-9	09401-06101	11-40
09181-28024	5-10	09280-09005	7-9	09401-08401	37-7
09181-28025	5-10	09280-13004	14-14	09401-13409	12-9
09181-28026	5-10	09280-14011	56-7	09401-14401	12-7
09181-28027	5-10		62-6	09402-52208	12-3
09181-28028	5-10		63-6	09404-06429	21-7
09181-28029	5-10	09280-17003	4-12	09404-06431	28-7
09181-28192	5-10	09280-19005	16-34	09404-06433	28-6
09181-28193	5-10	09280-22008	4-25	09407-12402	43-18
09181-28194	5-10	09280-24003	19-15		44-24
09181-28197	5-10		20-10	09407-14403	28-8
09181-28200	5-10	09280-26005	17-42	09407-18402	28-9
09181-28202	5-10	09280-30001	1-18	09407-25401	28-10
09181-28204	5-10	09280-32006	1-26	09409-06322-5PK	48-9
09181-28207	5-10	09280-54001	14-16		49-9

5

PART NO.	FIG.NO.-REF.NO.	PART NO.	FIG.NO.-REF.NO.	PART NO.	FIG.NO.-REF.NO.
09409-06322-5PK 09421-04004 09440-03013 09440-04003 09440-04024	50-9 5-15 6-6 17-11 17-45				
09440-06003 09440-09004	42-23 62-34 63-37				
09440-11016 09440-11018	17-19 9-10				
09440-15014 09440-18002 09440-32006 09443-06012 09443-08044	15-10 14-17 18-3 28-16 17-20				
09443-14015 09443-17007 09443-18002 09444-26013 09448-23002	31-11 31-8 31-4 17-29 7-13				
09448-45003 09471-12020 09471-12045 09471-12071	18-4 25-6 26-4 26-11 24-6				
09471-12077 09471-12081 09471-12103 09471-12128 09471-12196	24-5 25-7 24-4 27-5 24-3				
09481-15001 09482-00456 09482-00458 09482-00516 09491-22013	28-2 1-16 1-16 1-16 10-14				
09491-92004 09492-12007 09492-15005 09493-25003 09494-00490	11-42 10-34 11-43 10-33 11-15				
09494-00907	10-11				

PART NO.	FIG.NO.-REF.NO.	PART NO.	FIG.NO.-REF.NO.	PART NO.	FIG.NO.-REF.NO.

SUZUKI EN125-2A(HU/HUZ)K9 PARTS CATALOGUE

1st Edition
Published in Aug., 2009

©2009 **SUZUKI MOTOR CORPORATION** All rights reserved.

No part of this document may be reproduced or transmitted in any form or by any means, electronic or mechanical, for any purpose, without the express written permission of Suzuki Motor Corporation.

SUZUKI MOTOR CORPORATION

Technical Readiness Group, Quality Administration Department
300 Takatsuka, Minami, Hamamatsu, Japan

Reprint Prohibited (S)

1

**INFORMATION
ILLUSTRATION INDEX**

2

**ENGINE
TRANSMISSION**

3

ELECTRICAL

4

BODY

5

PARTS NUMBER INDEX

SUZUKI MOTOR CORPORATION



* 9 9 0 0 B - 2 0 0 9 6 *

9900B-20096



Printed in Japan