

APPLICATION

The URB's nostalgic 30's look provides the style and warmth of yesteryear with the energy efficiency required today. The photometric performance and ease of maintenance make this luminaire an ideal choice for any park pathway or roadway.

SPECIFICATION FEATURES

A...Photocontrol

Optional NEMA twistlock photocontrol receptacle.

B...Housing

Die-cast aluminum base housing.

C...Mounting

2 bolt self leveling single clamp slipfitter for 2 3/8" O.D. pipe bracket.

D...Reflector Latch

Toggle latch and door hinge combine to provide toolless entry and hands-free ballast maintenance.

E...Reflector

Spun hydroformed specular aluminum reflector.

F...Relamping Latch

Hinged and latched toolless entry for relamping.

G...Refractor

Removable borosilicate prismatic glass refractor.

H...Socket

Mogul-base porcelain socket.



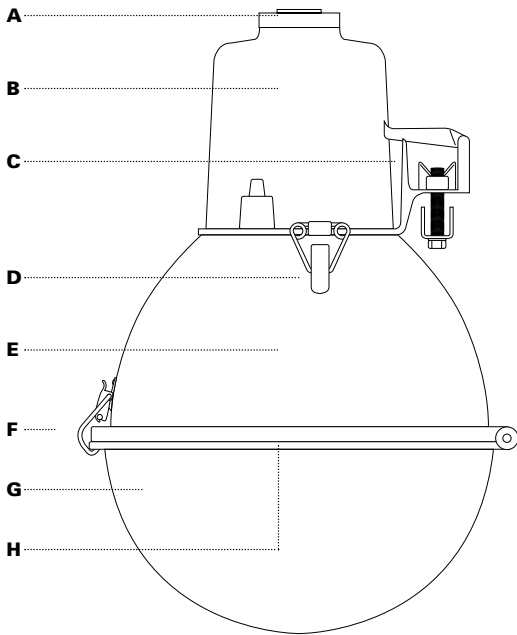
**URB VERTICAL
LAMP ROADWAY
LUMINAIRE**

50 - 150 W

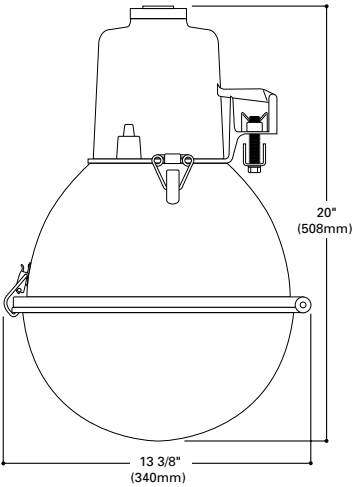
High Pressure Sodium

Metal Halide

**ROADWAY
LUMINAIRE**



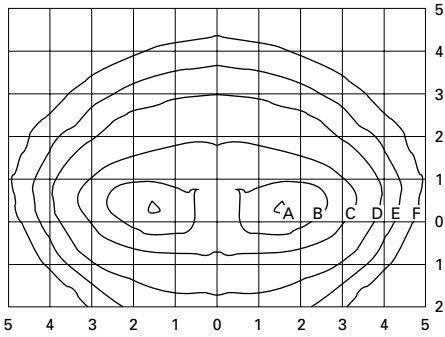
DIMENSIONS



EPA
Effective Projected Area:
1.1 Square Feet
Approximate Net Wt: 19.1 lbs.



PHOTOMETRICS



Footcandle Table

Select mounting height and read across for footcandle values of each isofootcandle line. Distance in units of mounting height.

Mounting Height	Footcandle Values for Isofootcandle Lines					
	A	B	C	D	E	F
20'	2.00	1.00	0.50	0.20	0.05	0.02
25'	1.28	0.64	0.32	0.13	0.06	0.01
30'	0.88	0.44	0.22	0.09	0.02	0.01

URB10MP22M

100-Watt MH
7,800-Lumen Lamp

ORDERING INFORMATION

SAMPLE NUMBER: URB50SH22M

URB						
Product Family URB	Lamp Wattage 50=50W 70=70W 10=100W 15=150W	Lamp Type ¹ S=HPS M=MH	Ballast Type H=Reac./HPF P=Hi. Reac./HPF W=CWA	Voltage 2=120V 0=208V 4=240V 7=240V 8=480V 9=347V W=Multi-Tap Wired 120 N=Multi-Tap Wired 277 V=Multi-Tap Wired 240	Distribution 2N=Type II MSCO (narrow) 2M=Type II MSCO (medium) 2W=Type II MSCO (wide) 3E=Type III MSCO	Options (add as suffix) ³ 1=Single Fused, Internally Mounted (120, 277, or 347V) 2=Double Fused, Internally Mounted (208, 240V) 4=NEMA Twistlock Photocontrol Receptacle T=Top Pendant Mount (1.5" NPT) 6=White 7=Black 8=Bronze 9=Grey

NOTE: ¹ 50-150 Watt MH is medium base standard. ² When ordering options, order in alphanumeric order.

NOTE: Specifications and dimensions subject to change without notice.