

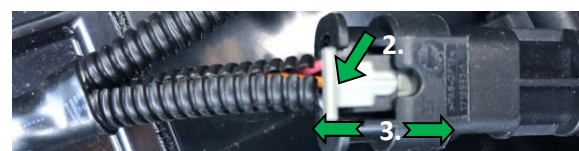
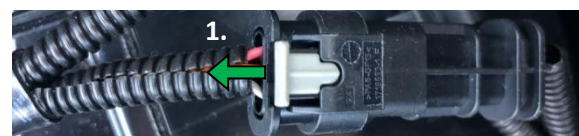
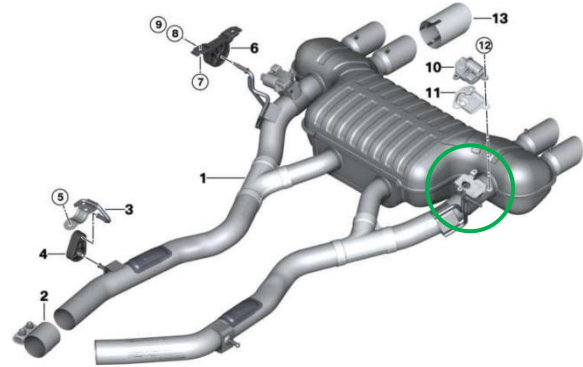
Installation- and operation instructions exhaust flap control

For following models:

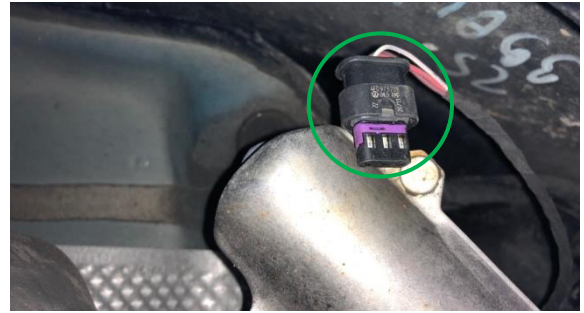
- BMW M2 Coupé Competition (type F87) YOC 2018 – 2021 (302 kW)
- BMW M2 Coupé CS (type F87) YOC 2020 – 2021 (331 kW)
- BMW M2 (type G87) from YOC 2023 (338 kW)
- BMW M3 Limousine (type F80) YOC 2014 – 2018 (317 kW)
- BMW M3 Limousine Competition (type F80) YOC 2016 – 2018 (331 kW)
- BMW M3 Limousine CS (type F80) from YOC 2018 (338 kW)
- BMW M3 Limousine (type G80) from YOC 2020 (353 kW)
- BMW M3 Limousine Competition (xDrive) (type G80) from YOC 2020 (375 kW)
- BMW M4 Coupé (type F82) YOC 2014 – 2019 (317 kW)
- BMW M4 Coupé Competition (type F82) YOC 2016 – 2020 (331 kW)
- BMW M4 Coupé CS (type F82) YOC 2017 – 2018 (338 kW)
- BMW M4 Coupé GTS (type F82) YOC 2016 – 2017 (368 kW)
- BMW M4 Coupé (type G82) from YOC 2020 (353 kW)
- BMW M4 Coupé Competition (xDrive) (type G82) from YOC 2020 (375 kW)
- BMW M4 Cabrio (type F83) YOC 2014 – 2019 (317 kW)
- BMW M4 Cabrio Competition (type F83) YOC 2016 – 2020 (331 kW)
- BMW M4 Cabrio Competition xDrive (type G83) from YOC 2020 (375 kW)
- BMW M550ix Limousine (type G30) YOC 2017 – 2018 (340 kW)
- BMW M550ix Limousine (type G30) from YOC 2019 (390 kW)
- BMW M5 Limousine (type F90) from YOC 2017 (441 kW)
- BMW M5 Limousine Competition (type F90) from YOC 2018 (460 kW)
- BMW M5 Limousine CS (type F90) from YOC 2021 (467 kW)
- BMW 750i(x) Limousine (type G11/G12) YOC 2015 – 2018 (330kW)
- BMW 750i(x) Limousine (type G11/G12) from YOC 2019 (390kW)
- BMW M850ix Cabrio (type G14) from YOC 2018 (390 kW)
- BMW M850ix Coupé (type G15) from YOC 2018 (390 kW)
- BMW M850ix Gran Coupé (type G16) from YOC 2018 (390 kW)
- BMW M8 Cabrio Competition (type F91) from YOC 2019 (460 kW)
- BMW M8 Coupé Competition (type F92) from YOC 2019 (460 kW)
- BMW M8 Gran Coupé Competition (type F93) from YOC 2019 (460 kW)
- BMW X3M (type F97) from YOC 2019 (353 kW)
- BMW X3M Competition (type F97) from YOC 2019 (375 kW)
- BMW X4M (type F98) from YOC 2019 (353 kW)
- BMW X4M Competition (type F98) from YOC 2019 (375 kW)
- BMW X5 50ix (type F15) YOC 2013 – 2018 (330 kW)
- BMW X5M (type F85) from YOC 2015 (423 kW)
- BMW X5 50ix (type G05) from YOC 2018 (340 kW)
- BMW X5 M50ix (type G05) from YOC 2019 (390 kW)
- BMW X5M (type F95) YOC 2020 – 2021 (441 kW)
- BMW X5M Competition (type F95) from YOC 2020 (460 kW)
- BMW X6 50ix (type F16) YOC 2014 – 2018 (330 kW)
- BMW X6M (type F86) YOC 2015 – 2018 (423 kW)
- BMW X6 M50ix (type G06) from YOC 2019 (390 kW)
- BMW X6M Competition (type F96) from YOC 2020 (460 kW)
- BMW X7 50ix (type G07) from YOC 2019 (340 kW)
- BMW X7 M50ix (type G07) from YOC 2019 (390 kW)

Installation has to be carried out expertly by a qualified person:

- 1.) Switch off the ignition.
- 2.) Identify the exhaust flap electric actuator on the left-hand side. It is located on the left above the rear silencer (green circle). On some models, the servomotor can also be located behind the rear silencer. The electrical plug must be unplugged. If it is dirty, please clean it without water or dry the environment as the plug and environment should be dry.
- 3.) Depending on the vehicle model, loosen any screws and fasteners on the rear bumper to get better access and a look behind the bumper.
- 4.) The control unit is basically waterproof and can be installed outside the vehicle in the underbody. However, before starting the assembly, check whether the control unit can also be installed inside the trunk. For example, under the trunk floor mat, there is space to the left next to the 12 volt battery. Then the large rubber stopper in the floor pan must be removed and the two electrical cables routed to the outside and the hole then sealed again with the cut rubber stopper. Alternatively, the rear left or right side panel could be considered.
- 5.) Pull the release of the plug (if available) backwards a little (1). Then press the release (2) and at the same time pull the plug out of the electric servomotor of the exhaust flap (3). You can also practice this well in advance on the identical plugs/sockets of the exhaust flap control unit.



6.) The removed plug must now be connected to the matching counterpart of the exhaust flap control unit.



7.) Pull the electric cable of the exhaust flap control unit up to the exhaust flap. If necessary, you can also hide the electrical cable under the heat shield. Usually a few small screws have to be removed and reattached later.



8.) Now connect the plug that was separated from the exhaust flap to the matching socket of the exhaust flap control unit until it snaps into place (1). Then slide the gray lock of the plug towards the socket so that the plug can no longer be detached (2).



9.) Then connect the plug of the control unit to the servomotor of the exhaust flap until it snaps into place. Push the gray lock in the direction of the servomotor so that the plug can no longer come loose.

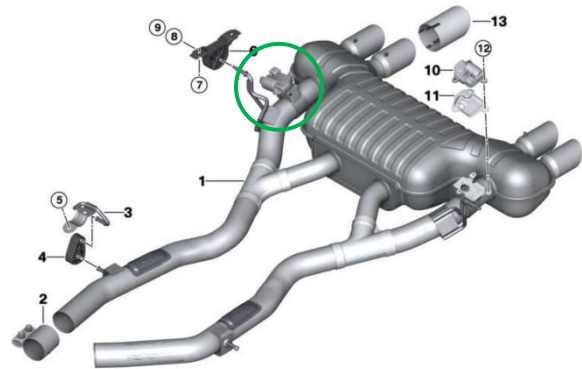


- 10.) Fasten the cable to the electrical wiring harness in the bumper, e.g. with cable ties. Make sure that the connection line on the servomotor of the exhaust flap has enough room to move and is not under tension.



- 11.) Identify the exhaust flap electric actuator on the right side. It is located on the right side above the rear silencer (green circle). On some models, the servomotor can also be located behind the rear silencer.

The electrical plug must be unplugged. If it is dirty, please clean it without water or dry the environment as the plug and environment should be dry.



- 12.) Repeat steps 5 to 9 on the right side.

- 13.) Fasten the cable to the electrical wiring harness in the bumper, e.g. with cable ties. Make sure that the connection line on the servomotor of the exhaust flap has enough room to move and is not under tension.



- 14.) Store the control unit in a suitable place where it is not unnecessarily exposed to excessive heat or constant water exposure. Secure the control unit firmly at suitable points on the vehicle, e.g. with cable ties. (See also point 4)

- 15.) Switch on the ignition and carry out a functional test of the exhaust flap control. If this works as described, reassemble all parts of the bumper in reverse order.

Attention! Exhaust flaps can become stuck after a few weeks or months if left in a fixed position for too long. Therefore, ensure that the flaps move regularly.

Remote control

The following functions can be controlled by briefly pressing a button:
(The engine must be running for this.)

A: Exhaust flaps permanently OPEN

B: Exhaust flaps permanently CLOSED (**Attention!** Avoid full load / very high engine speed!)

C: Exhaust flaps opened and closed by the engine control unit (Serial)

D: Exhaust flaps can be opened individually to a half open position (Freestyle)

In addition, you can reconfigure the exhaust flap control unit by yourself via the remote control:

From the factory setting, the exhaust valve control unit remembers the last selected operating mode that was active when the engine was switched off.

If you want the exhaust flap(s) to be always in A, B, C or D mode, independent of the last setting when starting the engine, you can set this. While the engine is running, press and hold A, B, C or D for 7-8 seconds for the desired mode. When the button is released, the exhaust flaps open and close again twice for audible acknowledgment.

If you want to return to the mode where the exhaust valve control remembers the last flap position when the engine shuts off, press and hold one of the A, B, C or D buttons for 4-5 seconds. When you release the button, the exhaust flaps open and close again. (memory mode)

The exhaust flap control is equipped with an information channel via which the exhaust flaps can communicate with the engine control unit in order to notify it of a malfunction in one of the exhaust flaps, for example. The information channel is activated at the factory. If the information channel is to be deactivated, hold down the C and D buttons simultaneously for 5-6 seconds. When the buttons are released, the exhaust flaps open and close twice.

To reactivate the information channel, hold down the C and D buttons simultaneously for 2-3 seconds. When the buttons are released, the exhaust flaps open and close once.

With a sliding flap from the remote control, two or all four buttons can be hidden.



General information: no approval in the traffic law, installation and operation of the device at your own risk, no liability for damage.

Changing the battery for the remote control

Loosen the 3 screws on the back of the remote control with a small Phillips screwdriver (PH0) and put the screws aside. Place the remote control with the button side down and remove the back of the case. Remove the used battery from its holder and replace it with a new one of the same type (12V battery type A27 or 27A). Pay attention to the correct polarity (+/-). Reassemble the housing parts and screw them together.

Notes on battery disposal

The remote control includes a 12V type A27 or 27A battery. Therefore, we are under the Battery Act (BattG) obliged to point out the following:

You as the end user are legally obliged to return used batteries and rechargeable batteries. Used batteries may contain harmful substances which, if not properly stored or disposed of, could damage the environment or your health. In addition, batteries contain important raw materials (such as iron, zinc, manganese, nickel) that can be recovered if properly disposed of.

We work together to collect the batteries with the Stiftung Gemeinsames Rücknahmesystem Batterien, which has set up a large number of appropriately labeled collection boxes nationwide to enable environmentally friendly disposal and recycling of the batteries.



After use, you can either return the batteries to us, send them to us or return them free of charge in the immediate vicinity (for example, in stores or in the municipal collection points and the collection boxes described). If possible, the batteries should only be handed over in discharged condition or protected against short circuit by attaching an adhesive strip. The delivery in sale points is limited to the usual amount for end users and to those waste batteries that leads the distributor as new batteries in his assortment or led.

Batt-Reg.Nr. DE
14240760

The crossed-out wheeled bin sign means you must not dispose of batteries and accumulators with your household waste. If under this sign in addition one or more of the following symbols are printed, this means:

Pb: battery contains lead (> 0.004% by mass)
Cd: battery contains cadmium (> 0.002% by mass)
Hg: battery contains mercury (> 0.0005% by mass)



Notes on the disposal of WEEE

As an end consumer, you are obliged not to dispose of waste electrical and electronic equipment via household waste, but rather via a municipal collection point. The collection of these old devices and the correct recycling of raw materials protects the environment and protects the natural resources.

WEEE-Reg. number:
DE 86005496



Instructions for the disposal of packaging

Please do not throw packaging waste into the household waste, but feed it to the separate collection. For this purpose, there is usually a bin for paper/cardboard as well as a separate bin or the yellow bag for plastics. Alternatively, these materials can also be sent to a municipal collection point. Collecting these materials and recycling these raw materials properly protects the environment and conserves natural resources.

Register number packaging:
DE4123903175775



This manual is protected by copyright. Any kind of duplication, publication, storage and passing on to third parties requires the approval of the company SST-Spezialsteuergeräte.