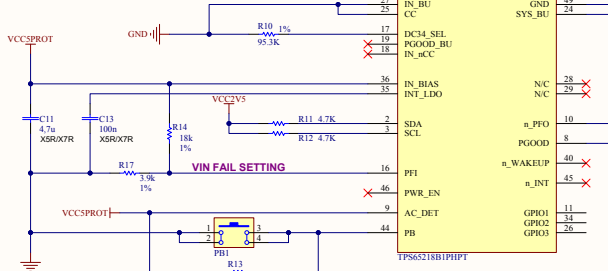


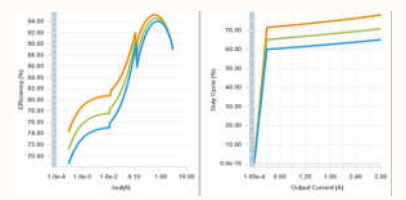
**PMIC LINUX CTRL & MONITORING**

R10 value sets default startup voltages for DCDC3 and DCDC4  
 R10 with a value of 95.3K sets: DCDC3 to 1.2v and DCDC4 to 1.5V

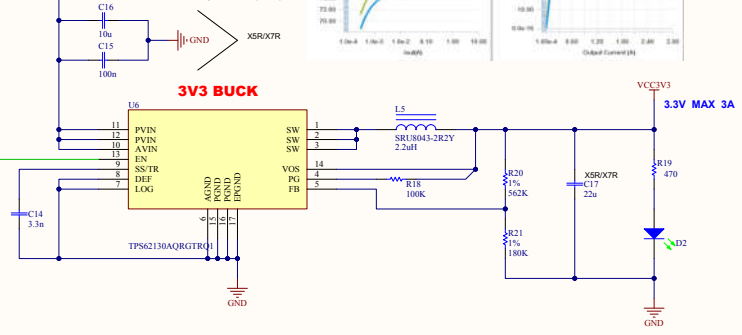


Power up is controlled only by PB1(push button)

VIN FAIL will be triggered when :  
 $VCCSPROT \times [ 3900 / (3900 + 18000) ]$   
 is smaller than 800 mv ( approx when VCCSPROT is smaller than 4.5V )

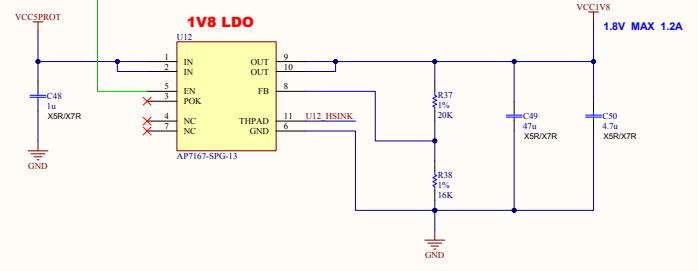
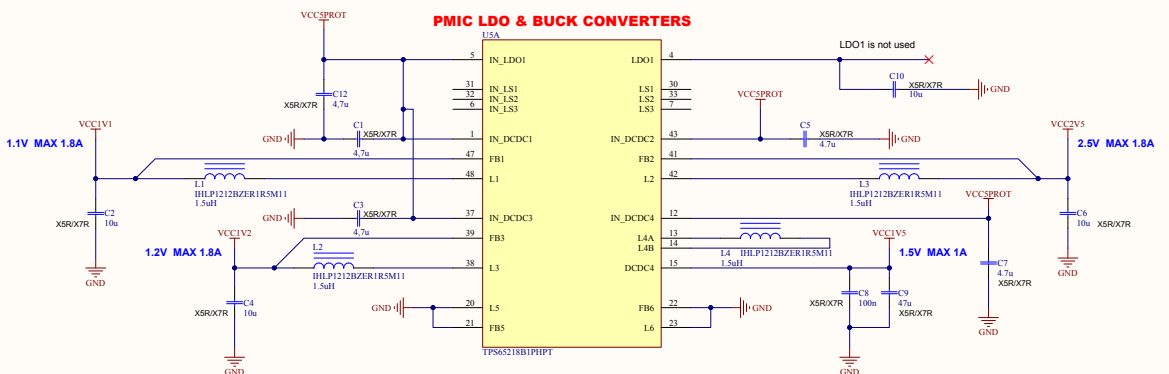


Place C15 close to U11 pin n° 10 (avin)



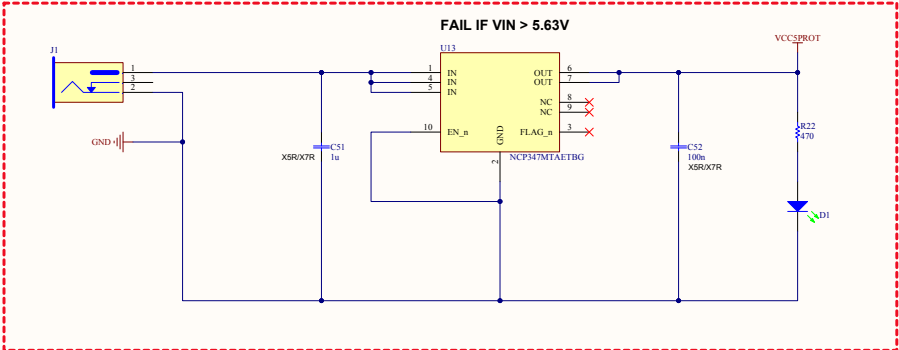
**PMIC LDO & BUCK CONVERTERS**

LDO1 is not used

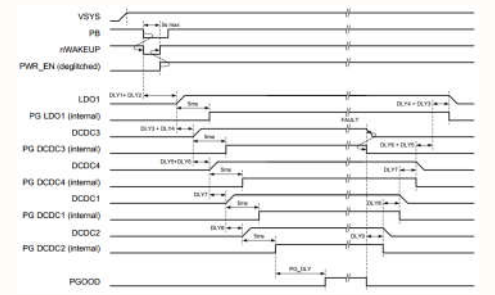


Program-once EEPROM regs by I2C to:  
 DCDC1 --- 1.1V  
 DCDC2 --- 2.5V  
 DCDC3 --- 1.2V  
 DCDC4 --- 1.5V

**INPUT PROTECTION STAGE (RP-OV)**



**STARTUP-SEQUENCE**



Title	Number	Revision
Size	A2	
Date	10/06/2016	Sheet of
File	D:\Protection_PMIC-POWER_S&BNC	Drawn By