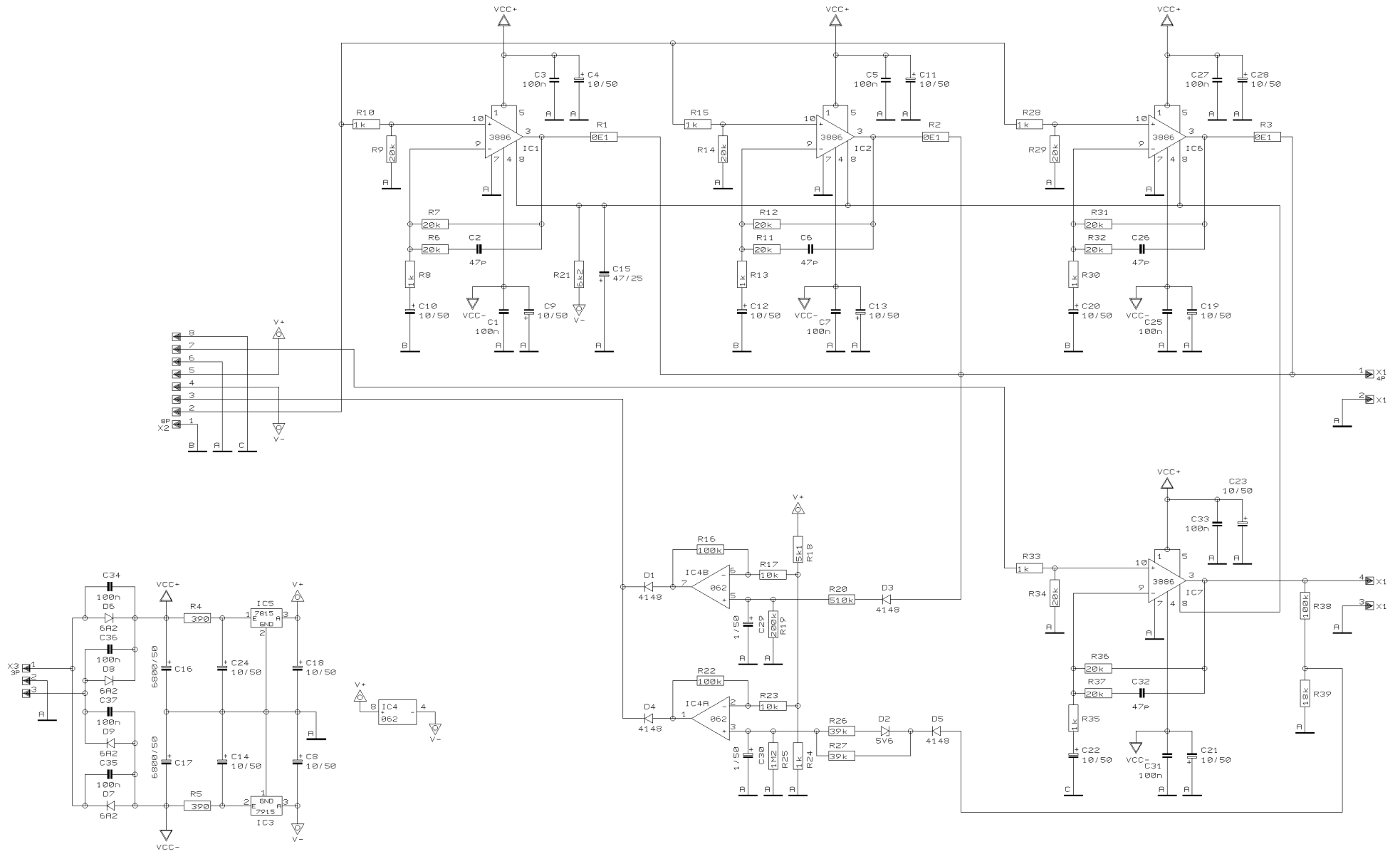


REVISIONS
E (120400)

DRAWN DF CHECKED DATE 19.02. 1
8:30



PROJECT
XOVER
ULTRAWAVE (B300)
INPUT / LIMITER / XOVER
SHEET 1 OF 1 SHEETS TOTAL



REVISIONS	E		
DRAWN	FR	CHECKED	DATE 19.02. 18:27



PROJECT	B300
POWER AMPLIFIER	
SHEET 1	OF 1 SHEETS TOTAL