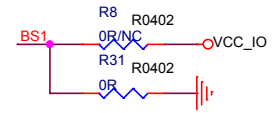
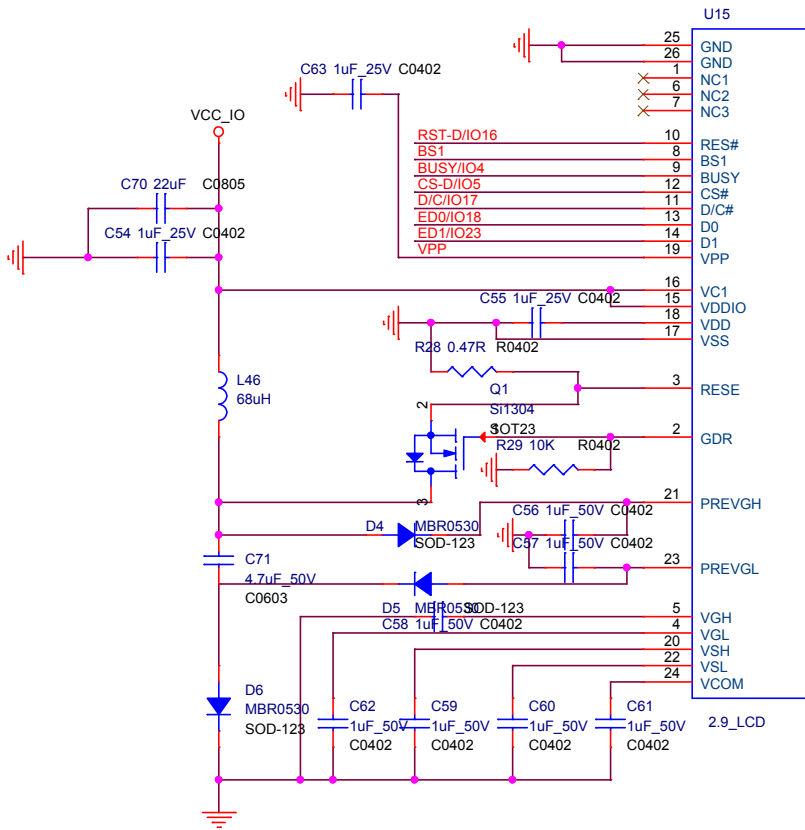
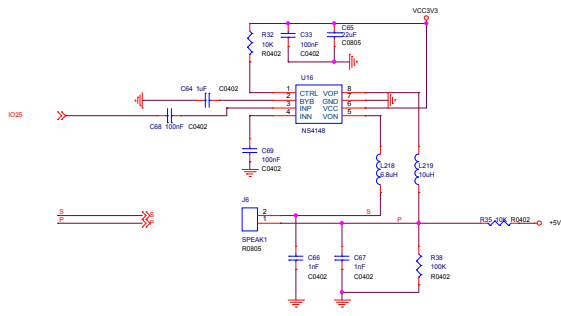


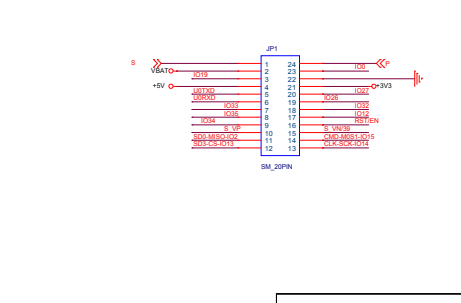
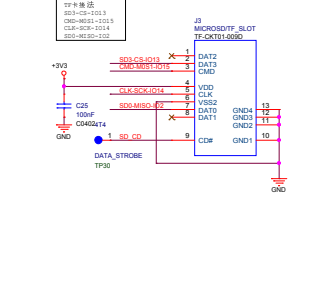
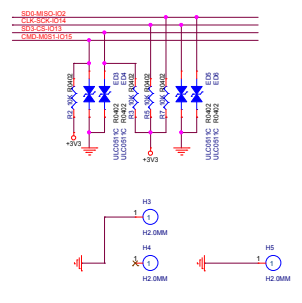
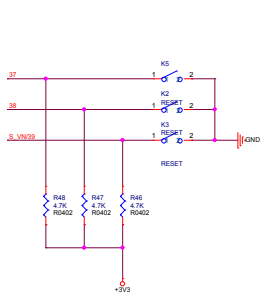
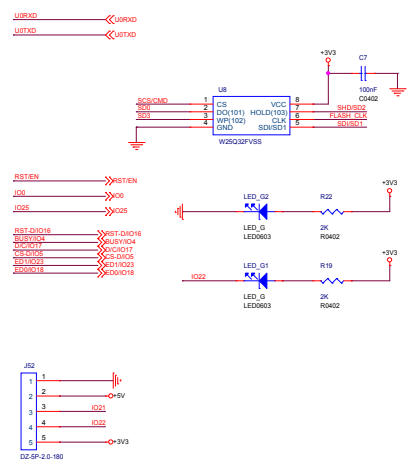
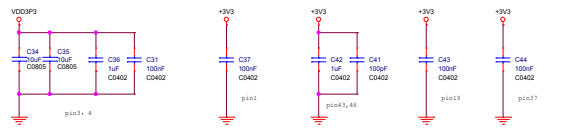
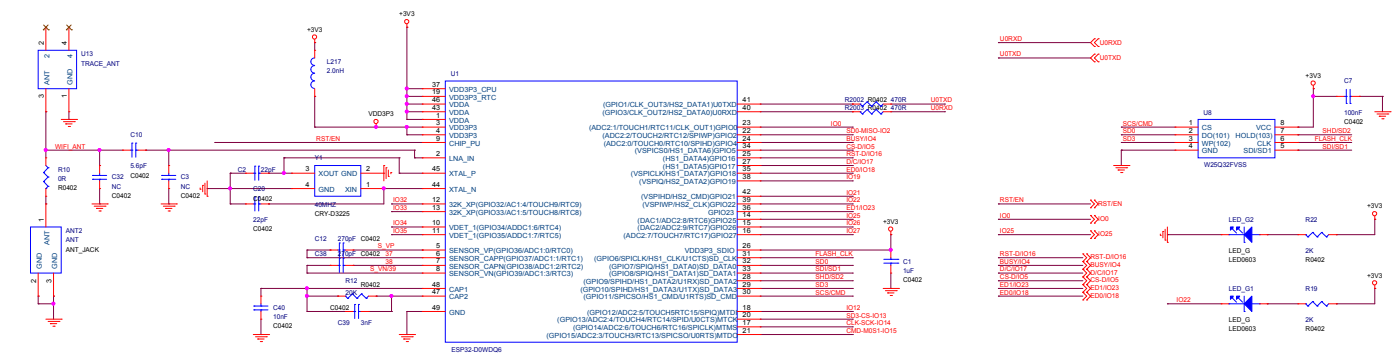
File	TS_V1.7	
Size	Document Number	Rev
C	POWER	V1.7
Date:	Wednesday, September 12, 2018	Sheet 1 of 4



Title		
T5_V1.7		
Size	Document Number	Rev
A	2.9Ink screen	V1.7
Date:	Wednesday, September 12, 2018	Sheet 2 of 4



File	TS_V1.7	
Size	Document Number	Rev
C	3.auxto.cooc	V1.7
Date	Wednesday, September 12, 2018	Sheet 3 of 4



File	TS_V1.7		
Size	Document Number	Rev	
C	ESP32	V1.7	
Date	Wednesday, September 12, 2018	Sheet	4 of 4