



Service Manual

Created: 28 September 2015



EUROPOWER PMP4000

1600-Watt 16-Channel Powered Mixer with Multi-FX Processor and FBQ Feedback Detection System

Specifications	2
PCB Schematic	3
Parts List	6
Exploded Drawing	24

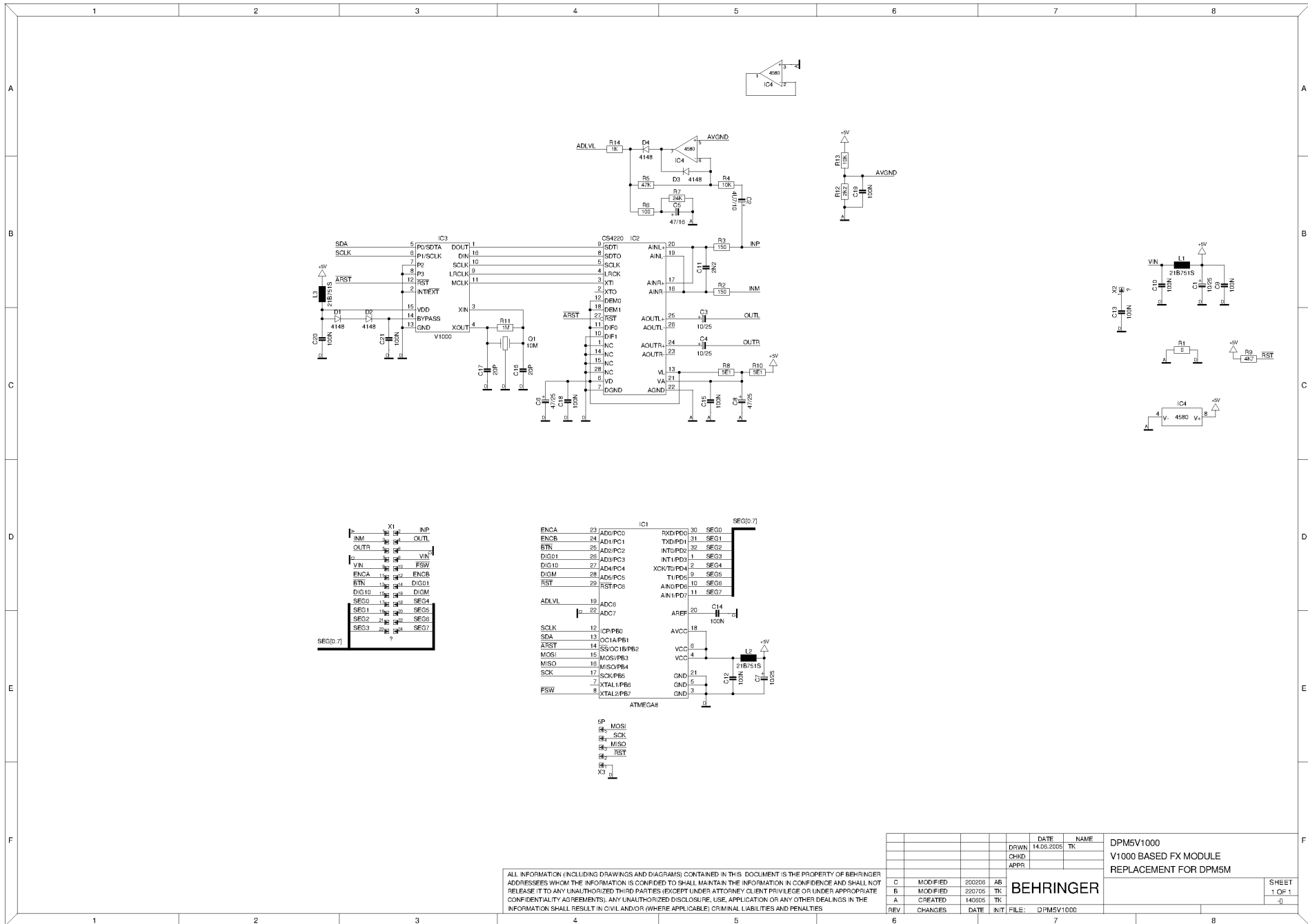
behringer.com



EUROPOWER PMP4000

Specifications

- Ultra-compact 2 x 800-Watt stereo powered mixer (1600-Watt bridged mode)
- Revolutionary Class-D amplifier technology: enormous power, incredible sonic performance and super-light weight
- Ultra-compact design at nearly half the weight of conventional powered mixers
- 16-channel mixer section features 8 mono and 4 stereo channels plus separate CD/Tape input/output
- Studio-grade 24-bit stereo FX processor with 100 awesome presets including reverb, chorus, flanger, delay, pitch shifter and various multi-effects
- Revolutionary FBQ Feedback Detection system instantly reveals critical frequencies for easy feedback removal
- 8 high-quality XENYX Mic Preamps with switchable +48 V phantom power for condenser microphones
- Effective, extremely musical 3-band EQ, switchable Low cut filter, and Clip LEDs on all mono channels
- Stereo 7-band graphic EQ allows precise frequency correction of monitor or main outputs
- Voice Canceller function removes singer's voice from recordings for karaoke applications
- Selectable stereo (main L/R), double mono (main/monitor) or bridged mono amplifier operation mode
- Breathtaking XPQ 3D stereo surround effect for more vitality and enhanced stereo image
- Adjustable stereo CD/Tape input for connecting external signal sources
- Multi-functional stereo Preamp outputs for added flexibility
- Internal switch-mode power supply, noise-free audio, superior transient response and very low power consumption
- 3-Year Warranty Program*
- Conceived and designed by BEHRINGER Germany



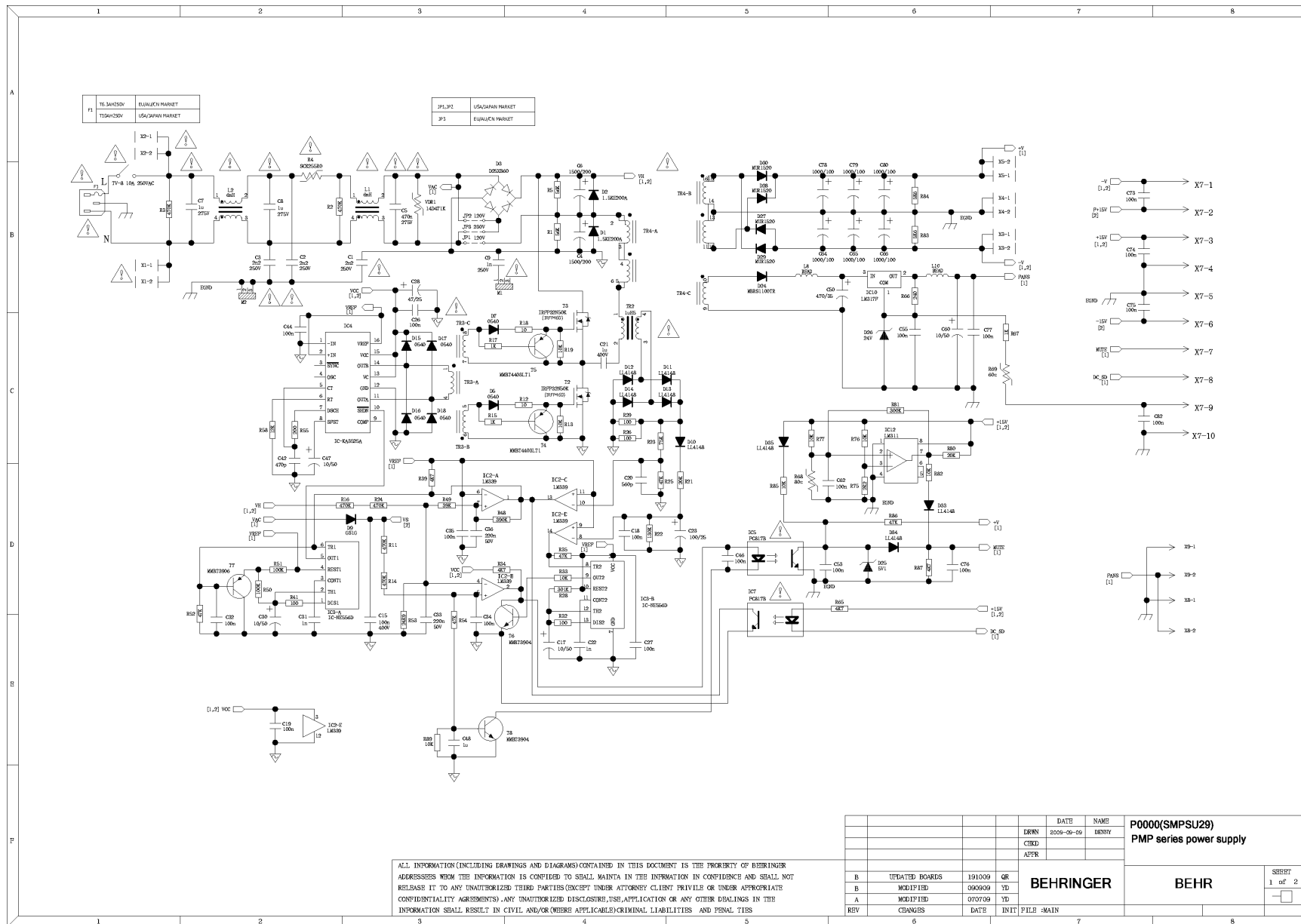
ALL INFORMATION (INCLUDING DRAWINGS AND DIAGRAMS) CONTAINED IN THIS DOCUMENT IS THE PROPERTY OF BEHRINGER ADDRESSES WHOAM THE INFORMATION IS CONFIDED TO SHALL MAINTAIN THE INFORMATION IN CONFIDENCE AND SHALL NOT RELEASE IT TO ANY UNAUTHORIZED THIRD PARTIES EXCEPT UNDER ATTORNEY CLIENT PRIVILEGE OR UNDER APPROPRIATE CONFIDENTIALITY AGREEMENTS; ANY UNAUTHORIZED DISCLOSURE, USE, APPLICATION OR ANY OTHER DEALINGS IN THE INFORMATION SHALL RESULT IN CIVIL AND/OR (WHERE APPLICABLE) CRIMINAL LIABILITIES AND PENALTIES

REV	CHANGES	DATE	INIT	FILE	DPM5V1000
C	MODIFIED	200208	AB		
B	MODIFIED	220705	TK		
A	CREATED	140605	TK		

DATE	NAME	DPM5V1000
DRWN	TK	V1000 BASED FX MODULE
CHKD		REPLACEMENT FOR DPM5M
APPR		

SHEET	1 OF 1
REV	0

SMPSU29_Schematic_REVB.sch-1 - Mon Oct 19 09:20:54 2009



ALL INFORMATION (INCLUDING DRAWINGS AND DIAGRAMS) CONTAINED IN THIS DOCUMENT IS THE PROPERTY OF BEHRINGER. ADDRESSEES WHOM THE INFORMATION IS CONFERRED TO SHALL MAINTAIN THE INFORMATION IN CONFIDENCE AND SHALL NOT RELEASE IT TO ANY UNAUTHORIZED THIRD PARTY(S) WITHOUT THE WRITTEN AUTHORIZATION OF BEHRINGER. BEHRINGER ASSUMES NO LIABILITY FOR ANY UNAUTHORIZED DISCLOSURE, USE, APPLICATION OR ANY OTHER DEALINGS IN THE INFORMATION SHALL RESULT IN CIVIL AND/OR (WHERE APPLICABLE) CRIMINAL LIABILITIES AND PENAL TIES.

				DATE	NAME	P0000(SMPSU29) PMP series power supply	SHSHT	
			ERWIN	2009-09-29	BEHRING			1 of 2
			CTKD					
			APPR					
B	UPDATED BOARD	191009	QR			BEHR		
B	MODIFIED	190909	TD					
A	MODIFIED	070709	TD					
REV	CHANGES	DATE	INIT	FILE	MAIN			

Service Assemblies

	Quantity	Unit	S.Sku	M.Sku	Description	Reference Designators	Notes
1				A09-A8002-00000	SPARE PART;POA80;VERSION:UL;SMPSU29;ELECTRONICS/MECHANICS	[EXTRA SPARE]	
2				A09-A8001-00000	SPARE PART;POA80;VERSION:EU;SMPSU29	[EXTRA SPARE]	
3				A09-A8000-A2000	SPARE PART;POA80;ELECTRONICS;HCA2500	[EXTRA SPARE]	
4				A09-A8000-00000	SPARE PART;POA80	[EXTRA SPARE]	

Hi Pcb Assemblies

	Quantity	Unit	S.Sku	M.Sku	Description	Reference Designators	Notes
1	1.0000	PC		A05-00000-09630	PCB ASSEMBLY;SMPSU29;REV:B;HAND INSERT;NO:909090		
2	1.0000	PC		A05-A8N00-00103	PCB ASSEMBLY;POA8N;REV:C;HI;DPM5V1000		
3	1.0000	PC	Q05-A8N01-09871	A05-A8N01-09871	PCB ASSEMBLY;POA8N;PCB:1;REV:F;HI;NO:517080		
4	1.0000	PC		A05-A8000-00103	PCB ASSEMBLY;POA80;HI;HCA2500;C;PCB NO:910200		
5	1.0000	PC	Q04-A8O00-19000	A05-A8O06-00102	PCB ASSEMBLY;POA80;6;B;HI;OUTPUT		

Cable

	Quantity	Unit	S.Sku	M.Sku	Description	Reference Designators	Notes
1	0.0000	PC		A81-07031-06042	WIRE HARNESS;LENGTH:70mm;AWG:26;P:2mm;HOUSING-BOARD IN CONNECTOR;POLES:10;PIN1 RED/OTHERS BLK		
2	1.0000	PC		A81-07031-06840	WIRE HARNESS;LENGTH:70mm;ZEE;AWG:26;UL2468;P:2mm0;HOUSING-BOARD IN CONNECTOR;POLES:10;PIN1 RD/OTHERS BK	[SMPSU29:00: {1.0}(X7)]	
3	1.0000	PC		A85-00100-15447	WIRE HARNESS;SPECIAL;PITCH:2mm;AWG22;HOUSING 10POLE+(FLAT 360mm+HOUSING 6POLE)+(2xSHIELDED WIRE 360mm+HOUSING 4POLE);6 POLE CONN PIN1 RED/OTHERS BLK	[POA8N:1: {1.0}(X48)]	
4	1.0000	PC	Q76-15032-55649	A76-15032-55649	CABLE;AC-CORD;CLASS II;W/POLYBAG;JAPAN;LENGTH:150cm;POLES:3;APPROVAL:PSE;JS155 3 + VCTF 3x0.75mm2 + V1528		(HM, SH)
5	1.0000	PC	Q76-15042-05624	A76-15042-05624	CABLE;AC-CORD;W/POLYBAG;LENGTH:150cm;H05VV-F3G0.75MM2;VERSION;UK;SPEC.NO:05624		(UK, IN)
6	1.0000	PC	Q76-15212-03119	A76-15212-03119	CABLE;AC-CORD;W/POLYBAG;LENGTH:152cm;H05VV-F 3G 0.75MM2;VERSION;EU;SPEC.NO:03119		(EU)
7	1.0000	PC	Q76-00000-13573	A76-00000-13573	CABLE;AC-CORD;3;AR;1500 MM;Plug + Connector:321+730;H05VV-F 3G0.75		(AR)
8	0.0000	PC		A76-18050-06505	CABLE;AC-CORD;LENGTH:180cm;VERSION:SAA;PLUG:HE105 ISOLATED;SAA H05VV-F 3x0.75mm2;CONN.HP-3;PANYU		(SAA)
9	1.0000	PC	Q76-18050-47490	A76-18050-47490	CABLE;AC-CORD;LENGTH:180cm;VERSION:SAA;PLUG:HE105 ISOLATED;SAA H05VV-F 3x0.75mm2;CONN.HP-3;SPEC.NO:47490		(SAA)
10	1.0000	PC	Q76-15222-06417	A76-15222-06417	CABLE;AC-CORD;W/POLYBAG;LENGTH:152cm;AWG:18;VERSION;JUL;SPEC.NO:06417		(UL)
11	1.0000	PC	Q76-00000-05305	A76-00000-05305	CABLE;AC-CORD;3;BR;1500 MM;Plug + Connector:375+730;H05VV-F 3G0.75		(BR)

Capacitor

	Quantity	Unit	S.Sku	M.Sku	Description	Reference Designators	Notes
1	9.0000	PC			CAP E;220uF;4V;PITCH:2mm5;5mm x 11mm;VERTICAL 12.7-15-9mm	[POA8N:01: {9.0}(C159-C162,C165-C166,C195-C196,C246)]	*NOT available in DP
2	31.0000	PC			CAP E;100uF;6V;PITCH:2mm5;5mm x 11mm;VERTICAL 12.7-15-9mm	[POA8N:01: {31.0}(C99-C100,C164,C185-C190,C197-C200,C202-C203,C205-C206,C208-C209,C211-C212,C214-C215,C217-C218,C220-C221,C223-C224,C226-C227)]	*NOT available in DP
3	1.0000	PC			CAP E;220uF;10V;PITCH:2mm5;6mm x 11mm;VERTICAL 12.7-15-9mm	[POA8N:01: {1.0}(C182)]	*NOT available in DP
4	1.0000	PC			CAP E;47uF;16V;PITCH:2mm5;5mm x 7mm;VERTICAL 12.7-15-9mm	[POA8N:00: {1.0}(C5)]	*NOT available in DP
5	1.0000	PC			CAP E;4uF7;25V;PITCH:2mm5;4mm x 7mm;VERTICAL 12.7-15-9mm	[POA8N:00: {1.0}(C2)]	*NOT available in DP
6	2.0000	PC			CAP E;4uF7;25V;PITCH:2mm5;5mm x 11mm;VERTICAL 12.7-15-9mm	[POA8N:01: {2.0}(C250-C251)]	*NOT available in DP
7	4.0000	PC			CAP E;10uF;25V;PITCH:2mm5;4mm x 7mm;VERTICAL 12.7-15-9mm	[POA8N:00: {3.0}(C1,C3-C4)]	*NOT available in DP
8	42.0000	PC			CAP E;10uF;25V;PITCH:2mm5;5mm x 11mm;VERTICAL 12.7-15-9mm	[POA8N:1: {1.0}(C169)]	*NOT available in DP
9	2.0000	PC			CAP E;22uF;25V;PITCH:2mm5;5mm x 11mm;VERTICAL 12.7-15-9mm	[POA8O:00: {2.0}(C43,C59)]	*NOT available in DP
10	2.0000	PC			CAP E;47uF;25V;PITCH:2mm5;5mm x 7mm;VERTICAL 12.7-15-9mm	[POA8N:00: {2.0}(C6,C8)]	*NOT available in DP
11	65.0000	PC			CAP E;47uF;25V;PITCH:2mm5;5mm x 11mm;VERTICAL 12.7-15-9mm	[POA8N:01: {65.0}(C45-C54,C71-C90,C191-C194,C229-C234,C236-C245,C247-C249,C252-C263)]	*NOT available in DP
12	6.0000	PC			CAP E;100uF;25V;PITCH:2mm5;6mm x 12mm;VERTICAL 12.7-15-9mm	[POA8O:00: {5.0}(C8-C9,C16-C17,C49)]	*NOT available in DP
13	1.0000	PC			CAP E;470uF;25V;PITCH:5mm;10mm x 16mm;VERTICAL 12.7-15-9mm	[POA8N:01: {1.0}(C42)]	*NOT available in DP
14	21.0000	PC			CAP E;2uF2;50V;PITCH:2mm5;5mm x 11mm;VERTICAL 12.7-15-9mm	[POA8N:1: {8.0}(C55-C62)]	*NOT available in DP
15	1.0000	PC			CAP E;4uF7;50V;PITCH:2mm5;5mm x 11mm;VERTICAL 12.7-15-9mm	[POA8N:01: {1.0}(C167)]	*NOT available in DP
16	16.0000	PC			CAP E;47uF;50V;PITCH:2mm5;6mm x 11mm;VERTICAL 12.7-15-9mm	[POA8N:01: {16.0}(C2-C17)]	*NOT available in DP
17	1.0000	PC			CAP E;330uF;63V;PITCH:5mm; ;10 x 20mm;VERTICAL 12.7-15-9mm	[POA8N:01: {1.0}(C1)]	*NOT available in DP
18	8.0000	PC			CAP E;1mF;6V;PITCH:3mm5;8mm x 14mm;PRE CUT:3mm2 - 0/+0mm2	[POA8N:1: {8.0}(C34-C41)]	*NOT available in DP
19	1.0000	PC			CAP E;470uF;10V;PITCH:3mm5;8mm x 12mm;PRE CUT:3mm2 - 0/+0mm2	[POA8N:1: {1.0}(C184)]	*NOT available in DP
20	1.0000	PC			CAP CER;220pF;1KV;Y5P;10%;PITCH:5mm;DISC;VERTICAL 12.7-15-9mm	[POA8N:00: {1.0}(C41)]	*NOT available in DP
21	1.0000	PC			CAP CER;1uF;16V;X5R;10%;SMT603;(MURATA GRM188R61C105KA12D)	[SMPSU29:00: {1.0}(C58)]	*NOT available in DP
22	14.0000	PC			CAP CER;10uF;10%;16V;X7R;SMT1206	[POA8O:00: {14.0}(C2,C21-C24,C28-C29,C48,C79-C82,C84-C85)]	*NOT available in DP
23	2.0000	PC			CAP CER;470nF;25V;X7R;10%;SMT805	[POA8O:00: {2.0}(C52-C53)]	*NOT available in DP
24	2.0000	PC			CAP CER;10pF;50V;10%;SMT603	[PMH3000:1: {2.0}(C298,C303)]	*NOT available in DP
25	32.0000	PC			CAP CER;20pF;50V;20%;SMT603	[PMH3000:1: {32.0}(C376-C381,C412-C415,C424-C427,C438-C439,C443-C444,C450-C453,C458-C459,C481-C488)]	*NOT available in DP
26	2.0000	PC			CAP CER;33pF;50V;5%;COG(NPO);SMT603	[POA8O:00: {2.0}(C5,C66)]	*NOT available in DP
27	11.0000	PC			CAP CER;47pF;50V;5%;COG(NPO);SMT603	[PMH3000:1: {11.0}(C315,C436-C437,C447-C448,C454-C455,C489-C490,C533-C534)]	*NOT available in DP
28	2.0000	PC			CAP CER;47pF;50V;COG;5%;SMD603	[POA8O:00: {2.0}(C38,C68)]	*NOT available in DP
29	34.0000	PC			CAP CER;100pF;50V;20%;SMT603	[PMH3000:1: {34.0}(C264-C266,C275-C278,C295-C297,C299-C302,C304-C305,C310,C348-C351,C462,C464,C466,C468,C470,C472,C474,C476-C480,C532)]	*NOT available in DP
30	4.0000	PC			CAP CER;180pF;50V;10%;SMT603	[POA8O:00: {4.0}(C39,C45,C57,C61)]	*NOT available in DP
31	4.0000	PC			CAP CER;220pF;50V;10%;SMT603	[POA8O:00: {4.0}(C98,C106,C109-C110)]	*NOT available in DP
32	2.0000	PC			CAP CER;270pF;50V;10%;SMT603	[PMH3000:1: {2.0}(C308-C309)]	*NOT available in DP

	Quantity	Unit	S.Sku	M.Sku	Description	Reference Designators	Notes
33	24.0000	PC			CAP CER;330pF;50V;20%;SMT603	[PMH3000:1: {24.0}(C316-C331,C461,C463,C465,C467,C469,C471,C473,C475)]	*NOT available in DP
34	3.0000	PC			CAP CER;560pF;50V;10%;SMT603	[PMH3000:1: {2.0}(C547-C548)]	*NOT available in DP
35	24.0000	PC			CAP CER;680pF;50V;10%;SMT603	[PMH3000:1: {24.0}(C267-C274,C279-C294)]	*NOT available in DP
36	8.0000	PC			CAP CER;1nF;50V;10%;SMT603	[PMH3000:1: {2.0}(C434-C435)]	*NOT available in DP
37	4.0000	PC			CAP CER;1nF;50V;COG;5%;SMT603;(MURATA GRM1885C1H102JA01D)	[POA80:00: {4.0}(C37,C40,C65,C67)]	*NOT available in DP
38	2.0000	PC			CAP CER;2nF2;50V;10%;SMT603	[PMH3000:1: {2.0}(C525,C528)]	*NOT available in DP
39	12.0000	PC			CAP CER;3nF3;50V;10%;SMT603	[PMH3000:1: {12.0}(C390-C395,C404-C409)]	*NOT available in DP
40	8.0000	PC			CAP CER;4nF7;50V;10%;SMT603	[PMH3000:1: {8.0}(C520-C521,C526-C527,C537-C538,C545-C546)]	*NOT available in DP
41	1.0000	PC			CAP CER;5nF6;50V;10%;SMT603	[PMH3000:1: {1.0}(C531)]	*NOT available in DP
42	2.0000	PC			CAP CER;6nF8;50V;10%;SMT603	[PMH3000:1: {2.0}(C428-C429)]	*NOT available in DP
43	5.0000	PC			CAP CER;10nF;50V;10%;SMT603	[PMH3000:1: {3.0}(C442,C529-C530)]	*NOT available in DP
44	41.0000	PC			CAP CER;100nF;50V;10%;SMT603	[POA80:00: {25.0}(C4,C10-C11,C18,C27,C31-C32,C50,C54-C55,C75-C76,C87-C89,C91,C96,C113-C120)]	*NOT available in DP
45	2.0000	PC			CAP CER;20pF;50V;10%;SMT805	[POA8N:00: {2.0}(C16-C17)]	*NOT available in DP
46	1.0000	PC			CAP CER;470pF;50V;COG;2%;SMD805	[SMPSU29:00: {1.0}(C42)]	*NOT available in DP
47	2.0000	PC			CAP CER;1nF;50V;10%;SMT805	[PMH3000:1: {2.0}(C311,C314)]	*NOT available in DP
48	2.0000	PC			CAP CER;1nF5;50V;10%;SMT805	[PMH3000:1: {2.0}(C312-C313)]	*NOT available in DP
49	1.0000	PC			CAP CER;2nF2;50V;10%;SMT805	[POA8N:00: {1.0}(C11)]	*NOT available in DP
50	2.0000	PC			CAP CER;15nF;50V;10%;SMT805	[PMH3000:1: {2.0}(C431,C433)]	*NOT available in DP
51	8.0000	PC			CAP CER;33nF;50V;10%;SMT805	[PMH3000:1: {8.0}(C386-C389,C400-C403)]	*NOT available in DP
52	1.0000	PC			CAP CER;68nF;50V;10%;SMT805;X7R	[PMH3000:1: {1.0}(C515)]	*NOT available in DP
53	111.0000	PC			CAP CER;100nF;50V;X7R;10%;SMT805	[POA8N:00: {10.0}(C9-C10,C12-C15,C18-C21)]	*NOT available in DP
54	2.0000	PC			CAP CER;220nF;50V;10%;SMT805	[SMPSU29:00: {2.0}(C33,C36)]	*NOT available in DP
55	8.0000	PC			CAP CER;330nF;50V;10%;SMT805	[PMH3000:1: {8.0}(C382-C385,C396-C399)]	*NOT available in DP
56	5.0000	PC			CAP CER;1uF;50V;X7R;10%;SMD805	[POA80:00: {4.0}(C51,C56,C93-C94)]	*NOT available in DP
57	2.0000	PC			CAP CER;56pF;100V;5%;NPO;SMT1206	[POA80:00: {2.0}(C44,C47)]	*NOT available in DP
58	7.0000	PC			CAP CER;1nF;100V;X7R;5%;SMT1206	[POA80:00: {4.0}(C7,C86,C101,C104)]	*NOT available in DP
59	1.0000	PC			CAP CER;2nF2;100V;X7R;20%;SMT1206	[SMPSU29:00: {1.0}(C37)]	*NOT available in DP
60	4.0000	PC			CAP CER;3nF3;100V;X7R;10%;SMT1206	[POA80:00: {4.0}(C26,C30,C60,C62)]	*NOT available in DP
61	8.0000	PC			CAP CER;10nF;100V;X7R;10%;SMD1206	[POA80:06: {6.0}(C1-C6)]	*NOT available in DP
62	13.0000	PC			CAP CER;100nF;100V;X7R;10%;SMD1206	[POA80:00: {4.0}(C20,C77-C78,C95)]	*NOT available in DP
63	10.0000	PC			CAP CER;1uF;100V;X7R;10%;SMD1812	[POA80:00: {8.0}(C12,C25,C69,C74,C97,C99,C102,C105)]	*NOT available in DP
64	24.0000	PC			CAP MYL;33nF;50V;10%;PITCH:5mm;DIPPED;VERTICAL 12.7-15-9mm	[POA8N:01: {24.0}(C133-C152,C170-C173)]	*NOT available in DP
65	24.0000	PC			CAP MYL;12nF;100V;10%;PITCH:4mm;DIPPED;PRECUT:3mm1 +/-0mm5	[POA8N:1: {24.0}(C117-C132,C174-C181)]	*NOT available in DP
66	24.0000	PC			CAP MYL;18nF;100V;10%;PITCH:4mm5;DIPPED;PRECUT:3mm1 +/-0mm5	[POA8N:1: {24.0}(C91-C98,C101-C116)]	*NOT available in DP
67	4.0000	PC			CAP Y1;2nF2;250V;P:10mm0;PRECUT:3MM1 +/-0MM5	[SMPSU29:00: {4.0}(C1-C3,C24)]	*NOT available in DP
68	1.0000	PC			CAP Y2;10nF;250V;PITCH:10mm	[SMPSU29:00: {1.0}(C9)]	*NOT available in DP
69	2.0000	PC			CAP E;BIPOLAR;2uF2;50V;PITCH:2mm5;5mm x 11mm;VERTICAL 12.7-15-9mm	[POA80:06: {2.0}(C7-C8)]	*NOT available in DP
70	1.0000	PC			CAP E;22uF;450V;20%;PITCH:5mm;13mm x 25mm;105C;VERTICAL 12.7-15-9mm	[SMPSU29:00: {1.0}(C10)]	*NOT available in DP
71	2.0000	PC			CAP E;1mF5;200V;PITCH;10mm;30mmx46mm;20%	[SMPSU29:00: {2.0}(C4,C6)]	*NOT available in DP
72	2.0000	PC	R12-23100-04988	B12-23100-04988	CAP X2;1uF;275V;P:22mm5;10%	[SMPSU29:00: {2.0}(C7-C8)]	
73	1.0000	PC	R12-32470-31378	B12-32470-31378	CAP X2;470nF;275V;PITCH:22mm5;CASE:11mm x 26mm;CASE:11mm x 26mm;PRE-CUT:3.2+/-0.5mm	[SMPSU29:00: {1.0}(C5)]	

	Quantity	Unit	S.Sku	M.Sku	Description	Reference Designators	Notes
74	3.0000	PC			CAP E;100uF;25V;PITCH;2mm5;6mm3x11mm;20%;LOW ESR;VERTICAL 12.7-15-9mm	[P0A80:00: {2.0}(C41,C46)]	*NOT available in DP
75	7.0000	PC			CAP E;470uF;25V;PITCH;5mm;10mmx16mm;20%;LOW ESR;RAD;VERTICAL 12.7-15-9mm	[SMPSU29:00: {5.0}(C40,C43,C52,C56-C57)]	*NOT available in DP
76	1.0000	PC			CAP E;470uF;35V;PITCH;5mm;10mmx20mm;20%;LOW ESR; VERTICAL 12.7-15-9mm	[SMPSU29:00: {1.0}(C50)]	*NOT available in DP
77	3.0000	PC			CAP E;100uF;63V;PITCH;5mm;10mmx16mm;20%;LOW ESR; VERTICAL 12.7-15-9mm	[SMPSU29:00: {2.0}(C49,C54)]	*NOT available in DP
78	1.0000	PC			CAP E;47 uF;25 V;20 %;RADIAL;5*11;2,5 MM;T&R	[SMPSU29:00: {1.0}(C16)]	*NOT available in DP
79	2.0000	PC			CAP E;1mF;25V;PITCH;5mm;13mmx20mm;20%;LOW ESR;RAD;PRECUT:3MM3+/-0MM3	[SMPSU29:00: {2.0}(C45,C51)]	*NOT available in DP
80	1.0000	PC			CAP E;10uF;50V;PITCH;2mm;5mmx11mm;20%;LOW ESR;PRECUT:3MM3+/-0MM3	[SMPSU29:00: {1.0}(C60)]	*NOT available in DP
81	1.0000	PC			CAP E;10uF;63V;PITCH;2mm;5mmx11mm;20%;LOW ESR;PRECUT:3MM3+/-0MM3	[SMPSU29:00: {1.0}(C67)]	*NOT available in DP
82	10.0000	PC			CAP E;1mF;100V;PITCH;7mm5;18mmx41mm;20%;LOW ESR;PRECUT:3MM3+/-0MM3	[P0A80:00: {4.0}(C6,C34,C70,C90)]	*NOT available in DP
83	4.0000	PC			CAP FILM;220 nF;250 V;PPM;5 %;RADIAL;12.5 x 12.5 x 8mm;CBB25;PRECUT:3MM1+/-0MM5	[P0A80:00: {4.0}(C13-C14,C71-C72)]	*NOT available in DP
84	5.0000	PC			CAP FILM;1 uF;400 V;PPM;10 %;25.5 x 19.5 x 11mm;PITCH:22.5 mm;25 A;Hi-RFQ	[P0A80:00: {4.0}(C19,C33,C83,C92)]	*NOT available in DP
85	1.0000	PC			CAP FILM;10nF;400V;MPF;10%;PITCH:5mm;BOX;VERTICAL 12.7-15-9mm	[P0A8N:00: {1.0}(C11)]	*NOT available in DP
86	2.0000	PC			CAP FILM;100nF;400V;5%;PITCH:15mm;PRE-CUT:3.2+/-0.5mm	[SMPSU29:00: {2.0}(C14-C15)]	*NOT available in DP
87	1.0000	PC			CAP E;47uF;25V;PITCH;2mm5;5mm x 11mm;105C;VERTICAL 12.7-15-9mm	[P0A8N:00: {1.0}(C28)]	*NOT available in DP
88	3.0000	PC			CAP E;10uF;50V;PITCH:2mm5;5mm x 11mm;105C;VERTICAL 12.7-15-9mm	[P0A8N:00: {3.0}(C17,C30,C47)]	*NOT available in DP

Circuit Protector

	Quantity	Unit	S.Sku	M.Sku	Description	Reference Designators	Notes
1	1.0000	PC	R22-01514-10001	B22-01514-10001	FUSE;10A;250V;SLOW BLOW;H-TYPE;5mm x 20mm		(UL, BR, HM, SH)
2	1.0000	PC	R22-01516-30001	B22-01516-30001	FUSE;6A3;250V;SLOW BLOW;H-TYPE;5mm x 20mm		(EU, UK, SAA, AR, IN)

Coil

	Quantity	Unit	S.Sku	M.Sku	Description	Reference Designators	Notes
1	1.0000	PC		B37-01502-06268	COIL;CHOKER;1uH5;UU-9.8	[SMPSU29:00: {1.0}(TR2)]	
2	5.0000	PC	R37-01603-04435	B37-01603-04435	COIL;CHOKER;1uH6;UL TUBE;5 x 16m;WIRE DIA:2UEW0mm6;9.5TURNS	[SMPSU29:00: {5.0}(L4-L7,L9)]	
3	2.0000	PC		B37-11002-06270	COIL;CHOKER;10uH;CS229060	[P0A80:00: {2.0}(L2,L5)]	
4	2.0000	PC		B37-12105-06269	COIL;CHOKER;21uH;T130-2	[P0A80:00: {2.0}(L1,L4)]	
5	1.0000	PC		B37-31002-06265	COIL;CHOKER;1mH;T12.7X7.9X6.35	[SMPSU29:00: {1.0}(TR3)]	
6	1.0000	PC		B37-31505-06266	COIL;CHOKER;1mH5;T31X19X13	[P0A80:00: {1.0}(L3)]	
7	1.0000	PC		B37-35005-06267	COIL;CHOKER;5mH;T31X19X13	[SMPSU29:00: {1.0}(L11)]	
8	2.0000	PC		B37-36002-04836	COIL;CHOKER;6mH*2;T31*19*13;WIRE:2UEW 1MM0	[SMPSU29:00: {2.0}(L1-L2)]	
9	3.0000	PC	R39-00000-03394	B39-00000-03394	COIL;SMD;BEAD;SMD0805;(BLM21BD751SN1D)	[P0A8N:00: {3.0}(L1-L3)]	
10	3.0000	PC	R44-31500-04970	B44-31500-04970	FERRITE BEAD;RH3.5*0.8*4.7-F5B	[SMPSU29:00: {3.0}(L3,L8,L10)]	

Connector

	Quantity	Unit	S.Sku	M.Sku	Description	Reference Designators	Notes
1	2.0000	PC	R80-03440-44694	B80-14440-01101	CONNECTOR;SPEAKON;MALE;STRAIGHT;POLES:4;STYLE:NL4MDV;(C HUN-SHENG HP-01-EP)	[: {2.0}(X1-X2)]	
2	10.0000	PC		B84-00000-20363	AMP TERMINAL;BRASS;A2006;Terminal,wire range:22AWG~26AWG		
3	10.0000	PC	R84-25016-06014	B84-25016-06014	CRIMP TERMINAL;PITCH:2mm0;AWG24-30;A2008TOP-2		
4	9.0000	PC	R84-30060-06009	B84-30060-06009	JACKET;FOR 6mm35 AMP CONNECTOR;PVC;STRAIGHT;DIAMETER:4mm		
5	9.0000	PC		B84-32050-05839	CRIMP CONNECTOR;AMP;RECEPTABLE;6mm3 x 7mm5;AWG 14-18;WIRE MOUNT;STRAIGHT;250 SERIES		
6	5.0000	PC	R84-39000-03120	B84-39000-03120	CONNECTOR;AMP;PCB;PCB MOUNT;PITCH:5mm;WIDTH:6mm3	[SMPSU29:00: {5.0}(X1-X5)]	
7	4.0000	PC		B84-39000-26095	CONNECTOR;AMP;PCB;PCB MOUNTANGLED;PITCH:5mm;WIDTH:6mm3	[POA80:06: {4.0}(X3-X6)]	
8	1.0000	PC	R84-42050-00155	B84-42050-00155	CRIMP CONNECTOR;LUG;INNER DIA:4mm3;AWG 14-18;WIRE MOUNT;STRAIGHT		
9	4.0000	PC		B93-00000-17611	BARE WIRE;2;BULK;L:13mm; 3mm TINED *2; PEW 155	[POA80:06: {4.0}(L1-L2)]	
10	8.0000	PC	R95-01340-03300	B95-01340-03300	CONNECTOR;XLR;SOCKET;FEMALE;STRAIGHT;POLES:3	[POA8N:1: {8.0}(X6-X13)]	
11	2.0000	PC	R93-60700-03161	B93-60700-03161	CONNECTOR;BARE JUMPER;WIRE DIAMETER:0mm7;LENGTH:7mm	[: {2.0}(JP1-JP2)]	(UL, BR, HM, SH)
12	1.0000	PC	R93-60700-03161	B93-60700-03161	CONNECTOR;BARE JUMPER;WIRE DIAMETER:0mm7;LENGTH:7mm	[: {1.0}(JP3)]	(EU, UK, SAA, AR, IN)

Diode

	Quantity	Unit	S.Sku	M.Sku	Description	Reference Designators	Notes
1	10.0000	PC			DIODE;SCHOTTKY;S50540;SOD123;SMD	[POA80:00: {4.0}(D1,D5,D12,D16)]	*NOT available in DP
2	2.0000	PC			DIODE;STANDARD;185 V;DO201AD;1.5KE220A	[SMPSU29:00: {2.0}(D1-D2)]	*NOT available in DP
3	16.0000	PC			DIODE;BAV103;SOD80;TEMIC	[PMH3000:1: {16.0}(D1-D16)]	*NOT available in DP
4	8.0000	PC			DIODE;BAV99;SOT23;SMD	[POA80:00: {8.0}(D3,D14,D22-D23,D26-D29)]	*NOT available in DP
5	35.0000	PC			DIODE;LL4148;LL34;TEMIC OR FC;SMD	[POA8N:00: {4.0}(D1-D4)]	*NOT available in DP
6	1.0000	PC			DIODE;GP;GS1G;400V;1A;DO-214AC;SMD	[SMPSU29:00: {1.0}(D9)]	*NOT available in DP
7	1.0000	PC			DIODE;ZMM05V1;SMD1206	[SMPSU29:00: {1.0}(D25)]	*NOT available in DP
8	2.0000	PC			DIODE;ZMM15V0;SMD1206	[POA80:00: {2.0}(D24-D25)]	*NOT available in DP
9	1.0000	PC			DIODE;ZMM24V0;SMD1206	[SMPSU29:00: {1.0}(D26)]	*NOT available in DP
10	2.0000	PC			DIODE;US1J;DO-214AC;SMD	[SMPSU29:00: {2.0}(D4,D20)]	*NOT available in DP
11	7.0000	PC			DIODE;ES3D;DO-214AB;SMD	[POA80:00: {4.0}(D7-D10)]	*NOT available in DP
12	4.0000	PC			DIODE;DPG15I200PA;TO220AC	[SMPSU29:00: {4.0}(D27-D30)]	*NOT available in DP
13	9.0000	PC			DIODE;SUPERFAST;ES1D;200V;1A;15NS;DO-214AC;SMD	[POA80:00: {6.0}(D2,D4,D6,D11,D13,D15)]	*NOT available in DP
14	1.0000	PC	X80-38552-56090	H80-38552-56090	BRIDGE RECTIFIER;RS-4;BRIDGE;D25XB60;600V;25A;SIL;SHINDENGEN;600 V;25 A	[SMPSU29:00: {1.0}(D3)]	

Display

	Quantity	Unit	S.Sku	M.Sku	Description	Reference Designators	Notes
1	1.0000	PC	S28-00000-32332	C28-00000-32332	DISPLAY;LED;Pattern:8.8;0.4 IN;AMBER;COMMON ANODE;SIZE:20.1X16	[POA8N:1: {1.0}(LD42)]	

Hardware

	Quantity	Unit	S.Sku	M.Sku	Description	Reference Designators	Notes
1	1.0000	PC			CABLE TIE;NYLON;4in;COLOR:		*NOT available in DP
2	4.1600	G			THERM-GREASE;COLOR:WHT;SPEC.NO:09286		*NOT available in DP
3	1.5140	G			SCREWLOCK;SPEC.NO:01090		*NOT available in DP
4	4.0000	PC			HEX.NUT;INNER DIA;M3mm;SURFACE:ZINC		*NOT available in DP
5	1.0000	PC			HEX. NUT;INNER DIA;M4mm;SURFACE:ZINC		*NOT available in DP
6	35.0000	PC			HEX. NUT;FOR JACK;M 3/8in;HEXWRENCH:11mm;THICKNESS:2mm;SURFACE:NICKEL/SLV		*NOT available in DP
7	1.0000	PC			HEX. NUT;FOR JACK;M 3/8in;HEXWRENCH:11mm;THICKNESS:2mm4;SURFACE:NICKEL/SILV ER		*NOT available in DP
8	8.0000	PC			SCREW;DIA:5 MM;LEN:18 MM;PAN;ZINC;BLACK;SCREW ; PAN HEAD ; 5 X 18MM		*NOT available in DP
9	13.0000	PC			SCREW;M3mm*6mm;HEAD:PAN SPRING WASHER;INSERT:PHILIPS REC.;SURFACE:SILVER/NIC		*NOT available in DP
10	4.0000	PC			SCREW;M3mm*8mm;HEAD:PAN SPRING WASHER;INSERT:PHILIPS REC.;SURFACE:SILVER/NIC	[P0A80:00: {2.0}(SC5-SC6)]	*NOT available in DP
11	12.0000	PC			SCREW;M3mm*10mm;HEAD:PAN SPRING WASHER;INSERT:PHILIPS REC.;SURFACE:SILVER/NIC	[P0A80:00: {4.0}(SC1-SC4)]	*NOT available in DP
12	2.0000	PC			SCREW;M3mm*12mm;HEAD:PAN SPRING WASHER;INSERT:PHILIPS REC.;SURFACE:SILVER/NIC.	[SMPSU29:00: {2.0}(SC9-SC10)]	*NOT available in DP
13	10.0000	PC			SCREW;M3mm*5mm;HEAD:PAN;INSERT:PHILIPS REC.;SURFACE:BLACK/ZINC		*NOT available in DP
14	3.0000	PC			SCREW;M3mm*6mm;HEAD:PAN;INSERT:PHILIPS REC.;SURFACE:SILVER/ZINC		*NOT available in DP
15	22.0000	PC			SCREW;M3mm*6mm;HEAD:PAN;INSERT:PHILLIPS REC.;SURFACE:BLACK/ZINC		*NOT available in DP
16	15.0000	PC			SCREW;M3mm*6mm;HEAD:TRUSS;INSERT:PHILIPS REC.;SURFACE:BLACK/ZINC		*NOT available in DP
17	2.0000	PC			SCREW;M3mm*6mm;HEAD:FLAT;INSERT:PHILIPS REC.;SURFACE:ZINC		*NOT available in DP
18	18.0000	PC			SCREW;M3mm*6mm;HEAD:TRUSS DIA 5mm2;INSERT:PHILIPS REC.;SURFACE:BLACK/ZINC		*NOT available in DP
19	4.0000	PC			SCREW;M3mm*7mm;HEAD:PAN;INSERT:PHILIPS REC.;SURFACE:BLACK/ZINC		*NOT available in DP
20	4.0000	PC			SCREW;M3mm*8mm;HEAD:BINDING;INSERT:PHILLIPS REC.;SURFACE:BLACK/ZINC		*NOT available in DP
21	18.0000	PC			SCREW;BT3mm*8mm;HEAD:PAN;INSERT:PHILLIPS REC.;SURFACE:BLACK/ZINC		*NOT available in DP
22	1.0000	PC			SCREW;M3mm*8mm;HEAD:PAN;INSERT:PHILLIPS REC.;SURFACE:BLACK/ZINC		*NOT available in DP
23	2.0000	PC			SCREW;M3mm*8mm;HEAD:FLAT;INSERT:PHILLIPS REC.;SURFACE:ZINC/BLACK		*NOT available in DP
24	6.0000	PC			SCREW;A3mm*10mm;HEAD:PAN;INSERT:CROSS;SURFACE:SILVER/ZI NC	[SMPSU29:00: {6.0}(SC1-SC6)]	*NOT available in DP
25	4.0000	PC			SCREW;M3mm*10mm;HEAD:FLAT;INSERT:PHILIPS REC.;SURFACE:BLACK/ZINC		*NOT available in DP
26	3.0000	PC			SCREW;M4mm*6mm;HEAD:PAN;INSERT:PHILIPS REC.;SURFACE:BLACK/ZINC		*NOT available in DP
27	8.0000	PC			SCREW;M4mm*10mm;HEAD:BINDING;INSERT:PHILIPS REC.;SURFACE:BLACK/ZINC		*NOT available in DP
28	4.0000	PC			SCREW;M4mm*12mm;HEAD:BINDING;INSERT:PHILIPS REC.;SURFACE:BLACK/ZINC		*NOT available in DP
29	4.0000	PC		F89-07000-06274	INSULATION SHEET;AL OXIDE;TO220;19.4x14x0.6	[P0A80:00: {4.0}(INSULATOR1-INSULATOR4)]	

	Quantity	Unit	S.Sku	M.Sku	Description	Reference Designators	Notes
30	2.0000	PC		F89-32020-00152	INSULATION SHEET;GLIMMER;TO247 W/HOLE;HOLE-DIAMETER:3MM1	[SMPSU29:00: {2.0}(INS7-INS8)]	
31	6.0000	PC		F89-43000-00002	INSULATION SHEET;GLIMMER;TO220 W/HOLE;HOLE-DIAMETER:3MM1 (IN-GLTO220_3MM1-REVA.DWG)	[SMPSU29:00: {6.0}(INS1-INS6)]	
32	1.0000	PC			SILICA GEL;MASS:30g;SPEC.NO:30QB-BB2001-4		*NOT available in DP
33	1.0000	PC			STUD;THREAD-DIA:3mm;LENGTH:10mm5;EXT/INT;EXT;5mm		*NOT available in DP
34	1.0000	PC			STUD;THREAD-DIA:3mm;LENGTH:10mm5;INT/INT		*NOT available in DP
35	18.0000	PC			STUD;THREAD-DIA:3mm;LENGTH:13mm8;INT/INT		*NOT available in DP
36	1.0000	PC			STUD;THREAD-DIA:3mm;LENGTH:24mm2;INT/INT		*NOT available in DP
37	0.0840	M			SHRINKING TUBE;INNER DIA;1mm;SPEC.NO:43217		*NOT available in DP
38	48.0000	MM			SHRINKING TUBE;INNER DIA;2MM;SPEC NO:15747		*NOT available in DP
39	0.0400	M			SHRINKING TUBE;INNER DIA;4mm;SPEC.NO:01098		*NOT available in DP
40	0.3600	M			SHRINKING TUBE;INNER DIA;14mm;SPEC.NO:01100		*NOT available in DP
41	0.0250	M			SHRINKING TUBE;INNER DIA:20mm;THICKNESS:0mm5	[SMPSU29:00: {0.025}(C21)]	*NOT available in DP
42	36.0000	PC			WASHER;PLAIN;INNER DIA:9mm6;OUTER DIA:13mm;THICKNESS:0mm5;PLATING:NICKEL		*NOT available in DP
43	4.0000	PC			WASHER;SPRING;INNER DIA:3mm;OUTER DIA:7mm;THICKNESS:1mm7		*NOT available in DP
44	1.0000	PC			WASHER;SPRING;INNER DIA:4mm;OUTER DIA:7mm;THICKNESS:1mm7		*NOT available in DP
45	6.0000	PC			WASHER;EXTERNAL TEETH;INNER DIA:3mm;OUTER DIA:6mm;THICKNESS:1mm	[SMPSU29:00: {6.0}(WASHER1-WASHER6)]	*NOT available in DP
46	1.0000	PC			WASHER;EXTERNAL TEETH;INNER DIA:4mm;OUTER DIA:7mm;THICKNESS:1mm7		*NOT available in DP
47	1.0000	PC		F97-00000-05266	CARTON SHEET;POA8N-PAPERBOARD_FRONT		
48	1.0000	PC		F97-00000-05268	CARTON SHEET;POA8N-PAPERBOARD_REAR		
49	2.0000	PC		F97-00000-05270	CARTON SHEET;POA8N-PAPERBOARD_SIDE		
50	1.0000	PC		F97-00100-15391	FILM;POA8O;PROTECTIVE;DST.NO:001;DPT.NO:15391;(POA8O_PROTECTIVE-FOIL_REVA)		
51	1.0000	PC		F97-00100-15418	MI;POA8N;PROTECTIVE;DST.NO:001;DPT.NO:15418;(POA8N_TOP-FILM_REVA)		
52	2.0000	PC	V97-32000-26356	F97-32000-26356	SHEET 2;SLIDE-SWITCH;PVC;BLACK;DWG.NO:26356;(PVC SHEET2-REVA.DWG)		
53	10.0000	PC			BUSHING;MINIATURE;NYLON;DWG.NO:27886;(R20-5C-PLA_NYLBUSHM3x1_4.DWG)	[POA8O:00: {4.0}(NYLBUSH1-NYLBUSH4)]	*NOT available in DP
54	6.0000	PC			SCREW;A4mm*10mm;HEAD:PAN;INSERT:PHILIPS REC.;SURFACE:BLACK/ZINC		*NOT available in DP

Ic

	Quantity	Unit	S.Sku	M.Sku	Description	Reference Designators	Notes
1	1.0000	PC	S60-54422-00528	C60-22422-00528	IC;AD/DA;V4220M;SSOP	[POA8N:00: {1.0}(IC2)]	
2	1.0000	PC		C60-54422-00528	IC;AD/DA;CS4220;SOP		
3	1.0000	PC	S71-20352-50116	C71-20352-50116	IC;DRIVER VOLTAGE-MODE PWM CONTROLLER;KA3525A;DIP	[SMPSU29:00: {1.0}(IC4)]	
4	2.0000	PC	S71-72008-27408	C71-72008-27408	IC;ADTL082ARZ;SO8	[POA8O:00: {2.0}(IC9,IC12)]	
5	43.0000	PC		C73-00000-29050	IC;OPAMP;SMD;SOP;8;BA4580RF	[POA8N:00: {1.0}(IC4)]	
6	1.0000	PC	S73-22370-00516	C73-22370-00516	IC;OPAMP OPAMP;V13700M;SOP	[POA8O:00: {1.0}(IC8)]	
7	11.0000	PC	S73-58007-40514	C73-31007-40514	IC;OPAMP OPAMP;TL074;SOP;	[PMH3000:1: {11.0}(IC2,IC19-IC22,IC26-IC27,IC36,IC53-IC55)]	
8	1.0000	PC		C73-59458-00408	IC;OPAMP OPAMP;NJM4580L;SIP	[POA8N:1: {1.0}(IC1)]	
9	6.0000	PC	S73-59458-00508	C73-59458-00508	IC;OPAMP OPAMP;NJM4580;SOP		
10	1.0000	PC	S74-50031-70703	C74-50031-70703	IC;VOLT.REGULATOR;LM317LM;SOIC	[POA8O:00: {1.0}(IC2)]	
11	1.0000	PC	S74-50033-70703	C74-50033-70703	IC;VOLT.REGULATOR;LM337LM;SOIC	[POA8O:00: {1.0}(IC1)]	
12	1.0000	PC	S74-55031-71403	C74-55031-71403	IC;VOLT.REGULATOR;LM317F;TO220 FULL	[SMPSU29:00: {1.0}(IC10)]	
13	1.0000	PC	S74-61043-10803	C74-61043-10803	IC;POWER-CONVERSION;VOLT.REFERENCE;TO-92;TL431ACZ	[SMPSU29:00: {1.0}(IC8)]	
14	1.0000	PC	S75-00226-90508	C75-00226-90508	IC;PWM;OB2269C;SOP8	[SMPSU29:00: {1.0}(IC1)]	
15	1.0000	PC	S77-00107-03115	C77-00107-03115	IC;VOLT.REGULATOR;LM317HVT;TO220	[SMPSU29:00: {1.0}(IC11)]	
16	1.0000	PC	S77-05107-03015	C77-05107-03015	IC;VOLT.REGULATOR;VOLT.REG;5V;TO220-3;AZ1086	[SMPSU29:00: {1.0}(IC9)]	
17	2.0000	PC	S77-12107-03110	C77-12107-03110	IC;VOLT.REGULATOR;7812F;FULLPACK;TO220	[POA8O:00: {2.0}(IC5-IC6)]	
18	1.0000	PC	S77-12207-03110	C77-12207-03110	IC;VOLT.REGULATOR;7912F;FULLPACK;TO220	[POA8O:00: {1.0}(IC3)]	
19	2.0000	PC	S78-55031-10508	C78-55031-10508	IC;COMPARATOR;LM311;SOP	[POA8O:00: {1.0}(IC1)]	
20	7.0000	PC	S78-55133-90514	C78-55133-90514	IC;COMPARATOR;(SGS ONLY);LM339;SOP;SMD	[PMH3000:1: {6.0}(IC11-IC13,IC16-IC17,IC23)]	
21	1.0000	PC	T12-00100-02216	D12-00100-02217	IC;DIG COMM.;EUROTEC;V1000;SOIC	[POA8N:00: {1.0}(IC3)]	
22	1.0000	PC	T24-16055-67414	D24-16055-67414	IC;DUAL TIMER;NE556DT;SMD;SO14	[SMPSU29:00: {1.0}(IC3)]	
23	1.0000	PC	T24-18081-61832	D24-18081-61832	IC;MICROCONTROLLER;ATMEGA8A-AU;SMD;TQFP32		
24	2.0000	PC		D28-64209-52216	IC;DIGITAL AUDIO;IRS20955S;SOIC;PIN:16		
25	2.0000	PC	T28-64209-52216	D28-64295-72216	IC;IRS20957S;SOIC	[POA8O:00: {2.0}(IC4,IC10)]	
26	1.0000	PC		D33-00001-37102	IC;MICROCONTROLLER, PROGRAMMED;ATMEGA8A-AU;PMP4000 DPM5V1000;REV:1.09	[POA8N:00: {1.0}(IC1)]	

Led

	Quantity	Unit	S.Sku	M.Sku	Description	Reference Designators	Notes
1	4.0000	PC	U10-33565-00578	E10-33565-00578	LED HIB;2mm x 5mm;GREEN	[POA8N:1: {4.0}(LD41,LD43-LD45)]	
2	1.0000	PC	U10-39585-00580	E10-39585-00580	LED HIB;2mm x 5mm;YELLOW	[POA8N:1: {1.0}(LD40)]	
3	15.0000	PC	U10-53565-00588	E10-53565-00588	LED HIB;3mm ROUND;GREEN	[POA8N:1: {15.0}(LD12,LD23-LD36)]	
4	28.0000	PC	U10-59585-00592	E10-59585-00592	LED HIB;3mm ROUND;YELLOW	[POA8N:1: {28.0}(LD1-LD10,LD15-LD22,LD62-LD71)]	
5	1.0000	PC	U12-37630-00579	E12-37630-00579	LED;2mm x 5mm;RD	[POA8N:1: {1.0}(LD39)]	
6	21.0000	PC	U12-57630-00590	E12-57630-00590	LED;3mm ROUND;RD	[POA8N:1: {21.0}(LD11,LD13-LD14,LD37-LD38,LD46-LD61)]	

Metal Part

	Quantity	Unit	S.Sku	M.Sku	Description	Reference Designators	Notes
1	1.0000	PC		A62-00000-51030	METAL;POA8N;SECC 1.2mm;CASE;STAMPING;GLOSS SEMI;SPRAY METALLIC;DARK GRAY;BOTTOM CASE;REV:A		
2	1.0000	PC		A62-00300-14098	METAL;POWER BRACKET;P07Z5;DST.NO:003;DPT.NO:14098;(PMX8805-POWERBRACKET-REV.C.DWG)		
3	1.0000	PC		A63-00000-05299	METAL;POA8O;ALUMINIUM;HEATSINK;EXTRUSION, CUTTING;NATURAL;REV:D	[POA8O:00: {1.0}(M1)]	
4	1.0000	PC		A63-00000-05559	METAL;POA8O;HEATSINK;PSU;RIGHT		
5	1.0000	PC		A63-00000-05577	METAL;HEATSINK;POA8O;PSU;LEFT		
6	1.0000	PC		A65-00000-05295	METAL;POA8N;SECC 0.8mm;SHIELD;PUNCHING AND BENDING;NATURAL;SHIELD FOR AMP		
7	1.0000	PC		A65-00000-51019	METAL;POA8N;ALUMINIUM ALLOY;HANDLE;EXTRUSION;GLOSS SEMI;SPRAY METALLIC;DARK GRAY;REV:C		
8	1.0000	PC		A65-00000-51022	METAL;POA8N;SECC 1.2mm;PLATE;STAMPING;GLOSS SEMI;SPRAY METALLIC;DARK GRAY;HANDLE PLATE;RHS;REV:B		
9	1.0000	PC		A65-00000-51025	METAL;POA8N;SECC 1.2mm;PLATE;STAMPING;GLOSS SEMI;SPRAY METALLIC;DARK GRAY;HANDLE PLATE;LHS;REV:B		
10	1.0000	PC		A65-00100-15411	METAL;FANGUARD;POA8O;DIA;60mm, NOT PRINTED;DST.NO:001;DPT.NO:15411;(POA8O_FANGUARD-60mm_REV.A)		
11	1.0000	PC		A65-09000-25912	METAL;FAN GUARD;DIAMETER:80mm;TYP:G;NO:01;SPEC.NO:25912		
12	1.0000	PC		A67-00100-02572	METAL STACK;P0565;MIDDLE CABINET;DST.NO 001;MIDDLE SHEET;DST.NO:001		
13	1.0000	PC		J02-00000-43700	METAL;POA8N;REAR CASE;DARK GRAY METALLIC;A003		
14	1.0000	PC	Z02-00000-64809	J02-00000-64809	METAL;POA8N;SECC 0.8mm;PANEL;STAMPING;GLOSS SEMI;SPRAY METALLIC;DARK GRAY;TOP CABINET;G001		

Plastic Part

	Quantity	Unit	S.Sku	M.Sku	Description	Reference Designators	Notes
1	4.0000	PC	W51-01200-01762	G51-01200-01762	RUBBER FOOT;STANDARD;SELF-ADHESIVE;COLOR:BLK;DWG.NO:01762		
2	1.0000	PC		G52-00000-93820	PLASTIC;KNOB;POA4Q;ABS;INJECTION MOULDING;YS1284A;BLACK;POWER_KNOB;REV:B		
3	7.0000	PC	W52-00200-08623	G52-00200-08623	KNOB;FADER;FAD30MMKNOB 1;BLACK;DST.NO:002;DPT.NO:08623;(FADERKNOBBLK1-REVB.DWG)		
4	1.0000	PC	W52-00200-10210	G52-00200-10210	ENCODER KNOB;BLACK;DST.NO:002;DPT.NO:10210;(PMX-ENCODERKNOB-REVB.DWG)		
5	2.0000	PC		G52-00200-10993	KNOB;POT;(10);430C;CAP:430C;DST.NO:002;DPT.NO:10993;(PMX-POTKNOB(10)IN-REVB.DWG)		
6	13.0000	PC	W52-00200-11002	G52-00200-11002	KNOB;POT;(10);430C;CAP:BLACK;DST.NO:002;DPT.NO:11002;(PMX-POTKNOB(10)IN-REVB.DWG)		
7	11.0000	PC	W52-00200-00258	G52-00200-11003	KNOB;POT;(10);430C;CAP:WHITE;DST.NO:002;DPT.NO:11003;(PMX-POTKNOB(10)IN-REVB.DWG)		
8	10.0000	PC	W52-10509-30924	G52-00200-11096	KNOB;FADER;SMALL;BLACK;WHITE LINE;DWG.NO:30924;(FADER-KNOB-SMALL-01-REVB.DWG)		
9	2.0000	PC	W52-00100-00251	G52-00200-11108	KNOB;FADER;SMALL;430C;WHITE LINE;DST.NO:001;DPT.NO:11108;(FADER-KNOB-SMALL-01-REVB.DWG)		
10	24.0000	PC	W52-00200-12257	G52-00200-12257	KNOB;POTENTIOMETER;(10);430C;CAP:194C;DST.NO:002;DPT.NO:12257;(PMX-POTKNOB(10)IN-REVB.DWG)		
11	30.0000	PC	W52-00200-12258	G52-00200-12258	KNOB;POTENTIOMETER;(10);430C;CAP:289C;DST.NO:002;DPT.NO:12258;(PMX-POTKNOB(10)IN-REVB.DWG)		
12	13.0000	PC	W52-00200-12259	G52-00200-12259	KNOB;POTENTIOMETER;(10);430C;CAP:151U;DST.NO:002;DPT.NO:12259;(PMX-POTKNOB(10)IN-REVB.DWG)		
13	2.0000	PC	W52-00200-12270	G52-00200-12270	KNOB;FADER;SMALL;194C;WHITE LINE;DST.NO:2;DPT.NO:12270;(FADER-KNOB-SMALL-01-REVB.DWG)		
14	1.0000	PC	W52-00200-12287	G52-00200-12287	KNOB;FADER;SMALL;01;151U;WHITE LINE;DST.NO:2;DPT.NO:12287;(FADER-KNOB-SMALL-01-REVB.DWG)		
15	42.0000	PC	W52-00500-09353	G52-00500-09353	KNOB;SWITCH;UB-S;DST.NO:005;DPT.NO:09353;(UB-S_SWKNOB-REVE.DWG)		
16	2.0000	PC	W52-00500-11000	G52-00500-11000	KNOB;SWITCH;UB-S;430C;DST.NO:005;DPT.NO:11000;(UB-S_SWKNOB-REVE.DWG)		
17	64.0000	PC	W53-00200-11127	G53-00200-11127	PLASTIC;SPACER;MOULDING;BLACK;LENGTH:11MM;DST.NO:002;DPT.NO:11127;(R20-ACCESSORY-LEDSPACER-REVB.DWG)		
18	1.0000	PC	W53-14000-01976	G53-14000-01976	PLASTIC;SPACER;ABS;BLACK;LENGTH:14MM2;(SWITCHSPACER14_2MM.DWG)		
19	1.0000	PC	W54-07100-01716	G54-07100-01716	PLASTIC;LED BAR;MX1804X;ABS;DWG.NO:01716;(R14-LBAR1804-REVC.DWG)		
20	1.0000	PC	W56-00500-02932	G56-00500-02932	PLASTIC;LEFT;P0229;ABS;MOULDING;YS1284A;SPRAYING;BLACK;DST.NO:005;DPT.NO:2932;(PMX3000-SIDE-CAB-LEFT-REVE.DWG)		
21	1.0000	PC	W56-00600-02933	G56-00600-02933	PLASTIC;SIDE PANEL;PMX3000;RIGHT;DST.NO:006;DPT.NO:02933;(PMX3000-SIDE PANEL_RIGHT-REVB.DWG)		
22	2.0000	PC	W58-00200-00225	G58-00200-00225	PLASTIC;BACK;P0229;ABS;BLACK;DST.NO:002;DPT.NO:0225;(PMX3000-BACK-FOOT-PAD-REVB.DWG)		
23	1.0000	PC	W58-00200-02452	G58-00200-02452	PLASTIC;INLET;ABS;PRO SERIES (POWER SWITCH);SIZE:0in58*0in58;ABS;DST.NO:002;DPT.NO:02452;(PRO-PWRSWIT-REVB.DWG)		
24	1.0000	PC		G58-01300-23568	PLASTIC;BUSHING;DWG.NO:23568;(R2-PMX2000-BUSHING-REVA.DWG)		
25	1.0000	PC	Y64-00000-32653	I64-00000-32653	PLASTIC;P0559;PMMA;TRANSPARENT;LED WINDOW;XENYX FX;DPM5;A003		

Plug Socket

	Quantity	Unit	S.Sku	M.Sku	Description	Reference Designators	Notes
1	35.0000	PC	W64-01211-03174	G64-01211-03174	PLUG;JACK STEREO 6mm3;STRAIGHT SOLDER;W/O MET.RNG.;MET.BUSH.;NO NUT/WASHER;(JY-6351G-02-250)	[POA8N:1: {35.0}(X1-X3,X14-X45)]	
2	1.0000	PC	W64-16212-00005	G64-16212-00005	PLUG;PCB;PLUG;JACK STEREO 6mm3;STRAIGHTPCB LUGS;NO NUT/WASHER;METAL BUSHING;(CHUNSHENG PJ-632HA)	[POA8N:1: {1.0}(X46)]	
3	1.0000	PC	W67-20103-01396	G67-20103-01396	PLUG;AC SOCK;W FUSE;COLOR:BLK;POLES:03;(RONG-FENG RF-2004-C-4.8)		
4	2.0000	PC	W68-04004-03284	G68-04004-03284	PLUG;RCA;SOCKET;RCAJACK4P/S;FEMALE;POLES:04;STRAIGHT	[POA8N:1: {2.0}(X4-X5)]	
5	1.0000	PC		G71-00000-03961	WAFER;V1000-14B,0.35um;LOGIC-3.3V(1P4M)		
6	1.0000	PC		G71-00000-20370	HOUSING;ROWS:1;STRAIGHT;2 MM;A2006;POLES:6;1 ROW;PITCH:2mm0		
7	1.0000	PC		G71-15224-24042	PIN HEADER;POLES:24;STRAIGHT;PITCH:2.54 mm;2 ROWS;1002-24-S	[POA8N:00: {1.0}(X1)]	
8	2.0000	PC	W71-23102-04756	G71-23102-04756	WAFER;POLES:2;STRAIGHT;PITCH:2 mm;1 ROW;TYPE:A2006WV-2P	[SMPSU29:00: {2.0}(X8-X9)]	
9	1.0000	PC	W71-23104-04758	G71-23104-04758	WAFER;POLES:4;STRAIGHT;PITCH:2 mm;1 ROW;TYPE:A2006WV-4P	[POA8O:00: {1.0}(X8)]	
10	1.0000	PC	W71-23106-04965	G71-23106-04965	WAFER;POLES:6;STRAIGHT;PITCH:2 mm;1 ROW;TYPE:A2006WV-6P	[SMPSU29:00: {1.0}(X6)]	
11	1.0000	PC	W71-23110-04749	G71-23110-04749	WAFER;POLES:10;STRAIGHT;PITCH:2 mm;1 ROW;TYPE:A2006WV-10P	[POA8O:00: {1.0}(X1)]	
12	1.0000	PC	W71-35224-03073	G71-35224-03073	PLUG;PCB;PLUG;PCB SOCKET;POLES:24;2 ROWS;STRAIGHT;PITCH:2mm54;2801-24GS	[POA8N:1: {1.0}(X47)]	
13	1.0000	PC	W71-43104-05996	G71-43104-05996	PLUG;HOUSING;POLES:4;ROWS:1;STRAIGHT;PITCH:2mm;TYP:A2008		
14	1.0000	PC	W71-43110-06002	G71-43110-06002	PLUG;HOUSING;POLES:10;ROWS:1;STRAIGHT;PITCH:2mm;TYP:A2008		
15	20.0000	PC	W71-80000-05663	G71-80000-05663	BD.-IN-CONN;TERMINAL;SAN-002T-0.8A		
16	2.0000	PC	W71-83110-05654	G71-83110-05654	BOARD-IN-CONNECTOR;POLES:10;ROWS:1;STRAIGHT;PITCH:2 mm		

Power Supply

	Quantity	Unit	S.Sku	M.Sku	Description	Reference Designators	Notes
1	2.0000	PC	Z67-00000-03492	J67-00000-03492	TRAFO;CURRENT;POA8O;55mH MIN;DCR:2ohms MAX	[POA8O:00: {2.0}(L6-L7)]	
2	1.0000	PC		J69-8A800-06271	TRAFO;SWITCH MODE;PSU;500uH;(SUPERWORLD:R17-19-00091)	[SMPSU29:00: {1.0}(TR4)]	
3	1.0000	PC		J69-8A800-06272	TRAFO;SWITCH MODE;PSU;600uH;(SUPERWORLD:R17-19-00299)	[SMPSU29:00: {1.0}(TR1)]	

Quarz

	Quantity	Unit	S.Sku	M.Sku	Description	Reference Designators	Notes
1	1.0000	PC	X65-40471-00000	H65-40471-00000	QUARZ;RESONATOR;10MHz;HC49/S;FUNDAMENTAL	[POA8N:00: {1.0}(Q1)]	

Resistor

	Quantity	Unit	S.Sku	M.Sku	Description	Reference Designators	Notes
1	8.0000	PC			RESISTOR;CARBON;130Kohm;5%;0W063;SMD603	[PMH3000:1: {8.0}(R279-R286)]	*NOT available in DP
2	2.0000	PC			RESISTOR;CARBON;180Kohm;5%;0W063;SMD603	[PMH3000:1: {2.0}(R700-R701)]	*NOT available in DP
3	16.0000	PC			RESISTOR;CARBON;3ohm9;5%;0W063;SMD603	[PMH3000:1: {16.0}(R99-R114)]	*NOT available in DP
4	9.0000	PC			RESISTOR;CARBON;10ohm;5%;0W063;SMD603	[PMH3000:1: {8.0}(R191-R198)]	*NOT available in DP
5	2.0000	PC			RESISTOR;CARBON;100ohm;5%;0W063;SMD603	[POA80:00: {2.0}(R131-R132)]	*NOT available in DP
6	1.0000	PC			RESISTOR;CARBON;120ohm;5%;0W063;SMD603	[PMH3000:1: {1.0}(R384)]	*NOT available in DP
7	1.0000	PC			RESISTOR;CARBON;150ohm;5%;0W063;SMD603	[PMH3000:1: {1.0}(R413)]	*NOT available in DP
8	2.0000	PC			RESISTOR;CARBON;270ohm;5%;0W063;SMD603	[POA80:00: {2.0}(R48,R76)]	*NOT available in DP
9	2.0000	PC			RESISTOR;CARBON;330ohm;5%;0W063;SMD603	[PMH3000:1: {2.0}(R330,R346)]	*NOT available in DP
10	2.0000	PC			RESISTOR;CARBON;360ohm;5%;0W063;SMD603	[PMH3000:1: {2.0}(R458-R459)]	*NOT available in DP
11	3.0000	PC			RESISTOR;CARBON;470ohm;5%;0W063;SMD603	[PMH3000:1: {3.0}(R347,R385,R414)]	*NOT available in DP
12	5.0000	PC			RESISTOR;CARBON;510ohm;5%;0W063;SMD603	[PMH3000:1: {3.0}(R218-R219,R311)]	*NOT available in DP
13	1.0000	PC			RESISTOR;CARBON;620ohm;5%;0W063;SMD603	[PMH3000:1: {1.0}(R331)]	*NOT available in DP
14	16.0000	PC			RESISTOR;CARBON;910ohm;5%;0W063;SMD603	[PMH3000:1: {16.0}(R348-R349,R351-R352,R354-R355,R357-R358,R360-R361,R363-R364,R366-R367,R369-R370)]	*NOT available in DP
15	25.0000	PC			RESISTOR;CARBON;1Kohm;5%;0W063;SMD603	[PMH3000:1: {20.0}(R98,R122,R396,R467,R491,R527,R530,R533,R536,R539,R542,R545,R548,R551,R554,R562-R566)]	*NOT available in DP
16	4.0000	PC			RESISTOR;CARBON;1Kohm1;5%;0W063;SMD603	[PMH3000:1: {4.0}(R372-R373,R378-R379)]	*NOT available in DP
17	4.0000	PC			RESISTOR;CARBON;1Kohm2;5%;0W063;SMD603	[PMH3000:1: {2.0}(R449,R452)]	*NOT available in DP
18	13.0000	PC			RESISTOR;CARBON;1Kohm3;5%;0W063;SMD603	[PMH3000:1: {13.0}(R312,R350,R353,R356,R359,R362,R365,R368,R371,R374-R375,R380-R381)]	*NOT available in DP
19	13.0000	PC			RESISTOR;CARBON;1Kohm5;5%;0W063;SMD603	[PMH3000:1: {13.0}(R630,R634,R638,R642,R646,R650,R654,R658,R660-R663,R689)]	*NOT available in DP
20	1.0000	PC			RESISTOR;CARBON;1Kohm8;5%;0W063;SMD603	[PMH3000:1: {1.0}(R447)]	*NOT available in DP
21	6.0000	PC			RESISTOR;CARBON;2Kohm;5%;0W063;SMD603	[PMH3000:1: {5.0}(R179-R180,R297,R517-R518)]	*NOT available in DP
22	10.0000	PC			RESISTOR;CARBON;2Kohm2;5%;0W063;SMD603	[PMH3000:1: {10.0}(R302-R309,R448,R457)]	*NOT available in DP
23	12.0000	PC			RESISTOR;CARBON;2Kohm7;5%;0W063;SMD603	[PMH3000:1: {12.0}(R230,R234,R238,R242,R246,R250,R254,R258,R694-R695,R705,R710)]	*NOT available in DP
24	6.0000	PC			RESISTOR;CARBON;3Kohm3;5%;0W063;SMD603	[PMH3000:1: {6.0}(R185-R186,R188-R189,R704,R706)]	*NOT available in DP
25	2.0000	PC			RESISTOR;CARBON;3Kohm6;5%;0W063;SMD603	[PMH3000:1: {2.0}(R450-R451)]	*NOT available in DP
26	20.0000	PC			RESISTOR;CARBON;3Kohm9;5%;0W063;SMD603	[PMH3000:1: {18.0}(R629,R631,R633,R635,R637,R639,R641,R643,R645,R647,R649,R651,R653,R655,R657,R659,R667,R690)]	*NOT available in DP
27	5.0000	PC			RESISTOR;CARBON;4Kohm7;5%;0W063;SMD603	[PMH3000:1: {3.0}(R183,R617,R620)]	*NOT available in DP
28	36.0000	PC			RESISTOR;CARBON;5Kohm1;5%;0W063;SMD603	[PMH3000:1: {36.0}(R287-R288,R463-R464,R492-R507,R510-R511,R514-R516,R519,R555-R556,R598-R599,R621,R675,R677,R679,R687-R688)]	*NOT available in DP
29	3.0000	PC			RESISTOR;CARBON;5Kohm6;5%;0W063;SMD603	[PMH3000:1: {3.0}(R289,R486-R487)]	*NOT available in DP
30	38.0000	PC			RESISTOR;CARBON;6Kohm8;5%;0W063;SMD603	[PMH3000:1: {38.0}(R201-R202,R231,R235,R239,R243,R247,R251,R255,R259,R418-R419,R421-R422,R424-R425,R427-R428,R430-R431,R433-R434,R436-R437,R439-R440,R584-R593,R711-R712)]	*NOT available in DP
31	1.0000	PC			RESISTOR;CARBON;8Kohm2;5%;0W063;SMD603	[PMH3000:1: {1.0}(R278)]	*NOT available in DP
32	64.0000	PC			RESISTOR;CARBON;10Kohm;5%;0W063;SMD603	[PMH3000:1: {42.0}(R139-R146,R153-R160,R184,R215,R376-R377,R382-R383,R420,R423,R426,R429,R432,R435,R438,R441,R444-R445,R482-R485,R520-R521,R684-R685,R698,R707)]	*NOT available in DP

	Quantity	Unit	S.Sku	M.Sku	Description	Reference Designators	Notes
33	10.0000	PC			RESISTOR;CARBON;12Kohm;5%;0W063;SMD603	[PMH3000:1: {10.0}(R262,R264,R266,R268,R270,R272,R274,R276,R622-R623)]	*NOT available in DP
34	12.0000	PC			RESISTOR;CARBON;15Kohm;5%;0W063;SMD603	[PMH3000:1: {12.0}(R228,R232,R236,R240,R244,R248,R252,R256,R666,R676,R678,R680)]	*NOT available in DP
35	10.0000	PC			RESISTOR;CARBON;18Kohm;5%;0W063;SMD603	[PMH3000:1: {10.0}(R187,R190,R263,R265,R267,R269,R271,R273,R275,R277)]	*NOT available in DP
36	15.0000	PC			RESISTOR;CARBON;20Kohm;5%;0W063;SMD603	[PMH3000:1: {13.0}(R220-R221,R224-R225,R229,R233,R237,R241,R245,R249,R253,R257,R594)]	*NOT available in DP
37	4.0000	PC			RESISTOR;CARBON;24Kohm;5%;0W063;SMD603	[PMH3000:1: {4.0}(R291-R294)]	*NOT available in DP
38	26.0000	PC			RESISTOR;CARBON;27Kohm;5%;0W063;SMD603	[PMH3000:1: {26.0}(R394-R395,R489-R490,R525-R526,R528-R529,R531-R532,R534-R535,R537-R538,R540-R541,R543-R544,R546-R547,R549-R550,R552-R553,R582-R583)]	*NOT available in DP
39	2.0000	PC			RESISTOR;CARBON;30Kohm;5%;0W063;SMD603	[PMH3000:1: {2.0}(R460-R461)]	*NOT available in DP
40	4.0000	PC			RESISTOR;CARBON;36Kohm;5%;0W063;SMD603	[PMH3000:1: {4.0}(R686,R691-R692,R697)]	*NOT available in DP
41	1.0000	PC			RESISTOR;CARBON;39Kohm;5%;0W063;SMD603	[SMPSU29:00: {1.0}(R49)]	*NOT available in DP
42	12.0000	PC			RESISTOR;CARBON;47Kohm;5%;0W063;SMD603	[PMH3000:1: {10.0}(R446,R456,R508-R509,R512-R513,R624,R627,R693,R696)]	*NOT available in DP
43	4.0000	PC			RESISTOR;CARBON;62Kohm;5%;0W063;SMD603	[PMH3000:1: {4.0}(R522-R523,R597,R600)]	*NOT available in DP
44	2.0000	PC			RESISTOR;CARBON;68Kohm;5%;0W063;SMD603	[PMH3000:1: {2.0}(R161,R172)]	*NOT available in DP
45	2.0000	PC			RESISTOR;CARBON;82Kohm;5%;0W063;SMD603	[PMH3000:1: {2.0}(R664-R665)]	*NOT available in DP
46	23.0000	PC			RESISTOR;CARBON;100Kohm;5%;0W063;SMD603	[PMH3000:1: {19.0}(R97,R121,R222-R223,R226-R227,R442-R443,R596,R615-R616,R618-R619,R625-R626,R681-R682,R699,R702)]	*NOT available in DP
47	1.0000	PC			RESISTOR;CARBON;200Kohm;5%;0W063;SMD603	[PMH3000:1: {1.0}(R595)]	*NOT available in DP
48	2.0000	PC			RESISTOR;CARBON;300Kohm;5%;0W063;SMD603	[POA80:00: {1.0}(R106)]	*NOT available in DP
49	2.0000	PC			RESISTOR;CARBON;330Kohm;5%;0W063;SMD603	[POA80:00: {2.0}(R162,R165)]	*NOT available in DP
50	12.0000	PC			RESISTOR;CARBON;1Mohm;5%;0W063;SMD603	[PMH3000:1: {12.0}(R390-R393,R628,R632,R636,R640,R644,R648,R652,R656)]	*NOT available in DP
51	2.0000	PC			RESISTOR;SMT;1Mohm6;5%;CARBON;0W063;SMD603	[POA80:00: {2.0}(R31,R86)]	*NOT available in DP
52	4.0000	PC			RESISTOR;METAL;10ohm;1%;0W063;SMD603	[POA80:00: {4.0}(R23,R25,R112,R114)]	*NOT available in DP
53	9.0000	PC			RESISTOR;METAL;100ohm;1%;0W063;SMD603	[POA80:00: {6.0}(R42,R44,R51,R70,R72,R79)]	*NOT available in DP
54	1.0000	PC			RESISTOR;METAL;200ohm;1%;0W063;SMD603	[SMPSU29:00: {1.0}(R55)]	*NOT available in DP
55	2.0000	PC			RESISTOR;METAL;470ohm;1%;0W063;SMD603	[SMPSU29:00: {2.0}(R10,R36)]	*NOT available in DP
56	2.0000	PC			RESISTOR;METAL;510ohm;1%;0W063;SMD603	[POA80:00: {2.0}(R41,R67)]	*NOT available in DP
57	2.0000	PC			RESISTOR;METAL;750ohm;1%;0W063;SMD603	[POA80:00: {2.0}(R35,R90)]	*NOT available in DP
58	4.0000	PC			RESISTOR;METAL;806ohm;1%;0W063;SMD603	[PMH3000:1: {4.0}(R318-R319,R328-R329)]	*NOT available in DP
59	2.0000	PC			RESISTOR;METAL;1Kohm;1%;0W063;SMD603	[PMH3000:1: {1.0}(R261)]	*NOT available in DP
60	2.0000	PC			RESISTOR;METAL;1Kohm21;1%;0W063;SMD603	[POA80:00: {2.0}(R1,R5)]	*NOT available in DP
61	2.0000	PC			RESISTOR;METAL;1Kohm24;1%;0W063;SMD603	[PMH3000:1: {2.0}(R322-R323)]	*NOT available in DP
62	16.0000	PC			RESISTOR;METAL;1Kohm3;1%;0W063;SMD603	[PMH3000:1: {16.0}(R123-R138)]	*NOT available in DP
63	4.0000	PC			RESISTOR;METAL;2Kohm;1%;0W063;SMD603	[PMH3000:1: {4.0}(R316-R317,R326-R327)]	*NOT available in DP
64	2.0000	PC			RESISTOR;METAL;2Kohm2;1%;0W063;SMD603	[POA80:00: {1.0}(R109)]	*NOT available in DP
65	1.0000	PC			RESISTOR;SMT;2Kohm7;1%;METAL;0W063;SMD603	[SMPSU29:00: {1.0}(R90)]	*NOT available in DP
66	2.0000	PC			RESISTOR;METAL;3Kohm16;1%;0W063;SMD603	[PMH3000:1: {2.0}(R320-R321)]	*NOT available in DP
67	2.0000	PC			RESISTOR;METAL;3Kohm30;1%;0W063;SMD603	[POA80:00: {2.0}(R10,R82)]	*NOT available in DP
68	2.0000	PC			RESISTOR;METAL;3Kohm32;1%;0W063;SMD603	[POA80:00: {2.0}(R3,R6)]	*NOT available in DP
69	2.0000	PC			RESISTOR;METAL;3Kohm9;1%;0W063;SMD603	[POA80:00: {2.0}(R49,R77)]	*NOT available in DP
70	4.0000	PC			RESISTOR;METAL;4Kohm42;1%;0W063;SMD603	[PMH3000:1: {2.0}(R410-R411)]	*NOT available in DP

	Quantity	Unit	S.Sku	M.Sku	Description	Reference Designators	Notes
71	1.0000	PC			RESISTOR;METAL;4Kohm7;1%;0W063;SMD603	[SMPSU29:00: {1.0}(R39)]	*NOT available in DP
72	1.0000	PC			RESISTOR;METAL;4Kohm99;1%;0W063;SMD603	[SMPSU29:00: {1.0}(R63)]	*NOT available in DP
73	2.0000	PC			RESISTOR;METAL;5Kohm11;1%;0W063;SMD603	[PMH3000:1: {2.0}(R324-R325)]	*NOT available in DP
74	4.0000	PC			RESISTOR;METAL;6Kohm34;1%;0W063;SMD603	[PMH3000:1: {4.0}(R399-R400,R409,R412)]	*NOT available in DP
75	2.0000	PC			RESISTOR;METAL;7Kohm50;1%;0W063;SMD603	[POA80:00: {2.0}(R43,R71)]	*NOT available in DP
76	6.0000	PC			RESISTOR;METAL;8Kohm25;1%;0W063;SMD603	[POA80:00: {6.0}(R16,R22,R24,R94,R111,R113)]	*NOT available in DP
77	2.0000	PC			RESISTOR;METAL;8Kohm66;1%;0W063;SMD603	[POA80:00: {2.0}(R53,R81)]	*NOT available in DP
78	1.0000	PC			RESISTOR;METAL;9Kohm09;1%;0W063;SMD603	[PMH3000:1: {1.0}(R260)]	*NOT available in DP
79	15.0000	PC			RESISTOR;METAL;10Kohm;1%;0W063;SMD603	[PMH3000:1: {2.0}(R403-R404)]	*NOT available in DP
80	1.0000	PC			RESISTOR;METAL;12Kohm;1%;0W063;SMD603	[SMPSU29:00: {1.0}(R58)]	*NOT available in DP
81	4.0000	PC			RESISTOR;METAL;12Kohm1;1%;0W063;SMD603	[POA80:00: {4.0}(R28,R40,R66,R84)]	*NOT available in DP
82	4.0000	PC			RESISTOR;METAL;13Kohm3;1%;0W063;SMD603	[PMH3000:1: {4.0}(R334-R335,R344-R345)]	*NOT available in DP
83	3.0000	PC			RESISTOR;METAL;15Kohm;1%;0W063;SMD603	[POA80:00: {2.0}(R46,R74)]	*NOT available in DP
84	4.0000	PC			RESISTOR;METAL;16Kohm5;1%;0W063;SMD603	[PMH3000:1: {4.0}(R397-R398,R407-R408)]	*NOT available in DP
85	3.0000	PC			RESISTOR;METAL;20Kohm;1%;0W063;SMD603	[PMH3000:1: {2.0}(R338-R339)]	*NOT available in DP
86	2.0000	PC			RESISTOR;METAL;24Kohm9;1%;0W063;SMD603	[SMPSU29:00: {2.0}(R53,R62)]	*NOT available in DP
87	2.0000	PC			RESISTOR;METAL;26Kohm7;1%;0W063;SMD603	[PMH3000:1: {2.0}(R401-R402)]	*NOT available in DP
88	4.0000	PC			RESISTOR;METAL;30Kohm1;1%;0W063;SMD603	[POA80:00: {4.0}(R37,R54,R63,R68)]	*NOT available in DP
89	4.0000	PC			RESISTOR;METAL;33Kohm2;1%;0W063;SMD603	[PMH3000:1: {4.0}(R332-R333,R342-R343)]	*NOT available in DP
90	2.0000	PC			RESISTOR;METAL;40Kohm2;1%;0W063;SMD603	[PMH3000:1: {2.0}(R405-R406)]	*NOT available in DP
91	6.0000	PC			RESISTOR;METAL;47Kohm;1%;0W063;SMD603	[POA80:00: {2.0}(R50,R78)]	*NOT available in DP
92	2.0000	PC			RESISTOR;METAL;51Kohm1;1%;0W063;SMD603	[PMH3000:1: {2.0}(R336-R337)]	*NOT available in DP
93	1.0000	PC			RESISTOR;METAL;75Kohm;1%;0W063;SMD603	[SMPSU29:00: {1.0}(R23)]	*NOT available in DP
94	2.0000	PC			RESISTOR;METAL;80Kohm60;1%;0W063;SMD603	[PMH3000:1: {2.0}(R340-R341)]	*NOT available in DP
95	2.0000	PC			RESISTOR;METAL;100Kohm;1%;0W063;SMD603	[POA80:00: {2.0}(R52,R80)]	*NOT available in DP
96	1.0000	PC			RESISTOR;METAL;130Kohm;1%;0W063;SMD603	[SMPSU29:00: {1.0}(R22)]	*NOT available in DP
97	2.0000	PC			RESISTOR;METAL;150Kohm;1%;0W063;SMD603	[POA80:00: {2.0}(R47,R75)]	*NOT available in DP
98	2.0000	PC			RESISTOR;METAL;301Kohm;1%;0W063;SMD603	[SMPSU29:00: {2.0}(R27-R28)]	*NOT available in DP
99	1.0000	PC			RESISTOR;METAL;390Kohm;1%;0W063;SMD603	[SMPSU29:00: {1.0}(R48)]	*NOT available in DP
100	1.0000	PC			RESISTOR;CARBON;0ohm;5%;0W1;SMD805	[POA8N:00: {1.0}(R1)]	*NOT available in DP
101	1.0000	PC			RESISTOR;CARBON;2ohm2;5%;0W1;SMD805	[POA8N:00: {1.0}(R10)]	*NOT available in DP
102	1.0000	PC			RESISTOR;CARBON;5ohm1;5%;0W1;SMD805	[POA8N:00: {1.0}(R8)]	*NOT available in DP
103	2.0000	PC			RESISTOR;CARBON;22ohm;5%;0W1;SMD805	[PMH3000:1: {2.0}(R212-R213)]	*NOT available in DP
104	1.0000	PC			RESISTOR;CARBON;100ohm;5%;0W1;SMD805	[POA8N:00: {1.0}(R6)]	*NOT available in DP
105	26.0000	PC			RESISTOR;CARBON;120ohm;5%;0W1;SMD805	[PMH3000:1: {26.0}(R93-R96,R115-R120,R147-R152,R162-R169,R211,R214)]	*NOT available in DP
106	2.0000	PC			RESISTOR;CARBON;150ohm;5%;0W1;SMD805	[POA8N:00: {2.0}(R2-R3)]	*NOT available in DP
107	2.0000	PC			RESISTOR;CARBON;1Kohm;5%;0W1;SMD805	[POA8N:00: {1.0}(R14)]	*NOT available in DP
108	29.0000	PC			RESISTOR;CARBON;1Kohm5;5%;0W1;SMD805	[PMH3000:1: {29.0}(R199-R200,R203-R210,R217,R388,R466,R488,R557-R561,R572-R581)]	*NOT available in DP
109	2.0000	PC			RESISTOR;CARBON;2Kohm2;5%;0W1;SMD805	[PMH3000:1: {2.0}(R170-R171)]	*NOT available in DP
110	1.0000	PC			RESISTOR;CARBON;4Kohm7;5%;0W1;SMD805	[POA8N:00: {1.0}(R9)]	*NOT available in DP
111	1.0000	PC			RESISTOR;CARBON;5Kohm1;5%;0W1;SMD805	[PMH3000:1: {1.0}(R389)]	*NOT available in DP
112	5.0000	PC			RESISTOR;CARBON;6Kohm8;5%;0W1;SMD805	[PMH3000:1: {5.0}(R173,R175-R176,R178,R182)]	*NOT available in DP
113	4.0000	PC			RESISTOR;CARBON;10Kohm;5%;0W1;SMD805	[POA8N:00: {1.0}(R4)]	*NOT available in DP
114	1.0000	PC			RESISTOR;CARBON;20Kohm;5%;0W1;SMD805	[PMH3000:1: {1.0}(R216)]	*NOT available in DP
115	1.0000	PC			RESISTOR;CARBON;24Kohm;5%;0W1;SMD805	[POA8N:00: {1.0}(R7)]	*NOT available in DP
116	1.0000	PC			RESISTOR;CARBON;47Kohm;5%;0W1;SMD805	[POA8N:00: {1.0}(R5)]	*NOT available in DP

	Quantity	Unit	S.Sku	M.Sku	Description	Reference Designators	Notes
117	1.0000	PC			RESISTOR;CARBON;1Mohm;5%;0W1;SMD805	[POA8N:00: {1.0}(R11)]	*NOT available in DP
118	1.0000	PC			RESISTOR;METAL;2Kohm20;1%;0W1;SMD805	[POA8N:00: {1.0}(R12)]	*NOT available in DP
119	1.0000	PC			RESISTOR;METAL;10Kohm;1%;0W1;SMD805	[POA8N:00: {1.0}(R13)]	*NOT available in DP
120	4.0000	PC			RESISTOR;METAL;4ohm75;1%;0W125;SMD1206	[POA8O:00: {4.0}(R29,R32,R64-R65)]	*NOT available in DP
121	11.0000	PC			RESISTOR;CARBON;10ohm;5%;0W25;SMD1206	[POA8O:00: {6.0}(R9,R26,R83,R102,R126-R127)]	*NOT available in DP
122	5.0000	PC			RESISTOR;CARBON;10Kohm;5%;0W25;SMD1206	[POA8O:00: {2.0}(R93,R128)]	*NOT available in DP
123	8.0000	PC			RESISTOR;CARBON;47Kohm;5%;0W25;SMD1206	[POA8O:06: {2.0}(R1-R2)]	*NOT available in DP
124	1.0000	PC			RESISTOR;CARBON;56Kohm;5%;0W25;SMD1206	[POA8O:00: {1.0}(R4)]	*NOT available in DP
125	1.0000	PC			RESISTOR;CARBON;62Kohm;5%;0W25;SMD1206	[POA8O:00: {1.0}(R7)]	*NOT available in DP
126	8.0000	PC			RESISTOR;METAL;15ohm;1%;0W25;SMD1206	[SMPSU29:00: {8.0}(R40,R42,R44-R47,R56-R57)]	*NOT available in DP
127	2.0000	PC			RESISTOR;METAL;100ohm;1%;0W25;SMD1206	[SMPSU29:00: {2.0}(R26,R29)]	*NOT available in DP
128	2.0000	PC			RESISTOR;METAL;1Kohm;1%;0W25;SMD1206	[SMPSU29:00: {2.0}(R15,R17)]	*NOT available in DP
129	3.0000	PC			RESISTOR;SMT;2Kohm2;1%;METAL;0W25;SMD1206	[POA8O:00: {2.0}(R36,R87)]	*NOT available in DP
130	2.0000	PC			RESISTOR;METAL;4.7 kohm;0.25 W;1 %;SMD1206	[SMPSU29:00: {2.0}(R34,R65)]	*NOT available in DP
131	2.0000	PC			RESISTOR;METAL;10Kohm;1%;0W25;SMD1206	[POA8O:00: {2.0}(R115,R117)]	*NOT available in DP
132	10.0000	PC			RESISTOR;METAL;20Kohm;1%;0W25;SMD1206	[POA8O:00: {10.0}(R11,R18,R27,R57-R58,R88,R96,R103,R124-R125)]	*NOT available in DP
133	1.0000	PC			RESISTOR;METAL;22kohm;1%;0W25;SMD1206	[SMPSU29:00: {1.0}(R79)]	*NOT available in DP
134	3.0000	PC			RESISTOR;SMD;METAL;150Kohm;1%;0W25;SMD1206	[SMPSU29:00: {3.0}(R31,R37-R38)]	*NOT available in DP
135	6.0000	PC			RESISTOR;SMT;470Kohm;5%;METAL;0W25;SMD1206	[POA8O:00: {2.0}(R39,R60)]	*NOT available in DP
136	2.0000	PC			RESISTOR;THICK FILM;17Kohm4;1%;0W25;SMD1206	[SMPSU29:00: {2.0}(R72,R74)]	*NOT available in DP
137	5.0000	PC			RESISTOR;THICK FILM;22ohm;5%;0W25;SMD1206	[POA8O:00: {4.0}(R12,R21,R120-R121)]	*NOT available in DP
138	3.0000	PC			RESISTOR;THICK FILM;240ohm;5%;0W25;SMD1206	[SMPSU29:00: {3.0}(R66,R73,R78)]	*NOT available in DP
139	4.0000	PC			RESISTOR;THICK FILM;680ohm;5%;0W25;SMD1206	[POA8O:00: {4.0}(R14,R92,R98,R122)]	*NOT available in DP
140	4.0000	PC			RESISTOR;CARBON;2Kohm;5%;1W;SMD2512	[POA8O:00: {4.0}(R33,R62,R97,R123)]	*NOT available in DP
141	2.0000	PC			RESISTOR;0ohm03;1%;2W;SMD;OARS1	[POA8O:00: {2.0}(R163-R164)]	*NOT available in DP
142	2.0000	PC			RESISTOR;ARRAY METAL;33ohm;1%;SMD1206	[PMH3000:1: {2.0}(R470-R471)]	*NOT available in DP
143	2.0000	PC			RESISTOR;ARRAY;910ohm;SMD1206;CAY16-911J4	[PMH3000:1: {2.0}(R313-R314)]	*NOT available in DP
144	1.0000	PC			RESISTOR;ARRAY;1Kohm;SMD1206;CAY16-102J4	[PMH3000:1: {1.0}(R469)]	*NOT available in DP
145	2.0000	PC			RESISTOR;ARRAY;3Kohm9;SMD1206;CAY16-392J4	[PMH3000:1: {2.0}(R668-R669)]	*NOT available in DP
146	3.0000	PC			RESISTOR;ARRAY;METAL;4Kohm42;1%;SMD1206	[PMH3000:1: {3.0}(R415-R417)]	*NOT available in DP
147	1.0000	PC			RESISTOR;ARRAY;4Kohm7;SMD1206;CAY16-472J4	[PMH3000:1: {1.0}(R473)]	*NOT available in DP
148	8.0000	PC			RESISTOR;ARRAY;5Kohm1;SMD1206;CAY16-512J4	[PMH3000:1: {8.0}(R474-R481)]	*NOT available in DP
149	2.0000	PC			RESISTOR;ARRAY;6Kohm8;SMD1206;CAY16-682J4	[PMH3000:1: {2.0}(R386-R387)]	*NOT available in DP
150	18.0000	PC			RESISTOR;ARRAY;10Kohm;SMD1206;CAY16-103J4	[PMH3000:1: {18.0}(R290,R298-R301,R310,R455,R462,R465,R468,R524,R570-R571,R605-R606,R709,R713-R714)]	*NOT available in DP
151	3.0000	PC			RESISTOR;ARRAY;12Kohm;SMD1206;CAY16-123J4	[PMH3000:1: {3.0}(R604,R703,R708)]	*NOT available in DP
152	2.0000	PC			RESISTOR;ARRAY;METAL;13Kohm3;1%;SMD1206	[PMH3000:1: {2.0}(R453-R454)]	*NOT available in DP
153	2.0000	PC			RESISTOR;ARRAY;15Kohm;SMD1206;CAY16-153J4	[PMH3000:1: {2.0}(R603,R673)]	*NOT available in DP
154	1.0000	PC			RESISTOR;ARRAY;20Kohm;SMD1206;CAY16-203J4	[PMH3000:1: {1.0}(R674)]	*NOT available in DP
155	5.0000	PC			RESISTOR;ARRAY;27Kohm;SMD1206;CAY16-273J4	[PMH3000:1: {5.0}(R567-R569,R601-R602)]	*NOT available in DP
156	2.0000	PC			RESISTOR;ARRAY;30Kohm;SMD1206;CAY16-303J4	[PMH3000:1: {2.0}(R295-R296)]	*NOT available in DP
157	4.0000	PC			RESISTOR;ARRAY;36Kohm;SMD1206;CAY16-363J4	[PMH3000:1: {4.0}(R472,R670-R672)]	*NOT available in DP
158	1.0000	PC			RESISTOR;ARRAY;43Kohm;SMD1206;CAY16-433J4	[PMH3000:1: {1.0}(R683)]	*NOT available in DP
159	8.0000	PC			RESISTOR;ARRAY;47Kohm;SMD1206;CAY16-473J4	[PMH3000:1: {8.0}(R607-R614)]	*NOT available in DP
160	1.0000	PC	Y04-05000-03070	I04-05000-03070	THERMISTOR;NTC;5ohm;12A;PITCH:7mm5;(THINKING SCK255R0S)	[SMPSU29:00: {1.0}(R4)]	
161	2.0000	PC	Y04-23301-00496	I04-23301-00496	THERMISTOR;PTC;330ohms;2Kohm2;20%;DIA;W/ LUG	[POA8O:00: {1.0}(R55)]	

	Quantity	Unit	S.Sku	M.Sku	Description	Reference Designators	Notes
162	2.0000	PC		I04-23301-53364	THERMISTOR;PTC;Tc:40;Ts:60;R25:330ohms;Rs:2Kohm2;20%;DIA:;W/LUG	[POA8O:00: {1.0}(R2)]	
163	1.0000	PC			VARIATOR;385V;0.6 W;PITCH:7.5 mm;VRMS:300V;14471K	[SMPSU29:00: {1.0}(VDR1)]	*NOT available in DP
164	1.0000	PC			RESISTOR;CARBON;0.47 ohm;1W;5 %;CARB;5 MM;PREFORMING;VERTICAL	[SMPSU29:00: {1.0}(R8)]	*NOT available in DP
165	2.0000	PC			RESISTOR;CARBON;56 kohm;2W;5 %;5 MM;PREFORMING;VERTICAL	[SMPSU29:00: {2.0}(R1,R5)]	*NOT available in DP
166	5.0000	PC			RESISTOR;CARBON;22ohm;5%;0W25;LEAD WIRE;HORIZONTAL 26-6mm	[POA8N:01: {5.0}(R18,R67-R69,R88)]	*NOT available in DP
167	2.0000	PC			RESISTOR;CARBON;27ohm;5%;0W25;LEAD WIRE;HORIZONTAL 26-6mm	[POA8N:01: {2.0}(R91-R92)]	*NOT available in DP
168	2.0000	PC			RESISTOR;METAL;390ohm;1%;0W25;LEAD WIRE;HORIZONTAL 26-6mm	[POA8N:01: {2.0}(R89-R90)]	*NOT available in DP
169	2.0000	PC			RESISTOR;METAL;10Kohm;1%;0W25;LEAD WIRE;HORIZONTAL 26-6mm	[POA8N:01: {2.0}(R70-R71)]	*NOT available in DP
170	16.0000	PC			RESISTOR;CARBON;510 ohm;0W25;5 %;CARB;HORIZONTAL 26-6mm	[POA8N:01: {16.0}(R20,R23,R26,R29,R32,R35,R38,R41,R44,R47,R50,R53,R56,R59,R62,R65)]	*NOT available in DP
171	16.0000	PC			RESISTOR;METAL;825 ohm;0W25;1 %;MET;HORIZONTAL 26-6mm	[POA8N:01: {16.0}(R21,R24,R27,R30,R33,R36,R39,R42,R45,R48,R51,R54,R57,R60,R63,R66)]	*NOT available in DP
172	16.0000	PC			RESISTOR;METAL;2.49 kohm;0W25;1 %;MET;HORIZONTAL 26-6mm	[POA8N:01: {16.0}(R19,R22,R25,R28,R31,R34,R37,R40,R43,R46,R49,R52,R55,R58,R61,R64)]	*NOT available in DP
173	16.0000	PC			RESISTOR;METAL;3.92 kohm;0W25;1 %;MET;HORIZONTAL 26-6mm	[POA8N:01: {16.0}(R72-R87)]	*NOT available in DP
174	16.0000	PC			RESISTOR;METAL;6.81 kohm;0W25;1 %;MET;HORIZONTAL 26-6mm	[POA8N:01: {16.0}(R1-R16)]	*NOT available in DP
175	2.0000	PC			RESISTOR;CARBON;470Kohm;5%;0W5;LEAD WIRE	[SMPSU29:00: {2.0}(R2-R3)]	*NOT available in DP
176	1.0000	PC			RESISTOR;CARBON;390ohm;5%;1W;LEAD WIRE	[POA8N:1: {1.0}(R17)]	*NOT available in DP
177	2.0000	PC			RESISTOR;CARBON;470ohm;5%;1W;LEAD WIRE	[SMPSU29:00: {2.0}(R70-R71)]	*NOT available in DP
178	2.0000	PC			RESISTOR;CARBON;4Kohm7;5%;1W;LEAD WIRE	[POA8O:00: {2.0}(R13,R19)]	*NOT available in DP
179	2.0000	PC			RESISTOR;METAL;15Kohm;1%;1W;LEAD WIRE	[POA8O:00: {2.0}(R20,R91)]	*NOT available in DP
180	2.0000	PC			RESISTOR;CARBON;5Kohm6;5%;2W;LEAD WIRE	[SMPSU29:00: {2.0}(R83-R84)]	*NOT available in DP
181	1.0000	PC			RESISTOR;METAL;47Kohm5;1%;2W;LEAD WIRE;RADIAL;PITCH:5mm;PRECUT:7mm;F-TYPE	[SMPSU29:00: {1.0}(R7)]	*NOT available in DP
182	4.0000	PC			RESISTOR;CEMENT;51ohm;5%;5W;LEAD WIRE;RADIAL;PITCH:5mm;PRECUT:3mm1+/-0mm5	[POA8O:00: {4.0}(R8,R15,R56,R104)]	*NOT available in DP

Fader

	Quantity	Unit	S.Sku	M.Sku	Description	Reference Designators	Notes
1	7.0000	PC	Y00-92951-02422	I00-92951-02422	FADER;30mm;100Kohm;TAPER;W;STEREO;W/CC;(POLYSHINE F-3092E+C+E-W100K1-L9.5(J));RED LED	[POA8N:1: {7.0}(VR24-VR30)]	
2	12.0000	PC	Y00-33441-05353	I00-93441-01786	FADER;60mm;10Kohm;TAPER;D;MONO;W/O CC;LEVER:4mm*15mm;W/ THREADS M2;(POLYSHINE F-6045G-N1 D10K L15C(M)(J))	[POA8N:1: {12.0}(VR101-VR108,VR111-VR113,VR115)]	
3	3.0000	PC		I00-94451-02670	FADER;60mm;10Kohm;TAPER;D;STEREO;W/O CC;LEVER LENGTH 15mm;(POLYSHINE F-6045G1 D10K1 L15C(M)(J))	[POA8N:1: {3.0}(VR109-VR110,VR114)]	

Potentiometer

	Quantity	Unit	S.Sku	M.Sku	Description	Reference Designators	Notes
1	24.0000	PC		I03-61245-06649	POTENTIOMETER;50Kohm;TAPER:1B;MONO;SHAFT:30MM;W/ CC;20-100gf;NORMAL TORQUE;(NOBLE XV09213YNPV30F1B50KCC)	[POA8N:1: {24.0}(VR13-VR20,VR31-VR38,VR42-VR49)]	
2	6.0000	PC		I03-62245-06643	POTENTIOMETER;50Kohm;TAPER:1B;STEREO;W/CC;20-100gf;NORMAL TORQUE;(NOBLE XV012313YGPV30F1B50KCC)	[POA8N:1: {6.0}(VR21-VR22,VR39-VR40,VR50-VR51)]	
3	2.0000	PC	Y03-62245-06645	I03-62245-06645	POTENTIOMETER;50Kohm;TAPER:3B;STEREO;SHAFT:30MM;W/CC;20-100gf;NORMAL TORQUE;(NOBLE XV012313YGPV30F3B50KCC)	[POA8N:1: {2.0}(VR10-VR11)]	
4	10.0000	PC		I03-62741-06642	POTENTIOMETER;10Kohm 10Kohm;TAPERA/C;STEREO;SHAFT:30MM;W/ CC;20-100gf;NORMAL TORQUE;(NOBLE XV012313YGPV30F15AC10KCC)	[POA8N:1: {10.0}(VR87-VR96)]	
5	1.0000	PC		I03-63131-06651	POTENTIOMETER;1Kohm;TAPER:15A;MONO;SHAFT:30MM;W/O/CC;20-100gf;NORMAL TORQUE;(NOBLE XV09213YNPV30F15A1K)	[POA8N:1: {1.0}(VR1)]	
6	36.0000	PC		I03-63245-06652	POTENTIOMETER;50Kohm;TAPER:3B;MONO;SHAFT:30MM;W/O CC;20-100gf;NORMAL TORQUE;(NOBLE XV09213YNPV30F3B50K)	[POA8N:1: {36.0}(VR12,VR23,VR52-VR62,VR64-VR74,VR76-VR85,VR97-VR98)]	
7	8.0000	PC	Y03-85335-01906	I03-63335-06650	POTENTIOMETER;5Kohm;TAPER:C05;MONO;SHAFT:30MM;W/O/CC;20-100gf;NORMAL TORQUE;(NOBLE XV09213YNPV30F05C5K)	[POA8N:1: {8.0}(VR2-VR9)]	
8	6.0000	PC	Y03-34645-31441	I03-64245-06647	POTENTIOMETER;50Kohm;TAPER:3B;STEREO;SHAFT:30MM;W/O CC;20-100gf;NORMAL TORQUE;(NOBLE XV012313YGPV30F3B50K)	[POA8N:1: {6.0}(VR41,VR63,VR75,VR86,VR99-VR100)]	

Encoder

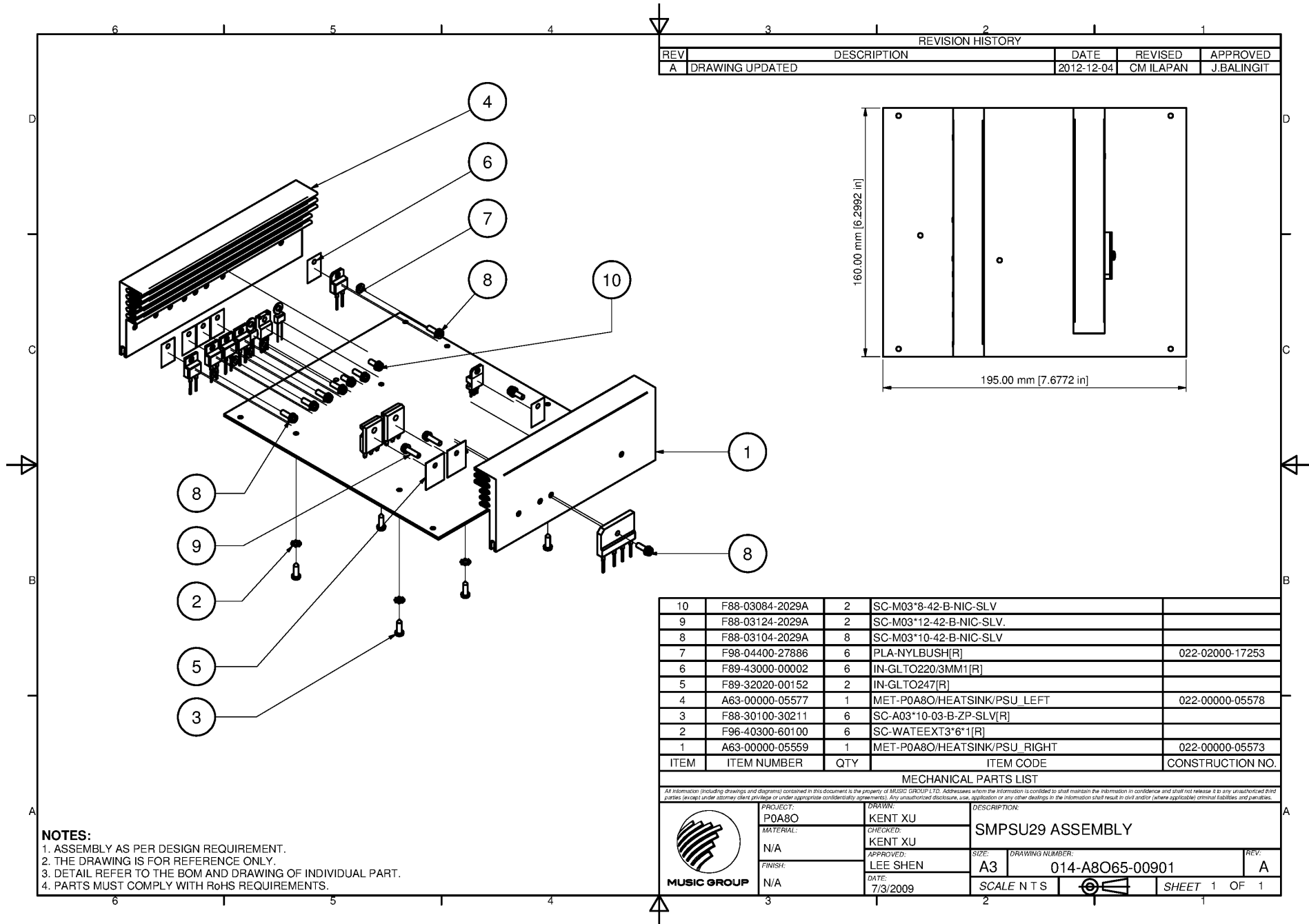
	Quantity	Unit	S.Sku	M.Sku	Description	Reference Designators	Notes
1	1.0000	PC	Y32-32430-24605	I32-92430-02704	ENCODER;12mm;DETENTS:24;PULSES:24;30mm;W/SWITCH;NO NUT/WASHER;(POLYSHINE F-12E55H24B-P+C L30FX12(O))	[POA8N:1: {1.0}(SW21)]	

Switch

	Quantity	Unit	S.Sku	M.Sku	Description	Reference Designators	Notes
1	33.0000	PC	Y77-03422-02778	I77-03422-02778	SWITCH;RADIAL;2P2T;PCB VERSION;LOCKING;NONSHORT;RAD2P	[POA8N:1: {33.0}(SW1,SW4-SW15,SW23-SW30,SW33-SW36,SW38-SW45)]	
2	10.0000	PC	Y77-03442-02780	I77-03442-02780	SWITCH;RADIAL;4P2T;PCB VERSION;LOCKING;NONSHORT;RAD4P	[POA8N:1: {10.0}(SW16-SW19,SW22,SW31-SW32,SW37,SW46-SW47)]	
3	1.0000	PC	Y77-03822-02779	I77-03822-02779	SWITCH;RADIAL;2P2T;PCB VERSION;NONLOCK;NONSHORT;RAD2P/NON	[POA8N:1: {1.0}(SW20)]	
4	1.0000	PC		I82-00001-15485	SWITCH;PUSH;1;P1;TLOCKING;SHORTING;L		
5	1.0000	PC	Y86-00023-17512	I86-00023-17512	SWITCH;SLIDE;2P3T;PCB VERSION;LOCKING;NONSHORT;SS-23E01G7	[POA8N:1: {1.0}(SW3)]	
6	1.0000	PC	Y86-00422-24607	I86-00422-24607	SWITCH;SLIDE;2P2T;PCB VERSION;LOCKING;NONSHORT;SS-22J12 G7 NS	[POA8N:1: {1.0}(SW2)]	

Transistor

	Quantity	Unit	S.Sku	M.Sku	Description	Reference Designators	Notes
1	16.0000	PC			TRANSISTOR;TO92_TAPE;PITCH:2.54;3;2SA970GR-TR		*NOT available in DP
2	16.0000	PC			TRANSISTOR;2SA970-GR;TAPING;P:2.54MM;TO92	[P0A8N:1: {16.0}(T1-T16)]	*NOT available in DP
3	2.0000	PC			TRANSISTOR;IRFP460N;TO247	[SMPSU29:00: {2.0}(T2-T3)]	*NOT available in DP
4	0.0000	PC			TRANSISTOR;IRFP32N50K;TO247AC		*NOT available in DP
5	4.0000	PC			TRANSISTOR;IRFB4227PBF;TO220	[P0A8O:00: {4.0}(T1-T2,T9-T10)]	*NOT available in DP
6	1.0000	PC			TRANSISTOR;FET;600V;SPP04N60C3;TO220	[SMPSU29:00: {1.0}(T1)]	*NOT available in DP
7	47.0000	PC			TRANSISTOR;BC846B;SOT;SMD	[PMH3000:1: {47.0}(T38-T41,T44-T59,T61-T67,T79-T98)]	*NOT available in DP
8	1.0000	PC			TRANSISTOR;BC856B;SOT;SMD	[PMH3000:1: {1.0}(T60)]	*NOT available in DP
9	18.0000	PC			TRANSISTOR;MBTA06;SOT	[PMH3000:1: {16.0}(T22-T37)]	*NOT available in DP
10	15.0000	PC			TRANSISTOR;MBTA56;SOT	[PMH3000:1: {13.0}(T42-T43,T68-T78)]	*NOT available in DP
11	1.0000	PC			TRANSISTOR;MPSA92;TO-92;TAPING	[P0A8N:1: {1.0}(T17)]	*NOT available in DP
12	3.0000	PC			TRANSISTOR;MMBT3904LT1;SOT23;SMD	[P0A8O:00: {1.0}(T11)]	*NOT available in DP
13	1.0000	PC			TRANSISTOR;MMBT3906;SOT23;SMD	[SMPSU29:00: {1.0}(T7)]	*NOT available in DP
14	2.0000	PC			TRANSISTOR;MMBT4403;SOT23	[SMPSU29:00: {2.0}(T4-T5)]	*NOT available in DP
15	1.0000	PC			TRANSISTOR;MMBT5401;SOT23	[P0A8O:00: {1.0}(T6)]	*NOT available in DP
16	1.0000	PC			TRANSISTOR;MMBT5551;SOT23	[P0A8O:00: {1.0}(T5)]	*NOT available in DP
17	4.0000	PC			TRANSISTOR;J113;TO92	[P0A8N:1: {4.0}(T18-T21)]	*NOT available in DP

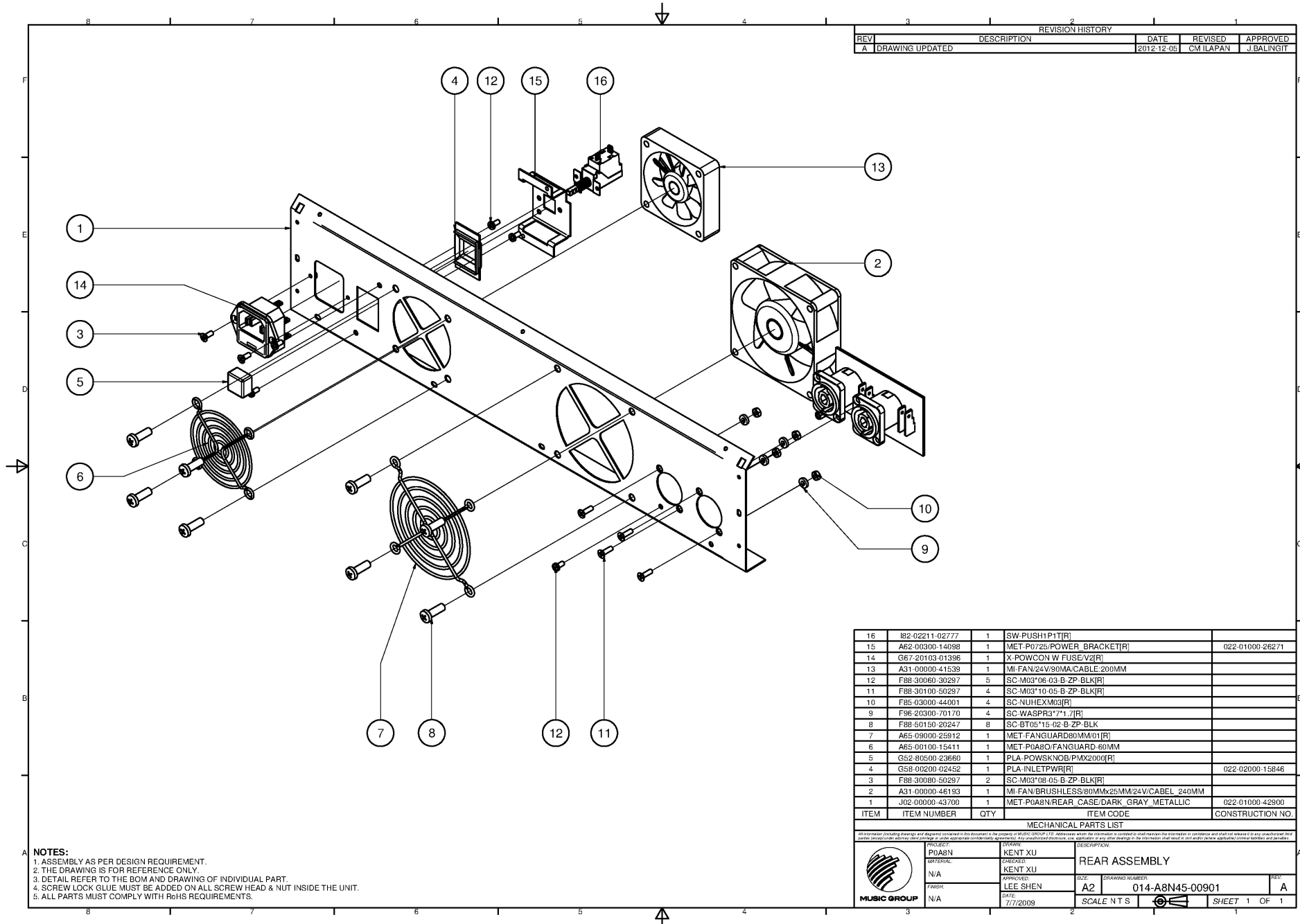


REVISION HISTORY				
REV	DESCRIPTION	DATE	REVISED	APPROVED
A	DRAWING UPDATED	2012-12-04	CM ILAPAN	J.BALINGIT

ITEM	ITEM NUMBER	QTY	ITEM CODE	CONSTRUCTION NO.
10	F88-03084-2029A	2	SC-M03*8-42-B-NIC-SLV	
9	F88-03124-2029A	2	SC-M03*12-42-B-NIC-SLV	
8	F88-03104-2029A	8	SC-M03*10-42-B-NIC-SLV	
7	F98-04400-27886	6	PLA-NYLBUSH[R]	022-02000-17253
6	F89-43000-00002	6	IN-GLTO220/3MM1[R]	
5	F89-32020-00152	2	IN-GLTO247[R]	
4	A63-00000-05577	1	MET-POA80/HEATSINK/PSU_LEFT	022-00000-05578
3	F88-30100-30211	6	SC-A03*10-03-B-ZP-SLV[R]	
2	F96-40300-60100	6	SC-WATEEXT3*6*1[R]	
1	A63-00000-05559	1	MET-POA80/HEATSINK/PSU_RIGHT	022-00000-05573

MECHANICAL PARTS LIST				
All information (including drawings and diagrams) contained in this document is the property of MUSIC GROUP LTD. Addressees whom the information is confided to shall maintain the information in confidence and shall not release it to any unauthorized third parties (except under attorney client privilege or under appropriate confidentiality agreements). Any unauthorized disclosure, use, application or any other dealings in the information shall result in civil and/or (where applicable) criminal liabilities and penalties.				
	PROJECT:	POA80	DESCRIPTION:	
	CHECKED:	KENT XU	SMPSU29 ASSEMBLY	
	MATERIAL:	N/A	SIZE:	DRAWING NUMBER:
	APPROVED:	LEE SHEN	A3	014-A8065-00901
FINISH:	N/A	DATE:	7/3/2009	REV: A
		SCALE:	N T S	SHEET 1 OF 1

- NOTES:**
1. ASSEMBLY AS PER DESIGN REQUIREMENT.
 2. THE DRAWING IS FOR REFERENCE ONLY.
 3. DETAIL REFER TO THE BOM AND DRAWING OF INDIVIDUAL PART.
 4. PARTS MUST COMPLY WITH RoHS REQUIREMENTS.



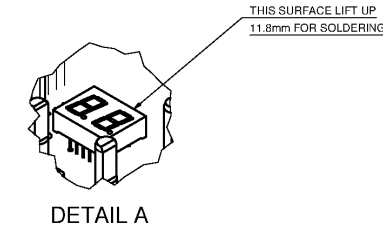
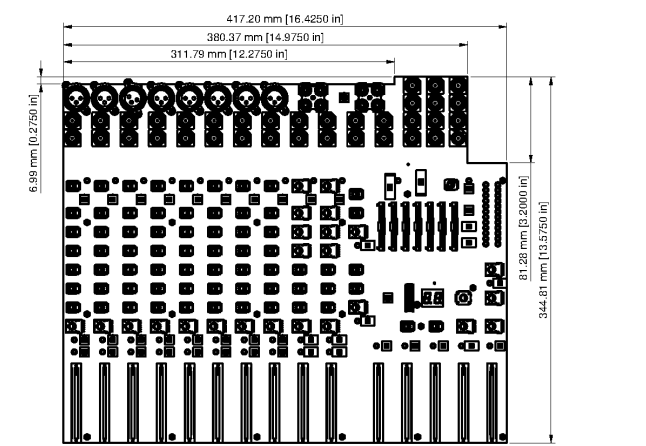
REVISION HISTORY				
REV	DESCRIPTION	DATE	REVISED	APPROVED
A	DRAWING UPDATED	2012-12-05	CM/LAPAN	J.BALINGIT

ITEM	ITEM NUMBER	QTY	ITEM CODE	CONSTRUCTION NO.
16	182-02211-02777	1	SW-PUSH1P11[R]	
15	A62-00300-14098	1	MET-P0725/POWER BRACKET[R]	022-01000-26271
14	G67-20103-01396	1	X-POWCON W FUSE[V2[R]	
13	A31-00000-41539	1	MI-FAN/24V/80MA/CABLE:200MM	
12	F88-30060-30297	5	SC-M03*06-03-B-ZP-BLK[R]	
11	F88-30100-50297	4	SC-M03*10-05-B-ZP-BLK[R]	
10	F85-03000-44901	4	SC-NUHEX/M03[R]	
9	F96-20300-70170	4	SC-WASPR37*1.7[R]	
8	F88-50150-20247	8	SC-BT05*15-02-B-ZP-BLK	
7	A65-09000-25912	1	MET-FANGUARD80MM/01[R]	
6	A65-00100-15411	1	MET-P0A8O/FANGUARD-60MM	
5	G52-80500-23660	1	PLA-POWSKNOB/PMX2000[R]	
4	G58-00200-02452	1	PLA-INLETPWR[R]	022-02000-15846
3	F88-30080-50297	2	SC-M03*08-05-B-ZP-BLK[R]	
2	A31-00000-46193	1	MI-FAN/BRUSHLESS/80MMx25MM/24V/CABEL 240MM	
1	J02-00000-43700	1	MET-P0A8N/REAR_CASE/DARK GRAY METALLIC	022-01000-42800

MECHANICAL PARTS LIST			
PROJECT:	PA8N	DRAWN:	KENT XU
DATE:		CHECKED:	KENT XU
APPROVED:	LEE SHEN	SIZE:	A2
DATE:	7/7/2009	DRAWING NUMBER:	014-A8N45-00901
		SCALE:	N T S
			SHEET 1 OF 1

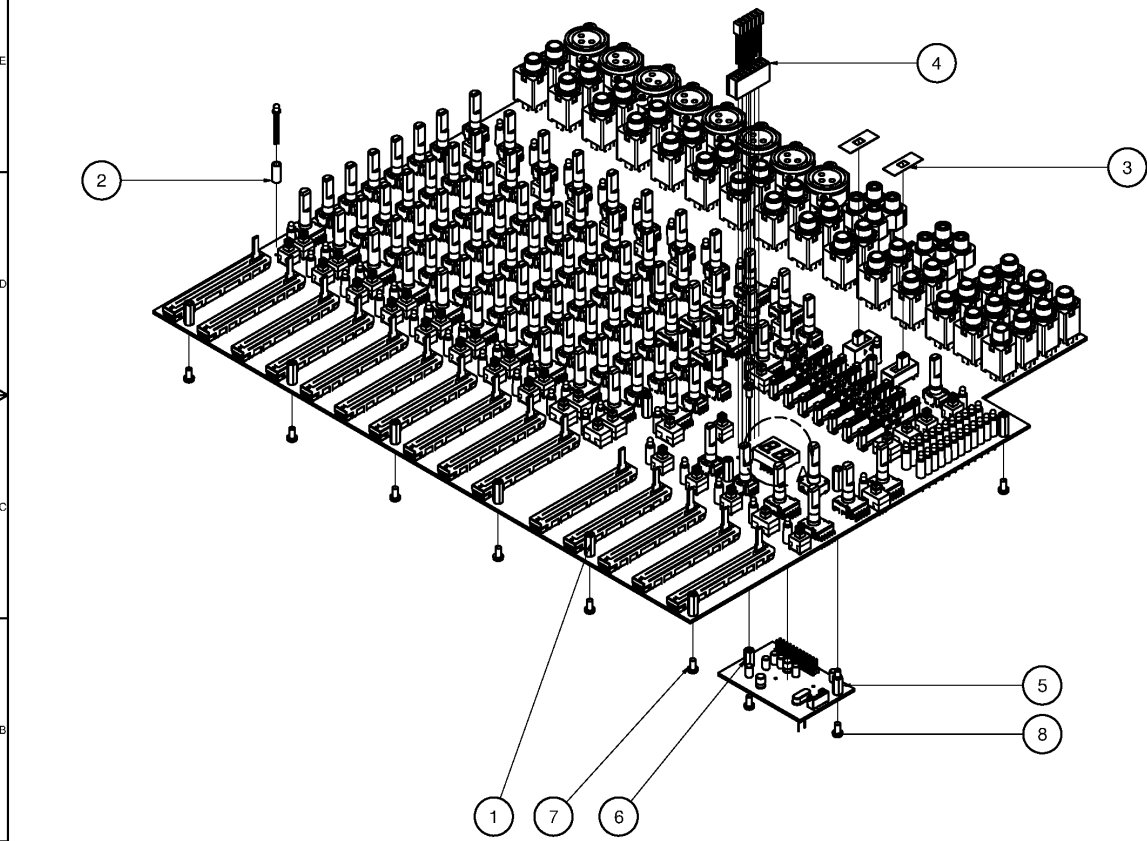
- NOTES:**
1. ASSEMBLY AS PER DESIGN REQUIREMENT.
 2. THE DRAWING IS FOR REFERENCE ONLY.
 3. DETAIL REFER TO THE BOM AND DRAWING OF INDIVIDUAL PART.
 4. SCREW LOCK GLUE MUST BE ADDED ON ALL SCREW HEAD & NUT INSIDE THE UNIT.
 5. ALL PARTS MUST COMPLY WITH RoHS REQUIREMENTS.

REVISION HISTORY				
REV	DESCRIPTION	DATE	REVISED	APPROVED
A	DRAWING UPDATED	2012-12-06	CM/LAPAN	J.BALINGIT

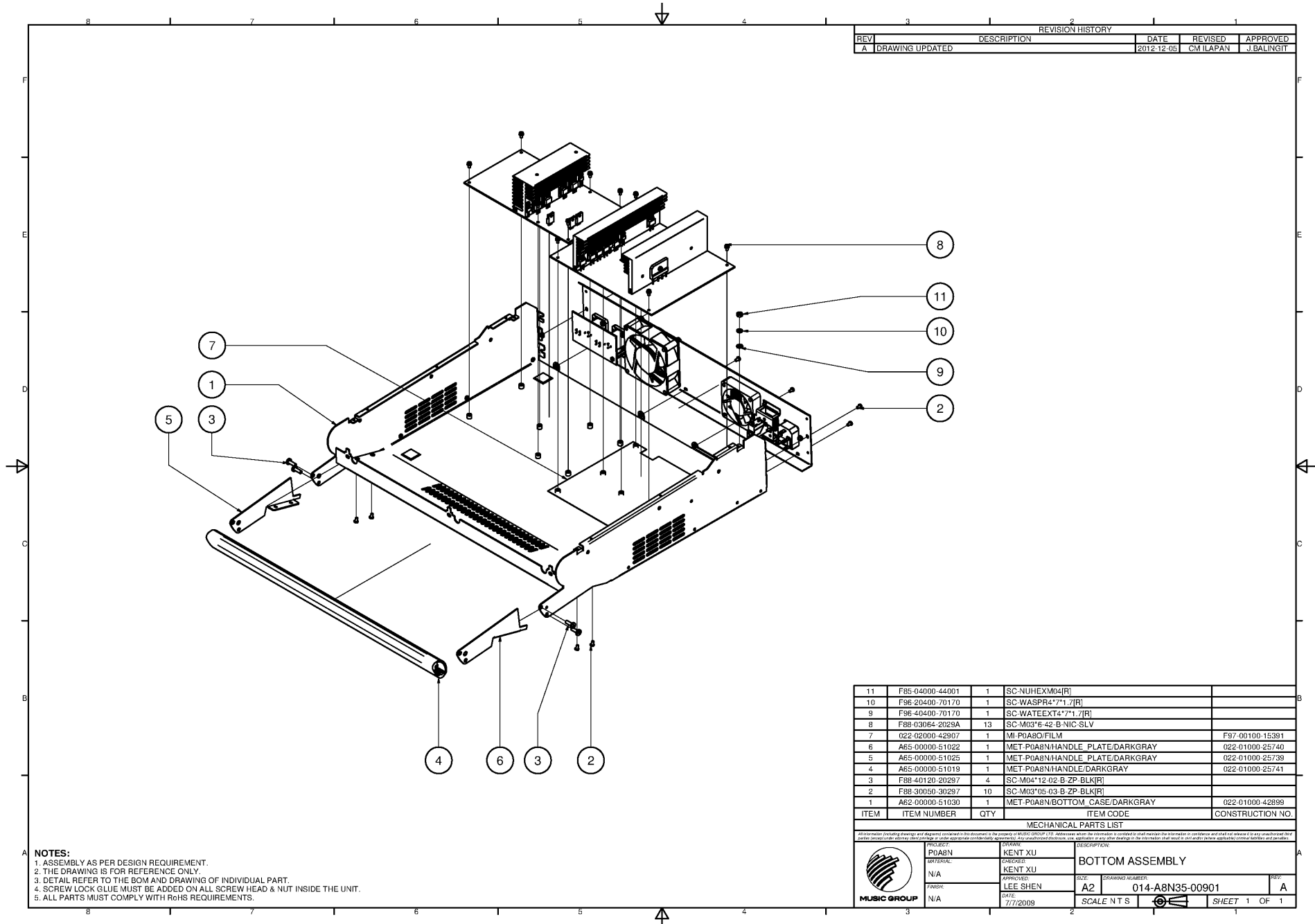


ITEM	ITEM NUMBER	QTY	ITEM CODE	CONSTRUCTION NO.
8	F88-30060-30291	3	SC-M03*06-03-B-ZP-SLV[R]	
7	F88-30060-30297	17	SC-M03*06-03-B-ZP-BLK[R]	
6	F94-30105-30000	1	MET-STUD10MM5TM3[R]	
5	F94-30105-15000	1	MET-STUD10MM5H/ETM3[R]	
4	G54-07100-01716	1	PLA-LEDBARMX1804X[R]	022-02000-00664
3	F97-32000-26356	2	PLA-PVCSHEET2[R]	022-02000-10170
2	G53-00200-11127	64	PLA-LEDSPACER[R]	022-02000-22490
1	F94-30138-30000	18	MET-STUD13MM8TM3[R]	

MECHANICAL PARTS LIST			
PROJECT: PAEN	DRAWN: KENT XU	DESCRIPTION: PCB01 ASSEMBLY	
MATERIAL: N/A	CHECKED: KENT XU	SIZE: A2	DRAWING NUMBER: 014-A8N55-00901
APPROVED: LEE SHEN	DATE: 7/6/2009	SCALE: N T S	REV: A
MUSIC GROUP		SHEET 1 OF 1	



- NOTES:**
1. ASSEMBLY AS PER DESIGN REQUIREMENT.
 2. THE DRAWING IS FOR REFERENCE ONLY.
 3. DETAIL REFER TO THE BOM AND DRAWING OF INDIVIDUAL PART.
 4. SCREW LOCK GLUE MUST BE ADDED ON ALL SCREW HEAD & NUT INSIDE THE UNIT.
 5. ALL PARTS MUST COMPLY WITH RoHS REQUIREMENTS.

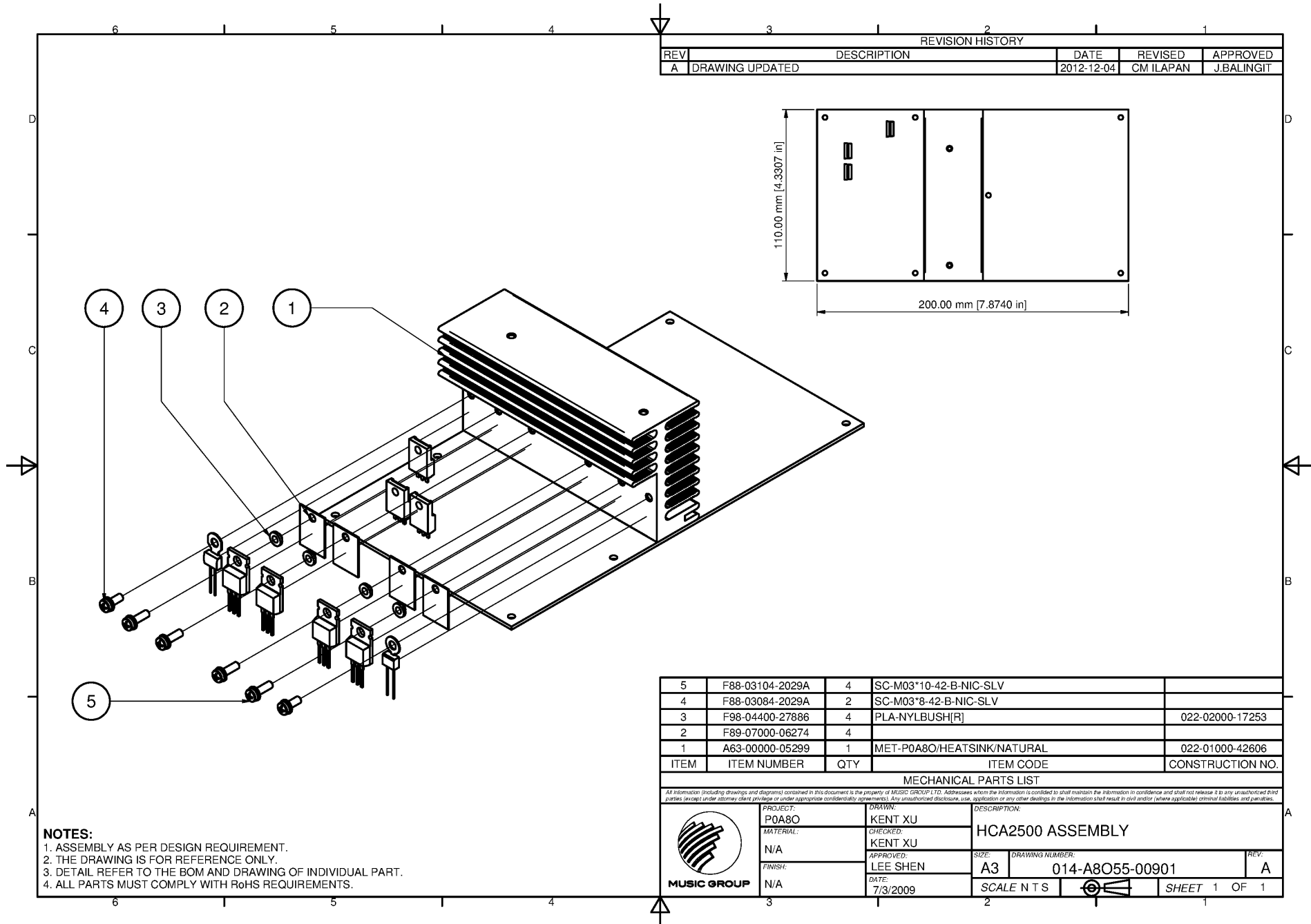


REVISION HISTORY				
REV	DESCRIPTION	DATE	REVISED	APPROVED
A	DRAWING UPDATED	2012-12-05	CM/LAPAN	J.BALINGIT

ITEM	ITEM NUMBER	QTY	ITEM CODE	CONSTRUCTION NO.
11	F85-04000-44001	1	SC-NUHEXM04[R]	
10	F96-20400-70170	1	SC-WASPR4*7*1.7[R]	
9	F96-40400-70170	1	SC-WATEEXT4*7*1.7[R]	
8	F88-03064-2029A	13	SC-M03*6-42-B-NIC-SLV	
7	022-02000-42807	1	MI-P0A80/FILM	F97-00100-15391
6	A65-00000-51022	1	MET-P0A8N/HANDLE_PLATE/DARKGRAY	022-01000-25740
5	A65-00000-51025	1	MET-P0A8N/HANDLE_PLATE/DARKGRAY	022-01000-25739
4	A65-00000-51019	1	MET-P0A8N/HANDLE/DARKGRAY	022-01000-25741
3	F88-40120-20297	4	SC-M04*12-02-B-ZP-BLK[R]	
2	F88-30050-30297	10	SC-M03*05-03-B-ZP-BLK[R]	
1	A62-00000-51030	1	MET-P0A8N/BOTTOM_CASE/DARKGRAY	022-01000-42899

MECHANICAL PARTS LIST			
PROJECT	DESIGNER	DESCRIPTION	
P0A8N	KENT XU	BOTTOM ASSEMBLY	
DRAWN	KENT XU	SIZE	DRAWING NUMBER
CHECKED	KENT XU	A2	014-A8N35-00901
APPROVED	LEE SHEN	SCALE	N T S
DATE	7/7/2009	SHEET 1 OF 1	

- NOTES:**
1. ASSEMBLY AS PER DESIGN REQUIREMENT.
 2. THE DRAWING IS FOR REFERENCE ONLY.
 3. DETAIL REFER TO THE BOM AND DRAWING OF INDIVIDUAL PART.
 4. SCREW LOCK GLUE MUST BE ADDED ON ALL SCREW HEAD & NUT INSIDE THE UNIT.
 5. ALL PARTS MUST COMPLY WITH RoHS REQUIREMENTS.



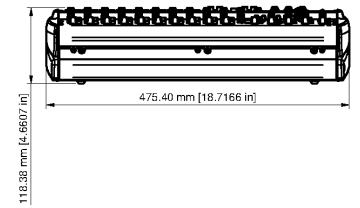
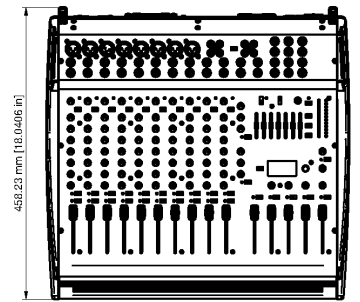
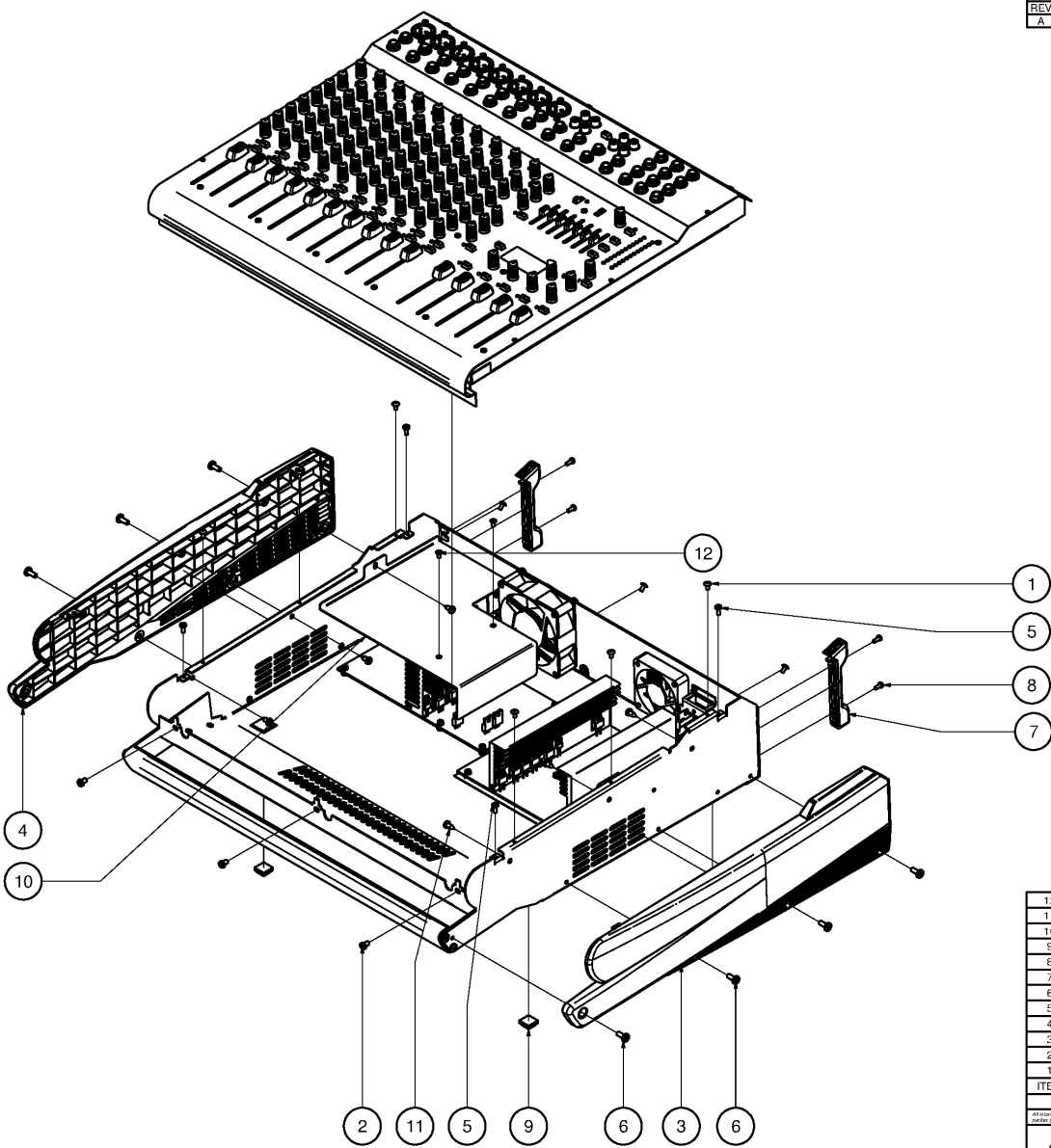
REVISION HISTORY				
REV	DESCRIPTION	DATE	REVISED	APPROVED
A	DRAWING UPDATED	2012-12-04	CM ILAPAN	J.BALINGIT

ITEM	ITEM NUMBER	QTY	ITEM CODE	CONSTRUCTION NO.
5	F88-03104-2029A	4	SC-M03*10-42-B-NIC-SLV	
4	F88-03084-2029A	2	SC-M03*8-42-B-NIC-SLV	
3	F98-04400-27886	4	PLA-NYLBUSH[R]	022-02000-17253
2	F89-07000-06274	4		
1	A63-00000-05299	1	MET-POA8O/HEATSINK/NATURAL	022-01000-42606

MECHANICAL PARTS LIST					
All information (including drawings and diagrams) contained in this document is the property of MUSIC GROUP LTD. Addressees whom the information is confided to shall maintain the information in confidence and shall not release it to any unauthorized third parties (except) under attorney client privilege or under appropriate confidentiality agreements. Any unauthorized disclosure, use, application or any other dealings in the information shall result in civil and/or (where applicable) criminal liabilities and penalties.					
	PROJECT:	POA8O	DRAWING: KENT XU		
	MATERIAL:	N/A	CHECKED: KENT XU		
	FINISH:	N/A	APPROVED:	LEE SHEN	DESCRIPTION: HCA2500 ASSEMBLY
	DATE:	7/3/2009	SCALE:	N T S	SIZE: A3
			DRAWING NUMBER:	014-A8055-00901	
			REV:	A	
			SHEET	1 OF 1	

- NOTES:**
- ASSEMBLY AS PER DESIGN REQUIREMENT.
 - THE DRAWING IS FOR REFERENCE ONLY.
 - DETAIL REFER TO THE BOM AND DRAWING OF INDIVIDUAL PART.
 - ALL PARTS MUST COMPLY WITH RoHS REQUIREMENTS.

REVISION HISTORY				
REV	DESCRIPTION	DATE	REVISED	APPROVED
A	DRAWING UPDATED	2012-12-06	CM/LAPAN	J.BALINGIT

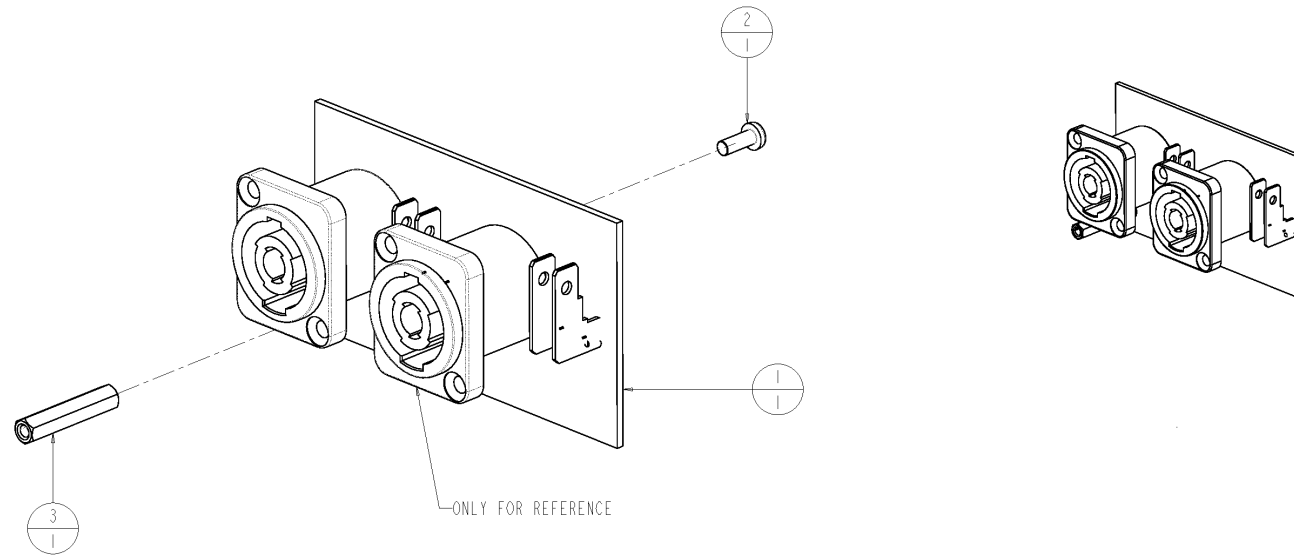


- NOTES:**
1. ASSEMBLY AS PER DESIGN REQUIREMENT.
 2. THE DRAWING IS FOR REFERENCE ONLY.
 3. DETAIL REFER TO THE BOM AND DRAWING OF INDIVIDUAL PART.
 4. SCREW LOCK GLUE MUST BE ADDED ON ALL SCREW HEAD & NUT INSIDE THE UNIT.
 5. ALL PARTS MUST COMPLY WITH RoHS REQUIREMENTS.

ITEM	ITEM NUMBER	QTY	ITEM CODE	CONSTRUCTION NO.
12	F88-30060-50291	2	SC-M03*06-05-B-ZP-SLV[R]	
11	F99-40007-15333	6	SC-A04*10-03-B-ZP-BLK[R]	
10	A65-00000-05295	1	MET-POA8N/AMP SHIELD	022-00000-05297
9	G51-01200-01762	4	PLA-PLAFOOT	022-00000-19373
8	F88-30070-30297	4	SC-M03*07-03-B-ZP-BLK[R]	
7	G58-00200-00225	2	PLA-PMX3000/BACKFOOTPAD[R]	022-02000-24108
6	F88-40100-20297	8	SC-M04*10-02-B-ZP-BLK[R]	
5	F88-30080-20297	4	SC-M03*08-02-B-ZP-BLK[R]	
4	G56-00500-02932	1	PLA-PMX3000/SIDEPANEL_LEFT[R]	022-02000-24110
3	G56-00600-02933	1	PLA-PMX3000/SIDEPANEL_RIGHT[R]	022-02000-25733
2	F88-40060-30297	3	SC-M04*06-03-B-ZP-BLK[R]	
1	F88-30060-40297	9	SC-M03*06-04-B-ZP-BLK[R]	

MECHANICAL PARTS LIST			
PROJECT	DESIGNER	DESCRIPTION	
POA8N	KENT XU	MAIN ASSEMBLY	
CHECKED:	KENT XU	SIZE:	DRAWING NUMBER:
N/A		A2	014-A8N15-00901
APPROVED:	LEE SHEN	DATE:	
N/A		7/6/2009	
MUSIC GROUP		SCALE:	SHEET 1 OF 1
		N T S	

REVISION HISTORY					
REV	EC/ECN	DESCRIPTION	DATE	REVISED	APPROVED
A		DRAWING RELEASED		KENT XU	



**RELEASED
FOR PRODUCTION**

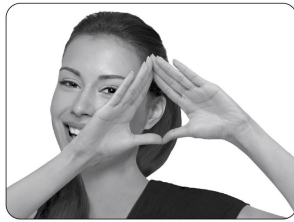
NOTE: UNLESS OTHERWISE SPECIFIED

1. ASSEMBLY AS PER DESIGN REQUIREMENT.
2. THE DRAWING IS FOR REFERENCE ONLY.
3. DETAIL REFER TO THE BOM AND DRAWING OF INDIVIDUAL PART.
4. SCREW LOCK GLUE MUST BE ADDED ON ALL SCREW HEAD & NUT INSIDE THE UNIT.
5. ALL PARTS MUST COMPLY WITH RoHS REQUIREMENTS.

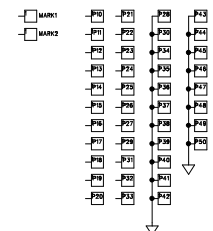
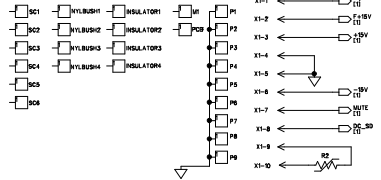
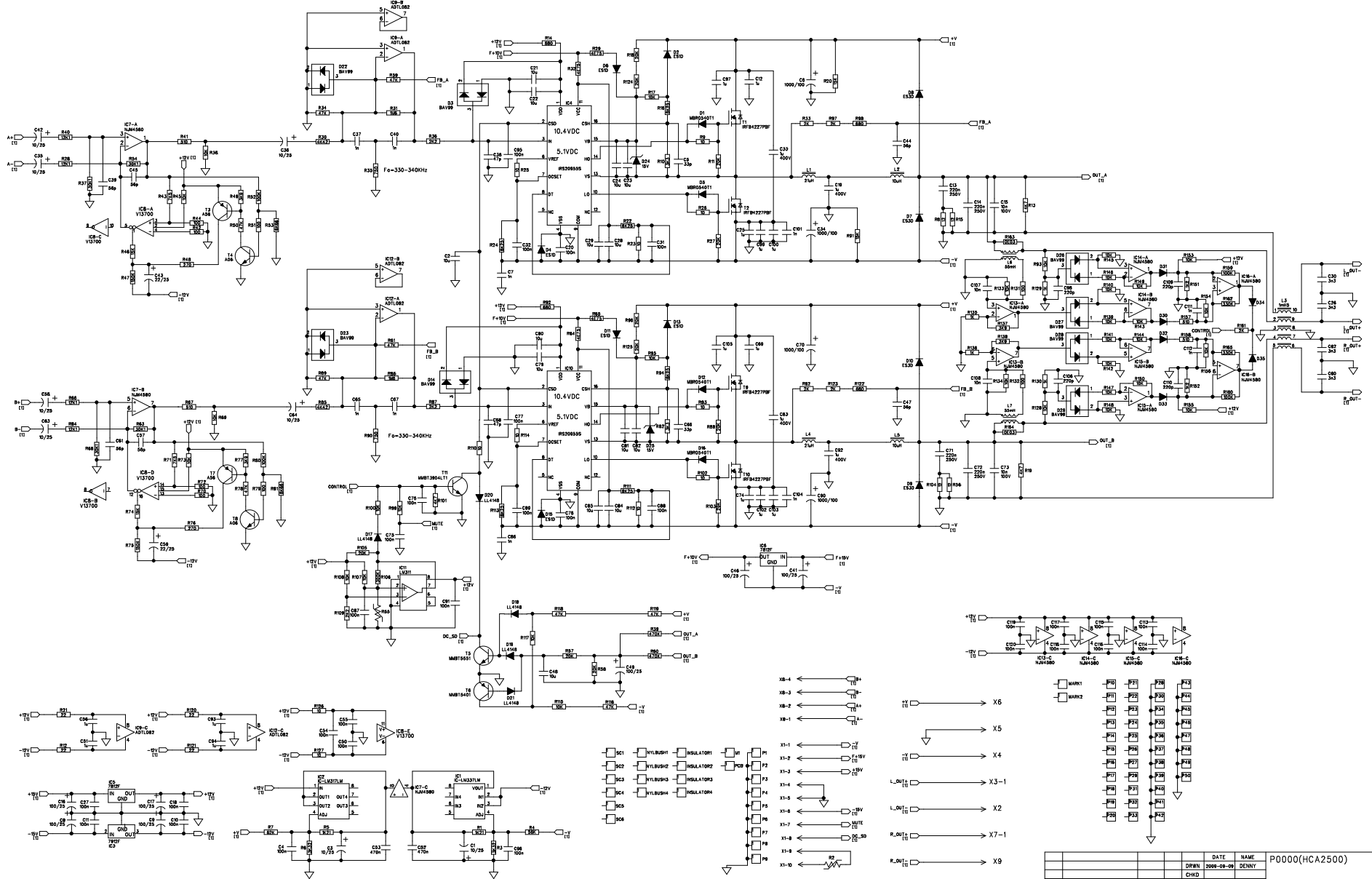
6. BALLOON MEANING: $\begin{matrix} A \\ \hline B \end{matrix}$ A: ITEM
B: QUANTITY

ITEM	ITEM NUMBER	QTY	ITEM CODE	CONSTRUCTION NUMBER	REMARKS
3	F94-30242-30000	1	MET-STUD2MM2TM3[R]		
2	F88-30080-3029T	1	SC-N03*08-03-B-ZP-BLK[R]		
1	A05-56506-102TT	1	PCBA-PMH/OUTPUT/P0565/B/HIER		

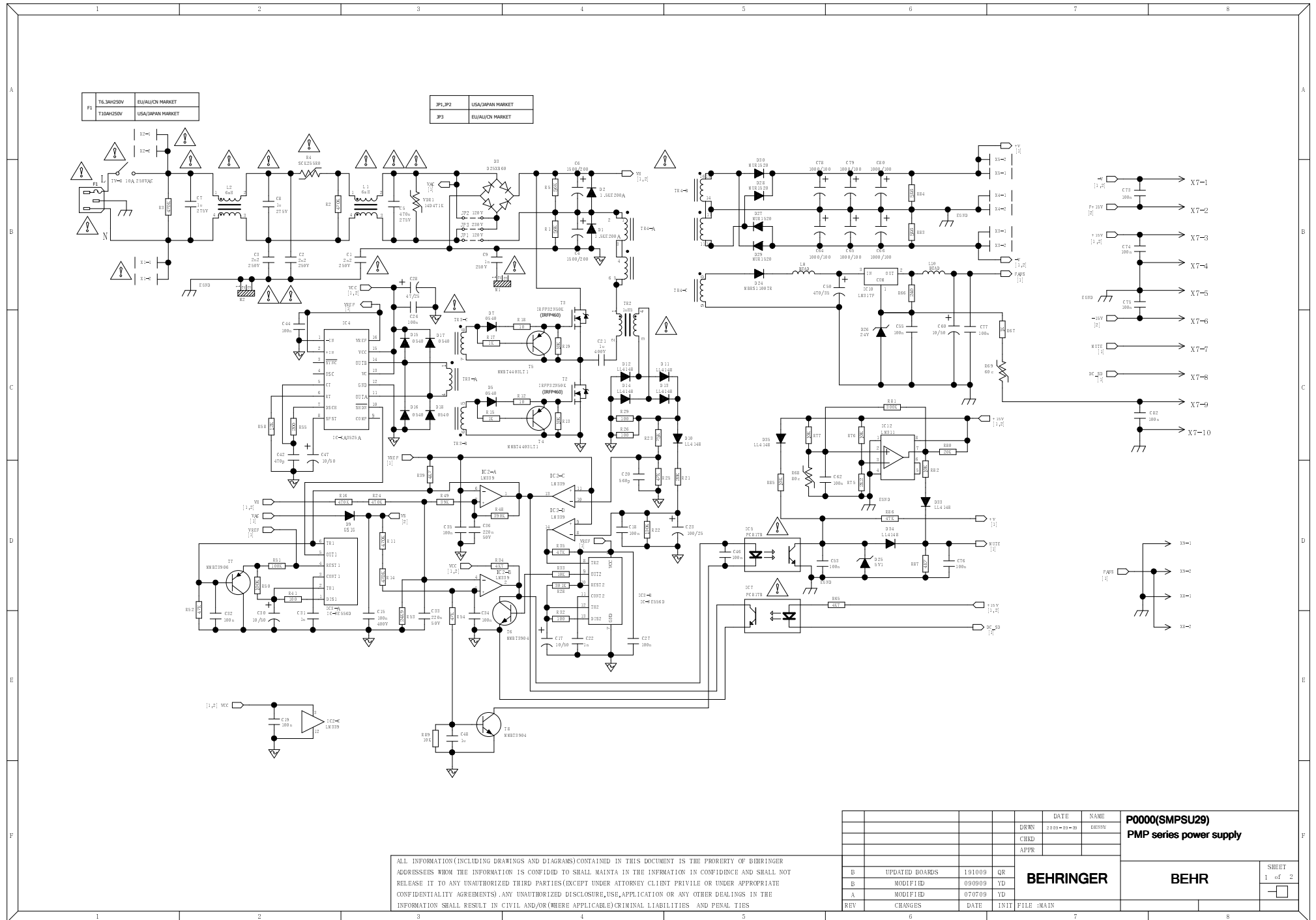
PROJECT / MODEL: P0565		COMMENTS: DRA-ASSEMBLY/PMX3000/SET-V1		BEHRINGER <small>All information (including drawings and diagrams) contained in this document is the property of BEHRINGER. Reproduction of this information is prohibited without the prior written consent of BEHRINGER. BEHRINGER shall not be held liable for any damages or losses arising from the use of this information. The user shall be responsible for the safety of the information and the use of the information. BEHRINGER shall not be held liable for any damages or losses arising from the use of this information.</small>	
LAYER IN BOM: A04-56500-102T6		FILENAME: P0565_OUTPCB_ASM_EXP			
DRAWN YANG XIA 2005-09-06	CHECKED CW.WONG 2005-09-06	APPROVED CW.WONG 2005-09-06	SIZE A2	CONSTRUCTION NO. 014-22963-62001	ITEM NO. A
			SCALE	UNIT	SHEET 1 OF 1



We Hear You

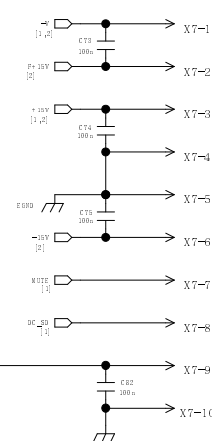


DATE		NAME		P0000(HCA2500)	
DRWN	2009-09-09	DR	DENNY		
CHKD		APPV			
C	MODIFIED	201009	YD		
B	UPDATED BOARDS	191009	QR		
S	MODIFIED	090909	YD		
A	MODIFIED	010708	YD		
REV	CHANGES	DATE	INT	FILE	: AMP



F1	T6:3AHS50V	EU/JAPAN MARKET
	T10AH250V	USA/JAPAN MARKET

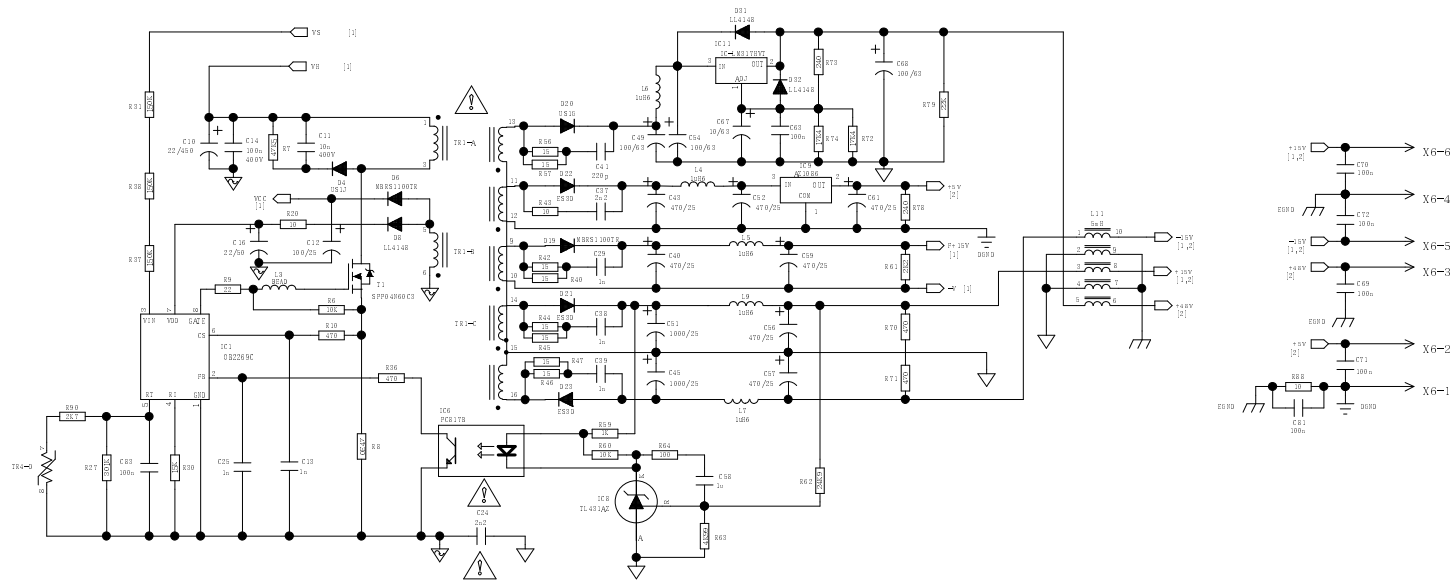
3P1_3P2	USA/JAPAN MARKET
3P3	EU/JAPAN MARKET



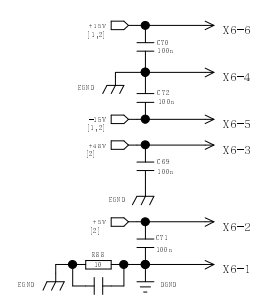
ALL INFORMATION (INCLUDING DRAWINGS AND DIAGRAMS) CONTAINED IN THIS DOCUMENT IS THE PROPERTY OF BEHRINGER ADDRESSEES WHOM THE INFORMATION IS CONFIDED TO SHALL MAINTAIN THE INFORMATION IN CONFIDENCE AND SHALL NOT RELEASE IT TO ANY UNAUTHORIZED THIRD PARTIES (EXCEPT UNDER ATTORNEY CLIENT PRIVILEGE OR UNDER APPROPRIATE CONFIDENTIALITY AGREEMENTS). ANY UNAUTHORIZED DISCLOSURE, USE, APPLICATION OR ANY OTHER DEALINGS IN THE INFORMATION SHALL RESULT IN CIVIL AND/OR (WHERE APPLICABLE) CRIMINAL LIABILITIES AND PENAL TIES

				DATE	NAME	P0000(SMPSU29) PMP series power supply
			DRWN	2009-10-20	GERH9	
			CHKD			
			APPR			
B	UPDATED BOARDS	191009	QR	BEHRINGER		BEHR
B	MODIFIED	090909	YD			
A	MODIFIED	070709	YD			
REV	CHANGES	DATE	INIT	FILE :MAIN		

SHEET
1 of 2



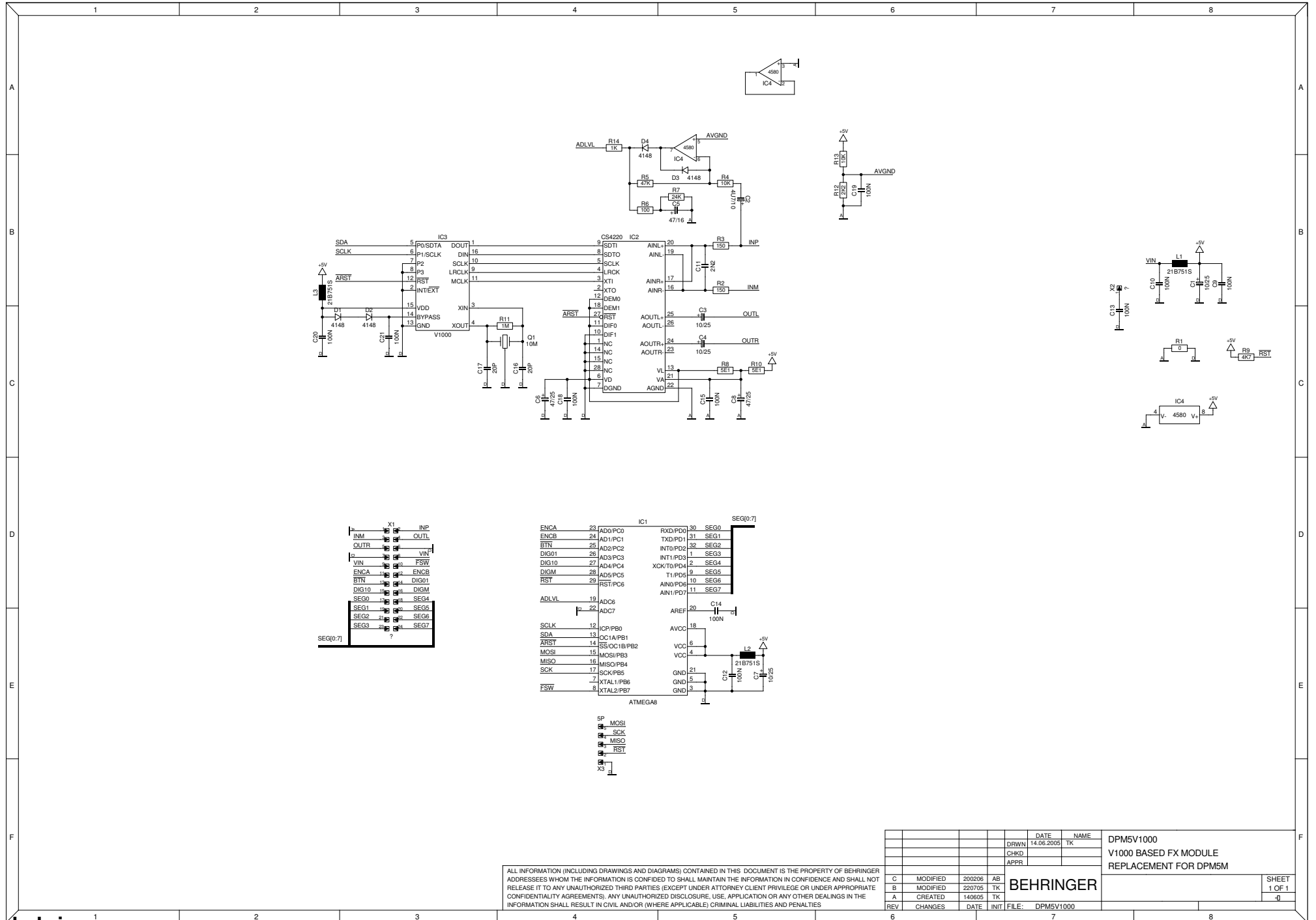
- SC1
- SC2
- SC3
- SC4
- SC5
- SC6
- SC7
- SC8
- SC9
- SC10
- SC11
- SC12
- SC13
- SC14
- SC15
- SC16
- SC17
- SC18
- SC19
- SC20
- SC21
- SC22
- SC23
- SC24
- SC25
- SC26
- SC27
- SC28
- SC29
- SC30
- SC31
- SC32
- SC33
- SC34
- SC35
- SC36
- SC37
- SC38
- SC39
- SC40
- SC41
- SC42
- SC43
- SC44
- SC45
- SC46
- SC47
- SC48
- SC49
- SC50
- SC51
- SC52
- SC53
- SC54
- SC55
- SC56
- SC57
- SC58
- SC59
- SC60
- SC61
- SC62
- SC63
- SC64
- SC65
- SC66
- SC67
- SC68
- SC69
- SC70
- SC71
- SC72
- SC73
- SC74
- SC75
- SC76
- SC77
- SC78
- SC79
- SC80
- SC81
- SC82
- SC83
- SC84
- SC85
- SC86
- SC87
- SC88
- SC89
- SC90
- SC91
- SC92
- SC93
- SC94
- SC95
- SC96
- SC97
- SC98
- SC99
- SC100



ALL INFORMATION (INCLUDING DRAWINGS AND DIAGRAMS) CONTAINED IN THIS DOCUMENT IS THE PROPERTY OF BEHRINGER ADDRESSEES WHOM THE INFORMATION IS CONFIDED TO SHALL MAINTAIN THE INFORMATION IN CONFIDENCE AND SHALL NOT RELEASE IT TO ANY UNAUTHORIZED THIRD PARTIES (EXCEPT UNDER ATTORNEY CLIENT PRIVILEGE OR UNDER APPROPRIATE CONFIDENTIALITY AGREEMENTS). ANY UNAUTHORIZED DISCLOSURE, USE, APPLICATION OR ANY OTHER DEALINGS IN THE INFORMATION SHALL RESULT IN CIVIL AND/OR (WHERE APPLICABLE) CRIMINAL LIABILITIES AND PENAL TIES

				DATE	NAME	P0000(SMPSU29) PMP series power supply
			DRWN	2009-10-19	BEHRER	
			CHKD			
				APPR		
B	UPDATED BOARDS	191009	QR	BEHRINGER		BEHR
B	MODIFIED	090909	YD			
A	MODIFIED	070709	YD			
REV	CHANGES	DATE	INIT	FILE :AUX		

SHEET
2 of 2

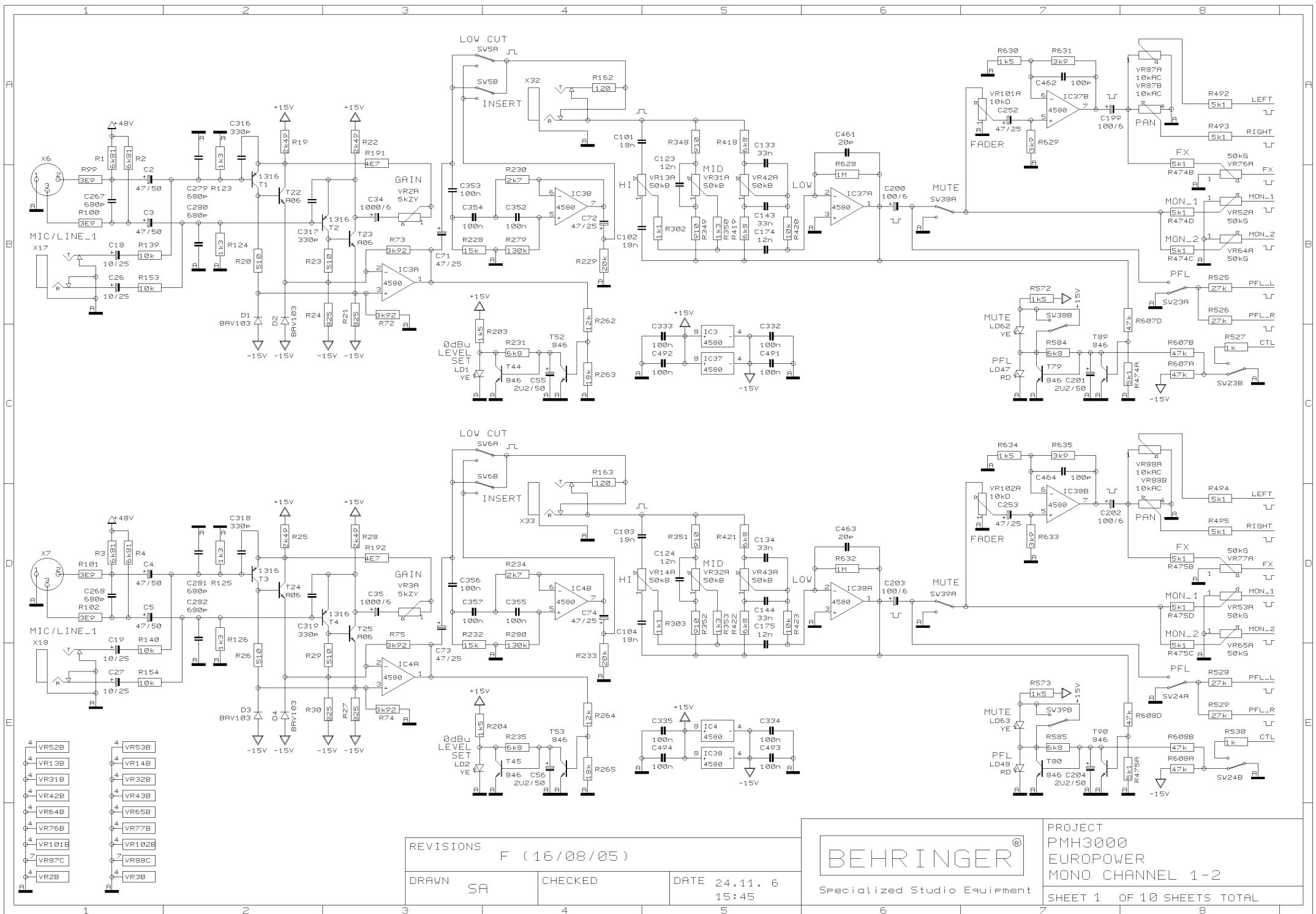


ALL INFORMATION (INCLUDING DRAWINGS AND DIAGRAMS) CONTAINED IN THIS DOCUMENT IS THE PROPERTY OF BEHRINGER ADDRESSEES WHOM THE INFORMATION IS CONFIDED TO SHALL MAINTAIN THE INFORMATION IN CONFIDENCE AND SHALL NOT RELEASE IT TO ANY UNAUTHORIZED THIRD PARTIES (EXCEPT UNDER ATTORNEY CLIENT PRIVILEGE OR UNDER APPROPRIATE CONFIDENTIALITY AGREEMENTS). ANY UNAUTHORIZED DISCLOSURE, USE, APPLICATION OR ANY OTHER DEALINGS IN THE INFORMATION SHALL RESULT IN CIVIL AND/OR (WHERE APPLICABLE) CRIMINAL LIABILITIES AND PENALTIES

REV	CHANGES	DATE	INIT	FILE:	DATE	NAME	
C	MODIFIED	200206	AB		14.06.2005	TK	DPMSV1000
B	MODIFIED	220705	TK				V1000 BASED FX MODULE
A	CREATED	140605	TK				REPLACEMENT FOR DPMS5M

BEHRINGER

SHEET 1 OF 1

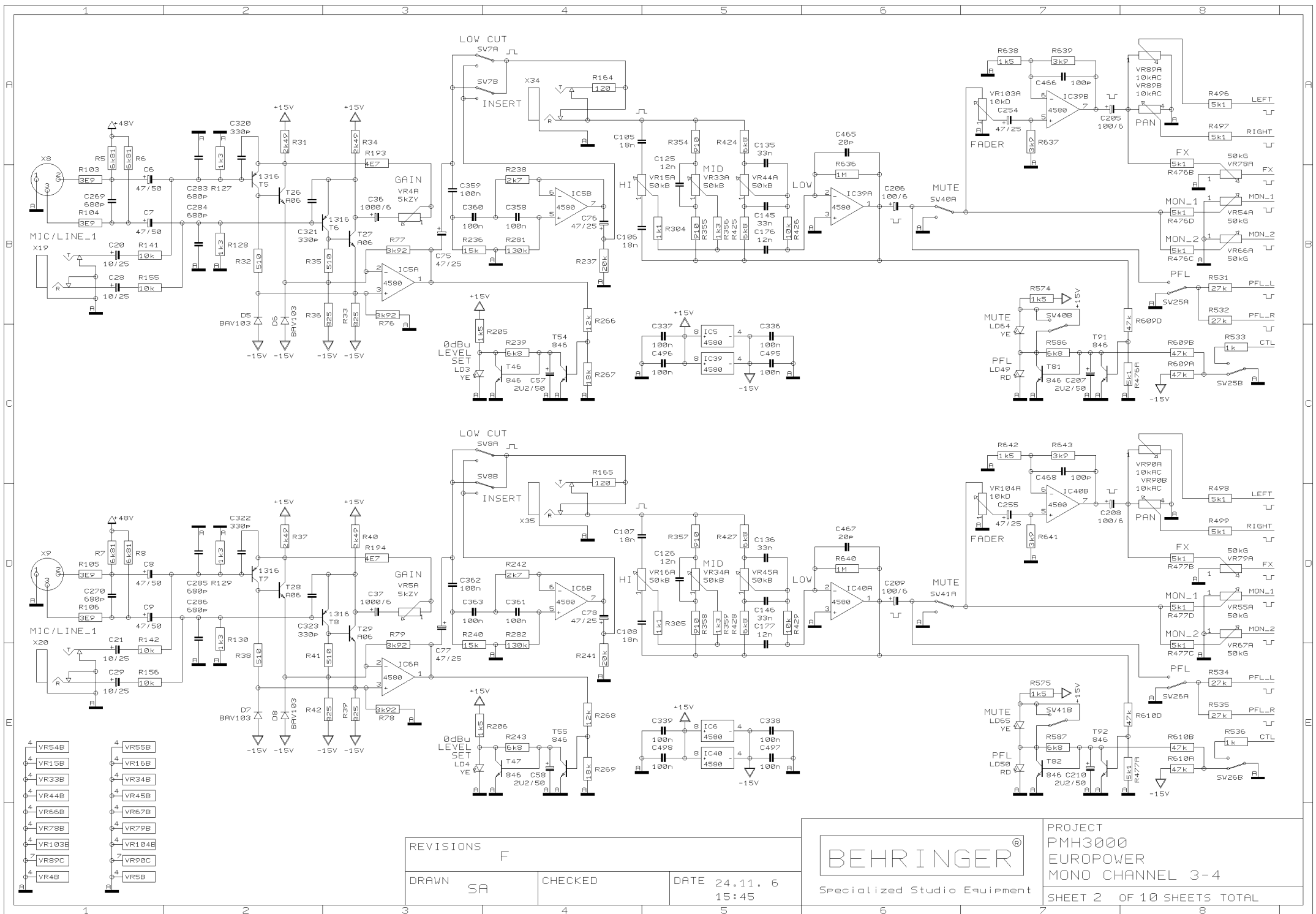


REVISIONS F (16/08/05)

DRAWN SA CHECKED DATE 24.11. 6 15:45



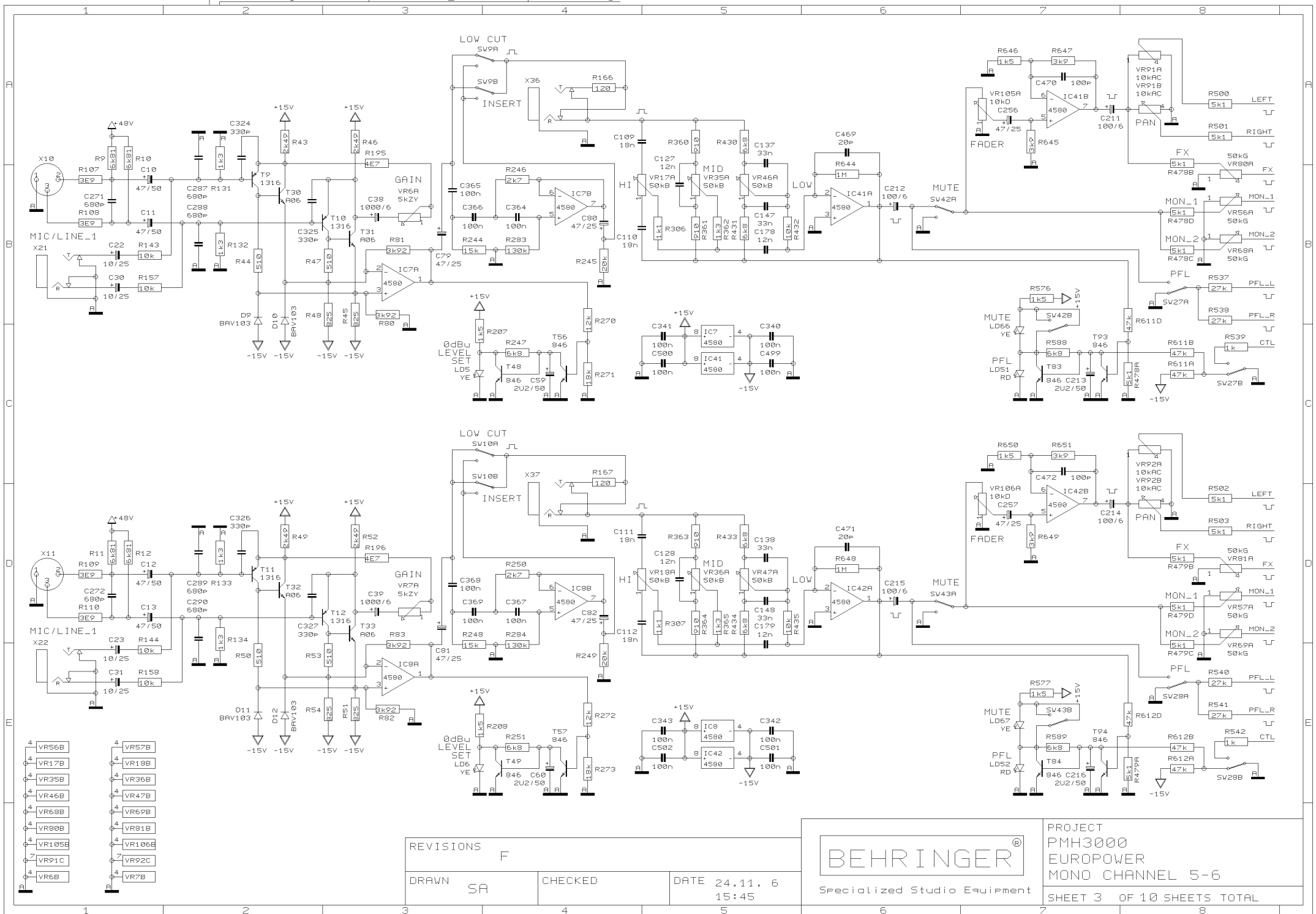
PROJECT PMH3000 EUROPOWER MONO CHANNEL 1-2 SHEET 1 OF 10 SHEETS TOTAL



REVISIONS		F	
DRAWN	SA	CHECKED	
DATE		24.11. 6	
		15:45	



PROJECT
 PMH3000
 EUROPOWER
 MONO CHANNEL 3-4
 SHEET 2 OF 10 SHEETS TOTAL



REVISIONS F

DRAWN SA

CHECKED

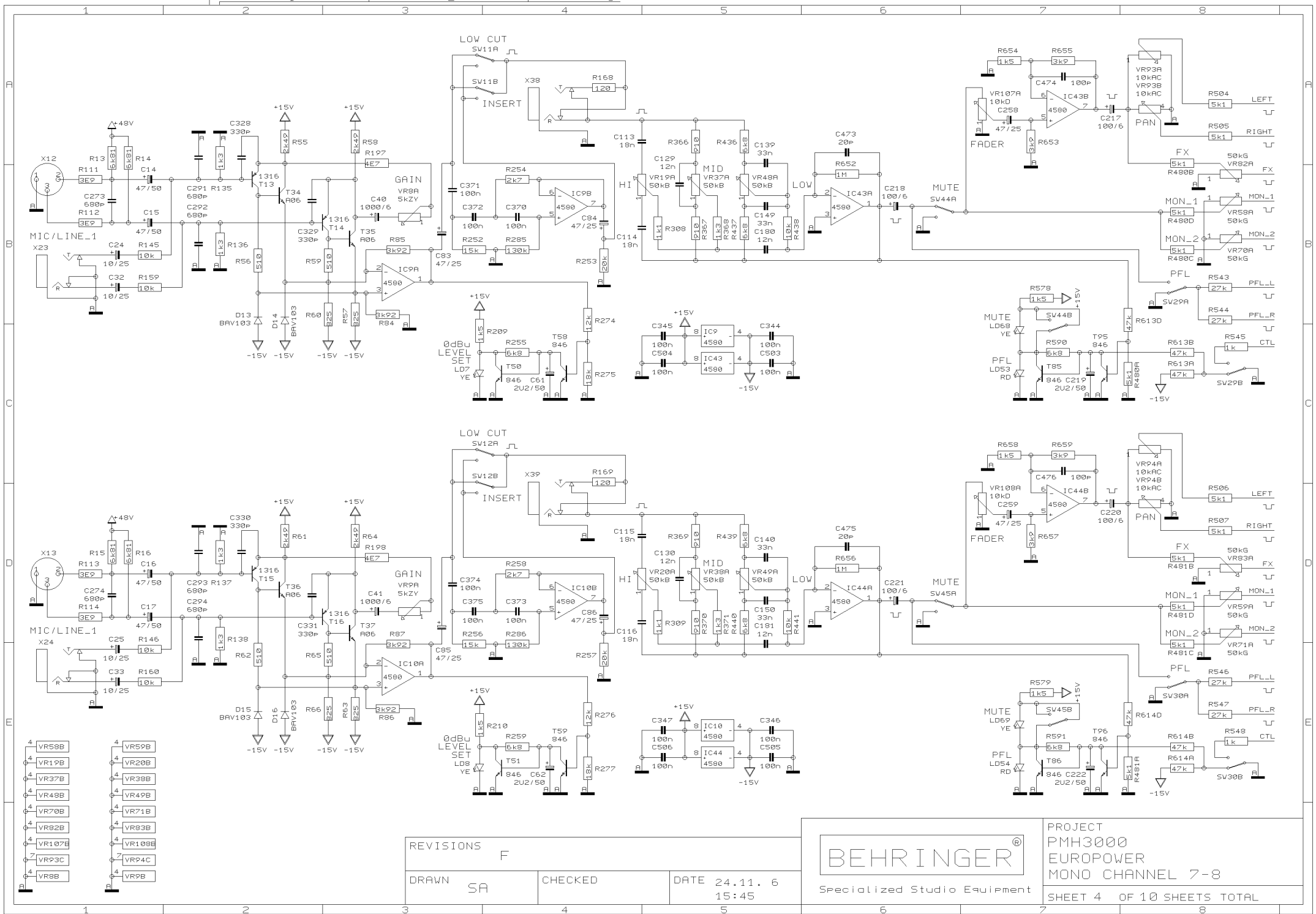
DATE 24.11. 6
15:45



Specialized Studio Equipment

PROJECT
PMH3000
EUROPOWER
MONO CHANNEL 5-6

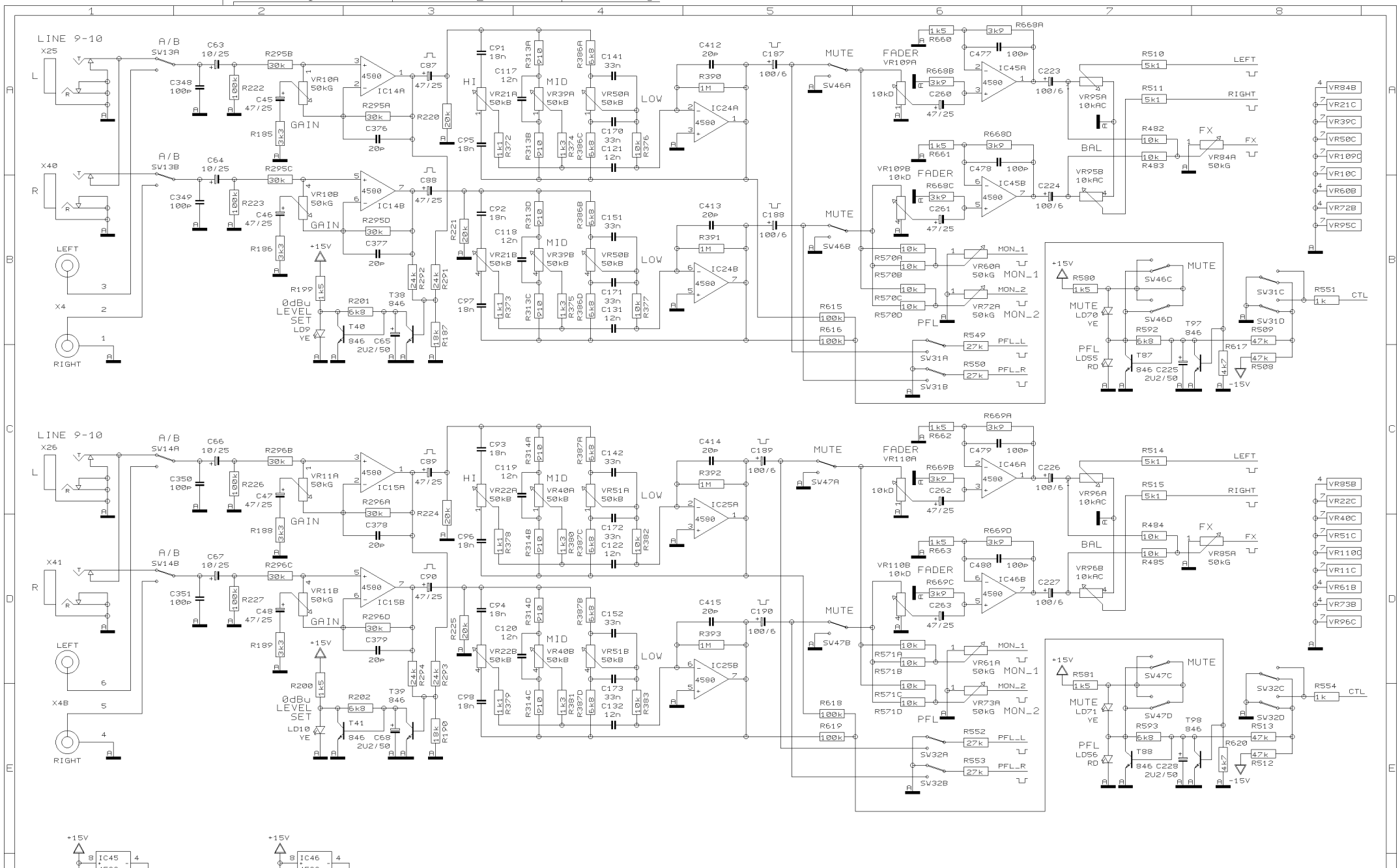
SHEET 3 OF 10 SHEETS TOTAL



REVISIONS	F		
DRAWN	SA	CHECKED	DATE 24.11. 6 15:45



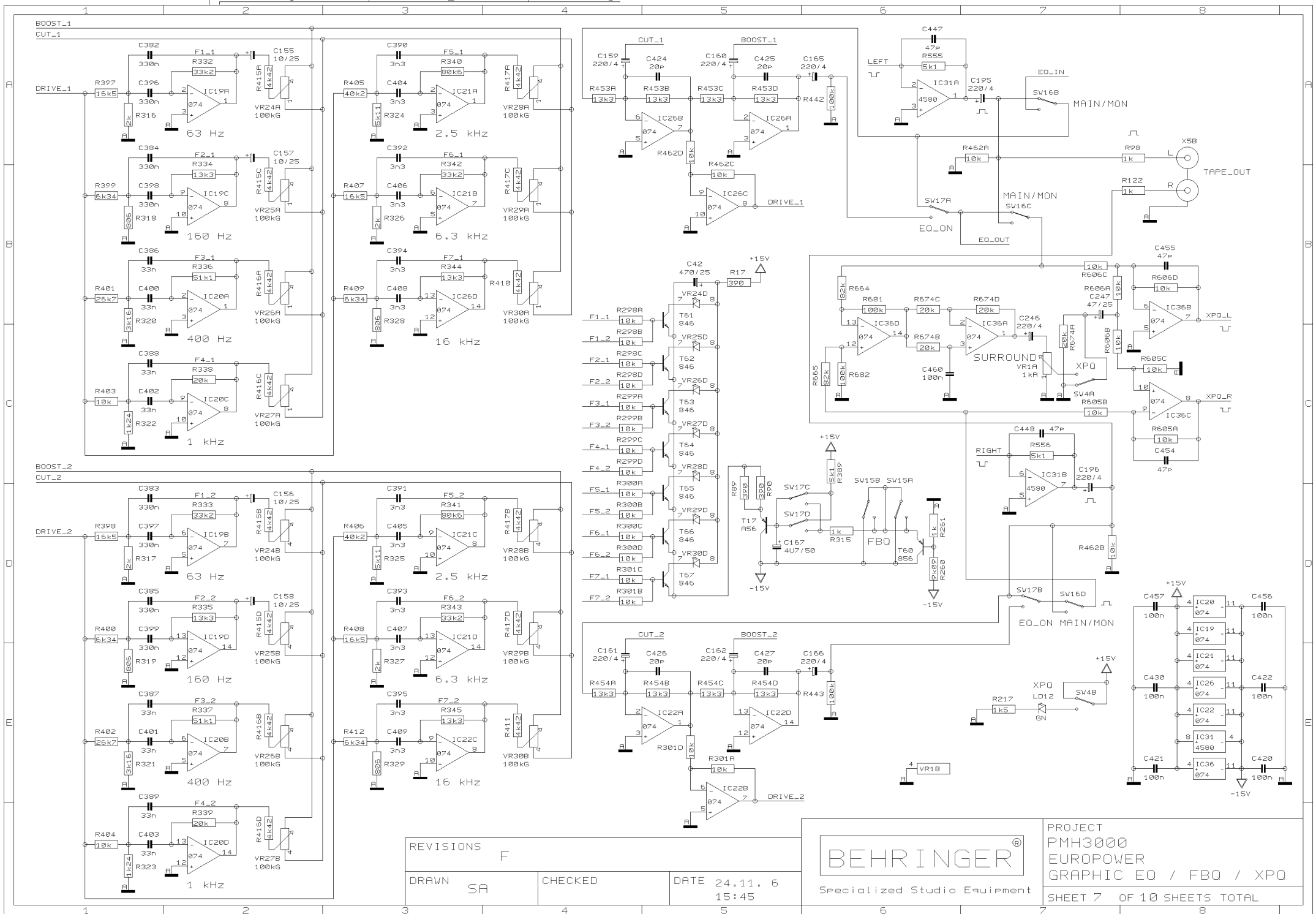
PROJECT
PMH3000
EUROPOWER
MONO CHANNEL 7-8
SHEET 4 OF 10 SHEETS TOTAL



REVISIONS		
F		
DRAWN	CHECKED	DATE
SA		24.11. 6
		15:45



PROJECT
PMH3000
EUROPOWER
STEREO CHANNEL 9-12
SHEET 5 OF 10 SHEETS TOTAL



REVISIONS F

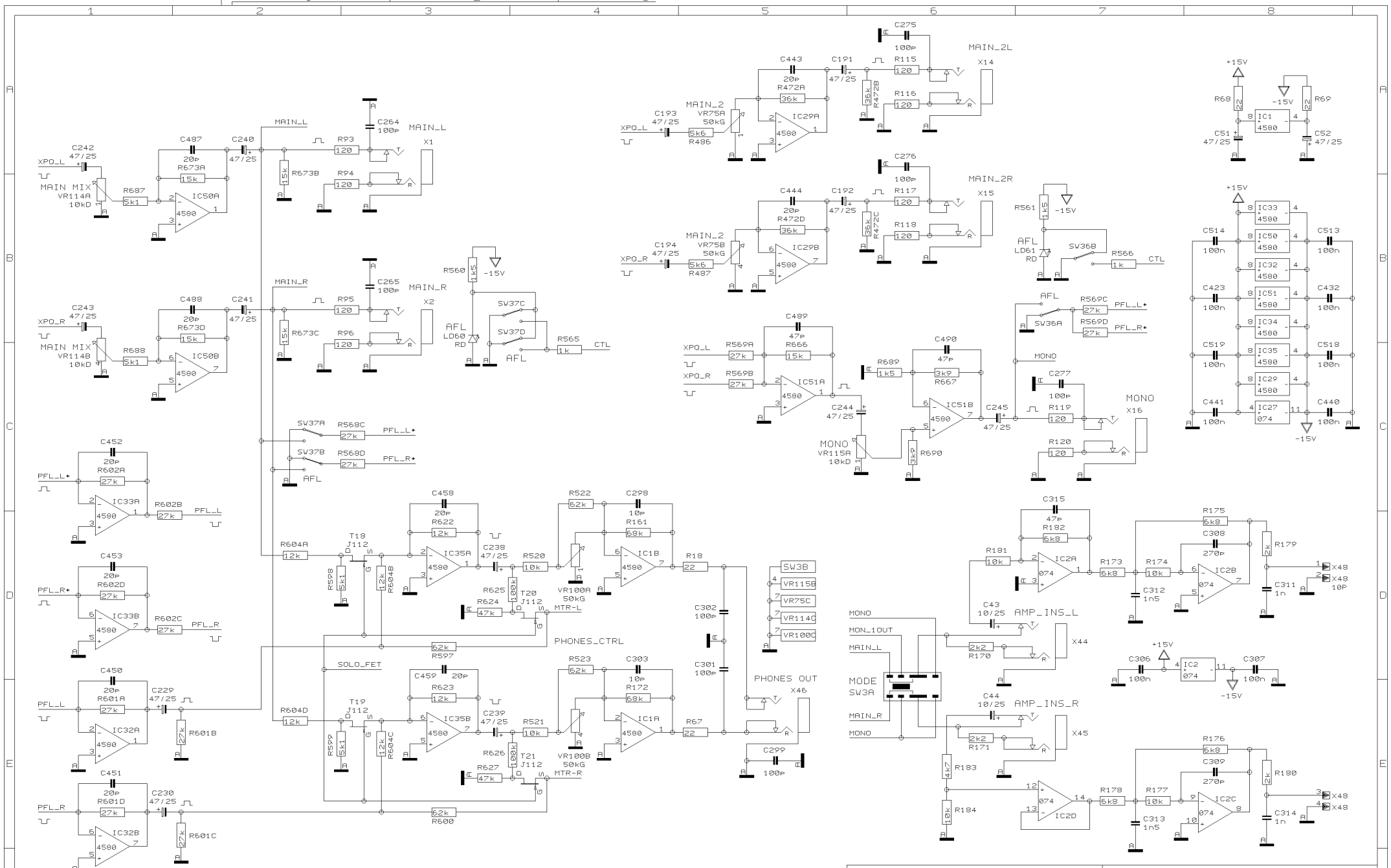
DRAWN SA

CHECKED

DATE 24.11.6
15:45



PROJECT
PMH3000
EUROPOWER
GRAPHIC EQ / FBO / XPO
SHEET 7 OF 10 SHEETS TOTAL



REVISIONS F

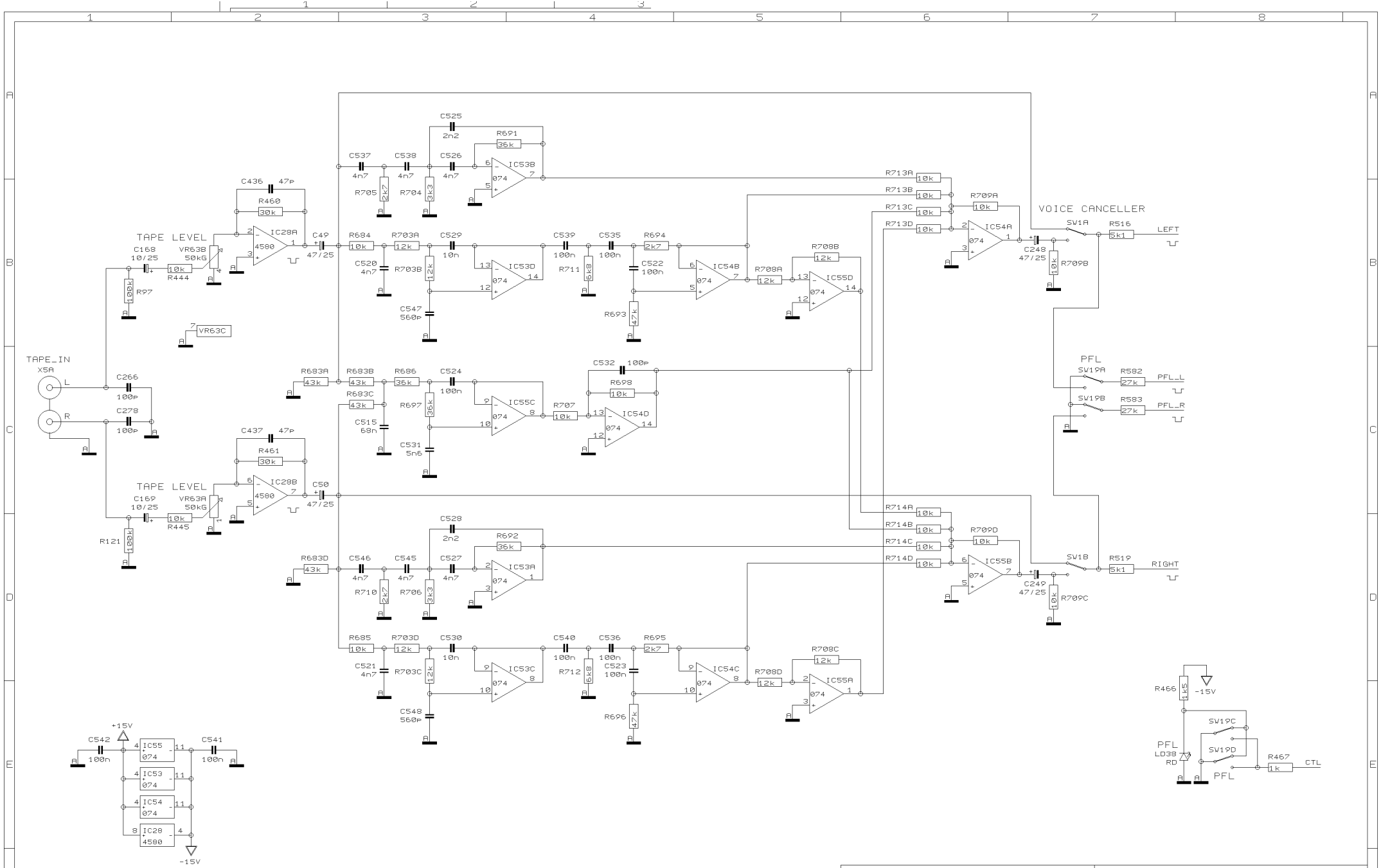
DRAWN SA

CHECKED

DATE 24.11. 6
15:46



PROJECT
PMH3000
EUROPOWER
MAIN SECTION
SHEET 8 OF 10 SHEETS TOTAL

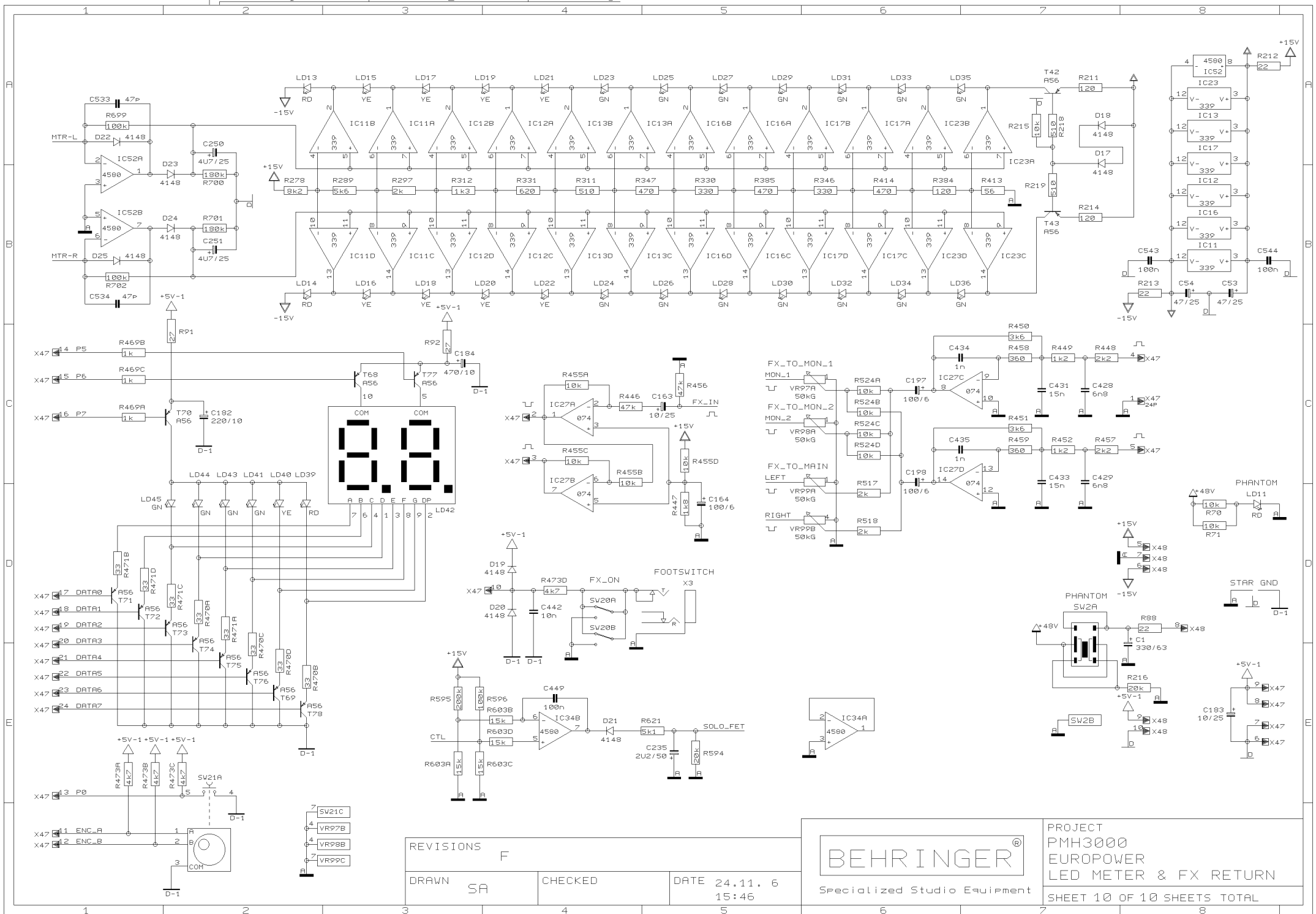


REVISIONS		F	
DRAWN	SA	CHECKED	DATE 24.11. 6 15:46



PROJECT
PMH3000
EUROPOWER
VOICE CANCELLER

SHEET 9 OF 10 SHEETS TOTAL



REVISIONS

F

DRAWN SA

CHECKED

DATE 24.11. 6
15:46

BEHRINGER®

Specialized Studio Equipment

PROJECT
PMH3000
EUROPOWER
LED METER & FX RETURN
SHEET 10 OF 10 SHEETS TOTAL