

Outside Rearview Mirror Housing Cover Package Installation (Instruction ID: 84172801)

Installation Instructions Part Number

84172801

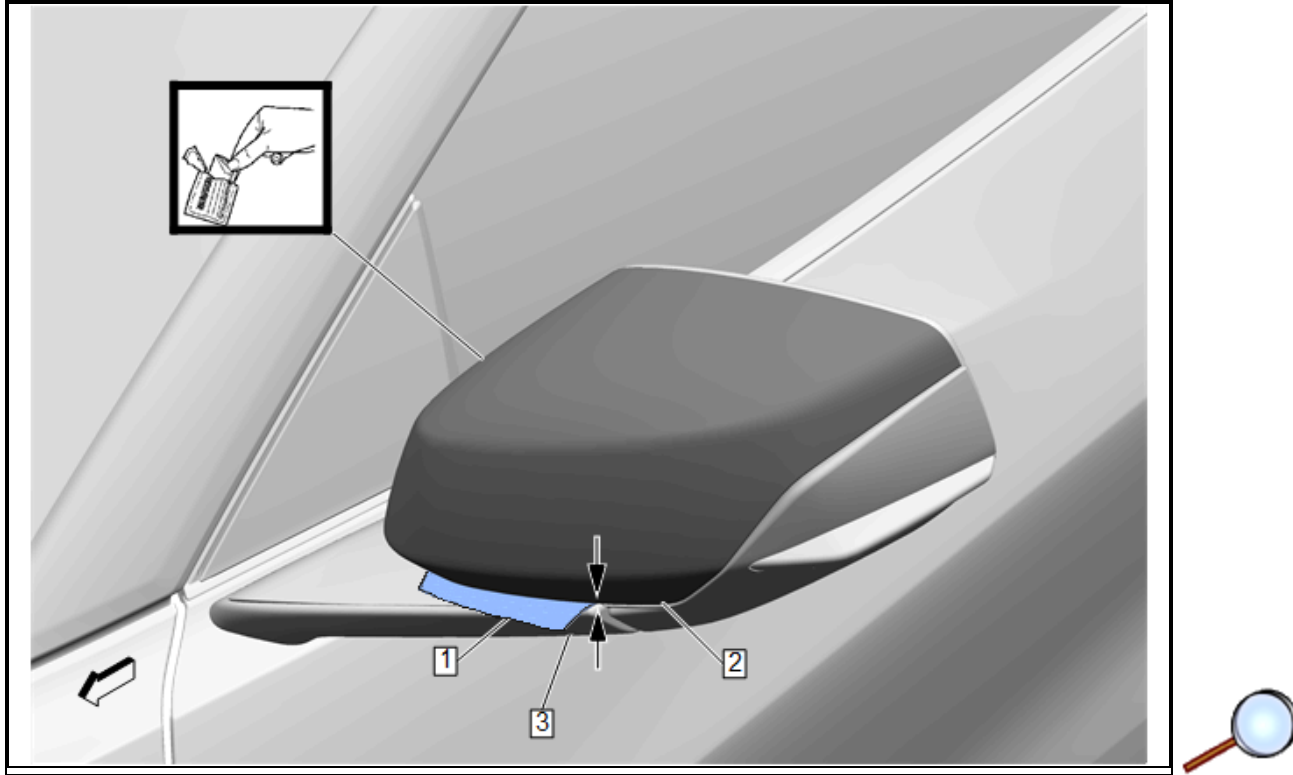
Kit Contents

| Qty | Description |
|-----|--|
| 1 | Outside Rearview Mirror Housing Cover – LH |
| 1 | Outside Rearview Mirror Housing Cover – RH |
| 1 | Alcohol Wipe |
| 1 | Plastic Shim |
| 1 | Installation Instructions |

Before you start

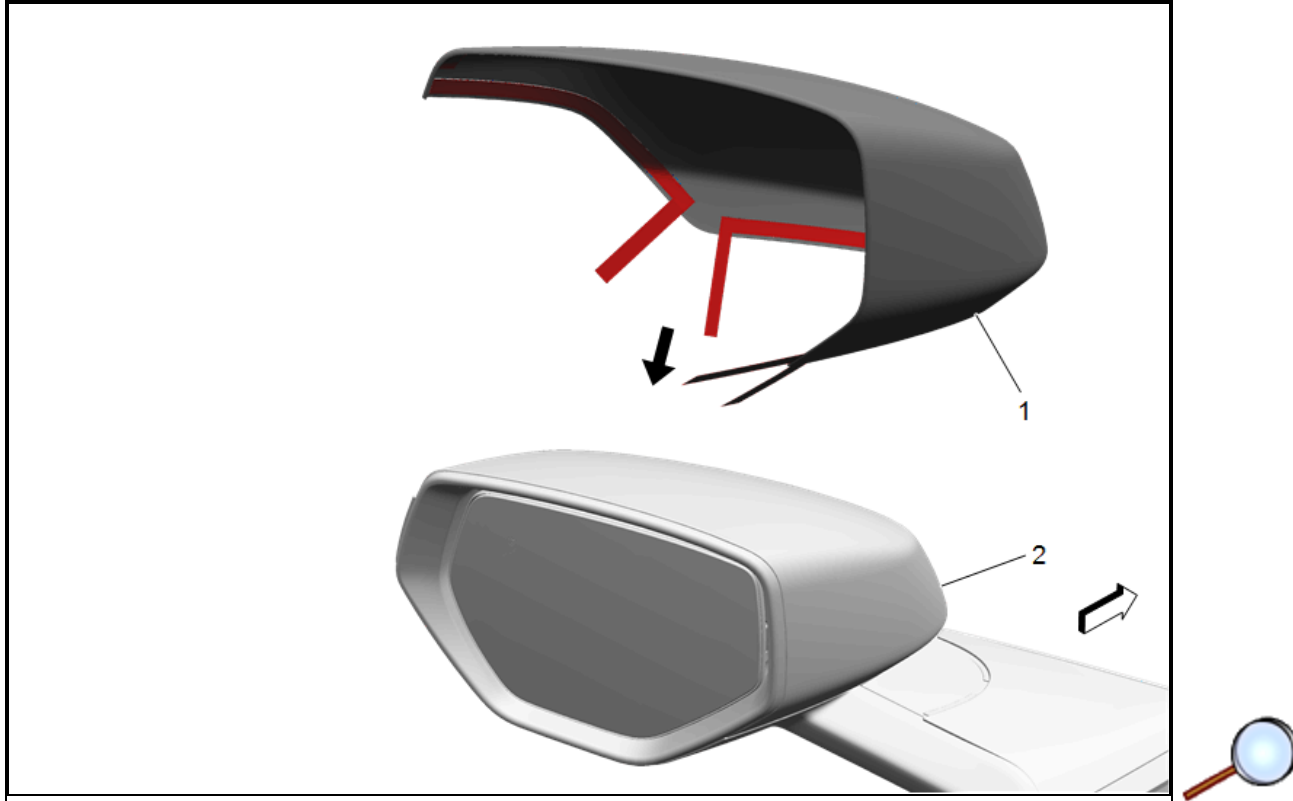
The part and surface should be 21°C (70°F) prior to installation. The vehicle should remain 21°C (70°F) for one hour after assembly to allow adhesive to develop sufficient bond strength.

Procedure

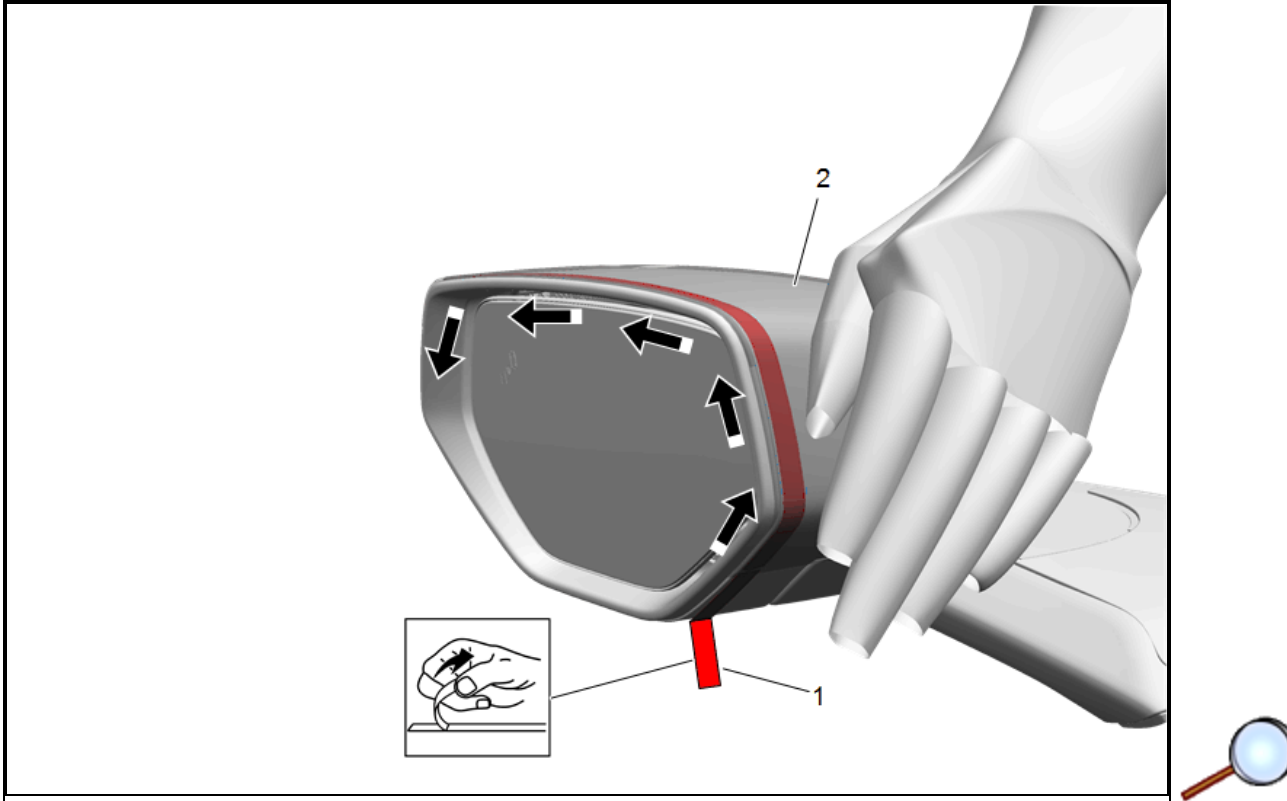


Note: Make sure to position plastic shim as instructed before installing new mirror housing cover. Failing to do so may cause damage to the vehicle, misalignment of components or the inability to install the accessory.

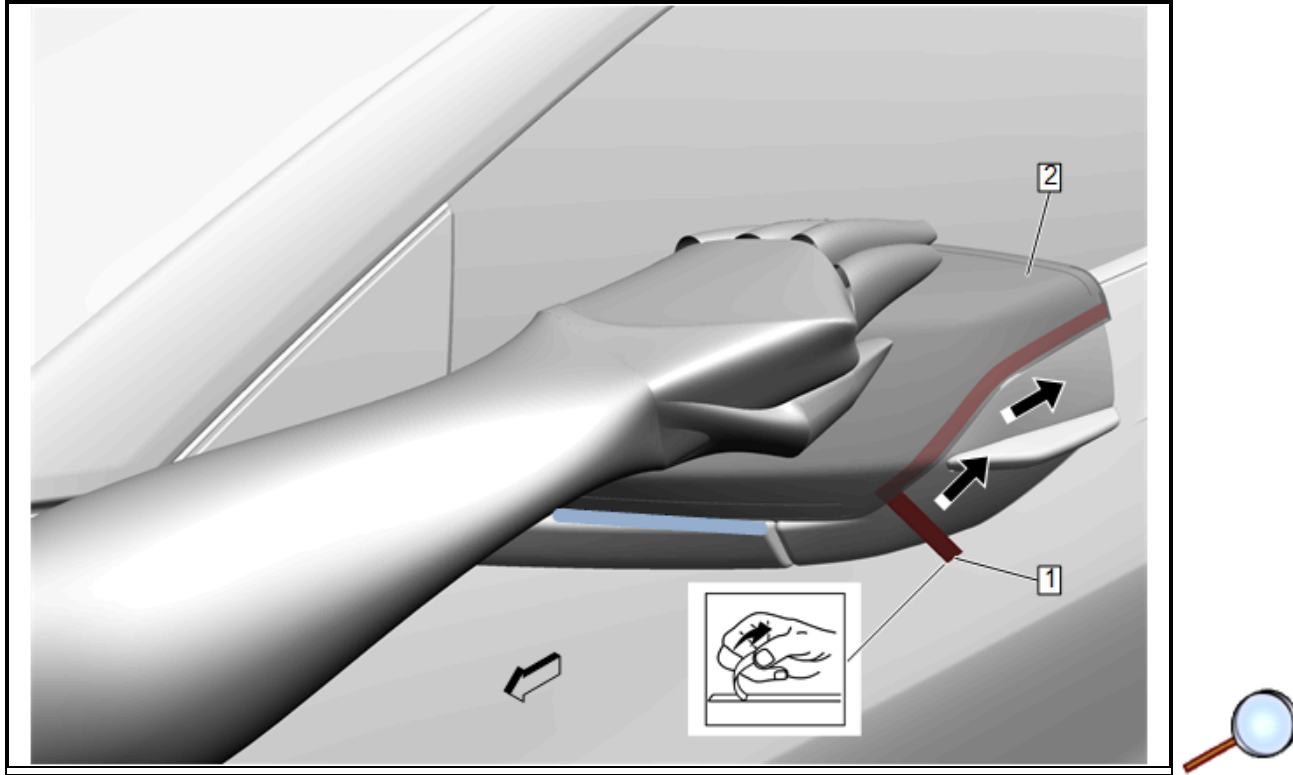
1. Place the plastic shim (1) at mirror fold end between the existing mirror cap (2) and mirror housing (3).
2. Wipe the outside of mirror with the supplied alcohol wipe where adhesive tape will bond.



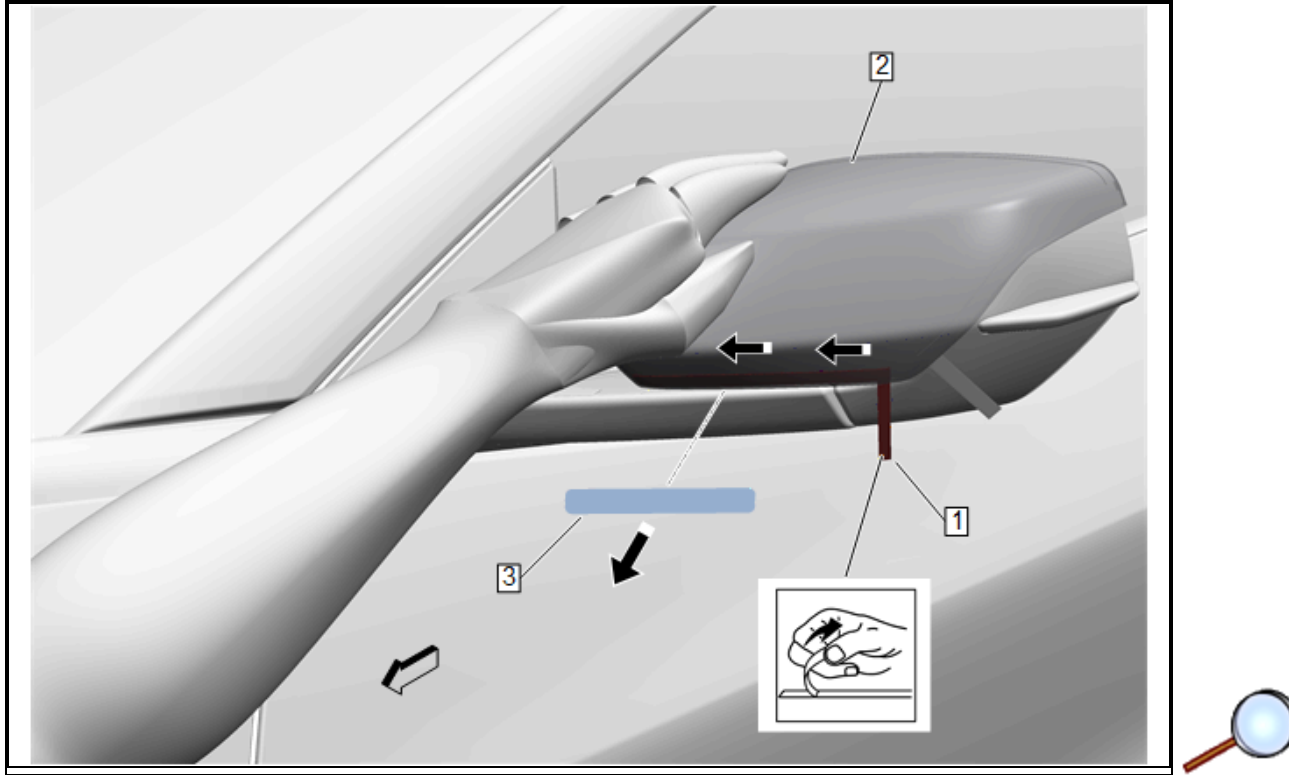
3. With the four protective tape liners on the outside of the rearview mirror housing cover, position the rearview mirror housing cover (1) to outside rearview mirror (2). Make sure the new cover (1) completely covers the color exterior finish on the outside rearview mirror (2)



4. Apply hand pressure at the inner and upper of mirror housing cover (2), and slowly remove the first protective tape liner (1) as shown.



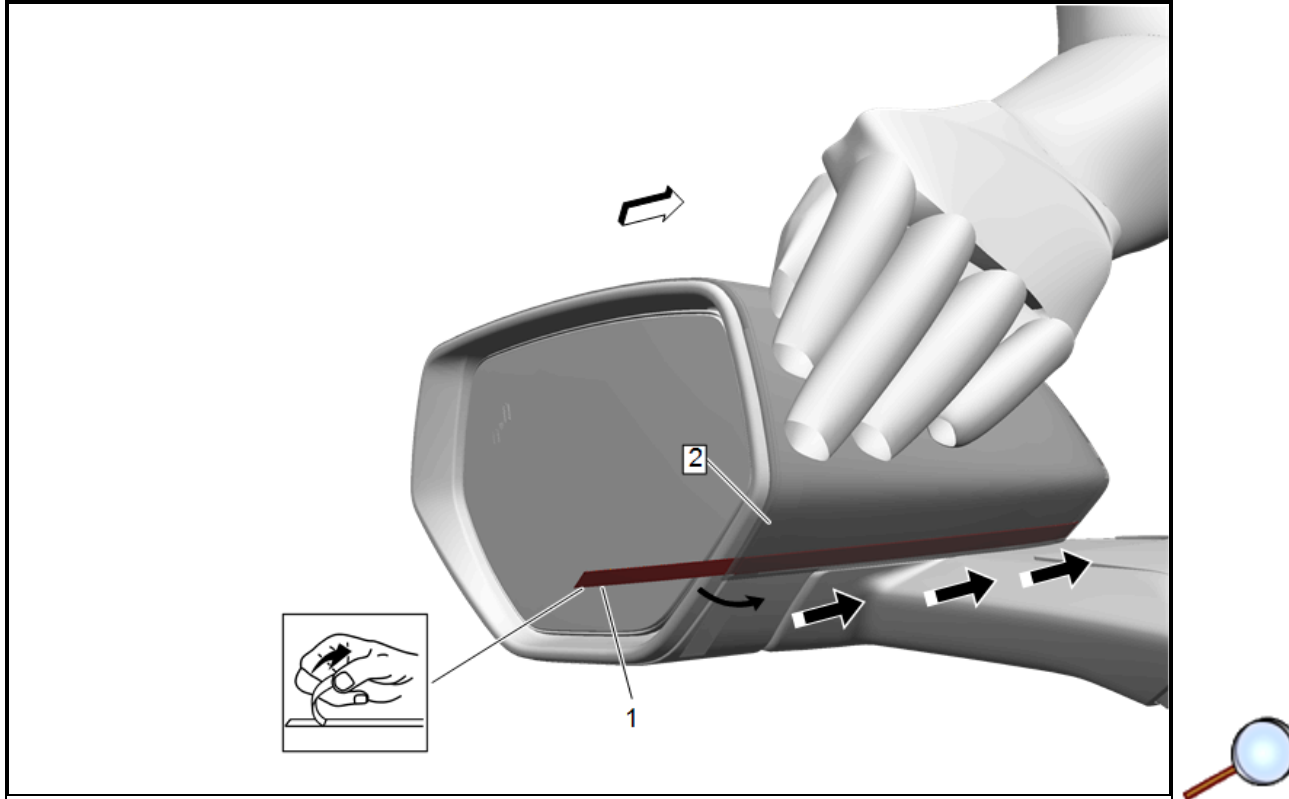
5. Apply hand pressure at the outer of mirror housing cover (2), and slowly remove the second protective tape liner (1) as shown.



6. Carefully remove the plastic shim (3) from the mirror.

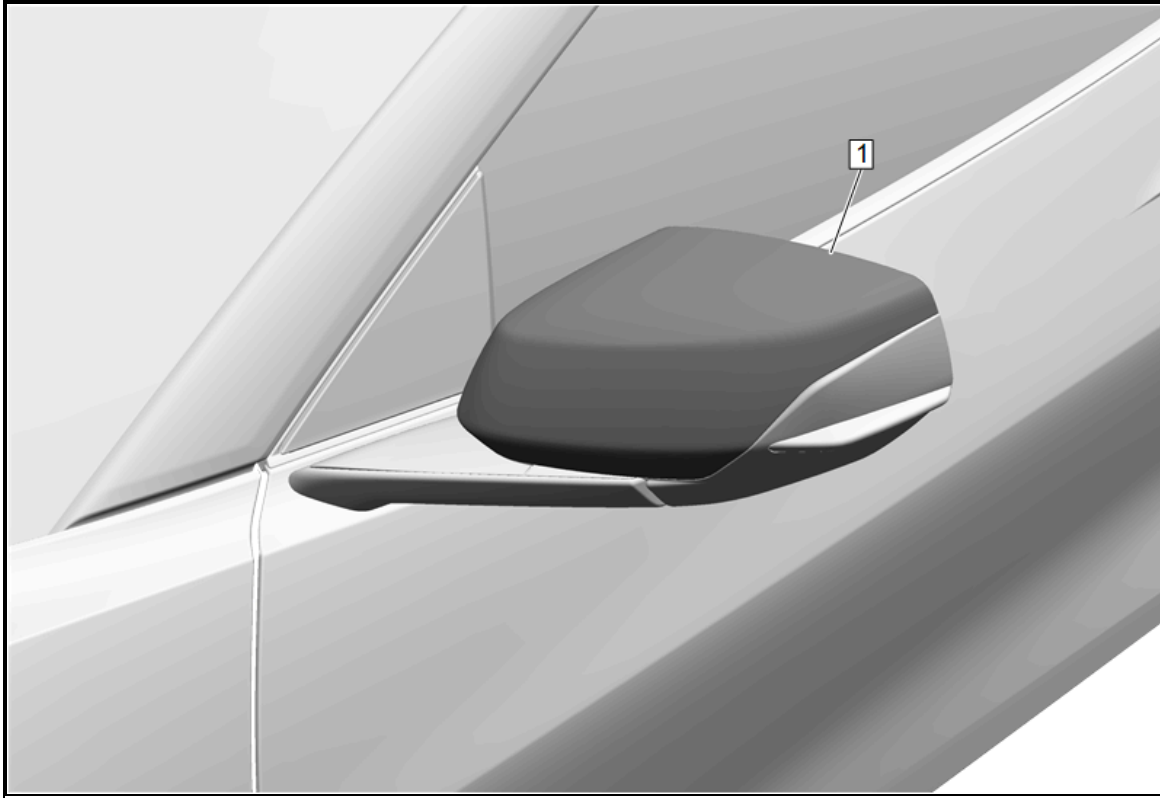
7. Apply hand pressure at the rear of mirror housing cover (2), and slowly remove the third protective tape liner (lower) (1) as shown.

Note: While removing tape liner articulate mirror for better pull access.



8. Apply hand pressure at the inner side of mirror housing cover (2), and slowly remove the fourth protective tape liner (1) as shown.

Note: While removing tape liner articulate mirror for better pull access.



9. Apply pressure to all sides of rearview mirror housing cover (1) to make sure adhesive bonds.
10. Repeat steps for opposite side rearview mirror housing cover
11. Do not wash or get the rearview mirror housing cover wet for 72 hours.