



WINDOW TECHNOLOGY
DOOR TECHNOLOGY
AUTOMATIC ENTRANCE SYSTEMS
BUILDING MANAGEMENT SYSTEMS



WINDOW TECHNOLOGY – ORDER CATALOGUE

Architectural hardware for PVC windows and balcony-doors

Edition 09/2011

- Tilt&Turn, Tilt-First, Turn-Only, Tilt-Only and miscellaneous hardware
- Turn handles
- Tilt&Slide hardware
- Fold&Slide hardware
- Lift&Slide hardware
- Horizontal-pivot and vertical-pivot hardware
- Fanlight openers and electric drives
- Window ventilators
- Smoke and heat exhaust ventilation systems (RWA/SHEV)
- Surface coating
- Service and software

Securing technology for you





DIN EN ISO 9001:2008 defines a company's structural, operational and quality management requirements. In 1995, the accreditation association ,AGQS e.V.' certified the successful implementation of a quality control system in compliance with DIN EN ISO 9001:2008 in the Gretscht-Unitas GmbH Baubeschlage company. The manufacturing of high-quality hardware is a constant concern for GU. The certification programme also confirms that the internal company processes – from development right through to sales and customer service – coincide with this concern.



Since early 2011, the company Gretscht-Unitas GmbH Baubeschlage has the status of Authorised Economic Operator. By obtaining the AEO certificate, GU is in a position to ensure the safeguarding of the international supply chain from the manufacturer of a product to the end user.



| | |
|---|----------------|
| UNI-JET hardware system Tilt&Turn, Tilt-First, Turn-Only, Tilt-Only and miscellaneous hardware Page 4 - 135 | D |
| Turn handles Page 136 - 147 | T |
| Tilt&Slide hardware Page 148 - 225 | B |
| Fold&Slide hardware Page 226 - 245 | B |
| Lift&Slide hardware Page 246 - 299 | F |
| Horizontal-pivot hardware Page 300 - 313 | A |
| Fanlight openers and electric drives Page 314 - 377 | G |
| Window ventilators Page 378 - 389 | J K |
| Smoke and heat exhaust ventilation systems (RWA) Page 390 - 393 | I |
| Surface coating Guidelines/advice on the product and on liability Page 394 - 400 | |
| Service and Software Page 401 - 416 | |

Table of contents – UNI-JET hardware systems

Tilt&Turn, Tilt-First, Turn-Only, Tilt-Only and miscellaneous hardware



Introduction, product information

| | |
|--|----|
| Introduction..... | 6 |
| Product information | 7 |
| UNI-JET locking systems with automatic locking cam..... | 7 |
| Application diagram for UNI-JET Tilt&Turn hardware, sash weight up to 100 kg..... | 8 |
| Application diagram for UNI-JET Tilt&Turn hardware, sash weight up to 130 kg..... | 9 |
| Application diagram for UNI-JET arched window hardware, sash weight up to 80 kg..... | 10 |
| Application diagram for UNI-JET pitched window hardware, sash weight up to 100 kg – $\alpha = -15^\circ$ to 0° | 11 |
| Application diagram for UNI-JET pitched window hardware, sash weight up to 100 kg – $\alpha = 1^\circ$ to 15° | 12 |
| Application diagram for UNI-JET pitched window hardware, sash weight up to 100 kg – $\alpha = 15^\circ$ to 30° | 13 |
| Application diagram for UNI-JET pitched window hardware, sash weight up to 100 kg – $\alpha = 30^\circ$ to 40° | 14 |
| UNI-JET locking system "basic security"..... | 15 |
| UNI-JET locking systems "AhS Standard" and "AhS Extra" according to RAL RG 607/13..... | 15 |
| UNI-JET locking systems "RC 2" according to EN 1627:2011..... | 15 |
| Hinge side versions..... | 16 |
| Application specifications of UNI-JET locking systems..... | 17 |
| Application specifications of UNI-JET hinge sides..... | 18 |
| Sash configuration and sash sizes | 19 |
| 10-years' guarantee for the UNI-JET Tilt&Turn hardware range..... | 20 |

Turn handles and optional parts

| | |
|--|----|
| DIRIGENT-F turn handles..... | 21 |
| GU face-fixed window lock..... | 21 |
| JET rebate opener..... | 21 |
| JET sash brake | 21 |
| Corner drives | 22 |
| Sash lifter, run-up stops | 22 |
| Optional parts for gears..... | 22 |
| Optional parts for gears..... | 23 |
| Optional parts for double stays..... | 23 |
| Optional parts for lever-operated gears..... | 24 |
| Centre closures..... | 24 |
| Bullet catches | 24 |
| Shoot bolts | 24 |
| Optional parts for security hardware | 24 |
| Accessories for alarm systems | 25 |
| INV integrated night-vent | 25 |
| Face-fixed turn blockers..... | 25 |
| Striker for night-vent..... | 25 |
| Lockable turn blockers | 25 |
| Faceplate | 25 |

UNI-JET locking systems – fixed handle height

Basic security – UNI-JET locking systems

| | |
|---|----|
| Tilt&Turn / Tilt-First hardware – 1-sash..... | 26 |
| Turn-Only hardware – 1-sash..... | 27 |
| ZH lever-operated hardware – 2-sash | 28 |
| Tilt&Turn / Tilt-First hardware – 2-sash..... | 29 |
| ZH lever-operated hardware – 2-sash | 30 |
| Turn-Only hardware – 2-sash..... | 31 |
| ZK lever-operated hardware – 2-sash..... | 32 |
| Arched window hardware – 1-sash | 33 |
| Pitched window hardware – 1-sash..... | 34 |
| Basic security – UNI-JET S-CONCEALED locking systems | |
| Tilt&Turn / Tilt-First hardware – 1-sash..... | 36 |
| Turn-Only hardware – 1-sash..... | 37 |

RC 2 – UNI-JET locking systems

| | |
|---|----|
| Sec Tilt&Turn / Tilt-First hardware – 1-sash..... | 38 |
| Sec Turn-Only hardware – 1-sash..... | 39 |
| ZH-Sec lever-operated hardware – 2-sash..... | 40 |
| Sec Tilt&Turn/Tilt-First hardware – 2-sash..... | 41 |
| ZH-Sec lever-operated hardware – 2-sash..... | 42 |
| Sec Turn-Only hardware – 2-sash..... | 43 |
| Sec arched window hardware – 1-sash..... | 44 |
| Sec pitched window hardware – 1-sash..... | 45 |

UNI-JET locking systems – variable handle height

Basic security – UNI-JET locking systems

| | |
|---|----|
| Tilt&Turn / Tilt-First hardware – 1-sash..... | 46 |
| Turn-Only hardware – 1-sash..... | 47 |
| ZH lever-operated hardware – 2-sash | 48 |
| Tilt&Turn / Tilt-First hardware – 2-sash..... | 49 |
| ZH lever-operated hardware – 2-sash | 50 |
| Turn-Only hardware – 2-sash..... | 51 |
| Arched window hardware – 1-sash | 52 |
| Pitched window hardware – 1-sash..... | 53 |

Basic security – UNI-JET S-CONCEALED locking systems

| | |
|---|----|
| Tilt&Turn/Tilt-First hardware – 1-sash..... | 54 |
| Turn-Only hardware – 1-sash..... | 55 |
| RC 2 – UNI-JET locking systems | |
| Sec Tilt&Turn / Tilt-First hardware – 1-sash..... | 56 |
| Sec Turn-Only hardware – 1-sash..... | 57 |
| ZH-Sec lever-operated hardware – 2-sash..... | 58 |
| Sec Tilt&Turn/Tilt-First hardware – 2-sash..... | 59 |
| ZH-Sec lever-operated hardware – 2-sash..... | 60 |
| Sec Turn-Only hardware – 2-sash..... | 61 |

UNI-JET locking systems – Tilt-Only sashes

| | |
|--|----|
| Tilt-Only – 1-sash – fixed handle height..... | 62 |
| Tilt-Only – 1-sash – handle at horizontal top..... | 63 |
| Tilt-Only – 1-sash – handle at horizontal top..... | 64 |

UNI-JET hinge side versions

UNI-JET Tilt&Turn, Tilt-First, Turn-Only and Tilt-Only hardware – drill-in versions

| | |
|---|----|
| UNI-JET D hinge side | 65 |
| Optional parts for UNI-JET D hinge side | 67 |
| UNI-JET S-CONCEALED hinge side | 68 |



Drive gears

| | |
|--|----|
| PC gear BS25 – BS50, lockable | 69 |
| FHH gear, 25BS – 50BS, non-lockable | 70 |
| VHH gear, 25BS – 50BS, non-lockable..... | 71 |
| Dummy mullion FHH gear 30BS, non-lockable..... | 72 |

Strikers, bullet catches and shoot bolts

Burglar-inhibiting hardware components –

"basic security"

| | |
|---|----|
| for 1-sash windows and balcony-doors – "basic security" | 73 |
| for 2-sash windows and balcony-doors with dummy mullion – "basic security" | 77 |

Burglar-inhibiting hardware components – "Ahs" and "RC 2"

| | |
|--|----|
| for 1-sash windows and balcony-doors – Ahs "Standard", Ahs "Extra" and RC 2 | 80 |
|--|----|

Burglar-inhibiting hardware components – "Standard versions"

| | |
|---|----|
| for 2-sash windows and balcony-doors with dummy mullion – "standard version" | 84 |
|---|----|

Drilling jigs, templates

| | |
|--------------------------------|----|
| Drilling jigs, templates | 87 |
|--------------------------------|----|

Miscellaneous hardware

| | |
|--|----|
| Introduction | 89 |
| Product information | 90 |
| EGO friction stays and hardware for box-type windows | 91 |

Aluminium thresholds

| | |
|--|----|
| Representation of the isotherms with thermally-broken aluminium thresholds..... | 93 |
|--|----|

The complete range of balcony-doors and house entrance doors **94**

GU system thresholds

| | |
|---|-----|
| Aluplast profile system..... | 95 |
| Aluplast profile system..... | 96 |
| Brüggemann profile system..... | 97 |
| Gealan profile system..... | 98 |
| INOUTIC profile system..... | 99 |
| KBE profile system | 100 |
| Kömmerling profile system..... | 101 |
| Rehau profile system | 102 |
| Salamander profile system | 103 |
| Schüco profile system..... | 104 |
| Trocal profile system..... | 105 |
| Veka profile system..... | 106 |
| Mounting of threshold-to-frame / -to-mullion connectors..... | 107 |
| Drip rails, drip rail extension and dummy mullion adapter | 108 |
| Drip rails with brush seal, end caps and accessories | 109 |
| Dummy mullion adapter, drip rail extension and HAP leveling profiles | 112 |
| HAP 5 side light profile | 113 |
| GU strikers and corner drives | 114 |

DKS thresholds

| | |
|---|-----|
| DKS thresholds for balcony-doors to DIN 18040 ('Barrier-free Dwellings') | 115 |
| DKH threshold-to-frame / -to-mullion connectors | 116 |
| Closing profile, extension profile, cover profile, filler piece, striker and T&T striker | 117 |
| Installation advice..... | 118 |

HTS thresholds

| | |
|---|-----|
| HTS aluminium thresholds for house entrance doors..... | 119 |
| SWH threshold-to-frame connectors for HTS thresholds | 126 |
| Comfortable threshold-to-frame connection..... | 127 |
| SPH threshold-to-mullion connectors for HTS thresholds..... | 128 |
| SWH threshold-to-frame connectors for HTS thresholds – outward-opening / solid frame | 129 |
| Extra gasket, anti-moisture foil, leveling profile of aluminium and closing profile..... | 130 |
| Connecting profile, extension profile | 131 |
| Run-up block, pre-compressed sealing tape..... | 132 |
| Rebate gasket, protective profile for thresholds..... | 133 |
| Installation examples of HTS thresholds for renovation | 134 |
| Installation examples with HTS thresholds for new construction and renovation..... | 134 |



Contents

The GU order catalogue contains all UNI-JET Tilt&Turn, Tilt-First, Turn-Only and Tilt-Only hardware systems for PVC windows and balcony-doors and accessories according to the latest state of the art.

The following information will make you familiar with the catalogue structure which is conceived in a way to facilitate your daily work.

Catalogue structure

The GU order catalogue is structured as follows:

- Optional parts and turn handles
- UNI-JET locking systems
- Tilt&Turn, Tilt-First, Turn-Only and Tilt-Only hinge-side hardware versions, optional parts
- Single parts and accessories
- Drilling jigs and templates
- Strikers

The catalogue is structured to meet the requirements of the customers.

Optional parts and turn handles

Optional parts and turn handles for the complete Tilt&Turn, Tilt-First, Turn-Only and Tilt-Only hardware range are presented on special pages and can be viewed at a glance. All supplements of standard hardware versions are clearly arranged.

UNI-JET locking systems

Hardware requirements depending on sash size and sash configuration

The hardware illustrations are accompanied by product tables helping to determine hardware requirements depending on the sash size.

Parts for supplementing standard hardware versions are clearly presented and can be selected easily.

Tilt&Turn, Tilt-First, Turn-Only and Tilt-Only hinge-side hardware versions, optional parts

Hardware requirements for patterns A to E

The hardware illustrations are accompanied by product tables helping to determine hardware requirements.

Parts for supplementing standard hardware versions are clearly presented and can be selected easily.

Single parts and accessories

This section contains drive gears and accessories along with advice concerning application and packing units.

Drilling jigs and templates

Drilling jigs, templates and hardware assembly tools are listed according to hardware variants.

Strikers

Strikers are listed according to opening method, profile system and the required burglar resistance.

Order numbers

The order number gives information about

- the product,
- its size,
- its application – e.g. DIN LH or DIN RH – and
- its colour.

Example

Order number
6-28743-03-L-1

6-28743- - - order number
- -03- - size
- - -L- left handed assembly (handle on the left)
- - -R- right handed assembly (handle on the right)
- - -0- non-handed
- - - -1 F 1/EV 1, natural (silver) colour, ferGUard*silver
- - - -2 F 2/EV 2, nickel silver / champaign colour
- - - -3 F 3, brass colour or gold colour
- - - -4 UC 3, medium bronze colour or medium brown
- - - -A F 4, bronze colour
- - - -5 UC 5, dark bronze colour or dark brown (RAL 8022)
- - - -6 onyx-matt or black (RAL 9005)
- - - -7 white (RAL 9016)
- - - -8 stainless steel or stainless steel colour
- - - -* various finishes available

If the last digit of the order number is an asterisk
*

various colours are available which can be taken from the price list.

Prices

GU gross price list

The prices are listed by ascending order numbers.

Additional sales documents

Apart from the order catalogue, the following documents on Tilt&Turn, Tilt-First, Turn-Only and Tilt-Only hardware are available:

- Brochures giving information about product features and benefits
- Direct mail from architectural hardware retailers
- Display boards for various hardware designs
- Installation drawings with hardware installation instructions
- Instructions for maintenance and care



Application

Applications for UNI-JET Tilt&Turn and Turn-Only hardware:

- one-sash windows and balcony-doors
- double-sash windows and balcony-doors without mullion
- lockable one-sash balcony-doors
- lockable double-sash balcony-doors without mullion
- Arched and pitched windows

UNI-JET locking systems with automatic locking cam

UNI-JET locking systems are concealed in the rebate and operated with a single handle. All components are designed for a 16.2 mm wide and 2.5 mm deep hardware groove.

Automatic locking cams of steel

The automatic steel locking cams of drive gears, stays, centre locks and corner drives are adjustable with Torx T 15 and supported with springs to compensate for clearance tolerances – the spring travel is 1.2 mm.

Snap-in and coupling connections

The drive gear and stay arm connections can be snapped-in to the centre locks. The connecting rods are coupled by means of double-sided teathed couplings, secured by means of overlapping gears.

All croppable locking components are fixed in Turn-Only position (installation position), corner drives and centre locks feature 4-leaf stainless steel springs.

UNI-JET Tilt&Turn stays with integrated night vent

Tilt&Turn stays with optional night ventilation spring allow for one-level or two-level night ventilation positions. The stays feature an anti-slam device.

The UNI-JET locking standard is "basic security"

The standard version of UNI-JET locking systems is "basic security". A Sec mushroom cam striker of steel is mounted horizontally at the bottom near the drive-gear side in order to provide enhanced anti-jemmy security in this vulnerable area; this applies to all opening methods.

Burglar-inhibiting locking systems "AhS Standard to RAL RG 607/13"

The requirements in accordance with "AhS Standard to RAL RG 607/13" are fulfilled by means of corner drives with 2 automatic locking cams and hinge-side locking points with 1 automatic locking cam near the stay bearing. (AhS = anti-jemmy security). The corner areas of the window and balcony-door sashes are fitted with zinc mushroom cam strikers; a Sec mushroom cam striker of steel is positioned near the drive-gear side.

Burglar-inhibiting locking systems "AhS Extra to RAL RG 607/13"

The requirements in accordance with "AhS Extra to RAL RG 607/13" are fulfilled by means of corner drives with 2 automatic locking cams and hinge-side locking points with 1 automatic locking cam near the stay bearing. (AhS = anti-jemmy security). The corner areas of the window and balcony-door sashes are fitted with Sec mushroom cam strikers of steel as standard.

Burglar-inhibiting locking systems "RC 2 to EN 1627:2011"

With Sec mushroom cam strikers of steel on all locking points, "RC 2" burglar-inhibiting locking systems meet the requirements in accordance with EN 1627:2011.

AhS hardware ('AhS' = anti-jemmy security) RAL RG 607/13

UNI-JET anti-jemmy hardware in accordance with RAL RG 607/13 quality assurance is marked in the catalogue with the abbreviation "AhS" (Aushebel-Sicherheit = anti-jemmy security).

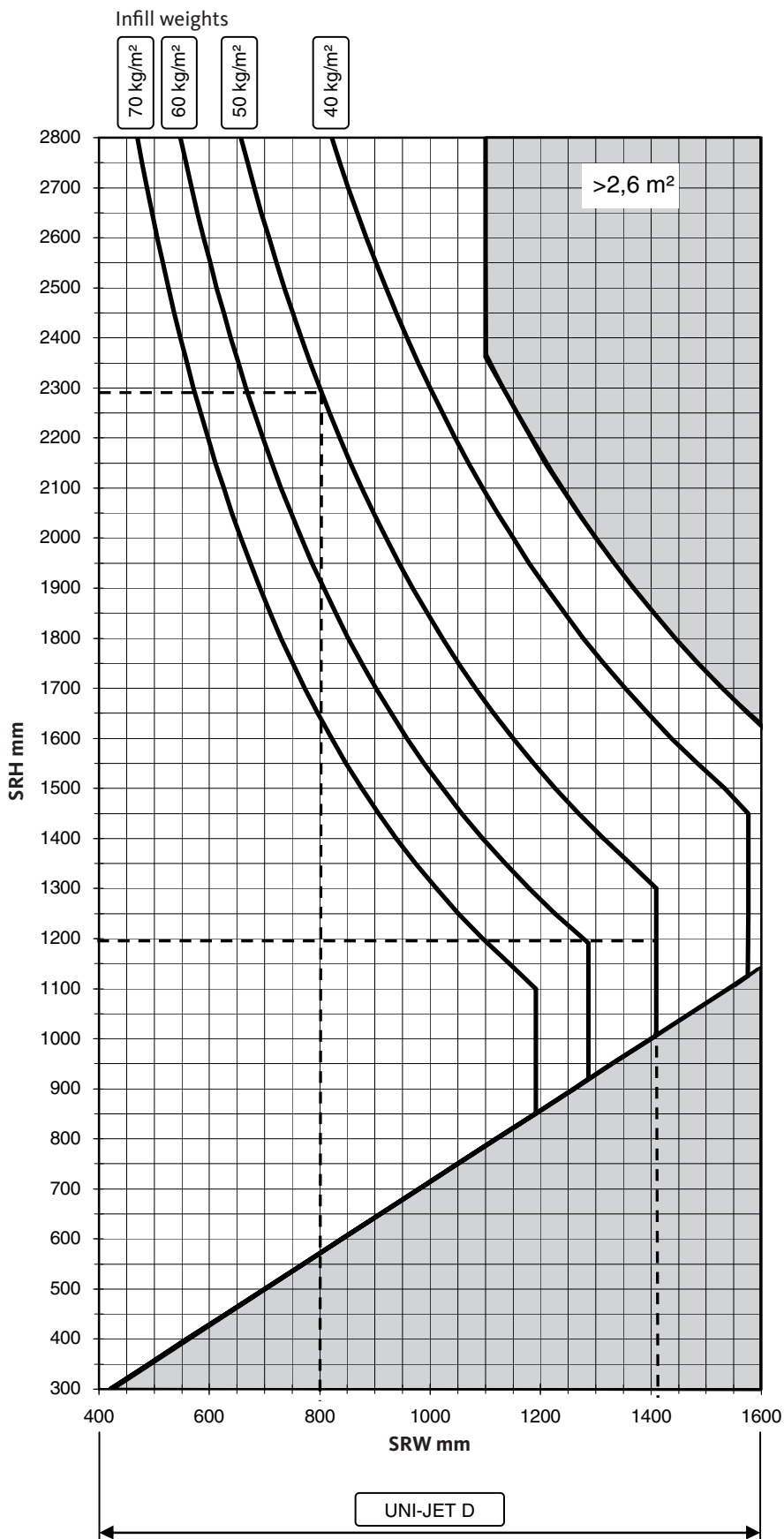
Burglar-inhibiting windows EN 1627:2011 - 1630:2011

UNI-JET Tilt&Turn and Turn-Only hardware suitable for installation in burglar-inhibiting windows in accordance with EN 1627:2011 – burglar resistance class RC 2 – is provided with the reference "EN 1627:2011 - RC 2 security hardware".

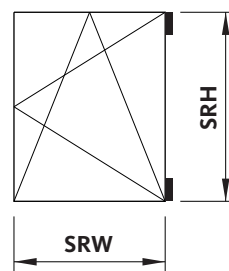
A test in accordance with EN 1627:2011 - 1630:2011 evaluates the burglary-inhibiting features of the complete window unit.



Application diagram for UNI-JET Tilt&Turn hardware, sash weight up to 100 kg



Dimensioned sketch



Hardware versions

- UNI-JET D

Examples

Infill weight = 50 kg/m²

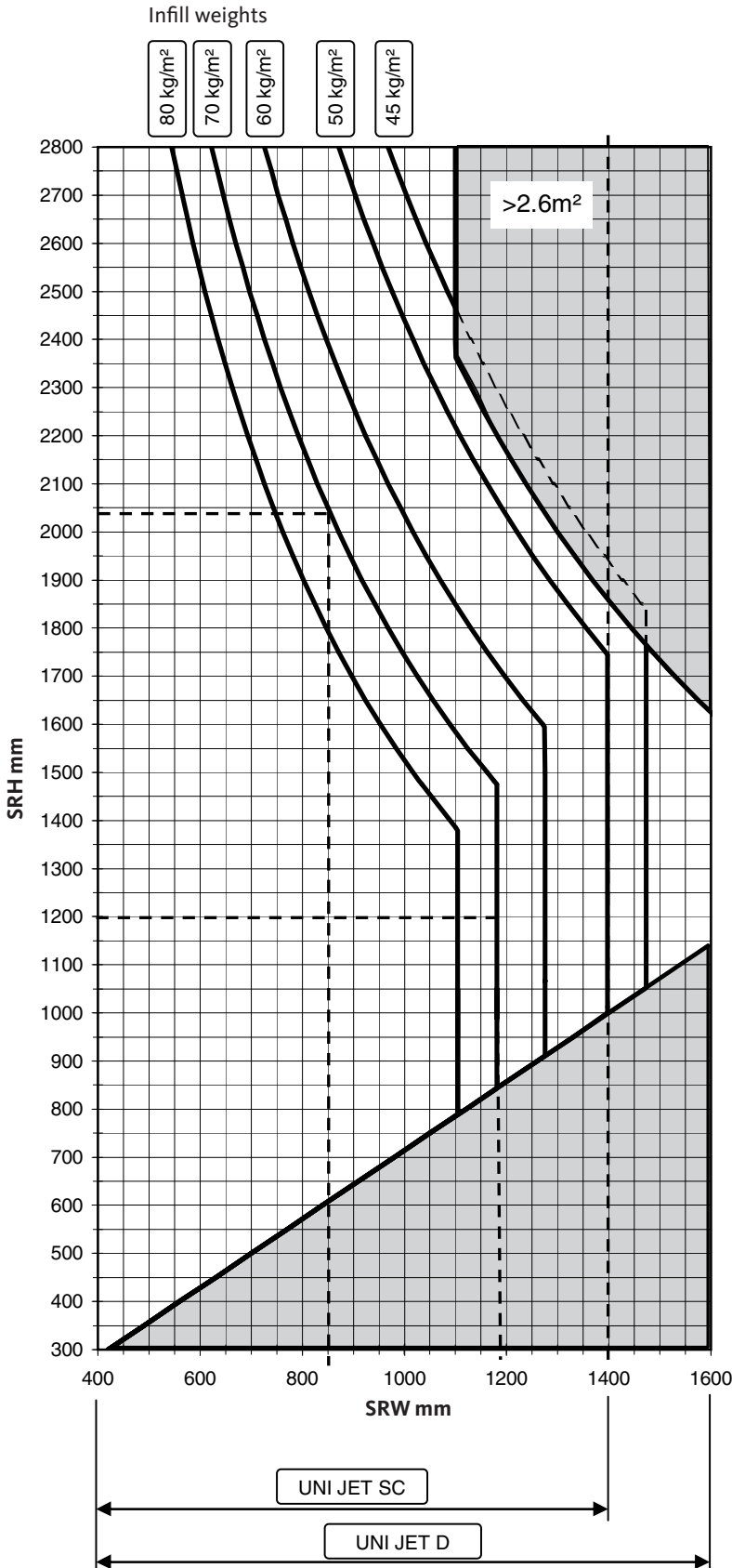
- With a sash rebate width SRW of 800 mm, the maximum sash rebate height SRH is 2300 mm.
- With a sash rebate height SRH of 1200 mm, the maximum sash rebate width SRW is 1410 mm.

Remarks

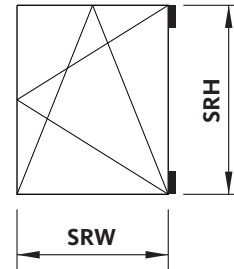
- Only sash formats appearing on the left of the weight graph are permissible.
- Non-permissible formats are in the grey zone.



Application diagram for UNI-JET Tilt&Turn hardware, sash weight up to 130 kg



Dimensioned sketch



Hardware versions

- UNI-JET D
- UNI-JET S-CONCEALED

Examples

Infill weight = 70 kg/m²

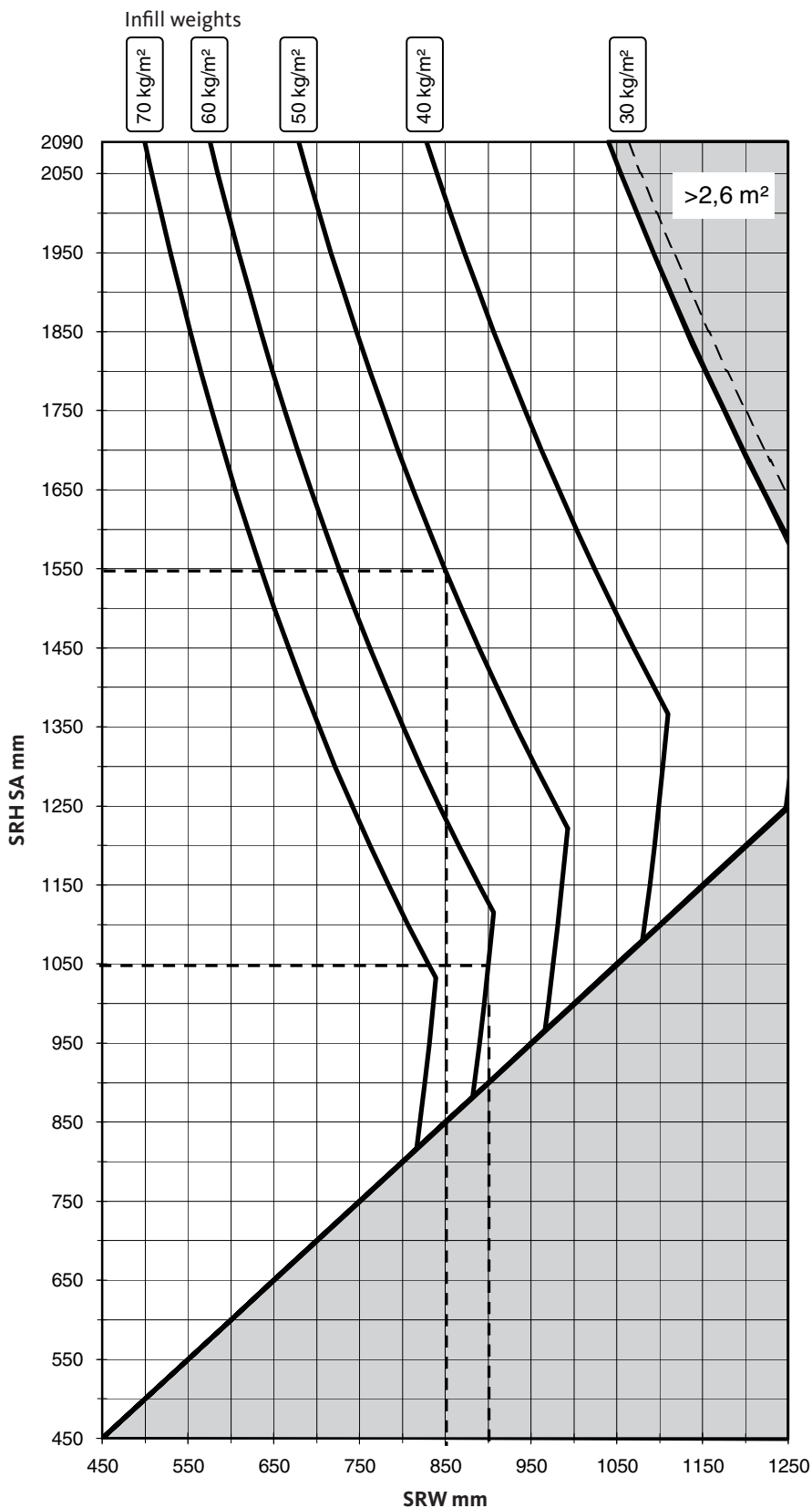
- With a sash rebate width SRW of 850 mm, the maximum sash rebate height SRH is 2050 mm.
- With a sash rebate height SRH of 1200 mm, the maximum sash rebate width SRW is 1180 mm.

Remarks

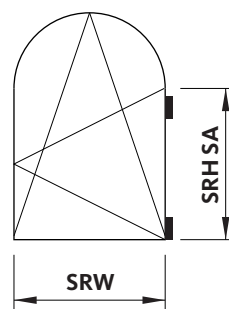
- Only sash formats appearing on the left of the weight graph are permissible.
- Non-permissible formats are in the grey zone.



Application diagram for UNI-JET arched window hardware, sash weight up to 80 kg



Dimensioned sketch



Hardware versions

- UNI-JET D R

Examples

Infill weight = 50 kg/m²

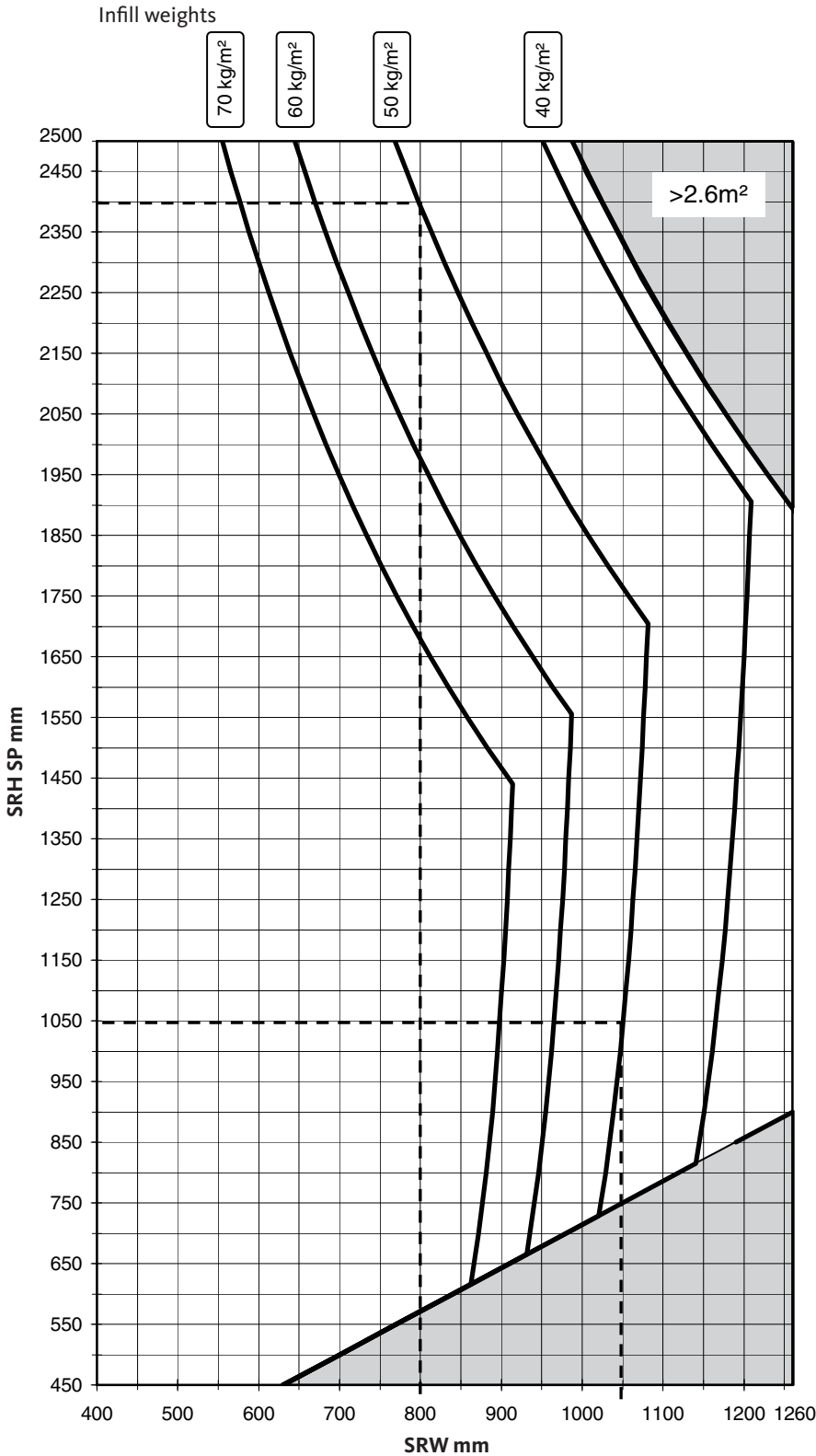
- With a sash rebate width SRW of 900 mm, the maximum sash rebate height SRH SA is 1050 mm.
- With a sash rebate height SRH SA of 1550 mm, the maximum sash rebate width SRW is 850 mm.

Remarks

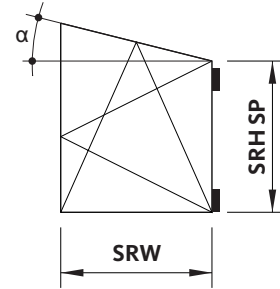
- Only sash formats appearing on the left of the weight graph are permissible.
- Non-permissible formats are in the grey zone.



Application diagram for UNI-JET pitched window hardware, sash weight up to 100 kg – $\alpha = -15^\circ$ to 0°



Dimensioned sketch



Hardware versions

- UNI-JET D S

Examples

Infill weight = 50 kg/m²

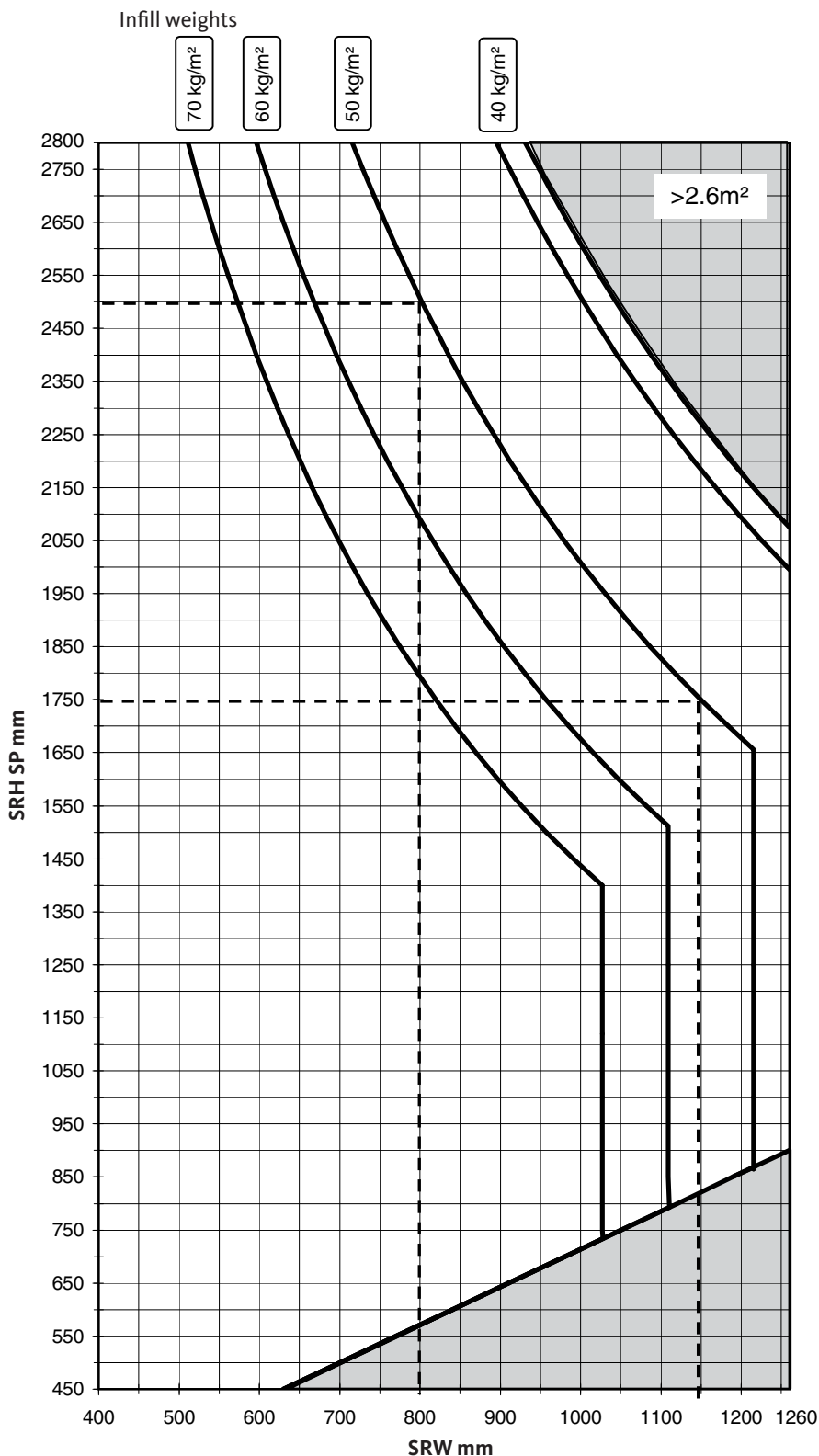
- With a sash rebate width SRW of 800 mm, the maximum sash rebate height SRH SP is 2400 mm.
- With a sash rebate height SRH SP of 1050 mm, the maximum sash rebate width SRW is 1050 mm.

Remarks

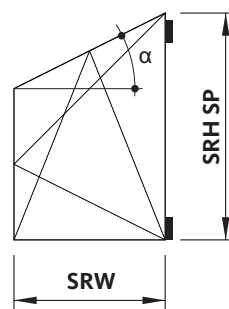
- Only sash formats appearing on the left of the weight graph are permissible.
- Non-permissible formats are in the grey zone.



Application diagram for UNI-JET pitched window hardware, sash weight up to 100 kg – $\alpha = 1^\circ$ to 15°



Dimensioned sketch



Hardware versions

- UNI-JET D S

Examples

Infill weight = 50 kg/m²

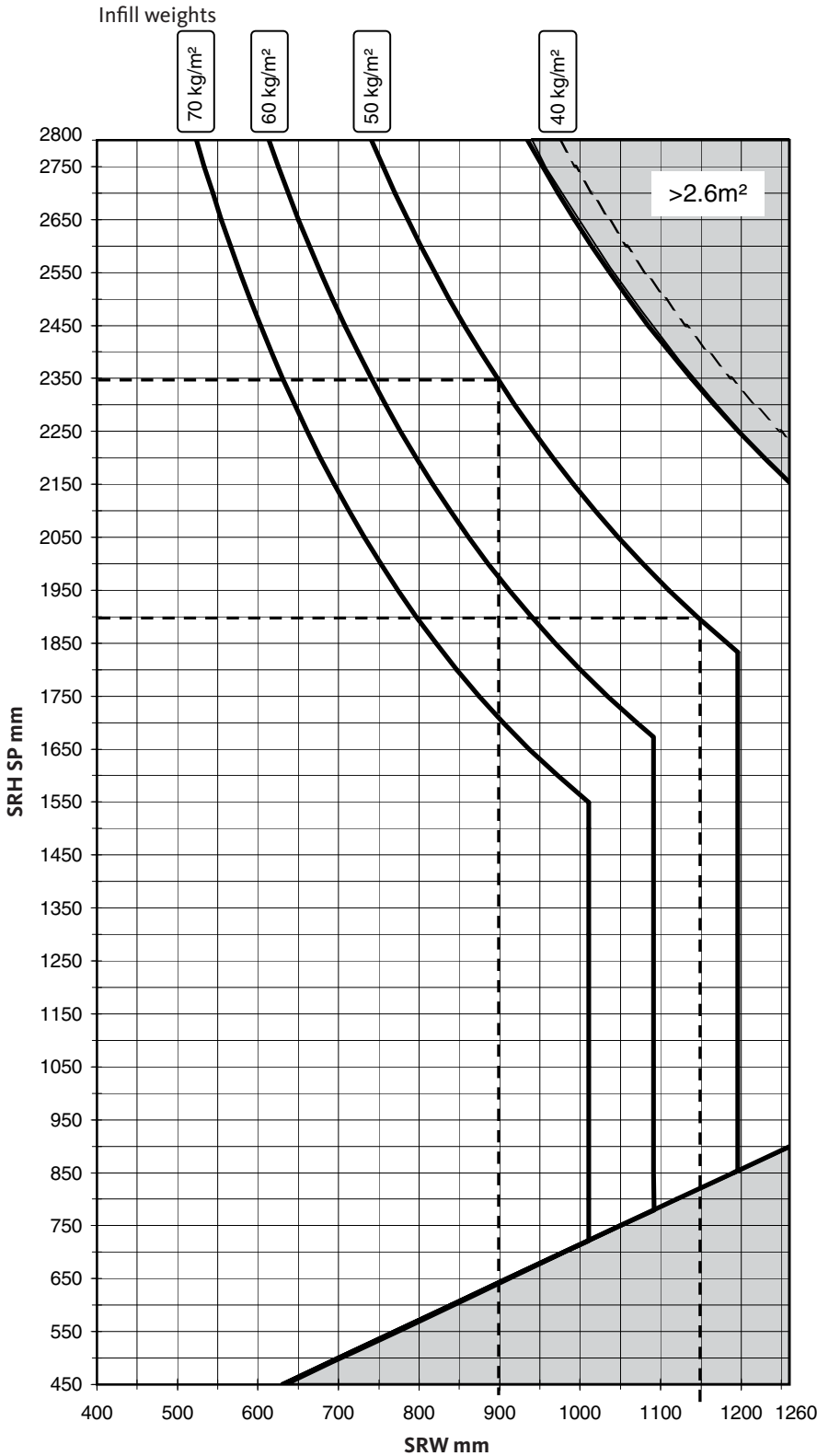
- With a sash rebate width SRW of 800 mm, the maximum sash rebate height SRH SP is 2500 mm.
- With a sash rebate height SRH SP of 1750 mm, the maximum sash rebate width SRW is 1150 mm.

Remarks

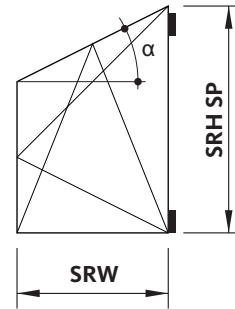
- Only sash formats appearing on the left of the weight graph are permissible.
- Non-permissible formats are in the grey zone.



Application diagram for UNI-JET pitched window hardware, sash weight up to 100 kg – $\alpha = 15^\circ$ to 30°



Dimensioned sketch



Hardware versions

- UNI-JET D S

Examples

Infill weight = 50 kg/m²

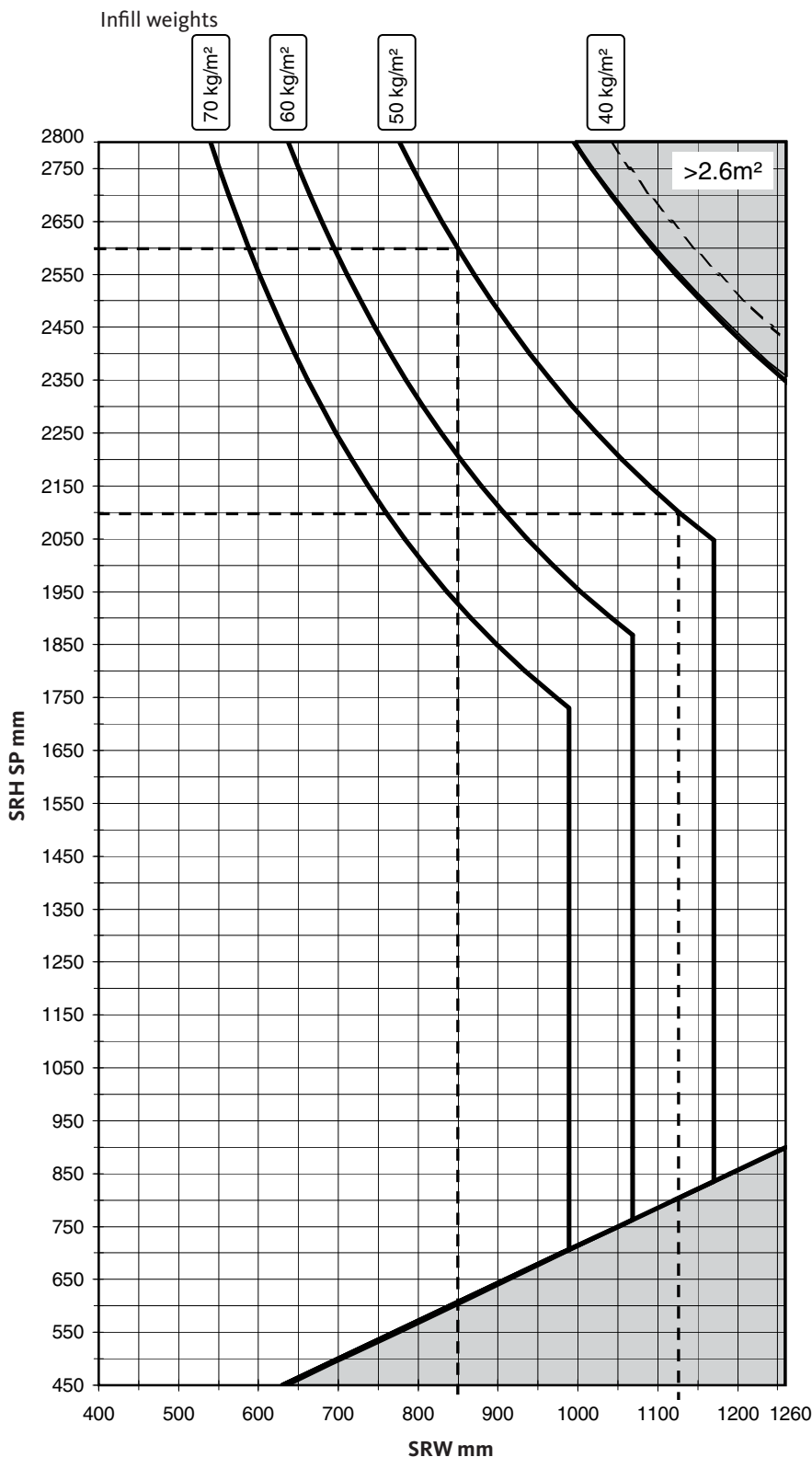
- With a sash rebate width SRW of 900 mm, the maximum sash rebate height SRH SP is 2350 mm.
- With a sash rebate height SRH SP of 1900 mm, the maximum sash rebate width SRW is 1150 mm.

Remarks

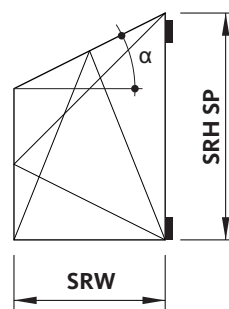
- Only sash formats appearing on the left of the weight graph are permissible.
- Non-permissible formats are in the grey zone.



Application diagram for UNI-JET pitched window hardware, sash weight up to 100 kg – $\alpha = 30^\circ$ to 40°



Dimensioned sketch



Hardware versions

- UNI-JET D S

Examples

Infill weight = 50 kg/m²

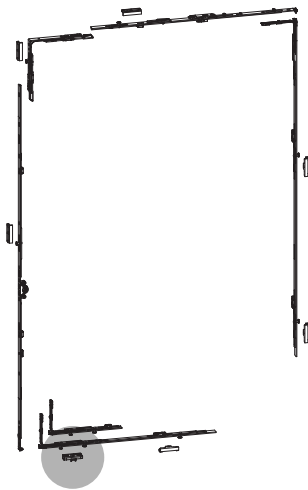
- With a sash rebate width SRW of 850 mm, the maximum sash rebate height SRH SP is 2600 mm.
- With a sash rebate height SRH SP of 2100 mm, the maximum sash rebate width SRW is 1125 mm.

Remarks

- Only sash formats appearing on the left of the weight graph are permissible.
- Non-permissible formats are in the grey zone.



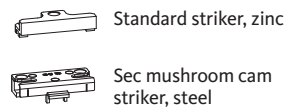
UNI-JET locking system "basic security"



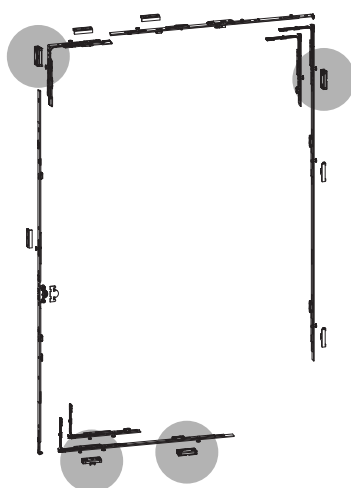
"Basic security" version

- 1 Sec mushroom cam striker (steel) for
 - tilt function
 - standard security for UNI-JET locking systems

- All further locking points are fitted with standard strikers of zinc.



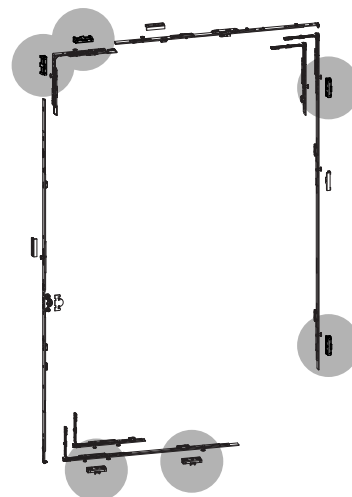
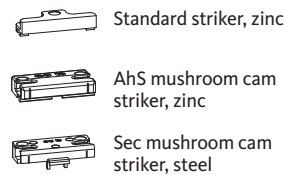
UNI-JET locking systems "AhS Standard" and "AhS Extra" according to RAL RG 607/13



"AhS standard" version

- 1 Sec mushroom cam striker (steel) for
 - tilt function
- 3 AhS mushroom cam strikers (zinc) for
 - "AhS standard" security to RAL RG 607/13

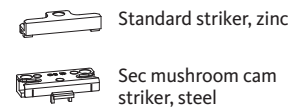
- All further locking points are fitted with standard strikers of zinc.



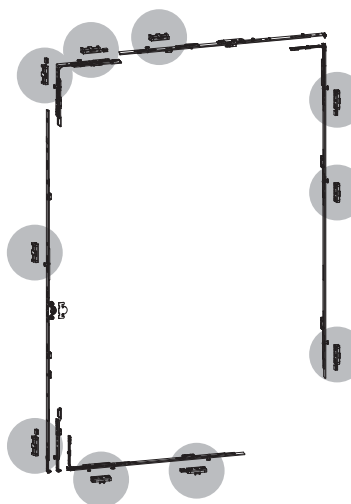
"AhS Extra" version

- 6 Sec mushroom cam strikers (steel) for
 - tilt function
 - "AhS-Extra" security to RAL RG 607/13

- All further locking points are fitted with standard strikers of zinc.



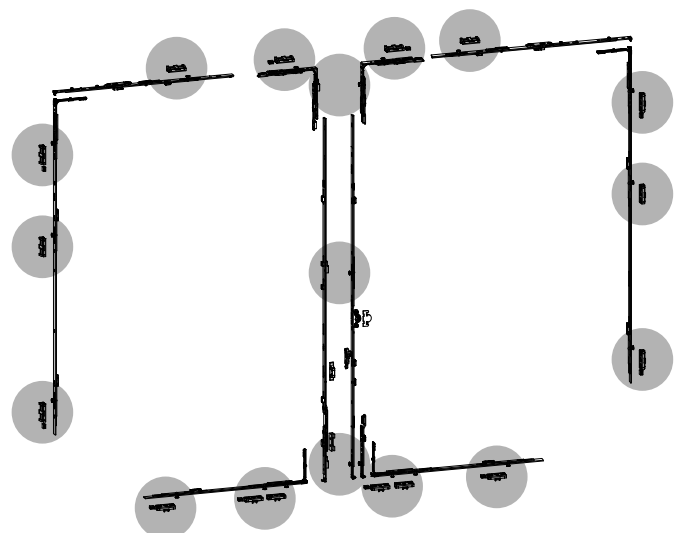
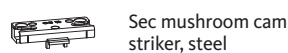
UNI-JET locking systems "RC 2" according to EN 1627:2011



RC 2 version 1-sash and 2-sash elements

- Sec mushroom cam strikers for
 - tilt function
 - "RC 2" security to EN 1627:2011

- All locking points are fitted with Sec mushroom cam strikers of steel.





Hinge side versions

Tilt&Turn and Turn-Only hardware systems

UNI-JET D, UNI-JET D R, UNI-JET D S

Rebate hinge fittings with drill-in hinge or rebate corner hinge and rebate double stay for windows and balcony-doors with 12 mm clearance up to 130 kg sash weight (max. 80 kg for arched, max. 100 kg for pitched windows).

Rebate corner hinge, Turn-Only hinge, centre closure and double stays designed for 9 and 13 mm axis and 18, 20 or 22 mm sash overlap. 3-way adjustable pivot rest, symmetric drill pattern for stay bearings and pivot rest.

UNI-JET S-CONCEALED

fully concealed Tilt&Turn and Turn-Only hardware system for windows with sash overlap

Hardware system with fully concealed pivot rest and stay bearings for windows with sash overlap. For timber and timber-aluminium compound windows and balcony-doors with 12 mm clearance. Sash weight up to 130 kg, 3-way adjustable pivot rest.

Strikers, packers

The strikers and packers for the different frame profiles must be selected according to table.

Drilling jigs, templates

Templates and drilling jigs required for hardware installation are specified in the installation drawings.

DIRIGENT turn handles [1]

The attachment of the aluminium turn handles is concealed. The handle rosettes are provided with a sturdy detent mechanism and fixed lugs. Lockable handles and service handles complete the turn handle range.

Standard colours:

| | |
|-------------------|-----------------------|
| F 1/EV 1 | silver colour |
| F 2/EV 2 | champaign colour |
| F 3 | gold colour |
| F 4 | light brown |
| dark brown | dark brown (RAL 8022) |
| black | black (RAL 9005) |
| white | white (RAL 9016) |

[1] For more turn handles and accessories refer to catalogue section T.

Standard surface sealing of Tilt&Turn hardware: ferGUard*silver

The hardware components are made of high-quality steel, zinc die cast and aluminium alloys. All locking components of Tilt&Turn hardware come with ferGUard*silver surface sealing.

Abbreviations

| | |
|--------|---|
| A | arched window |
| C | fully concealed |
| FHH | fixed handle height |
| HH | handle height |
| LC | locking cam |
| LH | left handed |
| P | pitched window |
| PC | profile cylinder |
| PU | packing unit |
| RH | right handed |
| Sec | security hardware |
| SRH | sash rebate height |
| SRH SA | sash rebate height up to start of arch |
| SRH SP | sash rebate height up to start of pitch |
| SRW | sash rebate width |
| SRWP | sash rebate width of pitched windows |
| ST | sash thickness |
| Ti-On | Tilt-Only windows and balcony-doors |
| Tu-On | Turn-Only windows or balcony-doors |
| T&T | Tilt&Turn windows or balcony-doors |
| T-F | Tilt-First windows or balcony-doors |
| VHH | variable handle height |

Product information of profile system manufacturers

The product guidelines of the profile manufacturers regarding construction, assembly, max. sash dimensions, max. sash weights and material qualities (e.g. linear expansion) are to be observed.



Application specifications of UNI-JET locking systems

UNI-JET locking systems for patterns A to E

| Burglar inhibition/ Opening method | Number of sashes | Gear 15 mm backset FHH/VHH | Lockable gear, backset mm | Sash rebate width SRW mm | Sash rebate height SRH mm SRH SA mm SRH SP mm | Standard installation drawing |
|---------------------------------------|---------------------|----------------------------------|---------------------------------|-----------------------------|--|-------------------------------------|
| "Basic security" | | | | | | |
| Tilt&Turn / First-Tilt sash | 1-sash | FHH | 25 to 50 | 280-1600 | 280-2800 | 0-44324-1 |
| Tilt&Turn / First-Tilt sash | 2-sash | FHH | 25 to 50 | 401-1600 | 451-2800 | 0-44324-1 |
| Turn-Only sash | 1-sash | FHH | 25 to 50 | 280-1600 | 280-2800 | 0-44324-1 |
| Turn-Only sash | 2-sash | FHH | 25 to 50 | 280-1600 | 451-2800 | 0-44324-1 |
| Dummy mullion sash | 2-sash | FHH | | 280-1600 | 470-2800 | 0-44348-1 |
| Arched window | 1-sash | FHH | 25 to 50 | 455-1250 | 380-2090 | 0-44391-1 |
| Pitched window | 1-sash | FHH | 25 to 50 | 455-1260 | 451-2350 | 0-44374-1 |
| "AhS Standard RAL RG 607/13" | | | | | | |
| Tilt&Turn / First-Tilt sash | 1-sash | FHH | 25 to 50 | 401-1600 | 451-2800 | 0-44324-1 |
| Tilt&Turn / First-Tilt sash | 2-sash | FHH | 25 to 50 | 401-1600 | 451-2800 | 0-44324-1 |
| Turn-Only sash | 1-sash | FHH | 25 to 50 | 401-1600 | 451-2800 | 0-44324-1 |
| Turn-Only sash | 2-sash | FHH | 25 to 50 | 401-1600 | 451-2800 | 0-44324-1 |
| Dummy mullion sash | 2-sash | FHH | | 401-1600 | 470-2800 | 0-44348-1 |
| "AhS Extra RAL RG 607/13" | | | | | | |
| Tilt&Turn / First-Tilt sash | 1-sash | FHH | 25 to 50 | 401-1600 | 451-2800 | 0-44324-1 |
| Tilt&Turn / First-Tilt sash | 2-sash | FHH | 25 to 50 | 401-1600 | 451-2800 | 0-44324-1 |
| Turn-Only sash | 1-sash | FHH | 25 to 50 | 401-1600 | 451-2800 | 0-44324-1 |
| Turn-Only sash | 2-sash | FHH | 25 to 50 | 401-1600 | 451-2800 | 0-44324-1 |
| Dummy mullion sash | 2-sash | FHH | | 401-1600 | 470-2800 | 0-44348-1 |
| "RC 2 to EN 1627:2011" | | | | | | |
| Tilt&Turn / First-Tilt sash | 1-sash | FHH | 25 to 50 | 401-1600 | 451-2800 | 0-44324-1 |
| Tilt&Turn / First-Tilt sash | 2-sash | FHH | 25 to 50 | 401-1600 | 451-2800 | 0-44324-1 |
| Turn-Only sash | 1-sash | FHH | 25 to 50 | 401-1600 | 451-2800 | 0-44324-1 |
| Turn-Only sash | 2-sash | FHH | 25 to 50 | 401-1600 | 451-2800 | 0-44324-1 |
| Dummy mullion sash | 2-sash | FHH | | 401-1600 | 470-2800 | 0-44348-1 |
| Arched window | 1-sash | FHH | 25 to 50 | 455-1250 | 470-2090 | 0-44391-1 |
| Pitched window | 1-sash | FHH | 25 to 50 | 455-1260 | 451-2350 | 0-44374-1 |
| "Basic security" | | | | | | |
| Tilt&Turn / Tilt-First sash | 1-sash | VHH | 25 to 50 | 401-1600 | 480-2800 | 0-44324-1 |
| Tilt&Turn / Tilt-First sash | 2-sash | VHH | 25 to 50 | 401-1600 | 480-2800 | 0-44324-1 |
| Turn-Only sash | 1-sash | VHH | 25 to 50 | 280-1600 | 480-2800 | 0-44324-1 |
| Turn-Only sash | 2-sash | VHH | 25 to 50 | 280-1600 | 480-2800 | 0-44324-1 |
| Dummy mullion sash | 2-sash | VHH | | 280-1600 | 741-2800 | 0-44348-1 |
| Arched window | 1-sash | VHH | 25 to 50 | 455-1250 | 480-2090 | 0-44391-1 |
| Pitched window | 1-sash | VHH | 25 to 50 | 455-1260 | 480-2450 | 0-44374-1 |
| "AhS Standard RAL RG 607/13" | | | | | | |
| Tilt&Turn / Tilt-First sash | 1-sash | VHH | 25 to 50 | 401-1600 | 480-2800 | 0-44324-1 |
| Tilt&Turn / Tilt-First sash | 2-sash | VHH | 25 to 50 | 401-1600 | 480-2800 | 0-44324-1 |
| Turn-Only sash | 1-sash | VHH | 25 to 50 | 401-1600 | 480-2800 | 0-44324-1 |
| Turn-Only sash | 2-sash | VHH | 25 to 50 | 401-1600 | 480-2800 | 0-44324-1 |
| Dummy mullion sash | 2-sash | VHH | | 401-1600 | 741-2800 | 0-44348-1 |
| "AhS Extra RAL RG 607/13" | | | | | | |
| Tilt&Turn / Tilt-First sash | 1-sash | VHH | 25 to 50 | 401-1600 | 480-2800 | 0-44324-1 |
| Tilt&Turn / Tilt-First sash | 2-sash | VHH | 25 to 50 | 401-1600 | 480-2800 | 0-44324-1 |
| Turn-Only sash | 1-sash | VHH | 25 to 50 | 401-1600 | 480-2800 | 0-44324-1 |
| Turn-Only sash | 2-sash | VHH | 25 to 50 | 401-1600 | 480-2800 | 0-44324-1 |
| Dummy mullion sash | 2-sash | VHH | | 401-1600 | 741-2800 | 0-44348-1 |
| "RC 2 to EN 1627:2011" | | | | | | |
| Tilt&Turn / Tilt-First sash | 1-sash | VHH | 25 to 50 | 401-1600 | 480-2800 | 0-44324-1 |
| Tilt&Turn / Tilt-First sash | 2-sash | VHH | 25 to 50 | 401-1600 | 480-2800 | 0-44324-1 |
| Turn-Only sash | 1-sash | VHH | 25 to 50 | 401-1600 | 480-2800 | 0-44324-1 |
| Turn-Only sash | 2-sash | VHH | 25 to 50 | 401-1600 | 480-2800 | 0-44324-1 |
| Dummy mullion sash | 2-sash | VHH | | 401-1600 | 741-2800 | 0-44348-1 |
| "Basic security" | | | | | | |
| Tilt-Only hardware | 1-sash | FHH | | 1320-2220 | 451-1600 | 0-44401-1 |
| Tilt-Only gear | 1-sash | VHH | | 591-1950 | -1600 | 0-44396-1 |



Application specifications of UNI-JET locking systems

UNI-JET S-CONCEALED locking systems for patterns A to E

| Burglar inhibition/ Opening method | Number of sashes | Gear 15 mm backset FHH/VHH | Lockable gear, backset mm | Sash rebate width SRW mm | Sash rebate height SRH mm | Standard installation drawing |
|--|---------------------|----------------------------------|---------------------------------|-----------------------------|------------------------------|-------------------------------------|
| "Basic security" Tilt&Turn / First-Tilt sash Turn-Only sash | 1-sash 1-sash | FHH FHH | 25 to 50 25 to 50 | 401-1400 360-1400 | 350-2800 350-2800 | 0-45080-1 0-45080-1 |
| "Basic security" Tilt&Turn / Tilt-First sash Turn-Only sash | 1-sash 1-sash | VHH VHH | 25 to 50 25 to 50 | 401-1400 360-1400 | 480-2800 480-2800 | 0-45080-1 0-45080-1 |
| "Basic security" Tilt&Only gear | 1-sash | VHH | | 591-2400 | 320-1200 | 0-45287-1 |

Application specifications of UNI-JET hinge sides

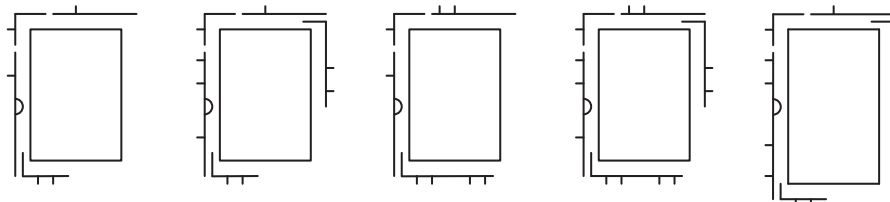
Hinge side versions

| Hinge side/ opening method | Opening method | Clearance mm | Sash weight max. kg | Space requirement hinge side mm | Space requirement bottom mm | Installation drawing |
|--|---|----------------------------|--------------------------------|------------------------------------|--------------------------------|--|
| UNI-JET D Tilt&Turn / Tilt-First sash Turn-Only sash Arched window Pitched window Tilt-Only sash | T&T / T-F Tu-On T&T T&T Ti-On | 12 12 12 12 12 | 130 130 80 100 100 | 20 20 20 20 20 | 0 0 0 0 | 0-44325-2 0-44325-2 0-44392-2 0-44375-2 |
| UNI-JET S-CONCEALED Tilt&Turn / Tilt-First sash Turn-Only sash Tilt-Only sash | T&T / T-F Tu-On Ti-On | 12 12 12 | 130 130 80 | | | 0-44889-2 0-44889-2 0-45287-1 |



Tilt&Turn and Tilt-First windows and balcony-doors

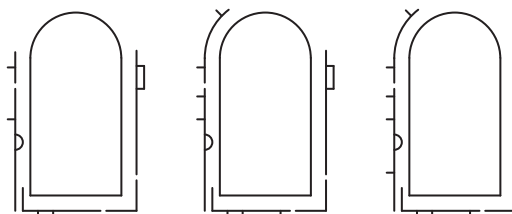
Sash configuration and sash sizes for patterns A to E



| Fixed handle height, pattern | A | B | C | D | E |
|---------------------------------|----------|----------|----------|----------|-----------|
| SRW (sash rebate width, mm) | 280-1450 | 280-1450 | 751-1600 | 751-1600 | 501-1200 |
| SRH (sash rebate height, mm) | 350-1100 | 721-1850 | 350-1100 | 721-1850 | 1851-2800 |
| Variable handle height, pattern | A | B | C | D | E |
| SRW (sash rebate width, mm) | 401-1450 | 401-1450 | 751-1600 | 751-1600 | 501-1200 |
| SRH (sash rebate height, mm) | 480-1200 | 951-1950 | 480-1200 | 951-1950 | 1951-2800 |

Arched windows and balcony-doors

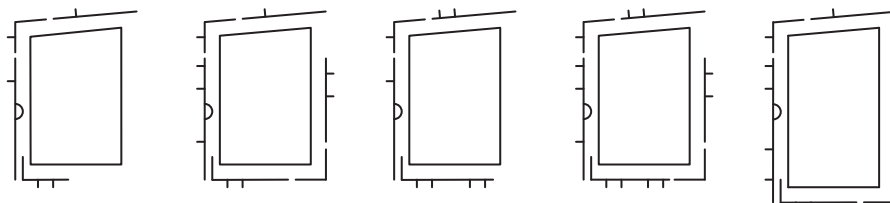
Sash configuration and sash sizes for patterns R1 to R3



| Fixed handle height, pattern | A | B | C |
|--|---------|----------|----------|
| SRW (sash rebate width, mm) | 455-620 | 455-620 | 621-1250 |
| SRH SA (sash reb. height at start of arch, mm) | 380-580 | 581-2090 | 581-2090 |

Pitched windows and balcony-doors

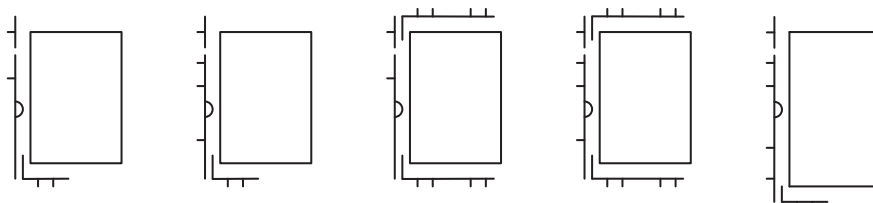
Sash configuration and sash sizes for patterns A to E



| Fixed handle height, pattern | A | B | C | D | E |
|---|----------|-----------|----------|-----------|-----------|
| SRW (sash rebate width, mm) | 455- 770 | 455- 770 | 771-1260 | 771-1260 | 455-1200 |
| SRH SP (sash reb. height at start of pitch, mm) | 451-1100 | 1101-1850 | 451-1100 | 1101-1850 | 1851-2350 |

Turn-Only windows and balcony-doors

Sash configuration and sash sizes for patterns A to E



| Fixed handle height, pattern | A | B | C | D | E |
|---------------------------------|----------|----------|----------|----------|-----------|
| SRW (sash rebate width, mm) | 280- 750 | 280- 750 | 751-1600 | 751-1600 | 501-1200 |
| SRH (sash rebate height, mm) | 350-1100 | 721-1850 | 350-1100 | 721-1850 | 1851-2800 |
| Variable handle height, pattern | A | B | C | D | E |
| SRW (sash rebate width, mm) | 280- 750 | 280- 750 | 751-1600 | 751-1600 | 501-1200 |
| SRH (sash rebate height, mm) | 480-1200 | 951-1950 | 480-1200 | 951-1950 | 1951-2800 |



10-years' guarantee for the UNI-JET Tilt&Turn hardware range

In addition to the statutory rights in accordance with general sales, supply & payment conditions, GRETSCH-UNITAS GmbH Baubeschläge, Johann-Maus-Strasse 3, D-71254, Ditzingen, Germany are pleased to extend an additional guarantee of 10 (TEN) years on all load-bearing parts (with the exception of electronic components) supplied within the scope of the GU JET/UNI-JET hardware programme.

Guarantee promise

GRETSCH-UNITAS GmbH Baubeschläge guarantee all load-bearing parts against breakage for a **period of 10 years** from the date of supply in accordance with German Civil Code reference 477 BGB. It is a strict condition of this guarantee that all points listed below are adhered to.

The performance of the guarantee is specified as follows:

In the event of any material breakage, a replacement will be delivered free of charge. Should any parts be discontinued, then an alternative part of equal specification will be delivered. Any such parts claimed under the terms of this guarantee will be delivered to the delivery address of the original sales invoice.

Terms of Guarantee

The guarantee is deemed valid only on condition that the hardware has been mounted and operated correctly and in full accordance with the manufacturer's guidelines and that the following maintenance works have been carried out at least once a year:

- Function check & lubrication of all moving parts and locking points. Only cleaning agents that cannot affect the corrosion protection can be used.
- The surface is subject to guarantee only if it has not been affected by aggressive substances from the frame material, any paint finish or the environment.
- All size and weight limits as per the installation instructions must be observed. All security parts must be checked for tight fixing and wear regularly. If necessary, fixing screws must be re-tightened or replaced. Adjustment, parts replacement and hinging/unhinging of opening sashes are to be carried out by specialists only.

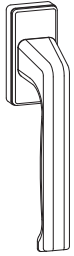
In the event of any claim, a written notification within the guarantee period and within 6 months of the product failure is required.

This extended guarantee is in addition to, not in place of, our standard terms and conditions of sale.

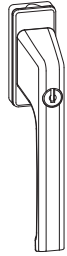
The terms of this guarantee are limited to the criteria above and do not cover any associated damages, assembly/disassembly costs or consequential loss claims.



DIRIGENT-F turn handles



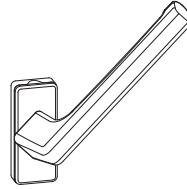
DIRIGENT-F [1]
Spindle 29 6-28072-29-0-*
Spindle 33 6-28072-33-0-*



DIRIGENT-F/Z [1]
Push lock,
keyed alike
Spindle 29 6-28075-29-0-*
Spindle 33 6-28075-33-0-*



MODENA-F/Z 100 Nm [1] [2]
for burglar-inhibiting win-
dows and balcony-doors
Spindle 29 6-34397-29-0-*
Spindle 33 6-34397-33-0-*



DIRIGENT-F/SP [1]
45° rest
for night ventilation
Spindle 29 6-28094-29-0-*
Spindle 33 6-28094-33-0-*



DIRIGENT-F/SG [1]
Spindle 50 8-00694-50-0-7



Rosette/F [1]
inside - flat
6-24913-00-0-*



DIRIGENT-F Tilt-First [1]
Spindle 29 6-31557-29-0-*
Spindle 33 6-31557-33-0-*



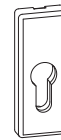
DIRIGENT-F [1]
w/o spindle
6-28072-00-0-*



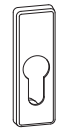
DIRIGENT-F/AF [1],
outside - flat
6-25223-00-0-*



DIRIGENT-F/A [1],
outside
6-25993-00-0-*



PZ rosette, inside [1]
square K-17205-02-0-*oval K-17204-02-0-*



PZ/A rosette, outside [1]
square 9-43605-02-0-*oval 9-43582-02-0-*



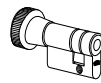
Square spindle [1]
ST 56-68 9-26874-56-0-1
ST 69-80 9-26874-69-0-1



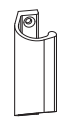
Operation both sides [1]
Countersunk screw M 5
ST 56-60 9-13255-60-0-1
ST 61-70 9-13255-70-0-1
ST 71-80 9-13255-80-0-1



Operation inside [1]
Countersunk screw M5x40
9-13255-40-0-1



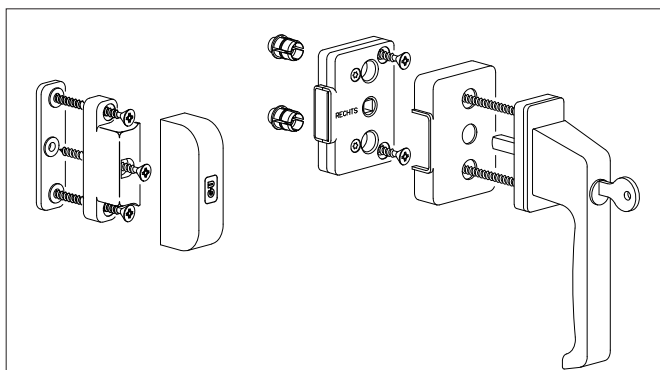
Night lock [1]
25 - 50 mm backsets
K-13282-00-0-*



Pull handle, outside [1]
9-22921-00-0-*

[1] = For further turn handles and accessories refer to catalogue section 'T'.
[2] = Tested to EN 1627:2011 for resistance to pull-off and twist-off attempts at 100 Nm.

GU face-fixed window lock



Face-fixed lock set
with DIRIGENT F/Z turn handle
EV 1 K-14662-00-0-11
dark brown K-14662-00-0-5
white K-14662-00-0-7

Contents
1 DIRIGENT F/Z turn handle, lockable
1 square spindle 7 x 75 mm
1 face-fixed lock
1 cover for face-fixed lock
2 sleeves for Ø 10 mm
2 sleeves for Ø 12 mm
1 strike box
1 strike box cover
1 packer 3 mm
1 packer 4 mm
1 packer 5 mm
1 packer 6 mm
7 Spax countersunk screws 5 x 55 mm

JET rebate opener



Cover



Rebate opener



Striker

Hardware requirements

JET rebate opener for timber windows

| Qty. | Description | PU | Order no. |
|------|---|----|----------------|
| 1 | JET rebate opener , overlap 90° | 10 | K-12280-90-0-* |
| 1 | JET rebate opener , overlap 94° | 10 | K-12280-04-0-* |
| | Drilling jig with clamping screw | 1 | 6-23590-00-0-3 |

Installation drawing 0-38343

JET sash brake



Frame part



Sash part

Hardware requirements

JET sash brake for PVC windows

| Qty. | Description | PU | Order no. |
|------|---|----|----------------|
| 1 | JET sash brake , sash overlap from 6° | 10 | K-13055-00-0-* |
| 1 | JET sash brake , straight sash overlap | 10 | K-13057-00-0-* |
| | Drilling jig | 1 | 6-24867-15 |

Installation drawing 0-40883



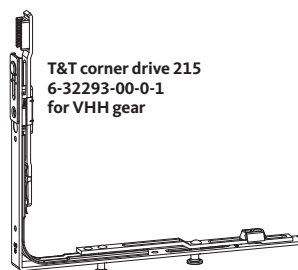
Corner drives



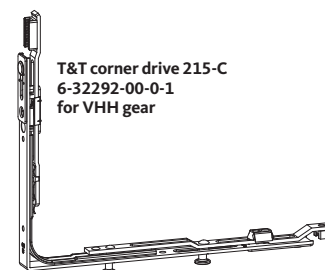
S corner drive
6-32238-00-0-1
1 LC



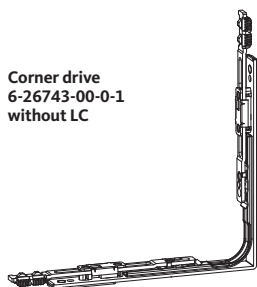
SLK corner drive
6-32224-00-0-1
1 LC



T&T corner drive 215
6-32293-00-0-1
for VHH gear



T&T corner drive 215-C
6-32292-00-0-1
for VHH gear



Corner drive
6-26743-00-0-1
without LC



Corner drive
G-22492-00-0-1
with 1 LC / 1 striker
for top of passive sash



Run-up block
9-41796-00-0-1
for centre locks
and corner drives



Run-up block
9-41796-00-0-1
for centre locks
and corner drives



Travel restrictor 90°
9-33432-00-0-1



Travel restrictor 90°
9-33432-00-0-1

Sash lifter, run-up stops



Mishandling device
with trigger
9 mm axis
LH 6-31657-09-L-1
RH 6-31657-09-R-1
13 mm axis
LH 6-31657-13-L-1
RH 6-31657-13-R-1



Sash lifter with M.D.
6-29987-00-0-1



Run-up stop
16 mm hardware groove
9-40477-00-0-1

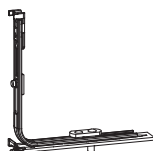


Run-up stop
ZH lever-operated gear
9-40149-00-0-1
EURO lever-operated
gear
9-40362-00-0-1

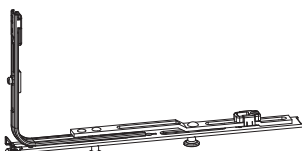


Run-up stop
for PVC profiles according
to table

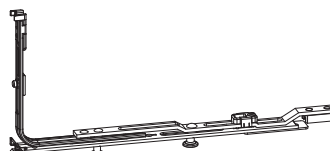
Optional parts for gears



T&T centre lock 116
6-33374-00-0-1



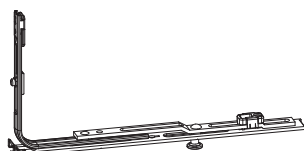
T&T centre lock 215
6-32012-00-0-1



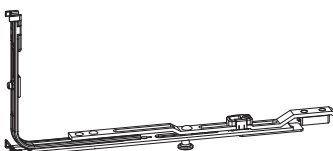
T&T centre lock 215-C
6-32013-00-0-1



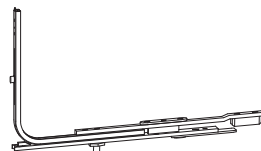
Travel restrictor 90°
9-33432-00-0-1



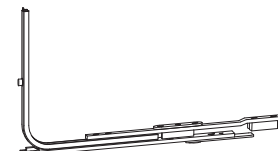
Centre lock 215
6-32010-00-0-1



Centre lock 215-C
6-32011-00-0-1



Sec centre lock 160.2-C
6-28604-00-0-1
Steel mushroom cam



Corner drive 160
6-26744-00-0-1



Fixing plate 40 mm
9-35697-00-0-1



Support plate 80 mm
w/o run-up block 9-39386-00-0-1
w. run-up block 9-42373-00-0-1



Run-up plate - ST 68 mm
9-35380-68-0-0



Run-up block
9-41796-00-0-1
for centre locks
and corner drives



Run-up block - 12 mm rebate
6-24201-01-0-1



D

Optional parts for gears

| | | | | | | |
|---|--|---|--|--|---|--|
| | | | | | | |
| FHH gear, 15BS SRH 1601-1850 mm F-plate 1690 mm HH 980 mm 6-33009-00-0-1 | Extension 500 6-32142-00-0-1 | Extension 250 8-00625-00-0-1 | Extension 130 RC 2 6-35926-00-0-1 | Sec extension 500 6-29858-00-0-1 Steel mushroom cam | Extension 500 G-21040-00-0-1 Striker 9-30256-00-0-1 alternatively: Sec striker E-19813-00-0-1 | Z gear connector, curved for arched windows 6-32951-00-0-1 |
| | | | | | | |
| FHH gear, 15BS SRH 250-349 mm F-plate 328 mm HH 120 mm G-22135-00-0-1 | Gear connector without LC - 90° 6-32624-00-0-1 | Gear connector without LC - 180° 6-32303-00-0-1 | Gear connector with LC - 90° 6-32104-00-0-1 | Gear connector with LC - 180° 6-32105-00-0-1 | Bottom gear connector with side-tilter SRH mm 480- 5906-32155-01-0-1 591- 9506-32155-02-0-1 951-24506-32155-03-0-1 | |
| | | | | | | |
| Minus backset gear G-20543-**-0-0 | Reversing gear pack 8-00680-00-0-1 | Rod guide 0-1198A-00-0-0 | Logo clip for gears E-21062-00-0-6 (fabricator logo on request) | | | |

** = profile-related size on request

Optional parts for double stays

| | |
|---|---|
| | |
| Additional stay | Night ventilation spring - SRW 500-750 mm - opening width approx. 21 mm |
| Tilt&Turn hardware 8-00734-00-0-1 | DIN LH 9-42768-33-L-1 |
| Tilt-First hardware G-45995-00-0-1 | DIN RH 9-42768-33-R-1 |
| Installation according to drawing | |
| Tilt&Turn hardware 0.43291.3 | Night ventilation spring - SRW 751-1600 mm - opening widths approx. 14 and 26 mm |
| Tilt-First hardware 0.43743.3 | 9-41750-63-0-1 |
| | |
| | Opening restrictor |
| | 8-00775-00-0-1 |
| | |
| | UNI-JET S-CONCEALED anti-slam device for low and wide sashes |
| | 9-38688-33-0-1 |



Optional parts for lever-operated gears

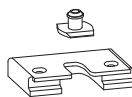


Striker, screw-on version for ZH lever-operated gear VHH with PC gear 25-50BS, VHH 9-43809-01-0-1



Sec striker, screw-on version for ZH lever-operated gear VHH with PC gear 25-50BS, VHH E-19813-00-0-1

Optional parts for security hardware



Passive anti-jemmy device
Mushroom cam depending on clearance:

12 mm 9-32103-00-0-1
13 mm 9-32102-00-0-1

Mushroom cam
6-25000-00-0-1

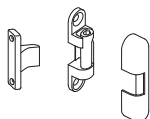


Anti-drill plate for gear 15
9-41749-00-0-0

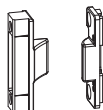


Anti-drill plate for gear 7,5
9-44868-00-0-0

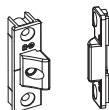
Centre closures



Centre closure with cover, for PVC systems according to sash overlap
0° K-14239-01-0-*
6° K-14239-02-0-*
15° K-14239-03-0-*
20° K-14239-04-0-*
* 5 = brown 7 = white



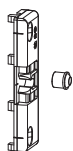
Centre closure, concealed
Sash part - PVC
Centre closure, sash part with hardware groove 9-40564-00-0-1
PVC frame parts according to table



Centre closure, concealed
Adjustable sash part - zinc
Centre closure, sash part with hardware groove 6-34229-00-0-1
PVC frame parts according to table

Bullet catches

PVC systems

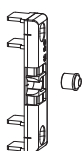


Bullt catch according to table [1]



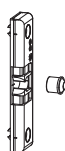
Packer according to table [1]

16 mm hardware groove



K-17228-00-0-1
1 bullet-catch
1 roller-cam

ZH lever-operated gear



K-17229-00-0-1
1 bullet-catch
1 roller-cam

[1] See table "Strikers, bullet catches and packers"

Shoot bolts

PVC systems



Shoot bolt bottom according to table [1]



Shoot bolt top according to table [1]



Packer for shoot bolt according to table [1]

16 mm hardware groove



bottom
6-22916-00-0-1

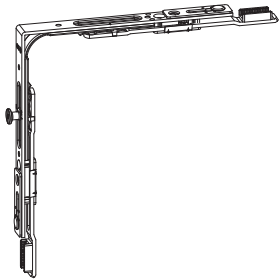


top
6-22917-00-0-1

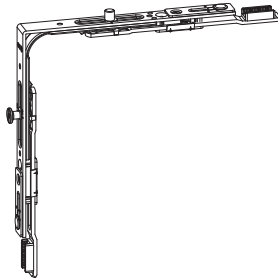
[1] See table "Strikers, shoot bolts and packers"



Accessories for alarm systems



Corner drive
6-32093-01-0-1
 – 1 mushroom cam
 – prepared for magnetic cam
 – opening & locking monitoring VdS grade C



Corner drive
6-32093-00-0-1
 – 1 mushroom cam, 1 magnetic cam
 – locking monitoring VdS grade C
 – opening & locking monitoring VdS grade B
 – locking monitoring with change-over contact



Extension 131
6-32826-01-0-1
 – prepared for magnetic cam
 – opening & locking monitoring VdS grade C

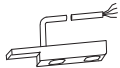


Extension 131
6-33822-00-0-1
 – 1 magnetic cam
 – locking monitoring VdS grade C
 – opening & locking monitoring VdS grade B
 – locking monitoring with change-over contact



Extension 500
6-32826-00-0-1
 – 1 magnetic cam
 – locking monitoring VdS grade C
 – opening & locking monitoring VdS grade B
 – locking monitoring with change-over contact

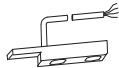
Extension 500
 croppable by 250 mm



Striker with locking monitoring set
K-14970--0-1**
 – including magnet
 – opening & locking monitoring VdS grade C

| Size ** | Cable length |
|---------|--------------|
| 02 | 4 m |
| 26 | 6 m |
| 30 | 10 m |

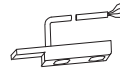
Installation drawing
 0-44851



Striker with locking monitoring set
K-14970--0-1**
 – locking monitoring VdS grade C
 – opening & locking monitoring VdS grade B

| Size ** | Cable length |
|---------|--------------|
| 00 | 4 m |
| 06 | 6 m |
| 10 | 10 m |

Installation drawing
 0-43463



Striker with locking monitoring set
K-14970--0-1**
 – with changeover contact w/o sabotage monitoring

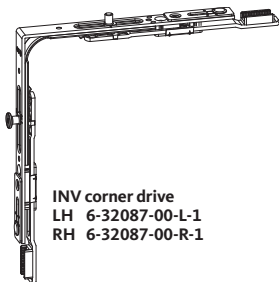
| Size ** | Cable length |
|---------|--------------|
| 01 | 4 m |

Installation drawing
 0-44518



Magnet set including fixings
K-17448-00-0-7
 – magnet for window sash monitoring (e.g. in combination with an extractor hood).
 – suitable for striker with locking monitoring set K-14970-01-0-1

INV integrated night-vent



INV corner drive
 LH 6-32087-00-L-1
 RH 6-32087-00-R-1

[1] Refer to table "Strikers, bullet-catches and packers"

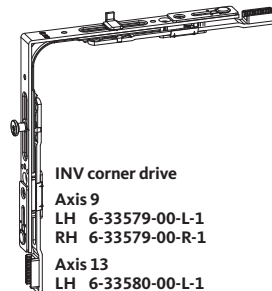


Packer
 acc. to table [1]

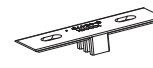


INV striker
 Euro-rebate 18x8 LH G-13261-00-L-1
 RH G-13261-00-R-1

Fixed opening width 1 step



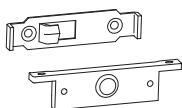
INV corner drive
 Axis 9
 LH 6-33579-00-L-1
 RH 6-33579-00-R-1
 Axis 13
 LH 6-33580-00-L-1
 RH 6-33580-00-R-1



INV striker
 acc. to table [1]

2 selectable retracting distances

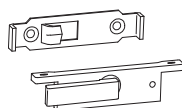
Face-fixed turn blockers



without key
 8-00823-00-0-1
 8-00823-00-0-7

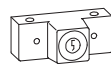


Key
 8-00821-00-0-0

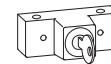


with key
 8-00824-00-0-1

Lockable turn blockers



without key
 K-13842-00-0-*
 Key, loose
 9-33585-00-0-0

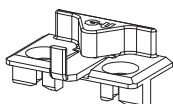


with key
 K-13841-00-0-*



Cover faceplate, 1100 mm
 9-29198-00-0-1

Striker for night-vent



Striker night-vent
 PVC systems Axis 9 6-35620-00-0-1
 Axis 13 6-34853-00-0-1
 Profine Innonova 70 6-34851-00-0-1
 for corner drive 6-32021-00-0-1

Installation drawing 0-45838

UNI-JET central locking – Tilt&Turn / Tilt-First hardware

1-sash – fixed handle height, 9 and 13 mm axis – basic security



Striker
acc. to profile

Stay guide

Hardware requirements depending on sash size for patterns A to E Tilt&Turn / Tilt-First hardware – 1-sash

| Qty. | Description | | | | | PU | Article no. |
|------|-------------|---|---|---|---------------------------------------|--------------------------------------|--|
| A | B | C | D | E | | | |
| 1 | 1 | 1 | 1 | 1 | Corner drive | 1 LC | 100 6-32021-00-0-1 |
| | | | | | Stay guide – Extension 500 [2] | | |
| | | | | | SRW [1] | F-plate LC | |
| 1 | 1 | | | | 280- 400 | 350 | 10 6-31512-03-0-1 |
| 1 | 1 | | | | 401- 500 | 350 | 10 6-31512-03-0-1 |
| 1 | 1 | | | 1 | 501- 750 | 590 | 10 6-31512-06-0-1 |
| 1 | 1 | 1 | 1 | 1 | 751- 950 | 840 1 | 10 6-31512-08-0-1 |
| 1 | 1 | 1 | 1 | 1 | 951-1200 | 1040 1 | 10 6-31512-10-0-1 |
| 1 | 1 | 1 | 1 | 1 | 1201-1450 | 1290 1 | 10 6-31512-12-0-1 |
| | | | 1 | 1 | 1451-1600 | 1290 1 | 10 6-31512-12-0-1 |
| | | | 1 | 1 | 1451-1600 | 500 1 | 10 6-32142-00-0-1 Extension 500 |
| | | | | | Gear | | FHH gear, 15BS FHH gear, 7.5BS |
| | | | | | SRH [1] [3] | F-plate LC FHH | |
| 1 | | 1 | | | 350- 450 | 363 155 | 10 G-22120-00-0-1 |
| 1 | | 1 | | | 451- 550 | 390 155 | 10 G-22121-00-0-1 G-22141-00-0-1 |
| 1 | | 1 | | | 551- 720 | 560 200 | 10 G-22122-00-0-1 G-22142-00-0-1 |
| 1 | 1 | 1 | 1 | | 721- 850 | 690 1 250 | 10 G-22123-00-0-1 G-22143-00-0-1 |
| 1 | 1 | 1 | 1 | | 851-1100 | 940 1 400 | 10 G-22124-00-0-1 G-22144-00-0-1 |
| | | | | 1 | 1101-1350 | 1190 1 500 | 10 G-22125-00-0-1 G-22145-00-0-1 |
| | | | | 1 | 1351-1600 | 1440 2 600 | 10 G-22127-00-0-1 G-22147-00-0-1 |
| | | | | 1 | 1601-1850 | 1690 3 600 | 10 G-22128-00-0-1 G-22148-00-0-1 |
| | | | | 1 | 1851-2100 | 1940 3 980 | 10 G-22133-00-0-1 G-22153-00-0-1 |
| | | | | 1 | 2101-2350 | 2190 4 980 | 10 G-22134-00-0-1 G-22154-00-0-1 |
| | | | | | T&T centre lock – bottom | | |
| | | | | | SRW | F-plate LC | |
| 1 | 1 | | | 1 | 280- 750 | 230 1 | 10 6-32012-00-0-1 |
| | | | 1 | 1 | 751- 950 | 530 2 | 10 6-32076-05-0-1 |
| | | | 1 | 1 | 951-1200 | 740 2 | 10 6-32076-07-0-1 |
| | | | 1 | 1 | 1201-1600 | 1050 3 | 10 6-32076-10-0-1 |
| | | | | | Centre lock – hinge side | | |
| | | | | | SRH [3] | F-plate LC | |
| 1 | | 1 | | | 721-1100 | 530 1 | 10 6-32075-05-0-1 |
| 1 | | 1 | | | 1101-1350 | 740 1 | 10 6-32075-07-0-1 |
| 1 | | 1 | | | 1351-1850 | 1190 2 | 10 6-32075-12-0-1 |
| | | | | 1 | 1851-2100 | 1450 2 | 10 6-32075-15-0-1 |
| | | | | 1 | 2101-2350 | 1890 3 | 10 6-32075-19-0-1 |
| 1 | 1 | 1 | 1 | 1 | Sec striker – tilt function | | 100 (acc. to profile) |
| | | | | | alternatively for Tilt-First: | | |
| 1 | 1 | 1 | 1 | 1 | Sec TF striker – tilt function | | 100 6-32668-00-0-1 |
| 1 | 1 | 1 | 1 | 1 | Packer | | 100 (acc. to profile) |
| | | | | | Strikers – standard | | 100 (acc. to profile) |
| | | | | | SRH / SRW | 280-750 751-1200 1201-1450 1451-1600 | |
| | | | | | 350- 720 | 1 3 4 5 | |
| | | | | | 721-1350 | 3 5 6 7 | |
| | | | | | 1351-1600 | 5 7 8 9 | |
| | | | | | 1601-2100 | 6 8 9 10 | |
| | | | | | 2101-2350 | 8 10 11 12 | |

[1] SRW 280-400, SRH 350-390 only with corner drive S 6-32238-00-0-1 and opening restrictor 8-00775-00-0-1

SRW 280-400, SRH 350-450 only with corner drive S 6-32238-00-0-1

[2] Extension 500 to be cropped to 250 mm

[3] SRH 280-350 and SRH 2351-2800: refer to installation drawing

Corner drive
Striker
acc. to profile

FHH gear, 7.5BS

FHH gear, 15BS
Striker
acc. to profile

Centre lock
Striker
acc. to profile

T&T centre lock

Sec striker
acc. to profile
– tilt function

Tilt&Turn sash

Tilt-First sash, packer

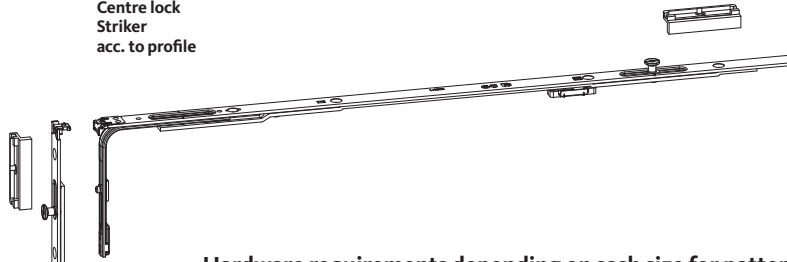
Striker
acc. to profile

UNI-JET central locking – Turn-Only hardware

1-sash – fixed handle height, 9 and 13 mm axis – basic security



Centre lock
Striker
acc. to profile



Hardware requirements depending on sash size for patterns A to E Turn-Only hardware – 1-sash

| Qty. | | | | | Description | PU | Article no. |
|------|---|---|---|---|---|-----|--|
| A | B | C | D | E | | | |
| 1 | 1 | 1 | 1 | 1 | Gear connector 90° 1 LC | 100 | 6-32104-00-0-1 |
| | | | | | Gear | | FHH gear, 15BS FHH gear, 7.5BS |
| | | | | | SRH [1] [3] F-plate LC FHH | | |
| 1 | | 1 | | | 350- 450 363 155 | 10 | G-22120-00-0-1 |
| 1 | | 1 | | | 451- 550 390 155 | 10 | G-22121-00-0-1 G-22141-00-0-1 |
| 1 | | 1 | | | 551- 720 560 200 | 10 | G-22122-00-0-1 G-22142-00-0-1 |
| 1 | 1 | 1 | 1 | | 721- 850 690 1 250 | 10 | G-22123-00-0-1 G-22143-00-0-1 |
| 1 | 1 | 1 | 1 | | 851-1100 940 1 400 | 10 | G-22124-00-0-1 G-22144-00-0-1 |
| | 1 | | 1 | | 1101-1350 1190 1 500 | 10 | G-22125-00-0-1 G-22145-00-0-1 |
| | 1 | | 1 | | 1351-1600 1440 2 600 | 10 | G-22127-00-0-1 G-22147-00-0-1 |
| | | 1 | 1 | | 1601-1850 1690 3 600 | 10 | G-22128-00-0-1 G-22148-00-0-1 |
| | | | | 1 | 1851-2100 1940 3 980 | 10 | G-22133-00-0-1 G-22153-00-0-1 |
| | | | | 1 | 2101-2350 2190 4 980 | 10 | G-22134-00-0-1 G-22154-00-0-1 |
| | | | | | Centre lock – top | | |
| | | | | | SRW F-plate LC | | |
| | | 1 | 1 | | 751- 950 530 1 | 10 | 6-32075-05-0-1 |
| | | 1 | 1 | | 951-1200 740 1 | 10 | 6-32075-07-0-1 |
| | | 1 | 1 | | 1201-1600 1050 2 | 10 | 6-32075-10-0-1 |
| | | | | | Sec centre lock – bottom | | |
| | | | | | SRW F-plate LC | | |
| 1 | 1 | | | 1 | 280- 750 230 1 | 10 | 6-32010-00-0-1 |
| | | 1 | 1 | | 751- 950 530 2 | 10 | 6-32008-05-0-1 |
| | | 1 | 1 | | 951-1200 740 2 | 10 | 6-32008-07-0-1 |
| | | 1 | 1 | | 1201-1600 1050 3 | 10 | 6-32008-10-0-1 |
| 1 | 1 | 1 | 1 | 1 | Sec striker | 100 | (acc. to profile) |
| | | | | | Strikers – standard | 100 | (acc. to profile) |
| | | | | | SRH / SRW 280-750 751-1200 1201-1600 | | |
| | | | | | 350- 720 1 3 5 | | |
| | | | | | 721-1350 2 4 6 | | |
| | | | | | 1351-1600 3 5 7 | | |
| | | | | | 1601-2100 4 6 8 | | |
| | | | | | 2101-2350 5 7 9 | | |

[1] SRH 350-450 only with corner drive S 6-32238-00-0-1

[3] SRH 280-350 and SRH 2351-2800: refer to installation drawing

Gear connector 90°
Striker
acc. to profile

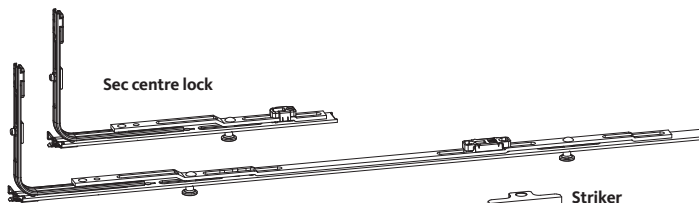


FHH gear, 7.5BS

FHH gear, 15BS
Striker
acc. to profile



Sec centre lock

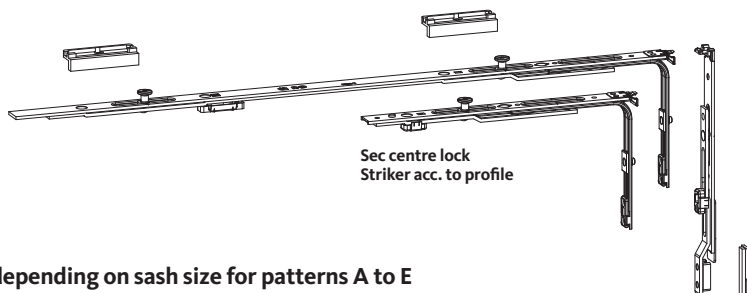


Sec striker
acc. to profile

Striker
acc. to profile

UNI-JET central locking – ZH lever-operated hardware

2-sash – fixed handle height, 9 and 13 mm axis – basic security



Sec centre lock
Striker acc. to profile

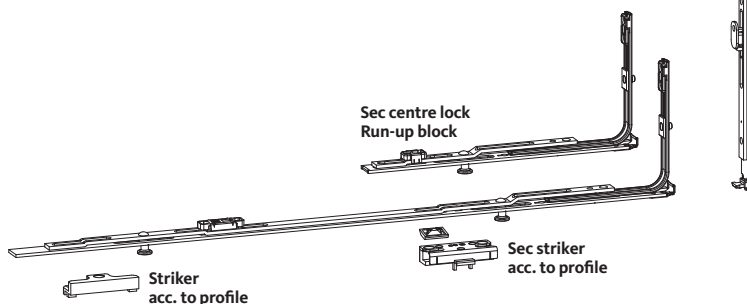
Hardware requirements depending on sash size for patterns A to E ZH lever-operated hardware – 2-sash

| Qty. | Description | | | | | PU | Article no. |
|-------------------------------|-------------|---|---|---|----------------------------|------------|----------------|
| A | B | C | D | E | | | |
| 1 | 1 | 1 | 1 | 1 | Gear connector 180° | 100 | 6-32303-00-0-1 |
| ZH lever-operated gear | | | | | | | |
| | | | | | SRH [3] | F-plate LC | FHH |
| 1 | 1 | | | | 470- 720 | 560 | 230 |
| 1 | 1 | 1 | 1 | | 721- 850 | 690 | 1 230 |
| 1 | 1 | 1 | 1 | | 851-1100 | 940 | 1 230 |
| | 1 | 1 | | | 1101-1350 | 1190 | 1 230 |
| | 1 | 1 | | | 1351-1600 | 1440 | 2 230 |
| | 1 | 1 | | | 1601-1850 | 1690 | 3 230 |
| | | 1 | | | 1851-2100 | 1940 | 3 516 |
| | | 1 | | | 2101-2350 | 2190 | 4 516 |
| Sec centre lock | | | | | | | |
| | | | | | SRW | F-plate LC | |
| 2 | 2 | | | 2 | 280- 750 | 230 | 1 |
| | | 2 | 2 | | 751- 950 | 530 | 2 |
| | | 2 | 2 | | 951-1200 | 740 | 2 |
| | | 2 | 2 | | 1201-1600 | 1050 | 3 |
| 1 | 1 | 1 | 1 | 1 | Run-up block | | |
| | | | | | | | 100 |
| 1 | 1 | 1 | 1 | 1 | Sec striker | | |
| | | | | | | | 100 |
| | | | | | Strikers – standard | | |
| | | | | | SRH / SRW | 280-750 | 751-1200 |
| | | | | | | 1201-1600 | |
| | | | | | 470-2350 | 1 | 3 5 |

Gear connector
180°

ZH lever-
operated gear

[3] SRH 2351-2800: refer to installation drawing



Sec centre lock
Run-up block

Striker
acc. to profile

Sec striker
acc. to profile

UNI-JET central locking – Tilt&Turn / Tilt-First hardware



2-sash – fixed handle height, 9 and 13 mm axis – basic security



D

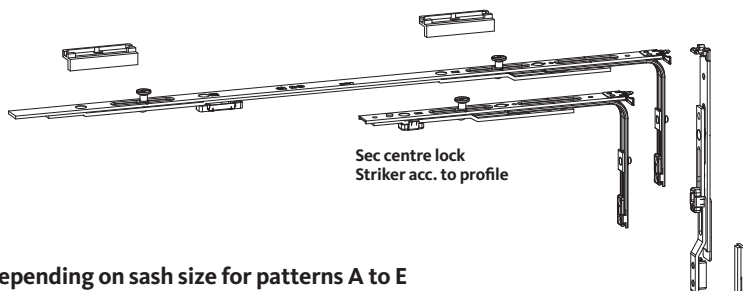
**Hardware requirements depending on sash size for patterns A to E
Tilt&Turn / Tilt-First hardware – 2-sash**

| Qty. | | | | | Description | PU | Article no. | | |
|------|---|---|---|---|---------------------------------------|------------|--|-----------|-----------|
| A | B | C | D | E | | | | | |
| 1 | 1 | 1 | 1 | 1 | Corner drive | 1 LC | 100 6-32021-00-0-1 | | |
| | | | | | Stay guide – Extension 500 [2] | | | | |
| | | | | | SRW | F-plate LC | | | |
| 1 | 1 | | | | 401- 500 | 350 | 10 6-31512-03-0-1 | | |
| 1 | 1 | | | 1 | 501- 750 | 590 | 10 6-31512-06-0-1 | | |
| 1 | 1 | 1 | 1 | 1 | 751- 950 | 840 1 | 10 6-31512-08-0-1 | | |
| 1 | 1 | 1 | 1 | 1 | 951-1200 | 1040 1 | 10 6-31512-10-0-1 | | |
| 1 | 1 | 1 | 1 | | 1201-1450 | 1290 1 | 10 6-31512-12-0-1 | | |
| | | | | 1 | 1451-1600 | 1290 1 | 10 6-31512-12-0-1 | | |
| | | | 1 | 1 | 1451-1600 | 500 1 | 10 6-32142-00-0-1 Extension 500 | | |
| | | | | | Gear | | FHH gear, 15BS FHH gear, 7.5BS | | |
| | | | | | SRH [3] | F-plate LC | FHH | | |
| 1 | | 1 | | | 451- 550 | 390 | 155 10 G-22121-00-0-1 | | |
| 1 | | 1 | | | 551- 720 | 560 | 200 10 G-22122-00-0-1 | | |
| 1 | 1 | 1 | 1 | | 721- 850 | 690 1 | 250 10 G-22123-00-0-1 | | |
| 1 | 1 | 1 | 1 | | 851-1100 | 940 1 | 400 10 G-22124-00-0-1 | | |
| | | | 1 | 1 | 1101-1350 | 1190 1 | 500 10 G-22125-00-0-1 | | |
| | | | 1 | 1 | 1351-1600 | 1440 2 | 600 10 G-22127-00-0-1 | | |
| | | | 1 | 1 | 1601-1850 | 1690 3 | 600 10 G-22128-00-0-1 | | |
| | | | | 1 | 1851-2100 | 1940 3 | 980 10 G-22133-00-0-1 | | |
| | | | | 1 | 2101-2350 | 2190 4 | 980 10 G-22134-00-0-1 | | |
| | | | | | T&T centre lock – bottom | | | | |
| | | | | | SRW | F-plate LC | | | |
| 1 | 1 | | | 1 | 401- 750 | 230 1 | 10 6-32012-00-0-1 | | |
| | | 1 | 1 | | 751- 950 | 530 2 | 10 6-32076-05-0-1 | | |
| | | 1 | 1 | | 951-1200 | 740 2 | 10 6-32076-07-0-1 | | |
| | | 1 | 1 | | 1201-1600 | 1050 3 | 10 6-32076-10-0-1 | | |
| | | | | | Centre lock – hinge side | | | | |
| | | | | | SRH [3] | F-plate LC | | | |
| | | 1 | 1 | | 721-1100 | 530 1 | 10 6-32075-05-0-1 | | |
| | | 1 | 1 | | 1101-1350 | 740 1 | 10 6-32075-07-0-1 | | |
| | | 1 | 1 | | 1351-1850 | 1190 2 | 10 6-32075-12-0-1 | | |
| | | | 1 | 1 | 1851-2100 | 1450 2 | 10 6-32075-15-0-1 | | |
| | | | 1 | 1 | 2101-2350 | 1890 3 | 10 6-32075-19-0-1 | | |
| 1 | 1 | 1 | 1 | 1 | Sec striker – tilt function | | 100 (acc. to profile) | | |
| | | | | | alternatively for Tilt-First: | | | | |
| 1 | 1 | 1 | 1 | 1 | Sec TF striker – tilt function | | 100 6-32668-00-0-1 | | |
| 1 | 1 | 1 | 1 | 1 | Packer | | 100 (acc. to profile) | | |
| | | | | | Strikers – standard | | 100 (acc. to profile) | | |
| | | | | | SRH / SRW | 401-750 | 751-1200 | 1201-1450 | 1451-1600 |
| | | | | | 451- 720 | 1 | 3 | 4 | 5 |
| | | | | | 721-1350 | 2 | 4 | 5 | 6 |
| | | | | | 1351-2100 | 3 | 5 | 6 | 7 |
| | | | | | 2101-2350 | 4 | 6 | 7 | 8 |

[2] Extension 500 to be cropped to 250 mm
[3] SRH 2351-2800: refer to installation drawing

UNI-JET central locking – ZH lever-operated hardware

2-sash – fixed handle height, 9 and 13 mm axis – basic security

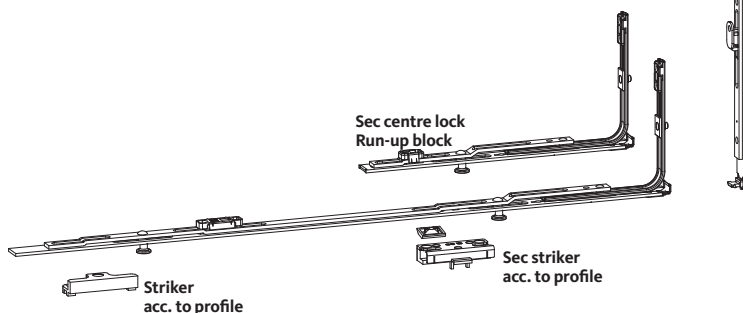


Hardware requirements depending on sash size for patterns A to E ZH lever-operated hardware – 2-sash

| Qty. | Description | | | | | PU | Article no. |
|-------------------------------|-------------|---|---|---|----------------------------|------------|----------------|
| A | B | C | D | E | | | |
| 1 | 1 | 1 | 1 | 1 | Gear connector 180° | 100 | 6-32303-00-0-1 |
| ZH lever-operated gear | | | | | | | |
| | | | | | SRH [3] | F-plate LC | FHH |
| 1 | 1 | | | | 470- 720 | 560 | 230 |
| 1 | 1 | 1 | 1 | | 721- 850 | 690 | 1 230 |
| 1 | 1 | 1 | 1 | | 851-1100 | 940 | 1 230 |
| | 1 | 1 | | | 1101-1350 | 1190 | 1 230 |
| | 1 | 1 | | | 1351-1600 | 1440 | 2 230 |
| | 1 | 1 | | | 1601-1850 | 1690 | 3 230 |
| | | 1 | | | 1851-2100 | 1940 | 3 516 |
| | | 1 | | | 2101-2350 | 2190 | 4 516 |
| Sec centre lock | | | | | | | |
| | | | | | SRW | F-plate LC | |
| 2 | 2 | | | 2 | 280- 750 | 230 | 1 |
| | | 2 | 2 | | 751- 950 | 530 | 2 |
| | | 2 | 2 | | 951-1200 | 740 | 2 |
| | | 2 | 2 | | 1201-1600 | 1050 | 3 |
| 1 | 1 | 1 | 1 | 1 | Run-up block | | |
| 1 | 1 | 1 | 1 | 1 | Sec striker | | |
| | | | | | Strikers – standard | | |
| | | | | | SRH / SRW | 280-750 | 751-1200 |
| | | | | | | 1201-1600 | |
| | | | | | 470-2350 | 1 | 3 5 |

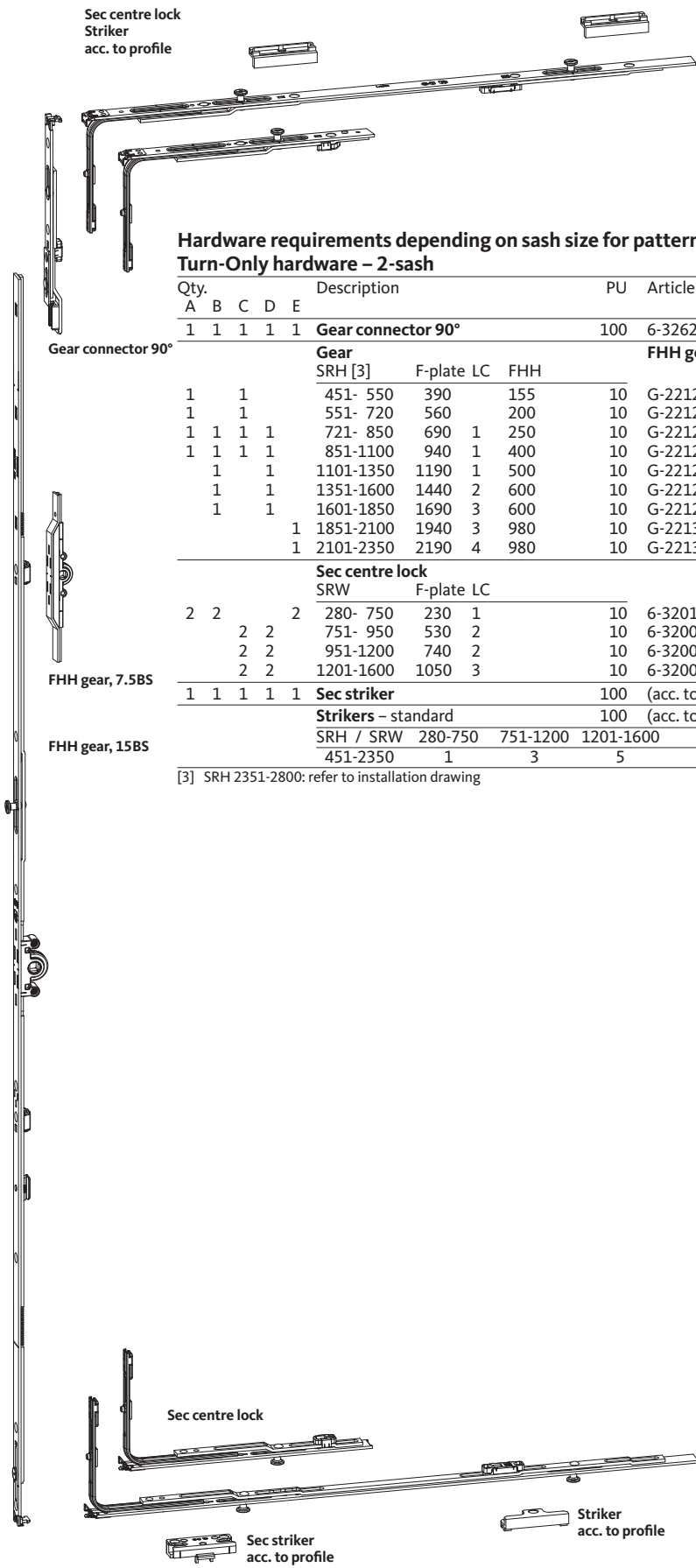
[3] SRH 2351-2800: refer to installation drawing

ZH lever-operated gear



UNI-JET central locking – Turn-Only hardware

2-sash – fixed handle height, 9 and 13 mm axis – basic security



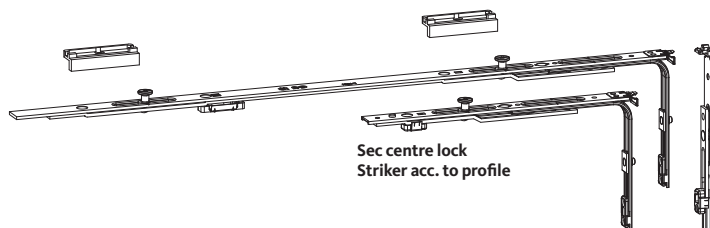
Hardware requirements depending on sash size for patterns A to E Turn-Only hardware – 2-sash

| Qty. | Description | | | | | PU | Article no. | | | | |
|------|-------------|---|---|---|----------------------------|---------|--|-----------|-----|-------------------|----------------|
| A | B | C | D | E | | | | | | | |
| 1 | 1 | 1 | 1 | 1 | Gear connector 90° | 100 | 6-32624-00-0-1 | | | | |
| | | | | | Gear | | FHH gear, 15BS FHH gear, 7.5BS | | | | |
| | | | | | SRH [3] | F-plate | LC | FHH | | | |
| 1 | | 1 | | | 451- 550 | 390 | | 155 | 10 | G-22121-00-0-1 | |
| 1 | | 1 | | | 551- 720 | 560 | | 200 | 10 | G-22122-00-0-1 | |
| 1 | 1 | 1 | 1 | | 721- 850 | 690 | 1 | 250 | 10 | G-22123-00-0-1 | |
| 1 | 1 | 1 | 1 | | 851-1100 | 940 | 1 | 400 | 10 | G-22124-00-0-1 | G-22144-00-0-1 |
| | | 1 | 1 | | 1101-1350 | 1190 | 1 | 500 | 10 | G-22125-00-0-1 | G-22145-00-0-1 |
| | | 1 | 1 | | 1351-1600 | 1440 | 2 | 600 | 10 | G-22127-00-0-1 | G-22147-00-0-1 |
| | | 1 | 1 | | 1601-1850 | 1690 | 3 | 600 | 10 | G-22128-00-0-1 | G-22148-00-0-1 |
| | | | | 1 | 1851-2100 | 1940 | 3 | 980 | 10 | G-22133-00-0-1 | G-22153-00-0-1 |
| | | | | 1 | 2101-2350 | 2190 | 4 | 980 | 10 | G-22134-00-0-1 | G-22154-00-0-1 |
| | | | | | Sec centre lock | | | | | | |
| | | | | | SRW | F-plate | LC | | | | |
| 2 | 2 | | | 2 | 280- 750 | 230 | 1 | | 10 | 6-32010-00-0-1 | |
| | | 2 | 2 | | 751- 950 | 530 | 2 | | 10 | 6-32008-05-0-1 | |
| | | 2 | 2 | | 951-1200 | 740 | 2 | | 10 | 6-32008-07-0-1 | |
| | | 2 | 2 | | 1201-1600 | 1050 | 3 | | 10 | 6-32008-10-0-1 | |
| 1 | 1 | 1 | 1 | 1 | Sec striker | | | | 100 | (acc. to profile) | |
| | | | | | Strikers – standard | | | | 100 | (acc. to profile) | |
| | | | | | SRH / SRW | 280-750 | 751-1200 | 1201-1600 | | | |
| | | | | | 451-2350 | 1 | 3 | 5 | | | |

[3] SRH 2351-2800: refer to installation drawing

UNI-JET central locking – ZK lever-operated hardware

2-sash – fixed handle height, 9 and 13 mm axis – basic security



Sec centre lock
Striker acc. to profile

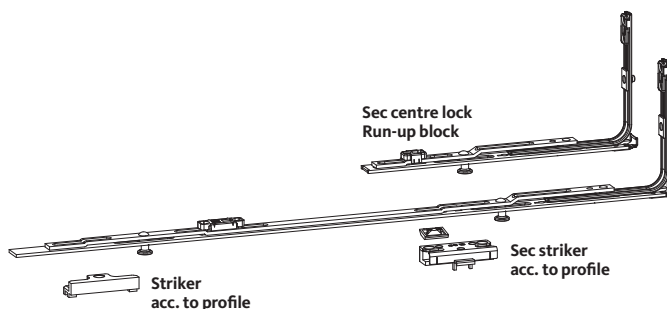
Hardware requirements depending on sash size for patterns A to E ZK lever-operated hardware – 2-sash

| Qty. | | Description | | | PU | Article no. |
|-------------------------------|---|-------------|------------|----------|---------------------------------|-----------------------|
| A | B | C | D | E | | |
| 1 | 1 | 1 | 1 | 1 | Gear connector 180° | 100 6-32303-00-0-1 |
| ZK lever-operated gear | | | | | | |
| | | SRH [3] | F-plate LC | FHH | | |
| 1 | | 1 | | | 470- 720 560 230 | 10 G-22110-00-0-1 |
| 1 | 1 | 1 | 1 | | 721- 850 690 1 230 | 10 G-22111-00-0-1 |
| 1 | 1 | 1 | 1 | | 851-1100 940 1 230 | 10 G-22112-00-0-1 |
| | 1 | 1 | | | 1101-1350 1190 1 230 | 10 G-22113-00-0-1 |
| | 1 | 1 | | | 1351-1600 1440 2 230 | 10 G-22114-00-0-1 |
| | 1 | 1 | | | 1601-1850 1690 3 230 | 10 G-22115-00-0-1 |
| | | 1 | | | 1851-2100 1940 3 516 | 10 G-22116-00-0-1 |
| | | 1 | | | 2101-2350 2190 4 516 | 10 G-22117-00-0-1 |
| 1 | 1 | 1 | 1 | 1 | ZK lever-operator | 10 6-24977-00-0-1 |
| 1 | 1 | 1 | 1 | 1 | Packer ZK lever-operator | 10 (acc. to profile) |
| Sec centre lock | | | | | | |
| | | SRW | F-plate LC | | | |
| 2 | 2 | | 2 | | 280- 750 230 1 | 10 6-32010-00-0-1 |
| | | 2 | 2 | | 751- 950 530 2 | 10 6-32008-05-0-1 |
| | | 2 | 2 | | 951-1200 740 2 | 10 6-32008-07-0-1 |
| | | 2 | 2 | | 1201-1600 1050 3 | 10 6-32008-10-0-1 |
| 1 | 1 | 1 | 1 | 1 | Run-up block | 100 9-41796-00-0-1 |
| 1 | 1 | 1 | 1 | 1 | Sec striker | 100 (acc. to profile) |
| Strikers – standard | | | | | | |
| | | SRH / SRW | 280-750 | 751-1200 | 1201-1600 | |
| | | 470- 720 | 1 | 3 | 5 | |
| | | 721-1350 | 2 | 4 | 6 | |
| | | 1351-1600 | 3 | 5 | 7 | |
| | | 1601-2100 | 4 | 6 | 8 | |
| | | 2101-2350 | 5 | 7 | 9 | |

[3] SRH 2351-2800: refer to installation drawing

Gear connector
180°

ZK lever-
operated gear



Sec centre lock
Run-up block

Packer
acc. to
profile

ZK lever-
operator

Striker
acc. to profile

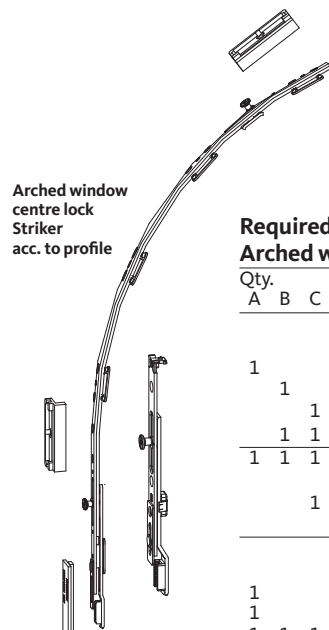
Sec striker
acc. to profile

UNI-JET central locking – Arched window hardware

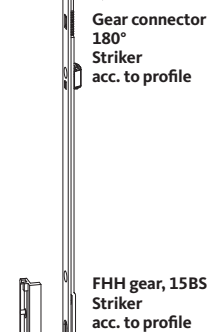
1-sash – fixed handle height, 9 and 13 mm axis – basic security



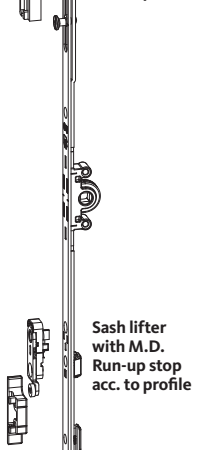
D



Arched window centre lock Striker acc. to profile



Gear connector 180° Striker acc. to profile

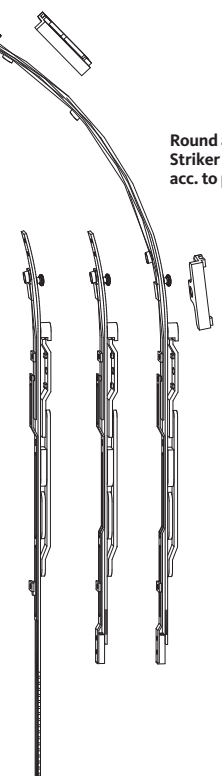


FHH gear, 15BS Striker acc. to profile

Sash lifter with M.D. Run-up stop acc. to profile

Required hardware according to size of sash – schemes A to C Arched window hardware – 1-sash

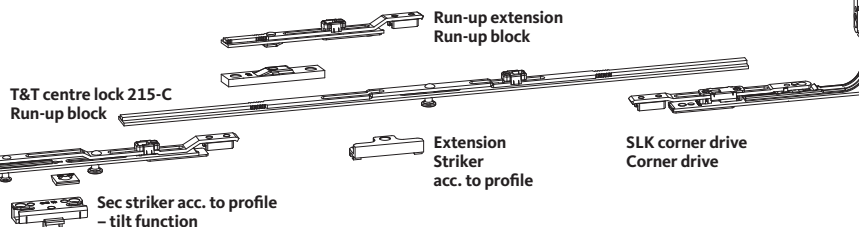
| Qty. | Description | | | PU | Article no. | |
|-------------------------------|-------------|--|-------------------|------------|-------------------|----------------|
| | A | B | C | | | |
| Arched stay | | | | | | |
| 1 | 1 | SRHA [1] | SRW LC | | | |
| | | 380- 580 | - 620 1 | 10 | 6-30369-00-0-1 | |
| | | 581-2090 | - 620 1 | 10 | 6-30369-01-0-1 | |
| | 1 | 661-2090 | 621-1250 2 | 10 | 6-30369-02-0-1 | |
| 1 | 1 | Support plate | SRHA 581-2090 | 100 | 9-39782-00-0-1 | |
| 1 | 1 | Gear connector 180° | SRW 455-910 1 LC | 100 | 6-32105-00-0-1 | |
| 1 | 1 | Arched window centre lock | SRW 911-1250 2 LC | 10 | 6-32952-00-0-1 | |
| FHH gear, 15BS | | | | | | |
| 1 | 1 | SRHA [1] | F-plate LC FHH | | | |
| | | 380- 450 | 363 155 | 10 | G-22120-00-0-1 | |
| | 1 | 451- 550 | 390 155 | 10 | G-22121-00-0-1 | |
| | 1 | 1 | 551- 720 | 560 200 | 10 | G-22122-00-0-1 |
| | 1 | 1 | 721- 850 | 690 1 250 | 10 | G-22123-00-0-1 |
| | 1 | 1 | 851-1100 | 940 1 400 | 10 | G-22124-00-0-1 |
| | 1 | 1 | 1101-1350 | 1190 1 500 | 10 | G-22125-00-0-1 |
| | 1 | 1 | 1351-1600 | 1440 2 600 | 10 | G-22127-00-0-1 |
| | 1 | 1 | 1601-1850 | 1690 3 600 | 10 | G-22128-00-0-1 |
| | 1 | 1 | 1851-2090 | 1940 3 980 | 10 | G-22133-00-0-1 |
| 1 | 1 | Sash lifter w. M.D. | SRHA 551-2090 | 100 | 6-29987-00-0-1 | |
| 1 | 1 | Run-up stop | SRHA 551-2090 | 100 | (acc. to profile) | |
| Extension – hinge side | | | | | | |
| 1 | 1 | SRHA | F-plate LC | | | |
| | | 581- 790 | 415 | 10 | 6-26741-00-0-1 | |
| | | 791-1200 | 750 1 | 10 | 6-32781-01-0-1 | |
| | | 1201-1590 | 1130 1 | 10 | 6-32781-02-0-1 | |
| | 1 | 1591-2090 | 1630 1 | 10 | 6-32781-03-0-1 | |
| 1 | 1 | T&T centre lock 215-C | | 10 | 6-32013-00-0-1 | |
| 1 | 1 | Run-up block | SRW 455-590 | 100 | 9-41796-00-0-1 | |
| Extension – bottom | | | | | | |
| 1 | 1 | SRW [2] | F-plate LC | | | |
| | | 455- 590 | 75-210 | | (Faceplate/rod) | |
| | | 591- 630 | 80-120 | | (Faceplate/rod) | |
| | | 1 | 631- 840 | 415 | 10 | 6-26741-00-0-1 |
| | 1 | 841-1250 | 750 1 | 10 | 6-32781-01-0-1 | |
| 1 | 1 | Run-up block extension | | 100 | 6-33711-00-0-1 | |
| 1 | 1 | Run-up block | | 100 | (acc. to profile) | |
| 1 | 1 | Packer | | 100 | (acc. to profile) | |
| 1 | 1 | SRW | 591-1250 | | | |
| 1 | 1 | SLK corner drive [1][3] | SRHA 380-470 | 100 | 6-32224-00-0-1 | |
| 1 | 1 | Corner drive from SRHA 471- [3] | | 100 | 6-26743-00-0-1 | |
| 1 | 1 | Sec striker – tilt function | | 100 | (acc. to profile) | |
| Strikers – standard | | | | | | |
| | | SRHA / SRW | 455-620 | 621-840 | 841-910 | 911-1250 |
| | | | 380- 720 | 2 3 | 4 5 | |
| | | | 721- 790 | 3 4 | 5 6 | |
| | | | 791-1350 | 4 5 | 6 7 | |
| | | | 1351-1600 | 5 6 | 7 8 | |
| | | | 1601-2090 | 6 7 | 8 9 | |



Round arch stay arm Striker acc. to profile

Support plate

Extension Striker acc. to profile



T&T centre lock 215-C Run-up block

Run-up extension Run-up block

Extension Striker acc. to profile

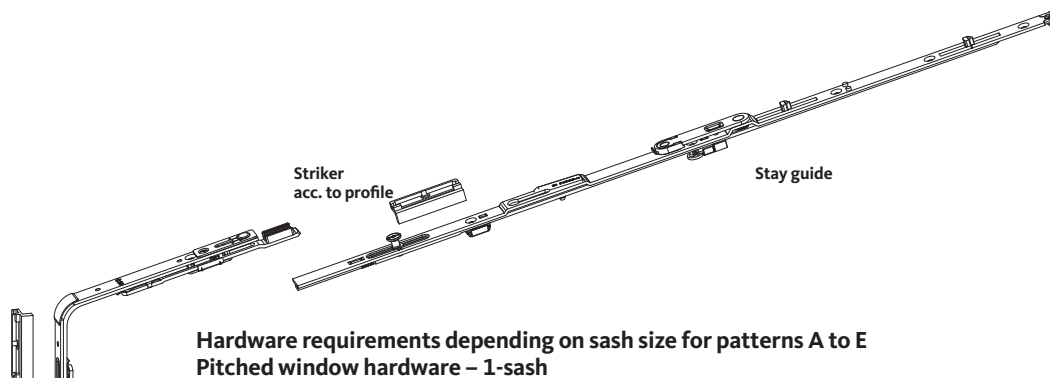
SLK corner drive Corner drive

Sec striker acc. to profile – tilt function

[1] SRHA 380-470 only with SLK corner drive
 [2] SRW 455-590 only without run-up block extension
 [3] Corner drive only in combination with drill-in hinge. Alternatively: rebate corner-drive hinge.

UNI-JET central locking – Pitched window hardware

1-sash – fixed handle height, 9 and 13 mm axis – basic security



Striker
acc. to profile

Stay guide

Pitched corner
drive
Striker
acc. to profile

FHH gear, 15BS
Striker
acc. to profile

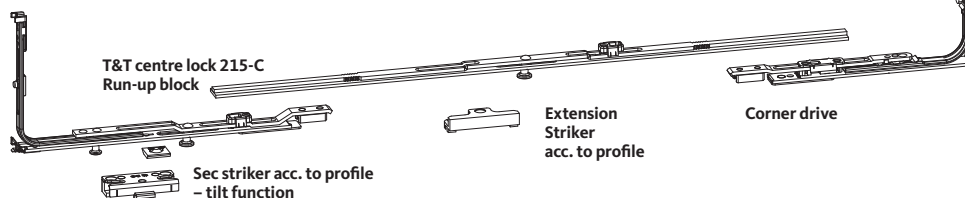
Gear connector 180°
Striker
acc. to profile

Extension
Striker
acc. to profile

Hardware requirements depending on sash size for patterns A to E Pitched window hardware – 1-sash

| Qty. | | | | | Description | PU | Article no. | |
|------|---|---|---|---|------------------------------------|---------|-----------------------|----------|
| A | B | C | D | E | | | | |
| 1 | 1 | 1 | 1 | 1 | Pitched corner drive 1 LC | 100 | 6-32086-00-0-1 | |
| | | | | | Stay guide | | | |
| | | | | | SRWP | | | |
| | | | | | F-plate LC | | | |
| 1 | 1 | | | | 455- 510 | 350 | 10 6-31512-03-0-1 | |
| 1 | 1 | | | | 511- 760 | 590 | 10 6-31512-06-0-1 | |
| | | 1 | 1 | 1 | 761- 960 | 840 1 | 10 6-31512-08-0-1 | |
| | | 1 | 1 | 1 | 961-1210 | 1040 1 | 10 6-31512-10-0-1 | |
| | | 1 | 1 | 1 | 1211-1460 | 1290 1 | 10 6-31512-12-0-1 | |
| | | | | | FHH gear, 15BS | | | |
| | | | | | SRHP | | | |
| | | | | | F-plate LC | | | |
| | | | | | FHH | | | |
| 1 | 1 | | | | 451- 550 | 390 | 155 10 G-22121-00-0-1 | |
| 1 | 1 | | | | 551- 720 | 560 | 200 10 G-22122-00-0-1 | |
| 1 | 1 | | | | 721- 850 | 690 1 | 250 10 G-22123-00-0-1 | |
| 1 | 1 | | | | 851-1100 | 940 1 | 400 10 G-22124-00-0-1 | |
| | 1 | 1 | | | 1101-1350 | 1190 1 | 500 10 G-22125-00-0-1 | |
| | 1 | 1 | | | 1351-1600 | 1440 2 | 600 10 G-22127-00-0-1 | |
| | 1 | 1 | | | 1601-1850 | 1690 3 | 600 10 G-22128-00-0-1 | |
| | | | 1 | | 1851-2100 | 1940 3 | 980 10 G-22133-00-0-1 | |
| | | | 1 | | 2101-2350 | 2190 4 | 980 10 G-22134-00-0-1 | |
| | | | | | Centre lock – hinge side | | | |
| | | | | | SRHP | | | |
| | | | | | F-plate LC | | | |
| 1 | 1 | | | | 581- 790 | 415 | 10 6-26741-00-0-1 | |
| 1 | 1 | | | | 791-1200 | 750 1 | 10 6-32781-01-0-1 | |
| 1 | 1 | | | | 1201-1590 | 1130 1 | 10 6-32781-02-0-1 | |
| | | | 1 | | 1591-2350 | 1630 1 | 10 6-32781-03-0-1 | |
| 1 | 1 | 1 | 1 | | Gear connector 180° 1 LC | | 100 6-32105-00-0-1 | |
| 1 | 1 | 1 | 1 | 1 | T&T centre lock 215-C | | 10 6-32013-00-0-1 | |
| 1 | 1 | 1 | 1 | 1 | Run-up block | | 100 9-41796-00-0-1 | |
| | | | | | Centre lock – bottom | | | |
| | | | | | SRW | | | |
| | | | | | F-plate LC | | | |
| 1 | | 1 | | | 455- 500 | 75-120 | (Faceplate/rod) | |
| 1 | | 1 | | | 501- 770 | 415 | 10 6-26741-00-0-1 | |
| | 1 | 1 | 1 | | 771-1070 | 750 1 | 10 6-32781-01-0-1 | |
| | 1 | 1 | 1 | | 1071-1260 | 1130 1 | 10 6-32781-02-0-1 | |
| 1 | 1 | 1 | | | Corner drive [1] | | 100 6-26743-00-0-1 | |
| 1 | 1 | 1 | 1 | 1 | Sec striker – tilt function | | 100 (acc. to profile) | |
| | | | | | Strikers – standard | | 100 (acc. to profile) | |
| | | | | | SRHP / SRW | 455-760 | 761-770 | 771-1260 |
| | | | | | 451- 720 | 1 | 2 | 3 |
| | | | | | 721- 790 | 3 | 4 | 5 |
| | | | | | 791-1350 | 4 | 5 | 6 |
| | | | | | 1351-1600 | 5 | 6 | 7 |
| | | | | | 1601-2100 | 6 | 7 | 8 |
| | | | | | 2101-2350 | 7 | 8 | 9 |

[1] Corner drive only in combination with drill-in hinge. Alternatively: rebate corner-drive hinge.



T&T centre lock 215-C
Run-up block

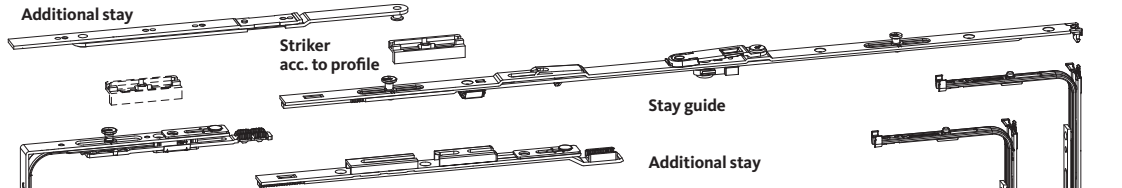
Extension
Striker
acc. to profile

Corner drive

Sec striker acc. to profile
– tilt function

UNI-JET S-CONCEALED central locking – T&T / TF

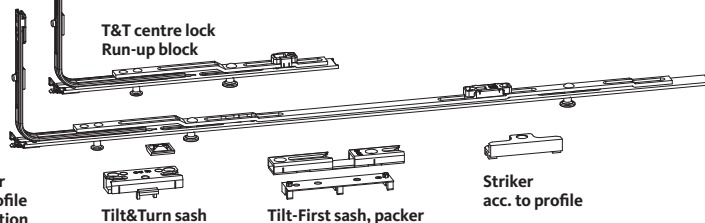
1-sash – fixed handle height, 9 and 13 mm axis – basic security



Hardware requirements depending on sash size for patterns A to E Tilt&Turn / Tilt-First hardware – 1-sash

| Qty. | Description | | | | | PU | Article no. | |
|------|-------------|---|---|---|---------------------------------------|------------|-------------|------------------------|
| A | B | C | D | E | | | | |
| 1 | 1 | 1 | 1 | 1 | Corner drive | 1 LC | 100 | 6-32021-00-0-1 |
| | | | | | alternatively: | | | |
| 1 | 1 | 1 | 1 | 1 | Corner drive | 2 LC | 100 | 6-31753-00-0-1 |
| | | | | | Stay guide – Add. stay [2] | | | Tilt&Turn |
| | | | | | SRW [1] | F-plate LC | | Tilt-First |
| 1 | 1 | | | | 420- 500 | 590 | 10 | 6-34088-06-0-1 |
| 1 | 1 | | | | 501- 750 | 590 | 10 | 6-34088-06-0-1 |
| | | 1 | 1 | 1 | 751- 950 | 840 | 10 | 6-34088-08-0-1 |
| | | 1 | 1 | 1 | 951-1200 | 1040 | 10 | 6-34088-10-0-1 |
| | | 1 | 1 | | 1201-1300 | 1290 | 10 | 6-34088-12-0-1 |
| | | 1 | 1 | | 1301-1400 | 1040 | 10 | 6-34088-10-0-1 |
| | | 1 | 1 | | 1301-1400 | 250 | 10 | 8-00734-00-0-1 |
| | | | | | Gear | | | VHH gear, 15BS |
| | | | | | SRH [1] [3] | F-plate LC | | VHH gear, 7.5BS |
| 1 | 1 | | | | 350- 450 | 363 | 10 | G-22120-00-0-1 |
| 1 | 1 | | | | 451- 550 | 390 | 10 | G-22121-00-0-1 |
| 1 | 1 | | | | 551- 720 | 560 | 10 | G-22122-00-0-1 |
| | | 1 | 1 | | 721- 850 | 690 | 10 | G-22123-00-0-1 |
| | | 1 | 1 | | 851-1100 | 940 | 10 | G-22124-00-0-1 |
| | | 1 | 1 | | 1101-1350 | 1190 | 10 | G-22125-00-0-1 |
| | | 1 | 1 | | 1351-1600 | 1440 | 10 | G-22127-00-0-1 |
| | | 1 | 1 | | 1601-1850 | 1690 | 10 | G-22128-00-0-1 |
| | | | | 1 | 1851-2100 | 1940 | 10 | G-22133-00-0-1 |
| | | | | 1 | 2101-2350 | 2190 | 10 | G-22134-00-0-1 |
| | | | | | T&T centre lock – bottom | | | |
| | | | | | SRW | F-plate LC | | |
| 1 | 1 | | | 1 | 400- 750 | 230 | 10 | 6-32012-00-0-1 |
| | | 1 | 1 | 1 | 751-1000 | 330 | 10 | 6-32076-03-0-1 |
| | | 1 | 1 | 1 | 1001-1200 | 530 | 10 | 6-32076-05-0-1 |
| | | 1 | 1 | | 1201-1400 | 740 | 10 | 6-32076-07-0-1 |
| 1 | 1 | 1 | 1 | 1 | Run-up block | | 100 | 9-41796-00-0-1 |
| | | | | | Sec centre lock – hinge side | | | |
| | | | | | SRH [3] | F-plate LC | | |
| 1 | 1 | | | | 350- 720 | 230 | 10 | 6-32010-00-0-1 |
| 1 | 1 | | | | 721-1100 | 530 | 10 | 6-32008-05-0-1 |
| 1 | 1 | | | | 1101-1350 | 740 | 10 | 6-32008-07-0-1 |
| 1 | 1 | | | | 1351-1850 | 1190 | 10 | 6-32008-12-0-1 |
| | | | | 1 | 1851-2100 | 1450 | 10 | 6-32008-15-0-1 |
| | | | | 1 | 2101-2350 | 1890 | 10 | 6-32008-19-0-1 |
| 1 | 1 | 1 | 1 | 1 | Sec striker – tilt function | | 100 | (acc. to profile) |
| | | | | | alternatively for Tilt-First: | | | |
| 1 | 1 | 1 | 1 | 1 | Sec TF striker – tilt function | | 100 | 6-32668-00-0-1 |
| 1 | 1 | 1 | 1 | 1 | Packer | | 100 | (acc. to profile) |
| | | | | | Strikers – standard | | 100 | (acc. to profile) |
| | | | | | SRH / SRW | 420-750 | | 751-1400 |
| | | | | | 350- 720 | 1/2 | | 4/5 |
| | | | | | 721-1350 | 3/4 | | 6/7 |
| | | | | | 1351-1600 | 5/6 | | 8/9 |
| | | | | | 1601-2100 | 6/7 | | 9/10 |
| | | | | | 2101-2350 | 8/9 | | 11/12 |

- [1] SRW 400-500, SRH 350-390 only with corner drive S 6-32238-00-0-1 and opening restrictor 8-00775-00-0-1
SRW 400-500, SRH 350-450 only with corner drive S 6-32238-00-0-1
- [2] Sash weights up to 100 kg = SRW 1301-1400 with additional stay and stay guide 6-34088-10-0-1
Sash weights from 100 kg = SRW 1201-1400 with additional stay and stay guide 6-34088-10-0-1
- [3] SRH 2351-2800: refer to installation drawing



Sec striker
acc. to profile
– tilt function

Tilt&Turn sash

Tilt-First sash, packer

Striker
acc. to profile

Centre lock
Striker
acc. to profile

UNI-JET S-CONCEALED central locking – Turn-Only

1-sash – fixed handle height, 9 and 13 mm axis – basic security



Centre lock Striker acc. to profile

Turn-Only faceplate

Gear connector 90° Striker acc. to profile

FHH gear, 7.5BS

FHH gear, 15BS Striker acc. to profile

Sec centre lock Run-up block

Sec striker acc. to profile

Striker acc. to profile

Hardware requirements depending on sash size for patterns A to E
Turn-Only hardware – 1-sash

| Qty. | Description | | | | | PU | Article no. |
|-----------|--------------------------------|---|---|---------------------------------|----------------------------|------------------------|-----------------------|
| A B C D E | | | | | | | |
| 1 1 1 1 1 | Turn-Only faceplate | | | | | 100 | 6-34651-00-0-1 |
| 1 1 1 1 1 | Gear connector 90° 1 LC | | | | | 100 | 6-32104-00-0-1 |
| | Gear | | | FHH gear, 15BS | | FHH gear, 7.5BS | |
| | | | | SRH [1] [3] | F-plate LC | FHH | |
| 1 | 1 | | | 350- 450 | 363 | 155 | G-22120-00-0-1 |
| 1 | 1 | | | 451- 550 | 390 | 155 | G-22121-00-0-1 |
| 1 | 1 | | | 551- 720 | 560 | 200 | G-22122-00-0-1 |
| | 1 | 1 | | 721- 850 | 690 | 250 | G-22123-00-0-1 |
| | 1 | 1 | | 851-1100 | 940 | 400 | G-22124-00-0-1 |
| | 1 | 1 | | 1101-1350 | 1190 | 500 | G-22125-00-0-1 |
| | 1 | 1 | | 1351-1600 | 1440 | 600 | G-22127-00-0-1 |
| | 1 | 1 | | 1601-1850 | 1690 | 600 | G-22128-00-0-1 |
| | | 1 | | 1851-2100 | 1940 | 980 | G-22133-00-0-1 |
| | | 1 | | 2101-2350 | 2190 | 980 | G-22134-00-0-1 |
| | | | | Centre lock – top | | | |
| | | | | SRW | F-plate LC | | |
| | | 1 | 1 | 790-1200 | 530 | 1 | 6-32075-05-0-1 |
| | | 1 | 1 | 1201-1400 | 740 | 1 | 6-32075-07-0-1 |
| | | | | alternatively: | | | |
| | | | | Sec centre lock– top | | | |
| | | | | SRW | F-plate LC | | |
| | | 1 | 1 | 751-1000 | 330 | 2 | 6-32008-03-0-1 |
| | | 1 | 1 | 1001-1200 | 530 | 2 | 6-32008-05-0-1 |
| | | 1 | 1 | 1201-1400 | 740 | 3 | 6-32008-07-0-1 |
| | | | | Sec centre lock – bottom | | | |
| | | | | SRW | F-plate LC | | |
| 1 | 1 | | 1 | 360- 750 | 230 | 1 | 6-32010-00-0-1 |
| | | 1 | 1 | 751-1000 | 330 | 2 | 6-32008-03-0-1 |
| | | 1 | 1 | 1001-1200 | 530 | 2 | 6-32008-05-0-1 |
| | | 1 | 1 | 1201-1400 | 740 | 2 | 6-32008-07-0-1 |
| 1 | 1 | 1 | 1 | 1 | Run-up block | | 100 9-41796-00-0-1 |
| 1 | 1 | 1 | 1 | 1 | Sec striker | | 100 (acc. to profile) |
| | | | | | Strikers – standard | | 100 (acc. to profile) |
| | | | | SRH / SRW | 360-750 | 751-1200 | 1201-1400 |
| | | | | 350- 720 | 1 | 3/4 | 3/5 |
| | | | | 721-1350 | 2 | 4/5 | 4/6 |
| | | | | 1351-1600 | 3 | 5/6 | 5/7 |
| | | | | 1601-2100 | 4 | 6/7 | 6/8 |
| | | | | 2101-2350 | 5 | 7/8 | 7/9 |

[1] SRH 350-450 only with corner drive S 6-32238-00-0-1
 [3] SRH 2351-2800: refer to installation drawing

UNI-JET central locking – Sec Tilt&Turn / Tilt-First

1-sash – fixed handle height, 9 and 13 mm axis – RC 2



Sec striker
acc. to profile

Stay guide

Hardware requirements depending on sash size for patterns A to E Sec Tilt&Turn / Tilt-First hardware – 1-sash

| Qty. | Description | | | | | PU | Article no. | |
|--|-------------|---|---|---|--|------------|-------------|------------------------------------|
| A | B | C | D | E | | | | |
| 1 | 1 | 1 | 1 | 1 | Corner drive | 2 LC | 100 | 6-31753-00-0-1 |
| 6 | 6 | 6 | 6 | 6 | Clearance packer | | 100 | 9-43219-00-0-1 |
| Stay guide – Extension 500 [2] | | | | | | | | |
| SRW F-plate LC | | | | | | | | |
| 1 | 1 | | | | 401- 500 | 350 | 10 | 6-31512-03-0-1 |
| 1 | 1 | | | 1 | 501- 750 | 590 | 10 | 6-31512-06-0-1 |
| 1 | 1 | 1 | 1 | 1 | 751- 950 | 840 1 | 10 | 6-31512-08-0-1 |
| 1 | 1 | 1 | 1 | 1 | 951-1200 | 1040 1 | 10 | 6-31512-10-0-1 |
| 1 | 1 | 1 | 1 | | 1201-1450 | 1290 1 | 10 | 6-31512-12-0-1 |
| | | | 1 | 1 | 1451-1600 | 1290 1 | 10 | 6-31512-12-0-1 |
| | | | 1 | 1 | 1451-1600 | 500 1 | 10 | 6-32142-00-0-1 Extension 500 |
| Gear | | | | | | | | |
| SRH [3] F-plate LC FHH | | | | | | | | |
| 1 | | 1 | | | 451- 550 | 390 1 155 | 10 | 6-33218-00-0-1 G-33308-00-0-1 |
| 1 | | 1 | | | 551- 720 | 560 1 200 | 10 | 6-33219-00-0-1 G-33309-00-0-1 |
| 1 | 1 | 1 | 1 | | 721- 850 | 690 2 250 | 10 | 6-33220-00-0-1 G-33310-00-0-1 |
| 1 | 1 | 1 | 1 | | 851-1100 | 940 1 400 | 10 | G-22124-00-0-1 G-22144-00-0-1 |
| | | 1 | 1 | | 1101-1350 | 1190 1 500 | 10 | G-22125-00-0-1 G-22145-00-0-1 |
| | | 1 | 1 | | 1351-1600 | 1440 2 600 | 10 | G-22127-00-0-1 G-22147-00-0-1 |
| | | 1 | 1 | | 1601-1850 | 1690 3 600 | 10 | G-22128-00-0-1 G-22148-00-0-1 |
| | | | 1 | | 1851-2100 | 1940 3 980 | 10 | G-22133-00-0-1 G-22153-00-0-1 |
| | | | 1 | | 2101-2350 | 2190 4 980 | 10 | G-22134-00-0-1 G-22154-00-0-1 |
| 1 | 1 | 1 | 1 | 1 | Anti-drill plate – FHH gear, 15BS | | 100 | 9-41749-00-0-0 |
| T&T centre lock – bottom | | | | | | | | |
| SRW F-plate LC | | | | | | | | |
| 1 | 1 | | | 1 | 401- 750 | 230 1 | 10 | 6-32012-00-0-1 |
| | | | 1 | 1 | 751- 950 | 530 2 | 10 | 6-32076-05-0-1 |
| | | | 1 | 1 | 951-1200 | 740 2 | 10 | 6-32076-07-0-1 |
| | | | 1 | 1 | 1201-1600 | 1050 3 | 10 | 6-32076-10-0-1 |
| Sec centre lock – hinge side | | | | | | | | |
| SRH [3] F-plate LC | | | | | | | | |
| 1 | | 1 | | | 451- 720 | 230 1 | 10 | 6-32010-00-0-1 |
| | 1 | | 1 | | 721-1100 | 530 2 | 10 | 6-32008-05-0-1 |
| | 1 | | 1 | | 1101-1350 | 740 2 | 10 | 6-32008-07-0-1 |
| | 1 | | 1 | | 1351-1850 | 1190 3 | 10 | 6-32008-12-0-1 |
| | | | 1 | | 1851-2100 | 1450 3 | 10 | 6-32008-15-0-1 |
| | | | 1 | | 2101-2350 | 1890 4 | 10 | 6-32008-19-0-1 |
| 1 | 1 | 1 | 1 | 1 | Sec striker – tilt function | | 100 | (acc. to profile) |
| alternatively for Tilt-First: | | | | | | | | |
| 1 | 1 | 1 | 1 | 1 | Sec TF striker – tilt function | | 100 | 6-32668-00-0-1 |
| 1 | 1 | 1 | 1 | 1 | Packer | | 100 | (acc. to profile) |
| Sec strikers | | | | | | | | |
| SRH / SRW 401-750 751-1200 1201-1450 1451-1600 | | | | | | | | |
| 451- 720 4 6 7 8 | | | | | | | | |
| 721-1350 5 7 8 9 | | | | | | | | |
| 1351-1600 7 9 10 11 | | | | | | | | |
| 1601-2100 8 10 11 12 | | | | | | | | |
| 2101-2350 10 12 13 14 | | | | | | | | |

[2] Extension 500 to be cropped to 250 mm

[3] SRH 2351-2800: refer to installation drawing

Corner drive
Sec striker
acc. to profile
Clearance packer

FHH gear, 7.5BS

FHH gear, 15BS
Sec striker
acc. to profile

Anti-drill plate

Sec centre lock
Sec striker acc. to profile
Clearance packer

T&T centre lock

Sec striker
acc. to profile
– tilt function

Tilt&Turn sash

Tilt-First sash, packer

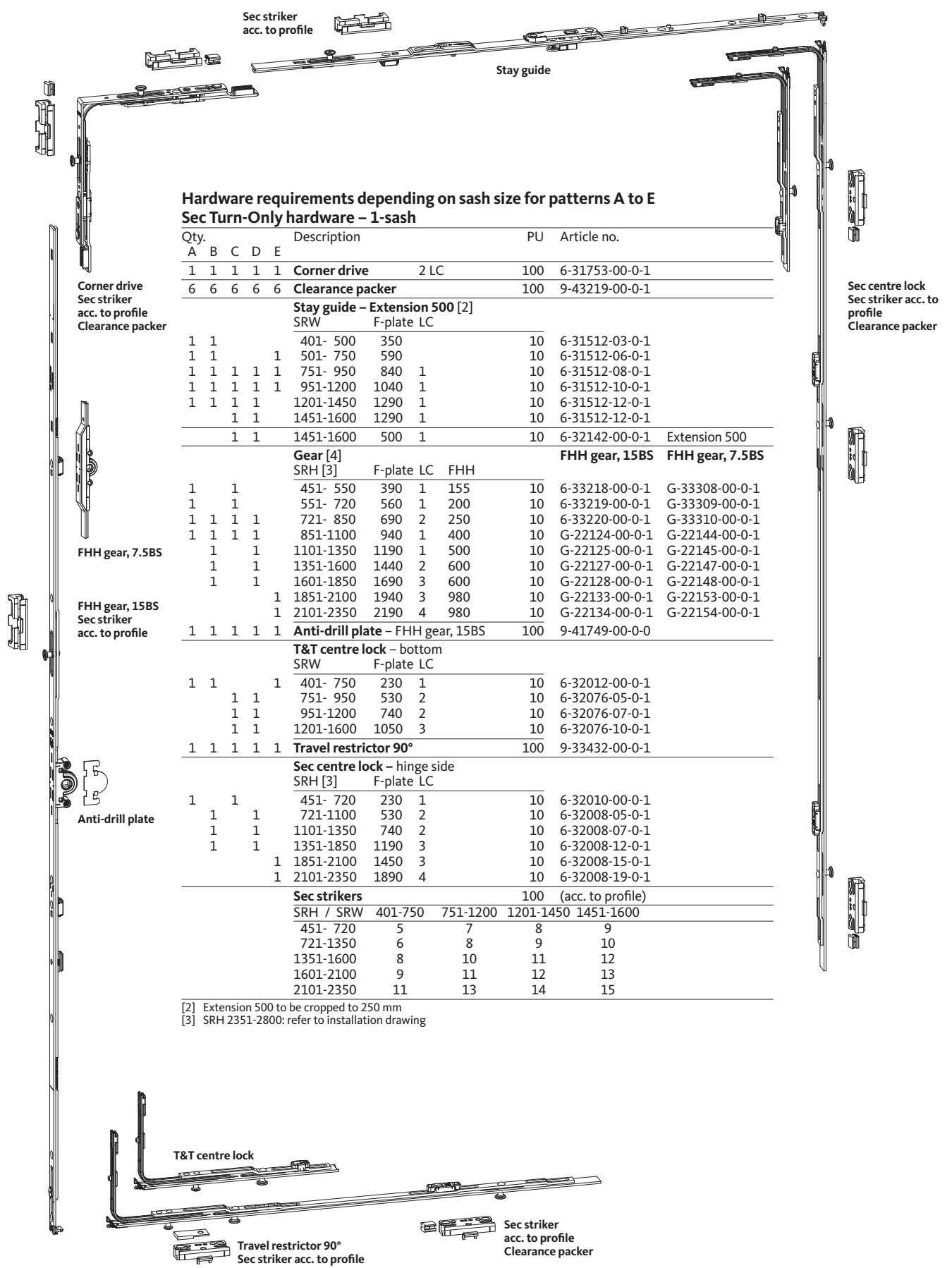
Striker
acc. to profile
Clearance packer

UNI-JET central locking – Sec Turn-Only hardware

1-sash – fixed handle height, 9 and 13 mm axis – RC 2



D



Hardware requirements depending on sash size for patterns A to E Sec Turn-Only hardware – 1-sash

| Qty. | | Description | | | | PU | Article no. | |
|---------------------------------------|---|-------------|------------|-----------|-----------------------------------|-----------------------|--|-------------------------------|
| A | B | C | D | E | | | | |
| 1 | 1 | 1 | 1 | 1 | Corner drive | 2 LC | 100 | 6-31753-00-0-1 |
| 6 | 6 | 6 | 6 | 6 | Clearance packer | | 100 | 9-43219-00-0-1 |
| Stay guide – Extension 500 [2] | | | | | | | | |
| | | SRW | F-plate LC | | | | | |
| 1 | 1 | | | | 401- 500 | 350 | 10 | 6-31512-03-0-1 |
| 1 | 1 | | | 1 | 501- 750 | 590 | 10 | 6-31512-06-0-1 |
| 1 | 1 | 1 | 1 | 1 | 751- 950 | 840 1 | 10 | 6-31512-08-0-1 |
| 1 | 1 | 1 | 1 | 1 | 951-1200 | 1040 1 | 10 | 6-31512-10-0-1 |
| 1 | 1 | 1 | 1 | | 1201-1450 | 1290 1 | 10 | 6-31512-12-0-1 |
| | | | 1 | 1 | 1451-1600 | 1290 1 | 10 | 6-31512-12-0-1 |
| | | 1 | 1 | | 1451-1600 | 500 1 | 10 | 6-32142-00-0-1 Extension 500 |
| Gear [4] | | | | | | | | |
| | | SRH [3] | F-plate LC | | FHH | | FHH gear, 15BS FHH gear, 7.5BS | |
| 1 | | 1 | | | 451- 550 | 390 1 155 | 10 | 6-33218-00-0-1 G-33308-00-0-1 |
| 1 | | 1 | | | 551- 720 | 560 1 200 | 10 | 6-33219-00-0-1 G-33309-00-0-1 |
| 1 | 1 | 1 | 1 | | 721- 850 | 690 2 250 | 10 | 6-33220-00-0-1 G-33310-00-0-1 |
| 1 | 1 | 1 | 1 | | 851-1100 | 940 1 400 | 10 | G-22124-00-0-1 G-22144-00-0-1 |
| | | 1 | 1 | | 1101-1350 | 1190 1 500 | 10 | G-22125-00-0-1 G-22145-00-0-1 |
| | | 1 | 1 | | 1351-1600 | 1440 2 600 | 10 | G-22127-00-0-1 G-22147-00-0-1 |
| | | 1 | 1 | | 1601-1850 | 1690 3 600 | 10 | G-22128-00-0-1 G-22148-00-0-1 |
| | | | | 1 | 1851-2100 | 1940 3 980 | 10 | G-22133-00-0-1 G-22153-00-0-1 |
| | | | | 1 | 2101-2350 | 2190 4 980 | 10 | G-22134-00-0-1 G-22154-00-0-1 |
| 1 | 1 | 1 | 1 | 1 | Anti-drill plate – FHH gear, 15BS | | 100 | 9-41749-00-0-0 |
| T&T centre lock – bottom | | | | | | | | |
| | | SRW | F-plate LC | | | | | |
| 1 | 1 | | | 1 | 401- 750 | 230 1 | 10 | 6-32012-00-0-1 |
| | | | 1 | 1 | 751- 950 | 530 2 | 10 | 6-32076-05-0-1 |
| | | | 1 | 1 | 951-1200 | 740 2 | 10 | 6-32076-07-0-1 |
| | | | 1 | 1 | 1201-1600 | 1050 3 | 10 | 6-32076-10-0-1 |
| 1 | 1 | 1 | 1 | 1 | Travel restrictor 90° | | 100 | 9-33432-00-0-1 |
| Sec centre lock – hinge side | | | | | | | | |
| | | SRH [3] | F-plate LC | | | | | |
| 1 | | 1 | | | 451- 720 | 230 1 | 10 | 6-32010-00-0-1 |
| | | 1 | 1 | | 721-1100 | 530 2 | 10 | 6-32008-05-0-1 |
| | | 1 | 1 | | 1101-1350 | 740 2 | 10 | 6-32008-07-0-1 |
| | | 1 | 1 | | 1351-1850 | 1190 3 | 10 | 6-32008-12-0-1 |
| | | | | 1 | 1851-2100 | 1450 3 | 10 | 6-32008-15-0-1 |
| | | | | 1 | 2101-2350 | 1890 4 | 10 | 6-32008-19-0-1 |
| Sec strikers | | | | | | 100 (acc. to profile) | | |
| SRH / SRW | | 401-750 | 751-1200 | 1201-1450 | 1451-1600 | | | |
| | | 451- 720 | 5 | 7 | 8 | 9 | | |
| | | 721-1350 | 6 | 8 | 9 | 10 | | |
| | | 1351-1600 | 8 | 10 | 11 | 12 | | |
| | | 1601-2100 | 9 | 11 | 12 | 13 | | |
| | | 2101-2350 | 11 | 13 | 14 | 15 | | |

[2] Extension 500 to be cropped to 250 mm
[3] SRH 2351-2800: refer to installation drawing

UNI-JET central locking – ZH-Sec lever-operated hardware



2-sash – fixed handle height, 9 and 13 mm axis – RC 2



Hardware requirements depending on sash size for patterns A to E
ZH-Sec lever-operated hardware – 2-sash

| Qty. | | Description | | | | | PU | Article no. |
|---------------------------------------|---|-------------|------------|-----------|------------------------------------|-----------------|-----|---------------------------------|
| A | B | C | D | E | | | | |
| 1 | 1 | 1 | 1 | 1 | Corner drive | 1 LC/ 1 striker | 100 | G-22492-00-0-1 |
| 5 | 5 | 5 | 5 | 5 | Clearance packer | | 100 | 9-43219-00-0-1 |
| Stay guide – Extension 500 [2] | | | | | | | | |
| | | SRW | F-plate LC | | | | | |
| 1 | 1 | | | | 401- 500 | 350 | 10 | 6-31512-03-0-1 |
| 1 | 1 | | | 1 | 501- 750 | 590 | 10 | 6-31512-06-0-1 |
| 1 | 1 | 1 | 1 | 1 | 751- 950 | 840 | 1 | 10 6-31512-08-0-1 |
| 1 | 1 | 1 | 1 | 1 | 951-1200 | 1040 | 1 | 10 6-31512-10-0-1 |
| 1 | 1 | 1 | 1 | 1 | 1201-1450 | 1290 | 1 | 10 6-31512-12-0-1 |
| | | | 1 | 1 | 1451-1600 | 1290 | 1 | 10 6-31512-12-0-1 |
| | | 1 | 1 | | 1451-1600 | 500 | 1 | 10 6-32142-00-0-1 Extension 500 |
| ZH-Sec lever-operated gear | | | | | | | | |
| | | SRH [3] | F-plate LC | | FHH | | | |
| 1 | | 1 | | | 470- 720 | 560 | 1 | 230 10 6-33130-00-0-1 |
| 1 | 1 | 1 | 1 | | 721- 850 | 690 | 2 | 230 10 6-33131-00-0-1 |
| 1 | 1 | 1 | 1 | | 851-1100 | 940 | 2 | 230 10 6-33132-00-0-1 |
| | | | 1 | 1 | 1101-1350 | 1190 | 2 | 230 10 6-33133-00-0-1 |
| | | | 1 | 1 | 1351-1600 | 1440 | 3 | 230 10 6-33134-00-0-1 |
| | | | 1 | 1 | 1601-1850 | 1690 | 4 | 230 10 6-33135-00-0-1 |
| | | | | 1 | 1851-2100 | 1940 | 4 | 516 10 6-33136-00-0-1 |
| | | | | 1 | 2101-2350 | 2190 | 5 | 516 10 6-33137-00-0-1 |
| 1 | 1 | 1 | 1 | 1 | Run-up stop for sash lifter | | 100 | 9-40149-00-0-1 |
| 1 | 1 | 1 | 1 | 1 | ZH-Sec protective bracket | | 1 | K-17080-00-0-1 |
| T&T centre lock – bottom | | | | | | | | |
| | | SRW | F-plate LC | | | | | |
| 1 | 1 | | | 1 | 401- 750 | 330 | 2 | 10 6-32076-03-0-1 |
| | | | 1 | 1 | 751- 950 | 530 | 2 | 10 6-32076-05-0-1 |
| | | | 1 | 1 | 951-1200 | 740 | 2 | 10 6-32076-07-0-1 |
| | | | 1 | 1 | 1201-1600 | 1050 | 3 | 10 6-32076-10-0-1 |
| 1 | 1 | 1 | 1 | 1 | Run-up block | | 100 | 9-41796-00-0-1 |
| Sec centre lock – hinge side | | | | | | | | |
| | | SRH [3] | F-plate LC | | | | | |
| 1 | | 1 | | | 470- 720 | 330 | 2 | 10 6-32008-03-0-1 |
| | | 1 | 1 | | 721-1100 | 530 | 2 | 10 6-32008-05-0-1 |
| | | 1 | 1 | | 1101-1350 | 740 | 2 | 10 6-32008-07-0-1 |
| | | 1 | 1 | | 1351-1850 | 1190 | 3 | 10 6-32008-12-0-1 |
| | | | | 1 | 1851-2100 | 1450 | 3 | 10 6-32008-15-0-1 |
| | | | | 1 | 2101-2350 | 1890 | 4 | 10 6-32008-19-0-1 |
| Sec strikers | | | | | | | 100 | (acc. to profile) |
| SRH / SRW | | 401-750 | 751-1200 | 1201-1450 | 1451-1600 | | | |
| | | 470-1350 | 6 | 7 | 8 | 9 | | |
| | | 1351-2100 | 7 | 8 | 9 | 10 | | |
| | | 2101-2350 | 8 | 9 | 10 | 11 | | |

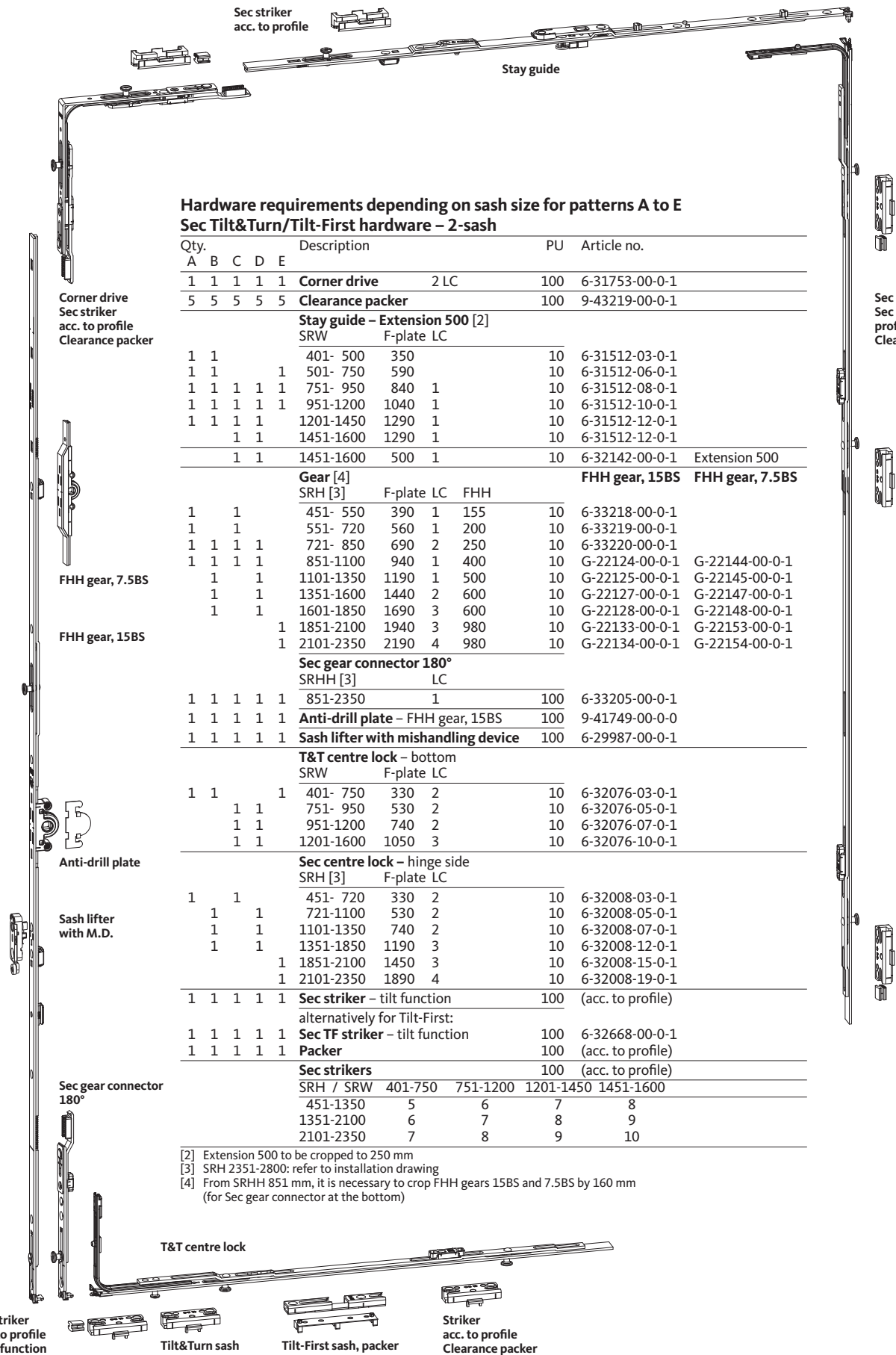
[2] Extension 500 to be cropped to 250 mm
 [3] SRH 2351-2800: refer to installation drawing

UNI-JET central locking – Sec Tilt&Turn / Tilt-First

2-sash – fixed handle height, 9 and 13 mm axis – RC 2



D



Hardware requirements depending on sash size for patterns A to E Sec Tilt&Turn/Tilt-First hardware – 2-sash

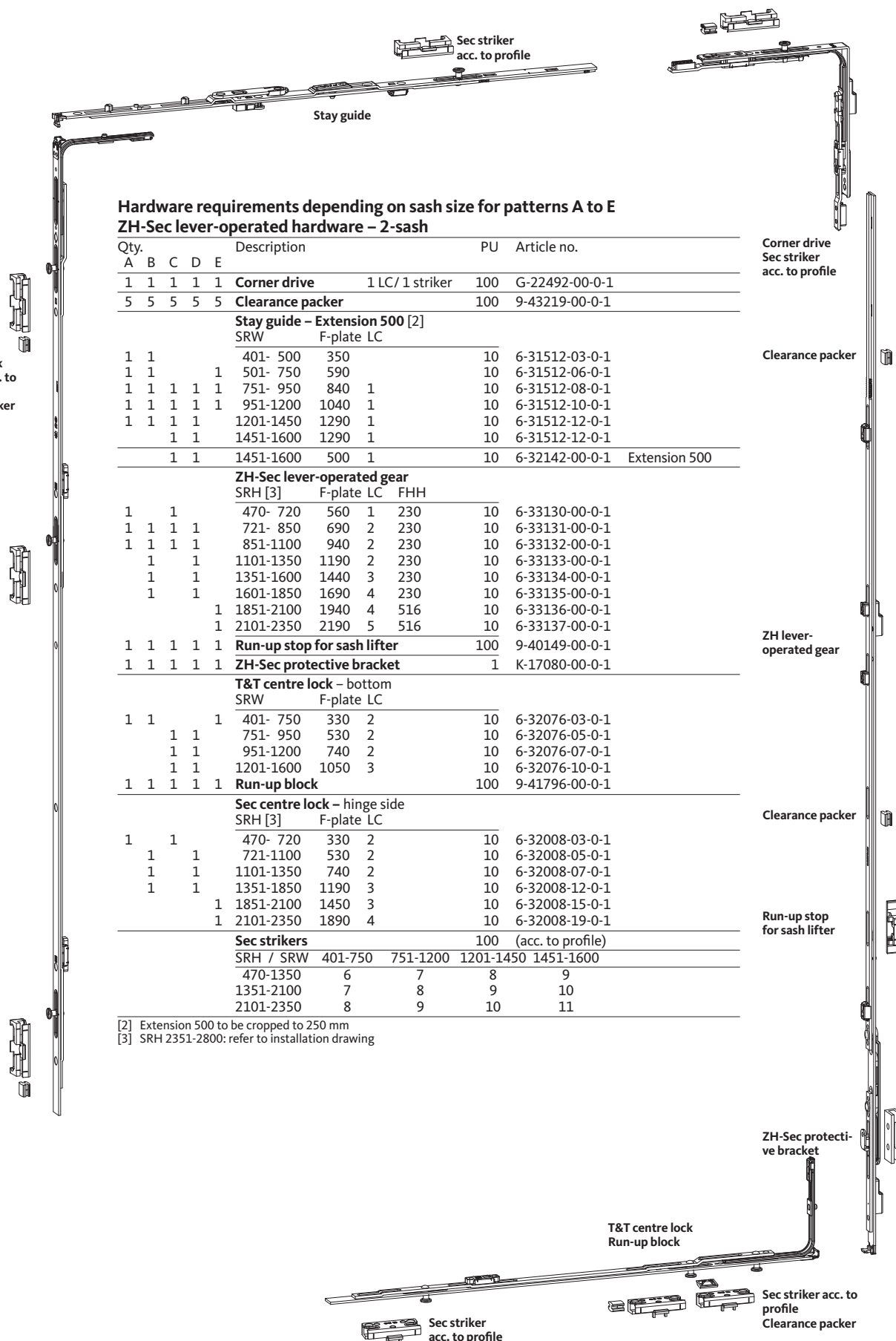
| Qty. | Description | | | | | PU | Article no. |
|--|-------------|---|---|---|--|------------|---------------------------------------|
| A | B | C | D | E | | | |
| 1 | 1 | 1 | 1 | 1 | Corner drive | 2 LC | 100 6-31753-00-0-1 |
| 5 | 5 | 5 | 5 | 5 | Clearance packer | | 100 9-43219-00-0-1 |
| Stay guide – Extension 500 [2] | | | | | | | |
| SRW F-plate LC | | | | | | | |
| 1 | 1 | | | | 401- 500 | 350 | 10 6-31512-03-0-1 |
| 1 | 1 | | | 1 | 501- 750 | 590 | 10 6-31512-06-0-1 |
| 1 | 1 | 1 | 1 | 1 | 751- 950 | 840 1 | 10 6-31512-08-0-1 |
| 1 | 1 | 1 | 1 | 1 | 951-1200 | 1040 1 | 10 6-31512-10-0-1 |
| 1 | 1 | 1 | 1 | 1 | 1201-1450 | 1290 1 | 10 6-31512-12-0-1 |
| | | | 1 | 1 | 1451-1600 | 1290 1 | 10 6-31512-12-0-1 |
| 1 | 1 | | | | 1451-1600 | 500 1 | 10 6-32142-00-0-1 Extension 500 |
| Gear [4] | | | | | | | |
| SRH [3] F-plate LC FHH | | | | | | | |
| 1 | | 1 | | | 451- 550 | 390 1 155 | 10 6-33218-00-0-1 |
| 1 | | 1 | | | 551- 720 | 560 1 200 | 10 6-33219-00-0-1 |
| 1 | 1 | 1 | 1 | | 721- 850 | 690 2 250 | 10 6-33220-00-0-1 |
| 1 | 1 | 1 | 1 | | 851-1100 | 940 1 400 | 10 G-22124-00-0-1 G-22144-00-0-1 |
| | 1 | 1 | | | 1101-1350 | 1190 1 500 | 10 G-22125-00-0-1 G-22145-00-0-1 |
| | 1 | 1 | | | 1351-1600 | 1440 2 600 | 10 G-22127-00-0-1 G-22147-00-0-1 |
| | 1 | 1 | | | 1601-1850 | 1690 3 600 | 10 G-22128-00-0-1 G-22148-00-0-1 |
| | | | 1 | 1 | 1851-2100 | 1940 3 980 | 10 G-22133-00-0-1 G-22153-00-0-1 |
| | | | 1 | 1 | 2101-2350 | 2190 4 980 | 10 G-22134-00-0-1 G-22154-00-0-1 |
| Sec gear connector 180° | | | | | | | |
| SRHH [3] LC | | | | | | | |
| 1 | 1 | 1 | 1 | 1 | 851-2350 | 1 | 100 6-33205-00-0-1 |
| 1 | 1 | 1 | 1 | 1 | Anti-drill plate – FHH gear, 15BS | | 100 9-41749-00-0-0 |
| 1 | 1 | 1 | 1 | 1 | Sash lifter with mishandling device | | 100 6-29987-00-0-1 |
| T&T centre lock – bottom | | | | | | | |
| SRW F-plate LC | | | | | | | |
| 1 | 1 | | | 1 | 401- 750 | 330 2 | 10 6-32076-03-0-1 |
| | | 1 | 1 | | 751- 950 | 530 2 | 10 6-32076-05-0-1 |
| | | 1 | 1 | | 951-1200 | 740 2 | 10 6-32076-07-0-1 |
| | | 1 | 1 | | 1201-1600 | 1050 3 | 10 6-32076-10-0-1 |
| Sec centre lock – hinge side | | | | | | | |
| SRH [3] F-plate LC | | | | | | | |
| 1 | | 1 | | | 451- 720 | 330 2 | 10 6-32008-03-0-1 |
| | 1 | 1 | | | 721-1100 | 530 2 | 10 6-32008-05-0-1 |
| | 1 | 1 | | | 1101-1350 | 740 2 | 10 6-32008-07-0-1 |
| | 1 | 1 | | | 1351-1850 | 1190 3 | 10 6-32008-12-0-1 |
| | | | 1 | 1 | 1851-2100 | 1450 3 | 10 6-32008-15-0-1 |
| | | | 1 | 1 | 2101-2350 | 1890 4 | 10 6-32008-19-0-1 |
| 1 | 1 | 1 | 1 | 1 | Sec striker – tilt function | | 100 (acc. to profile) |
| alternatively for Tilt-First: | | | | | | | |
| 1 | 1 | 1 | 1 | 1 | Sec TF striker – tilt function | | 100 6-32668-00-0-1 |
| 1 | 1 | 1 | 1 | 1 | Packer | | 100 (acc. to profile) |
| Sec strikers | | | | | | | |
| SRH / SRW 401-750 751-1200 1201-1450 1451-1600 | | | | | | | |
| 451-1350 5 6 7 8 | | | | | | | |
| 1351-2100 6 7 8 9 | | | | | | | |
| 2101-2350 7 8 9 10 | | | | | | | |

[2] Extension 500 to be cropped to 250 mm
 [3] SRH 2351-2800: refer to installation drawing
 [4] From SRHH 851 mm, it is necessary to crop FHH gears 15BS and 7.5BS by 160 mm (for Sec gear connector at the bottom)

UNI-JET central locking – ZH-Sec lever-operated hardware



2-sash – fixed handle height, 9 and 13 mm axis – RC 2



Hardware requirements depending on sash size for patterns A to E ZH-Sec lever-operated hardware – 2-sash

| Qty. | Description | | | | | PU | Article no. | | | |
|---------------------------------------|-------------|---|---|---|------------------------------------|-----------------|---------------------------------|-----------|-----------|----|
| A | B | C | D | E | | | | | | |
| 1 | 1 | 1 | 1 | 1 | Corner drive | 1 LC/ 1 striker | 100 G-22492-00-0-1 | | | |
| 5 | 5 | 5 | 5 | 5 | Clearance packer | | 100 9-43219-00-0-1 | | | |
| Stay guide – Extension 500 [2] | | | | | | | | | | |
| SRW F-plate LC | | | | | | | | | | |
| 1 | 1 | | | | 401- 500 | 350 | 10 6-31512-03-0-1 | | | |
| 1 | 1 | | 1 | | 501- 750 | 590 | 10 6-31512-06-0-1 | | | |
| 1 | 1 | 1 | 1 | 1 | 751- 950 | 840 1 | 10 6-31512-08-0-1 | | | |
| 1 | 1 | 1 | 1 | 1 | 951-1200 | 1040 1 | 10 6-31512-10-0-1 | | | |
| 1 | 1 | 1 | 1 | 1 | 1201-1450 | 1290 1 | 10 6-31512-12-0-1 | | | |
| | | | 1 | 1 | 1451-1600 | 1290 1 | 10 6-31512-12-0-1 | | | |
| | | | 1 | 1 | 1451-1600 | 500 1 | 10 6-32142-00-0-1 Extension 500 | | | |
| ZH-Sec lever-operated gear | | | | | | | | | | |
| SRH [3] F-plate LC FHH | | | | | | | | | | |
| 1 | | 1 | | | 470- 720 | 560 1 230 | 10 6-33130-00-0-1 | | | |
| 1 | 1 | 1 | 1 | | 721- 850 | 690 2 230 | 10 6-33131-00-0-1 | | | |
| 1 | 1 | 1 | 1 | | 851-1100 | 940 2 230 | 10 6-33132-00-0-1 | | | |
| | 1 | 1 | | | 1101-1350 | 1190 2 230 | 10 6-33133-00-0-1 | | | |
| | 1 | 1 | | | 1351-1600 | 1440 3 230 | 10 6-33134-00-0-1 | | | |
| | 1 | 1 | | | 1601-1850 | 1690 4 230 | 10 6-33135-00-0-1 | | | |
| | | | 1 | | 1851-2100 | 1940 4 516 | 10 6-33136-00-0-1 | | | |
| | | | 1 | | 2101-2350 | 2190 5 516 | 10 6-33137-00-0-1 | | | |
| 1 | 1 | 1 | 1 | 1 | Run-up stop for sash lifter | | 100 9-40149-00-0-1 | | | |
| 1 | 1 | 1 | 1 | 1 | ZH-Sec protective bracket | | 1 K-17080-00-0-1 | | | |
| T&T centre lock – bottom | | | | | | | | | | |
| SRW F-plate LC | | | | | | | | | | |
| 1 | 1 | | 1 | | 401- 750 | 330 2 | 10 6-32076-03-0-1 | | | |
| | | 1 | 1 | | 751- 950 | 530 2 | 10 6-32076-05-0-1 | | | |
| | | 1 | 1 | | 951-1200 | 740 2 | 10 6-32076-07-0-1 | | | |
| | | 1 | 1 | | 1201-1600 | 1050 3 | 10 6-32076-10-0-1 | | | |
| 1 | 1 | 1 | 1 | 1 | Run-up block | | 100 9-41796-00-0-1 | | | |
| Sec centre lock – hinge side | | | | | | | | | | |
| SRH [3] F-plate LC | | | | | | | | | | |
| 1 | | 1 | | | 470- 720 | 330 2 | 10 6-32008-03-0-1 | | | |
| | 1 | 1 | | | 721-1100 | 530 2 | 10 6-32008-05-0-1 | | | |
| | 1 | 1 | | | 1101-1350 | 740 2 | 10 6-32008-07-0-1 | | | |
| | 1 | 1 | | | 1351-1850 | 1190 3 | 10 6-32008-12-0-1 | | | |
| | | | 1 | | 1851-2100 | 1450 3 | 10 6-32008-15-0-1 | | | |
| | | | 1 | | 2101-2350 | 1890 4 | 10 6-32008-19-0-1 | | | |
| Sec strikers | | | | | | | | | | |
| | | | | | | 100 | (acc. to profile) | | | |
| SRH / SRW | | | | | | 401-750 | 751-1200 | 1201-1450 | 1451-1600 | |
| | | | | | | 470-1350 | 6 | 7 | 8 | 9 |
| | | | | | | 1351-2100 | 7 | 8 | 9 | 10 |
| | | | | | | 2101-2350 | 8 | 9 | 10 | 11 |

[2] Extension 500 to be cropped to 250 mm
[3] SRH 2351-2800: refer to installation drawing

UNI-JET central locking – Sec Turn-Only hardware

2-sash – fixed handle height, 9 and 13 mm axis – RC 2



D

Hardware requirements depending on sash size for patterns A to E
Sec Turn-Only hardware – 2-sash

| Qty. | Description | | | | | PU | Article no. |
|---|-------------|---|---|---|--|------------|---------------------------------|
| A | B | C | D | E | | | |
| 1 | 1 | 1 | 1 | 1 | Corner drive | 2 LC | 100 6-31753-00-0-1 |
| 5 | 5 | 5 | 5 | 5 | Clearance packer | | 100 9-43219-00-0-1 |
| Stay guide – Extension 500 [2] | | | | | | | |
| SRW F-plate LC | | | | | | | |
| 1 | 1 | | | | 401- 500 | 350 | 10 6-31512-03-0-1 |
| 1 | 1 | | | 1 | 501- 750 | 590 | 10 6-31512-06-0-1 |
| 1 | 1 | 1 | 1 | 1 | 751- 950 | 840 1 | 10 6-31512-08-0-1 |
| 1 | 1 | 1 | 1 | 1 | 951-1200 | 1040 1 | 10 6-31512-10-0-1 |
| 1 | 1 | 1 | 1 | 1 | 1201-1450 | 1290 1 | 10 6-31512-12-0-1 |
| | | | 1 | 1 | 1451-1600 | 1290 1 | 10 6-31512-12-0-1 |
| | | | 1 | 1 | 1451-1600 | 500 1 | 10 6-32142-00-0-1 Extension 500 |
| Gear [4] | | | | | | | |
| SRH [3] F-plate LC FHH | | | | | | | |
| 1 | | 1 | | | 451- 550 | 390 1 155 | 10 6-33218-00-0-1 |
| 1 | | 1 | | | 551- 720 | 560 1 200 | 10 6-33219-00-0-1 |
| 1 | 1 | 1 | 1 | | 721- 850 | 690 2 250 | 10 6-33220-00-0-1 |
| 1 | 1 | 1 | 1 | | 851-1100 | 940 1 400 | 10 G-22124-00-0-1 |
| | | | | | 1101-1350 | 1190 1 500 | 10 G-22125-00-0-1 |
| | | | | | 1351-1600 | 1440 2 600 | 10 G-22127-00-0-1 |
| | | | | 1 | 1601-1850 | 1690 3 600 | 10 G-22128-00-0-1 |
| | | | | 1 | 1851-2100 | 1940 3 980 | 10 G-22133-00-0-1 |
| | | | | 1 | 2101-2350 | 2190 4 980 | 10 G-22134-00-0-1 |
| FHH gear, 7.5BS | | | | | | | |
| FHH gear, 15BS | | | | | | | |
| Sec gear connector 180° | | | | | | | |
| SRHH [3] LC | | | | | | | |
| 1 | 1 | 1 | 1 | 1 | 851-2350 | 1 | 100 6-33205-00-0-1 |
| 1 | 1 | 1 | 1 | 1 | Anti-drill plate – FHH gear, 15BS | | 100 9-41749-00-0-0 |
| 1 | 1 | 1 | 1 | 1 | Sash lifter with mishandling device | | 100 6-29987-00-0-1 |
| T&T centre lock – bottom | | | | | | | |
| SRW F-plate LC | | | | | | | |
| 1 | 1 | | | 1 | 401- 750 | 330 2 | 10 6-32076-03-0-1 |
| | | | 1 | 1 | 751- 950 | 530 2 | 10 6-32076-05-0-1 |
| | | | 1 | 1 | 951-1200 | 740 2 | 10 6-32076-07-0-1 |
| | | | 1 | 1 | 1201-1600 | 1050 3 | 10 6-32076-10-0-1 |
| 1 | 1 | 1 | 1 | 1 | Travel restrictor 90° | | 100 9-33432-00-0-1 |
| Sec centre lock – hinge side | | | | | | | |
| SRH [3] F-plate LC | | | | | | | |
| 1 | | 1 | | | 451- 720 | 330 2 | 10 6-32008-03-0-1 |
| | 1 | 1 | | | 721-1100 | 530 2 | 10 6-32008-05-0-1 |
| | 1 | 1 | | | 1101-1350 | 740 2 | 10 6-32008-07-0-1 |
| | 1 | 1 | | | 1351-1850 | 1190 3 | 10 6-32008-12-0-1 |
| | | | | 1 | 1851-2100 | 1450 3 | 10 6-32008-15-0-1 |
| | | | | 1 | 2101-2350 | 1890 4 | 10 6-32008-19-0-1 |
| Sash lifter with M.D. | | | | | | | |
| Sec strikers | | | | | | | |
| 100 (acc. to profile) | | | | | | | |
| SRH / SRW 401-750 751-1200 1201-1450 1451-1600 | | | | | | | |
| 451-1350 6 7 8 9 | | | | | | | |
| 1351-2100 7 8 9 10 | | | | | | | |
| 2101-2350 8 9 10 11 | | | | | | | |
| Sec gear connector 180° | | | | | | | |
| [2] Extension 500 to be cropped to 250 mm | | | | | | | |
| [3] SRH 2351-2800: refer to installation drawing | | | | | | | |
| [4] From SRHH 851 mm, it is necessary to crop FHH gears 15BS and 7.5BS by 160 mm (for Sec gear connector at the bottom) | | | | | | | |
| T&T centre lock | | | | | | | |
| Travel restrictor 90° | | | | | | | |
| Sec striker acc. to profile | | | | | | | |
| Clearance packer | | | | | | | |

UNI-JET central locking – Sec Arched window hardware



1-sash – fixed handle height, 9 and 13 mm axis – RC 2



Arched window centre lock
Sec striker acc. to profile

Gear connector 180°
Sec striker acc. to profile
Clearance packer

FHH gear, 15BS
Sec striker acc. to profile

Anti-drill plate

Sash lifter with mishandling device
Run-up stop acc. to profile

Sec gear connector 180°

Required hardware according to size of sash – schemes A to C

Sec arched window hardware – 1-sash

| Qty. | Description | | | PU | Article no. | | |
|-------------------------------|-------------|--|--------------|----------------|-------------|-------------------|-----------------|
| | A | B | C | | | | |
| Arched stay | | | | | | | |
| | | SRHA | SRW | LC | | | |
| 1 | | 470- 580 | - 620 | 1 | 10 | 6-30369-00-0-1 | |
| | 1 | 581-2090 | - 620 | 1 | 10 | 6-30369-01-0-1 | |
| | 1 | 661-2090 | 621-1250 | 2 | 10 | 6-30369-02-0-1 | |
| 5 | 5 | Clearance packer | | | 100 | 9-43219-00-0-1 | |
| 1 | 1 | Support plate | | SRHA 581-2090 | 100 | 9-39782-00-0-1 | |
| 1 | 1 | Gear connector 180° | | | 100 | 6-32105-00-0-1 | |
| | | | SRW 455-910 | 1 LC | | | |
| 1 | | Arched window centre lock | | | 10 | 6-32952-00-0-1 | |
| | | | SRW 911-1250 | 2 LC | | | |
| FHH gear, 15BS [1] | | | | | | | |
| | | SRHA | F-plate | LC | FHH | | |
| 1 | | 470- 550 | 390 | 1 | 155 | 10 | 6-33218-00-0-1 |
| 1 | 1 | 551- 720 | 560 | 1 | 200 | 10 | 6-33219-00-0-1 |
| 1 | 1 | 721- 850 | 690 | 2 | 250 | 10 | 6-33220-00-0-1 |
| 1 | 1 | 851-1100 | 940 | 2 | 400 | 10 | G-22124-00-0-1 |
| 1 | 1 | 1101-1350 | 1190 | 2 | 500 | 10 | G-22125-00-0-1 |
| 1 | 1 | 1351-1600 | 1440 | 3 | 600 | 10 | G-22127-00-0-1 |
| 1 | 1 | 1601-1850 | 1690 | 4 | 600 | 10 | G-22128-00-0-1 |
| 1 | 1 | 1851-2090 | 1940 | 4 | 980 | 10 | G-22133-00-0-1 |
| 1 | 1 | Sec gear connector | | 1 LC | 100 | 6-33205-00-0-1 | |
| | | SRHA 851-2090 | | | | | |
| 1 | 1 | Anti-drill plate – FHH gear, 15BS | | | 100 | 9-41749-00-0-0 | |
| 1 | 1 | Sash lifter w. M.D. | | SRHA 551-2090 | 100 | 6-29987-00-0-1 | |
| 1 | 1 | Run-up stop | | SRHA 551-2090 | 100 | (acc. to profile) | |
| Extension – hinge side | | | | | | | |
| | | SRHA | F-plate | LC | | | |
| 1 | 1 | 581- 790 | 415 | | | 10 | 6-26741-00-0-1 |
| 1 | 1 | 791-1200 | 750 | 1 | | 10 | 6-32781-01-0-1 |
| 1 | 1 | 1201-1710 | 750 | 1 | | 10 | 6-32781-01-0-1 |
| 1 | 1 | 1711-2090 | 1130 | 1 | | 10 | 6-32781-02-0-1 |
| 1 | 1 | Extension 500 | | SRHA 1201-2090 | 10 | 6-32142-00-0-1 | |
| 1 | 1 | T&T centre lock 215-C | | | 10 | 6-32013-00-0-1 | |
| 1 | 1 | Run-up block | | SRW 455-590 | 100 | 9-41796-00-0-1 | |
| Extension – bottom | | | | | | | |
| | | SRW [2] | F-plate | LC | | | |
| 1 | | 455- 590 | 75-210 | | | | (Faceplate/rod) |
| | 1 | 591- 630 | 80-120 | | | | (Faceplate/rod) |
| 1 | 1 | 631- 840 | 415 | | | 10 | 6-26741-00-0-1 |
| 1 | 1 | 841-1250 | 750 | 1 | | 10 | 6-32781-01-0-1 |
| 1 | 1 | Run-up block extension | | | 100 | 6-33711-00-0-1 | |
| 1 | 1 | Run-up block | | | 100 | (acc. to profile) | |
| 1 | 1 | Packer | | | 100 | (acc. to profile) | |
| SRW | | | | | | | |
| 1 | 1 | Corner drive [3] | | 2 LC | 100 | 6-31753-00-0-1 | |
| | | Sec strikers [3] | | | 100 | (acc. to profile) | |
| | | SRHA / SRW | 455-620 | 621-840 | 841-910 | 911-1250 | |
| | | | 470- 720 | 6 | 7 | 8 | 9 |
| | | | 721- 790 | 7 | 8 | 9 | 10 |
| | | | 791-1200 | 8 | 9 | 10 | 11 |
| | | | 1201-1350 | 9 | 10 | 11 | 12 |
| | | | 1351-1600 | 10 | 11 | 12 | 13 |
| | | | 1601-2090 | 11 | 12 | 13 | 14 |

[1] From SRHH 851 mm, it is necessary to crop FHH gear 15BS by 160 mm (for Sec gear connector at the bottom)
 [2] SRW 455-590 only without run-up block extension
 [3] Corner drive only with drill-in hinge. Alternatively: rebate corner-drive hinge

Round arch stay arm
Sec striker acc. to profile
Clearance packer

Extension 500
Sec striker acc. to profile

Support plate

Extension
Sec striker acc. to profile

Run-up block extension
Run-up block

T&T centre lock 215-C
Run-up block

Extension
Sec striker acc. to profile

Corner drive
Sec striker acc. to profile
Clearance packer

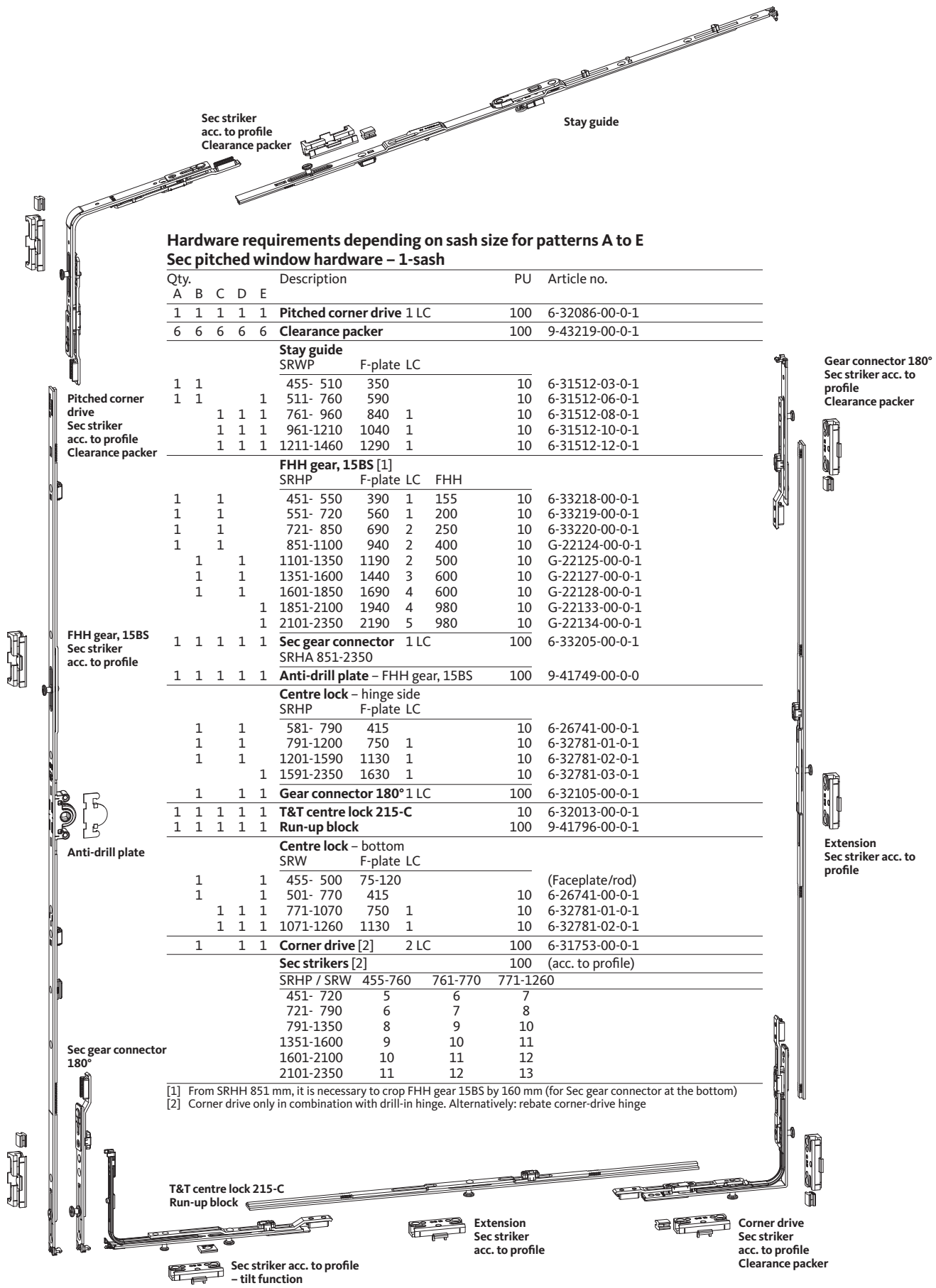
Sec striker acc. to profile – tilt function

UNI-JET central locking – Sec Pitched window hardware

1-sash – fixed handle height, 9 and 13 mm axis – RC 2



D



Hardware requirements depending on sash size for patterns A to E Sec pitched window hardware – 1-sash

| Qty. | Description | | | | | PU | Article no. | | |
|-------------------------------------|-------------|---|---|---|---|-----------------------------------|-------------|-----|-----------------|
| A B C D E | | | | | | | | | |
| 1 | 1 | 1 | 1 | 1 | 1 | Pitched corner drive | 1 LC | 100 | 6-32086-00-0-1 |
| 6 | 6 | 6 | 6 | 6 | 6 | Clearance packer | | 100 | 9-43219-00-0-1 |
| Stay guide | | | | | | | | | |
| SRWP F-plate LC | | | | | | | | | |
| 1 | 1 | | | | | 455- 510 | 350 | 10 | 6-31512-03-0-1 |
| 1 | 1 | | | 1 | | 511- 760 | 590 | 10 | 6-31512-06-0-1 |
| | | 1 | 1 | 1 | | 761- 960 | 840 1 | 10 | 6-31512-08-0-1 |
| | | 1 | 1 | 1 | | 961-1210 | 1040 1 | 10 | 6-31512-10-0-1 |
| | | 1 | 1 | 1 | | 1211-1460 | 1290 1 | 10 | 6-31512-12-0-1 |
| FHH gear, 15BS [1] | | | | | | | | | |
| SRHP F-plate LC FHH | | | | | | | | | |
| 1 | | 1 | | | | 451- 550 | 390 1 155 | 10 | 6-33218-00-0-1 |
| 1 | | 1 | | | | 551- 720 | 560 1 200 | 10 | 6-33219-00-0-1 |
| 1 | | 1 | | | | 721- 850 | 690 2 250 | 10 | 6-33220-00-0-1 |
| 1 | | 1 | | | | 851-1100 | 940 2 400 | 10 | G-22124-00-0-1 |
| | 1 | | 1 | | | 1101-1350 | 1190 2 500 | 10 | G-22125-00-0-1 |
| | 1 | | 1 | | | 1351-1600 | 1440 3 600 | 10 | G-22127-00-0-1 |
| | 1 | | 1 | | | 1601-1850 | 1690 4 600 | 10 | G-22128-00-0-1 |
| | | 1 | | 1 | | 1851-2100 | 1940 4 980 | 10 | G-22133-00-0-1 |
| | | 1 | | 1 | | 2101-2350 | 2190 5 980 | 10 | G-22134-00-0-1 |
| 1 | 1 | 1 | 1 | 1 | 1 | Sec gear connector | 1 LC | 100 | 6-33205-00-0-1 |
| SRHA 851-2350 | | | | | | | | | |
| 1 | 1 | 1 | 1 | 1 | 1 | Anti-drill plate – FHH gear, 15BS | | 100 | 9-41749-00-0-0 |
| Centre lock – hinge side | | | | | | | | | |
| SRHP F-plate LC | | | | | | | | | |
| | 1 | | 1 | | | 581- 790 | 415 | 10 | 6-26741-00-0-1 |
| | 1 | | 1 | | | 791-1200 | 750 1 | 10 | 6-32781-01-0-1 |
| | 1 | | 1 | | | 1201-1590 | 1130 1 | 10 | 6-32781-02-0-1 |
| | | | 1 | | | 1591-2350 | 1630 1 | 10 | 6-32781-03-0-1 |
| | 1 | | 1 | 1 | | Gear connector 180° | 1 LC | 100 | 6-32105-00-0-1 |
| 1 | 1 | 1 | 1 | 1 | 1 | T&T centre lock 215-C | | 10 | 6-32013-00-0-1 |
| 1 | 1 | 1 | 1 | 1 | 1 | Run-up block | | 100 | 9-41796-00-0-1 |
| Centre lock – bottom | | | | | | | | | |
| SRW F-plate LC | | | | | | | | | |
| | 1 | | 1 | | | 455- 500 | 75-120 | | (Faceplate/rod) |
| | 1 | | 1 | | | 501- 770 | 415 | 10 | 6-26741-00-0-1 |
| | | 1 | 1 | 1 | | 771-1070 | 750 1 | 10 | 6-32781-01-0-1 |
| | | 1 | 1 | 1 | | 1071-1260 | 1130 1 | 10 | 6-32781-02-0-1 |
| 1 | 1 | 1 | 1 | 1 | 1 | Corner drive [2] | 2 LC | 100 | 6-31753-00-0-1 |
| Sec strikers [2] | | | | | | | | | |
| SRHP / SRW 455-760 761-770 771-1260 | | | | | | | | | |
| | | | | | | 451- 720 | 5 6 7 | | |
| | | | | | | 721- 790 | 6 7 8 | | |
| | | | | | | 791-1350 | 8 9 10 | | |
| | | | | | | 1351-1600 | 9 10 11 | | |
| | | | | | | 1601-2100 | 10 11 12 | | |
| | | | | | | 2101-2350 | 11 12 13 | | |

[1] From SRHH 851 mm, it is necessary to crop FHH gear 15BS by 160 mm (for Sec gear connector at the bottom)
 [2] Corner drive only in combination with drill-in hinge. Alternatively: rebate corner-drive hinge

UNI-JET central locking – Tilt&Turn / Tilt-First hardware

1-sash – variable handle height, 9 and 13 mm axis – basic security



Striker
acc. to profile

Stay guide

Hardware required for scheme A to E depending on sash size Tilt&Turn / Tilt-First hardware – 1-sash

| Qty. | Description | | | | | PU | Order no. |
|---|-------------|---|---|---|---------------------------------------|-----|----------------------------------|
| A | B | C | D | E | | | |
| 1 | 1 | 1 | 1 | 1 | Corner drive | 100 | 6-32021-00-0-1 |
| 1 | 1 | 1 | 1 | 1 | Gear connector 180° | 100 | 6-32303-00-0-1 |
| Stay guide – Extension 500 [2] | | | | | | | |
| SRW F-plate LC | | | | | | | |
| 1 | 1 | | | | 401- 500 350 | 10 | 6-31512-03-0-1 |
| 1 | 1 | | 1 | | 501- 750 590 | 10 | 6-31512-06-0-1 |
| 1 | 1 | 1 | 1 | 1 | 751- 950 840 1 | 10 | 6-31512-08-0-1 |
| 1 | 1 | 1 | 1 | 1 | 951-1200 1040 1 | 10 | 6-31512-10-0-1 |
| 1 | 1 | 1 | 1 | | 1201-1450 1290 1 | 10 | 6-31512-12-0-1 |
| | | 1 | 1 | | 1451-1600 1290 1 | 10 | 6-31512-12-0-1 |
| | 1 | 1 | | | 1451-1600 500 1 | 10 | 6-32142-00-0-1 Extension 500 |
| Gear | | | | | | | |
| SRH [3] F-plate LC VHH VHH gear, 15BS VHH gear, 7.5BS | | | | | | | |
| 1 | | 1 | | | 480- 590 270 240- 295 | 10 | G-22080-00-0-1 |
| 1 | 1 | | | | 510- 590 270 255- 295 | 10 | |
| 1 | 1 | | | | 591- 750 430 295- 375 | 10 | G-22081-00-0-1 G-22101-00-0-1 |
| 1 | 1 | | | | 751-1200 880 1 375- 600 | 10 | G-22082-00-0-1 G-22102-00-0-1 |
| | 1 | 1 | | | 951-1450 1130 1 475- 725 | 10 | G-22083-00-0-1 G-22103-00-0-1 |
| | 1 | 1 | | | 1201-1700 1380 2 600- 850 | 10 | G-22084-00-0-1 G-22104-00-0-1 |
| | 1 | 1 | | | 1451-1950 1630 2 725- 975 | 10 | G-22085-00-0-1 G-22105-00-0-1 |
| | | | 1 | | 1951-2450 2130 3 975-1225 | 10 | G-22086-00-0-1 G-22106-00-0-1 |
| T&T centre lock – bottom | | | | | | | |
| SRW F-plate LC | | | | | | | |
| 1 | 1 | | 1 | | 280- 750 230 1 | 10 | 6-32012-00-0-1 |
| | | 1 | 1 | | 751- 950 530 2 | 10 | 6-32076-05-0-1 |
| | | 1 | 1 | | 951-1200 740 2 | 10 | 6-32076-07-0-1 |
| | | 1 | 1 | | 1201-1600 1050 3 | 10 | 6-32076-10-0-1 |
| Centre lock – hinge side | | | | | | | |
| SRH [3] F-plate LC | | | | | | | |
| 1 | 1 | | | | 751-1100 530 1 | 10 | 6-32075-05-0-1 |
| 1 | 1 | | | | 1101-1350 740 1 | 10 | 6-32075-07-0-1 |
| 1 | 1 | | | | 1351-1700 1190 2 | 10 | 6-32075-12-0-1 |
| | | 1 | | | 1701-2100 1450 2 | 10 | 6-32075-15-0-1 |
| | | 1 | | | 2101-2450 1890 3 | 10 | 6-32075-19-0-1 |
| 1 | 1 | 1 | 1 | 1 | Sec striker – tilt function | 100 | (acc. to profile) |
| alternatively for Tilt-First: | | | | | | | |
| 1 | 1 | 1 | 1 | 1 | Sec TF striker – tilt function | 100 | 6-32668-00-0-1 |
| 1 | 1 | 1 | 1 | 1 | Packer | 100 | (acc. to profile) |
| Strikers – standard | | | | | | | |
| SRH / SRW 401-750 751-1200 1201-1450 1451-1600 | | | | | | | |
| 480- 750 1 3 4 5 | | | | | | | |
| 751-1350 3 5 6 7 | | | | | | | |
| 1351-1450 4 6 7 8 | | | | | | | |
| 1451-1950 5 7 8 9 | | | | | | | |
| 1951-2100 6 8 9 10 | | | | | | | |
| 2101-2450 7 9 10 11 | | | | | | | |

Corner drive
Striker
acc. to profile

VHH gear, 7.5BS

VHH gear, 15BS
Striker
acc. to profile

Centre lock
Striker
acc. to profile

Gear conn. 180°

[2] Extension 500 to be cropped to 250 mm
[3] SRH 2451-2800: refer to installation drawing

T&T centre lock

Sec striker
acc. to profile
– tilt function

Tilt&Turn

Tilt-First sash, packer

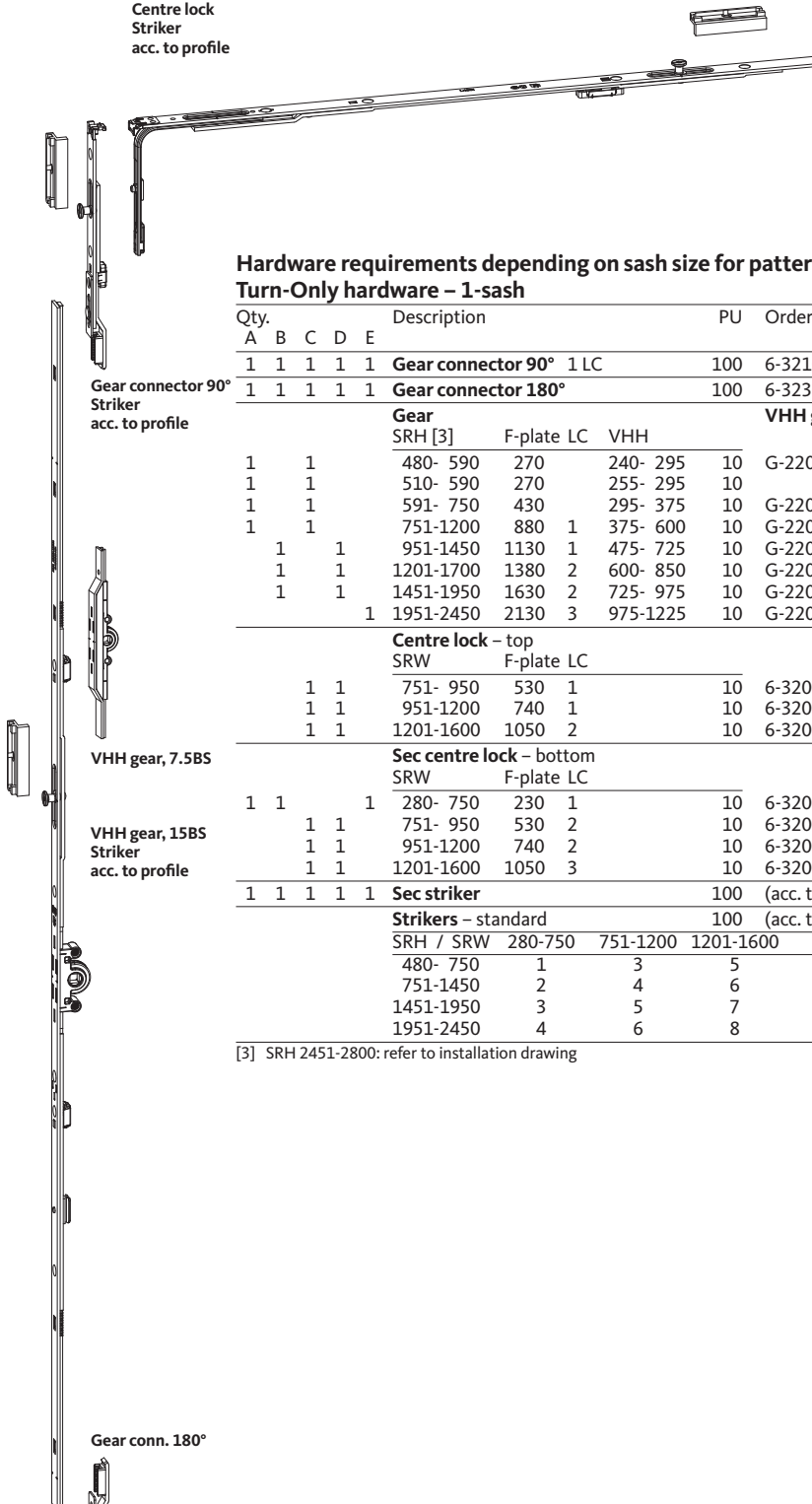
Striker
acc. to profile

UNI-JET central locking – Turn-Only hardware – 1-sash

1-sash – variable handle height, 9 and 13 mm axis – basic security



Centre lock
Striker
acc. to profile



Hardware requirements depending on sash size for patterns A to E Turn-Only hardware – 1-sash

| Qty. | | | | | Description | PU | Order no. | |
|--------------------------------|---|---|---|---|---------------------------------|-----------------------|------------------------|-----------|
| A | B | C | D | E | | | | |
| 1 | 1 | 1 | 1 | 1 | Gear connector 90° 1 LC | 100 | 6-32104-00-0-1 | |
| 1 | 1 | 1 | 1 | 1 | Gear connector 180° | 100 | 6-32303-00-0-1 | |
| Gear connector 90° | | | | | Gear | VHH gear, 15BS | VHH gear, 7.5BS | |
| Striker acc. to profile | | | | | SRH [3] | F-plate LC | VHH | |
| 1 | 1 | | | | 480- 590 | 270 | 240- 295 | |
| 1 | 1 | | | | 510- 590 | 270 | 255- 295 | |
| 1 | 1 | | | | 591- 750 | 430 | 295- 375 | |
| 1 | 1 | | | | 751-1200 | 880 | 375- 600 | |
| | 1 | 1 | | | 951-1450 | 1130 | 475- 725 | |
| | 1 | 1 | | | 1201-1700 | 1380 | 600- 850 | |
| | 1 | 1 | | | 1451-1950 | 1630 | 725- 975 | |
| | | | 1 | | 1951-2450 | 2130 | 975-1225 | |
| | | | | | Centre lock – top | | | |
| | | | | | SRW | F-plate LC | | |
| | 1 | 1 | | | 751- 950 | 530 | 1 | |
| | 1 | 1 | | | 951-1200 | 740 | 1 | |
| | 1 | 1 | | | 1201-1600 | 1050 | 2 | |
| VHH gear, 7.5BS | | | | | Sec centre lock – bottom | | | |
| | | | | | SRW | F-plate LC | | |
| 1 | 1 | | | 1 | 280- 750 | 230 | 1 | |
| | | 1 | 1 | | 751- 950 | 530 | 2 | |
| | | 1 | 1 | | 951-1200 | 740 | 2 | |
| | | 1 | 1 | | 1201-1600 | 1050 | 3 | |
| 1 | 1 | 1 | 1 | 1 | Sec striker | | 100 (acc. to profile) | |
| | | | | | Strikers – standard | | 100 (acc. to profile) | |
| | | | | | SRH / SRW | 280-750 | 751-1200 | 1201-1600 |
| | | | | | 480- 750 | 1 | 3 | 5 |
| | | | | | 751-1450 | 2 | 4 | 6 |
| | | | | | 1451-1950 | 3 | 5 | 7 |
| | | | | | 1951-2450 | 4 | 6 | 8 |

[3] SRH 2451-2800: refer to installation drawing

Gear conn. 180°

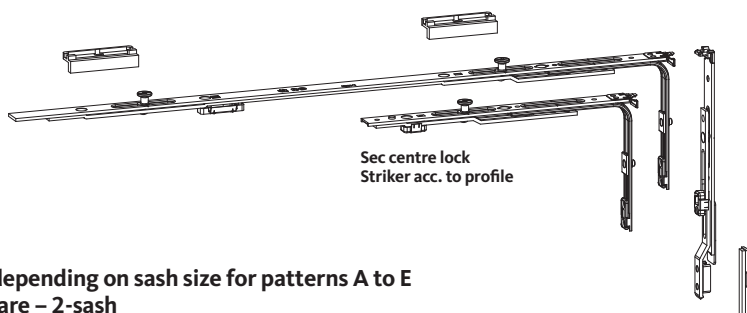
Sec centre lock

Sec striker
acc. to profile

Striker
acc. to profile

UNI-JET central locking – ZH lever-operated hardware

2-sash – variable handle height, 9 and 13 mm axis – basic security



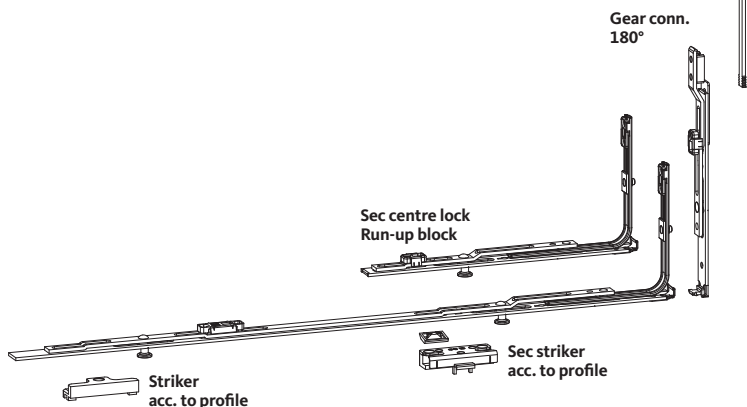
Hardware requirements depending on sash size for patterns A to E ZH lever-operated hardware – 2-sash

| Qty. | Description | | | | | PU | Order no. |
|-----------------------------------|-------------|---|---|---|--------------------------------------|-----|-------------------|
| A | B | C | D | E | | | |
| 2 | 2 | 2 | 2 | 2 | Gear connector 180° | 100 | 6-32303-00-0-1 |
| ZH lever-operated gear VHH | | | | | | | |
| | | | | | SRH [3] F-plate LC VHH | | |
| 1 | 1 | | | | 781- 950 630 1 356-536 | 10 | G-22170-00-0-1 |
| 1 | 1 | 1 | 1 | | 951-1450 1130 1 310-560 | 10 | G-22171-00-0-1 |
| 1 | 1 | 1 | 1 | | 1451-1950 1630 2 310-560 | 10 | G-22172-00-0-1 |
| | 1 | 1 | | | 1951-2450 2130 3 310-560 | 10 | G-22173-00-0-1 |
| Sec centre lock | | | | | | | |
| | | | | | SRW F-plate LC | | |
| 2 | 2 | | 2 | | 280- 750 230 1 | 10 | 6-32010-00-0-1 |
| | | 2 | 2 | | 751- 950 530 2 | 10 | 6-32008-05-0-1 |
| | | 2 | 2 | | 951-1200 740 2 | 10 | 6-32008-07-0-1 |
| | | 2 | 2 | | 1201-1600 1050 3 | 10 | 6-32008-10-0-1 |
| 1 | 1 | 1 | 1 | 1 | Run-up block | 100 | 9-41796-00-0-1 |
| 1 | 1 | 1 | 1 | 1 | Sec striker | 100 | (acc. to profile) |
| Strikers – standard | | | | | | | |
| | | | | | SRH / SRW 280-750 751-1200 1201-1600 | | |
| | | | | | 781-2450 1 3 5 | | |

[3] SRH 2451-2800: refer to installation drawing

Gear conn. 180°

ZH lever-operated gear



Gear conn. 180°

Sec centre lock
Run-up block

Striker
acc. to profile

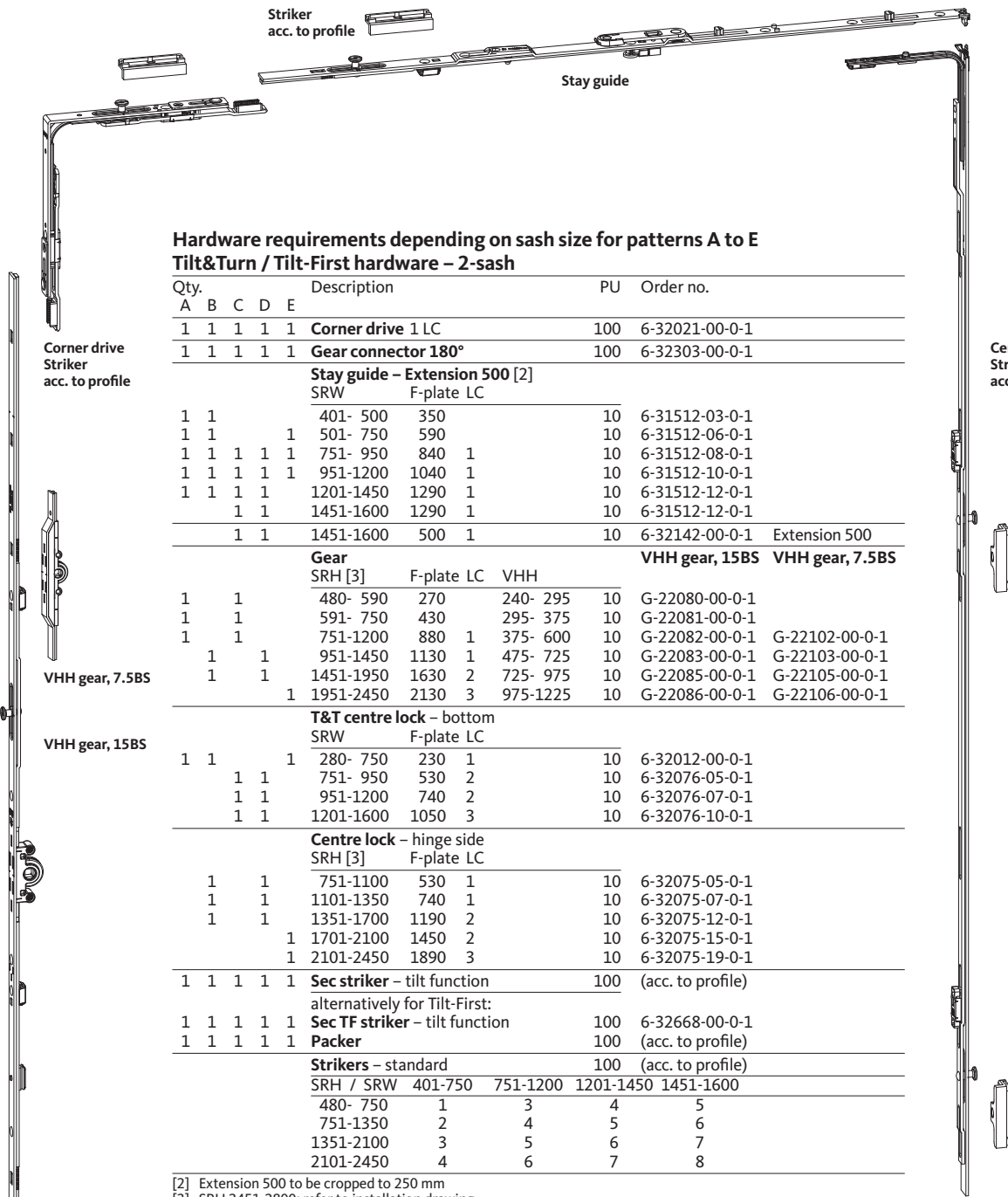
Sec striker
acc. to profile

UNI-JET central locking – Tilt&Turn / Tilt-First

2-sash – variable handle height, 9 and 13 mm axis – basic security



D



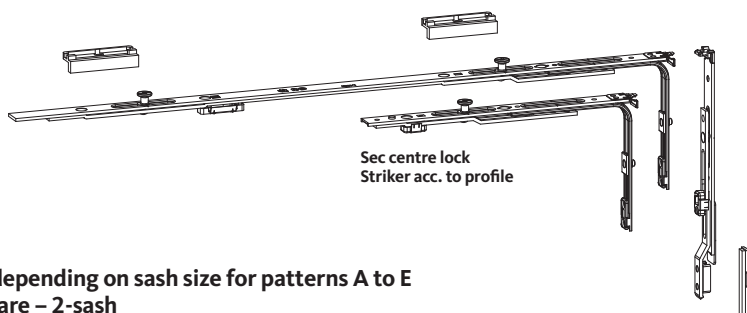
Hardware requirements depending on sash size for patterns A to E Tilt&Turn / Tilt-First hardware – 2-sash

| Qty. | Description | | | | | PU | Order no. |
|--|---------------------------------------|-----------|-----------|--------|----------|------------------------------|-------------------------------|
| A B C D E | | | | | | | |
| 1 1 1 1 1 | Corner drive 1 LC | | | | | 100 | 6-32021-00-0-1 |
| 1 1 1 1 1 | Gear connector 180° | | | | | 100 | 6-32303-00-0-1 |
| Stay guide – Extension 500 [2] | | | | | | | |
| SRW F-plate LC | | | | | | | |
| 1 1 | 401- 500 | | 350 | | 10 | 6-31512-03-0-1 | |
| 1 1 | 501- 750 | | 590 | | 10 | 6-31512-06-0-1 | |
| 1 1 1 1 1 | 751- 950 | | 840 1 | | 10 | 6-31512-08-0-1 | |
| 1 1 1 1 1 | 951-1200 | | 1040 1 | | 10 | 6-31512-10-0-1 | |
| 1 1 1 1 1 | 1201-1450 | | 1290 1 | | 10 | 6-31512-12-0-1 | |
| | 1 1 | 1451-1600 | | 1290 1 | 10 | 6-31512-12-0-1 | |
| | 1 1 | 1451-1600 | | 500 1 | 10 | 6-32142-00-0-1 Extension 500 | |
| Gear | | | | | | | |
| SRH [3] F-plate LC VHH | | | | | | | |
| 1 | 1 | 480- 590 | | 270 | 240- 295 | 10 | G-22080-00-0-1 |
| 1 | 1 | 591- 750 | | 430 | 295- 375 | 10 | G-22081-00-0-1 |
| 1 | 1 | 751-1200 | | 880 1 | 375- 600 | 10 | G-22082-00-0-1 G-22102-00-0-1 |
| | 1 1 | 951-1450 | | 1130 1 | 475- 725 | 10 | G-22083-00-0-1 G-22103-00-0-1 |
| | 1 1 | 1451-1950 | | 1630 2 | 725- 975 | 10 | G-22085-00-0-1 G-22105-00-0-1 |
| | | 1 | 1951-2450 | 2130 3 | 975-1225 | 10 | G-22086-00-0-1 G-22106-00-0-1 |
| T&T centre lock – bottom | | | | | | | |
| SRW F-plate LC | | | | | | | |
| 1 1 | 280- 750 | | 230 1 | | 10 | 6-32012-00-0-1 | |
| | 1 1 | 751- 950 | | 530 2 | | 10 | 6-32076-05-0-1 |
| | 1 1 | 951-1200 | | 740 2 | | 10 | 6-32076-07-0-1 |
| | 1 1 | 1201-1600 | | 1050 3 | | 10 | 6-32076-10-0-1 |
| Centre lock – hinge side | | | | | | | |
| SRH [3] F-plate LC | | | | | | | |
| 1 | 1 | 751-1100 | | 530 1 | | 10 | 6-32075-05-0-1 |
| 1 | 1 | 1101-1350 | | 740 1 | | 10 | 6-32075-07-0-1 |
| 1 | 1 | 1351-1700 | | 1190 2 | | 10 | 6-32075-12-0-1 |
| | | 1 | 1701-2100 | 1450 2 | | 10 | 6-32075-15-0-1 |
| | | 1 | 2101-2450 | 1890 3 | | 10 | 6-32075-19-0-1 |
| 1 1 1 1 1 | Sec striker – tilt function | | | | | 100 | (acc. to profile) |
| alternatively for Tilt-First: | | | | | | | |
| 1 1 1 1 1 | Sec TF striker – tilt function | | | | | 100 | 6-32668-00-0-1 |
| 1 1 1 1 1 | Packer | | | | | 100 | (acc. to profile) |
| Strikers – standard 100 (acc. to profile) | | | | | | | |
| SRH / SRW 401-750 751-1200 1201-1450 1451-1600 | | | | | | | |
| 480- 750 1 3 4 5 | | | | | | | |
| 751-1350 2 4 5 6 | | | | | | | |
| 1351-2100 3 5 6 7 | | | | | | | |
| 2101-2450 4 6 7 8 | | | | | | | |

[2] Extension 500 to be cropped to 250 mm
[3] SRH 2451-2800: refer to installation drawing

UNI-JET central locking – ZH lever-operated hardware

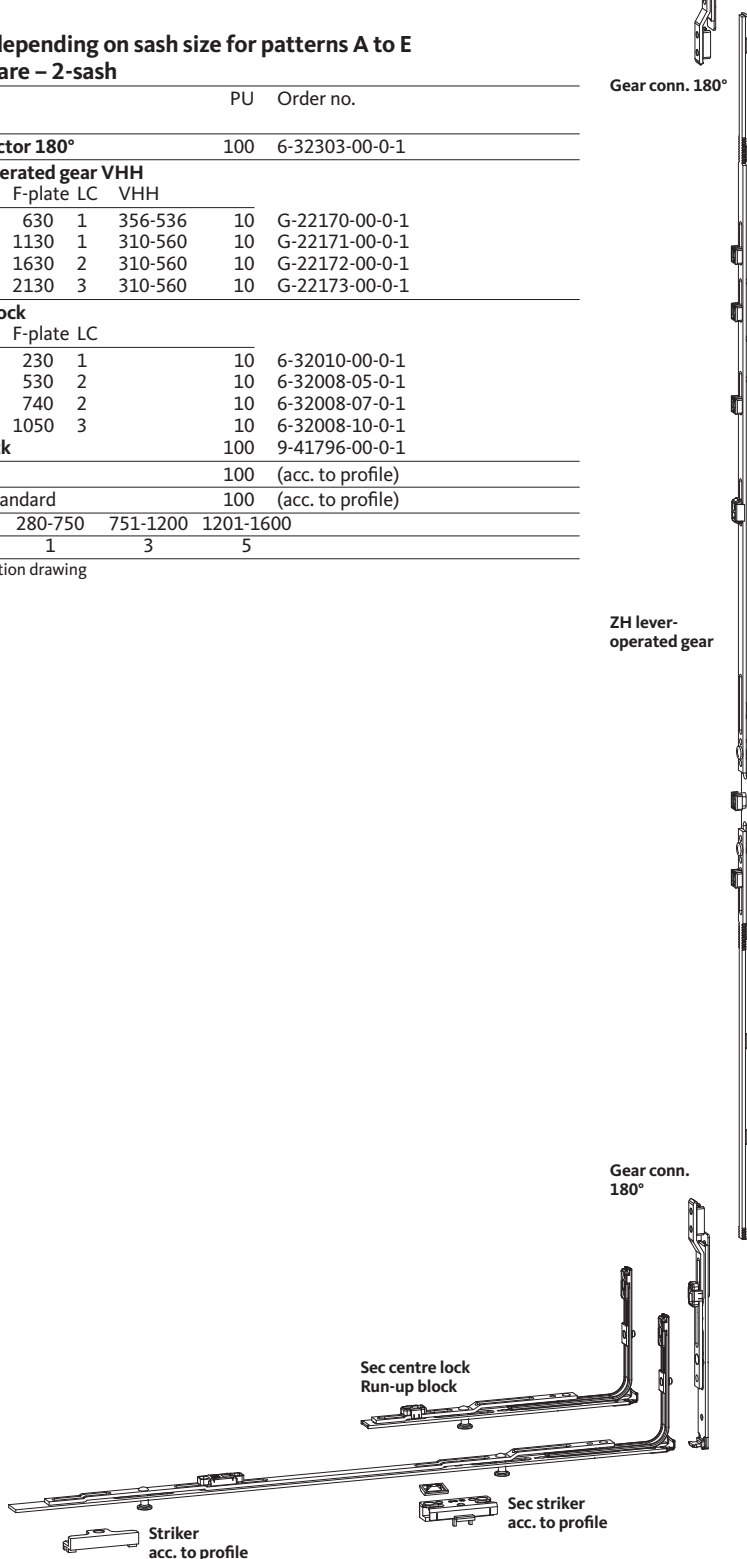
2-sash – variable handle height, 9 and 13 mm axis – basic security



Hardware requirements depending on sash size for patterns A to E ZH lever-operated hardware – 2-sash

| Qty. | Description | | | | | PU | Order no. |
|--------------------------------------|-------------|---|---|---|----------------------------|---------|-----------------------|
| A | B | C | D | E | | | |
| 2 | 2 | 2 | 2 | 2 | Gear connector 180° | | 100 6-32303-00-0-1 |
| ZH lever-operated gear VHH | | | | | | | |
| SRH [3] F-plate LC VHH | | | | | | | |
| 1 | 1 | | | | 781- 950 630 1 | 356-536 | 10 G-22170-00-0-1 |
| 1 | 1 | 1 | 1 | | 951-1450 1130 1 | 310-560 | 10 G-22171-00-0-1 |
| 1 | 1 | 1 | 1 | | 1451-1950 1630 2 | 310-560 | 10 G-22172-00-0-1 |
| | 1 | 1 | | | 1951-2450 2130 3 | 310-560 | 10 G-22173-00-0-1 |
| Sec centre lock | | | | | | | |
| SRW F-plate LC | | | | | | | |
| 2 | 2 | | 2 | | 280- 750 230 1 | | 10 6-32010-00-0-1 |
| | | 2 | 2 | | 751- 950 530 2 | | 10 6-32008-05-0-1 |
| | | 2 | 2 | | 951-1200 740 2 | | 10 6-32008-07-0-1 |
| | | 2 | 2 | | 1201-1600 1050 3 | | 10 6-32008-10-0-1 |
| 1 | 1 | 1 | 1 | 1 | Run-up block | | 100 9-41796-00-0-1 |
| 1 | 1 | 1 | 1 | 1 | Sec striker | | 100 (acc. to profile) |
| Strikers – standard | | | | | | | |
| SRH / SRW 280-750 751-1200 1201-1600 | | | | | | | |
| 781-2450 1 3 5 | | | | | | | |

[3] SRH 2451-2800: refer to installation drawing

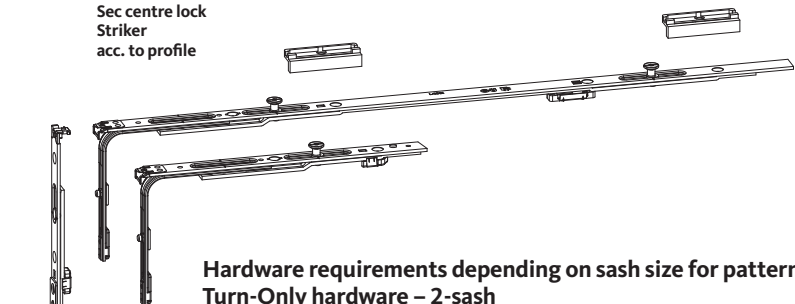


UNI-JET central locking – Turn-Only hardware

2-sash – variable handle height, 9 and 13 mm axis – basic security



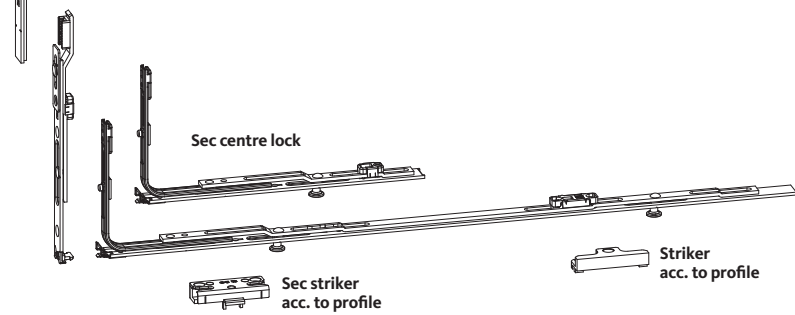
Sec centre lock
Striker
acc. to profile



Hardware requirements depending on sash size for patterns A to E Turn-Only hardware – 2-sash

| Qty. | Description | | | | | PU | Order no. | | | | |
|------|-------------|------------------------|---|---|--|---------|----------------|------------------------|-----|-------------------|----------------|
| A | B | C | D | E | | | | | | | |
| 1 | 1 | 1 | 1 | 1 | Gear connector 90° | 100 | 6-32624-00-0-1 | | | | |
| 1 | 1 | 1 | 1 | 1 | Gear connector 180° | 100 | 6-32303-00-0-1 | | | | |
| | | Gear | | | VHH gear, 15BS | | | VHH gear, 7.5BS | | | |
| | | | | | SRH [3] | F-plate | LC | VHH | | | |
| 1 | | 1 | | | 480- 590 | 270 | | 240- 295 | 10 | G-22080-00-0-1 | |
| 1 | | 1 | | | 591- 750 | 430 | | 295- 375 | 10 | G-22081-00-0-1 | |
| 1 | | 1 | | | 751-1200 | 880 | 1 | 375- 600 | 10 | G-22082-00-0-1 | G-22102-00-0-1 |
| | 1 | | 1 | | 951-1450 | 1130 | 1 | 475- 725 | 10 | G-22083-00-0-1 | G-22103-00-0-1 |
| | 1 | | 1 | | 1451-1950 | 1630 | 2 | 725- 975 | 10 | G-22085-00-0-1 | G-22105-00-0-1 |
| | | | 1 | | 1951-2450 | 2130 | 3 | 975-1225 | 10 | G-22086-00-0-1 | G-22106-00-0-1 |
| | | Sec centre lock | | | | | | | | | |
| | | | | | SRW | F-plate | LC | | | | |
| 2 | 2 | | | 2 | 280- 750 | 230 | 1 | | 10 | 6-32010-00-0-1 | |
| | | 2 | 2 | | 751- 950 | 530 | 2 | | 10 | 6-32008-05-0-1 | |
| | | 2 | 2 | | 951-1200 | 740 | 2 | | 10 | 6-32008-07-0-1 | |
| | | 2 | 2 | | 1201-1600 | 1050 | 3 | | 10 | 6-32008-10-0-1 | |
| 1 | 1 | 1 | 1 | 1 | Sec striker | | | | 100 | (acc. to profile) | |
| | | VHH gear, 7.5BS | | | Strikers – standard | | | | 100 | (acc. to profile) | |
| | | | | | SRH / SRW | 280-750 | 751-1200 | 1201-1600 | | | |
| | | | | | 480-2450 | 1 | 3 | 5 | | | |
| | | VHH gear, 15BS | | | [3] SRH 2451-2800: refer to installation drawing | | | | | | |

Gear conn. 180°



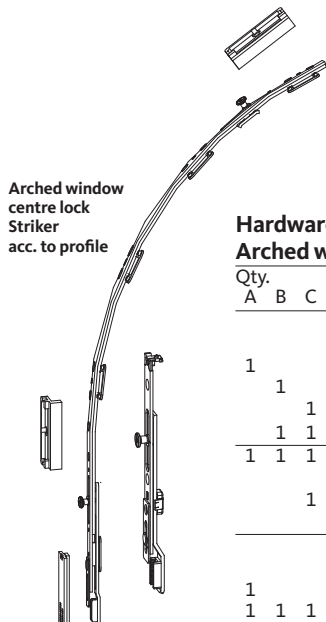
Sec centre lock

Sec striker
acc. to profile

Striker
acc. to profile

UNI-JET central locking – Arched window hardware

1-sash – variable handle height, 9 and 13 mm axis – basic security



Arched window centre lock Striker acc. to profile

Gear conn. 180° Striker acc. to profile

VHH gear, 15BS Striker acc. to profile

Sash lifter with M.D. Run-up stop acc. to profile

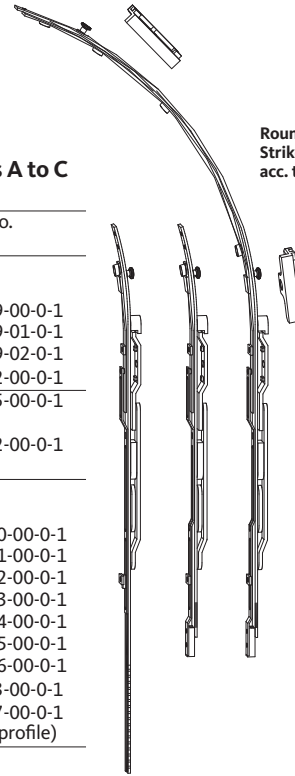


Gear connector 180°

Hardware requirements dep. on sash size for patterns A to C Arched window hardware – 1-sash

| Qty. | Description | | | | PU | Order no. |
|-------------------------------|-------------|---|------------------------------------|----------|---------------|-----------------------|
| | A | B | C | | | |
| Arched stay | | | | | | |
| | | | SRWA | SRW | LC | |
| 1 | | | 480- 580 | - 620 | 1 | 10 6-30369-00-0-1 |
| | 1 | | 581-2090 | - 620 | 1 | 10 6-30369-01-0-1 |
| | | 1 | 661-2090 | 621-1250 | 2 | 10 6-30369-02-0-1 |
| | 1 | 1 | Support plate | | SRWA 581-2090 | 100 9-39782-00-0-1 |
| 1 | 1 | 1 | Gear connector 180° | | | 100 6-32105-00-0-1 |
| | | | SRW 455-910 | 1 LC | | |
| | 1 | | Arched window centre lock | | | 10 6-32952-00-0-1 |
| | | | SRW 911-1250 | 2 LC | | |
| VHH gear, 15BS | | | | | | |
| | | | SRWA | F-plate | LC | VHH |
| 1 | | | 480- 590 | 270 | 240- 295 | 10 G-22080-00-0-1 |
| 1 | 1 | 1 | 591- 750 | 430 | 295- 375 | 10 G-22081-00-0-1 |
| | 1 | 1 | 751-1200 | 880 | 375- 600 | 10 G-22082-00-0-1 |
| | 1 | 1 | 951-1450 | 1130 | 475- 725 | 10 G-22083-00-0-1 |
| | 1 | 1 | 1201-1700 | 1380 | 600- 850 | 10 G-22084-00-0-1 |
| | 1 | 1 | 1451-1950 | 1630 | 725- 975 | 10 G-22085-00-0-1 |
| | 1 | 1 | 1951-2090 | 2130 | 975-1045 | 10 G-22086-00-0-1 |
| 1 | 1 | 1 | Gear connector 180° | | | 100 6-32303-00-0-1 |
| 1 | 1 | 1 | Sash lifter w. M.D. | | SRWA 591-2090 | 100 6-29987-00-0-1 |
| 1 | 1 | 1 | Run-up stop | | SRWA 591-2090 | 100 (acc. to profile) |
| Extension – hinge side | | | | | | |
| | | | SRWA | F-plate | LC | |
| 1 | 1 | 1 | 581- 790 | 415 | | 10 6-26741-00-0-1 |
| 1 | 1 | 1 | 791-1200 | 750 | 1 | 10 6-32781-01-0-1 |
| 1 | 1 | 1 | 1201-1590 | 1130 | 1 | 10 6-32781-02-0-1 |
| 1 | 1 | 1 | 1591-2090 | 1630 | 1 | 10 6-32781-03-0-1 |
| 1 | 1 | 1 | T&T centre lock 215-C | | | 10 6-32013-00-0-1 |
| 1 | 1 | 1 | Run-up block | | SRW 455-590 | 100 9-41796-00-0-1 |
| Extension – bottom | | | | | | |
| | | | SRW [2] | F-plate | LC | |
| 1 | | | 455- 590 | 75-210 | | (Faceplate/rod) |
| 1 | 1 | 1 | 591- 630 | 80-120 | | (Faceplate/rod) |
| 1 | 1 | 1 | 631- 840 | 415 | | 10 6-26741-00-0-1 |
| | 1 | 1 | 841-1250 | 750 | 1 | 10 6-32781-01-0-1 |
| 1 | 1 | 1 | Run-up block extension | | | 100 6-33711-00-0-1 |
| 1 | 1 | 1 | Run-up block | | | 100 (acc. to profile) |
| 1 | 1 | 1 | Packer | | | 100 (acc. to profile) |
| | | | SRW | | | |
| | | | 591-1250 | | | |
| 1 | 1 | 1 | Corner drive [3] | | | 100 6-26743-00-0-1 |
| 1 | 1 | 1 | Sec striker – tilt function | | | 100 (acc. to profile) |
| Strikers – standard | | | | | | |
| | | | SRWA / SRW | 455-620 | 621-840 | 841-910 |
| | | | | 911-1250 | | |
| | | | 480- 750 | 2 | 3 | 4 |
| | | | 751- 790 | 3 | 4 | 5 |
| | | | 791-1450 | 4 | 5 | 6 |
| | | | 1451-1950 | 5 | 6 | 7 |
| | | | 1951-2090 | 6 | 7 | 8 |
| | | | | | | 9 |

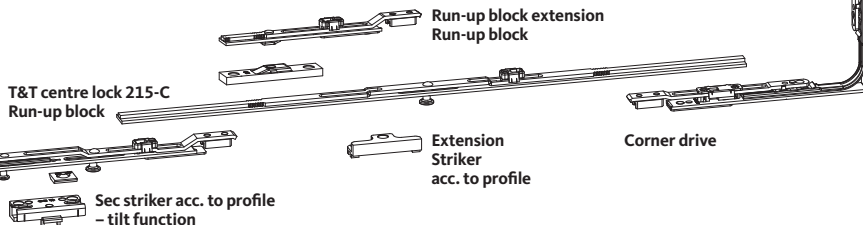
[2] SRW 455-590 only without run-up block extension
[3] Corner drive only in combination with drill-in hinge. Alternatively: rebate corner-drive hinge



Round arch stay arm Striker acc. to profile

Support plate

Extension Striker acc. to profile



T&T centre lock 215-C Run-up block

Run-up block extension Run-up block

Extension Striker acc. to profile

Corner drive

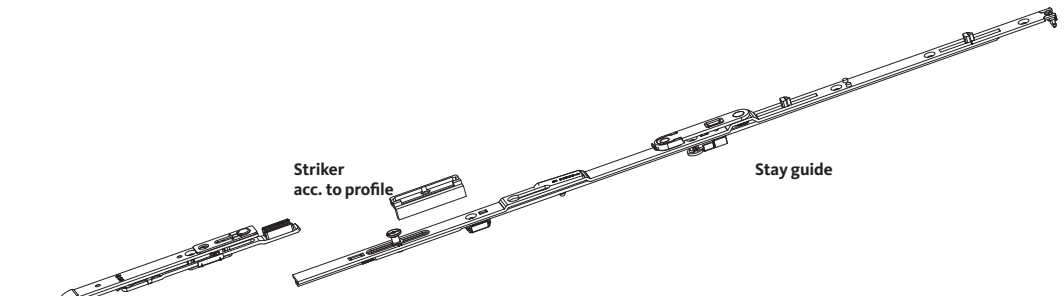
Sec striker acc. to profile – tilt function

UNI-JET central locking – Pitched window hardware

1-sash – variable handle height, 9 and 13 mm axis – basic security



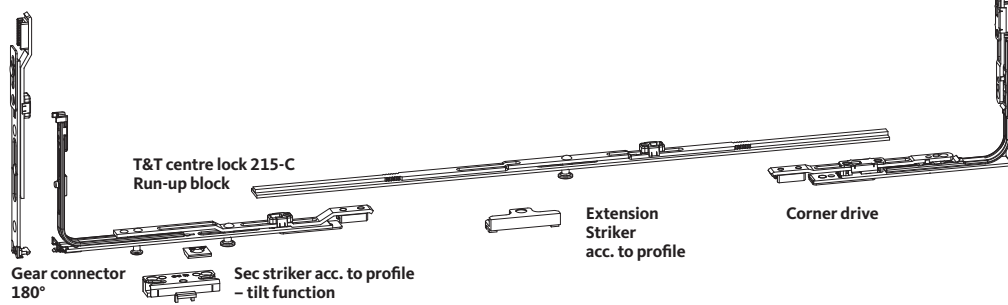
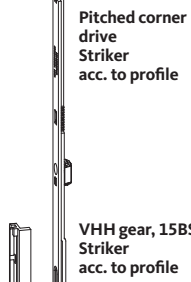
D



Hardware requirements depending on sash size for patterns A to E Pitched window hardware – 1-sash

| Qty. | | | | | Description | PU | Order no. |
|--|---|---|---|---|------------------------------------|-----|-------------------|
| A | B | C | D | E | | | |
| 1 | 1 | 1 | 1 | 1 | Pitched corner drive 1 LC | 100 | 6-32086-00-0-1 |
| Stay guide | | | | | | | |
| SRWP F-plate LC | | | | | | | |
| 1 | 1 | | | | 455- 510 350 | 10 | 6-31512-03-0-1 |
| 1 | 1 | | | | 511- 760 590 | 10 | 6-31512-06-0-1 |
| | | 1 | 1 | 1 | 761- 960 840 1 | 10 | 6-31512-08-0-1 |
| | | 1 | 1 | 1 | 961-1210 1040 1 | 10 | 6-31512-10-0-1 |
| | | 1 | 1 | 1 | 1211-1460 1290 1 | 10 | 6-31512-12-0-1 |
| VHH gear, 15BS | | | | | | | |
| SRHP F-plate LC VHH | | | | | | | |
| 1 | | 1 | | | 480- 590 270 240- 295 | 10 | G-22080-00-0-1 |
| 1 | | 1 | | | 591- 750 430 295- 375 | 10 | G-22081-00-0-1 |
| 1 | 1 | 1 | 1 | | 751-1200 880 1 375- 600 | 10 | G-22082-00-0-1 |
| | 1 | | 1 | | 951-1450 1130 1 475- 725 | 10 | G-22083-00-0-1 |
| | 1 | | 1 | | 1201-1700 1380 2 600- 850 | 10 | G-22084-00-0-1 |
| | 1 | | 1 | | 1451-1950 1630 2 725- 975 | 10 | G-22085-00-0-1 |
| | | | 1 | | 1951-2450 2130 3 975-1225 | 10 | G-22086-00-0-1 |
| 1 | 1 | 1 | 1 | 1 | Gear connector 180° | 100 | 6-32303-00-0-1 |
| Centre lock – hinge side | | | | | | | |
| SRHP F-plate LC | | | | | | | |
| | 1 | | 1 | | 581- 790 415 | 10 | 6-26741-00-0-1 |
| | 1 | | 1 | | 791-1200 750 1 | 10 | 6-32781-01-0-1 |
| | 1 | | 1 | | 1201-1590 1130 1 | 10 | 6-32781-02-0-1 |
| | | | 1 | | 1591-2450 1630 1 | 10 | 6-32781-03-0-1 |
| | 1 | | 1 | 1 | Gear connector 180° 1 LC | 100 | 6-32105-00-0-1 |
| 1 | 1 | 1 | 1 | 1 | T&T centre lock 215-C | 10 | 6-32013-00-0-1 |
| 1 | 1 | 1 | 1 | 1 | Run-up block | 100 | 9-41796-00-0-1 |
| Centre lock – bottom | | | | | | | |
| SRW F-plate LC | | | | | | | |
| | 1 | | | 1 | 455- 500 75-120 | | (Faceplate/rod) |
| | 1 | | | 1 | 501- 770 415 | 10 | 6-26741-00-0-1 |
| | | 1 | 1 | 1 | 771-1070 750 1 | 10 | 6-32781-01-0-1 |
| | | 1 | 1 | 1 | 1071-1260 1130 1 | 10 | 6-32781-02-0-1 |
| | 1 | | 1 | 1 | Corner drive [1] | 100 | 6-26743-00-0-1 |
| 1 | 1 | 1 | 1 | 1 | Sec striker – tilt function | 100 | (acc. to profile) |
| Strikers – standard | | | | | | | |
| SRHP / SRW 455-760 761-770 771-1260 | | | | | | | |
| 480- 750 1 2 3 | | | | | | | |
| 751- 790 3 4 5 | | | | | | | |
| 791-1200 4 5 6 | | | | | | | |
| 1201-1950 5 6 7 | | | | | | | |
| 1951-2450 6 7 8 | | | | | | | |

[1] Corner drive only in combination with drill-in hinge. Alternatively: rebate corner-drive hinge



UNI-JET S-CONCEALED central locking – T&T / TF

1-sash – variable handle height, 9 and 13 mm axis – basic security



Hardware requirements depending on sash size for patterns A to E
Tilt&Turn/Tilt-First hardware – 1-sash

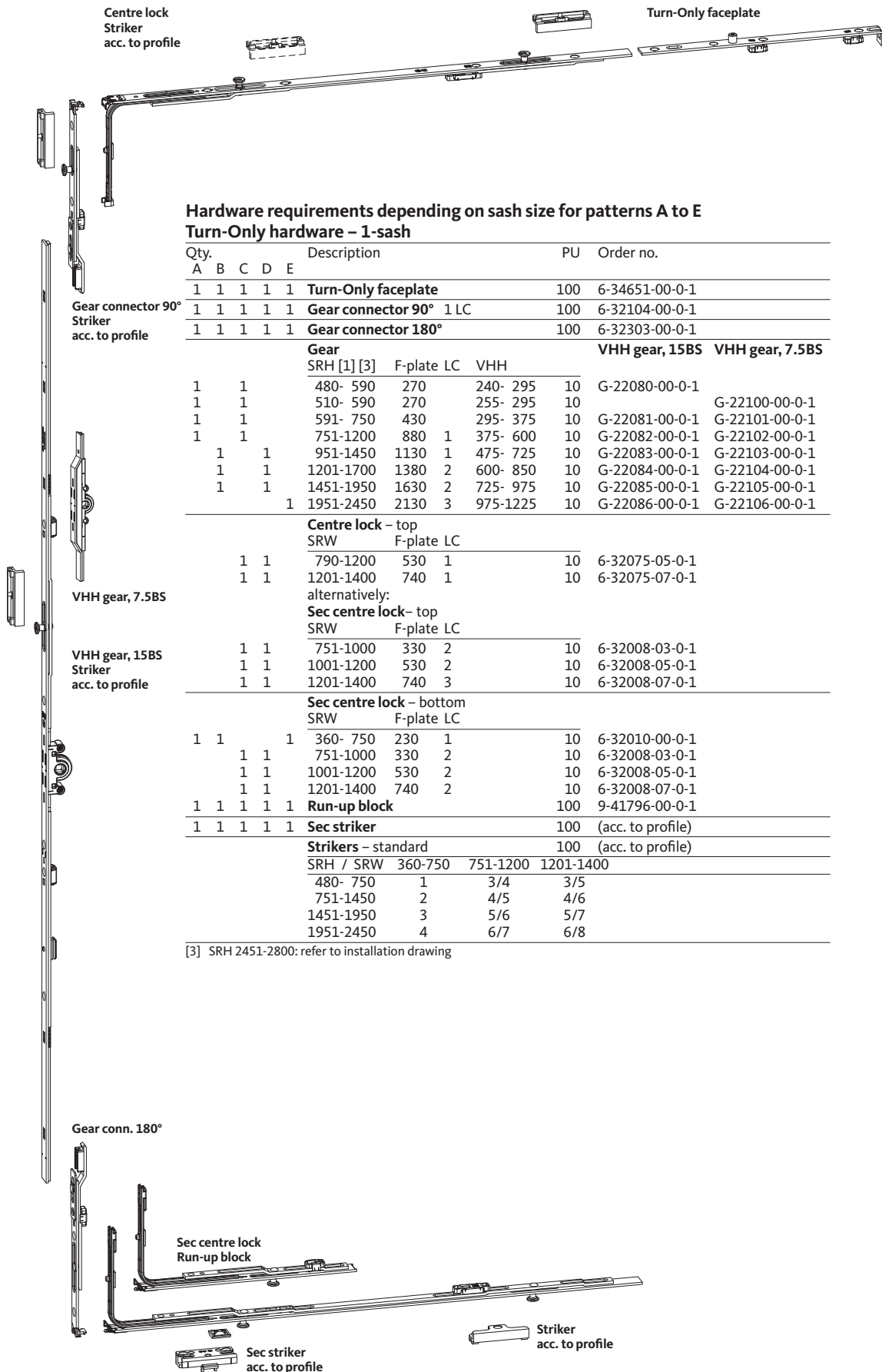
| Qty. | | Description | | PU | Order no. |
|-------------------------------|---|-------------------------------------|------------|-----------------------|--|
| A | B | C | D | E | |
| 1 | 1 | 1 | 1 | 1 | Corner drive 1 LC 100 6-32021-00-0-1 |
| alternatively: | | | | | |
| 1 | 1 | 1 | 1 | 1 | Corner drive 2 LC 100 6-31753-00-0-1 |
| 1 | 1 | 1 | 1 | 1 | Gear connector 180° 100 6-32303-00-0-1 |
| | | Stay guide – Add. stay [2] | | Tilt&Turn | Tilt-First |
| | | SRW [1] | F-plate LC | | |
| 1 | 1 | | 420- 500 | 590 | 10 6-34088-06-0-1 6-34088-06-0-1 |
| 1 | 1 | | 501- 750 | 590 | 10 6-34088-06-0-1 6-34088-06-0-1 |
| | 1 | 1 | 751- 950 | 840 1 | 10 6-34088-08-0-1 6-34088-08-0-1 |
| | 1 | 1 | 951-1200 | 1040 1 | 10 6-34088-10-0-1 6-34088-10-0-1 |
| | 1 | 1 | 1201-1300 | 1290 1 | 10 6-34088-12-0-1 6-34088-12-0-1 |
| | 1 | 1 | 1301-1400 | 1040 1 | 10 6-34088-10-0-1 6-34088-10-0-1 |
| | 1 | 1 | 1301-1400 | 250 Add. stay | 10 8-00734-00-0-1 G-45995-00-0-1 |
| | | Gear | | VHH gear, 15BS | VHH gear, 7.5BS |
| | | SRH [3] | F-plate LC | VHH | |
| 1 | 1 | | 480- 590 | 270 240- 295 | 10 G-22080-00-0-1 |
| 1 | 1 | | 510- 590 | 270 255- 295 | 10 |
| 1 | 1 | | 591- 750 | 430 295- 375 | 10 G-22081-00-0-1 G-22101-00-0-1 |
| 1 | 1 | | 751-1200 | 880 1 375- 600 | 10 G-22082-00-0-1 G-22102-00-0-1 |
| 1 | 1 | 1 | 951-1450 | 1130 1 475- 725 | 10 G-22083-00-0-1 G-22103-00-0-1 |
| 1 | 1 | 1 | 1201-1700 | 1380 2 600- 850 | 10 G-22084-00-0-1 G-22104-00-0-1 |
| 1 | 1 | 1 | 1451-1950 | 1630 2 725- 975 | 10 G-22085-00-0-1 G-22105-00-0-1 |
| | | 1 | 1951-2450 | 2130 3 975-1225 | 10 G-22086-00-0-1 G-22106-00-0-1 |
| | | T&T centre lock – bottom | | | |
| | | SRW | F-plate LC | | |
| 1 | 1 | | 400- 750 | 230 1 | 10 6-32012-00-0-1 |
| | 1 | 1 | 751-1000 | 330 2 | 10 6-32076-03-0-1 |
| | 1 | 1 | 1001-1200 | 530 2 | 10 6-32076-05-0-1 |
| | 1 | 1 | 1201-1400 | 740 2 | 10 6-32076-07-0-1 |
| 1 | 1 | 1 | 1 | 1 | Run-up block 100 9-41796-00-0-1 |
| | | Sec centre lock – hinge side | | | |
| | | SRH [3] | F-plate LC | | |
| 1 | 1 | | 480- 720 | 230 1 | 10 6-32010-00-0-1 |
| 1 | 1 | | 721-1100 | 530 2 | 10 6-32008-05-0-1 |
| 1 | 1 | | 1101-1350 | 740 2 | 10 6-32008-07-0-1 |
| 1 | 1 | | 1351-1700 | 1190 3 | 10 6-32008-12-0-1 |
| 1 | 1 | 1 | 1701-2100 | 1450 3 | 10 6-32008-15-0-1 |
| | | 1 | 2101-2450 | 1890 4 | 10 6-32008-19-0-1 |
| 1 | 1 | 1 | 1 | 1 | Sec striker – tilt function 100 (acc. to profile) |
| alternatively for Tilt-First: | | | | | |
| 1 | 1 | 1 | 1 | 1 | Sec TF striker – tilt function 100 6-32668-00-0-1 |
| 1 | 1 | 1 | 1 | 1 | Packer 100 (acc. to profile) |
| | | Strikers – standard | | | |
| | | SRH / SRW | 420-750 | 751-1400 | |
| | | | 480- 720 | 1/2 4/5 | |
| | | | 721- 750 | 2/3 5/6 | |
| | | | 751-1350 | 3/4 6/7 | |
| | | | 1351-1450 | 4/5 7/8 | |
| | | | 1451-1950 | 5/6 8/9 | |
| | | | 1951-2100 | 6/7 9/10 | |
| | | | 2101-2450 | 7/8 10/11 | |

[1] SRW 400-500 only with corner drive S 6-32238-00-0-1
 [2] Sash weights up to 100 kg = SRW 1301-1400 with additional stay and stay guide 6-34088-10-0-1
 Sash weights from 100 kg = SRW 1201-1400 with additional stay and stay guide 6-34088-10-0-1
 [3] SRH 2451-2800: refer to installation drawing

Additional stay
Striker acc. to profile
Stay guide
Additional stay
Corner drive Striker acc. to profile
VHH gear, 7.5BS
VHH gear, 15BS Striker acc. to profile
Centre lock Striker acc. to profile
Gear connector 180°
T&T centre lock Run-up block
Sec striker acc. to profile – tilt function
Tilt&Turn
Tilt-First sash, packer
Striker acc. to profile

UNI-JET S-CONCEALED central locking – Turn-Only

1-sash – variable handle height, 9 and 13 mm axis – basic security



Hardware requirements depending on sash size for patterns A to E Turn-Only hardware – 1-sash

| Qty. | | | | | Description | PU | Order no. | | | |
|------|---|---|---|---|---------------------------------|-----------------------|------------------------|-----------|-------------------|----------------|
| A | B | C | D | E | | | | | | |
| 1 | 1 | 1 | 1 | 1 | Turn-Only faceplate | 100 | 6-34651-00-0-1 | | | |
| 1 | 1 | 1 | 1 | 1 | Gear connector 90° 1 LC | 100 | 6-32104-00-0-1 | | | |
| 1 | 1 | 1 | 1 | 1 | Gear connector 180° | 100 | 6-32303-00-0-1 | | | |
| | | | | | Gear | VHH gear, 15BS | VHH gear, 7.5BS | | | |
| | | | | | SRH [1] [3] | F-plate LC | VHH | | | |
| 1 | 1 | | | | 480- 590 | 270 | 240- 295 | 10 | G-22080-00-0-1 | |
| 1 | 1 | | | | 510- 590 | 270 | 255- 295 | 10 | | G-22100-00-0-1 |
| 1 | 1 | | | | 591- 750 | 430 | 295- 375 | 10 | G-22081-00-0-1 | G-22101-00-0-1 |
| 1 | 1 | | | | 751-1200 | 880 | 375- 600 | 10 | G-22082-00-0-1 | G-22102-00-0-1 |
| | 1 | 1 | | | 951-1450 | 1130 | 475- 725 | 10 | G-22083-00-0-1 | G-22103-00-0-1 |
| | 1 | 1 | | | 1201-1700 | 1380 | 600- 850 | 10 | G-22084-00-0-1 | G-22104-00-0-1 |
| | 1 | 1 | | | 1451-1950 | 1630 | 725- 975 | 10 | G-22085-00-0-1 | G-22105-00-0-1 |
| | | | 1 | | 1951-2450 | 2130 | 975-1225 | 10 | G-22086-00-0-1 | G-22106-00-0-1 |
| | | | | | Centre lock – top | | | | | |
| | | | | | SRW | F-plate LC | | | | |
| | | 1 | 1 | | 790-1200 | 530 | 1 | 10 | 6-32075-05-0-1 | |
| | | 1 | 1 | | 1201-1400 | 740 | 1 | 10 | 6-32075-07-0-1 | |
| | | | | | alternatively: | | | | | |
| | | | | | Sec centre lock– top | | | | | |
| | | | | | SRW | F-plate LC | | | | |
| | | 1 | 1 | | 751-1000 | 330 | 2 | 10 | 6-32008-03-0-1 | |
| | | 1 | 1 | | 1001-1200 | 530 | 2 | 10 | 6-32008-05-0-1 | |
| | | 1 | 1 | | 1201-1400 | 740 | 3 | 10 | 6-32008-07-0-1 | |
| | | | | | Sec centre lock – bottom | | | | | |
| | | | | | SRW | F-plate LC | | | | |
| 1 | 1 | | | 1 | 360- 750 | 230 | 1 | 10 | 6-32010-00-0-1 | |
| | | 1 | 1 | | 751-1000 | 330 | 2 | 10 | 6-32008-03-0-1 | |
| | | 1 | 1 | | 1001-1200 | 530 | 2 | 10 | 6-32008-05-0-1 | |
| | | 1 | 1 | | 1201-1400 | 740 | 2 | 10 | 6-32008-07-0-1 | |
| 1 | 1 | 1 | 1 | 1 | Run-up block | | | 100 | 9-41796-00-0-1 | |
| 1 | 1 | 1 | 1 | 1 | Sec striker | | | 100 | (acc. to profile) | |
| | | | | | Strikers – standard | | | 100 | (acc. to profile) | |
| | | | | | SRH / SRW | 360-750 | 751-1200 | 1201-1400 | | |
| | | | | | 480- 750 | 1 | 3/4 | 3/5 | | |
| | | | | | 751-1450 | 2 | 4/5 | 4/6 | | |
| | | | | | 1451-1950 | 3 | 5/6 | 5/7 | | |
| | | | | | 1951-2450 | 4 | 6/7 | 6/8 | | |

[3] SRH 2451-2800: refer to installation drawing

UNI-JET central locking – Sec Tilt&Turn / Tilt-First

1-sash – variable handle height, 9 and 13 mm axis – RC 2



Sec striker
acc. to profile

Stay guide

Hardware requirements depending on sash size for patterns A to E Sec Tilt&Turn / Tilt-First hardware – 1-sash

| Qty. | Description | | | | | PU | Order no. |
|---|-------------|---|---|---|---|-----------------------------------|----------------------------------|
| A B C D E | | | | | | | |
| 1 | 1 | 1 | 1 | 1 | 1 | Corner drive 2 LC | 100 6-31753-00-0-1 |
| 1 | 1 | 1 | 1 | 1 | 1 | Sec gear conn. 180° | 100 6-32303-00-0-1 |
| 6 | 6 | 6 | 6 | 6 | 6 | Clearance packer | 100 9-43219-00-0-1 |
| Stay guide – Extension 500 [2] | | | | | | | |
| SRW F-plate LC | | | | | | | |
| 1 | 1 | | | | | 401- 500 350 | 10 6-31512-03-0-1 |
| 1 | 1 | | | 1 | | 501- 750 590 | 10 6-31512-06-0-1 |
| 1 | 1 | 1 | 1 | 1 | 1 | 751- 950 840 1 | 10 6-31512-08-0-1 |
| 1 | 1 | 1 | 1 | 1 | 1 | 951-1200 1040 1 | 10 6-31512-10-0-1 |
| 1 | 1 | 1 | 1 | 1 | 1 | 1201-1450 1290 1 | 10 6-31512-12-0-1 |
| | | | 1 | 1 | | 1451-1600 1290 1 | 10 6-31512-12-0-1 |
| | | | 1 | 1 | | 1451-1600 500 1 | 10 6-32142-00-0-1 Extension 500 |
| Gear | | | | | | | |
| SRH [3] F-plate LC VHH VHH gear, 15BS VHH gear, 7.5BS | | | | | | | |
| 1 | 1 | | | | | 480- 590 270 240- 295 | 10 G-22080-00-0-1 |
| 1 | 1 | | | | | 510- 590 270 255- 295 | 10 G-22100-00-0-1 |
| 1 | 1 | | | | | 591- 750 430 295- 375 | 10 G-22081-00-0-1 G-22101-00-0-1 |
| 1 | 1 | | | | | 751-1200 880 1 375- 600 | 10 G-22082-00-0-1 G-22102-00-0-1 |
| | 1 | 1 | | | | 951-1450 1130 1 475- 725 | 10 G-22083-00-0-1 G-22103-00-0-1 |
| | 1 | 1 | | | | 1201-1700 1380 2 600- 850 | 10 G-22084-00-0-1 G-22104-00-0-1 |
| | 1 | 1 | | | | 1451-1950 1630 2 725- 975 | 10 G-22085-00-0-1 G-22105-00-0-1 |
| | | | 1 | | | 1951-2450 2130 3 975-1225 | 10 G-22086-00-0-1 G-22106-00-0-1 |
| 1 | 1 | 1 | 1 | 1 | 1 | Anti-drill plate – VHH gear, 15BS | 100 9-41749-00-0-0 |
| T&T centre lock – bottom | | | | | | | |
| SRW F-plate LC | | | | | | | |
| 1 | 1 | | | 1 | | 401- 750 230 1 | 10 6-32012-00-0-1 |
| | | | 1 | 1 | | 751- 950 530 2 | 10 6-32076-05-0-1 |
| | | | 1 | 1 | | 951-1200 740 2 | 10 6-32076-07-0-1 |
| | | | 1 | 1 | | 1201-1600 1050 3 | 10 6-32076-10-0-1 |
| Sec centre lock – hinge side | | | | | | | |
| SRH [3] F-plate LC | | | | | | | |
| 1 | 1 | | | | | 480- 750 230 1 | 10 6-32010-00-0-1 |
| | 1 | 1 | | | | 751-1100 530 2 | 10 6-32008-05-0-1 |
| | 1 | 1 | | | | 1101-1350 740 2 | 10 6-32008-07-0-1 |
| | 1 | 1 | | | | 1351-1700 1190 3 | 10 6-32008-12-0-1 |
| | | | 1 | | | 1701-2100 1450 3 | 10 6-32008-15-0-1 |
| | | | 1 | | | 2101-2450 1890 4 | 10 6-32008-19-0-1 |
| 1 | 1 | 1 | 1 | 1 | 1 | Sec striker – tilt function | 100 (acc. to profile) |
| alternatively for Tilt-First: | | | | | | | |
| 1 | 1 | 1 | 1 | 1 | 1 | Sec TF striker – tilt function | 100 6-32668-00-0-1 |
| 1 | 1 | 1 | 1 | 1 | 1 | Packer | 100 (acc. to profile) |
| Sec strikers | | | | | | | |
| SRH / SRW 401-750 751-1200 1201-1450 1451-1600 | | | | | | | |
| 480- 750 3 5 6 7 | | | | | | | |
| 751-1350 5 7 8 9 | | | | | | | |
| 1351-1450 6 8 9 10 | | | | | | | |
| 1451-1950 7 9 10 11 | | | | | | | |
| 1951-2100 8 10 11 12 | | | | | | | |
| 2101-2450 9 11 12 13 | | | | | | | |

[2] Extension 500 to be cropped to 250 mm
[3] SRH 2451-2800: refer to installation drawing

Sec gear
connector 180°

T&T centre lock

Sec striker
acc. to profile
– tilt function

Tilt&Turn

Tilt-First sash, packer

Striker
acc. to profile
Clearance packer

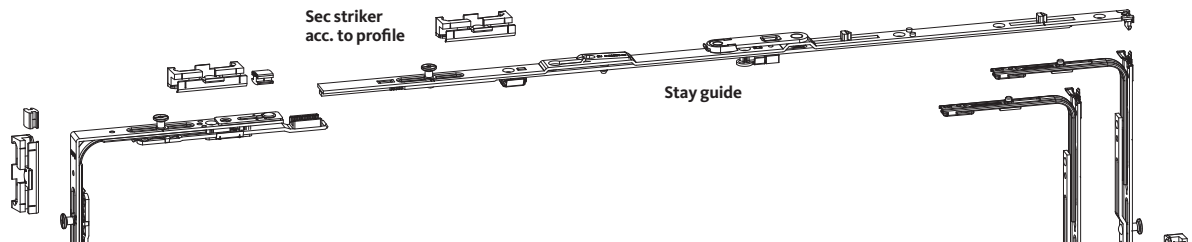
Sec centre lock
Sec striker
acc. to profile
Clearance packer

UNI-JET central locking – Sec Turn-Only hardware

1-sash – variable handle height, 9 and 13 mm axis – RC 2



D



Hardware requirements depending on sash size for patterns A to E Sec Turn-Only hardware – 1-sash

| Qty. | Description | | | | | PU | Order no. |
|---------------------------------------|-------------|---|---|---|--|--------|---|
| A | B | C | D | E | | | |
| 1 | 1 | 1 | 1 | 1 | Corner drive | 2 LC | 100 6-31753-00-0-1 |
| 1 | 1 | 1 | 1 | 1 | Sec gear conn. 180° | | 100 6-32303-00-0-1 |
| 6 | 6 | 6 | 6 | 6 | Clearance packer | | 100 9-43219-00-0-1 |
| Stay guide – Extension 500 [2] | | | | | | | |
| SRW | | | | | | | |
| F-plate LC | | | | | | | |
| 1 | 1 | | | | 401- 500 | 350 | 10 6-31512-03-0-1 |
| 1 | 1 | | | 1 | 501- 750 | 590 | 10 6-31512-06-0-1 |
| 1 | 1 | 1 | 1 | 1 | 751- 950 | 840 1 | 10 6-31512-08-0-1 |
| 1 | 1 | 1 | 1 | 1 | 951-1200 | 1040 1 | 10 6-31512-10-0-1 |
| 1 | 1 | 1 | 1 | 1 | 1201-1450 | 1290 1 | 10 6-31512-12-0-1 |
| | | | 1 | 1 | 1451-1600 | 1290 1 | 10 6-31512-12-0-1 |
| | | 1 | 1 | | 1451-1600 | 500 1 | 10 6-32142-00-0-1 Extension 500 |
| Gear | | | | | | | |
| SRH [3] | | | | | | | |
| F-plate LC | | | | | | | |
| VHH | | | | | | | |
| 1 | | 1 | | | 480- 590 | 270 | 240- 295 10 G-22080-00-0-1 |
| 1 | | 1 | | | 510- 590 | 270 | 255- 295 10 G-22100-00-0-1 |
| 1 | | 1 | | | 591- 750 | 430 | 295- 375 10 G-22081-00-0-1 G-22101-00-0-1 |
| 1 | | 1 | | | 751-1200 | 880 1 | 375- 600 10 G-22082-00-0-1 G-22102-00-0-1 |
| | 1 | | 1 | | 951-1450 | 1130 1 | 475- 725 10 G-22083-00-0-1 G-22103-00-0-1 |
| | 1 | | 1 | | 1201-1700 | 1380 2 | 600- 850 10 G-22084-00-0-1 G-22104-00-0-1 |
| | 1 | | 1 | | 1451-1950 | 1630 2 | 725- 975 10 G-22085-00-0-1 G-22105-00-0-1 |
| | 1 | | 1 | | 1951-2450 | 2130 3 | 975-1225 10 G-22086-00-0-1 G-22106-00-0-1 |
| 1 | 1 | 1 | 1 | 1 | Anti-drill plate – VHH gear, 15BS | | 100 9-41749-00-0-0 |
| T&T centre lock – bottom | | | | | | | |
| SRW | | | | | | | |
| F-plate LC | | | | | | | |
| 1 | 1 | | | 1 | 401- 750 | 230 1 | 10 6-32012-00-0-1 |
| | | 1 | 1 | | 751- 950 | 530 2 | 10 6-32076-05-0-1 |
| | | 1 | 1 | | 951-1200 | 740 2 | 10 6-32076-07-0-1 |
| | | 1 | 1 | | 1201-1600 | 1050 3 | 10 6-32076-10-0-1 |
| 1 | 1 | 1 | 1 | 1 | Travel restrictor 90° | | 100 9-33432-00-0-1 |
| Sec centre lock – hinge side | | | | | | | |
| SRH [3] | | | | | | | |
| F-plate LC | | | | | | | |
| 1 | | 1 | | | 480- 750 | 230 1 | 10 6-32010-00-0-1 |
| | 1 | | 1 | | 751-1100 | 530 2 | 10 6-32008-05-0-1 |
| | 1 | | 1 | | 1101-1350 | 740 2 | 10 6-32008-07-0-1 |
| | 1 | | 1 | | 1351-1700 | 1190 3 | 10 6-32008-12-0-1 |
| | | | 1 | | 1701-2100 | 1450 3 | 10 6-32008-15-0-1 |
| | | | 1 | | 2101-2450 | 1890 4 | 10 6-32008-19-0-1 |
| Sec strikers | | | | | | | |
| 100 (acc. to profile) | | | | | | | |
| SRH / SRW | | | | | | | |
| 401-750 751-1200 1201-1450 1451-1600 | | | | | | | |
| 480- 750 4 7 7 8 | | | | | | | |
| 751-1350 6 8 9 10 | | | | | | | |
| 1351-1450 7 9 10 11 | | | | | | | |
| 1451-1950 8 10 11 12 | | | | | | | |
| 1951-2100 9 11 12 13 | | | | | | | |
| 2101-2450 10 12 13 14 | | | | | | | |

Corner drive
Sec striker
acc. to profile
Clearance packer

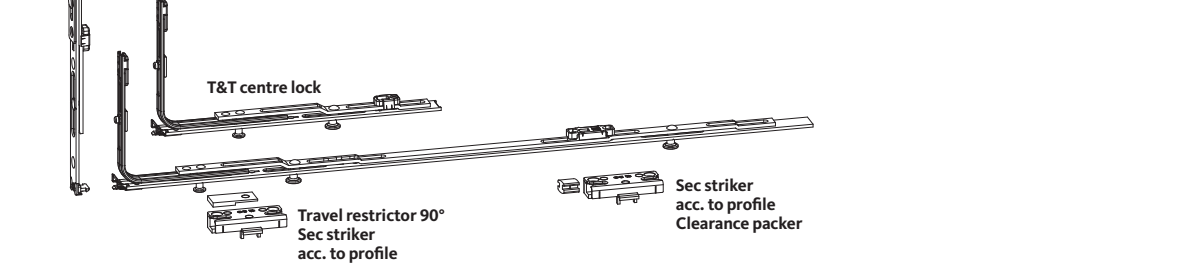
VHH gear, 7.5BS

VHH gear, 15BS
Sec striker
acc. to profile

Anti-drill plate

Sec gear
connector 180°

Sec centre lock
Sec striker
acc. to profile
Clearance packer



T&T centre lock

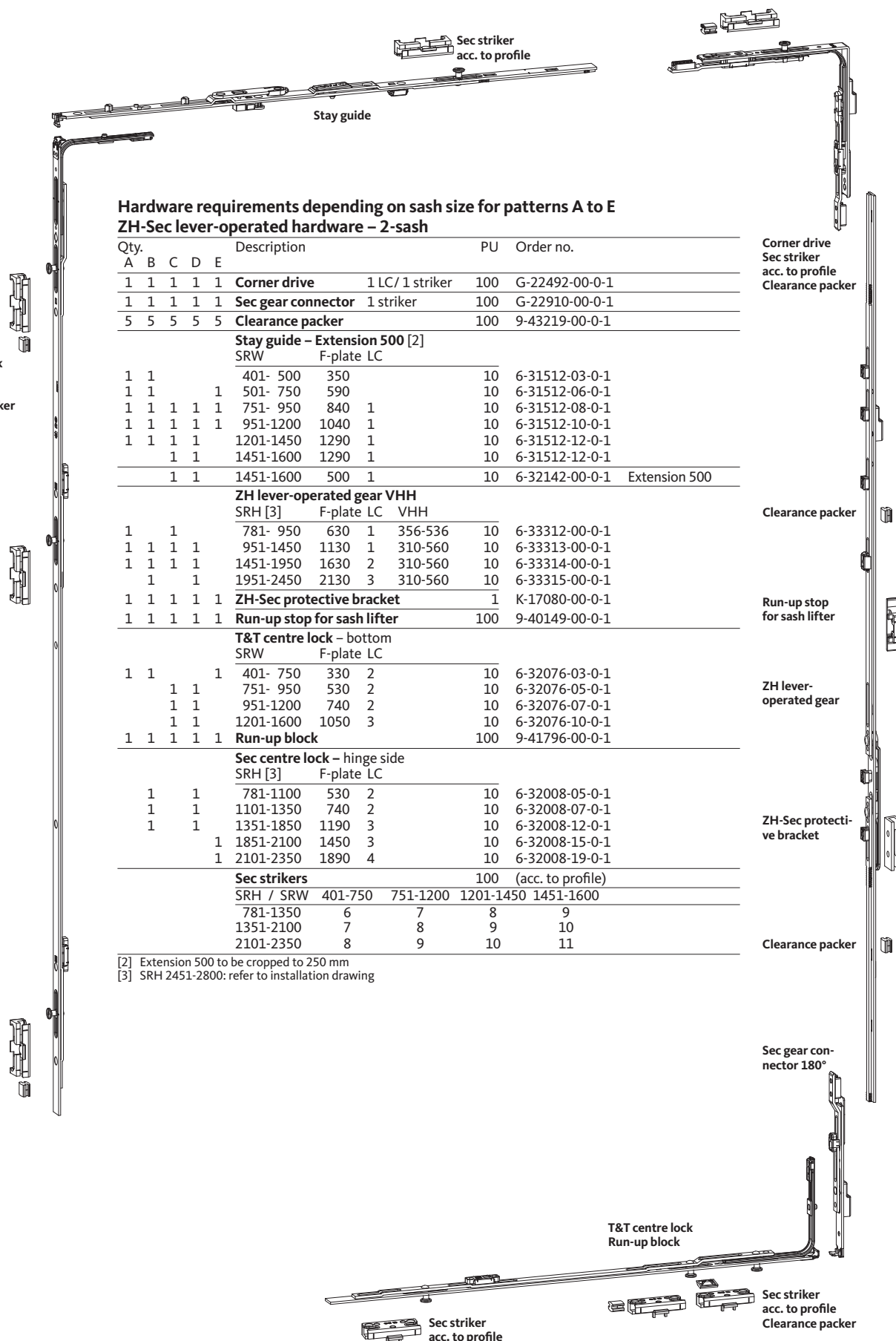
Travel restrictor 90°
Sec striker
acc. to profile

Sec striker
acc. to profile
Clearance packer

UNI-JET central locking – ZH-Sec lever-operated hardware



2-sash – variable handle height, 9 and 13 mm axis – RC 2



Hardware requirements depending on sash size for patterns A to E ZH-Sec lever-operated hardware – 2-sash

| Qty. | Description | | | | | PU | Order no. |
|--|-------------|---|---|---|------------------------------------|-----------------|---------------------------------|
| A | B | C | D | E | | | |
| 1 | 1 | 1 | 1 | 1 | Corner drive | 1 LC/ 1 striker | 100 G-22492-00-0-1 |
| 1 | 1 | 1 | 1 | 1 | Sec gear connector | 1 striker | 100 G-22910-00-0-1 |
| 5 | 5 | 5 | 5 | 5 | Clearance packer | | 100 9-43219-00-0-1 |
| Stay guide – Extension 500 [2] | | | | | | | |
| SRW F-plate LC | | | | | | | |
| 1 | 1 | | | | 401- 500 | 350 | 10 6-31512-03-0-1 |
| 1 | 1 | | | 1 | 501- 750 | 590 | 10 6-31512-06-0-1 |
| 1 | 1 | 1 | 1 | 1 | 751- 950 | 840 1 | 10 6-31512-08-0-1 |
| 1 | 1 | 1 | 1 | 1 | 951-1200 | 1040 1 | 10 6-31512-10-0-1 |
| 1 | 1 | 1 | 1 | 1 | 1201-1450 | 1290 1 | 10 6-31512-12-0-1 |
| | | | 1 | 1 | 1451-1600 | 1290 1 | 10 6-31512-12-0-1 |
| | | | 1 | 1 | 1451-1600 | 500 1 | 10 6-32142-00-0-1 Extension 500 |
| ZH lever-operated gear VHH | | | | | | | |
| SRH [3] F-plate LC VHH | | | | | | | |
| 1 | | 1 | | | 781- 950 | 630 1 356-536 | 10 6-33312-00-0-1 |
| 1 | 1 | 1 | 1 | | 951-1450 | 1130 1 310-560 | 10 6-33313-00-0-1 |
| 1 | 1 | 1 | 1 | | 1451-1950 | 1630 2 310-560 | 10 6-33314-00-0-1 |
| | | | 1 | 1 | 1951-2450 | 2130 3 310-560 | 10 6-33315-00-0-1 |
| 1 | 1 | 1 | 1 | 1 | ZH-Sec protective bracket | | 1 K-17080-00-0-1 |
| 1 | 1 | 1 | 1 | 1 | Run-up stop for sash lifter | | 100 9-40149-00-0-1 |
| T&T centre lock – bottom | | | | | | | |
| SRW F-plate LC | | | | | | | |
| 1 | 1 | | | 1 | 401- 750 | 330 2 | 10 6-32076-03-0-1 |
| | | 1 | 1 | | 751- 950 | 530 2 | 10 6-32076-05-0-1 |
| | | 1 | 1 | | 951-1200 | 740 2 | 10 6-32076-07-0-1 |
| | | 1 | 1 | | 1201-1600 | 1050 3 | 10 6-32076-10-0-1 |
| 1 | 1 | 1 | 1 | 1 | Run-up block | | 100 9-41796-00-0-1 |
| Sec centre lock – hinge side | | | | | | | |
| SRH [3] F-plate LC | | | | | | | |
| 1 | | 1 | | | 781-1100 | 530 2 | 10 6-32008-05-0-1 |
| 1 | | 1 | | | 1101-1350 | 740 2 | 10 6-32008-07-0-1 |
| 1 | | 1 | | | 1351-1850 | 1190 3 | 10 6-32008-12-0-1 |
| | | | 1 | | 1851-2100 | 1450 3 | 10 6-32008-15-0-1 |
| | | | 1 | | 2101-2350 | 1890 4 | 10 6-32008-19-0-1 |
| Sec strikers | | | | | | | |
| SRH / SRW 401-750 751-1200 1201-1450 1451-1600 | | | | | | | |
| | | | | | 781-1350 | 6 7 8 9 | 100 (acc. to profile) |
| | | | | | 1351-2100 | 7 8 9 10 | |
| | | | | | 2101-2350 | 8 9 10 11 | |

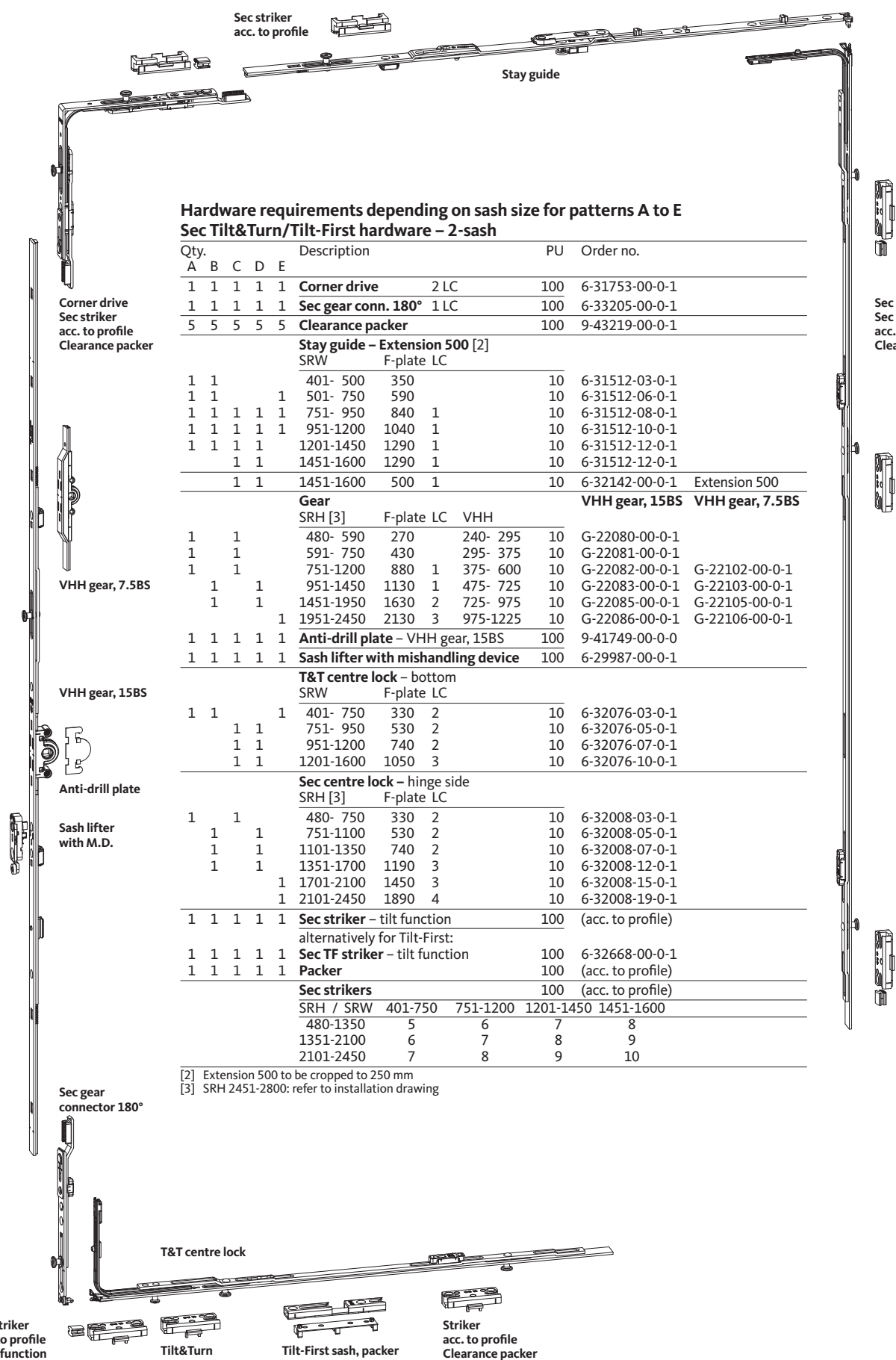
[2] Extension 500 to be cropped to 250 mm
 [3] SRH 2451-2800: refer to installation drawing

UNI-JET central locking – Sec Tilt&Turn / Tilt-First

2-sash – variable handle height, 9 and 13 mm axis – RC 2



D



Hardware requirements depending on sash size for patterns A to E Sec Tilt&Turn/Tilt-First hardware – 2-sash

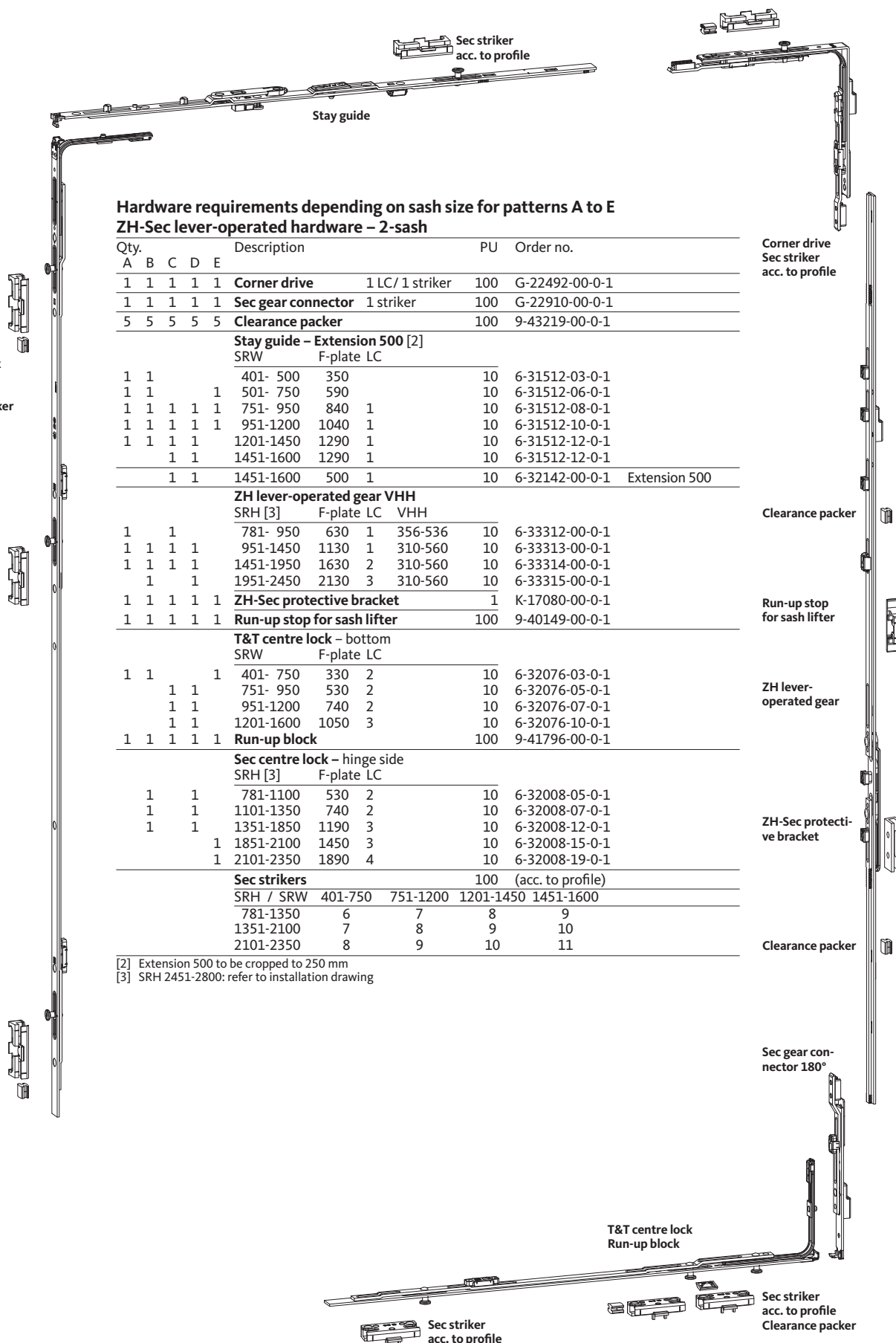
| Qty. | Description | | | | | PU | Order no. |
|---------------------------------------|-------------|---|---|---|--|------------------|---------------------------------|
| A | B | C | D | E | | | |
| 1 | 1 | 1 | 1 | 1 | Corner drive | 2 LC | 100 6-31753-00-0-1 |
| 1 | 1 | 1 | 1 | 1 | Sec gear conn. 180° | 1 LC | 100 6-33205-00-0-1 |
| 5 | 5 | 5 | 5 | 5 | Clearance packer | | 100 9-43219-00-0-1 |
| Stay guide – Extension 500 [2] | | | | | | | |
| SRW | | | | | | F-plate | LC |
| 1 | 1 | | | | 401- 500 | 350 | 10 6-31512-03-0-1 |
| 1 | 1 | | | 1 | 501- 750 | 590 | 10 6-31512-06-0-1 |
| 1 | 1 | 1 | 1 | 1 | 751- 950 | 840 1 | 10 6-31512-08-0-1 |
| 1 | 1 | 1 | 1 | 1 | 951-1200 | 1040 1 | 10 6-31512-10-0-1 |
| 1 | 1 | 1 | 1 | 1 | 1201-1450 | 1290 1 | 10 6-31512-12-0-1 |
| | | | 1 | 1 | 1451-1600 | 1290 1 | 10 6-31512-12-0-1 |
| | | 1 | 1 | | 1451-1600 | 500 1 | 10 6-32142-00-0-1 Extension 500 |
| Gear | | | | | | | |
| SRH [3] | | | | | | F-plate | LC |
| VHH | | | | | | VHH | |
| 1 | | 1 | | | 480- 590 | 270 | 240- 295 10 G-22080-00-0-1 |
| 1 | | 1 | | | 591- 750 | 430 | 295- 375 10 G-22081-00-0-1 |
| 1 | | 1 | | | 751-1200 | 880 1 | 375- 600 10 G-22082-00-0-1 |
| | 1 | | 1 | | 951-1450 | 1130 1 | 475- 725 10 G-22083-00-0-1 |
| | 1 | | 1 | | 1451-1950 | 1630 2 | 725- 975 10 G-22085-00-0-1 |
| | | | | 1 | 1951-2450 | 2130 3 | 975-1225 10 G-22086-00-0-1 |
| 1 | 1 | 1 | 1 | 1 | Anti-drill plate – VHH gear, 15BS | | 100 9-41749-00-0-0 |
| 1 | 1 | 1 | 1 | 1 | Sash lifter with mishandling device | | 100 6-29987-00-0-1 |
| T&T centre lock – bottom | | | | | | | |
| SRW | | | | | | F-plate | LC |
| 1 | 1 | | | 1 | 401- 750 | 330 2 | 10 6-32076-03-0-1 |
| | | | 1 | 1 | 751- 950 | 530 2 | 10 6-32076-05-0-1 |
| | | | 1 | 1 | 951-1200 | 740 2 | 10 6-32076-07-0-1 |
| | | | 1 | 1 | 1201-1600 | 1050 3 | 10 6-32076-10-0-1 |
| Sec centre lock – hinge side | | | | | | | |
| SRH [3] | | | | | | F-plate | LC |
| 1 | | 1 | | | 480- 750 | 330 2 | 10 6-32008-03-0-1 |
| | 1 | | 1 | | 751-1100 | 530 2 | 10 6-32008-05-0-1 |
| | 1 | | 1 | | 1101-1350 | 740 2 | 10 6-32008-07-0-1 |
| | 1 | | 1 | | 1351-1700 | 1190 3 | 10 6-32008-12-0-1 |
| | | | | 1 | 1701-2100 | 1450 3 | 10 6-32008-15-0-1 |
| | | | | 1 | 2101-2450 | 1890 4 | 10 6-32008-19-0-1 |
| 1 | 1 | 1 | 1 | 1 | Sec striker – tilt function | | 100 (acc. to profile) |
| alternatively for Tilt-First: | | | | | | | |
| 1 | 1 | 1 | 1 | 1 | Sec TF striker – tilt function | | 100 6-32668-00-0-1 |
| 1 | 1 | 1 | 1 | 1 | Packer | | 100 (acc. to profile) |
| Sec strikers | | | | | | | 100 (acc. to profile) |
| SRH / SRW | | | | | | 401-750 | 751-1200 |
| | | | | | | 1201-1450 | 1451-1600 |
| 480-1350 | | | | | | 5 | 6 7 8 |
| 1351-2100 | | | | | | 6 | 7 8 9 |
| 2101-2450 | | | | | | 7 | 8 9 10 |

[2] Extension 500 to be cropped to 250 mm
[3] SRH 2451-2800: refer to installation drawing

UNI-JET central locking – ZH-Sec lever-operated hardware



2-sash – variable handle height, 9 and 13 mm axis – RC 2



Hardware requirements depending on sash size for patterns A to E ZH-Sec lever-operated hardware – 2-sash

| Qty. | Description | | | | | PU | Order no. |
|--|-------------|---|---|---|------------------------------------|-----------------|---------------------------------|
| A | B | C | D | E | | | |
| 1 | 1 | 1 | 1 | 1 | Corner drive | 1 LC/ 1 striker | 100 G-22492-00-0-1 |
| 1 | 1 | 1 | 1 | 1 | Sec gear connector | 1 striker | 100 G-22910-00-0-1 |
| 5 | 5 | 5 | 5 | 5 | Clearance packer | | 100 9-43219-00-0-1 |
| Stay guide – Extension 500 [2] | | | | | | | |
| SRW F-plate LC | | | | | | | |
| 1 | 1 | | | | 401- 500 | 350 | 10 6-31512-03-0-1 |
| 1 | 1 | | | 1 | 501- 750 | 590 | 10 6-31512-06-0-1 |
| 1 | 1 | 1 | 1 | 1 | 751- 950 | 840 1 | 10 6-31512-08-0-1 |
| 1 | 1 | 1 | 1 | 1 | 951-1200 | 1040 1 | 10 6-31512-10-0-1 |
| 1 | 1 | 1 | 1 | | 1201-1450 | 1290 1 | 10 6-31512-12-0-1 |
| | | | 1 | 1 | 1451-1600 | 1290 1 | 10 6-31512-12-0-1 |
| | | | 1 | 1 | 1451-1600 | 500 1 | 10 6-32142-00-0-1 Extension 500 |
| ZH lever-operated gear VHH | | | | | | | |
| SRH [3] F-plate LC VHH | | | | | | | |
| 1 | | 1 | | | 781- 950 | 630 1 356-536 | 10 6-33312-00-0-1 |
| 1 | 1 | 1 | 1 | | 951-1450 | 1130 1 310-560 | 10 6-33313-00-0-1 |
| 1 | 1 | 1 | 1 | | 1451-1950 | 1630 2 310-560 | 10 6-33314-00-0-1 |
| | | | 1 | 1 | 1951-2450 | 2130 3 310-560 | 10 6-33315-00-0-1 |
| 1 | 1 | 1 | 1 | 1 | ZH-Sec protective bracket | | 1 K-17080-00-0-1 |
| 1 | 1 | 1 | 1 | 1 | Run-up stop for sash lifter | | 100 9-40149-00-0-1 |
| T&T centre lock – bottom | | | | | | | |
| SRW F-plate LC | | | | | | | |
| 1 | 1 | | | 1 | 401- 750 | 330 2 | 10 6-32076-03-0-1 |
| | | 1 | 1 | | 751- 950 | 530 2 | 10 6-32076-05-0-1 |
| | | 1 | 1 | | 951-1200 | 740 2 | 10 6-32076-07-0-1 |
| | | 1 | 1 | | 1201-1600 | 1050 3 | 10 6-32076-10-0-1 |
| 1 | 1 | 1 | 1 | 1 | Run-up block | | 100 9-41796-00-0-1 |
| Sec centre lock – hinge side | | | | | | | |
| SRH [3] F-plate LC | | | | | | | |
| 1 | | 1 | | | 781-1100 | 530 2 | 10 6-32008-05-0-1 |
| 1 | | 1 | | | 1101-1350 | 740 2 | 10 6-32008-07-0-1 |
| 1 | | 1 | | | 1351-1850 | 1190 3 | 10 6-32008-12-0-1 |
| | | | 1 | | 1851-2100 | 1450 3 | 10 6-32008-15-0-1 |
| | | | 1 | | 2101-2350 | 1890 4 | 10 6-32008-19-0-1 |
| Sec strikers | | | | | | | |
| SRH / SRW 401-750 751-1200 1201-1450 1451-1600 | | | | | | | |
| | | | | | 781-1350 | 6 7 8 9 | 100 (acc. to profile) |
| | | | | | 1351-2100 | 7 8 9 10 | |
| | | | | | 2101-2350 | 8 9 10 11 | |

[2] Extension 500 to be cropped to 250 mm
[3] SRH 2451-2800: refer to installation drawing

UNI-JET central locking – Sec Turn-Only hardware

2-sash – variable handle height, 9 and 13 mm axis – RC 2



D

Sec striker acc. to profile

Stay guide

Corner drive
Sec striker acc. to profile
Clearance packer

VHH gear, 7.5BS

VHH gear, 15BS

Anti-drill plate

Sash lifter with M.D.

Sec gear connector 180°

T&T centre lock

Travel restrictor 90°
Sec striker acc. to profile

Sec centre lock
Sec striker acc. to profile
Clearance packer

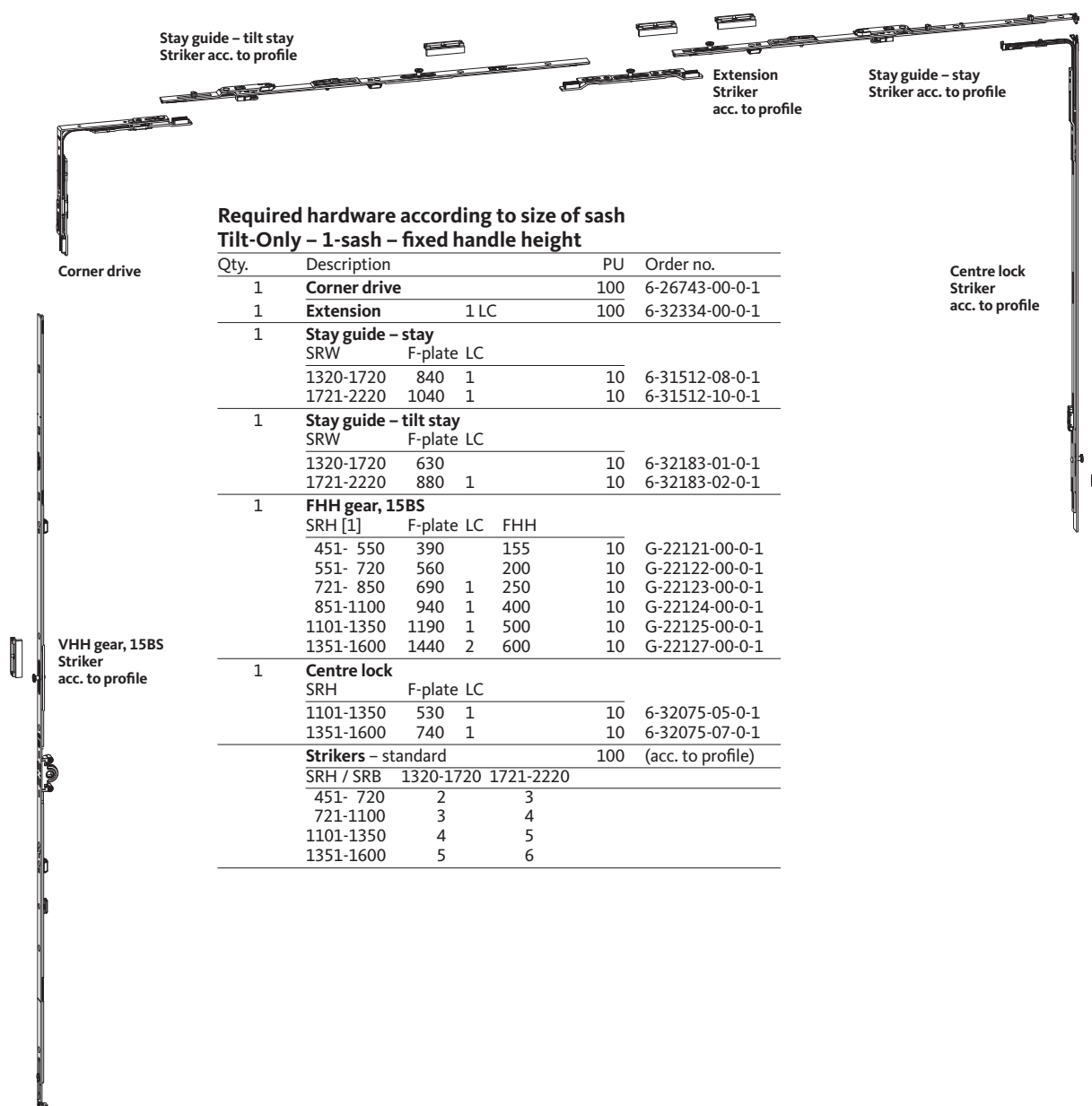
Hardware requirements depending on sash size for patterns A to E Sec Turn-Only hardware – 2-sash

| Qty. | Description | | | | | PU | Order no. | | |
|---------------------------------------|-------------|---|---|---|-------------------------------------|-----------------|----------------------------------|-----------|-----------|
| A | B | C | D | E | | | | | |
| 1 | 1 | 1 | 1 | 1 | Corner drive | 2 LC | 100 6-31753-00-0-1 | | |
| 1 | 1 | 1 | 1 | 1 | Sec gear conn. 180° | 1 LC | 100 6-33205-00-0-1 | | |
| 5 | 5 | 5 | 5 | 5 | Clearance packer | | 100 9-43219-00-0-1 | | |
| Stay guide – Extension 500 [2] | | | | | | | | | |
| | | | | | | SRW | F-plate LC | | |
| 1 | 1 | | | | 401- 500 | 350 | 10 6-31512-03-0-1 | | |
| 1 | 1 | | | 1 | 501- 750 | 590 | 10 6-31512-06-0-1 | | |
| 1 | 1 | 1 | 1 | 1 | 751- 950 | 840 1 | 10 6-31512-08-0-1 | | |
| 1 | 1 | 1 | 1 | 1 | 951-1200 | 1040 1 | 10 6-31512-10-0-1 | | |
| 1 | 1 | 1 | 1 | 1 | 1201-1450 | 1290 1 | 10 6-31512-12-0-1 | | |
| | | | 1 | 1 | 1451-1600 | 1290 1 | 10 6-31512-12-0-1 | | |
| | | 1 | 1 | | 1451-1600 | 500 1 | 10 6-32142-00-0-1 Extension 500 | | |
| Gear | | | | | | | | | |
| | | | | | | SRH [3] | F-plate LC VHH | | |
| 1 | | 1 | | | 480- 590 | 270 240- 295 | 10 G-22080-00-0-1 | | |
| 1 | | 1 | | | 591- 750 | 430 295- 375 | 10 G-22081-00-0-1 | | |
| 1 | | 1 | | | 751-1200 | 880 1 375- 600 | 10 G-22082-00-0-1 | | |
| | 1 | | 1 | | 951-1450 | 1130 1 475- 725 | 10 G-22083-00-0-1 G-22102-00-0-1 | | |
| | | 1 | 1 | | 1451-1950 | 1630 2 725- 975 | 10 G-22085-00-0-1 G-22103-00-0-1 | | |
| | | | | 1 | 1951-2450 | 2130 3 975-1225 | 10 G-22086-00-0-1 G-22105-00-0-1 | | |
| 1 | 1 | 1 | 1 | 1 | Anti-drill plate – VHH gear, 15BS | | 100 9-41749-00-0-0 | | |
| 1 | 1 | 1 | 1 | 1 | Sash lifter with mishandling device | | 100 6-29987-00-0-1 | | |
| T&T centre lock – bottom | | | | | | | | | |
| | | | | | | SRW | F-plate LC | | |
| 1 | 1 | | | 1 | 401- 750 | 330 2 | 10 6-32076-03-0-1 | | |
| | | | 1 | 1 | 751- 950 | 530 2 | 10 6-32076-05-0-1 | | |
| | | | 1 | 1 | 951-1200 | 740 2 | 10 6-32076-07-0-1 | | |
| | | | 1 | 1 | 1201-1600 | 1050 3 | 10 6-32076-10-0-1 | | |
| 1 | 1 | 1 | 1 | 1 | Travel restrictor 90° | | 100 9-33432-00-0-1 | | |
| Sec centre lock – hinge side | | | | | | | | | |
| | | | | | | SRH [3] | F-plate LC | | |
| 1 | | 1 | | | 480- 750 | 330 2 | 10 6-32008-03-0-1 | | |
| | 1 | | 1 | | 751-1100 | 530 2 | 10 6-32008-05-0-1 | | |
| | 1 | | 1 | | 1101-1350 | 740 2 | 10 6-32008-07-0-1 | | |
| | 1 | | 1 | | 1351-1700 | 1190 3 | 10 6-32008-12-0-1 | | |
| | | | | 1 | 1701-2100 | 1450 3 | 10 6-32008-15-0-1 | | |
| | | | | 1 | 2101-2450 | 1890 4 | 10 6-32008-19-0-1 | | |
| Sec strikers | | | | | | | | | |
| | | | | | | | 100 (acc. to profile) | | |
| SRH / SRW | | | | | | 401-750 | 751-1200 | 1201-1450 | 1451-1600 |
| 480-1350 | | | | | | 6 | 7 | 8 | 9 |
| 1351-2100 | | | | | | 7 | 8 | 9 | 10 |
| 2101-2450 | | | | | | 8 | 9 | 10 | 11 |

[2] Extension 500 to be cropped to 250 mm
[3] SRH 2451-2800: refer to installation drawing

UNI-JET central locking – Tilt-Only hardware

1-sash – fixed handle height, 9 and 13 mm axis – basic security



Required hardware according to size of sash Tilt-Only – 1-sash – fixed handle height

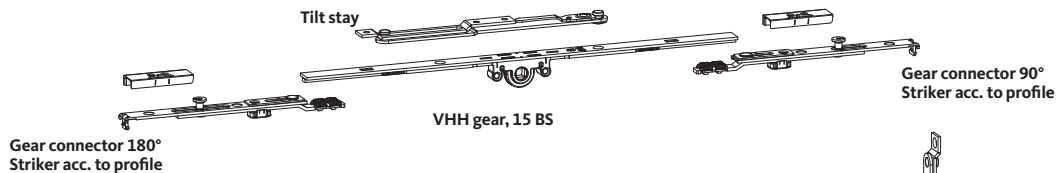
| Qty. | Description | PU | Order no. |
|------|---|-----|-------------------|
| 1 | Corner drive | 100 | 6-26743-00-0-1 |
| 1 | Extension 1 LC | 100 | 6-32334-00-0-1 |
| 1 | Stay guide – stay SRW F-plate LC | | |
| | 1320-1720 840 1 | 10 | 6-31512-08-0-1 |
| | 1721-2220 1040 1 | 10 | 6-31512-10-0-1 |
| 1 | Stay guide – tilt stay SRW F-plate LC | | |
| | 1320-1720 630 | 10 | 6-32183-01-0-1 |
| | 1721-2220 880 1 | 10 | 6-32183-02-0-1 |
| 1 | FHH gear, 15BS SRH [1] F-plate LC FHH | | |
| | 451- 550 390 155 | 10 | G-22121-00-0-1 |
| | 551- 720 560 200 | 10 | G-22122-00-0-1 |
| | 721- 850 690 1 250 | 10 | G-22123-00-0-1 |
| | 851-1100 940 1 400 | 10 | G-22124-00-0-1 |
| | 1101-1350 1190 1 500 | 10 | G-22125-00-0-1 |
| | 1351-1600 1440 2 600 | 10 | G-22127-00-0-1 |
| 1 | Centre lock SRH F-plate LC | | |
| | 1101-1350 530 1 | 10 | 6-32075-05-0-1 |
| | 1351-1600 740 1 | 10 | 6-32075-07-0-1 |
| | Strikers – standard | 100 | (acc. to profile) |
| | SRH / SRB 1320-1720 1721-2220 | | |
| | 451- 720 2 3 | | |
| | 721-1100 3 4 | | |
| | 1101-1350 4 5 | | |
| | 1351-1600 5 6 | | |

UNI-JET central locking – Tilt-Only hardware

1-sash – handle at horizontal top, 9 and 13 mm axis – basic security



D

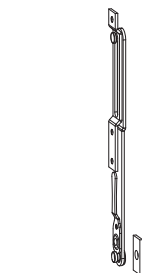


Gear connector 180°
Striker acc. to profile

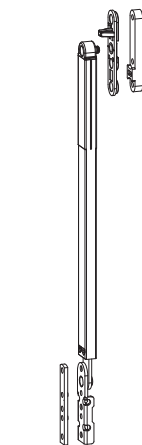
Tilt stay

VHH gear, 15 BS

Gear connector 90°
Striker acc. to profile



Tilt stay



GU EURO-SOLID
safety stay

Hardware requirements depending on sash size Tilt-Only – 1-sash – handle at horizontal top

| Qty. | Description | PU | Order no. |
|------|--|-----|-------------------|
| 1 | VHH gear, 15BS | | |
| | SRW F-plate LC | | |
| | 480- 590 270 | 10 | G-22080-00-0-1 |
| | 591- 750 430 | 10 | G-22081-00-0-1 |
| | 751-1200 880 1 | 10 | G-22082-00-0-1 |
| | 1201-1300 1130 1 | 10 | G-22083-00-0-1 |
| | 1301-1700 1380 2 | 10 | G-22084-00-0-1 |
| | 1701-1950 1630 2 | 10 | G-22085-00-0-1 |
| | 1951-2400 2130 3 | 10 | G-22086-00-0-1 |
| 1 | Gear connector 90° 1 LC | 100 | 6-32104-00-0-1 |
| 1 | Gear connector 180° 1 LC | 100 | 6-32105-00-0-1 |
| | Tilt stay | 10 | U-76500-00-0-1 |
| | SRW | | |
| 1 | 591-1200 | | |
| 2 | 1201-2400 | | |
| 2 | Tilt stay | | |
| | SRH | | |
| | 260-600 | 10 | U-76500-00-0-1 |
| 2 | Faceplate for TI-ON stay | 100 | E-11953-00-0-1 |
| 2 | GU EURO-SOLID safety stay | | |
| | SRH Length | | |
| | 600- 760 280 | 100 | 6-27995-03-0-1 |
| | 761-1200 440 | 100 | 6-27995-04-0-1 |
| 2 | Bag of EURO-SOLID accessories | 20 | (acc. to profile) |
| | Strikers – standard | 100 | (acc. to profile) |
| | SRH / FRB 480-750 751-1300 1301-1950 1951-2400 | | |
| | 600-1200 2 3 4 5 | | |



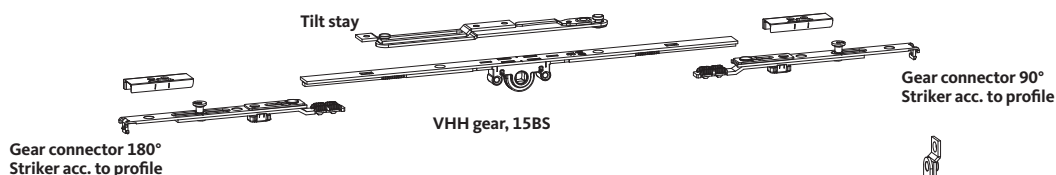
Tilt stay



GU EURO-SOLID
safety stay

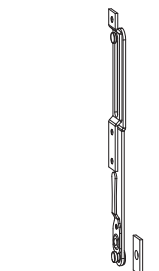
UNI-JET S-CONCEALED central locking – Tilt-Only

1-sash – handle at horizontal top, 9 and 13 mm axis – basic security

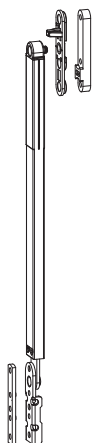


Hardware requirements depending on sash size Tilt-Only – 1-sash – handle at horizontal top

| Qty. | Description | PU | Order no. |
|------|--|-----|-------------------|
| 1 | VHH gear, 15BS | | |
| | SRW F-plate LC | | |
| | 591- 750 430 | 10 | G-22081-00-0-1 |
| | 751-1200 880 1 | 10 | G-22082-00-0-1 |
| | 1201-1300 1130 1 | 10 | G-22083-00-0-1 |
| | 1301-1700 1380 2 | 10 | G-22084-00-0-1 |
| | 1701-1950 1630 2 | 10 | G-22085-00-0-1 |
| | 1951-2400 2130 3 | 10 | G-22086-00-0-1 |
| 1 | Gear connector 90° 1 LC | 100 | 6-32104-00-0-1 |
| 1 | Gear connector 180° 1 LC | 100 | 6-32105-00-0-1 |
| | Tilt stay | 10 | U-76500-00-0-1 |
| | SRW | | |
| 1 | 591-1200 | | |
| 2 | 1201-2400 | | |
| 2 | Tilt stay | | |
| | SRH | | |
| | 435-600 | 10 | U-76500-00-0-1 |
| 2 | Faceplate for TI-ON stay | 100 | E-11953-00-0-1 |
| 2 | GU EURO-SOLID safety stay | | |
| | SRH Length | | |
| | 600- 800 280 | 100 | 6-27995-03-0-1 |
| | 801-1200 440 | 100 | 6-27995-04-0-1 |
| 2 | Bag of EURO-SOLID accessories | 20 | (acc. to profile) |
| 2 | Turn-Only faceplate | 100 | 6-34651-00-0-1 |
| | Strikers – standard | 100 | (acc. to profile) |
| | SRH / SRW 591-750 751-1300 1301-1950 1951-2400 | | |
| | 600-1200 2 3 4 5 | | |



Tilt stay



GU EURO-SOLID safety stay



Turn-Only faceplate



Tilt stay



GU EURO-SOLID safety stay



Turn-Only faceplate

UNI-JET D hinge side

9 and 13 mm axis



D

Tilt&Turn and Tilt-First sash – basic security, Ahs and RC 2 Turn-Only and passive sash – Ahs and RC 2

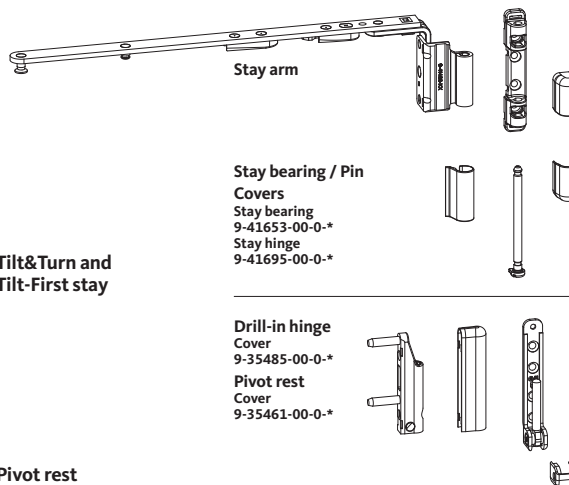
Hardware requirements for patterns A to E

| Qty. | Description | PU | Order no. | |
|------|---|-----|----------------|----------------|
| | | | Axis 9 | Axis 13 |
| 1 | Stay arm – Tilt&Turn [2][3] SRW | | | |
| | 280- 500 | 10 | 6-31672-**-1 | 6-31690-**-1 |
| | 501- 750 | 10 | 6-31673-**-1 | 6-31691-**-1 |
| | 751-1200 | 10 | 6-31674-**-1 | 6-31692-**-1 |
| | 1201-1600 | 10 | 6-31675-**-1 | 6-31693-**-1 |
| 1 | Stay arm – Tilt-First [2][3] SRW | | | |
| | 280- 500 | 10 | 6-33064-**-1 | 6-33068-**-1 |
| | 501- 750 | 10 | 6-33065-**-1 | 6-33069-**-1 |
| | 751-1200 | 10 | 6-33066-**-1 | 6-33070-**-1 |
| | 1201-1600 | 10 | 6-33067-**-1 | 6-33071-**-1 |
| 1 | Stay bearing with drilling pin | 100 | 6-31636-03-0-1 | 6-31636-03-0-1 |
| | Ø 3, L = 2,5 | 100 | 6-31636-06-0-1 | 6-31636-06-0-1 |
| 1 | Drill-in hinge | 100 | 6-28744-00-0-1 | 6-28744-00-0-1 |
| 1 | Pivot rest [1] with drilling pin | 100 | 6-28743-03-0-* | 6-28743-03-0-* |
| | Ø 3, L = 2,5 | 100 | 6-28742-22-0-* | 6-28742-22-0-* |
| 1 | Covers set [1] | 20 | K-16790-00-0-* | K-16790-00-0-* |

[1] * Colour: 5 = brown, 7 = white

[2] ** Size 18, 20 or 22 depending on sash overlap

[3] * L = DIN LH, R = DIN RH



Pivot rest

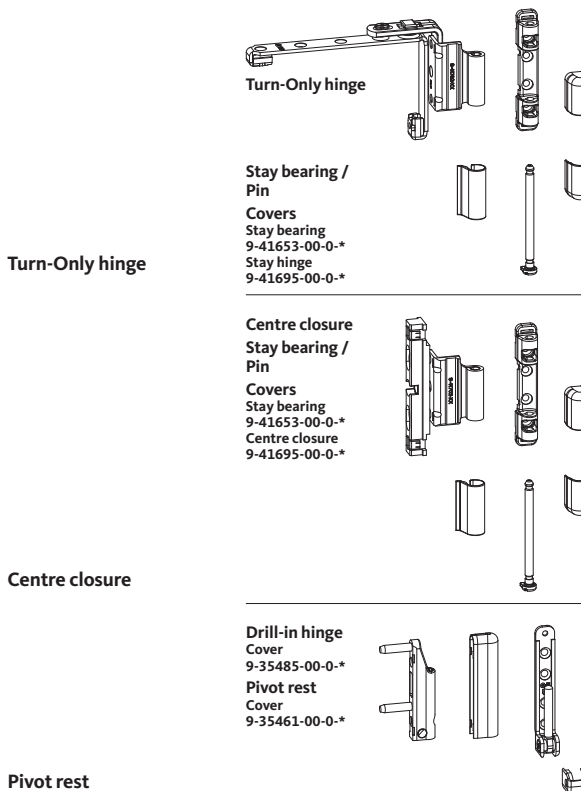
Turn-Only and passive sash – basic security

Hardware requirements for patterns A to E

| Qty. | Description | PU | Order no. | |
|------|---|-----|----------------|----------------|
| | | | Axis 9 | Axis 13 |
| 1 | Turn-Only hinge [2] | 100 | 6-31852-**-0-1 | 6-31853-**-0-1 |
| 1 | Stay bearing with drilling pin | 100 | 6-31636-03-0-1 | 6-31636-03-0-1 |
| | Ø 3, L = 2,5 | 100 | 6-31636-06-0-1 | 6-31636-06-0-1 |
| 1 | Centre closure [2] from SRH 1101 mm | 100 | 6-31854-**-0-1 | 6-31855-**-0-1 |
| 1 | Stay bearing with drilling pin | 100 | 6-31636-03-0-1 | 6-31636-03-0-1 |
| | Ø 3, L = 2,5 | 100 | 6-31636-06-0-1 | 6-31636-06-0-1 |
| 1 | Covers set [1] | 20 | K-16791-00-0-* | K-16791-00-0-* |
| 1 | Drill-in hinge | 100 | 6-28744-00-0-1 | 6-28744-00-0-1 |
| 1 | Pivot rest [1] with drilling pin | 100 | 6-28743-03-0-* | 6-28743-03-0-* |
| | Ø 3, L = 2,5 | 100 | 6-28742-22-0-* | 6-28742-22-0-* |
| 1 | Covers set [1] | 20 | K-16790-00-0-* | K-16790-00-0-* |

[1] * Colour: 5 = brown, 7 = white

[2] ** Size 18, 20 or 22 depending on sash overlap



Centre closure

Pivot rest

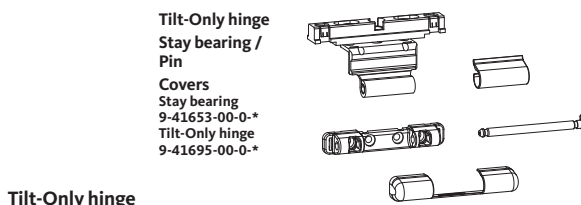
Tilt-Only hinge – basic security

Hardware requirements – VHH for horizontally-mounted handle

| Qty. | Description | PU | Order no. | |
|------|--|-----|----------------|----------------|
| | | | Axis 9 | Axis 13 |
| | Tilt-Only hinge [2] | 100 | 6-31847-**-0-1 | 6-31848-**-0-1 |
| | Stay bearing with drilling pin | 100 | 6-31636-03-0-1 | 6-31636-03-0-1 |
| | Ø 3, L = 2,5 | 100 | 6-31636-06-0-1 | 6-31636-06-0-1 |
| | Covers set [1] SRW | 20 | K-16791-00-0-* | K-16791-00-0-* |
| 2 | 591-1200 | | | |
| 3 | 1201-1950 | | | |

[1] * Colour: 5 = brown, 7 = white

[2] ** Size 18, 20 or 22 depending on sash overlap



Tilt-Only hinge

UNI-JET D hinge side

9 and 13 mm axis



Arched window hardware – basic security

Hardware requirements for patterns A to C

| Qty. | Description | PU | Order no. | |
|------|---------------------------------------|-----|----------------|----------------|
| | | | Axis 9 | Axis 13 |
| 1 | Stay hinge [2] | 100 | 6-31931-**-0-1 | 6-31932-**-0-1 |
| 1 | Stay bearing with drilling pin | 100 | 6-31636-03-0-1 | 6-31636-03-0-1 |
| | | 100 | 6-31636-06-0-1 | 6-31636-06-0-1 |
| 1 | Drill-in hinge | 100 | 6-28744-00-0-1 | 6-28744-00-0-1 |
| 1 | Pivot rest [1] | 100 | 6-28743-03-0-* | 6-28743-03-0-* |
| | with drilling pin | 100 | 6-28742-22-0-* | 6-28742-22-0-* |
| 1 | Covers set [1] | 20 | K-16790-00-0-* | K-16790-00-0-* |

[1] * Colour: 5 = brown, 7 = white [2] ** Size 18, 20 or 22 depending on sash overlap

Pitched window hardware – basic security

Hardware requirements for patterns A to E

| Qty. | Description | PU | Order no. | |
|------|---------------------------------------|-----|----------------|----------------|
| | | | Axis 9 | Axis 13 |
| 1 | Stay arm [2] SRW | | | |
| | 410- 510 | 10 | 6-31701-**-0-1 | 6-31717-**-0-1 |
| | 511- 760 | 10 | 6-31702-**-0-1 | 6-31718-**-0-1 |
| | 761-1210 | 10 | 6-31703-**-0-1 | 6-31719-**-0-1 |
| | 1211-1460 | 10 | 6-31704-**-0-1 | 6-31720-**-0-1 |
| 1 | Stay bearing with drilling pin | 100 | 6-31636-03-0-1 | 6-31636-03-0-1 |
| | | 100 | 6-31636-06-0-1 | 6-31636-06-0-1 |
| 1 | Drill-in hinge | 100 | 6-28744-00-0-1 | 6-28744-00-0-1 |
| 1 | Pivot rest [1] | 100 | 6-28743-03-0-* | 6-28743-03-0-* |
| | with drilling pin | 100 | 6-28742-22-0-* | 6-28742-22-0-* |
| 1 | Covers set [1] | 20 | K-16790-00-0-* | K-16790-00-0-* |

[1] * Colour: 5 = brown, 7 = white [2] ** Size 18, 20 or 22 depending on sash overlap

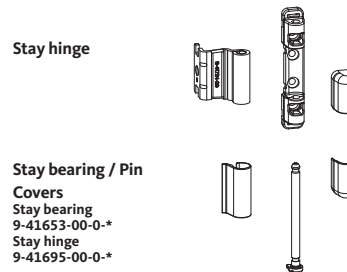
Tilt-Only hinge – basic security

Hardware requirements – FHH for vertically-mounted handle

| Qty. | Description | PU | Order no. | |
|------|--|-----|----------------|----------------|
| | | | Axis 9 | Axis 13 |
| 1 | Stay arm – Tilt&Turn stay [2][3] SRW | | | |
| | 1320-2220 | 10 | 6-31674-**-*-1 | 6-31692-**-*-1 |
| 1 | Stay arm – Tilt-Only stay [2] SRW | | | |
| | 1320-2220 | 10 | 6-32184-**-0-1 | 6-32185-**-0-1 |
| 2 | Stay bearing with drilling pin | 100 | 6-31636-03-0-1 | 6-31636-03-0-1 |
| | | 100 | 6-31636-06-0-1 | 6-31636-06-0-1 |
| 2 | Covers set [1] | 20 | K-16791-00-0-* | K-16791-00-0-* |
| | Tilt-Only hinge [2] | 100 | 6-31847-**-0-1 | 6-31848-**-0-1 |
| | Stay bearing with drilling pin | 100 | 6-31636-03-0-1 | 6-31636-03-0-1 |
| | | 100 | 6-31636-06-0-1 | 6-31636-06-0-1 |
| | Covers set [1] | 20 | K-16791-00-0-* | K-16791-00-0-* |
| 3 | 1320-1720 | | | |
| 4 | 1721-2220 | | | |

[1] * Colour: 5 = brown, 7 = white [2] ** Size 18, 20 or 22 depending on sash overlap
[3] * L = DIN LH, R = DIN RH

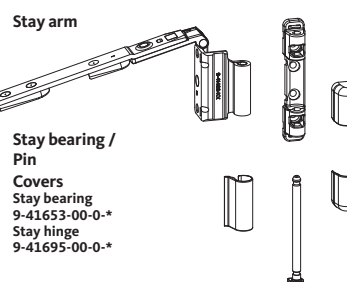
Round arch stay arm



Drill-in hinge
Cover
9-35485-00-0-*
Pivot rest
Cover
9-35461-00-0-*

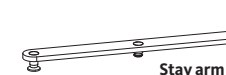
Pivot rest

Pitched windows stay



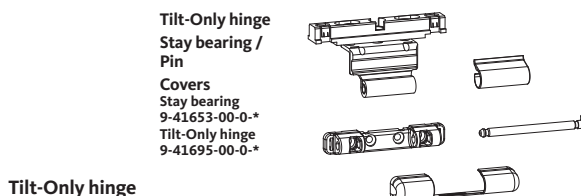
Drill-in hinge
Cover
9-35485-00-0-*
Pivot rest
Cover
9-35461-00-0-*

Pivot rest



Stay bearing / Pin
Covers
Stay bearing
9-41653-00-0-*
Stay hinge
9-41695-00-0-*

Tilt&Turn and Tilt-Only stay



Tilt-Only hinge



Optional parts for UNI-JET D hinge side

| Description | PU | Order no. DIN LH | DIN RH |
|--|-----|---------------------|-------------------|
| Anti-jemmy device sash part | 100 | 9-36061-00-0-1 | 9-36061-00-0-1 |
| Anti-jemmy device frame part | 100 | (acc. to profile) | (acc. to profile) |
| Stay bearingstift | 10 | 6-31840-00-0-1 | 6-31840-00-0-1 |
| Cover [1] for fixing stay bearing | 100 | 9-41874-00-0-* | 9-41874-00-0-* |
| Drill-in hinge with brake | 100 | 6-29660-00-L-1 | 6-29660-00-R-1 |
| Cover drill-in hinge [1] | 100 | 9-38718-00-0-* | 9-38718-00-0-* |
| Covers set [1] Drill-in hinge with brake Contents | 20 | K-17012-00-0-* | K-17012-00-0-* |
| 1 Cover stay bearing 1 Cover stay hinge 1 Cover drill-in hinge with brake 1 Cover pivot rest | | | |
| Packer drill-in hinge [1] Inclination | | | |
| 6° | 100 | E-16244-06-0-* | E-16244-06-0-* |
| 10° | 100 | E-16244-40-0-* | E-16244-40-0-* |
| 15° | 100 | E-16244-15-0-* | E-16244-15-0-* |
| 20° | 100 | E-16244-20-0-* | E-16244-20-0-* |
| Rebate corner hinge [2] axis 9 without brake | 100 | 6-31521-**-L-1 | 6-31521-**-R-1 |
| axis 13 | 100 | 6-31522-**-L-1 | 6-31522-**-R-1 |
| Rebate corner hinge [2] axis 9 with brake | 100 | 6-28740-**-L-1 | 6-28740-**-R-1 |
| axis 13 | 100 | 6-28741-**-L-1 | 6-28741-**-R-1 |
| Rebate corner hinge [2] axis 13 without brake for GU system threshold | 100 | 6-35638-**-L-1 | 6-35638-**-R-1 |
| Rebate corner hinge [2] axis 13 with brake for GU system threshold | 100 | 6-35639-**-L-1 | 6-35639-**-R-1 |
| Rebate corner-drive hinge axis 9 without brake [2][3] | 10 | 6-32426-**-L-1 | 6-32426-**-R-1 |
| axis 13 | 10 | 6-32427-**-L-1 | 6-32427-**-R-1 |
| Rebate corner-drive hinge axis 9 with brake [2][3] | 20 | 6-28779-**-L-1 | 6-28779-**-R-1 |
| axis 13 | 20 | 6-28780-**-L-1 | 6-28780-**-R-1 |
| Cover for rebate hinge [1] | 100 | 9-37725-00-L-* | 9-37725-00-R-* |
| Covers set for rebate hinge [1] Contents | 20 | K-16822-00-L-* | K-16822-00-R-* |
| 1 Cover stay bearing 1 Cover stay hinge 1 Cover rebate hinge DIN LH 1 Cover rebate hinge DIN RH 1 Cover pivot rest | | | |
| Cover – for Torx T 15 for drill-in hinge [1] | 100 | 9-42796-11-0-* | 9-42796-11-0-* |
| for rebate corner hinge [1] | 100 | 9-42796-00-0-* | 9-42796-00-0-* |
| Cover – for Allen key for drill-in hinge [1] | 100 | 9-40154-11-0-* | 9-40154-11-0-* |
| for rebate corner hinge [1] | 100 | 9-40154-00-0-* | 9-40154-00-0-* |

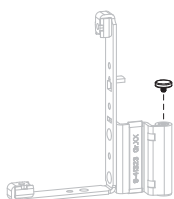
[1] * Colour: 5 = brown, 7 = white
[2] ** Size 18, 20 or 22 depending on sash overlap
[3] instead of corner drive 6-26743-00-0-1



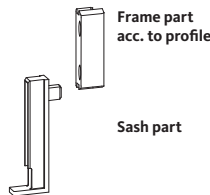
**Cover –
Rebate hinge [1]**



**Cover
for drill-in hinge [1]**



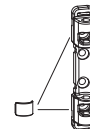
**Cover
for rebate corner hinge [1]**



**Frame part
acc. to profile**
Sash part



Stay bearing pin



**Cover [1]
for fixing stay bearing**



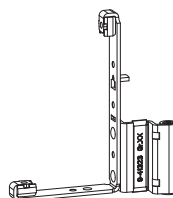
Drill-in hinge with brake



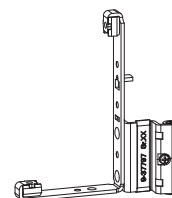
Cover – Drill-in hinge [1]



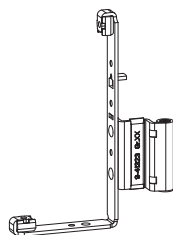
**Packer –
Drill-in hinge [1]**



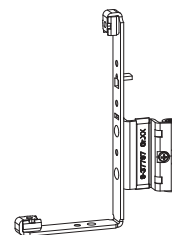
Rebate corner hinge without brake [2]



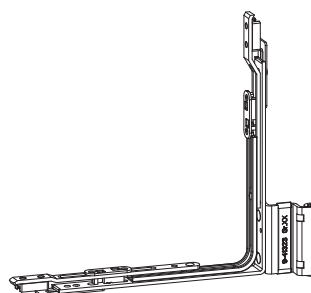
Rebate corner hinge with brake [2]



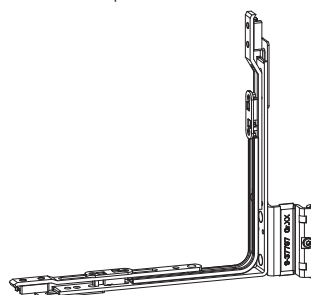
**Rebate corner hinge without brake [2]
for GU system threshold**



**Rebate corner hinge with brake [2]
for GU system threshold**



**Rebate corner-drive hinge without brake
[2] [3]
for arched and pitched windows**



**Rebate corner-drive hinge with brake
[2] [3]
for arched and pitched windows**

UNI-JET S-CONCEALED hinge side

12 mm clearance, 9 und 13 mm axis



Tilt&Turn and Tilt-First sash – basic security

Hardware requirements for patterns A to E

| Qty. | Description | PU | Order no. | |
|------|--|-----|----------------|----------------|
| | | | Axis 9 | Axis 13 |
| 1 | Stay arm – Tilt&Turn [1] SRW | | | |
| | 400- 750 | 10 | 6-34643-30-*1 | 6-34093-30-*1 |
| | 751-1200 | 10 | 6-34643-45-*1 | 6-34093-45-*1 |
| | 1201-1400 | 10 | 6-34643-60-*1 | 6-34093-60-*1 |
| 1 | Stay arm – Tilt-First [1] SRW | | | |
| | 400- 750 | 10 | 6-35048-30-*1 | 6-35049-30-*1 |
| | 751-1200 | 10 | 6-35048-45-*1 | 6-35049-45-*1 |
| | 1201-1400 | 10 | 6-35048-60-*1 | 6-35049-60-*1 |
| 1 | Packer [1] [2] | 100 | 9-44437-***1 | 9-44437-***1 |
| 1 | Pivot rest [1] | 100 | 6-34095-00-*1 | 6-34095-00-*1 |
| 1 | Packer [1] [2] | 100 | 9-44437-***1 | 9-44437-***1 |
| 1 | Corner hinge [1] | 100 | 6-34096-09-*1 | 6-34096-13-*1 |
| 1 | Turn blocker SRW >800 mm | 100 | K-17745-00-0-1 | K-17745-00-0-1 |

[1] * L = DIN LH, R = DIN RH

[2] ** Size according to profile

Turn-Only and passive sash – basic security

Hardware requirements for patterns A to E

| Qty. | Description | PU | Order no. | |
|------|------------------------------------|-----|-------------------|-------------------|
| | | | Axis 9 | Axis 13 |
| 1 | Stay arm – Turn-Only [1] | 10 | 6-34645-09-*1 | 6-34645-13-*1 |
| 1 | Packer [1] [2] | 100 | 9-44437-***1 | 9-44437-***1 |
| 1 | Pivot rest [1] | 100 | 6-34095-00-*1 | 6-34095-00-*1 |
| 1 | Packer [1] [2] | 100 | 9-44437-***1 | 9-44437-***1 |
| 1 | Corner hinge [1] | 100 | 6-34096-09-*1 | 6-34096-13-*1 |
| 1 | Turn blocker SRW >800 mm | 100 | K-17745-00-0-1 | K-17745-00-0-1 |
| 1 | Centre closure Sash part | 100 | 6-34229-00-0-1 | 6-34229-00-0-1 |
| 1 | Centre closure Frame part | 100 | (acc. to profile) | (acc. to profile) |

[1] * L = DIN LH, R = DIN RH

[2] ** Size according to profile

Tilt-Only hinge – basic security

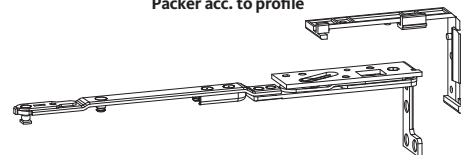
Hardware requirements – VHH for horizontally-mounted handle

| Qty. | Description | PU | Order no. | |
|------|----------------------------------|-----|-------------------|-------------------|
| | | | Axis 9 | Axis 13 |
| 2 | Stay arm – Turn-Only [1] | 10 | 6-34645-09-*1 | 6-34645-13-*1 |
| 2 | Packer [1] [2] | 100 | 9-44437-***1 | 9-44437-***1 |
| 1 | Centre closure Sash part | 100 | 6-34229-00-0-1 | 6-34229-00-0-1 |
| 1 | Centre closure Frame part | 100 | (acc. to profile) | (acc. to profile) |

[1] * L = DIN LH, R = DIN RH

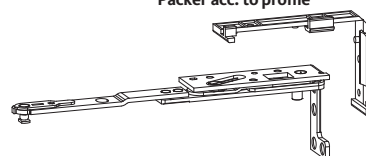
[2] ** Size according to profile

Stay arm
Packer acc. to profile



Tilt&Turn and
Tilt-First stay

Stay arm – Turn-Only
Packer acc. to profile



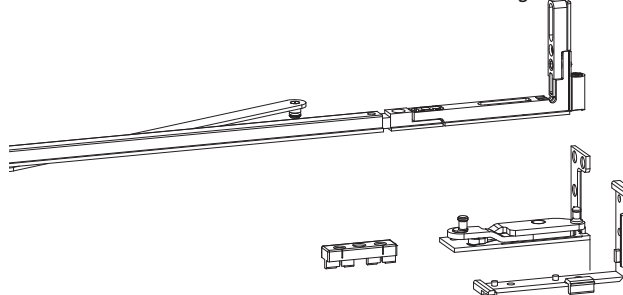
Turn-Only hinge

Centre closure
Sash part
Centre closure
Frame part



Centre closure

Corner hinge

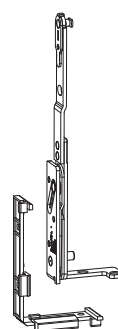


Pivot rest

Turn blocker

Spring-loaded
hinge plate

Pivot rest
Packer acc. to profile

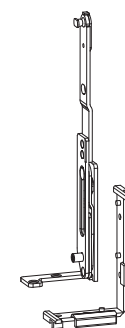


Packer acc. to profile
Stay arm – Tilt-Only

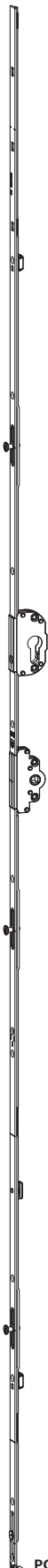
Tilt-Only hinge



Centre closure sash part
Centre closure frame part



Stay arm –
Tilt-Only
Packer acc. to
profile



PC gear 25BS – 50BS, VHH

PC gear 25BS – 50BS, FHH

PC gear 25BS – 50BS, FHH

Fixed handle height, 25 – 50 mm backset

| Description | | | | PU | Order no. |
|---|---------|-----|----|----|----------------|
| PC gear 25BS, FHH, lockable | | | | | |
| 25 mm backset, fixed handle height | | | | | |
| SRH | F-plate | FHH | LC | | |
| 1851-2100 | 1940 | 980 | 3 | 10 | G-22315-25-0-1 |
| 2101-2350 | 2190 | 980 | 4 | 10 | G-22316-25-0-1 |
| PC gear 30BS, FHH, lockable | | | | | |
| 30 mm backset, fixed handle height | | | | | |
| SRH | F-plate | FHH | LC | | |
| 1851-2100 | 1940 | 980 | 3 | 10 | G-22315-30-0-1 |
| 2101-2350 | 2190 | 980 | 4 | 10 | G-22316-30-0-1 |
| PC gear 35BS, FHH, lockable | | | | | |
| 35 mm backset, fixed handle height | | | | | |
| SRH | F-plate | FHH | LC | | |
| 1851-2100 | 1940 | 980 | 3 | 10 | G-22315-35-0-1 |
| 2101-2350 | 2190 | 980 | 4 | 10 | G-22316-35-0-1 |
| PC gear 40BS, FHH, lockable | | | | | |
| 40 mm backset, fixed handle height | | | | | |
| SRH | F-plate | FHH | LC | | |
| 1851-2100 | 1940 | 980 | 3 | 10 | G-22315-40-0-1 |
| 2101-2350 | 2190 | 980 | 4 | 10 | G-22316-40-0-1 |
| PC gear 45BS, FHH, lockable | | | | | |
| 45 mm backset, fixed handle height | | | | | |
| SRH | F-plate | FHH | LC | | |
| 1851-2100 | 1940 | 980 | 3 | 10 | G-22315-45-0-1 |
| 2101-2350 | 2190 | 980 | 4 | 10 | G-22316-45-0-1 |
| PC gear 50BS, FHH, lockable | | | | | |
| 50 mm backset, fixed handle height | | | | | |
| SRH | F-plate | FHH | LC | | |
| 1851-2100 | 1940 | 980 | 3 | 10 | G-22315-50-0-1 |
| 2101-2350 | 2190 | 980 | 4 | 10 | G-22316-50-0-1 |

PC gear 25BS – 50BS, VHH

Variable handle height, 25 – 50 mm backset

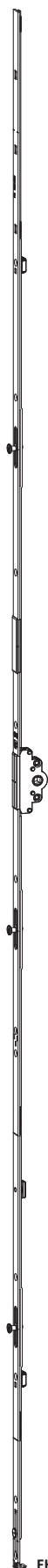
| Description | | | | PU | Order no. |
|--|---------|----------|----|----|----------------|
| PC gear 25BS, VHH, lockable | | | | | |
| 25 mm backset, variable handle height | | | | | |
| SRH | F-plate | VHH | LC | | |
| 951-1450 | 1130 | 475- 725 | 1 | 10 | G-22330-25-0-1 |
| 1451-1950 | 1630 | 725- 975 | 2 | 10 | G-22331-25-0-1 |
| 1951-2450 | 2130 | 975-1225 | 3 | 10 | G-22332-25-0-1 |
| PC gear 30BS, VHH, lockable | | | | | |
| 30 mm backset, variable handle height | | | | | |
| SRH | F-plate | VHH | LC | | |
| 951-1450 | 1130 | 475- 725 | 1 | 10 | G-22330-30-0-1 |
| 1451-1950 | 1630 | 725- 975 | 2 | 10 | G-22331-30-0-1 |
| 1951-2450 | 2130 | 975-1225 | 3 | 10 | G-22332-30-0-1 |
| PC gear 35BS, VHH, lockable | | | | | |
| 35 mm backset, variable handle height | | | | | |
| SRH | F-plate | VHH | LC | | |
| 951-1450 | 1130 | 475- 725 | 1 | 10 | G-22330-35-0-1 |
| 1451-1950 | 1630 | 725- 975 | 2 | 10 | G-22331-35-0-1 |
| 1951-2450 | 2130 | 975-1225 | 3 | 10 | G-22332-35-0-1 |
| PC gear 40BS, VHH, lockable | | | | | |
| 40 mm backset, variable handle height | | | | | |
| SRH | F-plate | VHH | LC | | |
| 951-1450 | 1130 | 475- 725 | 1 | 10 | G-22330-40-0-1 |
| 1451-1950 | 1630 | 725- 975 | 2 | 10 | G-22331-40-0-1 |
| 1951-2450 | 2130 | 975-1225 | 3 | 10 | G-22332-40-0-1 |
| PC gear 45BS, VHH, lockable | | | | | |
| 45 mm backset, variable handle height | | | | | |
| SRH | F-plate | VHH | LC | | |
| 951-1450 | 1130 | 475- 725 | 1 | 10 | G-22330-45-0-1 |
| 1451-1950 | 1630 | 725- 975 | 2 | 10 | G-22331-45-0-1 |
| 1951-2450 | 2130 | 975-1225 | 3 | 10 | G-22332-45-0-1 |
| PC gear 50BS, VHH, lockable | | | | | |
| 50 mm backset, variable handle height | | | | | |
| SRH | F-plate | VHH | LC | | |
| 951-1450 | 1130 | 475- 725 | 1 | 10 | G-22330-50-0-1 |
| 1451-1950 | 1630 | 725- 975 | 2 | 10 | G-22331-50-0-1 |
| 1951-2450 | 2130 | 975-1225 | 3 | 10 | G-22332-50-0-1 |



FHH gear, 25BS – 50BS

Fixed handle height, 25 – 50 mm backset

| Description | PU | Order no. |
|---|----------------|-----------|
| FHH gear 25BS, non-lockable | | |
| 25 mm backset, fixed handle height | | |
| SRH | F-plate | FHH LC |
| 851-1100 | 940 | 400 1 |
| 1101-1350 | 1190 | 500 1 |
| 1351-1600 | 1440 | 600 2 |
| 1601-1850 | 1690 | 600 3 |
| 1851-2100 | 1940 | 980 3 |
| 2101-2350 | 2190 | 980 4 |
| 10 | G-22790-25-0-1 | |
| 10 | G-22791-25-0-1 | |
| 10 | G-22792-25-0-1 | |
| 10 | G-22793-25-0-1 | |
| 10 | G-22321-25-0-1 | |
| 10 | G-22322-25-0-1 | |
| FHH gear 30BS, non-lockable | | |
| 30 mm backset, fixed handle height | | |
| SRH | F-plate | FHH LC |
| 851-1100 | 940 | 400 1 |
| 1101-1350 | 1190 | 500 1 |
| 1351-1600 | 1440 | 600 2 |
| 1601-1850 | 1690 | 600 3 |
| 1851-2100 | 1940 | 980 3 |
| 2101-2350 | 2190 | 980 4 |
| 10 | G-22790-30-0-1 | |
| 10 | G-22791-30-0-1 | |
| 10 | G-22792-30-0-1 | |
| 10 | G-22793-30-0-1 | |
| 10 | G-22321-30-0-1 | |
| 10 | G-22322-30-0-1 | |
| FHH gear 35BS, non-lockable | | |
| 35 mm backset, fixed handle height | | |
| SRH | F-plate | FHH LC |
| 851-1100 | 940 | 400 1 |
| 1101-1350 | 1190 | 500 1 |
| 1351-1600 | 1440 | 600 2 |
| 1601-1850 | 1690 | 600 3 |
| 1851-2100 | 1940 | 980 3 |
| 2101-2350 | 2190 | 980 4 |
| 10 | G-22790-35-0-1 | |
| 10 | G-22791-35-0-1 | |
| 10 | G-22792-35-0-1 | |
| 10 | G-22793-35-0-1 | |
| 10 | G-22321-35-0-1 | |
| 10 | G-22322-35-0-1 | |
| FHH gear 40BS, non-lockable | | |
| 40 mm backset, fixed handle height | | |
| SRH | F-plate | FHH LC |
| 851-1100 | 940 | 400 1 |
| 1101-1350 | 1190 | 500 1 |
| 1351-1600 | 1440 | 600 2 |
| 1601-1850 | 1690 | 600 3 |
| 1851-2100 | 1940 | 980 3 |
| 2101-2350 | 2190 | 980 4 |
| 10 | G-22790-40-0-1 | |
| 10 | G-22791-40-0-1 | |
| 10 | G-22792-40-0-1 | |
| 10 | G-22793-40-0-1 | |
| 10 | G-22321-40-0-1 | |
| 10 | G-22322-40-0-1 | |
| FHH gear 45BS, non-lockable | | |
| 45 mm backset, fixed handle height | | |
| SRH | F-plate | FHH LC |
| 851-1100 | 940 | 400 1 |
| 1101-1350 | 1190 | 500 1 |
| 1351-1600 | 1440 | 600 2 |
| 1601-1850 | 1690 | 600 3 |
| 1851-2100 | 1940 | 980 3 |
| 2101-2350 | 2190 | 980 4 |
| 10 | G-22790-45-0-1 | |
| 10 | G-22791-45-0-1 | |
| 10 | G-22792-45-0-1 | |
| 10 | G-22793-45-0-1 | |
| 10 | G-22321-45-0-1 | |
| 10 | G-22322-45-0-1 | |
| FHH gear 50BS, non-lockable | | |
| 50 mm backset, fixed handle height | | |
| SRH | F-plate | FHH LC |
| 851-1100 | 940 | 400 1 |
| 1101-1350 | 1190 | 500 1 |
| 1351-1600 | 1440 | 600 2 |
| 1601-1850 | 1690 | 600 3 |
| 1851-2100 | 1940 | 980 3 |
| 2101-2350 | 2190 | 980 4 |
| 10 | G-22790-50-0-1 | |
| 10 | G-22791-50-0-1 | |
| 10 | G-22792-50-0-1 | |
| 10 | G-22793-50-0-1 | |
| 10 | G-22321-50-0-1 | |
| 10 | G-22322-50-0-1 | |



FHH gear, 25BS – 50BS



VHH gear, 25BS – 50BS

VHH gear, 25BS – 50BS

Variable handle height, 25 – 50 mm backset

| Description | | | | PU | Order no. |
|--|---------|----------|----|----|----------------|
| VHH gear 25BS, non-lockable | | | | | |
| 25 mm backset, variable handle height | | | | | |
| SRH | F-plate | VHH | LC | | |
| 576- 950 | 630 | 288- 475 | | 10 | G-22343-25-0-1 |
| 951-1450 | 1130 | 475- 725 | 1 | 10 | G-22344-25-0-1 |
| 1451-1950 | 1630 | 725- 975 | 2 | 10 | G-22345-25-0-1 |
| 1951-2450 | 2130 | 975-1225 | 3 | 10 | G-22346-25-0-1 |
| VHH gear 30BS, non-lockable | | | | | |
| 30 mm backset, variable handle height | | | | | |
| SRH | F-plate | VHH | LC | | |
| 576- 950 | 630 | 288- 475 | | 10 | G-22343-30-0-1 |
| 951-1450 | 1130 | 475- 725 | 1 | 10 | G-22344-30-0-1 |
| 1451-1950 | 1630 | 725- 975 | 2 | 10 | G-22345-30-0-1 |
| 1951-2450 | 2130 | 975-1225 | 3 | 10 | G-22346-30-0-1 |
| VHH gear 35BS, non-lockable | | | | | |
| 35 mm backset, variable handle height | | | | | |
| SRH | F-plate | VHH | LC | | |
| 576- 950 | 630 | 288- 475 | | 10 | G-22343-35-0-1 |
| 951-1450 | 1130 | 475- 725 | 1 | 10 | G-22344-35-0-1 |
| 1451-1950 | 1630 | 725- 975 | 2 | 10 | G-22345-35-0-1 |
| 1951-2450 | 2130 | 975-1225 | 3 | 10 | G-22346-35-0-1 |
| VHH gear 40BS, non-lockable | | | | | |
| 40 mm backset, variable handle height | | | | | |
| SRH | F-plate | VHH | LC | | |
| 576- 950 | 630 | 288- 475 | | 10 | G-22343-40-0-1 |
| 951-1450 | 1130 | 475- 725 | 1 | 10 | G-22344-40-0-1 |
| 1451-1950 | 1630 | 725- 975 | 2 | 10 | G-22345-40-0-1 |
| 1951-2450 | 2130 | 975-1225 | 3 | 10 | G-22346-40-0-1 |
| VHH gear 45BS, non-lockable | | | | | |
| 45 mm backset, variable handle height | | | | | |
| SRH | F-plate | VHH | LC | | |
| 576- 950 | 630 | 288- 475 | | 10 | G-22343-45-0-1 |
| 951-1450 | 1130 | 475- 725 | 1 | 10 | G-22344-45-0-1 |
| 1451-1950 | 1630 | 725- 975 | 2 | 10 | G-22345-45-0-1 |
| 1951-2450 | 2130 | 975-1225 | 3 | 10 | G-22346-45-0-1 |
| VHH gear 50BS, non-lockable | | | | | |
| 50 mm backset, variable handle height | | | | | |
| SRH | F-plate | VHH | LC | | |
| 576- 950 | 630 | 288- 475 | | 10 | G-22343-50-0-1 |
| 951-1450 | 1130 | 475- 725 | 1 | 10 | G-22344-50-0-1 |
| 1451-1950 | 1630 | 725- 975 | 2 | 10 | G-22345-50-0-1 |
| 1951-2450 | 2130 | 975-1225 | 3 | 10 | G-22346-50-0-1 |



Dummy mullion FHH gear, 30BS

Fixed handle height, 30 mm backset

| Description | PU | Order no. | | |
|--|---------|-----------|----|----------------|
| Dummy mullion FHH gear 30BS, non-lockable | | | | |
| 30 mm backset, fixed handle height | | | | |
| SRH | F-plate | FHH | | |
| 551- 720 | 560 | 200 | 10 | 6-33210-00-0-1 |
| 721- 850 | 690 | 250 | 10 | 6-33211-00-0-1 |
| 851-1100 | 940 | 400 | 10 | 6-33212-00-0-1 |
| 1101-1350 | 1190 | 500 | 10 | 6-33213-00-0-1 |
| 1351-1600 | 1440 | 600 | 10 | 6-33214-00-0-1 |
| 1601-1850 | 1690 | 600 | 10 | 6-33215-00-0-1 |
| 1851-2100 | 1940 | 980 | 10 | 6-33216-00-0-1 |
| 2101-2350 | 2190 | 980 | 10 | 6-33217-00-0-1 |

Screw-on strikers:

Striker 9-43809-01-0-1

Sec striker E-19813-00-0-1

Dummy mullion FHH gear, 30BS

UNI-JET hardware system – strikers, bullet catches and packers

for 1-sash windows and balcony-doors – "basic security"



| PVC profile systems | Sash profile | Frame profile | Dummy mullion | Axis mm | Sash overlap mm/° | Sec striker (Tilt-Only striker) PU = 100 | Striker frame PU = 100 | INV striker (integrated night-vent) PU = 100 | Sec TF striker (Tilt-Only striker) PU = 100 | Bullet catch PU = 10, 100 | Packer PU = 100 | Run-up stop Sash lifter with M.D. PU = 100 | Cam plate Centre closure PVC PU = 100 |
|---------------------------|--------------|---------------|---------------|---------|-------------------|--|------------------------|--|---|---------------------------|-----------------|--|---------------------------------------|
| Accord Contour 7.0 MD | A.FL 02 | A.RA 01 | A.ST 01 | 13.0 | 20/0° | 6-27831-05-0-1 | 9-38620-00-0-1 | 9-43533-00-0-1 | 6-32668-00-0-1 | K-17118-00-0-1 | | 9-40472-00-0-1 | 9-40866-00-0-1 |
| Acome Crescendo | | | | 13.0 | 20/0° | G-22299-29-0-1 | | | 6-32668-00-0-1 | | | | |
| Actual A 600 | | | | 13.0 | -/0° | 6-27831-26-0-1 | 9-39614-00-0-1 | | 6-32668-00-0-1 | | | | |
| Alphacan Alpha 70-80 | 63 720 | 62 700 | | 13.0 | 20/0° | 6-27831-06-0-1 | 9-42972-00-0-1 | 9-43533-00-0-1 | 6-32668-00-0-1 | K-17118-00-0-1 | | 9-40465-00-0-1 | 9-40866-00-0-1 |
| Alphacan Class | MB 00 G | MT 00 B | MS 75 B | 13.0 | 20/0° | 6-27831-46-0-1 | 9-41977-00-0-1 | | 6-32668-00-0-1 | | | | 9-40565-12-0-1 |
| Alphacan Esthea | 53-05 | 53-45 | | 12.9 | 20/0° | G-22299-14-0-1 | E-18104-00-0-1 | | 6-32668-00-0-1 | | | | |
| Alphacan Fersina Diplomat | ZOMI | ELMI | DUEB | 9.1 | 21/0° | 6-27674-30-0-1 | 9-36886-00-0-1 | | 6-32668-00-0-1 | | | 9-40460-00-0-1 | 9-40871-01-0-1 |
| Alphacan Fersina Master | ZOM | ELA | TAO 00 | 9.4 | 21.7/0° | 6-27674-31-0-1 | 9-36886-00-0-1 | | 6-32668-00-0-1 | | | 9-40460-00-0-1 | 9-40871-01-0-1 |
| Alphacan Profilía 600 | PF 096 | PF 090 | | 9.0 | 20/0° | 6-27674-07-0-1 | 9-30146-06-0-1 | | 6-32668-00-0-1 | | | | |
| Alphacan Profilía MD 600 | PE 611 | PE 602 | | 13.0 | 20/0° | 6-27831-10-0-1 | 9-38115-00-0-1 | | 6-32668-00-0-1 | | | 9-40461-00-0-1 | 9-40565-05-0-1 |
| Aluplast Ideal 1000 | 100x22 | 100x01 | 120205 | 13.0 | 20/5° | 6-27831-05-0-1 | 9-34907-00-0-1 | 9-43469-00-0-1 | 6-32668-00-0-1 | K-17118-00-0-1 | | 9-40066-00-0-1 | 9-40866-00-0-1 |
| Aluplast Ideal 2000 | 120022 | 120002 | 120204 | 13.0 | 20/5° | 6-27831-05-0-1 | 9-34907-00-0-1 | 9-43469-00-0-1 | 6-32668-00-0-1 | K-17747-00-0-1 | | 9-40066-00-0-1 | 9-40866-00-0-1 |
| Aluplast Ideal 4000 | 140025 | 140002 | 140066 | 13.0 | 20/0° | 6-27831-08-0-1 | 9-38218-00-0-1 | 9-43469-00-0-1 | 6-32668-00-0-1 | K-17139-00-0-1 | | 9-40066-00-0-1 | 9-40866-00-0-1 |
| Aluplast Ideal 5000 | 150025 | 150002 | 140250 | 13.0 | 20/0° | 6-27831-08-0-1 | 9-38218-00-0-1 | 9-43469-00-0-1 | 6-32668-00-0-1 | K-17139-00-0-1 | | 9-40066-00-0-1 | 9-40866-00-0-1 |
| Aluplast Ideal 6000 | 150025 | 160003 | | 13.0 | 20/0° | 6-27831-08-0-1 | 9-38218-00-0-1 | 9-43469-00-0-1 | 6-32668-00-0-1 | K-17139-00-0-1 | | 9-40066-00-0-1 | 9-40866-00-0-1 |
| Aluplast Ideal 7000 | 170007 | 140020 | | 13.0 | 20/0° | 6-27831-08-0-1 | 9-38218-00-0-1 | 9-43469-00-0-1 | 6-32668-00-0-1 | K-17139-00-0-1 | | 9-40066-00-0-1 | 9-40866-00-0-1 |
| Aluplast Ideal 8000 | 180x83 | 180x03 | | 13.0 | 20/0° | 6-27831-08-0-1 | 9-38218-00-0-1 | 9-43469-00-0-1 | 6-32668-00-0-1 | K-17139-00-0-1 | | 9-40066-00-0-1 | 9-40866-00-0-1 |
| Aluplast Signum 21 | 70 | 71 | 4143 | 9.0 | 20/0° | 6-27674-17-0-1 | 9-30146-04-0-1 | | 6-32668-00-0-1 | | | | |
| Aluplast Signum 25 | 2539 | 2534 | 2550 | 13.0 | 20/0° | 6-27831-02-0-1 | 9-35770-00-0-1 | | 6-32668-00-0-1 | K-17747-00-0-1 | | 9-40463-00-0-1 | 9-40565-07-0-1 |
| Aluplast Signum 26 | 2610 | 2601 | 2630 | 13.0 | 20/0° | 6-27831-48-0-1 | 9-34907-00-0-1 | | 6-32668-00-0-1 | | | | 9-40565-10-0-1 |
| Asapen 70 mm | 7053 | 7052 | 7059 | 13.0 | 20/0° | 6-27831-06-0-1 | 9-42972-00-0-1 | 9-43533-00-0-1 | 6-32668-00-0-1 | K-17118-00-0-1 | | 9-40465-00-0-1 | 9-40866-00-0-1 |
| Atrya (Tryba) E 58 | Z 74 | L 65 | T 32 | 9.0 | 20/5° | 6-27674-22-0-1 | E-16069-00-0-1 | | 6-32668-00-0-1 | | | | |
| Atrya (Tryba) T 58 | Z 76 J | L 66/3J | | 13.0 | 20/5° | 6-27831-06-0-1 | E-18949-00-0-1 | 9-43537-00-0-1 | 6-32668-00-0-1 | K-17747-00-0-1 | | 9-40465-00-0-1 | |
| Atrya (Tryba) T 58/3 | Z 76/3J | L 66/3J | | 13.1 | 20/5° | 6-27831-06-0-1 | E-18949-00-0-1 | 9-43537-00-0-1 | 6-32668-00-0-1 | K-17747-00-0-1 | | 9-40465-00-0-1 | |
| Brügmann AD | HP 152 | HP 102 | HP 350 | 13.0 | 20/0° | 6-27831-05-0-1 | 9-34907-00-0-1 | 9-43533-00-0-1 | 6-32668-00-0-1 | K-17747-00-0-1 | | 9-40465-00-0-1 | 9-40565-02-0-1 |
| Brügmann MD | HP 252 | HP 202 | HP 451 | 13.0 | 20/0° | 6-27831-05-0-1 | 9-34907-00-0-1 | 9-43533-00-0-1 | 6-32668-00-0-1 | K-17747-00-0-1 | | 9-40465-00-0-1 | 9-40565-02-0-1 |
| Deceuninck 1800 | P 1807 | P 1801 | P 400 | 8.7 | 21/0° | 6-27674-14-0-1 | 9-36544-00-0-1 | | 6-32668-00-0-1 | K-17044-00-0-1 | 9-30084-00-0-1 | | |
| Deceuninck Mondial | P 2021 | P 2000 | P 2040 | 13.0 | 21/0° | 6-27831-31-0-1 | 9-35737-00-0-1 | 9-43533-00-0-1 | 6-32668-00-0-1 | K-17044-00-0-1 | E-18310-00-0-1 | 9-40475-00-0-1 | 9-40565-03-0-1 |
| Deceuninck Mondial | P 2105 | P 2100 | P 2040 | 13.0 | 21/0° | 6-27831-31-0-1 | 9-35737-00-0-1 | 9-43533-00-0-1 | 6-32668-00-0-1 | | | 9-40475-00-0-1 | 9-40565-03-0-1 |
| Deceuninck Zendow | 3052 | 3001 | 3077 | 13.0 | 20/5° | 6-27831-47-0-1 | 9-35508-00-0-1 | | 6-32668-00-0-1 | K-17118-00-0-1 | | E-21902-35-0-1 | 9-40565-06-0-1 |
| Deceuninck Zendow Upgrade | 4040 | 4000 | 4031 | 13.0 | 20/5° | 6-27831-47-0-1 | 9-35508-00-0-1 | | 6-32668-00-0-1 | K-17118-00-0-1 | | E-21902-35-0-1 | 9-40565-06-0-1 |
| Dimex Komfort | | | | 13.0 | 20/0° | 6-27831-08-0-1 | 9-34907-00-0-1 | | 6-32668-00-0-1 | K-17139-00-0-1 | | 9-40473-00-0-1 | |
| Egeplast | | | | 9.0 | 20/5° | 6-27674-53-0-1 | E-13534-15-0-1 | | 6-32668-00-0-1 | | | | |
| Fapes | 82 | 81 | 85 | 9.0 | 22/0° | 6-27674-55-0-1 | 9-39511-00-0-1 | | 6-32668-00-0-1 | 6-29892-10-0-1 | | 9-40459-00-0-1 | 9-40871-02-0-1 |
| Funke KS Helios | | | | 13.0 | 20/3° | 6-31067-03-0-1 | 9-42972-00-0-1 | 9-43533-00-0-1 | 6-32668-00-0-1 | K-17118-00-0-1 | | 9-40465-00-0-1 | 9-40866-00-0-1 |
| Funke KS Phoenix | | | | 13.0 | 20/3° | 6-27831-06-0-1 | 9-42972-00-0-1 | 9-43533-00-0-1 | 6-32668-00-0-1 | K-17118-00-0-1 | | 9-40465-00-0-1 | 9-40866-00-0-1 |
| Gealan S 3000 | 3090 | 3008 | 3080 | 13.0 | 20/0° | 6-27831-04-0-1 | 9-35858-00-0-1 | 9-43490-00-0-1 | 6-32668-00-0-1 | K-17890-00-0-1 | | 9-40468-00-0-1 | 9-40565-04-0-1 |
| Gealan S 6000 | 6093 | 6008 | 6051 | 13.0 | 20/0° | 6-27831-22-0-1 | 9-37885-00-0-1 | | 6-32668-00-0-1 | | | | |
| Gealan S 7000 IQ | 7093 | 7008 | 7302 | 13.0 | 20/0° | 6-31067-02-0-1 | 9-35858-00-0-1 | 9-43490-00-0-1 | 6-32668-00-0-1 | K-17890-00-0-1 | | 9-40468-00-0-1 | 9-40565-04-0-1 |
| Gealan S 8000 IQ | 8066 | 8008 | 8080 | 13.0 | 20/0° | 6-31067-02-0-1 | 9-35858-00-0-1 | 9-43490-00-0-1 | 6-32668-00-0-1 | K-17890-00-0-1 | | 9-40468-00-0-1 | 9-40565-04-0-1 |
| Gromathic System AD 3100 | GM 3101 | GM 3108 | GM 3114 | 9.0 | 20/0° | 6-27674-18-0-1 | 9-34202-00-0-1 | | 6-32668-00-0-1 | | | | |



UNI-JET hardware system – strikers, bullet catches and packers

for 1-sash windows and balcony-doors – "basic security"



| PVC profile systems | Sash profile | Frame profile | Dummy mullion | Axis mm | Sash overlap mm/° | Sec striker (Tilt-Only striker) PU = 100 | Striker frame PU = 100 | INV striker (integrated night-vent) PU = 100 | Sec TF striker (Tilt-Only striker) PU = 100 | Bullet catch PU = 10, 100 | Packer PU = 100 | Run-up stop Sash lifter with M.D. PU = 100 | Cam plate Centre closure PVC PU = 100 |
|----------------------------|--------------|---------------|---------------|---------|-------------------|--|------------------------|--|---|---------------------------|-----------------|--|---------------------------------------|
| Gromathic System MD 3000 | GM 3001 | GM 3008 | GM 3004 | 9.0 | 20/0° | 6-27674-24-0-1 | 9-34202-00-0-1 | | 6-32668-00-0-1 | | | | |
| Hocoplast H 120 | 120-86 | 100-68 | 100-42 | 9.0 | 20/5° | 6-27674-19-0-1 | E-11968-00-0-1 | | 6-32668-00-0-1 | | | | |
| Home | F 84 | B 80 | | 9.0 | 20/6° | 6-27674-04-0-1 | 9-30146-02-0-1 | | 6-32668-00-0-1 | K-17044-00-0-1 | 9-30082-00-0-1 | | |
| Inoutic AD | Z 10 | L 10 | | 13.0 | 21/0° | 6-27831-03-0-1 | 9-34492-00-0-1 | 9-43526-00-0-1 | 6-32668-00-0-1 | K-17044-00-0-1 | 9-30081-00-0-1 | 9-40467-00-0-1 | 9-40565-09-0-1 |
| Inoutic Delux | Z 710 | | | 13.0 | -/- | G-22299-30-0-1 | | | 6-32668-00-0-1 | K-17044-00-0-1 | | | |
| Inoutic Elite | Z 710 | L 710 | | 13.0 | 20/0° | 6-27831-03-0-1 | 9-34492-00-0-1 | 9-43526-00-0-1 | 6-32668-00-0-1 | K-17044-00-0-1 | 9-30081-00-0-1 | 9-40467-00-0-1 | 9-40565-09-0-1 |
| Inoutic MD | ZM 1-4 | LM 10 | | 9.0 | 21/0° | 6-27674-09-0-1 | 9-31755-00-0-1 | | 6-32668-00-0-1 | | | 9-40467-00-0-1 | |
| Inoutic MD 100 | ZM 200 | LM 200 | | 13.0 | 21/0° | 6-27831-03-0-1 | 9-34492-00-0-1 | | 6-32668-00-0-1 | K-17044-00-0-1 | 9-30081-00-0-1 | | 9-40565-09-0-1 |
| Inoutic MD 100 | ZM 100 | LM 100 | | 13.0 | 21/0° | 6-27831-03-0-1 | 9-34492-00-0-1 | | 6-32668-00-0-1 | K-17044-00-0-1 | 9-30081-00-0-1 | | 9-40565-09-0-1 |
| Inoutic Prestige | Z 184 | L 176 | | 13.0 | 21/0° | 6-27831-03-0-1 | 9-34492-00-0-1 | | 6-32668-00-0-1 | K-17044-00-0-1 | 9-30081-00-0-1 | 9-40467-00-0-1 | 9-40565-09-0-1 |
| Internova 4KS | GF 4022 | GR 4000 | GS 4050 | 13.0 | 20/0° | 6-27831-06-0-1 | 9-43616-00-0-1 | 9-43537-00-0-1 | 6-32668-00-0-1 | K-17118-00-0-1 | | 9-40465-00-0-1 | 9-40866-00-0-1 |
| Internova 6000 | GF 6020 | GR 6001 | | 13.0 | 20/0° | 6-27831-06-0-1 | 9-43616-00-0-1 | 9-43537-00-0-1 | 6-32668-00-0-1 | K-17118-00-0-1 | | 9-40465-00-0-1 | 9-40866-00-0-1 |
| Kompen KOM 900 | | | | 13.0 | -/- | 6-31067-05-0-1 | 9-42972-00-0-1 | 9-43533-00-0-1 | 6-32668-00-0-1 | K-17747-00-0-1 | | 9-40465-00-0-1 | 9-40866-00-0-1 |
| Kompen Thermoline KOM 600 | KOM 602 | KOM 605 | | 13.0 | 20/0° | 6-31067-05-0-1 | 9-42972-00-0-1 | 9-43533-00-0-1 | 6-32668-00-0-1 | K-17747-00-0-1 | | 9-40465-00-0-1 | 9-40866-00-0-1 |
| LB-Profile PCD | CZ2-5 | CL2-5 | | 13.0 | 20/0° | 6-27831-16-0-1 | 9-34907-00-0-1 | | 6-32668-00-0-1 | | | | |
| LB-Profile PCD | CZ2-5 | CLM2-5-C | | 13.0 | 20/0° | 6-27831-16-0-1 | 9-34907-00-0-1 | | 6-32668-00-0-1 | | | | |
| Oxxo Evolution | | | | 13.0 | -/- | G-22299-09-0-1 | | | 6-32668-00-0-1 | | | | |
| Oxxo Sym | | | | 13.0 | -/- | G-22299-51-0-1 | | | 6-32668-00-0-1 | | | | |
| Pakpen | | | | 9.0 | -/- | U-70353-01-0-1 | | | 6-32668-00-0-1 | | | | |
| Pakpen Global Seri | | | | 13.0 | -/- | U-70354-01-0-1 | 9-40328-00-0-1 | | 6-32668-00-0-1 | | | | |
| Pakpen Optimal | | | | 13.0 | 20/0° | U-70354-01-0-1 | 9-40328-00-0-1 | | 6-32668-00-0-1 | | | | |
| Panorama 3000 | 3015 | 3001 | | 13.0 | 20/0° | 6-27831/So-0-1 | 9-41591-00-0-1 | | 6-32668-00-0-1 | K-17118-00-0-1 | | 9-40488-00-0-1 | |
| Pimapen S 7500 Fantasia | | | | 13.0 | 20/0° | 6-27831-06-0-1 | 9-42972-00-0-1 | | 6-32668-00-0-1 | | | | |
| Pimapen S6000 | | | | 9.0 | 20/0° | U-70353-01-0-1 | 9-34202-00-0-1 | | 6-32668-00-0-1 | | | | |
| Pimapen S6000 | | | | 13.0 | -/- | U-70354-01-0-1 | | | 6-32668-00-0-1 | | | | |
| Plafen E-Line | EZ 60/77 | EL 60/66 | | 13.0 | 20/0° | 6-27831-04-0-1 | 9-42972-00-0-1 | | 6-32668-00-0-1 | | | | |
| Plastil Elodie | | | | 13.0 | -/- | G-22299-33-0-1 | | | 6-32668-00-0-1 | | | | |
| Plastival PF 5900 | F 001 | F 010 | F 022 | 13.0 | 20/7° | G-22299-20-0-1 | E-18736-00-0-1 | | 6-32668-00-0-1 | K-17044-00-0-1 | E-18773-00-0-1 | E-21902-20-0-1 | |
| Plustec Softline | FR 60 V | BR 66 | ST 61 | 13.0 | 20/5° | 6-31067-06-0-1 | 9-37135-00-0-1 | 9-43533-00-0-1 | 6-32668-00-0-1 | K-17118-00-0-1 | | | |
| Primo 4000 | 3283 | 3282 | | 13.0 | 20/- | 6-27831-50-0-1 | 9-34907-00-0-1 | | 6-32668-00-0-1 | | | | |
| Profel | P 602 | P 601 | | 9.0 | 20/0° | 6-27674-57-0-1 | 9-30146-16-0-1 | | 6-32668-00-0-1 | | | | |
| Profex 2000 | | | | 13.0 | -/- | G-22299-21-0-1 | | | 6-32668-00-0-1 | | | | |
| Profine Eurodur 3S | 1411 | 1401 | 1440 | 13.0 | 20/4° | 6-27831-01-0-1 | 9-33802-00-0-1 | 9-43533-00-0-1 | 6-32668-00-0-1 | K-17118-00-0-1 | | 9-40457-00-0-1 | 9-40565-00-0-1 |
| Profine EuroFutur Classic | 2411 | 2401 | 2441 | 13.0 | 20/4° | 6-27831-01-0-1 | 9-33802-00-0-1 | 9-43533-00-0-1 | 6-32668-00-0-1 | K-17118-00-0-1 | | 9-40457-00-0-1 | 9-40565-00-0-1 |
| Profine EuroFutur Elegance | 111 | 101 | 141 | 13.0 | 20/4° | 6-27831-01-0-1 | 9-33802-00-0-1 | 9-43533-00-0-1 | 6-32668-00-0-1 | K-17118-00-0-1 | | 9-40457-00-0-1 | 9-40565-00-0-1 |
| Profine Gold | 1463 | 1461 | 1440 | 12.9 | 20/4° | 6-27831-56-0-1 | 9-35508-00-0-1 | 9-43533-00-0-1 | 6-32668-00-0-1 | K-17118-00-0-1 | | | 9-40565-06-0-1 |
| Profine KBE 58 | 318 | 306 | 134 | 9.0 | 20/2.5° | 6-27674-05-0-1 | 9-31115-00-0-1 | | 6-32668-00-0-1 | K-17044-00-0-1 | 9-30084-00-0-1 | 9-40469-00-0-1 | 9-40871-04-0-1 |
| Profine KBE 70 | 375 | 370 | 385 | 13.0 | 20/0° | 6-31067-03-0-1 | 9-35508-00-0-1 | 9-43533-00-0-1 | 6-32668-00-0-1 | K-17118-00-0-1 | | 9-40488-00-0-1 | 9-40565-06-0-1 |
| Profine KBE 70 | 9375 | 9370 | | 13.0 | 20/0° | 6-27831-56-0-1 | 9-35508-00-0-1 | 9-43533-00-0-1 | 6-32668-00-0-1 | K-17118-00-0-1 | | 9-40488-00-0-1 | 9-40565-06-0-1 |
| Profine Kömmerling 88+ | 6211 | 6201 | 6306 | 13.0 | 20/4° | 6-27831-01-0-1 | 9-33802-00-0-1 | 9-43533-00-0-1 | 6-32668-00-0-1 | K-17895-00-0-1 | | 9-40457-00-0-1 | 9-40565-00-0-1 |
| Profine Trocal 88+ | 8221 | 8102 | 532100 | 13.0 | 20/0° | 6-27674-42-0-1 | 9-41716-00-0-1 | 9-43492-00-0-1 | 6-32668-00-0-1 | K-17044-00-0-1 | 9-30084-00-0-1 | 9-40476-00-0-1 | 9-40871-03-0-1 |

UNI-JET hardware system – strikers, bullet catches and packers

for 1-sash windows and balcony-doors – "basic security"



| PVC profile systems | Sash profile | Frame profile | Dummy mullion | Axis mm | Sash overlap mm/° | Sec striker (Tilt-Only striker) PU = 100 | Striker frame PU = 100 | INV striker (integrated night-vent) PU = 100 | Sec TF striker (Tilt-Only striker) PU = 100 | Bullet catch PU = 10, 100 | Packer PU = 100 | Run-up stop Sash lifter with M.D. PU = 100 | Cam plate Centre closure PVC PU = 100 |
|-------------------------------|--------------|---------------|---------------|---------|-------------------|--|------------------------|--|---|---------------------------|-----------------|--|---------------------------------------|
| Profine Trocal 900 | 920100 | 910100 | 935100 | 9.0 | 20/0° | 6-27674-07-0-1 | 9-30806-03-0-1 | | 6-32668-00-0-1 | K-17044-00-0-1 | 9-30084-00-0-1 | 9-40476-00-0-1 | 9-40871-03-0-1 |
| Profine Trocal Confort | 120400 | 111000 | 130900 | 13.0 | 20/0° | 6-27831-40-0-1 | 9-37137-00-0-1 | 9-43469-00-0-1 | 6-32668-00-0-1 | K-17140-00-0-1 | | 9-40785-00-0-1 | 9-40565-11-0-1 |
| Profine Trocal Innonova 2000 | 520100 | 510100 | 532100 | 13.0 | 20/0° | 6-27674-42-0-1 | 9-41716-00-0-1 | 9-43492-00-0-1 | 6-32668-00-0-1 | K-17044-00-0-1 | 9-30084-00-0-1 | 9-40476-00-0-1 | 9-40871-03-0-1 |
| Profine Trocal Innonova 70 AD | 620600 | 610100 | | 13.0 | 20/0° | 6-27831-40-0-1 | 9-37137-00-0-1 | 9-43469-00-0-1 | 6-32668-00-0-1 | K-17140-00-0-1 | | 9-40785-00-0-1 | 9-40565-11-0-1 |
| Profine Trocal Innonova 70 MD | 520600 | 510300 | | 13.0 | 20/0° | 6-27831-40-0-1 | 9-37137-00-0-1 | 9-43469-00-0-1 | 6-32668-00-0-1 | K-17140-00-0-1 | | 9-40785-00-0-1 | 9-40565-11-0-1 |
| Pural AD | P 009 | P 002 | SA/SI | 9.0 | 18/0° | 6-27674-45-0-1 | 9-41261-00-0-1 | | 6-32668-00-0-1 | K-17044-00-0-1 | 9-41276-00-0-1 | 9-41277-00-0-1 | |
| Pural MD | P 005 | P 010 | Z100Z110 | 9.0 | 18/0° | 6-27674-45-0-1 | 9-41261-00-0-1 | | 6-32668-00-0-1 | K-17044-00-0-1 | 9-41276-00-0-1 | 9-41277-00-0-1 | |
| Rehau Brillant-Design | 550 060 | 550 000 | | 13.0 | 20/0° | 6-27831-02-0-1 | 9-35770-00-0-1 | 9-43469-00-0-1 | 6-32668-00-0-1 | K-17139-00-0-1 | | 9-40463-00-0-1 | 9-40565-07-0-1 |
| Rehau Klima-Design | 555 510 | 555 500 | | 13.0 | 20/0° | 6-27831-02-0-1 | 9-35770-00-0-1 | 9-43469-00-0-1 | 6-32668-00-0-1 | K-17139-00-0-1 | | 9-40463-00-0-1 | 9-40565-07-0-1 |
| Rehau Geneo | Z 57 | 72 AD | 60 | 13.0 | 20/0° | 6-30495-05-0-1 | 9-44525-01-0-1 | 9-43469-00-0-1 | 6-32668-00-0-1 | 6-34622-00-0-1 | | 9-44545-00-0-1 | 9-44549-00-0-1 |
| Rehau Optimum/Platinum | | | | 13.0 | -/- | G-22299-22-0-1 | | | 6-32668-00-0-1 | | | | |
| Rehau S 730 | 541 010 | 541 060 | 541 100 | 13.0 | 20/0° | 6-31067-07-0-1 | 9-35770-00-0-1 | 9-43469-00-0-1 | 6-32668-00-0-1 | K-17139-00-0-1 | | 9-40463-00-0-1 | 9-40565-07-0-1 |
| Rehau S 780 | 634 153 | 634 133 | 632 913 | 9.0 | 18/0° | 6-27674-13-0-1 | E-14339-00-0-1 | | 6-32668-00-0-1 | | | | |
| Roloplast 3-K | 310 | 301 | 321 | 13.0 | 20/- | 6-31067-03-0-1 | 9-42972-00-0-1 | | 6-32668-00-0-1 | | | | |
| Roloplast 4-K | 410 | 401 | 421 | 9.4 | 20/- | 6-27674-So-0-1 | 9-31115-00-0-1 | | 6-32668-00-0-1 | | | | |
| Roloplast 6-K | 610 | 601 | 621 | 13.0 | 20/- | 6-31067-03-0-1 | 9-42972-00-0-1 | | 6-32668-00-0-1 | | | | |
| Roplasto 6001 Plus S-AD | 641300 | 619003 | | 9.0 | 20/0° | 6-27674-20-0-1 | E-15061-00-0-1 | | 6-32668-00-0-1 | K-17044-00-0-1 | 9-30082-00-0-1 | | |
| Roplasto 6001 Plus S-AD | 640200 | 619003 | | 9.0 | 20/0° | 6-27674-20-0-1 | E-15061-00-0-1 | | 6-32668-00-0-1 | K-17044-00-0-1 | 9-30082-00-0-1 | | |
| Roplasto 6001 Plus S-MD | 641300 | 610102 | 610700 | 9.0 | 20/0° | 6-27674-59-0-1 | E-13534-10-0-1 | | 6-32668-00-0-1 | K-17044-00-0-1 | 9-41625-00-0-1 | 9-40489-00-0-1 | |
| Roplasto 6001 Plus S-MD | 640200 | 610172 | 610700 | 9.0 | 20/0° | 6-27674-59-0-1 | E-13534-10-0-1 | | 6-32668-00-0-1 | K-17044-00-0-1 | 9-41625-00-0-1 | 9-40489-00-0-1 | |
| Roplasto 6002 | 671000 | 670100 | 673500 | 13.0 | 22/0° | 6-31067-03-0-1 | 9-35508-00-0-1 | | 6-32668-00-0-1 | K-17139-00-0-1 | | 9-40488-00-0-1 | 9-40565-04-0-1 |
| Roplasto 7001 | 220204 | 210804 | | 13.0 | 22/0° | 6-31067-03-0-1 | 9-35508-00-0-1 | | 6-32668-00-0-1 | K-17139-00-0-1 | | 9-40488-00-0-1 | 9-40565-04-0-1 |
| Salamander bluEvolution | 171 020 | 170 420 | 176 020 | 13.0 | 20/0° | 6-31067-15-0-1 | 9-38218-00-0-1 | 9-43524-00-0-1 | 6-32668-00-0-1 | K-17139-00-0-1 | | 9-40466-00-0-1 | 9-40565-10-0-1 |
| Salamander Design 2D | 211 025 | 210 020 | 216 020 | 13.0 | 20/0° | 6-27831-30-0-1 | 9-38634-00-0-1 | 9-43524-00-0-1 | 6-32668-00-0-1 | K-17139-00-0-1 | | 9-40466-00-0-1 | 9-40565-10-0-1 |
| Salamander Design 3D | 211 220 | 110 220 | * | 13.0 | 20/R14 | 6-31067-04-0-1 | 9-38634-00-0-1 | 9-43524-00-0-1 | 6-32668-00-0-1 | K-17139-00-0-1 | | 9-40466-00-0-1 | 9-40565-10-0-1 |
| Salamander Design MD | 111 026 | 110 036 | 116 025 | 13.0 | 20/0° | 6-27831-30-0-1 | 9-38634-00-0-1 | 9-43524-00-0-1 | 6-32668-00-0-1 | K-17139-00-0-1 | | 9-40466-00-0-1 | 9-40565-10-0-1 |
| Salamander Streamline | 251 020 | 250 220 | | 13.0 | 20/0° | 6-31067-04-0-1 | 9-38634-00-0-1 | 9-43524-00-0-1 | 6-32668-00-0-1 | K-17139-00-0-1 | | 9-40466-00-0-1 | 9-40565-10-0-1 |
| Salamander Universal | 201 020 | 200 020 | 206 030 | 9.0 | 20/0° | 6-27674-08-0-1 | 9-31750-00-0-1 | | 6-32668-00-0-1 | K-17044-00-0-1 | 9-34861-00-0-1 | 9-40471-00-0-1 | |
| Salamander Universal | 201 030 | 200 020 | 206 030 | 9.0 | 20/0° | 6-27674-08-0-1 | 9-31750-00-0-1 | | 6-32668-00-0-1 | K-17044-00-0-1 | 9-34861-00-0-1 | 9-40471-00-0-1 | |
| Schüco Corona AS 60 | 8105 | 8101 | 8131 | 13.0 | 20/0° | 6-27831-08-0-1 | 9-38218-00-0-1 | 9-43469-00-0-1 | 6-32668-00-0-1 | K-17139-00-0-1 | | 9-40065-00-0-1 | 9-40866-00-0-1 |
| Schüco Corona CT 60 | | | | 13.0 | -/- | G-22299-25-0-1 | | | 6-32668-00-0-1 | | | | |
| Schüco Corona CT 70 | 8586 | 8597 | 8574 | 13.0 | 20/0° | 6-27831-25-0-1 | 9-38218-00-0-1 | 9-43497-00-0-1 | 6-32668-00-0-1 | K-17747-00-0-1 | | 9-40066-00-0-1 | 9-40866-00-0-1 |
| Schüco Corona MD 60 | 8121 | 8116 | 8137 | 13.0 | 20/0° | 6-27831-08-0-1 | 9-38218-00-0-1 | 9-43469-00-0-1 | 6-32668-00-0-1 | K-17139-00-0-1 | | | 9-40866-00-0-1 |
| Sim Heliance | | | | 13.0 | -/- | G-22299-40-0-1 | | | 6-32668-00-0-1 | | | | |
| Socredis S33 | | | | 13.0 | -/- | G-22299-39-0-1 | | | 6-32668-00-0-1 | | | | |
| Socredis Symbioline | | | | 13.0 | -/- | 6-27831-67-0-1 | | | 6-32668-00-0-1 | | | | |
| Stöckel Ecostep | 2260 | 2111 | | 13.0 | 20/- | 6-27831-21-0-1 | 9-37730-00-0-1 | | 6-32668-00-0-1 | | | | |
| Technal Focus | | | | 9.0 | -/- | 6-27674-65-0-1 | | | 6-32668-00-0-1 | | | | |
| Thermoplast | AP024 | AP021 | | 9.0 | 20/0° | 6-27674-46-0-1 | 9-37790-00-0-1 | | 6-32668-00-0-1 | | | | |
| Thermoplast | AP302 | AP301 | | 13.0 | 20/0° | 6-27674-46-0-1 | 9-34907-00-0-1 | | 6-32668-00-0-1 | | | | |
| Tundra | | | | 9.0 | -/- | 6-27674-64-0-1 | | | 6-32668-00-0-1 | | | | |

UNI-JET hardware system – strikers, bullet catches and packers

for 1-sash windows and balcony-doors – "basic security"



| PVC profile systems | Sash profile | Frame profile | Dummy mullion | Axis mm | Sash overlap mm/° | Sec striker (Tilt-Only striker) PU = 100 | Striker frame PU = 100 | INV striker (integrated night-vent) PU = 100 | Sec TF striker (Tilt-Only striker) PU = 100 | Bullet catch PU = 10, 100 | Packer PU = 100 | Run-up stop Sash lifter with M.D. PU = 100 | Cam plate Centre closure PVC PU = 100 |
|----------------------|--------------|---------------|---------------|---------|-------------------|--|------------------------|--|---|---------------------------|-----------------|--|---------------------------------------|
| Veka 70 | | | | 13.0 | -/- | G-22299-45-0-1 | | | 6-32668-00-0-1 | | | | |
| Veka Alphaline 90 MD | 103.312 | 101.236 | 102.244 | 13.0 | 20/0° | 6-27831-06-0-1 | 9-45847-00-0-1 | 9-43533-00-0-1 | 6-32668-00-0-1 | K-17747-00-0-1 | | 9-40465-00-0-1 | 9-40866-00-0-1 |
| Veka Kietis | | | | 13.0 | -/- | G-22299-32-0-1 | | | 6-32668-00-0-1 | | | | |
| Veka Softline 70 AD | 103.197 | 101.086 | 102.196 | 13.0 | 20/0° | 6-27831-06-0-1 | 9-45847-00-0-1 | 9-43533-00-0-1 | 6-32668-00-0-1 | K-17747-00-0-1 | | 9-40465-00-0-1 | 9-40866-00-0-1 |
| Veka Softline AD | 103.105 | 101.085 | 102.196 | 9.0 | 20/0° | 6-27674-46-0-1 | 9-34202-00-0-1 | 9-43533-00-0-1 | 6-32668-00-0-1 | K-17044-00-0-1 | E-20048-09-0-1 | 9-40464-00-0-1 | 9-40871-04-0-1 |
| Veka Softline AD | 103.100 | 101.086 | 102.196 | 9.0 | 20/0° | 6-27674-46-0-1 | 9-34202-00-0-1 | 9-43533-00-0-1 | 6-32668-00-0-1 | K-17044-00-0-1 | E-20048-09-0-1 | 9-40464-00-0-1 | 9-40871-04-0-1 |
| Veka Softline MD | 103.117 | 101.098 | | 9.0 | 20/0° | 6-27674-46-0-1 | 9-34202-00-0-1 | 9-43533-00-0-1 | 6-32668-00-0-1 | K-17044-00-0-1 | E-20048-09-0-1 | 9-40464-00-0-1 | 9-40871-04-0-1 |
| Veka Topline AD | 103.200 | 101.200 | 102.206 | 13.0 | 20/0° | 6-31067-05-0-1 | 9-45847-00-0-1 | 9-43533-00-0-1 | 6-32668-00-0-1 | K-17747-00-0-1 | | 9-40465-00-0-1 | 9-40866-00-0-1 |
| Veka Topline MD | 103.220 | 101.220 | 102.226 | 13.0 | 20/0° | 6-27831-06-0-1 | 9-42972-00-0-1 | 9-43533-00-0-1 | 6-32668-00-0-1 | K-17747-00-0-1 | | 9-40465-00-0-1 | 9-40866-00-0-1 |
| VIVA-Plast | | | | 13.0 | 20/0° | 6-27831-06-0-1 | 9-42972-00-0-1 | 9-43533-00-0-1 | 6-32668-00-0-1 | K-17118-00-0-1 | | 9-40465-00-0-1 | 9-40866-00-0-1 |
| Weltplast | 552000 | 550000 | 562000 | 9.0 | -/0° | 6-27674-60-0-1 | 9-41364-00-0-1 | 9-43528-00-0-1 | 6-32668-00-0-1 | K-17044-00-0-1 | 9-41595-00-0-1 | 9-41457-00-0-1 | |
| Winsa | 1102 | 1101 | 1161 | 13.0 | 20/0° | 6-27831-53-0-1 | 9-38115-00-0-1 | | 6-32668-00-0-1 | | | | |
| Wymar 2000 | P 2204 | P 2008 | | 13.0 | 20/0° | 6-27831-11-0-1 | 9-35737-00-0-1 | | 6-32668-00-0-1 | K-17044-00-0-1 | E-18310-00-0-1 | 9-40475-00-0-1 | |
| Wymar 2500 | | | | 13.0 | 20/0° | 6-27831-42-0-1 | E-19550-32-0-1 | | 6-32668-00-0-1 | K-17118-00-0-1 | | 9-42662-00-0-1 | 9-40565-04-0-1 |
| Wymar 3000 | 3200 | 3000 | 3300 | 13.0 | 20/10° | 6-27831-45-0-1 | E-19550-62-0-1 | | 6-32668-00-0-1 | K-17118-00-0-1 | | 9-41864-00-0-1 | 9-41866-00-0-1 |

UNI-JET hardware system – strikers, lever-operated gears and packers

for 2-sash windows and balcony-doors with dummy mullion – "basic security"



| PVC profile systems | Sash profile | Frame profile | Dummy mullion | Axis mm | Sash overlap mm/° | Striker frame PU = 100 | Striker dummy mullion PU = 100 | Lever-operated gear | Packer for lever-operated gear PU = 100 | | | |
|---------------------------|--------------|---------------|---------------|---------|-------------------|------------------------|--------------------------------|---------------------|---|--|--|--|
| Accord | 503002 | 503001 | 503228 | 9.0 | 19/0° | 9-34325-00-0-1 | 9-30146-01-0-1 | ZK | | | | |
| Accord Contour 7.0 MD | A.FL 02 | A.RA 03 | A.ST 01 | 13.0 | 20/0° | 9-38620-00-0-1 | E-13534-12-0-1 | | | | | |
| Actual A 600 | | | | 13.0 | -/0° | 9-39614-00-0-1 | | | | | | |
| Alphacan Class | MB 00 G | MT 00 B | MS 75 B | 13.0 | 20/0° | 9-41977-00-0-1 | E-13534-12-0-1 | | | | | |
| Alphacan Fersina Diplomat | ZOMI | ELMI | DUEB | 9.1 | 21/0° | 9-36886-00-0-1 | 9-30146-05-0-1 | | | | | |
| Alphacan Fersina Master | ZOM 01 | ELA 02 | TAO 00 | 9.4 | 21.7/0° | 9-30146-07-0-1 | 9-30146-05-0-1 | ZK | 9-32035-05-0-1 | | | |
| Aluplast Ideal 2000 | 120022 | 120002 | 120204 | 13.0 | 20/5° | 9-34907-00-0-1 | E-13534-12-0-1 | ZH | | | | |
| Aluplast Ideal 4000 | 140025 | 140002 | 140066 | 13.0 | 20/0° | 9-34907-00-0-1 | E-13534-12-0-1 | ZH | | | | |
| Aluplast Ideal 5000 | 140020 | 140001 | 140250 | 13.0 | 20/0° | 9-38634-00-0-1 | E-13534-12-0-1 | ZH | | | | |
| Aluplast Signum 21 | 70 | 71 | 4143 | 9.0 | 20/0° | 9-30146-04-0-1 | 9-43809-00-0-1 | ZH | | | | |
| Aluplast Signum 25 | 2539 | 2534 | 2550 | 13.0 | 20/0° | 9-35770-00-0-1 | E-13534-12-0-1 | ZH | | | | |
| Aluplast Signum 26 | 2610 | 2601 | 2630 | 13.0 | 20/0° | 9-34907-00-0-1 | E-13534-12-0-1 | ZH | | | | |
| Atrya (Tryba) E 58 | Z 74 | L 65 | T 32 | 9.0 | 20/5° | E-16069-00-0-1 | 9-43809-00-0-1 | ZH | | | | |
| Atrya (Tryba) T 58 | AZ 76 | L 65 | | 13.0 | 20/5° | E-18949-00-0-1 | 9-43809-00-0-1 | ZH | | | | |
| Atrya (Tryba) T 62 | BS 100 | NS 100 | MC 100 | 9.0 | 20/5° | E-16237-00-0-1 | E-16237-00-0-1 | | | | | |
| Brügmann 81 | HF 410 | HF 431 | HF 438 | 9.0 | 20/0° | 9-32616-00-0-1 | 9-30735-00-0-1 | ZH | | | | |
| Brügmann AD | HP 152 | HP 102 | HP 350 | 13.0 | 20/0° | 9-34907-00-0-1 | E-13534-12-0-1 | ZH | | | | |
| Brügmann Euro 92 | HF 952 | HF 941 | ZF 983 | 9.0 | 20/0° | 9-35745-00-0-1 | 9-35745-00-0-1 | ZK | | | | |
| Brügmann MD | HP 252 | HP 202 | HP 451 | 13.0 | 20/0° | 9-34907-00-0-1 | E-13534-12-0-1 | ZH | | | | |
| Deceuninck 1800 | P 1806 | P 1801 | P 400 | 8.7 | 21/0° | 9-36544-00-0-1 | E-13534-12-0-1 | ZH | | | | |
| Deceuninck Mondial | P 2020 | P 2000 | P 2040 | 13.0 | 21/0° | 9-35737-00-0-1 | E-13534-12-0-1 | ZH | | | | |
| Deceuninck Mondial | P 2105 | P 2100 | P 2045 | 13.0 | 21/0° | 9-35737-00-0-1 | E-13534-12-0-1 | ZH | | | | |
| Dimex Komfort | | | | 13.0 | 20/0° | 9-34907-00-0-1 | E-13534-12-0-1 | | | | | |
| Dimex Super | 7750 | | 8510 | 9.0 | 20/0° | 9-34202-00-0-1 | 9-30627-00-0-1 | ZK | | | | |
| Dongsan (Korea) | 1616 | 1604 | 1640 | 13.0 | 20/- | 9-33802-00-0-1 | E-13534-12-0-1 | ZH | | | | |
| Edil Oslo | P 1579 | P 1590 | P 1584 | 13.0 | 20/0° | 9-38307-00-0-1 | E-13534-12-0-1 | ZH | | | | |
| Edil Plastix | P 1472 | P 1470 | P 1180 | | | 9-30146-03-0-1 | 9-30146-03-0-1 | | | | | |
| Edil Plastix | P 1576 | P 1580 | P 1684 | | | 9-30146-03-0-1 | 9-30146-03-0-1 | | | | | |
| Egeprofil Türkei | | | | 9.0 | 21/5° | 9-33271-00-0-1 | E-13534-12-0-1 | ZH | | | | |
| Europlast 7000 | R 7011 | R 7001 | | 9.0 | 21.2/5° | 9-30146-09-0-1 | 9-30146-09-0-1 | ZK | | | | |
| Fapes | 82 | 81 | 85 | 9.0 | 22/0° | 9-39511-00-0-1 | E-13534-12-0-1 | ZH | | | | |
| Gealan S 3000 | 3090 | 3008 | 3080 | 13.0 | 20/0° | 9-35858-00-0-1 | E-13534-12-0-1 | ZH | | | | |
| Gealan S 3000 | 3090 | 3008 | 3301 | 13.0 | 20/0° | 9-35858-00-0-1 | 9-35858-00-0-1 | ZK | | | | |
| Gealan S 6000 | 6093 | 6008 | 6051 | 13.0 | 20/0° | 9-37885-00-0-1 | E-13534-12-0-1 | ZH | | | | |
| Gealan S 7000 IQ | 7093 | 7008 | 7302 | 13.0 | 20/0° | 9-35858-00-0-1 | E-13534-12-0-1 | ZH | | | | |
| Gealan S 7000 IQ | 7093 | 7008 | 7303 | 13.0 | 20/0° | 9-35858-00-0-1 | 9-35858-00-0-1 | ZK | | | | |
| Gealan S 8000 | 8066 | 8008 | 8080 | 13.0 | 20/0° | 9-35858-00-0-1 | E-13534-12-0-1 | ZH | | | | |
| Gromathic System AD 3100 | GM 3101 | GM 3108 | GM 3114 | 9.0 | 20/0° | 9-34202-00-0-1 | | ZK | 9-32035-03-0-1 | | | |
| Gromathic System MD 3000 | GM 3001 | GM 3008 | GM 3004 | 9.0 | 20/0° | 9-34202-00-0-1 | 9-34202-00-0-1 | | | | | |
| Helmitin KS | 4-60115 | 4-60111 | 4-60124 | 12.3 | 20/0° | 9-35714-00-0-1 | 9-35714-00-0-1 | ZK | 9-32035-05-0-1 | | | |
| Helmitin KSL | 4-60185 | 4-60180 | 4-60201 | 12.3 | 20/0° | 9-35714-00-0-1 | E-13534-12-0-1 | ZH | | | | |

UNI-JET hardware system – strikers, lever-operated gears and packers

for 2-sash windows and balcony-doors with dummy mullion – "basic security"



| PVC profile systems | Sash profile | Frame profile | Dummy mullion | Axis mm | Sash overlap mm/° | Striker frame PU = 100 | Striker dummy mullion PU = 100 | Lever-operated gear | Packer for lever-operated gear PU = 100 | | | | |
|-----------------------------|--------------|---------------|---------------|---------|-------------------|------------------------|--------------------------------|---------------------|---|--|--|--|--|
| Hocoplast H 120 | 120-86 | 100-68 | 100-42 | 9.0 | 20/5° | E-11968-00-0-1 | E-13534-12-0-1 | ZH | | | | | |
| Inoutic AD | Z 10 | L 10 | SFZ 10 | 13.0 | 21/0° | 9-34492-00-0-1 | E-13534-12-0-1 | | | | | | |
| Inoutic MD | ZM 1 | LM 10 | SFM 1 | 9.0 | 21/0° | 9-31755-00-0-1 | E-13534-12-0-1 | ZH | | | | | |
| Internorm | IF | LS | | 9.0 | 20/0° | 9-30146-01-0-1 | E-13534-12-0-1 | | | | | | |
| Intertec (Greiner) | GF 1020 | GR 1001 | GS 1050 | 9.0 | 20/0° | E-14339-00-0-1 | E-14339-00-0-1 | ZK | | | | | |
| Intertec WD 70 (Greiner) | 140001 | 140020 | 140050 | 13.0 | 20/0° | 9-38634-00-0-1 | E-13534-12-0-1 | ZH | | | | | |
| Ital Plastick | 07073ZE | 07073EL | 07073TC | 10.0 | 20/0° | 9-30146-04-0-1 | 9-30146-04-0-1 | ZK | | | | | |
| LB-Profile PAD | AZ 2-3 | AL 1-3 | MSZ-10 | 13.0 | 20/0° | 9-34907-00-0-1 | E-13534-12-0-1 | ZH | | | | | |
| Milani Resine-Plastalum 100 | SER 125 | SER 126 | SER 149 | 13.0 | 20/0° | 9-30146-03-0-1 | 9-30146-03-0-1 | ZK | | | | | |
| Plastival PF 5900 | F 001 | F 010 | F 022 | 13.0 | 20/7° | E-18736-00-0-1 | E-18108-00-0-1 | ZH | | | | | |
| Plastmo (DK) | 6035040 | 6035025 | 6035085 | 9.0 | 20/0° | 9-34202-00-0-1 | 9-34202-00-0-1 | ZK | 9-32035-03-0-1 | | | | |
| Plustec | FLR 70 | BLR 80C | ST 61 | 13.0 | 20/5° | 9-30146-01-0-1 | 9-30146-01-0-1 | ZK | | | | | |
| Plustec 3K-System AD | FR 60 V | BR 66 | ST 61 | 13.0 | 20/5° | 9-37135-00-0-1 | 9-38319-00-0-1 | | | | | | |
| Plustec 3K-System AD | FR 60 V | BR 66 | ST 44 | 13.0 | 20/5° | 9-37135-00-0-1 | E-13534-12-0-1 | ZH | | | | | |
| Primo Serie 400 | P 2379 | P 2297 | P 1899 | 9.0 | 20/12° | 9-36878-00-0-1 | 9-36878-00-0-1 | | | | | | |
| Profine Dina (Spanien) | 1753 | 1750 | 1755 | 12.9 | 20/4° | 9-33802-00-0-1 | 8-00975-00-0-1 | | | | | | |
| Profine Eurodur 3S | 1411 | 1401 | 1440 | 13.0 | 20/4° | 9-33802-00-0-1 | 8-00975-00-0-1 | | | | | | |
| Profine Eurodur 3S | 1411 | 1401 | 1440 | 12.9 | 20/4° | 9-33802-00-0-1 | 9-32275-00-0-1 | Euro | | | | | |
| Profine Eurodur 3S | 1411 | 1401 | 1441 | 12.9 | 20/4° | 9-33802-00-0-1 | 8-00975-00-0-1 | | | | | | |
| Profine Eurodur 3S | 1411 | 1401 | 1441 | 12.9 | 20/4° | 9-33802-00-0-1 | 9-32275-00-0-1 | Euro | | | | | |
| Profine Eurodur 3S | 1411 | 1401 | SP 1108 | 12.9 | 20/4° | 9-33802-00-0-1 | 9-34451-00-0-1 | | | | | | |
| Profine Eurodur 3S | 1411 | 1401 | 1565 | 12.9 | 20/4° | 9-33802-00-0-1 | E-13534-12-0-1 | ZH | | | | | |
| Profine EuroFutur Classic | 2411 | 2401 | 2441 | 13.0 | 20/4° | 9-33802-00-0-1 | 9-30748-05-0-1 | ZH | | | | | |
| Profine EuroFutur Elegance | 111 | 101 | 141 | 13.0 | 20/4° | 9-33802-00-0-1 | 9-30748-05-0-1 | ZH | | | | | |
| Profine Gold | 1463 | 1461 | 1440 | 12.9 | 20/4° | 9-35508-00-0-1 | 9-30146-11-0-1 | | | | | | |
| Profine Gold auswärts | 1482 | 1461 | 1441 | 12.9 | 20/4° | 9-35508-00-0-1 | 9-30146-11-0-1 | | | | | | |
| Profine Innonova 2000 | 520100 | 510100 | 532100 | 13.0 | 20/0° | 9-41716-00-0-1 | E-13534-12-0-1 | ZH | | | | | |
| Profine KBE 58 | 318 | 306 | 134 | 9.0 | 20/2.5° | 9-31115-00-0-1 | 9-31115-00-0-1 | ZK | 9-32035-04-0-1 | | | | |
| Profine KBE 58 | 318 | 306 | 734 | 9.0 | 20/4° | 9-31115-00-0-1 | E-13534-12-0-1 | ZH | | | | | |
| Profine KBE 58 | 317 | 306 | 134 neu | 9.0 | 20/4° | 9-31115-00-0-1 | E-13534-12-0-1 | ZH | | | | | |
| Profine KBE 58 | 113 | 100 | 133 | 9.0 | 20/4° | 9-33663-00-0-1 | E-13534-12-0-1 | | | | | | |
| Profine KBE 58 | 113 | 100 | 731 | 9.0 | 20/4° | 9-33663-00-0-1 | 9-43809-00-0-1 | ZH | | | | | |
| Profine KBE 70 | 375 | 370 | 385 | 13.0 | 20/0° | 9-35508-00-0-1 | E-13534-12-0-1 | ZH | | | | | |
| Profine Tritec | P 1472 | P 1320 | P 1659 | 8.0 | 20/0° | E-15321-00-0-1 | E-15321-00-0-1 | | | | | | |
| Profine Trocal 900 | 920600 | 910100 | 935100 | 9.0 | 20/0° | 9-30806-00-0-1 | 9-30806-00-0-1 | | | | | | |
| Profine Trocal 900 | 920100 | 910100 | 935300 | 9.0 | 20/0° | 9-30806-00-0-1 | 9-43809-00-0-1 | ZH | | | | | |
| Profine Trocal Confort | 120400 | 111000 | 130900 | 13.0 | 20/0° | 9-37137-00-0-1 | E-13534-12-0-1 | ZH | | | | | |
| Pural | P 005 | P 001 | SA/SI | 9.0 | 18/0° | 9-30146-11-0-1 | E-13534-12-0-1 | | | | | | |
| Ramplast Ecotherm | 302-01 | 301-01 | 304-01 | 9.0 | 20/0° | 9-31115-00-0-1 | E-13534-12-0-1 | ZH | | | | | |
| Rehau S 711 | 551 020 | 551 150 | 551 050 | 9.0 | 20/0° | E-13685-00-0-1 | E-13685-00-0-1 | ZK | | | | | |
| Rehau S 730 | 541 010 | 541 060 | 541 100 | 13.0 | 20/0° | 9-35770-00-0-1 | E-13534-12-0-1 | | | | | | |

UNI-JET hardware system – strikers, lever-operated gears and packers

for 2-sash windows and balcony-doors with dummy mullion – "basic security"



| PVC profile systems | Sash profile | Frame profile | Dummy mullion | Axis mm | Sash overlap mm/° | Striker frame PU = 100 | Striker dummy mullion PU = 100 | Lever-operated gear | Packer for lever-operated gear PU = 100 | | | |
|-------------------------|--------------|---------------|---------------|---------|-------------------|------------------------|--------------------------------|---------------------|---|--|--|--|
| Rehau S 780 | 634 153 | 634 133 | 632 913 | 9.0 | 18/0° | E-14339-00-0-1 | E-14339-00-0-1 | | | | | |
| Roplasto 6001 Plus S-MD | 641300 | 610102 | 610700 | 9.0 | 20/0° | E-13534-10-0-1 | E-13534-10-0-1 | ZK | | | | |
| Salamander bluEvolution | 171 020 | 170 420 | 176 020 | 13.0 | 20/0° | 9-38218-00-0-1 | E-13534-12-0-1 | ZH | | | | |
| Salamander Design 2D | 211 025 | 210 020 | 216 020 | 13.0 | 20/0° | 9-38634-00-0-1 | E-13534-12-0-1 | ZH | | | | |
| Salamander Design 3D | 211 220 | 110 220 | | 13.0 | 20/R14 | 9-38634-00-0-1 | E-13534-12-0-1 | ZH | | | | |
| Salamander Design MD | 111 026 | 110 036 | 116 025 | 13.0 | 20/0° | 9-38634-00-0-1 | E-13534-12-0-1 | ZH | | | | |
| Salamander Streamline | 251 020 | 250 220 | | 13.0 | 20/0° | 9-38634-00-0-1 | E-13534-12-0-1 | ZH | | | | |
| Salamander Universal | 201 020 | 200 020 | 206 030 | 9.0 | 20/0° | 9-31750-00-0-1 | 9-30146-01-0-1 | | 9-32035-03-0-1 | | | |
| Salamander Universal | 201 020 | 200 020 | 206 022 | 9.0 | 20/0° | 9-31750-00-0-1 | E-13534-12-0-1 | ZH | | | | |
| Schüco AS | 700100 | 702100 | 718400 | 8.2 | 20/5° | 9-30627-00-0-1 | 9-30627-00-0-1 | ZK | | | | |
| Schüco Corona AS 60 | 8105 | 8101 | 8131 | 13.0 | 20/0° | 9-38218-00-0-1 | E-13534-12-0-1 | ZH | | | | |
| Schüco Corona CT 70 | 8586 | 8597 | 8574 | 13.0 | 20/0° | 9-38218-00-0-1 | E-13534-12-0-1 | ZH | | | | |
| Schüco Corona MD 60 | 8121 | 8116 | 8137 | 13.0 | 20/0° | 9-38218-00-0-1 | E-13534-12-0-1 | ZH | | | | |
| Schüco M+A | 717903 | 726703 | 718303 | 8.2 | 20/5° | 9-30627-00-0-1 | 9-30748-03-0-1 | ZK | | | | |
| Schüco MF | 717800 | 717600 | 718200 | 9.0 | 20/5° | 9-30627-00-0-1 | 9-30748-03-0-1 | | | | | |
| Sopropfen Serie T 62 | BM 100 | NS 100 | ME 200 | 9.0 | 18/0° | E-16237-00-0-1 | E-13534-12-0-1 | | | | | |
| Spectus Windows | SW 09 | SW 05 | SW 51 | 9.0 | 20/15° | 9-30146-05-0-1 | 9-30146-05-0-1 | ZK | | | | |
| Technoplast | | | | 13.0 | 20/0° | 9-34542-00-0-1 | 9-34542-00-0-1 | | | | | |
| Veka Artline | 103.210 | 101.210 | 102.211 | | 20/0° | 9-38250-00-0-1 | 9-43809-00-0-1 | ZH | | | | |
| Veka Compact | | | | 9.0 | | E-18979-00-0-1 | | | | | | |
| Veka Contour | | | | 9.0 | | E-18979-00-0-1 | | | | | | |
| Veka Softline AD | 103.197 | 101.086 | 102.196 | 13.0 | 20/0° | 9-42972-00-0-1 | E-13534-12-0-1 | ZH | | | | |
| Veka Softline AD | 103.104 | 101.086 | 102.086 | 9.0 | 20/0° | 9-34202-00-0-1 | 9-34202-00-0-1 | ZK | | | | |
| Veka Softline AD | 103.102 | 101.085 | 102.118 | 9.0 | 20/0° | 9-34202-00-0-1 | E-13534-12-0-1 | ZH | | | | |
| Veka Softline MD | 103.116 | 101.098 | 102.106 | 9.0 | 20/0° | 9-34202-00-0-1 | 9-30146-11-0-1 | Euro | | | | |
| Veka Topline AD | 103.200 | 101.200 | 102.206 | 13.0 | 20/0° | 9-42972-00-0-1 | E-13534-12-0-1 | ZH | | | | |
| Veka Topline MD | 103.220 | 101.220 | 102.226 | 13.0 | 20/0° | 9-42972-00-0-1 | E-13534-12-0-1 | ZH | | | | |
| Weltplast | 552000 | 550000 | 562000 | 9.0 | -/0° | 9-41364-00-0-1 | E-13534-12-0-1 | ZH | | | | |
| Wymar 2500 | | | | 13.0 | 20/0° | E-19550-32-0-1 | E-13534-12-0-1 | ZH | | | | |
| Wymar 3000 | 3200 | 3000 | 3300 | 13.0 | 20/10° | 9-41839-00-0-1 | E-13534-12-0-1 | ZH | | | | |

UNI-JET hardware system – strikers

for 1-sash windows and balcony-doors – Ahs "Standard", Ahs "Extra" and RC 2



| PVC profile systems | Sash profile | Frame profile | Dummy mullion | Axis mm | Sash overlap mm/° | Sec striker (steel) PU = 100 | Sec TF striker (Tilt-Only striker) PU = 100 | Ahs striker (zinc) PU = 100 | | | | |
|---------------------------|--------------|---------------|---------------|---------|-------------------|------------------------------|---|-----------------------------|--|--|--|--|
| Accord Contour 7.0 MD | A.FL 02 | A.RA 01 | A.ST 01 | 13.0 | 20/0° | 6-27831-05-0-1 | 6-32668-00-0-1 | 9-39847-00-0-1 | | | | |
| Acome Crescendo | | | | 13.0 | -/- | G-22299-29-0-1 | 6-32668-00-0-1 | | | | | |
| Actual A 600 | | | | 13.0 | -/0° | 6-27831-26-0-1 | 6-32668-00-0-1 | | | | | |
| Alphacan Alpha 70-80 | 63 720 | 62 700 | | 13.0 | 20/0° | 6-27831-06-0-1 | 6-32668-00-0-1 | 9-42586-00-0-1 | | | | |
| Alphacan Class | MB 00 G | MT 00 B | MS 75 B | 13.0 | 20/0° | 6-27831-46-0-1 | 6-32668-00-0-1 | | | | | |
| Alphacan Esthea | 53-05 | 53-45 | | 12.9 | 20/0° | G-22299-14-0-1 | 6-32668-00-0-1 | | | | | |
| Alphacan Fersina Diplomat | ZOMI | ELMI | DUEB | 9.1 | 21/0° | 6-27674-30-0-1 | 6-32668-00-0-1 | | | | | |
| Alphacan Fersina Master | ZOM | ELA | TAO 00 | 9.4 | 21.7/0° | 6-27674-31-0-1 | 6-32668-00-0-1 | 9-42580-00-0-1 | | | | |
| Alphacan Profilia 600 | PF 096 | PF 090 | | 9.0 | 20/0° | 6-27674-07-0-1 | 6-32668-00-0-1 | | | | | |
| Alphacan Profilia MD 600 | PE 611 | PE 602 | | 13.0 | 20/0° | 6-27831-10-0-1 | 6-32668-00-0-1 | 9-42581-00-0-1 | | | | |
| Aluplast Ideal 1000 | 100x22 | 100x01 | 120205 | 13.0 | 20/5° | 6-27831-05-0-1 | 6-32668-00-0-1 | 9-39847-00-0-1 | | | | |
| Aluplast Ideal 2000 | 120022 | 120002 | 120204 | 13.0 | 20/5° | 6-27831-05-0-1 | 6-32668-00-0-1 | 9-39847-00-0-1 | | | | |
| Aluplast Ideal 4000 | 140025 | 140002 | 140066 | 13.0 | 20/0° | 6-27831-08-0-1 | 6-32668-00-0-1 | 9-41531-00-0-1 | | | | |
| Aluplast Ideal 5000 | 150025 | 150002 | 140250 | 13.0 | 20/0° | 6-27831-08-0-1 | 6-32668-00-0-1 | 9-41531-00-0-1 | | | | |
| Aluplast Ideal 6000 | 150025 | 160003 | | 13.0 | 20/0° | 6-27831-08-0-1 | 6-32668-00-0-1 | 9-41531-00-0-1 | | | | |
| Aluplast Ideal 7000 | 170007 | 140020 | | 13.0 | 20/0° | 6-27831-08-0-1 | 6-32668-00-0-1 | 9-41531-00-0-1 | | | | |
| Aluplast Ideal 8000 | 180x83 | 180x03 | | 13.0 | 20/0° | 6-27831-08-0-1 | 6-32668-00-0-1 | 9-41531-00-0-1 | | | | |
| Aluplast Signum 21 | 70 | 71 | 4143 | 9.0 | 20/0° | 6-27674-17-0-1 | 6-32668-00-0-1 | | | | | |
| Aluplast Signum 25 | 2539 | 2534 | 2550 | 13.0 | 20/0° | 6-27831-02-0-1 | 6-32668-00-0-1 | | | | | |
| Aluplast Signum 26 | 2610 | 2601 | 2630 | 13.0 | 20/0° | 6-27831-48-0-1 | 6-32668-00-0-1 | | | | | |
| Asaspen 70 mm | 7053 | 7052 | 7059 | 13.0 | 20/0° | 6-27831-06-0-1 | 6-32668-00-0-1 | 9-42586-00-0-1 | | | | |
| Atrya (Tryba) E 58 | Z 74 | L 65 | T 32 | 9.0 | 20/5° | 6-27674-22-0-1 | 6-32668-00-0-1 | | | | | |
| Atrya (Tryba) T 58 | Z 76 J | L 66/3J | | 13.0 | 20/5° | 6-27831-06-0-1 | 6-32668-00-0-1 | | | | | |
| Atrya (Tryba) T 58/3 | Z 76/3J | L 66/3J | | 13.1 | 20/5° | 6-27831-06-0-1 | 6-32668-00-0-1 | | | | | |
| Brüggmann AD | HP 152 | HP 102 | HP 350 | 13.0 | 20/0° | 6-27831-05-0-1 | 6-32668-00-0-1 | 9-39847-00-0-1 | | | | |
| Brüggmann MD | HP 252 | HP 202 | HP 451 | 13.0 | 20/0° | 6-27831-05-0-1 | 6-32668-00-0-1 | 9-39847-00-0-1 | | | | |
| Deceuninck 1800 | P 1807 | P 1801 | P 400 | 8.7 | 21/0° | 6-27674-14-0-1 | 6-32668-00-0-1 | | | | | |
| Deceuninck Mondial | P 2021 | P 2000 | P 2040 | 13.0 | 21/0° | 6-27831-31-0-1 | 6-32668-00-0-1 | 9-42583-00-0-1 | | | | |
| Deceuninck Mondial | P 2105 | P 2100 | P 2040 | 13.0 | 21/0° | 6-27831-31-0-1 | 6-32668-00-0-1 | 9-42583-00-0-1 | | | | |
| Deceuninck Zendow | 3052 | 3001 | 3077 | 13.0 | 20/5° | 6-27831-47-0-1 | 6-32668-00-0-1 | 9-41825-00-0-1 | | | | |
| Deceuninck Zendow Upgrade | 4040 | 4000 | 4031 | 13.0 | 20/5° | 6-27831-47-0-1 | 6-32668-00-0-1 | 9-41825-00-0-1 | | | | |
| Dimex Komfort | | | | 13.0 | 20/0° | 6-27831-08-0-1 | 6-32668-00-0-1 | 9-41531-00-0-1 | | | | |
| Egeplast | | | | 9.0 | 20/5° | 6-27674-53-0-1 | 6-32668-00-0-1 | | | | | |
| Fapes | 82 | 81 | 85 | 9.0 | 22/0° | 6-27674-55-0-1 | 6-32668-00-0-1 | | | | | |
| Funke KS Helios | | | | 13.0 | 20/3° | 6-31067-03-0-1 | 6-32668-00-0-1 | 9-42586-00-0-1 | | | | |
| Funke KS Phoenix | | | | 13.0 | 20/3° | 6-27831-06-0-1 | 6-32668-00-0-1 | 9-42586-00-0-1 | | | | |
| Gealan S 3000 | 3090 | 3008 | 3080 | 13.0 | 20/0° | 6-27831-04-0-1 | 6-32668-00-0-1 | 9-39155-00-0-1 | | | | |
| Gealan S 6000 | 6093 | 6008 | 6051 | 13.0 | 20/0° | 6-27831-22-0-1 | 6-32668-00-0-1 | 9-41536-00-0-1 | | | | |
| Gealan S 7000 IQ | 7093 | 7008 | 7302 | 13.0 | 20/0° | 6-31067-02-0-1 | 6-32668-00-0-1 | 9-39155-00-0-1 | | | | |
| Gealan S 8000 IQ | 8066 | 8008 | 8080 | 13.0 | 20/0° | 6-31067-02-0-1 | 6-32668-00-0-1 | 9-39155-00-0-1 | | | | |
| Gromathic System AD 3100 | GM 3101 | GM 3108 | GM 3114 | 9.0 | 20/0° | 6-27674-18-0-1 | 6-32668-00-0-1 | | | | | |

UNI-JET hardware system – strikers

for 1-sash windows and balcony-doors – Ahs "Standard", Ahs "Extra" and RC 2



| PVC profile systems | Sash profile | Frame profile | Dummy mullion | Axis mm | Sash overlap mm/° | Sec striker (steel) PU = 100 | Sec TF striker (Tilt-Only striker) PU = 100 | Ahs striker (zinc) PU = 100 | | | | |
|----------------------------|--------------|---------------|---------------|---------|-------------------|------------------------------|---|-----------------------------|--|--|--|--|
| Gromathic System MD 3000 | GM 3001 | GM 3008 | GM 3004 | 9.0 | 20/0° | 6-27674-24-0-1 | 6-32668-00-0-1 | | | | | |
| Hocoplast H 120 | 120-86 | 100-68 | 100-42 | 9.0 | 20/5° | 6-27674-19-0-1 | 6-32668-00-0-1 | | | | | |
| Home | F 84 | B 80 | | 9.0 | 20/6° | 6-27674-04-0-1 | 6-32668-00-0-1 | | | | | |
| Inoutic AD | Z 10 | L 10 | | 13.0 | 21/0° | 6-27831-03-0-1 | 6-32668-00-0-1 | 9-41534-00-0-1 | | | | |
| Inoutic Delux | Z 710 | | | 13.0 | -/- | G-22299-30-0-1 | 6-32668-00-0-1 | | | | | |
| Inoutic Elite | Z 710 | L 710 | | 13.0 | 20/0° | 6-27831-03-0-1 | 6-32668-00-0-1 | 9-41534-00-0-1 | | | | |
| Inoutic MD | ZM 1-4 | LM 10 | | 9.0 | 21/0° | 6-27674-09-0-1 | 6-32668-00-0-1 | | | | | |
| Inoutic MD 100 | ZM 200 | LM 200 | | 13.0 | 21/0° | 6-27831-03-0-1 | 6-32668-00-0-1 | 9-41534-00-0-1 | | | | |
| Inoutic MD 100 | ZM 100 | LM 100 | | 13.0 | 21/0° | 6-27831-03-0-1 | 6-32668-00-0-1 | 9-41534-00-0-1 | | | | |
| Inoutic Prestige | Z 184 | L 176 | | 13.0 | 21/0° | 6-27831-03-0-1 | 6-32668-00-0-1 | 9-41534-00-0-1 | | | | |
| Internova 4KS | GF 4022 | GR 4000 | GS 4050 | 13.0 | 20/0° | 6-27831-06-0-1 | 6-32668-00-0-1 | 9-42586-00-0-1 | | | | |
| Internova 6000 | GF 6020 | GR 6001 | | 13.0 | 20/0° | 6-27831-06-0-1 | 6-32668-00-0-1 | 9-42586-00-0-1 | | | | |
| Kompen KOM 900 | | | | 13.0 | -/- | 6-31067-05-0-1 | 6-32668-00-0-1 | 9-42586-00-0-1 | | | | |
| Kompen Thermoline KOM 600 | KOM 602 | KOM 605 | | 13.0 | 20/0° | 6-31067-05-0-1 | 6-32668-00-0-1 | 9-42586-00-0-1 | | | | |
| LB-Profile PCD | CZ2-5 | CL2-5 | | 13.0 | 20/0° | 6-27831-16-0-1 | 6-32668-00-0-1 | | | | | |
| LB-Profile PCD | CZ2-5 | CLM2-5-C | | 13.0 | 20/0° | 6-27831-16-0-1 | 6-32668-00-0-1 | | | | | |
| Oxxo Evolution | | | | 13.0 | -/- | G-22299-09-0-1 | 6-32668-00-0-1 | | | | | |
| Oxxo Sym | | | | 13.0 | -/- | G-22299-51-0-1 | 6-32668-00-0-1 | | | | | |
| Pakpen | | | | 9.0 | -/- | U-70353-01-0-1 | 6-32668-00-0-1 | | | | | |
| Pakpen Global Seri | | | | 13.0 | -/- | U-70354-01-0-1 | 6-32668-00-0-1 | 9-43348-00-0-1 | | | | |
| Pakpen Optimal | | | | 13.0 | 20/0° | U-70354-01-0-1 | 6-32668-00-0-1 | 9-43348-00-0-1 | | | | |
| Panorama 3000 | 3015 | 3001 | | 13.0 | 20/0° | 6-27831/So-0-1 | 6-32668-00-0-1 | | | | | |
| Pimapen S 7500 Fantasia | | | | 13.0 | 20/0° | 6-27831-06-0-1 | 6-32668-00-0-1 | | | | | |
| Pimapen S6000 | | | | 9.0 | 20/0° | U-70353-01-0-1 | 6-32668-00-0-1 | | | | | |
| Pimapen S6000 | | | | 13.0 | -/- | U-70354-01-0-1 | 6-32668-00-0-1 | | | | | |
| Plafen E-Line | EZ 60/77 | EL 60/66 | | 13.0 | 20/0° | 6-27831-04-0-1 | 6-32668-00-0-1 | | | | | |
| Plastil Elodie | | | | 13.0 | -/- | G-22299-33-0-1 | 6-32668-00-0-1 | | | | | |
| Plastival PF 5900 | F 001 | F 010 | F 022 | 13.0 | 20/7° | G-22299-20-0-1 | 6-32668-00-0-1 | | | | | |
| Plustec Softline | FR 60 V | BR 66 | ST 61 | 13.0 | 20/5° | 6-31067-06-0-1 | 6-32668-00-0-1 | | | | | |
| Primo 4000 | 3283 | 3282 | | 13.0 | 20/- | 6-27831-50-0-1 | 6-32668-00-0-1 | | | | | |
| Profel | P 602 | P 601 | | 9.0 | 20/0° | 6-27674-57-0-1 | 6-32668-00-0-1 | | | | | |
| Profex 2000 | | | | 13.0 | -/- | G-22299-21-0-1 | 6-32668-00-0-1 | | | | | |
| Profine Eurodur 3S | 1411 | 1401 | 1440 | 13.0 | 20/4° | 6-27831-01-0-1 | 6-32668-00-0-1 | 9-41530-00-0-1 | | | | |
| Profine EuroFutur Classic | 2411 | 2401 | 2441 | 13.0 | 20/4° | 6-27831-01-0-1 | 6-32668-00-0-1 | 9-41530-00-0-1 | | | | |
| Profine EuroFutur Elegance | 111 | 101 | 141 | 13.0 | 20/4° | 6-27831-01-0-1 | 6-32668-00-0-1 | 9-41530-00-0-1 | | | | |
| Profine Gold | 1463 | 1461 | 1440 | 12.9 | 20/4° | 6-27831-56-0-1 | 6-32668-00-0-1 | | | | | |
| Profine KBE 58 | 318 | 306 | 134 | 9.0 | 20/2.5° | 6-27674-05-0-1 | 6-32668-00-0-1 | 9-41533-00-0-1 | | | | |
| Profine KBE 70 | 375 | 370 | 385 | 13.0 | 20/0° | 6-31067-03-0-1 | 6-32668-00-0-1 | 9-41825-00-0-1 | | | | |
| Profine KBE 70 | 9375 | 9370 | | 13.0 | 20/0° | 6-27831-56-0-1 | 6-32668-00-0-1 | 9-41825-00-0-1 | | | | |
| Profine Kömmerling 88+ | 6211 | 6201 | 6306 | 13.0 | 20/4° | 6-27831-01-0-1 | 6-32668-00-0-1 | 9-41530-00-0-1 | | | | |
| Profine Trocal 88+ | 8221 | 8102 | 532100 | 13.0 | 20/0° | 6-27674-42-0-1 | 6-32668-00-0-1 | 9-41717-00-0-1 | | | | |

UNI-JET hardware system – strikers

for 1-sash windows and balcony-doors – Ahs "Standard", Ahs "Extra" and RC 2



| PVC profile systems | Sash profile | Frame profile | Dummy mullion | Axis mm | Sash overlap mm/° | Sec striker (steel) PU = 100 | Sec TF striker (Tilt-Only striker) PU = 100 | Ahs striker (zinc) PU = 100 | | | | |
|-------------------------------|--------------|---------------|---------------|---------|-------------------|------------------------------|---|-----------------------------|--|--|--|--|
| Profine Trocal 900 | 920100 | 910100 | 935100 | 9.0 | 20/0° | 6-27674-07-0-1 | 6-32668-00-0-1 | 9-42587-00-0-1 | | | | |
| Profine Trocal Confort | 120400 | 111000 | 130900 | 13.0 | 20/0° | 6-27831-40-0-1 | 6-32668-00-0-1 | 9-42809-00-0-1 | | | | |
| Profine Trocal Innonova 2000 | 520100 | 510100 | 532100 | 13.0 | 20/0° | 6-27674-42-0-1 | 6-32668-00-0-1 | 9-41717-00-0-1 | | | | |
| Profine Trocal Innonova 70 AD | 620600 | 610100 | | 13.0 | 20/0° | 6-27831-40-0-1 | 6-32668-00-0-1 | 9-42809-00-0-1 | | | | |
| Profine Trocal Innonova 70 MD | 520600 | 510300 | | 13.0 | 20/0° | 6-27831-40-0-1 | 6-32668-00-0-1 | 9-42809-00-0-1 | | | | |
| Pural AD | P 009 | P 002 | SA/SI | 9.0 | 18/0° | 6-27674-45-0-1 | 6-32668-00-0-1 | | | | | |
| Pural MD | P 005 | P 010 | Z100Z110 | 9.0 | 18/0° | 6-27674-45-0-1 | 6-32668-00-0-1 | | | | | |
| Rehau Brillant-Design | 550 060 | 550 000 | | 13.0 | 20/0° | 6-27831-02-0-1 | 6-32668-00-0-1 | 9-42592-00-0-1 | | | | |
| Rehau Clima-Design | 555 510 | 555 500 | | 13.0 | 20/0° | 6-27831-02-0-1 | 6-32668-00-0-1 | 9-42592-00-0-1 | | | | |
| Rehau Geneo | Z 57 | 72 AD | 60 | 13.0 | 20/0° | 6-30495-05-0-1 | 6-32668-00-0-1 | 9-44522-01-0-1 | | | | |
| Rehau Optimum/Platinum | | | | 13.0 | -/- | G-22299-22-0-1 | 6-32668-00-0-1 | | | | | |
| Rehau S 730 | 541 010 | 541 060 | 541 100 | 13.0 | 20/0° | 6-31067-07-0-1 | 6-32668-00-0-1 | 9-42592-00-0-1 | | | | |
| Rehau S 780 | 634 153 | 634 133 | 632 913 | 9.0 | 18/0° | 6-27674-13-0-1 | 6-32668-00-0-1 | | | | | |
| Roloplast 3-K | 310 | 301 | 321 | 13.0 | 20/- | 6-31067-03-0-1 | 6-32668-00-0-1 | 9-41825-00-0-1 | | | | |
| Roloplast 4-K | 410 | 401 | 421 | 9.4 | 20/- | 6-27674-So-0-1 | 6-32668-00-0-1 | 9-41533-00-0-1 | | | | |
| Roloplast 6-K | 610 | 601 | 621 | 13.0 | 20/- | 6-31067-03-0-1 | 6-32668-00-0-1 | 9-41825-00-0-1 | | | | |
| Roplasto 6001 Plus S-AD | 641300 | 619003 | | 9.0 | 20/0° | 6-27674-20-0-1 | 6-32668-00-0-1 | 9-42584-00-0-1 | | | | |
| Roplasto 6001 Plus S-AD | 640200 | 619003 | | 9.0 | 20/0° | 6-27674-20-0-1 | 6-32668-00-0-1 | 9-42584-00-0-1 | | | | |
| Roplasto 6001 Plus S-MD | 641300 | 610102 | 610700 | 9.0 | 20/0° | 6-27674-59-0-1 | 6-32668-00-0-1 | | | | | |
| Roplasto 6001 Plus S-MD | 640200 | 610172 | 610700 | 9.0 | 20/0° | 6-27674-59-0-1 | 6-32668-00-0-1 | | | | | |
| Roplasto 6002 | 671000 | 670100 | 673500 | 13.0 | 22/0° | 6-31067-03-0-1 | 6-32668-00-0-1 | | | | | |
| Roplasto 7001 | 220204 | 210804 | | 13.0 | 22/0° | 6-31067-03-0-1 | 6-32668-00-0-1 | | | | | |
| Salamander bluEvolution | 171 020 | 170 420 | 176 020 | 13.0 | 20/0° | 6-31067-15-0-1 | 6-32668-00-0-1 | 9-45738-00-0-1 | | | | |
| Salamander Design 2D | 211 025 | 210 020 | 216 020 | 13.0 | 20/0° | 6-27831-30-0-1 | 6-32668-00-0-1 | 9-42593-00-0-1 | | | | |
| Salamander Design 3D | 211 220 | 110 220 | * | 13.0 | 20/R14 | 6-31067-04-0-1 | 6-32668-00-0-1 | 9-41532-00-0-1 | | | | |
| Salamander Design MD | 111 026 | 110 036 | 116 025 | 13.0 | 20/0° | 6-27831-30-0-1 | 6-32668-00-0-1 | 9-42593-00-0-1 | | | | |
| Salamander Streamline | 251 020 | 250 220 | | 13.0 | 20/0° | 6-31067-04-0-1 | 6-32668-00-0-1 | 9-41532-00-0-1 | | | | |
| Salamander Universal | 201 020 | 200 020 | 206 030 | 9.0 | 20/0° | 6-27674-08-0-1 | 6-32668-00-0-1 | | | | | |
| Salamander Universal | 201 030 | 200 020 | 206 030 | 9.0 | 20/0° | 6-27674-08-0-1 | 6-32668-00-0-1 | | | | | |
| Schüco Corona AS 60 | 8105 | 8101 | 8131 | 13.0 | 20/0° | 6-27831-08-0-1 | 6-32668-00-0-1 | 9-41531-00-0-1 | | | | |
| Schüco Corona CT 60 | | | | 13.0 | -/- | G-22299-25-0-1 | 6-32668-00-0-1 | | | | | |
| Schüco Corona CT 70 | 8586 | 8597 | 8574 | 13.0 | 20/0° | 6-27831-25-0-1 | 6-32668-00-0-1 | 9-39847-00-0-1 | | | | |
| Schüco Corona MD 60 | 8121 | 8116 | 8137 | 13.0 | 20/0° | 6-27831-08-0-1 | 6-32668-00-0-1 | 9-41531-00-0-1 | | | | |
| Sim Heliance | | | | 13.0 | -/- | G-22299-40-0-1 | 6-32668-00-0-1 | | | | | |
| Socredis S33 | | | | 13.0 | -/- | G-22299-39-0-1 | 6-32668-00-0-1 | | | | | |
| Socredis Symbioline | | | | 13.0 | -/- | 6-27831-67-0-1 | 6-32668-00-0-1 | | | | | |
| Stöckel Ecostep | 2260 | 2111 | | 13.0 | 20/- | 6-27831-21-0-1 | 6-32668-00-0-1 | | | | | |
| Technal Focus | | | | 9.0 | -/- | 6-27674-65-0-1 | 6-32668-00-0-1 | | | | | |
| Thermoplast | AP024 | AP021 | | 9.0 | 20/0° | 6-27674-46-0-1 | 6-32668-00-0-1 | 9-39848-00-0-1 | | | | |
| Thermoplast | AP302 | AP301 | | 13.0 | 20/0° | 6-27674-46-0-1 | 6-32668-00-0-1 | 9-39848-00-0-1 | | | | |
| Tundra | | | | 9.0 | -/- | 6-27674-64-0-1 | 6-32668-00-0-1 | | | | | |

UNI-JET hardware system – strikers

for 1-sash windows and balcony-doors – Ahs "Standard", Ahs "Extra" and RC 2



| PVC profile systems | Sash profile | Frame profile | Dummy mullion | Axis mm | Sash overlap mm/° | Sec striker (steel) PU = 100 | Sec TF striker (Tilt-Only striker) PU = 100 | Ahs striker (zinc) PU = 100 | | | | |
|----------------------|--------------|---------------|---------------|---------|-------------------|------------------------------|---|-----------------------------|--|--|--|--|
| Veka 70 | | | | 13.0 | -/- | G-22299-45-0-1 | 6-32668-00-0-1 | | | | | |
| Veka Alphaline 90 MD | 103.312 | 101.236 | 102.244 | 13.0 | 20/0° | 6-27831-06-0-1 | 6-32668-00-0-1 | 9-42586-00-0-1 | | | | |
| Veka Kietis | | | | 13.0 | -/- | G-22299-32-0-1 | 6-32668-00-0-1 | | | | | |
| Veka Softline 70 AD | 103.197 | 101.086 | 102.196 | 13.0 | 20/0° | 6-27831-06-0-1 | 6-32668-00-0-1 | 9-42586-00-0-1 | | | | |
| Veka Softline AD | 103.105 | 101.085 | 102.196 | 9.0 | 20/0° | 6-27674-46-0-1 | 6-32668-00-0-1 | 9-39848-00-0-1 | | | | |
| Veka Softline AD | 103.100 | 101.086 | 102.196 | 9.0 | 20/0° | 6-27674-46-0-1 | 6-32668-00-0-1 | 9-39848-00-0-1 | | | | |
| Veka Softline MD | 103.117 | 101.098 | | 9.0 | 20/0° | 6-27674-46-0-1 | 6-32668-00-0-1 | 9-39848-00-0-1 | | | | |
| Veka Topline AD | 103.200 | 101.200 | 102.206 | 13.0 | 20/0° | 6-31067-05-0-1 | 6-32668-00-0-1 | 9-42586-00-0-1 | | | | |
| Veka Topline MD | 103.220 | 101.220 | 102.226 | 13.0 | 20/0° | 6-27831-06-0-1 | 6-32668-00-0-1 | 9-42586-00-0-1 | | | | |
| VIVA-Plast | | | | 13.0 | 20/0° | 6-27831-06-0-1 | 6-32668-00-0-1 | 9-42586-00-0-1 | | | | |
| Weltplast | 552000 | 550000 | 562000 | 9.0 | -/0° | 6-27674-60-0-1 | 6-32668-00-0-1 | | | | | |
| Winsa | 1102 | 1101 | 1161 | 13.0 | 20/0° | 6-27831-53-0-1 | 6-32668-00-0-1 | | | | | |
| Wymar 2000 | P 2204 | P 2008 | | 13.0 | 20/0° | 6-27831-11-0-1 | 6-32668-00-0-1 | | | | | |
| Wymar 2500 | | | | 13.0 | 20/0° | 6-27831-42-0-1 | 6-32668-00-0-1 | 9-42660-00-0-1 | | | | |
| Wymar 3000 | 3200 | 3000 | 3300 | 13.0 | 20/10° | 6-27831-45-0-1 | 6-32668-00-0-1 | 9-41746-00-0-1 | | | | |

UNI-JET hardware system – strikers, shoot bolts and packers

for 2-sash windows and balcony-doors with dummy mullion – "standard version"



| PVC profile systems | Sash profile | Frame profile | Dummy mullion | Axis mm | Sash overlap mm/° | Striker frame PU = 100 | Striker dummy mullion PU = 100 | Shoot bolt top PU = 10 | Shoot bolt bottom PU = 10 | Striker top/bottom PU = 100 | Packer [1] PU = 100 | | |
|---------------------------|--------------|---------------|---------------|---------|-------------------|------------------------|--------------------------------|------------------------|---------------------------|-----------------------------|---------------------|--|--|
| Accord | 503002 | 503001 | 503228 | 9.0 | 19/0° | 9-34325-00-0-1 | 9-30146-01-0-1 | 6-24682-00-0-1 | 6-24681-00-0-1 | E-13144-00-0-1 | | | |
| Accord Contour 7.0 MD | A.FL 02 | A.RA 03 | A.ST 01 | 13.0 | 20/0° | 9-38620-00-0-1 | E-13534-12-0-1 | 6-22917-00-0-1 | 6-22916-00-0-1 | 6-29518-00-0-1 | | | |
| Alphacan Fersina Diplomat | ZOMI | ELMI | DUEB | 9.1 | 21/0° | 9-36886-00-0-1 | 9-30146-05-0-1 | 6-25170-00-0-1 | 6-25169-00-0-1 | 6-27837-00-0-1 | | | |
| Alphacan Fersina Master | ZOM 01 | ELA 02 | TAO 00 | 9.4 | 21.7/0° | 9-30146-07-0-1 | 9-30146-05-0-1 | 6-25416-00-0-1 | 6-25415-00-0-1 | 6-27837-00-0-1 | 9-30081-00-0-1 | | |
| Aluplast Ideal 2000 | 120022 | 120002 | 120204 | 13.0 | 20/5° | 9-34907-00-0-1 | E-13534-12-0-1 | 6-22917-00-0-1 | 6-22916-00-0-1 | 9-36227-00-0-1 | | | |
| Aluplast Ideal 4000 | 140025 | 140002 | 140066 | 13.0 | 20/0° | 9-34907-00-0-1 | E-13534-12-0-1 | 6-22917-00-0-1 | 6-22916-00-0-1 | 9-36227-00-0-1 | | | |
| Aluplast Ideal 5000 | 140020 | 140001 | 140250 | 13.0 | 20/0° | 9-34907-00-0-1 | E-13534-12-0-1 | 6-22917-00-0-1 | 6-22916-00-0-1 | 9-38635-00-0-1 | | | |
| Aluplast Signum 25 | 2539 | 2534 | 2550 | 13.0 | 20/0° | 9-35770-00-0-1 | E-13534-12-0-1 | 6-22917-00-0-1 | 6-22916-00-0-1 | 9-35774-00-0-1 | | | |
| Aluplast Signum 26 | 2610 | 2601 | 2630 | 13.0 | 20/0° | 9-34907-00-0-1 | E-13534-12-0-1 | 6-22917-00-0-1 | 6-22916-00-0-1 | 9-37907-00-0-1 | | | |
| Atrya (Tryba) E 58 | Z 74 | L 65 | T 32 | 9.0 | 20/5° | E-16069-00-0-1 | 9-43809-00-0-1 | 6-22917-00-0-1 | 6-22916-00-0-1 | E-16070-00-0-1 | | | |
| Atrya (Tryba) T 58 | AZ 76 | L 65 | | 13.0 | 20/5° | E-18949-00-0-1 | 9-43809-00-0-1 | 6-22917-00-0-1 | 6-22916-00-0-1 | E-18950-00-0-1 | | | |
| Atrya (Tryba) T 62 | BS 100 | NS 100 | MC 100 | 9.0 | 20/5° | E-16237-00-0-1 | E-16237-00-0-1 | 6-25170-00-0-1 | 6-25169-00-0-1 | E-14591-00-0-1 | | | |
| Brüggmann 81 | HF 410 | HF 431 | HF 438 | 9.0 | 20/0° | 9-32616-00-0-1 | 9-30735-00-0-1 | 6-26321-00-0-1 | 6-26322-00-0-1 | 8-00668-05-0-1 | 9-30082-00-0-1 | | |
| Brüggmann AD | HP 152 | HP 102 | HP 350 | 13.0 | 20/0° | 9-34907-00-0-1 | E-13534-12-0-1 | 6-22917-00-0-1 | 6-22916-00-0-1 | 9-36227-00-0-1 | | | |
| Brüggmann MD | HP 252 | HP 202 | HP 451 | 13.0 | 20/0° | 9-34907-00-0-1 | E-13534-12-0-1 | 6-22917-00-0-1 | 6-22916-00-0-1 | 9-36227-00-0-1 | | | |
| Deceuninck 1800 | P 1806 | P 1801 | P 400 | 8.7 | 21/0° | 9-36544-00-0-1 | E-13534-12-0-1 | 6-22917-00-0-1 | 6-22916-00-0-1 | 8-00668-16-0-1 | | | |
| Deceuninck Mondial | P 2020 | P 2000 | P 2040 | 13.0 | 21/0° | 9-35737-00-0-1 | E-13534-12-0-1 | 6-22917-00-0-1 | 6-22916-00-0-1 | 9-35741-00-0-1 | | | |
| Deceuninck Mondial | P 2105 | P 2100 | P 2045 | 13.0 | 21/0° | 9-35737-00-0-1 | E-13534-12-0-1 | 6-22917-00-0-1 | 6-22916-00-0-1 | 9-35741-00-0-1 | | | |
| Dimex Komfort | | | | 13.0 | 20/0° | 9-34907-00-0-1 | E-13534-12-0-1 | 6-22917-00-0-1 | 6-22916-00-0-1 | E-19222-00-0-1 | | | |
| Dimex Super | 7750 | | 8510 | 9.0 | 20/0° | 9-34202-00-0-1 | 9-30627-00-0-1 | 9-35847-00-*1 | 9-35848-00-*1 | 8-00668-20-0-1 | | | |
| Dongsan (Korea) | 1616 | 1604 | 1640 | 13.0 | 20/- | 9-33802-00-0-1 | E-13534-12-0-1 | 6-22917-00-0-1 | 6-22916-00-0-1 | 9-35251-10-0-1 | | | |
| Edil Oslo | P 1579 | P 1590 | P 1584 | 13.0 | 20/0° | 9-38307-00-0-1 | E-13534-12-0-1 | 6-22917-00-0-1 | 6-22916-00-0-1 | 6-28333-01-0-1 | | | |
| Edil Plastix | P 1472 | P 1470 | P 1180 | | | 9-30146-03-0-1 | 9-30146-03-0-1 | 8-00763-00-0-1 | 8-00762-00-0-1 | 8-00668-01-0-1 | 9-41625-00-0-1 | | |
| Edil Plastix | P 1576 | P 1580 | P 1684 | | | 9-30146-03-0-1 | 9-30146-03-0-1 | 6-26071-02-0-1 | 6-24387-02-0-1 | 8-00668-03-0-1 | 9-41625-00-0-1 | | |
| Egeprofil Türkei | | | | 9.0 | 21/5° | 9-33271-00-0-1 | E-13534-12-0-1 | 6-22917-00-0-1 | 6-22916-00-0-1 | 8-00668-11-0-1 | | | |
| Fapes | 82 | 81 | 85 | 9.0 | 22/0° | 9-39511-00-0-1 | E-13534-12-0-1 | 6-22917-00-0-1 | 6-22916-00-0-1 | 6-30053-00-0-1 | | | |
| Gealan S 3000 | 3090 | 3008 | 3080 | 13.0 | 20/0° | 9-35858-00-0-1 | E-13534-12-0-1 | 6-22917-00-0-1 | 6-22916-00-0-1 | 8-00668-19-0-1 | | | |
| Gealan S 3000 | 3090 | 3008 | 3301 | 13.0 | 20/0° | 9-35858-00-0-1 | 9-35858-00-0-1 | 6-24948-00-*1 | 6-24948-00-*1 | 8-00668-19-0-1 | | | |
| Gealan S 6000 | 6093 | 6008 | 6051 | 13.0 | 20/0° | 9-37885-00-0-1 | E-13534-12-0-1 | 6-22917-00-0-1 | 6-22916-00-0-1 | 9-37907-00-0-1 | | | |
| Gealan S 7000 IQ | 7093 | 7008 | 7302 | 13.0 | 20/0° | 9-35858-00-0-1 | E-13534-12-0-1 | 6-22917-00-0-1 | 6-22916-00-0-1 | 8-00668-19-0-1 | | | |
| Gealan S 7000 IQ | 7093 | 7008 | 7303 | 13.0 | 20/0° | 9-35858-00-0-1 | 9-35858-00-0-1 | 6-24948-00-*1 | 6-24948-00-*1 | 8-00668-19-0-1 | | | |
| Gealan S 8000 | 8066 | 8008 | 8080 | 13.0 | 20/0° | 9-35858-00-0-1 | E-13534-12-0-1 | 6-22917-00-0-1 | 6-22916-00-0-1 | 8-00668-19-0-1 | | | |
| Gromathic System AD 3100 | GM 3101 | GM 3108 | GM 3114 | 9.0 | 20/0° | 9-34202-00-0-1 | | 6-24682-00-0-1 | 6-24681-00-0-1 | 8-00668-10-0-1 | | | |
| Gromathic System MD 3000 | GM 3001 | GM 3008 | GM 3004 | 9.0 | 20/0° | 9-34202-00-0-1 | 9-34202-00-0-1 | 6-24387-00-0-1 | 6-24387-00-0-1 | 8-00668-20-0-1 | | | |
| Helmitin KS | 4-60115 | 4-60111 | 4-60124 | 12.3 | 20/0° | 9-35714-00-0-1 | 9-35714-00-0-1 | 8-00763-00-0-1 | 8-00762-00-0-1 | 9-35251-09-0-1 | | | |
| Helmitin KSL | 4-60185 | 4-60180 | 4-60201 | 12.3 | 20/0° | 9-35714-00-0-1 | E-13534-12-0-1 | 6-22917-00-0-1 | 6-22916-00-0-1 | 9-38552-00-0-1 | | | |
| Hocoplast H 120 | 120-86 | 100-68 | 100-42 | 9.0 | 20/5° | E-11968-00-0-1 | E-13534-12-0-1 | 6-22917-00-0-1 | 6-22916-00-0-1 | 8-00668-22-0-1 | | | |
| Inoutic AD | Z 10 | L 10 | SFZ 10 | 13.0 | 21/0° | 9-34492-00-0-1 | E-13534-12-0-1 | 6-22917-00-0-1 | 6-22916-00-0-1 | 9-38052-00-0-1 | 9-30081-00-0-1 | | |
| Inoutic MD | ZM 1 | LM 10 | SFM 1 | 9.0 | 21/0° | 9-31755-00-0-1 | E-13534-12-0-1 | 6-22917-00-0-1 | 6-22916-00-0-1 | 8-00668-17-0-1 | 9-41625-00-0-1 | | |
| Internorm | IF | LS | | 9.0 | 20/0° | 9-30146-01-0-1 | E-13534-12-0-1 | 6-22917-00-0-1 | 6-22916-00-0-1 | | | | |
| Intertec WD 70 (Greiner) | 140001 | 140020 | 140050 | 13.0 | 20/0° | 9-38634-00-0-1 | E-13534-12-0-1 | 6-22917-00-0-1 | 6-22916-00-0-1 | 9-38635-00-0-1 | | | |

UNI-JET hardware system – strikers, shoot bolts and packers

for 2-sash windows and balcony-doors with dummy mullion - "standard version"



| PVC profile systems | Sash profile | Frame profile | Dummy mullion | Axis mm | Sash overlap mm/° | Striker frame PU = 100 | Striker dummy mullion PU = 100 | Shoot bolt top PU = 10 | Shoot bolt bottom PU = 10 | Striker top/bottom PU = 100 | Packer [1] PU = 100 | | |
|----------------------------|--------------|---------------|---------------|---------|-------------------|------------------------|--------------------------------|------------------------|---------------------------|-----------------------------|---------------------|--|--|
| Ital Plastick | 07073ZE | 07073EL | 07073TC | 10.0 | 20/0° | 9-30146-04-0-1 | 9-30146-04-0-1 | 6-25416-00-0-1 | 6-25415-00-0-1 | 8-00668-04-0-1 | | | |
| LB-Profile PAD | AZ 2-3 | AL 1-3 | MSZ-10 | 13.0 | 20/0° | 9-34907-00-0-1 | E-13534-12-0-1 | 6-22917-00-0-1 | 6-22916-00-0-1 | 9-36227-00-0-1 | | | |
| Plastival PF 5900 | F 001 | F 010 | F 022 | 13.0 | 20/7° | E-18736-00-0-1 | E-18108-00-0-1 | 6-22917-00-0-1 | 6-22916-00-0-1 | E-18737-00-0-1 | | | |
| Plustec | FLR 70 | BLR 80C | ST 61 | 13.0 | 20/5° | 9-30146-01-0-1 | 9-30146-01-0-1 | 6-24682-00-0-1 | 6-24681-00-0-1 | 8-00668-08-0-1 | 9-30082-00-0-1 | | |
| Plustec 3K-System AD | FR 60 V | BR 66 | ST 61 | 13.0 | 20/5° | 9-37135-00-0-1 | 9-38319-00-0-1 | 6-26321-00-0-1 | 6-26322-00-0-1 | 9-37515-00-*1 | | | |
| Plustec 3K-System AD | FR 60 V | BR 66 | ST 44 | 13.0 | 20/5° | 9-37135-00-0-1 | E-13534-12-0-1 | 6-22917-00-0-1 | 6-22916-00-0-1 | 9-37505-00-0-1 | | | |
| Primo Serie 400 | P 2379 | P 2297 | P 1899 | 9.0 | 20/12° | 9-36878-00-0-1 | 9-36878-00-0-1 | 6-25416-00-0-1 | 6-25415-00-0-1 | 8-00668-17-0-1 | | | |
| Profine Dina (Spanien) | 1753 | 1750 | 1755 | 12.9 | 20/4° | 9-33802-00-0-1 | 8-00975-00-0-1 | 6-26071-01-0-1 | 6-24387-01-0-1 | 9-35251-10-0-1 | | | |
| Profine Eurodur 3S | 1411 | 1401 | 1440 | 13.0 | 20/4° | 9-33802-00-0-1 | 8-00975-00-0-1 | 6-26071-01-0-1 | 6-24387-01-0-1 | 9-35251-10-0-1 | | | |
| Profine Eurodur 3S | 1411 | 1401 | 1441 | 12.9 | 20/4° | 9-33802-00-0-1 | 8-00975-00-0-1 | 6-26071-01-0-1 | 6-24387-01-0-1 | 9-35251-10-0-1 | | | |
| Profine Eurodur 3S | 1411 | 1401 | SP 1108 | 12.9 | 20/4° | 9-33802-00-0-1 | 9-34451-00-0-1 | 6-26321-00-0-1 | 6-26322-00-0-1 | 6-26134-00-0-1 | | | |
| Profine Eurodur 3S | 1411 | 1401 | 1565 | 12.9 | 20/4° | 9-33802-00-0-1 | E-13534-12-0-1 | 6-22917-00-0-1 | 6-22916-00-0-1 | 9-35251-10-0-1 | | | |
| Profine EuroFutur Classic | 2411 | 2401 | 2441 | 13.0 | 20/4° | 9-33802-00-0-1 | 9-30748-05-0-1 | 6-22917-00-0-1 | 6-22916-00-0-1 | 9-35251-10-0-1 | | | |
| Profine EuroFutur Elegance | 111 | 101 | 141 | 13.0 | 20/4° | 9-33802-00-0-1 | 9-30748-05-0-1 | 6-22917-00-0-1 | 6-22916-00-0-1 | 9-35251-10-0-1 | | | |
| Profine Gold | 1463 | 1461 | 1440 | 12.9 | 20/4° | 9-35508-00-0-1 | 9-30146-11-0-1 | 6-26071-01-0-1 | 6-24387-01-0-1 | 9-35251-10-0-1 | | | |
| Profine Gold auswärts | 1482 | 1461 | 1441 | 12.9 | 20/4° | 9-35508-00-0-1 | 9-30146-11-0-1 | 6-26071-01-0-1 | 6-24387-01-0-1 | 9-35251-10-0-1 | | | |
| Profine KBE 58 | 318 | 306 | 734 | 9.0 | 20/4° | 9-31115-00-0-1 | E-13534-12-0-1 | 6-22917-00-0-1 | 6-22916-00-0-1 | 8-00668-16-0-1 | | | |
| Profine KBE 58 | 317 | 306 | 134 neu | 9.0 | 20/4° | 9-31115-00-0-1 | E-13534-12-0-1 | 6-22917-00-0-1 | 6-22916-00-0-1 | 8-00668-16-0-1 | | | |
| Profine KBE 58 | 113 | 100 | 133 | 9.0 | 20/4° | 9-33663-00-0-1 | E-13534-12-0-1 | 6-22917-00-0-1 | 6-22916-00-0-1 | 8-00668-04-0-1 | | | |
| Profine KBE 70 | 375 | 370 | 385 | 13.0 | 20/0° | 9-35508-00-0-1 | E-13534-12-0-1 | 6-22917-00-0-1 | 6-22916-00-0-1 | 9-35251-10-0-1 | | | |
| Profine Tritec | P 1472 | P 1320 | P 1659 | 8.0 | 20/0° | E-15321-00-0-1 | E-15321-00-0-1 | 6-26071-02-0-1 | 6-24387-02-0-1 | 9-30650-00-0-1 | | | |
| Profine Trocal 900 | 920600 | 910100 | 935100 | 9.0 | 20/0° | 9-30806-00-0-1 | 9-30806-00-0-1 | 6-24682-00-0-1 | 6-24681-00-0-1 | 8-00668-06-0-1 | 9-30084-00-0-1 | | |
| Profine Trocal Confort | 120400 | 111000 | 130900 | 13.0 | 20/0° | 9-37137-00-0-1 | E-13534-12-0-1 | 6-22917-00-0-1 | 6-22916-00-0-1 | 9-37363-00-0-1 | | | |
| Pural | P 005 | P 001 | SA/SI | 9.0 | 18/0° | 9-30146-11-0-1 | E-13534-12-0-1 | 6-22917-00-0-1 | 6-22916-00-0-1 | 8-00668-13-0-1 | | | |
| Ramplast Ecotherm | 302-01 | 301-01 | 304-01 | 9.0 | 20/0° | 9-31115-00-0-1 | E-13534-12-0-1 | 6-22917-00-0-1 | 6-22916-00-0-1 | 6-27092-00-0-1 | | | |
| Rehau S 711 | 551 020 | 551 150 | 551 050 | 9.0 | 20/0° | E-13685-00-0-1 | E-13685-00-0-1 | 6-26071-So-0-1 | 6-24387-So-0-1 | E-13678-00-0-1 | | | |
| Rehau S 730 | 541 010 | 541 060 | 541 100 | 13.0 | 20/0° | 9-35770-00-0-1 | E-13534-12-0-1 | 6-22917-00-0-1 | 6-22916-00-0-1 | 9-35774-00-0-1 | | | |
| Rehau S 780 | 634 153 | 634 133 | 632 913 | 9.0 | 18/0° | E-14339-00-0-1 | E-14339-00-0-1 | 9-35847-00-*1 | 9-35848-00-*1 | 8-00668-21-0-1 | | | |
| Salamander bluEvolution | 171 020 | 170 420 | 176 020 | 13.0 | 20/0° | 9-38218-00-0-1 | E-14339-00-0-1 | 6-22917-00-0-1 | 6-22916-00-0-1 | 9-36227-00-0-1 | | | |
| Salamander Design 2D | 211 025 | 210 020 | 216 020 | 13.0 | 20/0° | 9-38634-00-0-1 | E-13534-12-0-1 | 6-22917-00-0-1 | 6-22916-00-0-1 | 9-39613-00-0-1 | | | |
| Salamander Design 3D | 211 220 | 110 220 | | 13.0 | 20/R14 | 9-38634-00-0-1 | E-13534-12-0-1 | 6-22917-00-0-1 | 6-22916-00-0-1 | 9-39613-00-0-1 | | | |
| Salamander Design MD | 111 026 | 110 036 | 116 025 | 13.0 | 20/0° | 9-38634-00-0-1 | E-13534-12-0-1 | 6-22917-00-0-1 | 6-22916-00-0-1 | 9-39613-00-0-1 | | | |
| Salamander Streamline | 251 020 | 250 220 | | 13.0 | 20/0° | 9-38634-00-0-1 | E-13534-12-0-1 | 6-22917-00-0-1 | 6-22916-00-0-1 | 9-39613-00-0-1 | | | |
| Salamander Universal | 201 020 | 200 020 | 206 030 | 9.0 | 20/0° | 9-31750-00-0-1 | 9-30146-01-0-1 | 6-24682-00-0-1 | 6-24681-00-0-1 | 6-28333-00-0-1 | | | |
| Salamander Universal | 201 020 | 200 020 | 206 022 | 9.0 | 20/0° | 9-31750-00-0-1 | E-13534-12-0-1 | 6-22917-00-0-1 | 6-22916-00-0-1 | 8-00668-23-0-1 | | | |
| Schüco AS | 700100 | 702100 | 718400 | 8.2 | 20/5° | 9-30627-00-0-1 | 9-30627-00-0-1 | 9-35847-00-*1 | 9-35848-00-*1 | 8-00668-10-0-1 | | | |
| Schüco Corona AS 60 | 8105 | 8101 | 8131 | 13.0 | 20/0° | 9-38218-00-0-1 | E-13534-12-0-1 | 6-22917-00-0-1 | 6-22916-00-0-1 | 9-36227-00-0-1 | | | |
| Schüco Corona CT 70 | 8586 | 8597 | 8574 | 13.0 | 20/0° | 9-38218-00-0-1 | E-13534-12-0-1 | 6-22917-00-0-1 | 6-22916-00-0-1 | 9-36227-00-0-1 | | | |
| Schüco Corona MD 60 | 8121 | 8116 | 8137 | 13.0 | 20/0° | 9-38218-00-0-1 | E-13534-12-0-1 | 6-22917-00-0-1 | 6-22916-00-0-1 | 9-36227-00-0-1 | | | |
| Schüco M+A | 717903 | 726703 | 718303 | 8.2 | 20/5° | 9-30627-00-0-1 | 9-30748-03-0-1 | 9-35847-00-*1 | 9-35848-00-*1 | 8-00668-20-0-1 | | | |
| Schüco MF | 717800 | 717600 | 718200 | 9.0 | 20/5° | 9-30627-00-0-1 | 9-30748-03-0-1 | 9-35847-00-*1 | 9-35848-00-*1 | 8-00668-20-0-1 | | | |

UNI-JET hardware system – strikers, shoot bolts and packers

for 2-sash windows and balcony-doors with dummy mullion – "standard version"



| PVC profile systems | Sash profile | Frame profile | Dummy mullion | Axis mm | Sash overlap mm/° | Striker frame PU = 100 | Striker dummy mullion PU = 100 | Shoot bolt top PU = 10 | Shoot bolt bottom PU = 10 | Striker top/bottom PU = 100 | Packer [1] PU = 100 | | |
|---------------------|--------------|---------------|---------------|---------|-------------------|------------------------|--------------------------------|------------------------|---------------------------|-----------------------------|---------------------|--|--|
| Soprofen Serie T 62 | BM 100 | NS 100 | ME 200 | 9.0 | 18/0° | E-16237-00-0-1 | E-13534-12-0-1 | 6-22917-00-0-1 | 6-22916-00-0-1 | E-14591-00-0-1 | 9-30084-00-0-1 | | |
| Spectus Windows | SW 09 | SW 05 | SW 51 | 9.0 | 20/15° | 9-30146-05-0-1 | 9-30146-05-0-1 | 6-25416-00-0-1 | 6-25415-00-0-1 | E-13035-00-0-1 | | | |
| Technoplast | | | | 13.0 | 20/0° | 9-34542-00-0-1 | 9-34542-00-0-1 | 6-22917-00-0-1 | 6-22916-00-0-1 | E-11575-00-0-1 | | | |
| Veka Softline AD | 103.197 | 101.086 | 102.196 | 13.0 | 20/0° | 9-42972-00-0-1 | E-13534-12-0-1 | 6-22917-00-0-1 | 6-22916-00-0-1 | 9-36227-00-0-1 | | | |
| Veka Softline AD | 103.102 | 101.085 | 102.118 | 9.0 | 20/0° | 9-34202-00-0-1 | E-13534-12-0-1 | 6-22917-00-0-1 | 6-22916-00-0-1 | 6-27092-00-0-1 | | | |
| Veka Softline MD | 103.116 | 101.098 | 102.106 | 9.0 | 20/0° | 9-34202-00-0-1 | 9-30146-11-0-1 | 6-26071-01-0-1 | 6-24387-01-0-1 | 6-27092-00-0-1 | | | |
| Veka Topline AD | 103.200 | 101.200 | 102.206 | 13.0 | 20/0° | 9-42972-00-0-1 | E-13534-12-0-1 | 6-22917-00-0-1 | 6-22916-00-0-1 | 9-36227-00-0-1 | | | |
| Veka Topline MD | 103.220 | 101.220 | 102.226 | 13.0 | 20/0° | 9-42972-00-0-1 | E-13534-12-0-1 | 6-22917-00-0-1 | 6-22916-00-0-1 | 9-36227-00-0-1 | | | |
| Weltplast | 552000 | 550000 | 562000 | 9.0 | -/0° | 9-41364-00-0-1 | E-13534-12-0-1 | 6-22917-00-0-1 | 6-22916-00-0-1 | 9-41456-00-0-1 | | | |
| Wymar 2500 | | | | 13.0 | 20/0° | E-19550-32-0-1 | E-13534-12-0-1 | 6-22917-00-0-1 | 6-22916-00-0-1 | E-19551-32-0-1 | | | |
| Wymar 3000 | 3200 | 3000 | 3300 | 13.0 | 20/10° | 9-41839-00-0-1 | E-13534-12-0-1 | 6-22917-00-0-1 | 6-22916-00-0-1 | E-19551-16-0-1 | | | |

[1] = Packers for Sec mushroom cam strikers, INV strikers, Sec TF strikers, bullet catches and tilt stays.



Drilling jigs and templates for UNI-JET D, UNI-JET S-CONCEALED

| Application | Description | PU | Order no. |
|---|--|----------------|----------------|
| Assembly of stay bearing and pivot rest | UNI-JET D Tilt&Turn hardware | | |
| | UNI-JET D Turn-Only hardware | | |
| | Drilling jig for drill-in hinge 6-27231-00-0-1 | | |
| | 9 mm axis | 1 | 6-27410-09-0-0 |
| | 12,9 mm axis | 1 | 6-27410-13-0-0 |
| | Drilling jig for pivot rest and stay bearing, drilling pin Ø 3 mm | | |
| | Standard version | 1 | 6-27412-04-0-0 |
| | Special versions for profile systems | 1 | 6-27412-03-0-0 |
| | | 1 | 6-27412-02-0-0 |
| | | 1 | 6-27412-01-0-0 |
| | Drilling jig for pivot rest and stay bearing, drilling pins Ø 3 and 6 mm | | |
| | Standard version | 1 | 6-27412-54-0-0 |
| | Special versions for profile systems | 1 | 6-27412-53-0-0 |
| | | 1 | 6-27412-52-0-0 |
| | | 1 | 6-27412-51-0-0 |
| | Drilling jig for stay bearing of pitched windows hardware, drilling pin Ø 3 mm | | |
| | Standard version | 1 | 6-32333-04-0-0 |
| | Special versions for profile systems | 1 | 6-32333-03-0-0 |
| | | 1 | 6-32333-02-0-0 |
| | | 1 | 6-32333-01-0-0 |
| Drilling jig for stay bearing of pitched windows hardware, drilling pins Ø 3 and 6 mm | | | |
| Standard version | 1 | 6-32333-54-0-0 | |
| Special versions for profile systems | 1 | 6-32333-53-0-0 | |
| | 1 | 6-32333-52-0-0 | |
| | 1 | 6-32333-51-0-0 | |
| Assembly of strikers | 1 set of positioning jigs for strikers, fixed handle height 55 mm striker length | 1 | 6-32644-00-0-0 |
| | 1 set of positioning jigs for strikers, variable handle height 55 mm striker length | 1 | 6-32645-00-0-0 |
| Sec strikers | Drilling jig for striker 9-33141-**-0-1 for UNI-JET central locking RC 2 with shoot bolt | 1 | 6-28175-00-0-0 |
| | Drilling jig for striker insert for 9-33141-**-0-1 for UNI-JET central locking RC 2 with shoot bolt | 1 | 6-27975-00-0-1 |
| Assembly of turn handle | Drilling jig for turn handle, gear 15 mm backset | 1 | 6-22459-00-0-0 |
| | Stop for 6-22459 | 1 | 9-27406-00-0-1 |
| | Drilling jig with stop for PC gear 25BS up to 50BS | 1 | 6-25156-00-0-9 |
| Arched windows | Drilling jig for stay bearing of arched windows hardware, drilling pin Ø 3 mm | 1 | 6-27412-04-0-0 |
| | Drilling jig for centre closure, screw-on version K-14239-**-0-* | 1 | G-13154-12-0-0 |
| Centre closure | Positioning jig for 2-sash windows and balcony-doors with symmetrical division | 1 | 6-32963-00-0-1 |

| Application | Description | PU | Article No. |
|--|--|----|----------------|
| Assembly of stay bearing and pivot rest | UNI-JET S-CONCEALED Tilt&Turn hardware | | |
| | UNI-JET S-CONCEALED Turn-Only hardware | | |
| Assembly of strikers | Drilling jig for stay bearing and pivot rest | 1 | 6-34098-00-0-0 |
| | 1 set of positioning jigs for strikers, fixed handle height 55 mm striker length | 1 | 6-32644-00-0-0 |
| | 1 set of positioning jigs for strikers, variable handle height 55 mm striker length | 1 | 6-32645-00-0-0 |
| Assembly of turn handle | Drilling jig for turn handle, gear 15 mm backset | 1 | 6-22459-00-0-0 |
| | Stop for 6-22459 | 1 | 9-27406-00-0-1 |
| | Drilling jig with stop for PC gear 25BS up to 50BS | 1 | 6-25156-00-0-9 |
| | Drilling jig for centre closure, screw-on version K-14239-**-0-* | 1 | G-13154-12-0-0 |
| Centre closure | Positioning jig for 2-sash windows and balcony-doors with symmetrical division | 1 | 6-32963-00-0-1 |

Adjustment tools

| Application | Description | PU | Order no. | |
|--|---|---------------|----------------|----------------|
| Stay arm, drill-in hinge, rebate corner hinge, pivot rest, locking cams | Bit-wrench | 1 | H-00866-00-0-0 | |
| | Bit holder with flexible shaft | 1 | H-00757-00-0-0 | |
| | Bits for bit-wrench and bit-holder | | | |
| | Size | Length mm | | |
| | Torx 15 | 15 | 1 | H-00822-15-0-0 |
| | Torx 15 | 50 | 1 | H-00819-15-0-0 |
| | Torx 15 | 75 | 1 | H-00820-15-0-0 |
| | Torx wrench | Size: Torx 15 | 1 | H-00809-15-0-0 |
| | L-shaped Torx wrench | Size: Torx 15 | 1 | 9-43631-00-0-6 |
| | Allen key | Size 4 | 1 | 9-43631-64-0-6 |
| | Adjustment tool, complete with bit-wrench and bits | | 1 | 6-34876-00-0-1 |



Contents

This catalogue section contains miscellaneous hardware for Tilt&Turn, Tilt-First, Turn-Only and Tilt-Only PVC windows according to the latest state of the art.

The following information will make you familiar with the catalogue structure which is conceived in a way to facilitate your daily work.

Catalogue structure

This catalogue section is structured as follows:

- illustration of the hardware
- single parts

The catalogue section is structured to meet the requirements of the customers.

Single parts

The ordering part contains packing units including their contents, all single parts and accessories as well as tools and auxiliary means. Information on application, colour and packing units make ordering easy.

Order numbers

The order number gives information about

- the product,
- its size,
- its application – e.g. DIN LH or DIN RH – and
- its colour.

Example

Article no.

6-23470-10-0-1

6-23470- - - order number
- -10- - size
- - -L- left handed assembly (handle on the left)
- - -R- right handed assembly (handle on the right)
- - -0- non-handed
- - - -1 F 1/EV 1, natural (silver) colour, ferGUard*silver
- - - -2 F 2/EV 2, nickel silver / champaign colour
- - - -3 F 3, brass colour or gold colour
- - - -4 UC 3, medium bronze colour or medium brown
- - - -A F 4, bronze colour
- - - -C titanium colour
- - - -5 UC 5, dark bronze colour or dark brown
(RAL 8022)
- - - -6 onyx-matt or black (RAL 9005)
- - - -7 white (RAL 9016)
- - - -7T white (RAL 9010)
- - - -8 stainless steel or stainless steel colour
- - - -* various finishes available

If the last digit of the order number is an asterisk

*

various colours are available which can be taken from the price list.

Prices

GU gross price list

The prices are listed by ascending order numbers.

Additional sales documents

Apart from the order catalogue, the following documents on miscellaneous hardware are available:

- Brochures giving information about product features and benefits
- Installation drawings with hardware installation instructions



Hardware range

The GU miscellaneous hardware range comprises:

- friction stays for PVC windows
- hardware for box-type PVC windows

Application

EGO-B, EGO-FL window friction stays

EGO-B and EGO-FL window friction stays offer additional safety for the actuation of Tilt&Turn and Turn-Only sashes.

These friction stay types are a single-rod telescopic construction. Their braking effect prevents sashes from slamming open or closed, the opening angle is restricted to 90°.

There is a universal turn blocker for all windows, whereas profile-specific turn blockers are available for PVC or aluminium sashes.

Versions:

- EGO-B with sash brake
- EGO-FL with freewheel sash opening up to 85° and freewheel closing

ATLAS coupling for box-type windows

The ATLAS coupling is used for Tilt-Only windows in box-type design. It enables the joint opening of outer and inner sash through a fanlight opener mounted at the inside.

Standard surface sealing of GU miscellaneous hardware: ferGUard*silver

The hardware components are made of high-quality steel, zinc die cast and aluminium alloys.

All miscellaneous hardware products come with ferGUard*silver surface sealing.

Abbreviations

| | |
|-----|--------------------|
| PU | packing unit |
| SH | sash height |
| SRH | sash rebate height |
| SRW | sash rebate width |
| ST | sash thickness |
| SW | sash width |



EGO-B, EGO-FL window friction stays

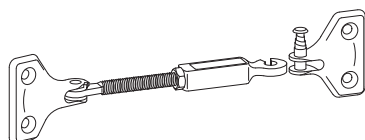
EGO-B, EGO-FL window friction stays

| Description | SRW, mm | PU | Order no. |
|--|-----------------|----------|----------------------------------|
| EGO-B window friction stay | | | |
| with sash brake from 5° and 90° opening restrictor, for Tilt&Turn and Turn-Only sashes | 500-750 751- | 20 20 | 6-28835-01-0-1 6-28835-00-0-1 |
| EGO-FL window friction stay | | | |
| 90° opening restrictor, with freewheel sash opening up to 85° and freewheel sash closing, for Tilt&Turn and Turn-Only sashes | 500-750 751- | 20 20 | 6-28730-01-0-1 6-28730-00-0-1 |

Accessories sets

EGO-B, EGO-FL window friction stays

| Description | PU | Order no. |
|---|----|----------------|
| Profile systems | | |
| Aluplast Ideal Aluplast Ideal 5000 HAPA Hocoplast H 120 Intertec Greiner Salamander Universal Schüco M + A Schüco MF | 20 | K-14681-00-0-1 |
| Profile systems | | |
| Actual A 400 Aluplast Ideal 2000 Brüggmann Serie 81 Osmopane Comtess S Home KBE MD Knipping LB. Profile PAD and PMD Plus Plan 3K AD Rehau S 730 Trocal 900 VEKA Softline AD and MD | 20 | K-14682-00-0-1 |
| Profile systems | | |
| EURODUR 3S Gealan S 3000 Helmitin KS and KSL KBE AD Roplasto 6001 Inoutic AD, MD and MD 100 | 20 | K-14683-00-0-1 |
| Profile systems | | |
| Deceuninck 2000 Schüco AS Schock Thermassiv | 20 | K-14837-00-0-1 |
| Profile system | | |
| Osmopane Compress F | 20 | K-14842-00-0-1 |



ATLAS-B coupling for box-type windows

Hardware for box-type windows

| Description | PU | Order no. |
|--|-----------|--------------|
| ATLAS-B coupling for box-type windows | | |
| Sash distance, mm | | |
| Tilt-Only | Turn-Only | Screw length |
| 95-120 | 65-100 | 70 |
| 100-125 | 75-105 | 80 |
| 120-145 | 100-130 | 100 |
| 140-170 | 125-160 | 120 |
| | | 10 |
| | | 10 |
| | | 10 |
| | | 10 |
| | | 10 |
| | | 10 |

Thermally-broken thresholds

Representation of the isotherms with thermally-broken aluminium thresholds



The importance of thermal break

Thermally-broken thresholds considerably reduce the heat flow at the bottom of door elements.

With cold outside temperatures this means:

Thermal break has a positive effect on the surface temperature of the threshold at the inside. Compared to thresholds without thermal break, the surface temperature is noticeably higher.

The result with a normal indoor climate:

With a normal indoor climate (interior temperature +20 °C, relative air humidity 50 %), condensation forms with a surface temperature of approximately +9.2 °C (dew point temperature). The thermal break of GU thresholds (provided they are professionally installed using appropriate insulating material in the peripheral area) ensures that with normal winter temperatures down to -10 °C the surface temperature is clearly higher than +9.2 °C. The formation of condensate is prevented, the bottom area of the door will not suffer from moisture, a sound building structure will be protected and preserved.

What are isotherms?

Isotherms show the line of equal temperature values inside a structural component, in the area of its connection to the masonry and in adjoining wall.

The position of the so-called 10-degree-isotherm is of special importance because it is near the dew point (+9.2 °C).

Neutral tests

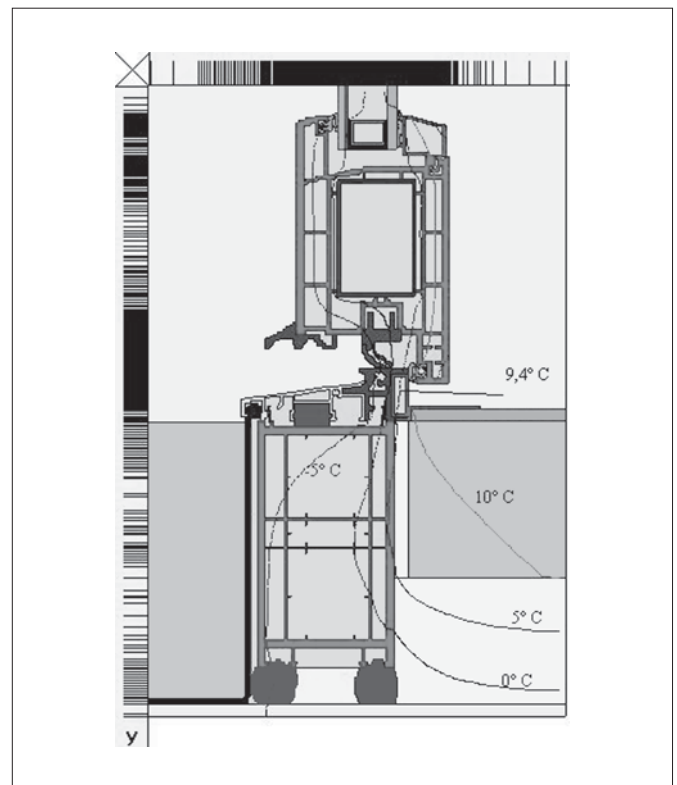
The isotherms of GU sample elements expertly connected to the masonry were tested by neutral testing institutes.

Test conditions

Inside temperature +20 °C
 Outside temperature -10 °C
 Ancillary conditions in accordance with DIN 4108
 "Heat insulation in building construction"

The results [1]

In all areas the position of the 10-degree-isotherm is favourable; the surface temperatures at the inside of thermally-broken thresholds are well above the dew point.



HTS 9.2 thermally-broken threshold with HVA extension profile – 100 mm

| Parameters | Values [1] |
|--------------------------|------------|
| Outside temperature | -10 °C |
| Inside temperature | +20 °C |
| Ψ (to DIN/EN ISO 1077-2) | 0.065 W/mK |

Ψ = psi

Effect on the U-value of a door

The effect of a thermally-broken and expertly installed threshold on the U-value of a door element is neglectable, as the total heat flow at the bottom of the door is too small.

Calculation example

| | | |
|----------------------|------------|---------------------------------------|
| Door element | U = | 1.70 W/m²K |
| Bottom area of door | Ψ = | 0.065 W/m²K (psi to EN ISO 1077-2) |
| Threshold | Length = | 1.1 m |
| Total element | U = | 1.77 W/m²K |

[1] Details are available on request.

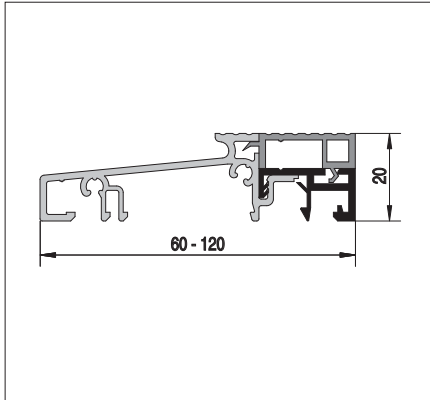
Aluminium thresholds

The complete range of balcony-doors and house entrance doors



GU system threshold

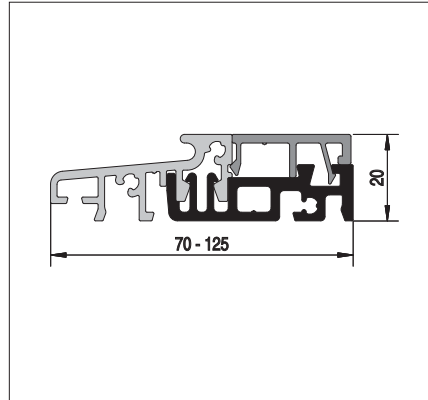
for balcony-doors and house entrance doors



New construction and renovation

DKS thresholds

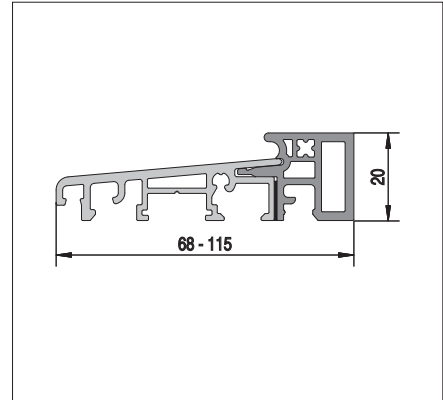
for balcony-doors and house entrance doors



New construction and renovation

HTS thresholds

for house entrance doors



New construction and renovation

Features and benefits

- With a height of 20 mm suitable for barrier-free construction in compliance with DIN 18040
- Threshold depths varying from 60 to 120 mm allow for optimum connection to the particular structure
- Suitable for Tilt&Turn and Turn-Only balcony-doors as well as for house entrance doors
- Compatible with GU strikers and other customary strikers
- Comfortable threshold-to-frame and threshold-to-mullion connectors for practical, efficient installation.

Features and benefits

- With a height of 20 mm suitable for barrier-free construction in compliance with DIN 18040
- Threshold depths varying from 70 to 125 mm allow for optimum connection to the particular structure
- Suitable for Tilt&Turn and Turn-Only balcony-doors as well as for house entrance doors
- Compatible with GU strikers and other customary strikers
- Comfortable threshold-to-frame and threshold-to-mullion connectors.

Features and benefits

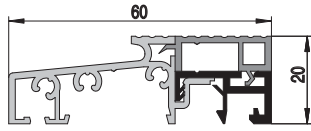
- With a height of 20 mm suitable for barrier-free construction in compliance with DIN 18040
- Threshold depths varying from 68 to 115 mm allow for optimum connection to the particular structure
- Suitable for house entrance doors
- Comfortable threshold-to-frame connectors and threshold-to-mullion connectors

GU system threshold

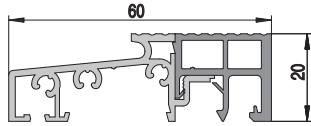
Aluplast profile system



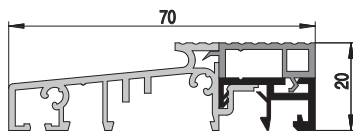
D



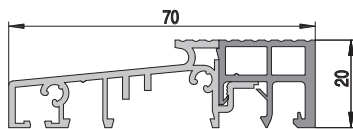
GU system threshold 6-34987-58-0-1



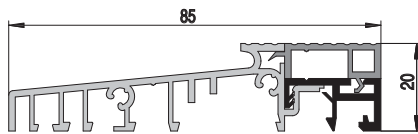
GU system threshold 6-35103-58-0-1



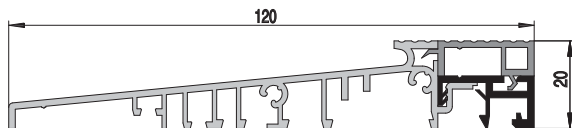
GU system threshold 6-35104-58-0-1



GU system threshold 6-35107-58-0-1



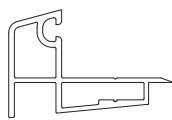
GU system threshold 6-35105-58-0-1



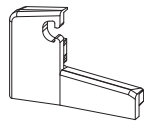
GU system threshold 6-35106-58-0-1

GU system threshold for Aluplast profile system

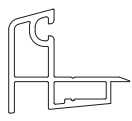
| PG | Description | Dim mm | Colour | PU | Order no. |
|-----|---|----------|----------|----------|----------------|
| YPS | GU system threshold Aluplast Ideal 2000 5800 mm stock length | 60 x 20 | EV1/grey | 29 m | 6-34987-58-0-1 |
| YPS | GU system threshold Aluplast Ideal 2000 stock length 5800 mm mm, entrance door | 60 x 20 | EV1/grey | 29 m | 6-35103-58-0-1 |
| YPS | GU system threshold Aluplast Ideal 4000/5000 5800 mm stock length | 70 x 20 | EV1/grey | 29 m | 6-35104-58-0-1 |
| YPS | GU system threshold Aluplast Ideal 4000/5000 stock length 5800 mm mm, entrance door | 70 x 20 | EV1/grey | 29 m | 6-35107-58-0-1 |
| YPS | GU system threshold Aluplast Ideal 6000/7000/8000 5800 mm stock length | 85 x 20 | EV1/grey | 29 m | 6-35105-58-0-1 |
| YPS | GU system threshold ALUPLAST special systems 5800 mm stock length | 120 x 20 | EV1/grey | 29 m | 6-35106-58-0-1 |
| YPW | Attachment profile Aluplast Ideal 4000 - 8000 5800 mm stock length | 43 x 28 | EV 1 | 29 m | 9-45608-58-0-1 |
| YPW | Attachment profile Aluplast Ideal 2000 5800 mm stock length | 32 x 27 | EV 1 | 29 m | 9-45609-58-0-1 |
| YPW | End caps for attachment profile Aluplast Ideal 2000 | 32 x 27 | grey | 25 pairs | 9-45596-00-0-1 |
| YPW | End caps for attachment profile Aluplast Ideal 4000 - 8000 | 43 x 28 | grey | 25 pairs | 9-45638-00-0-1 |



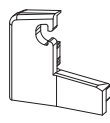
Attachment profile for outward-opening doors 9-45608-58-0-1



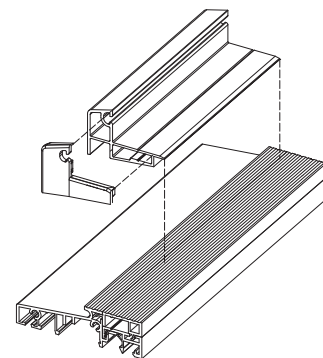
End caps 9-45638-00-0-1



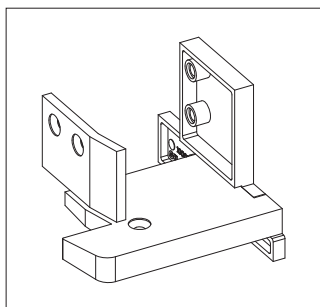
Attachment profile for outward-opening doors 9-45609-58-0-1



End caps 9-45596-00-0-1



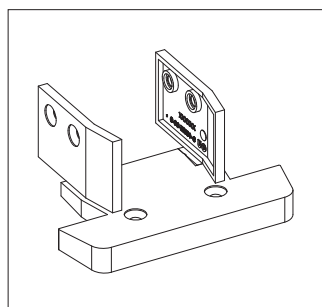
Mounting of attachment profile for outward opening doors with end caps



Threshold-to-frame connector

Threshold-to-frame connectors – Aluplast

| PG | System / Frame profiles | Dim mm | Colour | PU | Order no. |
|-----|--------------------------|----------|--------|----------|----------------|
| YPH | Aluplast Ideal 2000 | | | | |
| | 120002/120007 | 60 x 70 | grey | 25 pairs | 6-35109-00-0-1 |
| | | 60 x 80 | grey | 25 pairs | 6-35110-00-0-1 |
| YPH | Aluplast Ideal 4000 | | | | |
| | 140081 | 70 x 100 | grey | 10 pairs | 6-35348-01-0-1 |
| YPH | Aluplast Ideal 4000/5000 | | | | |
| | 140008 | 70 x 70 | grey | 10 pairs | 6-35113-00-0-1 |
| | 140002/140007/150002 | 70 x 70 | grey | 25 pairs | 6-35114-00-0-1 |
| | 140003/150003 | 70 x 80 | grey | 25 pairs | 6-35115-00-0-1 |
| YPH | Aluplast Ideal 5000 | | | | |
| | 150004 | 70 x 100 | grey | 10 pairs | 6-35134-02-0-1 |
| YPH | Aluplast Ideal 6000/7000 | | | | |
| | 160003/170005 | 80 x 80 | grey | 10 pairs | 6-35123-00-0-1 |
| | | 80 x 70 | grey | 10 pairs | 6-35124-00-0-1 |
| YPH | Aluplast Ideal 8000 | | | | |
| | 080005 | 85 x 80 | grey | 10 pairs | 6-35122-00-0-1 |
| | 180003 | 85 x 80 | grey | 10 pairs | 6-35126-00-0-1 |
| YPH | Aluplast Ideal Monoblock | | | | |
| | 140053 | 120 x 64 | grey | 10 pairs | 6-35132-00-0-1 |
| | 140091 | 120 x 65 | grey | 10 pairs | 6-35133-00-0-1 |
| | 120088 | 120 x 65 | grey | 10 pairs | 6-35134-00-0-1 |



Threshold-to-mullion connector

Threshold-to-mullion connectors – Aluplast

| PG | System / Mullion profiles | Dim mm | Colour | PU | Order no. |
|-----|---------------------------|----------|--------|--------|----------------|
| YPP | Aluplast Ideal 2000/4000 | | | | |
| | 120041/140042 | 60 x 80 | grey | 10 pcs | 6-35111-00-0-1 |
| | | 60 x 100 | grey | 10 pcs | 6-35112-00-0-1 |
| YPP | Aluplast Ideal 4000/5000 | | | | |
| | 140047 | 70 x 84 | grey | 10 pcs | 6-35118-00-0-1 |
| | 140041/140044/ | | | | |
| | 150041/150044 | 70 x 84 | grey | 10 pcs | 6-35119-00-0-1 |
| | 140045/150043 | 70 x 104 | grey | 10 pcs | 6-35120-00-0-1 |
| YPP | Aluplast Ideal 6000/7000 | | | | |
| | 160043/170045 | 80 x 104 | grey | 10 pcs | 6-35125-00-0-1 |
| YPP | Aluplast Ideal 8000 | | | | |
| | 180044 | 85 x 104 | grey | 10 pcs | 6-35121-00-0-1 |
| | 180043 | 85 x 104 | grey | 10 pcs | 6-35128-00-0-1 |

Features and benefits

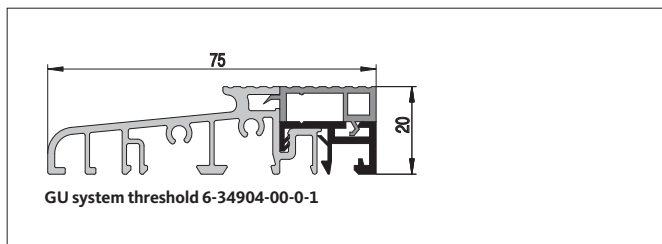
- Suitable for entrance doors and balcony-doors
- GU strikers are mounted flush with the tread surface
- Convenient threshold-to-frame / threshold-to-mullion connection
- Vertical extension by means of system-specific extension profiles
- Thermal break through PVC profiles
- No condensation on the inside
- Good thermal insulation
- Suitable for the needs of the disabled in compliance with DIN 18040

GU system threshold

Brüggmann profile system

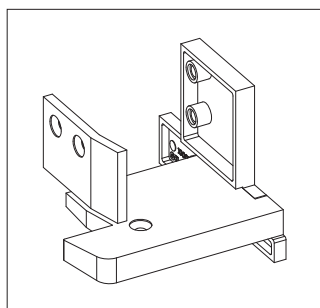


D

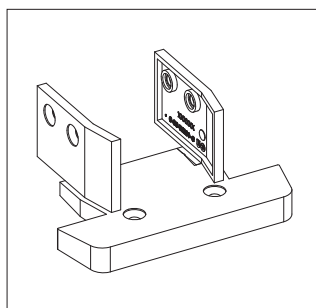


GU system threshold for Brüggmann profile system

| PG | Description | Dim mm | Colour | PU | Order no. |
|-----|--|---------|----------|------|----------------|
| YPS | GU system threshold Brüggmann 73 AD 6000 mm stock length | 75 x 20 | EV1/grey | 30 m | 6-34904-00-0-1 |



Threshold-to-frame connector



Threshold-to-mullion connector

Threshold-to-frame connectors – Brüggmann

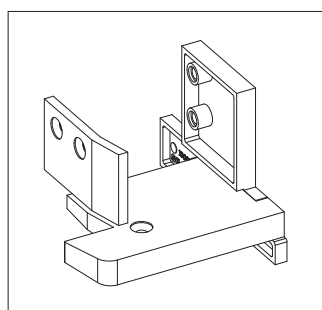
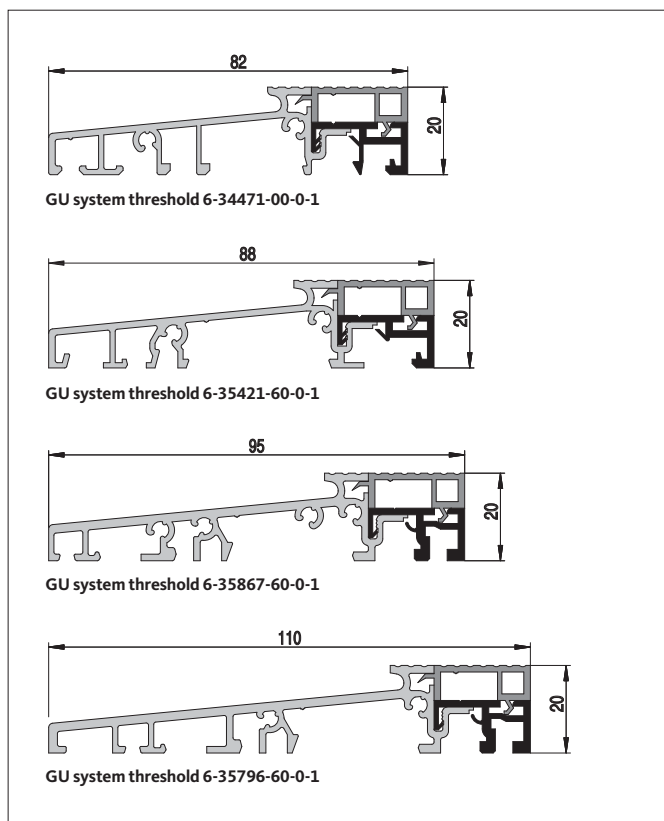
| PG | System / Frame profiles | Dim mm | Colour | PU | Order no. |
|-----|-------------------------|---------|--------|----------|----------------|
| YPH | Brüggmann AD 73 | | | | |
| | HP 122 | 73 x 68 | grey | 50 pairs | 6-34905-01-0H1 |
| | HP 122 | 73 x 68 | grey | 10 pairs | 6-34905-01-0-1 |
| | HP 123 | 73 x 78 | grey | 50 pairs | 6-34905-02-0H1 |
| | HP 123 | 73 x 78 | grey | 10 pairs | 6-34905-02-0-1 |
| | HP 104 | 73 x 90 | grey | 50 pairs | 6-34905-03-0H1 |
| | HP 104 | 73 x 90 | grey | 10 pairs | 6-34905-03-0-1 |

Threshold-to-mullion connectors – Brüggmann

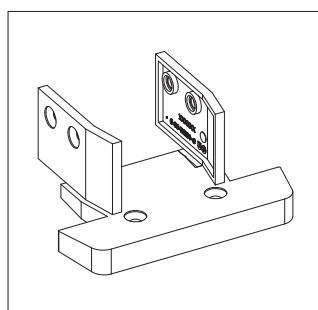
| PG | System / Mullion profiles | Dim mm | Colour | PU | Order no. |
|-----|---------------------------|----------|--------|--------|----------------|
| YPP | Brüggmann AD 73 | | | | |
| | HP 302 | 73 x 90 | grey | 25 pcs | 6-34906-01-0R1 |
| | HP 302 | 73 x 90 | grey | 10 pcs | 6-34906-01-0-1 |
| | HP 303 | 73 x 102 | grey | 25 pcs | 6-34906-02-0R1 |
| | HP 303 | 73 x 102 | grey | 10 pcs | 6-34906-02-0-1 |
| | HP 304 | 73 x 115 | grey | 25 pcs | 6-34906-03-0R1 |
| | HP 304 | 73 x 115 | grey | 10 pcs | 6-34906-03-0-1 |

Features and benefits

- Suitable for entrance doors and balcony-doors
- GU strikers are mounted flush with the tread surface
- Convenient threshold-to-frame / threshold-to-mullion connection
- Vertical extension by means of system-specific extension profiles
- Thermal break through PVC profiles
- No condensation on the inside
- Good thermal insulation
- Suitable for the needs of the disabled in compliance with DIN 18040



Threshold-to-frame connector



Threshold-to-mullion connector

Features and benefits

- Suitable for entrance doors and balcony-doors
- GU strikers are mounted flush with the tread surface
- Convenient threshold-to-frame / threshold-to-mullion connection
- Vertical extension by means of system-specific extension profiles
- Thermal break through PVC profiles
- No condensation on the inside
- Good thermal insulation
- Suitable for the needs of the disabled in compliance with DIN 18040

GU system threshold for Gealan profile system

| PG | Description | Dim mm | Colour | PU | Order no. |
|-----|---|----------|----------|------|----------------|
| YPS | GU system threshold Gealan 8000 6000 mm stock length | 82 x 20 | EV1/grey | 30 m | 6-34471-00-0-1 |
| YPS | GU system threshold Gealan 8000 IQ plus 6000 mm stock length | 88 x 20 | EV1/grey | 30 m | 6-35421-60-0-1 |
| YPS | GU system threshold Gealan 6000 mm stock length | 95 x 20 | EV1/grey | 30 m | 6-35867-60-0-1 |
| YPS | GU system threshold Gealan 6000 mm stock length | 110 x 20 | EV1/grey | 30 m | 6-35796-60-0-1 |

Threshold-to-frame connectors – Gealan

| PG | System / Frame profiles | Dim mm | Colour | PU | Order no. |
|------|-------------------------|---------------------|----------|----------------|----------------|
| YPH | Gealan 7000 | | | | |
| | 7008 | 74 x 74 | grey | 50 pairs | 6-35698-01-0H1 |
| | 7008 | 74 x 74 | grey | 10 pairs | 6-35698-01-0-1 |
| | 7011 | 74 x 81 | grey | 50 pairs | 6-35698-02-0H1 |
| | 7011 | 74 x 81 | grey | 10 pairs | 6-35698-02-0-1 |
| | 7014 | 74 x 104 | grey | 50 pairs | 6-35698-03-0H1 |
| YPH | 7014 | 74 x 104 | grey | 10 pairs | 6-35698-03-0-1 |
| | Gealan 7000 IQ plus | | | | |
| YPH | 5010 | 82.5 x 81 | grey | 50 pairs | 6-35423-12-0H1 |
| | 5010 | 82.5 x 81 | grey | 10 pairs | 6-35423-12-0-1 |
| YPH | Gealan 8000 | | | | |
| | 8001/8003/8005/8006 | 74 x 66 | grey | 50 pairs | 6-34486-01-0H1 |
| | 8001/8003/8005/8006 | 74 x 66 | grey | 10 pairs | 6-34486-01-0-1 |
| | 8010 | 74 x 74 | grey | 50 pairs | 6-34486-02-0H1 |
| | 8010 | 74 x 74 | grey | 10 pairs | 6-34486-02-0-1 |
| | 8012 | 74 x 81 | grey | 50 pairs | 6-34486-03-0H1 |
| | 8012 | 74 x 81 | grey | 10 pairs | 6-34486-03-0-1 |
| | 8014 | 74 x 96 | grey | 50 pairs | 6-34486-04-0H1 |
| | 8014 | 74 x 96 | grey | 10 pairs | 6-34486-04-0-1 |
| | YPH | Gealan 8000 IQ plus | | | |
| 5001 | | 82.5 x 66 | grey | 50 pairs | 6-35423-03-0H1 |
| 5001 | | 82.5 x 66 | grey | 10 pairs | 6-35423-03-0-1 |
| 5002 | | 82.5 x 81 | grey | 50 pairs | 6-35423-04-0H1 |
| 5002 | | 82.5 x 81 | grey | 10 pairs | 6-35423-04-0-1 |
| 5003 | | 82.5 x 66 | grey | 50 pairs | 6-35423-05-0H1 |
| 5003 | 82.5 x 66 | grey | 10 pairs | 6-35423-05-0-1 | |

Threshold-to-mullion connectors – Gealan

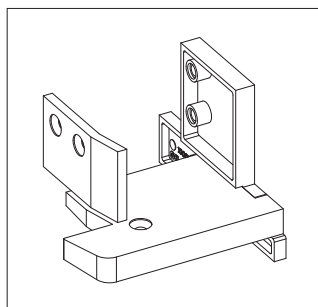
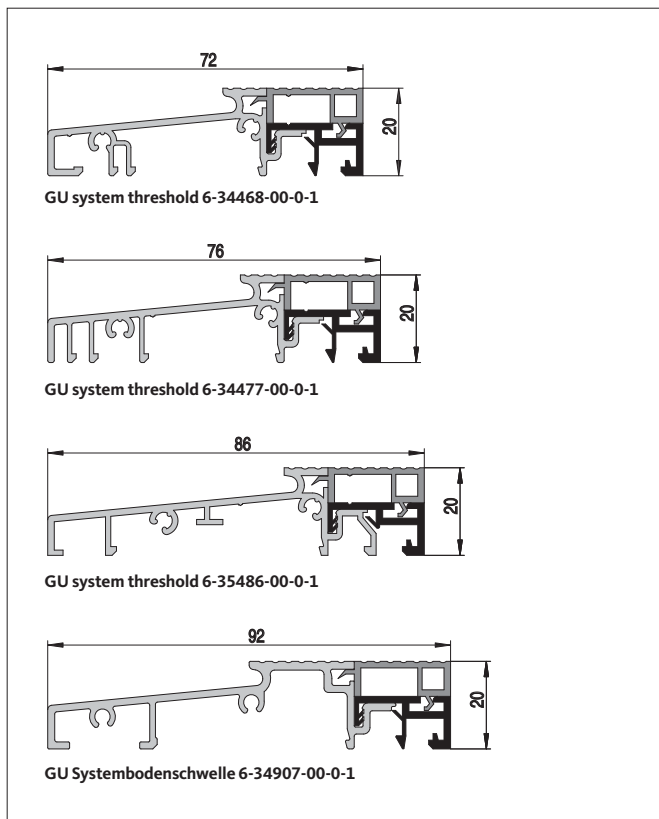
| PG | System / Mullion profiles | Dim mm | Colour | PU | Order no. |
|------|---------------------------|-----------|--------|----------------|----------------|
| YPP | Gealan 7000 | | | | |
| | 7037 | 74 x 94 | grey | 25 pcs | 6-35700-01-0R1 |
| | 7037 | 74 x 94 | grey | 10 pcs | 6-35700-01-0-1 |
| | 7043 | 74 x 115 | grey | 25 pcs | 6-35700-02-0R1 |
| YPP | 7043 | 74 x 115 | grey | 10 pcs | 6-35700-02-0-1 |
| | Gealan 8000 | | | | |
| | 8037/8038/8039 | 74 x 82 | grey | 25 pcs | 6-34487-01-0R1 |
| | 8037/8038/8039 | 74 x 82 | grey | 10 pcs | 6-34487-01-0-1 |
| | 8040 | 74 x 94 | grey | 25 pcs | 6-34487-02-0R1 |
| | 8040 | 74 x 94 | grey | 10 pcs | 6-34487-02-0-1 |
| | 8043 | 74 x 115 | grey | 25 pcs | 6-34487-03-0R1 |
| 8043 | 74 x 115 | grey | 10 pcs | 6-34487-03-0-1 | |
| YPP | Gealan 8000 IQ plus | | | | |
| | 5005 | 82.5 x 94 | grey | 25 pcs | 6-35424-02-0R1 |
| 5005 | 82.5 x 94 | grey | 10 pcs | 6-35424-02-0-1 | |

GU system threshold

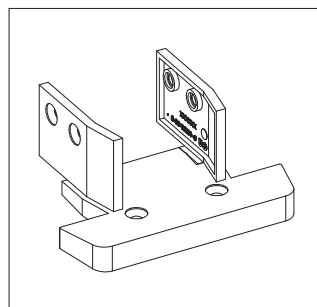
INOUTIC profile system



D



Threshold-to-frame connector



Threshold-to-mullion connector

Features and benefits

- Suitable for entrance doors and balcony-doors
- GU strikers are mounted flush with the tread surface
- Convenient threshold-to-frame / threshold-to-mullion connection
- Vertical extension by means of system-specific extension profiles
- Thermal break through PVC profiles
- No condensation on the inside
- Good thermal insulation
- Suitable for the needs of the disabled in compliance with DIN 18040

GU system threshold for INOUTIC profile system

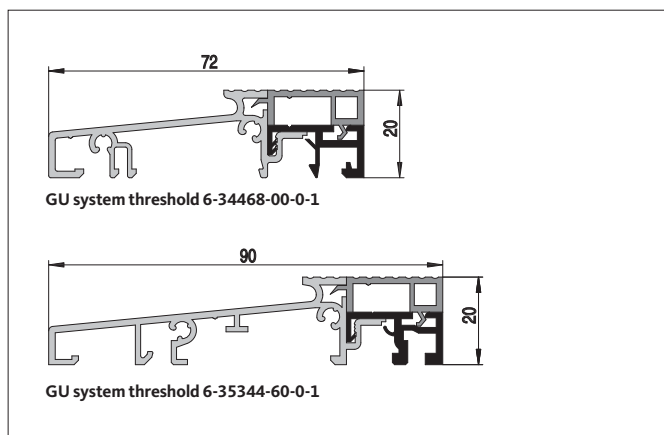
| PG | Description | Dim mm | Colour | PU | Order no. |
|-----|---|---------|----------|------|----------------|
| YPS | GU system threshold INOUTIC 70 AD 6000 mm stock length | 72 x 20 | EV1/grey | 30 m | 6-34468-00-0-1 |
| YPS | GU system threshold INOUTIC 76 AD 6000 mm stock length | 76 x 20 | EV1/grey | 30 m | 6-34477-00-0-1 |
| YPS | GU system threshold INOUTIC 86 6000 mm stock length | 86 x 20 | EV1/grey | 30 m | 6-35486-60-0-1 |
| YPS | GU system threshold INOUTIC Efforte 6000 mm stock length | 92 x 20 | EV1/grey | 30 m | 6-34907-00-0-1 |

Threshold-to-frame connectors – INOUTIC

| PG | System / Frame profiles | Dim mm | Colour | PU | Order no. |
|-----|-------------------------|---------|--------|----------|----------------|
| YPH | INOUTIC 71 AD Arcade | | | | |
| | LA 710 | 71 x 73 | grey | 50 pairs | 6-34488-01-0H1 |
| | LA 710 | 71 x 73 | grey | 10 pairs | 6-34488-01-0-1 |
| | LA 720 | 71 x 88 | grey | 50 pairs | 6-34488-02-0H1 |
| | LA 720 | 71 x 88 | grey | 10 pairs | 6-34488-02-0-1 |
| YPH | INOUTIC 71 AD Elite | | | | |
| | 7160 | 71 x 80 | grey | 50 pairs | 6-34547-02-0H1 |
| | 7160 | 71 x 80 | grey | 10 pairs | 6-34547-02-0-1 |
| | L 710 | 71 x 73 | grey | 50 pairs | 6-34547-01-0H1 |
| | L 710 | 71 x 73 | grey | 10 pairs | 6-34547-01-0-1 |
| | L 720 | 71 x 88 | grey | 50 pairs | 6-34547-03-0H1 |
| | L 720 | 71 x 88 | grey | 10 pairs | 6-34547-03-0-1 |
| YPH | INOUTIC 76 AD Prestige | | | | |
| | LD 176 | 76 x 71 | grey | 50 pairs | 6-34490-01-0H1 |
| | LD 176 | 76 x 71 | grey | 10 pairs | 6-34490-01-0-1 |
| | LD 276 | 76 x 85 | grey | 50 pairs | 6-34490-02-0H1 |
| | LD 276 | 76 x 85 | grey | 10 pairs | 6-34490-02-0-1 |
| YPH | INOUTIC 85 Efforte | | | | |
| | 170000 | 85 x 70 | grey | 50 pairs | 6-35423-08-0H1 |
| | 170000 | 85 x 70 | grey | 10 pairs | 6-35423-08-0-1 |
| | 170001 | 85 x 86 | grey | 50 pairs | 6-35423-04-0H1 |
| | 170001 | 85 x 86 | grey | 10 pairs | 6-35423-04-0-1 |

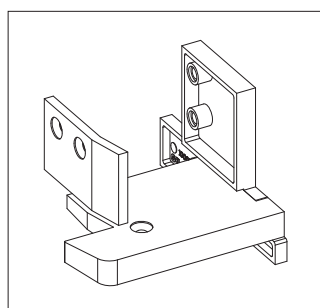
Threshold-to-mullion connectors – INOUTIC

| PG | System / Mullion profiles | Dim mm | Colour | PU | Order no. |
|-----|---------------------------|----------|--------|--------|----------------|
| YPP | INOUTIC 71 AD Arcade | | | | |
| | T 720 | 71 x 82 | grey | 25 pcs | 6-34489-01-0R1 |
| | T 720 | 71 x 82 | grey | 10 pcs | 6-34489-01-0-1 |
| | T 7150 | 71 x 120 | grey | 25 pcs | 6-34489-02-0R1 |
| | T 7150 | 71 x 120 | grey | 10 pcs | 6-34489-02-0-1 |
| YPP | INOUTIC 71 AD Elite | | | | |
| | T 720 | 71 x 82 | grey | 25 pcs | 6-34548-02-0R1 |
| | T 720 | 71 x 82 | grey | 10 pcs | 6-34548-02-0-1 |
| | T 7150 | 71 x 120 | grey | 25 pcs | 6-34548-04-0H1 |
| | T 7150 | 71 x 120 | grey | 10 pcs | 6-34548-04-0-1 |
| | T 750 | 71 x 105 | grey | 25 pcs | 6-34548-03-0H1 |
| | T 750 | 71 x 105 | grey | 10 pcs | 6-34548-03-0-1 |
| YPP | INOUTIC 76 AD Prestige | | | | |
| | T 276 | 76 x 95 | grey | 25 pcs | 6-34491-01-0R1 |
| | T 276 | 76 x 95 | grey | 10 pcs | 6-34491-01-0-1 |
| | T 376 | 76 x 112 | grey | 25 pcs | 6-34491-02-0R1 |
| | T 376 | 76 x 112 | grey | 10 pcs | 6-34491-02-0-1 |
| | T 576 | 76 x 126 | grey | 25 pcs | 6-35064-01-0R1 |
| | T 576 | 76 x 126 | grey | 10 pcs | 6-35064-01-0-1 |
| YPP | INOUTIC 85 Efforte | | | | |
| | 170020 | 85 x 95 | grey | 25 pcs | 6-35424-04-0R1 |
| | 170020 | 85 x 95 | grey | 10 pcs | 6-35424-04-0-1 |
| | 170025 | 85 x 122 | grey | 25 pcs | 6-35424-05-0R1 |
| | 170025 | 85 x 122 | grey | 10 pcs | 6-35424-05-0-1 |

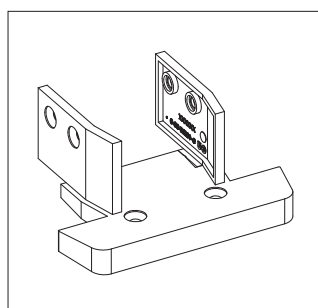


GU system threshold for KBE profile system

| PG | Description | Dim mm | Colour | PU | Order no. |
|-----|---|---------|----------|------|----------------|
| YPS | GU system threshold KBE 70 AD 6000 mm stock length | 72 x 20 | EV1/grey | 30 m | 6-34468-00-0-1 |
| YPS | GU system threshold KBE 88 6000 mm stock length | 90 x 20 | EV1/grey | 30 m | 6-35344-60-0-1 |



Threshold-to-frame connector



Threshold-to-mullion connector

Threshold-to-frame connectors – KBE

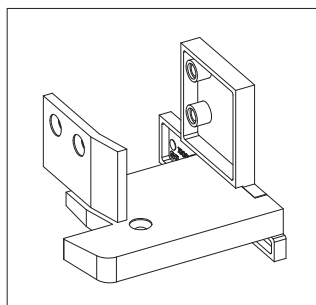
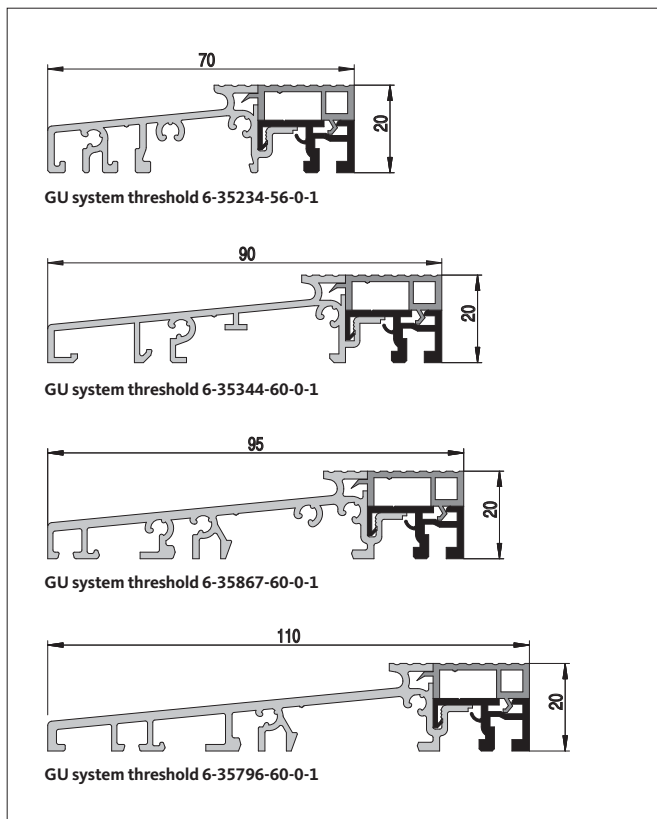
| PG | System / Frame profiles | Dim mm | Colour | PU | Order no. |
|-----|-------------------------|---------|--------|----------|----------------|
| YPH | KBE 58 AD | | | | |
| | BLR 306 | 58 x 70 | grey | 50 pairs | 6-34492-01-0H1 |
| | BLR 107 | 58 x 89 | grey | 50 pairs | 6-34492-02-0H1 |
| | BLR 309 | 58 x ? | grey | 50 pairs | 6-34493-01-0H1 |
| YPH | KBE 70 AD | | | | |
| | 370 | 70 x 69 | grey | 50 pairs | 6-34495-01-0H1 |
| | 370 | 70 x 69 | grey | 10 pairs | 6-34495-01-0-1 |
| | 371 | 70 x 79 | grey | 50 pairs | 6-34495-02-0H1 |
| | 371 | 70 x 79 | grey | 10 pairs | 6-34495-02-0-1 |
| | 372 | 70 x 90 | grey | 50 pairs | 6-34495-03-0H1 |
| | 372 | 70 x 90 | grey | 10 pairs | 6-34495-03-0-1 |
| YPH | KBE 88 + | | | | |
| | 8372 | 88 x 87 | grey | 50 pairs | 6-35409-05-0H1 |
| | 8372 | 88 x 87 | grey | 10 pairs | 6-35409-05-0-1 |

Threshold-to-mullion connectors – KBE

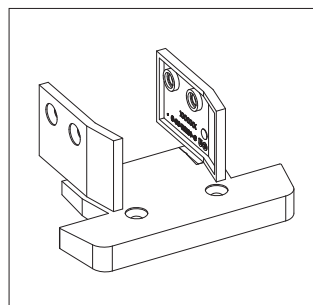
| PG | System / Mullion profiles | Dim mm | Colour | PU | Order no. |
|-----|---------------------------|----------|--------|--------|----------------|
| YPP | KBE 58 AD | | | | |
| | PF 132/532 | 58 x 81 | grey | 50 pcs | 6-34494-01-0-1 |
| | PF 715/732 | 58 x 115 | grey | 50 pcs | 6-34494-02-0-1 |
| YPP | KBE 70 AD | | | | |
| | 380 | 70 x 82 | grey | 25 pcs | 6-34496-01-0R1 |
| | 380 | 70 x 82 | grey | 10 pcs | 6-34496-01-0-1 |
| | 381 | 70 x 105 | grey | 25 pcs | 6-34496-02-0R1 |
| | 381 | 70 x 105 | grey | 10 pcs | 6-34496-02-0-1 |
| | 382 | 70 x 126 | grey | 25 pcs | 6-34496-03-0R1 |
| | 382 | 70 x 126 | grey | 10 pcs | 6-34496-03-0-1 |
| YPP | KBE 88 + | | | | |
| | 8380 | 88 x 105 | grey | 25 pcs | 6-35410-03-0R1 |
| | 8380 | 88 x 105 | grey | 10 pcs | 6-35410-03-0-1 |

Features and benefits

- Suitable for entrance doors and balcony-doors
- GU strikers are mounted flush with the tread surface
- Convenient threshold-to-frame / threshold-to-mullion connection
- Vertical extension by means of system-specific extension profiles
- Thermal break through PVC profiles
- No condensation on the inside
- Good thermal insulation
- Suitable for the needs of the disabled in compliance with DIN 18040



Threshold-to-frame connector



Threshold-to-mullion connector

Features and benefits

- Suitable for entrance doors and balcony-doors
- GU strikers are mounted flush with the tread surface
- Convenient threshold-to-frame / threshold-to-mullion connection
- Vertical extension by means of system-specific extension profiles
- Thermal break through PVC profiles
- No condensation on the inside
- Good thermal insulation
- Suitable for the needs of the disabled in compliance with DIN 18040

GU system threshold for Kömmerling profile system

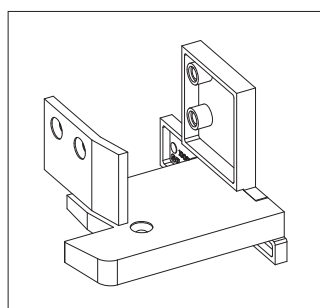
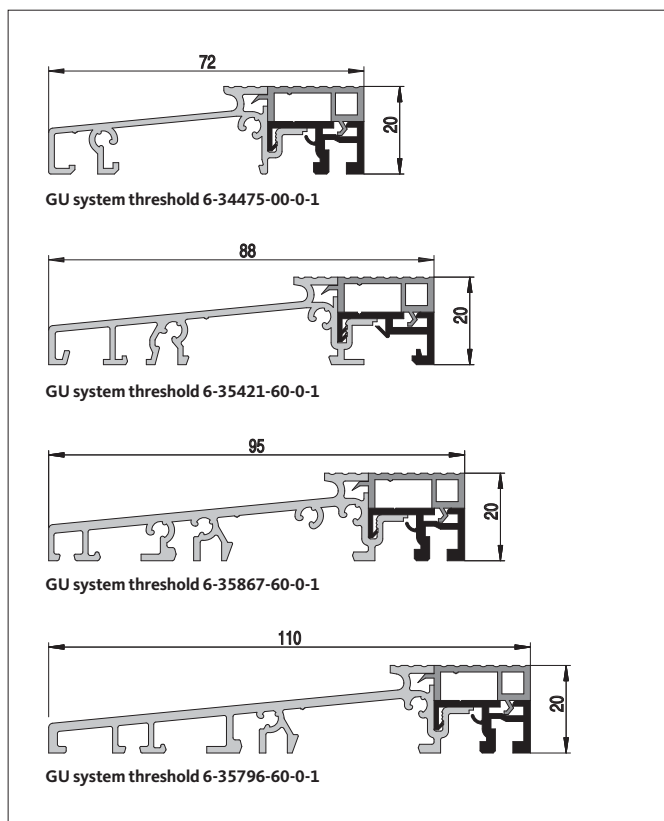
| PG | Description | Dim mm | Colour | PU | Order no. |
|-----|--|----------|----------|------|----------------|
| YPS | GU system threshold Kömmerling 70 mm 6000 mm stock length | 70 x 20 | EV1/grey | 30 m | 6-35234-56-0-1 |
| YPS | GU system threshold Kömmerling 88 mm 6000 mm stock length | 90 x 20 | EV1/grey | 30 m | 6-35344-60-0-1 |
| YPS | GU system threshold Kömmerling 6000 mm stock length | 95 x 20 | EV1/grey | 30 m | 6-35867-60-0-1 |
| YPS | GU system threshold Kömmerling 6000 mm stock length | 110 x 20 | EV1/grey | 30 m | 6-35796-60-0-1 |

Threshold-to-frame connectors – Kömmerling

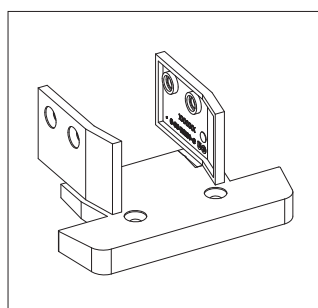
| PG | System / Frame profiles | Dim mm | Colour | PU | Order no. |
|-----|-------------------------|---------|--------|----------|----------------|
| YPH | Euro Futur Classic | | | | |
| | BLR 2501 | 70 x 70 | grey | 50 pairs | 6-35235-01-0H1 |
| | BLR 2501 | 70 x 70 | grey | 10 pairs | 6-35235-01-0-1 |
| | BLR 2502 | 70 x 85 | grey | 50 pairs | 6-35235-02-0H1 |
| YPH | Euro Futur Elegance | | | | |
| | BLR 0501 | 70 x 70 | grey | 50 pairs | 6-35235-03-0H1 |
| | BLR 0501 | 70 x 70 | grey | 10 pairs | 6-35235-03-0-1 |
| | BLR 0502 | 70 x 85 | grey | 50 pairs | 6-35235-04-0H1 |
| YPH | Kömmerling 88 + | | | | |
| | BLR 6201 | 88 x 76 | grey | 50 pairs | 6-35409-03-0H1 |
| | BLR 6201 | 88 x 76 | grey | 10 pairs | 6-35409-03-0-1 |
| | BLR 6202 | 88 x 89 | grey | 50 pairs | 6-35409-04-0H1 |
| YPH | Kömmerling e.Motion (F) | | | | |
| | BLR 6101 | 70 x 64 | grey | 50 pairs | 6-35235-05-0H1 |
| | BLR 6101 | 70 x 64 | grey | 10 pairs | 6-35235-05-0-1 |
| | BLR 6105 | 70 x 84 | grey | 50 pairs | 6-35235-06-0H1 |
| | BLR 6105 | 70 x 84 | grey | 10 pairs | 6-35235-06-0-1 |
| | BLR 6104 | 70 x 87 | grey | 50 pairs | 6-35235-07-0H1 |
| | BLR 6104 | 70 x 87 | grey | 10 pairs | 6-35235-07-0-1 |
| | BLR 6102 | 70 x 77 | grey | 50 pairs | 6-35235-08-0H1 |
| | BLR 6102 | 70 x 77 | grey | 10 pairs | 6-35235-08-0-1 |

Threshold-to-mullion connectors – Kömmerling

| PG | System / Mullion profiles | Dim mm | Colour | PU | Order no. |
|-----|---------------------------|----------|--------|--------|----------------|
| YPP | Euro Futur Classic | | | | |
| | PF 2422 /2425 | 70 x 90 | grey | 25 pcs | 6-35236-01-0R1 |
| | PF 2422 /2425 | 70 x 90 | grey | 10 pcs | 6-35236-01-0-1 |
| | PF 2423 | 70 x 105 | grey | 25 pcs | 6-35236-02-0R1 |
| | PF 2423 | 70 x 105 | grey | 10 pcs | 6-35236-02-0-1 |
| | PF 2427 | 70 x 115 | grey | 10 pcs | 6-35236-05-0R1 |
| YPP | Euro Futur Elegance | | | | |
| | 0122/0125 | 70 x 90 | grey | 25 pcs | 6-35236-03-0R1 |
| | 0122/0125 | 70 x 90 | grey | 10 pcs | 6-35236-03-0-1 |
| | 123 | 70 x 105 | grey | 25 pcs | 6-35236-04-0R1 |
| YPP | Kömmerling 88 + | | | | |
| | PF 6221 | 88 x 98 | grey | 25 pcs | 6-35410-01-0R1 |
| | PF 6221 | 88 x 98 | grey | 10 pcs | 6-35410-01-0-1 |
| | PF 6227 | 88 x 124 | grey | 25 pcs | 6-35410-04-0R1 |
| YPP | PF 6227 | 88 x 124 | grey | 10 pcs | 6-35410-04-0-1 |



Threshold-to-frame connector



Threshold-to-mullion connector

GU system threshold for Rehau profile system

| PG | Description | Dim mm | Colour | PU | Order no. |
|-----|---|----------|----------|------|----------------|
| YPS | GU system threshold Rehau 70 AD 6000 mm stock length | 72 x 20 | EV1/grey | 30 m | 6-34475-00-0-1 |
| YPS | GU system threshold Rehau Geneo 6000 mm stock length | 88 x 20 | EV1/grey | 30 m | 6-35421-60-0-1 |
| YPS | GU system threshold Rehau 6000 mm stock length | 95 x 20 | EV1/grey | 30 m | 6-35867-60-0-1 |
| YPS | GU system threshold Rehau 6000 mm stock length | 110 x 20 | EV1/grey | 30 m | 6-35796-60-0-1 |

Threshold-to-frame connectors – Rehau

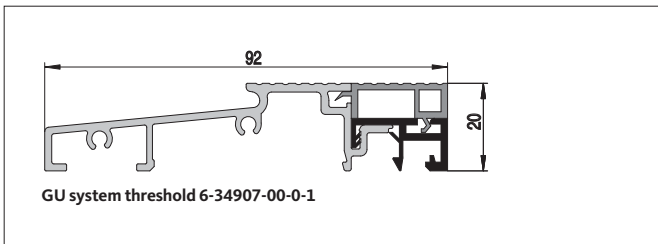
| PG | System / Frame profiles | Dim mm | Colour | PU | Order no. |
|--------|-------------------------|---------|----------|----------------|----------------|
| YPH | Rehau Brillant / S 799 | | | | |
| | 550000/550710 | 70 x 68 | grey | 50 pairs | 6-34842-01-0H1 |
| | 550000/550710 | 70 x 68 | grey | 10 pairs | 6-34842-01-0-1 |
| | 550010/550420/550730 | 70 x 76 | grey | 50 pairs | 6-34842-02-0H1 |
| | 550010/550420/550730 | 70 x 76 | grey | 10 pairs | 6-34842-02-0-1 |
| | 550540 | 70 x 98 | grey | 50 pairs | 6-34842-03-0H1 |
| | 550540 | 70 x 98 | grey | 10 pairs | 6-34842-03-0-1 |
| | 550003 | 70 x 64 | grey | 50 pairs | 6-34842-04-0H1 |
| 550003 | 70 x 64 | grey | 10 pairs | 6-34842-04-0-1 | |
| YPH | Rehau Euro | | | | |
| | 532505 | 86 x 66 | grey | 50 pairs | 6-35423-09-0H1 |
| | 532505 | 86 x 66 | grey | 10 pairs | 6-35423-09-0-1 |
| | 532515 | 86 x 80 | grey | 50 pairs | 6-35423-10-0H1 |
| 532515 | 86 x 80 | grey | 10 pairs | 6-35423-10-0-1 | |
| YPH | Rehau Geneo | | | | |
| | 532015 | 86 x 72 | grey | 50 pairs | 6-35423-06-0H1 |
| | 532015 | 86 x 72 | grey | 10 pairs | 6-35423-06-0-1 |
| | 532305 | 86 x 86 | grey | 50 pairs | 6-35423-07-0H1 |
| 532305 | 86 x 86 | grey | 10 pairs | 6-35423-07-0-1 | |

Threshold-to-mullion connectors – Rehau

| PG | System / Mullion profiles | Dim mm | Colour | PU | Order no. |
|--------|---------------------------|----------|--------|----------------|----------------|
| YPP | Rehau Brillant / S 799 | | | | |
| | 550750 | 70 x 86 | grey | 25 pcs | 6-34843-01-0R1 |
| | 550750 | 70 x 86 | grey | 10 pcs | 6-34843-01-0-1 |
| | 550780 | 70 x 120 | grey | 25 pcs | 6-34843-02-0R1 |
| 550780 | 70 x 120 | grey | 10 pcs | 6-34843-02-0-1 | |
| YPP | Rehau Euro | | | | |
| | 532575 | 86 x 86 | grey | 25 pcs | 6-35424-06-0R1 |
| 532575 | 86 x 86 | grey | 10 pcs | 6-35424-06-0-1 | |
| YPP | Rehau Geneo | | | | |
| | 532055 | 86 x 98 | grey | 25 pcs | 6-35424-03-0R1 |
| | 532055 | 86 x 98 | grey | 10 pcs | 6-35424-03-0-1 |
| | 532345 | 86 x 126 | grey | 25 pcs | 6-35424-08-0R1 |
| 532345 | 86 x 126 | grey | 10 pcs | 6-35424-08-0-1 | |

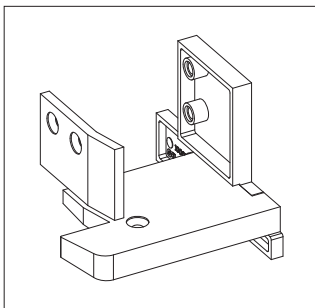
Features and benefits

- Suitable for entrance doors and balcony-doors
- GU strikers are mounted flush with the tread surface
- Convenient threshold-to-frame / threshold-to-mullion connection
- Vertical extension by means of system-specific extension profiles
- Thermal break through PVC profiles
- No condensation on the inside
- Good thermal insulation
- Suitable for the needs of the disabled in compliance with DIN 18040

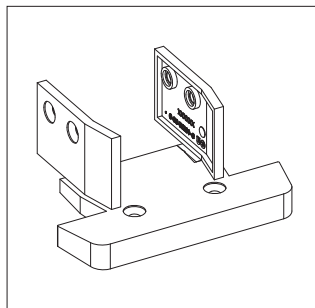


GU system threshold for Salamander profile system

| PG | Description | Dim mm | Colour | PU | Order no. |
|-----|--|---------|----------|------|----------------|
| YPS | GU system threshold Salamander 6000 mm stock length | 92 x 20 | EV1/grey | 30 m | 6-34907-00-0-1 |



Threshold-to-frame connector



Threshold-to-mullion connector

Threshold-to-frame connectors – Salamander

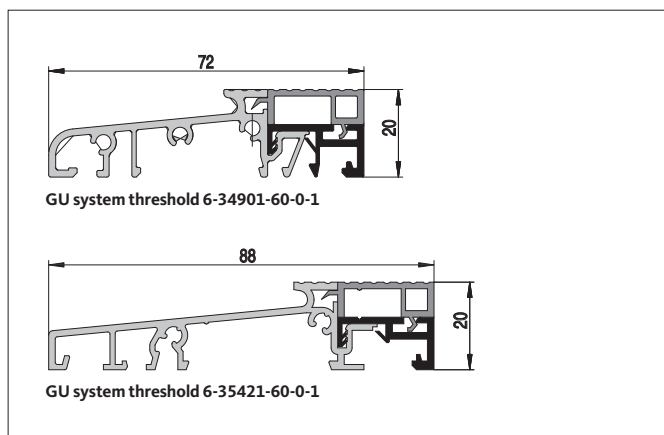
| PG | System / Frame profiles | Dim mm | Colour | PU | Order no. |
|-----|---------------------------|----------|--------|----------|----------------|
| YPH | Salamander Blue Evolution | | | | |
| | 170420 | 92 x 83 | grey | 50 pairs | 6-35117-01-0H1 |
| | 170420 | 92 x 83 | grey | 10 pairs | 6-35117-01-0-1 |
| | 170430 | 92 x 103 | grey | 50 pairs | 6-35117-02-0H1 |
| | 170430 | 92 x 103 | grey | 10 pairs | 6-35117-02-0-1 |

Threshold-to-mullion connectors – Salamander

| PG | System / Mullion profiles | Dim mm | Colour | PU | Order no. |
|-----|---------------------------|----------|--------|--------|----------------|
| YPP | Salamander Blue Evolution | | | | |
| | 172420 | 92 x 116 | grey | 25 pcs | 6-35129-01-0R1 |
| | 172420 | 92 x 116 | grey | 10 pcs | 6-35129-01-0-1 |

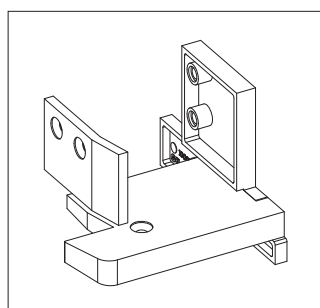
Features and benefits

- Suitable for entrance doors and balcony-doors
- GU strikers are mounted flush with the tread surface
- Convenient threshold-to-frame / threshold-to-mullion connection
- Vertical extension by means of system-specific extension profiles
- Thermal break through PVC profiles
- No condensation on the inside
- Good thermal insulation
- Suitable for the needs of the disabled in compliance with DIN 18040

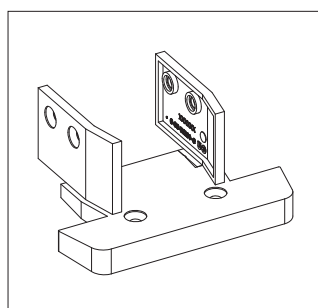


GU system threshold for Schüco profile system

| PG | Description | Dim mm | Colour | PU | Order no. |
|-----|--|---------|----------|------|----------------|
| YPS | GU system threshold Schüco CT 70 6000 mm stock length | 72 x 20 | EV1/grey | 30 m | 6-34901-00-0-1 |
| YPS | GU system threshold Schüco SI 82 6000 mm stock length | 88 x 20 | EV1/grey | 30 m | 6-35421-60-0-1 |



Threshold-to-frame connector



Threshold-to-mullion connector

Threshold-to-frame connectors – Schüco

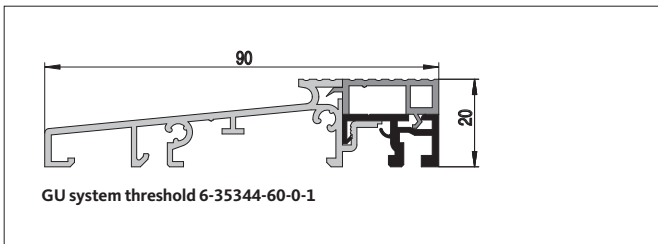
| PG | System / Frame profiles | Dim mm | Colour | PU | Order no. |
|-------|-------------------------|----------|----------|----------------|----------------|
| YPH | Schüco CT 70 | | | | |
| | CT 8595/96 | 70 x 68 | grey | 50 pairs | 6-34902-01-0H1 |
| | CT 8595/96 | 70 x 68 | grey | 10 pairs | 6-34902-01-0-1 |
| | CT 8597/8852 | 70 x 78 | grey | 50 pairs | 6-34902-02-0H1 |
| | CT 8597/8852 | 70 x 78 | grey | 10 pairs | 6-34902-02-0-1 |
| | CT 8623 | 70 x 88 | grey | 50 pairs | 6-34902-03-0H1 |
| | CT 8623 | 70 x 88 | grey | 10 pairs | 6-34902-03-0-1 |
| | CT 8570 | 70 x 100 | grey | 50 pairs | 6-34902-04-0H1 |
| YPH | Schüco SI 82 | | | | |
| | 18808 | 82 x 68 | grey | 50 pairs | 6-35423-01-0H1 |
| | 18808 | 82 x 68 | grey | 10 pairs | 6-35423-01-0-1 |
| | 18809 | 82 x 88 | grey | 50 pairs | 6-35423-02-0H1 |
| | 18809 | 82 x 88 | grey | 10 pairs | 6-35423-02-0-1 |
| | 19161 | 82 x 78 | grey | 50 pairs | 6-35423-11-0H1 |
| 19161 | 82 x 78 | grey | 10 pairs | 6-35423-11-0-1 | |

Threshold-to-mullion connectors – Schüco

| PG | System / Mullion profiles | Dim mm | Colour | PU | Order no. |
|-----|---------------------------|----------|--------|--------|----------------|
| YPP | Schüco CT 70 | | | | |
| | 8584 | 70 x 91 | grey | 25 pcs | 6-34903-01-0R1 |
| | 8584 | 70 x 91 | grey | 10 pcs | 6-34903-01-0-1 |
| | 8608/8849 | 70 x 110 | grey | 25 pcs | 6-34903-02-0R1 |
| | 8608/8849 | 70 x 110 | grey | 10 pcs | 6-34903-02-0-1 |
| | 8515 | 70 x 147 | grey | 25 pcs | 6-34903-03-0R1 |
| YPP | Schüco SI 82 | | | | |
| | 18814 | 82 x 91 | grey | 25 pcs | 6-35424-01-0R1 |
| | 18814 | 82 x 91 | grey | 10 pcs | 6-35424-01-0-1 |
| | 18833 | 82 x 110 | grey | 25 pcs | 6-35424-07-0R1 |
| | 18833 | 82 x 110 | grey | 10 pcs | 6-35424-07-0-1 |

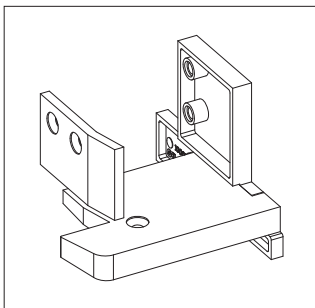
Features and benefits

- Suitable for entrance doors and balcony-doors
- GU strikers are mounted flush with the tread surface
- Convenient threshold-to-frame / threshold-to-mullion connection
- Vertical extension by means of system-specific extension profiles
- Thermal break through PVC profiles
- No condensation on the inside
- Good thermal insulation
- Suitable for the needs of the disabled in compliance with DIN 18040

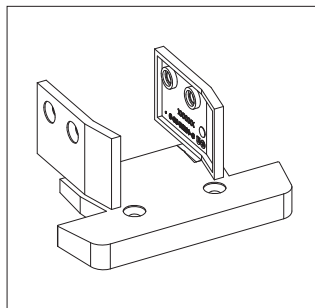


GU system threshold for Trocal profile system

| PG | Description | Dim mm | Colour | PU | Order no. |
|-----|--|--------|----------|------|----------------|
| YPS | GU system threshold 90 x 20 Trocal 88 6000 mm stock length | | EV1/grey | 30 m | 6-35344-60-0-1 |



Threshold-to-frame connector



Threshold-to-mullion connector

Threshold-to-frame connectors for Trocal system

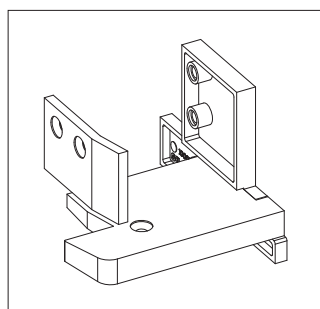
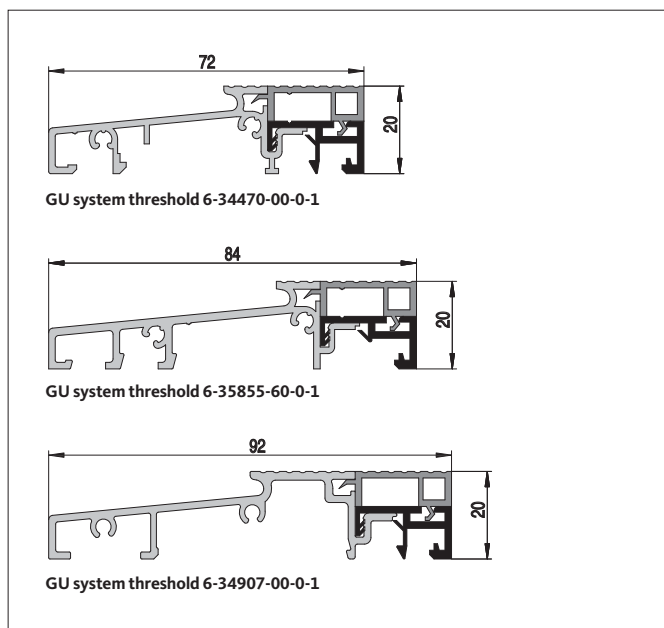
| PG | System / Frame profiles | Dim mm | Colour | PU | Order no. |
|-----|-------------------------|---------|--------|----------|----------------|
| YPH | Trocal 88 + | | | | |
| | 810100 | 88 x 68 | grey | 50 pairs | 6-35409-01-0H1 |
| | 810100 | 88 x 68 | grey | 10 pairs | 6-35409-01-0-1 |
| | 810200 | 88 x 94 | grey | 50 pairs | 6-35409-02-0H1 |
| | 810200 | 88 x 94 | grey | 10 pairs | 6-35409-02-0-1 |
| | 810300 | 88 x 73 | grey | 50 pairs | 6-35409-06-0H1 |
| | 810300 | 88 x 73 | grey | 10 pairs | 6-35409-06-0-1 |

Threshold-to-mullion connectors – Trocal

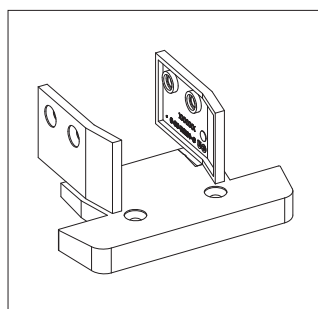
| PG | System / Mullion profiles | Dim mm | Colour | PU | Order no. |
|-----|---------------------------|---------|--------|--------|----------------|
| YPP | Trocal 88 + | | | | |
| | 830100 | 88 x 98 | grey | 25 pcs | 6-35410-02-0H1 |
| | 830100 | 88 x 98 | grey | 10 pcs | 6-35410-02-0-1 |

Features and benefits

- Suitable for entrance doors and balcony-doors
- GU strikers are mounted flush with the tread surface
- Convenient threshold-to-frame / threshold-to-mullion connection
- Vertical extension by means of system-specific extension profiles
- Thermal break through PVC profiles
- No condensation on the inside
- Good thermal insulation
- Suitable for the needs of the disabled in compliance with DIN 18040



Threshold-to-frame connector



Threshold-to-mullion connector

GU system threshold for Veka profile system

| PG | Description | Dim mm | Colour | PU | Order no. |
|-----|---|---------|----------|------|----------------|
| YPS | GU system threshold Veka Topline, Softline 6000 mm stock length | 72 x 20 | EV1/grey | 30 m | 6-34470-00-0-1 |
| YPS | GU system threshold Veka Softline 82 6000 mm stock length | 84 x 20 | EV1/grey | 30 m | 6-35855-60-0-1 |
| YPS | GU system threshold Veka Alphaline 6000 mm stock length | 92 x 20 | EV1/grey | 30 m | 6-34907-00-0-1 |

Threshold-to-frame connectors – Veka

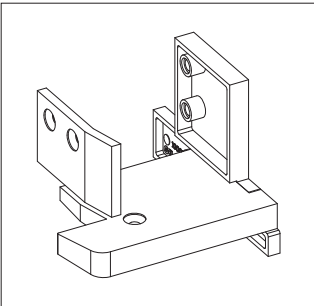
| PG | System / Frame profiles | Dim mm | Colour | PU | Order no. |
|-----|-------------------------|----------|--------|----------|----------------|
| YPH | Veka Alphaline | | | | |
| | 101236 | 92 x 84 | grey | 50 pairs | 6-34908-01-0H1 |
| | 101236 | 92 x 84 | grey | 10 pairs | 6-34908-01-0-1 |
| | 101237 | 92 x 105 | grey | 50 pairs | 6-34908-02-0H1 |
| YPH | Veka Softline | | | | |
| | 101215 | 70 x 100 | grey | 50 pairs | 6-35676-01-0H1 |
| | 101215 | 70 x 100 | grey | 10 pairs | 6-35676-01-0-1 |
| | 101214 | 70 x 80 | grey | 50 pairs | 6-35676-02-0H1 |
| YPH | Veka Softline 82 | | | | |
| | 101290, 101293 | 82 x 73 | grey | 50 pairs | 6-35801-01-0H1 |
| | 101290, 101293 | 82 x 73 | grey | 10 pairs | 6-35801-01-0-1 |
| | 101291, 101294 | 82 x 83 | grey | 50 pairs | 6-35801-02-0H1 |
| YPH | Veka Topline AD | | | | |
| | 101205 | 70 x 75 | grey | 50 pairs | 6-34821-01-0H1 |
| | 101205 | 70 x 75 | grey | 10 pairs | 6-34821-01-0-1 |
| | 101204 | 70 x 67 | grey | 50 pairs | 6-34821-02-0H1 |

Threshold-to-mullion connectors – Veka

| PG | System / Mullion profiles | Dim mm | Colour | PU | Order no. |
|-----|---------------------------|----------|--------|--------|----------------|
| YPP | Veka Alphaline | | | | |
| | 102242 | 92 x 119 | grey | 25 pcs | 6-34909-01-0R1 |
| YPP | Veka Softline | | | | |
| | 102.218/102.241 | 70 x 85 | grey | 25 pcs | 6-35677-01-0R1 |
| | 102.218/102.241 | 70 x 85 | grey | 10 pcs | 6-35677-01-0-1 |
| | 102238 | 70 x 118 | grey | 25 pcs | 6-35677-02-0R1 |
| YPP | Veka Softline 82 | | | | |
| | 102310, 102312 | 82 x 94 | grey | 25 pcs | 6-35802-01-0R1 |
| | 102310, 102312 | 82 x 94 | grey | 10 pcs | 6-35802-01-0-1 |
| | 102311 | 82 x 124 | grey | 25 pcs | 6-35802-02-0R1 |
| YPP | Veka Topline AD | | | | |
| | 102200 | 70 x 85 | grey | 25 pcs | 6-34824-01-0R1 |
| | 102200 | 70 x 85 | grey | 10 pcs | 6-34824-01-0-1 |
| | 102207 | 70 x 100 | grey | 25 pcs | 6-34822-01-0R1 |
| | 102207 | 70 x 100 | grey | 10 pcs | 6-34822-01-0-1 |
| | 102202 | 70 x 118 | grey | 25 pcs | 6-34824-02-0R1 |

Features and benefits

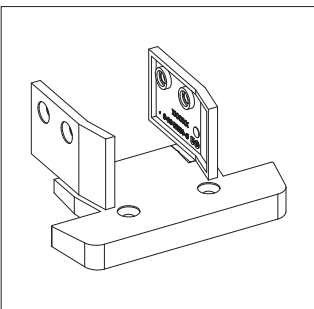
- Suitable for entrance doors and balcony-doors
- GU strikers are mounted flush with the tread surface
- Convenient threshold-to-frame / threshold-to-mullion connection
- Vertical extension by means of system-specific extension profiles
- Thermal break through PVC profiles
- No condensation on the inside
- Good thermal insulation
- Suitable for the needs of the disabled in compliance with DIN 18040



Threshold-to-frame connector

Threshold-to-frame connector

- Fast and efficient connection of threshold and frame
- The threshold-to-frame connector acts as adapter between the threshold and the frame which is cut at a right angle
- The connector is bolted into either side of the frame profile
- High static values thanks to the possibility to screw into the steel reinforcement
- High impact strength
- Highly UV resistant material
- Brush seals in the area of the door rebate

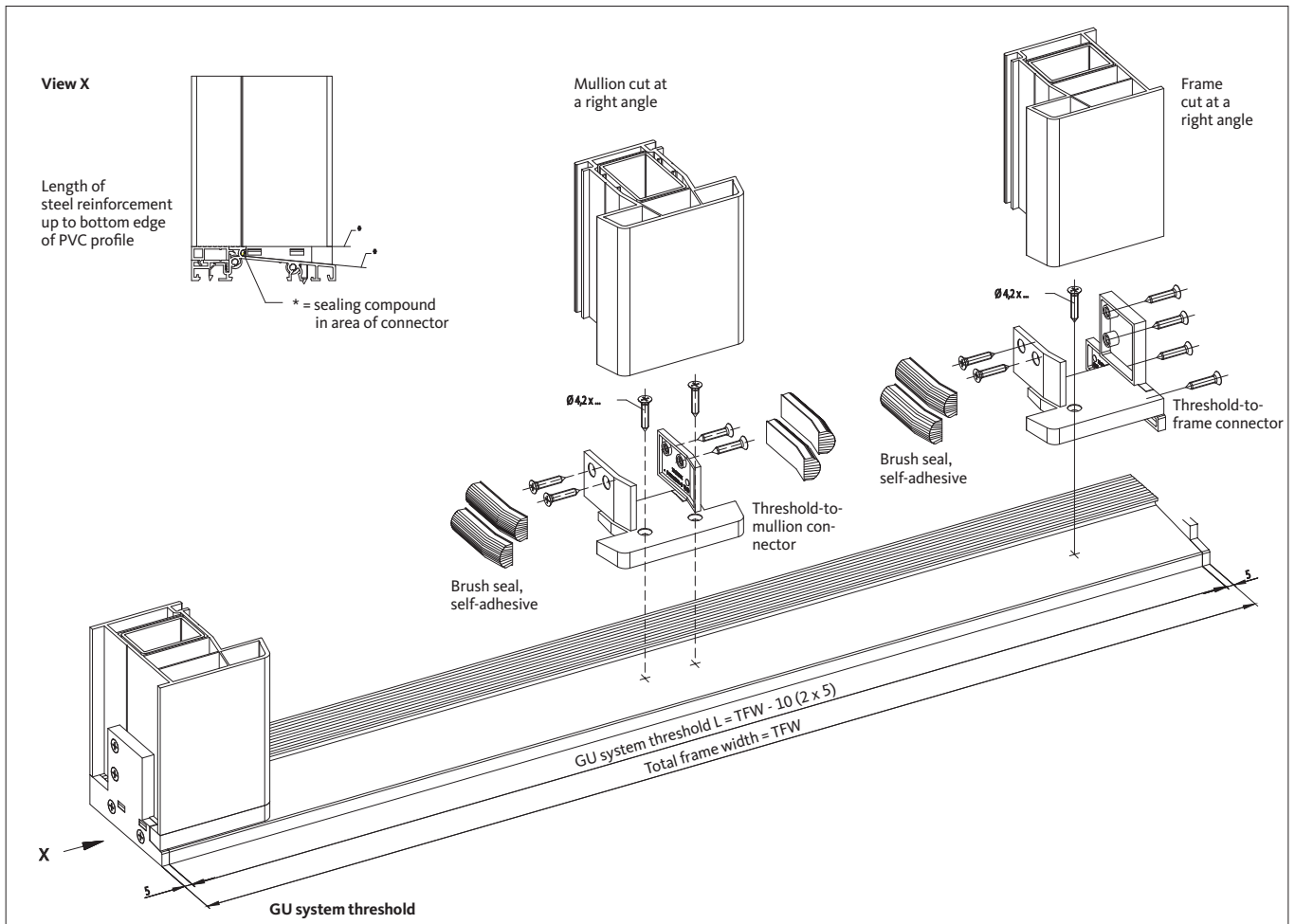


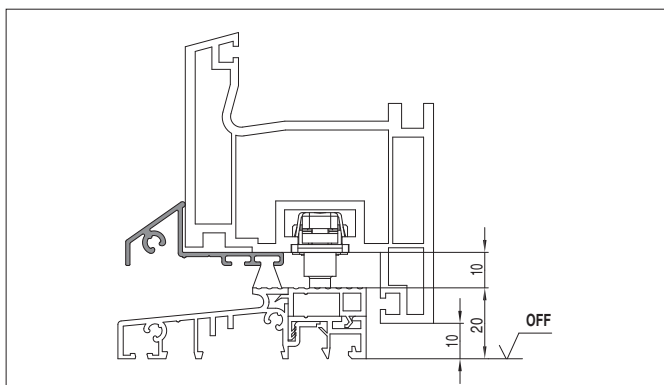
Threshold-to-mullion connector

Threshold-to-mullion connector

- High static strength for multi-leaf elements with mullions due to a continuous threshold
- Fast and efficient connection of threshold and mullion
- The threshold-to-mullion connector acts as adapter between the threshold and the mullion which is cut at a right angle
- The connector is bolted into either side of the mullion profile
- High static values thanks to the possibility to screw into the steel reinforcement
- High impact strength
- Highly UV resistant material
- Brush seals in the area of the door rebate

Mounting of threshold-to-frame and threshold-to-mullion connectors

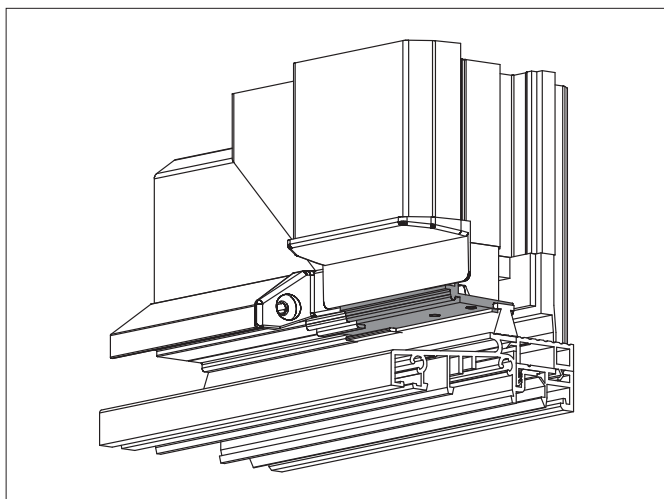




Mounting of drip rail

Drip rails

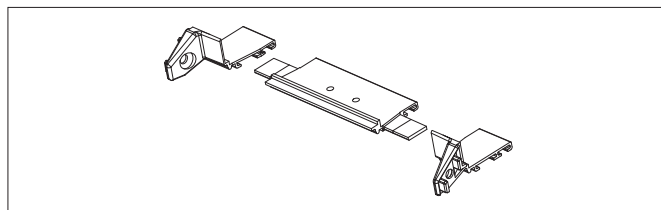
- Drip rails with inserted brush seal for 10 mm rebate clearance.
- Attachment under the leaf profile with screws.
- The brush seal acts as an additional seal to the rebate gasket.
- It protects the interior from driving rain, dust and draught.
- The drip rail closes the shadow gap between the bottom edge of the door leaf and the threshold.



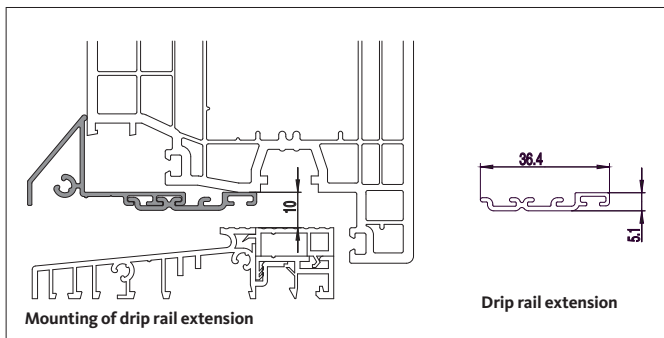
Mounting of dummy mullion adapter

Dummy mullion adapter

- The dummy mullion adapter is used to seal the bottom area of double-leaf doors with dummy mullion.
- It enables the brush seal to be continued as far as the dummy mullion.
- The contour of the adapter fits the drip rail and the adapter can be connected to the end caps.



Dummy mullion adapter, end caps

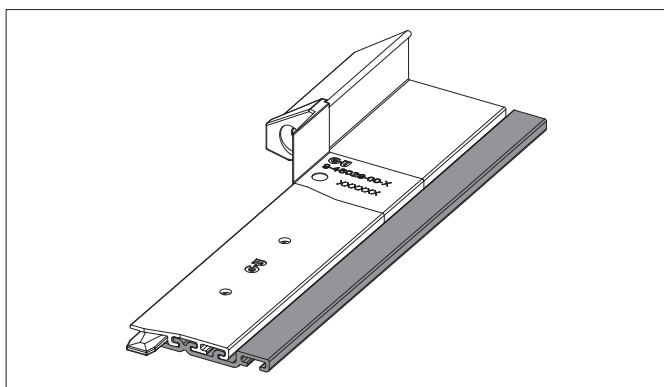


Mounting of drip rail extension

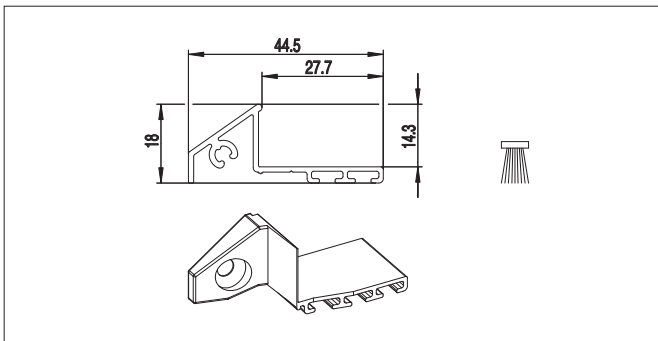
Drip rail extension

Drip rail extension

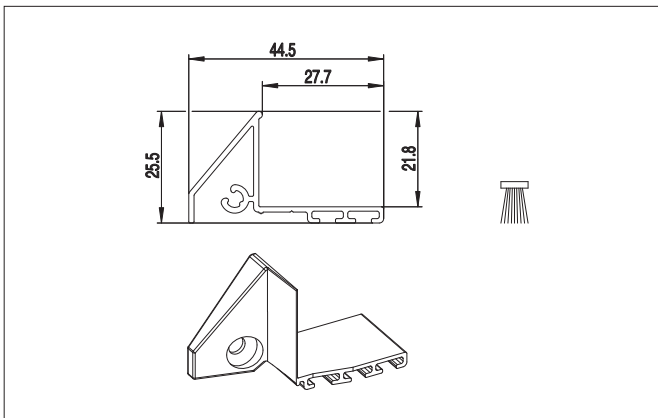
- The drip rail extension is used as adapter for sash profiles with a depth over 70 mm.
- The extension is inserted in the drip rail's groove for the brush seal.
- For drip rail depths of up to 64 mm.
- The drip rail extension is suitable for all drip rails with two brush seal grooves and for all heights.
- It is possible to connect the dummy mullion connector.



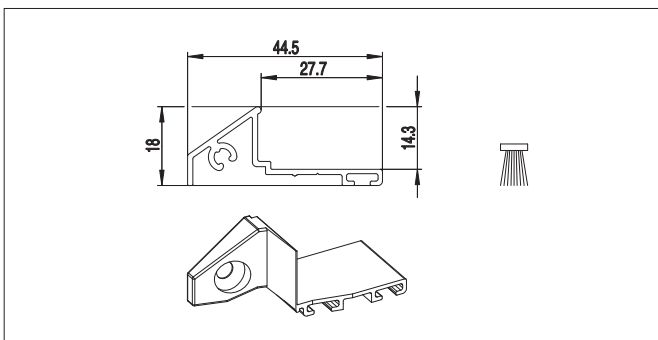
Mounting of drip rail, drip rail extension, dummy mullion adapter, end cap



Drip rail # 242
with brush seal and end caps



Drip rail # 244
with brush seal and end caps



Drip rails # 237 / 238 / 246
with brush seal and end caps

Drip rail # 242 with brush seal, end caps and accessories – Universal

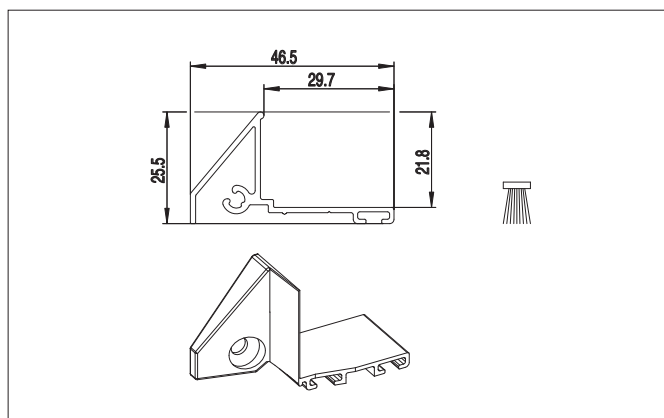
| PG | Description | Dim mm | Colour | PU | Order no. |
|-----|--|------------------|--------|--------|----------------|
| YPW | Drip rail # 242 with brush seal and end caps | 18 x 44.5 x 6000 | EV 1 | 60 m | 6-35386-60-0-1 |
| | Drip rail # 242 with brush seal and end caps | 18 x 44.5 x 6000 | brown | 60 m | 6-35386-60-0-5 |
| | Drip rail # 242 with brush seal and end caps | 18 x 44.5 x 6000 | white | 60 m | 6-35386-60-0-7 |
| YPW | End cap # 242 g | 18 x 44.5 | grey | 1 pair | 9-46028-00-0-1 |
| | End cap # 242 b | 18 x 44.5 | brown | 1 pair | 9-46028-00-0-5 |
| | End cap # 242 w | 18 x 44.5 | white | 1 pair | 9-46028-00-0-7 |
| YPW | Brush seal | | grey | 150 m | H-01159-00-0-1 |
| YPW | Dummy mullion adapter # 252 | | grey | 25 pcs | 9-45549-00-0-1 |
| YPW | Drip rail extension # 260 | 36.4x5.1x3000 | EV 1 | 30 m | P-01877-30-0-1 |

Drip rail # 244 with brush seal, end caps and accessories – Universal

| PG | Description | Dim mm | Colour | PU | Order no. |
|-----|--|--------------------|--------|--------|----------------|
| YPW | Drip rail # 244 with brush seal and end caps | 25.5 x 44.5 x 6000 | EV 1 | 60 m | 6-35387-60-0-1 |
| | Drip rail # 244 with brush seal and end caps | 25.5 x 44.5 x 6000 | brown | 60 m | 6-35387-60-0-5 |
| | Drip rail # 244 with brush seal and end caps | 25.5 x 44.5 x 6000 | white | 60 m | 6-35387-60-0-7 |
| YPW | End cap # 244 g | 25.5 x 44.5 | grey | 1 pair | 9-46029-00-0-1 |
| | End cap # 244 b | 25.5 x 44.5 | brown | 1 pair | 9-46029-00-0-5 |
| | End cap # 244 w | 25.5 x 44.5 | white | 1 pair | 9-46029-00-0-7 |
| YPW | Brush seal | | grey | 150 m | H-01159-00-0-1 |
| YPW | Dummy mullion adapter # 252 | | grey | 25 pcs | 9-45549-00-0-1 |
| YPW | Drip rail extension # 260 | 36.4x5.1x3000 | EV 1 | 30 m | P-01877-30-0-1 |

Drip rails # 237 / 238 / 246 with brush seal, end caps and accessories – Universal

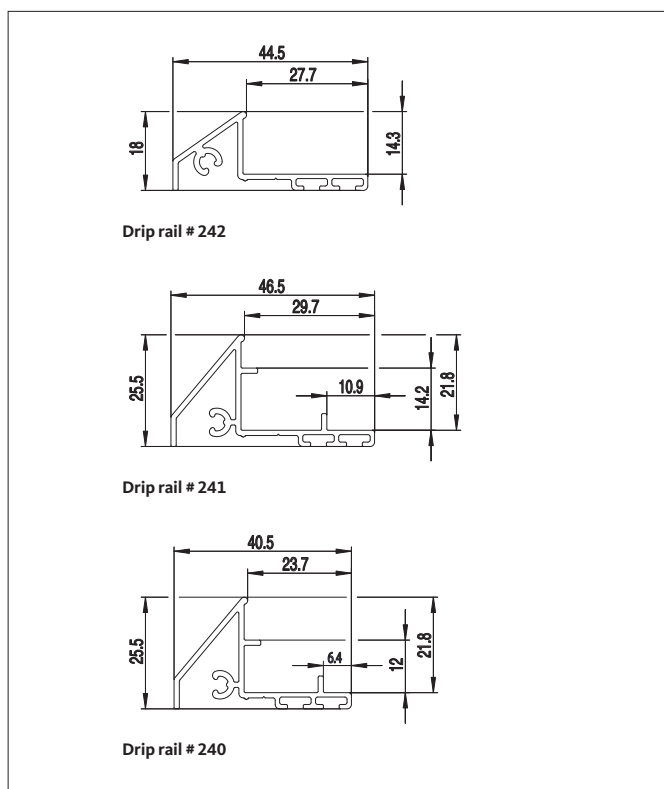
| PG | Description | Dim mm | Colour | PU | Order no. |
|-----|--|------------------|--------|---------|----------------|
| YPW | Drip rail # 246 with brush seal and end caps | 18 x 44.5 x 5520 | EV 1 | 10 sets | 6-34827-01-0-1 |
| | Drip rail # 238 with brush seal and end caps | 18 x 44.5 x 5520 | brown | 10 sets | 6-34827-01-0-5 |
| | Drip rail # 237 with brush seal and end caps | 18 x 44.5 x 5520 | white | 10 sets | 6-34827-01-0-7 |
| | Drip rail # 246 with brush seal and end caps | 18 x 44.5 x 1100 | EV 1 | 25 sets | 6-34827-00-0-1 |
| | Drip rail # 238 with brush seal and end caps | 18 x 44.5 x 1100 | brown | 25 sets | 6-34827-00-0-5 |
| | Drip rail # 237 with brush seal and end caps | 18 x 44.5 x 1100 | white | 25 sets | 6-34827-00-0-7 |
| YPW | End cap # 246 g | 18 x 44.5 | grey | 1 pair | 9-45506-00-0-1 |
| | End cap # 238 b | 18 x 44.5 | brown | 1 pair | 9-45506-00-0-5 |
| | End cap # 237 w | 18 x 44.5 | white | 1 pair | 9-45506-00-0-7 |
| YPW | Brush seal | | grey | 150 m | H-01159-00-0-1 |
| YPW | Dummy mullion adapter # 250 | | grey | 25 pcs | 9-45146-00-0-1 |



Drip rails # 247 / 248 / 249 with brush seal and end caps

Drip rails # 247 / 248 / 249 with brush seal, end caps and accessories – Universal

| PG | Description | Dim mm | Colour | PU | Order no. |
|-----|--|--------------------|--------|---------|----------------|
| YPW | Drip rail # 247 with brush seal and end caps | 25.5 x 44.5 x 5520 | EV 1 | 10 sets | 6-34828-01-0-1 |
| | Drip rail # 249 with brush seal and end caps | 25.5 x 44.5 x 5520 | brown | 10 sets | 6-34828-01-0-5 |
| | Drip rail # 248 with brush seal and end caps | 25.5 x 44.5 x 5520 | white | 10 sets | 6-34828-01-0-7 |
| | Drip rail # 247 with brush seal and end caps | 25.5 x 44.5 x 1100 | EV 1 | 25 sets | 6-34828-00-0-1 |
| | Drip rail # 249 with brush seal and end caps | 25.5 x 44.5 x 1100 | brown | 25 sets | 6-34828-00-0-5 |
| | Drip rail # 248 with brush seal and end caps | 25.5 x 44.5 x 1100 | white | 25 sets | 6-34828-00-0-7 |
| YPW | End cap # 247 g | 25.5 x 44.5 | grey | 1 pair | 9-45506-00-0-1 |
| | End cap # 249 b | 25.5 x 44.5 | brown | 1 pair | 9-45506-00-0-5 |
| | End cap # 248 w | 25.5 x 44.5 | white | 1 pair | 9-45506-00-0-7 |
| YPW | Brush seal | | grey | 150 m | H-01159-00-0-1 |
| YPW | Dummy mullion adapter # 250 | | grey | 25 pcs | 9-45146-00-0-1 |



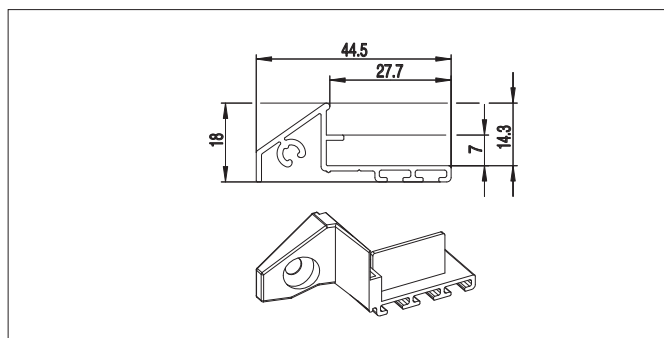
Drip rail # 242

Drip rail # 241

Drip rail # 240

Drip rail with accessories – profile system HOCO

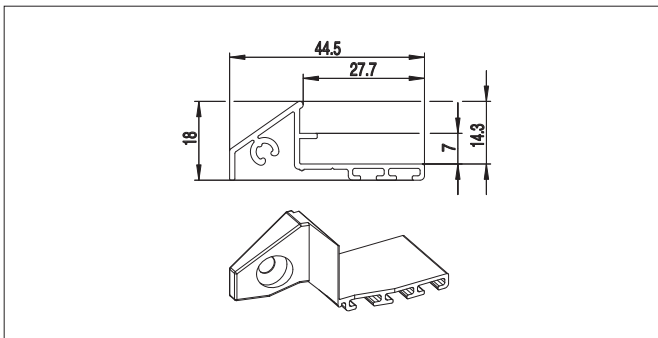
| PG | Description | Dim mm | Colour | PU | Order no. |
|-----|---------------------------|--------------------|--------|-------|----------------|
| YPW | Drip rail # 242 | 18 x 44.5 x 6000 | EV 1 | 60 m | 6-35266-60-0-1 |
| | Drip rail # 241 | 25.5 x 44.5 x 6000 | EV 1 | 60 m | 6-35265-60-0-1 |
| | Drip rail # 240 | 25.5 x 40.5 x 6000 | EV 1 | 60 m | 6-35264-60-0-1 |
| YPW | Brush seal | | grey | 150 m | H-01159-00-0-1 |
| YPW | Drip rail extension # 260 | 36.4x5.1x3000 | EV 1 | 30 m | P-01877-30-0-1 |



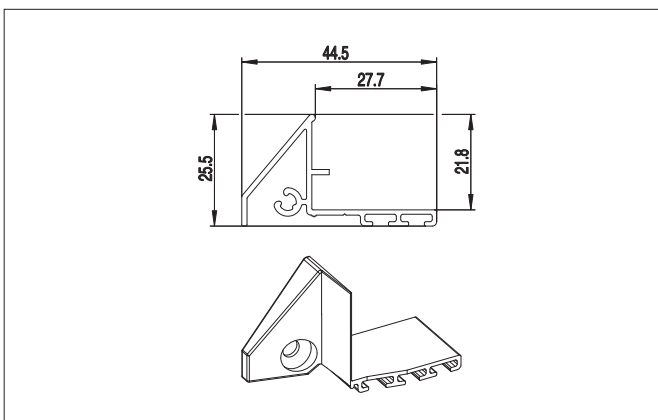
Drip rail # 243, end cap

Drip rail and accessories – profile system INOUTIC

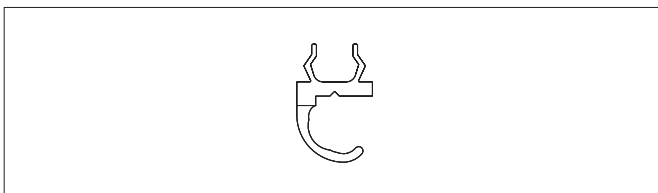
| PG | Description | Dim mm | Colour | PU | Order no. |
|-----|-----------------------------|------------------|--------|--------|----------------|
| YPW | Drip rail # 243 | 18 x 44.5 x 6000 | EV 1 | 60 m | 9-45562-60-0-1 |
| | Drip rail # 243 | 18 x 44.5 x 6000 | brown | 60 m | 9-45562-60-0-5 |
| | Drip rail # 243 | 18 x 44.5 x 6000 | white | 60 m | 9-45562-60-0-7 |
| YPW | End cap # 243 g | 18 x 44.5 | grey | 1 pair | 9-45564-00-0-1 |
| | End cap # 243 b | 18 x 44.5 | brown | 1 pair | 9-45564-00-0-5 |
| | End cap # 243 w | 18 x 44.5 | white | 1 pair | 9-45564-00-0-7 |
| YPW | Brush seal | | grey | 150 m | H-01159-00-0-1 |
| YPW | Dummy mullion adapter # 251 | | grey | 25 pcs | 9-45566-00-0-1 |
| | Dummy mullion adapter # 251 | | brown | 25 pcs | 9-45566-00-0-5 |
| YPW | Drip rail extension # 260 | 36.4x5.1x3000 | EV 1 | 30 m | P-01877-30-0-1 |



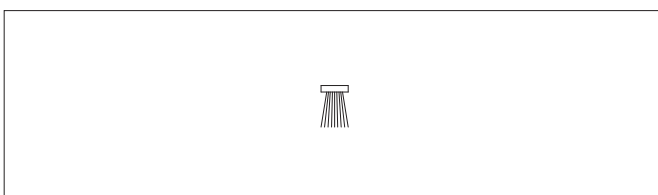
Drip rail # 243, end cap



Drip rail # 244, end cap



Threshold gasket



Brush seal

Drip rail and accessories – profile system Veka SL 82

| PG | Description | Dim mm | Colour | PU | Order no. |
|-----|-----------------------------|------------------|--------|--------|----------------|
| YPW | Drip rail # 243 | 18 x 44.5 x 6000 | EV 1 | 60 m | 9-45562-60-0-1 |
| | Drip rail # 243 | 18 x 44.5 x 6000 | brown | 60 m | 9-45562-60-0-5 |
| | Drip rail # 243 | 18 x 44.5 x 6000 | white | 60 m | 9-45562-60-0-7 |
| YPW | End cap # 242 g | 18 x 44.5 | grey | 1 pair | 9-46028-00-0-1 |
| | End cap # 242 b | 18 x 44.5 | brown | 1 pair | 9-46028-00-0-5 |
| | End cap # 242 w | 18 x 44.5 | white | 1 pair | 9-46028-00-0-7 |
| YPW | Brush seal | | grey | 150 m | H-01159-00-0-1 |
| YPW | Dummy mullion adapter # 251 | | grey | 25 pcs | 9-45566-00-0-1 |
| | Dummy mullion adapter # 251 | | brown | 25 pcs | 9-45566-00-0-5 |
| YPW | Drip rail extension # 260 | 36.4x5.1x3000 | EV 1 | 30 m | P-01877-30-0-1 |

Drip rail and accessories – profile systems Rehau Geneo, Gealan 7000, Gealan 8000 IQ plus

| PG | Description | Dim mm | Colour | PU | Order no. |
|-----|-----------------------------|--------------------|--------|--------|----------------|
| YPW | Drip rail # 244 | 25.5 x 44.5 x 6000 | EV 1 | 60 m | 9-46928-60-0-1 |
| | Drip rail # 244 | 25.5 x 44.5 x 6000 | brown | 60 m | 9-46928-60-0-5 |
| | Drip rail # 244 | 25.5 x 44.5 x 6000 | white | 60 m | 9-46928-60-0-7 |
| YPW | End cap # 244 g | 25.5 x 44.5 | grey | 1 pair | 9-46029-00-0-1 |
| | End cap # 244 b | 25.5 x 44.5 | brown | 1 pair | 9-46029-00-0-5 |
| | End cap # 244 w | 25.5 x 44.5 | white | 1 pair | 9-46029-00-0-7 |
| YPW | Brush seal | | grey | 150 m | H-01159-00-0-1 |
| YPW | Dummy mullion adapter # 252 | | grey | 25 pcs | 9-45549-00-0-1 |
| YPW | Drip rail extension # 260 | 36.4x5.1x3000 | EV 1 | 30 m | P-01877-30-0-1 |

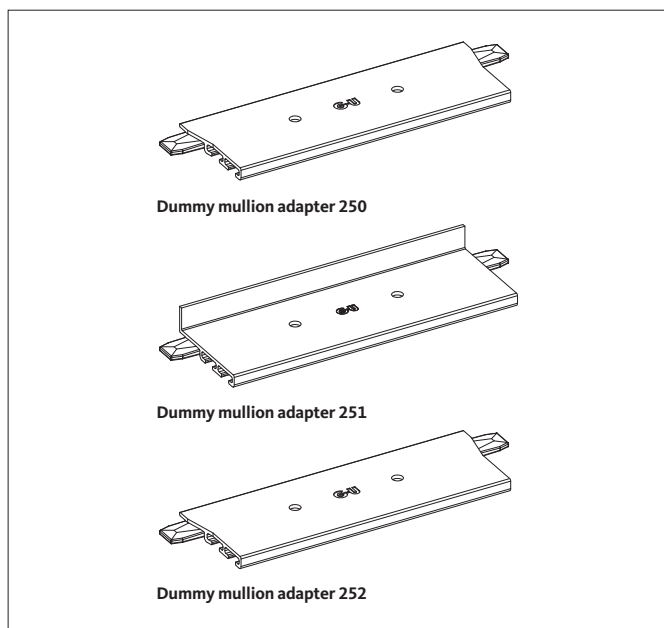
Threshold gasket

- The threshold gasket is mounted on the door leaf.
- It is clipped into the hardware groove and fixed with screws.
- The gasket can also be attached when a drip rail is already mounted.
- It prevents water from penetrating as far as to the overlap gasket.
- Due to its straight contour at the bottom, the gasket glides over the profiled surface of the GU threshold easily.

| PG | Description | Dim mm | Colour | PU | Order no. |
|-----|------------------|--------|--------|--------|----------------|
| YPS | Threshold gasket | 1140 | black | 25 pcs | 9-45315-00-0-0 |

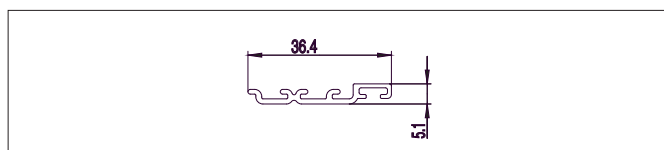
Brush seal

| PG | Description | Dim mm | Colour | PU | Order no. |
|-----|-------------|----------|--------|-------|----------------|
| YPW | Brush seal | 6.7 x 11 | grey | 150 m | H-01159-00-0-0 |
| | Brush seal | 6.7 x 5 | grey | 350 m | H-01159-05-0-0 |



Dummy mullion adapter

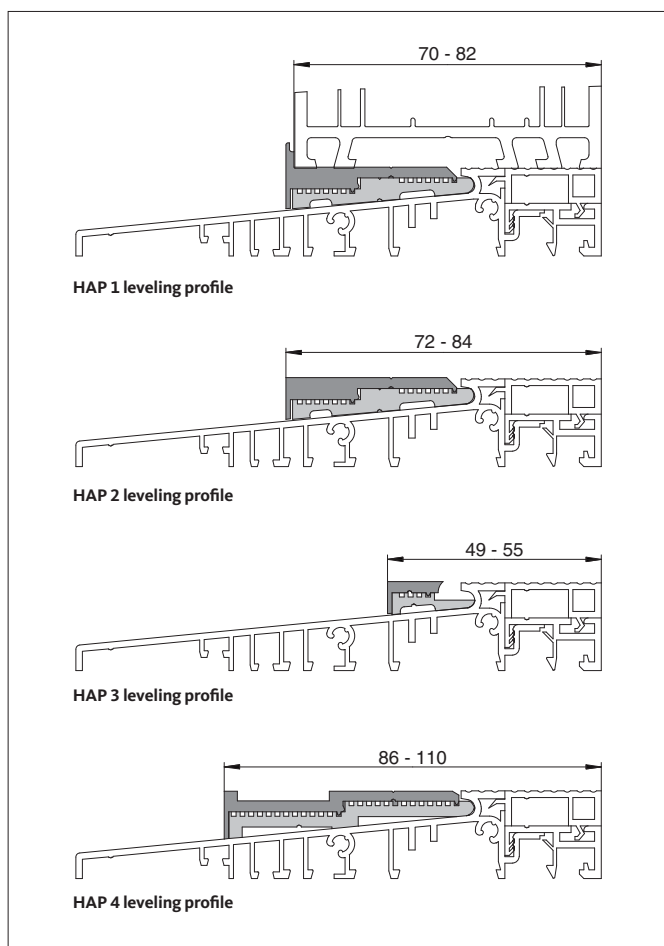
| PG | Description | Colour | PU | Order no. |
|-----|-----------------------------|--------|--------|----------------|
| YPW | Dummy mullion adapter # 250 | grey | 25 pcs | 9-45146-00-0-1 |
| | Dummy mullion adapter # 251 | grey | 25 pcs | 9-45566-00-0-1 |
| | Dummy mullion adapter # 252 | grey | 25 pcs | 9-45549-00-0-1 |



Drip rail extension

| PG | Description | Dim mm | Colour | PU | Order no. |
|-----|---------------------------|---------------|--------|------|----------------|
| YPW | Drip rail extension # 260 | 5.1x36.4x3000 | EV 1 | 30 m | P-01877-30-0-1 |

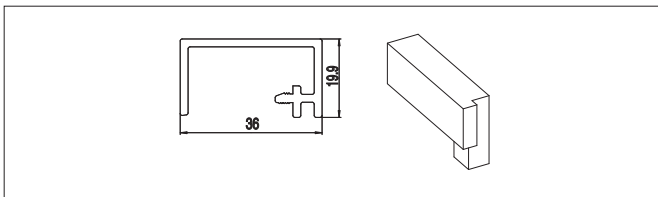
Drip rail extension # 260



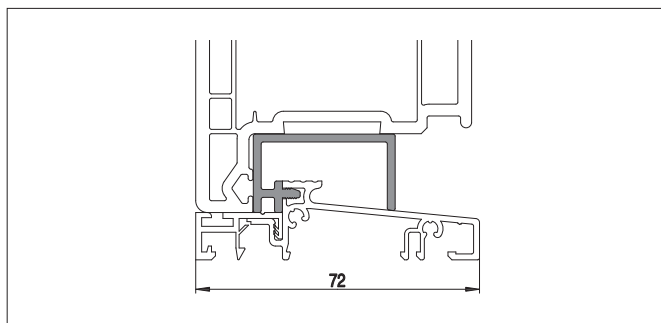
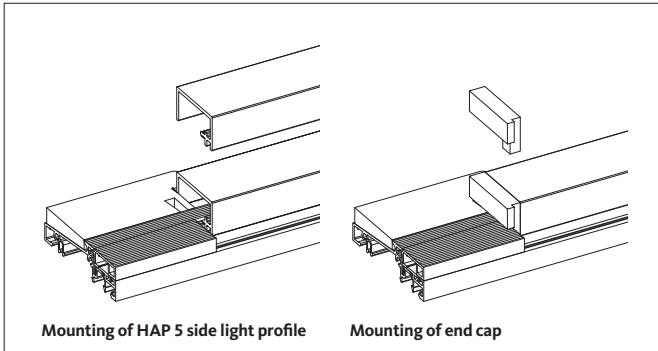
HAP leveling profile of aluminium for fixed side light

- HAP leveling profiles provide for height adjustment between the slant of the threshold and the underside of a fixed side light.
- Moreover, the profiles prevent water from penetrating as far as to the door element frame.
- The slope ensures unhindered water drain.

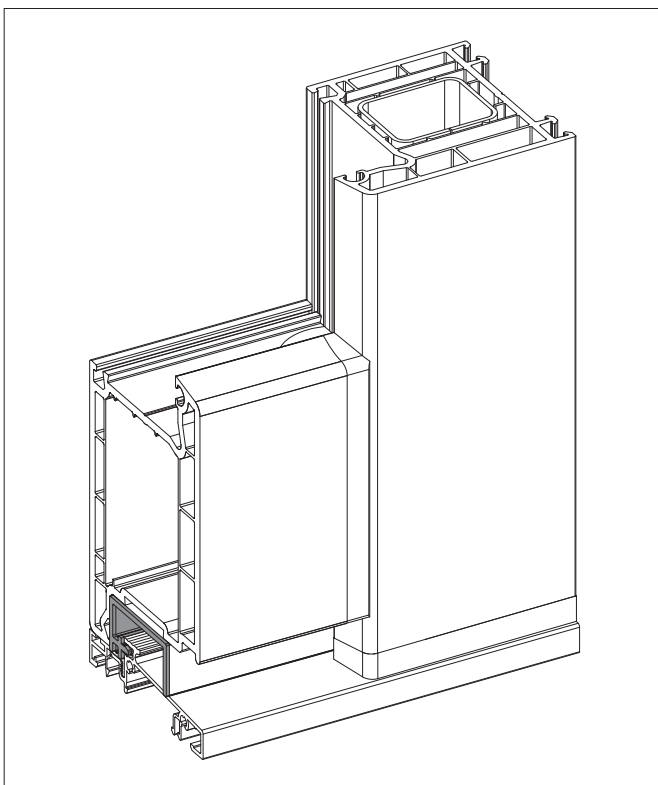
| PG | Description | Colour | PU | Order no. |
|-----|------------------------|--------|--------|----------------|
| YPW | HAP 1 leveling profile | EV 1 | 5 sets | H-00475-00-0-1 |
| | HAP 2 leveling profile | EV 1 | 5 sets | H-00475-01-0-1 |
| | HAP 3 leveling profile | EV 1 | 5 sets | H-00475-02-0-1 |
| | HAP 4 leveling profile | EV 1 | 5 sets | H-00475-03-0-1 |



HAP 5 side light profile, end cap



HAP 5 side light profile for fixed side light

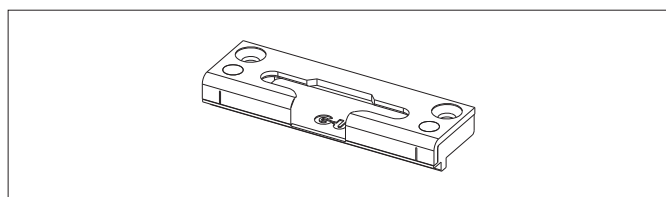


HAP 5 side light profile

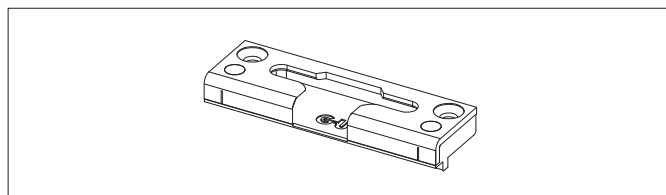
For elements with fixed side lights and continuous threshold
System solution for VEKA elements with fixed side light

- Application: GU system threshold for VEKA elements with fixed side light.
- Uniform appearance of door leaf and fixed side light; almost identical height of horizontal bottom profiles (leaf and side light).
- It is possible to use a standard profile at the bottom of the fixed side light; a special profile from the system supplier is not required.
- At the interior, the side light is flush with threshold and frame.
- No special parts or millings are required for mounting the side light.
- The standard bottom profile is prepared with the standard millings for mullions.
- The milled profile is fastened by means of a threshold-to-mullion connector with screw lug on one side (modified standard connector).
- The HAP 5 side light profile is clipped onto the GU system threshold instead of the cover profile (see sketch).
- The HAP 5 side light profile is sealed towards the vertical frame profile with elastic end caps.
- The lug on threshold-to-frame and threshold-to-mullion connector (facing the side light) is not needed.
- Side light and GU system threshold are firmly connected by bolting through the threshold and the HAP 5 profile from below.

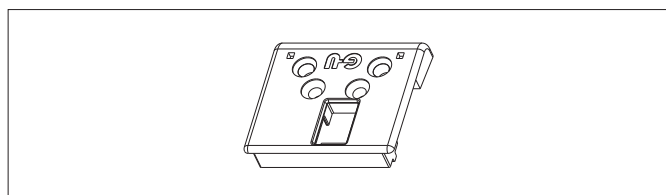
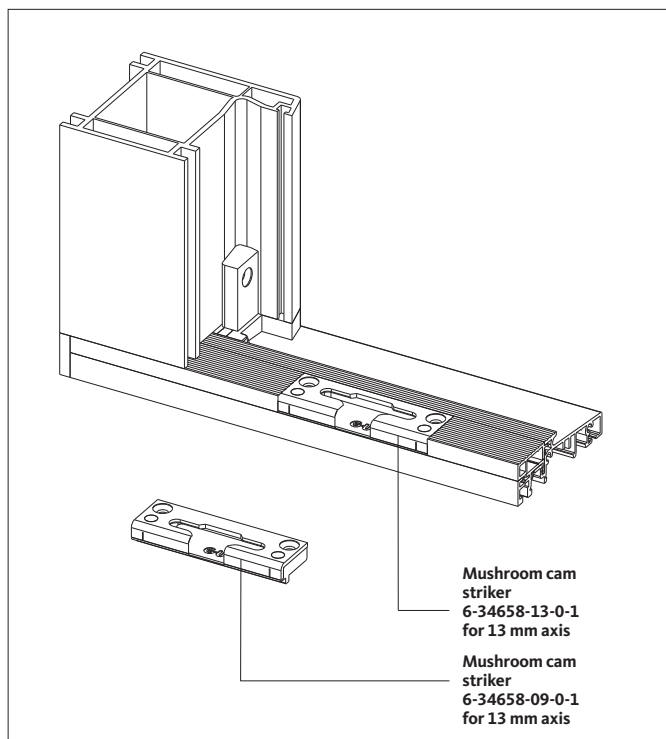
| PG | Description | Dim mm | Colour | PU | Order no. |
|-----|--------------------------|------------------|--------|-----------|----------------|
| YPW | HAP 5 side light profile | 36 x 19.9 x 3000 | EV 1 | 30 m | P-01900-30-0-1 |
| | End cap | | grey | 100 pairs | 9-46488-00-0-1 |



Mushroom cam striker for 9 mm axis



Mushroom cam striker for 13 mm axis



Shoot bolt striker 6-34877-00-0-1

GU strikers and corner drives

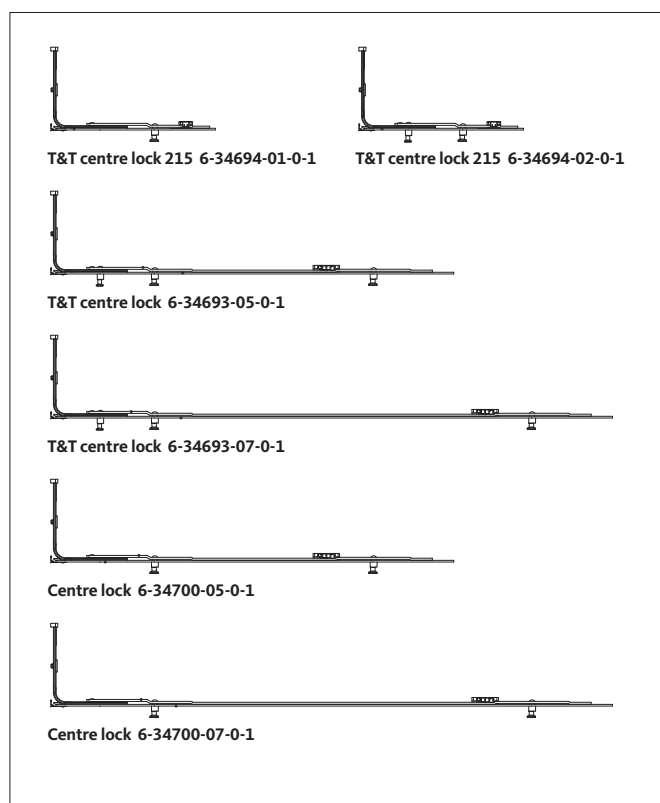
The strikers and corner drives are designed for use with the GU system threshold.

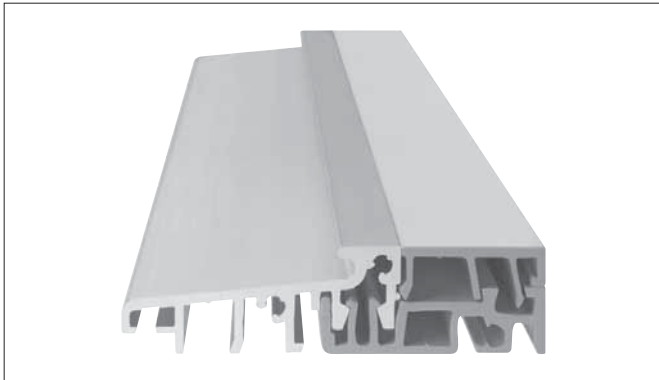
The strikers are flush with the threshold cover, so the threshold height is consistently 20 mm and complies with DIN 18040 ("Barrier-free dwellings").

The strikers are suitable for use with timber and PVC elements with 9 or 13 mm hardware axis.

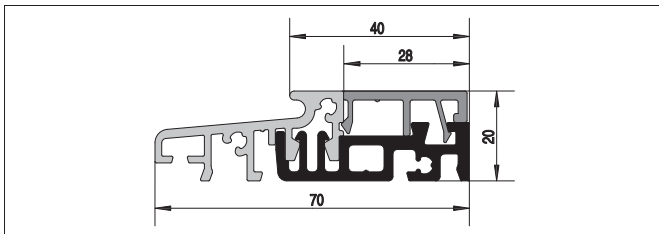
Especially designed for the use with the GU system threshold, the corner drives are provided with a higher mushroom cam that bridges the 10 mm clearance easily. They feature the same adjustment and connection possibilities as the standard corner drives.

| PG | Description | Hardware axis mm | PU | Order no. |
|-----|---|------------------|---------|----------------|
| D00 | Mushroom cam striker for 9 mm axis | 9 | 100 pcs | 6-34658-09-0-1 |
| D00 | Mushroom cam striker for 13 mm axis | 13 | 100 pcs | 6-34658-13-0-1 |
| D00 | T&T centre lock 215 for GU system threshold | | 10 pcs | 6-34694-01-0-1 |
| D00 | T&T centre lock 215 for GU system threshold | | 10 pcs | 6-34694-02-0-1 |
| D00 | T&T centre lock for GU system threshold | | 10 pcs | 6-34693-05-0-1 |
| D00 | T&T centre lock for GU system threshold | | 10 pcs | 6-34693-07-0-1 |
| D00 | Centre lock for GU system threshold | | 10 pcs | 6-34700-05-0-1 |
| D00 | Centre lock for GU system threshold | | 10 pcs | 6-34700-07-0-1 |
| L00 | Shoot bolt striker for GU system threshold | | 100 pcs | 6-34877-00-0-1 |

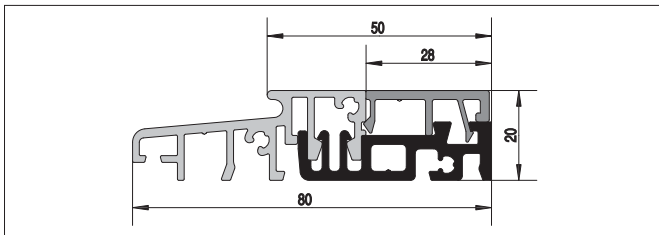




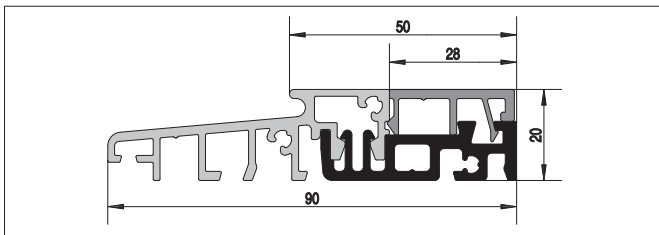
DKS threshold for balcony-doors



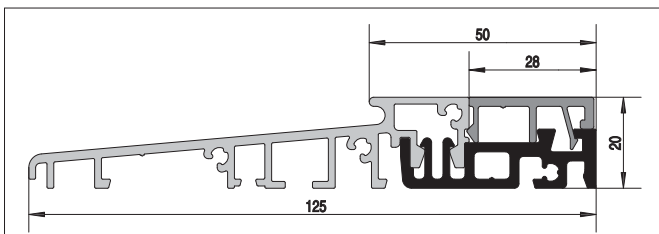
DKS 1.1.0 threshold – 6-32326-00-0-1



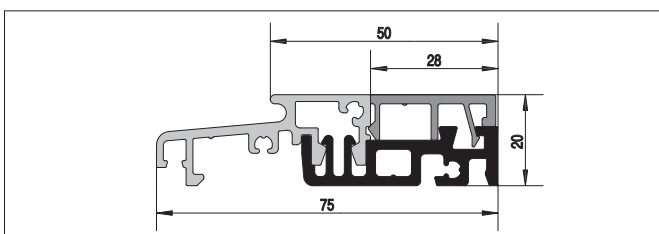
DKS 2.1.0 threshold – 6-32306-00-0-1



DKS 3.1.0 threshold – 6-32803-00-0-1



DKS 4.1.0 threshold – 6-32804-00-0-1



DKS 6.1.0 threshold – 6-32983-00-0-1

DKS thresholds for PVC balcony-doors

| PG | Description | Dim mm | Colour | PU | Order no. |
|-----|---|----------|--------|------|----------------|
| YPS | DKS 1.1.0 threshold with base profile and cover profile 6000 mm stock length | 70 x 20 | grey | 30 m | 6-32326-00-0-1 |
| YPS | DKS 2.1.0 threshold with base profile and cover profile 6000 mm stock length | 80 x 20 | grey | 30 m | 6-32306-00-0-1 |
| YPS | DKS 3.1.0 threshold with base profile and cover profile 6000 mm stock length | 90 x 20 | grey | 30 m | 6-32803-00-0-1 |
| YPS | DKS 4.1.0 threshold with base profile and cover profile 6000 mm stock length | 125 x 20 | grey | 30 m | 6-32804-00-0-1 |
| YPS | DKS 6.1.0 threshold with base profile and cover profile 6000 mm stock length | 75 x 20 | grey | 30 m | 6-32983-00-0-1 |
| YPS | DKS 7.1.0 threshold with base profile and cover profile 6000 mm stock length | 80 x 20 | grey | 30 m | 6-34158-00-0-1 |

DKS thresholds for balcony-doors to DIN 18040 ('Barrier-free Dwellings')

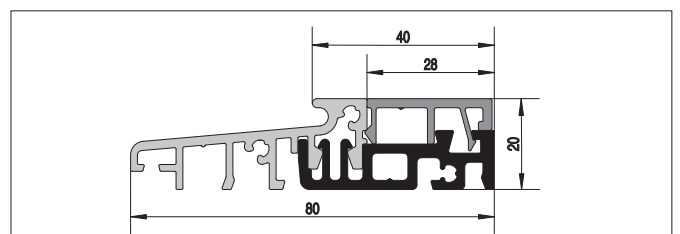
In accordance with the requirements stipulated by DIN 18040, the height of door thresholds must not exceed 20 mm.

DKS thresholds not only meet this requirement, but also offer added living comfort, especially in the context of barrier-free construction.

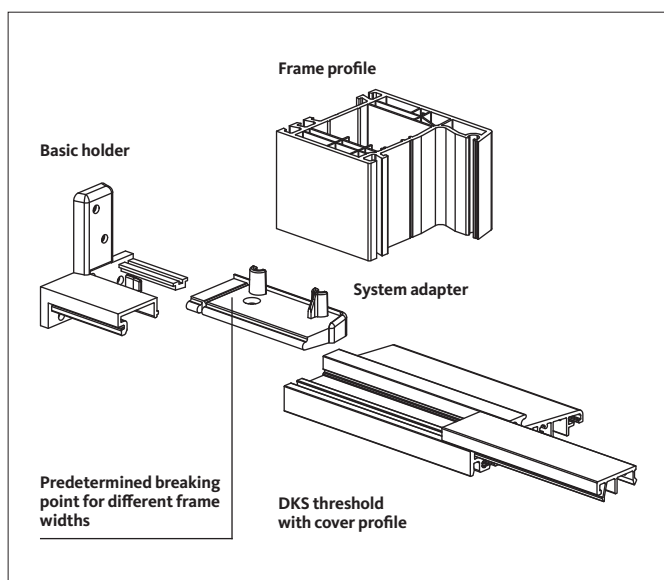


Features and benefits

- All threshold versions are thermally broken, thus avoiding condensation formation on the inside.
- Not only GU strikers can be mounted on GU thresholds but strikers from all manufacturers of the trade.
For better appearance, a filler piece is placed between cover profile and striker.
- The fastening screws of the pivot rest (door hardware) must reach through the threshold-to-frame connector and the steel reinforcement; for this it is necessary that steel and PVC profile be flush.
- Frame and threshold are cut at a right angle. The frame rests on the threshold, the threshold-to-frame connectors ensure a force-fit connection.
- In new buildings, clip-on extension profiles compensate for the height differences between unfinished ceiling and finished floor level.
- Closing profiles with integrated brush seal provide a second sealing level.



DKS 7.1.0 threshold – 6-34158-00-0-1



DKH threshold-to-frame connector

DKH threshold-to-frame connector

| PG | Description | Colour | PU | Order no. |
|-----|---|--------|---------|----------------|
| YPS | DKH TTF connector for DKS 1.1.0 threshold | | | |
| | Universal | grey | 5 pairs | H-01004-00-0-1 |
| | Aluplast series 12/13 | grey | 5 pairs | H-01001-00-0-1 |
| | Roplasto 2108/02, 2109/03 | grey | 5 pairs | H-01003-00-0-1 |
| YPS | DKH TTF connector for DKS 2.1.0, DKS 3.1.0, DKS 4.1.0 thresholds | | | |
| | Aluplast series 14/15 | grey | 5 pairs | H-01000-00-0-1 |
| | Aluplast 160003 | grey | 5 pairs | H-01005-00-0-1 |
| | Brüggmann serie AD | grey | 5 pairs | H-01028-00-0-1 |
| | Gealan 7000, Gealan 8000 | grey | 5 pairs | H-01023-00-0-1 |
| | Kömmerling Classic, Futur | grey | 5 pairs | H-01010-00-0-1 |
| | KBE AD | grey | 5 pairs | H-01015-00-0-1 |
| | Rehau Brillant | grey | 5 pairs | H-01016-00-0-1 |
| | Salamander Streamline 250220/230 | grey | 5 pairs | H-01002-00-0-1 |
| | Thyssen Prestige LD | grey | 5 pairs | H-01024-00-0-1 |
| | Veka centre gasket | grey | 5 pairs | H-01022-00-0-1 |
| | Veka Universal AD | grey | 5 pairs | H-01017-00-0-1 |

DKH threshold-to-mullion connector

| PG | Description | Colour | PU | Order no. |
|-----|--|--------|-------|----------------|
| YPS | DKH TTM connector for DKS threshold | | | |
| | Aluplast 160043 | grey | 5 pcs | H-01009-00-0-1 |
| | Aluplast 120041/42 | grey | 5 pcs | H-01011-00-0-1 |
| | Aluplast 140045/150043/150044 | grey | 5 pcs | H-01012-00-0-1 |
| | Aluplast 140041/140044/150041 | grey | 5 pcs | H-01013-00-0-1 |
| | Aluplast 120043 | grey | 5 pcs | H-01014-00-0-1 |
| | Gealan 8040 | grey | 5 pcs | H-01025-00-0-1 |
| | Gealan 8043 | grey | 5 pcs | H-01025-01-0-1 |

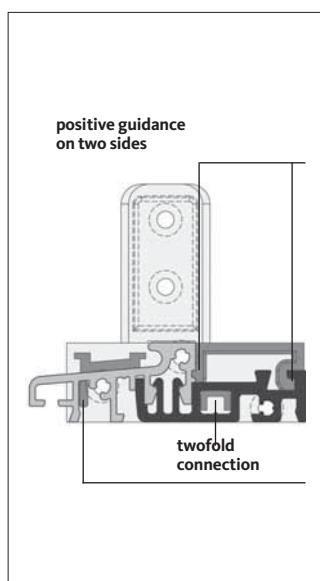
Installation advice

- The threshold profile – without cover profile – is cropped to the width of the door (minus 9 mm in the case of connectors flush with the profile).
- The frame profile is cropped by 20 mm (at a right angle).
- The system caps must be adapted to the system profile before they are pushed onto the basic holder.
- The complete holder is plugged onto the threshold (positive guidance) and fixed with screws.
- The threshold is firmly bolted to the frame.
- An extension, if required (from GU or from profile system manufacturer), is clipped under the threshold.
- The complete door element must be sealed and fastened in compliance with the RAL installation directives.

Installation advice

To ensure the proper functioning of a Tilt&Turn or Turn-Only door, it is necessary to observe the following installation advice:

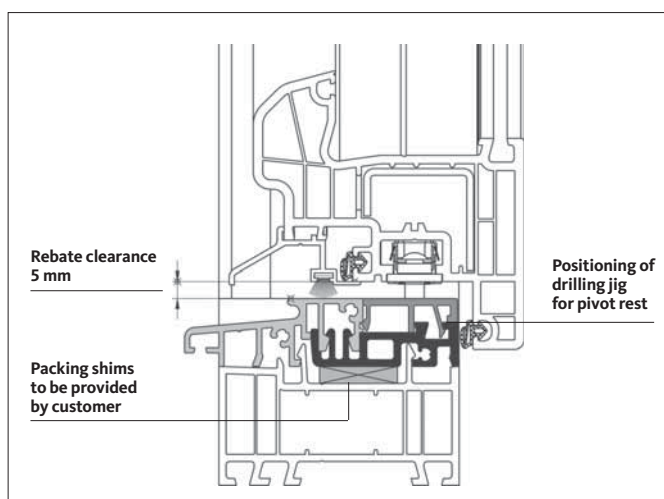
- **The clearance between bottom sash profile and DKS threshold must be 5 mm.**
- If a DKS threshold is installed in a new building, it is necessary to use (customer-provided) shims between base profile and extension profile.
- In order to ensure a 5 mm clearance, the drilling jig for the EURO-JET pivot rest (adjusted to 12 mm clearance) must be applied to the base profile and not to the filler piece. Cover profile and filler piece must be clipped on afterwards.



DKH threshold-to-frame connector

The DKH threshold-to-frame connector serves as adapter between DKS threshold and individual frame profile:

- efficient manufacture due to simple rectangular cutting of threshold and PVC or timber profiles
- positive guidance on two sides and twofold mortising in aluminium drip rail and base profile
- high static values due to steel reinforcement
- high impact resistance
- UV-resistant

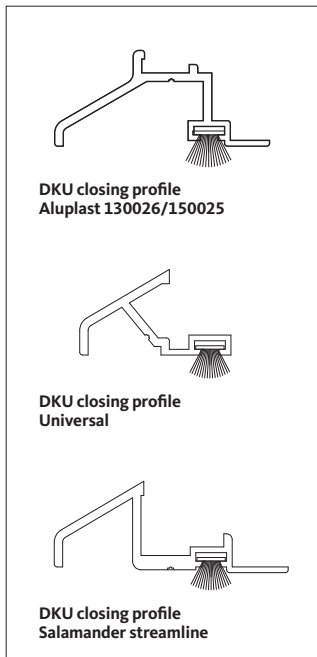


DKS thresholds

Closing profile, extension profile, cover profile, filler piece, striker and T&T striker

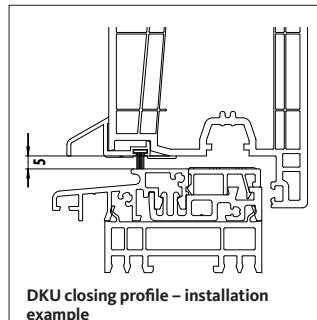


D



DKU closing profile

The system-specific closing profile with brush seal for 5 mm clearance, which is bolted onto the bottom sash profile, provides a second sealing level. This keeps the threshold safe from driving rain, moisture, dust and draughts.



DKU closing profile, DKA/DKS extension profiles

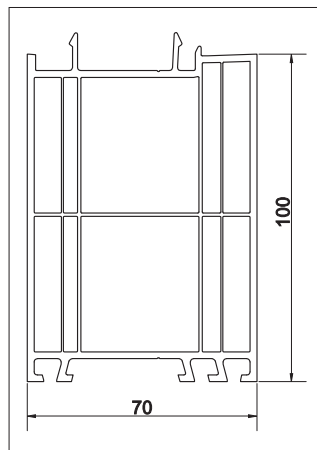
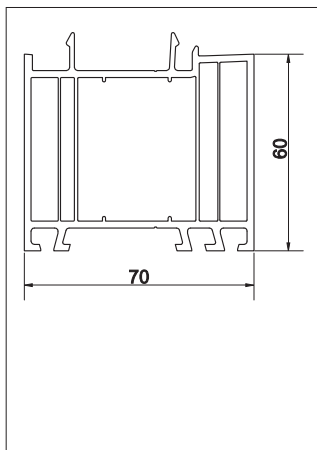
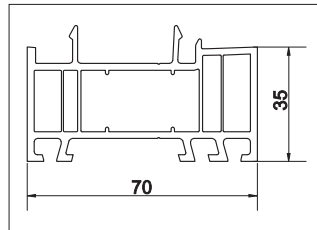
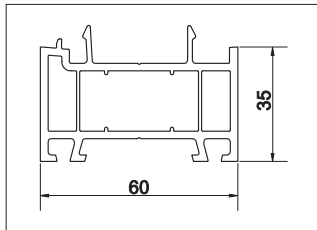
| PG | Description | Dim mm | Colour | PU | Order no. |
|-----|---|---|----------------------------------|------------------------------|--|
| YPS | DKU closing profile | 1200 | | | |
| | Universal | | grey brown white | 25 pcs 25 pcs 25 pcs | 9-42791-00-0-1* 9-42791-00-0-5* 9-42791-00-0-7* |
| | Aluplast Sash profiles 130026/150025 | | grey brown white | 25 pcs 25 pcs 25 pcs | 9-42545-00-0-1* 9-42545-00-0-5* 9-42545-00-0-7* |
| | Salamander Streamline | | grey brown white | 25 pcs 25 pcs 25 pcs | 9-42560-00-0-1* 9-42560-00-0-5* 9-42560-00-0-7* |
| YPS | DKA extension profile | 35 x 60 35 x 70 60 x 70 100 x 70 | white white white white | 30 m 30 m 30 m 30 m | H-01006-35-0-7 H-01007-35-0-7 H-01007-60-0-7 H-01007-10-0-7 |
| YPS | DKS extension profile | 20 60 100 | white white white | 30 m 30 m 30 m | H-01008-20-0-7 H-01008-60-0-7 H-01008-10-0-7 |

* = made to measure when ordered with size -98-, max. length 3000 mm

Cover profile, filler piece, DKS striker and DKS T&T striker

| PG | Description | Dim mm | Colour | PU | Order no. |
|-----|---------------------------------------|----------|--------|----------|----------------|
| YPS | Cover profile 3000 mm stock length | | grey | 18 m | 9-42368-00-0-1 |
| YPS | Filler piece, 55 mm length | | grey | 50 pairs | 9-42610-00-0-1 |
| D0 | DKS striker | axis 13* | | 100 pcs | 6-32541-00-0-1 |
| | DKS T&T striker | axis 13* | | 100 pcs | 6-32540-00-0-1 |
| | DKS striker | axis 9* | | 100 pcs | 6-32699-00-0-1 |
| | DKS T&T striker | axis 9* | | 100 pcs | 6-32700-00-0-1 |
| D0 | DKS striker | axis 13* | | 100 pcs | 6-32584-00-0-1 |
| YPS | Adapter for timber | axis 13* | | 1 pc | 9-43106-13-0-1 |
| D0 | DKS striker | axis 9* | | 100 pcs | 6-32207-18-0-1 |
| YPS | Adapter for timber | axis 9* | | 1 pc | 9-43106-09-0-1 |

* = hardware axis



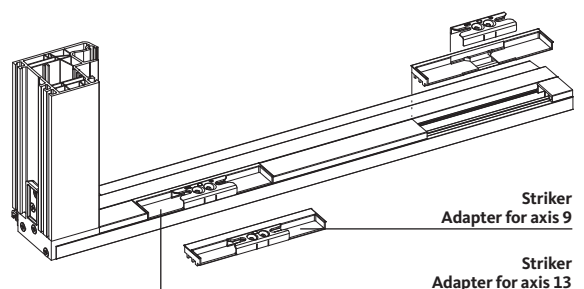
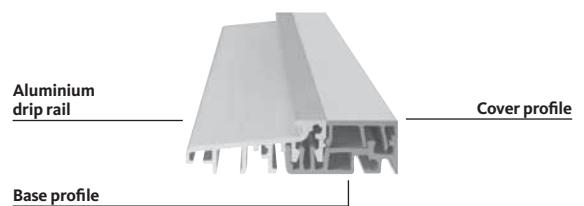
DKA extension profile

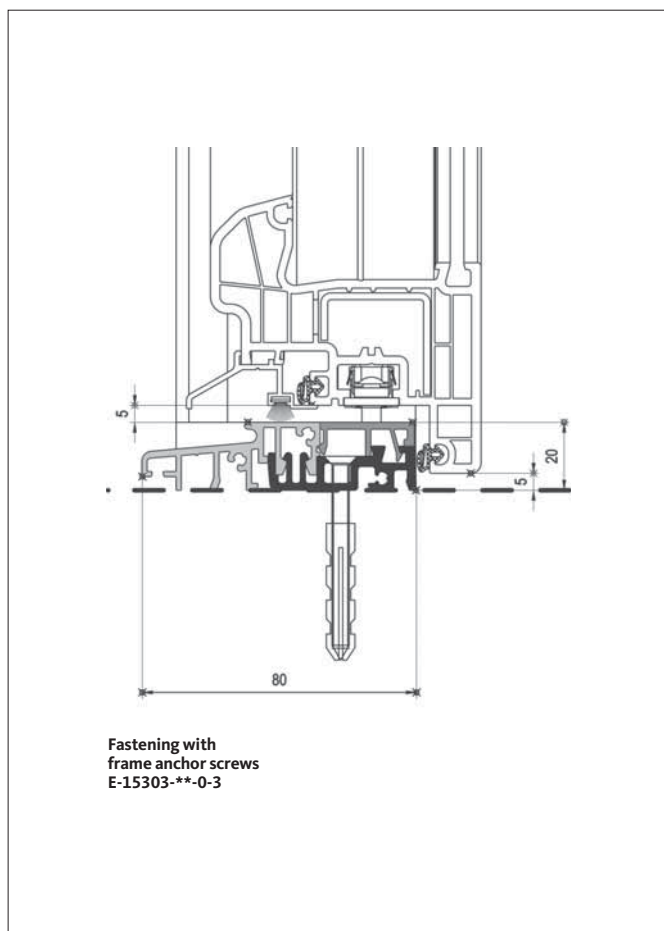
The clip-on extension profiles are suitable for use in new construction and come with a height of 35, 60 or 100 mm; they provide thermal insulation in the connection area between door and building structure.

Application

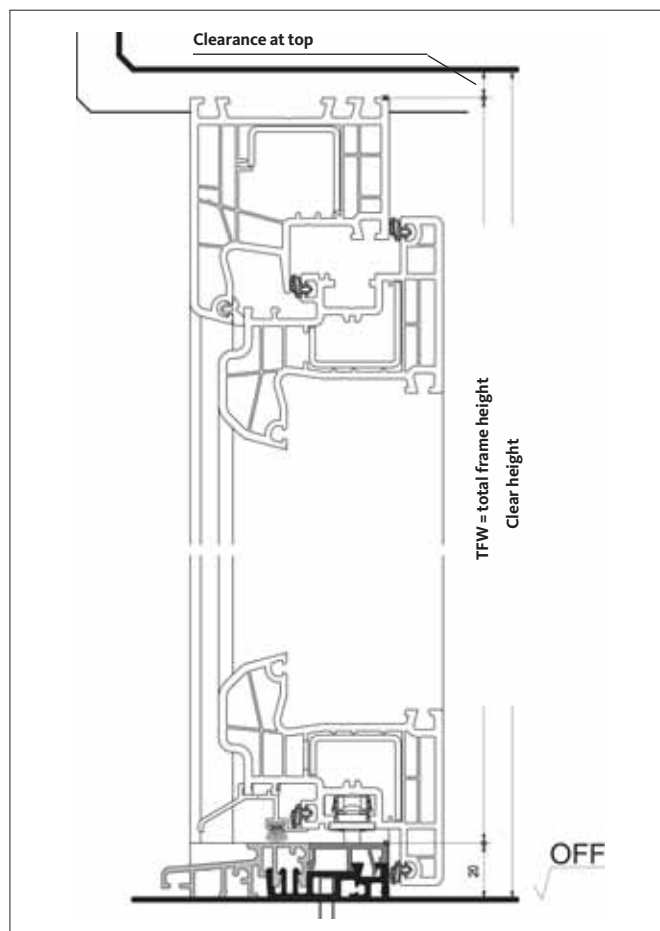
DKA extension profiles are suitable for all GU DKS thresholds.

Main components of a DKS threshold





DKS threshold – installation in old building
Sealing against building in accordance with DIN



TFH = clear height minus clearance at top minus 20 mm

HTS thresholds

HTS aluminium thresholds for house entrance doors



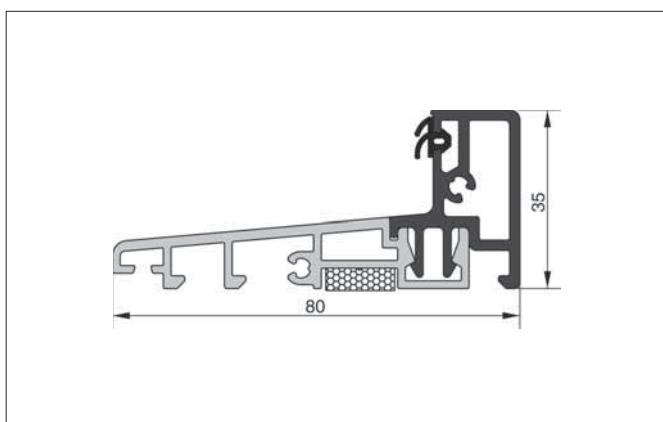
D

HTS aluminium thresholds for PVC house entrance doors – outward-opening

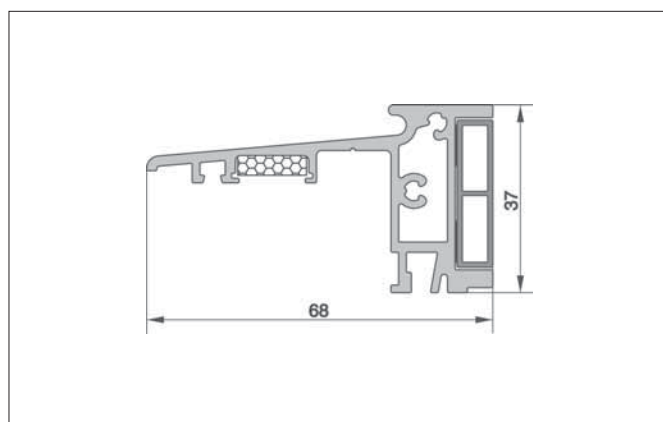
| PG | Description | Dim mm | Colour | PU | Order no. |
|-----|---------------------------------------|---------|-------------|------|----------------|
| YPS | HTS 23.1.1 threshold thermally broken | 80 x 35 | silver grey | 30 m | 6-32800-01-0-1 |
| YPS | HTS 23.1.0 threshold thermally broken | 80 x 35 | silver grey | 30 m | 6-32800-00-0-1 |

HTS aluminium thresholds for PVC house entrance doors (thresholds not in compliance with EnEV)

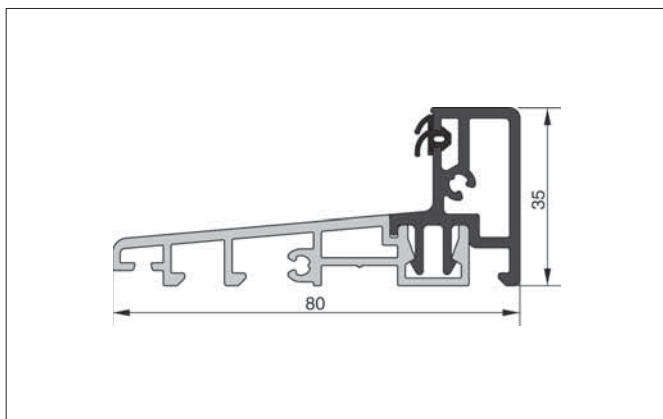
| PG | Description | Dim mm | Colour | PU | Order no. |
|-----|---|---------|----------------|------|----------------------------------|
| YPS | HTS 1.0.1 threshold thermally insulated | 68 x 37 | black white | 30 m | H-00468-00-0-6 H-00468-00-0-7 |
| YPS | HTS 1.0.0 threshold thermally insulated | 68 x 37 | black white | 30 m | H-00497-00-0-6 H-00497-00-0-7 |



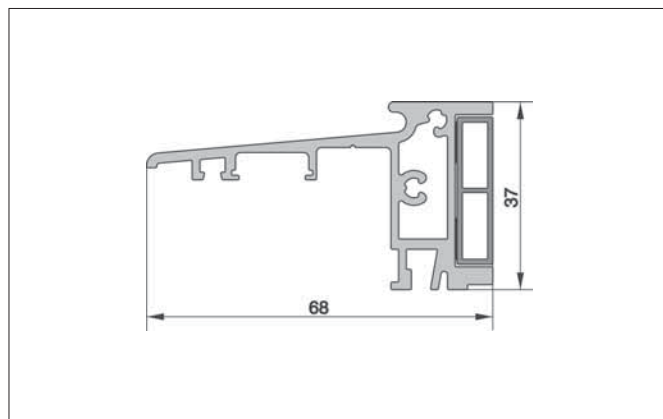
HTS 23.1.1 threshold – 6-32800-01-0-1 (outward-opening doors)



HTS 1.0.1 threshold – H-00468-00-0-*



HTS 23.1.0 threshold – 6-32800-00-0-1 (outward-opening doors)



HTS 1.0.0 threshold – H-00497-00-0-*

Features and benefits

- Comfortable threshold-to-frame connection (refer to page 129 "outward-opening")
- Pre-compressed sealing tape against cold ingress
- HB 220 anti-moisture foil protects the building structure

Pre-compressed sealing tape:

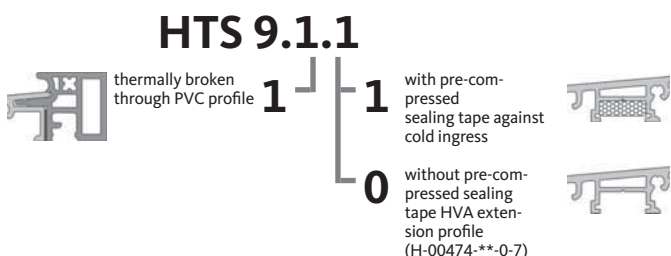
Thresholds should always be sealed from underneath, e.g. with a pre-compressed sealing tape providing

- protection against draughts
- driving rain resistance
- protection from ingress of cold
- protection from dust and other soilings

For thresholds fitted with a pre-compressed sealing tape: remove compressive film before installing the threshold.

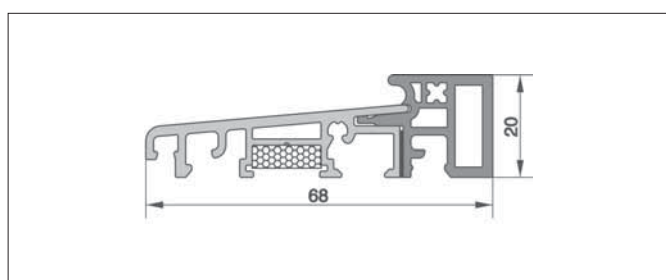


Explanation of type designation

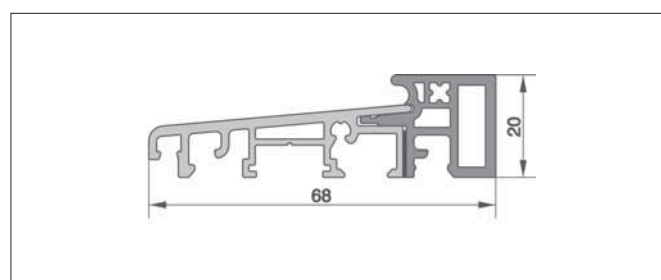


HTS aluminium thresholds for house entrance doors

| PG | Description | Dim mm | Colour | PU | Order no. |
|-----|--------------------------------------|---------|----------------------|--------------|----------------------------------|
| YPS | HTS 9.1.1 threshold thermally broken | 68 x 20 | silver grey black | 30 m 30 m | H-00465-01-0-1 H-00465-01-0-6 |
| YPS | HTS 9.1.0 threshold thermally broken | 68 x 20 | silver grey black | 30 m 30 m | H-00487-01-0-1 H-00487-01-0-6 |



HTS 9.1.1 threshold – H-00465-01-0-*



HTS 9.1.0 threshold – H-00487-01-0-*

Features and benefits

- Comfortable threshold-to-frame connection (refer to page 127)
- Pre-compressed sealing tape against cold ingress
- Vertical extension by means of HVA extension profiles
- HB 220 anti-moisture foil protects the building structure

Thermal break through PVC profile

- No condensation on the inside
- Good thermal insulation
- Sealing against moisture

Pre-compressed sealing tape:

Thresholds should always be sealed from underneath, e.g. with a pre-compressed sealing tape providing

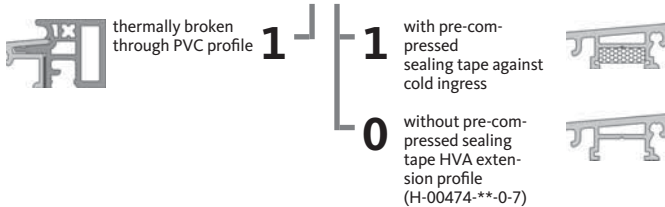
- protection against draughts
- driving rain resistance
- protection from ingress of cold
- protection from dust and other soilings

For thresholds fitted with a pre-compressed sealing tape: remove compressive film before installing the threshold.



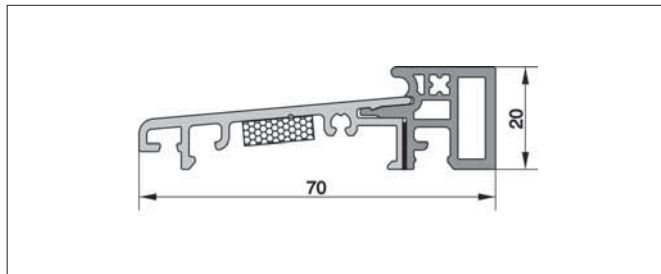
Explanation of type designation

HTS 19.1.1

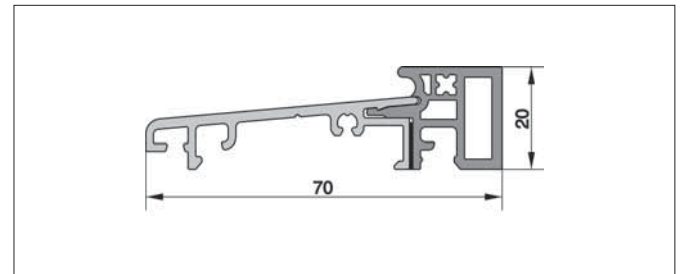


HTS aluminium thresholds for house entrance doors

| PG | Description | Dim mm | Colour | PU | Order no. |
|-----|---------------------------------------|---------|----------------------|--------------|----------------------------------|
| YPS | HTS 19.1.1 threshold thermally broken | 70 x 20 | silver grey black | 30 m 30 m | H-00489-01-0-1 H-00489-01-0-6 |
| YPS | HTS 19.1.0 threshold thermally broken | 70 x 20 | silver grey black | 30 m 30 m | H-00489-03-0-1 H-00489-03-0-6 |



HTS 19.1.1 threshold – H-00489-01-0-*



HTS 19.1.0 threshold – H-00489-03-0-*

Features and benefits

- Comfortable threshold-to-frame connection (refer to page 127)
- Pre-compressed sealing tape against cold ingress
- Vertical extension by means of HVA extension profiles
- HB 220 anti-moisture foil protects the building structure

Thermal break through PVC profile

- No condensation on the inside
- Good thermal insulation
- Sealing against moisture

Pre-compressed sealing tape:

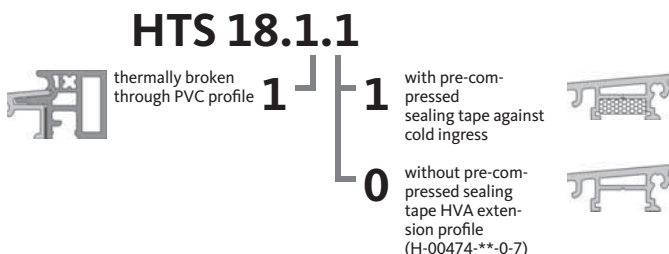
Thresholds should always be sealed from underneath, e.g. with a pre-compressed sealing tape providing

- protection against draughts
- driving rain resistance
- protection from ingress of cold
- protection from dust and other soilings

For thresholds fitted with a pre-compressed sealing tape: remove compressive film before installing the threshold.

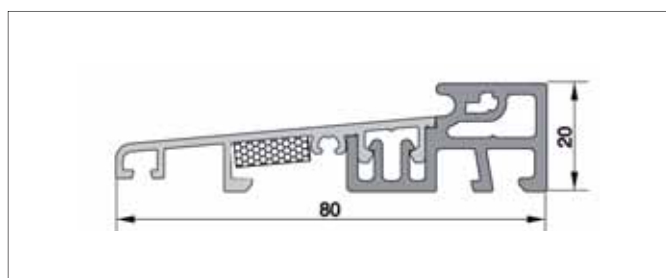


Explanation of type designation

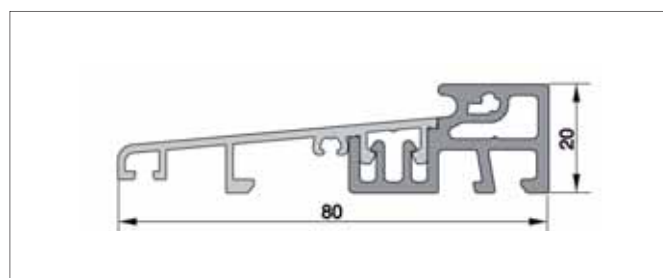


HTS aluminium thresholds for house entrance doors

| PG | Description | Dim mm | Colour | PU | Order no. |
|-----|---------------------------------------|---------|-------------|------|----------------|
| YPS | HTS 18.1.1 threshold thermally broken | 80 x 20 | silver grey | 30 m | H-00488-01-0-1 |
| | | | black | 30 m | H-00488-01-0-6 |
| YPS | HTS 18.1.0 threshold thermally broken | 80 x 20 | silver grey | 30 m | H-00488-03-0-1 |
| | | | black | 30 m | H-00488-03-0-6 |



HTS 18.1.1 threshold – H-00488-01-0-*



HTS 18.1.0 threshold – H-00488-03-0-*

Features and benefits

- Comfortable threshold-to-frame connection (refer to page 127)
- Pre-compressed sealing tape against cold ingress
- Vertical extension by means of HVA extension profiles
- HB 220 anti-moisture foil protects the building structure

Thermal break through PVC profile

- No condensation on the inside
- Good thermal insulation
- Sealing against moisture

Pre-compressed sealing tape:

Thresholds should always be sealed from underneath, e.g. with a pre-compressed sealing tape providing

- protection against draughts
- driving rain resistance
- protection from ingress of cold
- protection from dust and other soilings

For thresholds fitted with a pre-compressed sealing tape: remove compressive film before installing the threshold.



Explanation of type designation

HTS 4.1.1



thermally broken through PVC profile

1

1

with pre-compressed sealing tape against cold ingress



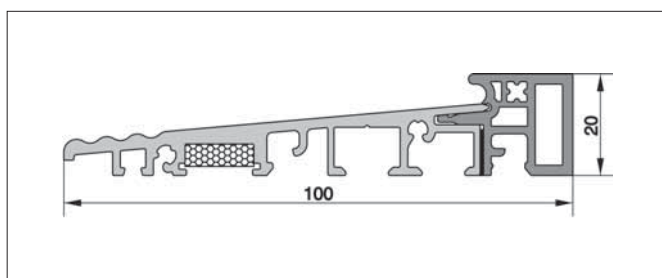
0

without pre-compressed sealing tape HVA extension profile (H-00474-**-0-7)

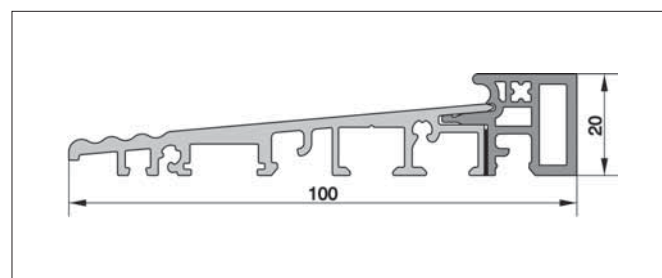


HTS aluminium thresholds for house entrance doors

| PG | Description | Dim mm | Colour | PU | Order no. |
|-----|--------------------------------------|----------|----------------------|--------------|----------------------------------|
| YPS | HTS 4.1.1 threshold thermally broken | 100 x 20 | silver grey black | 24 m 24 m | H-00483-01-0-1 H-00483-01-0-6 |
| YPS | HTS 4.1.0 threshold thermally broken | 100 x 20 | silver grey black | 24 m 24 m | H-00483-03-0-1 H-00483-03-0-6 |



HTS 4.1.1 threshold – H-00483-01-0-*



HTS 4.1.0 threshold – H-00483-03-0-*

Features and benefits

- Comfortable threshold-to-frame connection (refer to page 127)
- Pre-compressed sealing tape against cold ingress
- Vertical extension by means of HVA extension profiles
- HB 220 anti-moisture foil protects the building structure

Thermal break through PVC profile

- No condensation on the inside
- Good thermal insulation
- Sealing against moisture

Pre-compressed sealing tape:

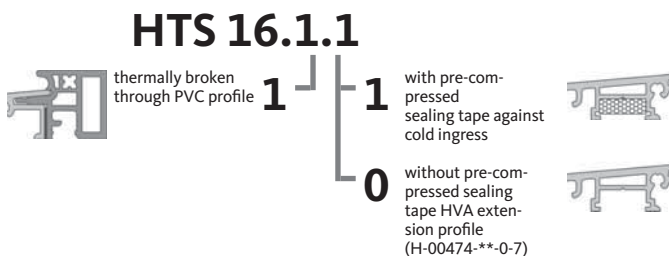
Thresholds should always be sealed from underneath, e.g. with a pre-compressed sealing tape providing

- protection against draughts
- driving rain resistance
- protection from ingress of cold
- protection from dust and other soiling

For thresholds fitted with a pre-compressed sealing tape: remove compressive film before installing the threshold.

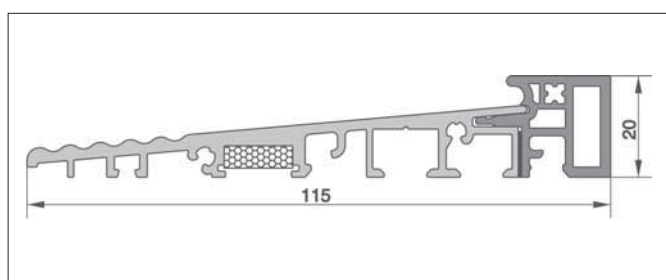


Explanation of type designation

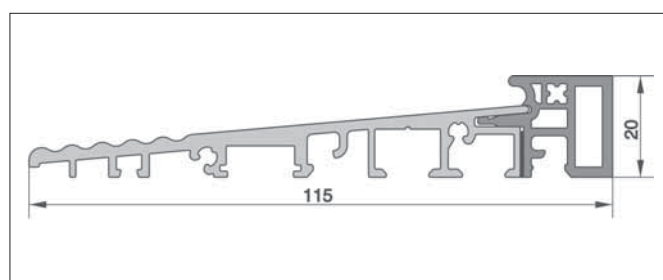


HTS aluminium thresholds for house entrance doors

| PG | Description | Dim mm | Colour | PU | Order no. |
|-----|---------------------------------------|----------|----------------------|--------------|----------------------------------|
| YPS | HTS 16.1.1 threshold thermally broken | 115 x 20 | silver grey black | 24 m 24 m | H-00464-02-0-1 H-00464-02-0-6 |
| YPS | HTS 16.1.0 threshold thermally broken | 115 x 20 | silver grey black | 24 m 24 m | H-00464-04-0-1 H-00464-04-0-6 |



HTS 16.1.1 threshold – H-00464-02-0-*



HTS 16.1.0 threshold – H-00464-04-0-*

Features and benefits

- Comfortable threshold-to-frame connection (refer to page 127)
- Pre-compressed sealing tape against cold ingress
- Vertical extension by means of HVA extension profiles
- HB 220 anti-moisture foil protects the building structure

Thermal break through PVC profile

- No condensation on the inside
- Good thermal insulation
- Sealing against moisture

Pre-compressed sealing tape:

Thresholds should always be sealed from underneath, e.g. with a pre-compressed sealing tape providing

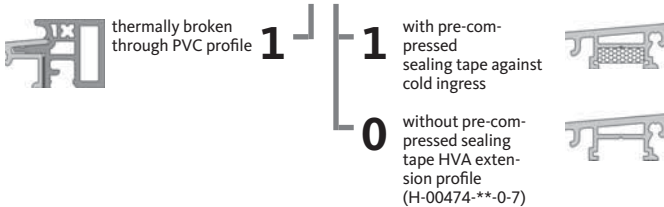
- protection against draughts
- driving rain resistance
- protection from ingress of cold
- protection from dust and other soilings

For thresholds fitted with a pre-compressed sealing tape: remove compressive film before installing the threshold.



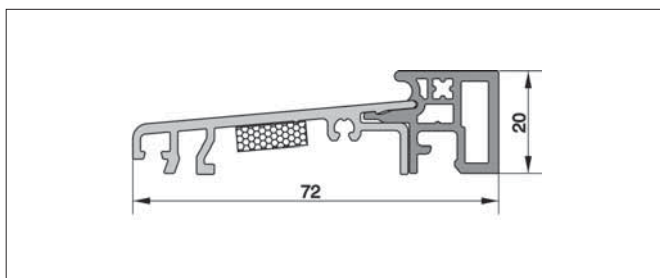
Explanation of type designation

HTS 20.1.1

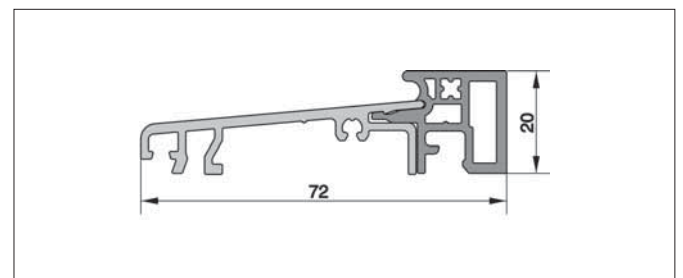


HTS aluminium thresholds for house entrance doors – KBE and Salamander profile systems

| PG | Description | Dim mm | Colour | PU | Order no. |
|-----|---------------------------------------|---------|----------------------|--------------|----------------------------------|
| YPS | HTS 20.1.1 threshold thermally broken | 72 x 20 | silver grey black | 30 m 30 m | H-00499-03-0-1 H-00499-03-0-6 |
| YPS | HTS 20.1.0 threshold thermally broken | 72 x 20 | silver grey black | 30 m 30 m | H-00499-01-0-1 H-00499-01-0-6 |



HTS 20.1.1 threshold – H-00499-03-0-*



HTS 20.1.0 threshold – H-00499-01-0-*

Features and benefits

- Comfortable threshold-to-frame connection (refer to page 127)
- Pre-compressed sealing tape against cold ingress
- Vertical extension by means of HVA extension profiles
- HB 220 anti-moisture foil protects the building structure

Thermal break through PVC profile

- No condensation on the inside
- Good thermal insulation
- Sealing against moisture

Pre-compressed sealing tape:

Thresholds should always be sealed from underneath, e.g. with a pre-compressed sealing tape providing

- protection against draughts
- driving rain resistance
- protection from ingress of cold
- protection from dust and other soilings

For thresholds fitted with a pre-compressed sealing tape: remove compressive film before installing the threshold.

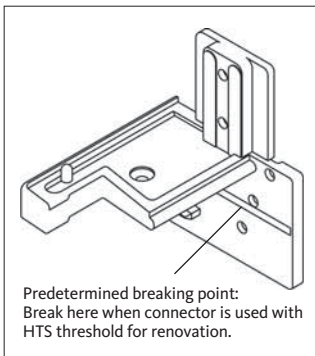


| PG YPS | Description Profile system | Colour | PU | Order no. |
|--------|----------------------------|-------------|---------|-----------------|
| | Aluplast 120002 | black | 5 pairs | H-00076-02-0-6 |
| | Aluplast 120002 | white | 5 pairs | H-00076-02-0-7 |
| | Aluplast 120003 | black | 5 pairs | H-00076-03-0-6 |
| | Aluplast 120003 | white | 5 pairs | H-00076-03-0-7 |
| | Aluplast 120004 | black | 5 pairs | H-00076-43-0-6 |
| | Aluplast 120004 | white | 5 pairs | H-00076-43-0-7 |
| | Aluplast 140002 | black | 5 pairs | H-00076-48-0-6* |
| | Aluplast 140002 | white | 5 pairs | H-00076-48-0-7* |
| | Aluplast 140003 | black | 5 pairs | H-00076-47-0-6* |
| | Aluplast 140003 | white | 5 pairs | H-00076-47-0-7* |
| | Aluplast Signum 686278 | black | 5 pairs | H-00076-75-0-6 |
| | Aluplast Signum 686278 | white | 5 pairs | H-00076-75-0-7 |
| | Aluplast Signum 686278 | silver grey | 5 pairs | H-00076-75-0-1 |
| | Brüggmann AD HP 104 | black | 5 pairs | H-00076-65-0-6 |
| | Brüggmann AD HP 104 | white | 5 pairs | H-00076-65-0-7 |
| | Brüggmann AD HP 103 | black | 5 pairs | H-00076-69-0-6 |
| | Brüggmann AD HP 103 | white | 5 pairs | H-00076-69-0-7 |
| | Deceuninck P 2000 | black | 5 pairs | H-00076-06-0-6 |
| | Deceuninck P 2000 | white | 5 pairs | H-00076-06-0-7 |
| | Deceuninck P 2002 | black | 5 pairs | H-00076-07-0-6 |
| | Deceuninck P 2002 | white | 5 pairs | H-00076-07-0-7 |
| | Deceuninck/Wymar 3er Serie | black | 5 pairs | H-00076-92-0-6 |
| | Deceuninck/Wymar 3er Serie | white | 5 pairs | H-00076-92-0-7 |
| | Dimex 2101 | black | 5 pairs | H-00076-88-0-6 |
| | Dimex 2101 | white | 5 pairs | H-00076-88-0-7 |
| | Forris BR 002 | black | 5 pairs | H-00076-89-0-6 |
| | Forris BR 002 | white | 5 pairs | H-00076-89-0-7 |
| | Gealan S 8011 | black | 5 pairs | H-00076-70-0-6 |
| | Gealan S 8011 | white | 5 pairs | H-00076-70-0-7 |
| | Gealan S 8014 | black | 5 pairs | H-00076-71-0-6 |
| | Gealan S 8014 | white | 5 pairs | H-00076-71-0-7 |
| | Gealan 3008 | black | 5 pairs | H-00076-51-0-6 |
| | Gealan 3008 | white | 5 pairs | H-00076-51-0-7 |
| | Gealan 3011 | black | 5 pairs | H-00076-52-0-6 |
| | Gealan 3011 | white | 5 pairs | H-00076-52-0-7 |
| | KBE AD R 370 | black | 5 pairs | H-00076-67-0-6 |
| | KBE AD R 370 | white | 5 pairs | H-00076-67-0-7 |
| | KBE AD R 370 | silver grey | 5 pairs | H-00076-67-0-1 |
| | KBE AD R 371 | black | 5 pairs | H-00076-74-0-6 |
| | KBE AD R 371 | white | 5 pairs | H-00076-74-0-7 |
| | KBE AD R 371 | silver grey | 5 pairs | H-00076-74-0-1 |
| | KBE 106/306 | black | 5 pairs | H-00076-08-0-6 |
| | KBE 106/306 | white | 5 pairs | H-00076-08-0-7 |
| | KBE 106/306 | silver grey | 5 pairs | H-00076-08-0-1 |
| | KBE 107/307 | black | 5 pairs | H-00076-45-0-6 |
| | KBE 107/307 | white | 5 pairs | H-00076-45-0-7 |
| | KBE 107/307 | silver grey | 5 pairs | H-00076-45-0-1 |
| | KBE 707 | black | 5 pairs | H-00076-82-0-6 |
| | KBE 707 | white | 5 pairs | H-00076-82-0-7 |
| | Knipping 4102 | black | 5 pairs | H-00076-73-0-6 |
| | Knipping 4102 | white | 5 pairs | H-00076-73-0-7 |
| | Kömmerling Classic 2400 | black | 5 pairs | H-00076-87-0-6 |
| | Kömmerling Classic 2400 | white | 5 pairs | H-00076-87-0-7 |
| | Kömmerling Classic 2401 | black | 5 pairs | H-00076-81-0-6 |
| | Kömmerling Classic 2401 | white | 5 pairs | H-00076-81-0-7 |
| | Kömmerling Classic 2402 | black | 5 pairs | H-00076-77-0-6 |
| | Kömmerling Classic 2402 | white | 5 pairs | H-00076-77-0-7 |
| | Kömmerling AV 3012 | black | 5 pairs | H-00076-37-0-6 |
| | Kömmerling AV 3012 | white | 5 pairs | H-00076-37-0-7 |
| | Kömmerling AV 3902 | black | 5 pairs | H-00076-76-0-6 |
| | Kömmerling AV 3902 | white | 5 pairs | H-00076-76-0-7 |
| | Kömmerling Futur 0101 | black | 5 pairs | H-00076-36-0-6 |
| | Kömmerling Futur 0101 | white | 5 pairs | H-00076-36-0-7 |
| | Kömmerling Futur 0102 | black | 5 pairs | H-00076-35-0-6 |
| | Kömmerling Futur 0102 | white | 5 pairs | H-00076-35-0-7 |
| | Kömmerling Eurodur 3S 1401 | black | 5 pairs | H-00076-04-0-6 |
| | Kömmerling Eurodur 3S 1401 | silver grey | 5 pairs | H-00076-04-0-1 |
| | Kömmerling Eurodur 3S 1401 | white | 5 pairs | H-00076-04-0-7 |
| | Kömmerling Eurodur 3S 1402 | black | 5 pairs | H-00076-05-0-6 |
| | Kömmerling Eurodur 3S 1402 | silver grey | 5 pairs | H-00076-05-0-1 |
| | Kömmerling Eurodur 3S 1402 | white | 5 pairs | H-00076-05-0-7 |
| | Kömmerling Eurodur 3S 1406 | black | 5 pairs | H-00076-57-0-6 |
| | Kömmerling Eurodur 3S 1406 | white | 5 pairs | H-00076-57-0-7 |
| | Kömmerling Eurodur 3S 1508 | black | 5 pairs | H-00076-62-0-6 |
| | Kömmerling Eurodur 3S 1508 | white | 5 pairs | H-00076-62-0-7 |
| | Kömmerling Eurodur 3S 1508 | black | 5 pairs | H-00076-63-0-6 |
| | Kömmerling Eurodur 3S 1508 | white | 5 pairs | H-00076-63-0-7 |
| | LB PAD AL 1-3 H 720 | black | 5 pairs | H-00076-25-0-6 |
| | LB PAD AL 1-3 H 720 | white | 5 pairs | H-00076-25-0-7 |
| | LB PAD AL 2-3 H 725 | black | 5 pairs | H-00076-46-0-6 |
| | LB PAD AL 2-3 H 725 | white | 5 pairs | H-00076-46-0-7 |

| PG YPS | Description Profile system | Colour | PU | Order no. |
|--------|------------------------------|--------|---------|----------------|
| | Rehau S730/68 | black | 5 pairs | H-00076-09-0-6 |
| | Rehau S730/68 | white | 5 pairs | H-00076-09-0-7 |
| | Rehau S730/74 | black | 5 pairs | H-00076-84-0-6 |
| | Rehau S730/74 | white | 5 pairs | H-00076-84-0-7 |
| | Rehau S730/76 | black | 5 pairs | H-00076-10-0-6 |
| | Rehau S730/76 | white | 5 pairs | H-00076-10-0-7 |
| | Rehau Brillant/76/Thermo 70 | black | 5 pairs | H-00076-29-0-6 |
| | Rehau Brillant/76/Thermo 70 | white | 5 pairs | H-00076-29-0-7 |
| | Rehau Brillant/68/Thermo 70 | black | 5 pairs | H-00076-68-0-6 |
| | Rehau Brillant/68/Thermo 70 | white | 5 pairs | H-00076-68-0-7 |
| | Roplasto 6101/6190 | black | 5 pairs | H-00076-12-0-6 |
| | Roplasto 6101/6190 | white | 5 pairs | H-00076-12-0-7 |
| | Roplasto 6114/6191 | black | 5 pairs | H-00076-11-0-6 |
| | Roplasto 6114/6191 | white | 5 pairs | H-00076-11-0-7 |
| | Roplasto BL 02 | black | 5 pairs | H-00076-13-0-6 |
| | Roplasto BL 02 | white | 5 pairs | H-00076-13-0-7 |
| | Roplasto BL 03 | black | 5 pairs | H-00076-14-0-6 |
| | Roplasto BL 03 | white | 5 pairs | H-00076-14-0-7 |
| | Salamander 2D 210020 | black | 5 pairs | H-00076-38-0-6 |
| | Salamander 2D 210020 | white | 5 pairs | H-00076-38-0-7 |
| | Salamander 2D 210030 | black | 5 pairs | H-00076-40-0-6 |
| | Salamander 2D 210030 | white | 5 pairs | H-00076-40-0-7 |
| | Salamander 2D/70 230036 | black | 5 pairs | H-00076-64-0-6 |
| | Salamander 2D/70 230036 | white | 5 pairs | H-00076-64-0-7 |
| | Salamander 3D 110220 | black | 5 pairs | H-00076-39-0-6 |
| | Salamander 3D 110220 | white | 5 pairs | H-00076-39-0-7 |
| | Salamander 3D 110225 | black | 5 pairs | H-00076-79-0-6 |
| | Salamander 3D 110225 | white | 5 pairs | H-00076-79-0-7 |
| | Salamander 68740 UR 2 | black | 5 pairs | H-00076-15-0-6 |
| | Salamander 68740 UR 2 | white | 5 pairs | H-00076-15-0-7 |
| | Salamander 68741 UR 3 | black | 5 pairs | H-00076-16-0-6 |
| | Salamander 68741 UR 3 | white | 5 pairs | H-00076-16-0-7 |
| | Salamander Streamline 250220 | black | 5 pairs | H-00076-97-0-6 |
| | Salamander Streamline 250220 | white | 5 pairs | H-00076-97-0-7 |
| | Salamander Streamline 250230 | black | 5 pairs | H-00076-98-0-6 |
| | Salamander Streamline 250230 | white | 5 pairs | H-00076-98-0-7 |
| | Schüco Corona 68 | black | 5 pairs | H-00076-19-0-6 |
| | Schüco Corona 68 | white | 5 pairs | H-00076-19-0-7 |
| | Schüco Corona 78 | black | 5 pairs | H-00076-27-0-6 |
| | Schüco Corona 78 | white | 5 pairs | H-00076-27-0-7 |
| | Schüco Corona 90 | black | 5 pairs | H-00076-28-0-6 |
| | Schüco Corona 90 | white | 5 pairs | H-00076-28-0-7 |
| | Schüco CT 70 / 8597 | black | 5 pairs | H-00076-83-0-6 |
| | Schüco CT 70 / 8597 | white | 5 pairs | H-00076-83-0-7 |
| | Schüco CT 70 / 8623 | black | 5 pairs | H-00076-80-0-6 |
| | Schüco CT 70 / 8623 | white | 5 pairs | H-00076-80-0-7 |
| | Schüco CT 70 / 8626 | black | 5 pairs | H-00076-66-0-6 |
| | Schüco CT 70 / 8626 | white | 5 pairs | H-00076-66-0-7 |
| | Thermoplast Royal AP 301 | black | 5 pairs | H-00076-94-0-6 |
| | Thermoplast Royal AP 301 | white | 5 pairs | H-00076-94-0-7 |
| | Thermoplast AP 021 | black | 5 pairs | H-00076-95-0-6 |
| | Thermoplast AP 021 | white | 5 pairs | H-00076-95-0-7 |
| | Thyssen Prestige LD 176 | black | 5 pairs | H-00076-78-0-6 |
| | Thyssen Prestige LD 176 | white | 5 pairs | H-00076-78-0-7 |
| | Thyssen L 1/10 | black | 5 pairs | H-00076-32-0-6 |
| | Thyssen L 1/10 | white | 5 pairs | H-00076-32-0-7 |
| | Thyssen L 6/60 | black | 5 pairs | H-00076-33-0-6 |
| | Thyssen L 6/60 | white | 5 pairs | H-00076-33-0-7 |
| | Trocal Innonova 510100/0300 | black | 5 pairs | H-00076-72-0-6 |
| | Trocal Innonova 510100/0300 | white | 5 pairs | H-00076-72-0-7 |
| | Trocal Innonova 510200 | black | 5 pairs | H-00076-73-0-6 |
| | Trocal Innonova 510200 | white | 5 pairs | H-00076-73-0-7 |
| | Trocal Innonova 610200 | black | 5 pairs | H-00076-93-0-6 |
| | Trocal Innonova 610200 | white | 5 pairs | H-00076-93-0-7 |
| | Trocal 910100 | black | 5 pairs | H-00076-20-0-6 |
| | Trocal 910100 | white | 5 pairs | H-00076-20-0-7 |
| | Trocal 910700 | black | 5 pairs | H-00076-21-0-6 |
| | Trocal 910700 | white | 5 pairs | H-00076-21-0-7 |
| | Veka 101085 | black | 5 pairs | H-00076-22-0-6 |
| | Veka 101085 | white | 5 pairs | H-00076-22-0-7 |
| | Veka 101086 | black | 5 pairs | H-00076-23-0-6 |
| | Veka 101086 | white | 5 pairs | H-00076-23-0-7 |
| | Veka 101111 | black | 5 pairs | H-00076-31-0-6 |
| | Veka 101111 | white | 5 pairs | H-00076-31-0-7 |
| | Veka 101200 | black | 5 pairs | H-00076-41-0-6 |
| | Veka 101200 | white | 5 pairs | H-00076-41-0-7 |
| | Veka 101201 | black | 5 pairs | H-00076-42-0-6 |
| | Veka 101201 | white | 5 pairs | H-00076-42-0-7 |
| | Veka 101203 | black | 5 pairs | H-00076-86-0-6 |
| | Veka 101203 | white | 5 pairs | H-00076-86-0-7 |

SWH threshold-to-frame connectors for other profiles on request.

* = on request



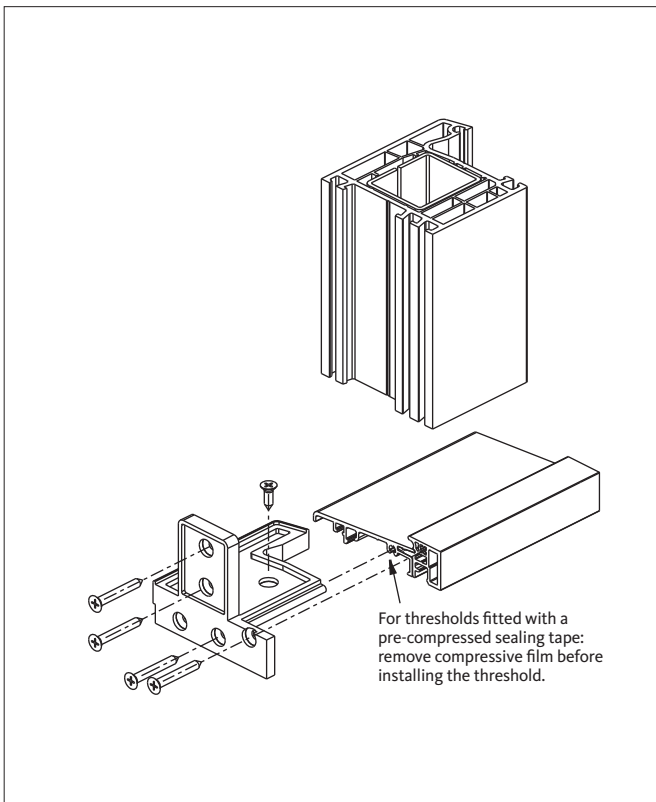
Connector for profile systems

Comfortable threshold-to-frame connection:
The SWH threshold-to-frame connector serves as adapter between the HTS threshold which is cut at a right angle and the individual frame profile.

The product features

- high static values due to steel reinforcement
- high impact resistance
- colour fastness

Installation – PVC entrance doors



HTS threshold for renovation – PVC doors
Installation with threshold-to-frame connector H-00076

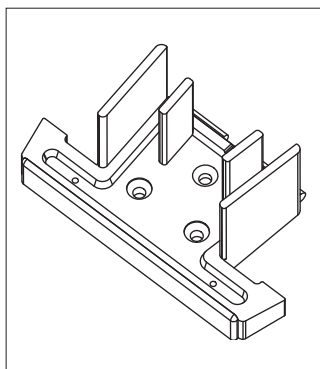
Comfortable threshold-to-frame connection

The SWH threshold-to-frame connector serves as adapter between HTS threshold and individual frame profile:

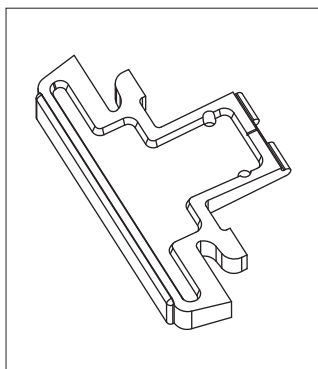
- efficient manufacture due to simple rectangular cutting of threshold and PVC or timber profiles
- high static values due to steel reinforcement
- high impact resistance
- colour fastness

Installation advice

Crop the connector at the predetermined breaking point. Cut PVC frame profile and system threshold at a right angle. First screw vertically from above and then horizontally.



SPH threshold-to-mullion connector

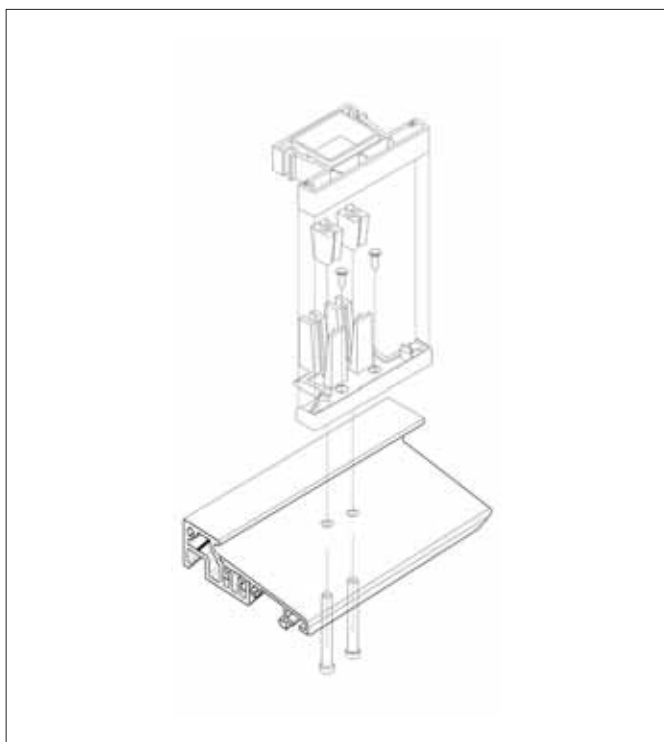


SPH threshold-to-mullion connector

Features and benefits

The profile-specific connectors feature:

- high static values due to steel reinforcement
- high impact resistance
- colour fastness



HTS thresholds for new construction – PVC doors

Installation with SPH threshold-to-mullion connector H-00078 or H-00472

Installation advice

HTS threshold and frame are cut at a right angle. The SPH threshold-to-mullion connector is firmly connected with the steel reinforcement of the mullion. Vertical screw fixing only.

| PG YPS | Description Profile system | Colour | PU | Order no. |
|--------|----------------------------|-------------|-------|----------------|
| | Aluplast 140041 | black | 5 pcs | H-00472-24-0-6 |
| | Aluplast 140041 | white | 5 pcs | H-00472-24-0-7 |
| | Aluplast 140045 | black | 5 pcs | H-00472-25-0-6 |
| | Aluplast 140045 | white | 5 pcs | H-00472-25-0-7 |
| | Aluplast Signum 686279 | black | 5 pcs | H-00478-00-0-6 |
| | Aluplast Signum 686279 | white | 5 pcs | H-00478-00-0-7 |
| | Aluplast Signum 686279 | silver grey | 5 pcs | H-00478-00-0-1 |
| | Brüggmann HP 302 | black | 5 pcs | H-00478-04-0-6 |
| | Brüggmann HP 302 | white | 5 pcs | H-00478-04-0-7 |
| | Deceuninck P2037 | black | 5 pcs | H-00078-05-0-6 |
| | Deceuninck P2037 | white | 5 pcs | H-00078-05-0-7 |
| | Gealan 8043 | black | 5 pcs | H-00078-00-0-6 |
| | Gealan 8043 | white | 5 pcs | H-00078-00-0-7 |
| | Gealan 8040 | black | 5 pcs | H-00078-01-0-6 |
| | Gealan 8040 | white | 5 pcs | H-00078-01-0-7 |
| | KBE AD 381 | black | 5 pcs | H-00478-12-0-6 |
| | KBE AD 381 | white | 5 pcs | H-00478-12-0-7 |
| | KBE AD 381 | silver grey | 5 pcs | H-00478-12-0-1 |
| | KBE 715 / 732 | black | 5 pcs | H-00078-11-0-6 |
| | KBE 715 / 732 | white | 5 pcs | H-00078-11-0-7 |
| | KBE 715 / 732 | silver grey | 5 pcs | H-00078-11-0-1 |
| | Kömmerling CF 2422 | black | 5 pcs | H-00478-14-0-6 |
| | Kömmerling CF 2422 | white | 5 pcs | H-00478-14-0-7 |
| | Kömmerling CF 2423 | black | 5 pcs | H-00078-13-0-6 |
| | Kömmerling CF 2423 | white | 5 pcs | H-00078-13-0-7 |
| | Kömmerling AV 3922 | black | 5 pcs | H-00078-12-0-6 |
| | Kömmerling AV 3922 | white | 5 pcs | H-00078-12-0-7 |
| | Kömmerling AV 3923 | black | 5 pcs | H-00478-15-0-6 |
| | Kömmerling AV 3923 | white | 5 pcs | H-00478-15-0-7 |
| | Kömmerling AV 3002 | black | 5 pcs | H-00472-15-0-6 |
| | Kömmerling AV 3002 | white | 5 pcs | H-00472-15-0-7 |
| | Kömmerling AV 3051 | black | 5 pcs | H-00472-04-0-6 |
| | Kömmerling AV 3051 | white | 5 pcs | H-00472-04-0-7 |
| | Kömmerling Futur 0122 | black | 5 pcs | H-00472-00-0-6 |
| | Kömmerling Futur 0122 | white | 5 pcs | H-00472-00-0-7 |
| | Kömmerling Futur 0123 | black | 5 pcs | H-00472-01-0-6 |
| | Kömmerling Futur 0123 | white | 5 pcs | H-00472-01-0-7 |
| | Kömmerling Eurodur 3S 1422 | black | 5 pcs | H-00078-02-0-6 |
| | Kömmerling Eurodur 3S 1422 | white | 5 pcs | H-00078-02-0-7 |
| | Kömmerling Eurodur 3S 1423 | black | 5 pcs | H-00078-03-0-6 |
| | Kömmerling Eurodur 3S 1423 | white | 5 pcs | H-00078-03-0-7 |
| | LB PAD AT 2-3 H721 | black | 5 pcs | H-00472-03-0-6 |
| | LB PAD AT 2-3 H721 | white | 5 pcs | H-00472-03-0-7 |
| | Rehau S730 T118 | black | 5 pcs | H-00078-08-0-6 |
| | Rehau S730 T118 | white | 5 pcs | H-00078-08-0-7 |
| | Rehau S730/86 | black | 5 pcs | H-00078-09-0-6 |
| | Rehau S730/86 | white | 5 pcs | H-00078-09-0-7 |
| | Rehau Brillant/86 | black | 5 pcs | H-00478-01-0-6 |
| | Rehau Brillant/86 | white | 5 pcs | H-00478-01-0-7 |
| | Rehau Brillant T118 | black | 5 pcs | H-00078-15-0-6 |
| | Rehau Brillant T118 | white | 5 pcs | H-00078-15-0-7 |
| | Roplasto 2301/02 | black | 5 pcs | H-00472-28-0-6 |
| | Roplasto 2301/02 | white | 5 pcs | H-00472-28-0-7 |
| | Roplasto 2303/04 | black | 5 pcs | H-00472-18-0-6 |
| | Roplasto 2303/04 | white | 5 pcs | H-00472-18-0-7 |
| | Salamander 2 D 212020 | black | 5 pcs | H-00472-09-0-6 |
| | Salamander 2 D 212020 | white | 5 pcs | H-00472-09-0-7 |
| | Salamander 2 D 212030 | black | 5 pcs | H-00472-08-0-6 |
| | Salamander 2 D 212030 | white | 5 pcs | H-00472-08-0-7 |
| | Salamander 2 D 70 / 232026 | black | 5 pcs | H-00078-10-0-6 |
| | Salamander 2 D 70 / 232026 | white | 5 pcs | H-00078-10-0-7 |
| | Salamander 3 D 112125 | black | 5 pcs | H-00478-16-0-6 |
| | Salamander 3 D 112125 | white | 5 pcs | H-00478-16-0-7 |
| | Salamander 3 D 112220 | black | 5 pcs | H-00472-07-0-6 |
| | Salamander 3 D 112220 | white | 5 pcs | H-00472-07-0-7 |
| | Salamander UP 4 / 68746 | black | 5 pcs | H-00472-17-0-6 |
| | Salamander UP 4 / 68746 | white | 5 pcs | H-00472-17-0-7 |
| | Schüco CT 70 / 8684 / 8598 | black | 5 pcs | H-00478-13-0-6 |
| | Schüco CT 70 / 8684 / 8598 | white | 5 pcs | H-00478-13-0-7 |
| | Schüco Corona 8107/11 | black | 5 pcs | H-00472-14-0-6 |
| | Schüco Corona 8107/11 | white | 5 pcs | H-00472-14-0-7 |
| | Thyssen H 50 | black | 5 pcs | H-00472-06-0-6 |
| | Thyssen H 50 | white | 5 pcs | H-00472-06-0-7 |
| | ThyssenT200/139 | black | 5 pcs | H-00472-16-0-6 |
| | ThyssenT200/139 | white | 5 pcs | H-00472-16-0-7 |
| | Veka 102087 | black | 5 pcs | H-00078-07-0-6 |
| | Veka 102087 | white | 5 pcs | H-00078-07-0-7 |
| | Veka 102103 | black | 5 pcs | H-00078-06-0-6 |
| | Veka 102103 | white | 5 pcs | H-00078-06-0-7 |
| | Veka 102121 | black | 5 pcs | H-00472-11-0-6 |
| | Veka 102121 | white | 5 pcs | H-00472-11-0-7 |
| | Veka 102200 | black | 5 pcs | H-00472-05-0-6 |
| | Veka 102200 | white | 5 pcs | H-00472-05-0-7 |

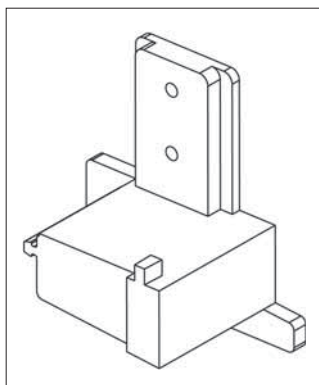
SPH threshold-to-mullion connectors for other profiles on request.

HTS thresholds

SWH threshold-to-frame connectors for HTS thresholds – outward-opening / solid frame



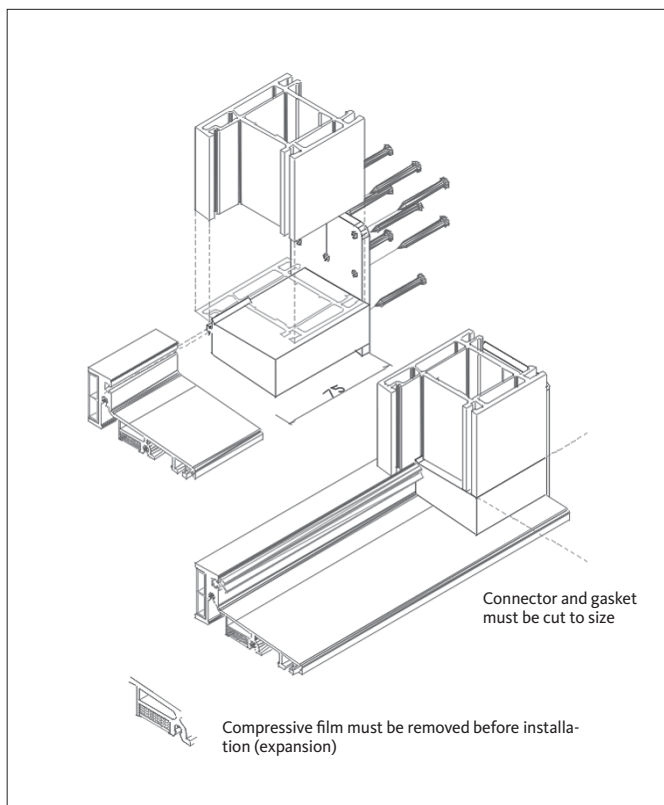
D



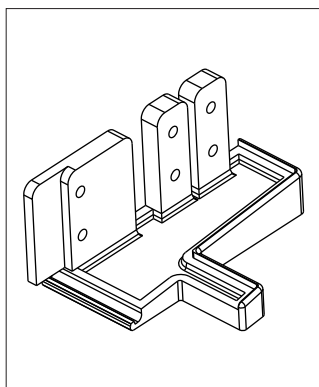
SWH threshold-to-frame connector for outward-opening entrance doors

Installation advice

The threshold-to-frame connector must be cut to fit the frame profile. Threshold and frame are cut at a right angle. Only horizontal screw fixing.



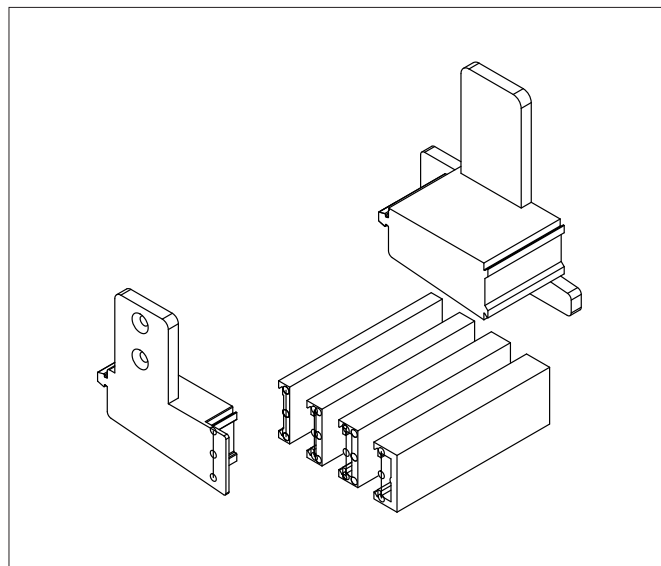
HTS threshold for PVC door – outward opening door
Installation with threshold-to-frame connector H-00077



SWH threshold-to-frame connector for entrance doors with solid frame

SWH threshold-to-frame connector for HTS thresholds – outward-opening PVC entrance doors

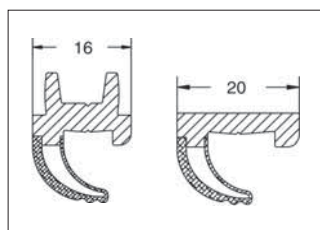
| PG | Description | Profile system | Colour | PU | Order no. |
|-----|--|----------------------------|--------|---------|----------------|
| YPS | SWH threshold-to-frame connector for outward-opening doors | Universal | black | 5 pairs | H-00077-09-0-6 |
| | | Universal | white | 5 pairs | H-00077-09-0-7 |
| | | Aluplast 120003 | black | 5 pairs | H-00077-07-0-6 |
| | | Aluplast 120003 | white | 5 pairs | H-00077-07-0-7 |
| | | Deceuninck P2002 | black | 5 pairs | H-00077-08-0-6 |
| | | Deceuninck P2002 | white | 5 pairs | H-00077-08-0-7 |
| | | Kömmerling Eurodur 3S 1402 | black | 5 pairs | H-00077-02-0-6 |
| | | Kömmerling Eurodur 3S 1402 | white | 5 pairs | H-00077-02-0-7 |
| | | Rehau S730/68 | black | 5 pairs | H-00077-04-0-6 |
| | | Rehau S730/68 | white | 5 pairs | H-00077-04-0-7 |
| | | Salamander 2D 210030 | black | 5 pairs | H-00077-06-0-6 |
| | | Salamander 2D 210030 | white | 5 pairs | H-00077-06-0-7 |
| | | Salamander 68741/UR 3 | black | 5 pairs | H-00077-05-0-6 |
| | | Salamander 68741/UR 3 | white | 5 pairs | H-00077-05-0-7 |
| | | Veka 101085 | black | 5 pairs | H-00077-03-0-6 |
| | | Veka 101085 | white | 5 pairs | H-00077-03-0-7 |



H-00077-09-0-* universal threshold-to-frame connector for HTS 23.1.1 and HTS 23.1.1 threshold – outward-opening door

SWH threshold-to-frame connector for HTS thresholds – PVC entrance doors with solid frame

| PG | Description | Profile system | Colour | PU | Order no. |
|-----|---|----------------------------|----------|---------|----------------|
| YPS | SWH threshold-to-frame connector for doors with solid frame | Deceuninck P 2100 | black | 5 pairs | H-00076-60-0-6 |
| | | Deceuninck P 2100 | white | 5 pairs | H-00076-60-0-7 |
| | | Kömmerling Eurodur 3S 1405 | black | 5 pairs | H-00076-34-0-6 |
| | | Kömmerling Eurodur 3S 1405 | white | 5 pairs | H-00076-34-0-7 |
| | | LB Profile H 742/VT 1-3 | black | 5 pairs | H-00076-54-0-6 |
| | | LB Profile H 742/VT 1-3 | white | 5 pairs | H-00076-54-0-7 |
| | | LB Profile H 742/VT 1-3 | RAL 1013 | 5 pairs | H-00076-54-0-9 |
| | | Rehau 541031 | black | 5 pairs | H-00076-61-0-6 |
| | | Rehau 541031 | white | 5 pairs | H-00076-61-0-7 |



HZD 16, HZD 20 extra gaskets

Extra gasket on underside of door leaf

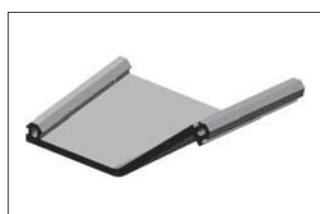
The PVC gasket consists of a soft lip with a hard back. Screwed into the bottom hardware groove of the door leaf, the gasket serves as additional seal above the threshold, thus protecting the inside rebate gasket against water.

HZD 16, HZD 20 extra gaskets

| PG | Description | Width mm | Colour | PU | Order no. |
|-----|---------------------|----------|--------|------|----------------|
| YPS | Extra gasket HZD 16 | 16 | black | 80 m | H-00079-16-0-0 |
| | HZD 20 | 20 | black | 80 m | H-00079-20-0-0 |

When the door closes, the triple lip wipes off water and dirt from the threshold without creating a vacuum so water cannot be drawn inside the

house. The double-wall construction of the profile provides dimensional stability and enhanced heat insulation.



HB 220 anti-moisture foil

HB 220 anti-moisture foil

The HB 220 anti-moisture foil is made of EPDM (APTK). It features two differently shaped beadings and therefore can be connected with all HTS thresholds by way of pressing in.

HB 220 anti-moisture foil

| PG | Description | Width mm | Colour | PU | Order no. |
|-----|---------------------------|----------|--------|------|----------------|
| YPS | HB 220 anti-moisture foil | 220 | black | 25 m | H-00079-21-0-0 |

The anti-moisture foil can be fixed with all customary foil adhesive glues, welded with bitumen and extended by

way of connecting several foils with each other. It provides an optimal connection between threshold and building structure.



HAP 1 leveling profile

HAP leveling profiles

HAP leveling profiles serve for height adjustment between the runoff slant of the threshold and the underside of a fixed side panel.

Moreover, the profiles prevent water from penetrating as far as to the door element frame. The slope ensures unhindered water drain.

HAP leveling profile of aluminium for fixed side panel

| PG | Description | Length mm | Colour | PU | Order no. |
|-----|------------------------------|-----------|--------|--------|----------------|
| YPS | Leveling profile HAP 1 - PVC | 2200 | EV 1 | 5 sets | H-00475-00-0-1 |
| | HAP 2 - Timber, IG [1] | 2200 | EV 1 | 5 sets | H-00475-01-0-1 |
| | HAP 3 - Timber, CG [1] | 2200 | EV 1 | 5 sets | H-00475-02-0-1 |

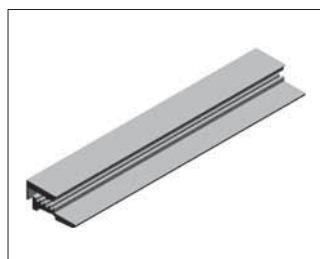
[1] IG = impact gasket, MD = central gasket

Leveling range

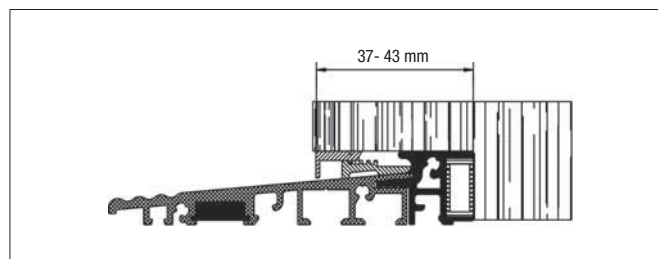
| | |
|--------------------|------------|
| HAP 1 - PVC | 58 - 70 mm |
| HAP 2 - Timber, IG | 58 - 70 mm |
| HAP 3 - Timber, CG | 37 - 43 mm |



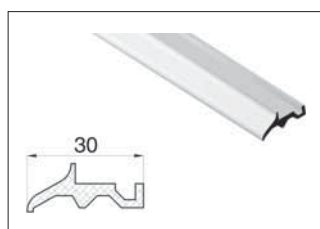
HAP 2 leveling profile



HAP 3 leveling profile



Installation of HAP 3 leveling profile



HSU 1 closing profile

HSU 1 closing profile

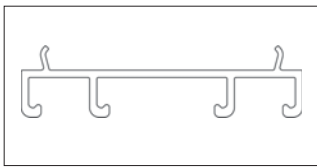
The HSU 1 closing profile serves as drip rail and at the same time enhances the appearance of the door element.

It closes the shadow gap between the bottom edge of the door leaf and the threshold.

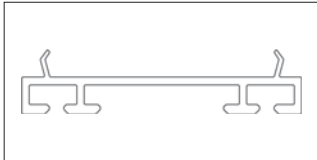
HSU closing profile for entrance door leaves

| PG | Description | Length mm | Colour | PU | Order no. |
|-----|--|-----------|--------|--------|----------------|
| YPS | Closing profile HSU 1 | 1200 | brown | 25 pcs | H-00470-00-0-5 |
| | | 1200 | white | 25 pcs | H-00470-00-0-7 |
| YPS | Closing profile HSU 1 | 4800 | brown | 25 pcs | H-00470-01-0-5 |
| | | 4800 | white | 25 pcs | H-00470-01-0-7 |
| YPS | Closing profile HSU 1 - Salamander profile | 1200 | 8022* | 25 pcs | H-00470-02-0-5 |
| | | 1200 | 9003* | 25 pcs | H-00470-02-0-7 |

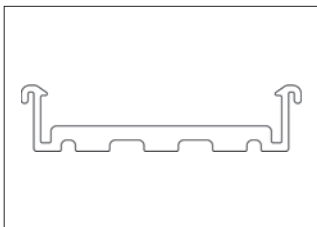
* = RAL colour



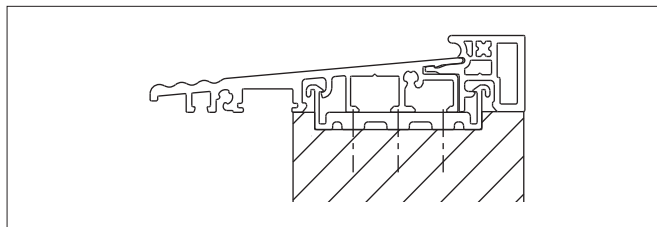
HRV 7 connecting profile



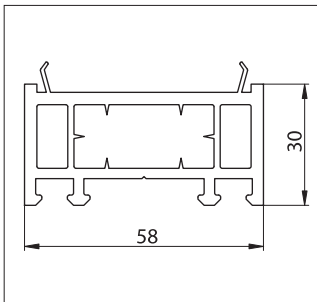
HRV 14 connecting profile



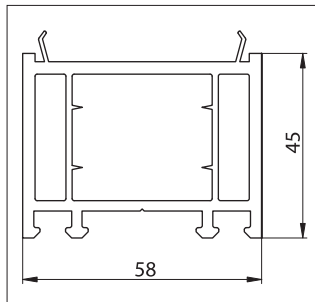
HRV 16 connecting profile



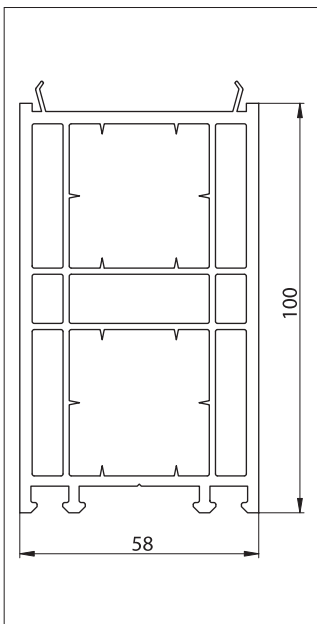
Installation of HRV 16 connecting profile



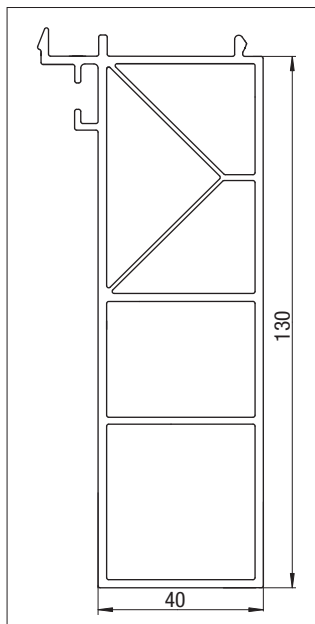
HVA extension profile – 30 mm



HVA extension profile – 45 mm



HVA extension profile – 100 mm



HVA extension profile – 130 mm
(only for HTS thresholds for new construction)

HRV connecting profile of aluminium for PVC system profiles

| PG | Description | Colour | PU | Order no. |
|-----|--------------------------|--------|------|----------------|
| YPS | Connecting profile | | | |
| | HRV 7 – Rehau | EV 1 | 30 m | H-00476-00-0-1 |
| | HRV 14 – Gealan, Thyssen | EV 1 | 30 m | H-00476-02-0-1 |
| | HRV 16 – Timber | EV 1 | 30 m | H-00476-01-0-1 |

HRV connecting profiles

The clip-on HRV connecting profiles provide for a simple way to extend thresholds right down to the concrete. They enable the easy attachment of a timber or PVC extension at the bottom of the threshold.

HVA extension profile of PVC

| PG | Description | Width mm | Colour | PU | Order no. |
|-----|-----------------------|----------|--------|------|----------------|
| YPS | HVA extension profile | 30 | white | 26 m | H-00474-00-0-7 |
| | | 45 | white | 26 m | H-00474-01-0-7 |
| | | 100 | white | 13 m | H-00474-02-0-7 |
| | | 130 | white | 13 m | H-00474-03-0-7 |

HVA extension profile

The clip-on extension profiles come with a height of 30, 45, 100 and 130 mm; they provide thermal insulation in the connection area between door and building structure.

Application

HVA extension profiles are suitable for all GU HTS thresholds. In combination with the GU-thermostep threshold, they can also be used for Lift&Slide elements.

The HVA 130 type can only be used with HTS thresholds for new construction. Installing it with a HTS threshold for renovation would cause an unacceptable load on the connection between aluminium and PVC profile.



HAB 2 and HAB 3 run-up blocks



HAB 4 run-up block

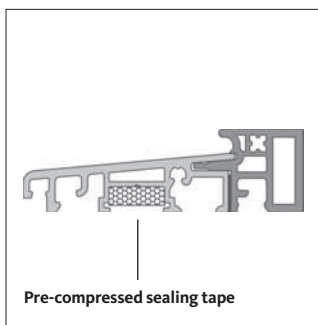


Pre-compressed sealing tape

HAB run-up block

With the rugged run-up block, "drooping" door leaves are slightly pressed upwards when closing and brought in correct locking position.

The HAB 4 run-up block additionally serves as striker for the shoot bolt of passive door leaves so that the threshold does not have to be drilled.



HAB run-up block

| PG | Description | Clearance mm | | Colour | PU | Order no. |
|-----|--------------------|--------------|------|--------|----|----------------|
| YPS | HAB 2 run-up block | 12 | EV 1 | 3 pcs | | H-00477-00-0-1 |
| | HAB 3 run-up block | 4 | EV 1 | 3 pcs | | H-00707-00-0-1 |
| | HAB 4 run-up block | 4 | EV 1 | 3 pcs | | H-00708-00-0-1 |

Pre-compressed sealing tape for HTS thresholds

| PG | Description | Dim. mm | PU | Order no. |
|-----|---|---------|------|----------------|
| YPS | Pre-compressed sealing tape 14 x 3 foil-wrapped | | 30 m | H-00482-00-0-0 |

Pre-compressed sealing tape

The pre-compressed sealing tape is used to seal the underside of HTS thresholds in renovation.

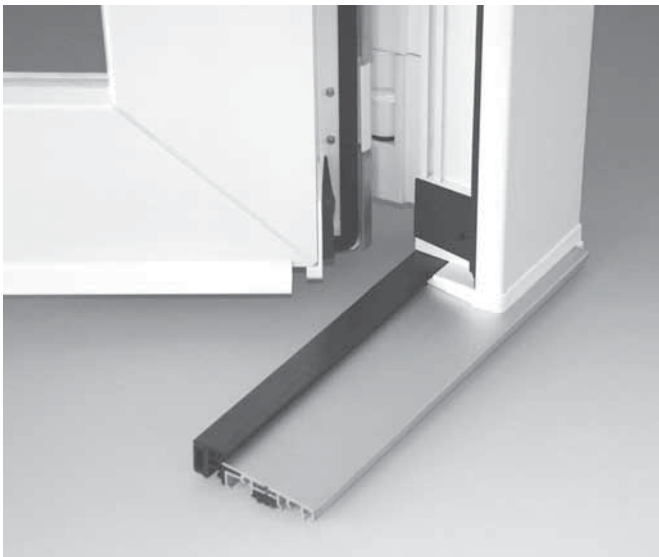
Resistant to driving rain up to 600 pa, the tape provides best protection against wind, dirt, moisture and cold.

It can be glued under the threshold later.

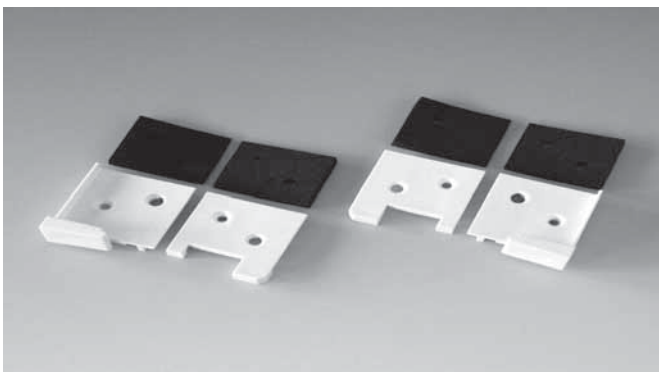
Before (re-)installing the threshold, the compressive film must be removed to enable the tape to expand.

HTS thresholds

Rebate gasket, protective profile for thresholds



Rebate gasket H-00490 – installation in the bottom door area



Rebate gasket set H-00490 – parts required for one door

Rebate gasket

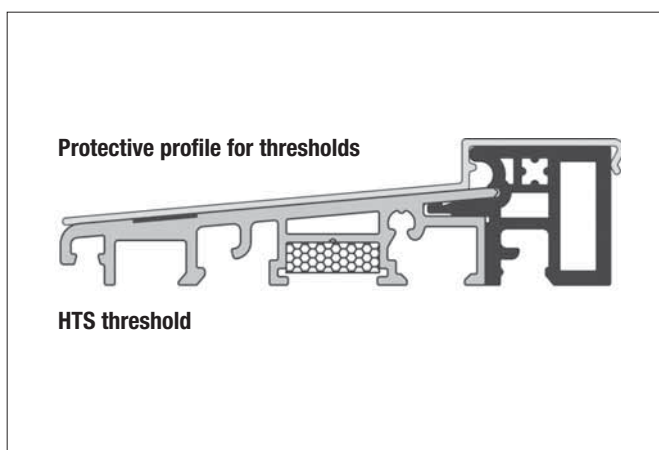
| PG | Description | PU | Order no. |
|------------------------|---|---------|----------------|
| YPS | Rebate gaskets set | | |
| | Contents – Parts required for 20 doors | | |
| | 20 frame-side gasket parts | left | |
| | 20 frame-side gasket parts | right | |
| | 20 leaf-side gasket parts | left | |
| | 20 leaf-side gasket parts | right | |
| | 80 gasket pads | | |
| Profile systems | | | |
| | Kömmerring Eurodur 3S / Futur / Classic | 1 piece | H-00490-00-0-7 |
| | VEKA Softline / Topline | 1 piece | H-00490-01-0-7 |

Features and benefits

- The rebate gasket set protects the area between threshold and frame from rising water.
- It also provides enhanced resistance against driving rain, better joint tightness and protection against cold and dust.
- The gasket parts for door leaf and frame are adapted to different profile systems.
- The gaskets have an additional supporting function: the leaf is lifted on the locking side.
- Predetermined breaking point

Installation

- The injection molded parts for door leaf and frame are bolted into the door rebate.
- The gasket pads are glued onto the mounted injection molded parts.



Protective profile H-00480-01-0-7
Width 80.0 mm, thickness 1.0 mm

Protective profile for HTS thresholds – universally usable for all threshold widths

| PG | Description | Colour | Lenth | PU | Order no. |
|-----|--------------------|--------|-------|--------|----------------|
| YPS | Protective profile | white | 2200 | 10 pcs | H-00480-01-0-7 |

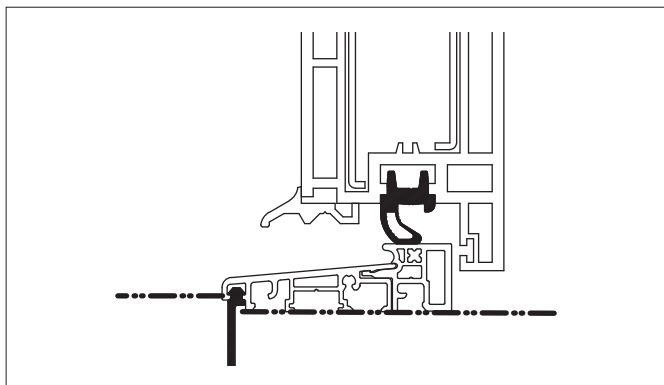
Features and benefits

- The profile protects HTS thresholds from corrosion damage by mortar during construction.
- Damages arising from access during construction are also avoided.
- The protective profile is simply clipped onto the threshold and fixed additionally by an adhesive strip over the total length.
- When all construction works are finished, the protective profile can be easily removed leaving the threshold undamaged and its surface intact.
- The protective profile is universally usable for all threshold widths.
- For narrow thresholds the profile is cut with a cutter knife.
- Even on wide thresholds, the protective profile will always sit firmly due to the additional adhesive strip.



Installation examples of HTS thresholds for renovation

HTS 9 threshold for PVC doors



Installation solution

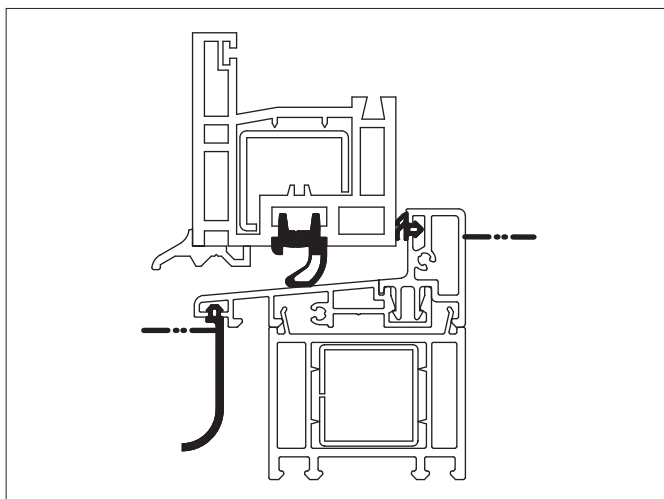
HTS 9 threshold
HSD 16 extra gasket on door leaf
HSU 1 closing profile
HB 220 anti-moisture foil

Note:

Sealing against the building in accordance with DIN.

Installation examples with HTS thresholds for new construction and renovation

HTS 23 threshold for PVC doors



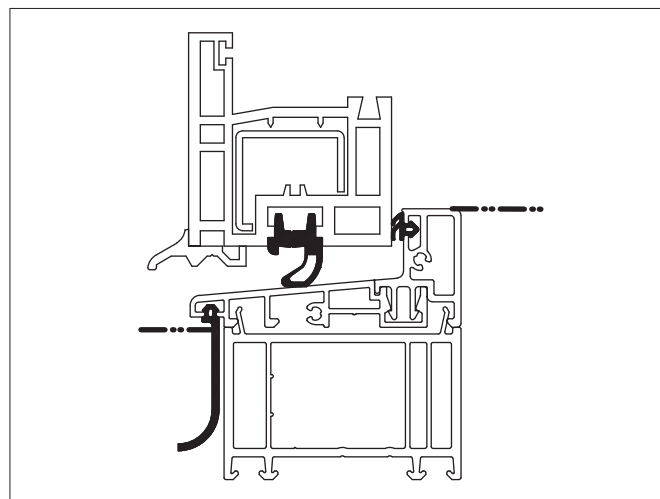
Installation solution

HTS 23 threshold
(outward-opening doors)
HSD 16 extra gasket on door leaf
HSU 1 closing profile
HVA 45 extension profile
HB 220 anti-moisture foil

Note:

Sealing against the building in accordance with DIN.

HTS 23 threshold for PVC doors



Installation solution

HTS 23 threshold
(outward-opening doors)
HSD 16 extra gasket on door leaf
HSU 1 closing profile
HB 220 anti-moisture foil
System-specific extension profile



Turn handle programme

Finishes137

Handle models

DIRIGENT

Turn handles for windows138

Dimensions of special versions139

ADAGIO

Turn handles for windows140

Dimensions of special versions141

MODENA

Turn handles for windows142

SOPRANO

Turn handles for windows143

SAN REMO

Turn handles for windows144

Accessories

Surface-mounted window lock145

Rosettes and square spindles for windows and balcony-doors ..146



silver



champagne



gold



light brown



dark brown



white



titanium painted

T

Colours

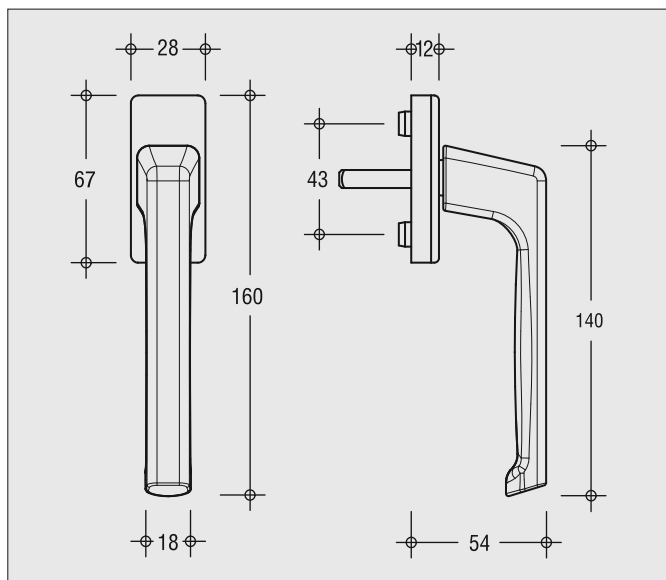
The turn handles DIRIGENT, ADAGIO, MODENA, SOPRANO and SAN REMO are made from aluminium with painted or powder-coated finish. The handles are available in the following standard colours (with matching rosettes):

- F 1/EV 1, silver colour
- F 2/EV 2, champagne colour
- F 3, gold colour
- F 4, light brown
- dark brown (RAL 8022 matt)
- white (RAL 9016)
- titanium painted

Illustrations show handle model DIRIGENT

| Available colours | Standard versions Quantities | | | | | Example: Order number 6-28072-29-0-7 |
|-------------------|------------------------------|--------|--------|---------|----------|---|
| | DIRIGENT | ADAGIO | MODENA | SOPRANO | SAN REMO | |
| | | | | | | 6-28072- = article number |
| | | | | | | - -00 - - = without spindle |
| | | | | | | - -29 - - = spindle length 29 mm |
| silver | 20 | 20 | 100* | 20 | 20 | - -33 - - = spindle length 33 mm |
| champagne | 20 | 20 | 20 | - | 20 | - -38 - - = spindle length 38 mm |
| gold colour | 20 | 20 | 20 | - | 20 | - -43 - - = spindle length 43 mm |
| light brown | 20 | 20 | 20 | - | 20 | - - -0 - - = non-handed |
| dark brown | 20 | 20 | 20 | 20 | 20 | - - -L - - = DIN left |
| white | 20 | 100* | 100* | 20 | 20 | - - -R - - = DIN right |
| titanium | 20 | 20 | 20 | - | 20 | - - - -11 = F 1/EV 1, silver |
| | | | | | | - - - -22 = F 2/EV 2, champagne |
| | | | | | | - - - -3 = F 3, gold colour |
| | | | | | | - - - -A = F 4, light brown |
| | | | | | | - - - -5 = dark brown (RAL 8022) |
| | | | | | | - - - -7 = white (RAL 9016) |
| | | | | | | - - - -C = titanium painted |

*Packing unit (lockable types: PU = 20)



DIRIGENT-F, DIRIGENT-F/SP

The DIRIGENT turn handles captivate by their clear shape. Elegance and functionality are the main features of the DIRIGENT design. The programme comprises inside and outside handles of aluminium for timber, PVC and aluminium windows and balcony-doors.

Standard versions

| Description | Version | Order number |
|--------------|-------------------------------------|-----------------|
| DIRIGENT-F | inside ¹ | 6-28072-* *-0-* |
| DIRIGENT-F/Z | inside, with push lock ¹ | 6-28075-* *-0-* |
| DIRIGENT-F/F | inside, flat | 6-28101-00-0-* |
| DIRIGENT-F/H | inside, high | 6-28102-00-0-* |
| DIRIGENT-F/A | outside | 6-25993-00-0-* |

¹ also without spindle

Special versions

| Description | Version | Order number |
|---------------------|---------------------------------------|-----------------|
| DIRIGENT-F/SP | inside, 45° detent | 6-28094-* *-0-* |
| DIRIGENT-F/KD | inside, with childproof safety button | 6-30268-* *-0-* |
| DIRIGENT-F/CHK | inside, with Swiss type night lock | 6-28096-00-0-* |
| DIRIGENT-F/SG | inside, removable | 8-00694-50-0-7 |
| DIRIGENT Tilt-First | inside, Tilt-First, lockable | 6-25993-00-0-* |
| | | 6-31557-* *-0-* |
| DIRIGENT-F/AF | outside, flat | 6-25223-00-0-* |

Cranked inside handles for outward opening windows and balcony-doors (Turn-Only)

| Description | Version | Order number |
|------------------|-----------------------------|----------------|
| DIRIGENT-F/GF-LS | cranked for DIN left, flat | 6-28105-00-0-* |
| DIRIGENT-F/GF-RS | cranked for DIN right, flat | 6-28106-00-0-* |

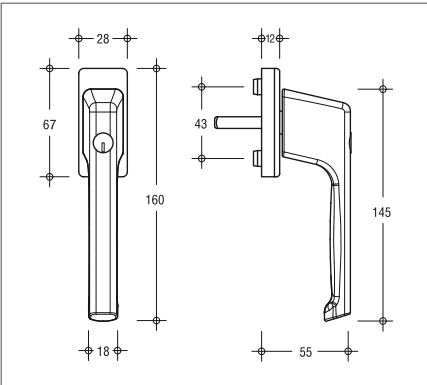
Cranked outside handles for inward-opening windows and balcony-doors (Turn-Only)

| Description | Version | Order number |
|-------------------|-----------------------------|----------------|
| DIRIGENT-F/AGF-LS | cranked for DIN left, flat | 6-27350-00-0-* |
| DIRIGENT-F/AGF-RS | cranked for DIN right, flat | 6-27349-00-0-* |

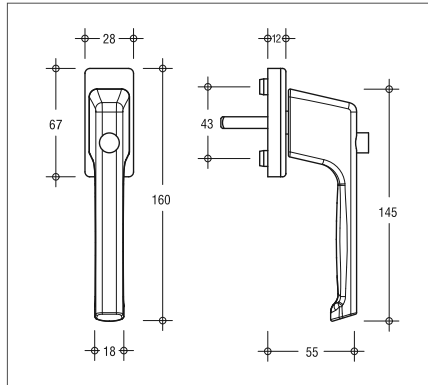
* For spindle lengths and colours refer to page 137

Technical data

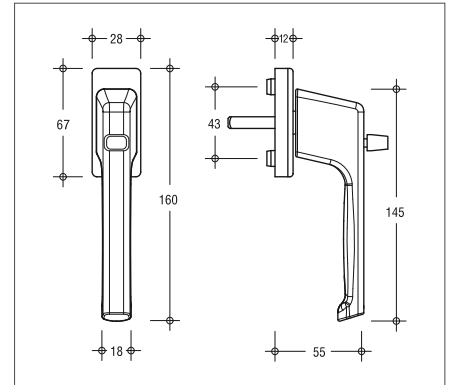
| | |
|---------------------|--|
| Inside rosette | 28 x 67 mm |
| Detent at | 90° (F/SP version 90° and 45°) |
| Positioning lugs | Ø 10 mm |
| Length of pos. lugs | 5 mm |
| Square spindle | fixed, 7 x 29, 7 x 33, 7 x 38 or 7 x 43 mm |
| Key bitting | F/Z keyed alike |
| Rosette cover | rotatable |
| Attachment | concealed |



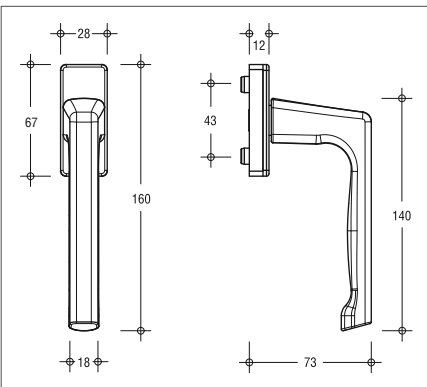
DIRIGENT-F/Z



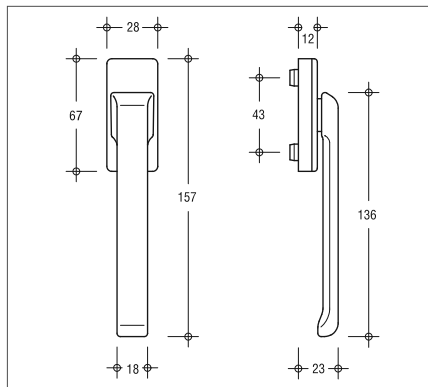
DIRIGENT-F/KD



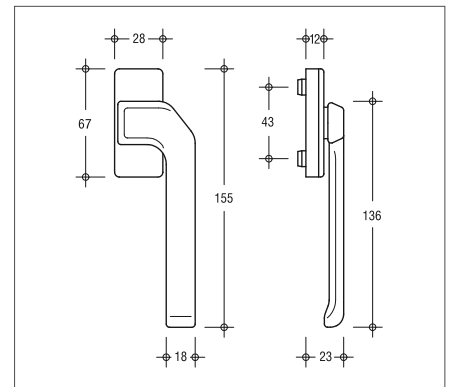
DIRIGENT-F/CHK



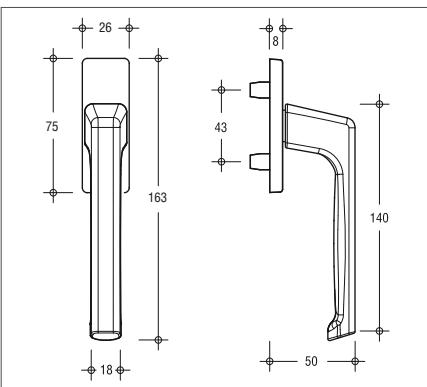
DIRIGENT-F/H



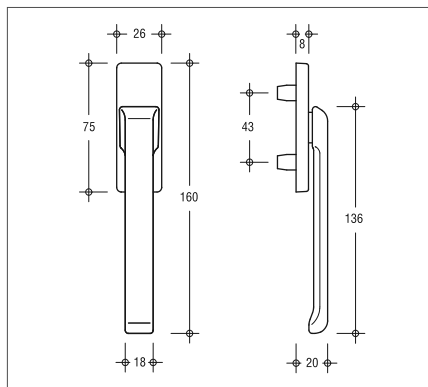
DIRIGENT-F/F



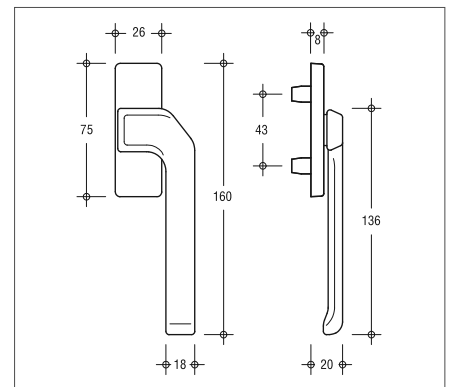
DIRIGENT-F/GF (illustration shows DIN left)



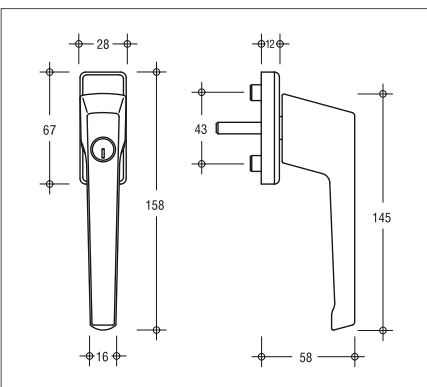
DIRIGENT-F/A



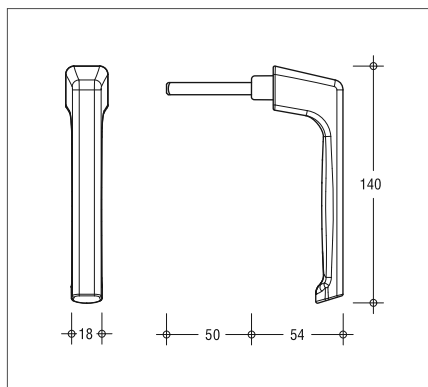
DIRIGENT-F/AF



DIRIGENT-F/AGF (illustration shows DIN left)



DIRIGENT Tilt-First



DIRIGENT-F/SG

T



Round and soft shapes are the dominant features of the ADAGIO window handle design. They are operated with ease and feel comfortable.

The programme comprises aluminium handles for timber, PVC and aluminium windows and balcony-doors.

| Standard versions | | |
|-------------------|------------------------|-----------------|
| Description | Version | Order number |
| ADAGIO-F | inside ¹ | 6-29548-* *-0-* |
| ADAGIO-F/Z | inside, with push lock | 6-29549-* *-0-* |

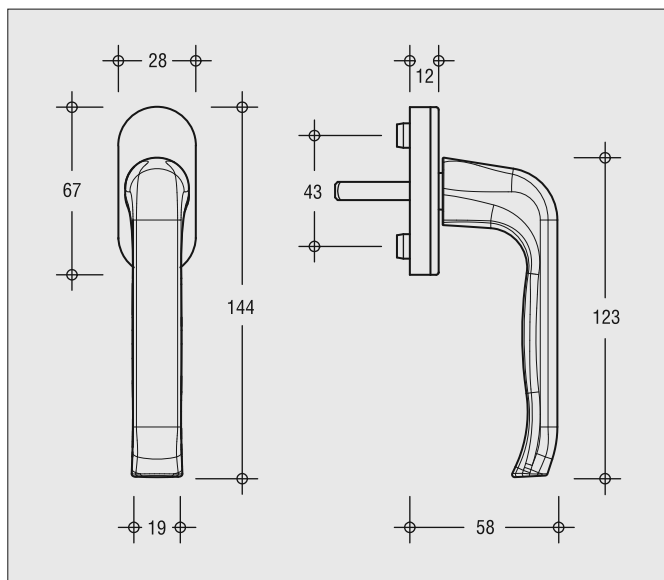
¹ also without spindle

| Special versions | | |
|------------------|---------------------------------------|-----------------|
| Description | Version | Order number |
| ADAGIO-F/KD | inside, with childproof safety button | 6-29890-* *-0-* |
| ADAGIO-F/SP | inside, 45° detent | 6-31803-* *-0-* |

| Cranked inside handles for outward opening windows and balcony-doors (Turn-Only) | | |
|--|--|----------------|
| Description | Version | Order number |
| ADAGIO-F/G-LS | cranked for DIN left, square rosette | 6-31323-00-0-* |
| ADAGIO-F/G-RS | cranked for DIN right, squ. rosette | 6-31221-00-0-* |
| ADAGIO-F/G-LS | cranked for DIN left, round rosette | 6-33636-00-0-* |
| ADAGIO-F/G-RS | cranked for DIN right, round rosette | 6-33637-00-0-* |
| ADAGIO-F/G 24-LS | cranked for DIN left, round rosette | 6-31441-38-0-* |
| ADAGIO-F/G 24-RS | cranked for DIN right, round rosette | 6-31442-38-0-* |
| ADAGIO-F/GZ-LS | cranked for DIN left, round rosette with looking cylinder | 6-33451-00-0-* |
| ADAGIO-F/GZ-RS | cranked for DIN right, round rosette with looking cylinder | 6-33452-00-0-* |

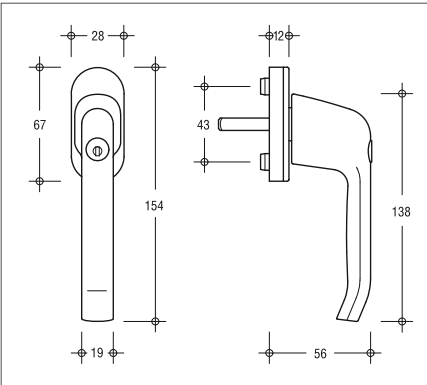
| Cranked outside handles for inward-opening windows and balcony-doors (Turn-Only) | | |
|--|--------------------------------------|----------------|
| Description | Version | Order number |
| ADAGIO-F/AG-LS | cranked for DIN left, square rosette | 6-32411-00-0-* |
| ADAGIO-F/AG-RS | cranked for DIN right, squ. rosette | 6-32412-00-0-* |
| ADAGIO-F/AG-LS | cranked for DIN left, round rosette | 6-33634-00-0-* |
| ADAGIO-F/AG-RS | cranked for DIN right, round rosette | 6-33635-00-0-* |

* For spindle lengths and colours refer to page 137

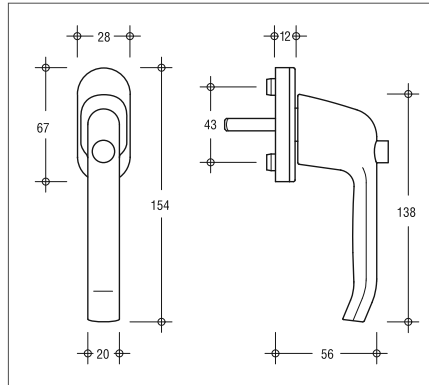


ADAGIO-F, ADAGIO-F/SP

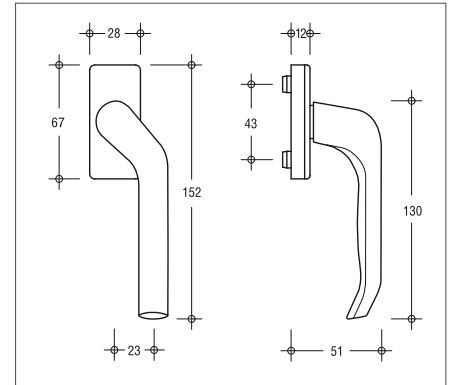
| Technical data | |
|---------------------|--|
| Inside rosette | 28 x 67 mm (round) |
| Detent at | 90° (F/SP version 90° and 45°) |
| Positioning lugs | Ø 10 mm |
| Length of pos. lugs | 5 mm |
| Square spindle | fixed, 7 x 29, 7 x 33, 7 x 38 or 7 x 43 mm |
| Key bitting | F/Z keyed alike |
| Rosette cover | rotatable |
| Attachment | concealed |



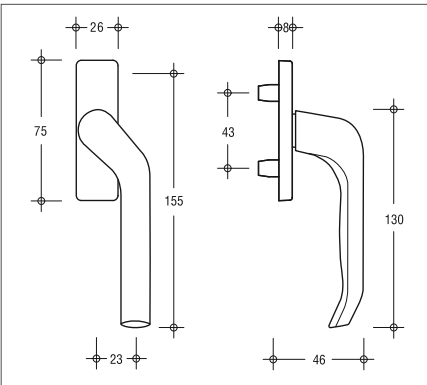
ADAGIO-F/Z



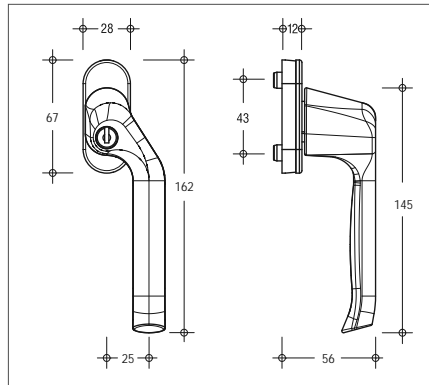
ADAGIO-F/KD



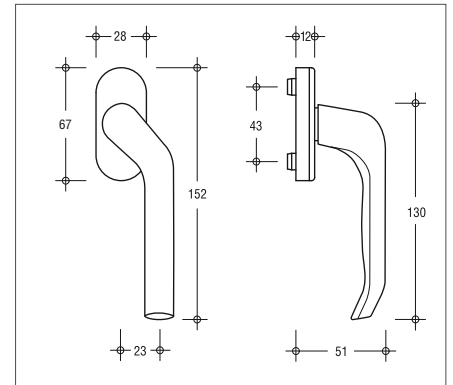
ADAGIO-F/G (illustration shows DIN left)



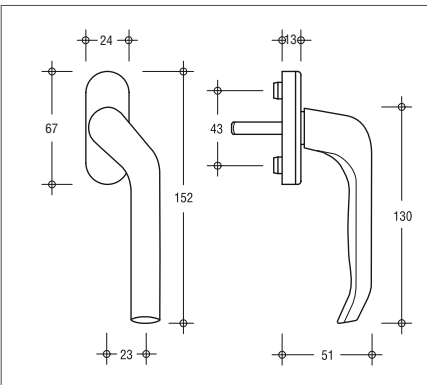
ADAGIO-F/AG (illustration shows DIN left)



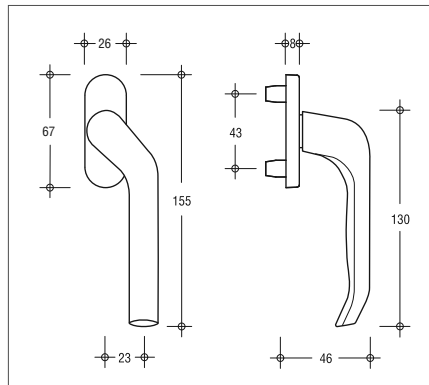
ADAGIO-F/GZ (illustration shows DIN left)



ADAGIO-F/G (illustration shows DIN left)



ADAGIO-F/G 24 (illustration shows DIN left)



ADAGIO-F/AG (illustration shows DIN left)



The aesthetic design of the MODENA window handles is characterised by its rounded shape. Great ease of use is guaranteed. The programme comprises inside handles of aluminium for timber, PVC and aluminum windows and balcony-doors.

Standard versions

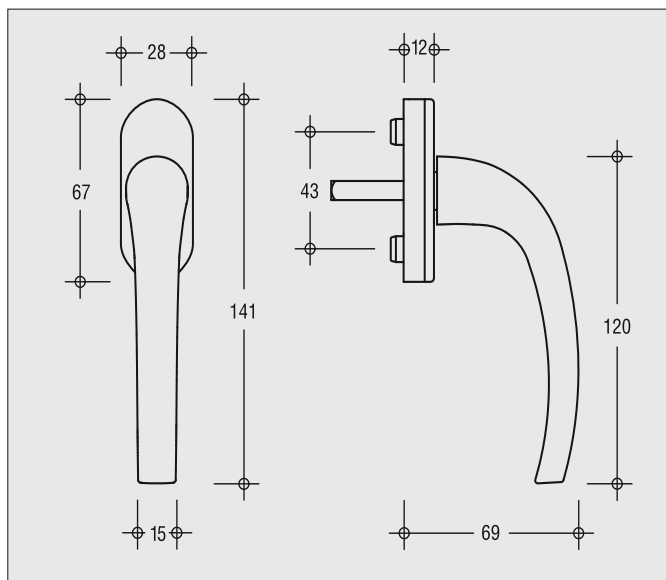
| Description | Version | Order number |
|-------------|------------------------|-----------------|
| MODENA-F | inside | 6-31977-* *-0-* |
| MODENA-F/Z | inside, with push lock | 6-31978-* *-0-* |

Special versions

| Description | Version | Order number |
|--------------------------------|------------------------|-----------------|
| MODENA-F/SP | inside, 45° detent | 6-32319-* *-0-* |
| MODENA-F/Z 100 Nm ¹ | inside, with push lock | 6-34397-* *-0-* |

* For spindle lengths and colours refer to page 137

¹ Tested to EN 1627:2011 against tear-off and twist-off with 100 Nm



MODENA-F, MODENA-F/SP

Technical data

| | |
|---------------------|------------------------------------|
| Inside rosette | 28 x 67 mm |
| Detent at | 90° (F/SP version 90° and 45°) |
| Positioning lugs | Ø 10 mm |
| Length of pos. lugs | 5 mm |
| Square spindle | fixed, 7 x 29, 7 x 33 or 7 x 38 mm |
| Key bitting | F/Z keyed alike |
| Rosette cover | rotatable |
| Attachment | concealed |

SOPRANO

Turn handles for windows



The range of window handles is rounded off by the modernly designed SOPRANO model. The handle is ergonomically shaped and captures by its simple elegance.

Versions : interior handles of aluminium for timber, PVC and aluminium windows and balcony-doors.

Standard variants

| Description | Version | Order no. |
|-------------|------------------------|----------------|
| SOPRANO-F | inside | U-71984-**-0-* |
| SOPRANO-F/Z | inside, with push lock | U-71987-**-0-* |

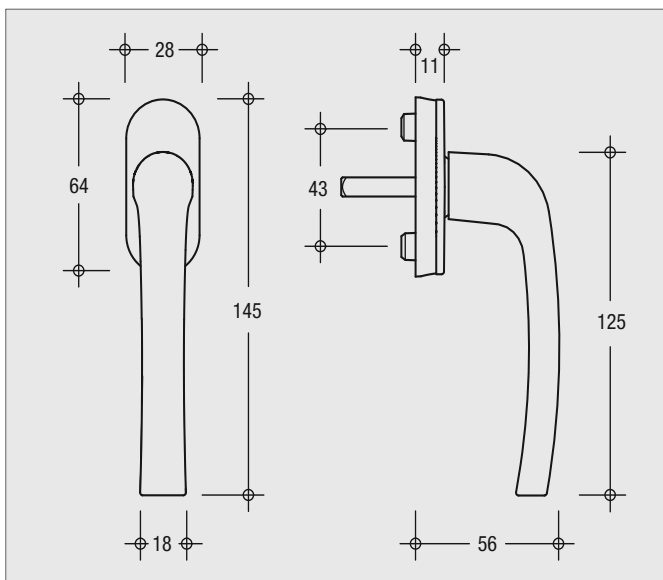
Special variant

| Description | Version | Order no. |
|--------------|---------------------------|----------------|
| SOPRANO-F/SP | interior, with 45° detent | U-71970-**-0-* |

Colours: silver, brown (RAL 8022 matt), white (RAL 9016)

Order references: * = finish, ** = spindle length

** For spindle lengths refer to page 137



SOPRANO-F, SOPRANO-F/SP

Technical data

| | |
|---------------------|--|
| Inside rosette | 28 x 64 mm |
| Detent at | 90° (F/SP version 90° and 45°) |
| Positioning lugs | Ø 10 mm |
| Length of pos. lugs | 5 mm |
| Square spindle | fixed, 7 x 29, 7 x 33, 7 x 38 or 7 x 43 mm |
| Key bitting | F/Z keyed alike |
| Rosette cover | rotatable |
| Attachments | concealed |



A straight line but still soft design feature the window handles SAN REMO – they easily fit in the hand and provide comfortable operation.

The programme comprises inside handles of aluminium for timber, PVC and aluminium windows and balcony-doors.

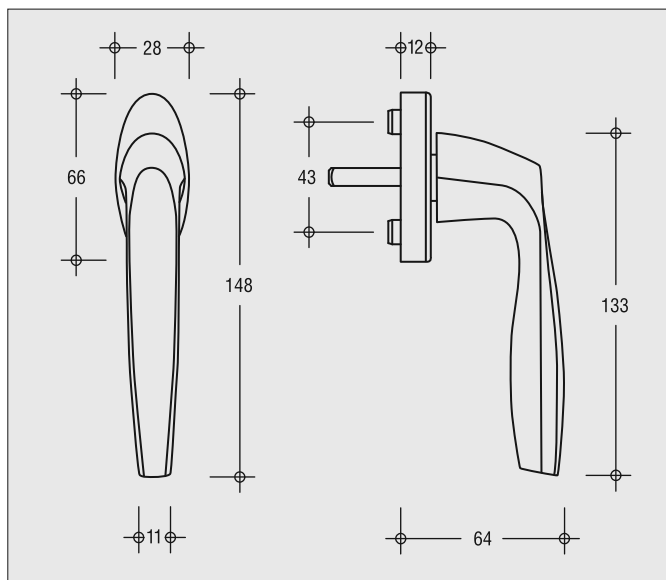
Standard versions

| Description | Version | Order number |
|--------------|------------------------|-----------------|
| SAN REMO-F | inside | G-21608-* *-0-* |
| SAN REMO-F/Z | inside, with push lock | G-21609-* *-0-* |

Special variant

| Description | Version | Order number |
|---------------|--------------------|-----------------|
| SAN REMO-F/SP | inside, 45° detent | 6-32363-* *-0-* |

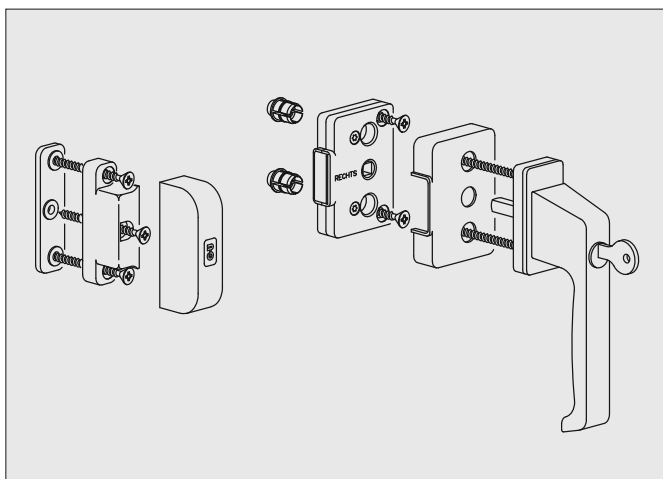
** For spindle lengths refer to page 137



SAN REMO-F, SAN REMO-F/SP

Technical data

| | |
|---------------------|------------------------------------|
| Inside rosette | 28 x 66 mm |
| Detent at | 90° (F/SP version 90° and 45°) |
| Positioning lugs | Ø 10 mm |
| Length of pos. lugs | 5 mm |
| Square spindle | fixed, 7 x 29, 7 x 33 or 7 x 38 mm |
| Key bitting | F/Z keyed alike |
| Rosette cover | rotatable |
| Attachment | concealed |



Upgradable security for Tilt&Turn and Turn-Only windows

The easily mounted locking device is an efficient protection against burglary. Even if the window is broken or the frame drilled, it is impossible to turn the locked handle to open the sash from outside.

The metal deadbolt throws into the rugged strike box (throw of 18 mm), thus preventing the sash from being lifted and forced open. The combination of lockable turn handle and surface-mounted lock offers high burglary inhibition.

In addition to the central locking system of the window, the surface-mounted lock provides an extra locking point. The device can be retrofitted on Tilt&Turn and Turn-Only windows with 15 mm backset gear. The adaptation to various overlap thicknesses is achieved with packers.

The mounting is simple: the surface-mounted lock is fastened to the sash with screws right underneath the handle, the strike box is positioned on the frame and fixed with screws. Instructions are supplied with the product.

Lateral space requirement

- Timber windows with 4 mm rebate clearance: 26 mm
- Timber windows with Euro-rebate: 23 mm
- PVC windows with 20 and 22 mm overlap width: 22 mm

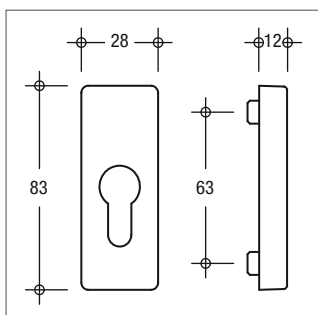
Execution

| Description | Version | Order number |
|---------------------------|-------------------------------|----------------|
| Surf.-mounted window lock | with turn handle DIRIGENT F/Z | K-14662-00-0-* |

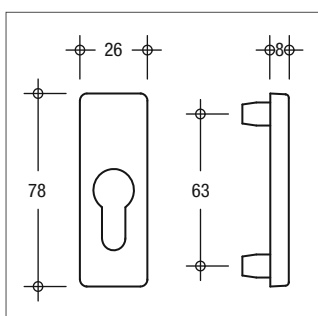
Contents of box:

- Turn handle DIRIGENT F/Z, lockable
- Square spindle 7 x 75 mm
- Surface-mounted lock
- Cover for surface-mounted lock
- Sleeve for Ø 10 mm and 12 mm (2 pcs. each)
- Strike box
- Cover for strike box
- Packers 3 mm, 4 mm, 5 mm, 6 mm (1 piece each)
- Spax countersunk screw 5 x 55 mm (7 pcs.)

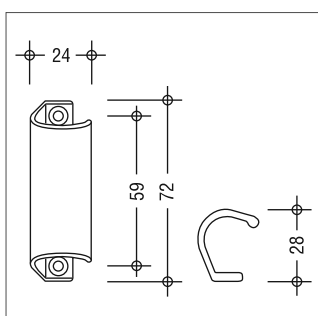
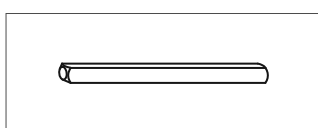
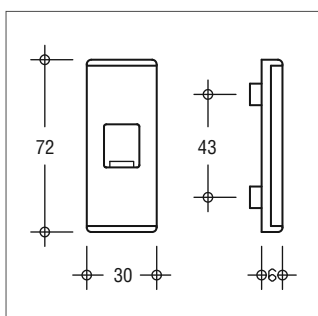
* Finish: 11 = F 1/EV 1, 5 = dark brown, 7 = white (RAL 9016)



PZ rosette, square



PZ/A rosette, square



PZ rosette, RZ rosette (Swiss round cylinder)

inside, with cylinder hole and \varnothing 10 mm positioning lugs

| PU | Description | Order number |
|---------|--------------------|---------------|
| 20 pcs. | PZ rosette, square | K-17205-02-0* |
| 20 pcs. | PZ rosette, round | K-17204-02-0* |
| 20 pcs. | RZ rosette, square | K-17205-03-0* |
| 20 pcs. | RZ rosette, round | K-17204-03-0* |

PZ/A rosette, RZ/A rosette (Swiss round cylinder)

outside, with cylinder hole and \varnothing 10 mm threaded positioning lugs

| PU | Description | Order number |
|---------|----------------------|---------------|
| 20 pcs. | PZ/A rosette, square | 9-43605-02-0* |
| 20 pcs. | PZ/A rosette, round | 9-43582-02-0* |
| 20 pcs. | RZ/A rosette, square | 9-43605-03-0* |
| 20 pcs. | RZ/A rosette, round | 9-43582-03-0* |

F cover rosette

inside - flat, with slide shutter for service handle

| PU | Description | Order number |
|---------|-----------------|---------------|
| 20 pcs. | F cover rosette | 6-24913-00-0* |

Adapter sleeve

to extend the positioning lug \varnothing from 10 to 12 mm

| Description | Order number |
|----------------|----------------|
| Adapter sleeve | 9-40496-00-0-0 |

Square spindles 7 mm

| PU | Spindle length | Sash thickness | Order number |
|----------|----------------|----------------|----------------|
| 20 pcs. | 70 mm | | 9-26874-16-0-1 |
| 20 pcs. | 118 mm | 56 - 68 mm | 9-26874-56-0-1 |
| 100 pcs. | 131 mm | 69 - 80 mm | 9-26874-69-0-1 |
| 20 pcs. | 143 mm | 81 - 92 mm | 9-26874-81-0-1 |

Fixed pull

| PU | Description | Order number |
|---------|-------------|---------------|
| 50 pcs. | Fixed pull | 9-22921-00-0* |

Countersunk screw M5 for turn handle fastening

| PU | Count. screw | Inside operation, for spindle length | Order number |
|--|--------------|--------------------------------------|--------------|
| 400 pcs. | M5 x 40 | 29 and 33 mm | 9-13255-40 |
| 1 pc. | M5 x 50 | 38 mm | 9-13255-50 |
| Operation on both sides for sash thickness | | | |
| 400 pcs. | M5 x 60 | 50 - 54 mm | 9-13255-60 |
| 400 pcs. | M5 x 65 | 55 - 59 mm | 9-13255-65 |
| 400 pcs. | M5 x 70 | 60 - 64 mm | 9-13255-70 |
| 400 pcs. | M5 x 75 | 65 - 69 mm | 9-13255-75 |
| 400 pcs. | M5 x 80 | 70 - 74 mm | 9-13255-80 |
| 400 pcs. | M5 x 85 | 75 - 80 mm | 9-13255-85 |

Table of contents

Tilt&Slide hardware



GU-mZ Tilt&Slide hardware

Introduction, product information

| | |
|---|-----|
| Introduction | 150 |
| Product information | 151 |
| Locking systems | 151 |
| Bogies, profiles and accessories..... | 151 |
| Sash configuration according to patterns A to K | 153 |

Handles and optional parts

| | |
|--|-----|
| Geared turn handles for GU-mZ | 154 |
| Turn handles for GU-mZ | 156 |
| Accessories for turn handles and geared turn handles | 164 |
| Optional parts for GU-mZ hardware | 165 |

GU-mZ central locking system

Pattern A

| | |
|--|-----|
| GU-mZ central locking system, pattern A..... | 166 |
| GU-mZ corner drives, pattern A | 168 |

Pattern C

| | |
|---|-----|
| GU-mZ central locking system, pattern C..... | 170 |
| GU-mZ corner drives, pattern C | 172 |
| Variant 1: both sashes with geared turn handle and vertical extension | 174 |
| Variant 2: both sashes with turn handle and gear | 175 |
| Variant 3: active sash with vertical extension and geared turn handle, passive sash with ZH lever-operated gear | 176 |
| Variant 4: active sash with vertical extension and geared turn handle, passive sash with ZK lever-operated gear..... | 177 |

Packing units and single pieces

| | |
|---|-----|
| Centre piece, vertical..... | 178 |
| Lockable GU-mZ gear, profile cylinder | 179 |
| Lockable GU-mZ gear, round cylinder | 180 |
| ZH and ZK lever-operated gears..... | 182 |
| Lockable GU-mZ gear, pattern C | 183 |
| Rebate shoot bolt extension | 184 |
| Gear extension | 185 |
| Horizontal extension..... | 186 |
| Centre stay with stay arm slide block | 187 |
| GU-966/150 bogies | 188 |
| GU-966/200 bogies | 189 |
| GU-966/150 profiles and accessories..... | 190 |
| GU-966/200 profiles and accessories..... | 191 |

Drilling jigs and templates, installation drawings

| | |
|---|-----|
| Drilling jigs and templates for GU-mZ..... | 192 |
| Overview of T&S GU-mZ installation drawings | 193 |

GU-mZ strikers, engaging strikers

| | |
|---|-----|
| GU-mZ strikers and engaging strikers, PVC systems | 194 |
| GU-mZ strikers and engaging strikers, PVC systems | 196 |

GU-oZ Tilt&Slide hardware

Introduction, product information

Introduction206
 Product information207
 Locking systems207
 Bogies, profiles and accessories.....207
 Sash configuration according to patterns A to K209

Handles and optional parts

Turn handles and accessories for GU-oZ210

GU-oZ central locking system

GU-966/150 oZ with interior turn handle – gear 15BS211
 GU-966/150 oZ with interior turn handle – PC gear212
 GU-966/100 oZ bb with interior turn handle – gear 15BS.....213
 GU-966/100 oZ bb with interior turn handle – PC gear.....214
 GU-90 oZ with interior turn handle – gear 15BS215
 GU-90 oZ with interior turn handle – PC gear216

Bogies, profiles and accessories

GU-966/150 oZ bogies, profiles and accessories217
 GU-966/100 oZ bb bogies, profiles and accessories.....218
 GU-90 oZ bogies, profiles and accessories219

Drilling jigs and templates

GU-966/150 oZ, GU-966/100 oZ bb, GU-90 oZ220

GU-oZ strikers, engaging strikers

Strikers and engaging strikers according to profile system221

Tilt&Slide hardware

Introduction



Contents

The GU order catalogue contains all Tilt&Slide hardware systems and accessories according to the latest state of the art. The following information will make you familiar with the catalogue structure which is conceived in a way to facilitate your daily work.

Catalogue structure

The GU order catalogue is structured as follows:

- Optional parts and turn handles
- Hardware sets
- Drilling jigs and templates
- Strikers, engaging strikers

The catalogue is structured to meet the requirements of the customers.

Optional parts and turn handles

Optional parts and turn handles for the complete Tilt&Slide hardware range are presented on special pages and can be viewed at a glance.

All supplements of standard hardware versions are clearly arranged.

Locking systems

Hardware requirements depending on sash size for patterns A to K

The hardware illustrations are accompanied by product tables helping to determine hardware requirements depending on the sash size.

Parts for supplementing standard hardware versions are clearly presented and can be selected easily.

Bogies, profiles and accessories

Hardware requirements for patterns A to K

The hardware illustrations are accompanied by product tables helping to determine hardware requirements.

Parts for supplementing standard hardware versions are clearly presented and can be selected easily.

Drilling jigs and templates

Drilling jigs, templates and hardware assembly tools are listed according to hardware variants.

Strikers, engaging strikers

Strikers and engaging strikers are listed according to hardware type, profile system and the required burglar resistance.

Order numbers

The order number gives information about

- the product,
- its size,
- its application – e.g. DIN LH or DIN RH – and
- its colour.

Example

Order number

6-23830-01-0-1

6-23830- - - order number
-01- - size
- - -L- left handed assembly (handle on the left)
- - -R- right handed assembly (handle on the right)
- - -0- non-handed
- - -1 F 1/EV 1, natural (silver) colour,
ferGUard*silver
- - -2 F 2/EV 2, nickel silver / champaign colour
- - -3 F 3, brass colour or gold colour
- - -4 UC 3, medium bronze colour or medium brown
- - -A F 4, bronze colour
- - -B brass
- - -C titanium colour
- - -5 UC 5, dark bronze colour or dark brown
(RAL 8022)
- - -6 onyx-matt or black (RAL 9005)
- - -7 white (RAL 9016)
- - -8 stainless steel or stainless steel colour
- - -* various finishes available

If the last digit of the order number is an asterisk (*), various colours are available which can be taken from the price list.

Prices

GU gross price list

The prices are listed by ascending order numbers.

Additional sales documents

Apart from the order catalogue, the following documents on Tilt&Slide hardware are available:

- Brochures giving information about product features and benefits
- Direct mail from architectural hardware retailers
- Installation drawings with hardware installation instructions
- Instructions for maintenance and care

Application

Possible applications of GU Tilt&Slide hardware:

- Tilt&Slide balcony-door elements with 2 to 4 sashes.
- Tilt&Slide window elements with 2 to 4 sashes. with roller tracks and guide rails, each.

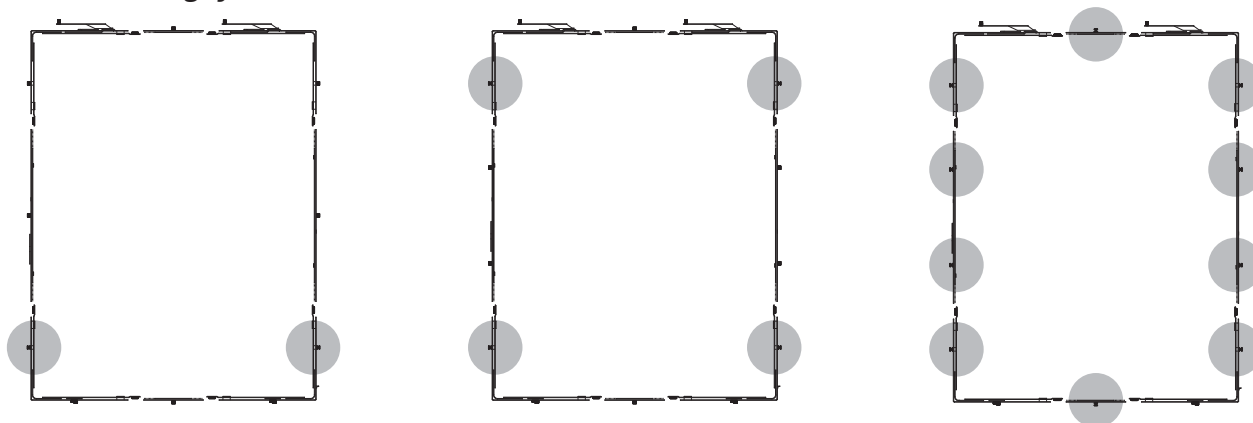
Locking systems

GU-mZ power-controlled Tilt&Slide locking system

The power-controlled GU-mZ locking system features one-handle operation and a retracting distance of 118 mm. The drive gear side is provided with an extension for a geared turn handle or with a lockable gear with 25, 30, 35, 40, 45 or 50 mm backset prepared for the installation of a profile cylinder, or a lockable gear with 30 or 40 mm backset for a Swiss round cylinder.

All locking parts are designed for a 16 mm hardware groove. Central locking system, stays and corner drives feature adjustable locking cams. Additional locking cams (LC) are provided from a sash width of 720 mm and a sash height of 996 mm. Stays and corner drives feature 4-leaf stainless steel springs.

GU-mZ locking system



Basic security

2 Sec mushroom cam strikers of steel for corner drives

- Standard security for Tilt&Slide locking systems
- All further locking points are provided with standard strikers of zinc.



Standard strikers, zinc



Sec mushroom cam striker, steel

Enhanced basic security

4 Sec mushroom cam strikers of steel for corner drives and stays

- Enhanced security for Tilt&Slide locking systems
- All further locking points are provided with standard strikers of zinc.



Standard strikers, zinc

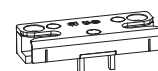


Sec mushroom cam striker, steel

Tested security RC 2

All locking points on corner drives, stays and extensions or gears are provided with Sec mushroom cam strikers of steel.

- RC 2 security according to EN 1627:2011



Sec mushroom cam striker, steel

GU-966/200 mZ SRW 720-2000 mm [1], SRH 820-2370 mm
 GU-966/150 mZ SRW 720-1600 mm, SRH 820-2370 mm
 [1] From 181 kg sash weight or SRW 1851-2000 mm an additional stay is required.

Bogies, profiles and accessories

GU-966/200 Tilt&slide hardware

Tilt&Slide hardware with 4-roll bogies with clamp-fixed connecting rod for windows and balcony-doors with sash widths SW up to 2000 mm and sash weights up to 200 kg. The rolls consist of deep-groove ball bearings with plastic sheathing. Tandem bogies for sashes with special, heavy glazing.

GU-966/200 mZ for sash weights up to 200 kg

GU-966/150 Tilt&Slide hardware

Tilt&Slide hardware with 4-roll bogies with clamp-fixed connecting rod for windows and balcony-doors with sash widths SW up to 1600 mm and sash weights up to 150 kg.

The rolls consist of deep-groove ball bearings with plastic sheathing.

GU-966/150 mZ for sash weights up to 150 kg

Tilt&Slide hardware

Product information



Strikers, engaging strikers

The strikers and engaging strikers for various PCV frame profiles must be selected according to table.

Drilling jigs, templates

Templates and drilling jigs required for hardware installation are specified in the installation drawings.

DIRIGENT turn handles

The attachment of the aluminium turn handles is concealed. The handle rosettes are provided with a sturdy detent mechanism and fixed lugs. Turn handles with PC hole and turn handle sets for both sides complete the programme.

Standard colours:

| | |
|-------------------|-----------------------|
| F 1/EV 1 | silver colour |
| F 2/EV 2 | champaign colour |
| F 3 | gold colour |
| F 4 | light brown |
| Dark brown | dark brown (RAL 8022) |
| Black | black (RAL 9005) |
| White | white (RAL 9016) |

Standard turn handles

Standard turn handles for GU-966/200 mZ and GU-966/150 mZ Tilt&Slide hardware systems are geared turn handles with anti-lockout device.

P 1213, P 1300, P 1585, P 1664 roller tracks

Range of aluminium roller tracks for use with Tilt&Slide elements fitted with standard or special hardware versions.

P 1225 guide rail

aluminium guide rail for Tilt&Slide sashes.
Serves as upper closure of the element, available with buffer on request.

Standard surface sealing of Tilt&Slide hardware: ferGUard*silver

The hardware components are made of high-quality steel, zinc die cast and aluminium alloys.

All locking components of Tilt&Slide hardware come with ferGUard*silver surface sealing.

Standard colours

Tilt&Slide hardware systems are available in the following standard colours:

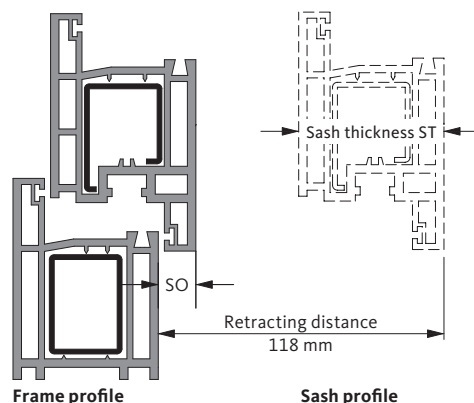
| | |
|--------------|---|
| EV 1 | Visible aluminium hardware components EV 1 anodized. cover profiles grey |
| UC 3 | Visible aluminium hardware components medium bronze anodized, cover profiles medium brown |
| UC 5 | Visible aluminium hardware components dark bronze anodized, cover profiles dark brown |
| white | Visible aluminium hardware components EV 1 anodized. cover profiles white |

Further colours and finishes on request.

Abbreviations

| | |
|-----|---------------------------|
| HH | handle height |
| LC | locking cam |
| LH | left handed |
| PC | profile cylinder hole |
| PU | packing unit |
| RC | Swiss round cylinder hole |
| RH | right handed |
| Sec | security hardware |
| SRH | sash rebate height |
| SRW | sash rebate width |
| SO | sash overlap thickness |
| ST | sash thickness |

System sketch "retracting distance"



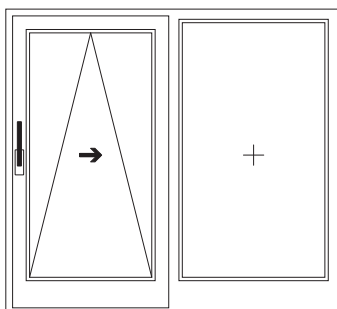
Max. sash thickness ST

| | |
|--------------------------------|--|
| Side element as fixed glazing | = 115 mm |
| Side element as Turn-Only sash | = 115 mm minus sash overlap thickness SO |

Product information of profile system manufacturers

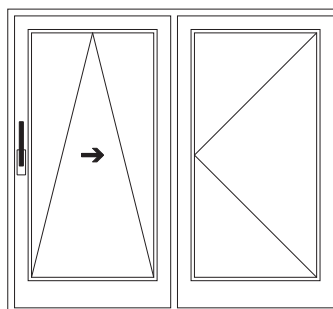
The product guidelines of the profile manufacturers regarding construction, assembly, max. sash dimensions, max. sash weights and material qualities (e.g. linear expansion) are to be observed.

Sash configuration according to patterns A to K



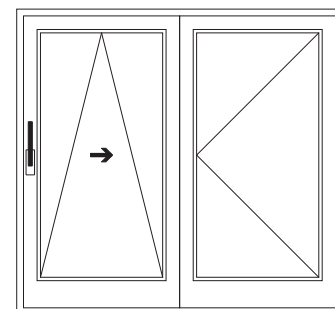
Pattern A – with fixed mullion

1 Tilt&Slide sash, 1 fixed glazing
Fig. shows LH handle



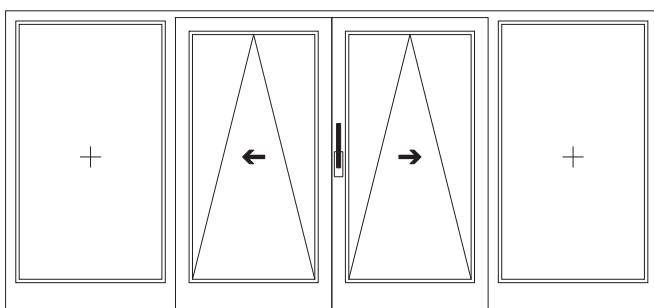
Pattern A – with fixed mullion [1]

1 Tilt&Slide sash, 1 Turn-Only sash
Fig. shows LH handle



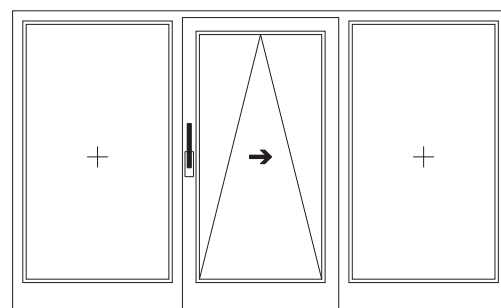
Pattern D – w/o fixed mullion [2]

1 Tilt&Slide sash, 1 Turn-Only sash
Fig. shows LH handle



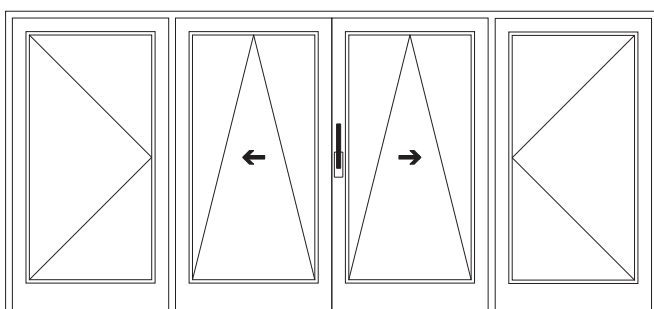
Pattern C – with two fixed mullions

2 Tilt&Slide sashes, 2 fixed glazings
Fig. shows first opening sash with LH handle



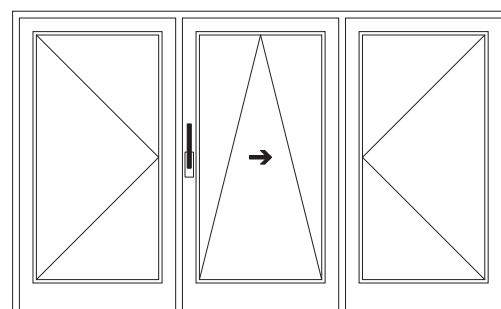
Pattern G – with two fixed mullions

1 Tilt&Slide sash, 2 fixed glazings
Fig. shows LH handle



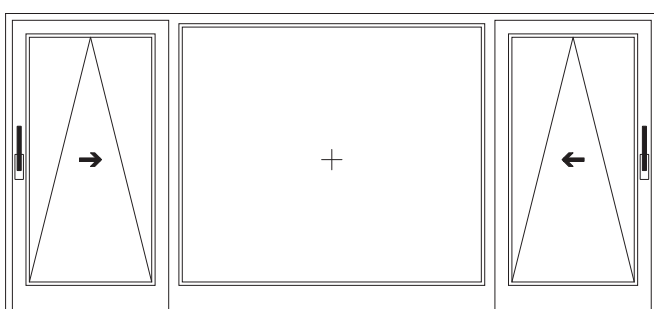
Pattern C – with two fixed mullions [1]

2 Tilt&Slide sashes, 2 Turn-Only sashes
Fig. shows first opening sash with LH handle



Pattern G – with two fixed mullions [1]

1 Tilt&Slide sash, 2 Turn-Only sashes
Fig. shows LH handle



Pattern K – with two fixed mullions

2 Tilt&Slide sashes, 1 fixed glazing
Fig. shows LH and RH handle

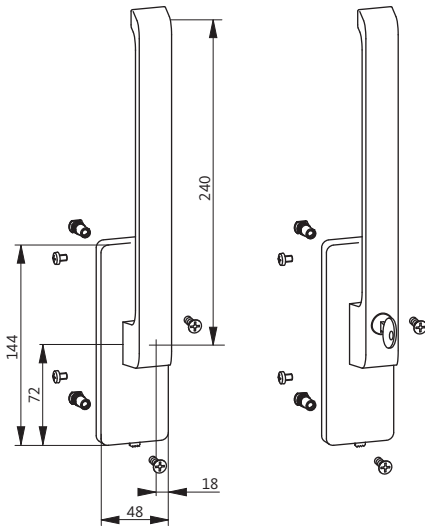
Legend:

[1] Patterns A, C and G with Turn-Only sash:
UNI-JET Turn-Only hardware with
DIRIGENT-F/SG service handle
(8-00694-50-0-*) and F-rosette/inside, flat
(6-24913-00-0-*).
strikers depending on profile

[2] Pattern D:
Turn-Only sash with UNI-JET lever-operated
gear, strikers depending on profile

Tilt&Slide hardware

Geared turn handles for GU-mZ



DIRIGENT geared turn handle with anti-lockout device

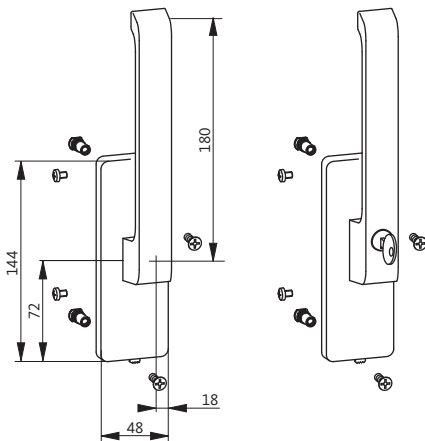
| Description | Material | Handle side | Lockable. keyed alike | Order no. |
|---------------------------------------|-----------------|-------------|-----------------------|----------------|
| DIRIGENT GU-mZ geared turn handle set | aluminium | LH | no | K-12920-00-L* |
| DIRIGENT GU-mZ geared turn handle set | aluminium | RH | no | K-12920-00-R* |
| DIRIGENT GU-mZ geared turn handle set | aluminium | LH | yes | K-13971-02-L* |
| DIRIGENT GU-mZ geared turn handle set | aluminium | RH | yes | K-13971-02-R* |
| DIRIGENT GU-mZ geared turn handle set | stainless steel | LH | no | K-17241-00-L-8 |
| DIRIGENT GU-mZ geared turn handle set | stainless steel | RH | no | K-17241-00-R-8 |
| DIRIGENT GU-mZ geared turn handle set | stainless steel | LH | yes | K-17243-00-L-8 |
| DIRIGENT GU-mZ geared turn handle set | stainless steel | RH | yes | K-17243-00-R-8 |
| DIRIGENT GU-mZ geared turn handle set | brass | LH | no | K-12920-00-L-B |
| DIRIGENT GU-mZ geared turn handle set | brass | RH | no | K-12920-00-R-B |

Set contents:

- 1 geared turn handle
- 2 fillister head screws M 5 x 6 for coupling
- 2 countersunk screws M 5 x 20
- 2 sleeve nuts

Handle length 240 mm

Depth 76 mm



DIRIGENT-HL geared turn handle with anti-lockout device

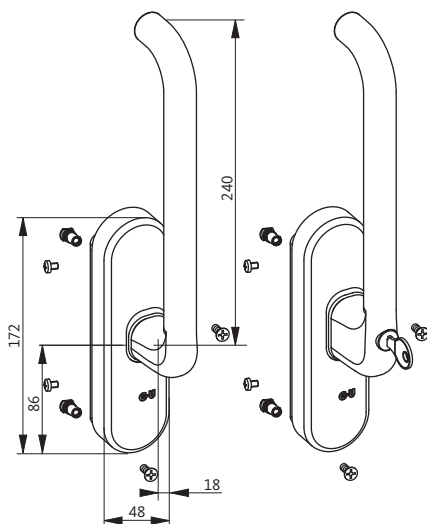
| Description | Material | Handle side | Lockable. keyed alike | Order no. |
|------------------------------------|-----------|-------------|-----------------------|---------------|
| DIRIGENT-HL geared turn handle set | aluminium | LH | no | K-15328-00-L* |
| DIRIGENT-HL geared turn handle set | aluminium | RH | no | K-15328-00-R* |
| DIRIGENT-HL geared turn handle set | aluminium | LH | yes | K-15329-02-L* |
| DIRIGENT-HL geared turn handle set | aluminium | RH | yes | K-15329-02-R* |

Set contents:

- 1 geared turn handle
- 2 fillister head screws M 5 x 6 for coupling
- 2 countersunk screws M 5 x 20
- 2 sleeve nuts

Handle length 180 mm

Depth 76 mm



RONDO geared turn handle with anti-lockout device

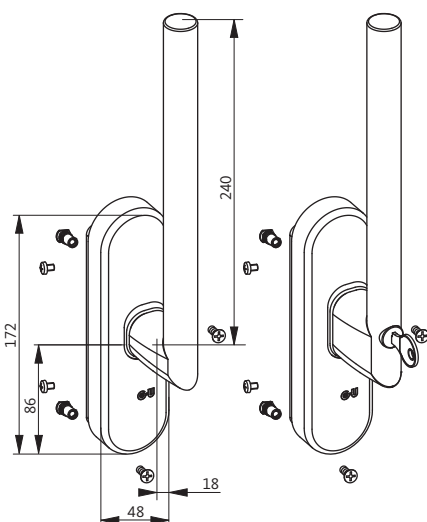
| Description | Material | Handle side | Lockable. keyed alike | Order no. |
|---------------------------------------|-----------------|-------------|-----------------------|----------------|
| DIRIGENT GU-mZ geared turn handle set | stainless steel | LH | no | K-17246-00-L-8 |
| DIRIGENT GU-mZ geared turn handle set | stainless steel | RH | no | K-17246-00-R-8 |
| DIRIGENT GU-mZ geared turn handle set | stainless steel | LH | yes | K-17248-00-L-8 |
| DIRIGENT GU-mZ geared turn handle set | stainless steel | RH | yes | K-17248-00-R-8 |

Set contents:

- 1 geared turn handle
- 2 fillister head screws M 5 x 6 for coupling
- 2 countersunk screws M 5 x 20
- 2 sleeve nuts

Handle length 240 mm

Depth 76 mm



FORTE geared turn handle with anti-lockout device

| Description | Material | Handle side | Lockable. keyed alike | Order no. |
|------------------------------------|-----------------|-------------|-----------------------|----------------|
| FORTE GU-mZ geared turn handle set | stainless steel | LH | no | K-17252-00-L-8 |
| FORTE GU-mZ geared turn handle set | stainless steel | RH | no | K-17252-00-R-8 |
| FORTE GU-mZ geared turn handle set | stainless steel | LH | yes | K-17254-00-L-8 |
| FORTE GU-mZ geared turn handle set | stainless steel | RH | yes | K-17254-00-R-8 |

Set contents:

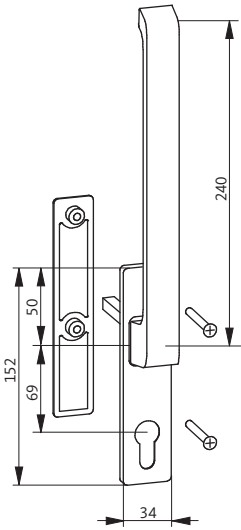
- 1 geared turn handle
- 2 fillister head screws M 5 x 6 for coupling
- 2 countersunk screws M 5 x 20
- 2 sleeve nuts

Handle length 240 mm

Depth 76 mm

Tilt&Slide hardware

Turn handles for GU-mZ



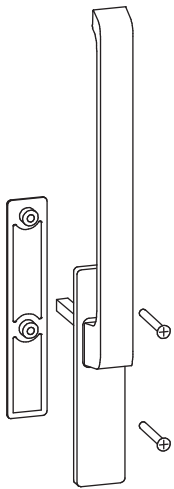
DIRIGENT turn handle inside and outside cover

| Description | Material | Variant | Cylinder hole | Order no. |
|--|-----------------|-----------|---------------|----------------|
| DIRIGENT turn handle set inside, GU-mZ | aluminium | with lugs | with PC hole | K-12918-00-0* |
| DIRIGENT turn handle set inside, GU-mZ | stainless steel | with lugs | with PC hole | K-16925-00-0-8 |

Set contents:

- 1 turn handle inside
- 1 cover outside
- 2 countersunk screws M 6 x 75

Handle length 240 mm
Depth 76 mm



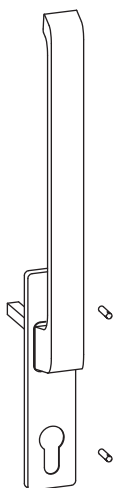
DIRIGENT turn handle inside and outside cover

| Description | Material | Variant | Cylinder hole | Order no. |
|--|-----------------|-----------|---------------|----------------|
| DIRIGENT turn handle set inside, GU-mZ | aluminium | with lugs | w/o PC hole | K-12921-00-0* |
| DIRIGENT turn handle set inside, GU-mZ | stainless steel | with lugs | w/o PC hole | K-16924-00-0-8 |

Set contents:

- 1 turn handle inside
- 1 cover outside
- 2 countersunk screws M 6 x 75

Handle length 240 mm
Depth 76 mm


DIRIGENT turn handle inside

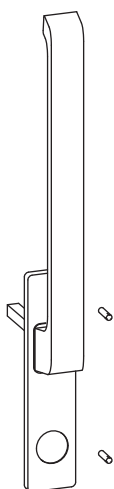
| Description | Material | Variant | Cylinder hole | Order no. |
|--|-----------------|--------------|---------------|----------------|
| DIRIGENT turn handle set inside, GU-mZ | aluminium | with lugs | with PC hole | 6-24622-00-0-* |
| DIRIGENT turn handle set inside, GU-mZ | aluminium | without lugs | with PC hole | 6-24623-00-0-* |
| DIRIGENT turn handle set inside, GU-mZ | stainless steel | without lugs | with PC hole | K-16923-00-0-8 |

Set contents:

- 1 turn handle inside
- 2 conical notched pins (6-24623)

Handle length 240 mm

Depth 76 mm


DIRIGENT turn handle inside with RC 22 hole

| Description | Material | Variant | Cylinder hole | Order no. |
|--|-----------|--------------|---------------|----------------|
| DIRIGENT turn handle set inside, GU-mZ | aluminium | with lugs | with RC hole | 6-25166-90-0-* |
| DIRIGENT turn handle set inside, GU-mZ | aluminium | without lugs | with RC hole | 6-25167-00-0-* |

Set contents:

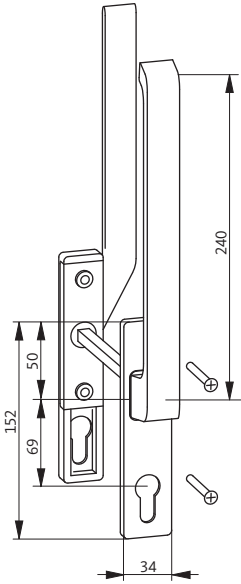
- 1 turn handle inside
- 2 conical notched pins (6-24623)

Handle length 240 mm

Depth 76 mm

Tilt&Slide hardware

Turn handles for GU-mZ

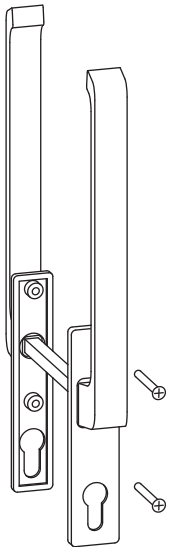


DIRIGENT turn handle both sides

| Description | Material | Variant | Cylinder hole | Depth of outer handle | Order no. |
|--|-----------|-----------|---------------|-----------------------|---------------|
| DIRIGENT turn handle set both sides, GU-mZ | aluminium | with lugs | with PC hole | 20 mm | K-13167-00-0* |

- Set contents:
 1 turn handle both sides
 2 countersunk screws M 6 x 75

Handle length 240 mm
Depth 76 mm

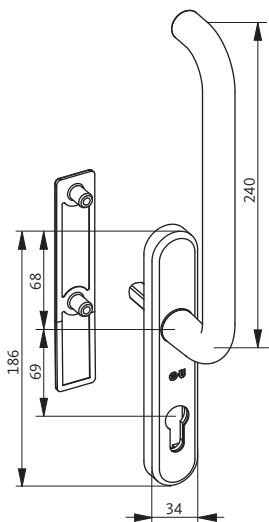


DIRIGENT turn handle both sides

| Description | Material | Variant | Cylinder hole | Depth of outer handle | Order no. |
|--|-----------|-----------|---------------|-----------------------|---------------|
| DIRIGENT turn handle set both sides, GU-mZ | aluminium | with lugs | with PC hole | 30 mm | K-12919-00-0* |

- Set contents:
 1 turn handle both sides
 2 countersunk screws M 6 x 75

Handle length 240 mm
Depth 76 mm



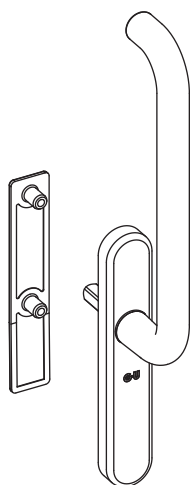
RONDO turn handle inside and outside cover – stainless steel

| Description | Material | Variant | Cylinder hole | Order no. |
|-------------------------------------|-----------------|-----------|---------------|----------------|
| RONDO turn handle set inside, GU-mZ | stainless steel | with lugs | with PC hole | K-16928-00-0-8 |

- Set contents:
- 1 turn handle inside
 - 1 cover outside
 - 2 countersunk screws M 6 x 75

Handle length 240 mm
Depth 76 mm

B



RONDO turn handle inside and outside cover – stainless steel

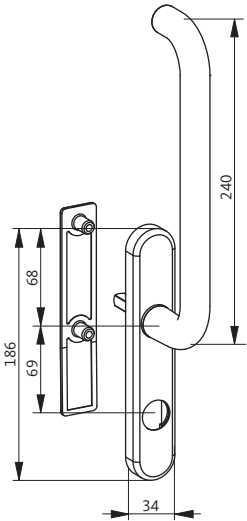
| Description | Material | Variant | Cylinder hole | Order no. |
|-------------------------------------|-----------------|-----------|---------------|----------------|
| RONDO turn handle set inside, GU-mZ | stainless steel | with lugs | w/o PC hole | K-16927-00-0-8 |

- Set contents:
- 1 turn handle inside
 - 1 cover outside
 - 2 countersunk screws M 6 x 75

Handle length 240 mm
Depth 76 mm

Tilt&Slide hardware

Turn handles for GU-mZ

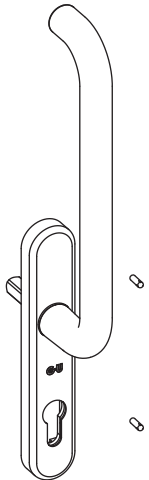


RONDO turn handle inside with RC 22 hole – stainless steel / outside cover – stainless steel

| Description | Material | Variant | Cylinder hole | Order no. |
|-------------------------------------|-----------------|--------------|---------------|----------------|
| RONDO turn handle set inside, GU-mZ | stainless steel | without lugs | with RC hole | K-16929-00-0-8 |

- Set contents:
 1 turn handle both sides
 2 countersunk screws M 6 x 75

Handle length 240 mm
Depth 76 mm



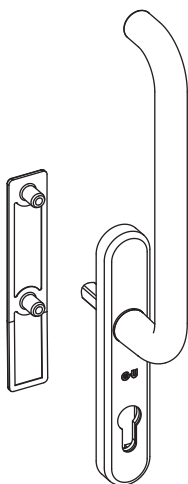
RONDO turn handle inside – stainless steel

| Description | Material | Variant | Cylinder hole | Order no. |
|-------------------------------------|-----------------|--------------|---------------|--------------------|
| RONDO turn handle set inside, GU-mZ | stainless steel | without lugs | with PC hole | K-16926-00-0-8 [1] |

[1] alternatively with finishes 1, 5, 7

- Set contents:
 1 turn handle inside
 2 conical notched pins 4 x 20

Handle length 240 mm
Depth 76 mm



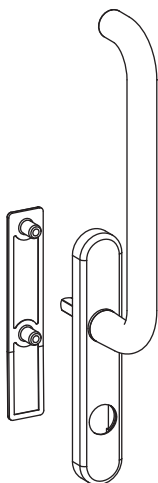
RONDO turn handle inside – stainless steel / outside cover – aluminium

| Description | Material | Variant | Cylinder hole | Order no. |
|-------------------------------------|-------------------------------|-----------|---------------|--------------------|
| RONDO turn handle set inside, GU-mZ | stainless steel and aluminium | with lugs | with PC hole | K-17207-00-0-* [2] |

[2] Colour 1 = EV 1; 5 = UC 5; 7 = white

- Set contents:
- 1 turn handle inside
 - 1 cover outside
 - 2 countersunk screws M 6 x 75

Handle length 240 mm
Depth 76 mm



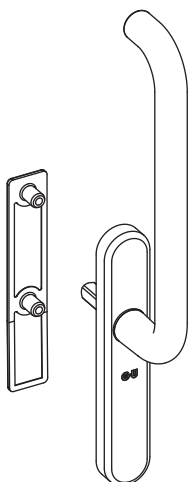
RONDO turn handle inside with RC 22 hole – stainless steel / outside cover – aluminium

| Description | Material | Variant | Cylinder hole | Order no. |
|-------------------------------------|-------------------------------|-----------|---------------|--------------------|
| RONDO turn handle set inside, GU-mZ | stainless steel and aluminium | with lugs | with RC hole | K-17208-00-0-* [2] |

[2] Colour 1 = EV 1; 5= UC5; 7= white

- Set contents:
- 1 turn handle inside
 - 1 cover outside
 - 2 countersunk screws M 6 x 75

Handle length 240 mm
Depth 76 mm



RONDO turn handle inside – stainless steel / outside cover – aluminium

| Description | Material | Variant | Cylinder hole | Order no. |
|-------------------------------------|-------------------------------|-----------|---------------|--------------------|
| RONDO turn handle set inside, GU-mZ | stainless steel and aluminium | with lugs | w/o PC hole | K-17206-00-0-* [2] |

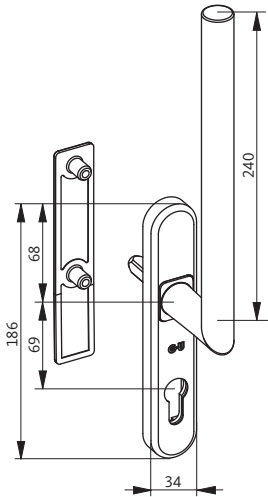
[2] Colour 1 = EV 1; 5 = UC 5; 7 = white

- Set contents:
- 1 turn handle inside
 - 1 cover outside
 - 2 countersunk screws M 6 x 75

Handle length 240 mm
Depth 76 mm

Tilt&Slide hardware

Turn handles for GU-mZ

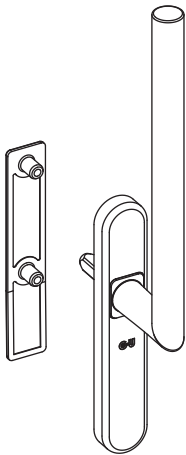


FORTE turn handle inside and outside cover – stainless steel

| Description | Material | Variant | Cylinder hole | Order no. |
|-------------------------------------|-----------------|-----------|---------------|----------------|
| FORTE turn handle set inside, GU-mZ | stainless steel | with lugs | with PC hole | K-17049-00-0-8 |

- Set contents:
 1 turn handle inside
 1 cover outside
 2 countersunk screws M 6 x 75

Handle length 240 mm
Depth 76 mm

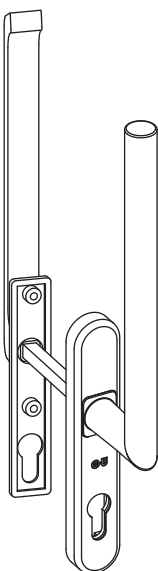


FORTE turn handle inside and outside cover – stainless steel

| Description | Material | Variant | Cylinder hole | Order no. |
|-------------------------------------|-----------------|-----------|---------------|----------------|
| FORTE turn handle set inside, GU-mZ | stainless steel | with lugs | w/o PC hole | K-17048-00-0-8 |

- Set contents:
 1 turn handle inside
 1 cover outside
 2 countersunk screws M 6 x 75

Handle length 240 mm
Depth 76 mm

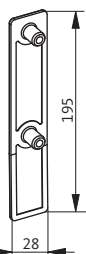


FORTE turn handle inside, DIRIGENT turn handle outside

| Description | Material | Variants | Cylinder hole | Depth of outer handle | Order no. |
|------------------------------------|-----------------|-----------|---------------|-----------------------|----------------|
| Turn handles set both sides, GU-mZ | stainless steel | with lugs | with PC hole | 30 mm | K-17050-00-0-8 |

- Set contents:
 1 turn handle both sides
 2 countersunk screws M 6 x 75

Handle length 240 mm
Depth 76 mm



Outside cover – stainless steel

| Description | Material | Variants | Cylinder hole | Order no. |
|---------------|-----------------|-----------|---------------|----------------|
| Outside cover | stainless steel | with lugs | - | 9-42833-00-0-8 |



Outside cover – aluminium

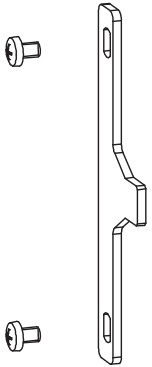
| Description | Material | Variants | Cylinder hole | Order no. |
|---------------|-----------|-----------|---------------|--------------------|
| Outside cover | aluminium | with lugs | - | 9-30489-00-0-* [2] |

[2] Colour 1 = EV 1; 5 = UC 5; 7 = white

B

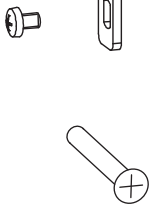
Tilt&Slide hardware

Accessories for turn handles and geared turn handles



Coupling set for GU-mZ geared handle

| SO [mm] | Axis [mm] | PU [qty.] | Order no. |
|-----------|-----------|-----------|----------------|
| 21.5 - 28 | 13 | 1 | K-15669-00-0-1 |



DIN 965 countersunk screw, turn handle inside – no handle or flush pull handle outside

| ST [mm] | Description | PU [qty.] | Order no. |
|-----------|-------------|-----------|----------------|
| From – 60 | M6 x 65 | 1 | 9-13274-65-0-1 |
| 61 – 65 | M6 x 70 | 1 | 9-13274-70-0-1 |
| 66 – 70 | M6 x 75 | 1 | 9-13274-75-0-1 |
| 71 – 75 | M6 x 80 | 1 | 9-13274-80-0-1 |
| 76 – 80 | M6 x 85 | 1 | 9-13274-85-0-1 |
| 81 – 85 | M6 x 90 | 1 | 9-13274-90-0-1 |



Countersunk screw DIN 965 for handle on both sides

| ST [mm] | Description | PU [qty.] | Order no. |
|-----------|-------------|-----------|----------------|
| From – 60 | M6 x 75 | 1 | 9-13274-75-0-1 |
| 61 – 65 | M6 x 80 | 1 | 9-13274-80-0-1 |
| 66 – 70 | M6 x 85 | 1 | 9-13274-85-0-1 |
| 71 – 78 | M6 x 90 | 1 | 9-13274-90-0-1 |



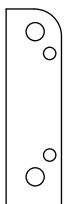
SPAX - countersunk screw DIN 965 for handle on both sides

| ST [mm] | Description | PU [qty.] | Order no. |
|---------|-------------|-----------|----------------|
| - | 4 x 12 | 100 | 9-13246-12-R-3 |
| - | 4 x 20 | 100 | 9-13246-20-R-3 |
| - | 5 x 35 | 100 | 9-13295-35-R-1 |
| - | 5 x 55 | 100 | 9-13295-55-R1 |



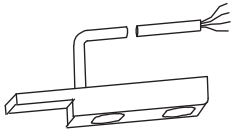
Protective cap for lever

| ST [mm] | Description | PU [qty.] | Order no. |
|---------|----------------|-----------|----------------|
| - | Protective cap | 1 | 9-34300-00-0-9 |



Anti-drill plate for gear

| ST [mm] | Description | PU [qty.] | Order no. |
|---------|---------------------------|-----------|----------------|
| - | Anti-drill plate for gear | 1 | 9-43859-00-0-0 |



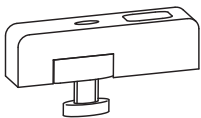
Striker with electronic component

| Description | PU [qty.] | Order no. |
|--|-----------|----------------|
| Striker with electronic component WZ 0-44816, 0-43463 | 1 | 6-28659-01-0-1 |



Detecting pin

| Description | PU [qty.] | Order no. |
|---|-----------|----------------|
| Detecting pin Installation drawings 0-44816, 0-43463 | 1 | 6-29460-00-0-0 |



Buffer for P 1225 guide rail

| Description | PU [qty.] | Order no. |
|-------------------|-----------|----------------|
| Buffer for P 1225 | 1 | 6-30388-00-0-6 |



Roller tracks for thick sash profiles

| Description | Sash overlap thickness [mm] | Length [mm] | Order no. |
|---|-----------------------------|-------------|----------------|
| P 1585 roller track for GU-966/200 mZ with 4 mm greater retracting distance | from 18 | 6700 | 9-38213-67-0-* |



Roller tracks for thick sash profiles

| Description | Sash overlap thickness [mm] | Length [mm] | Order no. |
|---|-----------------------------|-------------|----------------|
| P 1664 roller track for GU-966/150 mZ with 4 mm greater retracting distance | from 18 | 6700 | 9-40033-67-0-* |

Tilt&Slide hardware

GU-mZ central locking system, pattern A



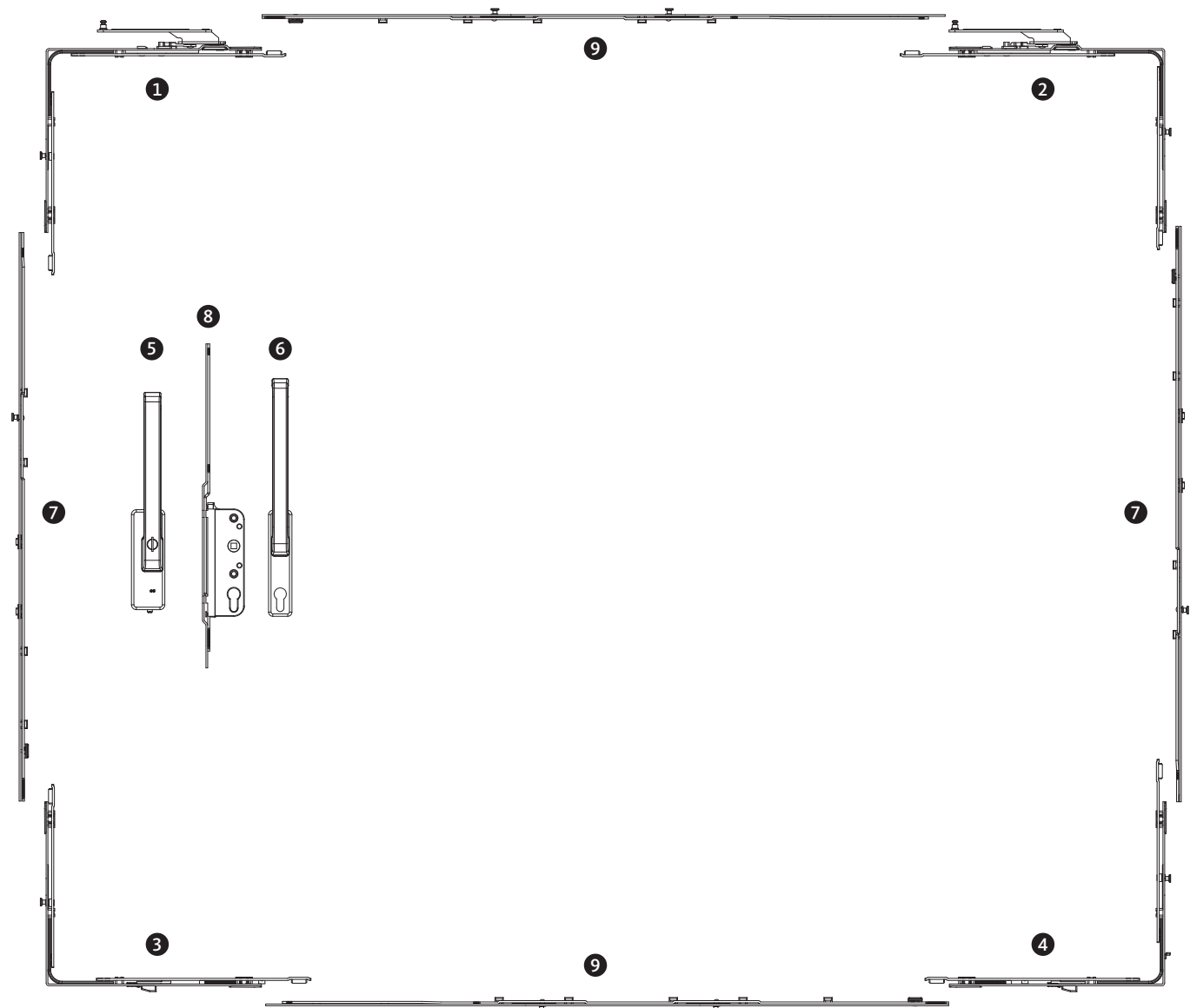
Possible hardware versions

Hardware overview for pattern A

Various gear and handle variants, 9 mm and 13 mm axis

The hardware versions are selected according to requirements and depending on the profile.

Figure shows handle on the left



Information on pattern A hardware version:

A Tilt&slide hardware set for pattern A consists of 4 corner drives, 2 vertical extensions, 2 horizontal extensions, 1 bogie set, 1 profile set and the strikers which can vary in number and design depending on sash size and security requirements. Further articles can be added as an option.

Installation drawings:

| | |
|--|---------|
| GU-966/150 mZ PCV | 0-45891 |
| GU-966/200 mZ PCV | 0-45817 |
| GU-966/200 mZ tandem bogie and centre stay | 0-45569 |
| Positioning jigs for GU-mZ conversion kit | 0-45644 |

| Hardware overview: | Page: |
|--------------------------------|---------|
| ■ Geared turn handle set [5] | 154-155 |
| ■ Turn handle set [6] | 156-163 |
| ■ Optional parts [no picture] | 165 |
| ■ Stays set [1, 2, 3, 4] | 169 |
| ■ Vertical extension [7] | 178 |
| ■ Lockable gear [8] | 179-181 |
| ■ Horizontal extension [9] | 186 |
| ■ Centre stay set [no picture] | 187 |
| ■ Gear extensions [no picture] | 185 |

Application range:

SRW 720 – 2000 mm

SRH 820 – 2370 mm

Max. sash weight 200 kg

Tilt&Slide hardware

GU-mZ corner drives, pattern A

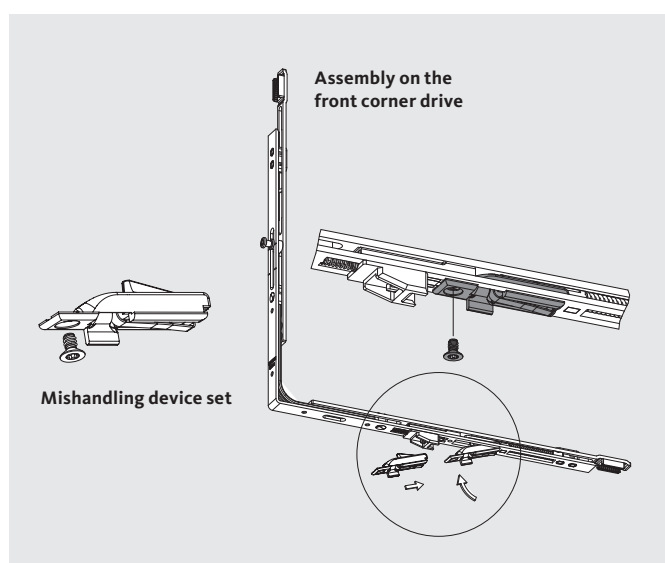


On the next pages you will find all details of Tilt&Slide stays and Tilt&Slide corner drives as well as the contents of the corresponding packing units.

The hardware sets are ordered in LH or RH version for 9 mm or 13 mm axis.

The Tilt&Slide component assembly "GU-mZ stays set" which also contains the GU-mZ corner drives is ordered using a single order number; this applies to all sash configuration patterns.

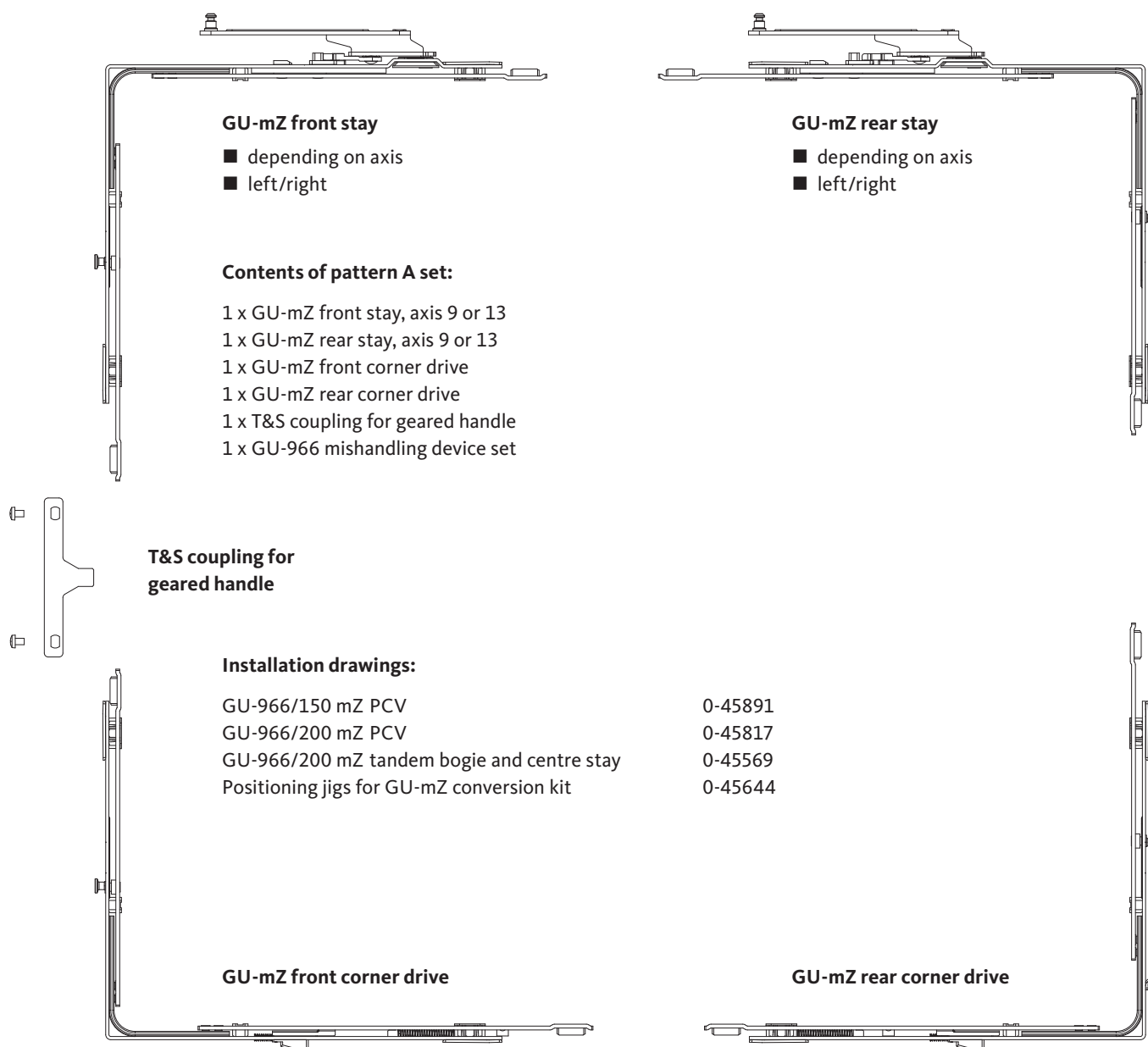
A left handed or right handed hardware version is always determined by the first opening sash.



Mishandling device

Due to the mishandling device, the central locking system can only be actuated with the sash in tilt position. Mishandling in open position is impossible.

LH or RH version, axis 9 or 13 mm



B

Order numbers of T&S GU-mZ stays

| Pattern | | | | Description | Faceplate. horizontal [mm] | Faceplate. vertical [mm] | LC vertically [qty.] | LC horizontally [qty.] | PU [qty.] | Order no. |
|---------|---|---|---|-------------------------|----------------------------|--------------------------|----------------------|------------------------|-----------|----------------|
| A | D | G | K | | | | | | | |
| 1 | 1 | 1 | 2 | GU-mZ stays axis 9 set | 309 | 264 | 4 | - | 1 | K-16993-09-L-1 |
| | | | | GU-mZ stays axis 9 set | 309 | 264 | 4 | - | 1 | K-16993-09-R-1 |
| | | | | GU-mZ stays axis 13 set | 309 | 264 | 4 | - | 1 | K-16993-13-L-1 |
| | | | | GU-mZ stays axis 13 set | 309 | 264 | 4 | - | 1 | K-16993-13-R-1 |

Faceplate = faceplate of central locking component
 LC = locking cam, PU = packing unit

Tilt&Slide hardware

GU-mZ central locking system, pattern C



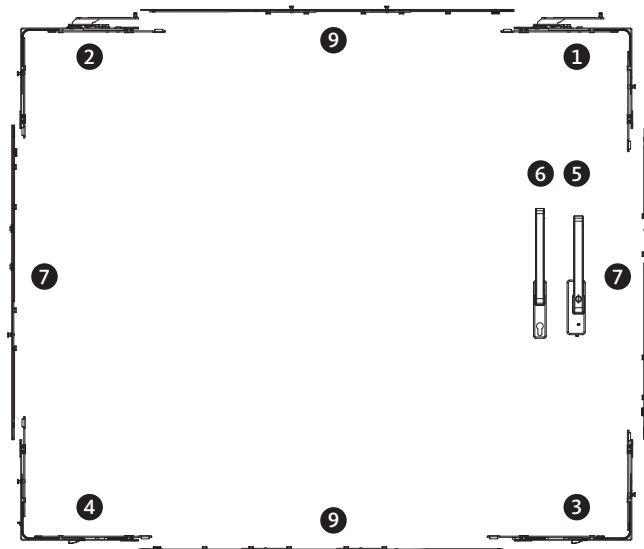
Possible hardware versions

Hardware overview for pattern C

Various gear and handle variants, 9 mm and 13 mm axis

The hardware versions are selected according to requirements and depending on the profile.

Passive sash



Active sash

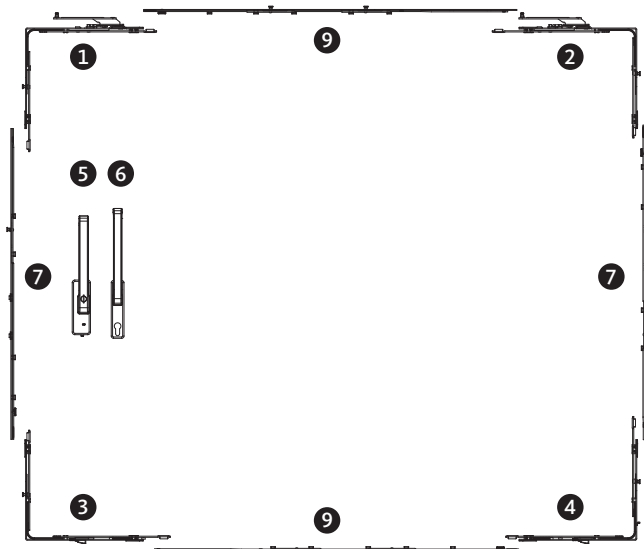


Figure shows active sash with handle on the left

Information on pattern C hardware version:

A Tilt&Slide hardware set for pattern C consists of 4 corner drives, 2 vertical extensions, 2 horizontal extensions, 1 bogie set, 1 profile set and the strikers which may vary in number and design depending on sash size and security requirements **(the items specified refer to 1 sliding sash).**

Further articles can be added as an option.

According to requirements, there are 4 different dummy mullion versions for pattern C.

For dummy mullion variants 1 to 4 refer to pages 174-177

Installation drawings:

| | |
|--|---------|
| GU-966/150 mZ PCV | 0-45891 |
| GU-966/200 mZ PCV | 0-45817 |
| GU-966/200 mZ tandem bogie and centre stay | 0-45569 |
| Positioning jigs for GU-mZ conversion kit | 0-45644 |

| Hardware overview: | Page: |
|--------------------------------|---------|
| ■ Geared turn handle set [5] | 154-155 |
| ■ Turn handle set [6] | 156-163 |
| ■ Optional parts [no picture] | 165 |
| ■ Stays set [1, 2, 3, 4] | 169 |
| ■ Vertical extension [7] | 178 |
| ■ Lockable gear [no picture] | 183 |
| ■ Horizontal extension [9] | 186 |
| ■ Centre stay set [no picture] | 187 |
| ■ Gear extensions [no picture] | 185 |

Application range:

SRW 720 – 2000 mm

SRH 820 – 2370 mm

Max. sash weight 200 kg

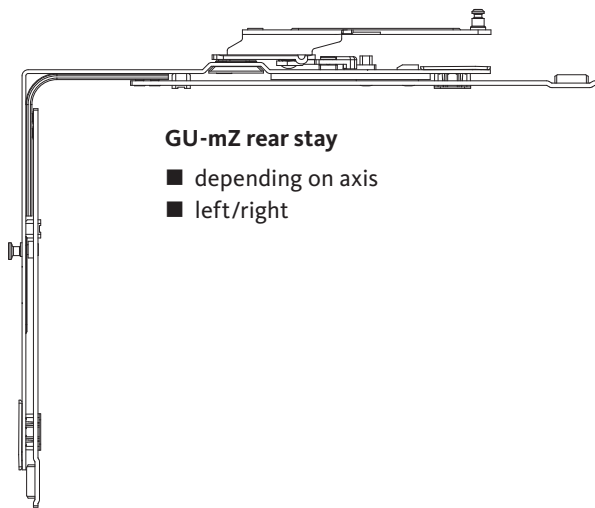
Tilt&Slide hardware

GU-mZ corner drives, pattern C



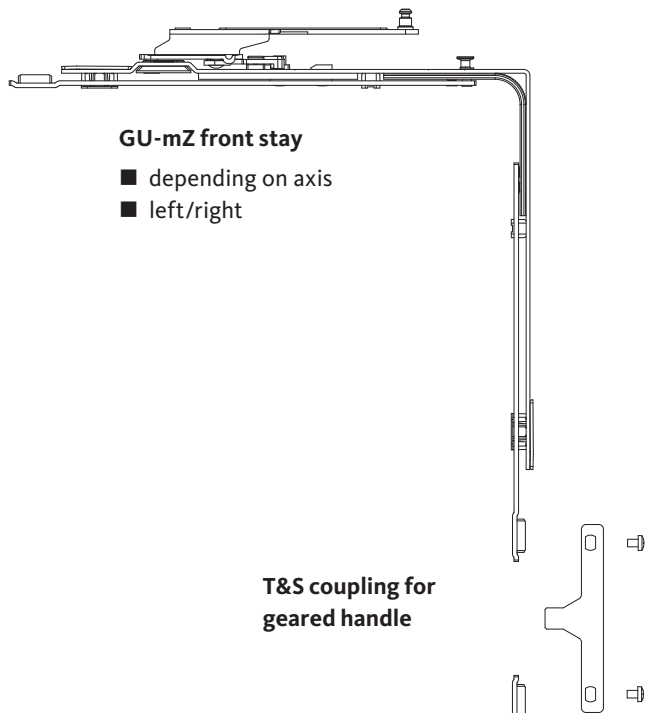
Passive sash

LH or RH version, axis 9 or 13 mm



GU-mZ rear stay

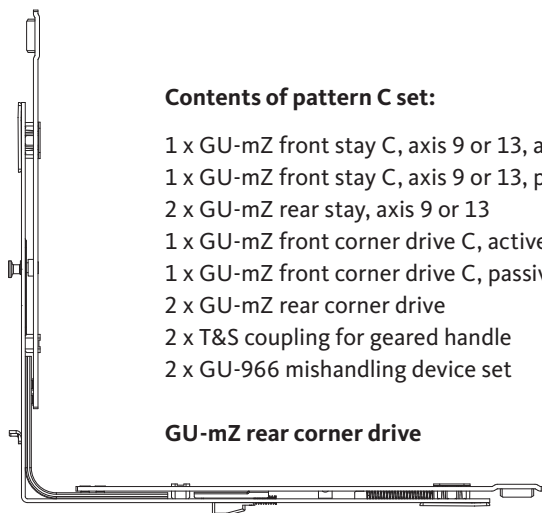
- depending on axis
- left/right



GU-mZ front stay

- depending on axis
- left/right

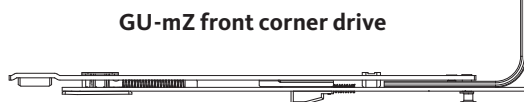
T&S coupling for geared handle



Contents of pattern C set:

- 1 x GU-mZ front stay C, axis 9 or 13, active sash
- 1 x GU-mZ front stay C, axis 9 or 13, passive sash
- 2 x GU-mZ rear stay, axis 9 or 13
- 1 x GU-mZ front corner drive C, active sash
- 1 x GU-mZ front corner drive C, passive sash
- 2 x GU-mZ rear corner drive
- 2 x T&S coupling for geared handle
- 2 x GU-966 mishandling device set

GU-mZ rear corner drive



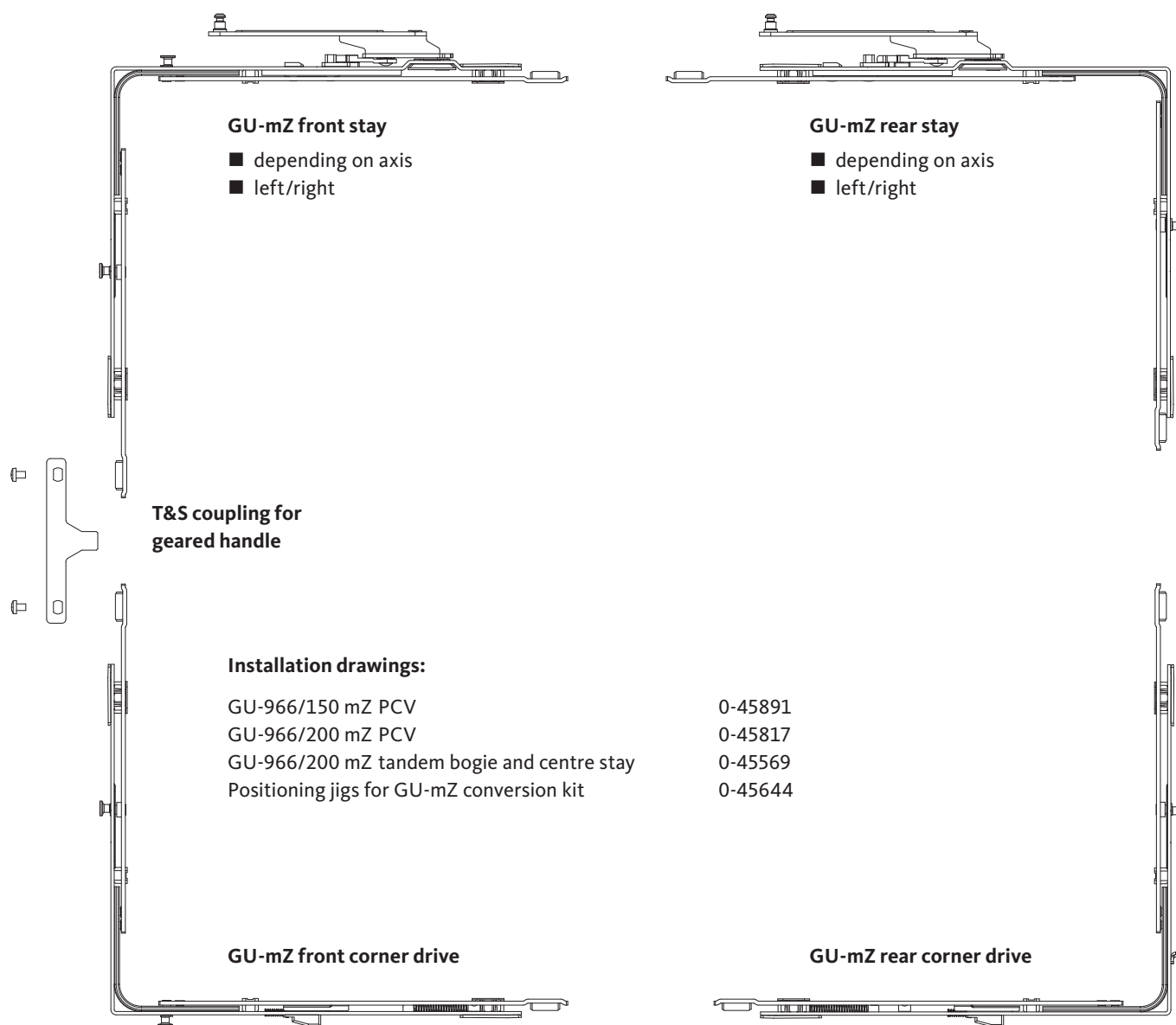
GU-mZ front corner drive

Note:

For function and installation of the mishandling device refer to page 168.

Active sash

LH or RH version, axis 9 or 13 mm



Order numbers of T&S GU-mZ stays

| Pattern C | Description | Faceplate. horizontal [mm] | Faceplate. vertical [mm] | LC vertically [qty.] | LC horizontally [qty.] | PU [qty.] | Order no. |
|-----------|-------------------------|----------------------------------|--------------------------------|----------------------------|------------------------------|--------------|----------------|
| 1 | GU-mZ stays axis 9 set | 309 | 264 | 6 | 4 | 1 | K-16994-09-L-1 |
| | GU-mZ stays axis 9 set | 309 | 264 | 6 | 4 | 1 | K-16994-09-R-1 |
| | GU-mZ stays axis 13 set | 309 | 264 | 6 | 4 | 1 | K-16994-13-L-1 |
| | GU-mZ stays axis 13 set | 309 | 264 | 6 | 4 | 1 | K-16994-13-R-1 |

Faceplate = faceplate of central locking component
 LC = locking cam, PU = packing unit

Tilt&Slide hardware

GU-mZ central locking system, pattern C



Possible dummy mullion hardware versions

Hardware overview for pattern C dummy mullion variants
 Various gear and handle variants, 9 mm and 13 mm axis
 The hardware versions are selected according to requirements and depending on the profile.

Variant 1: both sashes with geared turn handle and vertical extension

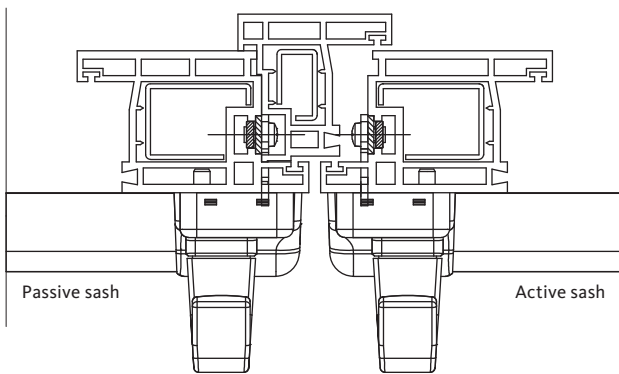


Figure shows active sash with handle on the left

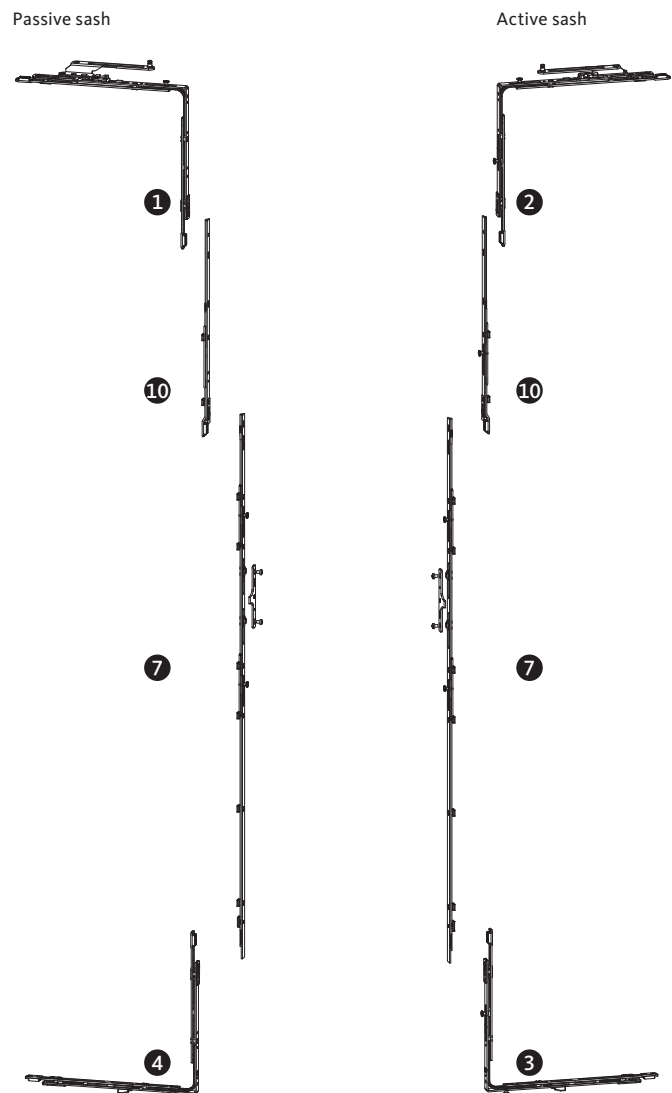
Hardware overview:

| Hardware overview: | Page: |
|-------------------------------------|---------|
| ■ Geared turn handle set [5] | 154-155 |
| ■ Turn handle set [no picture] | 156-163 |
| ■ Optional parts [no picture] | 165 |
| ■ Stays set [1, 2, 3, 4] | 173 |
| ■ Vertical extension [7] | 178 |
| ■ Lockable gear [no picture] | 183 |
| ■ Horizontal extension [no picture] | 186 |
| ■ Centre stay set [no picture] | 187 |
| ■ Gear extensions [10] | 185 |

Application range:

SRW 720 – 2000 mm
 SRH 820 – 2370 mm

Max. sash weight 200 kg



Installation drawings:

| | |
|--|---------|
| GU-966/150 mZ PCV | 0-45891 |
| GU-966/200 mZ PCV | 0-45817 |
| GU-966/200 mZ tandem bogie and centre stay | 0-45569 |
| Positioning jigs for GU-mZ conversion kit | 0-45644 |

Possible dummy mullion hardware versions

Hardware overview for pattern C dummy mullion variants

Various gear and handle variants, 9 mm and 13 mm axis

The hardware versions are selected according to requirements and depending on the profile.

Variant 2: both sashes with turn handle and gear

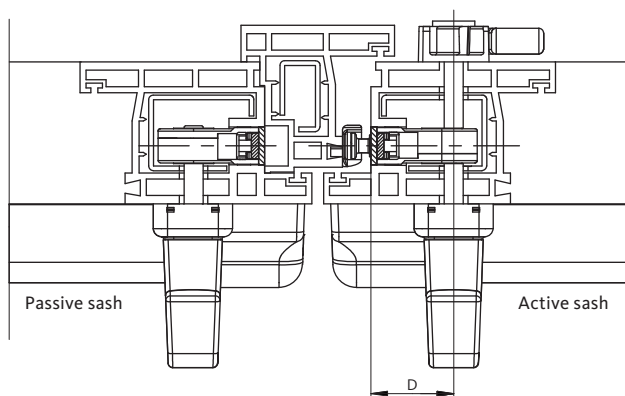


Figure shows active sash with handle on the left

Hardware overview:

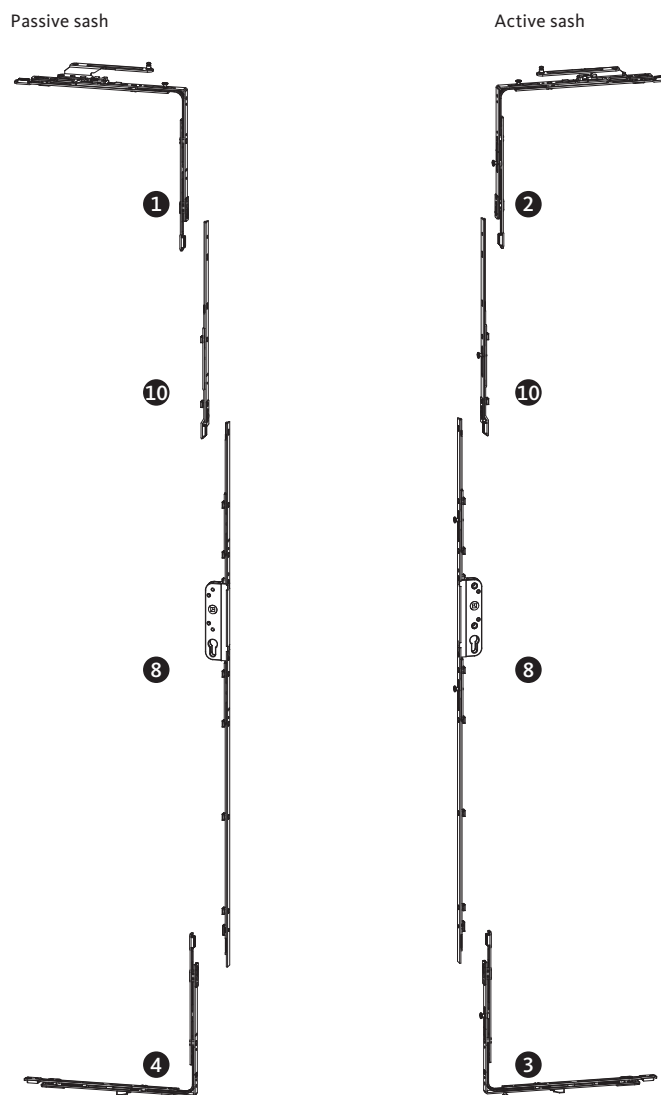
| Hardware overview: | Page: |
|---------------------------------------|---------|
| ■ Geared turn handle set [no picture] | 154-155 |
| ■ Turn handle set [6] | 156-163 |
| ■ Optional parts [no picture] | 165 |
| ■ Stays set [1, 2, 3, 4] | 173 |
| ■ Vertical extension [no picture] | 178 |
| ■ Lockable gear [8] | 183 |
| ■ Horizontal extension [no picture] | 186 |
| ■ Centre stay set [no picture] | 187 |
| ■ Gear extensions [10] | 185 |

Application range:

SRW 720 – 2000 mm

SRH 820 – 2370 mm

Max. sash weight 200 kg



Installation drawings:

| | |
|--|---------|
| GU-966/150 mZ PCV | 0-45891 |
| GU-966/200 mZ PCV | 0-45817 |
| GU-966/200 mZ tandem bogie and centre stay | 0-45569 |
| Positioning jigs for GU-mZ conversion kit | 0-45644 |

Tilt&Slide hardware

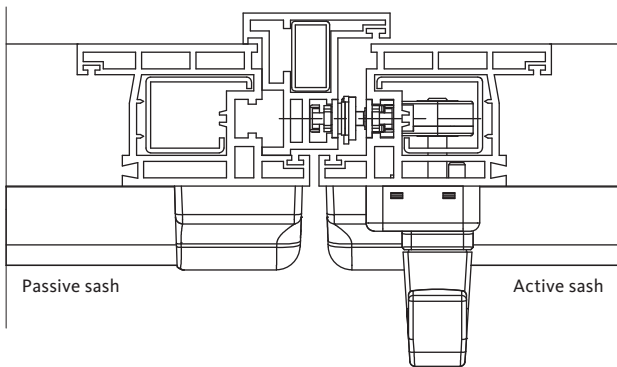
GU-mZ central locking system, pattern C



Possible dummy mullion hardware versions

Hardware overview for pattern C dummy mullion variants
 Various gear and handle variants, 9 mm and 13 mm axis
 The hardware versions are selected according to requirements and depending on the profile.

Variant 3: active sash with vertical extension and geared turn handle, passive sash with ZH lever-operated gear



ZH = Central locking system, timber

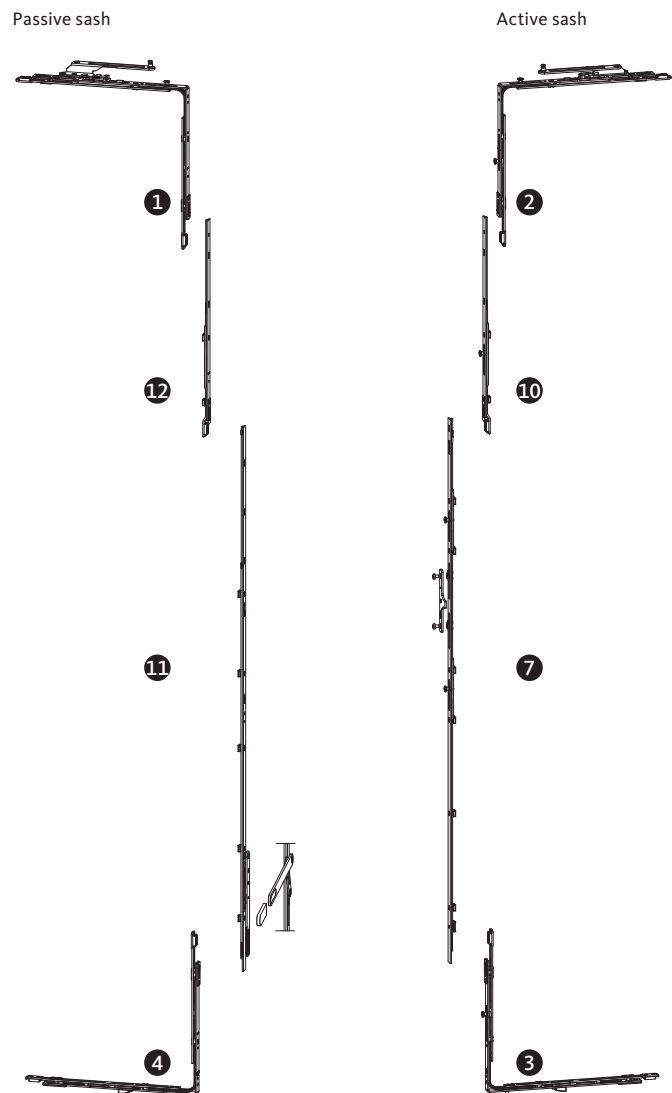
Hardware overview:

| Hardware overview: | Page: |
|--------------------------------------|---------|
| ■ Geared turn handle set [5] | 154-155 |
| ■ Turn handle set [no picture] | 156-163 |
| ■ Optional parts [no picture] | 165 |
| ■ Stays set [1, 2, 3, 4] | 173 |
| ■ Vertical extension [7] | 178 |
| ■ Lockable gear [no picture] | 183 |
| ■ Horizontal extension [no picture] | 186 |
| ■ Centre stay set [no picture] | 187 |
| ■ Gear extensions [10] | 185 |
| ■ ZH lever-operated gear [11] | 182 |
| ■ Lever-operated gear extension [12] | 184 |

Application range:

SRW 720 – 2000 mm
 SRH 820 – 2370 mm

Max. sash weight 200 kg



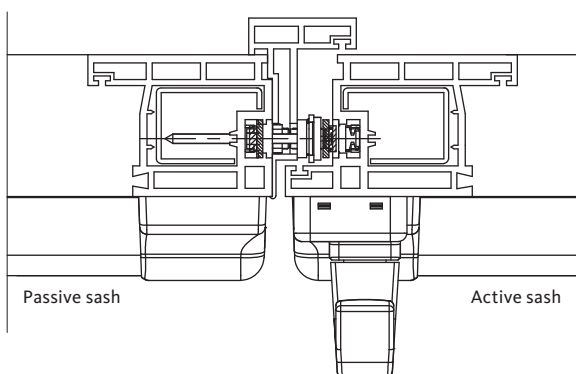
Installation drawings:

| | |
|--|---------|
| GU-966/150 mZ PCV | 0-45891 |
| GU-966/200 mZ PCV | 0-45817 |
| GU-966/200 mZ tandem bogie and centre stay | 0-45569 |
| Positioning jigs for GU-mZ conversion kit | 0-45644 |

Possible dummy mullion hardware versions

Hardware overview for pattern C dummy mullion variants
 Various gear and handle variants, 9 mm and 13 mm axis
 The hardware versions are selected according to requirements and depending on the profile.

Variant 4: active sash with vertical extension and geared turn handle, passive sash with ZK lever-operated gear



ZK = Central locking system, PVC

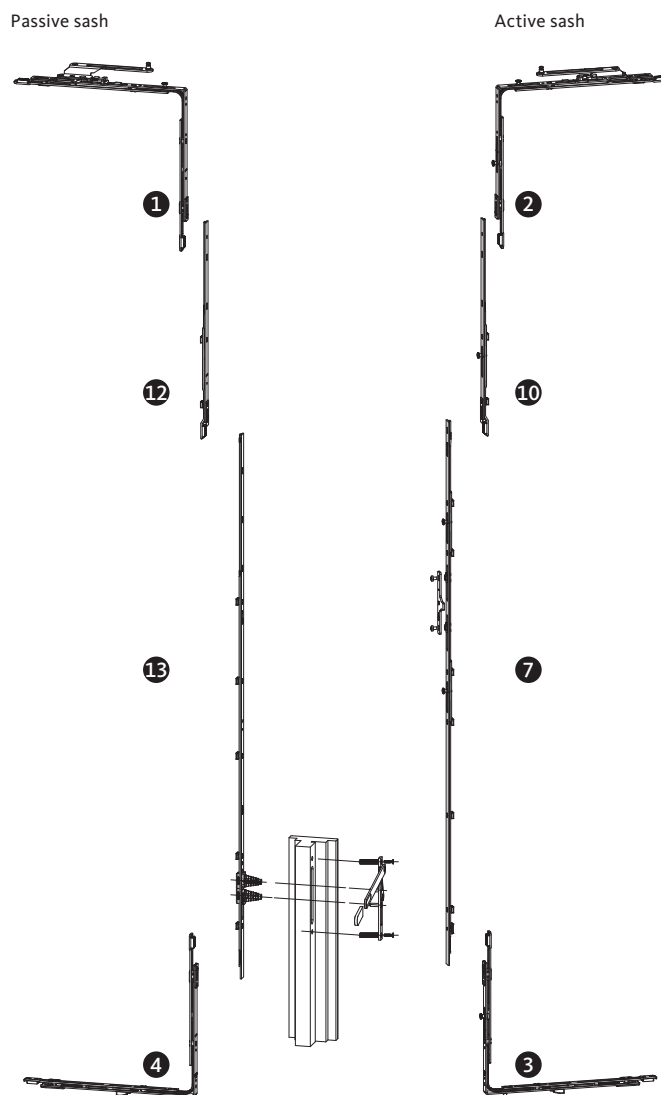
Hardware overview:

| | Page: |
|--------------------------------------|---------|
| ■ Geared turn handle set [5] | 154-155 |
| ■ Turn handle set [no picture] | 156-163 |
| ■ Optional parts [no picture] | 165 |
| ■ Stays set [1, 2, 3, 4] | 173 |
| ■ Vertical extension [7] | 178 |
| ■ Lockable gear [no picture] | 183 |
| ■ Horizontal extension [no picture] | 186 |
| ■ Centre stay set [no picture] | 187 |
| ■ Gear extensions [10] | 185 |
| ■ ZK lever-operated gear [13] | 182 |
| ■ Lever-operated gear extension [12] | 184 |

Application range:

SRW 720 – 2000 mm
 SRH 820 – 2370 mm

Max. sash weight 200 kg

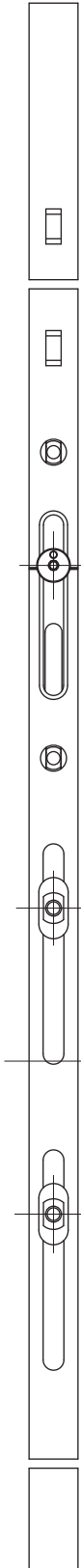


Installation drawings:

| | |
|--|---------|
| GU-966/150 mZ PCV | 0-45891 |
| GU-966/200 mZ PCV | 0-45817 |
| GU-966/200 mZ tandem bogie and centre stay | 0-45569 |
| Positioning jigs for GU-mZ conversion kit | 0-45644 |

Tilt&Slide hardware

Centre piece, vertical



Fixed handle height, for use with geared handle

Hardware requirements depending on sash size for patterns A to K

Vertical extension on both sides – 2 items required

| Pattern | | | | | SRH [mm] | F-plate [mm] | LC [qty.] | HH [mm] | PU [qty.] | Order no. |
|---------|---|---|---|---|-------------|-----------------|--------------|------------|--------------|----------------|
| A | C | D | G | K | | | | | | |
| 2 | 4 | 2 | 2 | 4 | 820 – 995 | 465 | | 440 | 10 | 6-32304-01-0-1 |
| | | | | | 996 – 1120 | 590 | 1 | 440 | 10 | 6-32304-02-0-1 |
| | | | | | 1121 – 1370 | 840 | 1 | 500 | 10 | 6-32304-03-0-1 |
| | | | | | 1371 – 1620 | 1090 | 1 | 600 | 10 | 6-32304-04-0-1 |
| | | | | | 1621 – 1870 | 1340 | 2 | 600 | 10 | 6-32304-05-0-1 |
| | | | | | 1621 – 1870 | 1340 | 2 | 980 | 10 | 6-32304-55-0-1 |
| | | | | | 1871 – 2120 | 1590 | 2 | 980 | 10 | 6-32304-06-0-1 |
| | | | | | 2121 – 2370 | 1840 | 2 | 980 | 10 | 6-32304-07-0-1 |

Vertical extension in combination with lockable gear – 1 item required

| Pattern | | | | | SRH [mm] | F-plate [mm] | LC [qty.] | HH [mm] | PU [qty.] | Order no. |
|---------|---|---|---|---|-------------|-----------------|--------------|------------|--------------|----------------|
| A | C | D | G | K | | | | | | |
| 1 | 2 | 1 | 1 | 2 | 820 – 995 | 465 | | 440 | 10 | 6-32304-01-0-1 |
| | | | | | 996 – 1120 | 590 | 1 | 440 | 10 | 6-32304-02-0-1 |
| | | | | | 1121 – 1370 | 840 | 1 | 500 | 10 | 6-32304-03-0-1 |
| | | | | | 1371 – 1620 | 1090 | 1 | 600 | 10 | 6-32304-04-0-1 |
| | | | | | 1621 – 1870 | 1340 | 2 | 600 | 10 | 6-32304-05-0-1 |
| | | | | | 1621 – 1870 | 1340 | 2 | 980 | 10 | 6-32304-55-0-1 |
| | | | | | 1871 – 2120 | 1590 | 2 | 980 | 10 | 6-32304-06-0-1 |
| | | | | | 2121 – 2370 | 1840 | 2 | 980 | 10 | 6-32304-07-0-1 |

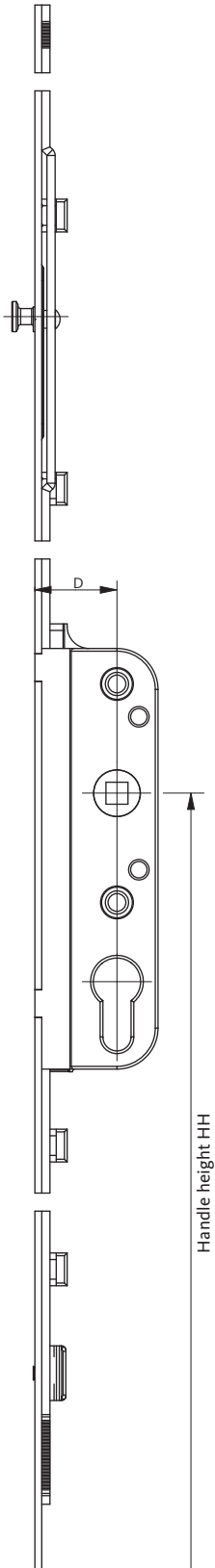
Faceplate = faceplate of central locking component

SHR = sash rebate height

LC = locking cam

HH = handle height

PU = packing unit



Fixed handle height, various backsets from BS 30 to BS 50. for use with turn handle

Hardware requirements depending on sash size for patterns A to K

Lockable gear BS30

| Pattern | | | | | SRH [mm] | F-plate [mm] | LC [qty.] | HH [mm] | PU [qty.] | Order no. |
|---------|---|---|---|---|-------------|--------------|-----------|---------|-----------|----------------|
| A | C | D | G | K | | | | | | |
| 1 | 2 | 1 | 1 | 2 | 850 – 995 | 465 | | 440 | 10 | 6-32343-01-0-1 |
| | | | | | 996 – 1120 | 590 | 1 | 440 | 10 | 6-32343-02-0-1 |
| | | | | | 1121 – 1370 | 840 | 1 | 500 | 10 | 6-32343-03-0-1 |
| | | | | | 1371 – 1620 | 1090 | 1 | 600 | 10 | 6-32343-04-0-1 |
| | | | | | 1621 – 1870 | 1340 | 2 | 600 | 10 | 6-32343-05-0-1 |
| | | | | | 1621 – 1870 | 1340 | 2 | 980 | 10 | 6-32343-55-0-1 |
| | | | | | 1871 – 2120 | 1590 | 2 | 980 | 10 | 6-32343-06-0-1 |
| | | | | | 2121 – 2370 | 1840 | 2 | 980 | 10 | 6-32343-07-0-1 |

Lockable gear BS40

| Pattern | | | | | SRH [mm] | F-plate [mm] | LC [qty.] | HH [mm] | PU [qty.] | Order no. |
|---------|---|---|---|---|-------------|--------------|-----------|---------|-----------|----------------|
| A | C | D | G | K | | | | | | |
| 1 | 2 | 1 | 1 | 2 | 850 – 995 | 465 | | 440 | 10 | 6-32335-01-0-1 |
| | | | | | 996 – 1120 | 590 | 1 | 440 | 10 | 6-32335-02-0-1 |
| | | | | | 1121 – 1370 | 840 | 1 | 500 | 10 | 6-32335-03-0-1 |
| | | | | | 1371 – 1620 | 1090 | 1 | 600 | 10 | 6-32335-04-0-1 |
| | | | | | 1621 – 1870 | 1340 | 2 | 600 | 10 | 6-32335-05-0-1 |
| | | | | | 1621 – 1870 | 1340 | 2 | 980 | 10 | 6-32335-55-0-1 |
| | | | | | 1871 – 2120 | 1590 | 2 | 980 | 10 | 6-32335-06-0-1 |
| | | | | | 2121 – 2370 | 1840 | 2 | 980 | 10 | 6-32335-07-0-1 |

Lockable gear BS50

| Pattern | | | | | SRH [mm] | F-plate [mm] | LC [qty.] | HH [mm] | PU [qty.] | Order no. |
|---------|---|---|---|---|-------------|--------------|-----------|---------|-----------|----------------|
| A | C | D | G | K | | | | | | |
| 1 | 2 | 1 | 1 | 2 | 850 – 995 | 465 | | 440 | 10 | 6-32439-01-0-1 |
| | | | | | 996 – 1120 | 590 | | 440 | 10 | 6-32439-02-0-1 |
| | | | | | 1121 – 1370 | 840 | 1 | 500 | 10 | 6-32439-03-0-1 |
| | | | | | 1371 – 1620 | 1090 | 1 | 600 | 10 | 6-32439-04-0-1 |
| | | | | | 1621 – 1870 | 1340 | 2 | 600 | 10 | 6-32439-05-0-1 |
| | | | | | 1621 – 1870 | 1340 | 2 | 980 | 10 | 6-32439-55-0-1 |
| | | | | | 1871 – 2120 | 1590 | 2 | 980 | 10 | 6-32439-06-0-1 |
| | | | | | 2121 – 2370 | 1840 | 2 | 980 | 10 | 6-32439-07-0-1 |

Faceplate = faceplate of central locking component

SHR = sash rebate height

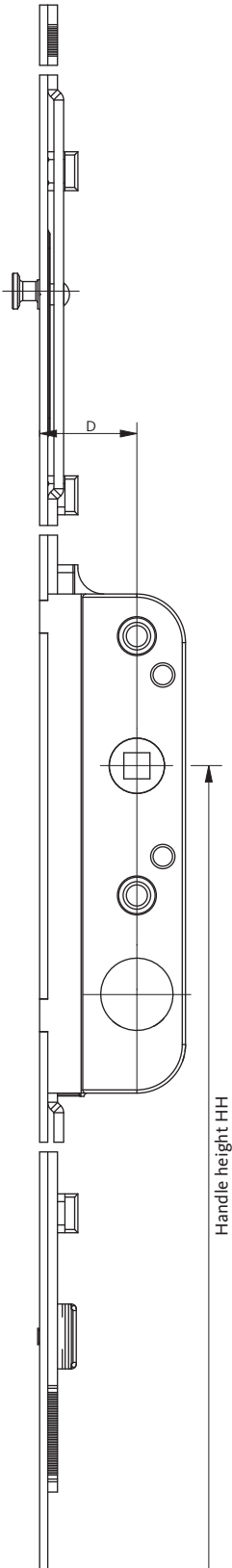
LC = locking cam

HH = handle height

PU = packing unit

Tilt&Slide hardware

Lockable GU-mZ gear, round cylinder



Fixed handle height, backsets BS 30 and BS 40. for use with turn handle

Hardware requirements depending on sash size for patterns A to K
Prepared for the installation of a Swiss round cylinder

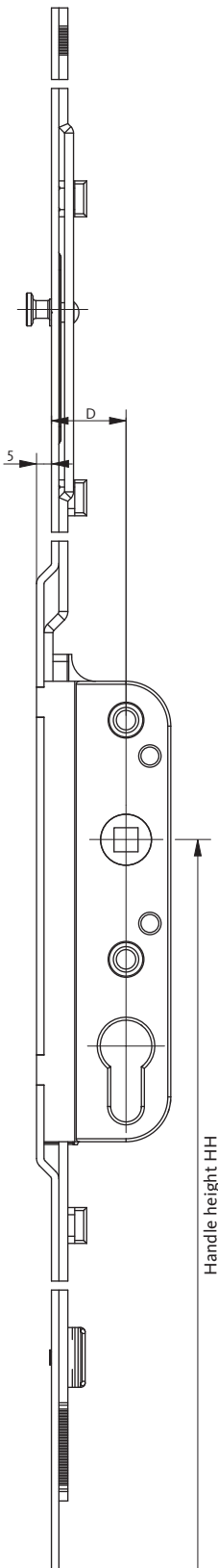
Lockable gear BS30

| Pattern | | | | | SRH [mm] | F-plate [mm] | LC [qty.] | HH [mm] | PU [qty.] | Order no. |
|---------|---|---|---|---|-------------|-----------------|--------------|------------|--------------|----------------|
| A | C | D | G | K | | | | | | |
| 1 | 2 | 1 | 1 | 2 | 850 – 995 | 465 | | 440 | 10 | 6-32345-01-0-1 |
| | | | | | 996 – 1120 | 590 | 1 | 440 | 10 | 6-32345-02-0-1 |
| | | | | | 1121 – 1370 | 840 | 1 | 500 | 10 | 6-32345-03-0-1 |
| | | | | | 1371 – 1620 | 1090 | 1 | 600 | 10 | 6-32345-04-0-1 |
| | | | | | 1621 – 1870 | 1340 | 2 | 600 | 10 | 6-32345-05-0-1 |
| | | | | | 1621 – 1870 | 1340 | 2 | 980 | 10 | 6-32345-55-0-1 |
| | | | | | 1871 – 2120 | 1590 | 2 | 980 | 10 | 6-32345-06-0-1 |
| | | | | | 2121 – 2370 | 1840 | 2 | 980 | 10 | 6-32345-07-0-1 |

Lockable gear BS40

| Pattern | | | | | SRH [mm] | F-plate [mm] | LC [qty.] | HH [mm] | PU [qty.] | Order no. |
|---------|---|---|---|---|-------------|-----------------|--------------|------------|--------------|----------------|
| A | C | D | G | K | | | | | | |
| 1 | 2 | 1 | 1 | 2 | 1621 – 1870 | 1340 | 2 | 980 | 10 | 6-32344-55-0-1 |
| | | | | | 1871 – 2120 | 1590 | 2 | 980 | 10 | 6-32344-06-0-1 |
| | | | | | 2121 – 2370 | 1840 | 2 | 980 | 10 | 6-32344-07-0-1 |

Faceplate = faceplate of central locking component
 SHR = sash rebate height
 LC = locking cam
 HH = handle height
 PU = packing unit



Fixed handle height, various backsets from BS 25 to BS 45. for use with turn handle

Hardware requirements depending on sash size for patterns A to K
Prepared for the installation of a profile cylinder

Lockable gear BS25

| Pattern | | | | | SRH [mm] | F-plate [mm] | LC [qty.] | HH [mm] | PU [qty.] | Order no. |
|---------|---|---|---|---|-------------|--------------|-----------|---------|-----------|----------------|
| A | C | D | G | K | | | | | | |
| 1 | 2 | 1 | 1 | 2 | 850 - 995 | 465 | | 440 | 10 | 6-32451-01-0-1 |
| | | | | | 996 - 1120 | 590 | 1 | 440 | 10 | 6-32451-02-0-1 |
| | | | | | 1121 - 1370 | 840 | 1 | 500 | 10 | 6-32451-03-0-1 |
| | | | | | 1371 - 1620 | 1090 | 1 | 600 | 10 | 6-32451-04-0-1 |
| | | | | | 1621 - 1870 | 1340 | 2 | 600 | 10 | 6-32451-05-0-1 |
| | | | | | 1621 - 1870 | 1340 | 2 | 980 | 10 | 6-32451-55-0-1 |
| | | | | | 1871 - 2120 | 1590 | 2 | 980 | 10 | 6-32451-06-0-1 |
| | | | | | 2121 - 2370 | 1840 | 2 | 980 | 10 | 6-32451-07-0-1 |

Lockable gear BS35

| Pattern | | | | | SRH [mm] | F-plate [mm] | LC [qty.] | HH [mm] | PU [qty.] | Order no. |
|---------|---|---|---|---|-------------|--------------|-----------|---------|-----------|----------------|
| A | C | D | G | K | | | | | | |
| 1 | 2 | 1 | 1 | 2 | 850 - 995 | 465 | | 440 | 10 | 6-32438-01-0-1 |
| | | | | | 996 - 1120 | 590 | 1 | 440 | 10 | 6-32438-02-0-1 |
| | | | | | 1121 - 1370 | 840 | 1 | 500 | 10 | 6-32438-03-0-1 |
| | | | | | 1371 - 1620 | 1090 | 1 | 600 | 10 | 6-32438-04-0-1 |
| | | | | | 1621 - 1870 | 1340 | 2 | 600 | 10 | 6-32438-05-0-1 |
| | | | | | 1621 - 1870 | 1340 | 2 | 980 | 10 | 6-32438-55-0-1 |
| | | | | | 1871 - 2120 | 1590 | 2 | 980 | 10 | 6-32438-06-0-1 |

Lockable gear BS45

| Pattern | | | | | SRH [mm] | F-plate [mm] | LC [qty.] | HH [mm] | PU [qty.] | Order no. |
|---------|---|---|---|---|-------------|--------------|-----------|---------|-----------|----------------|
| A | C | D | G | K | | | | | | |
| 1 | 2 | 1 | 1 | 2 | 850 - 995 | 465 | | 440 | 10 | 6-32352-01-0-1 |
| | | | | | 996 - 1120 | 590 | 1 | 440 | 10 | 6-32352-02-0-1 |
| | | | | | 1121 - 1370 | 840 | 1 | 500 | 10 | 6-32352-03-0-1 |
| | | | | | 1371 - 1620 | 1090 | 1 | 600 | 10 | 6-32352-04-0-1 |
| | | | | | 1621 - 1870 | 1340 | 2 | 600 | 10 | 6-32352-05-0-1 |
| | | | | | 1621 - 1870 | 1340 | 2 | 980 | 10 | 6-32352-55-0-1 |
| | | | | | 1871 - 2120 | 1590 | 2 | 980 | 10 | 6-32352-06-0-1 |

Faceplate = faceplate of central locking component

SHR = sash rebate height

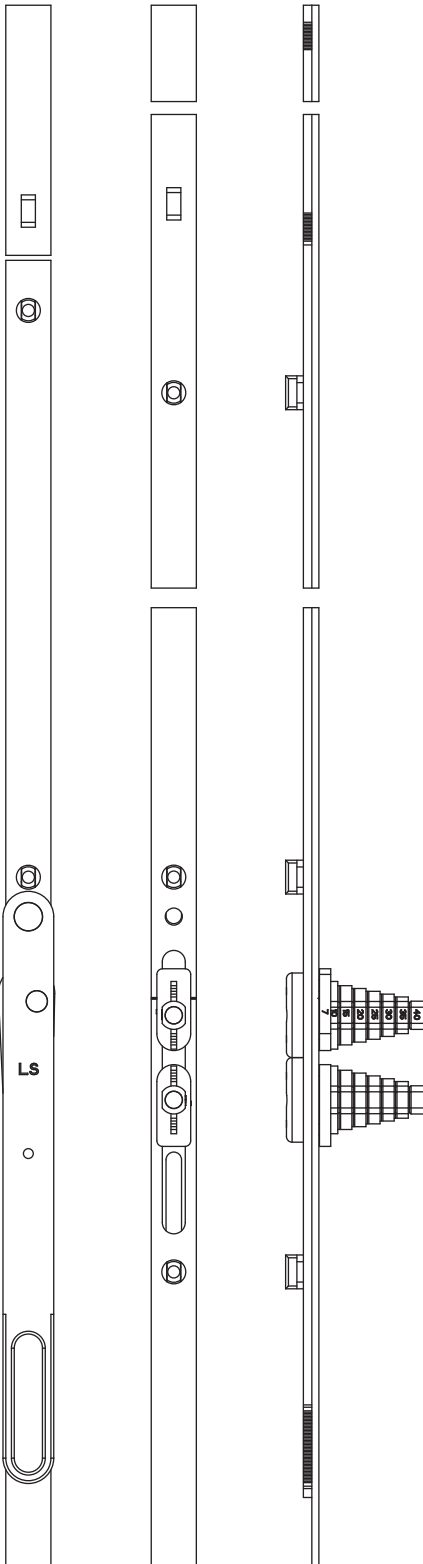
LC = locking cam

HH = handle height

PU = packing unit

Tilt&Slide hardware

ZH and ZK lever-operated gears



ZH

ZK

Fixed handle height

Hardware requirements depending on sash size for pattern C

ZH lever-operated gear

| Pattern C | SRH [mm] | Faceplate [mm] | PU [qty.] | Order no. |
|-----------|-------------|----------------|-----------|----------------|
| 1 | 1371 – 1620 | 1090 | 10 | 6-33017-04-L-1 |
| | 1371 – 1620 | 1090 | 10 | 6-33017-04-R-1 |
| | 1621 – 1870 | 1340 | 10 | 6-33017-55-L-1 |
| | 1621 – 1870 | 1340 | 10 | 6-33017-55-R-1 |
| 1 | 1871 – 2370 | 500 | 10 | 6-25059-00-0-1 |

From SRH 1871: lever-operated gear + 500 mm extension

ZK lever-operated gear

| Pattern C | SRH [mm] | Faceplate [mm] | PU [qty.] | Order no. |
|-----------|---|----------------|--|----------------|
| 1 | 1371 – 1620 | 1090 | 10 | 6-33018-04-0-1 |
| | 1621 – 1870 | 1340 | 10 | 6-33018-55-0-1 |
| 1 | 1871 – 2370 | 500 | 10 | 6-25059-00-0-1 |
| Pattern C | Description | Lever side | Dimension | Order no. |
| 1 | ZK lever | LH | | 6-25020-00-L-1 |
| | ZK lever | RH | | 6-25020-00-R-1 |
| 2 | Spax screw | | 4 x 70 | 9-13246-70-R-1 |
| Pattern C | Description | SRH [mm] | Order no. | |
| 1 | Strikers set – basic security Contents 3 strikers 1 Sec strikers including screws | 1371 – 1870 | K-15414-00-0-1 9-31960-00-0-1 9-39189-00-0-1 | |
| 1 | Strikers set – RC 2 Contents 4 Sec strikers including screws | 1371 – 1870 | K-15395-00-0-1 9-39189-00-0-1 | |

From SRH 1871: lever-operated gear + 500 mm extension

Faceplate = faceplate of central locking component

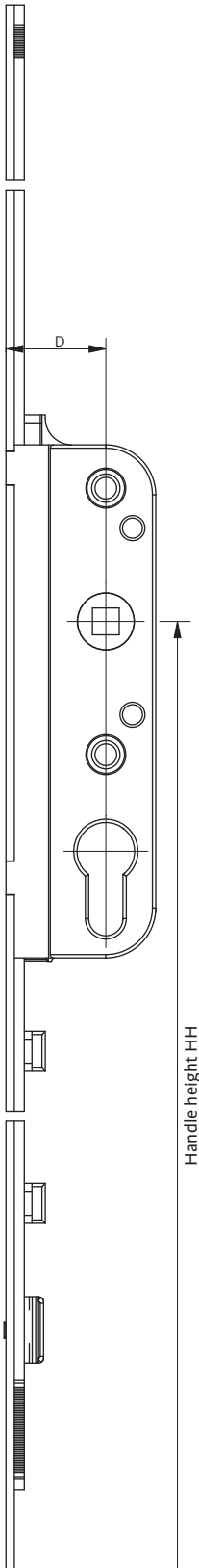
SHR = sash rebate height

PU = packing unit

ZH = central locking system, timber

ZK = central locking system, PVC

For lever-operated gear extension refer to page 184



Fixed handle height, various backsets from BS 30 to BS 50. for use with turn handle

Hardware requirements depending on sash size for pattern C
Prepared for the installation of a profile cylinder

Lockable gear BS30

| Pattern C | SRH [mm] | F-plate [mm] | HH [mm] | PU [qty.] | Order no. |
|-----------|-------------|--------------|---------|-----------|----------------|
| 1 | 1371 – 1620 | 1090 | 600 | 10 | 6-33574-04-0-1 |
| | 1621 – 1870 | 1340 | 980 | 10 | 6-33574-55-0-1 |
| 1 | 1871 – 2120 | 250 | | 10 | 6-24737-00-0-1 |
| 1 | 2121 – 2370 | 500 | | 10 | 6-32993-00-0-1 |

From SRH 1871 – 2120 mm lever-operated gear with 250 mm extension
From SRH 2121 – 2370 mm lever-operated gear with 500 mm extension

Lockable gear BS40

| Pattern C | SRH [mm] | F-plate [mm] | HH [mm] | PU [qty.] | Order no. |
|-----------|-------------|--------------|---------|-----------|----------------|
| 1 | 1371 – 1620 | 1090 | 600 | 10 | 6-33575-04-0-1 |
| | 1621 – 1870 | 1340 | 980 | 10 | 6-33575-55-0-1 |
| 1 | 1871 – 2120 | 250 | | 10 | 6-24737-00-0-1 |
| 1 | 2121 – 2370 | 500 | | 10 | 6-32993-00-0-1 |

From SRH 1871 – 2120 mm lever-operated gear with 250 mm extension
From SRH 2121 – 2370 mm lever-operated gear with 500 mm extension

Lockable gear BS50

| Pattern C | SRH [mm] | F-plate [mm] | HH [mm] | PU [qty.] | Order no. |
|-----------|-------------|--------------|---------|-----------|----------------|
| 1 | 1371 – 1620 | 1090 | 600 | 10 | 6-33576-04-0-1 |
| | 1621 – 1870 | 1340 | 980 | 10 | 6-33576-55-0-1 |
| 1 | 1871 – 2120 | 250 | | 10 | 6-24737-00-0-1 |
| 1 | 2121 – 2370 | 500 | | 10 | 6-32993-00-0-1 |

From SRH 1871 – 2120 mm lever-operated gear with 250 mm extension
From SRH 2121 – 2370 mm lever-operated gear with 500 mm extension

Faceplate = faceplate of central locking component
SHR = sash rebate height
HH = handle height
PU = packing unit

For gear extensions refer to page 185



In combination with ZH and ZK lever-operated gears Pattern C

Hardware requirements depending on sash size for pattern C

Lever-operated gear extension, 500 mm

| Pattern C | SRH [mm] | Faceplate [mm] | PU [qty.] | Order no. |
|-----------|-------------|----------------|-----------|----------------|
| 1 | 1871 - 2370 | 500 | 10 | 6-25059-00-0-1 |

Faceplate = faceplate of central locking component

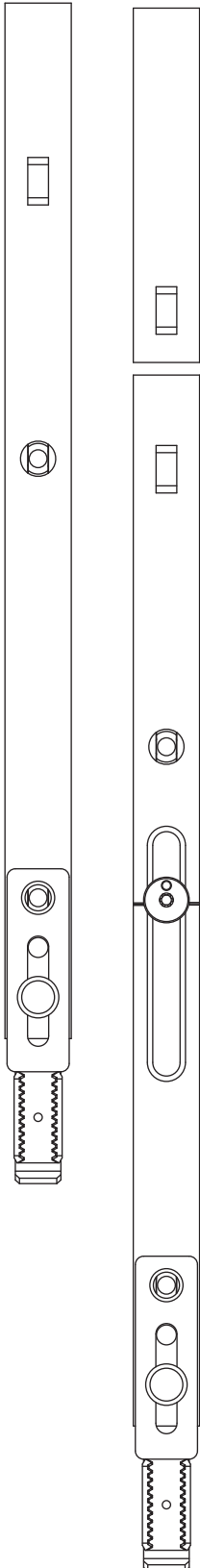
SRH = sash rebate height

PU = packing unit

ZH = central locking system, timber

ZK = central locking system, PVC

Used in combination with ZH and ZK lever-operated gears from SRH 1871 mm.



In combination with GU-mZ gear, pattern C Hardware requirements depending on sash size for pattern C

250 mm and 500 mm gear extension

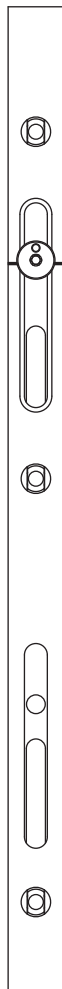
| Pattern C | SRH [mm] | Faceplate [mm] | PU [qty.] | Order no. |
|-----------|-------------|----------------|-----------|----------------|
| 1 | 1871 – 2120 | 250 | 10 | 6-24737-00-0-1 |
| 1 | 2121 – 2370 | 500 | 10 | 6-32993-00-0-1 |

Faceplate = faceplate of central locking component

SRH = sash rebate height

PU = packing unit

Used in combination with GU-mZ gear BS25 to BS50, pattern C, from SRH 1871 mm.



Hardware requirements depending on sash size for patterns A to K

For one hardware set it is necessary to order two items (1 each for top and bottom)

Horizontal extension

| Pattern | | | | | SRW [mm] | Faceplate [mm] | LC [qty.] | PU [qty.] | Order no. |
|---------|---|---|---|---|-------------|-------------------|--------------|--------------|-----------------|
| A | C | D | G | K | | | | | |
| 2 | 4 | 2 | 2 | 4 | 720 – 890 | 730 | 0 | 10 | 6-32307-02-0-1 |
| | | | | | 720 – 890 | 270 | 1 | 10 | 6-32307-12-0-1 |
| | | | | | 891 – 1100 | 480 | 1 | 10 | 6-32307-01-0-1 |
| | | | | | 1101 – 1350 | 730 | 1 | 10 | 6-32307-02-0-1 |
| | | | | | 1351 – 1600 | 980 | 2 | 10 | 6-32307-03-0-1 |
| | | | | | 1601 – 1850 | 1230 | 2 | 10 | 6-32307-04-0-1 |
| | | | | | 1851 – 2000 | 1480 | 2 | 10 | 6-32307-05-0-1* |

*Note: 1851 – 2000 mm always with centre stay, refer to page 187

Faceplate = faceplate of central locking component

SHR = sash rebate height

LC = locking cam

PU = packing unit



Hardware requirements depending on sash size for patterns A to K

The centre stay set contains the stay arm slide block and the bottom horizontal extension.

Centre stay with stay arm slide block

| Pattern | | | | | SRW [mm] | Sash weight | Face-plate [mm] | LC [qty.] | PU [qty.] | Order no. |
|---------|---|---|---|---|-------------|-------------|-----------------|-----------|-----------|----------------|
| A | C | D | G | K | | | | | | |
| 1 | 2 | 1 | 1 | 2 | 1601 – 1851 | >180 kg | 1480 | 2 | 1 | K-16997-09-L-1 |
| | | | | | 1601 – 1851 | >180 kg | 1480 | 2 | 1 | K-16997-09-R-1 |
| | | | | | 1601 – 1851 | >180 kg | 1480 | 2 | 1 | K-16997-13-L-1 |
| | | | | | 1601 – 1851 | >180 kg | 1480 | 2 | 1 | K-16997-13-R-1 |
| | | | | | 1851 – 2000 | – 200 kg | 1480 | 2 | 1 | K-16997-09-L-1 |
| | | | | | 1851 – 2000 | – 200 kg | 1480 | 2 | 1 | K-16997-09-R-1 |
| | | | | | 1851 – 2000 | – 200 kg | 1480 | 2 | 1 | K-16997-13-L-1 |
| | | | | | 1851 – 2000 | – 200 kg | 1480 | 2 | 1 | K-16997-13-R-1 |

Cover for T&S centre stay

| Pattern | | | | | SRW [mm] | Sash weight | Face-plate [mm] | LC [qty.] | PU [qty.] | Order no. |
|---------|---|---|---|---|----------|-------------|-----------------|-----------|-----------|----------------|
| A | C | D | G | K | | | | | | |
| 1 | 2 | 1 | 1 | 2 | | | | | 1 | 9-35573-00-0-* |

Faceplate = faceplate of central locking component

SHR = sash rebate height

LC = locking cam

PU = packing unit

The stay arm cover must be ordered separately in the colour required



Drawing 0-45569

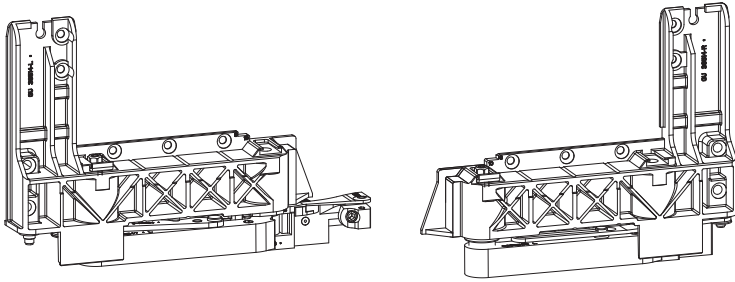
GU 966/200 mZ tandem bogie and centre stay

Tilt&Slide hardware

GU-966/150 bogies



Hardware requirements depending on sash size for patterns A to K



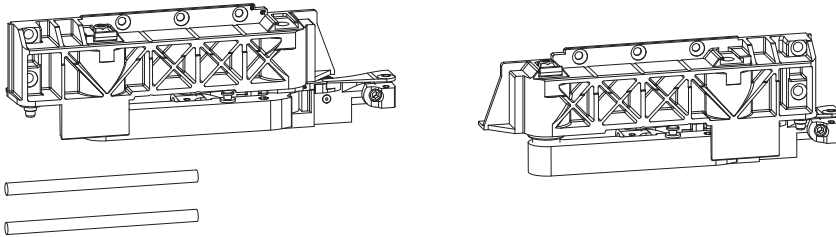
GU-966/150 bogies

| Pattern | | | | | Description | PU [qty.] | Order no. Handle LH side | Order no. Handle RH side |
|---------|-------|---|---|-------|-----------------------|-----------|--------------------------|--------------------------|
| A | C | D | G | K | | | | |
| 1 | 2 [1] | 1 | 1 | 2 [1] | Bogies set GU-966/150 | 1 | K-15276-00-L-0 | K-15276-00-R-0 |

PU = packing unit

[1] = generally, 1 set 'Handle LH side' and 1 set 'Handle RH side' must be ordered

The GU-966/150 bogies set contains 1 front and 1 rear bogie.



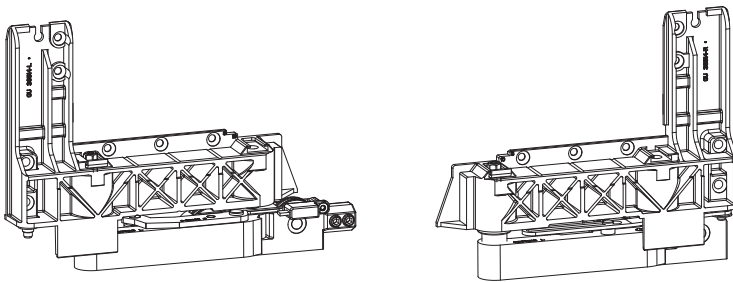
GU-966/150 T tandem bogies for all heavy sashes

| Pattern | | | | | Description | PU [qty.] | Order no. Handle LH side | Order no. Handle RH side |
|---------|-------|---|---|-------|------------------------------|-----------|--------------------------|--------------------------|
| A | C | D | G | K | | | | |
| 1 | 2 [1] | 1 | 1 | 2 [1] | GU-966/150 tandem bogies set | 1 | K-17750-00-L-0 | K-17750-00-R-0 |

PU = packing unit

[1] = generally, 1 set 'Handle LH side' and 1 set 'Handle RH side' must be ordered

The GU-966/150 tandem bogies set contains 1 front bogie, 1 rear bogie and 2 connecting rods Ø 8 mm.



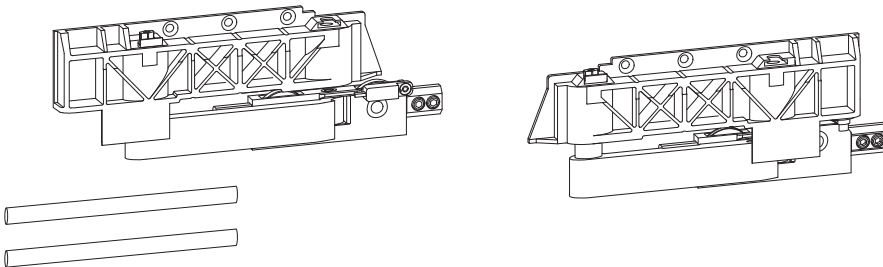
GU-966/200 bogies

| Pattern | | | | | Description | PU [qty.] | Order no. Handle LH side | Order no. Handle RH side |
|---------|-------|---|---|-------|-----------------------|-----------|--------------------------|--------------------------|
| A | C | D | G | K | | | | |
| 1 | 2 [1] | 1 | 1 | 2 [1] | GU-966/200 bogies set | 1 | K-15266-00-L-0 | K-15266-00-R-0 |

PU = packing unit

[1] = generally, 1 set 'Handle LH side' and 1 set 'Handle RH side' must be ordered

The GU-966/200 bogie set contains 1 front and 1 rear bogie.



GU-966/200 T tandem bogies for all heavy sashes

| Pattern | | | | | Description | PU [qty.] | Order no. Handle LH side | Order no. Handle RH side |
|---------|-------|---|---|-------|------------------------------|-----------|--------------------------|--------------------------|
| A | C | D | G | K | | | | |
| 1 | 2 [1] | 1 | 1 | 2 [1] | GU-966/200 tandem bogies set | 1 | K-15508-00-L-0 | K-15508-00-R-0 |

PU = packing unit

[1] = generally, 1 set 'Handle LH side' and 1 set 'Handle RH side' must be ordered

The GU-966/200 tandem bogie set contains 1 front bogie, 1 rear bogie and 2 connecting rods Ø 10 mm.

Drawing 0-45569

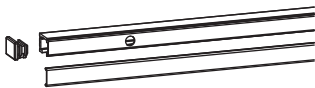
Tilt&Slide hardware

GU-966/150 profiles and accessories

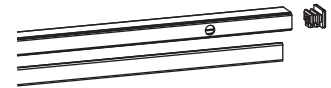
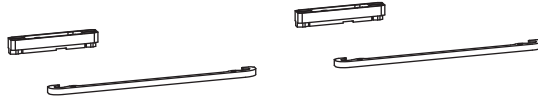


Balcony-doors and windows with sash widths SW up to 1600 mm

End cap 9-30142-00-0-0*
P 1225 guide rail
P 1226 cover rail



Stay arm slide block 6-22755-00-0-0
Stay arm cover 9-35573-00-0-*



End cap 9-30142-00-0-0*
P 1225 guide rail
P 1226 cover rail

GU-966/150 profile set [1]

| Pattern | | | | | SRW [mm] | PU [qty.] | Order no. Handle LH side |
|---------|---|---|---|---|------------------------------------|--------------|-----------------------------|
| A | C | D | G | K | | | |
| 1 | 2 | 1 | 1 | 2 | 640 – 850 | 1 | K-15277-20-0-* |
| | | | | | 851 – 1100 | 1 | K-15277-25-0-* |
| | | | | | 1101 – 1350 | 1 | K-15277-30-0-* |
| | | | | | 1351 – 1600 | 1 | K-15277-35-0-* |
| | | 1 | | | Positioning pin D for control part | 1 | 9-39897-00-0-1 |

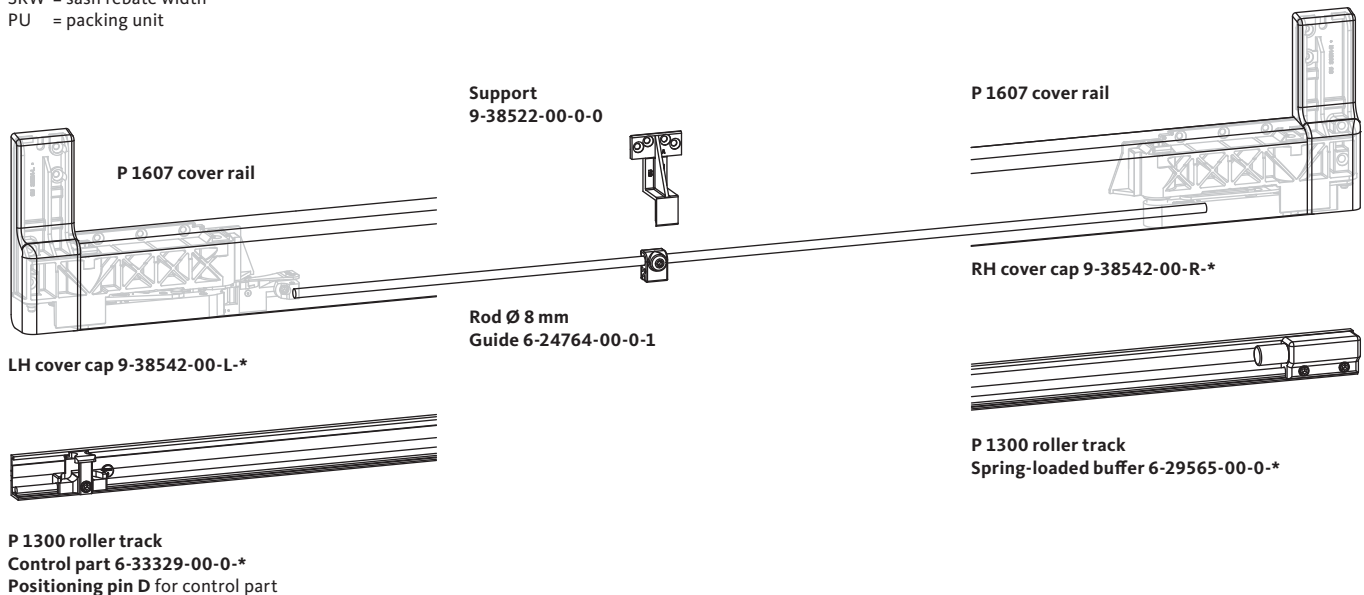
[1] * = Colour: 1 = EV 1, 5 = UC 5, 7 = white (RAL 9016)

Contents

| Description | Length [mm] | PU [qty.] | Order no. |
|----------------------------------|------------------|--------------|----------------|
| Rod Ø 8 mm | according to SRW | 1 | 9-25476-**-0-1 |
| P 1607 cover rail | according to SRW | 1 | 9-38803-**-0-* |
| P 1300 roller track | according to SRW | 1 | 9-31483-**-0-* |
| P 1225 guide rail top, T&S | according to SRW | 1 | 9-30140-**-0-* |
| P 1226 cover rail top, T&S / F&S | according to SRW | 1 | 9-30141-**-0-* |
| GU-966/150 accessory set | - | 1 | K-15275-00-0-* |

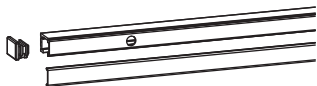
SRW = sash rebate width

PU = packing unit

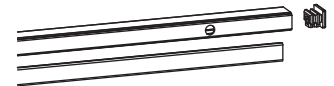
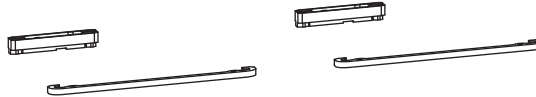


Balcony-doors and windows with sash widths SW up to 2000 mm

End cap 9-30142-00-0-0*
P 1225 guide rail
P 1226 cover rail



Stay arm slide block 6-22755-00-0-0
Stay arm cover 9-35573-00-0-*



End cap 9-30142-00-0-0*
P 1225 guide rail
P 1226 cover rail

B

GU-966/200 profile set [1]

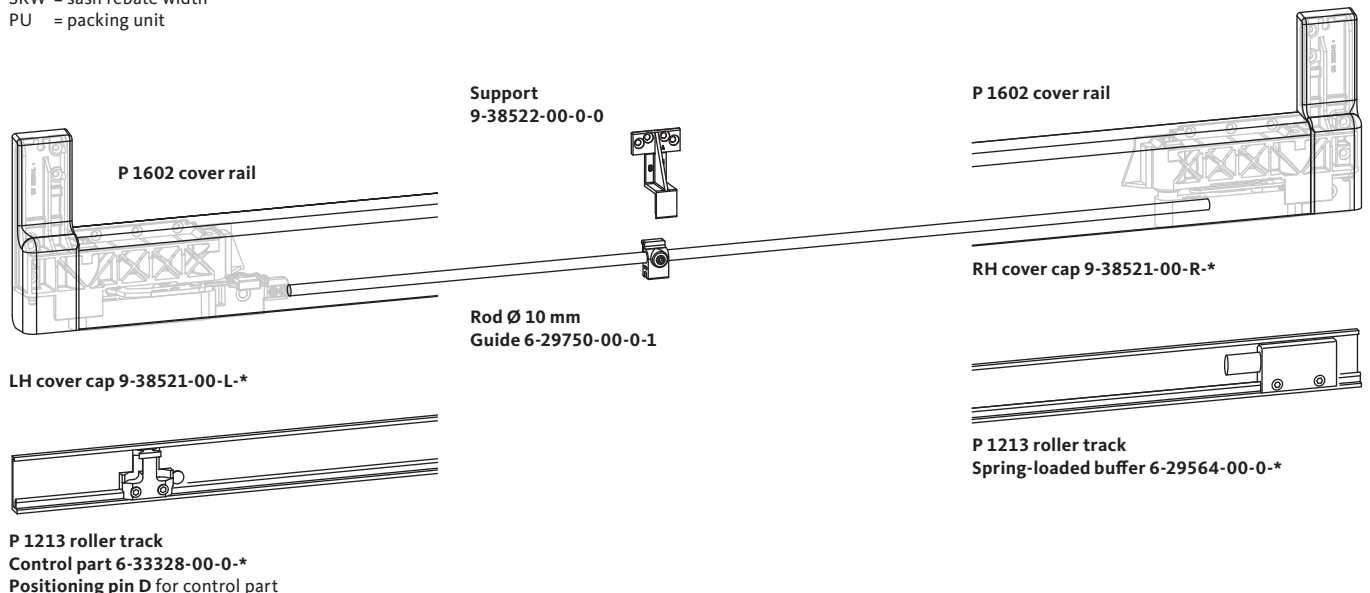
| Pattern | | | | | SRW [mm] | PU [qty.] | Order no. Handle LH side |
|---------|---|---|---|---|------------------------------------|-----------|-----------------------------|
| A | C | D | G | K | | | |
| 1 | 2 | 1 | 1 | 2 | 720 – 850 | 1 | K-15267-20-0-* |
| | | | | | 851 – 1100 | 1 | K-15267-25-0-* |
| | | | | | 1101 – 1350 | 1 | K-15267-30-0-* |
| | | | | | 1351 – 1600 | 1 | K-15267-35-0-* |
| | | | | | 1601 – 1850 | 1 | K-15267-40-0-* |
| | | | | | 1851 – 2000 | 1 | K-15267-45-0-* |
| | | 1 | | | Positioning pin D for control part | 1 | 9-39897-00-0-1 |

[1] * = Colour: 1 = EV 1, 5 = UC 5, 7 = white (RAL 9016)

Contents

| Description | Length [mm] | PU [qty.] | Order no. |
|----------------------------------|------------------|-----------|----------------|
| Rod Ø 10 mm | according to SRW | 1 | 9-23055-**-0-1 |
| P 1602 cover rail | according to SRW | 1 | 9-38801-**-0-* |
| P 1213 roller track | according to SRW | 1 | 9-30162-**-0-* |
| P 1225 guide rail top, T&S | according to SRW | 1 | 9-30140-**-0-* |
| P 1226 cover rail top, T&S / F&S | according to SRW | 1 | 9-30141-**-0-* |
| GU-966/200 accessory set | - | 1 | K-15265-00-0-* |

SRW = sash rebate width
PU = packing unit



Tilt&Slide hardware

Drilling jigs and templates for GU-mZ



GU-966/200 mZ, GU-966/150 mZ Axis 9 and 13 mm

| Application | Description | PU | Order no. |
|--|--|----|----------------|
| | Doors and windows | | |
| Assembly of turn handles | Drilling jig for geared turn handle | 1 | 6-25746-12-0-0 |
| | Drilling jig for handle inside and handle on both sides | 1 | 6-25745-00-0-1 |
| | Stop for drilling jig 6-25746-12 and drilling jig 6-25745 | 1 | 9-27406-00-0-1 |
| | Drilling and milling jig for geared turn handle Axis 9 mm | 1 | 6-32890-01-0-0 |
| | Axis 13 mm | 1 | 6-32890-02-0-0 |
| Assembly of bogies, stays guide rail and roller track | Milling template for stay and handle cutouts (with coupler) | 1 | 6-24429-00-0-0 |
| | Drilling jig for bogies and support | 1 | 9-30424-00-0-0 |
| | Drilling jig for positioning pin (control part pattern D) | 1 | 6-30447-00-0-0 |
| | Drilling jig for guide rail and roller track | 1 | 6-23616-00-0-1 |
| | Positioning jig for guide rail | 1 | 6-23246-00-0-0 |
| | Positioning jig for roller tracks | 1 | 6-23241-00-0-0 |
| | Milling cutter with guide ring | 1 | 6-24430-00-0-0 |
| Assembly of engaging strikers | Drilling jig for engaging strikers and corner drive strikers | 1 | 6-24230-01-0-0 |
| Profilsystem Eurodur 3 S | Positioning jig for engaging strikers | 1 | 9-30690-01-0-0 |
| Profilsystem Combidur AV | Drilling jig for engaging strikers | 1 | 6-24216-01-0-0 |
| Profilsystem Helmitin | Drilling jig for engaging strikers | 1 | 6-24228-01-0-0 |
| Assembly of engaging strikers | Positioning jig for engaging strikers Axis 9 and 13 mm | 1 | 6-29945-01-0-0 |
| Assembly of stay and corner drive | Positioning jig for stay and corner drive Axis 9 mm | 1 | 6-30272-00-0-0 |
| | Axis 13 mm | 1 | 6-30708-00-0-0 |
| | Positioning jig for centre stay Axis 9 and 13 mm | 1 | 6-29947-03-0-0 |
| | | | |
| Assembly of strikers | Positioning jig for strikers and engaging strikers Axis 9 and 13 mm | | |
| | Strikers: SRH 820-1120 | 1 | 6-32988-04-0-0 |
| | Strikers: SRH 1121-1870 | 1 | 6-32988-03-0-0 |
| | Strikers: SRH 1871-2370 | 1 | 6-32988-02-0-0 |
| | Strikers: SRW 890-2100 | 1 | 6-32988-01-0-0 |
| | Engaging strikers: | 1 | 6-29945-11-0-0 |

Installation drawings::

| | |
|--|---------|
| GU-966/150 mZ PVC | 0-45891 |
| GU-966/200 mZ PVC | 0-45817 |
| GU-966/200 mZ tandem bogie and centre stay | 0-45569 |
| Positioning jigs for GU-mZ conversion kit | 0-45644 |

Tilt&Slide hardware

GU-mZ strikers and engaging strikers, PVC systems



GU-966/200 mZ and GU-966/150 mZ

Table of strikers and engaging strikers

| Description | Order no. | SRW | SRH | Basic security Qty. per pattern | | | | Enhanced basic security Qty. per pattern | | | | RC 2 | | | |
|-------------------------------|------------------------------|----------------------|-------------|---------------------------------|---|----|---|--|---|----|---|--|----|----|----|
| | | | | A | D | G | K | A | D | G | K | A | D | G | K |
| Strikers (zinc) | according to profile systems | 720 – 890 | 820 – 995 | 3 | | 6 | | 1 | | 2 | | 1 | | 2 | |
| | | | 996 – 1620 | 5 | | 10 | | 3 | | 6 | | for anti-lift security device on rear corner drive | | | |
| | | | 1621 – 2370 | 7 | | 14 | | 5 | | 10 | | | | | |
| | | 891 – 1350 | 820 – 995 | 5 | | 10 | | 3 | | 6 | | | | | |
| | | | 996 – 1620 | 7 | | 14 | | 5 | | 10 | | | | | |
| | | | 1621 – 2370 | 9 | | 18 | | 7 | | 14 | | | | | |
| | | 1351 – 2100 | 820 – 995 | 7 | | 14 | | 5 | | 10 | | | | | |
| | | | 996 – 1620 | 9 | | 18 | | 7 | | 14 | | | | | |
| | | | 1621 – 2370 | 11 | | 22 | | 9 | | 18 | | | | | |
| | | Sec strikers (steel) | | | 2 | | 4 | | 4 | | 8 | | -- | | -- |
| Sec strikers (steel) | according to profile systems | 720 – 890 | 820 – 995 | | | | | | | | | 4 | | 8 | |
| | | | 996 – 1620 | | | | | | | | | 6 | | 12 | |
| | | | 1621 – 2370 | | | | | | | | | 8 | | 16 | |
| | | 891 – 1350 | 820 – 995 | | | | | | | | | 6 | | 12 | |
| | | | 996 – 1620 | -- | | -- | | -- | | -- | | 8 | | 16 | |
| | | | 1621 – 2370 | | | | | | | | | 10 | | 20 | |
| | | 1351 – 2100 | 820 – 995 | | | | | | | | | 8 | | 16 | |
| | | | 996 – 1620 | | | | | | | | | 10 | | 20 | |
| | | | 1621 – 2370 | | | | | | | | | 12 | | 24 | |
| | | Engaging strikers | | -- | 3 | | 6 | | 3 | | 6 | | 3 | | 6 |
| Sash centering device | 9-43223-55-0-1 | | | 1 | | 2 | | 1 | | 2 | | 1 | | 2 | |
| Rebate clearance restrictor | 9-43219-00-0-1 | | | 2 | | 4 | | 4 | | 8 | | 4 | | 8 | |
| | | | | optional | | | | optional | | | | Standard | | | |
| Striker for pattern C | 9-31960-00-0-1 | | | -- | | | | | | | | | | | |
| Countersunk screw M4x10 | 9-13281-10-R-1 | | | -- | | | | | | | | | | | |
| Mushroom cam striker scheme C | 9-39189-00-0-1 | | | -- | | | | | | | | | | | |

| SRH | Pattern C | | | | | |
|--|---|-------------------------|---|--|-------------------------|---|
| | Passive sash with ZH lever-operated gear or GU-mZ gear for pattern C Quantity per pattern – without dummy mullion strikers | | | Passive sash with ZK lever-operated gear and dummy mullion profile Quantity per pattern – with dummy mullion strikers | | |
| | Basic security | Enhanced basic security | RC 2 | Basic security | Enhanced basic security | RC 2 |
| 1371 – 1620 | 6 | 4 | 2 for anti-lift security device on rear corner drive | 10 | 5 | 2 for anti-lift security device on rear corner drive |
| 1621 – 1870 | 8 | 6 | | 13 | 8 | |
| 1871 – 2370 | 10 | 8 | | 16 | 11 | |
| 1371 – 1620 | 10 | 8 | | 14 | 9 | |
| 1621 – 1870 | 12 | 10 | | 17 | 12 | |
| 1871 – 2370 | 14 | 12 | | 20 | 15 | |
| 1371 – 1620 | 14 | 12 | | 18 | 13 | |
| 1621 – 1870 | 16 | 14 | | 21 | 16 | |
| 1871 – 2370 | 18 | 16 | | 24 | 19 | |
| -- | 4 | 6 | -- | 5 | 10 | -- |
| 1371 – 1620 | -- | -- | 8 | -- | -- | 13 |
| 1621 – 1870 | | | 10 | | | 16 |
| 1871 – 2370 | | | 12 | | | 19 |
| 1371 – 1620 | | | 12 | | | 17 |
| 1621 – 1870 | | | 14 | | | 20 |
| 1871 – 2370 | | | 16 | | | 23 |
| 1371 – 1620 | | | 16 | | | 21 |
| 1621 – 1870 | | | 18 | | | 24 |
| 1871 – 2370 | | | 20 | | | 27 |
| 6 | | | | | | |
| 2 | | | | | | |
| Stulp-Schließplatten für Falzhebelverschluss ZH oder Getriebe GU-mZ Schema C Stück je Schema | | | | | | |
| 1371 – 1620 | 2 | 1 | -- | -- | -- | -- |
| 1621 – 1870 | 3 | 2 | | | | |
| 1871 – 2370 | 4 | 3 | | | | |
| 1371 – 1620 | 2 | | -- | -- | -- | -- |
| 1621 – 1870 | 3 | | | | | |
| 1871 – 2370 | 4 | | | | | |
| 1371 – 1620 | 1 | 2 | 3 | -- | -- | -- |
| 1621 – 1870 | | | 4 | | | |
| 1871 – 2370 | | | 5 | | | |

Tilt&Slide hardware

GU-mZ strikers and engaging strikers, PVC systems



GU-966/200 mZ and GU-966/150 mZ

Table of strikers and engaging strikers

| Profile systems | | | | | | | |
|-------------------------|----------|----------|----------|---------------|---------|-------------|--|
| | Sash | Frame | Mullion | Dummy mullion | Axis mm | Overlap / ° | |
| Accord | 503002 | 503001 | 503003 | | 9.0 | 19.0 / 0° | |
| Accord | 503602 | 503601 | 503603 | 503604 | 9.0 | 19.0 / 0° | |
| Accord Contour 7.0 MD | A.FL 02 | A.RA 03 | | A.KA 01 | 13.0 | 20.0 / 0° | |
| Actual 500 | P 1515 | P 1501 | P 1510 | | 9.0 | - / - | |
| Actual A 600 | | | | | 13.0 | - / 0° | |
| Alphacan Esthea | 53/05 | 53/45 | 53/36 | | 13.0 | 20.0 / 0° | |
| Alphacan Esthetis | PL 53-15 | PL 53-45 | PL 53-36 | | 13.0 | 20.0 / 0° | |
| Alphacan Fersina Master | ZOM | ELA | TIA | | 9.0 | 21.7 / 0° | |
| Aluplast Ideal 1000 | 100x22 | 100x01 | 100x46 | 120205 | 13.0 | 20.0 / 5° | |
| Aluplast Ideal 2000 | 120022 | 120002 | 120041 | 120204 | 13.0 | 20.0 / 5° | |
| Aluplast Ideal 4000 | 140032 | 140002 | 140044 | 140066 | 13.0 | 20.0 / 0° | |
| Aluplast Ideal 5000 | 150032 | 150003 | 150043 | 150065 | 13.0 | 20.0 / 0° | |
| Aluplast Ideal 6000 | 160032 | 160003 | 160043 | 160065 | 13.0 | 20.0 / 0° | |
| Aluplast Signum 21 | 70 | 71 (77) | 72 | | 9.0 | 20.0 / 0° | |
| Aluplast Signum 25 | 2539 | 2534 | 2547 | | 13.0 | 20.0 / 0° | |
| Aluplast Signum 26 | 2611 | 2602 | 2621 | | 13.0 | 20.0 / 0° | |
| Astraseal | HF 51 | HF 67 | HF 74 | | 9.0 | | |
| Astraseal | | | | | 9.0 | | |
| Atrya (Tryba) E 58 | Z 94 | L 65 | T 84R | | 9.0 | 20.0 / 5° | |
| Atrya (Tryba) T 58 | Z 76 J | L 66/3J | | | 13.0 | 20.0 / 5° | |
| Atrya (Tryba) T 62 | BL 110 | NS 100 | MD 100 | ME 200 | 9.0 | 20.0 / 5° | |
| Brügmann AD | HP 153 | HP 104 | HP 302 | HP 350 | 13.0 | 20.0 / 0° | |
| Brügmann MD | HP 253 | HP 202 | HP 402 | HP 451 | 13.0 | 20.0 / 0° | |
| Bug Serie Kompakt | | | 690 470 | | 9.0 | | |
| Deceuninck 1800 | P 1806 | P 1801 | | | 9.0 | 21.0 / 0° | |
| Deceuninck Mondial | P 2020 | P 2000 | | | 13.0 | 21.0 / 0° | |
| Deceuninck Mondial | P 2021 | P 2010 | P 2031 | | 13.0 | 21.0 / 0° | |
| Deceuninck Mondial | P 2105 | P 2100 | | | 13.0 | 21.0 / 0° | |
| Deceuninck Zendow | 3052 | 3001 | 3082 | 3077 | 13.0 | 20.0 / 5° | |
| Deltaplast | PA 006 | PA 002 | PA 004 | | | | |
| Dimat 60 (Amari) | 621 | 610-2 | 630 | | 9.0 | | |
| Dimat 65 (Amari) | 30229 | 30228 | 50530 | | 9.0 | | |
| Dimex Accord | 712 100 | 711 800 | | | 13.0 | 20.0 / 0° | |
| Dimex Komfort | | | | | 13.0 | 20.0 / 0° | |
| Dongsan (Korea) | 1616 | 1604 | | | | 20.0 / - | |
| Duraco Combidur MPF | SP 1091 | SP 1034 | SP 1037 | | | | |
| Ego Kiefer | | | | | 9.0 | | |
| Epwin | 2230 | 2207 | 2212 | 2231 | 17.5 | | |
| Eurext | R 704 | R 703 | R 701 | | 9.0 | | |
| Europlast 7000 | R 7010 | R 7000 | | R 7058 | 9.0 | 21.2 / 5° | |

| Engaging strikers and strikers | | | | | | Lockable handle | | | |
|--------------------------------|----------------|----------------------|---------------------|-----------------------|---------------------|-----------------|----|--------|----|
| Engaging striker | Striker frame | Striker "Ahs" (zinc) | Sec striker (steel) | Striker dummy mullion | Lever-operated gear | both sides | | inside | |
| PU 20 | PU 100 | PU 100 | PU 100 | PU 100 | | 30 | 40 | 30 | 40 |
| 9-29990-01-0-1 | 9-34325-00-0-1 | | | | | | | | |
| 9-29990-01-0-1 | 9-34325-00-0-1 | | | 9-30146-01-0-1 | ZK | | | | |
| 9-38625-00-0-1 | 9-38620-00-0-1 | 9-39847-00-0-1 | 6-27831-05-0-1 | | | | | | |
| 9-29990-12-0-1 | 9-34542-00-0-1 | | | | | | | | |
| 9-29990-17-0-1 | 9-39614-00-0-1 | | 6-27831-26-0-1 | | | | | | |
| E-18427-00-0-1 | E-18104-00-0-1 | | | | | | | | |
| E-18427-00-0-1 | E-18104-00-0-1 | | | | | | | | |
| 9-29990-07-0-1 | 9-36886-00-0-1 | 9-42580-00-0-1 | 6-27674-31-0-1 | | | | | | |
| 9-36496-00-0-1 | 9-34907-00-0-1 | 9-39847-00-0-1 | 6-27831-05-0-1 | E-13534-12-0-1 | ZH | | | | |
| 9-36496-00-0-1 | 9-34907-00-0-1 | 9-39847-00-0-1 | 6-27831-05-0-1 | E-13534-12-0-1 | ZH | | | | |
| 9-36496-00-0-1 | 9-38218-00-0-1 | 9-41531-00-0-1 | 6-27831-08-0-1 | E-13534-12-0-1 | ZH | | X | X | X |
| 9-36496-00-0-1 | 9-38218-00-0-1 | 9-41531-00-0-1 | 6-27831-08-0-1 | E-13534-12-0-1 | ZH | | | | |
| 9-36496-00-0-1 | 9-38218-00-0-1 | 9-41531-00-0-1 | 6-27831-08-0-1 | E-13534-12-0-1 | ZH | | | | |
| 9-29990-04-0-1 | 9-30146-04-0-1 | | 6-27674-17-0-1 | | | | | X | X |
| 9-35771-00-0-1 | 9-35770-00-0-1 | | 6-27831-02-0-1 | | | | | | |
| 9-36277-00-0-1 | E-19225-01-0-1 | | | | | | | | |
| 9-29990-02-0-1 | 9-30146-02-0-1 | | | E-11968-00-0-1 | | | | | |
| 9-29990-15-0-1 | E-11968-00-0-1 | | | E-11968-00-0-1 | ZK | X | X | X | X |
| 9-29990-27-0-1 | E-16069-00-0-1 | | 6-27674-22-0-1 | | | X | | X | |
| 9-36277-00-0-1 | E-18949-00-0-1 | | 6-27831-06-0-1 | | | | | | |
| 9-29990-06-0-1 | E-16237-00-0-1 | | 6-27674-21-0-1 | E-13534-12-0-1 | ZK | | X | X | X |
| 9-36277-00-0-1 | 9-34907-00-0-1 | 9-39847-00-0-1 | 6-27831-05-0-1 | E-13534-12-0-1 | ZH | X | X | X | X |
| 9-36277-00-0-1 | 9-34907-00-0-1 | 9-39847-00-0-1 | 6-27831-05-0-1 | E-13534-12-0-1 | ZH | | X | X | X |
| 9-30163-18-0-1 | 9-30147-00-0-1 | | | | | X | | X | |
| 9-35527-00-0-1 | 9-36544-00-0-1 | | 6-27674-14-0-1 | | | | | | |
| 9-29990-39-0-1 | 9-35737-00-0-1 | 9-42583-00-0-1 | 6-27831-10-0-1 | | | | | | |
| 9-29990-39-0-1 | E-18369-02-0-1 | 9-42583-00-0-1 | 6-27831-10-0-1 | | | X | | X | |
| 9-29990-39-0-1 | 9-35737-00-0-1 | 9-42583-00-0-1 | 6-27831-31-0-1 | | | | | | |
| 9-35509-00-0-1 | 9-35508-00-0-1 | 9-41825-00-0-1 | 9-40032-00-0-1 | E-13534-12-0-1 | | X | | X | |
| 9-29990-06-0-1 | 9-30146-06-0-1 | | | | | | | X | |
| 9-29990-29-0-1 | E-11794-12-0-1 | | | | | | X | X | X |
| 9-29990-50-0-1 | E-11794-06-0-1 | | | | | X | | X | |
| 9-36277-00-0-1 | 9-34907-00-0-1 | | 6-27831-05-0-1 | | | | | | |
| 9-36277-00-0-1 | 9-34907-00-0-1 | 9-41531-00-0-1 | 6-27831-08-0-1 | | | X | | X | |
| 9-33807-00-0-1 | 9-33802-00-0-1 | | | | | | | | |
| 9-30163-18-0-1 | 9-30147-00-0-1 | | | | | | | X | |
| 9-36033-00-0-1 | 9-34202-00-0-1 | | 6-27674-38-0-1 | | | | X | X | X |
| 9-29990-37-0-1 | 9-30912-05-*1 | | | 9-30912-05-0-1 | ZK | X | X | X | X |
| 9-30625-00-0-1 | 9-30627-00-0-1 | | | | | X | | X | |
| 9-29990-09-0-1 | 9-30146-09-0-1 | | | 9-30146-09-0-1 | ZK | | | | |

Tilt&Slide hardware

GU-mZ strikers and engaging strikers, PVC systems



GU-966/200 mZ and GU-966/150 mZ

Table of strikers and engaging strikers

| Profile systems | | | | | | | |
|--------------------------|-----------|-----------|-----------|---------------|---------|-------------|--|
| | Sash | Frame | Mullion | False mullion | Axis mm | Overlap / ° | |
| Feba | FL 06 | BR 01 | | | 9.0 | | |
| Finstral | D 237 | D 242 | D 222 | | 9.0 | | |
| Funke KS Helios | | | | | 13.0 | 20.0 / 3° | |
| Funke System Phoenix | 03 302 | 03 102 | | | | 20.0 / 3° | |
| Gealan S 3000 | 3090 | 3008 | 3038 | 3301 | 13.0 | 20.0 / 0° | |
| Gealan S 6000 | 6093 | 6008 | 6037 | | 13.0 | 20.0 / 0° | |
| Gealan S 7000 iQ | 7093 | 7008 | 7037 | 7303 | 13.0 | 20.0 / 0° | |
| Gealan S 7000 iQ | 7093 | 7008 | 7037 | 7302 | 13.0 | 20.0 / 0° | |
| Gealan S 8000 | 8093 | 8011 | 8037 | 8080 | 13.0 | 20.0 / 0° | |
| Gromathic System AD 3100 | GM 3101 | GM 3108 | | | 9.0 | 20.0 / 0° | |
| Gromathic System FV | GM 2400 | GM 2401 | GM 2402 | | 9.0 | 20.0 / 0° | |
| Gromathic System MD 3000 | GM 3000 | GM 3008 | | | 9.0 | 20.0 / 0° | |
| Hapa | 7701 | 7700 | 7703 | | | | |
| Helmitin CS | 4-60091 | 4-60090 | 4-60094 | 4-60096 | 13.0 | | |
| Helmitin KS | 4-60132 | 4-60111 | 4-60121 | 4-60124 | 13.0 | 20.0 / 0° | |
| Helmitin KSL | 4-60185 | 4-60182 | 4-60195 | 4-60201 | 13.0 | 20.0 / 0° | |
| Helmitin MS | 4-60089 | 4-60055 | 4-60088 | | 13.0 | | |
| Hesaplast | 3302 | 3301 | | | | | |
| Hocoplast H 120 | 120-86 | 100-68 | | | | 20.0 / 5° | |
| Home | F 83 | B 80 | | | 9.0 | 20.0 / 6° | |
| Illerplastic | HFL 1.201 | HST 1.121 | HPF 1.300 | | 9.0 | | |
| Inefa Kontur 2000 | 1209 | 1201 | 1203 | 1217 | 9.0 | | |
| Inoutic AD | Z 10 | L 10 | T 20 | SZ 1 | 13.0 | 21.0 / 0° | |
| Inoutic Elite | H 740 | L 710 | | | 13.0 | 20.0 / 0° | |
| Inoutic Exclusive | ZE 183 | LE 128 | TE 152 | | 9.0 | | |
| Inoutic Kompakt | Z1 -Z3 | L1-L2 | T2 | | | | |
| Inoutic MD 100 | ZM 200 | LM 200 | TM 100 | | 13.0 | 21.0 / 0° | |
| Inoutic Mitteldichtung | ZM 2 | LM 20 | TM 10 | SFM 1 | 9.0 | 21.0 / 0° | |
| Inoutic Prestige | Z 184 | L 176 | T 276 | SFZ 176 | 13.0 | 21.0 / 0° | |
| Integratio (Möller) | 68110 | 68020 | 68220 | | 9.0 | | |
| Internorm | 16002 | 16001 | 16003 | | 9.0 | 20.0 / 0° | |
| Internorm | | | | | 9.0 | 20.0 / 0° | |
| Intertec (Greiner) | GF 1022 | GR 1001 | GK 1040 | | 9.0 | 20.0 / 0° | |
| Intertec WD 70 (Greiner) | 140001 | 140020 | 140040 | 140050 | 13.0 | 20.0 / 0° | |
| Isobelec | Z 86 | D 70 | TD 86 | | 9.0 | | |
| Isoferm | GA 301 | GA 304 | GA 306 | | 9.0 | | |
| Ital Plastick | 07073ZE | 07073EL | 07073TM | 07073TC | 9.0 | 20.0 / 0° | |
| Ital Plastick | Z/01 | L/41 | T/21 | | 9.0 | 20.0 / 0° | |
| Josko | | | | | 13.0 | | |
| Knipping SK 4010 | SK 4236 | SK 4133 | | | 13.0 | | |

| | Engaging strikers and strikers | | | | | | Lockable handle | | | |
|----------------|--------------------------------|----------------|----------------------|---------------------|-----------------|---------------------|-----------------|----|--------|----|
| | Engaging striker | Striker frame | Striker "Ahs" (zinc) | Sec striker (steel) | Striker mullion | Lever-operated gear | both sides | | inside | |
| | PU 20 | PU 100 | PU 100 | PU 100 | PU 100 | | 30 | 40 | 30 | 40 |
| 9-36033-00-0-1 | E-14339-00-0-1 | | | | | | X | | X | |
| 9-29990-06-0-1 | 9-30146-06-0-1 | | | | | | | X | X | X |
| 9-36277-00-0-1 | 9-42972-00-0-1 | 9-42586-00-0-1 | 6-31067-03-0-1 | | | | | | | |
| 9-36277-00-0-1 | 9-34907-00-0-1 | 9-42586-00-0-1 | | | | | | | | |
| 9-35740-00-0-1 | 9-35858-00-0-1 | 9-39155-00-0-1 | 6-27831-04-0-1 | 9-35858-00-0-1 | ZK | | | | | |
| 9-36277-00-0-1 | 9-37885-00-0-1 | 9-41536-00-0-1 | 6-27831-22-0-1 | | | | | | | |
| 9-35740-00-0-1 | 9-35858-00-0-1 | 9-39155-00-0-1 | 6-27831-04-0-1 | 9-35858-00-0-1 | ZK | | | | | |
| 9-35740-00-0-1 | 9-35858-00-0-1 | 9-39155-00-0-1 | 6-27831-04-0-1 | E-13534-12-0-1 | ZH | | | | | |
| 9-35740-00-0-1 | 9-35858-00-0-1 | | 6-27831-04-0-1 | E-13534-12-0-1 | ZH | | | | | |
| 9-30625-00-0-1 | 9-34202-00-0-1 | | 6-27674-18-0-1 | | | | | | | |
| 9-29990-16-0-1 | 9-30146-16-0-1 | | | | | X | | | X | |
| 9-30625-00-0-1 | 9-34202-00-0-1 | | 6-27674-24-0-1 | | ZK | | | | | |
| 9-30163-18-0-1 | 9-30147-00-0-1 | | | | | | | | | |
| 9-35715-00-0-1 | 4-64667-00-0-1 | | | 9-30146-08-0-1 | ZK | | | | | |
| 9-35715-00-0-1 | 4-64667-00-0-1 | | 6-27831-01-0-1 | 4-64667-00-0-1 | ZK | | | | | |
| 9-29990-35-0-1 | 9-34907-00-0-1 | | 6-27831-01-0-1 | | ZH | | | | | |
| 9-29990-08-0-1 | 9-30146-08-0-1 | | | | ZK | | | | X | |
| 9-29990-So-0-1 | 9-30146-So-0-1 | | | | | | | | | |
| 9-29990-27-0-1 | E-11968-00-0-1 | | 6-27674-19-0-1 | | | | | | | |
| 9-29990-01-0-1 | 9-30146-01-0-1 | | | | | | | | | |
| 9-30163-18-0-1 | 9-30147-00-0-1 | | 6-27674-29-0-1 | | | | | | | |
| 9-29990-07-0-1 | 9-30146-07-0-1 | | 6-27674-35-0-1 | 9-31960-00-0-1 | ZH | | X | X | X | X |
| 9-29990-08-0-1 | 9-34492-00-0-1 | 9-41534-00-0-1 | 6-27831-03-0-1 | 9-30146-17-0-1 | ZK | | | | | |
| 9-29990-08-0-1 | 9-34492-00-0-1 | 9-41534-00-0-1 | 6-27831-03-0-1 | | | X | X | X | X | X |
| 9-36033-00-0-1 | 9-34202-00-0-1 | | | | | | | | | |
| 9-30163-18-0-1 | E-11968-00-0-1 | | | | | X | | | X | |
| 9-29990-08-0-1 | 9-34492-00-0-1 | 9-41534-00-0-1 | 6-27831-03-0-1 | | | | | | | |
| 9-29990-13-0-1 | 9-31755-00-0-1 | | 6-27674-09-0-1 | 9-31960-00-0-1 | ZH | | | | | |
| 9-29990-08-0-1 | 9-34492-00-0-1 | 9-41534-00-0-1 | 6-27831-03-0-1 | E-13534-12-0-1 | ZH | X | X | X | X | X |
| 9-29990-06-0-1 | 9-30146-06-0-1 | | | | | | | | | X |
| 9-29990-01-0-1 | 9-30146-01-0-1 | | | | | | | | | |
| 9-29990-01-0-1 | 9-30146-01-0-1 | | | 9-31960-00-0-1 | ZH | | X | | | X |
| 9-29990-27-0-1 | E-14339-00-0-1 | | | | | | X | | X | X |
| 9-37055-00-0-1 | 9-38634-00-0-1 | | | E-13534-12-0-1 | ZH | | | | | |
| 9-29990-08-0-1 | 9-30146-99-0-1 | | | | | X | | | X | |
| 9-30163-18-0-1 | 9-30147-00-0-1 | | | | | | | | | |
| 9-29990-04-0-1 | 9-30146-04-0-1 | | | 9-30146-04-0-1 | ZK | | | | | |
| 9-29990-17-0-1 | 9-30146-99-0-1 | | | | | | | | | |
| 9-43124-00-0-1 | 9-43118-00-0-1 | | 6-33144-00-0-1 | | | | | | | |
| 9-37055-00-0-1 | 9-37137-00-0-1 | | 6-27831-40-0-1 | | | | | | | |

Tilt&Slide hardware

GU-mZ strikers and engaging strikers, PVC systems



GU-966/200 mZ and GU-966/150 mZ

Table of strikers and engaging strikers

| Profile systems | | | | | | | |
|-------------------------------|------------|---------|---------|---------------|---------|-------------|--|
| | Sash | Frame | Mullion | False mullion | Axis mm | Overlap / ° | |
| LB-Profile PAD | AZ 2-3 | AL 1-3 | AT 2-2 | | 13.0 | 20.0 / 0° | |
| Lucobay | 22/03 | 22/01 | 22/02 | | 9.0 | | |
| Panorama 3000 | 3015 | 3001 | | | 13.0 | 20.0 / 0° | |
| Plastival PF 5900 | F 001 | F 010 | | | | 20.0 / 7° | |
| Plastmo 2000 | 5032080 | 5032025 | 5032030 | | 9.0 | 20.0 / 0° | |
| Plastmo Index | 6035040 | 6035025 | 6035032 | 6035085 | | | |
| Plustec Premium | FR 61 HV-5 | BR 76-5 | SP 85 V | | 13.0 | 20.0 / 0° | |
| Plustec Softline | FR 60 V | BR 76 | SP 85 V | | 13.0 | 20.0 / 0° | |
| Polyval | 1.104 | 1.100 | 1.105 | | 9.0 | | |
| Primo | P 1812 | P 1812 | P 1815 | | 9.0 | | |
| Primo 400 | P 2106 | P 3043 | P 2382 | | 9.0 | 20.0 / 12° | |
| Primo 4000 | | | | | 13.0 | 20.0 / -° | |
| Profel | P 602 | P 601 | P 603 | | 9.0 | 20.0 / 0° | |
| Profine Eurodur 3S | 1411 | 1402 | 1425 | 1440 | 13.0 | 20.0 / 4° | |
| Profine EuroFutur Classic | 2411 | 2402 | 2422 | 2440 | 13.0 | 20.0 / 4° | |
| Profine EuroFutur Elegance | 111 | 102 | 122 | 140 | 13.0 | 20.0 / 4° | |
| Profine Gold | 1463 | 1461 | 1469 | 1440 | 13.0 | 20.0 / 4° | |
| Profine KBE 58 | 318 | 306 | 132 | 734 | 9.0 | 20.0 / 2.5° | |
| Profine KBE 70 | 375 | 370 | 380 | 385 | 13.0 | 20.0 / 0° | |
| Profine Kömmerling 88+ | 6214 | 6201 | 6221 | 6307 | 13.0 | 20.0 / 4° | |
| Profine Tritec | P 1472 | P 1300 | P 1022 | | 9.0 | 20.0 / 0° | |
| Profine Trocal 88+ | 8221 | 8102 | 8301 | 8324 | 13.0 | 20.0 / 0° | |
| Profine Trocal 900 | 920700 | 910100 | 930200 | 935100 | 9.0 | 20.0 / 0° | |
| Profine Trocal Confort | 120400 | 110200 | 130600 | | 13.0 | 20.0 / 0° | |
| Profine Trocal Innonova 2000 | 520100 | 510100 | 530100 | 532100 | 13.0 | 20.0 / 0° | |
| Profine Trocal Innonova 70 AD | 622140 | 610230 | 630140 | | 13.0 | 20.0 / 0° | |
| Profine Trocal Innonova 70 MD | 520600 | 510300 | 530400 | | 13.0 | 20.0 / 0° | |
| Pural | P 005 | P 010 | P 011 | P 008 | 9.0 | 18.0 / 0° | |
| Pural | P 005 | P 002 | | | 9.0 | 18.0 / 0° | |
| Ramplast Ecotherm | 302-01 | 301-01 | 303-01 | 304-01 | 9.0 | 20.0 / 0° | |
| Reckendrees DD | 5203207 | 5201304 | 5205300 | | | | |
| Record Quadro | | | | | 13.0 | | |
| Rehau S 707 | 612 722 | 622 372 | 622 382 | | | | |
| Rehau S 711 | 551 020 | 551 080 | 551 030 | | 9.0 | 20.0 / 0° | |
| Rehau S 711 | 551 020 | 551 150 | 551 030 | 551 050 | 9.0 | 20.0 / 0° | |
| Rehau S 711 | 551 060 | 551 040 | 551 030 | | 9.0 | 20.0 / 0° | |
| Rehau S 729 | 543 021 | 543 221 | 543 181 | | 13.0 | | |
| Rehau S 730 | 541 010 | 541 120 | 541 230 | 541 100 | 13.0 | 20.0 / 0° | |
| Rehau S 780 | 634 153 | 634 133 | | | 9.0 | 18.0 / 0° | |
| Roplasto 6001 Plus S-AD | 641300 | 619003 | 619202 | | 9.0 | 20.0 / 0° | |

| Engaging strikers and strikers | | | | | | Lockable handle | | | |
|--------------------------------|----------------|----------------------|---------------------|-----------------|---------------------|-----------------|----|--------|----|
| Engaging striker | Striker frame | Striker "Ahs" (zinc) | Sec striker (steel) | Striker mullion | Lever-operated gear | both sides | | inside | |
| PU 20 | PU 100 | PU 100 | PU 100 | PU 100 | | 30 | 40 | 30 | 40 |
| 9-35780-00-0-1 | 9-34907-00-0-1 | | 6-27831-05-0-1 | | | | | | |
| 9-29990-03-0-1 | E-13534-10-0-1 | | | | | X | | X | |
| 9-35740-00-0-1 | 9-41591-00-0-1 | | | | | | | X | X |
| E-18774-00-0-1 | E-18736-00-0-1 | | | | | | | | |
| 9-29990-01-0-1 | 9-30146-01-0-1 | | | | | | X | X | X |
| 9-36033-00-0-1 | 9-34202-00-0-1 | | | 9-34202-00-0-1 | | | | | |
| 9-36496-00-0-1 | 9-37135-00-0-1 | | 6-27831-02-0-1 | | | | | | |
| 9-36496-00-0-1 | 9-37135-00-0-1 | | 6-27831-02-0-1 | | | | | | |
| 9-29990-07-0-1 | E-13509-00-0-1 | | | | | | | | |
| 9-29990-42-0-1 | 9-30146-07-0-1 | | | | | X | | X | |
| 9-29990-42-0-1 | 9-36878-00-0-1 | | | | | | | | |
| 9-36277-00-0-1 | 9-34907-00-0-1 | | | | | | | | |
| 9-29990-16-0-1 | 9-30146-16-0-1 | | 6-27674-19-0-1 | | | | | | |
| 9-33807-00-0-1 | 9-33802-00-0-1 | 9-41530-00-0-1 | 6-27831-01-0-1 | 9-30146-11-0-1 | ZK | | | | |
| 9-33807-00-0-1 | 9-33802-00-0-1 | 9-41530-00-0-1 | 6-27831-01-0-1 | 9-30146-23-0-1 | ZH | | | | |
| 9-33807-00-0-1 | 9-33802-00-0-1 | 9-41530-00-0-1 | 6-27831-01-0-1 | 9-30146-23-0-1 | ZH | | | | |
| 9-35509-00-0-1 | 9-35508-00-0-1 | | 9-40032-00-0-1 | 9-30146-11-0-1 | ZK | | | | |
| 9-35527-00-0-1 | 9-31115-00-0-1 | 9-41533-00-0-1 | 6-27674-05-0-1 | E-13534-12-0-1 | ZK | | | | |
| 9-35509-00-0-1 | 9-35508-00-0-1 | 9-41825-00-0-1 | 6-27831-56-0-1 | E-13534-12-0-1 | ZH | | | | |
| 9-33807-00-0-1 | 9-33802-00-0-1 | 9-41530-00-0-1 | 6-27831-01-0-1 | 9-30146-23-0-1 | ZH | X | | X | |
| 9-29990-03-0-1 | E-15321-00-0-1 | | | | | | | | |
| 9-29990-06-0-1 | 9-41716-00-0-1 | 9-41717-00-0-1 | 6-27674-42-0-1 | 9-30146-23-0-1 | ZH | X | | X | |
| 9-29990-06-0-1 | 9-30806-00-0-1 | 9-42587-00-0-1 | 6-27674-07-0-1 | 9-30806-00-0-1 | | X | X | X | X |
| 9-37055-00-0-1 | 9-37137-00-0-1 | 9-42809-00-0-1 | 6-27831-40-0-1 | | | | | | |
| 9-29990-06-0-1 | 9-41716-00-0-1 | 9-41717-00-0-1 | 6-27674-42-0-1 | E-13534-12-0-1 | ZH | | | | |
| 9-37055-00-0-1 | 9-43159-00-0-1 | 9-42809-00-0-1 | 6-27831-40-0-1 | | | X | | X | |
| 9-37055-00-0-1 | 9-37137-00-0-1 | 9-42809-00-0-1 | 6-27831-40-0-1 | | | | | | |
| 9-29990-11-0-1 | 9-30146-11-0-1 | | | 9-30146-02-0-1 | ZK | | | | |
| 9-29990-40-0-1 | 9-30146-02-0-1 | | | | | | | | |
| 9-36033-00-0-1 | 9-31115-00-0-1 | | 6-27674-61-0-1 | E-13534-12-0-1 | ZH | | | | |
| 9-29990-32-0-1 | 9-30146-13-0-1 | | | | | | | X | |
| 9-30913-03-0-1 | 9-34907-00-0-1 | | | | | | | | |
| 9-29990-03-0-1 | E-13534-10-0-1 | | | | | | | | |
| 9-35446-00-0-1 | E-13685-00-0-1 | | 6-27674-12-0-1 | | | | | | |
| 9-35446-00-0-1 | E-13685-00-0-1 | | 6-27674-12-0-1 | E-13685-00-0-1 | ZK | | | | |
| 9-35446-00-0-1 | E-13685-00-0-1 | | 6-27674-12-0-1 | | | | | | |
| 9-35771-00-0-1 | 9-35770-00-0-1 | | 6-27831-02-0-1 | | | X | | X | |
| 9-35771-00-0-1 | 9-35770-00-0-1 | 9-42592-00-0-1 | 6-27831-02-0-1 | 9-31960-00-0-1 | ZH | | | | |
| 9-35446-00-0-1 | E-14339-00-0-1 | | 6-27674-13-0-1 | | | | | | |
| 9-29990-01-0-1 | E-15061-00-0-1 | 9-42584-00-0-1 | 6-27674-20-0-1 | | | | | | |

Tilt&Slide hardware

GU-mZ strikers and engaging strikers, PVC systems



GU-966/200 mZ and GU-966/150 mZ

Table of strikers and engaging strikers

| Profile systems | | | | | | | |
|-----------------------------|---------|---------|---------|---------------|---------|-------------|--|
| | Sash | Frame | Mullion | False mullion | Axis mm | Overlap / ° | |
| Roplasto 6001 Plus S-AD | 640200 | 619003 | | | 9.0 | 20.0 / 0° | |
| Roplasto 6001 Plus S-MD | 641300 | 611400 | 610400 | | 9.0 | 20.0 / 0° | |
| Roplasto 6001 Plus S-MD | 640200 | 610172 | | | 9.0 | 20.0 / 0° | |
| Roplasto 7001 | 220204 | 210804 | | | 13.0 | 22.0 / 0° | |
| Salamander Design 2D | 211 020 | 210 020 | 212 020 | 216 020 | 13.0 | 20.0 / 0° | |
| Salamander Design 3D | 211 230 | 110 220 | | | 13.0 | 20.0 / R14 | |
| Salamander Design MD | 111 036 | 110 036 | 112 025 | 116 025 | 13.0 | 20.0 / 0° | |
| Salamander Streamline | 251 030 | 250 220 | 252 130 | 256 030 | 13.0 | 20.0 / 0° | |
| Salamander Universal | 201 030 | 200 030 | 202 020 | 206 030 | 9.0 | 20.0 / 0° | |
| Salamander Universal | 201 020 | 200 020 | 202 020 | | 9.0 | 20.0 / 0° | |
| Schock Thermassiv | FE | BE | BK | | 9.0 | | |
| Schüco AS | 700100 | 702100 | 704100 | 718400 | 9.0 | 20.0 / 0° | |
| Schüco Corona AS 60 | 8129 | 8134 | 8111 | 8131 | 13.0 | 20.0 / 0° | |
| Schüco Corona CT 70 | 8563 | 8597 | | 8574 | 13.0 | 20.0 / 0° | |
| Schüco Corona MD 60 | 8122 | 8117 | 8126 | 8137 | 13.0 | 20.0 / 0° | |
| Schüco M+A | 717903 | 726703 | 727003 | 718303 | 9.0 | 20.0 / 5° | |
| Schüco MF | 717800 | 717600 | 718100 | 718300 | 9.0 | 20.0 / 5° | |
| Semperdur 6001 | 6103 | 6114 | 6104 | 6104 | 9.0 | | |
| Sotrap-Gregorex 2000 | | | | | 9.0 | | |
| Sotrap-Gregorex Plus | 1 | 80.90 | 2002 | | 9.0 | | |
| Spectus Windows | SW 07 | SW 05 | SW 06 | | 9.0 | 20.0 / 15° | |
| Stabau-Massiv | 58/106 | 58/65 | 56/92 | | 9.0 | | |
| Stöckel Ecostep | 2260 | 2111 | | | | 20.0 / - | |
| Stöckel Twinstep | 1210 | 1111 | 1120 | | 9.0 | | |
| Thermopur | P 2 | P 1 | P 4 | | 9.0 | | |
| Veka Alphaline | 103.314 | 101.236 | 102.242 | 102.245 | 13.0 | 20.0 / 0° | |
| Veka MD | 103.016 | 101.025 | 102.022 | | 9.0 | 20.0 / 0° | |
| Veka Softline 70 | 103.232 | 101.214 | 102.218 | 102.236 | 13.0 | 20.0 / 0° | |
| Veka Softline AD-Nutlage 13 | 103.196 | 101.111 | 102.103 | 102.196 | 13.0 | 20.0 / 0° | |
| Veka Softline AD-Nutlage 9 | 103.104 | 101.086 | 102.103 | 102.118 | 9.0 | 20.0 / 0° | |
| Veka Softline MD | 103.118 | 101.100 | 102.105 | 102.107 | 9.0 | 20.0 / 0° | |
| Veka Swingline | 103.235 | 101.235 | 102.235 | 102.236 | 13.0 | 20.0 / 0° | |
| Veka Topline AD | 103.212 | 101.205 | 102.200 | 102.236 | 13.0 | 20.0 / 0° | |
| Veka Topline MD | 103.222 | 101.222 | 102.220 | 102.226 | 13.0 | 20.0 / 0° | |
| Weltplast | 552000 | 550000 | 554000 | 562000 | 9.0 | - / 0° | |
| Weru AKF | | | | | 9.0 | | |
| Weru Classico | 2FV085 | 2GB068 | 2P090 | 2FSZ066 | | | |
| Weru K 38 | 27.024 | 28.649 | 2.6471C | | | | |
| Weru Palazzo | | | | | 13.0 | | |
| Weru Smartline | 622 140 | 610 230 | | | | | |

| | Engaging strikers and strikers | | | | | | Lockable handle | | | |
|----------------|--------------------------------|----------------|----------------------|---------------------|-----------------|---------------------|-----------------|----|--------|----|
| | Engaging striker | Striker frame | Striker "Ahs" (zinc) | Sec striker (steel) | Striker mullion | Lever-operated gear | both sides | | inside | |
| | PU 20 | PU 100 | PU 100 | PU 100 | PU 100 | | 30 | 40 | 30 | 40 |
| 9-29990-01-0-1 | E-15061-00-0-1 | | 9-42584-00-0-1 | 6-27674-20-0-1 | | | | | | |
| 9-29990-03-0-1 | E-13534-10-0-1 | | | 6-27674-So-0-1 | | | X | | X | |
| 9-29990-03-0-1 | E-13534-10-0-1 | | | 6-27674-So-0-1 | | | | | | |
| 9-35509-00-0-1 | 9-35508-00-0-1 | | | 6-27831-02-0-1 | | | | | | |
| 9-36277-00-0-1 | 9-38634-00-0-1 | 9-42593-00-0-1 | | 6-27831-30-0-1 | E-13534-12-0-1 | ZH | | | | |
| 9-36277-00-0-1 | 9-38634-00-0-1 | 9-41532-00-0-1 | | 6-31067-04-0-1 | E-13534-12-0-1 | ZH | | X | X | X |
| 9-36277-00-0-1 | 9-38634-00-0-1 | 9-42593-00-0-1 | | 6-27831-30-0-1 | E-13534-12-0-1 | ZH | X | | X | |
| 9-36277-00-0-1 | 9-38634-00-0-1 | 9-41532-00-0-1 | | 6-31067-04-0-1 | E-13534-12-0-1 | ZH | X | | X | |
| 9-29990-28-0-1 | 9-31750-00-0-1 | | | 6-27674-08-0-1 | 9-30146-16-0-1 | | X | | X | |
| 9-29990-28-0-1 | 9-31750-00-0-1 | | | 6-27674-08-0-1 | | | | | | |
| 9-31402-00-0-1 | 9-30146-03-0-1 | | | | | | | | | |
| 9-30625-00-0-1 | 9-30627-00-0-1 | | | 6-27674-18-0-1 | 9-30627-00-0-1 | | X | | X | |
| 9-36496-00-0-1 | 9-38218-00-0-1 | 9-41531-00-0-1 | | 6-27831-17-0-1 | E-13534-12-0-1 | ZH | X | | X | |
| 9-36277-00-0-1 | 9-38218-00-0-1 | 9-39847-00-0-1 | | 6-27831-25-0-1 | | ZK | X | | X | |
| 9-36496-00-0-1 | 9-38218-00-0-1 | 9-41531-00-0-1 | | 6-27831-17-0-1 | E-13534-12-0-1 | | X | | X | |
| 9-30625-00-0-1 | 9-30627-00-0-1 | | | 6-27674-27-0-1 | 9-30627-00-0-1 | | | | | |
| 9-30625-00-0-1 | 9-30627-00-0-1 | | | | 9-30748-03-0-1 | | | | | |
| 9-29990-03-0-1 | 9-30146-03-0-1 | | | | 9-30146-03-0-1 | | X | | X | |
| 9-29990-05-0-1 | 9-30146-05-0-1 | | | | | | | | | |
| 9-29990-05-0-1 | E-11968-00-0-1 | | | | | | | | | |
| 9-29990-05-0-1 | 9-30146-05-0-1 | | | | | | | | | |
| 9-29990-18-0-1 | 8-00842-00-0-1 | | | | | | | X | X | X |
| 9-36902-00-0-1 | 9-37730-00-0-1 | | | 6-27831-21-0-1 | | | | | | |
| 9-29990-06-0-1 | 9-30146-06-0-1 | | | 6-27674-07-0-1 | | | | | X | |
| 9-30163-18-0-1 | 9-30147-00-0-1 | | | | | | | | X | |
| 9-36277-00-0-1 | 9-42972-00-0-1 | 9-42586-00-0-1 | | 6-27831-32-0-1 | E-13534-12-0-1 | ZH | | | | |
| 9-29990-01-0-1 | E-15061-00-0-1 | | | | | | | | X | |
| 9-36277-00-0-1 | 9-42972-00-0-1 | 9-42586-00-0-1 | | 6-27831-32-0-1 | E-13534-12-0-1 | | | | | |
| 9-36277-00-0-1 | 9-42972-00-0-1 | 9-42586-00-0-1 | | 6-27831-32-0-1 | E-13534-12-0-1 | | | | | |
| 9-36033-00-0-1 | 9-34202-00-0-1 | 9-39848-00-0-1 | | 6-27674-46-0-1 | E-13534-12-0-1 | ZH | | | | |
| 9-36033-00-0-1 | 9-34202-00-0-1 | 9-39848-00-0-1 | | 6-27674-46-0-1 | E-13534-12-0-1 | ZK | | | X | |
| 9-36277-00-0-1 | 9-42972-00-0-1 | 9-42586-00-0-1 | | 6-27831-32-0-1 | | | | | | |
| 9-36277-00-0-1 | 9-42972-00-0-1 | 9-42586-00-0-1 | | 6-27831-32-0-1 | E-13534-12-0-1 | ZH | | | | |
| 9-36277-00-0-1 | 9-42972-00-0-1 | 9-42586-00-0-1 | | 6-27831-32-0-1 | E-13534-12-0-1 | ZH | | | | X |
| 9-30626-00-0-1 | 9-41364-00-0-1 | | | 9-41459-00-0-1 | E-13534-12-0-1 | ZH | | | | |
| 9-30163-18-0-1 | 9-30147-00-0-1 | | | | | | | | X | |
| 9-38001-00-0-1 | 9-38000-00-0-1 | | | 9-40107-00-0-1 | 9-31960-00-0-1 | ZH | | | | |
| 9-38001-00-0-1 | 9-38000-00-0-1 | | | 6-27831-29-0-1 | | | | X | X | X |
| 9-40110-00-0-1 | 9-40109-00-0-1 | | | 9-40114-00-0-1 | | | | | | |
| 9-33807-00-0-1 | 9-33802-00-0-1 | | | 6-27831-01-0-1 | | | | | | |

Tilt&Slide hardware

GU-mZ strikers and engaging strikers, PVC systems



GU-966/200 mZ and GU-966/150 mZ

Table of strikers and engaging strikers

Profile systems

| | Sash | Frame | Mullion | False mullion | Axis mm | Overlap / ° | |
|---------------|---------|--------|---------|---------------|---------|-------------|--|
| Weru Thermico | Z 57 | 72 MD | 98 MD | 60 | | | |
| Winsol | 82/053C | 82/05 | 82/039C | | 9.0 | | |
| Wymar | P 109 | P 103a | P 104b | | 9.0 | | |
| Wymar 1500 | 1507 | 1503 | | | | | |
| Wymar 2000 | 2205 | 2003 | | | 13.0 | 20.0 / 0° | |
| Wymar 2500 | | | | | 13.0 | 20.0 / 0° | |
| Wymar 3000 | 3200 | 3000 | 3100 | 3300 | 13.0 | 20.0 / 10° | |

| | Engaging strikers and strikers | | | | | | Lockable handle | | | |
|--|--------------------------------|----------------|----------------------|---------------------|-----------------|---------------------|-----------------|----|--------|----|
| | Engaging striker | Striker frame | Striker "Ahs" (zinc) | Sec striker (steel) | Striker mullion | Lever-operated gear | both sides | | inside | |
| | | | | | | | 30 | 40 | 30 | 40 |
| | PU 20 | PU 100 | PU 100 | PU 100 | PU 100 | | | | | |
| | 9-44523-02-0-1 | 9-44525-02-0-1 | | 6-30495-05-0-1 | | | | | | |
| | 9-29990-19-0-1 | E-11994-03-0-1 | | | | | | X | X X | |
| | 9-29990-03-0-1 | E-13568-00-0-1 | | | | | X | | X | |
| | 9-30913-03-0-1 | E-18289-00-0-1 | | | | | | | | |
| | 9-29990-39-0-1 | 9-35737-00-0-1 | | | | | | | | |
| | 9-42661-00-0-1 | E-19550-32-0-1 | 9-42660-00-0-1 | | E-13534-12-0-1 | | | | | |
| | 9-36277-00-0-1 | 9-41839-00-0-1 | 9-41746-00-0-1 | 6-27831-45-0-1 | E-13534-12-0-1 | | | | | |

B



Contents

The GU order catalogue contains all Tilt&Slide hardware systems and accessories according to the latest state of the art. The following information will make you familiar with the catalogue structure which is conceived in a way to facilitate your daily work.

Catalogue structure

The GU order catalogue is structured as follows:

- Optional parts and turn handles
- Hardware sets
- Drilling jigs and templates
- Strikers, engaging strikers

The catalogue is structured to meet the requirements of the customers.

Optional parts and turn handles

Optional parts and turn handles for the complete Tilt&Slide hardware range are presented on special pages and can be viewed at a glance. All supplements of standard hardware versions are clearly arranged.

Locking systems

Hardware requirements depending on sash size for patterns A to K

The hardware illustrations are accompanied by product tables helping to determine hardware requirements depending on the sash size.

Parts for supplementing standard hardware versions are clearly presented and can be selected easily.

Bogies, profiles and accessories

Hardware requirements for patterns A to K

The hardware illustrations are accompanied by product tables helping to determine hardware requirements. Parts for supplementing standard hardware versions are clearly presented and can be selected easily.

Drilling jigs and templates

Drilling jigs, templates and hardware assembly tools are listed according to hardware variants.

Strikers, engaging strikers

Strikers and engaging strikers are listed according to hardware type, profile system and the required burglar resistance.

Order numbers

The order number gives information about

- the product,
- its size,
- its application – e.g. DIN LH or DIN RH – and
- its colour.

Example

Order number
6-23830-01-0-1

6-23830- - - order number
- -01- - size
- - -L- left handed assembly (handle on the left)
- - -R- right handed assembly (handle on the right)
- - -0- non-handed
- - -1 F 1/EV 1, natural (silver) colour, ferGUard*silver
- - -2 F 2/EV 2, nickel silver / champaign colour
- - -3 F 3, brass colour or gold colour
- - -4 UC 3, medium bronze colour or medium brown
- - -A F 4, bronze colour
- - -B brass
- - -C titanium colour
- - -5 UC 5, dark bronze colour or dark brown (RAL 8022)
- - -6 onyx-matt or black (RAL 9005)
- - -7 white (RAL 9016)
- - -8 stainless steel or stainless steel colour
- - -* various finishes available

If the last digit of the order number is an asterisk (*), various colours are available which can be taken from the price list.

Prices

GU gross price list

The prices are listed by ascending order numbers.

Additional sales documents

Apart from the order catalogue, the following documents on Tilt&Slide hardware are available:

- Brochures giving information about product features and benefits
- Direct mail from architectural hardware retailers
- Installation drawings with hardware installation instructions
- Instructions for maintenance and care



Application

Possible applications of GU Tilt&Slide hardware:

- Tilt&Slide balcony-door elements with 2 to 4 sashes,
- Tilt&Slide window elements with 2 to 4 sashes, with roller tracks and guide tracks, each.

Locking systems

GU-966/150 oZ and GU-90 oZ Tilt&Slide locking systems

GU-966/150 oZ and GU-90 oZ locking systems feature one-handle operation and gasket pressure control from 1201 mm sash width; the retracting distance is 118 mm. The gears come with 15 mm backset for handle DIRIGENT [2], or as lockable gears with 25 to 50 mm backset and profile cylinder bore.

All locking parts are designed for a 16 mm hardware groove. Central locking system and corner drives feature adjustable locking cams.

Sash rebate widths over 851 mm and sash rebate heights over 751 mm require the use of extensions. The corner drives feature rust-proof 4-leaf stainless steel springs.

SRW 640-1600 mm, SRH 700-2350 mm

GU-966/100 oZ bb Tilt&Slide locking system

The GU-966/100 100 oZ bb locking system features one-handle operation and a retracting distance of 118 mm. Drive gears with 15 mm backset for turn handle DIRIGENT [2] or lockable gears with 25 to 50 mm backset prepared for profile cylinder. All locking parts are designed for a 16 mm hardware groove. Central locking system and corner drives feature adjustable locking cams. Sash rebate widths over 851 mm and sash rebate heights over 751 mm require the use of extensions. The corner transmissions are provided with rust-proof 4-leaf stainless steel springs.

SRW 640-1600 mm, SRH 700-2350 mm

[2] For more turn handles and accessories refer to catalogue section T.

Bogies, profiles and accessories

GU-966/150 oZ Tilt&Slide hardware system

Tilt&Slide hardware with 4-roll bogies with clamp-fixed connecting rod for windows and balcony-doors with sash widths SW up to 1600 mm and sash weights up to 130 kg. The rolls consist of deep-groove ball bearings with plastic sheathing.

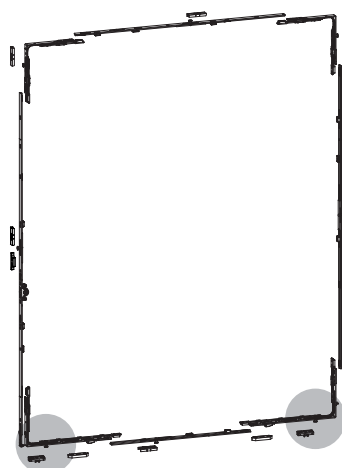
GU-966/150 oZ = for sash weights up to 130 kg

GU-966/100 oZ bb Tilt&Slide hardware system

Floor-flush Tilt&Slide hardware with 4-roll bogies running at the top and clamp-fixed connecting rods for windows and balcony-doors with sash widths SW from 640 to 1600 mm, sash heights SH from 700 to 2350 mm, and sash weights up to 100 kg. The rolls consist of deep groove ball bearings with plastic sheathing.

In combination with GU floor threshold DKS ideally suited for barrier-free construction – 20 mm free vertical space on the frame.

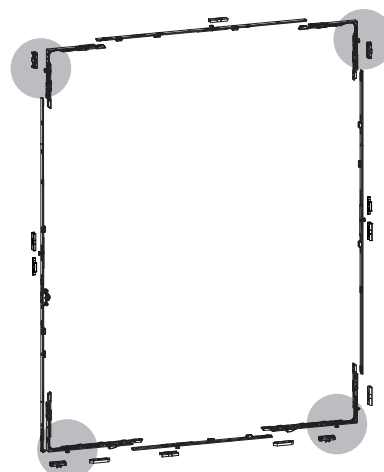
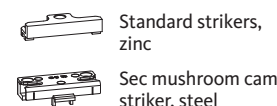
GU-966/100 oZ = for sash weights up to 100 kg



GU-oZ locking system

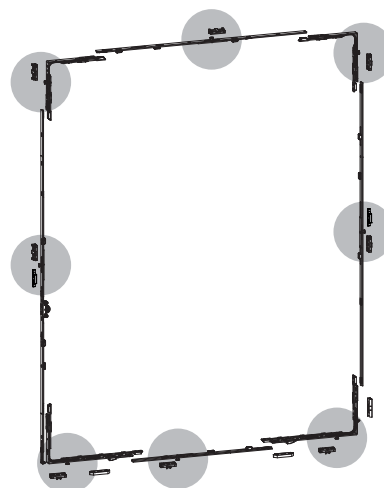
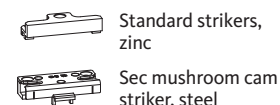
Basic security

- 2 Sec mushroom cam strikers of steel for corner drives
- Enhanced security for Tilt&Slide locking systems
- All further locking points are provided with standard strikers of zinc.



Enhanced basic security

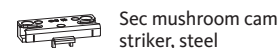
- 4 Sec mushroom cam strikers of steel for corner drives and stays
- Enhanced security for Tilt&Slide locking systems
- All further locking points are provided with standard strikers of zinc.



Tested security RC 2

All locking points on corner drives, stays and extensions or gears are provided with Sec mushroom cam strikers of steel.

- RC 2 security according to EN 1627:2011



GU-90 oZ Tilt&Slide hardware system

Tilt&Slide hardware with 4-roll bogies with clamp-fixed connecting rod for windows and balcony-doors with sash widths SW up to 1600 mm and sash weights up to 90 kg. The rolls consist of deep-groove ball bearings with plastic sheathing.

GU-90 oZ = for sash weights up to 90 kg



Strikers, engaging strikers

The strikers and engaging strikers for various timber frame profiles must be selected according to table.

Drilling jigs, templates

Templates and drilling jigs required for hardware installation are specified in the installation drawings.

DIRIGENT turn handles [1]

The attachment of the aluminium turn handles is concealed. The handle rosettes are provided with a sturdy detent mechanism and fixed lugs. Turn handles with PC hole and turn handle sets for both sides complete the programme.

Standard colours:

| | |
|-------------------|-----------------------|
| F 1/EV 1 | silver colour |
| F 2/EV 2 | champaign colour |
| F 3 | gold colour |
| F 4 | light brown |
| dark brown | dark brown (RAL 8022) |
| black | black (RAL 9005) |
| white | white (RAL 9016) |

[1] For more turn handles and accessories refer to catalogue section T.

Standard turn handles

Standard turn handles for GU-966/150 oZ, GU-966/100 oZ bb and GU-90 oZ Tilt&Slide hardware systems are DIRIGENT-F turn handles.

P 1300 roller tracks

Range of aluminium roller tracks for use with Tilt&Slide elements fitted with standard or special hardware versions.

P 1225 guide track

Aluminium guide track for Tilt&Slide sashes. Serves as upper closure of the element, available with buffer on request.

Standard colours

Tilt&Slide hardware systems are available in the following standard colours:

| | |
|--------------|---|
| EV 1 | Visible aluminium hardware components EV-1 anodized, cover profiles grey |
| UC 3 | Visible aluminium hardware components medium bronze anodized, cover profiles medium brown |
| UC 5 | Visible aluminium hardware components dark bronze anodized, cover profiles dark brown |
| white | Visible aluminium hardware components EV1 anodized, cover profiles white |

Further colours and finishes on request.

Standard surface sealing of Tilt&Slide hardware: ferGUard*silver

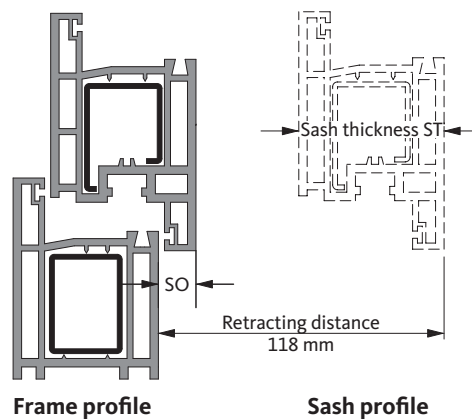
The hardware components are made of high-quality steel, zinc die cast and aluminium alloys.

All locking components of Tilt&Slide hardware come with ferGUard*silver surface sealing.

Abbreviations

| | |
|-----|------------------------|
| LC | locking cam |
| LH | left handed |
| PC | profile cylinder hole |
| PU | packing unit |
| RH | right handed |
| Sec | security hardware |
| SO | sash overlap thickness |
| SRH | sash rebate height |
| SRW | sash rebate width |
| ST | sash thickness |

System sketch "retracting distance"



Max. sash thickness ST

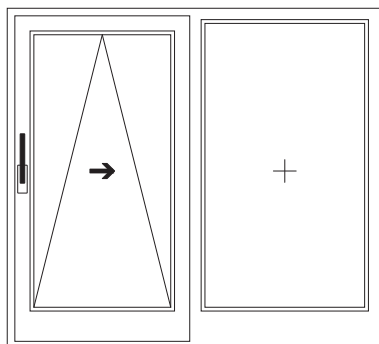
| | |
|--------------------------------|--|
| Side element as fixed glazing | = 115 mm |
| Side element as Turn-Only sash | = 115 mm minus sash overlap thickness SO |

Product information of profile system manufacturers

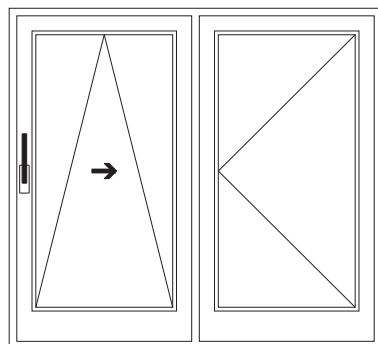
The product guidelines of the profile manufacturers regarding construction, assembly, max. sash dimensions, max. sash weights and material qualities (e.g. linear expansion) are to be observed.



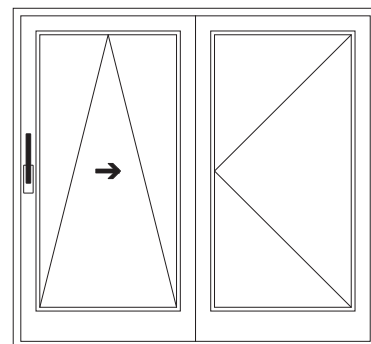
Sash configuration according to patterns A to K



Pattern A – with fixed mullion
1 Tilt&Slide sash, 1 fixed glazing
Fig. shows LH handle

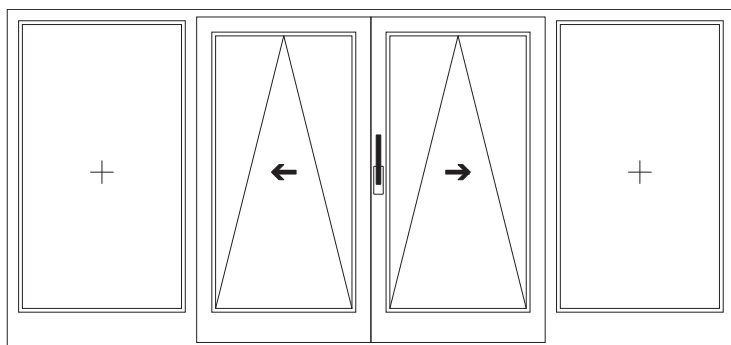


Pattern A – with fixed mullion [1]
1 Tilt&Slide sash, 1 Turn-Only sash
Fig. shows LH handle

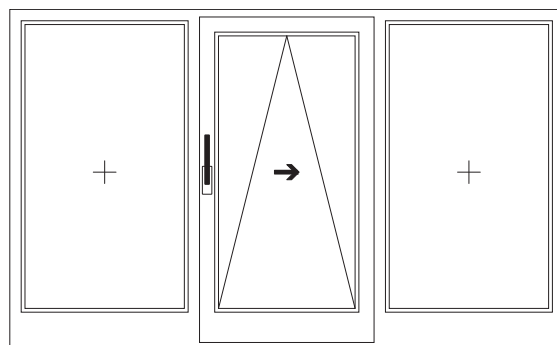


Pattern D – w/o fixed mullion [2]
1 Tilt&Slide sash, 1 Turn-Only sash
Fig. shows LH handle

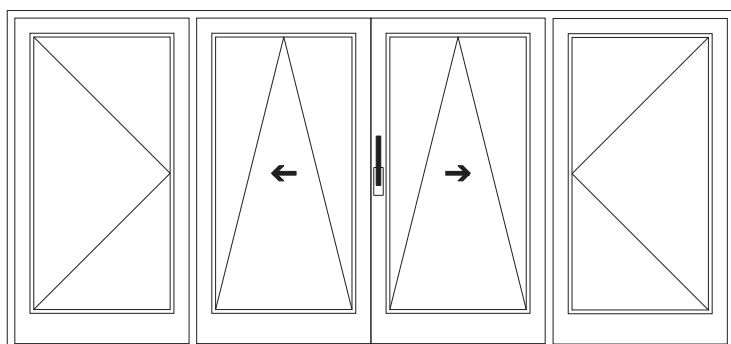
B



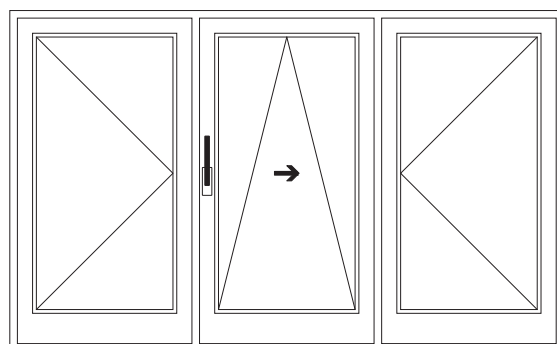
Pattern C – with two fixed mullions
2 Tilt&Slide sashes, 2 fixed glazings
Fig. shows first opening sash with LH handle



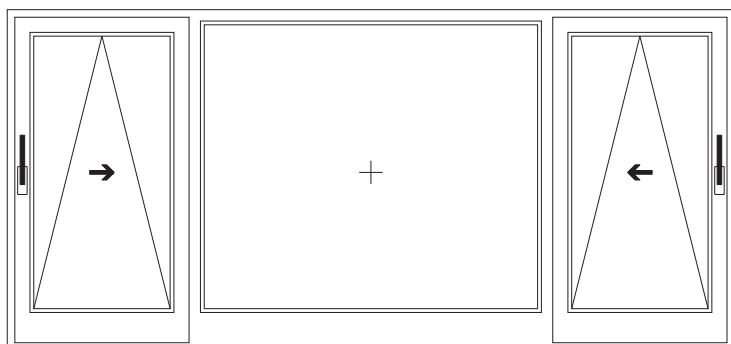
Pattern G – with two fixed mullions
1 Tilt&Slide sash, 2 fixed glazings
Fig. shows LH handle



Pattern C – with two fixed mullions[1]
2 Tilt&Slide sashes, 2 Turn-Only sashes
Fig. shows first opening sash with LH handle



Pattern G – with two fixed mullions[1]
1 Tilt&Slide sash, 2 Turn-only sashes
Fig. shows LH handle



Pattern K – with two fixed mullions
2 Tilt&Slide sashes, 1 fixed glazing
Fig. shows LH and RH handle

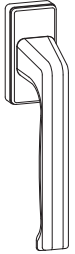
Legend:

[1] Patterns A, C and G with Turn-Only sash:
UNI-JET Turn-Only hardware with
DIRIGENT-F/SG service handle
(8-00694-33-0-*) and F-rosette/inside, flat
(6-24913-00-0-*), strikers depending on profile

[2] Pattern D:
Turn-Only sash with UNI-JET lever-operated
gear, strikers depending on profile



DIRIGENT-F turn handles [1]



DIRIGENT-F
Spindle 29 6-28072-29-0-*
Spindle 33 6-28072-33-0-*



DIRIGENT-F/Z
Push lock,
keyed alike
Spindle 29 6-28075-29-0-*
Spindle 33 6-28075-33-0-*



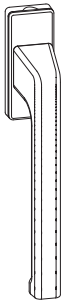
MODENA-F/Z 100 Nm [2]
for burglar-inhibiting
windows and balcony-doors
Spindle 29 6-34397-29-0-*
Spindle 33 6-34397-33-0-*



DIRIGENT-F/SG
Spindle 50
8-00694-50-0-7



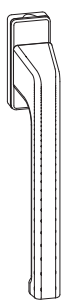
F/I rosette - flat
6-24913-00-0-*



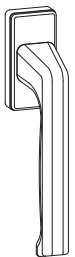
DIRIGENT-HL
with elongated handle
Rosette 32 x 81 mm
Spindle 29 6-31382-29-0-*
Spindle 33 6-31382-33-0-*



DIRIGENT-HL
with elongated handle
Rosette 32 x 81 mm
Push lock
Spindle 30 6-31383-30-0-*
Spindle 33 6-31383-33-0-*



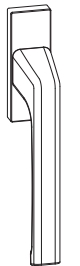
DIRIGENT-HL
with elongated handle
Rosette 28 x 67 mm
Spindle 33 6-32629-33-0-*



DIRIGENT-F
inside - without spindle
6-28072-00-0-*



DIRIGENT-F/AF,
outside - flat
6-25223-00-0-*



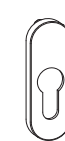
DIRIGENT-F/A,
outside
6-25993-00-0-*



Square spindle
ST 56-68 9-26874-56-0-1
ST 69-80 9-26874-69-0-1



PC/I rosette (inside)
square K-17205-02-0-*
rounded K-17204-02-0-*



PC/O rosette (outside)
square 9-43605-02-0-*
rounded 9-43582-02-0-*



For actuation from both sides
Countersunk screw M 5
ST 50-54 9-13255-60-0-1
ST 55-59 9-13255-65-0-1
ST 60-64 9-13255-70-0-1
ST 65-69 9-13255-75-0-1
ST 70-74 9-13255-80-0-1
ST 75-80 9-13255-85-0-1



For inside actuation
Countersunk screw M 5
Spindle 29 9-13255-35-0-1
Spindle 33 9-13255-40-0-1



Night lock
Backsets 25 - 50 mm
K-13282-00-0-*



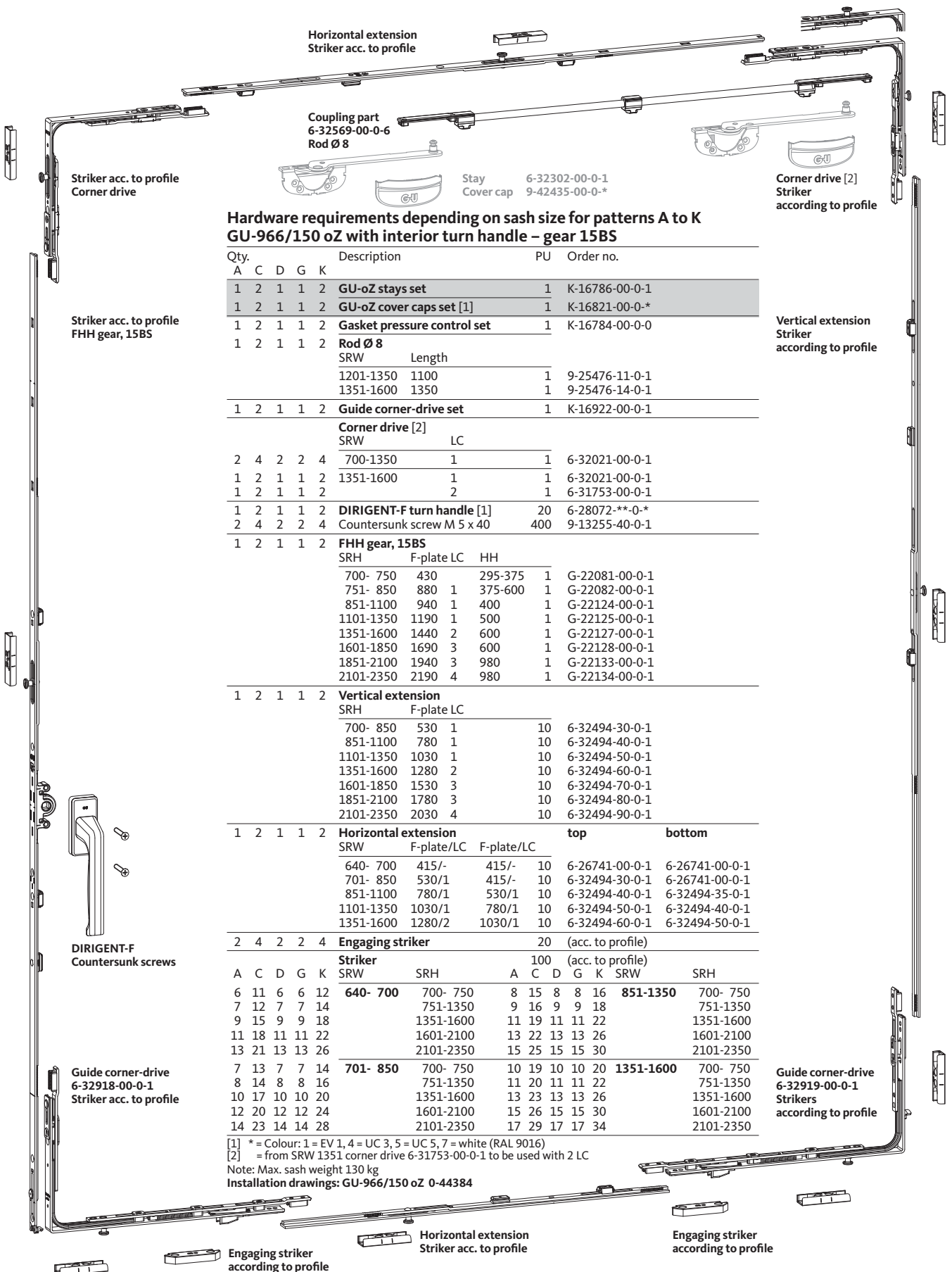
Fixed pull, outside
9-22921-00-0-*

[1] = For more turn handles and accessories refer to catalogue section T.

[2] = Tested against tearing and twisting at 100 Nm in accordance with EN 1627:2011.

GU-966/150 oZ Tilt&Slide locking system

Turn handle inside – gear 15BS, 9 and 13 mm axis



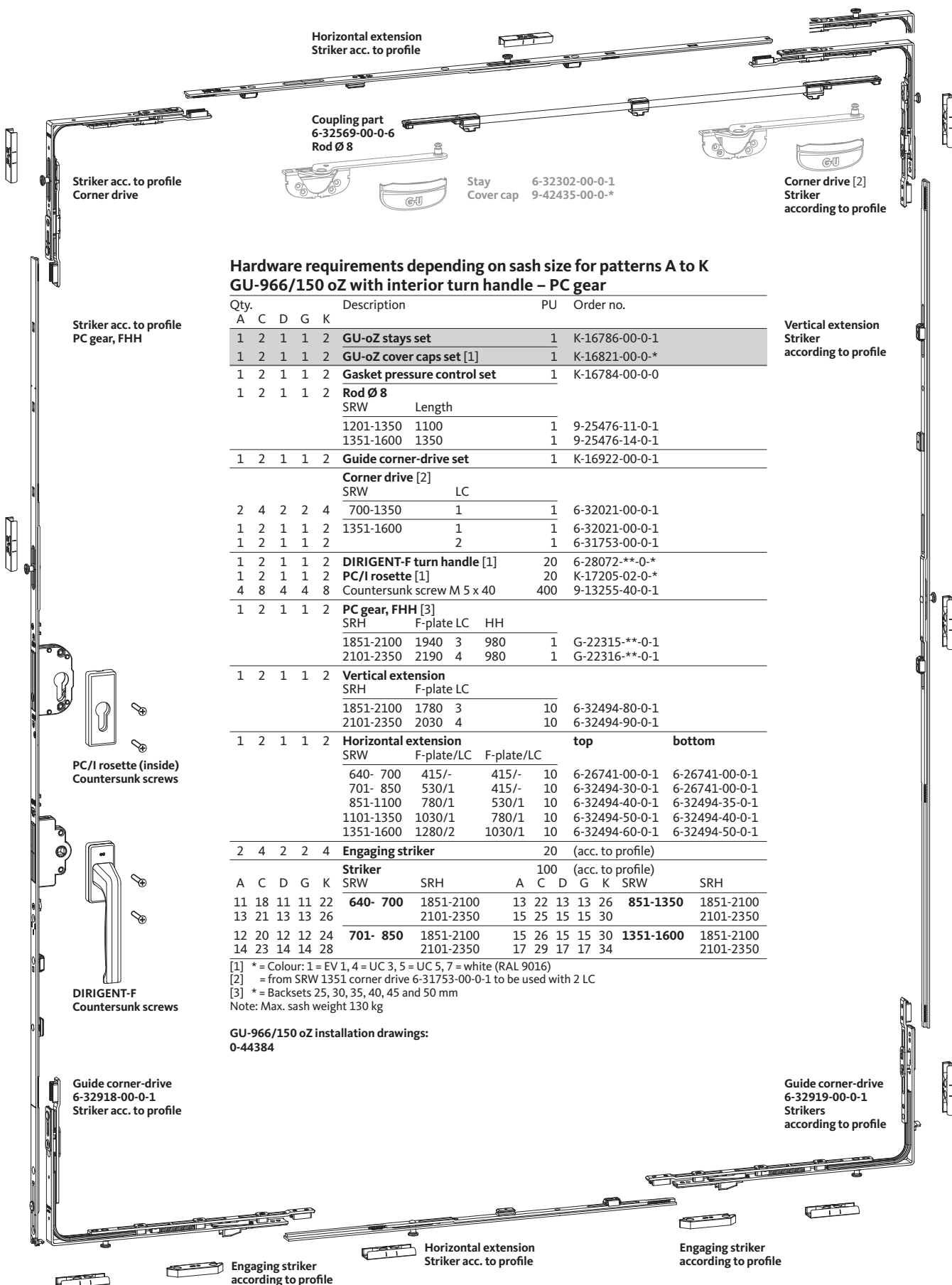
Hardware requirements depending on sash size for patterns A to K GU-966/150 oZ with interior turn handle – gear 15BS

| Qty. | Description | | | | | PU | Order no. | | | | | | |
|------|-------------|----|----|----|---|-----------|-------------------|----------------|----|----|----|------------------|-----------|
| A | C | D | G | K | | | | | | | | | |
| 1 | 2 | 1 | 1 | 2 | GU-oZ stays set | 1 | K-16786-00-0-1 | | | | | | |
| 1 | 2 | 1 | 1 | 2 | GU-oZ cover caps set [1] | 1 | K-16821-00-0-* | | | | | | |
| 1 | 2 | 1 | 1 | 2 | Gasket pressure control set | 1 | K-16784-00-0-0 | | | | | | |
| 1 | 2 | 1 | 1 | 2 | Rod Ø 8 | | | | | | | | |
| | | | | | SRW Length | | | | | | | | |
| | | | | | 1201-1350 1100 | 1 | 9-25476-11-0-1 | | | | | | |
| | | | | | 1351-1600 1350 | 1 | 9-25476-14-0-1 | | | | | | |
| 1 | 2 | 1 | 1 | 2 | Guide corner-drive set | 1 | K-16922-00-0-1 | | | | | | |
| | | | | | Corner drive [2] | | | | | | | | |
| | | | | | SRW LC | | | | | | | | |
| 2 | 4 | 2 | 2 | 4 | 700-1350 1 | 1 | 6-32021-00-0-1 | | | | | | |
| 1 | 2 | 1 | 1 | 2 | 1351-1600 1 | 1 | 6-32021-00-0-1 | | | | | | |
| 1 | 2 | 1 | 1 | 2 | 2 | 1 | 6-31753-00-0-1 | | | | | | |
| 1 | 2 | 1 | 1 | 2 | DIRIGENT-F turn handle [1] | 20 | 6-28072-**-0-* | | | | | | |
| 2 | 4 | 2 | 2 | 4 | Countersunk screw M 5 x 40 | 400 | 9-13255-40-0-1 | | | | | | |
| 1 | 2 | 1 | 1 | 2 | FHH gear, 15BS | | | | | | | | |
| | | | | | SRH F-plate LC HH | | | | | | | | |
| | | | | | 700- 750 430 295-375 | 1 | G-22081-00-0-1 | | | | | | |
| | | | | | 751- 850 880 1 375-600 | 1 | G-22082-00-0-1 | | | | | | |
| | | | | | 851-1100 940 1 400 | 1 | G-22124-00-0-1 | | | | | | |
| | | | | | 1101-1350 1190 1 500 | 1 | G-22125-00-0-1 | | | | | | |
| | | | | | 1351-1600 1440 2 600 | 1 | G-22127-00-0-1 | | | | | | |
| | | | | | 1601-1850 1690 3 600 | 1 | G-22128-00-0-1 | | | | | | |
| | | | | | 1851-2100 1940 3 980 | 1 | G-22133-00-0-1 | | | | | | |
| | | | | | 2101-2350 2190 4 980 | 1 | G-22134-00-0-1 | | | | | | |
| 1 | 2 | 1 | 1 | 2 | Vertical extension | | | | | | | | |
| | | | | | SRH F-plate LC | | | | | | | | |
| | | | | | 700- 850 530 1 | 10 | 6-32494-30-0-1 | | | | | | |
| | | | | | 851-1100 780 1 | 10 | 6-32494-40-0-1 | | | | | | |
| | | | | | 1101-1350 1030 1 | 10 | 6-32494-50-0-1 | | | | | | |
| | | | | | 1351-1600 1280 2 | 10 | 6-32494-60-0-1 | | | | | | |
| | | | | | 1601-1850 1530 3 | 10 | 6-32494-70-0-1 | | | | | | |
| | | | | | 1851-2100 1780 3 | 10 | 6-32494-80-0-1 | | | | | | |
| | | | | | 2101-2350 2030 4 | 10 | 6-32494-90-0-1 | | | | | | |
| 1 | 2 | 1 | 1 | 2 | Horizontal extension | | | | | | | | |
| | | | | | SRW F-plate/LC F-plate/LC | | | | | | | | |
| | | | | | 640- 700 415/- 415/- | 10 | 6-26741-00-0-1 | 6-26741-00-0-1 | | | | | |
| | | | | | 701- 850 530/1 415/- | 10 | 6-32494-30-0-1 | 6-26741-00-0-1 | | | | | |
| | | | | | 851-1100 780/1 530/1 | 10 | 6-32494-40-0-1 | 6-32494-35-0-1 | | | | | |
| | | | | | 1101-1350 1030/1 780/1 | 10 | 6-32494-50-0-1 | 6-32494-40-0-1 | | | | | |
| | | | | | 1351-1600 1280/2 1030/1 | 10 | 6-32494-60-0-1 | 6-32494-50-0-1 | | | | | |
| 2 | 4 | 2 | 2 | 4 | Engaging striker | 20 | (acc. to profile) | | | | | | |
| | | | | | Striker | 100 | (acc. to profile) | | | | | | |
| | | | | | SRW SRH A C D G K SRW SRH | | | | | | | | |
| 6 | 11 | 6 | 6 | 12 | 640- 700 | 700- 750 | 8 | 15 | 8 | 8 | 16 | 851-1350 | 700- 750 |
| 7 | 12 | 7 | 7 | 14 | | 751-1350 | 9 | 16 | 9 | 9 | 18 | | 751-1350 |
| 9 | 15 | 9 | 9 | 18 | | 1351-1600 | 11 | 19 | 11 | 11 | 22 | | 1351-1600 |
| 11 | 18 | 11 | 11 | 22 | | 1601-2100 | 13 | 22 | 13 | 13 | 26 | | 1601-2100 |
| 13 | 21 | 13 | 13 | 26 | | 2101-2350 | 15 | 25 | 15 | 15 | 30 | | 2101-2350 |
| 7 | 13 | 7 | 7 | 14 | 701- 850 | 700- 750 | 10 | 19 | 10 | 10 | 20 | 1351-1600 | 700- 750 |
| 8 | 14 | 8 | 8 | 16 | | 751-1350 | 11 | 20 | 11 | 11 | 22 | | 751-1350 |
| 10 | 17 | 10 | 10 | 20 | | 1351-1600 | 13 | 23 | 13 | 13 | 26 | | 1351-1600 |
| 12 | 20 | 12 | 12 | 24 | | 1601-2100 | 15 | 26 | 15 | 15 | 30 | | 1601-2100 |
| 14 | 23 | 14 | 14 | 28 | | 2101-2350 | 17 | 29 | 17 | 17 | 34 | | 2101-2350 |

[1] * = Colour: 1 = EV 1, 4 = UC 3, 5 = UC 5, 7 = white (RAL 9016)
 [2] = from SRW 1351 corner drive 6-31753-00-0-1 to be used with 2 LC
 Note: Max. sash weight 130 kg
 Installation drawings: GU-966/150 oZ 0-44384

GU-966/150 oZ Tilt&Slide locking system

Turn handle inside – PC gear (lockable), 9 and 13 mm axis



Hardware requirements depending on sash size for patterns A to K GU-966/150 oZ with interior turn handle – PC gear

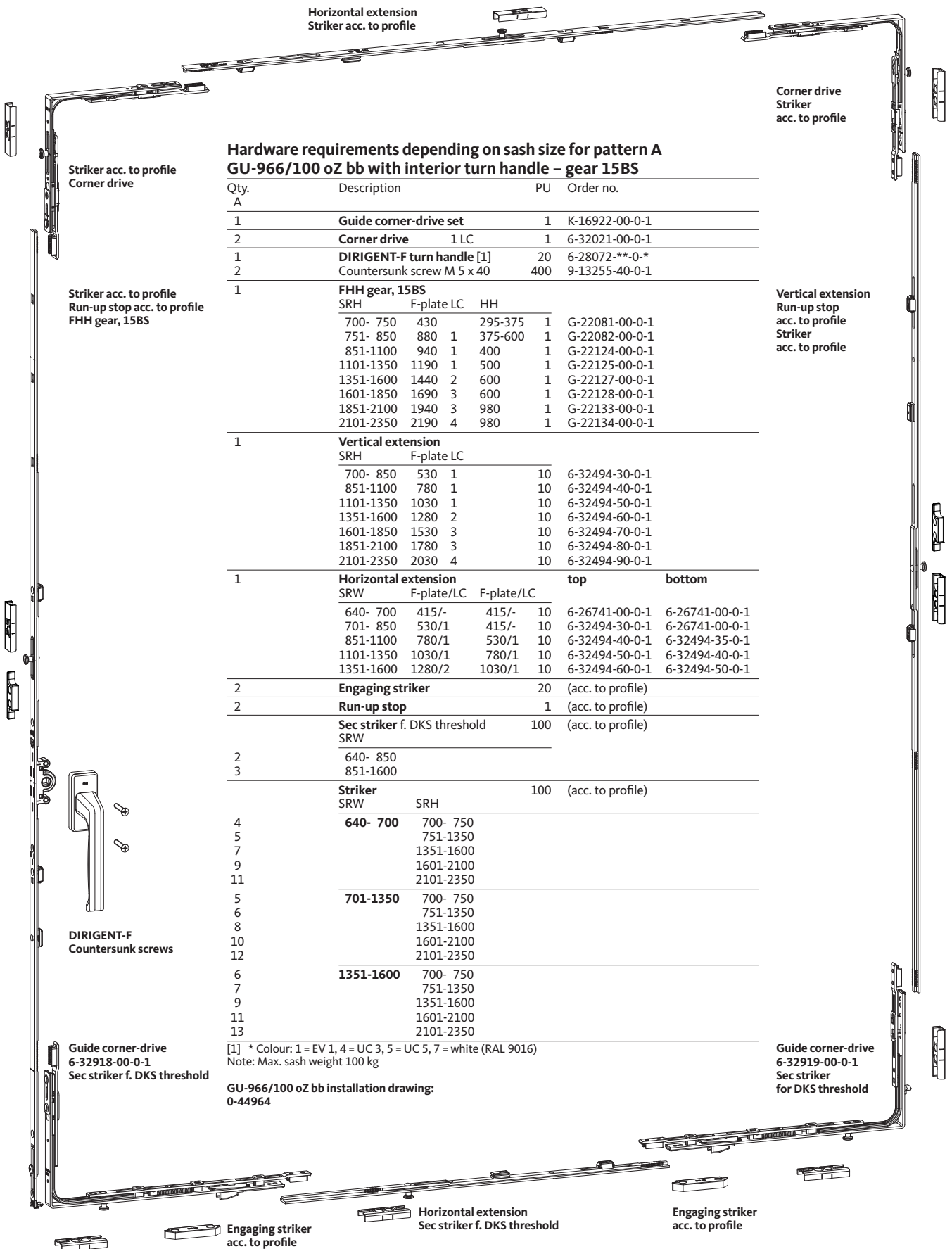
| Qty. | Description | | | | | PU | Order no. | | |
|------|-------------|----|----|----|---|----------------|-------------------|------------------|-----------|
| A | C | D | G | K | | | | | |
| 1 | 2 | 1 | 1 | 2 | GU-oZ stays set | 1 | K-16786-00-0-1 | | |
| 1 | 2 | 1 | 1 | 2 | GU-oZ cover caps set [1] | 1 | K-16821-00-0-* | | |
| 1 | 2 | 1 | 1 | 2 | Gasket pressure control set | 1 | K-16784-00-0-0 | | |
| 1 | 2 | 1 | 1 | 2 | Rod Ø 8 | | | | |
| | | | | | SRW Length | | | | |
| | | | | | 1201-1350 1100 | 1 | 9-25476-11-0-1 | | |
| | | | | | 1351-1600 1350 | 1 | 9-25476-14-0-1 | | |
| 1 | 2 | 1 | 1 | 2 | Guide corner-drive set | 1 | K-16922-00-0-1 | | |
| | | | | | Corner drive [2] | | | | |
| | | | | | SRW LC | | | | |
| 2 | 4 | 2 | 2 | 4 | 700-1350 | 1 | 6-32021-00-0-1 | | |
| 1 | 2 | 1 | 1 | 2 | 1351-1600 | 1 | 6-32021-00-0-1 | | |
| 1 | 2 | 1 | 1 | 2 | | 2 | 6-31753-00-0-1 | | |
| 1 | 2 | 1 | 1 | 2 | DIRIGENT-F turn handle [1] | 20 | 6-28072-**-0-* | | |
| 1 | 2 | 1 | 1 | 2 | PC/I rosette [1] | 20 | K-17205-02-0-* | | |
| 4 | 8 | 4 | 4 | 8 | Countersunk screw M 5 x 40 | 400 | 9-13255-40-0-1 | | |
| 1 | 2 | 1 | 1 | 2 | PC gear, FHH [3] | | | | |
| | | | | | SRH F-plate LC HH | | | | |
| | | | | | 1851-2100 1940 3 980 | 1 | G-22315-**-0-1 | | |
| | | | | | 2101-2350 2190 4 980 | 1 | G-22316-**-0-1 | | |
| 1 | 2 | 1 | 1 | 2 | Vertical extension | | | | |
| | | | | | SRH F-plate LC | | | | |
| | | | | | 1851-2100 1780 3 | 10 | 6-32494-80-0-1 | | |
| | | | | | 2101-2350 2030 4 | 10 | 6-32494-90-0-1 | | |
| 1 | 2 | 1 | 1 | 2 | Horizontal extension | | | | |
| | | | | | SRW F-plate/LC F-plate/LC top bottom | | | | |
| | | | | | 640- 700 415/- 415/- 10 | 6-26741-00-0-1 | 6-26741-00-0-1 | | |
| | | | | | 701- 850 530/1 415/- 10 | 6-32494-30-0-1 | 6-26741-00-0-1 | | |
| | | | | | 851-1100 780/1 530/1 10 | 6-32494-40-0-1 | 6-32494-35-0-1 | | |
| | | | | | 1101-1350 1030/1 780/1 10 | 6-32494-50-0-1 | 6-32494-40-0-1 | | |
| | | | | | 1351-1600 1280/2 1030/1 10 | 6-32494-60-0-1 | 6-32494-50-0-1 | | |
| 2 | 4 | 2 | 2 | 4 | Engaging striker | 20 | (acc. to profile) | | |
| | | | | | Striker | 100 | (acc. to profile) | | |
| | | | | | SRW SRH A C D G K SRW SRH | | | | |
| 11 | 18 | 11 | 11 | 22 | 640- 700 | 1851-2100 | 13 22 13 13 26 | 851-1350 | 1851-2100 |
| 13 | 21 | 13 | 13 | 26 | | 2101-2350 | 15 25 15 15 30 | | 2101-2350 |
| 12 | 20 | 12 | 12 | 24 | 701- 850 | 1851-2100 | 15 26 15 15 30 | 1351-1600 | 1851-2100 |
| 14 | 23 | 14 | 14 | 28 | | 2101-2350 | 17 29 17 17 34 | | 2101-2350 |

[1] * = Colour: 1 = EV 1, 4 = UC 3, 5 = UC 5, 7 = white (RAL 9016)
 [2] = from SRW 1351 corner drive 6-31753-00-0-1 to be used with 2 LC
 [3] * = Backsets 25, 30, 35, 40, 45 and 50 mm
 Note: Max. sash weight 130 kg

GU-966/150 oZ installation drawings:
0-44384

GU-966/100 oZ bb Tilt&Slide locking system

Turn handle inside – gear 15BS, 9 and 13 mm axis



Hardware requirements depending on sash size for pattern A GU-966/100 oZ bb with interior turn handle – gear 15BS

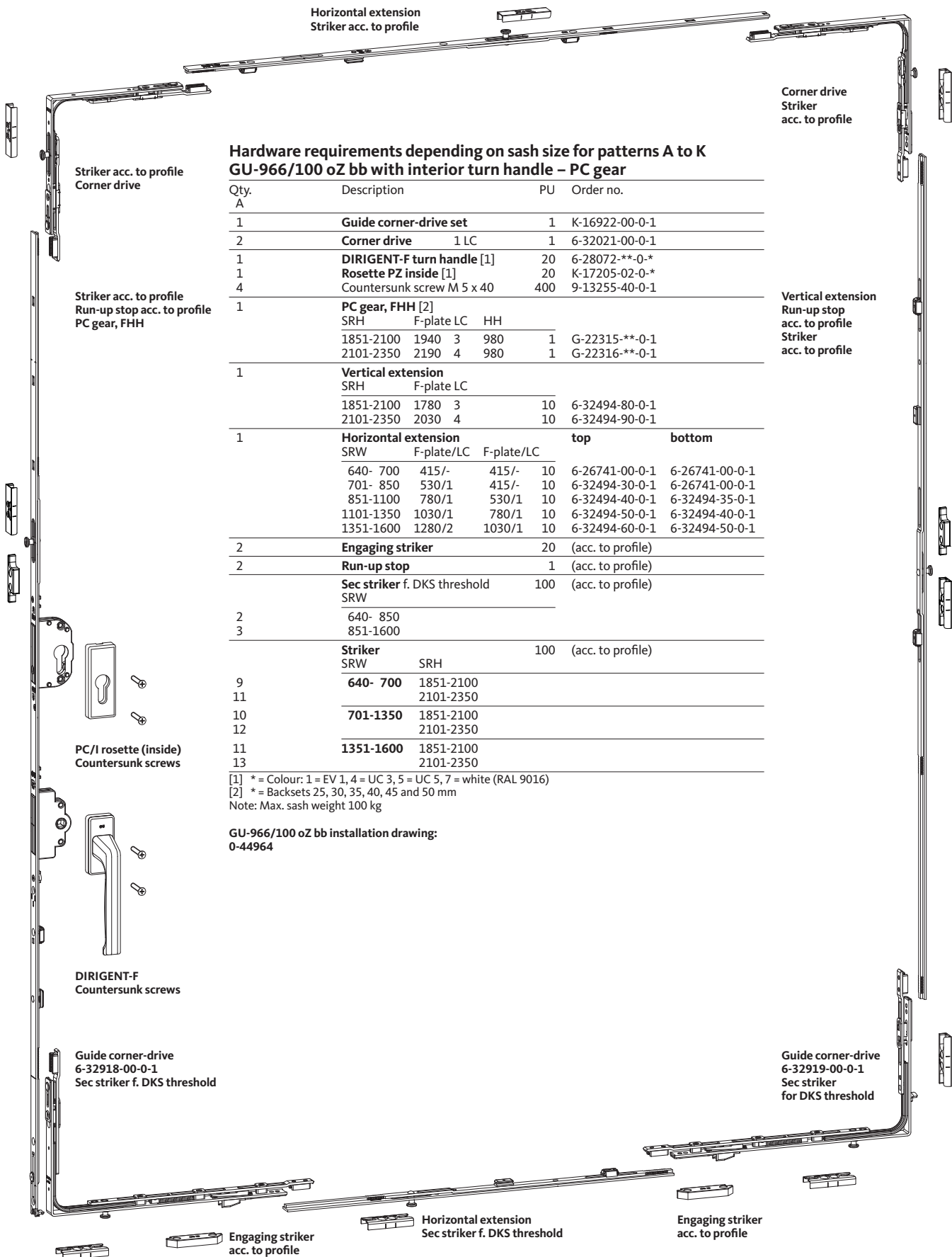
| Qty. A | Description | PU | Order no. |
|-----------|-------------------------------------|-----|-------------------------------|
| 1 | Guide corner-drive set | 1 | K-16922-00-0-1 |
| 2 | Corner drive 1 LC | 1 | 6-32021-00-0-1 |
| 1 | DIRIGENT-F turn handle [1] | 20 | 6-28072-**-0-* |
| 2 | Countersunk screw M 5 x 40 | 400 | 9-13255-40-0-1 |
| 1 | FHH gear, 15BS | | |
| | SRH F-plate LC HH | | |
| | 700- 750 430 295-375 | 1 | G-22081-00-0-1 |
| | 751- 850 880 1 375-600 | 1 | G-22082-00-0-1 |
| | 851-1100 940 1 400 | 1 | G-22124-00-0-1 |
| | 1101-1350 1190 1 500 | 1 | G-22125-00-0-1 |
| | 1351-1600 1440 2 600 | 1 | G-22127-00-0-1 |
| | 1601-1850 1690 3 600 | 1 | G-22128-00-0-1 |
| | 1851-2100 1940 3 980 | 1 | G-22133-00-0-1 |
| | 2101-2350 2190 4 980 | 1 | G-22134-00-0-1 |
| 1 | Vertical extension | | |
| | SRH F-plate LC | | |
| | 700- 850 530 1 | 10 | 6-32494-30-0-1 |
| | 851-1100 780 1 | 10 | 6-32494-40-0-1 |
| | 1101-1350 1030 1 | 10 | 6-32494-50-0-1 |
| | 1351-1600 1280 2 | 10 | 6-32494-60-0-1 |
| | 1601-1850 1530 3 | 10 | 6-32494-70-0-1 |
| | 1851-2100 1780 3 | 10 | 6-32494-80-0-1 |
| | 2101-2350 2030 4 | 10 | 6-32494-90-0-1 |
| 1 | Horizontal extension | | |
| | SRW F-plate/LC F-plate/LC | | |
| | 640- 700 415/- 415/- | 10 | 6-26741-00-0-1 6-26741-00-0-1 |
| | 701- 850 530/1 415/- | 10 | 6-32494-30-0-1 6-26741-00-0-1 |
| | 851-1100 780/1 530/1 | 10 | 6-32494-40-0-1 6-32494-35-0-1 |
| | 1101-1350 1030/1 780/1 | 10 | 6-32494-50-0-1 6-32494-40-0-1 |
| | 1351-1600 1280/2 1030/1 | 10 | 6-32494-60-0-1 6-32494-50-0-1 |
| 2 | Engaging striker | 20 | (acc. to profile) |
| 2 | Run-up stop | 1 | (acc. to profile) |
| | Sec striker f. DKS threshold | 100 | (acc. to profile) |
| 2 | 640- 850 | | |
| 3 | 851-1600 | | |
| | Striker | 100 | (acc. to profile) |
| | SRW SRH | | |
| 4 | 640- 700 700- 750 | | |
| 5 | 751-1350 | | |
| 7 | 1351-1600 | | |
| 9 | 1601-2100 | | |
| 11 | 2101-2350 | | |
| 5 | 701-1350 700- 750 | | |
| 6 | 751-1350 | | |
| 8 | 1351-1600 | | |
| 10 | 1601-2100 | | |
| 12 | 2101-2350 | | |
| 6 | 1351-1600 700- 750 | | |
| 7 | 751-1350 | | |
| 9 | 1351-1600 | | |
| 11 | 1601-2100 | | |
| 13 | 2101-2350 | | |

[1] * Colour: 1 = EV 1, 4 = UC 3, 5 = UC 5, 7 = white (RAL 9016)
Note: Max. sash weight 100 kg

GU-966/100 oZ bb installation drawing:
0-44964

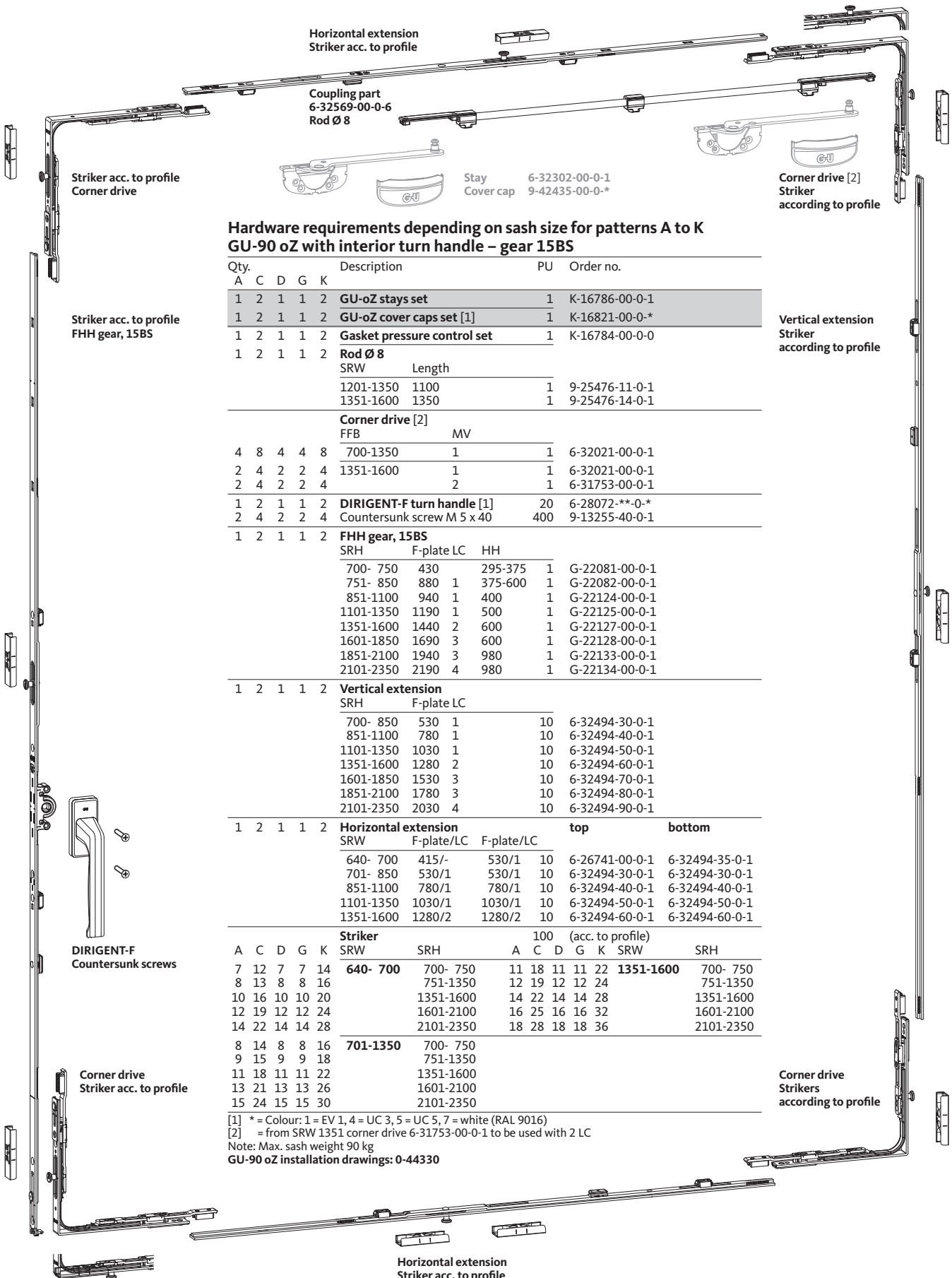
GU-966/100 oZ bb Tilt&Slide locking system

Turn handle inside – PC gear (lockable), 9 and 13 mm axis



GU-90 oZ Tilt&Slide locking system

Turn handle inside – gear 15BS, 9 and 13 mm axis



Hardware requirements depending on sash size for patterns A to K GU-90 oZ with interior turn handle – gear 15BS

| Qty. | Description | | | | | PU | Order no. | | | | |
|------|-------------|---|---|---|------------------------------------|-----------------|----------------------------|-------------------|------------------|-----------|-----|
| A | C | D | G | K | | | | | | | |
| 1 | 2 | 1 | 1 | 2 | GU-oZ stays set | 1 | K-16786-00-0-1 | | | | |
| 1 | 2 | 1 | 1 | 2 | GU-oZ cover caps set [1] | 1 | K-16821-00-0-* | | | | |
| 1 | 2 | 1 | 1 | 2 | Gasket pressure control set | 1 | K-16784-00-0-0 | | | | |
| 1 | 2 | 1 | 1 | 2 | Rod Ø 8 | | | | | | |
| | | | | | SRW | Length | | | | | |
| | | | | | 1201-1350 | 1100 | 1 9-25476-11-0-1 | | | | |
| | | | | | 1351-1600 | 1350 | 1 9-25476-14-0-1 | | | | |
| | | | | | Corner drive [2] | | | | | | |
| | | | | | FFB | MV | | | | | |
| 4 | 8 | 4 | 4 | 8 | 700-1350 | 1 | 1 6-32021-00-0-1 | | | | |
| 2 | 4 | 2 | 2 | 4 | 1351-1600 | 1 | 1 6-32021-00-0-1 | | | | |
| 2 | 4 | 2 | 2 | 4 | | 2 | 1 6-31753-00-0-1 | | | | |
| 1 | 2 | 1 | 1 | 2 | DIRIGENT-F turn handle [1] | 20 | 6-28072-**-0-* | | | | |
| 2 | 4 | 2 | 2 | 4 | Countersunk screw M 5 x 40 | 400 | 9-13255-40-0-1 | | | | |
| 1 | 2 | 1 | 1 | 2 | FHH gear, 15BS | | | | | | |
| | | | | | SRH | F-plate LC | HH | | | | |
| | | | | | 700- 750 | 430 | 295-375 1 G-22081-00-0-1 | | | | |
| | | | | | 751- 850 | 880 | 1 375-600 1 G-22082-00-0-1 | | | | |
| | | | | | 851-1100 | 940 | 1 400 1 G-22124-00-0-1 | | | | |
| | | | | | 1101-1350 | 1190 | 1 500 1 G-22125-00-0-1 | | | | |
| | | | | | 1351-1600 | 1440 | 2 600 1 G-22127-00-0-1 | | | | |
| | | | | | 1601-1850 | 1690 | 3 600 1 G-22128-00-0-1 | | | | |
| | | | | | 1851-2100 | 1940 | 3 980 1 G-22133-00-0-1 | | | | |
| | | | | | 2101-2350 | 2190 | 4 980 1 G-22134-00-0-1 | | | | |
| 1 | 2 | 1 | 1 | 2 | Vertical extension | | | | | | |
| | | | | | SRH | F-plate LC | | | | | |
| | | | | | 700- 850 | 530 | 1 10 6-32494-30-0-1 | | | | |
| | | | | | 851-1100 | 780 | 1 10 6-32494-40-0-1 | | | | |
| | | | | | 1101-1350 | 1030 | 1 10 6-32494-50-0-1 | | | | |
| | | | | | 1351-1600 | 1280 | 2 10 6-32494-60-0-1 | | | | |
| | | | | | 1601-1850 | 1530 | 3 10 6-32494-70-0-1 | | | | |
| | | | | | 1851-2100 | 1780 | 3 10 6-32494-80-0-1 | | | | |
| | | | | | 2101-2350 | 2030 | 4 10 6-32494-90-0-1 | | | | |
| 1 | 2 | 1 | 1 | 2 | Horizontal extension | | | | | | |
| | | | | | SRW | F-plate/LC | F-plate/LC | top | bottom | | |
| | | | | | 640- 700 | 415/- | 530/1 | 10 6-26741-00-0-1 | 6-32494-35-0-1 | | |
| | | | | | 701- 850 | 530/1 | 530/1 | 10 6-32494-30-0-1 | 6-32494-30-0-1 | | |
| | | | | | 851-1100 | 780/1 | 780/1 | 10 6-32494-40-0-1 | 6-32494-40-0-1 | | |
| | | | | | 1101-1350 | 1030/1 | 1030/1 | 10 6-32494-50-0-1 | 6-32494-50-0-1 | | |
| | | | | | 1351-1600 | 1280/2 | 1280/2 | 10 6-32494-60-0-1 | 6-32494-60-0-1 | | |
| | | | | | Striker | | 100 | (acc. to profile) | | | |
| | | | | | A | C | D | G | K | SRW | SRH |
| | | | | | 7 12 7 7 14 | 640- 700 | 700- 750 | 11 18 11 11 22 | 1351-1600 | 700- 750 | |
| | | | | | 8 13 8 8 16 | | 751-1350 | 12 19 12 12 24 | | 751-1350 | |
| | | | | | 10 16 10 10 20 | | 1351-1600 | 14 22 14 14 28 | | 1351-1600 | |
| | | | | | 12 19 12 12 24 | | 1601-2100 | 16 25 16 16 32 | | 1601-2100 | |
| | | | | | 14 22 14 14 28 | | 2101-2350 | 18 28 18 18 36 | | 2101-2350 | |
| | | | | | 8 14 8 8 16 | 701-1350 | 700- 750 | | | | |
| | | | | | 9 15 9 9 18 | | 751-1350 | | | | |
| | | | | | 11 18 11 11 22 | | 1351-1600 | | | | |
| | | | | | 13 21 13 13 26 | | 1601-2100 | | | | |
| | | | | | 15 24 15 15 30 | | 2101-2350 | | | | |

[1] * = Colour: 1 = EV 1, 4 = UC 3, 5 = UC 5, 7 = white (RAL 9016)

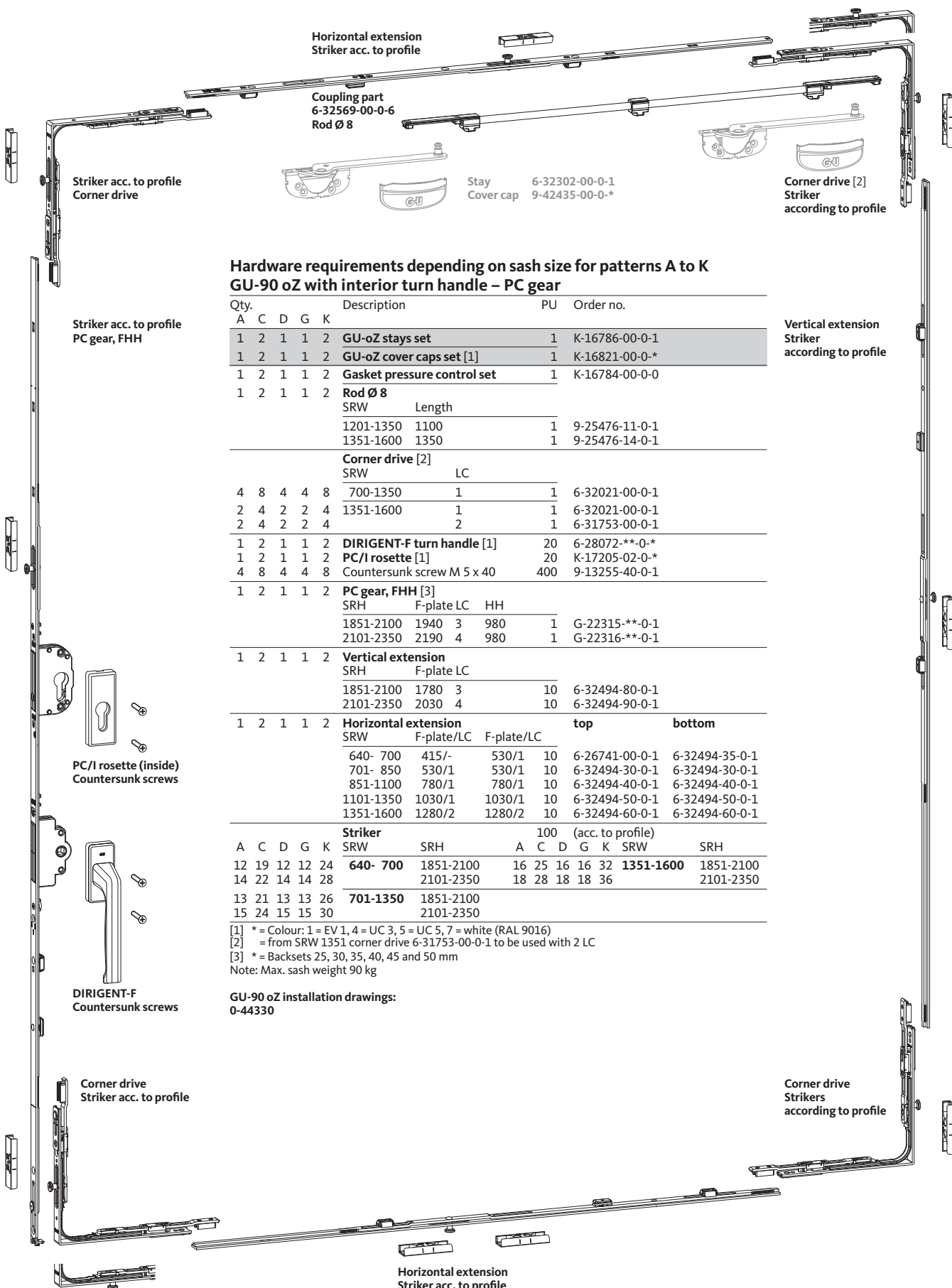
[2] = from SRW 1351 corner drive 6-31753-00-0-1 to be used with 2 LC

Note: Max. sash weight 90 kg

GU-90 oZ installation drawings: 0-44330

GU-90 oZ Tilt&Slide locking system

Turn handle inside – PC gear (lockable), 9 and 13 mm axis



Hardware requirements depending on sash size for patterns A to K GU-90 oZ with interior turn handle – PC gear

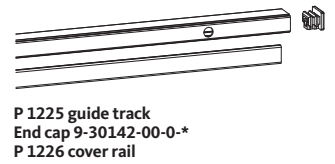
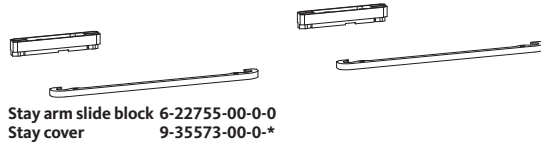
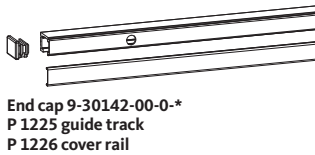
| Qty. | Description | | | | | PU | Order no. | | | | | | |
|------|-------------|----|----|----|------------------------------------|------------|------------------------|-------------------|-------------------|----|----|------------------|-----------|
| A | C | D | G | K | | | | | | | | | |
| 1 | 2 | 1 | 1 | 2 | GU-oZ stays set | 1 | K-16786-00-0-1 | | | | | | |
| 1 | 2 | 1 | 1 | 2 | GU-oZ cover caps set [1] | 1 | K-16821-00-0-* | | | | | | |
| 1 | 2 | 1 | 1 | 2 | Gasket pressure control set | 1 | K-16784-00-0-0 | | | | | | |
| 1 | 2 | 1 | 1 | 2 | Rod Ø 8 | | | | | | | | |
| | | | | | SRW | Length | | | | | | | |
| | | | | | 1201-1350 | 1100 | 1 9-25476-11-0-1 | | | | | | |
| | | | | | 1351-1600 | 1350 | 1 9-25476-14-0-1 | | | | | | |
| | | | | | Corner drive [2] | | | | | | | | |
| | | | | | SRW | LC | | | | | | | |
| 4 | 8 | 4 | 4 | 8 | 700-1350 | 1 | 1 6-32021-00-0-1 | | | | | | |
| 2 | 4 | 2 | 2 | 4 | 1351-1600 | 1 | 1 6-32021-00-0-1 | | | | | | |
| 2 | 4 | 2 | 2 | 4 | | 2 | 1 6-31753-00-0-1 | | | | | | |
| 1 | 2 | 1 | 1 | 2 | DIRIGENT-F turn handle [1] | 20 | 6-28072-**-0-* | | | | | | |
| 1 | 2 | 1 | 1 | 2 | PC/I rosette [1] | 20 | K-17205-02-0-* | | | | | | |
| 4 | 8 | 4 | 4 | 8 | Countersunk screw M 5 x 40 | 400 | 9-13255-40-0-1 | | | | | | |
| 1 | 2 | 1 | 1 | 2 | PC gear, FHH [3] | | | | | | | | |
| | | | | | SRH | F-plate LC | HH | | | | | | |
| | | | | | 1851-2100 | 1940 | 3 980 1 G-22315-**-0-1 | | | | | | |
| | | | | | 2101-2350 | 2190 | 4 980 1 G-22316-**-0-1 | | | | | | |
| 1 | 2 | 1 | 1 | 2 | Vertical extension | | | | | | | | |
| | | | | | SRH | F-plate LC | | | | | | | |
| | | | | | 1851-2100 | 1780 | 3 10 6-32494-80-0-1 | | | | | | |
| | | | | | 2101-2350 | 2030 | 4 10 6-32494-90-0-1 | | | | | | |
| 1 | 2 | 1 | 1 | 2 | Horizontal extension | | | | | | | | |
| | | | | | SRW | F-plate/LC | F-plate/LC | top | bottom | | | | |
| | | | | | 640- 700 | 415/- | 530/1 | 10 6-26741-00-0-1 | 6-32494-35-0-1 | | | | |
| | | | | | 701- 850 | 530/1 | 530/1 | 10 6-32494-30-0-1 | 6-32494-30-0-1 | | | | |
| | | | | | 851-1100 | 780/1 | 780/1 | 10 6-32494-40-0-1 | 6-32494-40-0-1 | | | | |
| | | | | | 1101-1350 | 1030/1 | 1030/1 | 10 6-32494-50-0-1 | 6-32494-50-0-1 | | | | |
| | | | | | 1351-1600 | 1280/2 | 1280/2 | 10 6-32494-60-0-1 | 6-32494-60-0-1 | | | | |
| | | | | | Striker | | | 100 | (acc. to profile) | | | | |
| A | C | D | G | K | SRW | SRH | A | C | D | G | K | SRW | SRH |
| 12 | 19 | 12 | 12 | 24 | 640- 700 | 1851-2100 | 16 | 25 | 16 | 16 | 32 | 1351-1600 | 1851-2100 |
| 14 | 22 | 14 | 14 | 28 | | 2101-2350 | 18 | 28 | 18 | 18 | 36 | | 2101-2350 |
| 13 | 21 | 13 | 13 | 26 | 701-1350 | 1851-2100 | | | | | | | |
| 15 | 24 | 15 | 15 | 30 | | 2101-2350 | | | | | | | |

[1] * = Colour: 1 = EV 1, 4 = UC 3, 5 = UC 5, 7 = white (RAL 9016)
 [2] = from SRW 1351 corner drive 6-31753-00-0-1 to be used with 2 LC
 [3] * = Backsets 25, 30, 35, 40, 45 and 50 mm
 Note: Max. sash weight 90 kg

GU-90 oZ installation drawings:
0-44330

GU-966/150 oZ bogies, profiles and accessories

Doors and windows with a sash width SW up to 1600 mm and a sash weight up to 150 kg



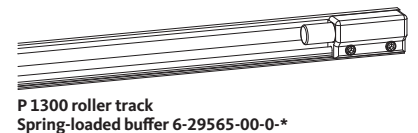
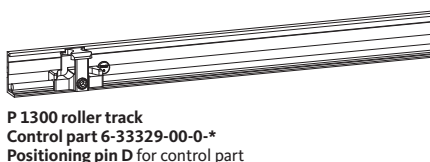
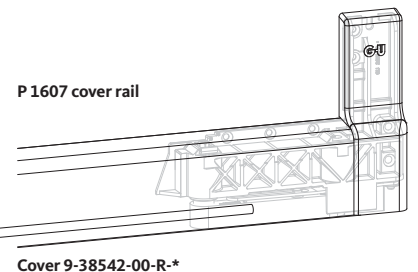
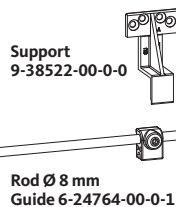
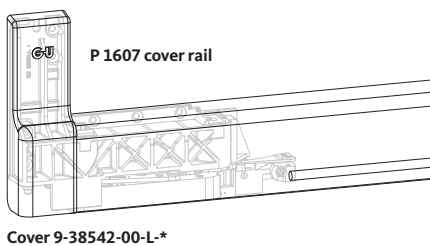
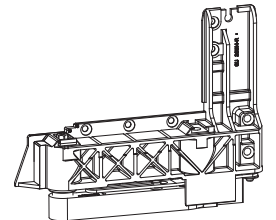
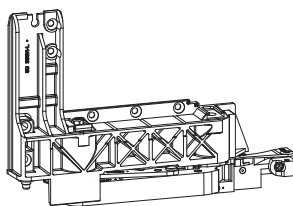
Hardware requirements depending on sash size for patterns A to K

| Qty. | Description | PU | Order no. | RH handle |
|---------------|---|----|----------------|----------------|
| A C D G K [2] | | | LH handle | |
| 1 2• 1 1 2• | GU-966/150 bogies set | 1 | K-15276-00-L-0 | K-15276-00-R-0 |
| | Contents | | | |
| | 1 front bogie | | | |
| | 1 rear bogie | | | |
| 1 | Positioning pin D for control part | 1 | 9-39897-00-0-1 | |
| 1 2 1 1 2 | GU-966/150 profiles set [1] | | | |
| | Contents | | | |
| | 1 rod Ø 8 mm | | | |
| | 1 P 1225 guide track | | | |
| | 1 P 1300 roller track | | | |
| | 1 P 1226 cover rail | | | |
| | 1 P 1607 cover rail | | | |
| | 1 accessories set | | | |
| | SRW | | | |
| | 640- 850 | 1 | K-15277-20-0* | |
| | 851-1100 | 1 | K-15277-25-0* | |
| | 1101-1350 | 1 | K-15277-30-0* | |
| | 1351-1600 | 1 | K-15277-35-0* | |

[1] * = Colour: 1 = EV 1, 5 = UC 5, 7 = white (RAL 9016)

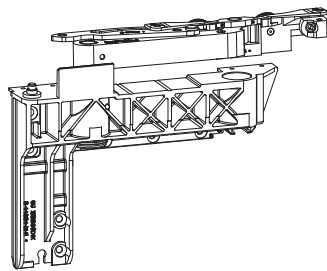
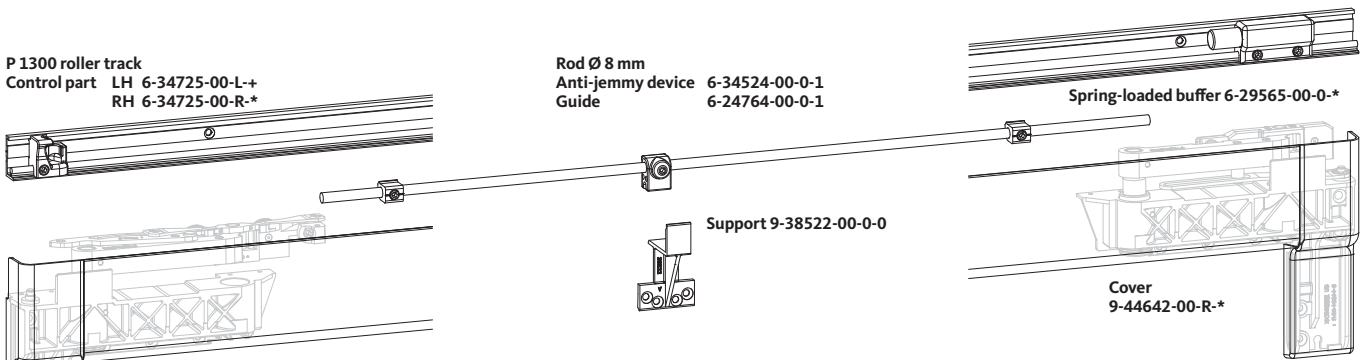
[2] • = 1 Box for handle pos. lh, 1 Box for handle pos. rh

Installation drawings
GU-966/150 mZ 0-43860
GU-966/150 oZ 0-44348



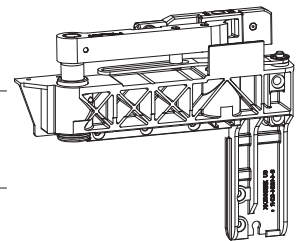
GU-966/100 oZ bb bogies, profiles and accessories

Doors and windows with a sash width SW up to 1600 mm and a sash weight up to 100 kg



Hardware requirements depending on sash size for pattern A

| Qty. | Description | PU | Order no. | LH handle | RH handle |
|------|---|----|----------------|----------------|-----------|
| 1 | GU-966/100 oZ bb bogies set Contents 1 top bogie - front / rear 1 bottom bogie - front / rear 2 anti-jemmy devices | 1 | K-17678-00-L-0 | K-17678-00-R-0 | |
| 1 | GU-966/100 oZ bb control parts set [1] Contents 1 buffer, 1 T&S / T&S bb control part 1 adapter for P 1771 | 1 | K-17679-00-L-* | K-17679-00-R-* | |
| 1 | GU-966/100 oZ bb profiles set [1] Contents 2 rods Ø 8 mm, 1 P 1300 roller track 1 P 1602 and P 1773 cover rail, each 1 P 1771 guide track, bottom 1 guide (not contained in size 25 profiles set) 1 support (not contained in size 25 profiles set) 1 Tilt&Slide bb accessories set | | | | |
| | SRW | | | | |
| | 640-1100 | 1 | K-17680-25-0-* | | |
| | 1101-1600 | 1 | K-17680-35-0-* | | |
| 1 | DKU drip rail [1] [2] | 25 | 9-42791-**-0-* | | |
| 1 | DKS 1.1.0 threshold , length 6000 alternatively: DKS 7.1.0 threshold , length 6000 | 5 | 6-32326-00-0-1 | | |
| 1 | DKH threshold-to-frame connector (pair) | 5 | H-01004-00-0-1 | | |
| | | | Axis 9 | Axis 13 | |
| 2 | Adapter for engaging striker | 1 | 9-43106-13-0-1 | 9-43106-13-0-1 | |
| | Adapter for striker | 1 | 9-43106-09-0-1 | 9-43106-13-0-1 | |
| | SRW | | | | |
| 2 | 640- 850 | | | | |
| 3 | 851-1600 | | | | |

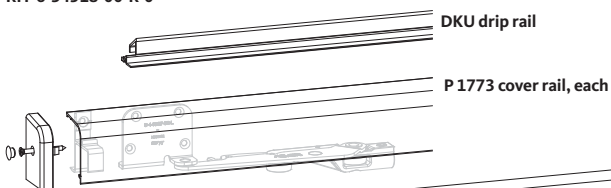


[1] * = Colour: 1 = EV 1, 5 = UC 5, 7 = white (RAL 9016)
[2] ** Size 00 = 1200 mm, size 24 = 2400 mm, size 48 = 4800 mm

Installation drawings
GU-966/100 mZ bb 0-44964



DKU drip rail



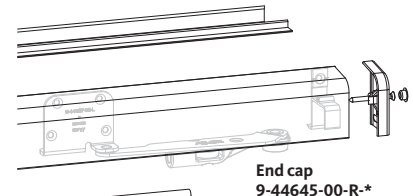
Cover cap 9-26687-00-0-*Countersunk screw 9-31151-20-R-1
End cap 9-44645-00-L-*

Adapter for engaging striker

Adapter for striker

DKH threshold-to-frame connector
DKS 1.1.0 threshold

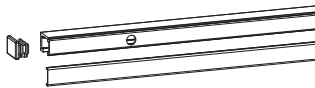
Support 9-44644-01-0-0
Rod Ø 8 mm



Adapter piece, P 1771 guide track
T&S bb control part 6-34741-00-L/R-*

GU-90 oZ bogies, profiles and accessories

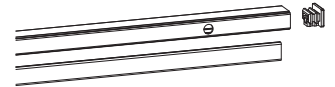
Doors and windows with a sash width SW up to 1600 mm and a sash weight up to 90 kg



End cap 9-30142-00-0*
P 1225 guide track
P 1226 cover rail



Stay arm slide block 6-22755-00-0-0



P 1225 guide track
End cap 9-30142-00-0*
P 1226 cover rail

Hardware requirements depending on sash size for patterns A to K

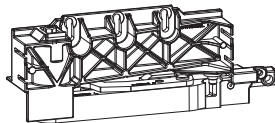
| Qty. | Description | PU | Order no. | RH handle |
|---------------|---|----|----------------|----------------|
| A C D G K [2] | | | LH handle | |
| 1 2• 1 1 2• | GU-90 bogies set Contents 1 front bogie 1 rear bogie | 1 | K-16656-00-L-0 | K-16656-00-R-0 |
| 1 | Positioning pin D for control part | 1 | 9-39897-00-0-1 | |
| 1 2 1 1 2 | GU-90 profiles set [1] [3] Contents 1 rod Ø 8 mm 1 P 1225 guide track 1 P 1300 roller track 1 P 1226 cover rail 1 P 1607 cover rail 1 accessories set | | | |
| | SRW | | | |
| | 640- 850 | 1 | K-16589-20-0* | |
| | 851-1100 | 1 | K-16589-25-0* | |
| | 1101-1350 | 1 | K-16589-30-0* | |
| | 1351-1600 | 1 | K-16589-35-0* | |

[1] * = Colour: 1 = EV 1, 5 = UC 5, 7 = white (RAL 9016)

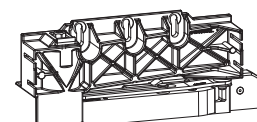
[2] • = 1 Box for handle pos. lh, 1 Box for handle pos. rh

[3] Sizes 20, 25 and 30 available on request

Installation drawings
GU-90 oZ 0-44330



Front bogie LH 6-32546-00-L-0
RH 6-32546-00-R-0



Rear bogie LH 6-31759-00-L-0
RH 6-31759-00-R-0

P 1607 cover rail

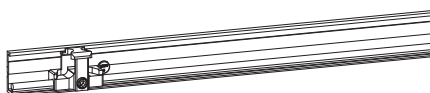
Support
9-38522-00-0-0

Rod Ø 8 mm
Guide 6-24764-00-0-1

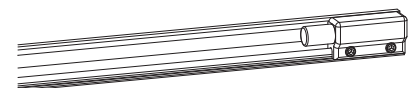
P 1607 cover rail

Adapter sleeve 9-41597-01-0-6
End cap 9-41958-00-R-*
ABC-Spax screw H-00109-20-0-3
Cover cap 9-26687-00-0-*

Cover cap 9-26687-00-0-*
ABC-Spax screw H-00109-20-0-3
End cap 9-41958-00-L-*
Adapter sleeve 9-41597-01-0-6



P 1300 roller track
Control part 6-33329-00-0-*
Positioning pin D for control part



P 1300 roller track
Spring-loaded buffer 6-29565-00-0-*



GU-966/150 oZ, GU-966/100 oZ bb, GU-90 oZ

| Application | Description | PU | Order no. |
|---|--|----|----------------|
| Assembly of turn handles | Drilling jig for turn handle | 1 | 6-22459-00-0-1 |
| | Stop for drilling jig 6-22459 | 1 | 9-27406-00-0-1 |
| Assembly of bogies, stays, guide track and roller track | Drilling jig for bogies and support | 1 | 9-30424-00-0-0 |
| | Drilling jig for guide track and roller track | 1 | 6-23616-00-0-1 |
| | Drilling jig for lockable gear | 1 | 6-25155-00-0-9 |
| | Drilling jig for positioning pin | 1 | 6-30447-00-0-0 |
| | Positioning jig for guide track | 1 | 6-23246-00-0-0 |
| | Positioning jig for roller track | 1 | 6-23241-00-0-0 |
| Assembly of strikers and engaging strikers | Drilling jig for corner drive strikers and engaging strikers | 1 | 6-24859-00-0-0 |
| | Drilling jig for strikers 9-30146 | | |
| | SRH 851-1850 | 1 | 6-24750-02-0-0 |
| | SRH 1851-2350 | 1 | 6-24750-03-0-0 |
| Assembly of strikers and engaging strikers GU-966/150 oZ | Drilling jig for strikers 9-30147 | | on request |
| | Drilling jig for corner drive strikers and engaging strikers | | |
| | Length 42 mm | 1 | 6-33007-01-0-0 |
| GU-966/150 oZ | Length 55 mm | 1 | 6-33007-03-0-0 |
| | Positioning jig for strikers and anti-jemmy device | | |
| GU-90 oZ | Extension, bottom | 1 | 6-33007-05-0-0 |
| | Positioning jig for strikers | | |
| Assembly of strikers | Extension, bottom | 1 | 6-33007-04-0-0 |
| | 1 set of positioning jigs for strikers, fixed handle height | | |
| | 55 mm striker length | 1 | 6-32644-00-0-0 |
| | 1 set of positioning jigs for strikers, variable handle height | | |
| | 55 mm striker length | 1 | 6-32645-00-0-0 |

Tilt&Slide hardware

Strikers and engaging strikers according to profile system



PVC profile systems for windows and balcony-doors

GU-oZ bb

| Profile systems | Sash | Frame | Mullion | Dummy mullion | Axis mm | Standard drawing | Engaging striker DKS threshold | Adapter piece for engaging striker Threshold | Striker DKS threshold | Adapter piece for striker Threshold |
|-----------------|------|-------|---------|---------------|---------|------------------|--------------------------------|--|-----------------------|-------------------------------------|
| | | | | | | | PU 1 | PU 1 | PU 100 | PU 1 |
| All PVC systems | | | | | 9 | | 9-44573-00-0-1 | | 6-32207-18-0-1 | 9-43106-09-0-1 |
| All PVC systems | | | | | 13 | | 9-44572-00-0-1 | 9-43106-13-0-1 | 6-32584-00-0-1 | 9-43106-13-0-1 |

PVC profile systems for windows and balcony-doors

GU-oZ, GU-oZ bb

GU-oZ bb

GU-oZ, GU-oZ bb

| Profile systems | Sash | Frame | Mullion | Dummy mullion | Axis mm | Standard drawing | Engaging striker | Striker Frame | Sec striker (steel) Frame | "Ahs" Striker (zinc) Frame | Run-up plate Frame | Handle lockable both sides | | inside | | |
|-------------------------|----------|----------|----------|---------------|---------|------------------|------------------|----------------|---------------------------|----------------------------|--------------------|----------------------------|----|--------|----|---|
| | | | | | | | PU 20 | PU 100 | PU 100 | PU 100 | PU 1 | 30 | 40 | 30 | 40 | |
| Accord | 503002 | 503001 | 503003 | | 9.0 | 0-40164-2 | 9-29990-01-0-1 | 9-34325-00-0-1 | | | | | | | | |
| Accord | 503602 | 503601 | 503603 | 503604 | 9.0 | 0-41489-2 | 9-29990-01-0-1 | 9-34325-00-0-1 | | | | | | | | |
| Accord Contour 7.0 MD | A.FL 02 | A.RA 03 | | A.KA 01 | 13.0 | 0-43576-2 | 9-38625-00-0-1 | 9-38620-00-0-1 | 6-27831-05-0-1 | 9-39847-00-0-1 | 9-40472-00-0-1 | | | | | |
| Actual 500 | P 1515 | P 1501 | P 1510 | | 9.0 | 0-43049-2 | 9-29990-12-0-1 | 9-34542-00-0-1 | | | | | | | | |
| Actual A 600 | | | | | 13.0 | | 9-29990-17-0-1 | 9-39614-00-0-1 | 6-27831-26-0-1 | | | | | | | |
| Alphacan Esthea | 53/05 | 53/45 | 53/36 | | 13.0 | 0-43051-2 | E-18427-00-0-1 | E-18104-00-0-1 | | | | | | | | |
| Alphacan Esthetis | PL 53-15 | PL 53-45 | PL 53-36 | | 13.0 | | E-18427-00-0-1 | E-18104-00-0-1 | | | | | | | | |
| Alphacan Fersina Master | ZOM | ELA | TIA | | 9.0 | 0-39442-2 | 9-29990-07-0-1 | 9-36886-00-0-1 | 6-27674-31-0-1 | 9-42580-00-0-1 | 9-40460-00-0-1 | | | | | |
| Aluplast Ideal 1000 | 100x22 | 100x01 | 100x46 | 120205 | 13.0 | | 9-36496-00-0-1 | 9-34907-00-0-1 | 6-27831-05-0-1 | 9-39847-00-0-1 | 9-40066-00-0-1 | | | | | |
| Aluplast Ideal 2000 | 120022 | 120002 | 120041 | 120204 | 13.0 | 0-43122-2 | 9-36496-00-0-1 | 9-34907-00-0-1 | 6-27831-05-0-1 | 9-39847-00-0-1 | 9-40066-00-0-1 | | | | | |
| Aluplast Ideal 4000 | 140032 | 140002 | 140044 | 140066 | 13.0 | 0-44057-1 | 9-36496-00-0-1 | 9-38218-00-0-1 | 6-27831-08-0-1 | 9-41531-00-0-1 | 9-40066-00-0-1 | X | X | X | | |
| Aluplast Ideal 5000 | 150032 | 150003 | 150043 | 150065 | 13.0 | 0-44058-1 | 9-36496-00-0-1 | 9-38218-00-0-1 | 6-27831-08-0-1 | 9-41531-00-0-1 | 9-40066-00-0-1 | | | | | |
| Aluplast Ideal 6000 | 160032 | 160003 | 160043 | 160065 | 13.0 | 0-44059-1 | 9-36496-00-0-1 | 9-38218-00-0-1 | 6-27831-08-0-1 | 9-41531-00-0-1 | 9-40066-00-0-1 | | | | | |
| Aluplast Signum 21 | 70 | 71 (77) | 72 | | 9.0 | 0-39217-2 | 9-29990-04-0-1 | 9-30146-04-0-1 | 6-27674-17-0-1 | | | | X | X | | |
| Aluplast Signum 25 | 2539 | 2534 | 2547 | | 13.0 | 0-43257-2 | 9-35771-00-0-1 | 9-35770-00-0-1 | 6-27831-02-0-1 | | 9-40463-00-0-1 | | | | | |
| Aluplast Signum 26 | 2611 | 2602 | 2621 | | 13.0 | 0-43451-2 | 9-36277-00-0-1 | E-19225-01-0-1 | | | | | | | | |
| Astraseal | HF 51 | HF 67 | HF 74 | | 9.0 | G-39699-2 | 9-29990-02-0-1 | 9-30146-02-0-1 | | | | | | | | |
| Astraseal | | | | | 9.0 | 0-42049-2 | 9-29990-15-0-1 | E-11968-00-0-1 | | | | | X | X | X | X |
| Atrya (Tryba) E 58 | Z 94 | L 65 | T 84R | | 9.0 | 0-42337-2 | 9-29990-27-0-1 | E-16069-00-0-1 | 6-27674-22-0-1 | | | | X | | X | |
| Atrya (Tryba) T 58 | Z 76 J | L 66/3J | | | 13.0 | | 9-36277-00-0-1 | E-18949-00-0-1 | 6-27831-06-0-1 | | 9-40465-00-0-1 | | | | | |
| Atrya (Tryba) T 62 | BL 110 | NS 100 | MD 100 | ME 200 | 9.0 | 0-41223-2 | 9-29990-06-0-1 | E-16237-00-0-1 | 6-27674-21-0-1 | | | | X | X | X | |
| Brüggmann AD | HP 153 | HP 104 | HP 302 | HP 350 | 13.0 | 0-44066-1 | 9-36277-00-0-1 | 9-34907-00-0-1 | 6-27831-05-0-1 | 9-39847-00-0-1 | 9-40465-00-0-1 | X | X | X | X | |
| Brüggmann MD | HP 253 | HP 202 | HP 402 | HP 451 | 13.0 | 0-44044-1 | 9-36277-00-0-1 | 9-34907-00-0-1 | 6-27831-05-0-1 | 9-39847-00-0-1 | 9-40465-00-0-1 | | X | X | X | |
| Bug Serie Kompakt | | | 690 470 | | 9.0 | 0-43199-2 | 9-30163-18-0-1 | 9-30147-00-0-1 | | | | | X | | X | |
| Deceuninck 1800 | P 1806 | P 1801 | | | 9.0 | | 9-35527-00-0-1 | 9-36544-00-0-1 | 6-27674-14-0-1 | | | | | | | |
| Deceuninck Mondial | P 2020 | P 2000 | | | 13.0 | | 9-29990-39-0-1 | 9-35737-00-0-1 | 6-27831-10-0-1 | 9-42583-00-0-1 | 9-40475-00-0-1 | | | | | |
| Deceuninck Mondial | P 2021 | P 2010 | P 2031 | | 13.0 | 0-43139-2 | 9-29990-39-0-1 | E-18369-02-0-1 | 6-27831-10-0-1 | 9-42583-00-0-1 | 9-40475-00-0-1 | X | | X | | |
| Deceuninck Mondial | P 2105 | P 2100 | | | 13.0 | | 9-29990-39-0-1 | 9-35737-00-0-1 | 6-27831-31-0-1 | 9-42583-00-0-1 | 9-40475-00-0-1 | | | | | |



PVC profile systems for windows and balcony-doors

GU-oZ, GU-oZ bb

GU-oZ bb

GU-oZ, GU-oZ bb

| Profile systems | Sash | Frame | Mullion | Dummy mullion | Axis mm | Standard drawing | Engaging striker | | Sec striker (steel) Frame | "Ahs" Striker (zinc) Frame | Run-up plate Frame | Handle lockable both sides | | inside | |
|--------------------------|-----------|-----------|-----------|---------------|---------|------------------|------------------|----------------|---------------------------|----------------------------|--------------------|----------------------------|--------|--------|----|
| | | | | | | | PU 20 | PU 100 | | | | PU 100 | PU 100 | PU 1 | 30 |
| Deceuninck Zendow | 3052 | 3001 | 3082 | 3077 | 13.0 | 0-44303-1 | 9-35509-00-0-1 | 9-35508-00-0-1 | 9-40032-00-0-1 | 9-41825-00-0-1 | E-21902-35-0-1 | X | | X | |
| Deltaplast | PA 006 | PA 002 | PA 004 | | | | 9-29990-06-0-1 | 9-30146-06-0-1 | | | | | | X | |
| Dimat 60 (Amari) | 621 | 610-2 | 630 | | 9.0 | 0-39452-2 | 9-29990-29-0-1 | E-11794-12-0-1 | | | | | X | X | X |
| Dimat 65 (Amari) | 30229 | 30228 | 50530 | | 9.0 | 0-39817-2 | 9-29990-So-0-1 | E-11794-06-0-1 | | | | X | | X | |
| Dimex Accord | 712 100 | 711 800 | | | 13.0 | | 9-36277-00-0-1 | 9-34907-00-0-1 | 6-27831-05-0-1 | | | | | | |
| Dimex Komfort | | | | | 13.0 | 0-43501-2 | 9-36277-00-0-1 | 9-34907-00-0-1 | 6-27831-08-0-1 | 9-41531-00-0-1 | 9-40473-00-0-1 | X | | X | |
| Dongsan (Korea) | 1616 | 1604 | | | | | 9-33807-00-0-1 | 9-33802-00-0-1 | | | | | | | |
| Duraco Combidur MPF | SP 1091 | SP 1034 | SP 1037 | | | | 9-30163-18-0-1 | 9-30147-00-0-1 | | | | | | X | |
| Ego Kiefer | | | | | 9.0 | | 9-36033-00-0-1 | 9-34202-00-0-1 | 6-27674-38-0-1 | | | | | X | X |
| Epwin | 2230 | 2207 | 2212 | 2231 | 17.5 | 0-42546-2 | 9-29990-37-0-1 | 9-30912-05-*-1 | | | | X | X | X | X |
| Eurext | R 704 | R 703 | R 701 | | 9.0 | 0-39585-2 | 9-30625-00-0-1 | 9-30627-00-0-1 | | | | X | | X | |
| Europlast 7000 | R 7010 | R 7000 | | R 7058 | 9.0 | | 9-29990-09-0-1 | 9-30146-09-0-1 | | | | | | | |
| Feba | FL 06 | BR 01 | | | 9.0 | 0-43212-2 | 9-36033-00-0-1 | E-14339-00-0-1 | | | | X | | X | |
| Finstral | D 237 | D 242 | D 222 | | 9.0 | 0-40172-2 | 9-29990-06-0-1 | 9-30146-06-0-1 | | | | | X | X | X |
| Funke KS Helios | | | | | 13.0 | | 9-36277-00-0-1 | 9-42972-00-0-1 | 6-31067-03-0-1 | 9-42586-00-0-1 | 9-40465-00-0-1 | | | | |
| Funke System Phoenix | 03 302 | 03 102 | | | | | 9-36277-00-0-1 | 9-34907-00-0-1 | | 9-42586-00-0-1 | 9-40465-00-0-1 | | | | |
| Gealan S 3000 | 3090 | 3008 | 3038 | 3301 | 13.0 | 0-43964-1 | 9-35740-00-0-1 | 9-35858-00-0-1 | 6-27831-04-0-1 | 9-39155-00-0-1 | 9-40468-00-0-1 | | | | |
| Gealan S 6000 | 6093 | 6008 | 6037 | | 13.0 | 0-43491-2 | 9-36277-00-0-1 | 9-37885-00-0-1 | 6-27831-22-0-1 | 9-41536-00-0-1 | | | | | |
| Gealan S 7000 iQ | 7093 | 7008 | 7037 | 7303 | 13.0 | 0-44064-1 | 9-35740-00-0-1 | 9-35858-00-0-1 | 6-27831-04-0-1 | 9-39155-00-0-1 | 9-40468-00-0-1 | | | | |
| Gealan S 7000 iQ | 7093 | 7008 | 7037 | 7302 | 13.0 | 0-44064-1 | 9-35740-00-0-1 | 9-35858-00-0-1 | 6-27831-04-0-1 | 9-39155-00-0-1 | 9-40468-00-0-1 | | | | |
| Gealan S 8000 | 8093 | 8011 | 8037 | 8080 | 13.0 | 0-44131-1 | 9-35740-00-0-1 | 9-35858-00-0-1 | 6-27831-04-0-1 | | 9-40468-00-0-1 | | | | |
| Gromathic System AD 3100 | GM 3101 | GM 3108 | | | 9.0 | | 9-30625-00-0-1 | 9-34202-00-0-1 | 6-27674-18-0-1 | | | | | | |
| Gromathic System FV | GM 2400 | GM 2401 | GM 2402 | | 9.0 | 0-40222-2 | 9-29990-16-0-1 | 9-30146-16-0-1 | | | | X | | X | |
| Gromathic System MD 3000 | GM 3000 | GM 3008 | | | 9.0 | | 9-30625-00-0-1 | 9-34202-00-0-1 | 6-27674-24-0-1 | | | | | | |
| Hapa | 7701 | 7700 | 7703 | | | | 9-30163-18-0-1 | 9-30147-00-0-1 | | | | | | | |
| Helmitin CS | 4-60091 | 4-60090 | 4-60094 | 4-60096 | 13.0 | 0-41396-2 | 9-35715-00-0-1 | 4-64667-00-0-1 | | | | | | | |
| Helmitin KS | 4-60132 | 4-60111 | 4-60121 | 4-60124 | 13.0 | 0-42308-2 | 9-35715-00-0-1 | 4-64667-00-0-1 | 6-27831-01-0-1 | | | | | | |
| Helmitin KSL | 4-60185 | 4-60182 | 4-60195 | 4-60201 | 13.0 | 0-43511-2 | 9-29990-35-0-1 | 9-34907-00-0-1 | 6-27831-01-0-1 | | | | | | |
| Helmitin MS | 4-60089 | 4-60055 | 4-60088 | | 13.0 | 0-39216-2 | 9-29990-08-0-1 | 9-30146-08-0-1 | | | | | | X | |
| Hesaplast | 3302 | 3301 | | | | | 9-29990-So-0-1 | 9-30146-So-0-1 | | | | | | | |
| Hocoplast H 120 | 120-86 | 100-68 | | | | | 9-29990-27-0-1 | E-11968-00-0-1 | 6-27674-19-0-1 | | | | | | |
| Home | F 83 | B 80 | | | 9.0 | | 9-29990-01-0-1 | 9-30146-01-0-1 | | | | | | | |
| Illerplastic | HFL 1.201 | HST 1.121 | HPF 1.300 | | 9.0 | | 9-30163-18-0-1 | 9-30147-00-0-1 | 6-27674-29-0-1 | | | | | | |
| Inefa Kontur 2000 | 1209 | 1201 | 1203 | 1217 | 9.0 | 0-44018-2 | 9-29990-07-0-1 | 9-30146-07-0-1 | 6-27674-35-0-1 | | | | X | X | X |
| Inoutic AD | Z 10 | L 10 | T 20 | SZ 1 | 13.0 | 0-44129-1 | 9-29990-08-0-1 | 9-34492-00-0-1 | 6-27831-03-0-1 | 9-41534-00-0-1 | 9-40467-00-0-1 | | | | |
| Inoutic Elite | H 740 | L 710 | | | 13.0 | | 9-29990-08-0-1 | 9-34492-00-0-1 | 6-27831-03-0-1 | 9-41534-00-0-1 | 9-40467-00-0-1 | X | X | X | X |
| Inoutic Exclusive | ZE 183 | LE 128 | TE 152 | | 9.0 | | 9-36033-00-0-1 | 9-34202-00-0-1 | | | | | | | |
| Inoutic Kompakt | Z1-Z3 | L1-L2 | T2 | | | | 9-30163-18-0-1 | E-11968-00-0-1 | | | | X | | X | |



PVC profile systems for windows and balcony-doors

GU-oZ, GU-oZ bb

GU-oZ bb

GU-oZ, GU-oZ bb

| Profile systems | Sash | Frame | Mullion | Dummy mullion | Axis mm | Standard drawing | Engaging striker | | Sec striker (steel) Frame | "Ahs" Striker (zinc) Frame | Run-up plate Frame | Handle lockable both sides | | inside | |
|----------------------------|------------|---------|---------|---------------|---------|------------------|------------------|----------------|---------------------------|----------------------------|--------------------|----------------------------|--------|--------|----|
| | | | | | | | PU 20 | PU 100 | | | | PU 100 | PU 100 | PU 1 | 30 |
| Inoutic MD 100 | ZM 200 | LM 200 | TM 100 | | 13.0 | | 9-29990-08-0-1 | 9-34492-00-0-1 | 6-27831-03-0-1 | 9-41534-00-0-1 | 9-40467-00-0-1 | | | | |
| Inoutic Mitteldichtung | ZM 2 | LM 20 | TM 10 | SFM 1 | 9.0 | 0-41195-2 | 9-29990-13-0-1 | 9-31755-00-0-1 | 6-27674-09-0-1 | | | | | | |
| Inoutic Prestige | Z 184 | L 176 | T 276 | SFZ 176 | 13.0 | 0-44133-1 | 9-29990-08-0-1 | 9-34492-00-0-1 | 6-27831-03-0-1 | 9-41534-00-0-1 | 9-40467-00-0-1 | X | X | X | X |
| Integratio (Möller) | 68110 | 68020 | 68220 | | 9.0 | 0-39759-2 | 9-29990-06-0-1 | 9-30146-06-0-1 | | | | | | | X |
| Internorm | 16002 | 16001 | 16003 | | 9.0 | 0-40095-2 | 9-29990-01-0-1 | 9-30146-01-0-1 | | | | | | | |
| Internorm | | | | | 9.0 | 0-41310-2 | 9-29990-01-0-1 | 9-30146-01-0-1 | | | | | X | | X |
| Intertec (Greiner) | GF 1022 | GR 1001 | GK 1040 | | 9.0 | 0-43187-2 | 9-29990-27-0-1 | E-14339-00-0-1 | | | | | X | X | X |
| Intertec WD 70 (Greiner) | 140001 | 140020 | 140040 | 140050 | 13.0 | | 9-37055-00-0-1 | 9-38634-00-0-1 | | | | | | | |
| Isobelec | Z 86 | D 70 | TD 86 | | 9.0 | 0-39845-2 | 9-29990-08-0-1 | 9-30146-99-0-1 | | | | X | | X | |
| Isoferm | GA 301 | GA 304 | GA 306 | | 9.0 | 0-39671-2 | 9-30163-18-0-1 | 9-30147-00-0-1 | | | | | | | |
| Ital Plastick | 07073ZE | 07073EL | 07073TM | 07073TC | 9.0 | 0-41303-2 | 9-29990-04-0-1 | 9-30146-04-0-1 | | | | | | | |
| Ital Plastick | Z/01 | L/41 | T/21 | | 9.0 | 0-39702-2 | 9-29990-17-0-1 | 9-30146-99-0-1 | | | | | | | |
| Josko | | | | | 13.0 | 0-44414-1 | 9-43124-00-0-1 | 9-43118-00-0-1 | 6-33144-00-0-1 | | | | | | |
| Knipping SK 4010 | SK 4236 | SK 4133 | | | 13.0 | | 9-37055-00-0-1 | 9-37137-00-0-1 | 6-27831-40-0-1 | | | | | | |
| LB-Profil PAD | AZ 2-3 | AL 1-3 | AT 2-2 | | 13.0 | 0-42969-2 | 9-35780-00-0-1 | 9-34907-00-0-1 | 6-27831-05-0-1 | | | | | | |
| Lucobay | 22. Mrz | 22. Jan | 22. Feb | | 9.0 | 0-39996-2 | 9-29990-03-0-1 | E-13534-10-0-1 | | | | X | | X | |
| Panorama 3000 | 3015 | 3001 | | | 13.0 | | 9-35740-00-0-1 | 9-41591-00-0-1 | | | 9-40488-00-0-1 | | | X | X |
| Plastival PF 5900 | F 001 | F 010 | | | | | E-18774-00-0-1 | E-18736-00-0-1 | | | E-21902-20-0-1 | | | | |
| Plastmo 2000 | 5032080 | 5032025 | 5032030 | | 9.0 | 0-40978-2 | 9-29990-01-0-1 | 9-30146-01-0-1 | | | | | X | X | X |
| Plastmo Index | 6035040 | 6035025 | 6035032 | 6035085 | | | 9-36033-00-0-1 | 9-34202-00-0-1 | | | | | | | |
| Plustec Premium | FR 61 HV-5 | BR 76-5 | SP 85 V | | 13.0 | 0-44120-1 | 9-36496-00-0-1 | 9-37135-00-0-1 | 6-27831-02-0-1 | | | | | | |
| Plustec Softline | FR 60 V | BR 76 | SP 85 V | | 13.0 | 0-43185-2 | 9-36496-00-0-1 | 9-37135-00-0-1 | 6-27831-02-0-1 | | | | | | |
| Polyval | 1.104 | 1.100 | 1.105 | | 9.0 | 0-39454-2 | 9-29990-07-0-1 | E-13509-00-0-1 | | | | | | | |
| Primo | P 1812 | P 1812 | P 1815 | | 9.0 | 0-40668-2 | 9-29990-42-0-1 | 9-30146-07-0-1 | | | | X | | X | |
| Primo 400 | P 2106 | P 3043 | P 2382 | | 9.0 | | 9-29990-42-0-1 | 9-36878-00-0-1 | | | | | | | |
| Primo 4000 | | | | | 13.0 | | 9-36277-00-0-1 | 9-34907-00-0-1 | | | | | | | |
| Profel | P 602 | P 601 | P 603 | | 9.0 | 0-39449-2 | 9-29990-16-0-1 | 9-30146-16-0-1 | 6-27674-19-0-1 | | | | | | |
| Profine Eurodur 3S | 1411 | 1402 | 1425 | 1440 | 13.0 | 0-43958-1 | 9-33807-00-0-1 | 9-33802-00-0-1 | 6-27831-01-0-1 | 9-41530-00-0-1 | 9-40457-00-0-1 | | | | |
| Profine EuroFutur Classic | 2411 | 2402 | 2422 | 2440 | 13.0 | | 9-33807-00-0-1 | 9-33802-00-0-1 | 6-27831-01-0-1 | 9-41530-00-0-1 | 9-40457-00-0-1 | | | | |
| Profine EuroFutur Elegance | 111 | 102 | 122 | 140 | 13.0 | 0-44082-1 | 9-33807-00-0-1 | 9-33802-00-0-1 | 6-27831-01-0-1 | 9-41530-00-0-1 | 9-40457-00-0-1 | | | | |
| Profine Gold | 1463 | 1461 | 1469 | 1440 | 13.0 | 0-42704-2 | 9-35509-00-0-1 | 9-35508-00-0-1 | 9-40032-00-0-1 | | | | | | |
| Profine KBE 58 | 318 | 306 | 132 | 734 | 9.0 | 0-42043-2 | 9-35527-00-0-1 | 9-31115-00-0-1 | 6-27674-05-0-1 | 9-41533-00-0-1 | 9-40469-00-0-1 | | | | |
| Profine KBE 70 | 375 | 370 | 380 | 385 | 13.0 | | 9-35509-00-0-1 | 9-35508-00-0-1 | 6-27831-56-0-1 | 9-41825-00-0-1 | 9-40488-00-0-1 | | | | |
| Profine Kömmerling 88+ | 6214 | 6201 | 6221 | 6307 | 13.0 | 0-44882-1 | 9-33807-00-0-1 | 9-33802-00-0-1 | 6-27831-01-0-1 | 9-41530-00-0-1 | 9-40457-00-0-1 | X | | X | |
| Profine Tritec | P 1472 | P 1300 | P 1022 | | 9.0 | 0-43300-2 | 9-29990-03-0-1 | E-15321-00-0-1 | | | | | | | |
| Profine Trocal 88+ | 8221 | 8102 | 8301 | 8324 | 13.0 | 0-44881-1 | 9-29990-06-0-1 | 9-41716-00-0-1 | 6-27674-42-0-1 | 9-41717-00-0-1 | 9-40476-00-0-1 | X | | X | |
| Profine Trocal 900 | 920700 | 910100 | 930200 | 935100 | 9.0 | 0-44128-1 | 9-29990-06-0-1 | 9-30806-00-0-1 | 6-27674-07-0-1 | 9-42587-00-0-1 | 9-40476-00-0-1 | X | X | X | X |
| Profine Trocal Confort | 120400 | 110200 | 130600 | | 13.0 | 0-43378-2 | 9-37055-00-0-1 | 9-37137-00-0-1 | 6-27831-40-0-1 | 9-42809-00-0-1 | 9-40785-00-0-1 | | | | |



PVC profile systems for windows and balcony-doors

GU-oZ, GU-oZ bb

GU-oZ bb

GU-oZ, GU-oZ bb

| Profile systems | Sash | Frame | Mullion | Dummy mullion | Axis mm | Standard drawing | Engaging striker | | Sec striker (steel) Frame | "Ahs" Striker (zinc) Frame | Run-up plate Frame | Handle lockable both sides | | inside | |
|-------------------------------|---------|---------|---------|---------------|---------|------------------|------------------|----------------|---------------------------|----------------------------|--------------------|----------------------------|--------|--------|----|
| | | | | | | | PU 20 | PU 100 | | | | PU 100 | PU 100 | PU 1 | 30 |
| Profine Trocal Innonova 2000 | 520100 | 510100 | 530100 | 532100 | 13.0 | 0-44130-1 | 9-29990-06-0-1 | 9-41716-00-0-1 | 6-27674-42-0-1 | 9-41717-00-0-1 | 9-40476-00-0-1 | | | | |
| Profine Trocal Innonova 70 AD | 622140 | 610230 | 630140 | | 13.0 | 0-44673-1 | 9-37055-00-0-1 | 9-43159-00-0-1 | 6-27831-40-0-1 | 9-42809-00-0-1 | 9-40785-00-0-1 | X | | X | |
| Profine Trocal Innonova 70 MD | 520600 | 510300 | 530400 | | 13.0 | | 9-37055-00-0-1 | 9-37137-00-0-1 | 6-27831-40-0-1 | 9-42809-00-0-1 | 9-40785-00-0-1 | | | | |
| Pural | P 005 | P 010 | P 011 | P 008 | 9.0 | 0-39235-2 | 9-29990-11-0-1 | 9-30146-11-0-1 | | | 9-41277-00-0-1 | | | | |
| Pural | P 005 | P 002 | | | 9.0 | | 9-29990-40-0-1 | 9-30146-02-0-1 | | | 9-41277-00-0-1 | | | | |
| Ramplast Ecotherm | 302-01 | 301-01 | 303-01 | 304-01 | 9.0 | | 9-36033-00-0-1 | 9-31115-00-0-1 | 6-27674-61-0-1 | | | | | | |
| Reckendrees DD | 5203207 | 5201304 | 5205300 | | | 0-39773-2 | 9-29990-32-0-1 | 9-30146-13-0-1 | | | | | | X | |
| Record Quadro | | | | | 13.0 | 0-43124-2 | 9-30913-03-0-1 | 9-34907-00-0-1 | | | | | | | |
| Rehau S 707 | 612 722 | 622 372 | 622 382 | | | | 9-29990-03-0-1 | E-13534-10-0-1 | | | | | | | |
| Rehau S 711 | 551 020 | 551 080 | 551 030 | | 9.0 | F-41125-2 | 9-35446-00-0-1 | E-13685-00-0-1 | 6-27674-12-0-1 | | | | | | |
| Rehau S 711 | 551 020 | 551 150 | 551 030 | 551 050 | 9.0 | 0-42592-2 | 9-35446-00-0-1 | E-13685-00-0-1 | 6-27674-12-0-1 | | | | | | |
| Rehau S 711 | 551 060 | 551 040 | 551 030 | | 9.0 | F-41309-2 | 9-35446-00-0-1 | E-13685-00-0-1 | 6-27674-12-0-1 | | | | | | |
| Rehau S 729 | 543 021 | 543 221 | 543 181 | | 13.0 | 0-43362-2 | 9-35771-00-0-1 | 9-35770-00-0-1 | 6-27831-02-0-1 | | | X | | X | |
| Rehau S 730 | 541 010 | 541 120 | 541 230 | 541 100 | 13.0 | 0-43959-1 | 9-35771-00-0-1 | 9-35770-00-0-1 | 6-27831-02-0-1 | 9-42592-00-0-1 | 9-40463-00-0-1 | | | | |
| Rehau S 780 | 634 153 | 634 133 | | | 9.0 | 0-42907-2 | 9-35446-00-0-1 | E-14339-00-0-1 | 6-27674-13-0-1 | | | | | | |
| Roplasto 6001 Plus S-AD | 641300 | 619003 | 619202 | | 9.0 | | 9-29990-01-0-1 | E-15061-00-0-1 | 6-27674-20-0-1 | 9-42584-00-0-1 | | | | | |
| Roplasto 6001 Plus S-AD | 640200 | 619003 | | | 9.0 | | 9-29990-01-0-1 | E-15061-00-0-1 | 6-27674-20-0-1 | 9-42584-00-0-1 | | | | | |
| Roplasto 6001 Plus S-MD | 641300 | 611400 | 610400 | | 9.0 | 0-39234-2 | 9-29990-03-0-1 | E-13534-10-0-1 | 6-27674-So-0-1 | | 9-40489-00-0-1 | X | | X | |
| Roplasto 6001 Plus S-MD | 640200 | 610172 | | | 9.0 | | 9-29990-03-0-1 | E-13534-10-0-1 | 6-27674-So-0-1 | | 9-40489-00-0-1 | | | | |
| Roplasto 7001 | 220204 | 210804 | | | 13.0 | | 9-35509-00-0-1 | 9-35508-00-0-1 | 6-27831-02-0-1 | | 9-40488-00-0-1 | | | | |
| Salamander Design 2D | 211 020 | 210 020 | 212 020 | 216 020 | 13.0 | 0-44152-1 | 9-36277-00-0-1 | 9-38634-00-0-1 | 6-27831-30-0-1 | 9-42593-00-0-1 | 9-40466-00-0-1 | | | | |
| Salamander Design 3D | 211 230 | 110 220 | | | 13.0 | 0-43886-2 | 9-36277-00-0-1 | 9-38634-00-0-1 | 6-31067-04-0-1 | 9-41532-00-0-1 | 9-40466-00-0-1 | | X | X | X |
| Salamander Design MD | 111 036 | 110 036 | 112 025 | 116 025 | 13.0 | | 9-36277-00-0-1 | 9-38634-00-0-1 | 6-27831-30-0-1 | 9-42593-00-0-1 | 9-40466-00-0-1 | X | | X | |
| Salamander Streamline | 251 030 | 250 220 | 252 130 | 256 030 | 13.0 | | 9-36277-00-0-1 | 9-38634-00-0-1 | 6-31067-04-0-1 | 9-41532-00-0-1 | 9-40466-00-0-1 | X | | X | |
| Salamander Universal | 201 030 | 200 030 | 202 020 | 206 030 | 9.0 | 0-44145-1 | 9-29990-28-0-1 | 9-31750-00-0-1 | 6-27674-08-0-1 | | 9-40471-00-0-1 | X | | X | |
| Salamander Universal | 201 020 | 200 020 | 202 020 | | 9.0 | | 9-29990-28-0-1 | 9-31750-00-0-1 | 6-27674-08-0-1 | | 9-40471-00-0-1 | | | | |
| Schock Thermassiv | FE | BE | BK | | 9.0 | 0-39438-2 | 9-31402-00-0-1 | 9-30146-03-0-1 | | | | | | | |
| Schüco AS | 700100 | 702100 | 704100 | 718400 | 9.0 | 0-39460-2 | 9-30625-00-0-1 | 9-30627-00-0-1 | 6-27674-18-0-1 | | | X | | X | |
| Schüco Corona AS 60 | 8129 | 8134 | 8111 | 8131 | 13.0 | 0-43702-2 | 9-36496-00-0-1 | 9-38218-00-0-1 | 6-27831-17-0-1 | 9-41531-00-0-1 | 9-40065-00-0-1 | X | | X | |
| Schüco Corona CT 70 | 8563 | 8597 | | 8574 | 13.0 | | 9-36277-00-0-1 | 9-38218-00-0-1 | 6-27831-25-0-1 | 9-39847-00-0-1 | 9-40066-00-0-1 | X | | X | |
| Schüco Corona MD 60 | 8122 | 8117 | 8126 | 8137 | 13.0 | | 9-36496-00-0-1 | 9-38218-00-0-1 | 6-27831-17-0-1 | 9-41531-00-0-1 | | X | | X | |
| Schüco M+A | 717903 | 726703 | 727003 | 718303 | 9.0 | | 9-30625-00-0-1 | 9-30627-00-0-1 | 6-27674-27-0-1 | | | | | | |
| Schüco MF | 717800 | 717600 | 718100 | 718300 | 9.0 | 0-39465-2 | 9-30625-00-0-1 | 9-30627-00-0-1 | | | | | | | |
| Semperdur 6001 | 6103 | 6114 | 6104 | 6104 | 9.0 | 0-40866-2 | 9-29990-03-0-1 | 9-30146-03-0-1 | | | | X | | X | |
| Sotrap-Gregorex 2000 | | | | | 9.0 | F-39023-2 | 9-29990-05-0-1 | 9-30146-05-0-1 | | | | | | | |
| Sotrap-Gregorex Plus | 1 | 80.90 | 2002 | | 9.0 | F-40467-2 | 9-29990-05-0-1 | E-11968-00-0-1 | | | | | | | |
| Spectus Windows | SW 07 | SW 05 | SW 06 | | 9.0 | G-41053-2 | 9-29990-05-0-1 | 9-30146-05-0-1 | | | | | | | |
| Stabau-Massiv | 58/106 | 58/65 | 56/92 | | 9.0 | 0-39981-2 | 9-29990-18-0-1 | 8-00842-00-0-1 | | | | | X | X | X |

Tilt&Slide hardware

Strikers and engaging strikers according to profile system



PVC profile systems for windows and balcony-doors

GU-oZ, GU-oZ bb

GU-oZ bb

GU-oZ, GU-oZ bb

| Profile systems | Sash | Frame | Mullion | Dummy mullion | Axis mm | Standard drawing | Engaging striker | | Sec striker (steel) Frame | "Ahs" Striker (zinc) Frame | Run-up plate Frame | Handle lockable both sides | | inside | |
|-----------------------------|---------|---------|---------|---------------|---------|------------------|------------------|----------------|---------------------------|----------------------------|--------------------|----------------------------|--------|--------|----|
| | | | | | | | PU 20 | PU 100 | | | | PU 100 | PU 100 | PU 1 | 30 |
| Stöckel Ecostep | 2260 | 2111 | | | | | 9-36902-00-0-1 | 9-37730-00-0-1 | 6-27831-21-0-1 | | | | | | |
| Stöckel Twinstep | 1210 | 1111 | 1120 | | 9.0 | 0-39727-2 | 9-29990-06-0-1 | 9-30146-06-0-1 | 6-27674-07-0-1 | | | | | X | |
| Thermopur | P 2 | P 1 | P 4 | | 9.0 | 0-40476-2 | 9-30163-18-0-1 | 9-30147-00-0-1 | | | | | | X | |
| Veka Alphaline | 103.314 | 101.236 | 102.242 | 102.245 | 13.0 | 0-44825-1 | 9-36277-00-0-1 | 9-42972-00-0-1 | 6-27831-32-0-1 | 9-42586-00-0-1 | 9-40465-00-0-1 | | | | |
| Veka MD | 103.016 | 101.025 | 102.022 | | 9.0 | 0-39579-2 | 9-29990-01-0-1 | E-15061-00-0-1 | | | | | | X | |
| Veka Softline 70 | 103.232 | 101.214 | 102.218 | 102.236 | 13.0 | 0-44350-1 | 9-36277-00-0-1 | 9-42972-00-0-1 | 6-27831-32-0-1 | 9-42586-00-0-1 | | | | | |
| Veka Softline AD-Nutlage 13 | 103.196 | 101.111 | 102.103 | 102.196 | 13.0 | 0-44357-1 | 9-36277-00-0-1 | 9-42972-00-0-1 | 6-27831-32-0-1 | 9-42586-00-0-1 | | | | | |
| Veka Softline AD-Nutlage 9 | 103.104 | 101.086 | 102.103 | 102.118 | 9.0 | 0-44041-1 | 9-36033-00-0-1 | 9-34202-00-0-1 | 6-27674-46-0-1 | 9-39848-00-0-1 | 9-40464-00-0-1 | | | | |
| Veka Softline MD | 103.118 | 101.100 | 102.105 | 102.107 | 9.0 | 0-43047-2 | 9-36033-00-0-1 | 9-34202-00-0-1 | 6-27674-46-0-1 | 9-39848-00-0-1 | 9-40464-00-0-1 | | | X | |
| Veka Swingline | 103.235 | 101.235 | 102.235 | 102.236 | 13.0 | 0-44359-1 | 9-36277-00-0-1 | 9-42972-00-0-1 | 6-27831-32-0-1 | 9-42586-00-0-1 | | | | | |
| Veka Topline AD | 103.212 | 101.205 | 102.200 | 102.236 | 13.0 | 0-44338-1 | 9-36277-00-0-1 | 9-42972-00-0-1 | 6-27831-32-0-1 | 9-42586-00-0-1 | 9-40465-00-0-1 | | | | |
| Veka Topline MD | 103.222 | 101.222 | 102.220 | 102.226 | 13.0 | | 9-36277-00-0-1 | 9-42972-00-0-1 | 6-27831-32-0-1 | 9-42586-00-0-1 | 9-40465-00-0-1 | | | | X |
| Weltplast | 552000 | 550000 | 554000 | 562000 | 9.0 | | 9-30626-00-0-1 | 9-41364-00-0-1 | 9-41459-00-0-1 | | 9-41457-00-0-1 | | | | |
| Weru AKF | | | | | 9.0 | 0-39221-2 | 9-30163-18-0-1 | 9-30147-00-0-1 | | | | | | X | |
| Weru Classico | 2FV085 | 2GB068 | 2P090 | 2FSZ066 | | 0-42581-2 | 9-38001-00-0-1 | 9-38000-00-0-1 | 9-40107-00-0-1 | | | | | | |
| Weru K 38 | 27.024 | 28.649 | 2.6471C | | | 0-43394-2 | 9-38001-00-0-1 | 9-38000-00-0-1 | 6-27831-29-0-1 | | | | X | X | X |
| Weru Palazzo | | | | | 13.0 | | 9-40110-00-0-1 | 9-40109-00-0-1 | 9-40114-00-0-1 | | | | | | |
| Weru Smartline | 622 140 | 610 230 | | | | 0-44787-1 | 9-33807-00-0-1 | 9-33802-00-0-1 | 6-27831-01-0-1 | | | | | | |
| Weru Thermico | Z 57 | 72 MD | 98 MD | 60 | | | 9-44523-02-0-1 | 9-44525-02-0-1 | 6-30495-05-0-1 | | | | | | |
| Winsol | 82/053C | 82/05 | 82/039C | | 9.0 | 0-39925-2 | 9-29990-19-0-1 | E-11994-03-0-1 | | | | | X | X | X |
| Wymar | P 109 | P 103a | P 104b | | 9.0 | 0-39661-2 | 9-29990-03-0-1 | E-13568-00-0-1 | | | | | X | X | |
| Wymar 1500 | 1507 | 1503 | | | | | 9-30913-03-0-1 | E-18289-00-0-1 | | | | | | | |
| Wymar 2000 | 2205 | 2003 | | | 13.0 | 0-43386-2 | 9-29990-39-0-1 | 9-35737-00-0-1 | | | 9-40475-00-0-1 | | | | |
| Wymar 2500 | | | | | 13.0 | | 9-42661-00-0-1 | E-19550-32-0-1 | | 9-42660-00-0-1 | 9-42662-00-0-1 | | | | |
| Wymar 3000 | 3200 | 3000 | 3100 | 3300 | 13.0 | | 9-36277-00-0-1 | 9-41839-00-0-1 | 6-27831-45-0-1 | 9-41746-00-0-1 | 9-41864-00-0-1 | | | | |



Introduction, product information

| | |
|--|-----|
| Introduction..... | 227 |
| Product information | 228 |
| Locking systems | 228 |
| Bogies, profiles and hinges..... | 228 |
| Sash configuration according to patterns 321 to 633..... | 230 |
| Sash configuration according to patterns 761 to 743..... | 231 |

Handles and optional parts

| | |
|-----------------------------------|-----|
| Turn handles and accessories..... | 232 |
| Optional parts..... | 233 |

Fold&Slide locking systems

Inward opening – handle inside

| | |
|--|-----|
| Patterns 321, 541 and 761 – Tilt&Turn passage sash..... | 234 |
| Patterns 431 and 651 – Tilt&Turn passage sash..... | 235 |
| Patterns 330, 532, 550, 633, 743 and 770 – Turn-Only passage sash..... | 236 |

Inward opening – gear AP, lockable

| | |
|--|-----|
| Patterns 321, 541 and 761 – Tilt&Turn passage sash..... | 237 |
| Patterns 431 and 651 – Tilt&Turn passage sash..... | 238 |
| Patterns 330, 532, 550, 633, 743 and 770 – Turn-Only passage sash..... | 239 |

Bogies, profiles and hinges

| | |
|---|-----|
| GU-922, inward-opening – bottom-running | 240 |
| GU-925, inward-opening – top-running..... | 241 |

Drilling jigs and templates

| | |
|--|-----|
| Drilling jigs and templates for GU-922, GU-925 | 242 |
|--|-----|

Sash hinges and strikers

| | |
|--|-----|
| Sash hinges and strikers for PVC windows and balcony-doors according to profile system | 243 |
|--|-----|



Contents

The GU order catalogue contains all Fold&Slide hardware systems and accessories according to the latest state of the art.

The following information will make you familiar with the catalogue structure which is conceived in a way to facilitate your daily work.

Catalogue structure

The GU order catalogue is structured as follows:

- Optional parts and turn handles
- Hardware sets
- Drilling jigs and templates
- Strikers, sash hinges

The catalogue is structured to meet the requirements of the customers.

Optional parts and turn handles

Optional parts and turn handles for the complete Fold&Slide hardware range are presented on special pages and can be viewed at a glance. All supplements of standard hardware versions are clearly arranged.

Locking systems

Hardware requirements depending on sash size and sash configuration

The hardware illustrations are accompanied by product tables helping to determine hardware requirements depending on the sash size.

Parts for supplementing standard hardware versions are clearly presented and can be selected easily.

Bogies, profiles and hinges

Hardware requirements for patterns 321 to 743

The hardware illustrations are accompanied by product tables helping to determine hardware requirements.

Parts for supplementing standard hardware versions are clearly presented and can be selected easily.

Drilling jigs and templates

Drilling jigs, templates and hardware assembly tools are listed according to hardware variants.

Strikers, sash hinges

Strikers and sash hinges are listed according to profile system.

Order numbers

The order number gives information about

- the product,
- its size,
- its application – e.g. DIN LH or DIN RH – and
- its colour.

Example

Order number
9-33492-00-0-*

9-33492- - - order number
- -00- - size
- - -L- left handed assembly (handle on the left)
- - -R- right handed assembly (handle on the right)
- - -0- non-handed
- - -1 F 1/EV 1, natural (silver) colour, ferGUard*silver
- - -2 F 2/EV 2, nickel silver / champaign colour
- - -3 F 3, brass colour or gold colour
- - -4 UC 3, medium bronze colour or medium brown
- - -A F 4, bronze colour
- - -C titanium colour
- - -5 UC 5, dark bronze colour or dark brown (RAL 8022)
- - -6 onyx-matt or black (RAL 9005)
- - -7 white (RAL 9016)
- - -8 stainless steel or stainless steel colour
- - -* various finishes available

If the last digit of the order number is an asterisk *

various colours are available which can be taken from the price list.

Prices

GU gross price list

The prices are listed by ascending order numbers.

Additional sales documents

Apart from the order catalogue, the following documents on Fold&Slide hardware are available:

- Brochures giving information about product features and benefits
- Direct mail from architectural hardware retailers
- Installation drawings with hardware installation instructions
- Instructions for maintenance and care



Application

Possible applications of GU Fold&Slide hardware:

- Fold&Slide balcony-door elements with 3 to 7 sashes,
- Fold&Slide window elements with 3 to 7 sashes, with roller tracks and guide tracks, each.

Locking systems

Fold&Slide locking system, inward-opening

Slide&Fold locking systems for inward-opening windows and balcony-doors feature one-handle operation. Drive gears with 15 mm backset for turn handle DIRIGENT [1] or lockable gears with 25 to 50 mm backset prepared for profile cylinder.

All locking parts are designed for a 16 mm hardware groove. Central locking system and corner drives feature adjustable locking cams.

Sash heights exceeding 851 mm require the use of extensions. The corner drives feature rust-proof 4-leaf stainless steel springs.

SRW 401 - 900 mm

SRH 851 - 2350 mm

[1] For further turn handles and accessories refer to catalogue section 'T'.

Bogies, profiles and hinges

GU-922 Fold&Slide hardware

Bottom-running hardware system with 4-roll bogie for single sash weights up to 80 kg, adjustable for different sash overlap dimensions, vertical adjustment range between + 4 mm and - 1.5 mm. Rolls consist of deep groove ball bearings with plastic sheathing. For sash weights up to 80 kg.

GU-925 Fold&Slide hardware

Top-running hardware system with 4-roll bogie for single sash weights up to 80 kg, adjustable for different sash overlap dimensions, vertical adjustment range between + 4 mm and - 1.5 mm. Rolls consist of deep groove ball bearings with plastic sheathing. For sash weights up to 80 kg.

Strikers

The strikers for various PVC profile systems must be selected according to table.

Drilling jigs, templates

The templates and drilling jigs required for hardware installation are specified in the installation drawings.

DIRIGENT turn handles [1]

The attachment of the aluminium turn handles is concealed. The handle rosettes are provided with a sturdy detent mechanism and fixed lugs. Lockable handles and service handles complete the turn handle range.

Standard colours:

| | |
|-------------------|-----------------------|
| F 1/EV 1 | silver colour |
| F 2/EV 2 | champaign colour |
| F 3 | gold colour |
| F 4 | light brown |
| dark brown | dark brown (RAL 8022) |
| black | black (RAL 9005) |
| white | white (RAL 9016) |

[1] For further turn handles and accessories refer to catalogue section 'T'.

Standard turn handles

The standard turn handles for Fold&Slide hardware featuring a 15BS drive gear or a lockable gear with PC hole are handles from our DIRIGENT-F range.

P 1213 roller tracks

Range of aluminium roller tracks for use with Fold&Slide elements fitted with standard or special hardware versions.

P 1381 guide track

Aluminium guide track for Fold&slide sashes. Serves as upper closure of the element.

Standard colours

Fold&Slide hardware systems are available in the following standard colours:

| | |
|--------------|---|
| EV 1 | Visible aluminium hardware components EV-1 anodized, cover profiles grey |
| UC 3 | Visible aluminium hardware components medium bronze anodized, cover profiles medium brown |
| UC 5 | Visible aluminium hardware components dark bronze anodized, cover profiles dark brown |
| white | Visible aluminium hardware components EV1 anodized, cover profiles white |

Further colours and finishes on request.

Curved Fold&Slide elements

If Fold&Slide elements are arranged in a curve, the minimum circle diameter must be 8 m. The instructions of the particular profile manufacturers must be observed.

Standard surface sealing of GU Fold&Slide hardware: ferGUard*silver

The hardware components are made of high-quality steel, zinc die cast and aluminium alloys.

All locking components of Fold&Slide hardware come with ferGUard*silver surface sealing.



Abbreviations

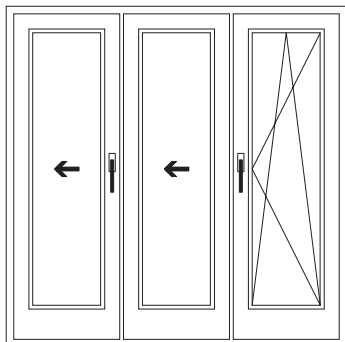
| | |
|-----|-----------------------|
| FRW | frame rebate width |
| HH | handle height |
| LC | locking cam |
| LH | left handed |
| PC | profile cylinder hole |
| PU | packing unit |
| RH | right handed |
| SRH | sash rebate height |
| SRW | sash rebate width |
| ST | sash thickness |
| TFW | total frame width |

Product information of profile system manufacturers

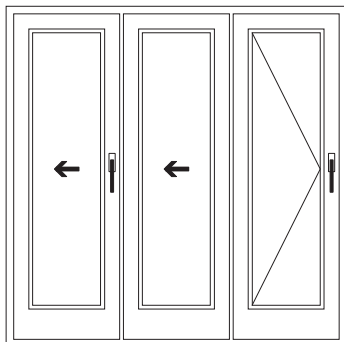
The product guidelines of the profile manufacturers regarding construction, assembly, max. sash dimensions, max. sash weights and material qualities (e.g. linear expansion) are to be observed.



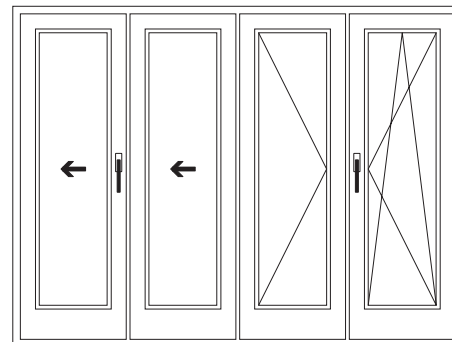
Sash configuration according to patterns 321 to 633 with Tilt&Turn or Turn-Only passage sash



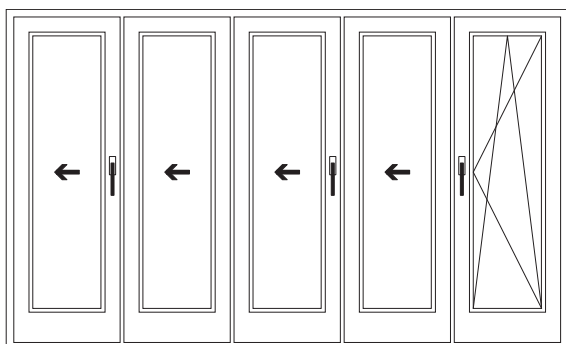
Pattern 321 [1]
2 Fold&Slide sashes
1 Tilt&Turn sash



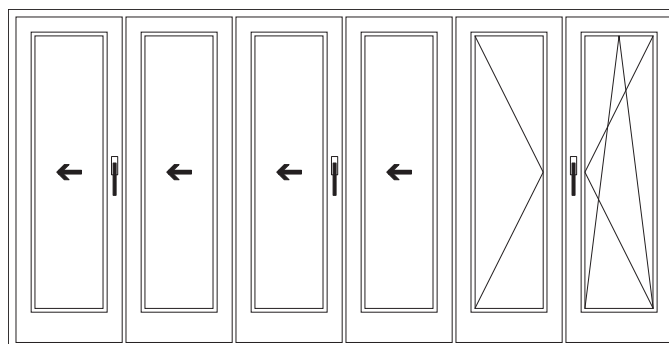
Pattern 330
2 Fold&Slide sashes
1 Turn-Only sash



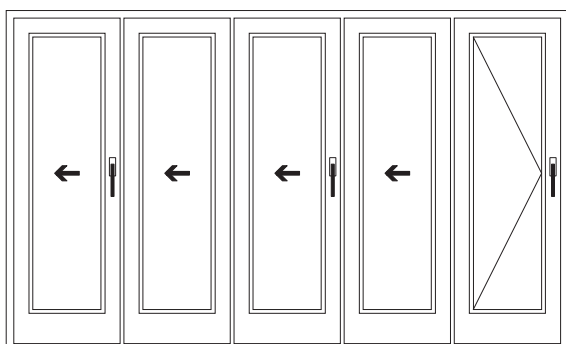
Pattern 431 [2]
2 Fold&Slide sashes
1 Turn-Only dummy mullion sash, 1 Tilt&Turn sash



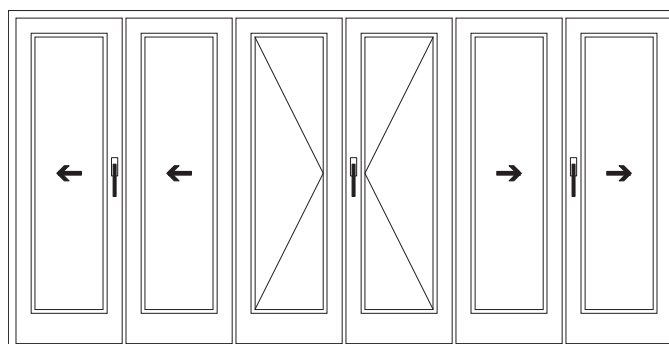
Pattern 541 [1]
4 Fold&Slide sashes
1 Tilt&Turn sash



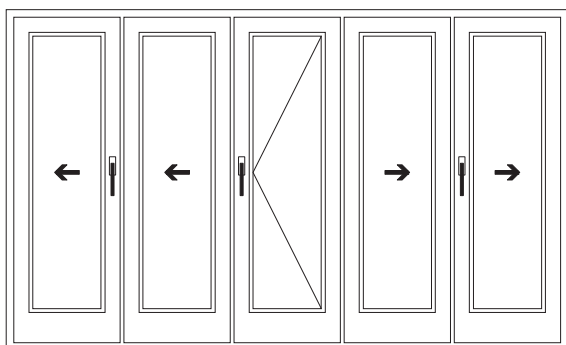
Pattern 651 [2]
4 Fold&Slide sashes
1 Turn-Only dummy mullion sash, 1 Tilt&Turn sash



Pattern 550
4 Fold&Slide sashes
1 Turn-Only sash



Pattern 633
4 Fold&Slide sashes
1 Turn-Only dummy mullion sash, 1 Turn-Only sash



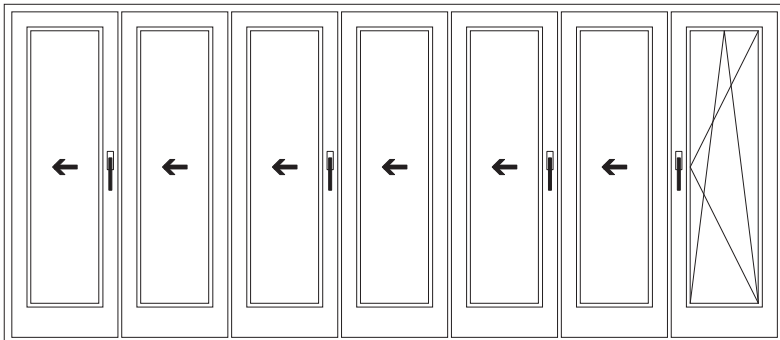
Pattern 532
4 Fold&Slide sashes
1 Turn-Only sash

Legend:

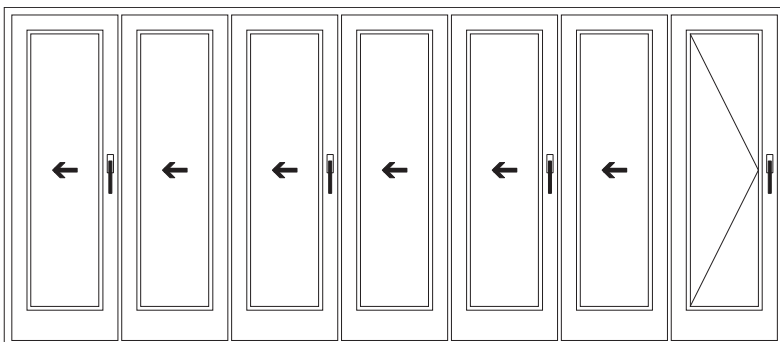
- [1] Passage sash also as Turn-Only sash
 - with sash hinges and UNI-JET Turn-Only hardware
 - with UNI-JET Turn-Only hardware
- [2] First opening passage sash also as Turn-Only sash
 - with sash hinges and UNI-JET Turn-Only hardware
 - with UNI-JET Turn-Only hardware



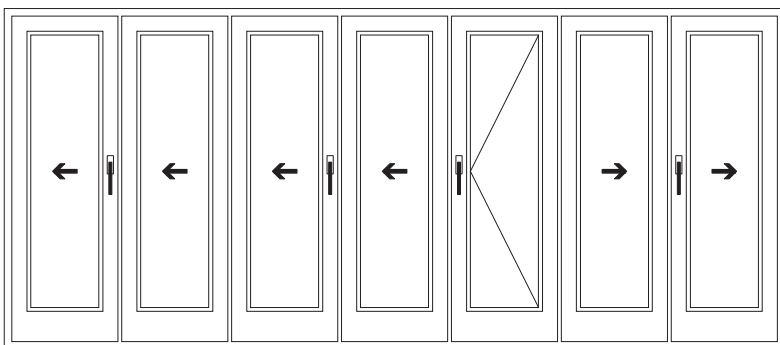
Sash configuration according to patterns 761 to 743 with Tilt&Turn or Turn-Only passage sash



Pattern 761 [1]
6 Fold&Slide sashes
1 Tilt&Turn sash



Pattern 770
6 Fold&Slide sashes
1 Turn-Only sash



Pattern 743
6 Fold&Slide sashes
1 Turn-Only sash

Legend:

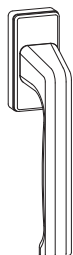
[1] Passage sash also as Turn-Only sash

- with sash hinges and UNI-JET Turn-Only hardware
- with UNI-JET Turn-Only hardware

B



DIRIGENT-F turn handles [1]



DIRIGENT-F
Spindle 29 6-28072-29-0-*
Spindle 33 6-28072-33-0-*



DIRIGENT-F/Z
Push lock,
keyed alike
Spindle 29 6-28075-29-0-*
Spindle 33 6-28075-33-0-*



DIRIGENT-F/F flat
6-28101-00-0-*



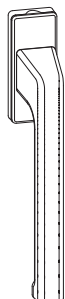
MODENA-F/Z 100 Nm [2]
for burglar-inhibiting win-
dows and balcony-doors
Spindle 29 6-34397-29-0-*
Spindle 33 6-34397-33-0-*



DIRIGENT-F/SG
Spindle 50 8-00694-50-0-7



F/I rosette - flat
6-24913-00-0-*



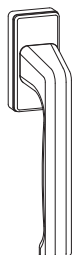
DIRIGENT-HL
with elongated handle
Rosette 32 x 81 mm
Spindle 29 6-31382-29-0-*
Spindle 33 6-31382-33-0-*



DIRIGENT-HL
with elongated handle
Rosette 32 x 81 mm
Push lock
Spindle 30 6-31383-30-0-*
Spindle 33 6-31383-33-0-*



DIRIGENT-HL
with elongated handle
Rosette 28 x 67 mm
Spindle 33 6-32629-33-0-*



DIRIGENT-F
inside - without spindle
6-28072-00-0-*



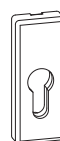
DIRIGENT-F/AF,
outside - flat
6-25223-00-0-*



DIRIGENT-F/A,
outside
6-25993-00-0-*



Square spindle
ST 56-68 9-26874-56-0-1
ST 69-80 9-26874-69-0-1



PC/I rosette (inside)
square K-17205-02-0-*
oval K-17204-02-0-*



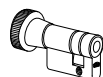
PC/O rosette (outside)
square 9-43605-02-0-*
oval 9-43582-02-0-*



For actuation from both sides
Countersunk screw M 5
ST 50-54 9-13255-60-0-1
ST 55-59 9-13255-65-0-1
ST 60-64 9-13255-70-0-1
ST 65-69 9-13255-75-0-1
ST 70-74 9-13255-80-0-1
ST 75-80 9-13255-85-0-1



For inside actuation
Countersunk screw M 5
Spindle 29 9-13255-35-0-1
Spindle 33 9-13255-40-0-1



Night lock
25 - 50 mm backsets
K-13282-00-0-*

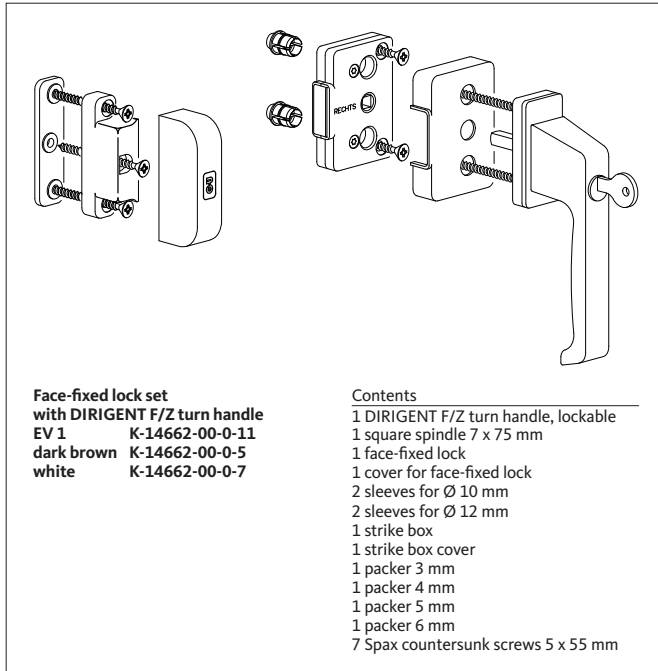


Fixed pull, outside
9-22921-00-0-*

[1] = For further turn handles and accessories refer to catalogue section 'T'.
[2] = Tested against tearing and twisting at 100 Nm in accordance with EN 1627:2011.



GU face-fixed window lock



Face-fixed lock set
with DIRIGENT F/Z turn handle
EV 1 K-14662-00-0-11
dark brown K-14662-00-0-5
white K-14662-00-0-7

Contents
1 DIRIGENT F/Z turn handle, lockable
1 square spindle 7 x 75 mm
1 face-fixed lock
1 cover for face-fixed lock
2 sleeves for Ø 10 mm
2 sleeves for Ø 12 mm
1 strike box
1 strike box cover
1 packer 3 mm
1 packer 4 mm
1 packer 5 mm
1 packer 6 mm
7 Spax countersunk screws 5 x 55 mm

JET rebate opener



End cap



Rebate opener



Top keeper

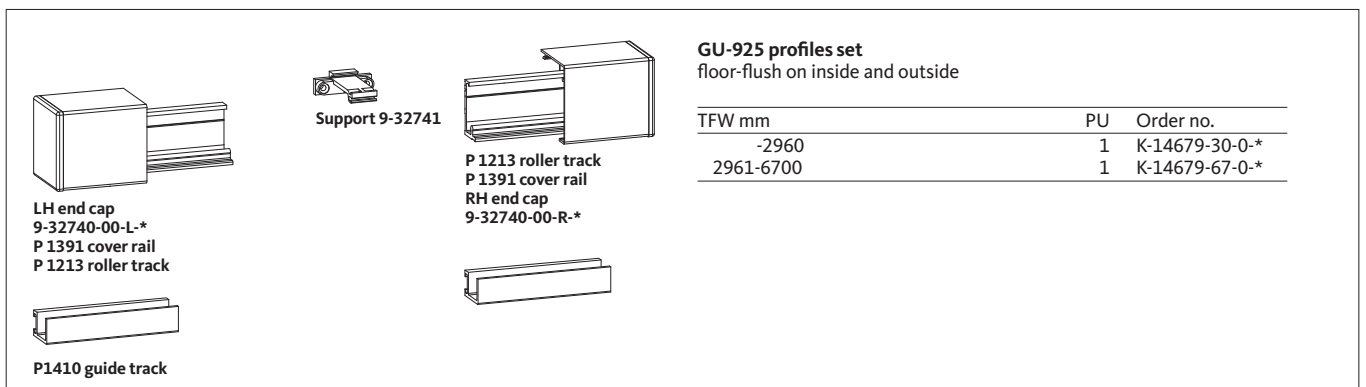
Hardware requirements

JET rebate opener for timber windows

| Qty. | Description | PU | Order no. |
|------|----------------------------------|----|----------------|
| 1 | JET rebate opener, overlap 90° | 10 | K-12280-90-0-* |
| 1 | JET rebate opener, overlap 94° | 10 | K-12280-04-0-* |
| | Drilling jig with clamping screw | 1 | 6-23590-00-0-3 |

Installation drawing 0-38343

GU-925 Fold&Slide hardware with floor-flush guide track



LH end cap
9-32740-00-L-*P 1391 cover rail
P 1213 roller track

P1410 guide track

Support 9-32741

P 1213 roller track
P 1391 cover rail
RH end cap
9-32740-00-R-*

GU-925 profiles set

floor-flush on inside and outside

| TFW mm | PU | Order no. |
|-----------|----|----------------|
| -2960 | 1 | K-14679-30-0-* |
| 2961-6700 | 1 | K-14679-67-0-* |

GU-922 and GU-925 Fold&Slide systems



Support plate 40 mm
9-35697-00-0-1



Support plate 80 mm
without run-up block
9-39386-00-0-1
with run-up block
9-42373-00-0-1



Rod guide, PVC
0-1198A-00-0-0

Fold&Slide locking system – inward-opening

Turn handle inside, patterns 321, 541 and 761 – Tilt&Turn passage sash [2]



Folding sash



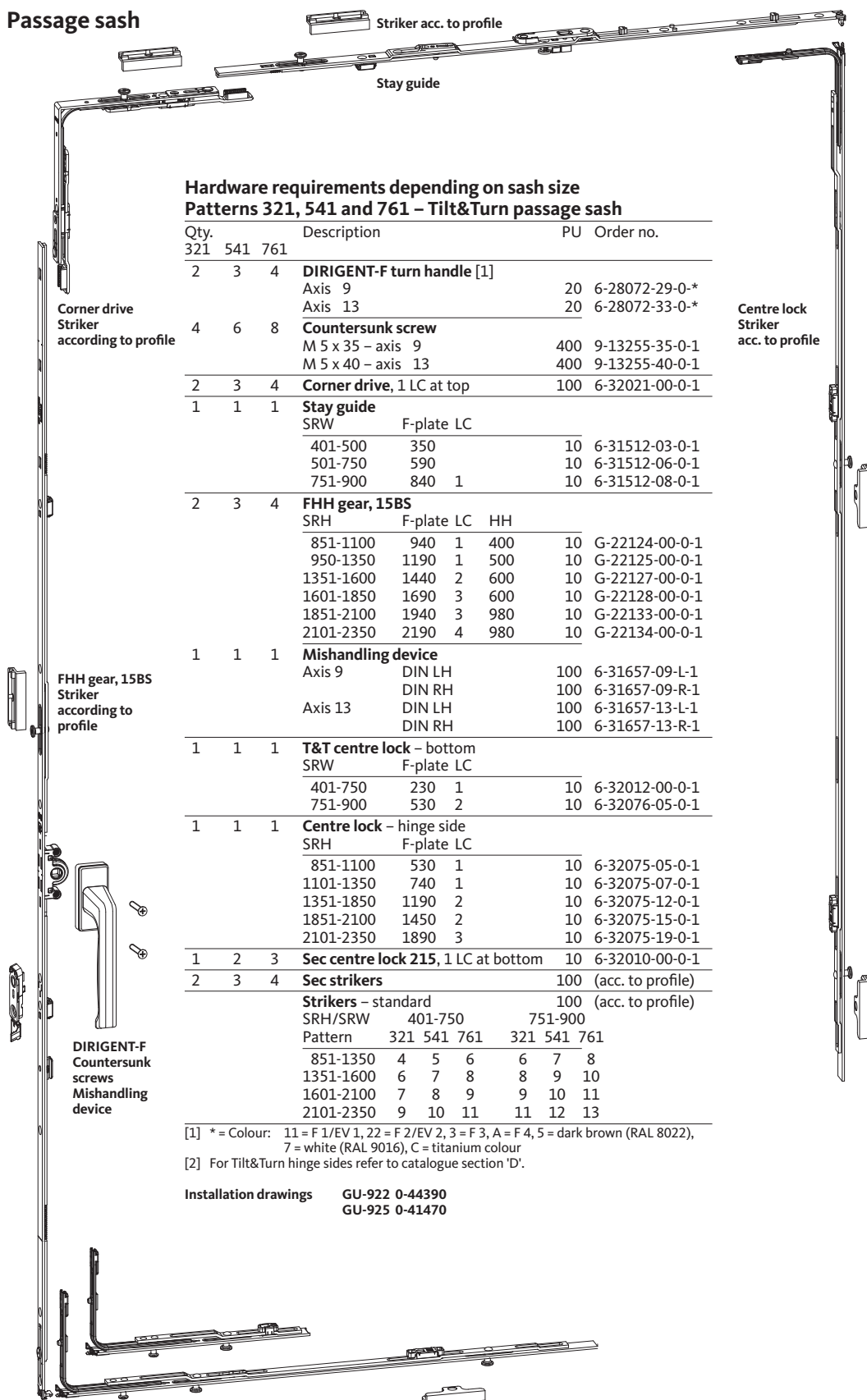
Corner drive
Striker
according to profile

FHH gear, 15BS

DIRIGENT-F
Countersunk screws

Sec centre lock 215
Sec striker acc. to profile

Passage sash



Corner drive
Striker
according to profile

FHH gear, 15BS
Striker
according to
profile

DIRIGENT-F
Countersunk
screws
Mishandling
device

T&T centre lock
Sec striker acc. to profile
tilt function

Striker acc. to profile

Stay guide

Centre lock
Striker
acc. to profile

Striker
acc. to profile

Hardware requirements depending on sash size Patterns 321, 541 and 761 – Tilt&Turn passage sash

| Qty. | | | | Description | PU | Order no. | | | |
|------|-----|-----|--|-------------|---------|-----------------------|----------------|----------------|-----|
| 321 | 541 | 761 | | | | | | | |
| 2 | 3 | 4 | DIRIGENT-F turn handle [1] | | | | | | |
| | | | Axis 9 | | 20 | 6-28072-29-0-* | | | |
| | | | Axis 13 | | 20 | 6-28072-33-0-* | | | |
| 4 | 6 | 8 | Countersunk screw | | | | | | |
| | | | M 5 x 35 – axis 9 | | 400 | 9-13255-35-0-1 | | | |
| | | | M 5 x 40 – axis 13 | | 400 | 9-13255-40-0-1 | | | |
| 2 | 3 | 4 | Corner drive, 1 LC at top | | | | | | |
| 1 | 1 | 1 | Stay guide | | | | | | |
| | | | SRW | F-plate LC | | | | | |
| | | | 401-500 | 350 | 10 | 6-31512-03-0-1 | | | |
| | | | 501-750 | 590 | 10 | 6-31512-06-0-1 | | | |
| | | | 751-900 | 840 | 10 | 6-31512-08-0-1 | | | |
| 2 | 3 | 4 | FHH gear, 15BS | | | | | | |
| | | | SRH | F-plate LC | HH | | | | |
| | | | 851-1100 | 940 | 1 | 400 | 10 | G-22124-00-0-1 | |
| | | | 950-1350 | 1190 | 1 | 500 | 10 | G-22125-00-0-1 | |
| | | | 1351-1600 | 1440 | 2 | 600 | 10 | G-22127-00-0-1 | |
| | | | 1601-1850 | 1690 | 3 | 600 | 10 | G-22128-00-0-1 | |
| | | | 1851-2100 | 1940 | 3 | 980 | 10 | G-22133-00-0-1 | |
| | | | 2101-2350 | 2190 | 4 | 980 | 10 | G-22134-00-0-1 | |
| 1 | 1 | 1 | Mishandling device | | | | | | |
| | | | Axis 9 | DIN LH | 100 | 6-31657-09-L-1 | | | |
| | | | | DIN RH | 100 | 6-31657-09-R-1 | | | |
| | | | Axis 13 | DIN LH | 100 | 6-31657-13-L-1 | | | |
| | | | | DIN RH | 100 | 6-31657-13-R-1 | | | |
| 1 | 1 | 1 | T&T centre lock – bottom | | | | | | |
| | | | SRW | F-plate LC | | | | | |
| | | | 401-750 | 230 | 1 | 10 | 6-32012-00-0-1 | | |
| | | | 751-900 | 530 | 2 | 10 | 6-32076-05-0-1 | | |
| 1 | 1 | 1 | Centre lock – hinge side | | | | | | |
| | | | SRH | F-plate LC | | | | | |
| | | | 851-1100 | 530 | 1 | 10 | 6-32075-05-0-1 | | |
| | | | 1101-1350 | 740 | 1 | 10 | 6-32075-07-0-1 | | |
| | | | 1351-1850 | 1190 | 2 | 10 | 6-32075-12-0-1 | | |
| | | | 1851-2100 | 1450 | 2 | 10 | 6-32075-15-0-1 | | |
| | | | 2101-2350 | 1890 | 3 | 10 | 6-32075-19-0-1 | | |
| 1 | 2 | 3 | Sec centre lock 215, 1 LC at bottom | | | | | | |
| 2 | 3 | 4 | Sec strikers | | | | | | |
| | | | 100 (acc. to profile) | | | | | | |
| | | | Strikers – standard | | | | | | |
| | | | SRH/SRW | 401-750 | 751-900 | 100 (acc. to profile) | | | |
| | | | Pattern | 321 | 541 | 761 | 321 | 541 | 761 |
| | | | 851-1350 | 4 | 5 | 6 | 6 | 7 | 8 |
| | | | 1351-1600 | 6 | 7 | 8 | 8 | 9 | 10 |
| | | | 1601-2100 | 7 | 8 | 9 | 9 | 10 | 11 |
| | | | 2101-2350 | 9 | 10 | 11 | 11 | 12 | 13 |

[1] * = Colour: 11 = F 1/EV 1, 22 = F 2/EV 2, 3 = F 3, A = F 4, 5 = dark brown (RAL 8022), 7 = white (RAL 9016), C = titanium colour
[2] For Tilt&Turn hinge sides refer to catalogue section 'D'.

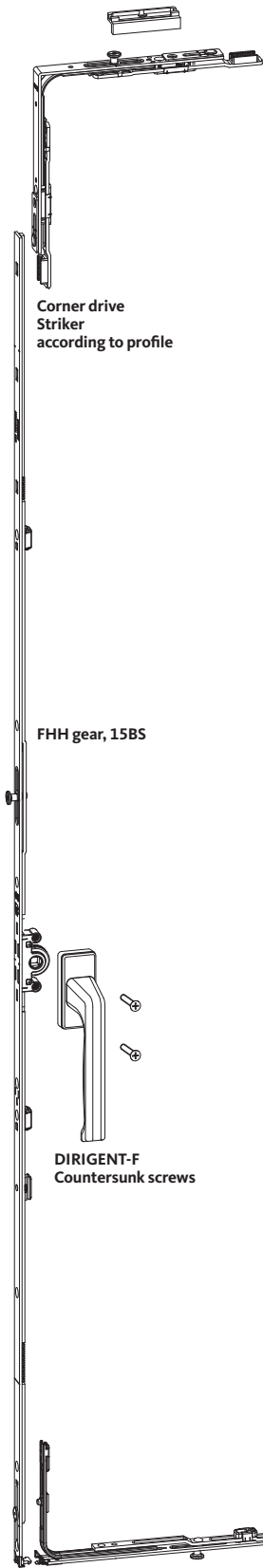
Installation drawings GU-922 0-44390
GU-925 0-41470

Fold&Slide locking system – inward-opening

Patterns 431 and 651 – Tilt&Turn passage sash [2]



Folding sash



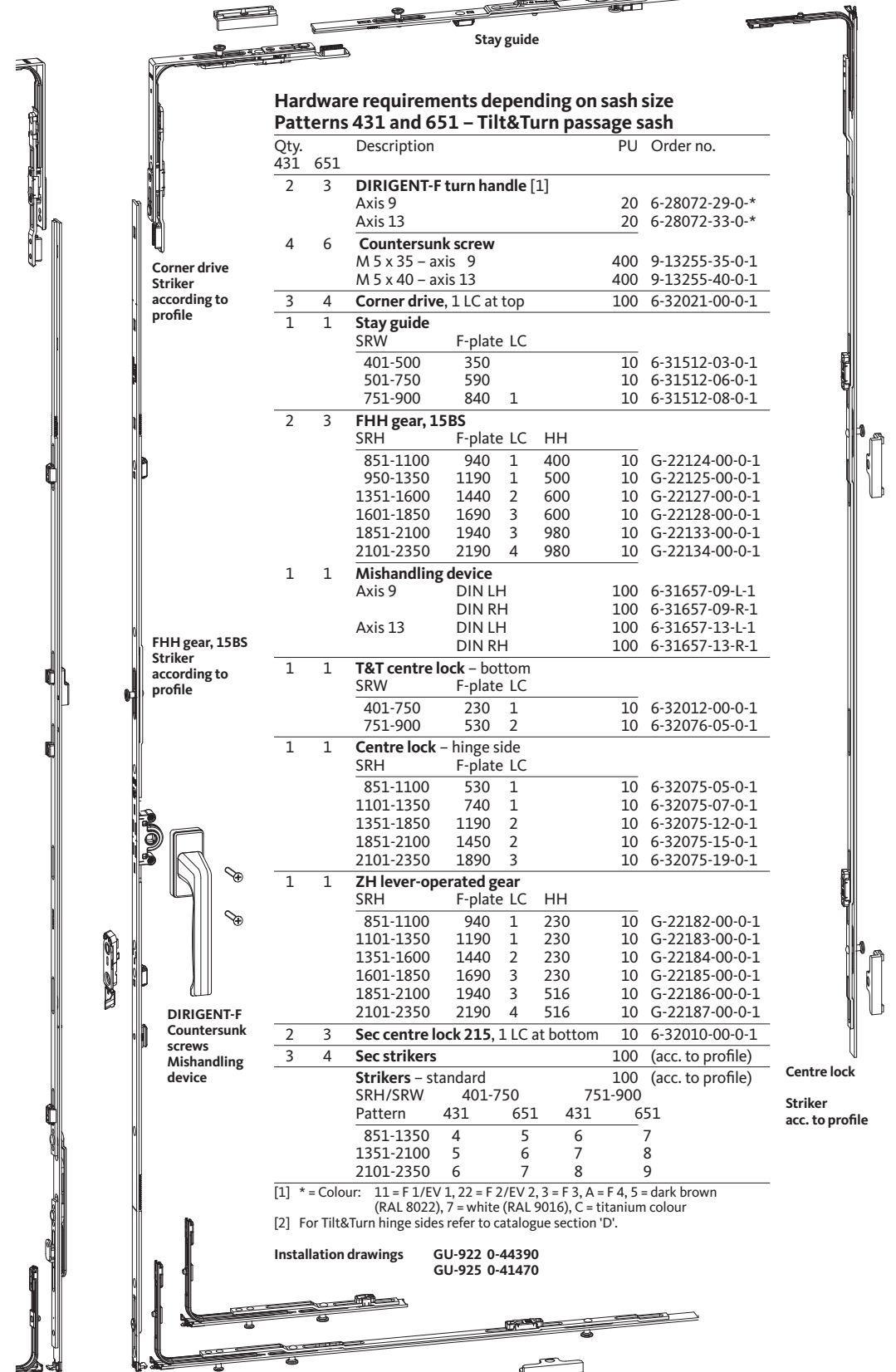
Corner drive
Striker
according to profile

FHH gear, 15BS

DIRIGENT-F
Countersunk screws

Sec centre lock 215
Sec striker acc. to profile

Passage sash



Corner drive
Striker
according to profile

FHH gear, 15BS
Striker
according to profile

DIRIGENT-F
Countersunk screws
Mishandling device

ZH lever-operated gear

T&T centre lock
Sec striker acc. to profile
tilt function

Striker acc. to profile

Stay guide

Hardware requirements depending on sash size Patterns 431 and 651 – Tilt&Turn passage sash

| Qty. | Description | PU | Order no. |
|------|-------------|--|-----------------------|
| 2 | 3 | DIRIGENT-F turn handle [1] | |
| | | Axis 9 | 20 6-28072-29-0-* |
| | | Axis 13 | 20 6-28072-33-0-* |
| 4 | 6 | Countersunk screw | |
| | | M 5 x 35 – axis 9 | 400 9-13255-35-0-1 |
| | | M 5 x 40 – axis 13 | 400 9-13255-40-0-1 |
| 3 | 4 | Corner drive, 1 LC at top | 100 6-32021-00-0-1 |
| 1 | 1 | Stay guide | |
| | | SRW F-plate LC | |
| | | 401-500 350 | 10 6-31512-03-0-1 |
| | | 501-750 590 | 10 6-31512-06-0-1 |
| | | 751-900 840 1 | 10 6-31512-08-0-1 |
| 2 | 3 | FHH gear, 15BS | |
| | | SRH F-plate LC HH | |
| | | 851-1100 940 1 400 | 10 G-22124-00-0-1 |
| | | 950-1350 1190 1 500 | 10 G-22125-00-0-1 |
| | | 1351-1600 1440 2 600 | 10 G-22127-00-0-1 |
| | | 1601-1850 1690 3 600 | 10 G-22128-00-0-1 |
| | | 1851-2100 1940 3 980 | 10 G-22133-00-0-1 |
| | | 2101-2350 2190 4 980 | 10 G-22134-00-0-1 |
| 1 | 1 | Mishandling device | |
| | | Axis 9 DIN LH | 100 6-31657-09-L-1 |
| | | DIN RH | 100 6-31657-09-R-1 |
| | | Axis 13 DIN LH | 100 6-31657-13-L-1 |
| | | DIN RH | 100 6-31657-13-R-1 |
| 1 | 1 | T&T centre lock – bottom | |
| | | SRW F-plate LC | |
| | | 401-750 230 1 | 10 6-32012-00-0-1 |
| | | 751-900 530 2 | 10 6-32076-05-0-1 |
| 1 | 1 | Centre lock – hinge side | |
| | | SRH F-plate LC | |
| | | 851-1100 530 1 | 10 6-32075-05-0-1 |
| | | 1101-1350 740 1 | 10 6-32075-07-0-1 |
| | | 1351-1850 1190 2 | 10 6-32075-12-0-1 |
| | | 1851-2100 1450 2 | 10 6-32075-15-0-1 |
| | | 2101-2350 1890 3 | 10 6-32075-19-0-1 |
| 1 | 1 | ZH lever-operated gear | |
| | | SRH F-plate LC HH | |
| | | 851-1100 940 1 230 | 10 G-22182-00-0-1 |
| | | 1101-1350 1190 1 230 | 10 G-22183-00-0-1 |
| | | 1351-1600 1440 2 230 | 10 G-22184-00-0-1 |
| | | 1601-1850 1690 3 230 | 10 G-22185-00-0-1 |
| | | 1851-2100 1940 3 516 | 10 G-22186-00-0-1 |
| | | 2101-2350 2190 4 516 | 10 G-22187-00-0-1 |
| 2 | 3 | Sec centre lock 215, 1 LC at bottom | 10 6-32010-00-0-1 |
| 3 | 4 | Sec strikers | 100 (acc. to profile) |
| | | Strikers – standard | 100 (acc. to profile) |
| | | SRH/SRW 401-750 751-900 | |
| | | Pattern 431 651 431 651 | |
| | | 851-1350 4 5 6 7 | |
| | | 1351-2100 5 6 7 8 | |
| | | 2101-2350 6 7 8 9 | |

[1] * = Colour: 11 = F 1/EV 1, 22 = F 2/EV 2, 3 = F 3, A = F 4, 5 = dark brown (RAL 8022), 7 = white (RAL 9016), C = titanium colour
[2] For Tilt&Turn hinge sides refer to catalogue section 'D'.

Installation drawings GU-922 0-44390
GU-925 0-41470

Striker
acc. to profile

Centre lock
Striker
acc. to profile

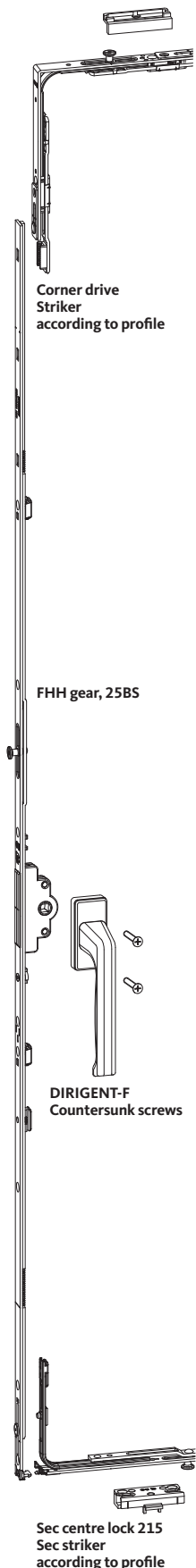
B

Fold&Slide locking system – inward-opening

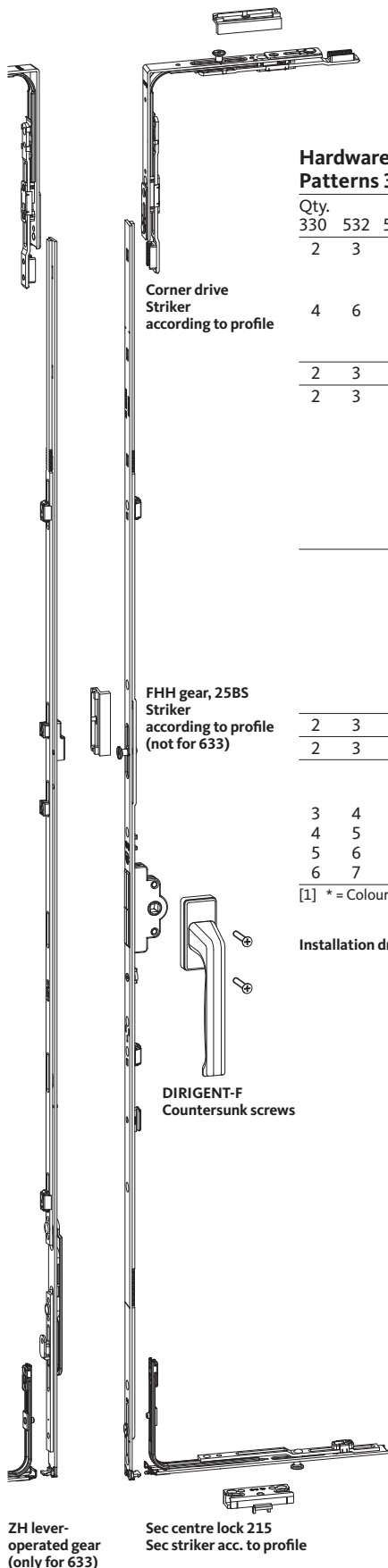
Turn handle inside, patterns 330, 532, 550, 633, 743 and 770 – Turn-Only passage sash



Folding sash



Passage sash



Hardware requirements depending on sash size Patterns 330, 532, 550, 633, 743 and 770 – Turn-Only passage sash

| Qty. | 330 | 532 | 550 | 633 | 743 | 770 | Description | PU | Order no. | | | |
|------|-----|-----|-----|-----|-----|-----|--|---------|-------------------|-----|----|----------------|
| 2 | 3 | 3 | 3 | 4 | 4 | | DIRIGENT-F turn handle [1] | | | | | |
| | | | | | | | Axis 9 | 20 | 6-28072-29-0-* | | | |
| | | | | | | | Axis 13 | 20 | 6-28072-33-0-* | | | |
| 4 | 6 | 6 | 6 | 8 | 8 | | Countersunk screw | | | | | |
| | | | | | | | M 5 x 35 – axis 9 | 400 | 9-13255-35-0-1 | | | |
| | | | | | | | M 5 x 40 – axis 13 | 400 | 9-13255-40-0-1 | | | |
| 2 | 3 | 3 | 4 | 4 | 4 | | Corner drive, 1 LC at top | 100 | 6-32021-00-0-1 | | | |
| 2 | 3 | 3 | 3 | 4 | 4 | | FHH gear, 25BS | | | | | |
| | | | | | | | SRH | F-plate | LC | HH | | |
| | | | | | | | 851-1100 | 940 | 1 | 400 | 10 | G-22790-25-0-1 |
| | | | | | | | 950-1350 | 1190 | 1 | 500 | 10 | G-22791-25-0-1 |
| | | | | | | | 1351-1600 | 1440 | 2 | 600 | 10 | G-22792-25-0-1 |
| | | | | | | | 1601-1850 | 1690 | 3 | 600 | 10 | G-22793-25-0-1 |
| | | | | | | | 1851-2100 | 1940 | 3 | 980 | 10 | G-22321-25-0-1 |
| | | | | | | | 2101-2350 | 2190 | 4 | 980 | 10 | G-22322-25-0-1 |
| | | | | | | 1 | ZH lever-operated gear | | | | | |
| | | | | | | | SRH | F-plate | LC | HH | | |
| | | | | | | | 851-1100 | 940 | 1 | 230 | 10 | G-22182-00-0-1 |
| | | | | | | | 1101-1350 | 1190 | 1 | 230 | 10 | G-22183-00-0-1 |
| | | | | | | | 1351-1600 | 1440 | 2 | 230 | 10 | G-22184-00-0-1 |
| | | | | | | | 1601-1850 | 1690 | 3 | 230 | 10 | G-22185-00-0-1 |
| | | | | | | | 1851-2100 | 1940 | 3 | 516 | 10 | G-22186-00-0-1 |
| | | | | | | | 2101-2350 | 2190 | 4 | 516 | 10 | G-22187-00-0-1 |
| 2 | 3 | 3 | 4 | 4 | 4 | | Sec centre lock 215, 1 LC at bottom | 10 | 6-32010-00-0-1 | | | |
| 2 | 3 | 3 | 4 | 4 | 4 | | Sec strikers | 100 | (acc. to profile) | | | |
| | | | | | | | Strikers – standard | 100 | (acc. to profile) | | | |
| | | | | | | | SRH | | | | | |
| 3 | 4 | 4 | 5 | 5 | 5 | | 851-1350 | | | | | |
| 4 | 5 | 5 | 6 | 6 | 6 | | 1351-1600 | | | | | |
| 5 | 6 | 6 | 7 | 7 | 7 | | 1601-2100 | | | | | |
| 6 | 7 | 7 | 8 | 8 | 8 | | 2101-2350 | | | | | |

[1] * = Colour: 11 = F 1/EV 1, 22 = F 2/EV 2, 3 = F 3, A = F 4, 5 = dark brown (RAL 8022), 7 = white (RAL 9016), C = titanium colour

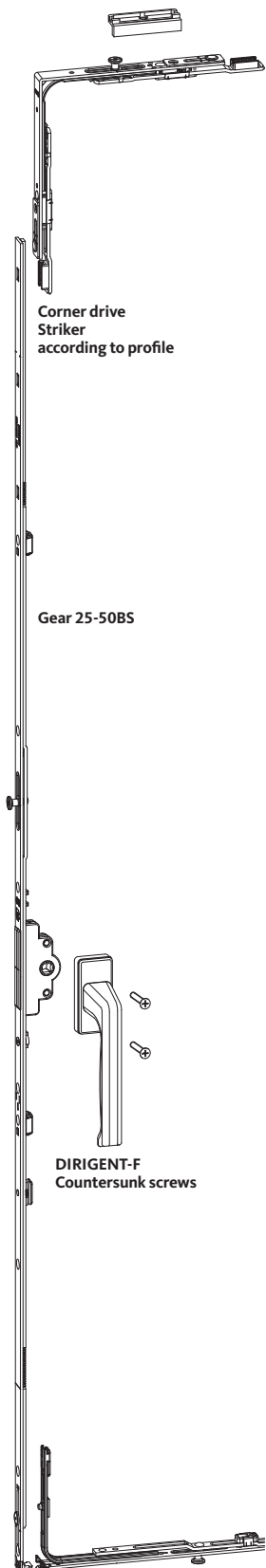
Installation drawings GU-922 0-44390
GU-925 0-41470

Fold&Slide locking system – inward-opening

PC gear, patterns 321, 541 and 761 – Tilt&Turn passage sash [4]



Folding sash



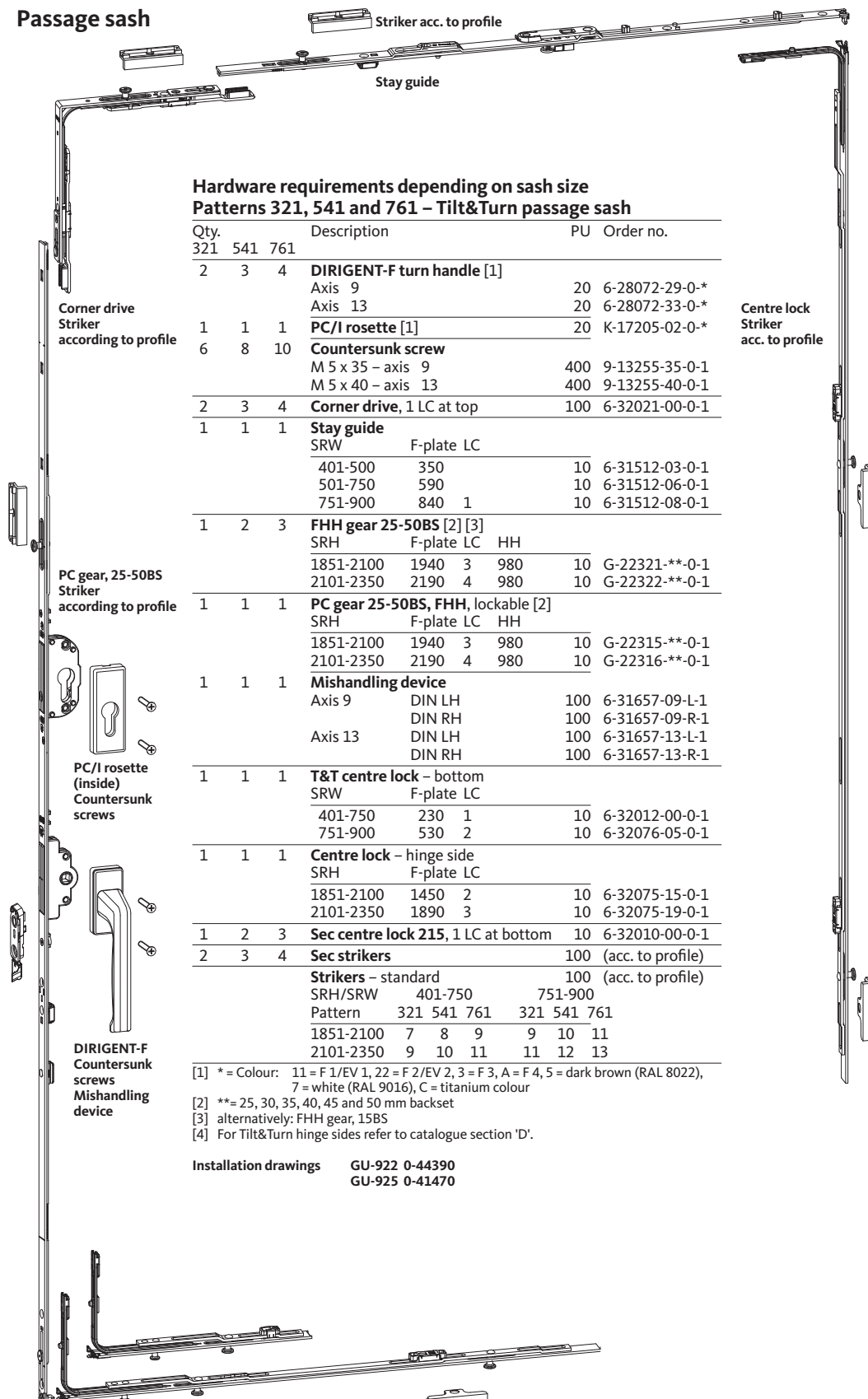
Corner drive
Striker
according to profile

Gear 25-50BS

DIRIGENT-F
Countersunk screws

Sec centre lock 215
Sec striker acc. to profile

Passage sash



Corner drive
Striker
according to profile

PC gear, 25-50BS
Striker
according to profile

PC/I rosette
(inside)
Countersunk
screws

DIRIGENT-F
Countersunk
screws
Mishandling
device

T&T centre lock
Sec striker acc. to profile
tilt function



Stay guide

Striker acc. to profile

Centre lock
Striker
acc. to profile

Hardware requirements depending on sash size Patterns 321, 541 and 761 – Tilt&Turn passage sash

| Qty. | Description | PU | Order no. |
|--------|--|-----|-------------------|
| 2 3 4 | DIRIGENT-F turn handle [1] | | |
| | Axis 9 | 20 | 6-28072-29-0-* |
| | Axis 13 | 20 | 6-28072-33-0-* |
| 1 1 1 | PC/I rosette [1] | 20 | K-17205-02-0-* |
| 6 8 10 | Countersunk screw | | |
| | M 5 x 35 – axis 9 | 400 | 9-13255-35-0-1 |
| | M 5 x 40 – axis 13 | 400 | 9-13255-40-0-1 |
| 2 3 4 | Corner drive, 1 LC at top | 100 | 6-32021-00-0-1 |
| 1 1 1 | Stay guide | | |
| | SRW F-plate LC | | |
| | 401-500 350 | 10 | 6-31512-03-0-1 |
| | 501-750 590 | 10 | 6-31512-06-0-1 |
| | 751-900 840 1 | 10 | 6-31512-08-0-1 |
| 1 2 3 | FHH gear 25-50BS [2] [3] | | |
| | SRH F-plate LC HH | | |
| | 1851-2100 1940 3 980 | 10 | G-22321-**-0-1 |
| | 2101-2350 2190 4 980 | 10 | G-22322-**-0-1 |
| 1 1 1 | PC gear 25-50BS, FHH, lockable [2] | | |
| | SRH F-plate LC HH | | |
| | 1851-2100 1940 3 980 | 10 | G-22315-**-0-1 |
| | 2101-2350 2190 4 980 | 10 | G-22316-**-0-1 |
| 1 1 1 | Mishandling device | | |
| | Axis 9 DIN LH | 100 | 6-31657-09-L-1 |
| | DIN RH | 100 | 6-31657-09-R-1 |
| | Axis 13 DIN LH | 100 | 6-31657-13-L-1 |
| | DIN RH | 100 | 6-31657-13-R-1 |
| 1 1 1 | T&T centre lock – bottom | | |
| | SRW F-plate LC | | |
| | 401-750 230 1 | 10 | 6-32012-00-0-1 |
| | 751-900 530 2 | 10 | 6-32076-05-0-1 |
| 1 1 1 | Centre lock – hinge side | | |
| | SRH F-plate LC | | |
| | 1851-2100 1450 2 | 10 | 6-32075-15-0-1 |
| | 2101-2350 1890 3 | 10 | 6-32075-19-0-1 |
| 1 2 3 | Sec centre lock 215, 1 LC at bottom | 10 | 6-32010-00-0-1 |
| 2 3 4 | Sec strikers | 100 | (acc. to profile) |
| | Strikers – standard | 100 | (acc. to profile) |
| | SRH/SRW 401-750 751-900 | | |
| | Pattern 321 541 761 321 541 761 | | |
| | 1851-2100 7 8 9 9 10 11 | | |
| | 2101-2350 9 10 11 11 12 13 | | |

[1] *= Colour: 11 = F 1/EV 1, 22 = F 2/EV 2, 3 = F 3, A = F 4, 5 = dark brown (RAL 8022), 7 = white (RAL 9016), C = titanium colour

[2] ** = 25, 30, 35, 40, 45 and 50 mm backset

[3] alternatively: FHH gear, 15BS

[4] For Tilt&Turn hinge sides refer to catalogue section 'D'.

Installation drawings GU-922 0-44390
GU-925 0-41470

Striker
acc. to profile

B

Fold&Slide locking system – inward-opening

PC gear, patterns 431 and 651 – Tilt&Turn passage sash [4]



Folding sash



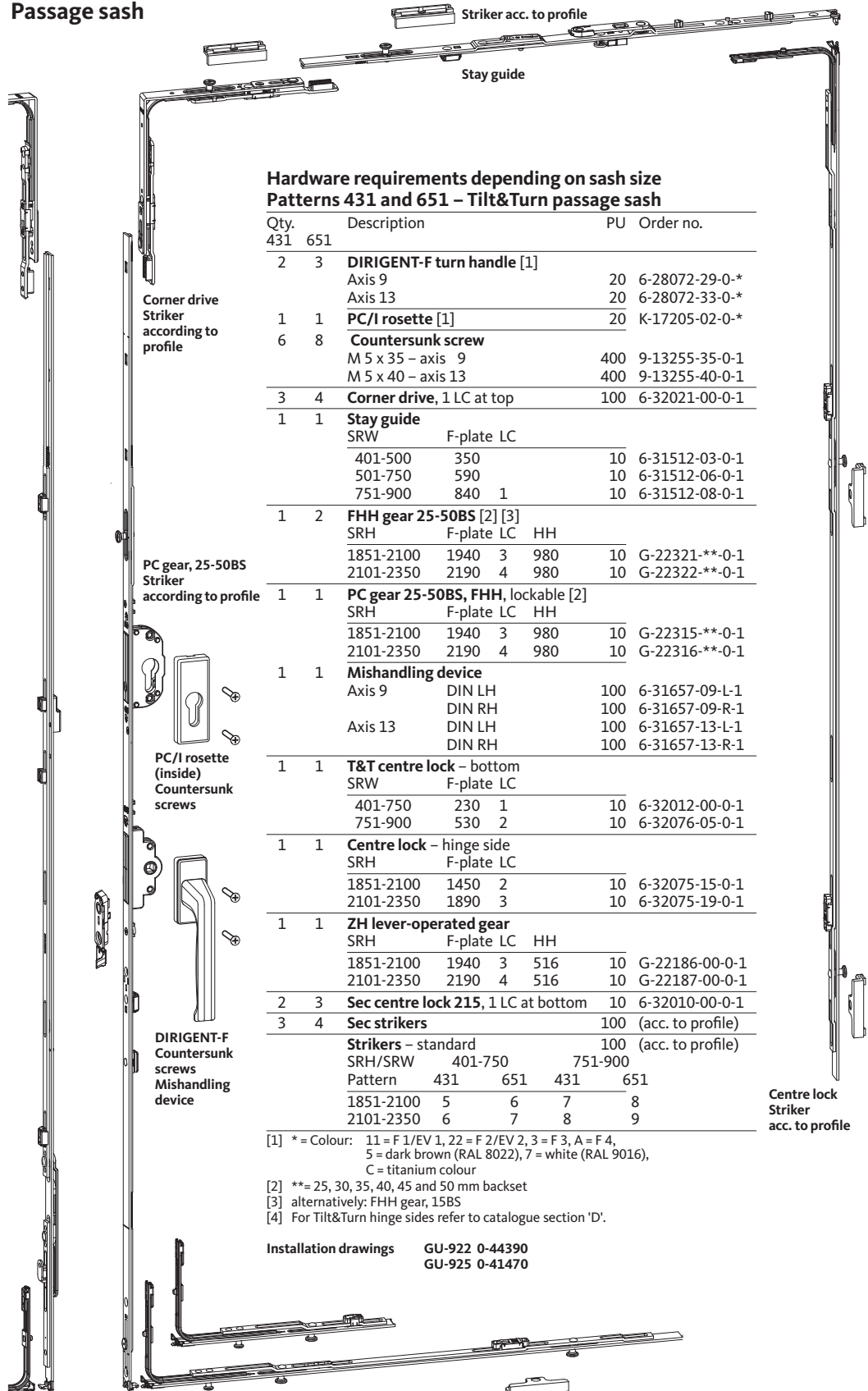
Corner drive
Striker
according to profile

Gear 25-50BS

DIRIGENT-F
Countersunk screws

Sec centre lock 215
Sec striker acc. to profile

Passage sash



Corner drive
Striker
according to profile

PC gear, 25-50BS
Striker
according to profile

PC/I rosette
(inside)
Countersunk
screws

DIRIGENT-F
Countersunk
screws
Mishandling
device

ZH lever-
operated gear

T&T centre lock
Sec striker acc. to profile
tilt function

Striker
acc. to profile

Hardware requirements depending on sash size Patterns 431 and 651 – Tilt&Turn passage sash

| Qty. | Description | PU | Order no. |
|---------|---|--------------------------|--|
| 431 651 | | | |
| 2 3 | DIRIGENT-F turn handle [1] Axis 9 Axis 13 | 20 20 | 6-28072-29-0-* 6-28072-33-0-* |
| 1 1 | PC/I rosette [1] | 20 | K-17205-02-0-* |
| 6 8 | Countersunk screw M 5 x 35 – axis 9 M 5 x 40 – axis 13 | 400 400 | 9-13255-35-0-1 9-13255-40-0-1 |
| 3 4 | Corner drive, 1 LC at top | 100 | 6-32021-00-0-1 |
| 1 1 | Stay guide SRW F-plate LC | | |
| | 401-500 350 | 10 | 6-31512-03-0-1 |
| | 501-750 590 | 10 | 6-31512-06-0-1 |
| | 751-900 840 1 | 10 | 6-31512-08-0-1 |
| 1 2 | FHH gear 25-50BS [2] [3] SRH F-plate LC HH | | |
| | 1851-2100 1940 3 980 | 10 | G-22321-**-0-1 |
| | 2101-2350 2190 4 980 | 10 | G-22322-**-0-1 |
| 1 1 | PC gear 25-50BS, FHH, lockable [2] SRH F-plate LC HH | | |
| | 1851-2100 1940 3 980 | 10 | G-22315-**-0-1 |
| | 2101-2350 2190 4 980 | 10 | G-22316-**-0-1 |
| 1 1 | Mishandling device Axis 9 Axis 13 | 100 100 100 100 | 6-31657-09-L-1 6-31657-09-R-1 6-31657-13-L-1 6-31657-13-R-1 |
| 1 1 | T&T centre lock – bottom SRW F-plate LC | | |
| | 401-750 230 1 | 10 | 6-32012-00-0-1 |
| | 751-900 530 2 | 10 | 6-32076-05-0-1 |
| 1 1 | Centre lock – hinge side SRH F-plate LC | | |
| | 1851-2100 1450 2 | 10 | 6-32075-15-0-1 |
| | 2101-2350 1890 3 | 10 | 6-32075-19-0-1 |
| 1 1 | ZH lever-operated gear SRH F-plate LC HH | | |
| | 1851-2100 1940 3 516 | 10 | G-22186-00-0-1 |
| | 2101-2350 2190 4 516 | 10 | G-22187-00-0-1 |
| 2 3 | Sec centre lock 215, 1 LC at bottom | 10 | 6-32010-00-0-1 |
| 3 4 | Sec strikers | 100 | (acc. to profile) |
| | Strikers – standard | 100 | (acc. to profile) |
| | SRH/SRW 401-750 751-900 | | |
| | Pattern 431 651 431 651 | | |
| | 1851-2100 5 6 7 8 | | |
| | 2101-2350 6 7 8 9 | | |

[1] * = Colour: 11 = F 1/EV 1, 22 = F 2/EV 2, 3 = F 3, A = F 4,
5 = dark brown (RAL 8022), 7 = white (RAL 9016),
C = titanium colour

[2] ** = 25, 30, 35, 40, 45 and 50 mm backset
[3] alternatively: FHH gear, 15BS

[4] For Tilt&Turn hinge sides refer to catalogue section 'D'.

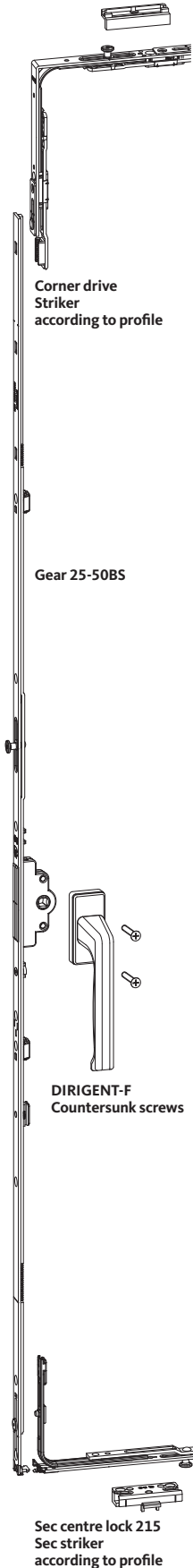
Installation drawings GU-922 0-44390
GU-925 0-41470

Fold&Slide locking system – inward-opening

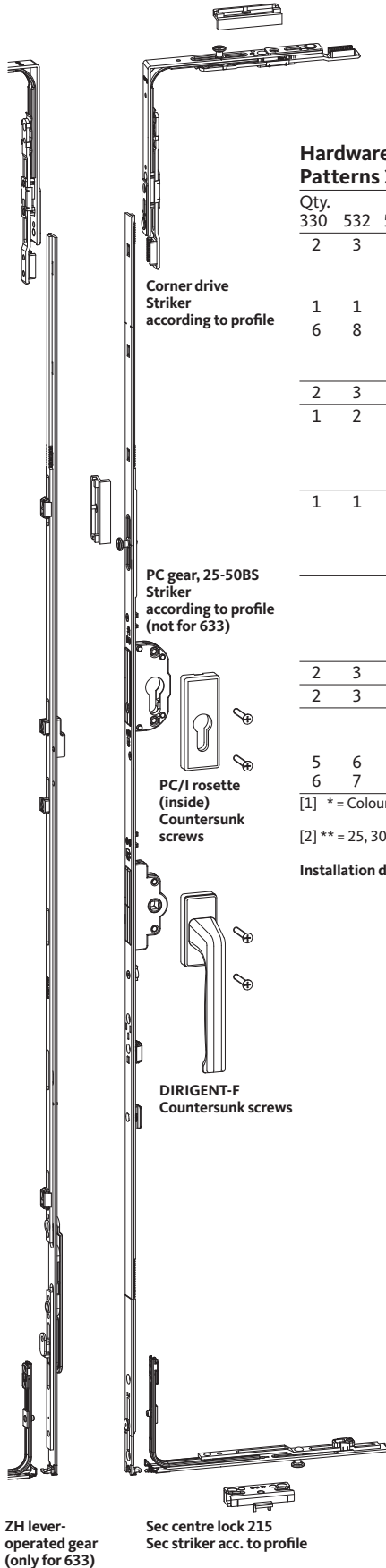
PC gear, patterns 330, 532, 550, 633, 743 and 770 – Turn-Only passage sash



Folding sash



Passage sash



Hardware requirements depending on sash size Patterns 330, 532, 550, 633, 743 and 770 – Turn-Only passage sash

| Qty. | | | | | | Description | PU | Order no. |
|------|-----|-----|-----|-----|-----|--|-----|-------------------|
| 330 | 532 | 550 | 633 | 743 | 770 | | | |
| 2 | 3 | 3 | 3 | 4 | 4 | DIRIGENT-F turn handle [1] Axis 9 | 20 | 6-28072-29-0-* |
| | | | | | | Axis 13 | 20 | 6-28072-33-0-* |
| 1 | 1 | 1 | 1 | 1 | 1 | PC/I rosette [1] | 20 | K-17205-02-0-* |
| 6 | 8 | 8 | 8 | 10 | 10 | Countersunk screw M 5 x 35 – axis 9 | 400 | 9-13255-35-0-1 |
| | | | | | | M 5 x 40 – axis 13 | 400 | 9-13255-40-0-1 |
| 2 | 3 | 3 | 4 | 4 | 4 | Corner drive, 1 LC at top | 100 | 6-32021-00-0-1 |
| 1 | 2 | 2 | 2 | 3 | 3 | FHH gear 25-50BS [2] SRH F-plate LC HH | | |
| | | | | | | 1851-2100 1940 3 980 | 10 | G-22321-**-0-1 |
| | | | | | | 2101-2350 2190 4 980 | 10 | G-22322-**-0-1 |
| 1 | 1 | 1 | 1 | 1 | 1 | PC gear 25-50BS, FHH, lockable [2] SRH F-plate LC HH | | |
| | | | | | | 1851-2100 1940 3 980 | 10 | G-22315-**-0-1 |
| | | | | | | 2101-2350 2190 4 980 | 10 | G-22316-**-0-1 |
| | | | 1 | | | ZH lever-operated gear SRH F-plate LC HH | | |
| | | | | | | 1851-2100 1940 3 516 | 10 | G-22186-00-0-1 |
| | | | | | | 2101-2350 2190 4 516 | 10 | G-22187-00-0-1 |
| 2 | 3 | 3 | 4 | 4 | 4 | Sec centre lock 215, 1 LC at bottom | 10 | 6-32010-00-0-1 |
| 2 | 3 | 3 | 4 | 4 | 4 | Sec strikers | 100 | (acc. to profile) |
| | | | | | | Strikers – standard SRH | 100 | (acc. to profile) |
| 5 | 6 | 6 | 7 | 7 | 7 | 1851-2100 | | |
| 6 | 7 | 7 | 8 | 8 | 8 | 2101-2350 | | |

[1] * = Colour: 11 = F 1/EV 1, 22 = F 2/EV 2, 3 = F 3, A = F 4, 5 = dark brown (RAL 8022), 7 = white (RAL 9016), C = titanium colour

[2] ** = 25, 30, 35, 40, 45 and 50 mm backset

Installation drawings GU-922 0-44390
GU-925 0-41470

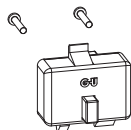
B

GU-922 bogies, profiles and hinges

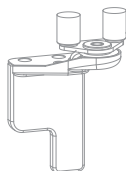
Inward-opening – bottom-running



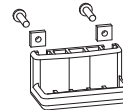
End cap 9-32532-00-0*
P 1381 guide track
P 1226 cover rail



Folding catch
Spax cylinder
screw



Guide roller
6-25336-00-0-1
Pivot rest
6-25337-00-R-1
End cap
9-32513-00-R*

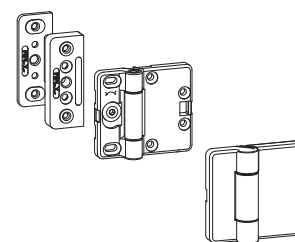


Support
Fillister head
screw
Square nut



Hardware requirements depending on sash size and sash configuration GU-922, inward-opening – bottom-running

| Qty. | 321 | 330 | 431 | 541 | 550 | 532 | 651 | 633 | 761 | 770 | 743 | Description | PU | Order no. |
|------|-----|-----|-----|-----|-----|-----|-----|-----|-----|-----|-----|---|----|--|
| 1 | 1 | 1 | 2 | 2 | 2 | 2 | 2 | 2 | 3 | 3 | 3 | GU-922 basic hardware set [1] Contents 1 bogie 1 LH pivot rest 1 LH cover | 1 | K-13204-00-0* |
| | | | | | | | | | | | | 1 guide roller 1 RH pivot rest 1 RH cover | | |
| 2 | 1 | 2 | 2 | 1 | 2 | 2 | 2 | 2 | 1 | 2 | | GU-922/925 sash hinges set – frame 17/40 17/45 25/45 | 1 | K-17198-01-0-1 K-17198-03-0-1 K-17199-00-0-1 |
| [2] | [2] | [2] | [2] | | [2] | [2] | [2] | [2] | | | | Contents 3 sash hinges, long 3 sash hinges, short 3 pins | | |
| 1 | 2 | 2 | 3 | 4 | 3 | 4 | 4 | 4 | 5 | 6 | 5 | GU-922/925 sash hinges set 17/40 17/45 25/45 17/17 | 1 | K-13205-01-0-1 K-13205-03-0-1 K-13812-00-0-1 K-13813-00-0-1 |
| | | | | | | | | | | | | Contents 3 sash hinges, long 3 sash hinges, short 3 pins | | |
| 2 | 1 | 2 | 2 | 1 | 2 | 2 | 2 | 2 | 1 | 2 | | Packer set [1] for sash hinge | 1 | K-14088-00-0* |
| [2] | [2] | [2] | [2] | | [2] | [2] | [2] | [2] | | | | | | |
| 3 | 3 | 4 | 5 | 5 | 5 | 6 | 6 | 7 | 7 | 7 | | GU-922/925 covers set [1] for sash hinges '17/40', '17/45' for sash hinge '25/45' for sash hinge '17/17' | 1 | K-15392-00-0* K-15399-00-0* K-15393-00-0* |
| [2] | [2] | [2] | [2] | | [2] | [2] | [2] | [2] | | | | Contents 3 covers, long 3 covers, short | | |
| 1 | 1 | 1 | 1 | 1 | 1 | 1 | 1 | 1 | 1 | 1 | 1 | GU-922 profiles set [1] Contents 1 P 1213 roller track 1 P 1381 guide track 1 P 1226 cover rail 2 end caps TFW, mm -2960 2961-3960 3961-5000 5001-6700 | 1 | K-13206-30-0* K-13206-40-0* K-13206-50-0* K-13206-67-0* |
| | | | | | | | | | | | | | | |
| - | 1 | 1 | - | 1 | 1 | 1 | 2 | - | 1 | 1 | | GU-922/925 folding catch set [1] Contents 1 folding catch 1 support 2 Spax cylinder screws 5 x 30 2 fillister head screws M 5 x 20 2 square nuts M 5 | 1 | K-13334-00-0* |

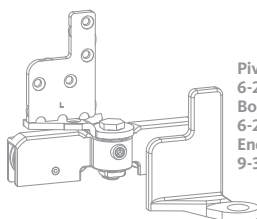


Packer for sash hinge
Sash hinge, long
Sash hinge, short
Pin
Cover, long
Cover, short

[1] * = Colour: 1 = F 1/EV 1, 2 = F 2/EV 2, 3 = brass colour, 4 = UC 3, 5 = UC 5, 7 = white (RAL 9016)
[2] If the passage sash is to be Tilt&Turn instead of Turn-Only, each 1 sash hinges set FH, 1 packer set and 1 covers set is required less.

Installation drawing 0-44390

P 1213 roller track



Pivot rest
6-25337-00-L-1
Bogie
6-25334-00-0*
End cap
9-32513-00-L*

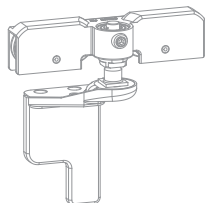


GU-925 bogies, profiles and hinges

Inward-opening – top-running



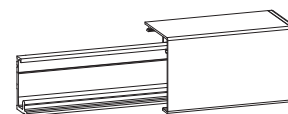
LH end cap 9-32740-00-L-*
P 1391 cover rail
P 1213 roller track



Bogie
6-25436-00-0-*
Pivot rest
6-25337-00-L-1
End cap
9-32513-00-L-*



Support
9-32741-00-0-0



P 1213 roller track
P 1391 cover rail
LH end cap 9-32740-00-R-*

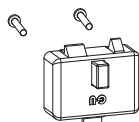
Hardware requirements depending on sash size and sash configuration GU-925, inward-opening – top-running

| Qty. | 321 | 330 | 431 | 541 | 550 | 532 | 651 | 633 | 761 | 770 | 743 | Description | PU | Order no. |
|------|-----|-----|-----|-----|-----|-----|-----|-----|-----|-----|-----|--|----|--|
| 1 | 1 | 1 | 2 | 2 | 2 | 2 | 2 | 2 | 3 | 3 | 3 | GU-925 basic hardware set [1] Contents 1 bogie 1 LH pivot rest 1 LH cover | 1 | K-13269-00-0-* |
| | | | | | | | | | | | | 1 guide roller 1 RH pivot rest 1 RH cover | | |
| 2 | 1 | 2 | 2 | 1 | 2 | 2 | 2 | 2 | 1 | 2 | | GU-922/925 sash hinges set – frame 17/40 17/45 25/45 | 1 | K-17198-01-0-1 K-17198-03-0-1 K-17199-00-0-1 |
| [2] | [2] | [2] | [2] | | [2] | [2] | [2] | | | | | Contents 3 sash hinges, long 3 sash hinges, short 3 pins | | |
| 1 | 2 | 2 | 3 | 4 | 3 | 4 | 4 | 4 | 5 | 6 | 5 | GU-922/925 sash hinges set 17/40 17/45 25/45 17/17 | 1 | K-13205-01-0-1 K-13205-03-0-1 K-13812-00-0-1 K-13813-00-0-1 |
| | | | | | | | | | | | | Contents 3 sash hinges, long 3 sash hinges, short 3 pins | | |
| 2 | 1 | 2 | 2 | 1 | 2 | 2 | 2 | 2 | 1 | 2 | | Packer set [1] for sash hinge | 1 | K-14088-00-0-* |
| [2] | [2] | [2] | [2] | | [2] | [2] | [2] | | | | | | | |
| 3 | 3 | 4 | 5 | 5 | 5 | 6 | 6 | 7 | 7 | 7 | | GU-922/925 covers set [1] for sash hinges '17/40', '17/45' for sash hinge '25/45' for sash hinge '17/17' | 1 | K-15392-00-0-* |
| [2] | [2] | [2] | [2] | | [2] | [2] | [2] | | | | | Contents 3 covers, long 3 covers, short | 1 | K-15399-00-0-* |
| | | | | | | | | | | | | | | K-15393-00-0-* |
| 1 | 1 | 1 | 1 | 1 | 1 | 1 | 1 | 1 | 1 | 1 | | GU-925 profiles set [1] Contents 1 P 1213 roller track 1 P 1226 cover rail 1 P 1391 cover rail 1 LH end cap 2 supports | 1 | K-13272-30-0-* |
| | | | | | | | | | | | | TFW, mm -2960 2961-3960 3961-5000 5001-6700 | 1 | K-13272-40-0-* |
| | | | | | | | | | | | | | | K-13272-50-0-* |
| | | | | | | | | | | | | | | K-13272-67-0-* |
| - | 1 | 1 | - | 1 | 1 | 1 | 2 | - | 1 | 1 | | GU-922/925 folding catch set [1] Contents 1 folding catch 1 support 2 Spax cylinder screw 5 x 30 2 fillister head screws M 5 x 20 2 square nuts M 5 | 1 | K-13334-00-0-* |

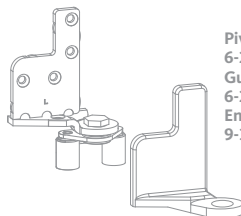
[1] * = Colour: 1 = F 1/EV 1, 2 = F 2/EV 2, 3 = brass colour, 4 = UC 3, 5 = UC 5, 7 = white (RAL 9016)
[2] If the passage sash is to be Tilt&Turn instead of Turn-Only, each 1 sash hinges set FH, 1 packer set and 1 covers set is required less.

Installation drawing 0-41490 / 0-44500

P 1381 guide track
P 1226 cover rail



Spax cylinder screw
Folding catch



Pivot rest
6-25337-00-R-1
Guide roller
6-25336-00-0-1
End cap
9-32513-00-R-*



Fillister head screw
Square nut
Support

P 1381 guide track
P 1226 cover rail



B



Drilling jigs and templates for GU-922, GU-925

| Application | Description | PU | Order no. |
|---|---|----|----------------|
| Assembly of pivot rest | Drilling jig for pivot rest | 1 | 6-25370-00-0-9 |
| Assembly of sash hinges | Drilling jig for sash hinges sets K-13205-01 and K-13290-01, sash hinges set – frame K-17198-01 | 1 | 6-25369-00-0-9 |
| | Drilling jig for sash hinges set K-13205-03, sash hinges set – frame K-17198-03 | 1 | 6-25996-03-0-0 |
| | Drilling jig for sash hinges set K-13812-00, sash hinges set – frame K-17199-00 | 1 | 6-25996-02-0-0 |
| | Drilling jig for sash hinges set K-13813-00 | 1 | 6-25996-01-0-0 |
| | Rod for drilling jig 6-25369/6-25695 | 1 | 9-32596-00-0-1 |
| | Stop for rod 9-32596 | 1 | 6-25371-00-0-9 |
| Assembly of roller track and guide track | Drilling jig for roller track and guide track | 1 | 6-23616-00-0-1 |
| Assembly of folding catch | Drilling jig for folding catch | 1 | 6-25575-00-0-9 |

Fold&Slide hardware

Sash hinges and strikers for PVC windows and balcony-doors according to profile system



PVC profile systems [1]

| | Z-shaped sash profile | T-shaped sash profile | Frame profile | Frame profile | Dummy mullion | Axis mm | Installation drawing GU-922 | Sash hinge set frame PU = 1 | Sash hinge set outside PU = 1 | Sash hinge set inside PU = 1 | Striker frame PU = 100 | Sec striker frame, bottom "basic security" PU = 100 | Striker dummy mullion PU = 100 | Sec striker dummy mullion PU = 100 |
|----------------------------|-----------------------|-----------------------|---------------|---------------|---------------|---------|-----------------------------|-----------------------------|-------------------------------|------------------------------|------------------------|---|--------------------------------|------------------------------------|
| Accord Contour 7.0 MD | A.FL 02 | | A.RA 02 | | A.ST 02 | 13.0 | 0-43579-1 | K-17198-01-0-1 | K-13205-01-0-1 | K-13205-01-0-1 | 9-38620-00-0-1 | 6-27831-05-0-1 | E-13534-12-0-1 | G-27831-23-0-1 |
| Accord Contour 7.0 MD | A.FL 02 | | A.RA 02 | | A.ST 01 | 13.0 | 0-43659-1 | K-17198-01-0-1 | K-13205-01-0-1 | K-13205-01-0-1 | 9-38620-00-0-1 | 6-27831-05-0-1 | E-13534-12-0-1 | G-27831-23-0-1 |
| Alphacan Esthea | 53/03 | | 53/45 | | 53/32 | 13.0 | 0-43644-1 | K-17198-01-0-1 | K-13205-01-0-1 | K-13205-01-0-1 | E-18104-00-0-1 | | E-18108-00-0-1 | G-27831-23-0-1 |
| Alphacan Profilia 600 | PE 336 | | PF 089 | | PE 380 | 9.0 | | K-17198-03-0-1 | K-13205-03-0-1 | K-13205-03-0-1 | 9-30146-06-0-1 | 6-27674-07-0-1 | 9-30146-06-0-1 | |
| Aluplast Ideal 2000 | 120030 | 120031 | 120003 | | 120201 | 13.0 | 0-43171-1 | K-17199-00-0-1 | K-13812-00-0-1 | K-13812-00-0-1 | 9-34907-00-0-1 | 6-27831-05-0-1 | 9-30146-23-0-1 | G-27831-23-0-1 |
| Aluplast Ideal 4000 | 140 033 | 140 035 | 140 002 | | 140 066 | 13.0 | 0-44291-1 | K-17198-03-0-1 | K-13812-00-0-1 | K-13812-00-0-1 | 9-38218-00-0-1 | 6-31067-01-0-1 | E-13534-12-0-1 | G-27831-23-0-1 |
| Aluplast Signum 21 | 70 | 71 | 74 | | 4143 | 9.0 | 0-42385-1 | K-17198-03-0-1 | K-13205-03-0-1 | K-13812-00-0-1 | 9-30146-04-0-1 | 6-27674-17-0-1 | 9-30146-23-0-1 | |
| Aluplast Signum 25 | 2539 | | 2535 | | 2550 | 13.0 | 0-43313-1 | K-17198-01-0-1 | K-13812-00-0-1 | K-13205-01-0-1 | 9-35770-00-0-1 | 6-27831-02-0-1 | 9-30146-23-0-1 | G-27831-23-0-1 |
| Aluplast Signum 26 | 2611 | | 2602 | | 2630 | 13.0 | 0-43452-1 | K-17198-01-0-1 | K-13813-00-0-1 | K-13205-01-0-1 | E-19225-01-0-1 | 6-27831-48-0-1 | E-13534-12-0-1 | G-27831-23-0-1 |
| Atrya (Tryba) T 62 | BL 105 | | NL 100 | | ME 200 | 9.0 | TR-001-FZ | K-17198-01-0-1 | K-13205-01-0-1 | K-13205-01-0-1 | E-16237-00-0-1 | | E-13534-12-0-1 | |
| Brüggmann 81 | HF 401 | HF 401 | HF 431 | | HF 438 | 9.0 | 0-42002-1 | K-17198-01-0-1 | K-13205-01-0-1 | K-13813-00-0-1 | 9-32616-00-0-1 | 6-27674-04-0-1 | 9-30146-22-0-1 | |
| Brüggmann AD | HP 153 | HP 154 | HP 104 | | HP 350 | 13.0 | 0-44182-1 | K-17199-00-0-1 | K-13812-00-0-1 | K-13812-00-0-1 | 9-34907-00-0-1 | 6-27831-05-0-1 | E-13534-12-0-1 | G-27831-23-0-1 |
| Climabaie | 739106 | 739108 | 739101 | | 739127 | | 0-42059-1 | K-17198-01-0-1 | K-13205-01-0-1 | K-13205-01-0-1 | 9-30146-02-0-1 | | 9-30146-02-0-1 | |
| Deceuninck 1800 | P 1806 | P 1810 | P 1801 | | P 403 | 9.0 | 0-43540-1 | K-17198-01-0-1 | K-13205-01-0-1 | K-13205-01-0-1 | 9-36544-00-0-1 | 6-27674-14-0-1 | E-15745-00-0-1 | |
| Deceuninck Mondial | P 2020 | P 1134 | P 2002 | | P 2040 | 13.0 | 0-43267-1 | K-17199-00-0-1 | K-13812-00-0-1 | K-13812-00-0-1 | 9-35737-00-0-1 | 6-27831-31-0-1 | 9-30146-23-0-1 | G-27831-23-0-1 |
| Deceuninck Zendow | 3042 | 3062 | 3002 | | 3079 | 13.0 | 0-44301-1 | K-17198-03-0-1 | K-13205-03-0-1 | K-13205-03-0-1 | 9-35508-00-0-1 | 6-27831-47-0-1 | E-13534-12-0-1 | G-27831-23-0-1 |
| Deceuninck Zendow | 3042 | | 3002 | | 3079 | 13.0 | 0-44784-1 | K-17198-03-0-1 | K-13205-03-0-1 | K-13205-03-0-1 | 9-35508-00-0-1 | 6-27831-47-0-1 | E-13534-12-0-1 | G-27831-23-0-1 |
| Dimex Komfort | 210 600 | 211 000 | 210 500 | | 220 200 | 13.0 | | K-17199-00-0-1 | K-13812-00-0-1 | K-13812-00-0-1 | 9-34907-00-0-1 | 6-27831-08-0-1 | E-13534-12-0-1 | G-27831-23-0-1 |
| Europlast 7000 | | | | | | | | | | | 9-30146-09-0-1 | | 9-30146-09-0-1 | |
| Gealan S 3000 | 3090 | 3077 | 3011 | | 3301 | 13.0 | 0-43321-1 | K-17198-01-0-1 | K-13205-01-0-1 | K-13205-01-0-1 | 9-35858-00-0-1 | 6-27831-04-0-1 | 9-35858-00-0-1 | G-27831-23-0-1 |
| Gealan S 8000 | 8081 | 8078 | 8011 | | 8080 | 13.0 | 0-44226-1 | K-17198-01-0-1 | K-13205-01-0-1 | K-13205-01-0-1 | 9-35858-00-0-1 | 6-27831-04-0-1 | E-13534-12-0-1 | G-27831-23-0-1 |
| Helmitin A60 | 4-60061 | 4-60060 | 4-60059 | 4-61108 | 4-61104 | 13.0 | 0-41520-1 | K-17198-01-0-1 | K-13205-01-0-1 | K-13205-01-0-1 | 9-30146-12-0-1 | | 9-30146-12-0-1 | |
| Helmitin KS | 4-60132 | 4-60128 | 4-60111 | 4-61108 | 4-60131 | 13.0 | 0-42918-1 | K-17198-01-0-1 | K-13205-01-0-1 | K-13205-01-0-1 | 9-35714-00-0-1 | 6-27831-01-0-1 | 9-35714-00-0-1 | G-27831-23-0-1 |
| Helmitin KSL | 4-60190 | 4-60191 | 4-60180 | | 4-60202 | 13.0 | 0-43614-1 | K-17198-01-0-1 | K-13205-01-0-1 | K-13205-01-0-1 | 9-35714-00-0-1 | 6-27831-01-0-1 | E-13534-12-0-1 | G-27831-23-0-1 |
| Inoutic AD | Z10 | TS 10 | L10 | | SFZ 10 | 13.0 | 0-43164-1 | K-17199-00-0-1 | K-13812-00-0-1 | K-13812-00-0-1 | 9-34492-00-0-1 | 6-27831-03-0-1 | 9-30146-23-0-1 | G-27831-23-0-1 |
| Inoutic Kompakt | Z 1 | TS 2 | L 3 | KP 9 | SFZ 1 | 9.0 | 0-41461-1 | K-17198-03-0-1 | K-13205-03-0-1 | K-13205-03-0-1 | 9-31755-00-0-1 | | 9-30146-02-0-1 | |
| Intertec (Greiner) | GF 1020 | | GR 1001 | | GS 1050 | 9.0 | 0-43372-1 | K-17198-01-0-1 | K-13205-01-0-1 | K-13205-01-0-1 | 9-31115-00-0-1 | | 8-00975-00-0-1 | |
| Intertec WD 70(Greiner) | 140020 | 140001 | | | 140050 | 13.0 | | | | | 9-38634-00-0-1 | | E-13534-12-0-1 | |
| Isoferm | GA 301 | GA 306 | GA 304 | | G 309 | 9.0 | 0-42071-1 | K-17198-01-0-1 | K-13205-01-0-1 | K-13205-01-0-1 | 9-30147-00-0-1 | | 9-30147-00-0-1 | |
| LB.Profile PAD | AZ 2-3 | AT 20-3 | AL 2-3 | | AS 1 | 13.0 | 0-43226-1 | K-17199-00-0-1 | K-13812-00-0-1 | K-13812-00-0-1 | 9-34907-00-0-1 | | 9-34907-00-0-1 | |
| Lucobay | 21/03 | 21/02 | 41/03 | | 21/32 | 13.0 | F-42283-1 | K-17198-01-0-1 | K-13205-01-0-1 | K-13205-01-0-1 | | | | |
| MS | 1562 | 1567 | 1552 | | | 13.0 | 0-43375-1 | K-17199-00-0-1 | K-13812-00-0-1 | K-13812-00-0-1 | 9-37135-00-0-1 | | E-13534-12-0-1 | |
| Plastmo 2000 | 5032040 | 5032060 | 5032025 | | 5032085 | 9.0 | 0-42356-1 | K-17198-03-0-1 | K-13205-03-0-1 | K-13205-03-0-1 | 9-30146-12-0-1 | | 9-30146-12-0-1 | |
| Plustec Softline | FR 60 V | SF 85 V | BR 76 | | ST 61 | 13.0 | 0-43683-1 | K-17199-00-0-1 | K-13812-00-0-1 | K-13812-00-0-1 | 9-37135-00-0-1 | 6-31067-06-0-1 | 9-38319-00-0-1 | G-27831-23-0-1 |
| Profel | P 602 | | P 601 | | | | | | | | 9-30146-16-0-1 | 6-27674-57-0-1 | | |
| Profine Eurodur 3S | 1414 | 1418 | 1402 | 1272 | 1441 | 13.0 | 0-42039-1 | K-17198-01-0-1 | K-13205-01-0-1 | K-13205-01-0-1 | 9-33802-00-0-1 | 6-27831-01-0-1 | 9-30146-11-0-1 | G-27831-23-0-1 |
| Profine EuroFutur Elegance | 0114.1 | 118 | 102 | | 0141.1 | 13.0 | 0-44334-1 | K-17198-01-0-1 | K-13205-01-0-1 | K-13205-01-0-1 | 9-33802-00-0-1 | 6-27831-01-0-1 | E-13534-12-0-1 | G-27831-23-0-1 |
| Profine Innonova 2000 | 522 100 | 522 200 | 510 200 | | 532 100 | 13.0 | 0-44237-1 | K-17198-03-0-1 | K-13205-03-0-1 | K-13205-03-0-1 | 9-41716-00-0-1 | 6-27674-42-0-1 | E-13534-12-0-1 | |
| Profine Innonova 70 AD | 622140 | 622230 | 610230 | | 632200 | 13.0 | | K-17198-03-0-1 | K-13205-03-0-1 | K-13205-03-0-1 | 9-37137-00-0-1 | 6-27831-40-0-1 | 9-30146-23-0-1 | G-27831-23-0-1 |
| Profine KBE 70 AD | 373 | 379 | 370 | 360 | 386 | 13.0 | 0-44282-1 | K-17198-03-0-1 | K-13812-00-0-1 | K-13812-00-0-1 | 9-35508-00-0-1 | 6-31067-03-0-1 | E-13534-12-0-1 | G-27831-23-0-1 |

Slide-fold fittings

Sash hinges and strikers for PVC windows and balcony-doors according to profile system



| PVC profile systems [1] | Z-shaped sash profile | T-shaped sash profile | Frame profile | Frame profile | Dummy mullion | Axis mm | Installation drawing GU-922 | Sash hinge set frame PU = 1 | Sash hinge set outside PU = 1 | Sash hinge set inside PU = 1 | Striker frame PU = 100 | Sec striker frame, bottom "basic security" PU = 100 | Striker dummy mullion PU = 100 | Sec striker dummy mullion PU = 100 |
|-------------------------|-----------------------|-----------------------|---------------|---------------|---------------|---------|-----------------------------|-----------------------------|-------------------------------|------------------------------|------------------------|---|--------------------------------|------------------------------------|
| Profine KBE AD | 318 | 132 | 306 | 144 | 134 | 9.0 | 0-42042-1 | K-17199-00-0-1 | K-13812-00-0-1 | K-13812-00-0-1 | E-14339-00-0-1 | 6-27674-05 -0-1 | E-14339-00-0-1 | |
| Profine Tritec | P 1472 | P 1178 | P 1470 | | P 1658 | 9.0 | 0-43301-1 | K-17198-01-0-1 | K-13205-01-0-1 | K-13205-01-0-1 | E-15321-00-0-1 | | E-15321-00-0-1 | |
| Profine Trocal 88+ | 822 100 | | 810 200 | | 832 400 | 13.0 | 0-44804-1 | K-17198-03-0-1 | K-13205-03-0-1 | K-13205-03-0-1 | 9-41716-00-0-1 | 6-27674-42 -0-1 | E-13534-12-0-1 | |
| Profine Trocal Confort | 120400 | | 110200 | | 130900 | 13.0 | 0-43707-1 | K-17198-01-0-1 | K-13205-01-0-1 | K-13205-01-0-1 | 9-37137-00-0-1 | 6-27831-40 -0-1 | 9-30146-23-0-1 | G-27831-23-0-1 |
| Pural | P 005 | | P 010 | | SA/SI | 9.0 | 0-42716-1 | K-17198-01-0-1 | K-13205-01-0-1 | K-13205-01-0-1 | 9-30146-11-0-1 | 6-27674-45 -0-1 | 9-30146-22-0-1 | |
| Reckendrees DD | DD | MD | DD | | | 9.0 | 0-42079-1 | K-17198-01-0-1 | K-13812-00-0-1 | K-13205-01-0-1 | | | 9-30146-23-0-1 | |
| Rehau Brillant Design | 550 410 | 550 400 | 550 010 | | 550 080 | 13.0 | | K-17199-00-0-1 | K-13812-00-0-1 | K-13812-00-0-1 | 9-35770-00-0-1 | 6-31067-07 -0-1 | 9-30146-23-0-1 | G-27831-23-0-1 |
| Rehau S 702 | 609 652 | 609 662 | 618 972 | 629 102 | 561 250 | 9.0 | 0-41467-1 | K-17199-00-0-1 | K-13812-00-0-1 | K-13812-00-0-1 | E-13534-10-0-1 | | 9-30146-23-0-1 | |
| Rehau S 730 | 541 160 | 541 170 | 541 120 | 561 004 | 541 140 | 13.0 | 0-43010-1 | K-17199-00-0-1 | K-13812-00-0-1 | K-13812-00-0-1 | 9-35770-00-0-1 | 6-31067-07 -0-1 | 9-30146-23-0-1 | G-27831-23-0-1 |
| Rehau S 780 | 634 163 | | 634 133 | 634 153 | 632 913 | 9.0 | 0-43085-1 | K-17198-01-0-1 | K-13205-01-0-1 | K-13205-01-0-1 | E-14339-00-0-1 | 6-27674-13 -0-1 | E-14339-00-0-1 | |
| Roplasto 6001 Plus S-AD | 618300 | 610400 | 619100 | | 610700 | 9.0 | 0-41650-1 | K-17198-03-0-1 | K-13205-03-0-1 | K-13205-03-0-1 | E-15061-00-0-1 | 6-27674-20 -0-1 | 9-30146-03-0-1 | |
| Roplasto 7001 | 210500 | 230100 | 210900 | | 253020 | 13.0 | 0-44254-1 | K-17198-03-0-1 | K-13205-03-0-1 | K-13205-03-0-1 | 9-35508-00-0-1 | 6-31067-03 -0-1 | E-13534-12-0-1 | G-27831-23-0-1 |
| Salamander Design ID | 211 030 | 31 030 | 210 030 | | 216 020 | 13.0 | 0-44046-1 | K-17199-00-0-1 | K-13812-00-0-1 | K-13812-00-0-1 | 9-38634-00-0-1 | 6-27831-30 -0-1 | E-13534-12-0-1 | G-27831-23-0-1 |
| Salamander Universal | 201 030 | 301 030 | 200 030 | 406 170 | 206 030 | 9.0 | 0-42624-1 | K-17199-00-0-1 | K-13812-00-0-1 | K-13812-00-0-1 | 9-31750-00-0-1 | 6-27674-08 -0-1 | 9-30146-02-0-1 | |
| Schüco AS | 700100 | 704100 | 701300 | | 729200 | 9.0 | 0-41739-1 | K-17198-01-0-1 | K-13205-01-0-1 | K-13205-01-0-1 | 9-30627-00-0-1 | 6-27674-18 -0-1 | 9-30748-03-0-1 | |
| Schüco Corona AS 60 | 8129 | 8113 | 8134 | | 8131 | 13.0 | 0-43687-1 | K-17198-03-0-1 | K-13812-00-0-1 | K-13812-00-0-1 | 9-38218-00-0-1 | | E-13534-12-0-1 | |
| Schüco Corona CT 70 | 8507 | 8509 | 8501 | | 8519 | 13.0 | | K-17198-03-0-1 | K-13812-00-0-1 | K-13812-00-0-1 | 9-38218-00-0-1 | 6-27831-25 -0-1 | 9-38218-00-0-1 | G-27831-23-0-1 |
| Selecta (GEWE) | GW 4403 | GW 4402 | GW 4401 | | GW 2305 | 9.0 | 0-43118-1 | K-17198-01-0-1 | K-13812-00-0-1 | K-13812-00-0-1 | 9-30146-16-0-1 | | 9-30146-16-0-1 | |
| Spectus Windows | SW 09 | SW 08 | SW 05 | | A 401 | 9.0 | 0-41874-1 | K-17198-01-0-1 | K-13205-01-0-1 | K-13205-01-0-1 | 9-30146-05-0-1 | | 9-30146-02-0-1 | |
| Veka Softline AD | 103.104 | 103.111 | 101.086 | 114.011 | 102.086 | 9.0 | 0-42644-1 | K-17198-01-0-1 | K-13205-01-0-1 | K-13205-01-0-1 | 9-34202-00-0-1 | 6-27674-46 -0-1 | 9-34202-00-0-1 | |
| Veka Softline MD | 103.118 | 103.121 | 101.100 | | 102.106 | 9.0 | | K-17198-03-0-1 | K-13205-03-0-1 | K-13205-03-0-1 | 9-34202-00-0-1 | 6-27674-46 -0-1 | 9-30146-11-0-1 | |
| Veka Topline | 103.212 | 103.205 | 101.206 | | 102.236 | 13.0 | 0-45135-1 | K-17198-01-0-1 | K-13205-01-0-1 | K-13205-01-0-1 | 9-38218-00-0-1 | 9-36606-00 -0-1 | E-13534-12-0-1 | G-27831-23-0-1 |
| Veka Topline | 103.212 | 103.205 | 101.204 | | 102.236 | 13.0 | 0-45136-1 | K-17198-01-0-1 | K-13205-01-0-1 | K-13205-01-0-1 | 9-38218-00-0-1 | 9-36606-00 -0-1 | E-13534-12-0-1 | G-27831-23-0-1 |
| Veka Topline AD | 103.204 | 103.205 | 101.201 | | 102.206 | 13.0 | 0-43844-1 | K-17198-01-0-1 | K-13205-01-0-1 | K-13205-01-0-1 | 9-42972-00-0-1 | 6-31067-05 -0-1 | E-13534-12-0-1 | G-27831-23-0-1 |
| Wymar | P 109 | P 204 | P 103 | | P 110 C | 9.0 | 0-41884-1 | K-17198-01-0-1 | K-13205-01-0-1 | K-13205-01-0-1 | E-13568-00-0-1 | | E-15061-00-0-1 | |
| Wymar 2000 | 2205 | 2214 | 2003 | | 2212 | 13.0 | 0-43572-1 | K-17199-00-0-1 | K-13812-00-0-1 | K-13812-00-0-1 | 9-35737-00-0-1 | 6-27831-11 -0-1 | E-13534-12-0-1 | G-27831-23-0-1 |
| Wymar 3000 | 3202 | | 3000 | 4305 | 3300 | 13.0 | 0-44777-1 | K-17198-01-0-1 | K-13205-01-0-1 | K-13205-01-0-1 | 9-41839-00-0-1 | 6-27831-45 -0-1 | E-13534-12-0-1 | G-27831-23-0-1 |

[1]

Tilt&Turn passage sash

Hardware and strikers for Tilt&Turn passage sashes are contained in catalogue section D : "Tilt&Turn, Tilt-First, Turn-Only and Tilt&Only hardware".

Covers set for sash hinges set FH

| Description | Order no. | Description | Order no. |
|--------------------------|----------------|-------------|----------------|
| Sash hinges set FH 17/40 | K-17198-01-0-1 | Covers set | K-15392-00-0-* |
| Sash hinges set FH 17/45 | K-17198-03-0-1 | Covers set | K-15392-00-0-* |
| Sash hinges set FH 25/45 | K-17199-00-0-1 | Covers set | K-15399-00-0-* |

Covers set for sash hinges set

| Description | Order no. | Description | Order no. |
|-----------------------|----------------|-------------|----------------|
| Sash hinges set 17/40 | K-13205-01-0-1 | Covers set | K-15392-00-0-* |
| Sash hinges set 17/45 | K-13205-03-0-1 | Covers set | K-15392-00-0-* |
| Sash hinges set 25/45 | K-13812-00-0-1 | Covers set | K-15399-00-0-* |
| Sash hinges set 17/17 | K-13813-00-0-1 | Covers set | K-15393-00-0-* |



Introduction, product information

| | |
|--|-----|
| Introduction..... | 247 |
| Product information | 248 |
| Hardware versions | 248 |
| Thresholds | 248 |
| Application..... | 249 |
| HS- Master Lift&Slide hardware system | 250 |
| Barrier-free construction | 251 |
| Sash configuration according to patterns A to L..... | 252 |

Turn handles and optional parts

| | |
|--|-----|
| Turn handles for windows and balcony-doors, accessories..... | 253 |
| Optional parts..... | 258 |
| Locking mechanism scheme G1..... | 260 |
| HS- SPEED Limiter | 261 |
| HS- Master Lift&Slide hardware system | 262 |
| L&S night ventilation module with insect screen | 265 |

Hardware requirements, sets

GU-934 K Lift&Slide hardware / GU-thermostep

| | |
|--|-----|
| Profile systems Aluplast Ideal 4000, Deceuninck, EuroFutur / PremiDoor | 267 |
| Profile systems Gealan series S 8000, Rehau Brillant Design S 785, Rehau Geneo | 268 |
| Profile systems Roplasto 4001, Salamander iD, Schüco Corona CT 70 | 269 |
| Profile systems Inoutic AD (Thyssen AD), Veka Slide, Veka Softline 58 | 270 |
| Profile systems Veka Softline 70, Veka Topline..... | 271 |

GU-937 K Lift&Slide hardware

| | |
|-------------------------------------|-----|
| Profile systems Profex, Wymar | 272 |
|-------------------------------------|-----|

Threshold GU-thermostep

| | |
|--|-----|
| Aluplast Ideal 4000 – patterns A, C, D and F..... | 273 |
| Deceuninck – patterns A, C, D and F..... | 274 |
| EuroFutur / PremiDoor – patterns A, C, D and F..... | 275 |
| Gealan 8000 – patterns A and C..... | 276 |
| Rehau Brillant Design S 785 – patterns A and C..... | 277 |
| Rehau Geneo – patterns A, C, D and F..... | 278 |
| Roplasto 4001 – patterns A, C, D and F..... | 279 |
| Salamander iD – patterns A, C, D and F..... | 280 |
| Schüco Corona CT 70 – patterns A, C, D and F | 281 |
| Inoutic AD – patterns A, C, D and F | 282 |
| Veka Slide – patterns A, C, D and F | 283 |
| VEKA Softline 58 – patterns A, C, D and F..... | 284 |
| VEKA Softline 70, VEKA Topline – patterns A, C, D and F..... | 285 |
| GU-thermostep – single components..... | 286 |
| GU-thermostep – hardware requirements | 291 |

GU-934 K Lift&Slide hardware / alternative threshold

| | |
|---|-----|
| Profile systems Aluplast Ideal 4000, EuroFutur / PremiDoor, Gealan S 8000..... | 292 |
| Profile systems Rehau Brillant Design S 785, Roplasto 4001, Schüco Corona CT 70 | 293 |
| Profile systems Veka Softline 70, Veka Topline..... | 294 |

Threshold GU threshold 47, GU-flatstep

| | |
|---|-----|
| GU threshold 47, GU-flatstep – Sets | 295 |
| GU threshold 47, GU-flatstep – accessories..... | 298 |

Drilling jigs and templates

| | |
|--|-----|
| Drilling jigs for GU-934, GU-937 | 299 |
| Installation template for GU-thermostep..... | 299 |
| Drilling jigs for GU-thermostep – windows and balcony-doors with corner joint parts..... | 299 |
| Drilling jigs for GU-thermostep, GU threshold 47, GU-flatstep – windows and balcony-doors with corner joint parts..... | 299 |
| Drilling jig for GU-thermostep, GU threshold 47 and GU-flatstep for attachment track..... | 299 |
| Drilling jigs for GU-thermostep – windows and balcony-doors without corner joint parts..... | 299 |
| Drilling jigs for GU threshold 47, GU-flatstep – windows and balcony-doors with corner joint parts..... | 299 |



Contents

The GU order catalogue contains all Lift&Slide hardware systems for PVC windows and balcony-doors, thresholds, top guides and accessories according to the latest state of the art.

The following information will make you familiar with the catalogue structure which is conceived in a way to facilitate your daily work.

Catalogue structure

The GU order catalogue is structured as follows:

- Optional parts and turn handles
- Hardware sets
- Drilling jigs and templates

The catalogue is structured to meet the requirements of the customers.

Optional parts and turn handles

Optional parts and turn handles for the complete Lift&Slide hardware range are presented on special pages and can be viewed at a glance. All supplements of standard hardware versions are clearly arranged.

Hardware sets

Hardware requirements depending on sash size and sash configuration

The hardware illustrations are accompanied by product tables helping to determine hardware requirements depending on the sash size.

Parts for supplementing standard hardware versions are clearly presented and can be selected easily.

Drilling jigs and templates

Drilling jigs, templates and hardware assembly tools are listed according to hardware variants.

Order numbers

The order number gives information about

- the product,
- its size,
- its application – e.g. DIN LH or DIN RH – and
- its colour.

Example

Order number

6-26728-01-0-1

- 6-26728- - - order number
- -01- - size
- - -L- left handed assembly (handle on the left)
- - -R- right handed assembly (handle on the right)
- - -0- non-handed
- - - -1 F 1/EV 1, natural (silver) colour, ferGUard*silver, light-grey plastic (RAL 7035)
- - - -2 F 2/EV 2, nickel silver / champaign colour
- - - -3 F 3, brass colour or gold colour
- - - -4 UC 3, medium bronze colour or medium brown
- - - -A F 4, bronze colour
- - - -B brass
- - - -C titanium colour
- - - -5 UC 5, dark bronze colour or dark brown (RAL 8022)
- - - -6 onyx-matt or black (RAL 9005)
- - - -7 white (RAL 9016)
- - - -8 stainless steel or stainless steel colour
- - - -* various finishes available

If the last digit of the order number is an asterisk *

various colours are available which can be taken from the price list.

Prices

GU gross price list

The prices are listed by ascending order numbers.

Additional sales documents

Apart from the order catalogue, the following documents on Lift&Slide hardware are available:

- Brochures giving information about product features and benefits
- Direct mail from architectural hardware retailers
- Installation drawings with hardware installation instructions
- Instructions for maintenance and care



Application

Possible applications of GU Lift&Slide hardware:

- Lift&Slide balcony-door elements with 2 to 6 sashes,
- Lift&Slide window elements with 2 to 4 sashes, each with threshold and guide track.

Hardware versions

GU-934 Lift&Slide hardware system

Lift&Slide hardware for single sashes up to 300 kg with 4-roll bogies and clamp-fixed connecting rods. The rolls consist of deep-groove ball bearings with plastic sheathing. Lift&Slide drive gears with 27.5 and 37.5 mm backset prepared for the installation of a profile cylinder.

GU-937 Lift&Slide hardware system

Lift&Slide hardware for single sashes up to 150 kg with 4-roll bogies and clamp-fixed connecting rods. The rolls consist of deep-groove ball bearings with plastic sheathing. Lift&Slide drive gears with 27.5 and 37.5 mm backset prepared for the installation of a profile cylinder.

Turn handles

The attachment of the DIRIGENT aluminium turn handles is concealed. The handle rosettes are provided with a sturdy detent mechanism. The standard turn handle is without PC hole. Turn handles with PC hole, turn handle sets for both sides and service handles complete the programme.

Thresholds

GU-thermostep

Thermally-broken threshold for Lift&Slide elements:

- Roller tracks can be exchanged subsequently
- No drilled holes for roller track on the vertical frame profile
- Modular system: threshold, variety of drip rails and roller tracks for snap-in attachment
- Identical base profile for timber and PVC doors
- Anti-moisture foil attached directly to the drip rail
- Various sash configuration patterns

GU-threshold 47

Thermally-broken threshold for Lift&Slide elements:

- Small installation height of 47 mm (without roller track)
- Roller tracks can be exchanged subsequently
- Modular system: corner connectors and other accessories can also be used for GU-flatstep, thus allowing for optimised stock keeping.
- Suitable for timber and PVC balcony-doors
- Including drip rail
- Sash distance according to profile system.
- Various sash configuration patterns

GU-flatstep

Thermally-broken threshold for Lift&Slide elements:

- Small installation height of 22 mm (without roller track)
- Roller tracks can be exchanged subsequently
- Modular system: corner connectors and other accessories can also be used for GU threshold 47, thus allowing for optimised stock keeping.
- Suitable for timber and PVC balcony-doors
- Sash distance according to profile system.
- Various sash configuration patterns

Guide tracks

P 903 guide track

Aluminium guide rail for Lift&Slide sashes. Application according to profile system.

Adaptation of hardware

The adaptation of Lift&Slide hardware to various profile systems is effected by means of special spacers and packers.

These components are contained in the tables "Hardware requirements". An illustration of system related spacers and detailed mounting instructions are to be found in the corresponding installation drawing.

Standard colours

Lift&Slide hardware systems are available in the following standard colours:

- EV 1** Visible aluminium hardware components EV-1 anodized
- UC 5** Visible aluminium hardware components dark bronze anodized
- White** Visible aluminium hardware components white (RAL 9016), thresholds or frame covers EV-1 anodized.

Further colours and finishes on request.

Standard surface sealing of GU Lift&Slide hardware: ferGUard*silver

The hardware components are made of high-quality steel, zinc die cast and aluminium alloys.

All locking components of Lift&Slide hardware come with ferGUard*silver surface sealing.

Product information of profile system manufacturers

The product guidelines of the profile manufacturers regarding construction, assembly, max. sash dimensions, max. sash weights and material qualities (e.g. linear expansion) are to be observed.



Application

| Profile system [1] | Sash configuration Pattern [2] | | | | | | | Hardware version | Threshold version | Guide track | Frame profile | Sash profile | Standard drawing | Modification |
|-------------------------------|--------------------------------|---|---|---|---|---|---|------------------|-------------------|-------------|---------------|--------------|------------------|--------------|
| | A | C | D | E | F | G | L | | | | | | | |
| Aluplast Ideal 4000 | • | • | • | | • | | | GU-934 K | GU-thermostep | | HZ 703 | HF 704 | 0-44379 | 6 |
| | • | • | | | | | | GU-934 K | GU threshold 47 | | HZ 703 | HF 704 | 0-45251 | 1 |
| | • | • | | | | | | GU-934 K | GU-flatstep | | HZ 703 | HF 704 | 0-45434 | 2 |
| Deceuninck | • | | • | | | | | GU-934 K | GU-thermostep | | P 1480 | P 1481 | 0-44497 | 2 |
| Gealan 8000 | • | • | | | | | | GU-934 K | GU-thermostep | P 903 | 8360 | 8393 | 0-44368 | 6 |
| | • | • | | | | | | GU-934 K | GU threshold 47 | | 8360 | 8393 | 0-45184 | 2 |
| | • | • | | | | | | GU-934 K | GU-flatstep | | 8360 | 8393 | 0-45435 | 2 |
| Profine EuroFutur / PremiDoor | • | • | • | • | • | | • | GU-934 K | GU-thermostep | | 2870 | 2420 | 0-44420 | 6 |
| | • | • | | | | | | GU-934 K | GU threshold 47 | | 2870 | 2420 | 0-45250 | 2 |
| | • | • | | | | | | GU-934 K | GU-flatstep | | 2870 | 2420 | 0-45436 | 2 |
| Inoutic AD | • | • | • | | • | | | GU-934 K | GU-thermostep | | HS 1 | HS 20 | 0-44405 | 1 |
| Profex | • | • | • | | • | | | GU-937 K | | | 2600 | 2641 | 0-44345 | 1 |
| Rehau Brillant Design S 785 | • | • | | | | | | GU-934 K | GU-thermostep | | 565550 | 565040 | 0-44315 | 6 |
| | • | • | | | | | | GU-934 K | GU threshold 47 | | 565550 | 565040 | 0-45236 | 2 |
| | • | • | | | | | | GU-934 K | GU-flatstep | | 565550 | 565040 | 0-45437 | 2 |
| Rehau Geneo | • | • | • | | • | • | | GU-934 K | GU-thermostep | | 598570 | 598545 | 0-45602 | 4 |
| Roplasto 4001 | • | • | • | | • | | | GU-934 K | GU-thermostep | P 903 | 730 100 | 731 000 | | |
| | • | • | | | | | | GU-934 K | GU threshold 47 | | 730 100 | 731 000 | | |
| | • | • | | | | | | GU-934 K | GU-flatstep | | 730 100 | 731 000 | 0-45438 | |
| Salamander iD | • | • | • | | • | | | GU-934 K | GU-thermostep | | 68552 | 68551 | 0-44387 | 4 |
| Schüco Corona CT 70 | • | • | • | | • | | | GU-934 K | GU-thermostep | | 1956 | 1955 | 0-44292 | 3 |
| | • | • | | | | | | GU-934 K | GU threshold 47 | | 1956 | 1955 | 0-45240 | 2 |
| | • | • | | | | | | GU-934 K | GU-flatstep | | 1956 | 1955 | 0-45439 | 2 |
| Veka Slide | • | • | • | • | • | • | • | GU-934 K | GU-thermostep | | 105.330 | 105.340 | 0-45551 | 2 |
| | • | • | • | | | | | GU-934 K | GU threshold 47 | | 105.330 | 105.340 | 0-45581 | 1 |
| | • | • | • | | | | | GU-934 K | GU-flatstep | | 105.330 | 105.340 | 0-45867 | 1 |
| Veka Softline 58 | • | • | • | | • | | | GU-934 K | GU-thermostep | | 105.021 | 105.093 | 0-44381 | 2 |
| Veka Softline 70 | • | • | • | | • | | | GU-934 K | GU-thermostep | | 105.220 | 105.234 | 0-44383 | 4 |
| | • | • | | | | | | GU-934 K | GU threshold 47 | | 105.220 | 105.234 | 0-45238 | 4 |
| | • | • | | | | | | GU-934 K | GU-flatstep | | 105.220 | 105.234 | 0-45440 | 2 |
| Veka Topline | • | • | • | | • | | | GU-934 K | GU-thermostep | | 105.220 | 105.203 | 0-44383 | 4 |
| | • | • | | | | | | GU-934 K | GU threshold 47 | | 105.220 | 105.203 | 0-45238 | 2 |
| | • | • | | | | | | GU-934 K | GU-flatstep | | 105.220 | 105.203 | 0-45440 | 2 |
| Wymar | • | • | • | | • | | | GU-937 K | | 2600 | 2641 | 0-44346 | 1 | |

[1] Further profile systems on request.

[2] The ordering pages of this catalogue show the hardware for patterns A and C. Further patterns on request.

Abbreviations

| | |
|-----|--|
| FG | fixed glazing |
| HD | handle distance (centres) |
| HH | handle height |
| IFW | interior frame width |
| K | hardware version for PVC balcony-doors |
| LD | length of drive |
| LH | left handed |
| PC | profile cylinder |
| PU | packing unit |
| RH | right handed |
| SD | sash distance |
| SH | sash height |
| ST | sash thickness |
| SW | sash width |
| TFW | total frame width |
| WS | width of soffit |



HS-Master Lift&Slide hardware system

Applications

- GU-934 Lift&Slide door elements according to patterns A and C with HS-Master drive system
- Use in residential construction with high demands on comfortable operation
- Use as secondary entrance in buildings with public access, e.g. in the catering industry
- In facilities for the disabled with high demands on safe and convenient operation
- Suitable for use in the context of barrier-free construction
- For use with PVC or aluminium profiles, it is necessary that GU verifies the cross-sectional drawings of the respective frame and sash profiles.



Design

Equipment options and delivery

The HS-Master drive is delivered as tailor-made and preassembled unit with the following options:

HS-Master in

- standard design for
 - operation via handle / Push & Go
 - operation via rocker switch (provided by customer)

Optional designs prepared for

- operation via handheld radio transmitter
- light barrier set
- operation via handheld radio transmitter and for light barrier set
- light curtain
- operation via handheld radio transmitter and for light curtain

Each version requires the installation of a rocker switch.

Operation

Ease of operation

- Motor-driven lifting, sliding to the desired opening position and closing
- Very simple and easy operation

Operation options

- Operation via handle and rocker switch
- Operation via radio remote control
- Operation via radar sensor

Operation safety

- The HS-Master drive features a standard limit switch.
- Light barriers prevent the sliding door from closing as long as persons or objects, e.g. a wheel chair, are within the sensing area.
- Light curtains control the drive gear side over the total height of the door and prevent the door from closing as soon as persons or objects are detected by the light sensor. Fitments are recognised via a memory function.
 - Installation:
 - inside: in the drive casing
 - outside: in front of the sliding sash
- Operating the sliding door by the turn handle is possible at any time (e.g. in the event of a power failure).

Range of applications

| Patterns | A | C |
|------------------------------|--------------|--------------|
| Min. length of drive LD min. | 1900 mm | 3800 mm |
| Sash width SW | 950-3300 mm | 950-3300 mm |
| Sash height SH | 1855-2765 mm | 1855-2765 mm |
| Sash weight | up to 300 kg | up to 300 kg |

Turn handles

All handles of the Lift&Slide turn handle range can be used.

Retrofitting of Lift&Slide balcony-doors

Lift&Slide elements already installed can be retrofitted with a HS-Master drive.

Retrofitting requires the following measures:

- The installed Lift&Slide drive gear must be exchanged.
- Elements with GU-933 bogies must be retrofitted with the new GU-934 bogies.



Barrier-free construction

What does "barrier-free" mean?

Barrier-free construction means the avoidance of barriers and obstacles when designing and configuring building access points and interior spaces (source: "Baulexikon").

Laws and standards

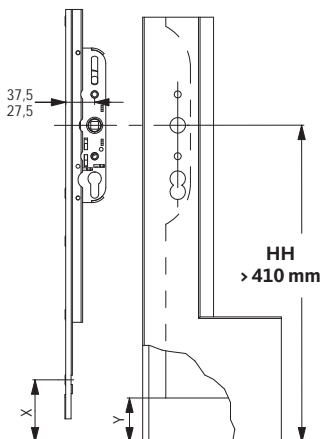
The requirements to barrier-free construction are based on the respective local laws and standards and the respective legal stipulations with regard to equal opportunities for disabled people.

Note: In Germany, the planning of barrier-free buildings is based on the DIN 18040 standard.

Barrier-free construction with Lift&Slide hardware

Lift&Slide drive gears with 850 handle height

The use of Lift&Slide drive gears with variable handle height allows to adapt the handle height to individual requirements so that the turn handle is easily accessible to wheel chair users.



Ordering data

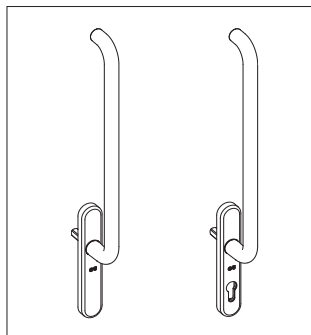
HH = handle height
SH = sash height
Y = depth of hardware groove

X = bottom edge of sash up to first screw hole of cover rail
GU-934 = Y + 23.5 mm
GU-937 = Y + 35.5 mm

Order numbers

| Backset | Order no. |
|---------|----------------|
| 37.5 mm | 6-30021-**-0-* |
| 27.5 mm | 6-30019-**-0-* |

Elongated RONDO turn handles of stainless steel



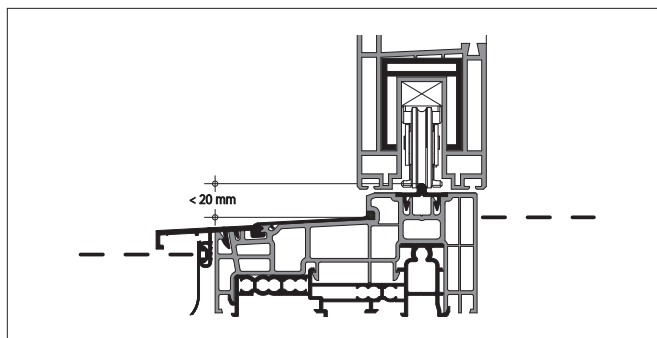
A special elongated version of the RONDO turn handle is available for barrier-free construction.

Application: opening and closing of sliding door from a seated position.

400 mm handle length

GU-thermostep threshold

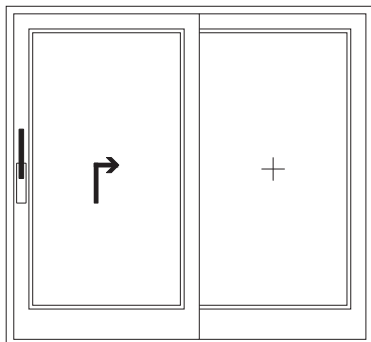
According to the DIN 18040 standard, the height of door thresholds must not exceed 20 mm.



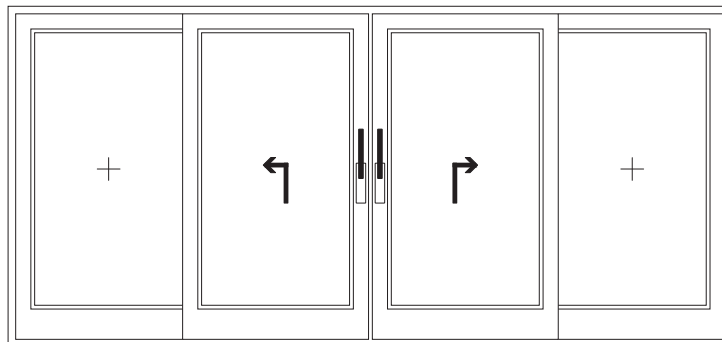
F



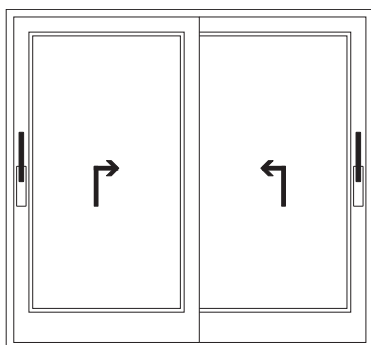
Sash configuration according to patterns A to L



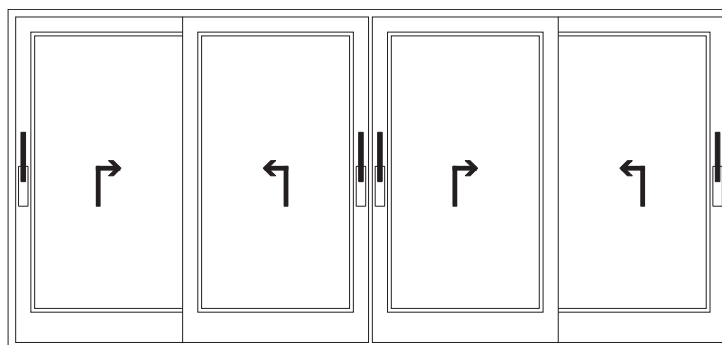
Pattern A [1]
1 Lift&Slide sash, 1 fixed glazing
Fig. shows LH handle



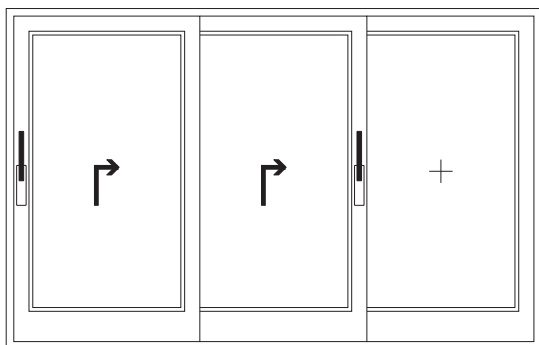
Pattern C [1]
2 Lift&Slide sashes, 2 fixed glazings
Fig. shows LH and RH handle



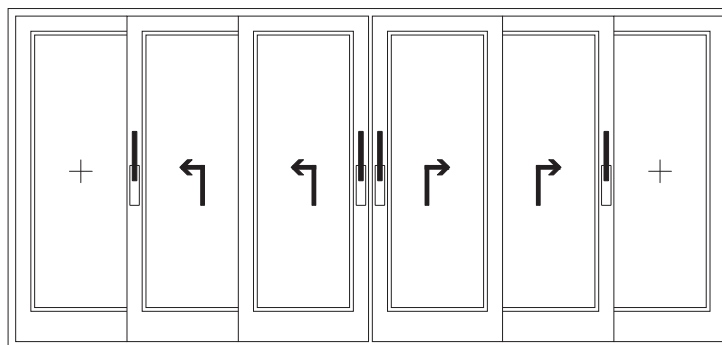
Pattern D [1]
2 Lift&Slide sashes
Fig. shows LH and RH handle



Pattern F [1]
4 Lift&Slide sashes
Fig. shows LH and RH handles



Pattern E [1]
2 Lift&Slide sashes, 1 fixed glazing
Fig. shows LH handles



Pattern L [1]
4 Lift&Slide sashes, 2 fixed glazings
Fig. shows LH and RH handles

[1] = The ordering pages of the catalogue show the hardware for patterns A and C. Hardware requirements for patterns D, E, F, G and L on request.



DIRIGENT turn handles – aluminium

240 mm handle length

Inside turn handle – GU-934/937
DIRIGENT without PC hole
ST up to 80 mm, adjustable spindle length
6-24608-00-0*

Inside turn handle – GU-934/937
DIRIGENT without PC hole, with 90° rest
68 mm sash thickness
6-24613-00-0*

Flush pull (order separately)
9-29526-00-0* / 9-29992-01-0* / 9-29992-02-0*

240 mm handle length

Inside turn handle – GU-934/937
DIRIGENT with PC hole
ST up to 80 mm, adjustable spindle length
6-24609-00-0*

Inside turn handle – GU-934/937
DIRIGENT with PC hole, with 90° rest
ST up to 80 mm, adjustable spindle length
6-24614-00-0*

Flush pull (order separately)
9-29526-00-0* / 9-29992-01-0* / 9-29992-02-0*

240 mm handle length

Turn handles set, both sides – GU-934/937
DIRIGENT with PC hole
ST up to 90 mm, adjustable spindle length
6-24615-96-0*

Turn handle set, both sides – GU-934/937
DIRIGENT with PC hole, with 90° rest
ST up to 90 mm, adjustable spindle length
6-24616-96-0*

DIRIGENT turn handle set – aluminium, flat outside handle

Contents

- 1 DIRIGENT turn handle both sides with PC hole
- 2 countersunk screws M 6 x 75

240 mm handle length

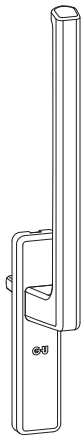
Turn handles set, both sides – GU-934/937
30 mm outside height
DIRIGENT with PC hole, with lugs
K-12919-00-0*

Reduction sleeve
9-43986-00-0-1
for GU-934/937 both sides handle set
K-12919-00-0*
Square spindle 8 – 10 mm

Note:
When using handles on both sides it is recommended the stop 90.



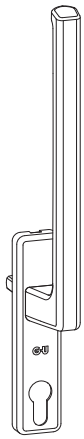
DIRIGENT service handles – aluminium



Contents
1 DIRIGENT turn handle
inside, without PC hole
2 conical notched pins

240 mm handle length

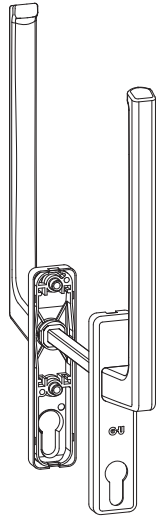
Inside turn handle set – GU-934/937
DIRIGENT without PC hole, with lugs
ST up to 80 mm
K-17396-00-0-*



Contents
1 DIRIGENT turn handle
inside, with PC hole
2 conical notched pins

240 mm handle length

Inside turn handle set – GU-934/937
DIRIGENT with PC hole, with lugs
ST up to 80 mm
K-17397-00-0-*

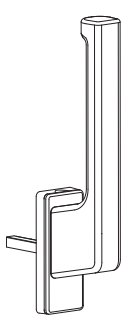


Contents
1 DIRIGENT turn handle
both sides with PC hole

240 mm handle length

Turn handles set, both sides – GU-934/937
DIRIGENT with PC hole, with lugs
ST up to 90 mm
K-17400-00-0-*

DIRIGENT 'HL' turn handles for light elements

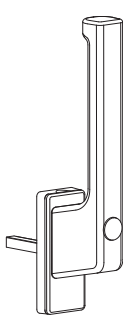


160 mm handle length

Inside turn handle – GU-934/937
DIRIGENT 'HL', non-lockable
ST up to 56 mm
180° rest
Rosette 32 x 81 6-31809-37-0-*

Handle adapter set
Contents
1 fixing plate
1 reduction sleeve
2 screws
K-16554-01-0-1

Application:
Sashes up to 120 kg



160 mm handle length

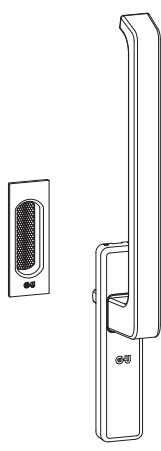
Inside turn handle – GU-934/937
DIRIGENT 'HL', lockable
ST up to 56 mm
180° rest
Rosette 32 x 81 6-31810-37-0-*

Handle adapter set
Contents
1 fixing plate
1 reduction sleeve
2 screws
K-16554-01-0-1

Application:
Sashes up to 120 kg



DIRIGENT turn handles – stainless steel



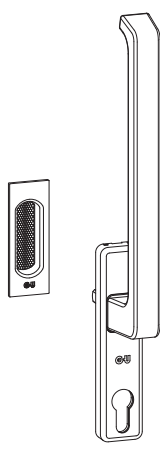
Contents
1 DIRIGENT turn handle
inside, without PC hole
1 flush pull

240 mm handle length

**Inside turn handle set – GU-934/937
DIRIGENT without PC hole
ST up to 80 mm, adjustable spindle length
K-16793-00-0-8 [1]**

**Inside turn handle set – GU-934/937
DIRIGENT without PC hole, with 90° rest
ST up to 80 mm, adjustable spindle length
K-16859-00-0-8 [1]**

[1] available with finishes 1, 5, 7 on request



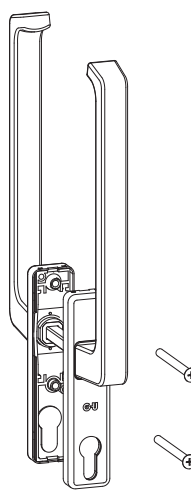
Contents
1 DIRIGENT turn handle
inside, with PC hole
1 flush pull

240 mm handle length

**Inside turn handle set – GU-934/937
DIRIGENT with PC hole
ST up to 80 mm, adjustable spindle length
K-16794-00-0-8 [1]**

**Inside turn handle set – GU-934/937
DIRIGENT with PC hole, with 90° rest
ST up to 80 mm, adjustable spindle length
K-16860-00-0-8 [1]**

[1] available with finishes 1, 5, 7 on request



Contents
1 DIRIGENT turn handle
both sides with PC hole
2 countersunk screws
M 6 x 100

240 mm handle length

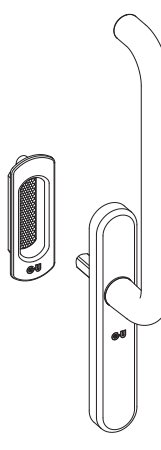
**Turn handles set, both sides – GU-934/937
DIRIGENT with PC hole
ST up to 90 mm, adjustable spindle length
K-16795-00-0-8 [1]**

**Turn handle set, both sides – GU-934/937
DIRIGENT with PC hole, with 90° rest
ST up to 90 mm, adjustable spindle length
K-16861-00-0-8 [1]**

[1] available with finishes 1, 5, 7 on request

F

RONDO turn handles – stainless steel



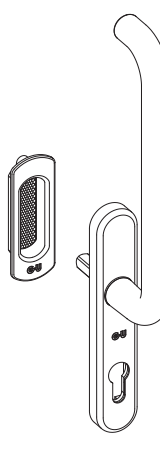
Contents
1 RONDO turn handle
inside, without PC hole
1 flush pull

240 mm handle length

**Inside turn handle set – GU-934/937
RONDO without PC hole
ST up to 80 mm, adjustable spindle length
K-16796-00-0-8 [1]**

**Inside turn handle set – GU-934/937
RONDO without PC hole, with 90° rest
ST up to 80 mm, adjustable spindle length
K-16862-00-0-8 [1]**

[1] available with finishes 1, 5, 7 on request



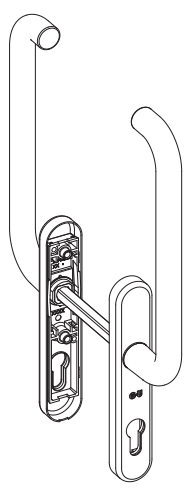
Contents
1 RONDO turn handle
inside, with PC hole
1 flush pull

240 mm handle length

**Inside turn handle set – GU-934/937
RONDO with PC hole
ST up to 80 mm, adjustable spindle length
K-16797-00-0-8 [1]**

**Inside turn handle set – GU-934/937
RONDO with PC hole, with 90° rest
ST up to 80 mm, adjustable spindle length
K-16863-00-0-8 [1]**

[1] available with finishes 1, 5, 7 on request



Contents
1 RONDO turn handle
both sides, with PC hole
2 countersunk screws
M 6 x 100

240 mm handle length

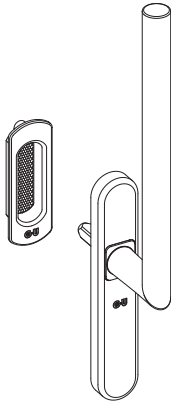
**Turn handles set, both sides – GU-934/937
RONDO with PC hole
ST up to 90 mm, adjustable spindle length
K-16798-00-0-8 [1]**

**Turn handle set, both sides – GU-934/937
RONDO with PC hole, with 90° rest
ST up to 90 mm, adjustable spindle length
K-16864-00-0-8 [1]**

[1] available with finishes 1, 5, 7 on request



FORTE turn handles – stainless steel

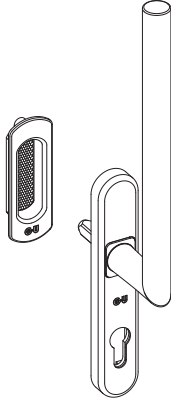


Contents
1 FORTE turn handle
inside, without PC hole
1 flush pull

240 mm handle length

Inside turn handle set – GU-934/937
FORTE with PC hole
ST up to 80 mm, adjustable spindle length
K-17015-00-0-8

Inside turn handle set – GU-934/937
FORTE without PC hole, with 90° rest
ST up to 80 mm, adjustable spindle length
K-17020-00-0-8

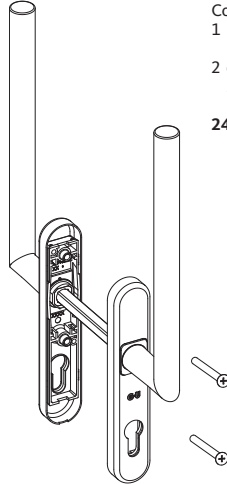


Contents
1 FORTE turn handle
inside, with PC hole
1 flush pull

240 mm handle length

Inside turn handle set – GU-934/937
FORTE with PC hole
ST up to 80 mm, adjustable spindle length
K-17016-00-0-8

Inside turn handle set – GU-934/937
FORTE with PC hole, with 90° rest
ST up to 80 mm, adjustable spindle length
K-17021-00-0-8



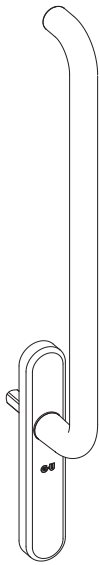
Contents
1 FORTE turn handle
both sides with PC hole
2 countersunk screws
M 6 x 100

240 mm handle length

Turn handles set, both sides – GU-934/937
FORTE with PC hole
ST up to 90 mm, adjustable spindle length
K-17017-00-0-8

Turn handles set, both sides – GU-934/937
FORTE with PC hole, with 90° rest
ST up to 90 mm, adjustable spindle length
K-17022-00-0-8


Elongated RONDO turn handles – stainless steel



400 mm handle length

Inside turn handle – GU-934/937
RONDO without PC hole
68 mm sash thickness
K-17231-00-0-8 [1]

[1] available with finishes 1, 5, 7 on request



400 mm handle length

Inside turn handle – GU-934/937
RONDO with PC hole
68 mm sash thickness
K-17232-00-0-8 [1]

[1] available with finishes 1, 5, 7 on request

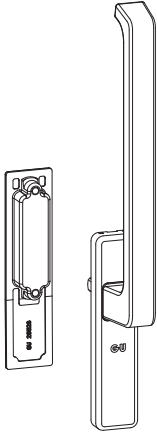
Lift&Slide hardware

Turn handles for windows and balcony-doors, accessories




DIRIGENT turn handles – polished brass

240 mm handle length

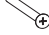


Inside turn handle – GU-934/937 DIRIGENT without PC hole
ST up to 80 mm, adjustable spindle length
6-26728-01-0-B

Inside turn handle – GU-934/937 DIRIGENT without PC hole, with 90° rest
ST up to 80 mm, adjustable spindle length
6-26729-01-0-B

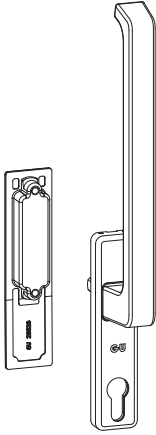


Flush pull
(order separately)
9-34957-00-0-B




Countersunk screw M 6
acc. to sash thickness
(order separately)

240 mm handle length

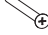


Inside turn handle – GU-934/937 DIRIGENT with PC hole
ST up to 80 mm, adjustable spindle length
6-26728-02-0-B

Inside turn handle – GU-934/937 DIRIGENT with PC hole, with 90° rest
ST up to 80 mm, adjustable spindle length
6-26729-02-0-B

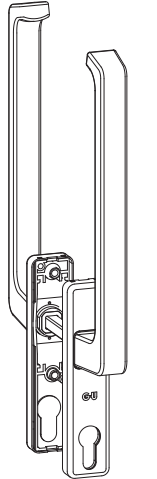


Flush pull
(order separately)
9-34957-00-0-B




Countersunk screw M 6
acc. to sash thickness
(order separately)

240 mm handle length



Turn handle 2 sides – GU-934/937 DIRIGENT with PC hole
ST up to 90 mm, adjustable spindle length
6-26731-00-0-B

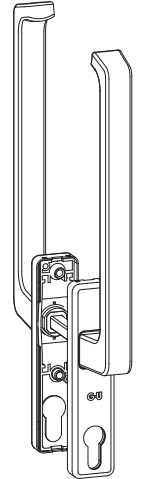
Turn handle 2 sides – GU-934/937 DIRIGENT with PC hole, with 90° rest
ST up to 90 mm, adjustable spindle length
6-26732-00-0-B



Countersunk screw M 6
(order separately)
45-90 mm sash thickness
9-32789-10-0-1


DIRIGENT Sec

240 mm handle length




Turn handle 2 sides – GU-934/937 DIRIGENT Sec handle w. PC hole
ST up to 90 mm, adjustable spindle length
6-24617-96-0-*

Turn handle 2 sides – GU-934/937 DIRIGENT Sec handle w. PC hole, with 90° rest
ST up to 90 mm, adjustable spindle length
6-24618-96-0-*

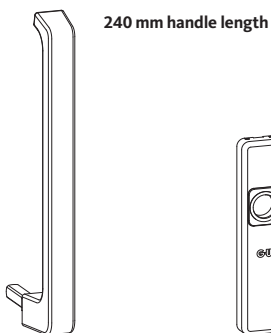


Sec flush pull
(order separately)
9-29622-00-0-*



Countersunk screw M 6
(order separately)
45-90 mm sash thickness
9-32789-10-0-1

Accessories



DIRIGENT service handle
6-24619-00-0-*



Countersunk screw M 6
for handle on both sides – length depending on profile system



Cover rosette, inside without PC hole
6-23243-01-0-*

M 6 x 65 9-13274-65-0-3 Eurodur 3S, EuroFutur
M 6 x 75 9-13274-75-0-3 Deceuninck
M 6 x 80 9-13274-80-0-3 Roplasto, Salamander iD Schüco Corona CT 70 Veka Slide



Cover rosette, inside with PC hole
6-23243-02-0-*

M 6 x 70 9-13274-70-0-3 Aluplast Ideal 4000 Gealan 3000, Gealan 8000 Rehau S 730, Rehau S 785 Inoutic AD Trocal 900 Veka Softline, Veka Topline



Flush pull
9-29526-00-0*
9-29992-01-0*
9-29992-02-0*

Countersunk screw M 6
Sash thickness 45-90 mm
9-32789-10-0-1



Flush pull Stainless steel
9-42737-01-0-8



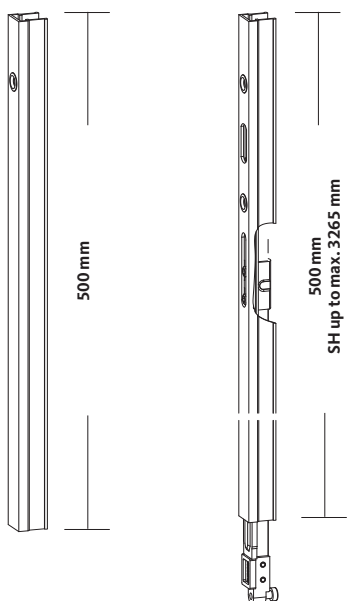
Cover disc set
K-17481-00-0-*

- *-1 = EV 1 colour
- *-5 = UC 5 colour
- *-6 = black
- *-7 = white
- *-8 = stainless steel colour



Cover rosette, outside
9-29527-00-0-*

Contents
1 cover disc
1 sleeve
1 countersunk sheet metal screw 3.9 x 13

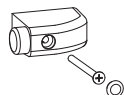


Cover rail extension
9-28483-05-0*

Gear extension
6-32030-00-0*



Tension spring
for sashes > 200 kg
9-40235-05-0-0



Buffer #90 set
K-12024-00-0*
* -6 = black
* -7 = white



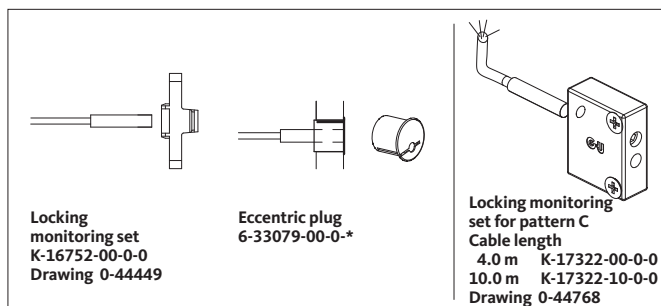
Anti-drill plate for
Lift&Slide gear
37.5 9-41309-02-0-0
27.5 9-41309-01-0-0
Drawing 0-44187



Bottom keeper set
with hexagonal screw
for night ventilation
K-11929-00-0-1



Night vent frame cam
Size 1 = 9-43830-01-0-1
– Veka Softline 58
Size 2 = 9-43830-02-0-1
Size 3 = 9-43830-03-0-1
– Aluplast Ideal 4000
– Eurofutur/Premidoor
– Gealan S 8000,
– Rehau Geneo
– Inoutic AD
– Roplasto 4001
– Veka Softline 70
– Veka Topline
Size 4 = 9-43830-04-0-1
– Deceuninck
– Salamander ID
Size 5 = 9-43830-05-0-1
– Schüco Corona CT 70
Size 6 = 9-43830-06-0-1
Size 7 = 9-43830-07-0-1
– Wymar

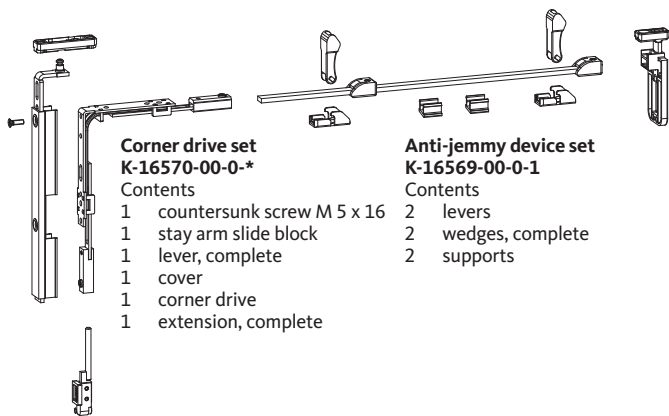


Locking monitoring set
K-16752-00-0-0
Drawing 0-44444

Eccentric plug
6-33079-00-0*

Locking monitoring set for pattern C
Cable length
4.0 m K-17322-00-0-0
10.0 m K-17322-10-0-0
Drawing 0-44768

Anti-jemmy device for guide track – PVC profiles



Corner drive set
K-16570-00-0*
Contents
1 countersunk screw M 5 x 16
1 stay arm slide block
1 lever, complete
1 cover
1 corner drive
1 extension, complete

Anti-jemmy device set
K-16569-00-0-1
Contents
2 levers
2 wedges, complete
2 supports

Hardware requirements depending on sash size for patterns A to G

| Qty. | A | C | D | G | Description | PU | Order no. |
|------|---|---|---|---|-------------------------|------|------------------|
| 1 | 2 | 2 | 1 | | Corner drive set [1] | 1 | K-16570-00-0* |
| 1 | 2 | 2 | 1 | | Anti-jemmy device set | 1 | K-16569-00-0-1 |
| 1 | 2 | 2 | 1 | | C-shaped guide #2, rear | 1 | 6-23297-00-0-0 |
| 1 | 2 | 2 | 1 | | P 959 connecting bar SW | | |
| | | | | | Length | | |
| | | | | | 600-1220 | 1000 | 1 9-28355-10-0-3 |
| | | | | | 1221-1720 | 1500 | 1 9-28355-15-0-3 |
| | | | | | 1721-2020 | 1800 | 1 9-28355-18-0-3 |
| | | | | | 2021-3000 | 2600 | 1 9-28355-26-0-3 |
| | | | | | Stock length | 4800 | 1 9-28355-48-0-3 |

[1] * = Colour: 1 = EV 1, 5 = UC 5

Drawing 0-44894

L&S meeting stile security profile set



L&S meeting stile security profile – SD 10

L&S meeting stile security profile – SD 16/20

L&S meeting stile security profile – SD 25/29

L&S meeting stile security profile set

| Description | Sash distance SD, mm | Length L, mm | Order no. |
|------------------|----------------------|--------------|--------------------------------|
| L&S 10 RC [1] | 10 | 2400 | K-15797-24-0* K-15797-29-0* |
| L&S 16/20 RC [1] | 16 - 20 | 2400 | K-15798-24-0* K-15798-29-0* |
| L&S 25/29 RC [1] | 25 - 29 | 2400 | K-15799-24-0* K-15799-29-0* |

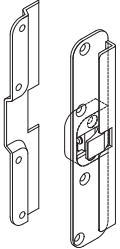
L&S extension set

| Description | Sash distance SD, mm | Length L, mm | Order no. |
|------------------|----------------------|--------------|---------------|
| L&S 10 RC [1] | 10 | 500 | K-16855-00-0* |
| L&S 16/20 RC [1] | 16 - 20 | 500 | K-16856-00-0* |
| L&S 25/29 RC [1] | 25 - 29 | 500 | K-16857-00-0* |

[1] * = Colour: 1 = grey, 6 = black, 7 = white

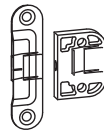


Sec centre closure set



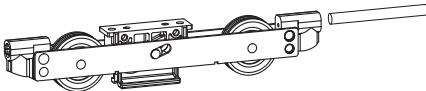
Sec centre closure set
vertical
SC 10 K-15227-00-0-1
SC 28 K-15667-00-0-1

Centre closure set



Centre closure set
vertical
SC 10 K-11864-00-0-1
SC 28 K-17132-00-0-1
Drawing 0-36943

Bogie for sashes up to 400 kg – GU-934



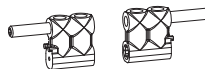
Additional bogie Rod

Tandem bogie set – GU-934
for sash weights up to 400 kg
K-17804-01-0-1 PU 1

Contents
2 additional bogies 6-30016-01-0-1

additionally:
2 rods Ø 8 mm, length 65 mm
(to be manufactured from connecting rod 9-25476-**-0-1)
Drawing 0-44455

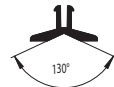
Requirements:
1 set per sliding sash



L&S adapter 'VT'
L&S adapter 'VT' set
for GU-934 with deep
connecting rod
6-30805-00-0-1 PU 1

Contents
2 adapters 'VT'
2 coupling pins

Note:
For maximum sash weights it is important to observe the
profile manufacturer's instructions.



V bogie support
GU-934 bogie support set
for roller track 'V'
K-17455-02-0-1 PU 1

Contents
2 V bogie supports
9-43614-02-0-1



R 2.5 bogie support
GU-934 bogie support set
for roller track 'R 2.5'
K-17455-03-0-1 PU 1

Contents
2 R 2.5 bogie supports
9-43614-03-0-1

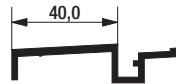
Packers for bogies – GU-934

| Description | Depth mm | Bogie, front Order no. | Bogie, rear Order no. |
|-------------|----------|------------------------|-----------------------|
| Packer | 1,0 | 9-41680-00-0-1 | 9-41681-00-0-1 |
| Packer | 2,0 | 9-41680-02-0-1 | 9-41681-02-0-1 |
| Packer | 5,0 | 9-41680-05-0-1 | 9-41681-05-0-1 |
| Packer | 6,0 | 9-41680-06-0-1 | 9-41681-06-0-1 |

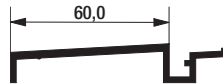
GU-thermostep threshold



P 1051 extension 25
9-27968-67-0-1/5



P 1840 extension 40
P-01840-67-0-1



P 1918 extension 60
P-01918-67-0-1/5



P 859 gasket
W-751018



P 1651 drip rail
with coupling
9-39617-67-0-1



Wall anchor
9-40086-00-0-1



Packer
9-43065-00-0-0

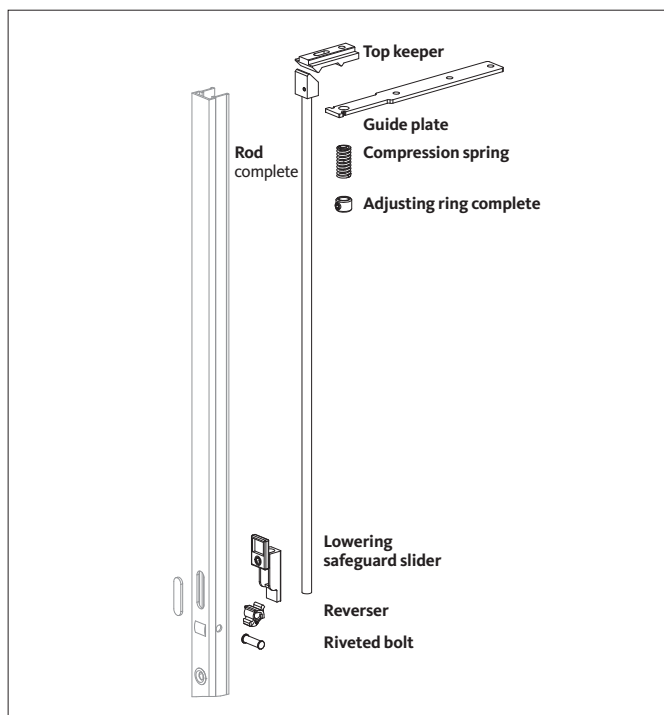
Fixed sash



P 432 roller track, high
3500 mm
9-09547-35-0-1
Connection to fixed sash



Levelling rail
42 x 4 x 3000 mm
9-23382-30-0-0
Connection to fixed sash



Locking set for pattern G1
Lift&Slide hardware, guide tracks according to profile

Hardware requirements

Lift&Slide hardware, guide tracks according to profile

| Qty. G1 | Description | PU | Order no. |
|------------|---------------------------------------|----|-------------------|
| 1 | Locking set for pattern G1 [1] | | |
| | Profile systems | | |
| | Aluphacan Vision | 1 | K-17781-00-0-1 |
| | Aluplast Ideal 4000 | 1 | K-17782-00-0-1 |
| | Deceuninck | 1 | K-17783-00-0-1 |
| | Gealan 8000 | 1 | K-17784-00-0-1 |
| | Profine PremiDoor | 1 | K-17775-00-0-1 |
| | Inoutic AD | 1 | K-17785-00-0-1 |
| | Ponzio-Gastadello | 1 | K-17783-00-0-1 |
| | Rehau Geneo | 1 | K-18030-00-0-1 |
| | Salamander iD | 1 | K-17786-00-0-1 |
| | Schüco Corona CT 70 | 1 | K-17777-00-0-1 |
| | Veka Slide | 1 | K-17940-00-0-1 |
| | Veka Softline 58 | 1 | K-17778-00-0-1 |
| | Veka Softline 70 | 1 | K-17779-00-0-1 |
| | Veka Topline | 1 | K-17776-00-0-1 |
| | Single parts | | |
| | 1 rod, complete | | 6-33804-00-0-1 |
| | 1 top keeper | | (acc. to profile) |
| | 1 guide plate | | (acc. to profile) |
| | 1 adjusting ring complete | | 6-33827-00-0-1 |
| | 1 compression spring | | 9-43802-00-0-0 |
| | 1 reverser | | 9-33051-00-0-1 |
| | 1 riveted bolt | | 9-41935-00-0-1 |
| | 1 lowering-safeguard slider | | 6-25576-00-0-1 |
| | 1 safety guide | | (acc. to profile) |
| | 1 distance piece | | (acc. to profile) |

[1] * = Colour: 1 = EV 1



for Lift&slide elements with high sash weights

Safe operation of large and heavy elements

Benefits:

- The HS-SPEED *Limiter* prevents the sliding sash from accelerating to avoid
 - personal injury
 - damage to the structure
- Unrestricted ease of operation
- Simple installation; retrofitable
- Ideally suited for installation in public buildings such as, e.g. schools
- Suitable for elements of timber, PVC, and aluminium

Range of application

| | |
|--------------------|-----------------------|
| Sash width | max. 3300 mm [1] |
| Sash height | max. 2765 mm [1], [2] |
| Sash weight | max. 400 kg [1] |
| Sash configuration | pattern A and C |

[1] Adapted to the GU-934 Lift&Slide hardware system
 [2] Adapted to the GU-937 Lift&Slide hardware system

Hardware requirements depending on sash width for patterns A and C

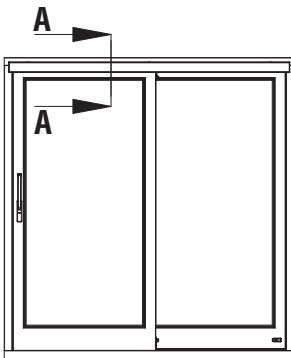
| Qty. | Description | PU | Order no. |
|------|---|----|----------------|
| A C | | | |
| 1 2 | HS-SPEED <i>Limiter</i> basic set for sash weights up to 400 kg | 1 | K-17179-20-0-1 |
| | HS-SPEED <i>Limiter</i> profiles set[1] | | |
| | SW TFW | | |
| 1 | -1450 - 3000 | 1 | K-17180-30-0-* |
| 1 | - 6700 | 1 | K-17180-67-0-* |
| 1 | 1451-1700 3001- 3500 | 1 | K-17180-35-0-* |
| 2 | 6701- 7000 | 1 | K-17180-35-0-* |
| 1 | 1701-1950 3501- 4000 | 1 | K-17180-40-0-* |
| 2 | 7001- 8000 | 1 | K-17180-40-0-* |
| 1 | 1951-2200 4001- 4500 | 1 | K-17180-45-0-* |
| 2 | 8001- 9000 | 1 | K-17180-45-0-* |
| 1 | 2201-2450 4501- 5000 | 1 | K-17180-50-0-* |
| 2 | 9001-10000 | 1 | K-17180-50-0-* |
| 1 | 2451-3300 5001- 6700 | 1 | K-17180-67-0-* |
| 2 | 10001-13400 | 1 | K-17180-67-0-* |

[1] * = Colour: 1 = EV 1, 5 = UC 5, 7 = white

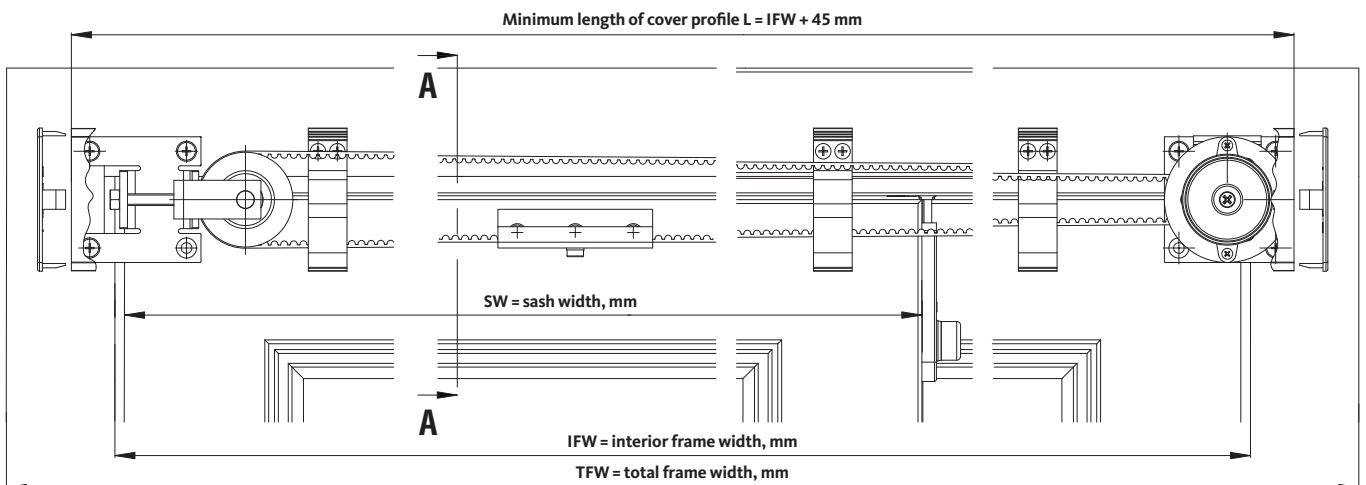
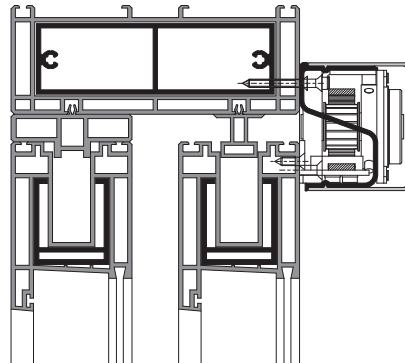
Note:

Pattern A = pattern D inner sash
 Pattern C = pattern F inner sash

View from inside

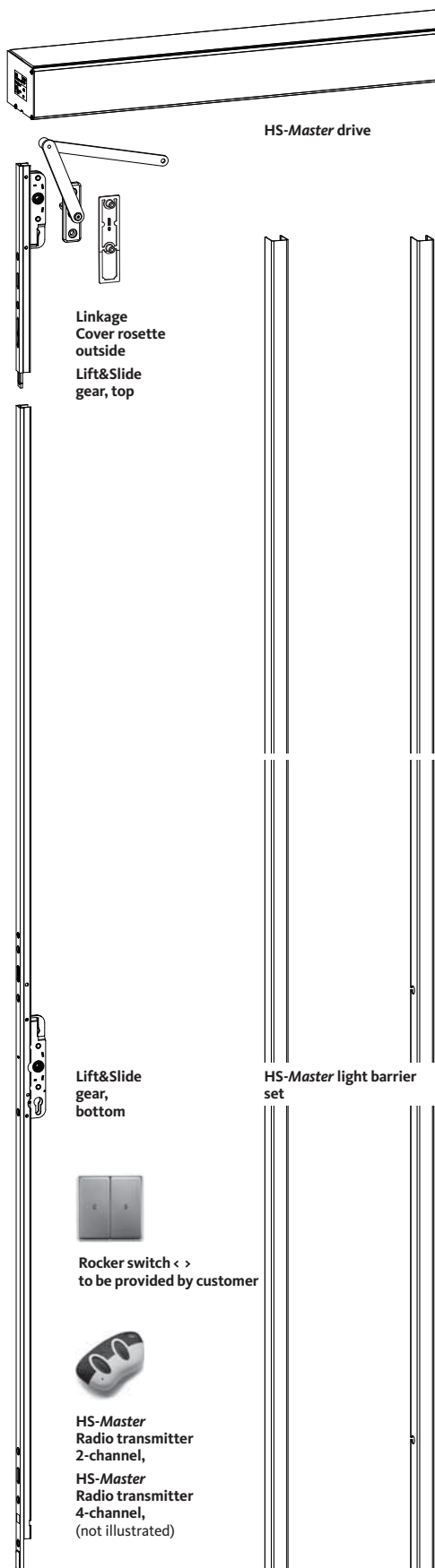


Section A - A





for GU-934 Lift&Slide hardware – 10 mm and 28 mm sash distance, guide tracks according to profile



HS-Master Lift&Slide hardware system

Hardware requirements for patterns A and C

| Qty. | Description | PU | Order no. | Pattern C | |
|--|-------------|-----------|-----------|------------------|------------------|
| A | C | | Pattern A | | |
| I. HS-Master drive – standard design | | | | | |
| 1 | 1 | 230 V | 1 | 6-32205-98-L/R-* | 6-33625-98-L/R-* |
| | | 110 V | 1 | 6-33283-98-L/R-* | |
| Standard design for – operation via handle / Push & Go – operation via rocker switch (provided by customer) Manufacture according to ordering specifications | | | | | |
| altern. HS-Master drive [1] | | | | | 6-33626-98-L/R-* |
| | | 230 V | 1 | 6-32654-98-L/R-* | |
| | | 110 V | 1 | 6-33284-98-L/R-* | |
| same as standard design, additional feature: prepared control by handheld radio transmitter (radio receiver and 1 transmitter built in, further transmitters as accessories) | | | | | |
| II. HS-Master drive with light barrier set | | | | | |
| 1 | – | 230 V | 1 | 6-32650-98-L/R-* | |
| | | 110 V | 1 | 6-33285-98-L/R-* | |
| same as standard design, additional feature: prepared for light barrier set | | | | | |
| altern. HS-Master drive [1] | | | | | |
| | | 230 V | 1 | 6-32651-98-L/R-* | |
| | | 110 V | 1 | 6-33286-98-L/R-* | |
| same as standard design, additional feature: prepared control by handheld radio transmitter (radio receiver and 1 transmitter built in, further transmitters as accessories) prepared for light barrier set | | | | | |
| 1 | – | 230/110 V | 1 | K-16772-00-0-* | |
| Contents 2 light barrier rails (LH + RH) 2 light barrier transmitters, 2 light barrier receivers 8 guides | | | | | |
| III. HS-Master drive with light curtain | | | | | |
| 1 | – | 230 V | 1 | 6-32652-98-L/R-* | |
| | | 110 V | 1 | 6-33287-98-L/R-* | |
| same as standard design, additional feature: prepared for light curtain inside | | | | | |
| altern. HS-Master drive [1] | | | | | |
| | | 230 V | 1 | 6-32653-98-L/R-* | |
| | | 110 V | 1 | 6-33288-98-L/R-* | |
| same as standard design, additional feature: prepared control by handheld radio transmitter (radio receiver and 1 transmitter built in, further transmitters as accessories) prepared for light curtain inside | | | | | |
| 1 | – | 230/110 V | 1 | 6-32640-00-0-0 | |
| Light curtain for HS-Master – outside | | | | | |
| Generally required for design I., II. and III. | | | | | |
| 1 | 2 | | 1 | K-16750-00-0-* | K-16750-00-0-* |
| Contents 1 linkage, 1 cover rosette, outside 1 fixing material | | | | | |
| 1 | 2 | | 1 | K-16748-00-0-1 | K-16748-00-0-1 |
| Contents 2 HS-Master Lift&Slide gears (top / bottom) 1 connecting rod, 1 drilling template | | | | | |
| – | 1 | | | (on request) | (on request) |
| 1 | 2 | | | | |
| Accessories set according to profile | | | | | |
| 1 | 2 | | | | |
| GU-934 Lift&Slide hardware w/o Lift&Slide gear | | | | | |

[1] * Colour: 1 = EV 1, 5 = UC 5, 7 = white

HS-Master accessories

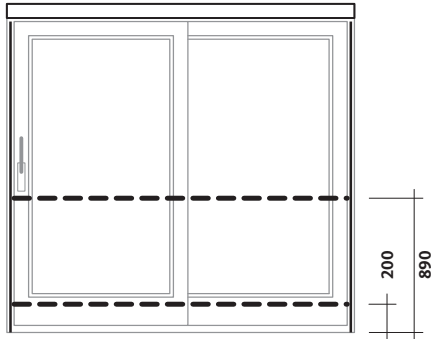
Hardware requirements for patterns A and C

| Qty. | Description | Colour | PU | Order no. | |
|--|---|-----------------|----|----------------|----------------|
| 1* | HS-Master radio transmitter, 2-channel, with GU-specific coding for HS-Master with radio receiver (2 CR 2016 replacement batteries) | grey-blue | 1 | 6-32264-01-0-0 | 6-32264-01-0-0 |
| | | grey-burgundy | 1 | 6-32264-02-0-0 | 6-32264-02-0-0 |
| | | grey-anthracite | 1 | 6-32264-03-0-0 | 6-32264-03-0-0 |
| | | grey-red | 1 | 6-32264-04-0-0 | 6-32264-04-0-0 |
| altern. HS-Master radio transmitter, 4-channel | | | | | |
| | | grey-yellow | 1 | 6-33788-00-0-0 | 6-33788-00-0-0 |
| 1 | HS-Master radio receiver card | | 1 | 6-32627-00-0-0 | |
| 2 | HS-Master radar sensors | | 1 | A-7032830 | |
| 1 | Rocker switch < > – to be provided by customer – Make: JUNG 535 U or equivalent | | | | |

* = min. 1 unit, max. 85 units possible

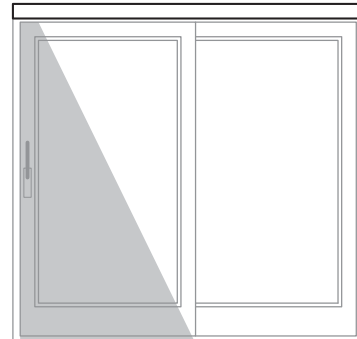


Safety functions



Upper light barrier

Lower light barrier



Inside light curtain is preinstalled

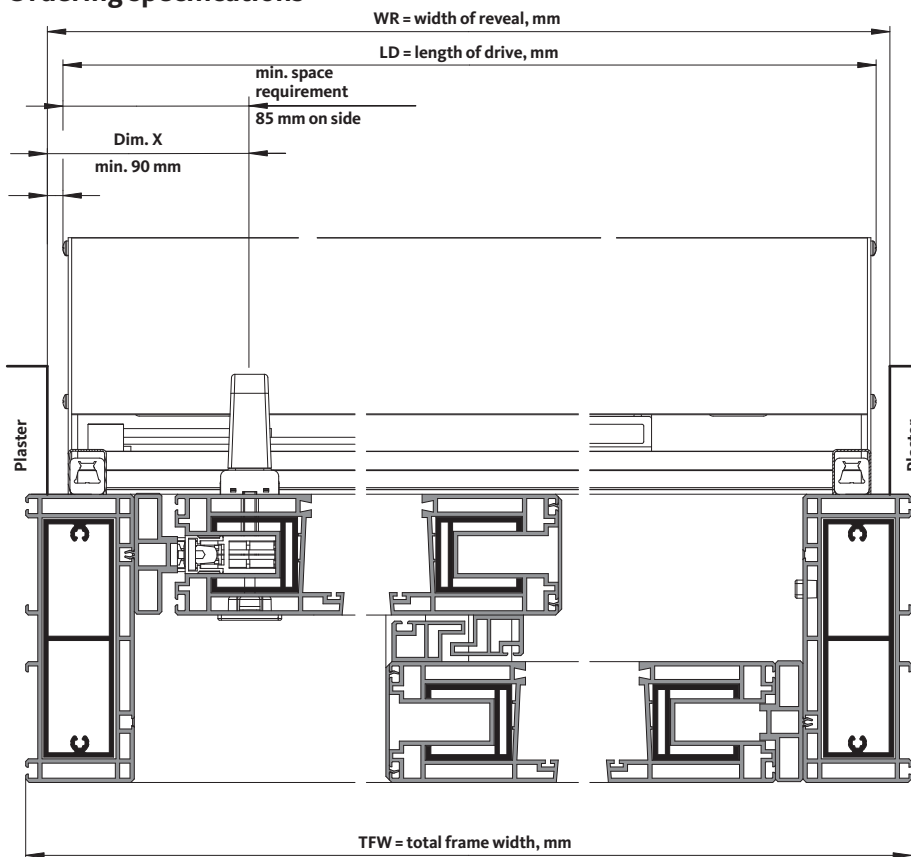
Outside light curtain is delivered separately

Width of light curtain approx. 1500 mm

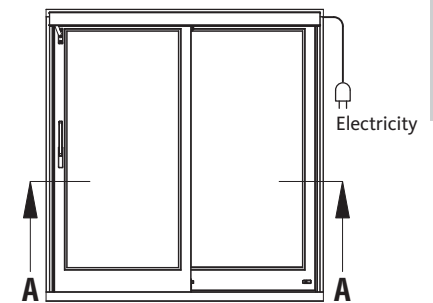
Safeguarding with light barrier

Safeguarding with light curtain

Ordering specifications



View from inside



Notes

- LD is at least 17 mm shorter than the drive
- LD includes the screw heads on both sides (5 to 10 mm, each)
- If dimension X on the handle side exceeds 90 mm (e.g. X = 129 mm), a gap arises between drive housing and cover profile; if necessary, the drive must be ordered with a special length.
- The passage width is reduced by 150 mm (anti-trap protection). However, the door can be opened if necessary.

Section A – A (fig. shows LH handle, viewing direction from bottom to top)

Ordering specifications

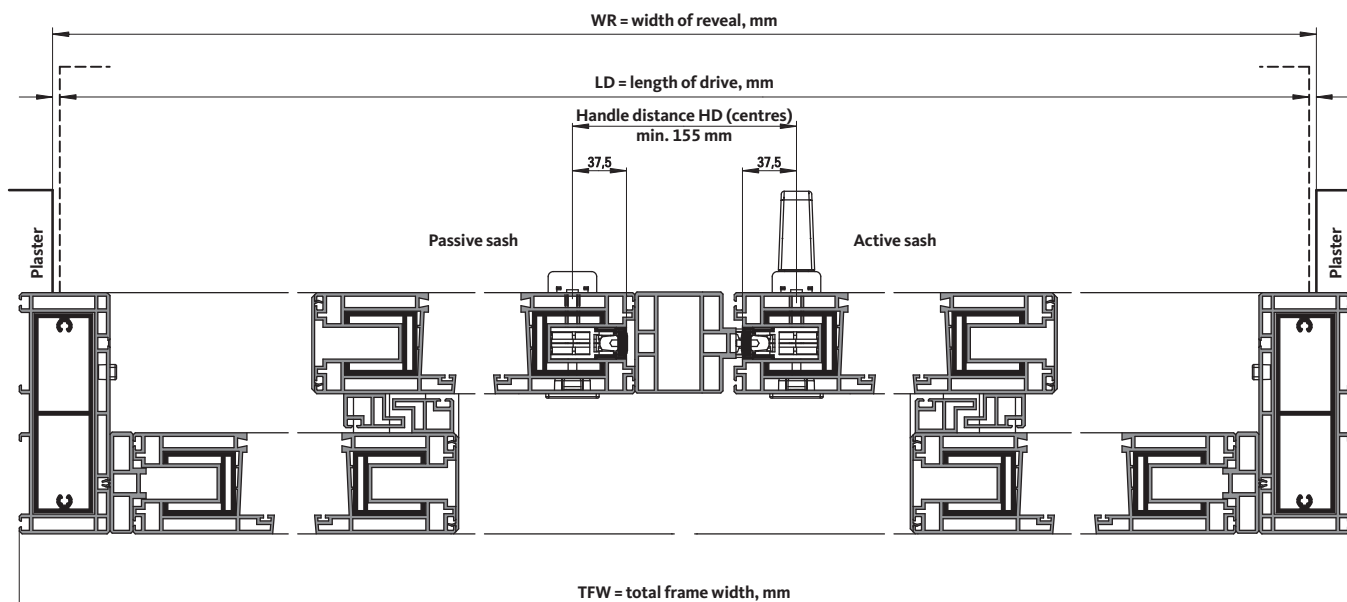
| Description | Dimensions, mm |
|--------------------------------------|----------------|
| Length of drive LD = | _____ |
| Dim. X (min. 90) X = | _____ |
| Handle position | [] LH [] RH |
| Width of reveal WR = | _____ |
| Total frame width TFW = | _____ |
| Sash width SW = | _____ |
| Sash height SH = | _____ |
| Profile system specifications | |
| Manufacturer | _____ |
| Profile series | _____ |

Application range with pattern A

| Description | Dimensions |
|------------------------------|--------------|
| Min. length of drive LD min. | 1900 mm |
| Sash width SW | 950-3300 mm |
| Sash height SH | 1855-2765 mm |
| Sash weight | up to 300 kg |
| Installation drawings | |
| Installation and maintenance | M-00098-00 |
| Operating instructions | M-00099-00 |

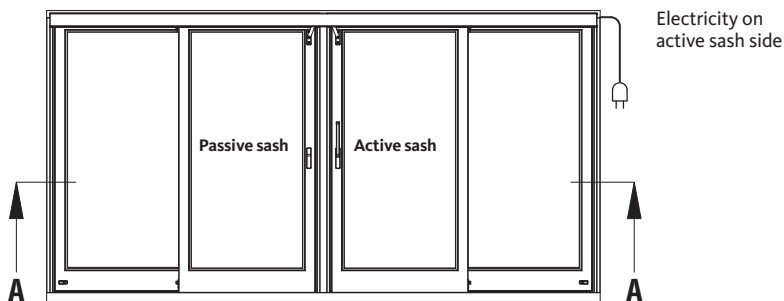


Ordering specifications



Section A – A (fig. shows active sash with LH handle, viewing direction from bottom to top)

View from inside



Section C (fig. shows active sash with LH handle)

Ordering specifications

| Description | Dimensions, mm |
|--------------------------------------|----------------|
| Length of drive | LD = _____ |
| Handle distance (centres) | HD = _____ |
| Handle of active sash | [] LH [] RH |
| Width of reveal | WR = _____ |
| Total frame width | TFW = _____ |
| Sash width | SW = _____ |
| Sash height | SH = _____ |
| Sash thickness | ST = _____ |
| Sash distance | SD = _____ |
| Profile system specifications | |
| Manufacturer | _____ |
| Profile series | _____ |

Application range with pattern C

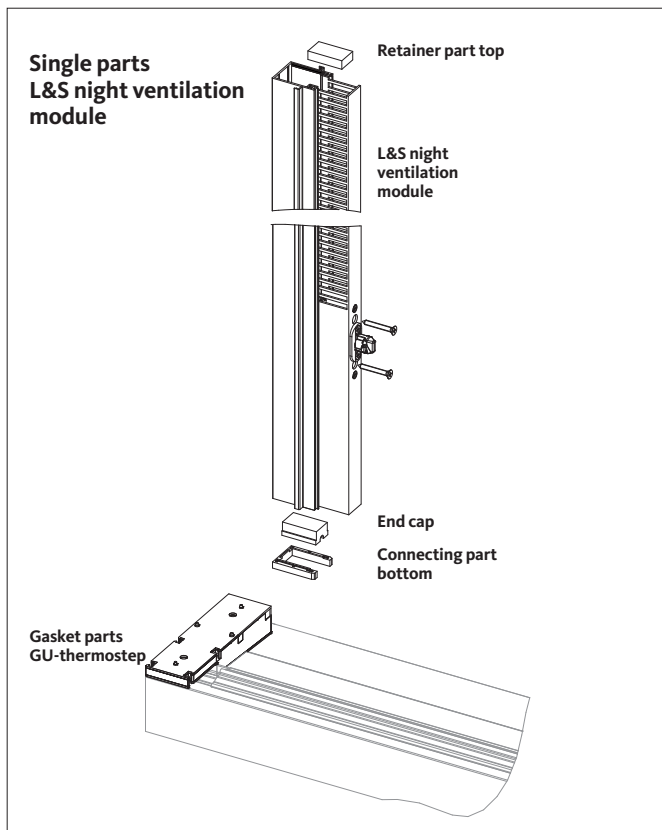
| Description | Dimensions |
|------------------------------|--------------|
| Min. length of drive LD min. | 3800 mm |
| Sash width SW | 950-3300 mm |
| Sash height SH | 1855-2765 mm |
| Sash weight | up to 300 kg |

Installation drawings

| | |
|------------------------------|------------|
| Installation and maintenance | M-00098-00 |
| Operating instructions | M-00099-00 |
| For pattern C | M-00139-00 |



for GU-934 and GU-937 Lift&Slide hardware – sash clearance and guide tracks according to profile



Hardware requirements depending on sash height for pattern A Profile systems Veka Slide, Rehau Geneo

| Qty. | Description | PU | Order no. |
|----------|--|----|----------------|
| 1 | Inside turn handle set – 90° rest DIRIGENT with PC hole [1] [2] | 1 | K-13263-00-0-* |
| altern.: | Turn handle set, both sides – 90° rest DIRIGENT with PC hole [1] [2] | 1 | K-13264-00-0-* |
| 1 | L&S night ventilation module – Veka Slide, complete SH | | |
| | 1220-1850 | 1 | K-17953-19-0-1 |
| | 1828-2302 | 1 | K-17953-44-0-1 |
| | 1851-2350 | 1 | K-17953-24-0-1 |
| | 2100-2750 | 1 | K-17953-28-0-1 |
| | Contents: 1 L&S night vent module, 4 Countersunk sheet metal screw, 2 P 1867 gasket | | |
| 1 | L&S night vent accessories set – Veka Slide | 1 | K-17952-00-0-1 |
| | Contents: 1 end cap, 1 connecting part bottom 1 retainer part top, 1 gasket top 6 countersunk sheet metal screw | | |
| 1 | L&S night ventilation module – Rehau Geneo, complete SH | | |
| | 1140-1526 | 1 | K-18065-19-0-1 |
| | 1597-1983 | 1 | K-18065-44-0-1 |
| | 1817-2203 | 1 | K-18065-24-0-1 |
| | 2067-2353 | 1 | K-18065-28-0-1 |
| | Contents: 1 L&S night vent module, 18 Spax screw 2 P 1892 gasket | | |
| 1 | L&S night vent accessories set – Rehau Geneo | 1 | K-18076-00-0-1 |
| | Contents: 1 end cap, 1 connecting part bottom 1 retainer part top, 1 gasket top 6 countersunk sheet metal screw | | |

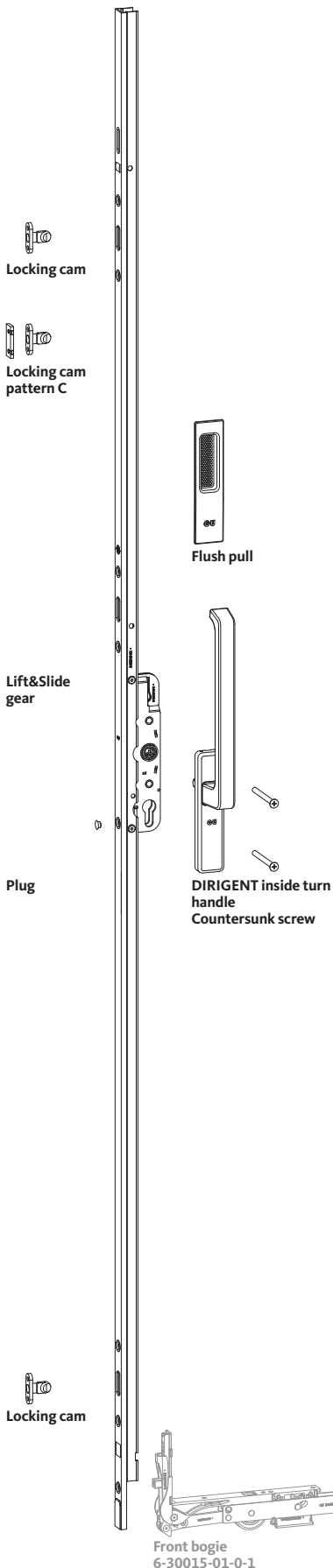
[1] * Colour: 1 = EV 1, 2 = EV 2, 4 = UC 3, 5 = UC 5, 6 = black, 7 = white
 [2] = More handles see pages "Turn handles for windows and patio doors, accessories"
 Installing drawing Veka Slide 0-45551
 Installing drawing Rehau Geneo 0-45602



Hardware requirements depending on sash size for patterns A and C Profile systems Aluplast Ideal 4000, Deceuninck, EuroFutur / PremiDoor

| Qty. | Ref. | Description | PU | Aluplast Ideal 4000 | Deceuninck | EuroFutur / PremiDoor [9] |
|------|------|---|----------------|------------------------|----------------|------------------------------|
| A | C | dim. | | | | |
| 1 | 2 | GU-934 bogies set | 1 | K-16488-00-0-1 | K-16488-00-0-1 | K-16488-00-0-1 |
| 1 | 2 | GU-934 K additional hardware set | 1 | K-17431-00-0-0 | K-16630-00-0-0 | K-16728-00-0-0 |
| 1 | 1 | Corner connecting parts set [7] | 1 | K-16727-00-0-1 | | K-17011-00-0-1 |
| 1 | 2 | DIRIGENT inside turn handle [1] | 1 | 6-24608-00-0-* | K-13265-00-0-* | 6-24606-00-0-* |
| 1 | 2 | Flush pull [1] | 1 | 9-29992-01-0-* | | 9-29526-00-0-* |
| 1 | 2 | GU-934 Lift&Slide gear [1] [8] | | | | |
| | | Length G [6] | | SH | | SH |
| | | Order no. | | | | |
| | | 1190 ~ 410 | 6-30021-11-0-* | 10 | 864-1284 | 865-1285 |
| | | 1770 ~ 410 | 6-30021-19-0-* | 10 | 1234-1864 | 1235-1865 |
| | | 2270 ~1010 | 6-30021-24-0-* | 10 | 1864-2364 | 1865-2365 |
| | | 2670 ~1010 | 6-30021-28-0-* | 10 | 2114-2764 | 2115-2765 |
| 1 | 2 | GU-934 Lift&Slide gear [1] [8] | | | SH | |
| | | Length G [6] | | | | |
| | | Order no. | | | | |
| | | 2270 ~1010 | 6-33326-00-0-* | 1 | | 1830-2380 |
| 1 | 2 | Connecting rod Ø 8 | | | | |
| | | Length G | | SW | SW | SW |
| | | Order no. | | | | |
| | | 1100 | 9-25476-11-0-1 | 1 | 700-1600 | 750-1600 |
| | | 1350 | 9-25476-14-0-1 | 1 | 1601-1850 | 1601-1850 |
| | | 1850 | 9-25476-18-0-1 | 1 | 1851-2350 | 1851-2350 |
| | | 3300 | 9-25476-33-0-1 | 1 | 2351-3300 | 2351-3300 |
| 1 | 1 | TFW GU-thermostep base profile [2] | 1 | 6-29938-**-0-* | 6-29938-**-0-* | 6-29938-**-0-* |
| 1 | 1 | TFW Tread threshold set [1] | 1 | K-15877-**-0-* | K-15655-**-0-* | K-15877-**-0-* |
| 1 | 2 | FS Attachment track A set [3] | 1 | K-16395-**-0-* | K-16648-**-0-* | K-16395-**-0-* |
| 1 | 1 | TFW Anti-moisture foil, 50 m | 1 | 9-39737-25-0-6 | 9-39737-25-0-6 | 9-39737-25-0-6 |
| 1 | 1 | m Wall anchor [4] | 1 | 9-40086-00-0-1 | 9-40086-00-0-1 | 9-40086-00-0-1 |
| 2 | 2 | m Packer [5] | 1 | 9-43065-00-0-1 | 9-43065-00-0-1 | 9-43065-00-0-1 |

- [1] * = Colour: 1 = EV 1, 5 = UC 5
 [2] * = Colour: 1 = EV 1, 5 = UC 5 (only size 50)
 [3] * = Colour: 1 = EV 1, 5 = UC 5 (only size 25)
 [4] = 1 wall anchor per m of GU-thermostep
 [5] = 2 packers per m of GU-thermostep
 [6] = Exact handle position depending on profile dim.
 [7] = assembly: frame standing on top of threshold
 [8] = Up to 200 kg sash weight with tension spring 9-40235-05-0-0
 [9] = Eurofutur / PremiDoor pattern E with additional hardware set K-17385-00-0-0



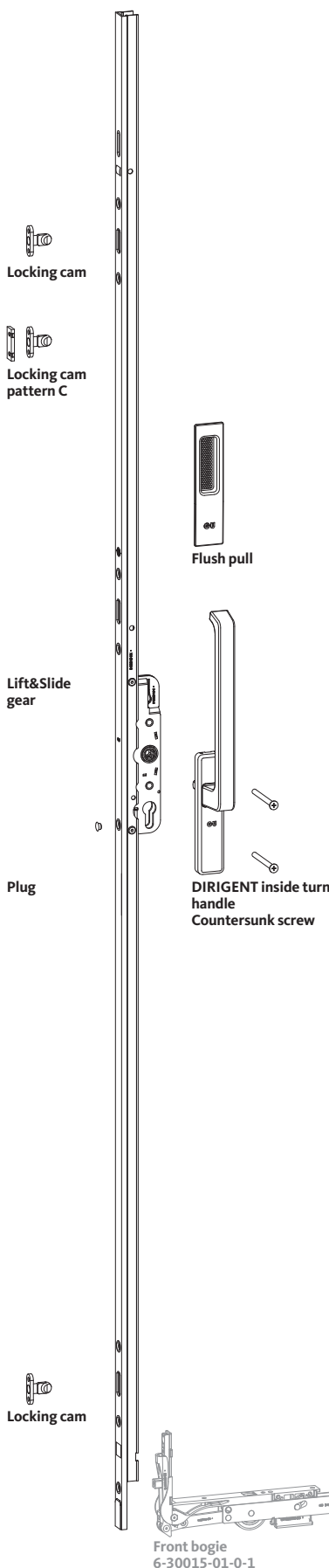
F



Hardware requirements depending on sash size for patterns A and C Profile systems Gealan series S 8000, Rehau Brillant Design S 785, Rehau Geneo

| Qty. | Ref. | Description | PU | Gealan S 8000 | Rehau Brillant Design S 785 | Rehau Geneo |
|------|------|--|----|----------------|-----------------------------|--------------------|
| A | C | dim. | | | | |
| 1 | 2 | GU-934 bogies set | 1 | K-16488-00-0-1 | K-16488-00-0-1 | K-16488-00-0-1 |
| 1 | 2 | GU-934 K additional hardware set | 1 | K-16778-00-0-0 | K-16744-00-0-0 | K-17966-00-0-0 |
| 1 | 1 | Corner connecting parts set [7] | 1 | K-17116-00-0-1 | K-17326-00-0-0 | K-17914-00-0-1 |
| 1 | 2 | DIRIGENT inside turn handle [1] | 1 | 6-24606-00-0-* | 6-24608-00-0-* | 6-24606-00-0-* |
| 1 | 2 | Flush pull [1] | 1 | 9-29992-01-0-* | 9-29992-01-0-* | 9-29992-01-0-* |
| 1 | 1 | Bridging gasket | 1 | | | 6-22154-06-0-0 |
| 1 | 1 | Profile groove support set | 1 | | | K-18191-00-0-0 |
| 1 | 1 | Locking cam – up to SH 2300 mm | 1 | | | 6-22648-03-0-8 |
| 2 | 2 | Countersunk screw 4.8 x 45 for locking bolt | 1 | | | 9-13089-45-R-1 |
| 1 | 2 | SH GU-934 Lift&Slide gear [1] [8] | | | | |
| | | Length G [6] Order no. | | SH | SH | |
| | | 1190 ~ 410 6-30021-11-0-* | 10 | 859-1279 | 795-1215 | |
| | | 1770 ~ 410 6-30021-19-0-* | 10 | 1229-1859 | 1165-1795 | |
| | | 2270 ~1010 6-30021-24-0-* | 10 | 1859-2359 | 1795-2295 | |
| | | 2670 ~1010 6-30021-28-0-* | 10 | 2109-2759 | 2045-2695 | |
| 1 | 2 | SH GU-934 Lift&Slide gear [1] [8] | | | | SH |
| | | Length G [6] Order no. | | | | |
| | | 1140 ~ 403,5 6-30021-19-0-* | 10 | | | 1140-1526 |
| | | 770 ~ 403,5 6-30021-11-0-* | 10 | | | 1317-1737 [9] |
| | | 1550 ~1003,5 6-30021-44-0-* | 10 | | | 1597-1983 |
| | | 1770 ~1003,5 6-30021-24-0-* | 10 | | | 1817-2203 |
| | | 2020 ~1003,5 6-30021-28-0-* | 10 | | | 2067-2353 |
| | | 1770 ~1003,5 6-30021-24-0-* | 10 | | | 2317-2700 [9] |
| 1 | 2 | SW Connecting rod Ø 8 | | | | |
| | | Length G Order no. | | SW | SW | SW |
| | | 1100 9-25476-11-0-1 | 1 | 700-1600 | 720-1600 | 720-1600 |
| | | 1350 9-25476-14-0-1 | 1 | 1601-1850 | 1601-1850 | 1601-1850 |
| | | 1850 9-25476-18-0-1 | 1 | 1851-2350 | 1851-2350 | 1851-2350 |
| | | 3300 9-25476-33-0-1 | 1 | 2351-3300 | 2351-3300 | 2351-3300 |
| 1 | TFW | P 903 guide track [1] | | | | |
| | | SW Length | | | | |
| | | 800-1450 2900 | 1 | 9-27190-30-0-* | | |
| | | 1451-1700 3400 | 1 | 9-27190-35-0-* | | |
| | | 1701-1950 3900 | 1 | 9-27190-40-0-* | | |
| | | 1951-2200 4400 | 1 | 9-27190-45-0-* | | |
| | | 2201-2450 4900 | 1 | 9-27190-50-0-* | | |
| | | 2451-3300 6600 | 1 | 9-27190-67-0-* | | |
| 1 | 1 | TFW GU-thermostep base profile [2] | 1 | 6-29938-**-0-* | 6-29938-**-0-* | 6-35221-**-0-* [9] |
| 1 | 1 | TFW P 1839 cover profile | 1 | | | P-01839-**-0-1/6 |
| 1 | 1 | TFW Guide track set [1] | 1 | | | K-18038-**-0-* |
| 1 | 1 | TFW Tread threshold set [1] | 1 | K-15655-**-0-* | K-16643-**-0-* | K-18015-**-0-* |
| 1 | 2 | FS Attachment track A set [3] | 1 | K-16393-**-0-* | K-16743-**-0-* | K-18016-**-0-1/6 |
| 1 | 2 | Accessories A set | 1 | | | K-18017-00-0-1/6 |
| 1 | 1 | TFW Anti-moisture foil, 50 m | 1 | 9-39737-25-0-6 | 9-39737-25-0-6 | 9-39737-25-0-6 |
| 1 | 1 | m Wall anchor [4] | 1 | 9-40086-00-0-1 | 9-40086-00-0-1 | 9-40086-00-0-1 |
| 2 | 2 | m Packer [5] | 1 | 9-43065-00-0-1 | 9-43065-00-0-1 | 9-43065-00-0-1 |

[1] * = Colour: 1 = EV 1, 5 = UC 5
 [2] * = Colour: 1 = EV 1, 5 = UC 5 (only size 50)
 [3] * = Colour: 1 = EV 1, 5 = UC 5 (only size 25)
 [4] = 1 wall anchor per m of GU-thermostep
 [5] = 2 packers per m of GU-thermostep
 [6] = Exact handle position depending on profile dim.
 [7] = assembly: frame standing on top of threshold
 [8] = Up to 200 kg sash weight with tension spring 9-40235-05-0-0
 [9] = With gear extension 500 - 6-32030-00-0-1
 [10] = Alternatively: Threshold 6-29938-**-0-*, when a enlargement profile Rehau is not used.



GU-934 K Lift&Slide hardware

GU-thermostep

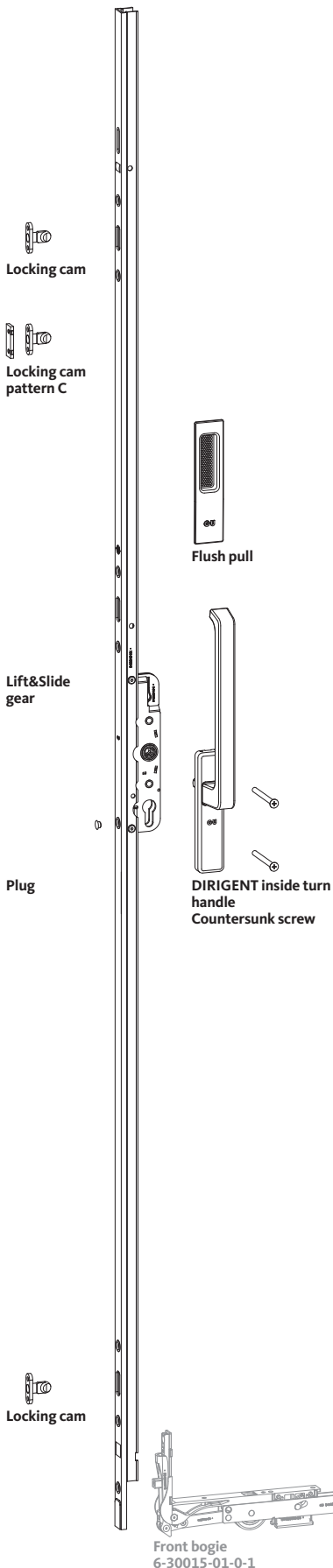


Hardware requirements depending on sash size for patterns A and C Profile systems Roplasto 4001, Salamander iD, Schüco Corona CT 70

| Qty. | Ref. | Description | PU | Roplasto 4001 | Salamander iD | Schüco Corona CT 70 |
|------|------|--|----------------|------------------|----------------|---------------------|
| A | C | dim. | | | | |
| 1 | 2 | GU-934 bogies set | 1 | K-16488-00-0-1 | K-16488-00-0-1 | K-16488-00-0-1 |
| 1 | 2 | GU-934 K additional hardware set | 1 | K-16778-00-0-0 | K-16417-00-0-0 | K-16642-00-0-0 |
| 1 | 2 | Guide track set | 1 | | | K-16578-00-0-6 |
| 1 | 1 | Corner connecting parts set [7] | 1 | | | K-16726-00-0-1 |
| 1 | 2 | DIRIGENT inside turn handle [1] | 1 | 6-24606-00-0-* | 6-24608-00-0-* | 6-24606-00-0-* |
| 1 | 2 | Flush pull [1] | 1 | 9-29992-01-0-* | 9-29992-01-0-* | 9-29992-01-0-* |
| 1 | 2 | SH GU-934 Lift&Slide gear [1] [8] | | SH | SH | SH |
| | | Length G [6] | | | | |
| | | Order no. | | | | |
| | | 1190 ~ 410 | 6-30021-11-0-* | 10 859-1279 | 853-1273 | 804-1224 |
| | | 1770 ~ 410 | 6-30021-19-0-* | 10 1229-1859 | 1223-1853 | 1174-1804 |
| | | 2270 ~1010 | 6-30021-24-0-* | 10 1859-2359 | 1853-2353 | 1804-2303 |
| | | 2670 ~1010 | 6-30021-28-0-* | 10 2109-2759 | 2103-2753 | 2054-2704 |
| 1 | 2 | SW Connecting rod Ø 8 | | SW | SW | SW |
| | | Length G | | | | |
| | | Order no. | | | | |
| | | 1100 | 9-25476-11-0-1 | 1 700-1600 | 720-1600 | 720-1600 |
| | | 1350 | 9-25476-14-0-1 | 1 1601-1850 | 1601-1850 | 1601-1850 |
| | | 1850 | 9-25476-18-0-1 | 1 1851-2350 | 1851-2350 | 1851-2350 |
| | | 3300 | 9-25476-33-0-1 | 1 2351-3300 | 2351-3300 | 2351-3300 |
| 1 | TFW | P 903 guide track [1] | | | | |
| | | SW | | | | |
| | | Length | | | | |
| | | 800-1450 | 2900 | 1 9-27190-30-0-* | | |
| | | 1451-1700 | 3400 | 1 9-27190-35-0-* | | |
| | | 1701-1950 | 3900 | 1 9-27190-40-0-* | | |
| | | 1951-2200 | 4400 | 1 9-27190-45-0-* | | |
| | | 2201-2450 | 4900 | 1 9-27190-50-0-* | | |
| | | 2451-3300 | 6600 | 1 9-27190-67-0-* | | |
| 1 | 1 | TFW GU-thermostep base profile [2] | 1 | 6-29938-**-0-* | 6-29938-**-0-* | 6-29938-**-0-* |
| 1 | 1 | TFW Tread threshold set [1] | 1 | K-15655-**-0-* | K-15655-**-0-* | K-16643-**-0-* |
| 1 | 2 | FS Attachment track A set [3] | 1 | K-16393-**-0-* | K-16393-**-0-* | K-16644-**-0-* |
| 1 | 2 | TFW P 1659 /10 roller track | 1 | | | 9-39330-**-0-* |
| 1 | 1 | TFW Anti-moisture foil, 50 m | 1 | 9-39737-25-0-6 | 9-39737-25-0-6 | 9-39737-25-0-6 |
| 1 | 1 | m Wall anchor [4] | 1 | 9-40086-00-0-1 | 9-40086-00-0-1 | 9-40086-00-0-1 |
| 2 | 2 | m Packer [5] | 1 | 9-43065-00-0-1 | 9-43065-00-0-1 | 9-43065-00-0-1 |

[1] * = Colour: 1 = EV 1, 5 = UC 5
 [3] * = Colour: 1 = EV 1, 5 = UC 5 (only size 25)
 [5] = 2 packers per m of GU-thermostep
 [7] = assembly: frame standing on top of threshold

[2] * = Colour: 1 = EV 1, 5 = UC 5 (only size 50)
 [4] = 1 wall anchor per m of GU-thermostep
 [6] = Exact handle position depending on profile dim.
 [8] = Up to 200 kg sash weight with tension spring 9-40235-05-0-0



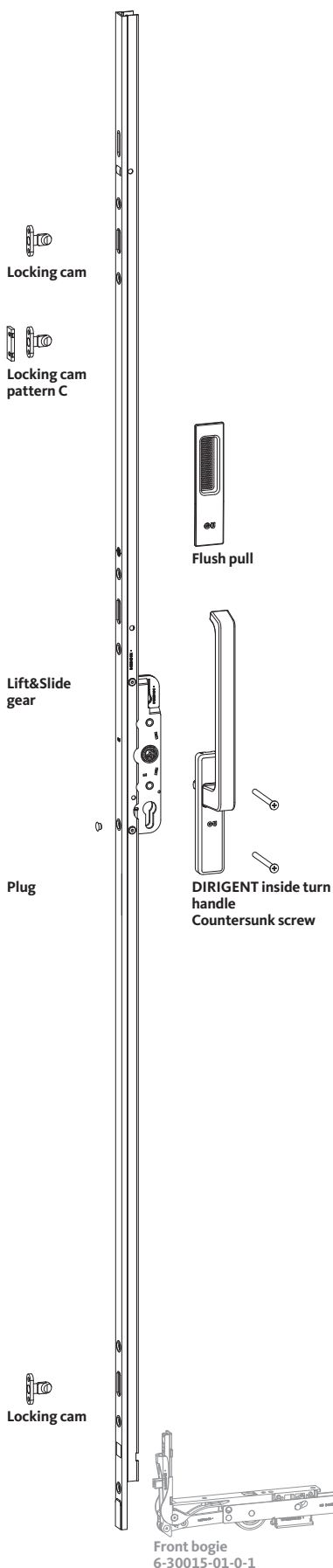
F



Hardware requirements depending on sash size for patterns A and C Profile systems Inoutic AD (Thyssen AD), Veka Slide, Veka Softline 58

| Qty. | Ref. | Description | PU | Inoutic AD (Thyssen AD) | Veka Slide | Veka Softline 58 |
|------|------|---|----------------|----------------------------|----------------|------------------|
| A | C | dim. | | | | |
| 1 | 2 | GU-934 bogies set | 1 | K-16488-00-0-1 | K-16488-00-0-1 | K-16488-00-0-1 |
| 1 | 2 | GU-934 K additional hardware set | 1 | K-16634-00-0-0 [9] | | K-16474-00-0-0 |
| 1 | 1 | GU-934 K additional hardware set A | 1 | | K-18002-00-0-0 | |
| 1 | 1 | GU-934 K additional hardware set C | 1 | | K-18011-00-0-0 | |
| 1 | 1 | Corner connecting parts set A [7] | 1 | | K-17871-00-0-* | |
| 1 | 1 | Corner connecting parts set C [7] | 1 | | K-17871-10-0-* | |
| 1 | 2 | DIRIGENT inside turn handle [1] | 1 | 6-24606-00-0-* | 6-24608-00-0-* | 6-24608-00-0-* |
| 1 | 2 | Flush pull [1] | 1 | 9-29992-02-0-* | 9-29992-02-0-* | |
| 3 | | Threaded plate | 1 | | | 9-24414-00-0-0 |
| 6 | | Countersunk screw M 5 x 20 | 1 | | | 9-13133-20-0-0 |
| 1 | 2 | GU-934 Lift&Slide gear [1] [8] | | | | |
| | | Length G [6] | Order no. | SH | | SH |
| | | 1190 ~ 410 | 6-30021-11-0-* | 10 | 830-1250 | 815-1235 |
| | | 1770 ~ 410 | 6-30021-19-0-* | 10 | 1200-1830 | 1185-1815 |
| | | 2270 ~ 1010 | 6-30021-24-0-* | 10 | 1830-2330 | 1815-2315 |
| | | 2670 ~ 1010 | 6-30021-28-0-* | 10 | 2080-2730 | 2065-2715 |
| 1 | 2 | GU-934 Lift&Slide gear [1] [8] | | | SH | |
| | | Length G [6] | Order no. | | SH | |
| | | 1190 ~ 410 | 6-30019-11-0-* | 10 | 850-1270 | |
| | | 1770 ~ 410 | 6-30019-19-0-* | 10 | 1220-1850 | |
| | | 2270 ~ 1010 | 6-30019-24-0-* | 10 | 1850-2350 | |
| | | 2670 ~ 1010 | 6-30019-28-0-* | 10 | 2100-2750 | |
| 1 | 2 | Connecting rod Ø 8 | | | SW | SW |
| | | Length G | Order no. | | SW | SW |
| | | 1100 | 9-25476-11-0-1 | 1 | 720-1600 | 720-1600 |
| | | 1350 | 9-25476-14-0-1 | 1 | 1601-1850 | 1601-1850 |
| | | 1850 | 9-25476-18-0-1 | 1 | 1851-2350 | 1851-2350 |
| | | 3300 | 9-25476-33-0-1 | 1 | 2351-3300 | 2351-3300 |
| 1 | 1 | TFW GU-thermostep base profile [2] | 1 | 6-29938-**-0-* | 6-29938-**-0-* | 6-29938-**-0-* |
| 1 | 1 | TFW Tread threshold set [1] | 1 | K-15875-**-0-* | K-18004-**-0-* | K-15657-**-0-* |
| 1 | 1 | TFW Sealing tape for fixed sash | 1 | | 9-47108-00-0-6 | |
| 1 | 2 | FS Attachment track A set [3] | 1 | K-16389-**-0-* | K-18005-**-0-1 | K-15662-**-0-* |
| 1 | 2 | Accessories A set | 1 | | K-18006-00-0-1 | |
| 1 | 1 | TFW Anti-moisture foil, 50 m | 1 | 9-39737-25-0-6 | 9-39737-25-0-6 | 9-39737-25-0-6 |
| 1 | 1 | m Wall anchor [4] | 1 | 9-40086-00-0-1 | 9-40086-00-0-1 | 9-40086-00-0-1 |
| 2 | 2 | m Packer [5] | 1 | 9-43065-00-0-1 | 9-43065-00-0-1 | 9-43065-00-0-1 |

[1] * = Colour: 1 = EV 1, 5 = UC 5
 [2] * = Colour: 1 = EV 1, 5 = UC 5 (only size 50)
 [3] * = Colour: 1 = EV 1, 5 = UC 5 (only size 25)
 [4] = 1 wall anchor per m of GU-thermostep
 [5] = 2 packers per m of GU-thermostep
 [6] = Exact handle position depending on profile dim.
 [7] = assembly: frame standing on top of threshold
 [8] = Up to 200 kg sash weight with tension spring 9-40235-05-0
 [9] = When using the Thyssen threshold please order additional hardware set K-17580-00-0.



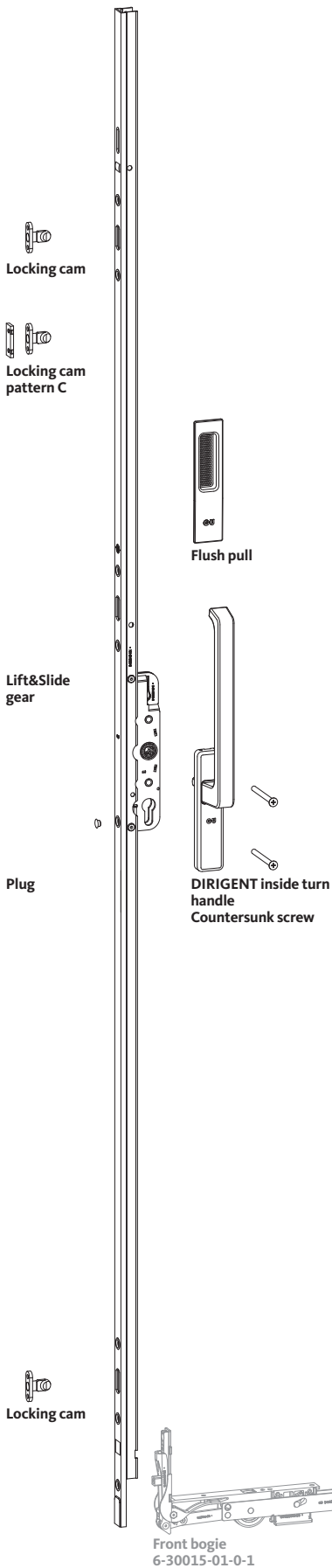


Hardware requirements depending on sash size for patterns A and C Profile systems Veka Softline 70, Veka Topline

| Qty. | Ref. | Description | PU | Veka Softline 70 | Veka Topline |
|------|------|--|----------------|------------------|--------------|
| A | C | dim. | | | |
| 1 | 2 | GU-934 bogies set | 1 | K-16488-00-0-1 | |
| 1 | 2 | GU-934 K additional hardware set | 1 | K-15517-00-0-0 | |
| 1 | 1 | Corner connecting parts set [7] | 1 | K-17287-00-0-1 | |
| 1 | 2 | DIRIGENT inside turn handle [1] | 1 | 6-24606-00-0-* | |
| 1 | 2 | SH GU-934 Lift&Slide gear [1] [8] | | SH | |
| | | Length G [6] | Order no. | | |
| | | 1190 ~ 410 | 6-30021-11-0-* | 10 | 829-1249 |
| | | 1770 ~ 410 | 6-30021-19-0-* | 10 | 1199-1829 |
| | | 2270 ~ 1010 | 6-30021-24-0-* | 10 | 1829-2329 |
| | | 2670 ~ 1010 | 6-30021-28-0-* | 10 | 2079-2729 |
| 1 | 2 | SW Connecting rod Ø 8 | | SW | |
| | | Length G | Order no. | | |
| | | 1100 | 9-25476-11-0-1 | 1 | 720-1600 |
| | | 1350 | 9-25476-14-0-1 | 1 | 1601-1850 |
| | | 1850 | 9-25476-18-0-1 | 1 | 1851-2350 |
| | | 3300 | 9-25476-33-0-1 | 1 | 2351-3300 |
| 1 | 1 | TFW GU-thermostep base profile [2] | 1 | 6-29938-**-0-* | |
| 1 | 1 | TFW Tread threshold set [1] | 1 | K-15659-**-0-* | |
| 1 | 2 | FS Attachment track A set [3] | 1 | K-15664-**-0-* | |
| 1 | 1 | TFW Anti-moisture foil, 50 m | 1 | 9-39737-25-0-6 | |
| 1 | 1 | m Wall anchor [4] | 1 | 9-40086-00-0-1 | |
| 2 | 2 | m Packer [5] | 1 | 9-43065-00-0-1 | |

[1] * = Colour: 1 = EV 1, 5 = UC 5
 [3] * = Colour: 1 = EV 1, 5 = UC 5 (only size 25)
 [5] = 2 packers per m of GU-thermostep
 [7] = assembly: frame standing on top of threshold

[2] * = Colour: 1 = EV 1, 5 = UC 5 (only size 50)
 [4] = 1 wall anchor per m of GU-thermostep
 [6] = Exact handle position depending on profile dim.
 [8] = Up to 200 kg sash weight with tension spring 9-40235-05-0-0



F

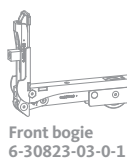
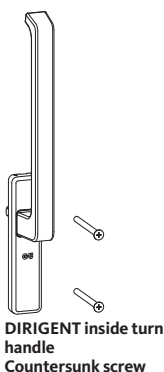


Fitting requirements according to size of sashes for scheme A Profile systems Profex, Wymar

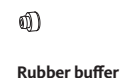
| Qty. A | Ref. dim. | Description | PU | Profex | Wymar |
|--------|-------------|--|----|----------------|----------------|
| 1 | | GU-937 bogies set | 1 | K-16721-00-0-1 | K-16493-00-0-1 |
| 1 | | Corner connecting parts set | 1 | | K-17814-00-0-1 |
| 1 | | DIRIGENT inside turn handle [1] | 1 | 6-24608-00-0-* | 6-24608-00-0-* |
| 1 | SH | GU-937 Lift&Slide gear [1] | | SH | SH |
| | | Length G [2] | | | |
| | | Order no. | | | |
| | 1190 ~ 410 | 6-30019-11-0-* | 10 | 820-1240 | 820-1240 |
| | 1770 ~ 410 | 6-30019-19-0-* | 10 | 1190-1820 | 1190-1820 |
| | 2270 ~ 1010 | 6-30019-24-0-* | 10 | 1821-2320 | 1821-2320 |
| | 2670 ~ 1010 | 6-30019-28-0-* | 10 | 2070-2720 | 2070-2720 |
| 1 | SW | Connecting rod Ø 8 | | SW | SW |
| | | Length G | | | |
| | | Order no. | | | |
| | 1100 | 9-25476-11-0-1 | 1 | 620-1600 | 620-1600 |
| | 1350 | 9-25476-14-0-1 | 1 | 1601-1850 | 1601-1850 |
| | 1850 | 9-25476-18-0-1 | 1 | 1851-2350 | 1851-2350 |
| | 3300 | 9-25476-33-0-1 | 1 | 2351-3300 | 2351-3300 |

[1] * = Colour: 1 = EV 1, 5 = UC 5

[2] = Exact handle position depending on profile dim.



Connecting rod Ø 8



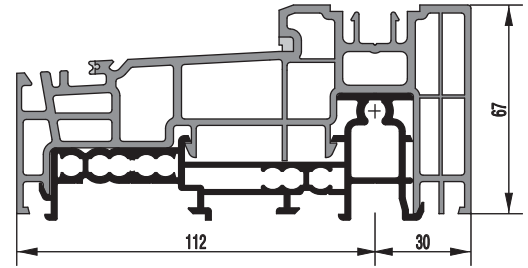
GU-thermostep – Sets

Aluplast Ideal 4000 – patterns A, C, D and F

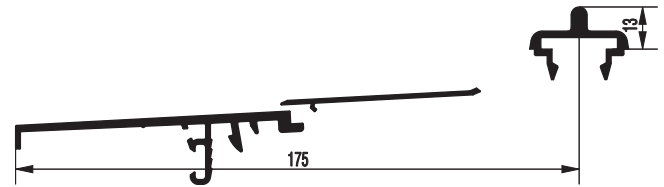


Hardware requirements depending on sash width for patterns A, C, D and F

| Quantity | | Description | PU | Order no. |
|-----------------------------------|---|--|--------------|--------------------|
| A | C | D | F | |
| GU-thermostep base profile | | | | |
| | | SW | Length = TFW | |
| 1 | 1 | -1450 | 3000 | 1 6-29938-30-0-1 |
| | 1 | | 6700 | 1 6-29938-67-0-1/5 |
| 1 | 1 | 1451-1700 | 3500 | 1 6-29938-35-0-1/5 |
| 1 | 1 | 1701-1950 | 4000 | 1 6-29938-40-0-1 |
| 1 | 1 | 1951-2200 | 4500 | 1 6-29938-45-0-1 |
| 1 | 1 | 2201-2450 | 5000 | 1 6-29938-50-0-1/5 |
| Tread threshold 13/175 set | | | | |
| | | SW | Length = TFW | |
| 1 | | -1450 | 3000 | 1 K-15877-30-0-1 |
| | 2 | | 6000 | 1 K-15877-30-0-1 |
| 1 | | 1451-1700 | 3500 | 1 K-15877-35-0-1/5 |
| 1 | | 1701-1950 | 4000 | 1 K-15877-40-0-1 |
| 1 | | 1951-2200 | 4500 | 1 K-15877-45-0-1 |
| 1 | | 2201-2450 | 5000 | 1 K-15877-50-0-1/5 |
| Attachment track A set | | | | |
| | | SW | Length = SW | |
| 1 | 2 | -1450 | 1500 | 1 K-16395-15-0-1 |
| 1 | | 1451-1950 | 2000 | 1 K-16395-20-0-1 |
| 1 | | 1951-2450 | 2500 | 1 K-16395-25-0-1 |
| | | Contained in attachment track A set | | |
| | | Accessories A set | | |
| | | Contents | | |
| | | 1 end cap | | 9-42788-00-L-1 |
| | | 1 end cap | | 9-42788-00-R-1 |
| | | 1 gasket plate | | 9-42998-00-0-6 |
| P 1676 drip rail 175 | | | | |
| | | SW | Length = TFW | |
| 1 | 2 | -1450 | 3000 | 1 9-40381-30-0-1 |
| 1 | 2 | 1451-1700 | 3500 | 1 9-40381-35-0-1 |
| 1 | | 1701-1950 | 4000 | 1 9-40381-40-0-1 |
| 1 | | 1951-2200 | 4500 | 1 9-40381-45-0-1 |
| 1 | | 2201-2450 | 5000 | 1 9-40381-50-0-1 |
| Attachment track D set | | | | |
| | | SW | Length = SW | |
| 1 | 2 | -1450 | 1500 | 1 K-16396-15-0-1 |
| 1 | 2 | 1451-1950 | 2000 | 1 K-16396-20-0-1 |
| 1 | | 1951-2450 | 2500 | 1 K-16396-25-0-1 |
| | | Contained in attachment track D set | | |
| | | Accessories D set | | |
| | | Contents | | |
| | | 1 joining part | | 9-42787-00-0-1 |
| | | 1 gasket plate | | 9-42998-00-0-6 |
| | | 16 gasket sleeves | | 9-39327-00-0-0 |
| | | 23 countersunk screws 4.8x45 | | 9-13089-45-R-1 |
| 2,5 | 5 | Décor foil brown – 10 m (UC 5 only) | | 1 9-40858-00-0-5 |
| P 1690 /13 roller track | | | | |
| | | SW | Length = TFW | |
| 1 | 1 | -2450 | 6700 | 1 9-41254-67-0-1 |



GU-thermostep base profile



P 1676 drip rail 175

P 1642 tread threshold (½ length)

P 1690 /13 roller track



P 1715 attachment track 170



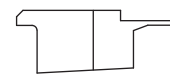
P 1678 /30 intermediate profile



P 1690 /13 roller track



End cap



Gasket plate



P 1676 drip rail 175



P 1715 attachment track 170



P 1678 /30 intermediate profile



P 1690 /13 roller track



P 1715 attachment track 270 with water deflector



Gasket plate



Joining part



P 1645 gasket profile



Gasket sleeves



Countersunk screw 4.8x45



P 1690 /13 roller track

Note:
Maximum frame width 6700 mm – please observe profile manufacturer's instructions.

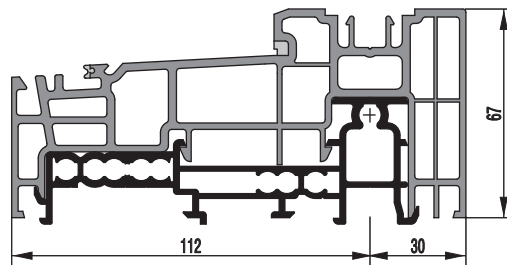
GU-thermostep – Sets

Deceuninck – patterns A, C, D and F



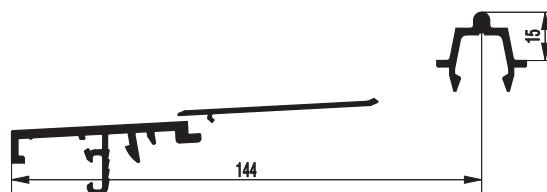
Hardware requirements depending on sash width for patterns A, C, D and F

| Quantity | | Description | PU | Order no. |
|-----------------------------------|---|-------------|--------------|--------------------|
| A | C | D | F | |
| GU-thermostep base profile | | | | |
| | | SW | Length = TFW | |
| 1 | 1 | -1450 | 3000 | 1 6-29938-30-0-1 |
| | 1 | | 6700 | 1 6-29938-67-0-1/5 |
| 1 | 1 | 1451-1700 | 3500 | 1 6-29938-35-0-1/5 |
| 1 | 1 | 1701-1950 | 4000 | 1 6-29938-40-0-1 |
| 1 | 1 | 1951-2200 | 4500 | 1 6-29938-45-0-1 |
| 1 | 1 | 2201-2450 | 5000 | 1 6-29938-50-0-1/5 |



GU-thermostep base profile

| | | | | |
|-----------------------------------|---|-----------|--------------|--------------------|
| Tread threshold 15/144 set | | | | |
| | | SW | Length = TFW | |
| 1 | | -1450 | 3000 | 1 K-15655-30-0-1 |
| | 2 | | 6000 | 1 K-15655-30-0-1 |
| 1 | | 1451-1700 | 3500 | 1 K-15655-35-0-1/5 |
| 1 | | 1701-1950 | 4000 | 1 K-15655-40-0-1 |
| 1 | | 1951-2200 | 4500 | 1 K-15655-45-0-1 |
| 1 | | 2201-2450 | 5000 | 1 K-15655-50-0-1/5 |



P 1639 drip rail 144

P 1642 tread threshold (1/2 length)

P 1635 /15 roller track

| | | | | |
|-------------------------------|---|-----------|-------------|------------------|
| Attachment track A set | | | | |
| | | SW | Length = SW | |
| 1 | 2 | -1450 | 1500 | 1 K-16648-15-0-1 |
| 1 | | 1451-1950 | 2000 | 1 K-16648-20-0-1 |
| 1 | | 1951-2450 | 2500 | 1 K-16648-25-0-1 |

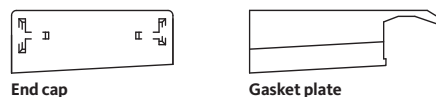


P 1633 attachment track 1

P 1641 /41 intermediate profile

P 1635 /15 roller track

| | | | | |
|--|--|----------------|--|------------------|
| Contained in attachment track A set Accessories A set | | | | |
| | | Contents | | |
| | | 1 end cap | | 9-40295-00-L-1/6 |
| | | 1 end cap | | 9-40295-00-R-1/6 |
| | | 1 gasket plate | | 9-40886-00-0-6 |



End cap

Gasket plate

| | | | | |
|-----------------------------|---|-----------|--------------|--------------------|
| P 1639 drip rail 144 | | | | |
| | | SW | Length = TFW | |
| 1 | 2 | -1450 | 3000 | 1 9-39615-30-0-1 |
| 1 | 2 | 1451-1700 | 3500 | 1 9-39615-35-0-1 |
| 1 | | 1701-1950 | 4000 | 1 9-39615-40-0-1 |
| 1 | | 1951-2200 | 4500 | 1 9-39615-45-0-1 |
| 1 | | 2201-2450 | 5000 | 1 9-39615-50-0-1/5 |



P 1639 drip rail 144

| | | | | |
|-------------------------------|---|-----------|-------------|------------------|
| Attachment track D set | | | | |
| | | SW | Length = SW | |
| 1 | 2 | -1450 | 1500 | 1 K-16649-15-0-1 |
| 1 | 2 | 1451-1950 | 2000 | 1 K-16649-20-0-1 |
| 1 | | 1951-2450 | 2500 | 1 K-16649-25-0-1 |

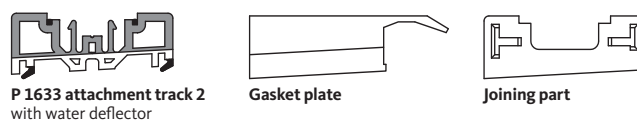


P 1633 attachment track 1

P 1641 /41 intermediate profile

P 1635 /15 roller track

| | | | | |
|--|--|------------------------------|--|------------------|
| Contained in attachment track D set Accessories D set | | | | |
| | | Contents | | |
| | | 1 joining part | | 9-40293-00-0-1/6 |
| | | 1 gasket plate | | 9-40886-00-0-6 |
| | | 16 gasket sleeves | | 9-39327-00-0-0 |
| | | 23 countersunk screws 4.8x45 | | 9-13089-45-R-1 |



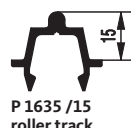
P 1633 attachment track 2 with water deflector

Gasket plate

Joining part

| | | | | |
|-----|---|--|--|------------------|
| 2,5 | 5 | Décor foil brown – 10 m (UC 5 only) | | 1 9-40858-00-0-5 |
|-----|---|--|--|------------------|

| | | | | |
|--------------------------------|---|-----------|--------------|--------------------|
| P 1635 /15 roller track | | | | |
| | | SW | Length = TFW | |
| 1 | | -1450 | 3000 | 1 9-39311-30-0-1 |
| | 1 | | 6700 | 1 9-39311-67-0-1 |
| 1 | | 1451-1700 | 3500 | 1 9-39311-35-0-1 |
| 1 | | 1701-1950 | 4000 | 1 9-39311-40-0-1 |
| 1 | | 1951-2200 | 4500 | 1 9-39311-45-0-1 |
| 1 | | 2201-2450 | 5000 | 1 9-39311-50-0-1/5 |



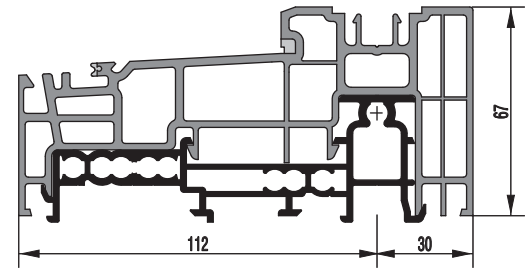
P 1635 /15 roller track

Notes:
Maximum frame width 6700 mm – please observe profile manufacturer's instructions.
Extensions for P 1639 drip rail 144 see page 289.

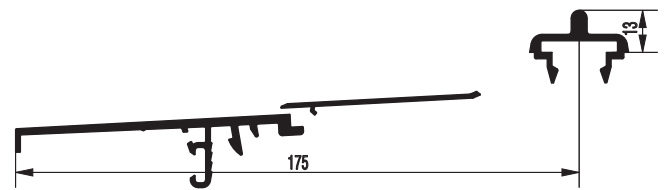


Hardware requirements depending on sash width for patterns A, C, D and F

| Quantity | | Description | PU | Order no. |
|-----------------------------------|---|--|--------------|--------------------|
| A | C | D | F | |
| GU-thermostep base profile | | | | |
| | | SW | Length = TFW | |
| 1 | 1 | -1450 | 3000 | 1 6-29938-30-0-1 |
| | 1 | | 6700 | 1 6-29938-67-0-1/5 |
| 1 | 1 | 1451-1700 | 3500 | 1 6-29938-35-0-1/5 |
| 1 | 1 | 1701-1950 | 4000 | 1 6-29938-40-0-1 |
| 1 | 1 | 1951-2200 | 4500 | 1 6-29938-45-0-1 |
| 1 | 1 | 2201-2450 | 5000 | 1 6-29938-50-0-1/5 |
| Tread threshold 13/175 set | | | | |
| | | SW | Length = TFW | |
| 1 | | -1450 | 3000 | 1 K-15877-30-0-1 |
| | 2 | | 6000 | 1 K-15877-30-0-1 |
| 1 | | 1451-1700 | 3500 | 1 K-15877-35-0-1/5 |
| 1 | | 1701-1950 | 4000 | 1 K-15877-40-0-1 |
| 1 | | 1951-2200 | 4500 | 1 K-15877-45-0-1 |
| 1 | | 2201-2450 | 5000 | 1 K-15877-50-0-1/5 |
| Attachment track A set | | | | |
| | | SW | Length = SW | |
| 1 | 2 | -1450 | 1500 | 1 K-16395-15-0-1 |
| 1 | | 1451-1950 | 2000 | 1 K-16395-20-0-1 |
| 1 | | 1951-2450 | 2500 | 1 K-16395-25-0-1 |
| | | Contained in attachment track A set | | |
| | | Accessories A set | | 1 K-16411-00-0-1 |
| | | Contents | | |
| | | 1 end cap | | 9-42788-00-L-1 |
| | | 1 end cap | | 9-42788-00-R-1 |
| | | 1 gasket plate | | 9-42998-00-0-6 |
| P 1676 drip rail 175 | | | | |
| | | SW | Length = TFW | |
| 1 | 2 | -1450 | 3000 | 1 9-40381-30-0-1 |
| 1 | 2 | 1451-1700 | 3500 | 1 9-40381-35-0-1 |
| 1 | | 1701-1950 | 4000 | 1 9-40381-40-0-1 |
| 1 | | 1951-2200 | 4500 | 1 9-40381-45-0-1 |
| 1 | | 2201-2450 | 5000 | 1 9-40381-50-0-1 |
| Attachment track D set | | | | |
| | | SW | Length = SW | |
| 1 | 2 | -1450 | 1500 | 1 K-16396-15-0-1 |
| 1 | 2 | 1451-1950 | 2000 | 1 K-16396-20-0-1 |
| 1 | | 1951-2450 | 2500 | 1 K-16396-25-0-1 |
| | | Contained in attachment track D set | | |
| | | Accessories D set | | 1 K-16412-00-0-1 |
| | | Contents | | |
| | | 1 joining part | | 9-42787-00-0-1 |
| | | 1 gasket plate | | 9-42998-00-0-6 |
| | | 16 gasket sleeves | | 9-39327-00-0-0 |
| | | 23 countersunk screws 4.8x45 | | 9-13089-45-R-1 |
| 2,5 | 5 | Décor foil brown – 10 m (UC 5 only) | | 1 9-40858-00-0-5 |
| P 1690 /13 roller track | | | | |
| | | SW | Length = TFW | |
| 1 | 1 | -2450 | 6700 | 1 9-41254-67-0-1 |



GU-thermostep base profile



P 1676 drip rail 175

P 1642 tread threshold (1/2 length)

P 1690 /13 roller track



P 1715 attachment track 170



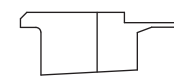
P 1678 /30 intermediate profile



P 1690 /13 roller track



End cap



Gasket plate



P 1676 drip rail 175



P 1715 attachment track 170



P 1678 /30 intermediate profile



P 1690 /13 roller track



P 1715 attachment track 270 with water deflector



Gasket plate



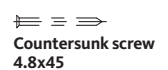
Joining part



P 1645 gasket profile



Gasket sleeves



Countersunk screw 4.8x45



P 1690 /13 roller track

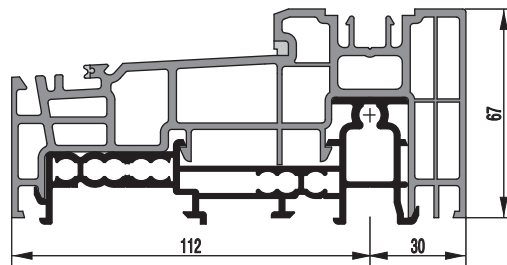
[1] = Hardware requirements for pattern E on request

Note:
Maximum frame width 6700 mm – please observe profile manufacturer's instructions.



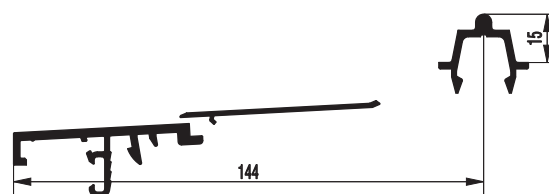
Hardware requirements depending on sash width for patterns A and C

| Quantity | Description | PU | Order no. |
|-----------------------------------|-------------|--------------|--------------------|
| A | | | |
| C | | | |
| GU-thermostep base profile | | | |
| | SW | Length = TFW | |
| 1 | -1450 | 3000 | 1 6-29938-30-0-1 |
| 1 | | 6700 | 1 6-29938-67-0-1/5 |
| 1 | 1451-1700 | 3500 | 1 6-29938-35-0-1/5 |
| 1 | 1701-1950 | 4000 | 1 6-29938-40-0-1 |
| 1 | 1951-2200 | 4500 | 1 6-29938-45-0-1 |
| 1 | 2201-2450 | 5000 | 1 6-29938-50-0-1/5 |



GU-thermostep base profile

| Tread threshold 15/144 set | | | |
|-----------------------------------|-----------|--------------|--------------------|
| | SW | Length = TFW | |
| 1 | -1450 | 3000 | 1 K-15655-30-0-1 |
| 2 | | 6000 | 1 K-15655-30-0-1 |
| 1 | 1451-1700 | 3500 | 1 K-15655-35-0-1/5 |
| 1 | 1701-1950 | 4000 | 1 K-15655-40-0-1 |
| 1 | 1951-2200 | 4500 | 1 K-15655-45-0-1 |
| 1 | 2201-2450 | 5000 | 1 K-15655-50-0-1/5 |

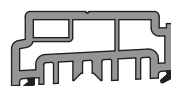


P 1639
drip rail 144

P 1642
tread threshold
(1/2 length)

P 1635 /15
roller track

| Attachment track A set | | | |
|-------------------------------------|-------------------------------------|-------------|--------------------|
| | SW | Length = SW | |
| 1 | -1450 | 1500 | 1 K-16393-15-0-1 |
| 1 | 1451-1950 | 2000 | 1 K-16393-20-0-1 |
| 1 | 1951-2450 | 2500 | 1 K-16393-25-0-1/5 |
| Contained in attachment track A set | | | |
| Accessories A set | | | |
| Contents | | | |
| | 1 gasket plate | | 9-45633-00-0-6 |
| | 1 gasket plate for attachment track | | 9-44559-00-L-6 |
| | 1 gasket plate for attachment track | | 9-44559-00-R-6 |
| | 1 end cap left | | 9-39328-00-L-1/6 |
| | 1 end cap right | | 9-39328-00-R-1/6 |



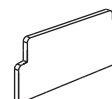
P 1634
attachment track



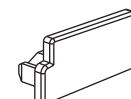
P 1641 /41
intermediate profile



Gasket plate



Gasket plate



End cap

Notes:

Maximum frame width 6700 mm – please observe profile manufacturer's instructions.
Extensions for P 1639 drip rail 144 see page 289.

GU-thermostep – Sets

Rehau Brillant Design S 785 – patterns A and C



Hardware requirements depending on sash width for patterns A and C

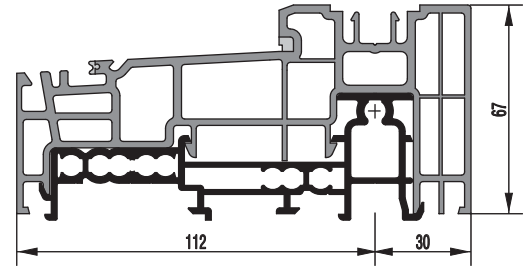
| Quantity A C | Description | PU | Order no. |
|-------------------------------------|--------------------------------------|--------------|--------------------|
| GU-thermostep base profile | | | |
| | SW | Length = TFW | |
| 1 | -1450 | 3000 | 1 6-29938-30-0-1 |
| 1 | | 6700 | 1 6-29938-67-0-1/5 |
| 1 | 1451-1700 | 3500 | 1 6-29938-35-0-1/5 |
| 1 | 1701-1950 | 4000 | 1 6-29938-40-0-1 |
| 1 | 1951-2200 | 4500 | 1 6-29938-45-0-1 |
| 1 | 2201-2450 | 5000 | 1 6-29938-50-0-1/5 |
| Tread threshold 10/144 set | | | |
| | SW | Length = TFW | |
| 1 | -1450 | 3000 | 1 K-16643-30-0-1 |
| 2 | | 6000 | 1 K-16643-30-0-1 |
| 1 | 1451-1700 | 3500 | 1 K-16643-35-0-1/5 |
| 1 | 1701-1950 | 4000 | 1 K-16643-40-0-1 |
| 1 | 1951-2200 | 4500 | 1 K-16643-45-0-1 |
| 1 | 2201-2450 | 5000 | 1 K-16643-50-0-1/5 |
| alternativ: | | | |
| | Tread threshold 5/144 set [1] | | |
| | SW | Length = TFW | |
| 1 | -1450 | 3000 | 1 K-15658-30-0-1 |
| 2 | | 6000 | 1 K-15658-30-0-1 |
| 1 | 1451-1700 | 3500 | 1 K-15658-35-0-1/5 |
| 1 | 1701-1950 | 4000 | 1 K-15658-40-0-1 |
| 1 | 1951-2200 | 4500 | 1 K-15658-45-0-1 |
| 1 | 2201-2450 | 5000 | 1 K-15658-50-0-1/5 |
| Attachment track A set | | | |
| | SW | Length = SW | |
| 1 | -1450 | 1500 | 1 K-16743-15-0-1 |
| 1 | 1451-1950 | 2000 | 1 K-16743-20-0-1 |
| 1 | 1951-2450 | 2500 | 1 K-16743-25-0-1 |
| Contained in attachment track A set | | | |
| Accessories A set | | | |
| | Contents | | |
| | 6 adapter | | 9-40414-00-0-1 |
| | 1 end cap | | 9-40295-00-L-1/6 |
| | 1 end cap | | 9-40295-00-R-1/6 |
| | 1 gasket plate | | 9-39321-00-0-6 |

[1] = When using P 1636 /5 roller track, underlay bogies:

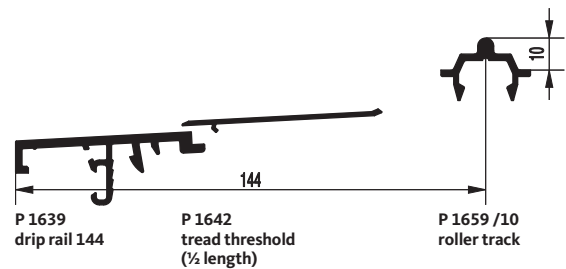
| | |
|--------------------------|----------------|
| 1 Packer for front bogie | 9-41680-05-0-1 |
| 1 Packer for rear bogie | 9-41681-05-0-1 |

Notes:

Maximum frame width 6700 mm – please observe profile manufacturer's instructions.
Extensions for P 1639 drip rail 144 see page 289.



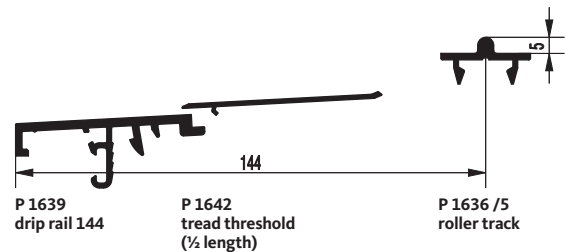
GU-thermostep base profile



P 1639
drip rail 144

P 1642
tread threshold
(1/2 length)

P 1659 /10
roller track



P 1639
drip rail 144

P 1642
tread threshold
(1/2 length)

P 1636 /5
roller track



P 1633
attachment track 1



P 1677 /42
intermediate profile



Adapter



End cap

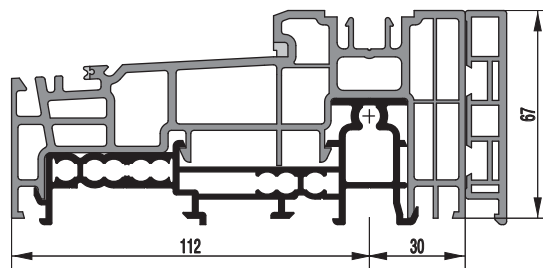


Gasket plate

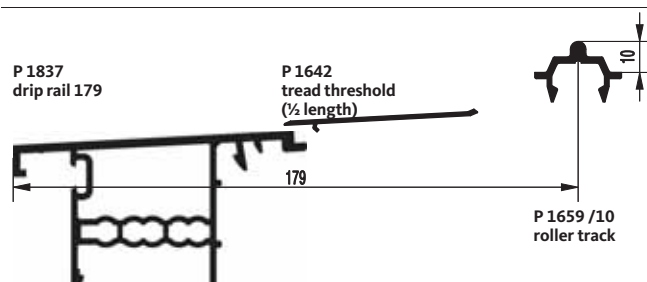


Hardware requirements depending on sash width for patterns A, C, D and F

| Quantity | | Description | PU | Order no. |
|-----------------------------------|---|---|--------------|--------------------|
| A | C | D | F | |
| GU-thermostep base profile | | | | |
| | | SW | Length = TFW | |
| 1 | 1 | -1450 | 3000 | 1 6-29938-30-0-1 |
| | 1 | | 6700 | 1 6-29938-67-0-1/5 |
| 1 | 1 | 1451-1700 | 3500 | 1 6-29938-35-0-1/5 |
| 1 | 1 | 1701-1950 | 4000 | 1 6-29938-40-0-1 |
| 1 | 1 | 1951-2200 | 4500 | 1 6-29938-45-0-1 |
| 1 | 1 | 2201-2450 | 5000 | 1 6-29938-50-0-1/5 |
| P 1839 cover profile | | | | |
| | | SW | Length = TFW | |
| 1 | 1 | -2450 | 5000 | 1 P-01839-50-0-1 |
| Tread threshold 10/179 set | | | | |
| | | SW | Length = TFW | |
| 1 | | -1450 | 3000 | 1 K-18015-30-0-1/5 |
| | 2 | | 6000 | 1 K-18015-30-0-1/5 |
| 1 | | 1451-1700 | 3500 | 1 K-18015-35-0-1/5 |
| 1 | | 1701-1950 | 4000 | 1 K-18015-40-0-1/5 |
| 1 | | 1951-2200 | 4500 | 1 K-18015-45-0-1/5 |
| 1 | | 2201-2450 | 5000 | 1 K-18015-50-0-1/5 |
| Attachment track A set | | | | |
| | | SW | Length = SW | |
| 1 | 2 | -1450 | 1500 | 1 K-18016-15-0-1/6 |
| 1 | | 1451-1950 | 2000 | 1 K-18016-20-0-1/6 |
| 1 | | 1951-2450 | 2500 | 1 K-18016-25-0-1/6 |
| | | Accessories A set | | 1 K-18017-00-0-1/6 |
| | | Contents | | |
| | | 1 P 1843 distance profile | | P-01843-01-0-1 |
| | | 1 gasket plate for cover profile Geneo | | 9-47243-01-0-7 |
| | | 1 gasket plate | | 9-45684-00-0-6 |
| | | 1 sealing bridge | | 6-22154-06-0-0 |
| | | 2 gasket plate for attachment track le/ri | | 9-46063-00-L/R-7 |
| | | 2 end cap 70 left / right | | 9-42788-00-L/R-1 |
| P 1837 drip rail 179 | | | | |
| | | SW | Length = TFW | |
| 1 | 2 | -1450 | 3000 | 1 9-45646-30-0-1/5 |
| 1 | 2 | 1451-1700 | 3500 | 1 9-45646-35-0-1/5 |
| 1 | | 1701-1950 | 4000 | 1 9-45646-40-0-1/5 |
| 1 | | 1951-2200 | 4500 | 1 9-45646-45-0-1/5 |
| 1 | | 2201-2450 | 5000 | 1 9-45646-50-0-1/5 |
| Attachment track D set | | | | |
| | | SW | Length = SW | |
| 1 | 2 | -1450 | 1500 | 1 K-18020-15-0-1/6 |
| 1 | 2 | 1451-1950 | 2000 | 1 K-18020-20-0-1/6 |
| 1 | | 1951-2450 | 2500 | 1 K-18020-25-0-1/6 |
| | | Contained in attachment track D set | | |
| | | Accessories D set | | 1 K-18021-00-0-1/6 |
| | | Contents | | |
| | | 1 joining part 70 | | 9-42787-00-0-1 |
| | | 1 gasket plate for cover profile Geneo | | 9-47243-01-0-7 |
| | | 1 gasket plate for roller track | | 9-44739-10-0-6 |
| | | 1 gasket plate for bogie Geneo | | 9-47245-00-0-6 |
| | | 1 sealing bridge | | 6-22154-01-0-0 |
| | | 2 sealing bridge | | 6-22154-08-0-0 |
| | | 2 gasket plate for attachment track le/ri | | 9-46063-00-L/R-7 |
| | | 2 end cap 70 left / right | | 9-42788-00-L/R-1 |
| | | 16 gasket sleeves | | 9-39327-00-0-0 |
| | | 23 countersunk screws 4.8x45 | | 9-13089-45-R-1 |
| P 1659 /10 roller track | | | | |
| | | SW | Length = TFW | |
| 1 | | -1450 | 3000 | 1 9-39330-30-0-1 |
| | 1 | | 6700 | 1 9-39330-67-0-1 |
| 1 | | 1451-1700 | 3500 | 1 9-39330-35-0-1 |
| 1 | | 1701-1950 | 4000 | 1 9-39330-40-0-1 |
| 1 | | 1951-2200 | 4500 | 1 9-39330-45-0-1 |
| 1 | | 2201-2450 | 5000 | 1 9-39330-50-0-1/5 |



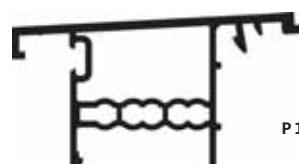
GU-thermostep base profile with P 1839 cover profile



P 1715 attachment track 1 70



P 1846 /61 intermediate profile



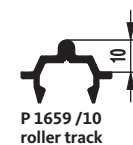
P 1837 drip rail 179



P 1715 attachment track 1 70



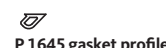
P 1846 /61 intermediate profile



P 1659 /10 roller track



P 1715 attachment track 2 70 with water deflector



P 1645 gasket profile



P 1659 /10 roller track

Notes:
Maximum frame width 6700 mm – please observe profile manufacturer's instructions.

Extensions for P 1837 drip rail 179 see page 289.

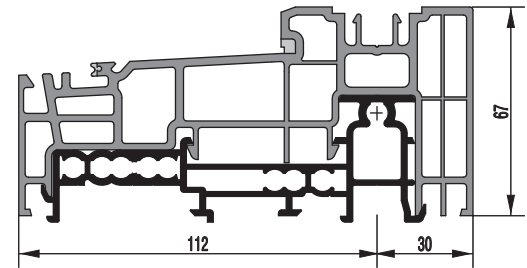
GU-thermostep – Sets

Roplasto 4001 – patterns A, C, D and F

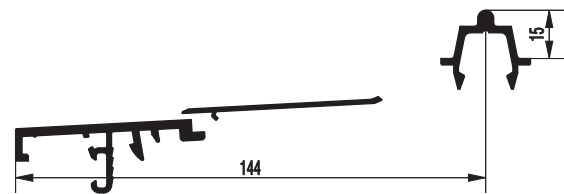


Hardware requirements depending on sash width for patterns A, C, D and F

| Quantity | | Description | PU | Order no. |
|-----------------------------------|---|--|--------------|--------------------|
| A | C | D | F | |
| GU-thermostep base profile | | | | |
| | | SW | Length = TFW | |
| 1 | 1 | -1450 | 3000 | 1 6-29938-30-0-1 |
| | 1 | | 6700 | 1 6-29938-67-0-1/5 |
| 1 | 1 | 1451-1700 | 3500 | 1 6-29938-35-0-1/5 |
| 1 | 1 | 1701-1950 | 4000 | 1 6-29938-40-0-1 |
| 1 | 1 | 1951-2200 | 4500 | 1 6-29938-45-0-1 |
| 1 | 1 | 2201-2450 | 5000 | 1 6-29938-50-0-1/5 |
| Tread threshold 15/144 set | | | | |
| | | SW | Length = TFW | |
| 1 | | -1450 | 3000 | 1 K-15655-30-0-1 |
| | 2 | | 6000 | 1 K-15655-30-0-1 |
| 1 | | 1451-1700 | 3500 | 1 K-15655-35-0-1/5 |
| 1 | | 1701-1950 | 4000 | 1 K-15655-40-0-1 |
| 1 | | 1951-2200 | 4500 | 1 K-15655-45-0-1 |
| 1 | | 2201-2450 | 5000 | 1 K-15655-50-0-1/5 |
| Attachment track A set | | | | |
| | | SW | Length = SW | |
| 1 | 2 | -1450 | 1500 | 1 K-16393-15-0-1 |
| 1 | | 1451-1950 | 2000 | 1 K-16393-20-0-1 |
| 1 | | 1951-2450 | 2500 | 1 K-16393-25-0-1/5 |
| | | Contained in attachment track A set | | |
| | | Accessories A set | | |
| | | Contents | | |
| | | 1 gasket plate | | 9-40886-00-0-6 |
| | | 1 gasket plate for attachment track | | 9-44559-00-L-6 |
| | | 1 gasket plate for attachment track | | 9-44559-00-R-6 |
| | | 1 end cap left | | 9-39328-00-L-1/6 |
| | | 1 end cap right | | 9-39328-00-R-1/6 |
| P 1639 drip rail 144 | | | | |
| | | SW | Length = TFW | |
| 1 | 2 | -1450 | 3000 | 1 9-39615-30-0-1 |
| 1 | 2 | 1451-1700 | 3500 | 1 9-39615-35-0-1 |
| 1 | | 1701-1950 | 4000 | 1 9-39615-40-0-1 |
| 1 | | 1951-2200 | 4500 | 1 9-39615-45-0-1 |
| 1 | | 2201-2450 | 5000 | 1 9-39615-50-0-1/5 |
| Attachment track D set | | | | |
| | | SW | Length = SW | |
| 1 | 2 | -1450 | 1500 | 1 K-16394-15-0-1 |
| 1 | 2 | 1451-1950 | 2000 | 1 K-16394-20-0-1 |
| 1 | | 1951-2450 | 2500 | 1 K-16394-25-0-1 |
| | | Contained in attachment track D set | | |
| | | Accessories D set | | |
| | | Contents | | |
| | | 1 joining part | | 9-40293-00-0-1/6 |
| | | 1 gasket plate | | 9-40886-00-0-6 |
| | | 16 gasket sleeves | | 9-39327-00-0-0 |
| | | 23 countersunk screws 4.8x45 | | 9-13089-45-R-1 |
| 2,5 | 5 | Décor foil brown – 10 m (UC 5 only) | | 1 9-40858-00-0-5 |
| P 1635 /15 roller track | | | | |
| | | SW | Length = TFW | |
| 1 | | -1450 | 3000 | 1 9-39311-30-0-1 |
| | 1 | | 6700 | 1 9-39311-67-0-1 |
| 1 | | 1451-1700 | 3500 | 1 9-39311-35-0-1 |
| 1 | | 1701-1950 | 4000 | 1 9-39311-40-0-1 |
| 1 | | 1951-2200 | 4500 | 1 9-39311-45-0-1 |
| 1 | | 2201-2450 | 5000 | 1 9-39311-50-0-1/5 |



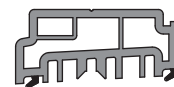
GU-thermostep base profile



P 1639 drip rail 144

P 1642 tread threshold (1/2 length)

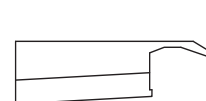
P 1635 /15 roller track



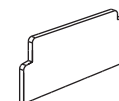
P 1634 attachment track



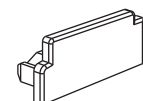
P 1641 /41 intermediate profile



Gasket plate



Gasket plate



End cap



P 1639 drip rail 144



P 1633 attachment track 1



P 1641 /41 intermediate profile



P 1635 /15 roller track



P 1633 attachment track 2 with water deflector



Gasket plate



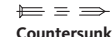
Joining part



P 1645 gasket profile



Gasket sleeves



Countersunk screw 4.8x45



P 1635 /15 roller track

Notes:
Maximum frame width 6700 mm – please observe profile manufacturer's instructions.

Extensions for P 1639 drip rail 144 see page 289.

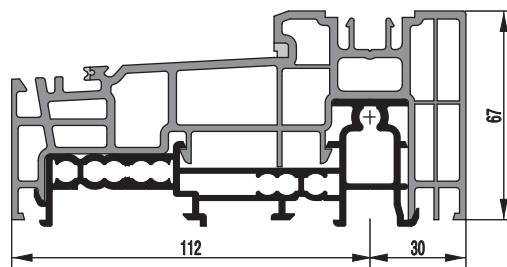
GU-thermostep – Sets

Salamander iD – patterns A, C, D and F

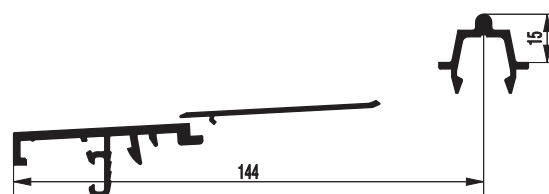


Hardware requirements depending on sash width for patterns A, C, D and F

| Quantity | | Description | PU | Order no. |
|-----------------------------------|---|--|--------------|--------------------|
| A | C | D | F | |
| GU-thermostep base profile | | | | |
| | | SW | Length = TFW | |
| 1 | 1 | -1450 | 3000 | 1 6-29938-30-0-1 |
| | 1 | | 6700 | 1 6-29938-67-0-1/5 |
| 1 | 1 | 1451-1700 | 3500 | 1 6-29938-35-0-1/5 |
| 1 | 1 | 1701-1950 | 4000 | 1 6-29938-40-0-1 |
| 1 | 1 | 1951-2200 | 4500 | 1 6-29938-45-0-1 |
| 1 | 1 | 2201-2450 | 5000 | 1 6-29938-50-0-1/5 |
| Tread threshold 15/144 set | | | | |
| | | SW | Length = TFW | |
| 1 | | -1450 | 3000 | 1 K-15655-30-0-1 |
| | 2 | | 6000 | 1 K-15655-30-0-1 |
| 1 | | 1451-1700 | 3500 | 1 K-15655-35-0-1/5 |
| 1 | | 1701-1950 | 4000 | 1 K-15655-40-0-1 |
| 1 | | 1951-2200 | 4500 | 1 K-15655-45-0-1 |
| 1 | | 2201-2450 | 5000 | 1 K-15655-50-0-1/5 |
| Attachment track A set | | | | |
| | | SW | Length = SW | |
| 1 | 2 | -1450 | 1500 | 1 K-16393-15-0-1 |
| 1 | | 1451-1950 | 2000 | 1 K-16393-20-0-1 |
| 1 | | 1951-2450 | 2500 | 1 K-16393-25-0-1/5 |
| | | Contained in attachment track A set | | |
| | | Accessories A set | | 1 K-16409-00-0-1/6 |
| | | Contents | | |
| | | 1 gasket plate | | 9-40886-00-0-6 |
| | | 1 gasket plate for attachment track | | 9-44559-00-L-6 |
| | | 1 gasket plate for attachment track | | 9-44559-00-R-6 |
| | | 1 end cap left | | 9-39328-00-L-1/6 |
| | | 1 end cap right | | 9-39328-00-R-1/6 |
| P 1639 drip rail 144 | | | | |
| | | SW | Length = TFW | |
| 1 | 2 | -1450 | 3000 | 1 9-39615-30-0-1 |
| 1 | 2 | 1451-1700 | 3500 | 1 9-39615-35-0-1 |
| 1 | | 1701-1950 | 4000 | 1 9-39615-40-0-1 |
| 1 | | 1951-2200 | 4500 | 1 9-39615-45-0-1 |
| 1 | | 2201-2450 | 5000 | 1 9-39615-50-0-1/5 |
| Attachment track D set | | | | |
| | | SW | Length = SW | |
| 1 | 2 | -1450 | 1500 | 1 K-16394-15-0-1 |
| 1 | 2 | 1451-1950 | 2000 | 1 K-16394-20-0-1 |
| 1 | | 1951-2450 | 2500 | 1 K-16394-25-0-1 |
| | | Contained in attachment track D set | | |
| | | Accessories D set | | 1 K-16410-00-0-1/6 |
| | | Contents | | |
| | | 1 joining part | | 9-40293-00-0-1/6 |
| | | 1 gasket plate | | 9-40886-00-0-6 |
| | | 16 gasket sleeves | | 9-39327-00-0-0 |
| | | 23 countersunk screws 4.8x45 | | 9-13089-45-R-1 |
| 2,5 | 5 | Décor foil brown – 10 m (UC 5 only) | | 1 9-40858-00-0-5 |
| P 1635 /15 roller track | | | | |
| | | SW | Length = TFW | |
| 1 | | -1450 | 3000 | 1 9-39311-30-0-1 |
| | 1 | | 6700 | 1 9-39311-67-0-1 |
| 1 | | 1451-1700 | 3500 | 1 9-39311-35-0-1 |
| 1 | | 1701-1950 | 4000 | 1 9-39311-40-0-1 |
| 1 | | 1951-2200 | 4500 | 1 9-39311-45-0-1 |
| 1 | | 2201-2450 | 5000 | 1 9-39311-50-0-1/5 |



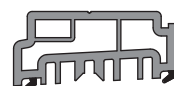
GU-thermostep base profile



P 1639 drip rail 144

P 1642 tread threshold (1/2 length)

P 1635 /15 roller track



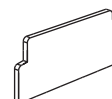
P 1634 attachment track



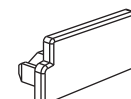
P 1641 /41 intermediate profile



Gasket plate



Gasket plate



End cap



P 1639 drip rail 144



P 1633 attachment track 1



P 1641 /41 intermediate profile



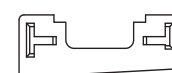
P 1635 /15 roller track



P 1633 attachment track 2 with water deflector



Gasket plate



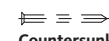
Joining part



P 1645 gasket profile



Gasket sleeves



Countersunk screw 4.8x45



P 1635 /15 roller track

Notes:
Maximum frame width 6700 mm – please observe profile manufacturer's instructions.

Extensions for P 1639 drip rail 144 see page 289.

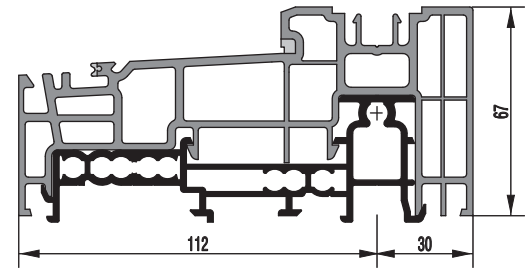
GU-thermostep – Sets

Schüco Corona CT 70 – patterns A, C, D and F

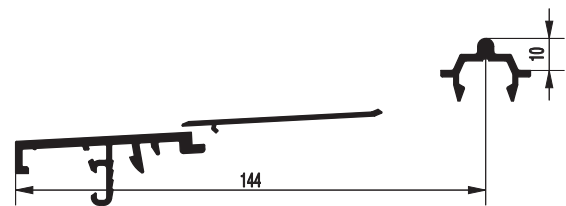


Hardware requirements depending on sash width for patterns A, C, D and F

| Quantity | | Description | PU | Order no. |
|-----------------------------------|-------|--|--------------|--------------------|
| A | C D F | | | |
| GU-thermostep base profile | | | | |
| | | SW | Length = TFW | |
| 1 | 1 | -1450 | 3000 | 1 6-29938-30-0-1 |
| | 1 | | 6700 | 1 6-29938-67-0-1/5 |
| 1 | 1 | 1451-1700 | 3500 | 1 6-29938-35-0-1/5 |
| 1 | 1 | 1701-1950 | 4000 | 1 6-29938-40-0-1 |
| 1 | 1 | 1951-2200 | 4500 | 1 6-29938-45-0-1 |
| 1 | 1 | 2201-2450 | 5000 | 1 6-29938-50-0-1/5 |
| Tread threshold 10/144 set | | | | |
| | | SW | Length = TFW | |
| 1 | 2 | -1450 | 3000 | 1 K-16643-30-0-1 |
| | | | 6000 | 1 K-16643-30-0-1 |
| 1 | 1 | 1451-1700 | 3500 | 1 K-16643-35-0-1/5 |
| 1 | 1 | 1701-1950 | 4000 | 1 K-16643-40-0-1 |
| 1 | 1 | 1951-2200 | 4500 | 1 K-16643-45-0-1 |
| 1 | 1 | 2201-2450 | 5000 | 1 K-16643-50-0-1/5 |
| Attachment track A set | | | | |
| | | SW | Length = SW | |
| 1 | 2 | -1450 | 1500 | 1 K-16644-15-0-1 |
| 1 | 1 | 1451-1950 | 2000 | 1 K-16644-20-0-1 |
| 1 | 1 | 1951-2450 | 2500 | 1 K-16644-25-0-1 |
| | | Contained in attachment track A set | | |
| | | Accessories A set | | |
| | | Contents | | |
| | | 6 adapter | | 9-41783-00-0-1 |
| | | 1 end cap | | 9-40295-00-L-1 |
| | | 1 end cap | | 9-40295-00-R-1 |
| | | 1 gasket plate | | 9-41782-00-0-6 |
| P 1639 drip rail 144 | | | | |
| | | SW | Length = TFW | |
| 1 | 2 | -1450 | 3000 | 1 9-39615-30-0-1 |
| 1 | 2 | 1451-1700 | 3500 | 1 9-39615-35-0-1 |
| 1 | 1 | 1701-1950 | 4000 | 1 9-39615-40-0-1 |
| 1 | 1 | 1951-2200 | 4500 | 1 9-39615-45-0-1 |
| 1 | 1 | 2201-2450 | 5000 | 1 9-39615-50-0-1/5 |
| Attachment track D set | | | | |
| | | SW | Length = SW | |
| 1 | 2 | -1450 | 1500 | 1 K-16645-15-0-1 |
| 1 | 2 | 1451-1950 | 2000 | 1 K-16645-20-0-1 |
| 1 | 1 | 1951-2450 | 2500 | 1 K-16645-25-0-1 |
| | | Contained in attachment track D set | | |
| | | Accessories D set | | |
| | | Contents | | |
| | | 1 joining part | | 9-40293-00-0-1/6 |
| | | 1 gasket plate | | 9-41782-00-0-6 |
| | | 16 gasket sleeves | | 9-39327-00-0-0 |
| | | 23 countersunk screws 4.8x45 | | 9-13089-45-R-1 |
| 2,5 | 5 | Décor foil brown – 10 m (UC 5 only) | | 1 9-40858-00-0-5 |
| P 1659 /10 roller track | | | | |
| | | SW | Length = TFW | |
| 1 | 2 | -2200 | 4500 | 1 9-39330-45-0-1 |
| 1 | 2 | 2201-2450 | 6700 | 1 9-39330-67-0-1/5 |
| | 1 | -1450 | 6700 | 1 9-39330-67-0-1/5 |
| | 1 | 1451- | 6700 | 1 9-39330-67-0-1/5 |



GU-thermostep base profile



P 1639 drip rail 144

P 1642 tread threshold (1/2 length)

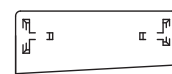
P 1659 /10 roller track



P 1633 attachment track 1



P 1682 /45 intermediate profile



End cap



Gasket plate



Adapter



P 1639 drip rail 144



P 1633 attachment track 1



P 1682 /45 intermediate profile



P 1633 attachment track 2 with water deflector



Gasket plate



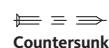
Joining part



P 1645 gasket profile



Gasket sleeves



Countersunk screw 4.8x45



P 1659 /10 roller track

Notes:

Maximum frame width 6700 mm – please observe profile manufacturer's instructions. Extensions for P 1639 drip rail 144 see page 289.

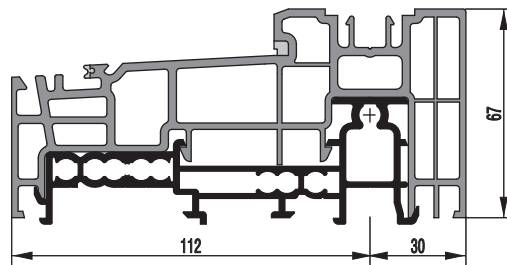
GU-thermostep – Sets

Inoutic AD – patterns A, C, D and F

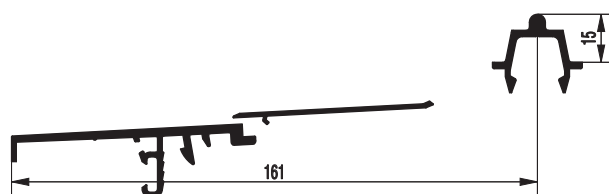


Hardware requirements depending on sash width for patterns A, C, D and F

| Quantity | | Description | PU | Order no. |
|-----------------------------------|---|--|--------------|--------------------|
| A | C | D | F | |
| GU-thermostep base profile | | | | |
| | | SW | Length = TFW | |
| 1 | 1 | -1450 | 3000 | 1 6-29938-30-0-1 |
| | 1 | | 6700 | 1 6-29938-67-0-1/5 |
| 1 | 1 | 1451-1700 | 3500 | 1 6-29938-35-0-1/5 |
| 1 | 1 | 1701-1950 | 4000 | 1 6-29938-40-0-1 |
| 1 | 1 | 1951-2200 | 4500 | 1 6-29938-45-0-1 |
| 1 | 1 | 2201-2450 | 5000 | 1 6-29938-50-0-1/5 |
| Tread threshold 15/161 set | | | | |
| | | SW | Length = TFW | |
| 1 | | -1450 | 3000 | 1 K-15875-30-0-1 |
| | 2 | | 6000 | 1 K-15875-30-0-1 |
| 1 | | 1451-1700 | 3500 | 1 K-15875-35-0-1/5 |
| 1 | | 1701-1950 | 4000 | 1 K-15875-40-0-1 |
| 1 | | 1951-2200 | 4500 | 1 K-15875-45-0-1 |
| 1 | | 2201-2450 | 5000 | 1 K-15875-50-0-1/5 |
| Attachment track A set | | | | |
| | | SW | Length = SW | |
| 1 | 2 | -1450 | 1500 | 1 K-16389-15-0-1 |
| 1 | | 1451-1950 | 2000 | 1 K-16389-20-0-1 |
| 1 | | 1951-2450 | 2500 | 1 K-16389-25-0-1 |
| | | Contained in attachment track A set | | |
| | | Accessories A set | | 1 K-16405-00-0-1/6 |
| | | Contents | | |
| | | 6 adapter | | 9-40867-00-0-1 |
| | | 1 end cap | | 9-40295-00-L-1/6 |
| | | 1 end cap | | 9-40295-00-R-1/6 |
| | | 1 gasket plate | | 9-41247-00-0-6 |
| P 1667 drip rail 161 | | | | |
| | | SW | Length = TFW | |
| 1 | 2 | -1450 | 3000 | 1 9-40182-30-0-1 |
| 1 | 2 | 1451-1700 | 3500 | 1 9-40182-35-0-1 |
| 1 | | 1701-1950 | 4000 | 1 9-40182-40-0-1 |
| 1 | | 1951-2200 | 4500 | 1 9-40182-45-0-1 |
| 1 | | 2201-2450 | 5000 | 1 9-40182-50-0-1/5 |
| Attachment track D set | | | | |
| | | SW | Length = SW | |
| 1 | 2 | -1450 | 1500 | 1 K-16390-15-0-1 |
| 1 | 2 | 1451-1950 | 2000 | 1 K-16390-20-0-1 |
| 1 | | 1951-2450 | 2500 | 1 K-16390-25-0-1 |
| | | Contained in attachment track D set | | |
| | | Accessories D set | | 1 K-16406-00-0-1/6 |
| | | Contents | | |
| | | 1 joining part | | 9-40293-00-0-1/6 |
| | | 1 gasket plate | | 9-41247-00-0-6 |
| | | 16 gasket sleeves | | 9-39327-00-0-0 |
| | | 23 countersunk screws 4.8x45 | | 9-13089-45-R-1 |
| 2,5 | 5 | Décor foil brown – 10 m (UC 5 only) | | 1 9-40858-00-0-5 |
| P 1635 /15 roller track | | | | |
| | | SW | Length = TFW | |
| 1 | | -1450 | 3000 | 1 9-39311-30-0-1 |
| | 1 | | 6700 | 1 9-39311-67-0-1 |
| 1 | | 1451-1700 | 3500 | 1 9-39311-35-0-1 |
| 1 | | 1701-1950 | 4000 | 1 9-39311-40-0-1 |
| 1 | | 1951-2200 | 4500 | 1 9-39311-45-0-1 |
| 1 | | 2201-2450 | 5000 | 1 9-39311-50-0-1/5 |



GU-thermostep base profile



P 1667 drip rail 161

P 1642 tread threshold (1/2 length)

P 1635 /15 roller track



P 1633 attachment track 1



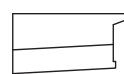
P 1678 /30 intermediate profile



Adapter



End cap



Gasket plate



P 1667 drip rail 161



P 1633 attachment track 1



P 1678 /30 intermediate profile



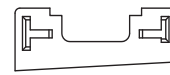
P 1635 /15 roller track



P 1633 attachment track 2 with water deflector



Gasket plate



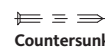
Joining part



P 1645 gasket profile



Gasket sleeves



Countersunk screw 4.8x45



P 1635 /15 roller track

Note: Maximum frame width 6700 mm – please observe profile manufacturer's instructions.

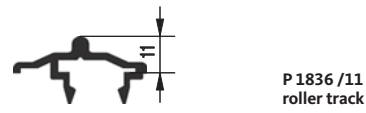
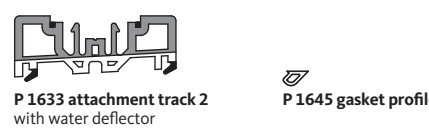
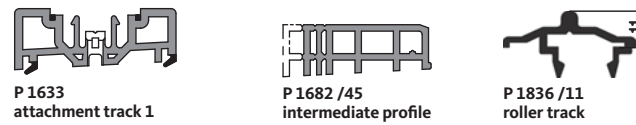
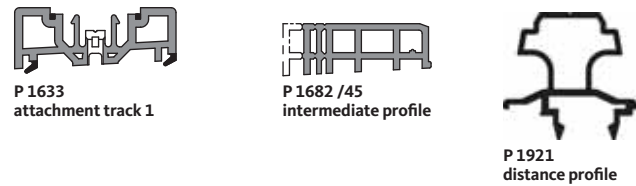
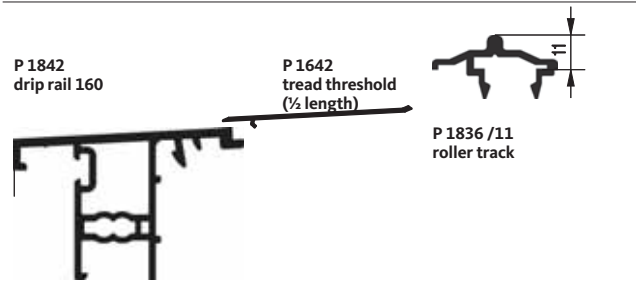
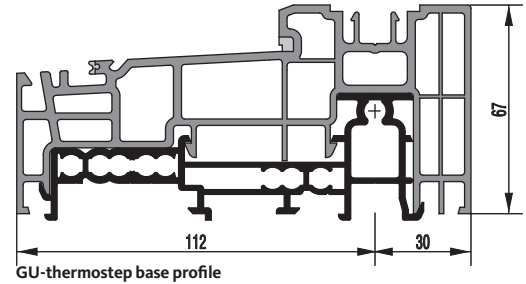
GU-thermostep – Sets

Veka Slide – patterns A, C, D and F



Hardware requirements depending on sash width for patterns A, C, D and F

| Quantity | | Description | PU | Order no. |
|-----------------------------------|---|--|--------------|---|
| A | C | D | F | |
| GU-thermostep base profile | | | | |
| | | SW | Length = TFW | |
| 1 | 1 | -1450 | 3000 | 1 6-29938-30-0-1 |
| | 1 | | 6700 | 1 6-29938-67-0-1/5 |
| 1 | 1 | 1451-1700 | 3500 | 1 6-29938-35-0-1/5 |
| 1 | 1 | 1701-1950 | 4000 | 1 6-29938-40-0-1 |
| 1 | 1 | 1951-2200 | 4500 | 1 6-29938-45-0-1 |
| 1 | 1 | 2201-2450 | 5000 | 1 6-29938-50-0-1/5 |
| Tread threshold 11/160 set | | | | |
| | | SW | Length = TFW | |
| 1 | 2 | -1450 | 3000 | 1 K-18004-30-0-1 |
| | | | 6000 | 1 K-18004-30-0-1 |
| 1 | | 1451-1700 | 3500 | 1 K-18004-35-0-1 |
| 1 | | 1701-1950 | 4000 | 1 K-18004-40-0-1 |
| 1 | | 1951-2200 | 4500 | 1 K-18004-45-0-1 |
| 1 | | 2201-2450 | 5000 | 1 K-18004-50-0-1 |
| Attachment track A set | | | | |
| | | SW | Length = SW | |
| 1 | 2 | -1450 | 1500 | 1 K-18005-15-0-1 |
| 1 | | 1451-1950 | 2000 | 1 K-18005-20-0-1 |
| 1 | | 1951-2450 | 2500 | 1 K-18005-25-0-1 |
| 1 | 2 | Accessories A set | | 1 K-18006-00-0-1 |
| Contents | | | | |
| | | 1 gasket plate | | 9-45698-00-0-6 |
| | | 1 gasket plate | | 9-45702-00-0-6 |
| | | 1 gasket plate Veka | | 9-46233-00-0-1 |
| | | 2 gasket plate for roller track | | 9-46064-00-0-7 |
| | | 2 gasket plate for inlet profile | | 9-46065-00-0-7 |
| | | 1 gasket plate for attachment track | | 9-47120-00-0-6 |
| | | 2 gasket plate for attachment track le/r | | 9-46956-00-L/R-1 |
| | | 2 end cap left / right | | 9-40295-00-L/R-1 |
| P 1842 drip rail 160 | | | | |
| | | SW | Length = TFW | |
| 1 | 2 | -1450 | 3000 | 1 9-45720-30-0-1/5 |
| 1 | 2 | 1451-1700 | 3500 | 1 9-45720-35-0-1/5 |
| 1 | | 1701-1950 | 4000 | 1 9-45720-40-0-1/5 |
| 1 | | 1951-2200 | 4500 | 1 9-45720-45-0-1/5 |
| 1 | | 2201-2450 | 5000 | 1 9-45720-50-0-1/5 |
| Attachment track D set | | | | |
| | | SW | Length = SW | |
| 1 | 2 | -1450 | 1500 | 1 K-18012-15-0-1 |
| 1 | 2 | 1451-1950 | 2000 | 1 K-18012-20-0-1 |
| 1 | | 1951-2450 | 2500 | 1 K-18012-25-0-1 |
| 1 | 2 | Accessories D set | | 1 K-18013-00-0-1 |
| Contents | | | | |
| | | 1 joining part | | 9-40293-00-0-1 |
| | | 2 gasket plate Veka | | 9-46233-00-0-1 |
| | | 2 gasket plate for roller track | | 9-46064-00-0-7 |
| | | 2 gasket plate for inlet profile | | 9-46065-00-0-7 |
| | | 1 sealing pad for bogie | | 9-46256-00-0-6 |
| | | 1 gasket plate for meeting stile | | 9-47117-00-0-6 |
| | | 2 gasket plate for attachment track le/r | | 9-46956-00-L/R-1 |
| | | 2 end cap left / right | | 9-40295-00-L/R-1 |
| | | 16 gasket sleeves | | 9-39327-00-0-0 |
| | | 23 countersunk screws 4.8x45 | | 9-13089-45-R-1 |
| P 1836 /11 roller track | | | | |
| | | SW | Length = TFW | |
| 1 | | -1450 | 3000 | 1 P-01836-30-0-1 |
| | 1 | | 6700 | 1 P-01836-67-0-1 |
| 1 | | 1451-1700 | 3500 | 1 P-01836-35-0-1 |
| 1 | | 1701-1950 | 4000 | 1 P-01836-40-0-1 |
| 1 | | 1951-2200 | 4500 | 1 P-01836-45-0-1 |
| 1 | | 2201-2450 | 5000 | 1 P-01836-50-0-1/5 |
| 1 | 1 | 1 | 1 | Sealing tape Length = TFW 1 9-47108-00-0-6 |



Notes:
Maximum frame width 6700 mm – please observe profile manufacturer's instructions.
Extensions for P 1842 drip rail 160 see page 289.

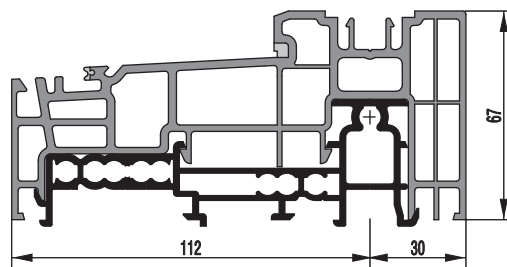
GU-thermostep – Sets

VEKA Softline 58 – patterns A, C, D and F



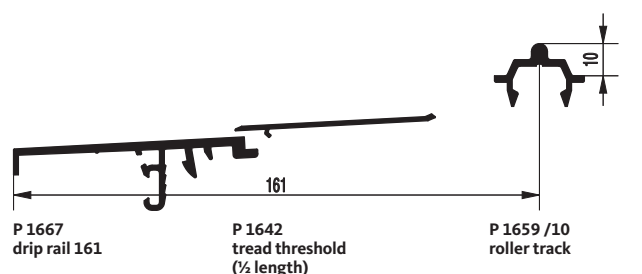
Hardware requirements depending on sash width for patterns A, C, D and F

| Quantity | | Description | PU | Order no. |
|-----------------------------------|---|-------------|--------------|--------------------|
| A | C | D | F | |
| GU-thermostep base profile | | | | |
| | | SW | Length = TFW | |
| 1 | 1 | -1450 | 3000 | 1 6-29938-30-0-1 |
| | 1 | | 6700 | 1 6-29938-67-0-1/5 |
| 1 | 1 | 1451-1700 | 3500 | 1 6-29938-35-0-1/5 |
| 1 | 1 | 1701-1950 | 4000 | 1 6-29938-40-0-1 |
| 1 | 1 | 1951-2200 | 4500 | 1 6-29938-45-0-1 |
| 1 | 1 | 2201-2450 | 5000 | 1 6-29938-50-0-1/5 |



GU-thermostep base profile

| | | | | |
|-----------------------------------|---|-----------|--------------|--------------------|
| Tread threshold 10/161 set | | | | |
| | | SW | Length = TFW | |
| 1 | | -1450 | 3000 | 1 K-15657-30-0-1 |
| | 2 | | 6000 | 1 K-15657-30-0-1 |
| 1 | | 1451-1700 | 3500 | 1 K-15657-35-0-1/5 |
| 1 | | 1701-1950 | 4000 | 1 K-15657-40-0-1 |
| 1 | | 1951-2200 | 4500 | 1 K-15657-45-0-1 |
| 1 | | 2201-2450 | 5000 | 1 K-15657-50-0-1/5 |

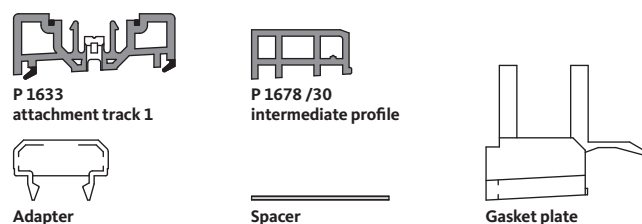


P 1667 drip rail 161

P 1642 tread threshold (1/2 length)

P 1659 /10 roller track

| | | | | |
|-------------------------------|---|-------------------------------------|-------------|--------------------|
| Attachment track A set | | | | |
| | | SW | Length = SW | |
| 1 | 2 | -1450 | 1500 | 1 K-15662-15-0-1 |
| 1 | | 1451-1950 | 2000 | 1 K-15662-20-0-1 |
| 1 | | 1951-2450 | 2500 | 1 K-15662-25-0-1/5 |
| | | Contained in attachment track A set | | |
| | | Accessories A set | | 1 K-15702-00-0-1 |
| | | Contents | | |
| | | 6 adapter | | 9-40294-00-0-1 |
| | | 2 spacer | | 9-41436-00-0-6 |
| | | 1 gasket plate | | 9-40385-00-0-6 |



P 1633 attachment track 1

P 1678 /30 intermediate profile

Adapter

Spacer

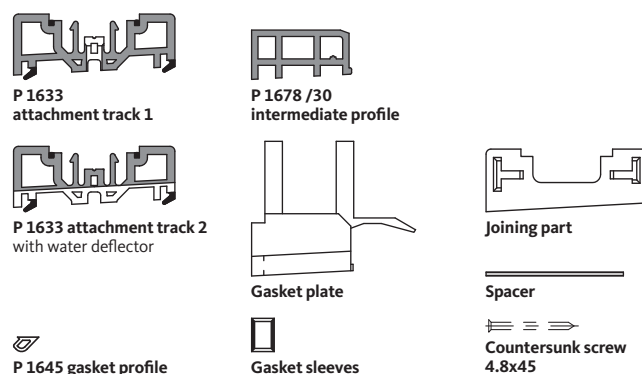
Gasket plate

| | | | | |
|-----------------------------|---|-----------|--------------|--------------------|
| P 1667 drip rail 161 | | | | |
| | | SW | Length = TFW | |
| 1 | 2 | -1450 | 3000 | 1 9-40182-30-0-1 |
| 1 | 2 | 1451-1700 | 3500 | 1 9-40182-35-0-1 |
| 1 | | 1701-1950 | 4000 | 1 9-40182-40-0-1 |
| 1 | | 1951-2200 | 4500 | 1 9-40182-45-0-1 |
| 1 | | 2201-2450 | 5000 | 1 9-40182-50-0-1/5 |



P 1667 drip rail 161

| | | | | |
|-------------------------------|---|-------------------------------------|-------------|--------------------|
| Attachment track D set | | | | |
| | | SW | Length = SW | |
| 1 | 2 | -1450 | 1500 | 1 K-15663-15-0-1 |
| 1 | 2 | 1451-1950 | 2000 | 1 K-15663-20-0-1 |
| 1 | | 1951-2450 | 2500 | 1 K-15663-25-0-1 |
| | | Contained in attachment track D set | | |
| | | Accessories D set | | 1 K-15703-00-0-1/6 |
| | | Contents | | |
| | | 1 joining part | | 9-40293-00-0-1/6 |
| | | 1 gasket plate | | 9-40385-00-0-6 |
| | | 16 gasket sleeves | | 9-39327-00-0-0 |
| | | 23 countersunk screws 4.8x45 | | 9-13089-45-R-1 |



P 1633 attachment track 1

P 1678 /30 intermediate profile

P 1633 attachment track 2 with water deflector

Gasket plate

Gasket sleeves

Joining part

Spacer

Countersunk screw 4.8x45

| | | | | |
|-----|---|--|--|------------------|
| 2,5 | 5 | Décor foil brown – 10 m (UC 5 only) | | 1 9-40858-00-0-5 |
|-----|---|--|--|------------------|

| | | | | |
|--------------------------------|---|-----------|--------------|--------------------|
| P 1659 /10 roller track | | | | |
| | | SW | Length = TFW | |
| 1 | | -2200 | 4500 | 1 9-39330-45-0-1 |
| | 1 | -1450 | 6700 | 1 9-39330-67-0-1/5 |
| 1 | | 2201-2450 | 6700 | 1 9-39330-67-0-1/5 |



P 1659 /10 roller track

Note: Maximum frame width 6700 mm – please observe profile manufacturer's instructions.

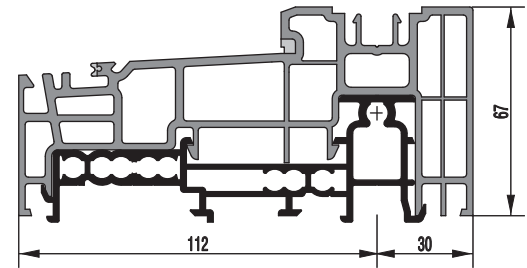
GU-thermostep – Sets

VEKA Softline 70, VEKA Topline – patterns A, C, D and F

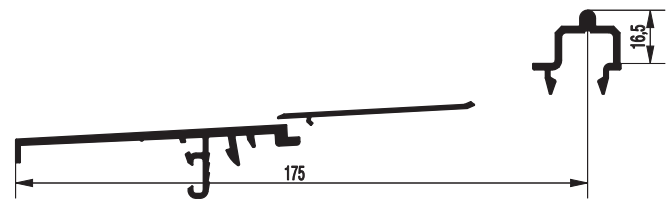


Hardware requirements depending on sash width for patterns A, C, D and F

| Quantity | | Description | PU | Order no. |
|-------------------------------------|---|---|--------------|--------------------|
| A | C | D | F | |
| GU-thermostep base profile | | | | |
| | | SW | Length = TFW | |
| 1 | 1 | -1450 | 3000 | 1 6-29938-30-0-1 |
| | 1 | | 6700 | 1 6-29938-67-0-1/5 |
| 1 | 1 | 1451-1700 | 3500 | 1 6-29938-35-0-1/5 |
| 1 | 1 | 1701-1950 | 4000 | 1 6-29938-40-0-1 |
| 1 | 1 | 1951-2200 | 4500 | 1 6-29938-45-0-1 |
| 1 | 1 | 2201-2450 | 5000 | 1 6-29938-50-0-1/5 |
| Tread threshold 16.5/175 set | | | | |
| | | SW | Length = TFW | |
| 1 | | -1450 | 3000 | 1 K-15659-30-0-1 |
| | 2 | | 6000 | 1 K-15659-30-0-1 |
| 1 | | 1451-1700 | 3500 | 1 K-15659-35-0-1/5 |
| 1 | | 1701-1950 | 4000 | 1 K-15659-40-0-1 |
| 1 | | 1951-2200 | 4500 | 1 K-15659-45-0-1 |
| 1 | | 2201-2450 | 5000 | 1 K-15659-50-0-1/5 |
| Attachment track A set | | | | |
| | | SW | Length = SW | |
| 1 | 2 | -1450 | 1500 | 1 K-15664-15-0-1 |
| 1 | | 1451-1950 | 2000 | 1 K-15664-20-0-1 |
| 1 | | 1951-2450 | 2500 | 1 K-15664-25-0-1 |
| | | Contained in attachment track A set | | |
| | | Accessories A set | | |
| | | Contents | | |
| | | 2 end plate 9-41252-00-L-1/6 | | |
| | | 2 end plate 9-41252-00-R-1/6 | | |
| | | 1 end cap 9-40295-00-L-1/6 | | |
| | | 1 end cap 9-40295-00-R-1/6 | | |
| | | 1 sealing part 9-42798-00-0-6 | | |
| | | 1 gasket plate 9-40383-00-0-6 | | |
| P 1676 drip rail 175 | | | | |
| | | SW | Length = TFW | |
| 1 | 2 | -1450 | 3000 | 1 9-40381-30-0-1 |
| 1 | 2 | 1451-1700 | 3500 | 1 9-40381-35-0-1 |
| 1 | | 1701-1950 | 4000 | 1 9-40381-40-0-1 |
| 1 | | 1951-2200 | 4500 | 1 9-40381-45-0-1 |
| 1 | | 2201-2450 | 5000 | 1 9-40381-50-0-1 |
| Attachment track D set | | | | |
| | | SW | Length = SW | |
| 1 | 2 | -1450 | 1500 | 1 K-15701-15-0-1 |
| 1 | 2 | 1451-1950 | 2000 | 1 K-15701-20-0-1 |
| 1 | | 1951-2450 | 2500 | 1 K-15701-25-0-1/5 |
| | | Contained in attachment track D set | | |
| | | Accessories D set | | |
| | | Contents | | |
| | | 2 end plate 9-41252-00-L-1/6 | | |
| | | 2 end plate 9-41252-00-R-1/6 | | |
| | | 1 sealing part 9-42798-00-0-6 | | |
| | | 1 joining part 9-40293-00-0-1/6 | | |
| | | 1 gasket plate 9-40383-00-0-6 | | |
| | | 16 gasket sleeves 9-39327-00-0-0 | | |
| | | 23 countersunk screws 4.8x45 9-13089-45-R-1 | | |
| 2,5 | 5 | Décor foil brown – 10 m | | 1 9-40858-00-0-5 |
| | | (UC 5 only) | | |
| P 1675 /16.5 roller track | | | | |
| | | SW | Length = TFW | |
| 1 | 1 | -2450 | 6700 | 1 9-40380-67-0-1/5 |



GU-thermostep base profile



P 1676 drip rail 175

P 1642 tread threshold (½ length)

P 1675 /16.5 roller track



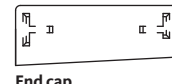
P 1633 attachment track 1



P 1677 /42 intermediate profile



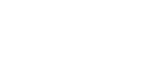
P 1675 /16.5 roller track



End cap



Gasket plate



End plate



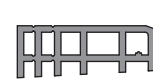
Sealing part



P 1676 drip rail 175



P 1633 attachment track 1



P 1677 /42 intermediate profile



P 1675 /16.5 roller track



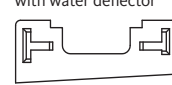
P 1633 attachment track 2 with water deflector



Gasket plate



Sealing part



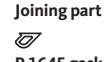
Joining part



Gasket plate



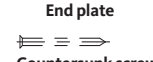
End plate



P 1645 gasket profile



Gasket sleeves



Countersunk screw 4.8x45



P 1675 /16.5 roller track

Note:
Maximum frame width 6700 mm – please observe profile manufacturer's instructions.

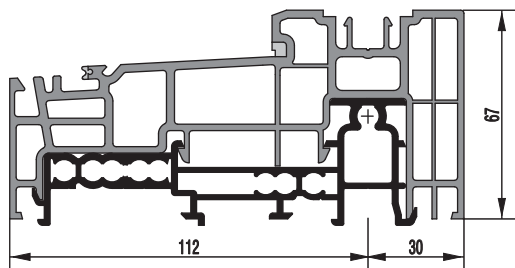
GU-thermostep – single components

Thermally-broken threshold – base profile, attachment track

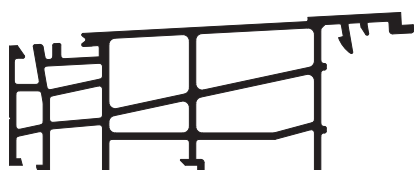


Profile system / Illustration

All profile systems



GU-thermostep base profile



P 1719 extension profile for patterns E and L

Description

PU

Order no.

GU-thermostep base profile

Length mm = TFW

| | | |
|------|---|------------------|
| 3000 | 1 | 6-29938-30-0-1 |
| 3500 | 1 | 6-29938-35-0-1/5 |
| 4000 | 1 | 6-29938-40-0-1 |
| 4500 | 1 | 6-29938-45-0-1 |
| 5000 | 1 | 6-29938-50-0-1/5 |
| 6700 | 1 | 6-29938-67-0-1/5 |

P 1719 extension profile for patterns E and L

Length mm = TFW

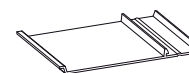
| | | |
|------|---|----------------|
| 6700 | 1 | P-01719-67-0-1 |
|------|---|----------------|

Optional parts

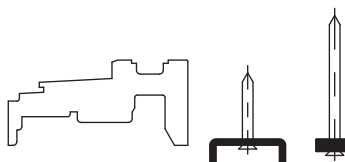
| | | |
|--------------------|---|----------------|
| Wall anchor | 1 | 9-40086-00-0-1 |
| Packer | 1 | 9-43065-00-0-0 |



Wall anchor
Coupling part set



Packer
1 K-15432-00-0-1



Coupling part set

All profile systems



P 1633 attachment track 1

P 1633 attachment track 1

Length mm = SW

| | | |
|------|---|------------------|
| 1500 | 1 | 9-40300-15-0-1 |
| 2000 | 1 | 9-40300-20-0-1 |
| 2500 | 1 | 9-40300-25-0-1 |
| 3350 | 1 | 9-40300-33-0-1/5 |
| 6700 | 1 | 9-40300-67-0-1 |



P 1633 attachment track 2 with water deflector

P 1633 attachment track 2 with water deflector

Length mm = SW

| | | |
|------|---|------------------|
| 1500 | 1 | 9-39310-15-0-1 |
| 2000 | 1 | 9-39310-20-0-1 |
| 2500 | 1 | 9-39310-25-0-1/5 |
| 3350 | 1 | 9-39310-33-0-1/5 |
| 6700 | 1 | 9-39310-67-0-1 |

Aluplast Ideal 4000, EuroFutur/PremiDoor, Rehau Geneo



P 1715 attachment track 170

P 1715 attachment track 170

Length mm = SW

| | | |
|------|---|----------------|
| 1500 | 1 | P-01715-15-0-1 |
| 2000 | 1 | P-01715-20-0-1 |
| 2500 | 1 | P-01715-25-0-1 |
| 3350 | 1 | P-01715-33-0-1 |
| 6700 | 1 | P-01715-67-0-1 |



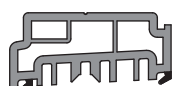
P 1715 attachment track 270 with water deflector

P 1715 attachment track 270 with water deflector

Length mm = SW

| | | |
|------|---|----------------|
| 1500 | 1 | 9-42789-15-0-1 |
| 2000 | 1 | 9-42789-20-0-1 |
| 2500 | 1 | 9-42789-25-0-1 |
| 3350 | 1 | 9-42789-33-0-1 |
| 6700 | 1 | 9-42789-67-0-1 |

Gealan 8000 (A + C), Salamander iD (A + C), Roplasto 4001 (A + C)



P 1634 attachment track

P 1634 attachment track










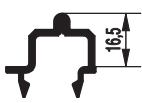

Length mm = SW

| | | |
|------|---|------------------|
| 1500 | 1 | 9-39309-15-0-1 |
| 2000 | 1 | 9-39309-20-0-1 |
| 2500 | 1 | 9-39309-25-0-1/5 |
| 3350 | 1 | 9-39309-33-0-1/5 |
| 6700 | 1 | 9-39309-67-0-1 |

GU-thermostep – single components

Thermally-broken threshold – intermediate profile, roller track











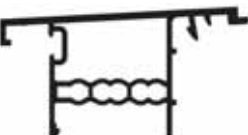
| Profile system / Illustration | Description | PU | Order no. |
|---|--|----|------------------|
| Aluplast Ideal 4000, EuroFutur/PremiDoor, Inoutic AD, Veka Softline 58 | P 1678 /30 intermediate profile Length mm = SW | | |
|  | 1450 | 1 | 9-40384-15-0-1 |
| | 1950 | 1 | 9-40384-20-0-1 |
| | 2450 | 1 | 9-40384-25-0-1 |
| | 3300 | 1 | 9-40384-33-0-1/6 |
| Deceuninck, Gealan 8000, Salamander iD, Roplasto 4001 | P 1641 /41 intermediate profile Length mm = SW | | |
|  | 1450 | 1 | 9-39317-15-0-1 |
| | 1950 | 1 | 9-39317-20-0-1 |
| | 2450 | 1 | 9-39317-25-0-1 |
| | 3300 | 1 | 9-39317-33-0-1/6 |
| Rehau Brillant Design S 785, Veka Topline/Softline 70 | P 1677 /42 intermediate profile Length mm = SW | | |
|  | 1450 | 1 | 9-40382-15-0-1 |
| | 1950 | 1 | 9-40382-20-0-1 |
| | 2450 | 1 | 9-40382-25-0-1 |
| | 3300 | 1 | 9-40382-33-0-1/6 |
| Schüco Corona CT 70, Veka Slide | P 1682 /45 intermediate profile Length mm = SW | | |
|  | 1450 | 1 | 9-40413-15-0-1 |
| | 1950 | 1 | 9-40413-20-0-1 |
| | 2450 | 1 | 9-40413-25-0-1 |
| | 3300 | 1 | 9-40413-33-0-1/6 |
| | P 1846 /61 intermediate profile Length mm = SW | | |
|  | 1450 | 1 | P-01846-15-0-1 |
| | 1950 | 1 | P-01846-20-0-1 |
| | 2450 | 1 | P-01846-25-0-1 |
| | 3300 | 1 | P-01846-33-0-1/6 |
| All profile systems | P 1645 gasket profile | | |
|  | P 1645 gasket profile, 3350 mm [1] | 1 | 9-39736-33-0-6 |
| Rehau Brillant Design S 785, Schüco Corona CT 70, Veka Softline 58 | P 1659 /10 roller track Length mm = TFW | | |
|  | 3000 | 1 | 9-39330-30-0-1 |
| | 3500 | 1 | 9-39330-35-0-1 |
| | 4000 | 1 | 9-39330-40-0-1 |
| | 4500 | 1 | 9-39330-45-0-1 |
| | 5000 | 1 | 9-39330-50-0-1/5 |
| | 6700 | 1 | 9-39330-67-0-1/5 |
| Aluplast Ideal 4000, EuroFutur/PremiDoor | P 1690 /13 roller track Length mm = TFW | | |
|  | 6700 | 1 | 9-41254-67-0-1 |
| Deceuninck, Gealan 8000, Roplasto 4001, Salamander iD, Inoutic AD | P 1635 /15 roller track Length mm = TFW | | |
|  | 3000 | 1 | 9-39311-30-0-1 |
| | 3500 | 1 | 9-39311-35-0-1 |
| | 4000 | 1 | 9-39311-40-0-1 |
| | 4500 | 1 | 9-39311-45-0-1 |
| | 5000 | 1 | 9-39311-50-0-1/5 |
| | 6700 | 1 | 9-39311-67-0-1/5 |
| Veka Topline/Softline 70 | P 1675 /16.5 roller track Length mm = TFW | | |
|  | 6700 | 1 | 9-40380-67-0-1/5 |
| Veka Slide | P 1836 /11 roller track Length mm = TFW | | |
|  | 1500 | 1 | P-01836-15-0-1 |
| | 2000 | 1 | P-01836-20-0-1 |
| | 2500 | 1 | P-01836-25-0-1 |
| | 3000 | 1 | P-01836-30-0-1 |
| | 3500 | 1 | P-01836-35-0-1 |
| | 4000 | 1 | P-01836-40-0-1 |
| | 4500 | 1 | P-01836-45-0-1 |
| | 5000 | 1 | P-01836-50-0-1 |
| | 6700 | 1 | P-01836-67-0-1 |

F

GU-thermostep – single components

Thermally-broken threshold – tread threshold, drip rail


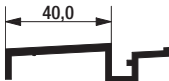


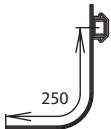


| Profile system / Illustration | Description | PU | Order no. |
|---|--|----|------------------|
| All profile systems | P 1642 tread threshold | | |
|  | Length mm = SW | | |
| P 1642 tread threshold | 1500 | 1 | 9-39318-15-0-1/5 |
| | 2000 | 1 | 9-39318-20-0-1/5 |
| | 2500 | 1 | 9-39318-25-0-1/5 |
| | 3350 | 1 | 9-39318-33-0-1/5 |
|  | P 1721 tread threshold for patterns E and L | | |
| P 1721 tread threshold for patterns E and L | Length mm | | |
| | 4600 | 2 | P-01721-46-0-1 |
| | Décor foil brown – 10 m | 1 | 9-40858-00-0-5 |
| Deceuninck, Gealan 8000, Rehau Brilliant Design S 785, Roplasto 4001, Salamander iD, Schüco Corona CT 70 | P 1639 drip rail 144 | | |
|  | Length mm = TFW | | |
| P 1639 drip rail 144 | 3000 | 1 | 9-39615-30-0-1 |
| | 3500 | 1 | 9-39615-35-0-1 |
| | 4000 | 1 | 9-39615-40-0-1 |
| | 4500 | 1 | 9-39615-45-0-1 |
| | 5000 | 1 | 9-39615-50-0-1/5 |
| | 6700 | 1 | 9-39615-67-0-1 |
| Inoutic AD, Veka Softline 58 | P 1667 drip rail 161 | | |
|  | Length mm = TFW | | |
| P 1667 drip rail 161 | 3000 | 1 | 9-40182-30-0-1 |
| | 3500 | 1 | 9-40182-35-0-1 |
| | 4000 | 1 | 9-40182-40-0-1 |
| | 4500 | 1 | 9-40182-45-0-1 |
| | 5000 | 1 | 9-40182-50-0-1/5 |
| | 6700 | 1 | 9-40182-67-0-1 |
| Aluplast Ideal 4000, EuroFutur/PremiDoor, Veka Topline/Softline 70 | P 1676 drip rail 175 | | |
|  | Length mm = TFW | | |
| P 1676 drip rail 175 | 3000 | 1 | 9-40381-30-0-1 |
| | 3500 | 1 | 9-40381-35-0-1 |
| | 4000 | 1 | 9-40381-40-0-1 |
| | 4500 | 1 | 9-40381-45-0-1 |
| | 5000 | 1 | 9-40381-50-0-1 |
| | 6700 | 1 | 9-40381-67-0-1/5 |
|  | P 1716 drip rail 190 | | |
| P 1716 drip rail 190 | Length mm = TFW | | |
| | 6000 | 1 | P-01716-60-0-1 |
| | 6700 | 1 | P-01716-67-0-1/5 |
| All profile systems | P 1651 drip rail with coupling | | |
|  | Length mm = TFW | | |
| P 1651 drip rail with coupling | 6700 | 1 | 9-39617-67-0-1 |
|  | P 1842 drip rail 160 | | |
| P 1842 drip rail 160 | Length mm = TFW | | |
| | 3000 | 1 | 9-45720-30-0-1 |
| | 3500 | 1 | 9-45720-35-0-1 |
| | 4000 | 1 | 9-45720-40-0-1 |
| | 4500 | 1 | 9-45720-45-0-1 |
| | 5000 | 1 | 9-45720-50-0-1 |
| | 6700 | 1 | 9-45720-67-0-1 |
|  | P 1837 drip rail 179 | | |
| P 1837 drip rail 179 | Length mm = TFW | | |
| | 3000 | 1 | 9-45646-30-0-1 |
| | 3500 | 1 | 9-45646-35-0-1 |
| | 4000 | 1 | 9-45646-40-0-1 |
| | 4500 | 1 | 9-45646-45-0-1 |
| | 5000 | 1 | 9-45646-50-0-1/5 |
| | 6700 | 1 | 9-45646-67-0-1 |

GU-thermostep – single components

Thermally-broken threshold – extension, anti-moisture foil

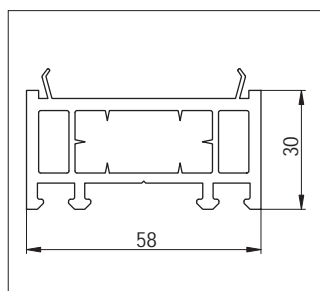


| Profile system / Illustration | Description | PU | Order no. |
|--|---|----|------------------|
| Extensions for drip rails P 1639, P 1837, P 1842  P 1051 extension 25 | P 1051 extension 25 Length mm = TFW 6700 | 1 | 9-27968-67-0-1/5 |
|  P 1840 extension 40 | P 1840 extension 40 Length mm = TFW 6700 | 1 | P-01840-67-0-1 |
|  P 1918 extension 60 | P 1918 extension 60 Length mm = TFW 6700 | 1 | P-01918-67-0-1/5 |
|  P 859 gasket profile | P 859 gasket profile, m. Please order a P 859 gasket profile per extension. | 1 | W-751018 |
| All profile systems  Anti-moisture foil Width 250 mm | Anti-moisture foil, 50 m | 1 | 9-39737-25-0-6 |

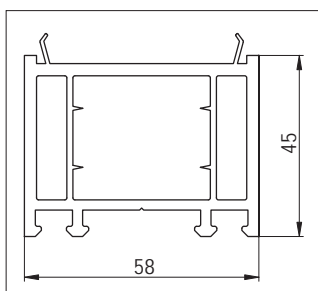
F

GU-thermostep – single components

Thermally-broken threshold – extension, 'COMFORT' profiles



HVA extension profile – 30 mm

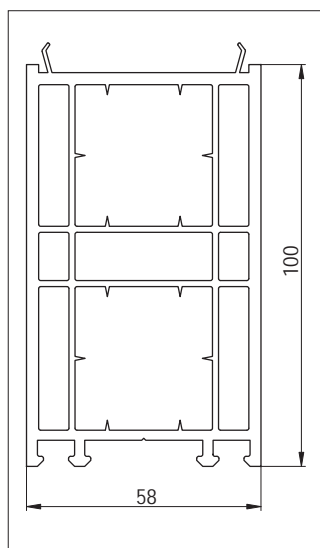


HVA extension profile – 45 mm

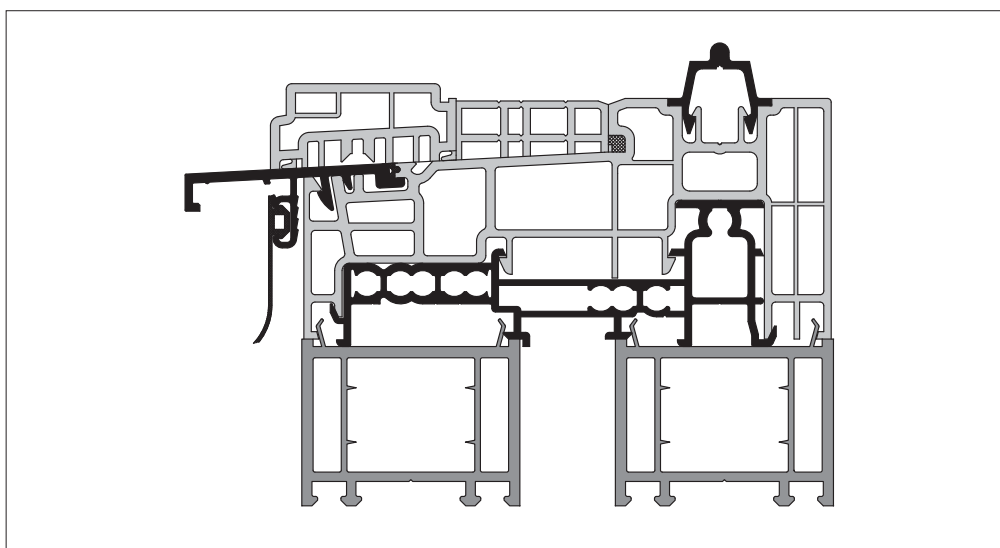
The clip-on extension profiles providing thermal insulation against the structure underneath the door come with a height of 30, 45 and 100 mm.

HVA extension profile of PVC

| PG | Description | Width mm | Colour | PU | Order no. |
|-----|-----------------------|----------|--------|------|----------------|
| YPS | HVA extension profile | 30 | white | 26 m | H-00474-00-0-7 |
| | | 45 | white | 26 m | H-00474-01-0-7 |
| | | 100 | white | 13 m | H-00474-02-0-7 |



HVA extension profile – 100 mm



Installation example: GU-thermostep with HVA extension profile 45

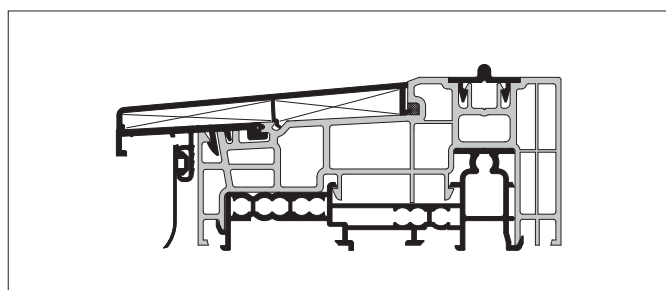
'COMFORT' profile for barrier-free construction with GU-thermostep



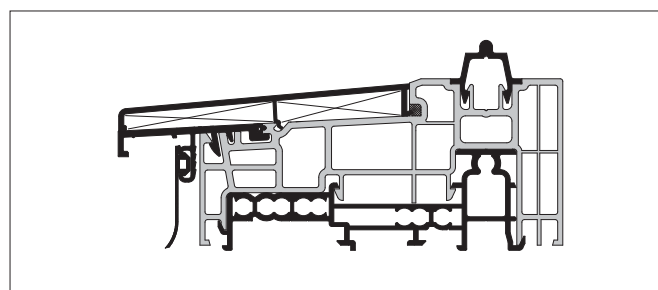
P 01767 'COMFORT' profile

'COMFORT' profile for barrier-free construction

| PG | Description | Length mm | Colour | PU | Order no. |
|----|---------------------------|-----------|--------|----|----------------|
| FV | P 01767 'COMFORT' profile | 3300 | EV 1 | 1 | P-01767-33-0-1 |



Installation example: GU-thermostep with P 1636 / 5 roller track and P 01767 'COMFORT' profile



Installation example: GU-thermostep with P 1635 / 15 roller track and P 01767 'COMFORT' profile

GU-thermostep – hardware requirements

Thermally-broken threshold – sets according to patterns A to F



| Pattern A | C | D | F | | PU | Aluplast Ideal 4000 | Deceuninck | EuroFutur / PremiDoor | Gealan 8000 | Rehau Brilliant [5] Design S 785 | Rehau Geneo | Salamander iD | Roplasto 4001 |
|-----------|-----------|-------|-------|--|----|---------------------|----------------|-----------------------|----------------|----------------------------------|------------------|----------------|----------------|
| 1/TFW | 1/TFW | 1/TFW | 1/TFW | GU-thermostep base profile [1] | 1 | 6-29938-**-0-* | 6-29938-**-0-* | 6-29938-**-0-* | 6-29938-**-0-* | 6-29938-**-0-* | 6-35221-**-0-* | | |
| 1/TFW | 1/TFW | 1/TFW | 1/TFW | P 1839 cover profile [1] | 1 | | | | | | P-01839-50-0-1 | | |
| 1/TFW | 1/TFW | | | Tread threshold set [1] | 1 | K-15877-**-0-* | K-15655-**-0-* | K-15877-**-0-* | K-15655-**-0-* | K-16643-**-0-* | K-18015-**-0-1/6 | K-15655-**-0-* | K-15655-**-0-* |
| 1/FS 1 | 2/FS 2 | | | Attachment track A set [1] | 1 | K-16395-**-0-* | K-16648-**-0-* | K-16395-**-0-* | K-16393-**-0-* | K-16743-**-0-* | K-18016-**-0-1/6 | K-16393-**-0-* | K-16393-**-0-* |
| | | 1/SW | 2/SW | Accessories A set | 1 | | | | | | K-18017-**-0-1/6 | | |
| | | 1/SW | 2/SW | Attachment track D set [1] | 1 | K-16396-**-0-* | K-16649-**-0-* | K-16396-**-0-* | | | K-18020-**-0-1/6 | K-16394-**-0-* | K-16394-**-0-* |
| 1/TFW | 1/TFW | 1/TFW | 1/TFW | Anti-moisture foil, 50 m | 1 | 9-39737-25-0-6 | 9-39737-25-0-6 | 9-39737-25-0-6 | 9-39737-25-0-6 | 9-39737-25-0-6 | 9-39737-25-0-6 | 9-39737-25-0-6 | 9-39737-25-0-6 |
| 1/m | 1/m | 1/m | 1/m | Wall anchor [3] | 1 | 9-40086-00-0-1 | 9-40086-00-0-1 | 9-40086-00-0-1 | 9-40086-00-0-1 | 9-40086-00-0-1 | 9-40086-00-0-1 | 9-40086-00-0-1 | 9-40086-00-0-1 |
| 2/m | 2/m | 2/m | 2/m | Packer [4] | 1 | 9-43065-00-0-0 | 9-43065-00-0-0 | 9-43065-00-0-0 | 9-43065-00-0-0 | 9-43065-00-0-0 | 9-43065-00-0-0 | 9-43065-00-0-0 | 9-43065-00-0-0 |
| | | 1/SW | 2/SW | Decor foil, brown – 10 m (only with UC 5) | 1 | 9-40858-00-0-5 | 9-40858-00-0-5 | 9-40858-00-0-5 | | | 9-40858-00-0-5 | 9-40858-00-0-5 | 9-40858-00-0-5 |
| | | 1/TFW | 1/TFW | Roller track [1] | 1 | 9-41254-**-0-* | 9-39311-**-0-* | 9-41254-**-0-* | | | 9-39330-**-0-* | 9-39311-**-0-* | 9-39311-**-0-* |
| | | 1/TFW | 1/TFW | Drip rail [1] | 1 | 9-40381-**-0-* | 9-39615-**-0-* | 9-40381-**-0-* | | | 9-45646-**-0-* | 9-39615-**-0-* | 9-39615-**-0-* |

| Pattern A | C | D | F | | PU | Schüco Corona CT 70 | Inoutic AD | Veka Slide | Veka Softline 58 | Veka Softline 70 Veka Topline | | |
|-----------|-----------|-------|-------|--|----|---------------------|----------------|----------------|------------------|-------------------------------|--|--|
| 1/TFW | 1/TFW | 1/TFW | 1/TFW | GU-thermostep base profile [1] | 1 | 6-29938-**-0-* | 6-29938-**-0-* | 6-29938-**-0-* | 6-29938-**-0-* | 6-29938-**-0-* | | |
| 1/TFW | 1/TFW | | | Tread threshold set [1] | 1 | K-16643-**-0-* | K-15875-**-0-* | K-18004-**-0-* | K-15657-**-0-* | K-15659-**-0-* | | |
| 1/FS 1 | 2/FS 2 | | | Attachment track A set [1] | 1 | K-16644-**-0-* | K-16389-**-0-* | K-18005-**-0-* | K-15662-**-0-* | K-15664-**-0-* | | |
| | | 1/SW | 2/SW | Accessories A set | 1 | | | K-18006-00-0-1 | | | | |
| | | 1/SW | 2/SW | Attachment track D set [1] | 1 | K-16645-**-0-* | K-16390-**-0-* | K-18012-**-0-* | K-15663-**-0-* | K-15701-**-0-* | | |
| | | 1/SW | 2/SW | Accessories D set | 1 | | | K-18013-00-0-1 | | | | |
| 1/TFW | 1/TFW | 1/TFW | 1/TFW | Anti-moisture foil, 50 m | 1 | 9-39737-25-0-6 | 9-39737-25-0-6 | 9-39737-25-0-6 | 9-39737-25-0-6 | 9-39737-25-0-6 | | |
| 1/m | 1/m | 1/m | 1/m | Wall anchor [3] | 1 | 9-40086-00-0-1 | 9-40086-00-0-1 | 9-40086-00-0-1 | 9-40086-00-0-1 | 9-40086-00-0-1 | | |
| 2/m | 2/m | 2/m | 2/m | Packer [4] | 1 | 9-43065-00-0-0 | 9-43065-00-0-0 | 9-43065-00-0-0 | 9-43065-00-0-0 | 9-43065-00-0-0 | | |
| | | 1/SW | 2/SW | Decor foil, brown – 10 m (only with UC 5) | 1 | 9-40858-00-0-5 | 9-40858-00-0-5 | | 9-40858-00-0-5 | 9-40858-00-0-5 | | |
| 1/TFW | 1/TFW | 2/TFW | 2/TFW | Roller track [1] | 1 | 9-39330-**-0-* | | | | | | |
| | | 1/TFW | 1/TFW | Roller track [1] | 1 | | 9-39311-**-0-* | P-01836-**-0-* | 9-39330-**-0-* | 9-40380-**-0-* | | |
| | | 1/TFW | 1/TFW | Drip rail [1] | 1 | 9-39615-**-0-* | 9-40182-**-0-* | 9-45720-**-0-* | 9-40182-**-0-* | 9-40381-**-0-* | | |
| 1/TFW | 1/TFW | 1/TFW | 1/TFW | Sealing tape | 1 | | | 9-47108-00-0-6 | | | | |

[1] * = Colour: 1 = EV 1, 5 = UC 5

[4] = 2 packers per m of GU-thermostep base profile

[6] = Alternatively: Threshold 6-29938-**-0-*, when a enlargement profile Rehau is not used.

[3] = 1 wall anchor per m of GU-thermostep base profile

[5] Only patterns A and C – alternatively: Tread threshold 5/144 set K-15658-00-0-* with P 1636 /5 roller track 9-39312-**-0-*

Legend

TFW = Total frame width

3000 mm -**- = Size 30

3500 mm -**- = Size 35

4000 mm -**- = Size 40

4500 mm -**- = Size 45

5000 mm -**- = Size 50

6700 mm -**- = Size 67, stock length

SW = Sash width

1500 mm -**- = Size 15

2000 mm -**- = Size 20

2500 mm -**- = Size 25

3350 mm -**- = Size 33

FS = Fixed sash

1500 mm -**- = Size 15

2000 mm -**- = Size 20

2500 mm -**- = Size 25

3350 mm -**- = Size 33

6700 mm -**- = Size 67, stock length



Hardware requirements depending on sash size for patterns A and C Profile systems Aluplast Ideal 4000, EuroFutur / PremiDoor, Gealan S 8000

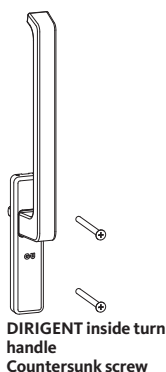
| Qty. A C | Ref. dim. | Description | PU | Aluplast Ideal 4000 | EuroFutur / PremiDoor | Gealan S 8000 | |
|-------------|--------------|--|----------------|------------------------|--------------------------|------------------|-----------|
| 1 2 | | GU-934 bogies set | 1 | K-16488-00-0-1 | K-16488-00-0-1 | K-16488-00-0-1 | |
| 1 2 | | GU-934 K additional hardware set | 1 | K-17431-00-0-0 | K-16728-00-0-0 | K-16778-00-0-0 | |
| 1 1 | | Corner connecting parts set [3] | 1 | K-16727-01-0-1 | K-17011-01-0-1 | K-17116-01-0-1 | |
| 1 2 | | DIRIGENT inside turn handle [1] | 1 | 6-24608-00-0-* | 6-24606-00-0-* | 6-24606-00-0-* | |
| 1 2 | | Flush pull [1] | 1 | 9-29992-01-0-* | 9-29526-00-0-* | 9-29992-01-0-* | |
| 1 2 | SH | GU-934 Lift&Slide gear [1] [4] | | | | | |
| | | Length G [2] | | SH | SH | SH | |
| | | Order no. | | | | | |
| | | 1190 ~ 410 | 6-30021-11-0-* | 10 | 864-1284 | 865-1285 | 859-1279 |
| | | 1770 ~ 410 | 6-30021-19-0-* | 10 | 1234-1864 | 1235-1865 | 1229-1859 |
| | | 2270 ~ 1010 | 6-30021-24-0-* | 10 | 1864-2364 | 1865-2365 | 1859-2359 |
| | | 2670 ~ 1010 | 6-30021-28-0-* | 10 | 2114-2764 | 2115-2765 | 2109-2759 |
| 1 2 | SW | Connecting rod Ø 8 | | | | | |
| | | Length | Order no. | SW | SW | SW | |
| | | 1100 | 9-25476-11-0-1 | 1 | 700-1600 | 750-1600 | 700-1600 |
| | | 1350 | 9-25476-14-0-1 | 1 | 1601-1850 | 1601-1850 | 1601-1850 |
| | | 1850 | 9-25476-18-0-1 | 1 | 1851-2350 | 1851-2350 | 1851-2350 |
| | | 3300 | 9-25476-33-0-1 | 1 | 2351-3300 | 2351-3300 | 2351-3300 |
| 1 | TFW | P 903 guide track [1] | | | | | |
| | | SW | Length | | | | |
| | | 800-1450 | 2900 | 1 | | 9-27190-30-0-* | |
| | | 1451-1700 | 3400 | 1 | | 9-27190-35-0-* | |
| | | 1701-1950 | 3900 | 1 | | 9-27190-40-0-* | |
| | | 1951-2200 | 4400 | 1 | | 9-27190-45-0-* | |
| | | 2201-2450 | 4900 | 1 | | 9-27190-50-0-* | |
| | | 2451-3300 | 6600 | 1 | | 9-27190-67-0-* | |
| 1 1 | TFW | GU threshold 47 base profile [1] | 1 | 6-33848-67-0-1 | 6-33848-67-0-1 | 6-33848-67-0-1 | |
| | | alternatively: GU-flatstep base profile [1] | 1 | 6-34948-67-0-1/5 | 6-34948-67-0-1/5 | 6-34948-67-0-1/5 | |
| 1 2 | TFW | Attachment track set [1] | 1 | K-17707-33-0-1 | K-17707-33-0-1 | K-17710-33-0-1/5 | |
| 1 1 | TFW | Roller track | 1 | | | 9-39311-**-0-1/5 | |
| 1 2 | FS | Roller track for fixed sash | 1 | 9-41254-67-0-1 | 9-41254-67-0-1 | | |
| 1 1 | TFW | Anti-moisture foil, 50 m | 1 | 9-39737-25-0-6 | 9-39737-25-0-6 | 9-39737-25-0-6 | |

[1] * = Colour: 1 = EV 1, 5 = UC 5

[2] = Exact handle position depending on profile dim.

[3] = assembly: frame standing on top of threshold

[4] = Up to 200 kg sash weight with tension spring 9-40235-05-0-0



GU-934 K Lift&Slide hardware

Alternative thresholds



Hardware requirements depending on sash size for patterns A and C Profile systems Rehau Brillant Design S 785, Roplasto 4001, Schüco Corona CT 70

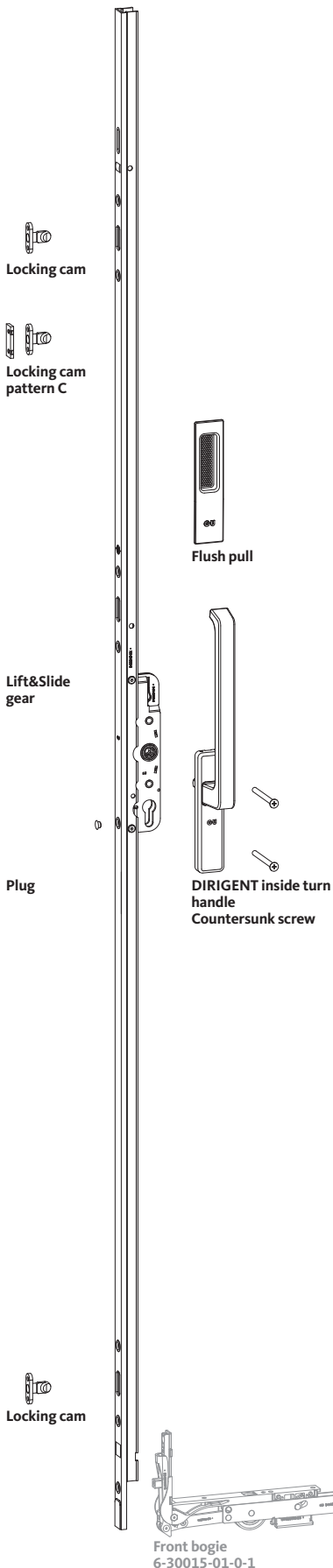
| Qty. | Ref. | Description | PU | Rehau Brillant Design S 785 | Roplasto 4001 | Schüco Corona CT 70 |
|------|------|--|----------------|--------------------------------|------------------|------------------------|
| A | C | dim. | | | | |
| 1 | 2 | GU-934 bogies set | 1 | K-16488-00-0-1 | K-16488-00-0-1 | K-16488-00-0-1 |
| 1 | 2 | GU-934 K additional hardware set | 1 | K-16744-00-0-0 | K-16778-00-0-0 | K-16642-00-0-0 |
| 1 | 2 | Guide track set | 1 | | | K-16578-00-0-6 |
| 1 | 1 | Corner connecting parts set [3] | 1 | K-17326-01-0-0 | | K-16726-01-0-1 |
| 1 | 2 | DIRIGENT inside turn handle [1] | 1 | 6-24608-00-0-* | 6-24606-00-0-* | 6-24606-00-0-* |
| 1 | 2 | Flush pull [1] | 1 | 9-29992-01-0-* | 9-29992-01-0-* | 9-29992-01-0-* |
| 1 | 2 | SH GU-934 Lift&Slide gear [1] [4] | | | | |
| | | Length G [2] | Order no. | SH | SH | SH |
| | | 1190 ~ 410 | 6-30021-11-0-* | 10 795-1215 | 859-1279 | 804-1224 |
| | | 1770 ~ 410 | 6-30021-19-0-* | 10 1165-1795 | 1229-1859 | 1174-1804 |
| | | 2270 ~1010 | 6-30021-24-0-* | 10 1795-2295 | 1859-2359 | 1804-2303 |
| | | 2670 ~1010 | 6-30021-28-0-* | 10 2045-2695 | 2109-2759 | 2054-2704 |
| 1 | 2 | SW Connecting rod Ø 8 | | | | |
| | | Length | Order no. | SW | SW | SW |
| | | 1100 | 9-25476-11-0-1 | 1 720-1600 | 700-1600 | 720-1600 |
| | | 1350 | 9-25476-14-0-1 | 1 1601-1850 | 1601-1850 | 1601-1850 |
| | | 1850 | 9-25476-18-0-1 | 1 1851-2350 | 1851-2350 | 1851-2350 |
| | | 3300 | 9-25476-33-0-1 | 1 2351-3300 | 2351-3300 | 2351-3300 |
| 1 | TFW | P 903 guide track [1] | | | | |
| | | SW | Length | | | |
| | | 800-1450 | 2900 | 1 | 9-27190-30-0-* | |
| | | 1451-1700 | 3400 | 1 | 9-27190-35-0-* | |
| | | 1701-1950 | 3900 | 1 | 9-27190-40-0-* | |
| | | 1951-2200 | 4400 | 1 | 9-27190-45-0-* | |
| | | 2201-2450 | 4900 | 1 | 9-27190-50-0-* | |
| | | 2451-3300 | 6600 | 1 | 9-27190-67-0-* | |
| 1 | 1 | TFW GU threshold 47 base profile [1] | 1 | 6-33848-67-0-1 | 6-33848-67-0-1 | 6-33848-67-0-1 |
| | | alternatively: GU-flatstep base profile [1] | 1 | 6-34948-67-0-1/5 | 6-34948-67-0-1/5 | 6-34948-67-0-1/5 |
| 1 | 2 | TFW Attachment track set [1] | 1 | K-17712-33-0-1/5 | K-17710-33-0-1/5 | K-17715-33-0-1/5 |
| 1 | 1 | TFW Roller track | 1 | 9-39330-**-0-1/5 | 9-39311-**-0-1/5 | 9-39330-**-0-1/5 |
| 1 | 1 | TFW Anti-moisture foil, 50 m | 1 | 9-39737-25-0-6 | 9-39737-25-0-6 | 9-39737-25-0-6 |

[1] * = Colour: 1 = EV 1, 5 = UC 5

[3] = assembly: frame standing on top of threshold

[4] = Up to 200 kg sash weight with tension spring 9-40235-05-0-0

[2] = Exact handle position depending on profile dim.



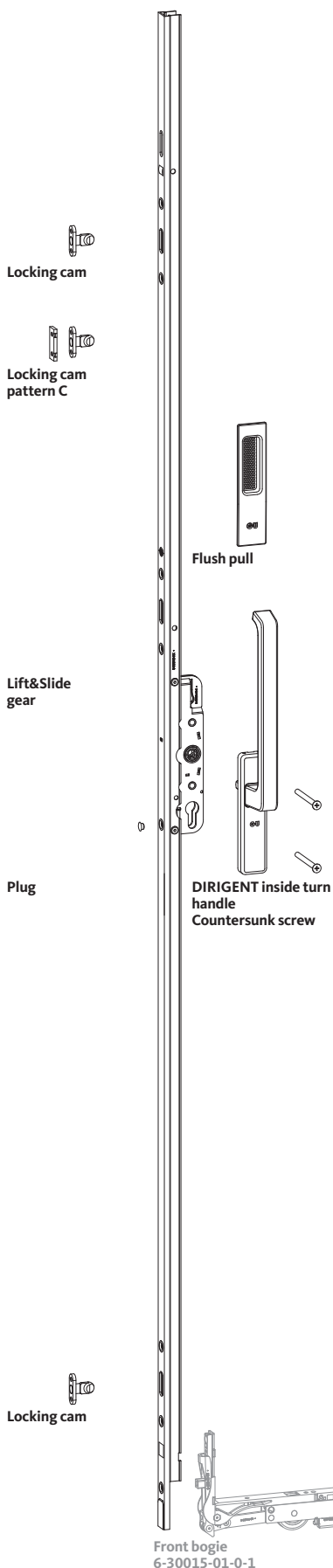
F



Hardware requirements depending on sash size for patterns A and C Profile systems Veka Softline 70, Veka Topline

| Qty. A C | Ref. dim. | Description | PU | Veka Slide | Veka Softline 70 Veka Topline |
|-------------|--------------|--|----------------|------------------|----------------------------------|
| 1 2 | | GU-934 bogies set | 1 | K-16488-00-0-1 | K-16488-00-0-1 |
| 1 2 | | GU-934 K additional hardware set | 1 | | K-15517-00-0-0 |
| 1 | | GU-934 K additional hardware set A | 1 | K-18002-00-0-0 | |
| 1 | | GU-934 K additional hardware set C | 1 | K-18011-00-0-0 | |
| 1 | | Corner connecting parts set A [3] | 1 | K-17871-01-0-* | K-17287-01-0-1 |
| 1 | | Corner connecting parts set C [3] | 1 | K-17871-11-0-* | K-17287-01-0-1 |
| 1 2 | | DIRIGENT inside turn handle [1] | 1 | 6-24608-00-0-* | 6-24606-00-0-* |
| 1 2 | | Flush pull [1] | 1 | 9-29992-02-0-* | |
| 1 2 | SH | GU-934 Lift&Slide gear [1] [4] | | | SH |
| | | Length G [2] | | | |
| | | 1190 ~ 410 | 6-30021-11-0-* | 10 | 829-1249 |
| | | 1770 ~ 410 | 6-30021-19-0-* | 10 | 1199-1829 |
| | | 2270 ~1010 | 6-30021-24-0-* | 10 | 1829-2329 |
| | | 2670 ~1010 | 6-30021-28-0-* | 10 | 2079-2729 |
| 1 2 | SH | GU-934 Lift&Slide gear [1] [4] | | | SH |
| | | Length G [2] | | | |
| | | 1190 ~ 410 | 6-30019-11-0-* | 10 | 850-1270 |
| | | 1770 ~ 410 | 6-30019-19-0-* | 10 | 1220-1850 |
| | | 2270 ~1010 | 6-30019-24-0-* | 10 | 1850-2350 |
| | | 2670 ~1010 | 6-30019-28-0-* | 10 | 2100-2750 |
| 1 2 | SW | Connecting rod Ø 8 | | | |
| | | Length | Order no. | SW | SW |
| | | 1100 | 9-25476-11-0-1 | 1 720-1600 | 720-1600 |
| | | 1350 | 9-25476-14-0-1 | 1 1601-1850 | 1601-1850 |
| | | 1850 | 9-25476-18-0-1 | 1 1851-2350 | 1851-2350 |
| | | 3300 | 9-25476-33-0-1 | 1 2351-3300 | 2351-3300 |
| 1 1 | TFW | GU threshold 47 base profile [1] | 1 | 6-33848-67-0-1 | 6-33848-67-0-1 |
| | | alternatively: GU-flatstep base profile [1] | 1 | 6-34948-67-0-1/5 | 6-34948-67-0-1/5 |
| 1 2 | FS | Sealing tape for fixed sash | 1 | 9-47108-00-0-6 | |
| 1 1 | TFW | Sealing tape for roller track | 1 | 9-47108-01-0-6 | |
| 1 2 | TFW | Attachment track A set [1] | 1 | K-18005-**-0-1 | K-17717-33-0-1/5 |
| 1 2 | | Accessories A set | 1 | K-18141-00-0-1 | |
| 1 1 | TFW | Roller track [1] | 1 | P-01847-**-0-1 | 9-40380-**-0-1/5 |
| 1 1 | TFW | Anti-moisture foil, 50 m | 1 | 9-39737-25-0-6 | 9-39737-25-0-6 |

[1] * = Colour: 1 = EV 1, 5 = UC 5
 [3] = assembly: frame standing on top of threshold
 [4] = Up to 200 kg sash weight with tension spring 9-40235-05-0-0
 [2] = Exact handle position depending on profile dim.



Rear bogie
6-30017-01-0-1

Rubber buffer

Buffer #90 set

GU threshold 47, GU-flatstep – Sets

Thermally-broken threshold – base profile, attachment track and accessories

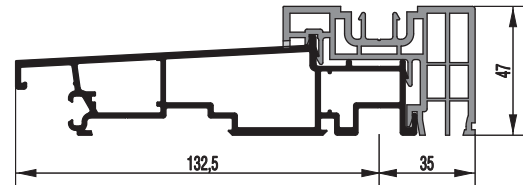


Base profile

Hardware requirements

depending on sash width for patterns A and C

| Quantity A C | Description | PU | Order no. |
|-----------------|--|----|----------------|
| 1 1 | GU threshold 47 base profile SW Length = TFW -3300 6700 | 1 | 6-33848-67-0-1 |

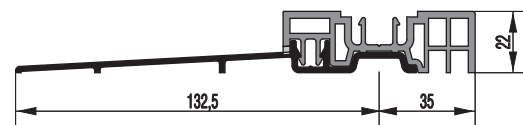


GU threshold 47 base profile

alternatively:

GU-flatstep base profile

| Quantity A C | Description | PU | Order no. |
|-----------------|-------------------------------|----|------------------|
| 1 1 | SW Length = TFW -3300 6700 | 1 | 6-34948-67-0-1/5 |



GU-flatstep base profile

Attachment track and accessories

Aluplast Ideal 4000, Profine Eurofutur/PremiDoor

Hardware requirements

depending on sash width for patterns A and C

| Quantity A C | Description | PU | Order no. |
|-----------------|---|----|----------------|
| 1 2 | Attachment track 70 set SW Length = TFW/SW -3300 6700/3300 | 1 | K-17707-33-0-1 |
| | Contained in attachment track 70 set | | |
| | Accessories 70 set | 1 | K-17708-00-0-1 |
| | Contents | | |
| | 1 end cap left | | 9-42788-00-L-1 |
| | 1 end cap right | | 9-42788-00-R-1 |
| | 1 gasket plate | | 9-45159-00-0-6 |
| 1 2 | P 1690 /13 roller track [1] SW -3300 | 1 | 9-41254-67-0-1 |



P 1715 attachment track 170



P 1678 /30 intermediate profile



P 1690 /13 roller track



End cap



Gasket plate



P 1690 /13 roller track

[1] = For fixed sash, length = 1/2 TFW.

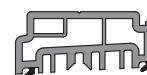
Attachment track and accessories

Gealan S 8000, Roplasto

Hardware requirements

depending on sash width for patterns A and C

| Quantity A C | Description | PU | Order no. |
|-----------------|--|----|------------------|
| 1 2 | Attachment track set SW Length = TFW/SW -3300 6700/3300 | 1 | K-17710-33-0-1/5 |
| | Contained in attachment track set | | |
| | Accessories set | 1 | K-17405-00-0-1 |
| | Contents | | |
| | 1 end cap left | | 9-39328-00-L-1 |
| | 1 end cap right | | 9-39328-00-R-1 |
| | 1 gasket plate 37 | | 9-45578-00-0-6 |
| | 1 gasket plate - rail for slide sash lh | | 9-44559-00-L-6 |
| | 1 gasket plate - rail for slide sash rh | | 9-44559-00-R-6 |
| 1 1 | P 1635 /15 roller track TFW -6700 | 1 | 9-39311-**-0-1 |



P 1634 attachment track



P 1741 /36.5 intermediate profile



End cap



Gasket plate 37



P 1635 /15 roller track

Note:

Maximum frame width 6700 mm – please observe profile manufacturer's instructions. Extensions for GU threshold 47 see page 298.

GU threshold 47, GU-flatstep – Sets

Thermally-broken threshold – attachment track and accessories



Attachment track and accessories Rehau Brillant Design S 785

Hardware requirements depending on sash width for patterns A and C

| Quantity | Description | PU | Order no. |
|----------|-------------|-----------------------------------|-----------------|
| A | C | | |
| 1 | 2 | Attachment track set | |
| | | SW | Length = TFW/SW |
| | | -3300 | 6700/3300 |
| | | Contained in attachment track set | |
| | | Accessories set | |
| | | 1 | K-17713-00-0-1 |
| | | Contents | |
| | | 6 adapter | 9-40414-00-0-1 |
| | | 1 end cap left | 9-40295-00-L-1 |
| | | 1 end cap right | 9-40295-00-R-1 |
| | | 1 gasket plate | 9-45161-00-0-6 |
| | | 2 gasket | 9-44098-00-0-6 |
| 1 | 1 | P 1659 /10 roller track | |
| | | TFW | |
| | | -6700 | 9-39330-**-0-1 |



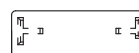
P 1633 attachment track 1



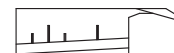
P 1677 /42 intermediate profile



Adapter



End cap



Gasket plate



P 1659 /10 roller track

Attachment track and accessories Schüco Corona CT 70

Hardware requirements depending on sash width for patterns A and C

| Quantity | Description | PU | Order no. |
|----------|-------------|-----------------------------------|-----------------|
| A | C | | |
| 1 | 2 | Attachment track set | |
| | | SW | Length = TFW/SW |
| | | -3300 | 6700/3300 |
| | | Contained in attachment track set | |
| | | Accessories set | |
| | | 1 | K-17716-00-0-1 |
| | | Contents | |
| | | 6 adapter | 9-41783-00-0-1 |
| | | 1 end cap left | 9-40295-00-L-1 |
| | | 1 end cap right | 9-40295-00-R-1 |
| | | 1 gasket plate | 9-45160-00-0-6 |
| 1 | 1 | P 1659 /10 roller track | |
| | | TFW | |
| | | -6700 | 9-39330-**-0-1 |



P 1633 attachment track 1



P 1682 /45 intermediate profile



Adapter



End cap



Gasket plate



P 1659 /10 roller track

Attachment track and accessories Veka Softline 70, Veka Topline

Hardware requirements depending on sash width for patterns A and C

| Quantity | Description | PU | Order no. |
|----------|-------------|-----------------------------------|-----------------|
| A | C | | |
| 1 | 2 | Attachment track set | |
| | | SW | Length = TFW/SW |
| | | -3300 | 6700/3300 |
| | | Contained in attachment track set | |
| | | Accessories set | |
| | | 1 | K-17718-00-0-1 |
| | | Contents | |
| | | 2 end plate left | 9-41252-00-L-1 |
| | | 2 end plate right | 9-41252-00-R-1 |
| | | 1 end cap left | 9-40295-00-L-1 |
| | | 1 end cap right | 9-40295-00-R-1 |
| | | 1 sealing part | 9-45158-00-0-6 |
| | | 1 gasket plate top | 9-45166-00-0-6 |
| 1 | 1 | P 1675 /16.5 roller track | |
| | | TFW | |
| | | -6700 | 9-40380-**-0-1 |



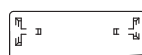
P 1633 attachment track 1



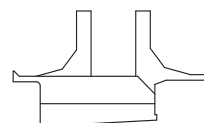
P 1677 /42 intermediate profile



P 1675 /16.5 roller track



End cap



Gasket plate



Sealing part



End plate



P 1675 /16.5 roller track

Note:

Maximum frame width 6700 mm – please observe profile manufacturer's instructions.

GU threshold 47, GU-flatstep – Sets

Thermally-broken threshold – attachment track and accessories



Attachment track and accessories Veka Slide

Hardware requirements

according to sash width for schemes A, C and D

| Quantity | | Description | PU | Order no. |
|--------------------------------|-----|--|-----------------|------------------|
| A | C D | | | |
| Attachment track A set | | | | |
| | | SW | Length = TFW/SW | |
| 1 | 2 | -3300 | 6700/3300 | 1 K-18005-**-0-1 |
| Accessories A set | | | | |
| 1 | 2 | | | 1 K-18141-00-0-1 |
| Contents | | | | |
| | | 1 gasket plate | | 9-45702-00-0-6 |
| | | 1 gasket plate Veka | | 9-46233-00-0-6 |
| | | 1 gasket plate meeting stile A | | 9-47105-00-0-6 |
| | | 2 gasket plate for roller track | | 9-46064-00-0-7 |
| | | 2 gasket plate for profile | | 9-46065-00-0-7 |
| | | 1 gasket plate for attachment track Veka | | 9-47120-00-0-6 |
| | | 1 gasket plate for attachment track le | | 9-47104-00-L-1 |
| | | 1 gasket plate for attachment track ri | | 9-47104-00-R-1 |
| | | 1 end cap left | | 9-40295-00-L-1 |
| | | 1 end cap right | | 9-40295-00-R-1 |
| Attachment track D set | | | | |
| | | SW | Length = TFW/SW | |
| 1 | | -3300 | 6700/3300 | 1 K-18012-**-0-1 |
| 1 | | | | 1 K-18142-00-0-1 |
| Contents | | | | |
| | | 1 joining part | | 9-40293-00-0-1 |
| | | 2 gasket plate Veka | | 9-46233-00-0-1 |
| | | 2 gasket plate for roller track | | 9-46064-00-0-7 |
| | | 2 gasket plate for profile | | 9-46065-00-0-7 |
| | | 1 sealing pad for bogie | | 9-46256-00-0-6 |
| | | 1 gasket plate meeting stile D | | 9-47106-00-0-6 |
| | | 1 gasket plate for attachment track le | | 9-47104-00-L-7 |
| | | 1 gasket plate for attachment track ri | | 9-47104-00-R-7 |
| | | 1 end cap left | | 9-40295-00-L-1 |
| | | 1 end cap right | | 9-40295-00-R-1 |
| | | 16 gasket sleeves | | 9-39327-00-0-0 |
| | | 23 countersunk screws 4.8x45 | | 9-13089-45-R-1 |
| P 1847 /11 roller track | | | | |
| | | TFW | | |
| | 1 | -5000 | | 1 P-01847-50-0-1 |
| | 1 | -6700 | | 1 P-01847-67-0-1 |
| 1 | 2 | | | 1 9-47108-00-0-6 |
| 1 | 1 | | | 1 9-47108-01-0-6 |

Note:

Maximum frame width 6700 mm – please observe profile manufacturer's instructions.



P 1633
attachment track 1



P 1682 /45
intermediate profile



P 1921
distance profile



P 1633
attachment track 1



P 1682 /45
intermediate profile



P 1836 /11
roller track



P 1633 attachment track 2
with water deflector



P 1645 gasket profile



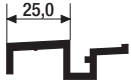
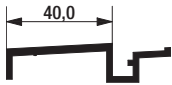
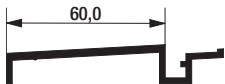

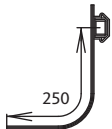
P 1847 /11
roller track

F

GU threshold 47, GU-flatstep – accessories


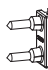
Thermally-broken threshold – extension, anti-moisture foil



| Profile system / Illustration | Description | PU | Order no. |
|---|---|----|------------------|
| Extensions for GU threshold 47  P 1051 extension 25 | P 1051 extension 25 Length mm = TFW 6700 | 1 | 9-27968-67-0-1/5 |
|  P 1840 extension 40 | P 1840 extension 40 Length mm = TFW 6700 | 1 | P-01840-67-0-1 |
|  P 1918 extension 60 | P 1918 extension 60 Length mm = TFW 6700 | 1 | P-01918-67-0-1/5 |
|  P 859 gasket profile | P 859 gasket profile, m. Please order a P 859 gasket profile per extension. | 1 | W-751018 |
| All profile systems  Anti-moisture foil Width 250 mm | Anti-moisture foil, 50 m | 1 | 9-39737-25-0-6 |



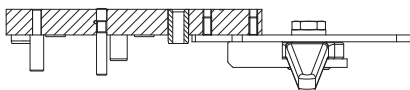
Drilling jigs for GU-934, GU-937

| Application | Description | PU | Order no. |
|---|----------------------------------|----|----------------|
| Hardware installation | Drilling jig for turn handle | 1 | 9-27272-00-0-0 |
|   | Drilling jig for bottom keeper | 1 | 6-34129-00-0-0 |
| | Centre punch for frame cam 12 mm | 1 | 9-27315-00-0-0 |
| | Centre punch for frame cam 31 mm | 1 | 6-33500-00-0-0 |
| | | | |

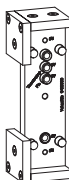
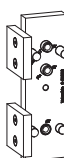
Installation template for GU-thermostep

| Application | Description | PU | Order no. |
|--------------|-------------------------------------|----|----------------|
| Installation | Installation template GU-thermostep | 1 | 9-40563-00-0-0 |


Drilling jigs for GU-thermostep – windows and balcony-doors with corner joint parts

| Application | Description | PU | Order no. |
|---|--------------------------------|----|----------------|
|  | Drilling jigs | | |
| | Aluplast Ideal 4000 | 1 | 6-34287-00-0-0 |
| | Gealan S 8000 | 1 | 6-34288-00-0-0 |
| | Profine EuroFutur (PremiDoor) | 1 | 6-33104-00-0-0 |
| | Profine EuroFutur Schema E | 1 | 6-34292-00-0-0 |
| | Rehau Brillant Design S 785 | 1 | 6-34253-00-0-0 |
| | Schüco Corona CT 70 | 1 | 6-34289-00-0-0 |
| | Veka Softline 70, Veka Topline | 1 | 6-31120-00-0-0 |

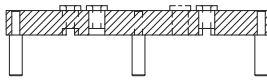
Drilling jigs for GU-thermostep, GU threshold 47, GU-flatstep – windows and balcony-doors with corner joint parts

| Application | Description | PU | Order no. |
|---|--|----|----------------|
|   | Drilling jigs | | |
| | Veka Slide / GU-thermostep | 1 | 6-35830-00-0-0 |
| | Veka Slide / GU threshold 47 and GU-flatstep | 1 | 6-35853-00-0-0 |

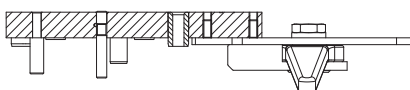
Drilling jig for GU-thermostep, GU threshold 47 and GU-flatstep for attachment track

| Application | Description | PU | Order no. |
|---|---------------------|----|----------------|
|  | Drilling jig | | |
| | Veka Slide | 1 | 6-35838-00-0-0 |

Drilling jigs for GU-thermostep – windows and balcony-doors without corner joint parts

| Application | Description | PU | Order no. |
|---|-----------------------------|----|----------------|
|  | Drilling jigs | | |
| | Aluplast Ideal 4000 | 1 | 6-34287-00-0-0 |
| | Deceuninck | 1 | 6-31900-02-0-0 |
| | Gealan S 8000 | 1 | 6-31900-08-0-0 |
| | Inoutic AD | 1 | 6-31900-06-0-0 |
| | Rehau Brillant Design S 785 | 1 | 6-31900-09-0-0 |
| | Schüco Corona CT 70 | 1 | 6-31900-07-0-0 |
| | Veka Softline 58 | 1 | 6-30745-00-0-0 |

Drilling jigs for GU threshold 47, GU-flatstep – windows and balcony-doors with corner joint parts

| Application | Description | PU | Order no. |
|---|---------------------------------|----|----------------|
|  | Drilling jigs | | |
| | Aluplast Ideal 4000 | 1 | 6-34287-01-0-0 |
| | Gealan S 8000 | 1 | 6-34288-01-0-0 |
| | Profine EuroFutur (PremiDoor) | 1 | 6-33104-01-0-0 |
| | Rehau Brillant Design S 785 | 1 | 6-34253-01-0-0 |
| | Roplasto 4001 | 1 | 6-34288-01-0-0 |
| | Schüco Corona CT 70 | 1 | 6-34289-01-0-0 |
| | Veka Softline 70 / Veka Topline | 1 | 6-31120-01-0-0 |



Introduction, product information

| | |
|---|-----|
| Introduction | 301 |
| Product information | 302 |
| Designs | 302 |
| Horizontal-pivot hardware arrangement | 302 |

Turn handles and optional parts

| | |
|-----------------------------|-----|
| Turn handles DIRIGENT | 303 |
| Rebate stays | 303 |

Hardware requirements, sets

UNITAS 16 horizontal-pivot hardware

| | |
|---|-----|
| Basic hardware sets and strikers..... | 304 |
| UNITAS 16 central locking system type A | 305 |
| UNITAS 16 central locking system type B..... | 306 |
| UNITAS 16 central locking system type C..... | 307 |
| UNITAS 16 central locking system type D | 308 |
| UNITAS 16 central locking system type E..... | 309 |
| UNITAS 16 central locking system type F | 310 |
| UNITAS 16 central locking system type G | 311 |
| UNITAS 16 central locking system type H | 312 |



Contents

The GU order catalogue contains all horizontal-pivot hardware systems including accessories for PVC windows according to the latest state of the art.

The following information will make you familiar with the catalogue structure which is conceived in a way to facilitate your daily work.

Catalogue structure

The GU order catalogue is structured as follows:

- Optional parts and turn handles
- Hardware sets

Optional parts and turn handles

Optional parts and turn handles for the complete horizontal-pivot hardware range are presented on special pages and can be viewed at a glance. All supplements of standard hardware versions are clearly arranged.

Hardware sets

Hardware requirements depending on sash size

The hardware illustrations are accompanied by product tables helping to determine hardware requirements.

Parts for supplementing standard hardware versions are clearly presented and can be selected easily.

Order numbers

The order number gives information about

- the product,
- its size,
- its application – e.g. DIN LH or DIN RH – and
- its colour.

Example

Order number

6-29186-20-0-1

- 6-29186- - - order number
- -20- - size
- - -L- left-side mounting
- - -R- right-side mounting
- - -0- beidseitig verwendbar
- - -1 F 1/EV 1, natural (silver) colour, ferGUard*silver
- - -2 F 2/EV 2, nickel silver / champaign colour
- - -3 F 3, brass colour or gold colour
- - -4 UC 3, medium bronze colour or medium brown
- - -A F 4, bronze colour
- - -C titanium colour
- - -5 UC 5, dark bronze colour or dark brown (RAL 8022)
- - -6 onyx-matt or black (RAL 9005)
- - -7 white (RAL 9016)
- - -8 stainless steel or stainless steel colour
- - -* various finishes available

If the last digit of the order number is an asterisk

*

various colours are available which can be taken from the price list.

Prices

GU gross price list

The prices are listed by ascending order numbers.

Additional sales documents

Apart from the order catalogue, the following documents on horizontal-pivot hardware are available:

- Brochures giving information about product features and benefits
- Direct mail from architectural hardware retailers
- Installation drawings with hardware installation instructions
- Instructions for maintenance and care



Application

Possible applications of UNITAS horizontal-pivot hardware:

- Horizontal-pivot windows with circumferential gasket
- Fanlights, in combination with fanlight openers

Designs

Horizontal-pivot UNITAS 16

Compact screw-on pivot made of non-ferrous metal, for sashes up to 175 kg. Standard version in monobloc construction, exactly adapted to the specifications of various profile systems. Sealing with silicone gaskets.

Turn handles

The DIRIGENT handles feature a cockspur allowing for night ventilation. Lockable DIRIGENT models complete the turn handle range.

Central locking system

The locking system is concealed in the rebate and operated with a single handle. All components are designed for a 16.2 mm wide and 2.5 mm deep hardware groove.

With central locking systems type A to type F, the locking components feature adjustable security mushroom cams.

The connecting rods are coupled by means of double-sided teathed couplings, secured by means of overlapping gears.

Drive gears, extensions and gear connectors are fixed in neutral position (installation position). The corner drives feature 3-leaf springs of stainless steel.

Standard colours

Horizontal-pivot hardware systems are available in the following standard colours:

- EV 1** DIRIGENT turn handle painted EV 1
horizontal-pivot enamelled EV 1,
- UC 5** DIRIGENT handle powder-coated dark brown
(RAL 8022),
horizontal-pivot enamelled UC 5,
- white** DIRIGENT handle powder-coated white (RAL 9016),
horizontal-pivot painted white (RAL 9016),

Further colours and finishes on request.

Standard surface sealing of horizontal-pivot hardware: ferGUard*silver

The hardware components are made of high-quality steel, zinc die cast and aluminium alloys.

All locking components of GU horizontal-pivot hardware come with ferGUard*silver surface sealing.

Abbreviations

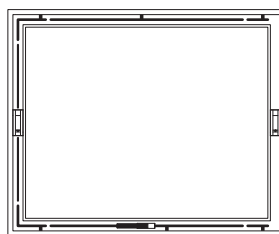
| | |
|-----|--------------------|
| PU | packing unit |
| SRH | sash rebate height |
| SRW | sash rebate width |

Product information of profile system manufacturers

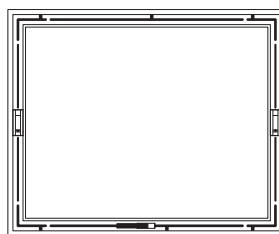
The product guidelines of the profile manufacturers regarding construction, assembly, max. sash dimensions, max. sash weights and material qualities (e.g. linear expansion) are to be observed.

Horizontal-pivot hardware arrangement

Standard central locking system



Circumferential central locking system

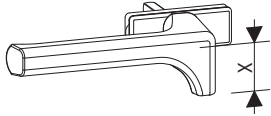


Horizontal-pivot hardware

Turn handles, optional parts



Turn handles DIRIGENT



DIRIGENT-T 45 turn handle
without lugs, dim. "X" = 32 mm
Spindle 30 6-29186-30-0-*
Spindle 40 6-29186-40-0-*
Spindle 50 6-29186-50-0-*
Rosette 24 x 67 mm

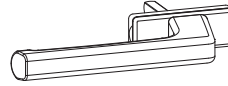
DIRIGENT-T 46 turn handle
without lugs, dim. "X" = 42 mm
Spindle 30 6-29187-30-0-*
Spindle 40 6-29187-40-0-*
Rosette 24 x 67 mm

DIRIGENT-T 49 turn handle
without lugs, dim. "X" = 37 mm
Spindle 20 6-29188-20-0-*
Spindle 30 6-29188-30-0-*
Spindle 40 6-29188-40-0-*
Spindle 50 6-29188-50-0-*
Rosette 24 x 67 mm

DIRIGENT-T 45 turn handle
with lugs – Ø 10 mm, dim. "X" = 32 mm
Spindle 40 6-33670-40-0-*
Spindle 50 6-33670-50-0-*
Rosette 24 x 67 mm

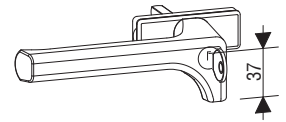
DIRIGENT-T 46 turn handle
with lugs – Ø 10 mm, dim. "X" = 42 mm
Spindle 30 6-31467-30-0-*
Spindle 40 6-31467-40-0-*
Spindle 45 6-31467-45-0-*
Spindle 50 6-31467-50-0-*
Rosette 24 x 67 mm

DIRIGENT-T 49 turn handle
with lugs – Ø 10 mm, dim. "X" = 37 mm
Spindle 20 6-33958-20-0-*
Spindle 40 6-33958-40-0-*
Spindle 45 6-33958-45-0-*
Spindle 50 6-33958-50-0-*
Rosette 24 x 67 mm



DIRIGENT-S 44 turn handle
without lugs
Spindle 20 6-29189-20-0-*
Spindle 30 6-29189-30-0-*
Spindle 40 6-29189-40-0-*
Rosette 24 x 67 mm

DIRIGENT-S 44 turn handle
with lugs – Ø 10 mm
Spindle 40 6-33959-40-0-*
Spindle 50 6-33959-50-0-*
Rosette 24 x 67 mm



DIRIGENT-F/Z turn handle – lockable
with lugs – Ø 10 mm, dim. "X" = 37 mm
1 Spindle 25 – lose
1 Spindle 35 – lose
K-16810-00-0-*
Rosette 28 x 67 mm

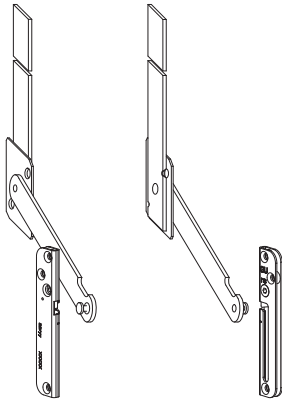


Spindle 7 x 80
9-40571-80-0-1

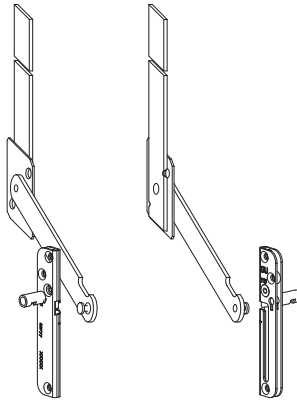


180° lock
9-20017-00-0-*

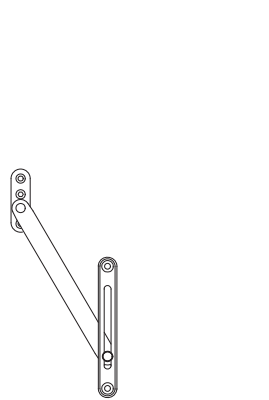
Rebate stays



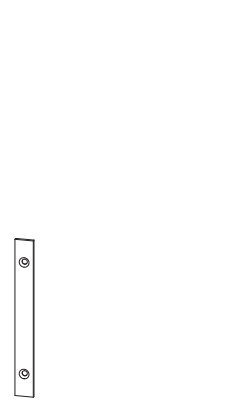
Rebate stay #27 A for adjustment with Allen key
1 rebate stay #27 A 5-21306-00-R-1
1 rebate stay #27 A 5-21306-00-L-1



Rebate stay #27 A for lockable
1 rebate stay #27 A 5-21689-00-R-1
1 rebate stay #27 A 5-21689-00-L-1



Rebate stay #28
with HEX Allen key locking device
for standard central locking system



Face plate for rebate stay #28
9-46004-00-0-1



Key for lockable rebate stays
9-23074-00-0-0
(please order separately)

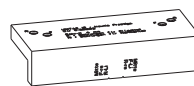
Arm length
150 mm 5-21024-15-0-1
200 mm 5-21024-20-0-1



Rod guide
0-1198A-00-0-0



Anti-drill plate for gear D 30
9-43052-00-0-0



Drilling jig for horizontal-pivot Inoutic Prestige
6-35232-00-0-0



Basic hardware sets and strikers according to profile systems

| Profile systems | Frame profile | Sash profile | Reversible profile | Installation drawing | Central locking system | Back-set mm | Basic hardware set [1] [2] PU = 1 | Standard central locking system | | | Sec central locking system | | Rebate stay |
|-----------------------------|------------------|-----------------|--------------------|----------------------|------------------------|-------------|--------------------------------------|---------------------------------|----------------------------------|--------------------------|----------------------------|------------------------------|--------------|
| | | | | | | | | Striker top PU = 1 | Packer for striker top PU = 1 | Striker bottom PU = 1 | Sec striker top PU = 1 | Sec striker bottom PU = 1 | |
| Alphacan Alpha 70 | 62710 | 64723 | 64740 | 0-45738 | Type B | 30 | K-18052-00-0* | 9-30146-06-0-1 | 9-45623-01-0-1 | E-13534-00-0-1 | (on request) | 6-27831-52-0-1 | #27 A |
| Aluplast Ideal 2000 | 120x07 | 120x31 | 120x63 | 0-45940 | Type B | 30 | K-15450-00-0* | 9-47269-00-0-1 | | E-13534-00-0-1 | (on request) | 6-27831-52-0-1 | (on request) |
| Aluplast Ideal 4000 | 140003 | 140031 | 140069 | 0-44047 | Type A | 30 | K-15634-00-0* | 9-40309-00-0-1 | | E-13534-00-0-1 | (on request) | 6-27831-52-0-1 | #27 A |
| Brüggmann AD | HP 1220 | HP 1540 | HP 3600 | 0-45730 | Type B | 30 | K-18057-00-0* | 9-30146-12-0-1 | 9-45623-02-0-1 | E-13534-00-0-1 | (on request) | 6-27831-52-0-1 | #27 A |
| Deceuninck Zendow | P 3001 | P 3062 | P 3079 | 0-44416 | Type B | 30 | K-16966-00-0* | 9-42892-00-0-1 | | E-13534-00-0-1 | (on request) | 6-27831-52-0-1 | #27 A |
| Gealan S 8000 | 8008 | 8078 | 8080 | 0-44233 | Type D | 25 | K-16541-00-0* | 9-32852-00-0-1 | 9-44346-00-0-1 | E-13534-00-0-1 | (on request) | (on request) | #27 A |
| Inoutic Elite | L 710 | H 730 | SZ 7100 | 0-44692 | Type A | 30 | K-17070-00-0* | 9-35858-00-0-1 | | E-13534-00-0-1 | 6-27674-68-0-1 | 6-27831-52-0-1 | #28 |
| Inoutic Prestige | L 176/6D | TS 276/D | SZ 176/D | 0-45507 | Type B | 30 | K-17910-00-0* | 9-32908-00-0-1 | 9-45752-00-0-1 | E-13534-00-0-1 | 6-27674-67-0-1 | 6-27831-52-0-1 | #27 A |
| Profine Eurodur 3S | 1401 | 1418 | 1173 | 0-42030 | Type G | 25 | K-13699-00-0* | 9-33808-00-0-1 | | 9-30146-17-0-1 | | | #27 A |
| Profine EuroFutur Classic | 2402 | 2418 | 2440 | 0-44318 | Type A | 30 | K-16746-00-0* | 9-32909-00-0-1 | | E-13534-00-0-1 | (on request) | 6-27831-52-0-1 | #28 |
| Profine EuroFutur Elegance | 0102 | 0118 | 0140 | 0-44319 | Type A | 30 | K-16747-00-0* | 9-32909-00-0-1 | | E-13534-00-0-1 | (on request) | 6-27831-52-0-1 | #28 |
| Profine KBE 58 AD | 106 | 519 | 734 | 0-42386 | Type E | 25 | K-13917-00-0* | 9-30147-00-0-1 | | E-13534-00-0-1 | (on request) | 6-27831-52-0-1 | #28 |
| Profine KBE 70 AD | 370 | 374 | 385 | 0-44544 | Type A | 30 | K-17136-00-0* | 9-30146-17-0-1 | 9-46047-00-0-1 | E-13534-00-0-1 | (on request) | 6-27831-52-0-1 | #27 A |
| Profine KBE 70 AD | 370 | 319 | 385 | 0-44544 | Type E | 25 | K-17136-00-0* | 9-30146-17-0-1 | 9-46047-00-0-1 | E-13534-00-0-1 | (on request) | 6-27831-52-0-1 | #27 A |
| Rehau Brillant Design | 550000 | 550400 | 550560 | 0-44763 | Type A | 30 | K-17130-00-0* | 9-42968-00-0-1 | 9-42938-00-0-1 | E-13534-00-0-1 | 6-27831-54-0-1 | 6-27831-52-0-1 | #28 |
| Rehau S 730 | 541060 | 541170 | 541210 | 0-43006 | Type B | 30 | K-14452-00-0* | 9-33808-00-0-1 | | E-13534-00-0-1 | 6-35948-00-0-1 | 6-27831-52-0-1 | #28 |
| Salamander Streamline 76 | 250 230/250 220 | 351 030 | 256 030 | 0-45183 | Type A | 30 | K-17308-00-0* | 9-30146-17-0-1 | 9-43919-00-0-1 | E-13534-00-0-1 | 6-27831-73-0-1 | 6-27831-52-0-1 | #28 |
| Salamander Design 2D | 210 020 | 311 030 | 206 036 | 0-45066 | Type H | 25 | K-17703-00-0* | 9-45027-00-0-1 | | 9-34451-00-0-1 | | | #27 A |
| Schüco Corona CT 70 | 8852 | 8509 | 8636 | 0-45518 | Type A | 30 | K-17887-00-0* | 9-30146-06-0-1 | 9-45623-00-0-1 ^[3] | E-13534-12-0-1 | 6-31067-17-0-1 | 6-27831-52-0-1 | #27 A |
| Veka Softline AD | 101.086 | 102.115 | 102.114 | 0-42940 | Type C | 25 | K-14315-00-0* | 9-32908-00-0-1 | | E-13534-00-0-1 | | | #28 |
| Veka Softline/Topline 70 AD | 102.208/102. 204 | 103.242/103.203 | 102.246/102.236 | 0-44551 | Type B | 30 | K-17195-00-0* | 9-30146-17-0-1 | 9-43555-00-0-1 | E-13534-00-0-1 | 6-30495-08-0-1 | 6-27831-52-0-1 | #28 |
| Veka Softline/Topline 70 AD | 102.208/102. 204 | 103.228/103.205 | 102.246/102.236 | 0-44551 | Type F | 25 | K-17195-00-0* | 9-30146-17-0-1 | 9-43555-00-0-1 | E-13534-00-0-1 | 6-30495-08-0-1 | 6-27831-52-0-1 | #28 |
| Veka Softline/Topline 70 AD | 103.232/103. 212 | 103.242/103.203 | 102.236 | 0-44452 | Type B | 30 | K-17045-00-0* | E-13534-00-0-1 | | E-13534-00-0-1 | 6-27831-52-0-1 | 6-27831-52-0-1 | #28 |
| Veka Softline/Topline 70 AD | 103.232/103. 212 | 103.228/103.205 | 102.236 | 0-44452 | Type F | 25 | K-17045-00-0* | E-13534-00-0-1 | | E-13534-00-0-1 | 6-27831-52-0-1 | 6-27831-52-0-1 | #28 |
| Veka Softline 82 | 101.293 | 103.346 | 102.316 | 0-45845 | Type A | 30 | K-18143-00-0* | 9-30146-08-0-1 | 9-46546-01-0-1 | E-13534-00-0-1 | 6-27831-74-0-1 | 6-27831-52-0-1 | #28 |
| Wymar 3000 | 3000 | 3204 | 3300 | 0-44717 | Type A | 30 | K-17907-00-0* | 9-32909-00-0-1 | 9-45899-00-0-1 | E-13534-00-0-1 | (on request) | 6-27831-52-0-1 | #28 |

[1] Colour: 1 = EV 1, 5 = UC 5, 7 = white (RAL 9016)

[2] Strikers for horizontal-pivot hardware with standard central locking system to sash SRW = 1950 mm are included in basic hardware set.

SRW 1951-2450 = + 1 striker top (+ 1 packer, if required), + 1 striker bottom

SRW 2451-2950 = + 2 strikers top (+ 2 packers, if required), + 2 strikers bottom

[3] At Sec striker top not required.



Sec striker top
Striker top

Striker top

Extension

Extension 500

Extension piece
180°
Corner drive
Four-sided locking
system

Corner drive
Extension 500

Lifting stop

Hardware requirements depending on sash size

| Quantity | | Description | PU | Order no. |
|------------------------|-------|--|------|-----------------|
| Central locking system | | | | |
| Standard | | Four-sided | | |
| 1 | 1 | UNITAS 16 basic hardware set [1] | 1 | (see table) [1] |
| VHH gear, 30BS | | | | |
| SRW | | Faceplate | LC | |
| | | 576- 950 | 630 | 1 |
| | | 951-1450 | 1130 | 1 |
| | | 1451-1950 | 1630 | 2 |
| | | 1951-2450 | 2130 | 3 |
| | | 2451-2950 | 1630 | 2 |
| 1 | 1 | Extension | | |
| SRW | | Faceplate | LC | |
| | | 576- 950 | 630 | 1 |
| | | 951-1450 | 1130 | 1 |
| | | 1451-1950 | 1630 | 2 |
| | | 1951-2450 | 2130 | 3 |
| | | 2451-2950 | 1630 | 2 |
| 4 | 4 | Extension 500 | | |
| SRW | | Faceplate | LC | |
| | | 2451-2950 | 500 | 1 |
| 1 | 2 | Vertical rod | | |
| SRH | | Faceplate | | |
| | | 700- 914 | 630 | 1 |
| | | 915-1164 | 880 | 1 |
| | | 1165-1664 | 1380 | 1 |
| | | 1665-2164 | 1880 | 1 |
| 1 | 2 | Cover rail | | |
| SRH | | Faceplate | | |
| | | 700-1164 | 392 | 1 |
| | | 1165-1664 | 642 | 1 |
| | | 1665-2164 | 892 | 1 |
| | 1 | Corner drive top - 1 LC | | 1 |
| | 1 | Corner drive bottom - 1 LC | | 1 |
| | 1 | Lifting stop | | 1 |
| | | Striker top / Sec striker top | | 1 |
| | | Packer for striker top | | 1 |
| | | SRW | | (see table) [1] |
| - / 2 | - / 2 | 576- 950 [2] | | |
| - / 3 | - / 3 | 951-1450 | | |
| - / 4 | - / 4 | 1451-1950 | | |
| 1 / 5 | 1 / 5 | 1951-2450 | | |
| 2 / 6 | 2 / 6 | 2451-2950 | | |
| | | Striker bottom / Sec striker bottom | | 1 |
| | | SRW | | (see table) [1] |
| - / 2 | - / 2 | 576- 950 [2] | | |
| - / 3 | - / 3 | 951-1450 | | |
| - / 4 | - / 4 | 1451-1950 | | |
| 1 / 5 | 1 / 5 | 1951-2450 | | |
| 2 / 6 | 2 / 6 | 2451-2950 | | |

Horizontal-pivot
UNITAS 16

Horizontal-pivot
UNITAS 16

Vertical rod
Cover rail
Four-sided locking
system

Cover rail
Vertical rod

Corner drive
Four-sided locking
system

Extension 500
Corner drive

VHH gear, 30BS
backset 30 mm

Extension 500

Extension piece 90°

Striker
slit ventilation

DIRIGENT handle
Countersunk screw M 5

Striker bottom
Sec striker bottom

[1] See table on page 304

[2] Sec strikers only for burglar-inhibiting version.

Note: Hardware components illustrated in grey are contained in the respective basic hardware set.



Hardware requirements depending on sash size

| Quantity | | Description | PU | Order no. |
|------------------------|-------|--|-----------|-----------------|
| Central locking system | | | | |
| Standard | | Four-sided | | |
| 1 | 1 | UNITAS 16 basic hardware set [1] | 1 | (see table) [1] |
| 1 | 1 | VHH gear, 30BS | | |
| | | SRW | Faceplate | LC |
| | | 576- 950 | 630 | 1 |
| | | 951-1450 | 1130 | 1 |
| | | 1451-1950 | 1630 | 2 |
| | | 1951-2450 | 2130 | 3 |
| | | 2451-2950 | 1630 | 2 |
| 1 | 1 | Extension | | |
| | | SRW | Faceplate | LC |
| | | 576- 950 | 630 | 1 |
| | | 951-1450 | 1130 | 1 |
| | | 1451-1950 | 1630 | 2 |
| | | 1951-2450 | 2130 | 3 |
| | | 2451-2950 | 1630 | 2 |
| 4 | 4 | Extension 500 | | |
| | | SRW | Faceplate | LC |
| | | 2451-2950 | 500 | 1 |
| 1 | 2 | Vertical rod | | |
| | | SRH | Faceplate | |
| | | 700- 914 | 630 | 1 |
| | | 915-1164 | 880 | 1 |
| | | 1165-1664 | 1380 | 1 |
| | | 1665-2164 | 1880 | 1 |
| 1 | 2 | Cover rail | | |
| | | SRH | Faceplate | |
| | | 700-1164 | 392 | 1 |
| | | 1165-1664 | 642 | 1 |
| | | 1665-2164 | 892 | 1 |
| | 1 | Corner drive top | 1 LC | 1 |
| | 1 | Corner drive bottom | 1 LC | 1 |
| | 1 | Lifting stop | | 1 |
| | | Striker top / Sec striker top | | 1 |
| | | Packer for striker top | | 1 |
| | | SRW | | (see table) [1] |
| - / 2 | - / 2 | 576- 950 [2] | | |
| - / 3 | - / 3 | 951-1450 | | |
| - / 4 | - / 4 | 1451-1950 | | |
| 1 / 5 | 1 / 5 | 1951-2450 | | |
| 2 / 6 | 2 / 6 | 2451-2950 | | |
| | | Striker bottom / Sec striker bottom | | 1 |
| | | SRW | | (see table) [1] |
| - / 2 | - / 2 | 576- 950 [2] | | |
| - / 3 | - / 3 | 951-1450 | | |
| - / 4 | - / 4 | 1451-1950 | | |
| 1 / 5 | 1 / 5 | 1951-2450 | | |
| 2 / 6 | 2 / 6 | 2451-2950 | | |

[1] See table on page 304 [2] Sec strikers only for burglar-inhibiting version.
Note: Hardware components illustrated in grey are contained in the respective basic hardware set.



Sec striker top
Striker top

Striker top

Extension

Extension 500

Extension piece
180°
Corner drive
Four-sided locking
system

Corner drive
Extension 500

Lifting stop

Hardware requirements depending on sash size

| Quantity | Description | PU | Order no. |
|------------------------|-------------|--|--------------------|
| Central locking system | | | |
| Standard | | | |
| 1 | 1 | UNITAS 16 basic hardware set [1] | 1 (see table) [1] |
| Four-sided | | | |
| 1 | 1 | VHH gear, 25BS | |
| | SRW | Faceplate | LC |
| | 576- 950 | 630 | 1 1 G-22343-25-0-1 |
| | 951-1450 | 1130 | 1 1 G-22344-25-0-1 |
| | 1451-1950 | 1630 | 2 1 G-22345-25-0-1 |
| | 1951-2450 | 2130 | 3 1 G-22346-25-0-1 |
| | 2451-2950 | 1630 | 2 1 G-22345-25-0-1 |
| 1 | 1 | Extension | |
| | SRW | Faceplate | LC |
| | 576- 950 | 630 | 1 6-34106-01-0-1 |
| | 951-1450 | 1130 | 1 1 6-34106-02-0-1 |
| | 1451-1950 | 1630 | 2 1 6-34106-03-0-1 |
| | 1951-2450 | 2130 | 3 1 6-34106-04-0-1 |
| | 2451-2950 | 1630 | 2 1 6-34106-03-0-1 |
| 4 | 4 | Extension 500 | |
| | SRW | Faceplate | LC |
| | 2451-2950 | 500 | 1 1 6-32142-00-0-1 |
| 1 | 2 | Vertical rod | |
| | SRH | Faceplate | |
| | 700- 914 | 630 | 1 9-32821-01-0-1 |
| | 915-1164 | 880 | 1 9-32821-02-0-1 |
| | 1165-1664 | 1380 | 1 9-32821-03-0-1 |
| | 1665-2164 | 1880 | 1 9-32821-04-0-1 |
| 1 | 2 | Cover rail | |
| | SRH | Faceplate | |
| | 700-1164 | 392 | 1 9-32819-02-0-1 |
| | 1165-1664 | 642 | 1 9-32819-03-0-1 |
| | 1665-2164 | 892 | 1 9-32819-04-0-1 |
| | 1 | Corner drive top - 1 LC | 1 6-35273-00-0-1 |
| | 1 | Corner drive bottom - 1 LC | 1 6-32104-00-0-1 |
| | 1 | Lifting stop | 1 9-33432-00-0-1 |
| | 1 | Striker top / Sec striker top | 1 (see table) [1] |
| | 1 | Packer for striker top | 1 (see table) [1] |
| | SRW | | |
| - / 2 | - / 2 | 576- 950 [2] | |
| - / 3 | - / 3 | 951-1450 | |
| - / 4 | - / 4 | 1451-1950 | |
| 1 / 5 | 1 / 5 | 1951-2450 | |
| 2 / 6 | 2 / 6 | 2451-2950 | |
| | 1 | Striker bottom / Sec striker bottom | 1 (see table) [1] |
| | SRW | | |
| - / 2 | - / 2 | 576- 950 [2] | |
| - / 3 | - / 3 | 951-1450 | |
| - / 4 | - / 4 | 1451-1950 | |
| 1 / 5 | 1 / 5 | 1951-2450 | |
| 2 / 6 | 2 / 6 | 2451-2950 | |

Horizontal-pivot
UNITAS 16

Horizontal-pivot
UNITAS 16

Vertical rod
Cover rail
Four-sided locking
system

Cover rail
Vertical rod

Corner drive
Four-sided locking
system

Extension 500
Corner drive

VHH gear, 25BS
backset 25 mm

Extension 500

Extension piece 90°

Striker
slit ventilation

DIRIGENT handle
Countersunk screw M 5

Striker bottom
Sec striker bottom

[1] See table on page 304

[2] Sec strikers only for burglar-inhibiting version.

Note: Hardware components illustrated in grey are contained in the respective basic hardware set.



Hardware requirements depending on sash size

| Quantity | | Description | PU | Order no. |
|------------------------|-------|--|-----------|-----------------|
| Central locking system | | | | |
| Standard | | Four-sided | | |
| 1 | 1 | UNITAS 16 basic hardware set [1] | 1 | (see table) [1] |
| 1 | 1 | VHH gear, 25BS | | |
| | | SRW | Faceplate | LC |
| | | 576- 950 | 630 | 1 |
| | | 951-1450 | 1130 | 1 |
| | | 1451-1950 | 1630 | 2 |
| | | 1951-2450 | 2130 | 3 |
| | | 2451-2950 | 1630 | 2 |
| 1 | 1 | Extension | | |
| | | SRW | Faceplate | LC |
| | | 576- 950 | 630 | 1 |
| | | 951-1450 | 1130 | 1 |
| | | 1451-1950 | 1630 | 2 |
| | | 1951-2450 | 2130 | 3 |
| | | 2451-2950 | 1630 | 2 |
| 4 | 4 | Extension 500 | | |
| | | SRW | Faceplate | LC |
| | | 2451-2950 | 500 | 1 |
| 1 | 2 | Vertical rod | | |
| | | SRH | Faceplate | |
| | | 700- 914 | 630 | 1 |
| | | 915-1164 | 880 | 1 |
| | | 1165-1664 | 1380 | 1 |
| | | 1665-2164 | 1880 | 1 |
| 1 | 2 | Cover rail | | |
| | | SRH | Faceplate | |
| | | 700-1164 | 392 | 1 |
| | | 1165-1664 | 642 | 1 |
| | | 1665-2164 | 892 | 1 |
| | 1 | Corner drive top | 1 LC | 1 |
| | 1 | Corner drive bottom | 1 LC | 1 |
| | 1 | Lifting stop | | 1 |
| | | Striker top / Sec striker top | | 1 |
| | | Packer for striker top | | 1 |
| | | SRW | | (see table) [1] |
| - / 2 | - / 2 | 576- 950 [2] | | |
| - / 3 | - / 3 | 951-1450 | | |
| - / 4 | - / 4 | 1451-1950 | | |
| 1 / 5 | 1 / 5 | 1951-2450 | | |
| 2 / 6 | 2 / 6 | 2451-2950 | | |
| | | Striker bottom / Sec striker bottom | | 1 |
| | | SRW | | (see table) [1] |
| - / 2 | - / 2 | 576- 950 [2] | | |
| - / 3 | - / 3 | 951-1450 | | |
| - / 4 | - / 4 | 1451-1950 | | |
| 1 / 5 | 1 / 5 | 1951-2450 | | |
| 2 / 6 | 2 / 6 | 2451-2950 | | |

[1] See table on page 304 [2] Sec strikers only for burglar-inhibiting version.
Note: Hardware components illustrated in grey are contained in the respective basic hardware set.



Sec striker top
Striker top

Striker top

Extension

Extension 500

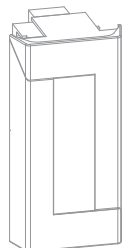
Extension piece
180°
Corner drive
Four-sided locking
system

Corner drive
Extension 500

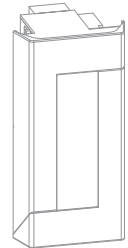
Lifting stop

Hardware requirements depending on sash size

| Quantity | | Description | PU | Order no. |
|------------------------|-------|--|-----------|-----------------|
| Central locking system | | | | |
| Standard | | Four-sided | | |
| 1 | 1 | UNITAS 16 basic hardware set [1] | 1 | (see table) [1] |
| HDM gear, 25BS | | | | |
| | | SRW | Faceplate | LC |
| | | 576- 950 | 630 | 1 |
| | | 951-1450 | 1130 | 1 |
| | | 1451-1950 | 1630 | 2 |
| | | 1951-2450 | 2130 | 3 |
| | | 2451-2950 | 1630 | 2 |
| 1 | 1 | Extension | | |
| | | SRW | Faceplate | LC |
| | | 576- 950 | 630 | 1 |
| | | 951-1450 | 1130 | 1 |
| | | 1451-1950 | 1630 | 2 |
| | | 1951-2450 | 2130 | 3 |
| | | 2451-2950 | 1630 | 2 |
| 4 | 4 | Extension 500 | | |
| | | SRW | Faceplate | LC |
| | | 2451-2950 | 500 | 1 |
| 1 | 2 | Vertical rod | | |
| | | SRH | Faceplate | |
| | | 700- 914 | 630 | 1 |
| | | 915-1164 | 880 | 1 |
| | | 1165-1664 | 1380 | 1 |
| | | 1665-2164 | 1880 | 1 |
| 1 | 2 | Cover rail | | |
| | | SRH | Faceplate | |
| | | 700-1164 | 392 | 1 |
| | | 1165-1664 | 642 | 1 |
| | | 1665-2164 | 892 | 1 |
| | 1 | Corner drive top | - 1 LC | 1 |
| | 1 | Corner drive bottom | - 1 LC | 1 |
| | 1 | Lifting stop | | 1 |
| | | Striker top / Sec striker top | | 1 |
| | | Packer for striker top | | 1 |
| | | SRW | | (see table) [1] |
| - / 2 | - / 2 | 576- 950 [2] | | |
| - / 3 | - / 3 | 951-1450 | | |
| - / 4 | - / 4 | 1451-1950 | | |
| 1 / 5 | 1 / 5 | 1951-2450 | | |
| 2 / 6 | 2 / 6 | 2451-2950 | | |
| | | Striker bottom / Sec striker bottom | | 1 |
| | | SRW | | (see table) [1] |
| - / 2 | - / 2 | 576- 950 [2] | | |
| - / 3 | - / 3 | 951-1450 | | |
| - / 4 | - / 4 | 1451-1950 | | |
| 1 / 5 | 1 / 5 | 1951-2450 | | |
| 2 / 6 | 2 / 6 | 2451-2950 | | |



Horizontal-pivot
UNITAS 16



Horizontal-pivot
UNITAS 16

Cover rail
Vertical rod

Vertical rod
Cover rail
Four-sided locking
system

Extension 500
Corner drive

Corner drive
Four-sided locking
system

HDM gear, 25BS
backset 25 mm

Extension 500

Extension piece 90°

Striker
slit ventilation

DIRIGENT handle
Countersunk screw M 5

Striker bottom
Sec striker bottom

[1] See table on page 304

[2] Sec strikers only for burglar-inhibiting version.

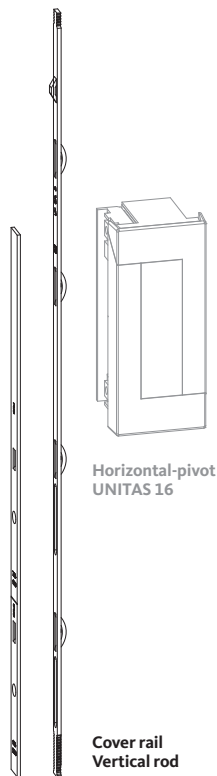
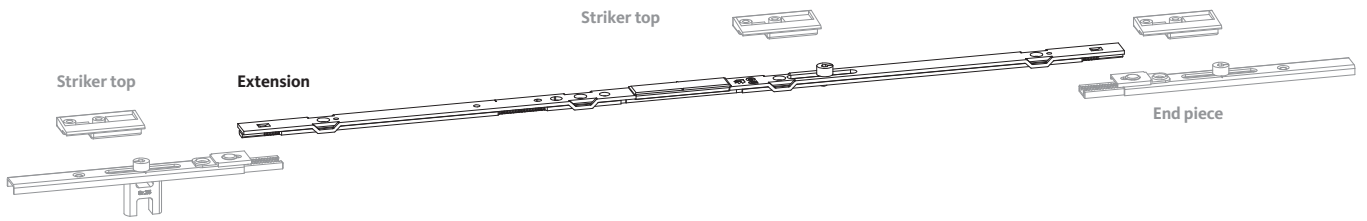
Note: Hardware components illustrated in grey are contained in the respective basic hardware set.



Hardware requirements depending on sash size

| Quantity | | Description | PU | Order no. |
|------------------------|-------|--|-----------|-----------------|
| Central locking system | | | | |
| Standard | | Four-sided | | |
| 1 | 1 | UNITAS 16 basic hardware set [1] | 1 | (see table) [1] |
| HDM gear, 25BS | | | | |
| | | SRW | Faceplate | LC |
| | | 576- 950 | 630 | 1 |
| | | 951-1450 | 1130 | 1 |
| | | 1451-1950 | 1630 | 2 |
| | | 1951-2450 | 2130 | 3 |
| | | 2451-2950 | 1630 | 2 |
| 1 | 1 | Extension | Faceplate | LC |
| | | 576- 950 | 630 | 1 |
| | | 951-1450 | 1130 | 1 |
| | | 1451-1950 | 1630 | 2 |
| | | 1951-2450 | 2130 | 3 |
| | | 2451-2950 | 1630 | 2 |
| 4 | 4 | Extension 500 | Faceplate | LC |
| | | 2451-2950 | 500 | 1 |
| 1 | 2 | Vertical rod | Faceplate | |
| | | SRH | | |
| | | 700- 914 | 630 | 1 |
| | | 915-1164 | 880 | 1 |
| | | 1165-1664 | 1380 | 1 |
| | | 1665-2164 | 1880 | 1 |
| 1 | 2 | Cover rail | Faceplate | |
| | | SRH | | |
| | | 700-1164 | 392 | 1 |
| | | 1165-1664 | 642 | 1 |
| | | 1665-2164 | 892 | 1 |
| | 1 | Corner drive top | LC | 1 |
| | 1 | Corner drive bottom | LC | 1 |
| | 1 | Lifting stop | | 1 |
| | | Striker top / Sec striker top | | 1 |
| | | Packer for striker top | | 1 |
| | | SRW | | (see table) [1] |
| - / 2 | - / 2 | 576- 950 [2] | | |
| - / 3 | - / 3 | 951-1450 | | |
| - / 4 | - / 4 | 1451-1950 | | |
| 1 / 5 | 1 / 5 | 1951-2450 | | |
| 2 / 6 | 2 / 6 | 2451-2950 | | |
| | | Striker bottom / Sec striker bottom | | 1 |
| | | SRW | | (see table) [1] |
| - / 2 | - / 2 | 576- 950 [2] | | |
| - / 3 | - / 3 | 951-1450 | | |
| - / 4 | - / 4 | 1451-1950 | | |
| 1 / 5 | 1 / 5 | 1951-2450 | | |
| 2 / 6 | 2 / 6 | 2451-2950 | | |

[1] See table on page 304 [2] Sec strikers only for burglar-inhibiting version.
Note: Hardware components illustrated in grey are contained in the respective basic hardware set.

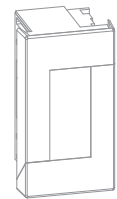


Hardware requirements depending on sash size

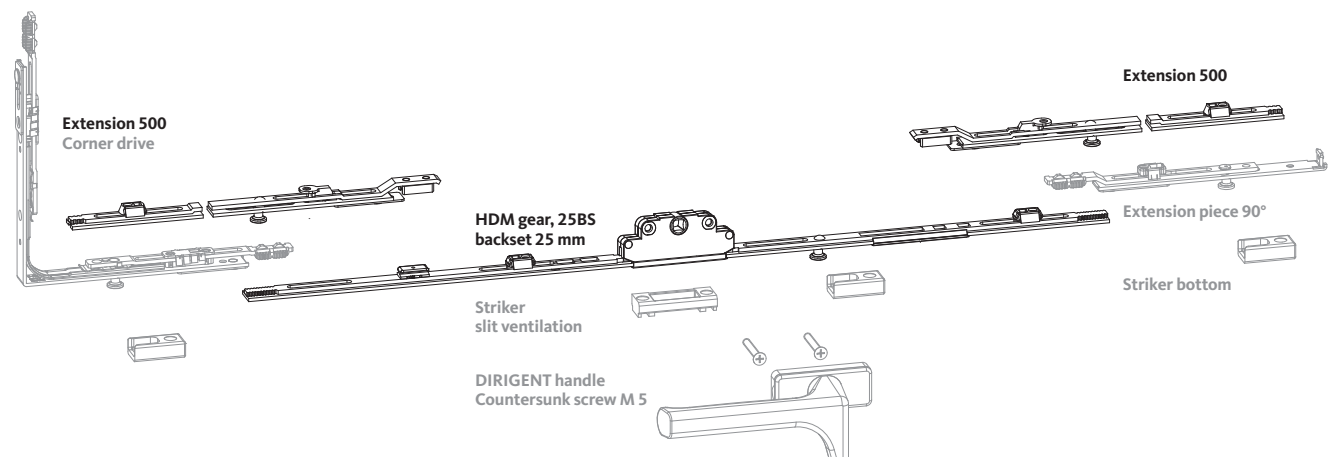
| Quantity | Description | PU | Order no. |
|-------------------------------|---|-----------|-------------------|
| Central locking system | | | |
| 1 | UNITAS 16 basic hardware set [1] | 1 | (see table) [1] |
| 1 | HDM gear, 25BS | | |
| | SRW | Faceplate | LC |
| | 576- 950 | 630 | 1 6-34142-01-0-1 |
| | 951-1450 | 1130 | 1 6-34142-02-0-1 |
| | 1451-1950 | 1630 | 2 6-34142-03-0-1 |
| | 1951-2450 | 2130 | 3 6-34142-04-0-1 |
| | 2451-2950 | 1630 | 2 6-34142-03-0-1 |
| 1 | Extension | | |
| | SRW | Faceplate | LC |
| | 576- 950 | 630 | 1 6-25460-01-0-1 |
| | 951-1450 | 1130 | 1 6-25460-02-0-1 |
| | 1451-1950 | 1630 | 1 6-25460-03-0-1 |
| | 1951-2450 | 2130 | 2 6-25460-04-0-1 |
| | 2451-2950 | 2630 | 2 6-25460-05-0-1 |
| 2 | Extension 500 | | |
| | SRW | Faceplate | LC |
| | 2451-2950 | 500 | 1 6-32142-00-0-1 |
| 1 | Vertical rod | | |
| | SRH | Faceplate | |
| | 700- 950 | 630 | 1 9-32821-01-0-1 |
| | 951-1200 | 880 | 1 9-32821-02-0-1 |
| | 1201-1700 | 1380 | 1 9-32821-03-0-1 |
| | 1701-2200 | 1880 | 1 9-32821-04-0-1 |
| 1 | Cover rail | | |
| | SRH | Faceplate | |
| | 700-1200 | 392 | 1 9-32819-02-0-1 |
| | 1201-1700 | 642 | 1 9-32819-03-0-1 |
| | 1701-2200 | 892 | 1 9-32819-04-0-1 |
| | Striker top | | 1 (see table) [1] |
| | SRW | | |
| 1 | 1951-2950 | | |
| | Striker bottom | | 1 (see table) [1] |
| | SRW | | |
| 1 | 1951-2450 | | |
| 2 | 2451-2950 | | |

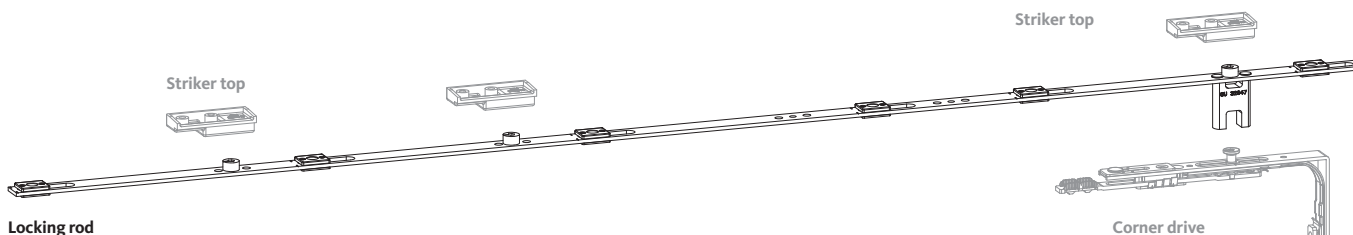
[1] See table on page 304

Note: Hardware components illustrated in grey are contained in the respective basic hardware set.



Horizontal-pivot
UNITAS 16





Hardware requirements depending on sash size

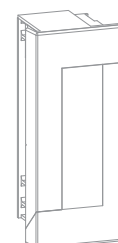
| Quantity | Description | PU | Order no. |
|---------------------------------|---|-----------|-------------------|
| Central locking system Standard | | | |
| 1 | UNITAS 16 basic hardware set [1] | 1 | (see table) [1] |
| 1 | HDM gear, 25BS | | |
| | SRW | Faceplate | LC |
| | 576- 950 | 630 | 1 6-34142-01-0-1 |
| | 951-1450 | 1130 | 1 6-34142-02-0-1 |
| | 1451-1950 | 1630 | 2 6-34142-03-0-1 |
| | 1951-2450 | 2130 | 3 6-34142-04-0-1 |
| | 2451-2950 | 1630 | 2 6-34142-03-0-1 |
| 1 | Locking rod | | |
| | SRW | Faceplate | LC |
| | 576- 950 | 846 | 2 6-25540-01-0-1 |
| | 951-1450 | 1446 | 3 6-25540-02-0-1 |
| | 1451-1950 | 1846 | 3 6-25540-03-0-1 |
| | 1951-2450 | 2246 | 3 6-25540-04-0-1 |
| | 2451-2950 | 2846 | 4 6-25540-05-0-1 |
| 2 | Extension 500 | | |
| | SRW | Faceplate | LC |
| | 2451-2950 | 500 | 1 6-32142-00-0-1 |
| 1 | Vertical rod | | |
| | SRH | Faceplate | |
| | 700- 950 | 630 | 1 9-45991-01-0-1 |
| | 951-1200 | 880 | 1 9-45991-02-0-1 |
| | 1201-1700 | 1380 | 1 9-45991-03-0-1 |
| | 1701-2200 | 1880 | 1 9-45991-04-0-1 |
| 1 | Cover rail | | |
| | SRH | Faceplate | |
| | 700-1200 | 392 | 1 9-32819-02-0-1 |
| | 1201-1700 | 642 | 1 9-32819-03-0-1 |
| | 1701-2200 | 892 | 1 9-32819-04-0-1 |
| 1 | Striker top | | |
| | SRW | | 1 (see table) [1] |
| 1 | Striker bottom | | |
| | SRW | | 1 (see table) [1] |
| 1 | 1951-2450 | | |
| 2 | 2451-2950 | | |

[1] See table on page 304

Note: Hardware components illustrated in grey are contained in the respective basic hardware set.



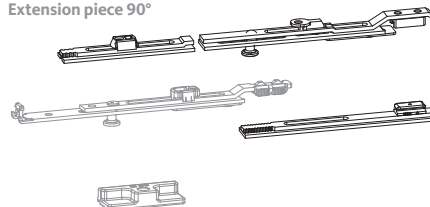
Horizontal-pivot
UNITAS 16



Horizontal-pivot
UNITAS 16
Cover rail

Vertical rod
Cover rail

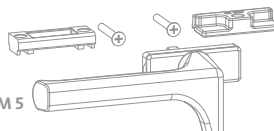
Extension 500
Extension piece 90°



HDM gear, 25BS
backset 25 mm

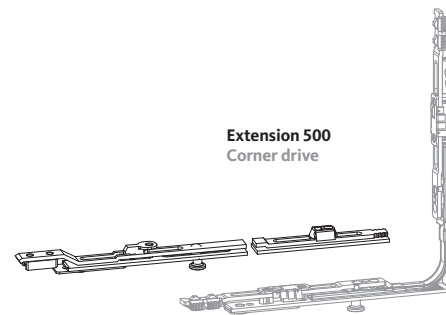
Striker
slit ventilation

DIRIGENT handle
Countersunk screw M 5



Extension 500
Corner drive

Striker bottom





Introduction, product information

| | |
|--|-----|
| Introduction..... | 315 |
| Product information..... | 316 |
| Hardware versions..... | 316 |
| VENTUS F 200 / VENTUS F 300 – controlled with hand lever or crank..... | 317 |
| VENTUS F 200 – controlled with ELTRAL S 230 or ELTRAL 300 E1 electric drive..... | 317 |
| VENTUS F 300 – controlled with ELTRAL S 230 or ELTRAL 300 E1 electric drive..... | 317 |
| EU EURO-SOLID safety stay..... | 317 |
| Ventilation groups with electric drives..... | 318 |
| Application range depending on center of gravity of sash – operation with hand lever, vertical or corner gear..... | 319 |
| Installation dimensions..... | 320 |

Optional parts

| | |
|--|-----|
| Optional parts..... | 322 |
| VENTUS F 200 fanlight opener..... | 322 |
| VENTUS F 300 fanlight opener..... | 322 |
| T-angle set for VENTUS F 200..... | 322 |
| T-angle set for VENTUS F 300..... | 322 |
| Telescopic spindle drive..... | 323 |
| UNI-JET locking system in the sash rebate..... | 323 |
| Vertical and corner gear..... | 323 |
| Transom-mullion transmission..... | 324 |

Hardware requirements, sets

VENTUS F 200, standard version

| | |
|--|-----|
| Opener with hand lever..... | 326 |
| Opener with hand lever and transmissions..... | 327 |
| Opener with vertical gear..... | 328 |
| Opener with corner gear..... | 329 |
| Opener with ELTRAL on side..... | 330 |
| Opener with ELTRAL at top..... | 331 |
| Opener with hand lever and additional vertical locking device..... | 332 |
| Arched window for pattern 1..... | 333 |
| Segmental arched windows for pattern 1..... | 333 |
| Arched windows for patterns 2n..... | 334 |
| Segmental arched windows for pattern 2n..... | 334 |
| Pitched window with additional locking device for pattern 1..... | 335 |
| Flexible transmission, special versions..... | 336 |
| Standard version – minimum dimensions..... | 337 |
| Made to measure – minimum dimensions..... | 338 |
| Individual and total rod length – hand lever..... | 339 |
| Horizontal rod length – vertical and corner gear, ELTRAL on side and at top..... | 340 |

VENTUS F 200 top-hung, outward-opening sash, standard version

| | |
|---------------------------------|-----|
| Opener with hand lever..... | 341 |
| Opener with vertical gear..... | 342 |
| Opener with corner gear..... | 343 |
| Opener with ELTRAL on side..... | 344 |
| Opener with ELTRAL at top..... | 345 |

VENTUS F 300, standard version

| | |
|--|-----|
| Opener with hand lever..... | 347 |
| Opener with hand lever and transmission..... | 347 |
| Opener with vertical gear..... | 348 |
| Opener with corner gear..... | 349 |
| Opener with ELTRAL on side..... | 350 |
| Opener with ELTRAL at top..... | 351 |
| Opener with hand lever and additional lock on the side..... | 352 |
| Pitched window with additional lock at the top for pattern 1..... | 353 |
| Special versions, standard version – minimum dimensions..... | 354 |
| Made to measure – minimum dimensions..... | 355 |
| Individual and total rod length – hand lever..... | 356 |
| Horizontal rod length – vertical and corner gear, ELTRAL on side and at top..... | 357 |

Electric drives, chain drives and spindle drives

Electric drives

| | |
|--|-----|
| ELTRAL S 230 L, ELTRAL S 230 E, ELTRAL 300 E1..... | 358 |
| ELTRAL S 24 L, ELTRAL 300/24..... | 359 |

Chain drives

| | |
|--|-----|
| ELTRAL KS 30/40 chain drive – 230 V..... | 360 |
| ELTRAL KS 30/40 chain drive – 24 V..... | 361 |
| ELTRAL K30 chain drive – 230 V..... | 363 |
| ELTRAL VAN locking drive – 24 V..... | 365 |
| ELTRAL K25 chain drive – 230 V..... | 366 |
| ELTRAL K60 chain drive – 230 V..... | 367 |

Spindle drives

| | |
|--------------------------------------|-----|
| ELTRAL S80 / 230V spindle drive..... | 369 |
|--------------------------------------|-----|

Accessories for drives

| | |
|-----------------------------------|-----|
| Accessories for 230 V drives..... | 370 |
| Accessories for 24 V drives..... | 371 |

Drilling jigs and auxiliary tools

| | |
|---|-----|
| Drilling jigs and auxiliary tools – VENTUS F 200..... | 372 |
| Drilling jigs – VENTUS F 300..... | 372 |
| Drilling jigs – vertical and corner gears..... | 372 |
| Testing cable and portable test set for ELTRAL electric drives..... | 372 |

Miscellaneous fittings

Introduction, product information

| | |
|--------------------------|-----|
| Introduction..... | 373 |
| Product information..... | 374 |

Hardware requirements

GU EURO-SOLID safty stay

| | |
|---|-----|
| GU EURO-SOLID safety stays without accessories..... | 375 |
| Profile-related accessories set..... | 375 |
| Maximum sash weights..... | 375 |

Rebate stays, PERPLEXfanlight catch

| | |
|---|-----|
| Rebate stays, PERPLEX fanlight catch..... | 376 |
|---|-----|



Contents

The GU order catalogue contains face-fixed fanlight openers for PVC windows, vertical gears, corner gears, electric drives and accessories.

The following information will make you familiar with the catalogue structure which is conceived in a way to facilitate your daily work.

Catalogue structure

The GU order catalogue is structured as follows:

- Optional parts
- Hardware sets

The catalogue is structured to meet the requirements of the customers.

Optional parts

Optional parts for face-fixed fanlight openers are presented on special pages and can be viewed at a glance. All supplements of standard hardware versions are clearly arranged.

Hardware sets

Hardware requirements depending on sash width and sash configuration

The hardware illustrations are accompanied by product tables helping to determine hardware requirements depending on sash widths.

Parts for supplementing standard hardware versions are clearly presented and can be selected easily.

Order numbers

The order number gives information about

- the product,
- its size,
- its application, e.g. DIN lh or DIN rh
- its colour.

Example

Order number
6-24841-50-0-1

6-24841- - - order number
- -50- - size
- - -L- left-side mounting
- - -R- right-side mounting
- - -0- non-handed
- - - -1T nickel-silver colour
- - - -1 F 1/EV 1, natural (silver) colour,
ferGUard*silver
- - - -2 F 2/EV 2, nickel silver / champaign colour
- - - -3 F 3, brass colour or gold colour
- - - -4 UC 3, medium bronze colour or medium brown
- - - -A F 4, bronze colour
- - - -C titanium colour
- - - -5 UC 5, dark bronze colour or dark brown
(RAL 8022)
- - - -6 onyx-matt or black (RAL 9005)
- - - -7 white (RAL 9016)
- - - -8 stainless steel or stainless steel colour
- - - -* various finishes available

If the last digit of the order number is an asterisk
*

various colours are available which can be taken from the price list.

Prices

GU gross price list

The prices are listed by ascending order numbers.

Additional sales documents

Apart from the order catalogue, the following documents on fanlight openers are available:

- Brochures giving information about product features and benefits
- Direct mail from architectural hardware retailers
- Installation drawings with hardware installation instructions
- Operating and maintenance instructions



Application

Possible applications of face-fixed fanlight openers:

- One or several bottom-hung or top-hung sashes
- Grouped ventilation installations

Hardware versions

VENTUS F 200 fanlight opener

Slimline opener with horizontal stays for vertically or horizontally installed rectangular bottom hung sashes and pitched, arched or segmental arched windows. Vertical and horizontal rods covered by aluminium profile.

VENTUS F 300 fanlight opener

Slimline opener with horizontal stays for vertically or horizontally installed rectangular bottom hung sashes and pitched windows. Vertical and horizontal rods covered by aluminium profile.

Operation

Depending on sash width and weight:

- Hand lever
- hand lever and flexible transmission
- Vertical gear, articulated crank permanently mounted or removable
- Corner gear, articulated crank permanently mounted or removable
- Vertical or corner gear with transmissions
- ELTRAL S 230 E, ELTRAL S 230 L or ELTRAL 300 E 1 electric drives for individual or group control

Grouped ventilation installations

Grouped opening sashes are driven by ELTRAL electric drive. Additional individual control of the sashes is possible.

Special fanlight opener versions

Apart from the standard versions shown in this catalogue, manifold project-related solutions are possible. Prices on request.

Standard colours

EV 1 colour

- Aluminium components anodized in natural colour
- Other visible components silvery

UC 3 colour

- Aluminium components anodized medium bronze
- Other visible components medium brown

UC 5 colour

- Aluminium components anodized dark bronze
- Other visible components dark brown

White

- Aluminium components painted white (RAL 9016)
- Other components painted white (RAL 9016)

Further colours and finishes on request.

Materials, surface sealing ferGUard*silver

The hardware components are made of high-quality steel, zinc die cast and aluminium alloys.

Depending on the material, the hardware components are protected against corrosion with the ferGUard*silver surface sealing.

Abbreviations and ordering dimensions

| | |
|-------|---|
| B | total sash width |
| B-E | window sill to lower end of hand lever window sill to lower end of extended crank |
| D | axis of vertical rod to sash profile top |
| E-B | upper edge of sash (side of actuation) to window sill with pitched and segmental arched windows |
| E-E | upper edge of sash (side of actuation) to end of hand lever, upper edge of sash (side of actuation) to end of extended crank with pitched and segmental arched windows |
| FB | sash width |
| FBs | sash width with pitched windows |
| FH | sash height |
| FHF | sash height at position of sash bracket with pitched windows |
| O-B | upper edge of sash to window sill |
| O-End | upper edge of sash to lower end of hand lever, upper edge of sash to end of extended crank |
| Ö | opening width, retracting distance |
| r | radius |
| RLB | clear width of frame (bottom-hung outward-opening sash) |
| RLH | clear height of frame (bottom-hung outward-opening sash) |
| T | depth of reveal |
| U-B | lower edge of sash to sill, start of arch to sill with arched windows |
| U-E | lower edge of sash to lower end of hand lever, lower edge of sash to lower end of extended crank, start of arch to lower end of hand lever, start of arch to lower end of extended crank |
| Ü | protrusion of window sill |
| PU | packing unit |
| x | installation height for vertical and corner gears |
| y | sash backset with outward-opening windows |
| z | distance between individual sashes of multi-sash windows |

Product information of profile system manufacturers

The product guidelines of the profile manufacturers regarding construction, assembly, max. sash dimensions, max. sash weights and material qualities (e.g. linear expansion) are to be observed.



Product features

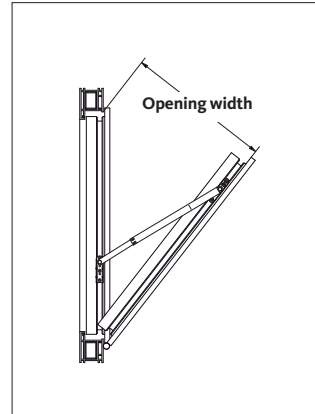
Face-fixed fanlight openers

- Cost-efficient control of several window elements with one hand lever or one drive
- Ideally suited for windows offering limited mounting space
- High gasket pressure thanks to automatically and reliably locked stays
- Individually dosed ventilation thanks to continuously variable and lockable opening angles
- The stay can be easily unhinged for convenient window cleaning

Electric drives

- Simple mounting, horizontal or vertical (left or right)
- Adjustable lift for various opening widths
- Electronic limit stop switch and overload cut-off

GU EURO-SOLID safety stay



For compliance with the RAL directives, it is absolutely necessary that, in addition to the standard fanlight hardware, bottom hung sashes be fitted with catch stays.

GU EURO-SOLID safety stays prevent damage that might arise from inappropriate attachment of the opening stays.

Installation drawing 0-43277

Range of applications

VENTUS F 200 / VENTUS F 300 – controlled with hand lever or crank

| Fanlight opener | Sash width | Sash height | Opening width | Sash weight | Lift | Required space | | Rod | Standard drawing |
|------------------|--------------|-------------------|--------------------|-------------|------------------|----------------|----|-----|------------------|
| | Dim SW mm | Dim SH min. mm | | | | mm | mm | | |
| VENTUS F 200 [2] | 400-3600 [1] | 300 | 200 [1] | 80 | 50 [1] | 20 | 20 | 8 | 0-43700-1 |
| | 400-3600 | 250 | 165 [3] | | 40 [3] | | | | |
| VENTUS F 300 [2] | 620-3600 | 350 | 300 [1] 220 [3] | 200 | 70 [1] 50 [3] | 26 | 26 | 10 | 0-42700-1 |

[1] Standard version [2] For overlap heights from 0 to 25 mm [3] Operation with special hand lever, refer to optional parts

VENTUS F 200 – controlled with ELTRAL S 230 or ELTRAL 300 E1 electric drive

| Drive | Sash width | Sash width | Sash height | Sash weight | Glass weight | Space for drive, mm | Number of stays |
|---------------|-------------------|---------------------------------|---------------------------------|-------------|--------------|---------------------|-----------------|
| | Dim SW max. mm | Dim SW min. mm side / top | Dim SH min. mm side / top | | | | |
| ELTRAL S 230 | 3600 | 400 / 620 | 300 / 300 | 80 | 40 [1] | 39 / 39 | 3 |
| ELTRAL 300 E1 | 3600 | - / 650 | - / 300 | 80 | 40 [1] | - / 57 | 3 |

[1] Depending on Dim. "S" and sash width

VENTUS F 300 – controlled with ELTRAL S 230 or ELTRAL 300 E1 electric drive

| Drive | Sash width | Sash width | Sash height | Sash weight | Glass weight | Space for drive, mm | Number of stays |
|---------------|-------------------|---------------------------------|---------------------------------|-------------|--------------|---------------------|-----------------|
| | Dim SW max. mm | Dim SW min. mm side / top | Dim SH min. mm side / top | | | | |
| ELTRAL S 230 | 3600 | 620 / 850 | 468 / 350 | 200 | 70 [1] | 39 / 39 | 3 |
| ELTRAL 300 E1 | 6000 | 605 / 850 | 400 / 350 | 200 | 70 [1] | 57 / 57 | 5 |

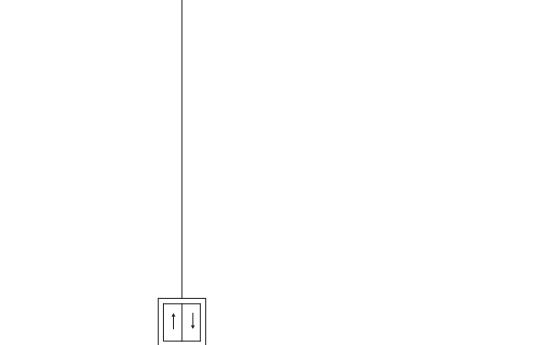
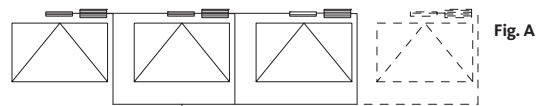
[1] Depending on Dim. "S" and sash width



Ventilation groups with electric drives

Ventilation groups controlled from 1 point

| Qty. | Description |
|-------|---|
| 1 - 8 | ELTRAL S 230 L, ELTRAL S 230 E electric drive ELTRAL 300 E1 electric drive |
| 1 | Rocker switch, 1-pole |



Electric drives

Electric drives 230 V



ELTRAL S 230 L
6-31730-00-0*
ELTRAL S 230 E
6-31732-00-0*

Electric drives 24 V



ELTRAL S 24 L
6-31734-00-0*



ELTRAL 300 E1
9-31020-01-0*



ELTRAL 300/24
9-31021-00-0*

Radio remote control



42 FH handheld radio
transmitter (fire-retardant)
9-42496-00-0-0



FAJ 6 UP radio actuator
9-42495-00-0-0
for installation in flush box
230 V AC 50Hz
Switching capacity:
250 V ~
700 VA

Note:

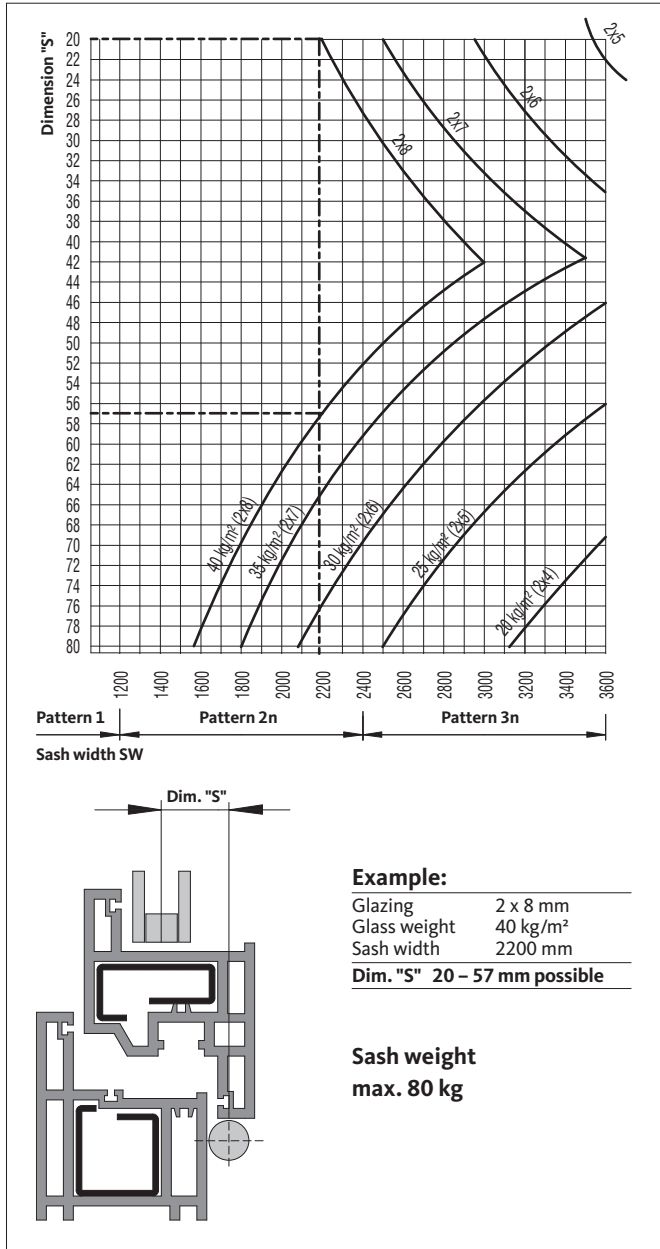
For technical data of ELTRAL electric drives
refer to pages 358 - 359.

Face-fixed fanlight openers

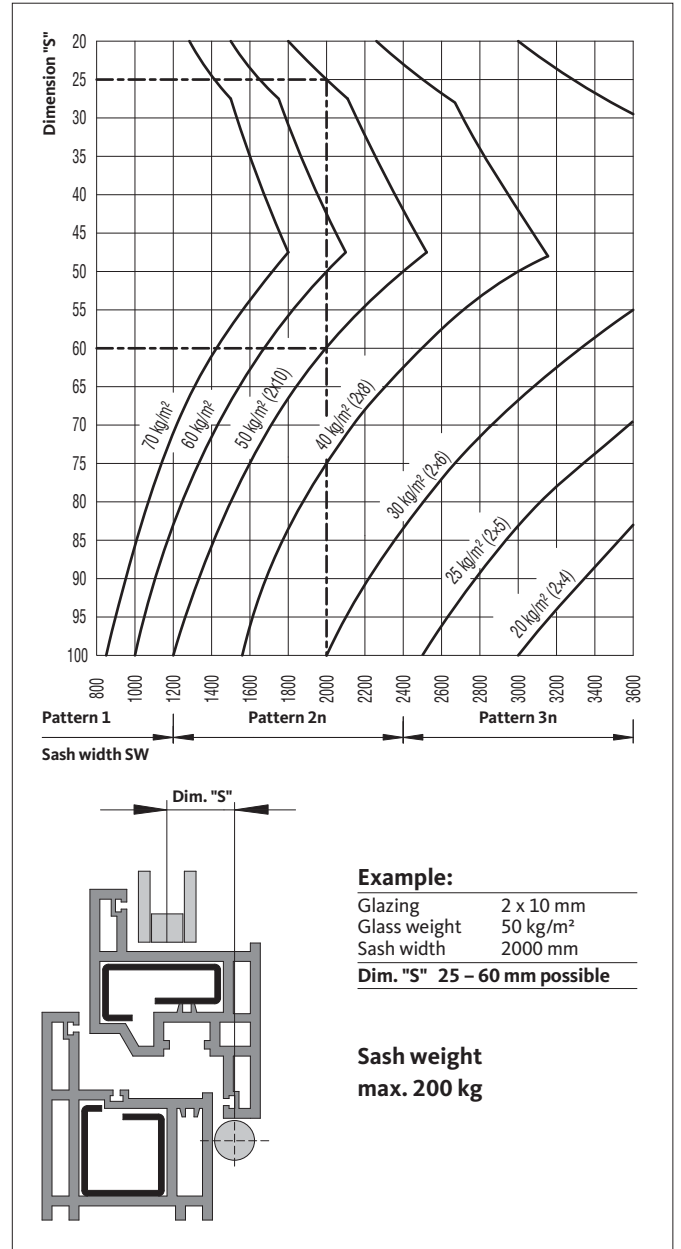
Product information



Application range depending on center of gravity of sash – operation with hand lever, vertical or corner gear



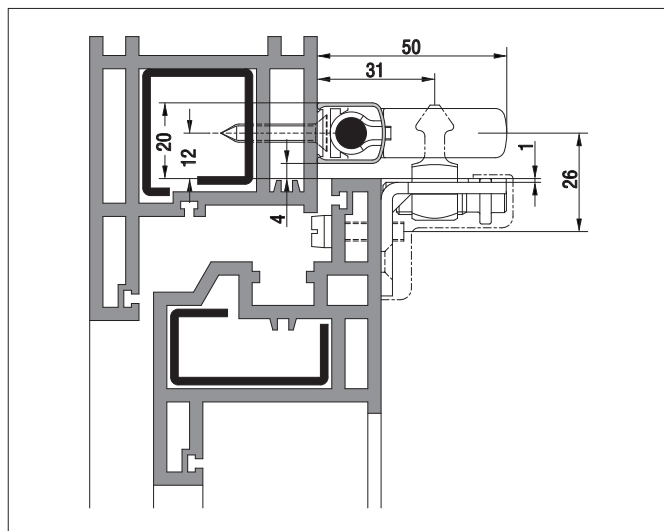
VENTUS F 200 fanlight opener



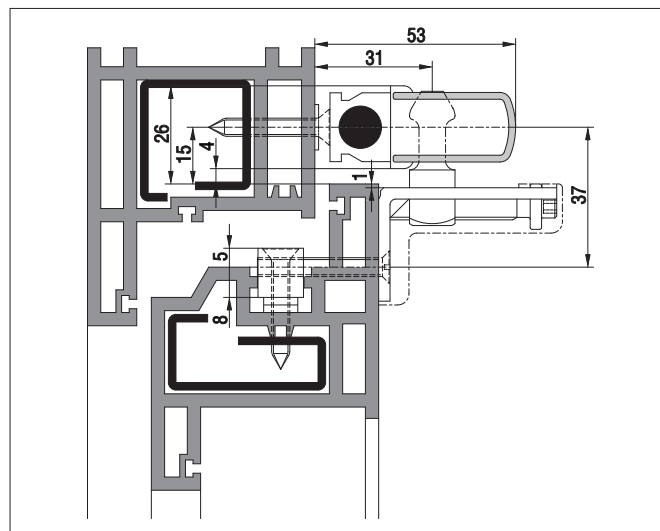
VENTUS F 300 fanlight opener



Installation dimensions



VENTUS F 200 fanlight opener with angular sash bracket



VENTUS F 300 fanlight opener

Installation drawings, GU security and rebate stays

| Profile systems | Sash profile | Frame profile | Installation drawing VENTUS F 200 | VENTUS F 300 | GU EURO-SOLID | Rebate stay |
|-----------------------|--------------|---------------|-----------------------------------|--------------|---------------|----------------------|
| Accord | 503002 | 503001 | 0-43700-1 | 0-42700-1 | | #28 / 5-21024-20-0-1 |
| Accord | 503602 | 503601 | 0-43700-1 | 0-42700-1 | | #28 / 5-21024-20-0-1 |
| Accord Contour 7.0 MD | A.FL 02 | A.RA 02 | 0-43700-1 | 0-43577-4 | | |
| Actual System 400 | P 1406 | P 1401 | 0-43700-1 | 0-42700-1 | 0-43277-3 | #28 / 5-21024-20-0-1 |
| Actual System 500 | P 1506 | P 1501 | 0-43700-1 | 0-43220-4 | | #28 / 5-21024-20-0-1 |
| Aluplast Ideal 2000 | 120022 | 120002 | 0-43700-1 | 0-42700-1 | 0-43277-3 | |
| Aluplast Ideal 4000 | 140025 | 140002 | 0-43700-1 | 0-42700-1 | 0-43277-3 | |
| Aluplast Ideal 5000 | 150025 | 150002 | 0-43700-1 | 0-42700-1 | 0-43277-3 | |
| Aluplast Signum 21 | 70 | 71 | 0-43700-1 | 0-42700-1 | 0-43277-3 | |
| Aluplast Signum 25 | 2539 | 2534 | 0-43700-1 | 0-43258-4 | | #28 / 5-21024-20-0-1 |
| Atrya (Tryba) E 58 | Z 74 | L 65 | 0-43700-1 | 0-42700-1 | 0-43277-3 | #28 / 5-21024-20-0-1 |
| Brüggmann AD | HP 152 | HP 102 | 0-43700-1 | 0-42700-1 | 0-43277-3 | #28 / 5-21024-20-0-1 |
| Brüggmann MD | HP 252 | HP 202 | 0-43700-1 | 0-42700-1 | 0-43277-3 | #28 / 5-21024-20-0-1 |
| Brüggmann-81 | HF 401 | HF 431 | 0-43700-1 | 0-42864-4 | 0-43277-3 | #25 / 5-21025-12-0-1 |
| Bug Serie Kompakt | 690 445 | 690 400 | 0-43700-1 | 0-43192-4 | | #28 / 5-21024-20-0-1 |
| Deceuninck Mondial | P 2021 | P 2000 | 0-43700-1 | 0-42700-1 | 0-43277-3 | |
| Egeprofil-Türkei | | | 0-43700-1 | 0-42700-1 | | #28 / 5-21024-20-0-1 |
| Gealan S 3000 | 3090 | 3008 | 0-43700-1 | 0-42992-4 | 0-43277-3 | |
| Gealan S 6000 | | | 0-43700-1 | 0-42700-1 | | |
| Gealan S 8000 | 8066 | 8008 | 0-43700-1 | 0-42700-1 | 0-43277-3 | |
| Grosfillex | P325 | P301 | 0-43700-1 | 0-42700-1 | F-43456-4 | |
| Helmitin A 60 | 4-60077 | 4-60067 | 0-43700-1 | 0-42700-1 | | #25 / 5-21025-11-0-1 |
| Helmitin KS | 4-60116 | 4-60111 | 0-43700-1 | 0-42700-1 | 0-43277-3 | |
| Helmitin MS | 4-60089 | 4-60055 | 0-43700-1 | 0-42700-1 | | #25 / 5-21025-13-0-1 |
| Hocoplast | 120-86 | 100-68 | 0-43700-1 | 0-42700-1 | 0-43277-3 | |
| Hocoplast H 100 | HK 2 | HK 1 | 0-43700-1 | 0-42700-1 | 0-43277-3 | #28 / 5-21024-20-0-1 |
| Illerplastic | HFL 1.201 | HST 1.120 | 0-43700-1 | 0-42700-1 | 0-43277-3 | |
| Inoutic AD | Z 10 | L 10 | 0-43700-1 | 0-42869-4 | 0-43277-3 | #28 / 5-21024-20-0-1 |
| Inoutic Kompakt | Z 1 | L 3 | 0-43700-1 | 0-42700-1 | | #28 / 5-21024-20-0-1 |
| Inoutic MD | ZM 1 | LM 10 | 0-43700-1 | 0-42700-1 | 0-43277-3 | #25 / 5-21025-12-0-1 |
| Internorm | IF | LS | 0-43700-1 | 0-42700-1 | 0-43277-3 | #25 / 5-21025-12-0-1 |
| Intertec (Greiner) | GF 1020 | GF 1001 | 0-43700-1 | 0-42700-1 | 0-43277-3 | |
| Intertec (Greiner) | GF 2020 | GR 2001 | 0-43700-1 | 0-42700-1 | 0-43277-3 | |
| Jansen | | | 0-43700-1 | 0-42700-1 | 0-43277-3 | |
| Knipping System 3000 | 3066 | 3022 | 0-43700-1 | 0-43207-4 | 0-43277-3 | #28 / 5-21024-20-0-1 |
| LB-Profil PAD | AZ 2-3 | AL 1-3 | 0-43700-1 | 0-43225-4 | 0-43449-4 | #28 / 5-21024-20-0-1 |
| LB-Profil PMD | MZ 2-3 | ML 2-3 | 0-43700-1 | 0-43406-4 | 0-43448-4 | #28 / 5-21024-20-0-1 |
| Plustec Softline | FR 50 V | BR 56 | 0-43700-1 | 0-42700-1 | 0-43277-3 | #28 / 5-21024-20-0-1 |
| Profilia PRO 600 | PF 076 | PF 090 | 0-43700-1 | 0-42700-1 | | #28 / 5-21024-20-0-1 |
| Profine Combidur AV | SP 3001 | SP 3000 | 0-43700-1 | 0-42700-1 | | #28 / 5-21024-20-0-1 |
| Profine Eurodur 3S | 1411 | 1401 | 0-43700-1 | 0-42762-4 | 0-43277-3 | #28 / 5-21024-20-0-1 |



Installation drawings, GU security and rebate stays

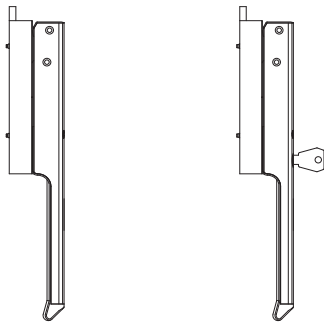
| Profile systems | Sash profile | Frame profile | Installation drawing | | Rebate stay | |
|-------------------------------|--------------|---------------|----------------------|--------------|---------------|----------------------|
| | | | VENTUS F 200 | VENTUS F 300 | GU EURO-SOLID | |
| Profine EuroFutur Elegance | 111 | 101 | 0-43700-1 | 0-42700-1 | 0-43277-3 | #28 / 5-21024-20-0-1 |
| Profine Gold | 1463 | 1461 | 0-43700-1 | 0-42903-4 | | #28 / 5-21024-20-0-1 |
| Profine KBE 58 | 318 | 306 | 0-43700-1 | 0-42872-4 | 0-43277-3 | #28 / 5-21024-20-0-1 |
| Profine KBE 58 | 114;113 | 100;102 | 0-43700-1 | 0-42700-1 | 0-43277-3 | |
| Profine KBE 70 | 375 | 370 | 0-43700-1 | 0-42700-1 | 0-43277-3 | #28 / 5-21024-20-0-1 |
| Profine Kömmerling 88+ | 6211 | 6201 | 0-43700-1 | 0-42700-1 | 0-43277-3 | #28 / 5-21024-20-0-1 |
| Profine Tritec | P 1472 | P 1320 | 0-43700-1 | 0-43303-4 | | #28 / 5-21024-20-0-1 |
| Profine Trocal 900 | 920100 | 910100 | 0-43700-1 | 0-42700-1 | 0-43277-3 | #28 / 5-21024-20-0-1 |
| Profine Trocal Confort | 120400 | 111000 | 0-43700-1 | 0-42700-1 | | #28 / 5-21024-20-0-1 |
| Profine Trocal Innonova 2000 | 520100 | 510100 | 0-43700-1 | 0-42700-1 | 0-43277-3 | #28 / 5-21024-20-0-1 |
| Profine Trocal Innonova 70 AD | 620600 | 610100 | 0-43700-1 | 0-42700-1 | 0-43277-3 | #28 / 5-21024-20-0-1 |
| Profine Trocal Innonova 70 MD | 520600 | 510300 | 0-43700-1 | 0-42700-1 | 0-43277-3 | #28 / 5-21024-20-0-1 |
| Pural | P 005 | P 010 | 0-43700-1 | 0-42700-1 | | #28 / 5-21024-20-0-1 |
| Pural | P 005 | P 002 | 0-43700-1 | 0-42700-1 | | #28 / 5-21024-20-0-1 |
| Reckendrees | | | 0-43700-1 | 0-42700-1 | 0-43277-3 | |
| Rehau S 702 | 542 100 | 608 052 | 0-43700-1 | 0-42865-4 | 0-43277-3 | #25 / 5-21025-12-0-1 |
| Rehau S 711 | 551 020 | 551 150 | 0-43700-1 | 0-42700-1 | | |
| Rehau S 730 | 541 010 | 541 060 | 0-43700-1 | 0-43011-4 | 0-43558-4 | |
| Rehau S 796 | A553010 | A553000 | 0-43700-1 | 0-43455-4 | | |
| Rekord Quadro | | | 0-43700-1 | 0-42700-1 | 0-43277-3 | |
| Roplasto 6001 Plus S-AD | 610202 | 619100 | 0-43700-1 | 0-42866-4 | | #28 / 5-21024-20-0-1 |
| Roplasto 6001 Plus S-AD | 641300 | 619003 | 0-43700-1 | 0-42700-1 | 0-43277-3 | |
| Roplasto 6001 Plus S-MD | 641300 | 611400 | 0-43700-1 | 0-42700-1 | | #28 / 5-21024-20-0-1 |
| Salamander Design 2D | 211 025 | 210 020 | 0-43700-1 | 0-42700-1 | 0-43277-3 | #28 / 5-21024-20-0-1 |
| Salamander Design MD | 111 026 | 110 036 | 0-43700-1 | 0-42700-1 | 0-43277-3 | #28 / 5-21024-20-0-1 |
| Salamander Universal | 201 020 | 200 030 | 0-43700-1 | 0-42700-1 | 0-43277-3 | #28 / 5-21024-20-0-1 |
| Salamander Universal | 201 020 | 200 020 | 0-43700-1 | 0-42867-4 | 0-43277-3 | #28 / 5-21024-20-0-1 |
| Schock Thermassiv | FE | BE | 0-43700-1 | 0-42700-1 | 0-43277-3 | |
| Schüco AS | 700101 | 701301 | 0-43700-1 | 0-42700-1 | 0-43277-3 | #25 / 5-21025-13-0-1 |
| Schüco Corona AS 60 | 8105 | 8101 | 0-43700-1 | 0-42700-1 | 0-43277-3 | |
| Schüco MF | 717800 | 171600 | 0-43700-1 | 0-42700-1 | 0-43277-3 | |
| Semperdur 6001 | 6113 | 6114 | 0-43700-1 | 0-42700-1 | | #28 / 5-21024-20-0-1 |
| Soprofen Serie T 62 | BS 100 | NS 100 | 0-43700-1 | 0-42700-1 | 0-43277-3 | #28 / 5-21024-20-0-1 |
| Stöckel Twinstep | 1211 | 1111 | 0-43700-1 | 0-42700-1 | | #28 / 5-21024-20-0-1 |
| Thermopur | P 2 | P 1 | 0-43700-1 | 0-42700-1 | | #28 / 5-21024-20-0-1 |
| Veka Alphaline 90 MD | 103312 | 101236 | 0-43700-1 | 0-42700-1 | 0-43277-3 | #28 / 5-21024-20-0-1 |
| Veka Softline AD | 103102 | 101086 | 0-43700-1 | 0-42870-4 | 0-43277-3 | #28 / 5-21024-20-0-1 |
| Veka Softline AD | 103104 | 101086 | 0-43700-1 | 0-42700-1 | 0-43277-3 | #28 / 5-21024-20-0-1 |
| Veka Softline MD | 103116 | 101098 | 0-43700-1 | 0-42700-1 | 0-43277-3 | |
| Veka Topline AD | 103200 | 101200 | 0-43700-1 | 0-42700-1 | 0-43277-3 | #28 / 5-21024-20-0-1 |
| Veka Topline MD | 103220 | 101220 | 0-43700-1 | 0-42700-1 | 0-43277-3 | #28 / 5-21024-20-0-1 |
| Weru | | | 0-43700-1 | 0-42700-1 | 0-43277-3 | |

Face-fixed fanlight openers

Optional parts

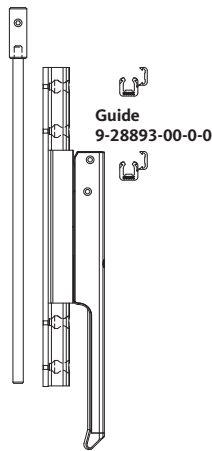


VENTUS F 200 fanlight opener

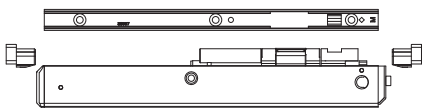


Hand lever
Lift
40 mm 6-28681-40-0*

Hand lever, lockable
Lift
50 mm 6-32100-50-0*
40 mm 6-32100-40-0*



Axially pivotable lever
Lift
50 mm K-12608-00-0*
Drawing 0-44366



Stay bearing
6-29134-00-0*
Stay w. anti-disengaging device
6-29589-00-0*
Rod bearing (pair)
9-38016-00-0-0

Accessories for
Ø 8 mm vertical rod



Bush 6-22842-00-0-1



Guide 9-28893-00-0-0



Guide for transmission
9-33711-00-0*

Shim for sash brackets
Installation drawing
0-43700

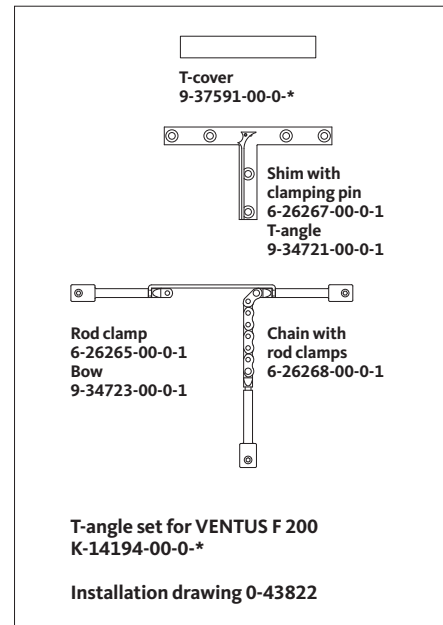


Shim for PVC windows
9-33105-00-0-1

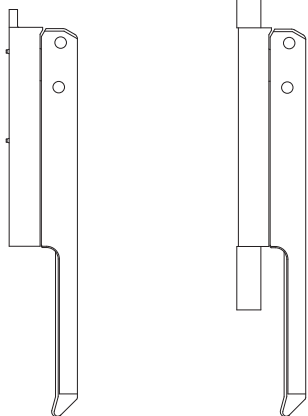


Fixing plate
for hand lever
9-33787-00-0*

T-angle set for VENTUS F 200



VENTUS F 300 fanlight opener



Hand lever
Lift
50 mm 6-26249-50-0*

Axially pivotable lever
Lift
50 mm K-14242-50-0*
70 mm K-14242-70-0*



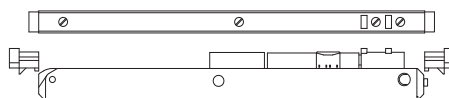
Accessories for
Ø 10 mm vertical rod



Bush
6-26813-00-0-1



Guide
9-34491-00-0-0



Stay with anti-disengaging device
6-27451-00-0*
Stay bearing
6-26244-00-0*
Rod bearing (pair)
9-34458-00-0-0

Shim for sash brackets
Installation drawing
0-42700

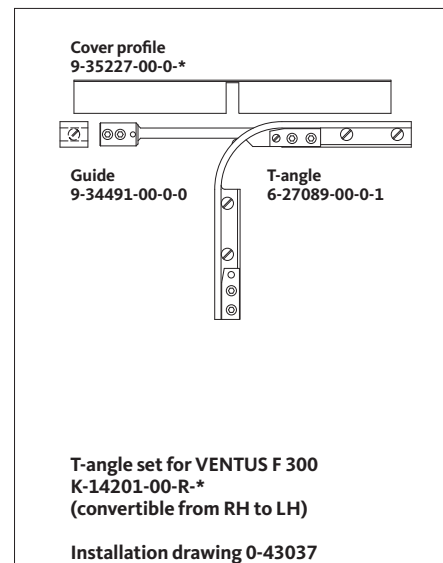


Shim for PVC windows
9-34508-00-0-0



Packer for PVC windows
9-34509-00-0-3

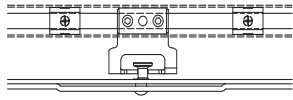
T-angle set for VENTUS F 300





VENTUS F 200 Sec fanlight opener

UNI-JET locking system in the sash rebate



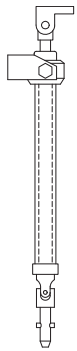
Hardware requirements depending on sash overlap and hardware axis

| Application | Size 1 PVC window | Size 2 PVC window | Size 3 PVC window |
|---------------------|-----------------------|-----------------------|-----------------------|
| Sash overlap | 18 mm | 18 mm | 20 mm – 22 mm |
| Axis | 9 mm | 9 mm or 13 mm | 9 mm or 13 mm |
| Order no. | K-16718-01-0-* | K-16718-02-0-* | K-16718-03-0-* |
| Contents | | | |
| 1 JET engaging fork | 6-32154-01-0-1 | 6-32154-02-0-1 | 6-32154-03-0-1 |
| 2 guides | 9-28893-00-0-0 | 9-28893-00-0-0 | 9-28893-00-0-0 |
| 1 cover profile [1] | 9-39509-00-0-* | 9-39509-00-0-* | 9-39509-00-0-* |

[1] = 250 mm length – with cut-out

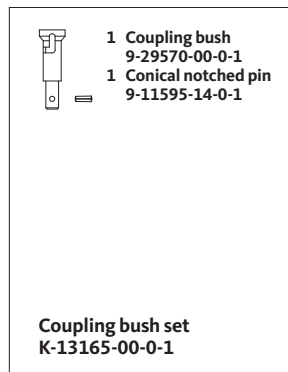
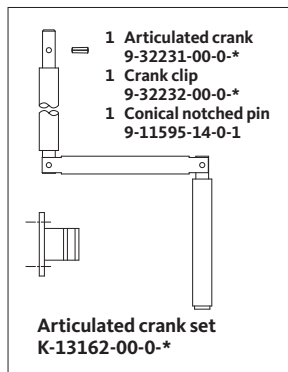
Installation drawing 0-43813

Telescopic spindle drive



Hardware requirements for up to 400 N push force

| Qty. | Description | PU | Order no. |
|------|---|-----|----------------|
| 1 | Telescopic spindle drive for top-hung windows/light domes | 1 | 6-24869-00-0-1 |
| | Technical data | | |
| | lift, mm | 300 | |
| | gear length, mm | 222 | |
| 1 | Crank rod (not illustrated) to be cropped from: Aluminium tube, length 5000 mm | 1 | 9-32230-50-0-* |
| 1 | Articulated crank set for crank rod | 1 | K-13162-00-0-* |
| 1 | Coupling bush set for removable crank rod | 1 | K-13165-00-0-1 |



Installation drawing 0-40636

Vertical and corner gear

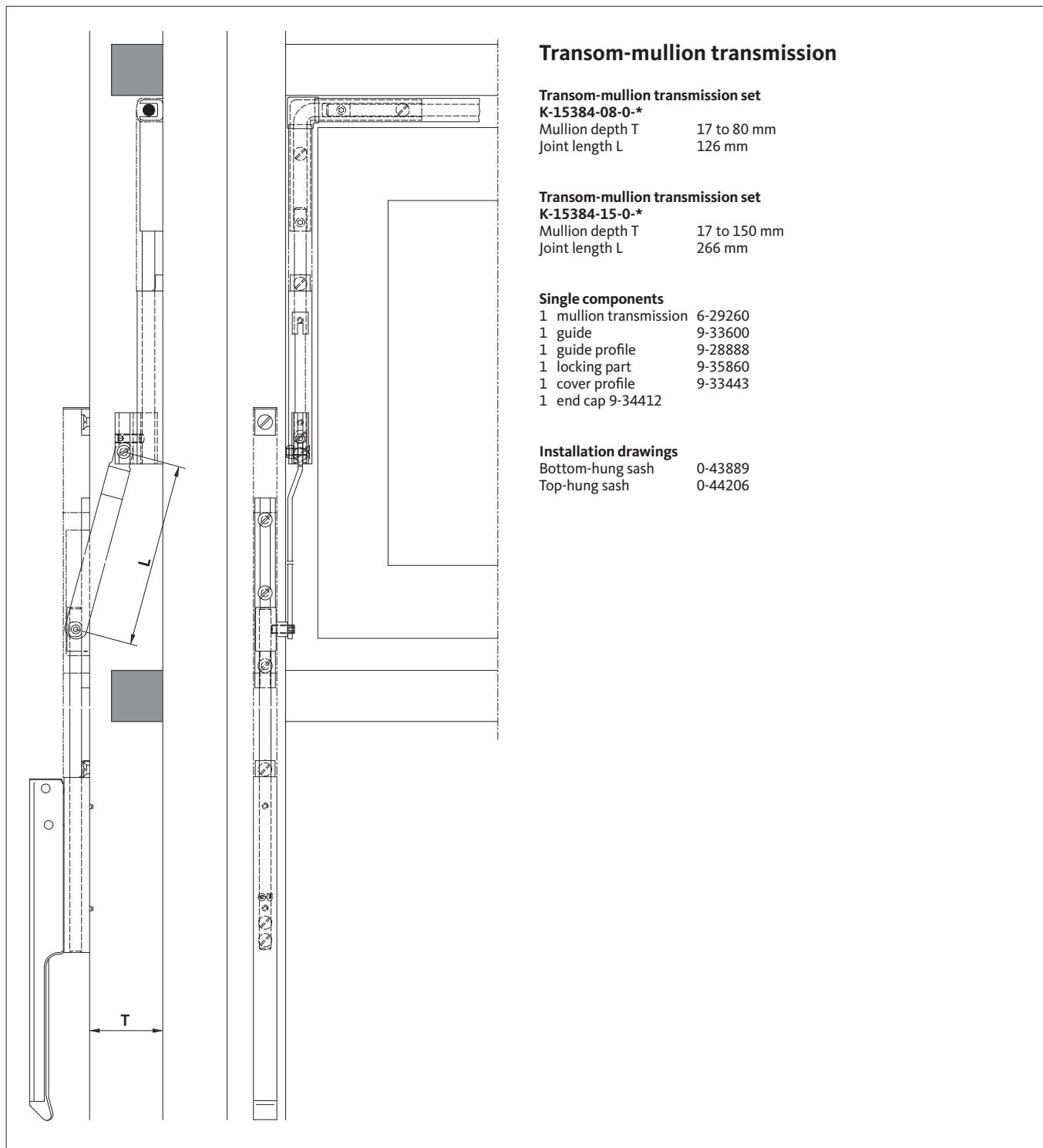


**Load-limiting device
6-31245-00-0-1
for VENTUS F 200 and
VENTUS F 300**
Release moment 4 Nm

**Installation drawing
0-44556**



VENTUS F 200 fanlight opener



Transom-mullion transmission

Transom-mullion transmission set

K-15384-08-0-*

Mullion depth T 17 to 80 mm
Joint length L 126 mm

Transom-mullion transmission set

K-15384-15-0-*

Mullion depth T 17 to 150 mm
Joint length L 266 mm

Single components

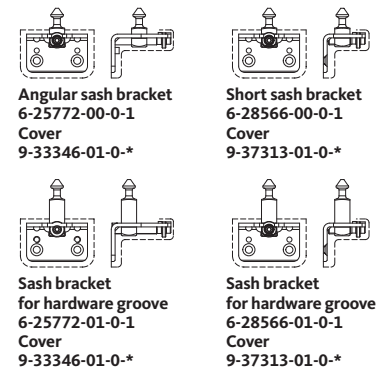
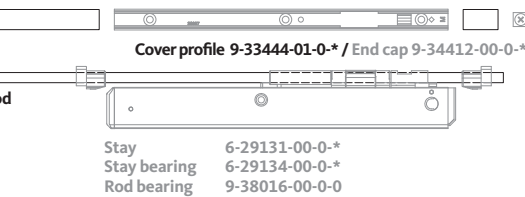
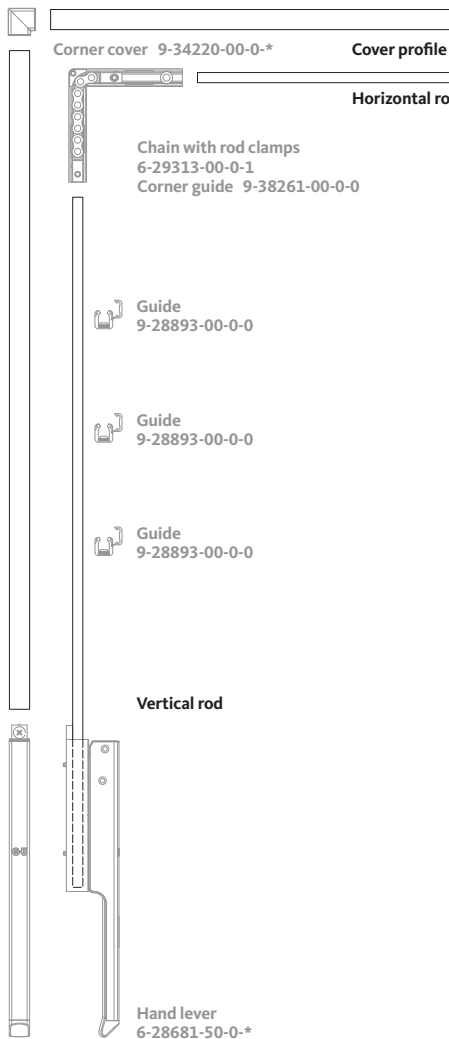
1 mullion transmission 6-29260
1 guide 9-33600
1 guide profile 9-28888
1 locking part 9-35860
1 cover profile 9-33443
1 end cap 9-34412

Installation drawings

Bottom-hung sash 0-43889
Top-hung sash 0-44206

VENTUS F 200 fanlight opener

Standard version – with hand lever



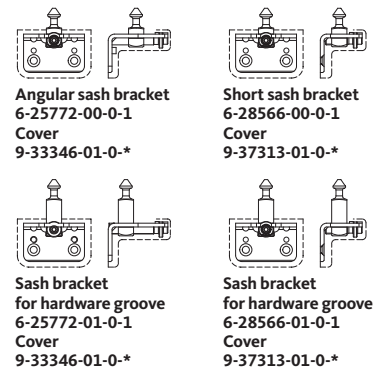
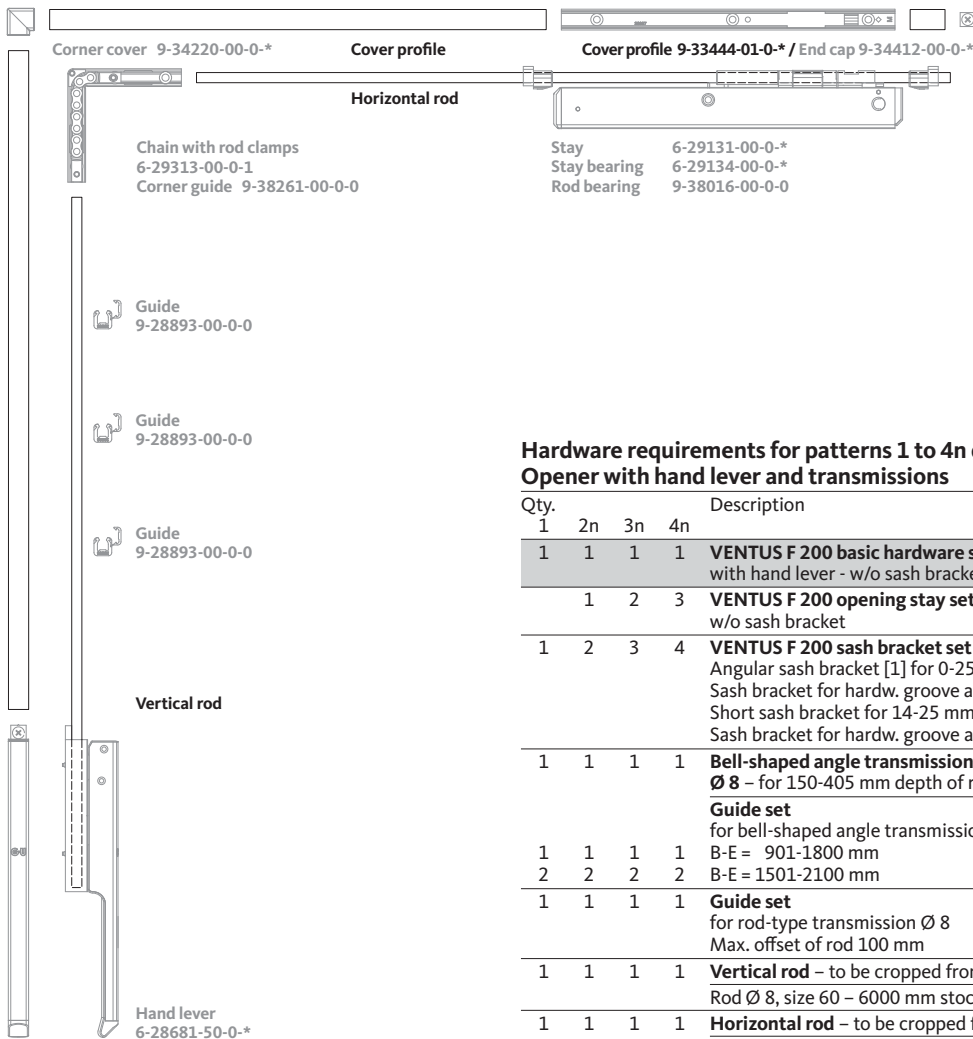
Hardware requirements depending on number of stays for patterns 1 to 4n Opener with hand lever

| Qty. | 1 | 2n | 3n | 4n | Description | PU | Order no. |
|-----------------------|---|----|----|----|---|----|----------------|
| 1 | 1 | 1 | 1 | 1 | VENTUS F 200 basic hardware set with hand lever - w/o sash bracket | 1 | K-15011-00-0-* |
| | | 1 | 2 | 3 | VENTUS F 200 opening stay set w/o sash bracket | 10 | K-15013-00-0-* |
| 1 | 2 | 3 | 4 | | VENTUS F 200 sash bracket set | | |
| | | | | | Angular sash bracket [1] for 0-25 mm overlap | 10 | K-15225-00-0-* |
| | | | | | Sash bracket for hardw. groove and 0-25 mm overlap | 10 | K-15225-01-0-* |
| | | | | | Short sash bracket for 14-25 mm overlap | 10 | K-15224-00-0-* |
| | | | | | Sash bracket for hardw. groove and 14-25 mm overlap | 10 | K-15224-01-0-* |
| 1 | 1 | 1 | 1 | | Horizontal and vertical rod – to be cropped from: | | |
| | | | | | Rod Ø 8, size 18 – length 1850 mm | 10 | 9-25476-18-0-1 |
| | | | | | Rod Ø 8, size 33 – length 3300 mm | 10 | 9-25476-33-0-1 |
| | | | | | Rod Ø 8, size 60 – 6000 mm stock length | 10 | 9-25476-60-0-1 |
| alternatively: | | | | | | | |
| 1 | 1 | 1 | 1 | | Cover profile – to be cropped from: | | |
| | | | | | Cover profile, size 01 – length 62 mm | 10 | 9-33444-01-0-* |
| | | | | | Cover profile, size 18 – length 1800 mm | 10 | 9-33444-18-0-* |
| | | | | | Cover profile, size 33 – length 3050 mm | 10 | 9-33444-33-0-* |
| | | | | | Cover profile, size 60 – 6000 mm stock length | 10 | 9-33444-60-0-* |
| alternatively: | | | | | | | |

[1] Depending on the PVC profile quality, shim 9-33105-00-0-1 (optional part) should be used.
Installation drawing 0-43700

VENTUS F 200 fanlight opener

Standard version – with hand lever and transmissions



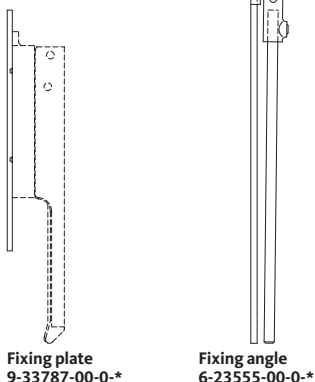
Hardware requirements for patterns 1 to 4n depending on number of stays Opener with hand lever and transmissions

| Qty. | 1 | 2n | 3n | 4n | Description | PU | Order no. |
|-----------------------|---|----|----|----|--|----------------------|--|
| 1 | 1 | 1 | 1 | 1 | VENTUS F 200 basic hardware set with hand lever - w/o sash bracket | 1 | K-15011-00-0* |
| | | 1 | 2 | 3 | VENTUS F 200 opening stay set w/o sash bracket | 10 | K-15013-00-0* |
| 1 | 2 | 3 | 4 | 4 | VENTUS F 200 sash bracket set Angular sash bracket [1] for 0-25 mm overlap Sash bracket for hardw. groove and 0-25 mm overlap Short sash bracket for 14-25 mm overlap Sash bracket for hardw. groove and 14-25 mm overlap | 10 10 10 10 | K-15225-00-0* K-15225-01-0* K-15224-00-0* K-15224-01-0* |
| 1 | 1 | 1 | 1 | 1 | Bell-shaped angle transmission set Ø 8 – for 150-405 mm depth of reveal | 1 | K-13730-00-0* |
| | | | | | Guide set for bell-shaped angle transmission Ø 8 B-E = 901-1800 mm B-E = 1501-2100 mm | 1 | K-13731-00-0* |
| 1 | 1 | 1 | 1 | 1 | Guide set for rod-type transmission Ø 8 Max. offset of rod 100 mm | 1 | K-13732-00-0* |
| 1 | 1 | 1 | 1 | 1 | Vertical rod – to be cropped from: Rod Ø 8, size 60 – 6000 mm stock length | 1 | 9-25476-60-0* |
| 1 | 1 | 1 | 1 | 1 | Horizontal rod – to be cropped from: Rod Ø 8, size 06 – length 600 mm Rod Ø 8, size 18 – length 1850 mm Rod Ø 8, size 33 – length 3300 mm Rod Ø 8, size 60 – 6000 mm stock length | 10 10 10 10 | 9-25476-06-0-1 9-25476-18-0-1 9-25476-33-0-1 9-25476-60-0-1 |
| alternatively: | | | | | | | |
| 1 | 1 | 1 | 1 | 1 | Cover profile – to be cropped from: Cover profile, size 01 – length 62 mm Cover profile, size 06 – length 800 mm Cover profile, size 18 – length 1800 mm Cover profile, size 33 – length 3050 mm | 10 10 10 10 | 9-33444-01-0* 9-33444-06-0* 9-33444-18-0* 9-33444-33-0* |
| alternatively: | | | | | | | |
| | | | | | Cover profile, size 60 – 6000 mm stock length | 10 | 9-33444-60-0* |

[1] Depending on the PVC profile quality, shim 9-33105-00-0-1 (optional part) should be used.
 Installation drawing 0-43700

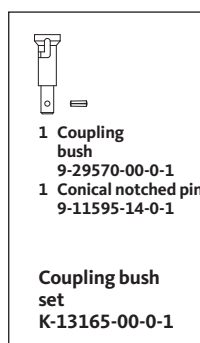
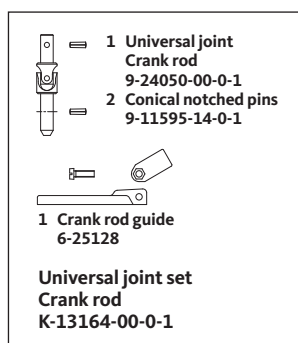
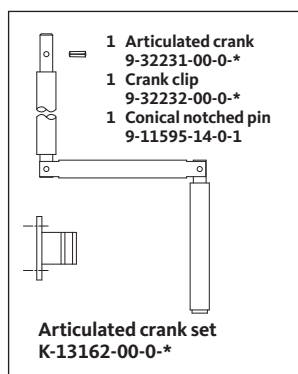
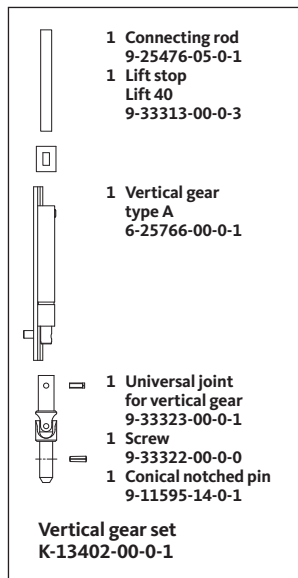
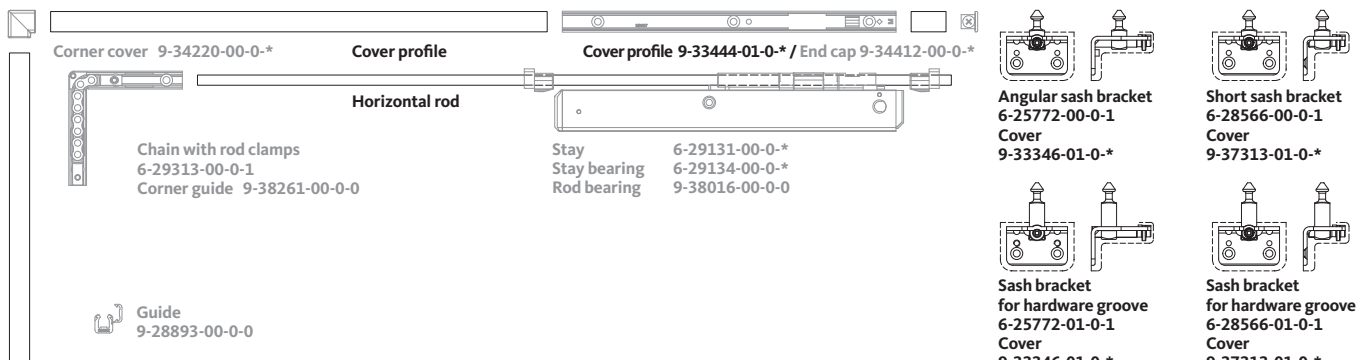
Guide
 9-33711-00-0*

Fixing angle
 6-23554-00-0*
Connecting rod
 9-33786-03-0*



VENTUS F 200 fanlight opener

Standard version – with vertical gear



Hardware requirements for patterns 1 to 4n depending on number of stays Opener with vertical gear

| Qty. | 1 | 2n | 3n | 4n | Description | PU | Order no. |
|-----------------------|---|----|----|----|---|----|----------------|
| 1 | 1 | 1 | 1 | 1 | VENTUS F 200 basic hardware set w/o hand lever - w/o sash bracket | 1 | K-15012-00-0-* |
| | | 1 | 2 | 3 | VENTUS F 200 opening stay set w/o sash bracket | 10 | K-15013-00-0-* |
| 1 | 2 | 3 | 4 | 4 | VENTUS F 200 sash bracket set | | |
| | | | | | Angular sash bracket [1] for 0-25 mm overlap | 10 | K-15225-00-0-* |
| | | | | | Sash bracket for hardw. groove and 0-25 mm overlap | 10 | K-15225-01-0-* |
| | | | | | Short sash bracket for 14-25 mm overlap | 10 | K-15224-00-0-* |
| | | | | | Sash bracket for hardw. groove and 14-25 mm overlap | 10 | K-15224-01-0-* |
| 1 | 1 | 1 | 1 | 1 | Horizontal rod – to be cropped from: | | |
| | | | | | Rod Ø 8, size 06 – length 600 mm | 10 | 9-25476-06-0-1 |
| | | | | | Rod Ø 8, size 18 – length 1850 mm | 10 | 9-25476-18-0-1 |
| | | | | | Rod Ø 8, size 33 – length 3300 mm | 10 | 9-25476-33-0-1 |
| | | | | | Rod Ø 8, size 60 – 6000 mm stock length | 10 | 9-25476-60-0-1 |
| alternatively: | 1 | 1 | 1 | 1 | Cover profile – to be cropped from: | | |
| | | | | | Cover profile, size 01 – length 62 mm | 10 | 9-33444-01-0-* |
| | | | | | Cover profile, size 06 – length 800 mm | 10 | 9-33444-06-0-* |
| | | | | | Cover profile, size 18 – length 1800 mm | 10 | 9-33444-18-0-* |
| | | | | | Cover profile, size 33 – length 3050 mm | 10 | 9-33444-33-0-* |
| | | | | | Cover profile, size 60 – 6000 mm stock length | 10 | 9-33444-60-0-* |
| alternatively: | 1 | 1 | 1 | 1 | Vertical gear set, type A | 1 | K-13402-00-0-1 |

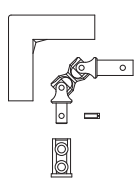
[1] Depending on the PVC profile quality, shim 9-33105-00-0-1 (optional part) should be used.
Installation drawings 0-43700, 0-44556

Hardware requirements for articulated crank and accessories for types a to h with vertical and corner gear

| Type | a | b | c | d | e | f | g | h | Description | PU | Order no. |
|------|---|---|---|---|---|---|---|---|--|----|----------------|
| 1 | 1 | 1 | 1 | 1 | 1 | 1 | 1 | 1 | Crank rod (not illustrated) – to be cropped from: Aluminium tube, 5000 mm stock length | 1 | 9-32230-50-0-* |
| 1 | 1 | 1 | 1 | 1 | 1 | 1 | 1 | 1 | Articulated crank set | 1 | K-13162-00-0-* |
| | | | 1 | 2 | 2 | 1 | 1 | 1 | Universal joint set for crank rod | 1 | K-13164-00-0-1 |
| | | 1 | 1 | 1 | 1 | 1 | | | Coupling bush set | 1 | K-13165-00-0-1 |


VENTUS F 200 fanlight opener

Standard version – with corner gear

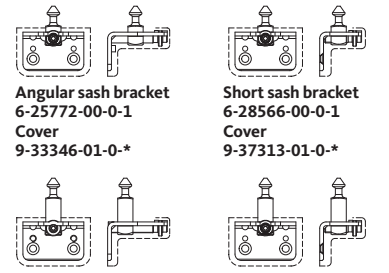
1 Cover
9-33337-00-0-*
1 Double universal joint
9-33333-00-0-1
1 Bearing
9-33335-00-0-0
1 Screw
9-33322-00-0-0

**Additional parts set
Corner gear
K-13403-00-0-***



Cover profile **Cover profile 9-33444-01-0-*** / End cap 9-34412-00-0-*
Horizontal rod

Guide 9-28893-00-0-0 **Stay** 6-29131-00-0-*
 Stay bearing 6-29134-00-0-*
 Rod bearing 9-38016-00-0-0




Angular sash bracket
6-25772-00-0-1
Cover
9-33346-01-0-*


Short sash bracket
6-28566-00-0-1
Cover
9-37313-01-0-*

Sash bracket for hardware groove
6-25772-01-0-1
Cover
9-33346-01-0-*

Sash bracket for hardware groove
6-28566-01-0-1
Cover
9-37313-01-0-*



1 Vertical gear type A
6-25766-00-0-1 **1** Lift stop Lift 40
 9-33313-00-0-3
 1 Connecting rod
 9-25476-05-0-1



1 Universal joint for vertical gear
9-33323-00-0-1
1 Screw
9-33322-00-0-0
1 Conical notched pin
9-11595-14-0-1

**Vertical gear set
K-13402-00-0-1**

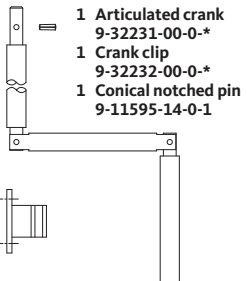
Hardware requirements depending on number of stays for patterns 1 to 4n Opener with corner gear

| Qty. | 1 | 2n | 3n | 4n | Description | PU | Order no. |
|------|---|----|----|----|--|----|----------------|
| 1 | 2 | 3 | 4 | | VENTUS F 200 opening stay set w/o sash bracket | 10 | K-15013-00-0-* |
| | | | | | End cap | 1 | 9-34412-00-0-* |
| 1 | 1 | 1 | 1 | | VENTUS F 200 sash bracket set | | |
| | | | | | Angular sash bracket [1] for 0-25 mm overlap | 10 | K-15225-00-0-* |
| | | | | | Sash bracket for hardw. groove and 0-25 mm overlap | 10 | K-15225-01-0-* |
| | | | | | Short sash bracket for 14-25 mm overlap | 10 | K-15224-00-0-* |
| | | | | | Sash bracket for hardw. groove and 14-25 mm overlap | 10 | K-15224-01-0-* |
| 1 | 1 | 1 | 1 | | Horizontal rod – to be cropped from: | | |
| | | | | | Rod Ø 8, size 06 – length 600 mm | 10 | 9-25476-06-0-1 |
| | | | | | Rod Ø 8, size 18 – length 1850 mm | 10 | 9-25476-18-0-1 |
| | | | | | Rod Ø 8, size 33 – length 3300 mm | 10 | 9-25476-33-0-1 |
| | | | | | Rod Ø 8, size 60 – 6000 mm stock length | 10 | 9-25476-60-0-1 |
| | | | | | alternatively: | | |
| 1 | 1 | 1 | 1 | | Cover profile – to be cropped from: | | |
| | | | | | Cover profile, size 01 – length 62 mm | 10 | 9-33444-01-0-* |
| | | | | | Cover profile, size 06 – length 800 mm | 10 | 9-33444-06-0-* |
| | | | | | Cover profile, size 18 – length 1800 mm | 10 | 9-33444-18-0-* |
| | | | | | Cover profile, size 33 – length 3050 mm | 10 | 9-33444-33-0-* |
| | | | | | Cover profile, size 60 – 6000 mm stock length | 10 | 9-33444-60-0-* |
| | | | | | alternatively: | | |
| 1 | 1 | 1 | 1 | | Vertical gear set, type A | 1 | K-13402-00-0-1 |
| 1 | 1 | 1 | 1 | | Additional parts set for corner gear, type A | 1 | K-13403-00-0-* |

[1] Depending on the PVC profile quality, shim 9-33105-00-0-1 (optional part) should be used.
Installation drawings 0-43700, 0-44556

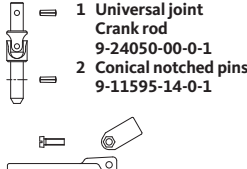
Hardware requirements for articulated crank and accessories for types a to h with vertical and corner gear

| Type | a | b | c | d | e | f | g | h | Description | PU | Order no. |
|------|---|---|---|---|---|---|---|---|--|----|----------------|
| 1 | 1 | 1 | 1 | 1 | 1 | 1 | 1 | 1 | Crank rod (not illustrated) – to be cropped from: Aluminium tube, 5000 mm stock length | 1 | 9-32230-50-0-* |
| 1 | 1 | 1 | 1 | 1 | 1 | 1 | 1 | 1 | Articulated crank set | 1 | K-13162-00-0-* |
| | | | 1 | 1 | 2 | 2 | 1 | 1 | Universal joint set for crank rod | 1 | K-13164-00-0-1 |
| 1 | | | 1 | | | | | 1 | Coupling bush set | 1 | K-13165-00-0-1 |




1 Articulated crank
9-32231-00-0-*
1 Crank clip
9-32232-00-0-*
1 Conical notched pin
9-11595-14-0-1

**Articulated crank set
K-13162-00-0-***

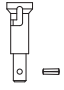


1 Universal joint
Crank rod
9-24050-00-0-1
2 Conical notched pins
9-11595-14-0-1



1 Crank rod guide
6-25128

**Universal joint set
Crank rod
K-13164-00-0-1**

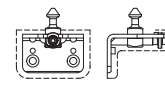
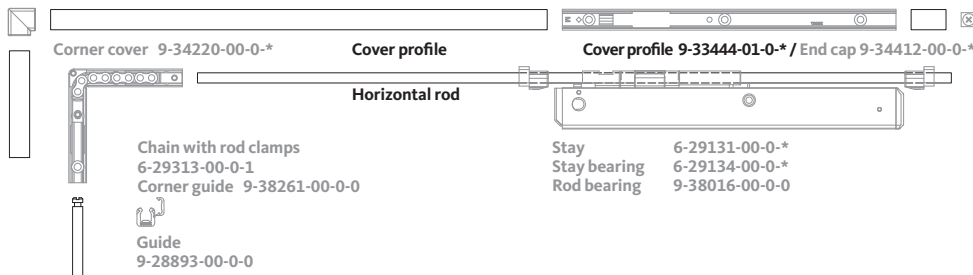


1 Coupling bush
9-29570-00-0-1
1 Conical notched pin
9-11595-14-0-1

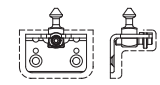
**Coupling bush set
K-13165-00-0-1**

VENTUS F 200 fanlight opener

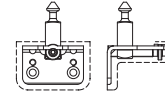
Standard version – with ELTRAL installed on side



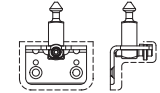
Angular sash bracket
6-25772-00-0-1
Cover
9-33346-01-0-*



Short sash bracket
6-28566-00-0-1
Cover
9-37313-01-0-*



Sash bracket for hardware groove
6-25772-01-0-1
Cover
9-33346-01-0-*



Sash bracket for hardware groove
6-28566-01-0-1
Cover
9-37313-01-0-*

ELTRAL S 230 L, S 230 E
Connecting rod
9-34764-00-0-1

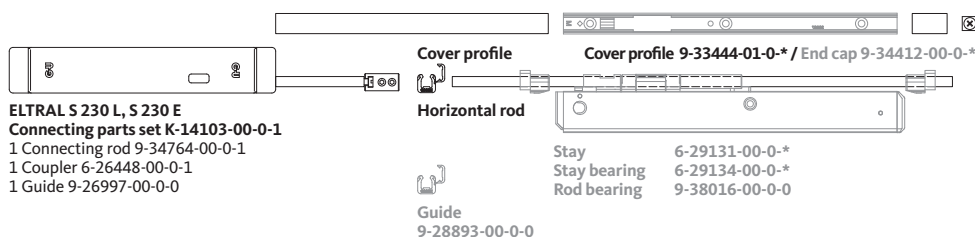
Hardware requirements depending on number of stays for patterns 1 to 4n Opener with ELTRAL on side

| Qty. | | | | Description | PU | Order no. |
|------|----|----|----|---|----|----------------|
| 1 | 2n | 3n | 4n | | | |
| 1 | 1 | 1 | 1 | VENTUS F 200 basic hardware set w/o hand lever - w/o sash bracket | 1 | K-15012-00-0-* |
| | 1 | 2 | 3 | VENTUS F 200 opening stay set w/o sash bracket | 10 | K-15013-00-0-* |
| 1 | 2 | 3 | 4 | VENTUS F 200 sash bracket set | | |
| | | | | Angular sash bracket [1] for 0-25 mm overlap | 10 | K-15225-00-0-* |
| | | | | Sash bracket for hardw. groove and 0-25 mm overlap | 10 | K-15225-01-0-* |
| | | | | Short sash bracket for 14-25 mm overlap | 10 | K-15224-00-0-* |
| | | | | Sash bracket for hardw. groove and 14-25 mm overlap | 10 | K-15224-01-0-* |
| 1 | 1 | 1 | 1 | Horizontal rod – to be cropped from: | | |
| | | | | Rod Ø 8, size 06 – length 600 mm | 10 | 9-25476-06-0-1 |
| | | | | Rod Ø 8, size 18 – length 1850 mm | 10 | 9-25476-18-0-1 |
| | | | | Rod Ø 8, size 33 – length 3300 mm | 10 | 9-25476-33-0-1 |
| | | | | Rod Ø 8, size 60 – 6000 mm stock length | 10 | 9-25476-60-0-1 |
| | | | | alternatively: | | |
| 1 | 1 | 1 | 1 | Cover profile – to be cropped from: | | |
| | | | | Cover profile, size 01 – length 62 mm | 10 | 9-33444-01-0-* |
| | | | | Cover profile, size 06 – length 800 mm | 10 | 9-33444-06-0-* |
| | | | | Cover profile, size 18 – length 1800 mm | 10 | 9-33444-18-0-* |
| | | | | Cover profile, size 33 – length 3050 mm | 10 | 9-33444-33-0-* |
| | | | | Cover profile, size 60 – 6000 mm stock length | 10 | 9-33444-60-0-* |
| | | | | alternatively: | | |
| 1 | 1 | 1 | 1 | ELTRAL S 230 L electric drive | 1 | 6-31730-00-0-* |
| | | | | alternatively: | | |
| | | | | ELTRAL S 230 E electric drive | 1 | 6-31732-00-0-* |
| 1 | 1 | 1 | 1 | Connecting rod, Ø 8 mm, B = 400-3600 | 1 | 9-34764-00-0-1 |

[1] Depending on the PVC profile quality, shim 9-33105-00-0-1 (optional part) should be used.
Installation drawing 0-43700, Installation drawing ELTRAL 0-43791

VENTUS F 200 fanlight opener

Standard version – with ELTRAL installed at top



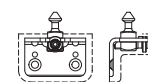
ELTRAL S 230 L, S 230 E
Connecting parts set K-14103-00-0-1
1 Connecting rod 9-34764-00-0-1
1 Coupler 6-26448-00-0-1
1 Guide 9-26997-00-0-0



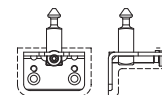
ELTRAL 300
Connecting parts set K-15216-00-0-1
1 Connecting rod 9-31018-01-0-1
1 Coupler 6-29592-00-0-1



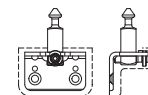
Angular sash bracket
6-25772-00-0-1
Cover 9-33346-01-0-*



Short sash bracket
6-28566-00-0-1
Cover 9-37313-01-0-*



Sash bracket for hardware groove
6-25772-01-0-1
Cover 9-33346-01-0-*



Sash bracket for hardware groove
6-28566-01-0-1
Cover 9-37313-01-0-*

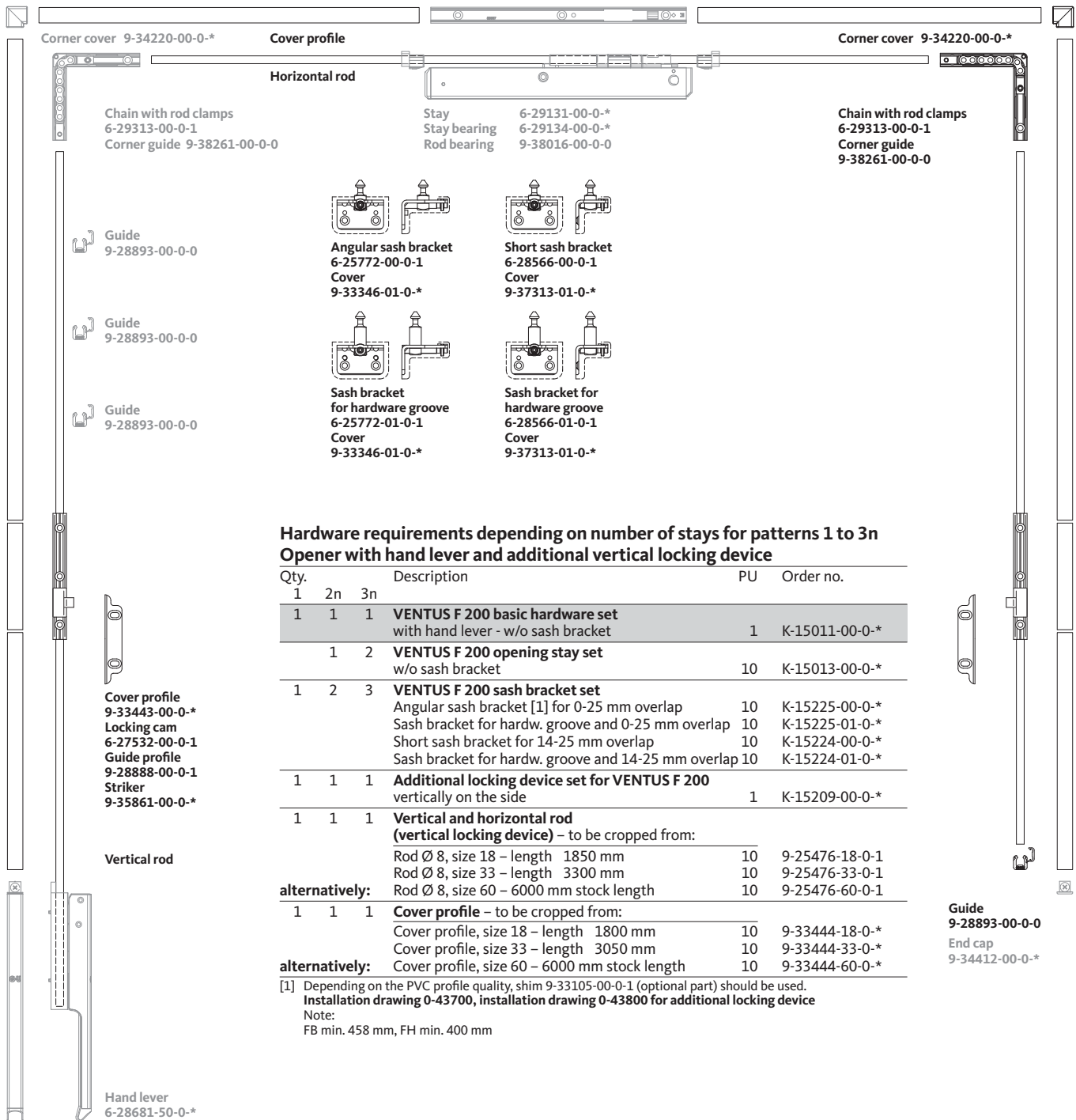
Hardware requirements depending on number of stays for patterns 1 to 4n Opener with ELTRAL at top

| Qty. | 2n | 3n | 4n | Description | PU | Order no. |
|-----------------------|----|----|----|--|----|----------------|
| 1 | 2 | 3 | 4 | VENTUS F 200 opening stay set w/o sash bracket | 10 | K-15013-00-0-* |
| | | | | End cap | 1 | 9-34412-00-0-* |
| 1 | 1 | 1 | 1 | VENTUS F 200 sash bracket set | | |
| | | | | Angular sash bracket [1] for 0-25 mm overlap | 10 | K-15225-00-0-* |
| | | | | Sash bracket for hardw. groove and 0-25 mm overlap | 10 | K-15225-01-0-* |
| | | | | Short sash bracket for 14-25 mm overlap | 10 | K-15224-00-0-* |
| | | | | Sash bracket for hardw. groove and 14-25 mm overlap | 10 | K-15224-01-0-* |
| 1 | 1 | 1 | 1 | Horizontal rod – to be cropped from: | | |
| | | | | Rod Ø 8, size 06 – length 600 mm | 10 | 9-25476-06-0-1 |
| | | | | Rod Ø 8, size 18 – length 1850 mm | 10 | 9-25476-18-0-1 |
| | | | | Rod Ø 8, size 33 – length 3300 mm | 10 | 9-25476-33-0-1 |
| | | | | Rod Ø 8, size 60 – 6000 mm stock length | 10 | 9-25476-60-0-1 |
| alternatively: | | | | | | |
| 1 | 1 | 1 | 1 | Cover profile – to be cropped from: | | |
| | | | | Cover profile, size 01 – length 62 mm | 10 | 9-33444-01-0-* |
| | | | | Cover profile, size 06 – length 800 mm | 10 | 9-33444-06-0-* |
| | | | | Cover profile, size 18 – length 1800 mm | 10 | 9-33444-18-0-* |
| | | | | Cover profile, size 33 – length 3050 mm | 10 | 9-33444-33-0-* |
| | | | | Cover profile, size 60 – 6000 mm stock length | 10 | 9-33444-60-0-* |
| alternatively: | | | | | | |
| 1 | 1 | 1 | 1 | ELTRAL S 230 L electric drive | 1 | 6-31730-00-0-* |
| alternatively: | | | | | | |
| 1 | 1 | 1 | 1 | ELTRAL S 230 E electric drive | 1 | 6-31732-00-0-* |
| 1 | 1 | 1 | 1 | Connecting parts set, B = 620-3600 | 1 | K-14103-00-0-1 |
| alternatively: | | | | | | |
| 1 | 1 | 1 | 1 | ELTRAL 300 E1 electric drive | 1 | 9-31020-01-0-* |
| alternatively: | | | | | | |
| 1 | 1 | 1 | 1 | Connecting parts "300" set, B = 650-3600 | 1 | K-15216-00-0-1 |

[1] Depending on the PVC profile quality, shim 9-33105-00-0-1 (optional part) should be used.
Installation drawing 0-43700, Installation drawing ELTRAL 0-43791

VENTUS F 200 fanlight opener

Standard version – with hand lever and additional vertical locking device



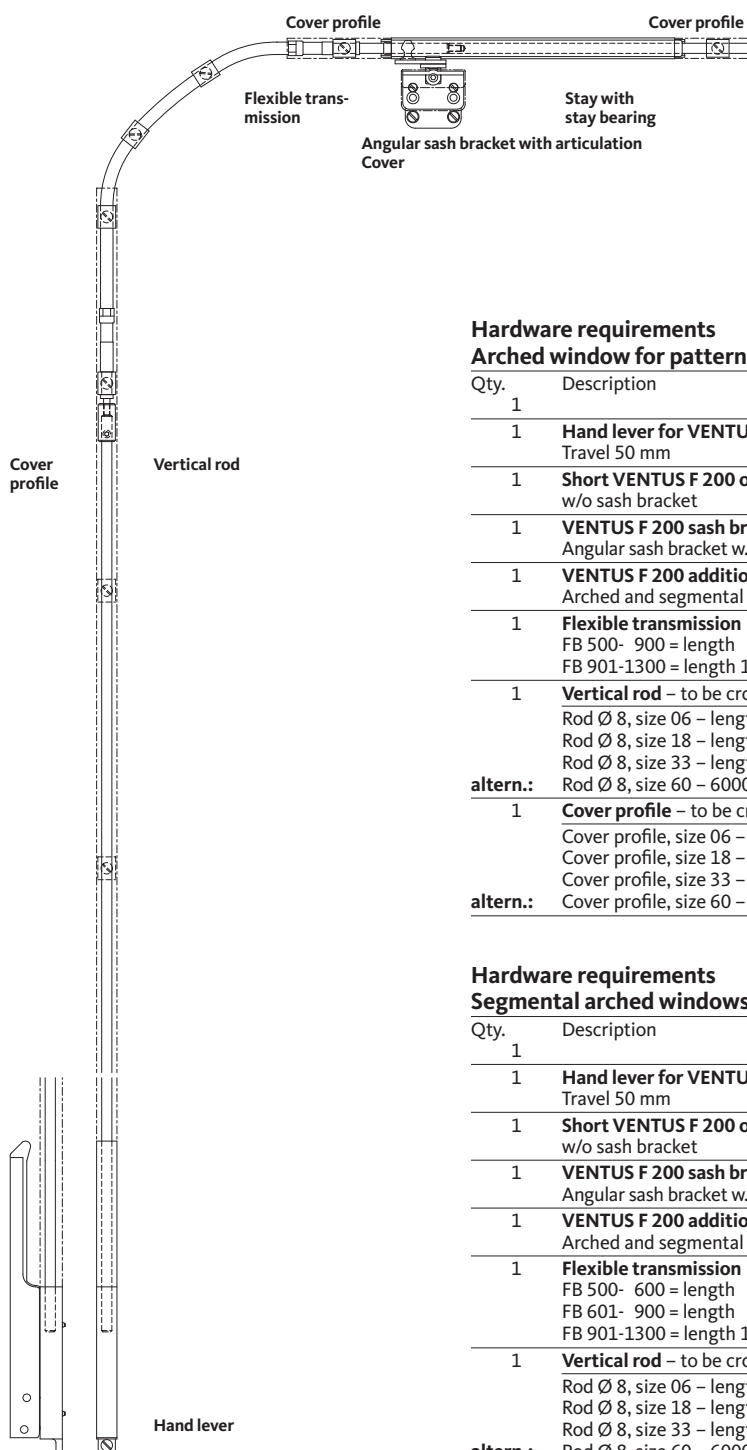
Hardware requirements depending on number of stays for patterns 1 to 3n Opener with hand lever and additional vertical locking device

| Qty. | 1 | 2n | 3n | Description | PU | Order no. |
|------|---|----|----|--|----|----------------|
| 1 | 1 | 1 | 1 | VENTUS F 200 basic hardware set with hand lever - w/o sash bracket | 1 | K-15011-00-0-* |
| | 1 | 2 | | VENTUS F 200 opening stay set w/o sash bracket | 10 | K-15013-00-0-* |
| 1 | 2 | 3 | | VENTUS F 200 sash bracket set | | |
| | | | | Angular sash bracket [1] for 0-25 mm overlap | 10 | K-15225-00-0-* |
| | | | | Sash bracket for hardw. groove and 0-25 mm overlap | 10 | K-15225-01-0-* |
| | | | | Short sash bracket for 14-25 mm overlap | 10 | K-15224-00-0-* |
| | | | | Sash bracket for hardw. groove and 14-25 mm overlap | 10 | K-15224-01-0-* |
| 1 | 1 | 1 | 1 | Additional locking device set for VENTUS F 200 vertically on the side | 1 | K-15209-00-0-* |
| 1 | 1 | 1 | 1 | Vertical and horizontal rod (vertical locking device) – to be cropped from: | | |
| | | | | Rod Ø 8, size 18 – length 1850 mm | 10 | 9-25476-18-0-1 |
| | | | | Rod Ø 8, size 33 – length 3300 mm | 10 | 9-25476-33-0-1 |
| | | | | alternatively: Rod Ø 8, size 60 – 6000 mm stock length | 10 | 9-25476-60-0-1 |
| 1 | 1 | 1 | 1 | Cover profile – to be cropped from: | | |
| | | | | Cover profile, size 18 – length 1800 mm | 10 | 9-33444-18-0-* |
| | | | | Cover profile, size 33 – length 3050 mm | 10 | 9-33444-33-0-* |
| | | | | alternatively: Cover profile, size 60 – 6000 mm stock length | 10 | 9-33444-60-0-* |

[1] Depending on the PVC profile quality, shim 9-33105-00-0-1 (optional part) should be used.
Installation drawing 0-43700, installation drawing 0-43800 for additional locking device
Note:
FB min. 458 mm, FH min. 400 mm

VENTUS F 200 fanlight opener

Standard version – arched and segmental arched window for pattern 1



Hardware requirements Arched window for pattern 1

| Qty. | Description | PU | Order no. |
|-----------------|--|----|----------------|
| 1 | | | |
| 1 | Hand lever for VENTUS F 200 Travel 50 mm | 1 | 6-28681-50-0* |
| 1 | Short VENTUS F 200 opening stay set w/o sash bracket | 1 | K-15483-00-0* |
| 1 | VENTUS F 200 sash bracket set Angular sash bracket w. articulation for 0-25 mm overlap | 1 | K-15507-00-0* |
| 1 | VENTUS F 200 additional hardware set Arched and segmental arched windows | 1 | K-15484-00-0* |
| 1 | Flexible transmission FB 500- 900 = length 700 mm | 1 | 6-29495-07-0* |
| | FB 901-1300 = length 1000 mm | 1 | 6-29495-10-0* |
| 1 | Vertical rod – to be cropped from: | | |
| | Rod Ø 8, size 06 – length 600 mm | 10 | 9-25476-06-0-1 |
| | Rod Ø 8, size 18 – length 1850 mm | 10 | 9-25476-18-0-1 |
| | Rod Ø 8, size 33 – length 3300 mm | 10 | 9-25476-33-0-1 |
| altern.: | Rod Ø 8, size 60 – 6000 mm stock length | 10 | 9-25476-60-0-1 |
| 1 | Cover profile – to be cropped from: | | |
| | Cover profile, size 06 – length 800 mm | 10 | 9-33444-06-0* |
| | Cover profile, size 18 – length 1800 mm | 10 | 9-33444-18-0* |
| | Cover profile, size 33 – length 3050 mm | 10 | 9-33444-33-0* |
| altern.: | Cover profile, size 60 – 6000 mm stock length | 10 | 9-33444-60-0* |

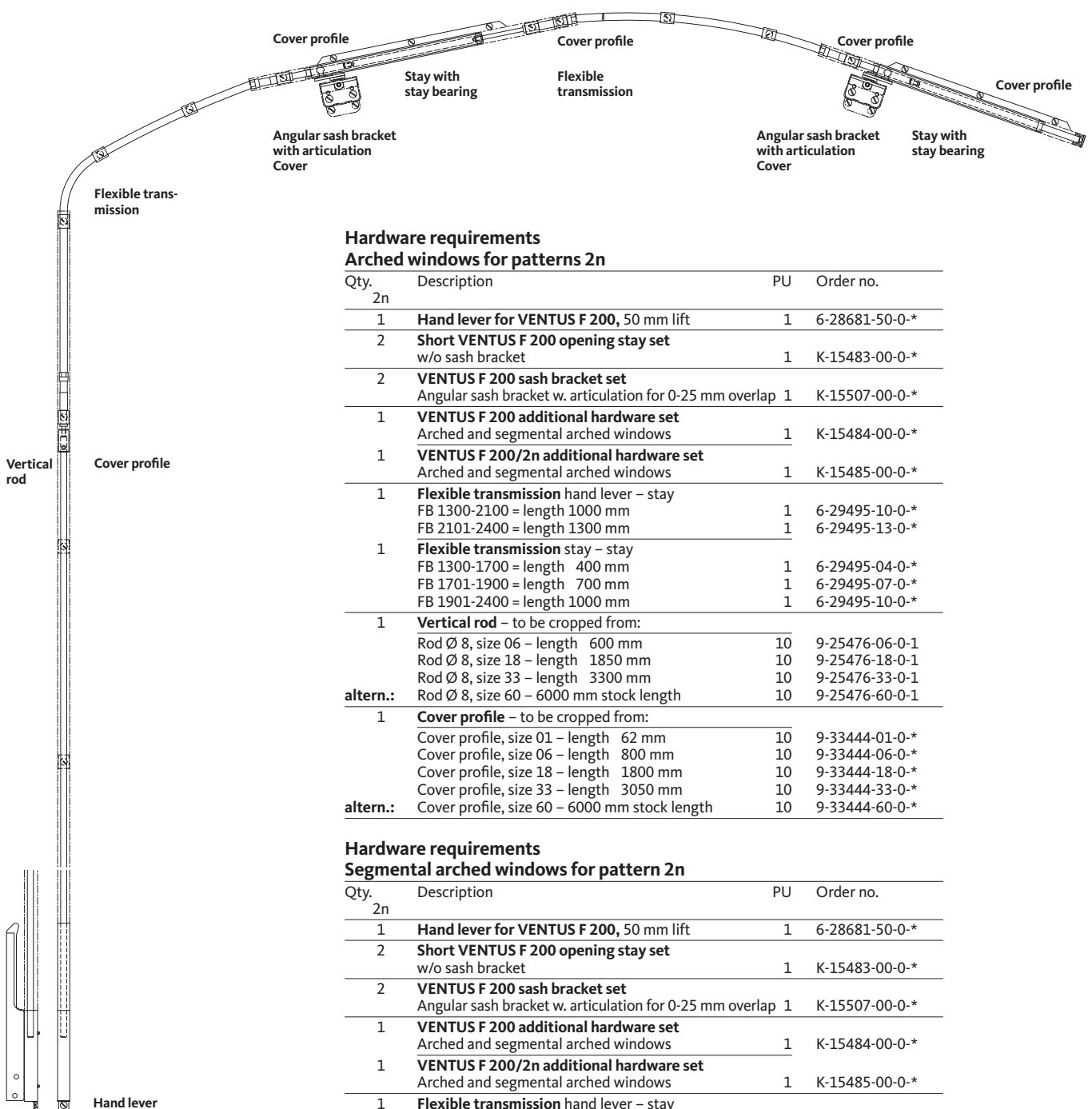
Hardware requirements Segmental arched windows for pattern 1

| Qty. | Description | PU | Order no. |
|-----------------|--|----|----------------|
| 1 | | | |
| 1 | Hand lever for VENTUS F 200 Travel 50 mm | 1 | 6-28681-50-0* |
| 1 | Short VENTUS F 200 opening stay set w/o sash bracket | 1 | K-15483-00-0* |
| 1 | VENTUS F 200 sash bracket set Angular sash bracket w. articulation for 0-25 mm overlap | 1 | K-15507-00-0* |
| 1 | VENTUS F 200 additional hardware set Arched and segmental arched windows | 1 | K-15484-00-0* |
| 1 | Flexible transmission FB 500- 600 = length 400 mm | 1 | 6-29495-04-0* |
| | FB 601- 900 = length 700 mm | 1 | 6-29495-07-0* |
| | FB 901-1300 = length 1000 mm | 1 | 6-29495-10-0* |
| 1 | Vertical rod – to be cropped from: | | |
| | Rod Ø 8, size 06 – length 600 mm | 10 | 9-25476-06-0-1 |
| | Rod Ø 8, size 18 – length 1850 mm | 10 | 9-25476-18-0-1 |
| | Rod Ø 8, size 33 – length 3300 mm | 10 | 9-25476-33-0-1 |
| altern.: | Rod Ø 8, size 60 – 6000 mm stock length | 10 | 9-25476-60-0-1 |
| 1 | Cover profile – to be cropped from: | | |
| | Cover profile, size 06 – length 800 mm | 10 | 9-33444-06-0* |
| | Cover profile, size 18 – length 1800 mm | 10 | 9-33444-18-0* |
| | Cover profile, size 33 – length 3050 mm | 10 | 9-33444-33-0* |
| altern.: | Cover profile, size 60 – 6000 mm stock length | 10 | 9-33444-60-0* |

Installation drawing 0-43951

VENTUS F 200 fanlight opener

Standard version – arched and segmental arched windows for pattern 2n



Hardware requirements Arched windows for patterns 2n

| Qty. 2n | Description | PU | Order no. |
|-----------------|--|----|----------------|
| 1 | Hand lever for VENTUS F 200, 50 mm lift | 1 | 6-28681-50-0-* |
| 2 | Short VENTUS F 200 opening stay set w/o sash bracket | 1 | K-15483-00-0-* |
| 2 | VENTUS F 200 sash bracket set Angular sash bracket w. articulation for 0-25 mm overlap | 1 | K-15507-00-0-* |
| 1 | VENTUS F 200 additional hardware set Arched and segmental arched windows | 1 | K-15484-00-0-* |
| 1 | VENTUS F 200/2n additional hardware set Arched and segmental arched windows | 1 | K-15485-00-0-* |
| 1 | Flexible transmission hand lever – stay FB 1300-2100 = length 1000 mm | 1 | 6-29495-10-0-* |
| | FB 2101-2400 = length 1300 mm | 1 | 6-29495-13-0-* |
| 1 | Flexible transmission stay – stay FB 1300-1700 = length 400 mm | 1 | 6-29495-04-0-* |
| | FB 1701-1900 = length 700 mm | 1 | 6-29495-07-0-* |
| | FB 1901-2400 = length 1000 mm | 1 | 6-29495-10-0-* |
| 1 | Vertical rod – to be cropped from: | | |
| | Rod Ø 8, size 06 – length 600 mm | 10 | 9-25476-06-0-1 |
| | Rod Ø 8, size 18 – length 1850 mm | 10 | 9-25476-18-0-1 |
| | Rod Ø 8, size 33 – length 3300 mm | 10 | 9-25476-33-0-1 |
| altern.: | Rod Ø 8, size 60 – 6000 mm stock length | 10 | 9-25476-60-0-1 |
| 1 | Cover profile – to be cropped from: | | |
| | Cover profile, size 01 – length 62 mm | 10 | 9-33444-01-0-* |
| | Cover profile, size 06 – length 800 mm | 10 | 9-33444-06-0-* |
| | Cover profile, size 18 – length 1800 mm | 10 | 9-33444-18-0-* |
| | Cover profile, size 33 – length 3050 mm | 10 | 9-33444-33-0-* |
| altern.: | Cover profile, size 60 – 6000 mm stock length | 10 | 9-33444-60-0-* |

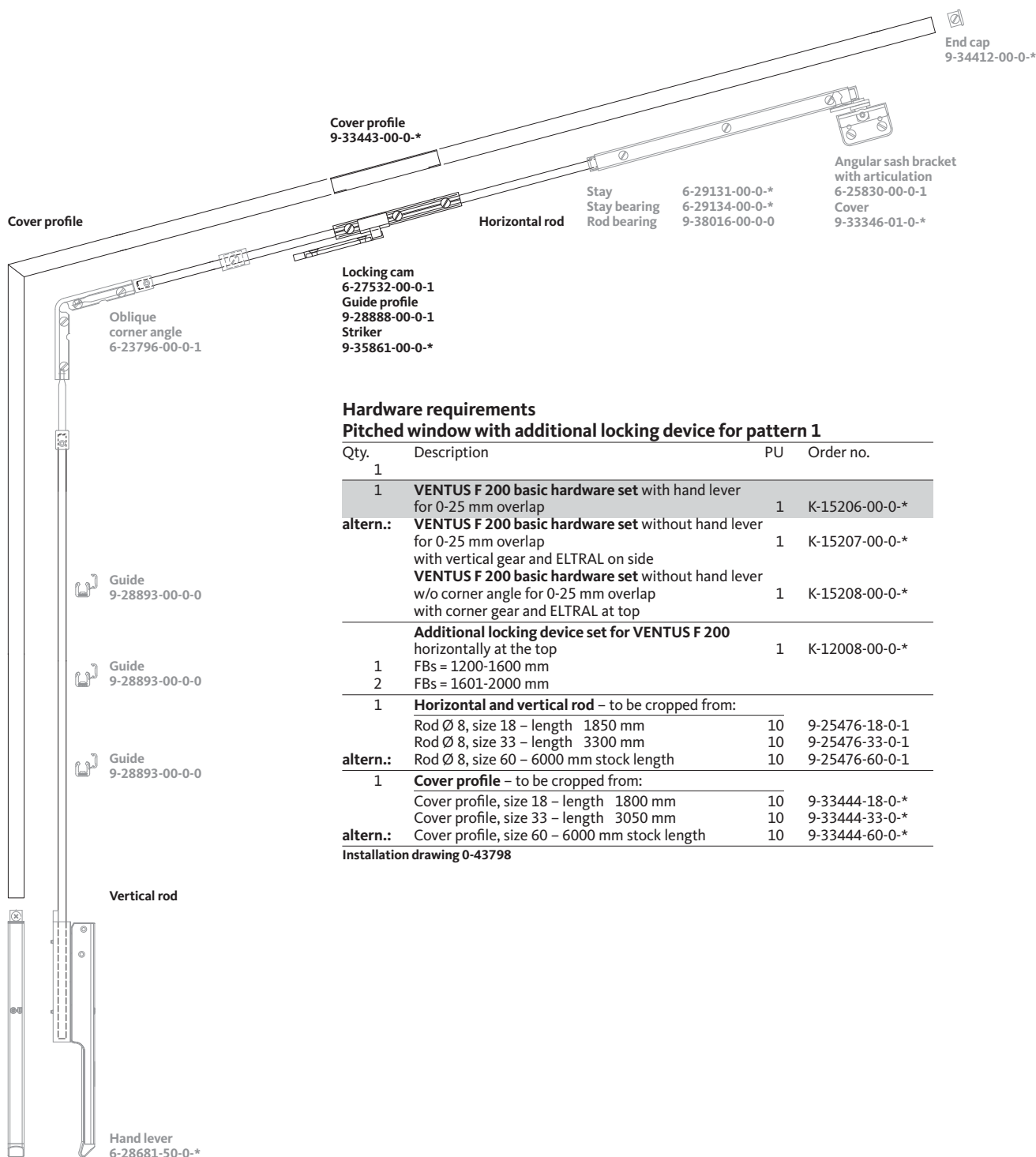
Hardware requirements Segmental arched windows for pattern 2n

| Qty. 2n | Description | PU | Order no. |
|-----------------|--|----|----------------|
| 1 | Hand lever for VENTUS F 200, 50 mm lift | 1 | 6-28681-50-0-* |
| 2 | Short VENTUS F 200 opening stay set w/o sash bracket | 1 | K-15483-00-0-* |
| 2 | VENTUS F 200 sash bracket set Angular sash bracket w. articulation for 0-25 mm overlap | 1 | K-15507-00-0-* |
| 1 | VENTUS F 200 additional hardware set Arched and segmental arched windows | 1 | K-15484-00-0-* |
| 1 | VENTUS F 200/2n additional hardware set Arched and segmental arched windows | 1 | K-15485-00-0-* |
| 1 | Flexible transmission hand lever – stay FB 1200-2400 = length 700 mm | 1 | 6-29495-07-0-* |
| 1 | Flexible transmission stay – stay FB 1200-1500 = length 400 mm | 1 | 6-29495-04-0-* |
| | FB 1501-1800 = length 700 mm | 1 | 6-29495-07-0-* |
| | FB 1801-2100 = length 1000 mm | 1 | 6-29495-10-0-* |
| | FB 2101-2400 = length 1300 mm | 1 | 6-29495-13-0-* |
| 1 | Vertical rod – to be cropped from: | | |
| | Rod Ø 8, size 06 – length 600 mm | 10 | 9-25476-06-0-1 |
| | Rod Ø 8, size 18 – length 1850 mm | 10 | 9-25476-18-0-1 |
| | Rod Ø 8, size 33 – length 3300 mm | 10 | 9-25476-33-0-1 |
| altern.: | Rod Ø 8, size 60 – 6000 mm stock length | 10 | 9-25476-60-0-1 |
| 1 | Cover profile – to be cropped from: | | |
| | Cover profile, size 06 – length 800 mm | 10 | 9-33444-06-0-* |
| | Cover profile, size 18 – length 1800 mm | 10 | 9-33444-18-0-* |
| | Cover profile, size 33 – length 3050 mm | 10 | 9-33444-33-0-* |
| altern.: | Cover profile, size 60 – 6000 mm stock length | 10 | 9-33444-60-0-* |

Installation drawing 0-43952

VENTUS F 200 fanlight opener

Standard version – pitched windows



Hardware requirements

Pitched window with additional locking device for pattern 1

| Qty. | Description | PU | Order no. |
|-----------------|---|----|----------------|
| 1 | | | |
| 1 | VENTUS F 200 basic hardware set with hand lever for 0-25 mm overlap | 1 | K-15206-00-0* |
| altern.: | VENTUS F 200 basic hardware set without hand lever for 0-25 mm overlap with vertical gear and ELTRAL on side | 1 | K-15207-00-0* |
| | VENTUS F 200 basic hardware set without hand lever w/o corner angle for 0-25 mm overlap with corner gear and ELTRAL at top | 1 | K-15208-00-0* |
| | Additional locking device set for VENTUS F 200 horizontally at the top | 1 | K-12008-00-0* |
| 1 | FBs = 1200-1600 mm | | |
| 2 | FBs = 1601-2000 mm | | |
| 1 | Horizontal and vertical rod – to be cropped from: | | |
| | Rod Ø 8, size 18 – length 1850 mm | 10 | 9-25476-18-0-1 |
| | Rod Ø 8, size 33 – length 3300 mm | 10 | 9-25476-33-0-1 |
| altern.: | Rod Ø 8, size 60 – 6000 mm stock length | 10 | 9-25476-60-0-1 |
| 1 | Cover profile – to be cropped from: | | |
| | Cover profile, size 18 – length 1800 mm | 10 | 9-33444-18-0* |
| | Cover profile, size 33 – length 3050 mm | 10 | 9-33444-33-0* |
| altern.: | Cover profile, size 60 – 6000 mm stock length | 10 | 9-33444-60-0* |

Installation drawing 0-43798

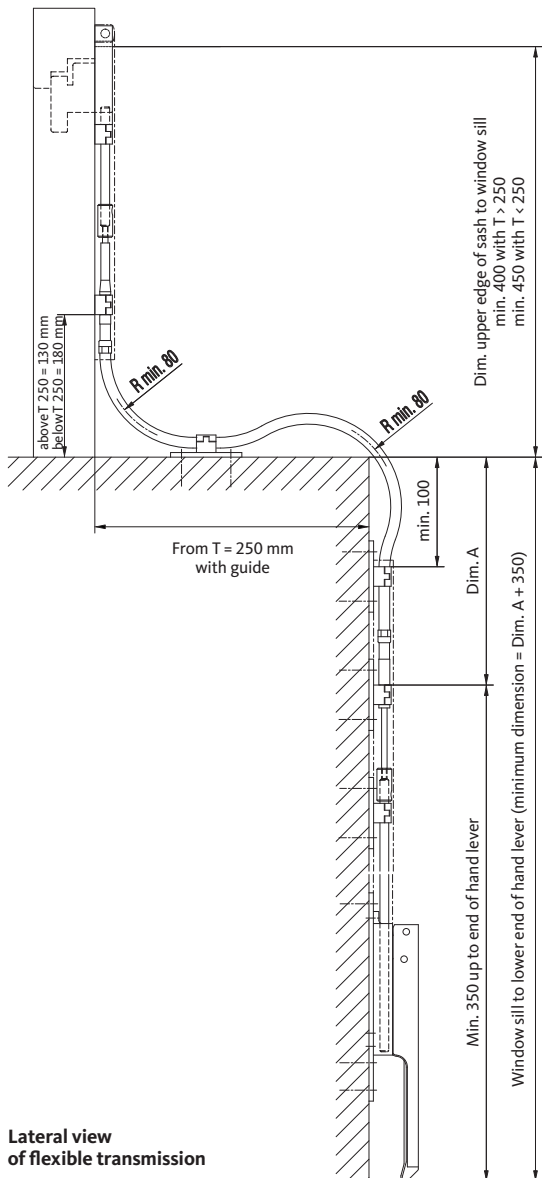
G

VENTUS F 200 fanlight opener

Flexible transmission, special versions



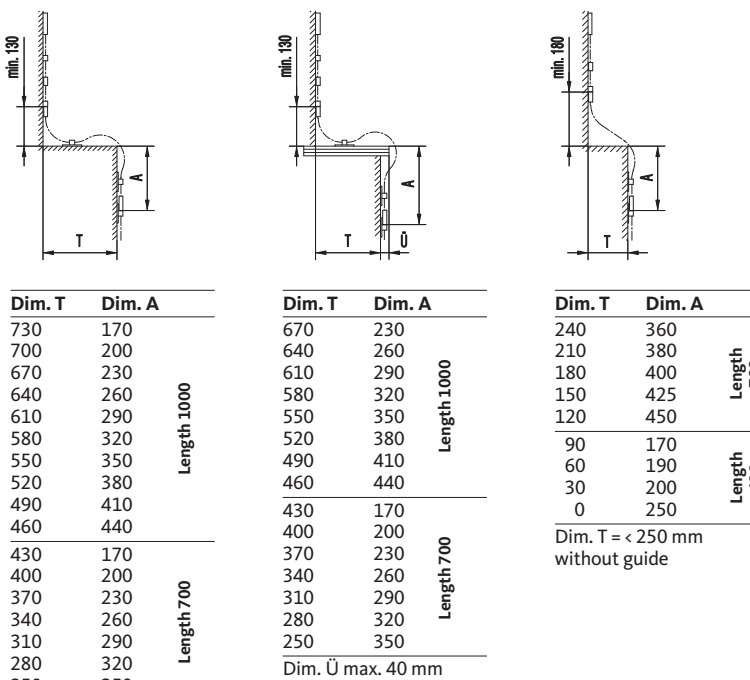
Flexible transmission



Lateral view of flexible transmission

Hardware requirements for flexible transmission

| Qty. | Description | PU | Order no. |
|------|---|----|---------------|
| 1 | Additional flexible transmission set | 1 | K-14312-00-0* |
| 1 | Flexible transmission | | |
| | Size 02, length 200 mm | 1 | 6-29495-02-0* |
| | Size 04, length 400 mm | 1 | 6-29495-04-0* |
| | Size 07, length 700 mm | 1 | 6-29495-07-0* |
| | Size 10, length 1000 mm | 1 | 6-29495-10-0* |
| | Size 13, length 1300 mm | 1 | 6-29495-13-0* |
| | Size 20, length 2000 mm | 1 | 6-29495-20-0* |



| Dim. T | Dim. A | Length |
|--------|--------|--------|
| 730 | 170 | |
| 700 | 200 | |
| 670 | 230 | |
| 640 | 260 | |
| 610 | 290 | |
| 580 | 320 | |
| 550 | 350 | |
| 520 | 380 | |
| 490 | 410 | |
| 460 | 440 | |
| 430 | 170 | 700 |
| 400 | 200 | |
| 370 | 230 | |
| 340 | 260 | |
| 310 | 290 | |
| 280 | 320 | |
| 250 | 350 | |

| Dim. T | Dim. A | Length |
|--------|--------|--------|
| 670 | 230 | |
| 640 | 260 | |
| 610 | 290 | |
| 580 | 320 | |
| 550 | 350 | |
| 520 | 380 | |
| 490 | 410 | 700 |
| 460 | 440 | |
| 430 | 170 | |
| 400 | 200 | 400 |
| 370 | 230 | |
| 340 | 260 | |
| 310 | 290 | |
| 280 | 320 | |
| 250 | 350 | |
| 0 | 250 | |

| Dim. T | Dim. A | Length |
|--------|--------|--------|
| 240 | 360 | |
| 210 | 380 | |
| 180 | 400 | |
| 150 | 425 | |
| 120 | 450 | |
| 90 | 170 | 400 |
| 60 | 190 | |
| 30 | 200 | |
| 0 | 250 | |

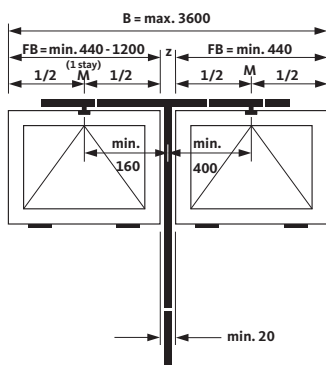
Dim. T = > 250 mm with guide

Dim. U max. 40 mm

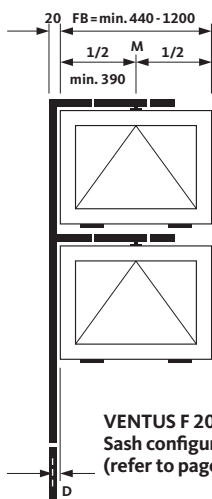
Dim. T = < 250 mm without guide

Minimum dimensions depending on depth of reveal

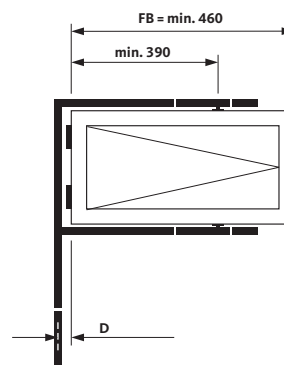
Special versions



VENTUS F 200 fanlight opener Central operation 2n with T-angle (refer to page "Optional parts")



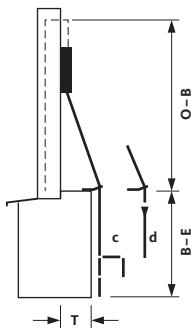
VENTUS F 200 fanlight opener Sash configuration 2ü with T-angle (refer to page "Optional parts")



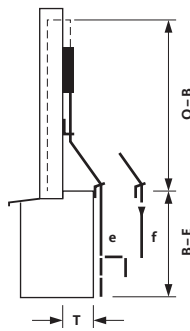
VENTUS F 200 fanlight opener Side-hung sash with T-angle (refer to page "Optional parts")

VENTUS F 200 fanlight opener

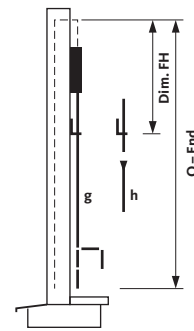
Standard version – minimum dimensions



| O-B min. | | T |
|----------|-------|------|
| Vert. | Corn. | |
| 310 | 200 | 30 |
| 345 | 200 | 60 |
| 380 | 200 | 90 |
| 415 | 210 | 120 |
| 450 | 245 | 150 |
| 485 | 280 | 180 |
| 525 | 315 | 210 |
| 560 | 350 | 240 |
| 595 | 390 | 270 |
| 630 | 425 | 300 |
| B-E min. | | Type |
| Vert. | Corn. | |
| 475 | 475 | c |
| 515 | 515 | d |
| O-E min. | | Type |
| Vert. | Corn. | |
| 715 | 505 | a |
| 765 | 555 | b |



| O-B min. | T |
|----------|------|
| 515 | 30 |
| 565 | 60 |
| 615 | 90 |
| 670 | 120 |
| 720 | 150 |
| 775 | 180 |
| 825 | 210 |
| 875 | 240 |
| 930 | 270 |
| 985 | 300 |
| B-E | Type |
| min. | |
| 475 | e |
| 515 | f |

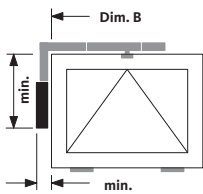


| Dim. FH min. | Type |
|--------------|------|
| 400 | |
| 800 | g |
| 850 | h |

Vertical and corner gear
Types a, b, c and d

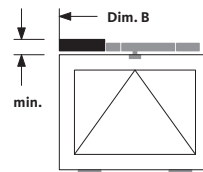
Vertical gear
Types e and f

Vertical gear
Types g and h



| ELTRAL S [1] | |
|-----------------------------|------|
| Required space | 39 |
| Inst. height | 292 |
| Dim. B min. | 400 |
| Dim. B max. | 3600 |
| [1] ELTRAL S 230 L, S 230 E | |

ELTRAL on side

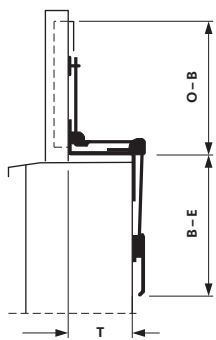


| ELTRAL S [1] 300 | |
|------------------------------|---------------|
| Required space | 39 57 |
| Dim. B min. | 620 650 |
| Dim. B max. | 3600 3600 [2] |
| [1] ELTRAL S 230 L, S 230 E | |
| [2] up to 6000 mm on request | |

ELTRAL at top

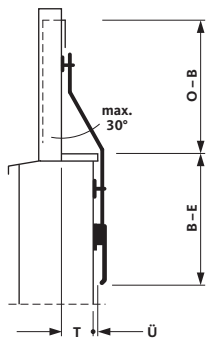
VENTUS F 200 fanlight opener

Made to measure – minimum dimensions



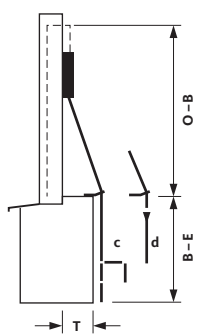
| | |
|---------|------|
| O-B | min. |
| 350 | |
| B-E | min. |
| 470 | |
| T | |
| 150-405 | |

Bell-shaped angle transmission Ø 8
Hand lever on reveal, 90° or cranked.

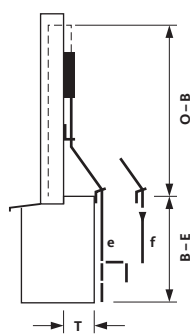


| | | |
|------|-----|------|
| O-B | T+Ü | Ü |
| min. | | max. |
| 210 | 30 | 5 |
| 260 | 60 | 5 |
| 330 | 100 | 5 |

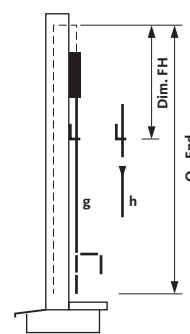
Rod-type transmission
Ø 8 mm
Dim. T + Ü max. 100 mm



| | | |
|----------|-------|-----|
| O-B min. | T | |
| Vert. | Corn. | |
| 310 | 200 | 30 |
| 345 | 200 | 60 |
| 380 | 200 | 90 |
| 415 | 210 | 120 |
| 450 | 245 | 150 |
| 485 | 280 | 180 |
| 525 | 315 | 210 |
| 560 | 350 | 240 |
| 595 | 390 | 270 |
| 630 | 425 | 300 |
| B-E min. | Type | |
| Vert. | Corn. | |
| 475 | 475 | c |
| 515 | 515 | d |
| O-E min. | Type | |
| Vert. | Corn. | |
| 715 | 505 | a |
| 765 | 555 | b |



| | |
|------|------|
| O-B | T |
| min. | |
| 515 | 30 |
| 565 | 60 |
| 615 | 90 |
| 670 | 120 |
| 720 | 150 |
| 775 | 180 |
| 825 | 210 |
| 875 | 240 |
| 930 | 270 |
| 985 | 300 |
| B-E | Type |
| min. | |
| 475 | e |
| 515 | f |

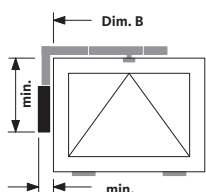


| | |
|---------|------|
| Dim. FH | |
| min. | |
| 400 | |
| O-End | Type |
| min. | |
| 800 | g |
| 850 | h |

Vertical and corner gear
Types a, b, c and d

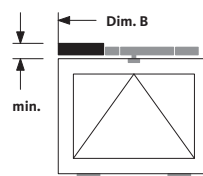
Vertical gear
Types e and f

Vertical gear
Types g and h



| | |
|-----------------------------|-------|
| ELTRAL | S [1] |
| Required space | 39 |
| Inst. height | 292 |
| Dim. B min. | 400 |
| Dim. B max. | 3600 |
| [1] ELTRAL S 230 L, S 230 E | |

ELTRAL on side

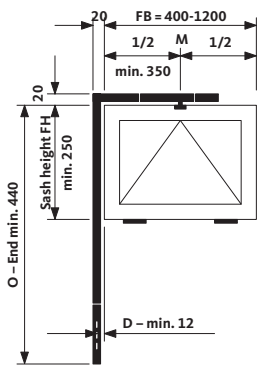


| | | |
|------------------------------|-------|----------|
| ELTRAL | S [1] | 300 |
| Required space | 39 | 57 |
| Dim. B min. | 620 | 650 |
| Dim. B max. | 3600 | 3600 [2] |
| [1] ELTRAL S 230 L, S 230 E | | |
| [2] up to 6000 mm on request | | |

ELTRAL at top

VENTUS F 200 fanlight opener

Individual and total rod length – hand lever

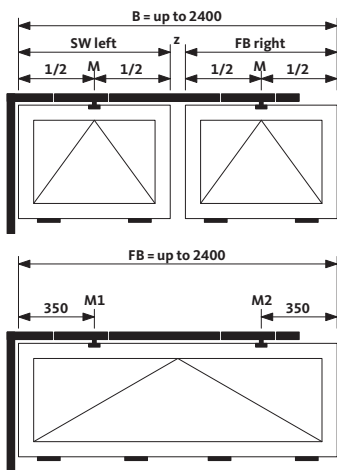


Pattern 1
Hand lever

Rod lengths depending on total sash width FB and Dim O-End

| O-End | Vertical-rod-length | Total sash width dim. FB or B | | | |
|-------|---------------------|-------------------------------|------|------|------|
| | | 700 | 800 | 1000 | 1200 |
| | | Horizontal rod length | | | |
| | | 365 | 415 | 515 | 615 |
| 1000 | 767 | 1132 | 1182 | 1282 | 1382 |
| 1100 | 867 | 1232 | 1282 | 1382 | 1482 |
| 1200 | 967 | 1332 | 1382 | 1482 | 1582 |
| 1300 | 1067 | 1432 | 1482 | 1582 | 1682 |
| 1400 | 1167 | 1532 | 1582 | 1682 | 1782 |
| 1500 | 1267 | 1632 | 1682 | 1782 | 1882 |
| 1600 | 1367 | 1732 | 1782 | 1882 | 1982 |
| 1700 | 1467 | 1832 | 1882 | 1982 | 2082 |
| 1800 | 1567 | 1932 | 1982 | 2082 | 2182 |
| 1900 | 1667 | 2032 | 2082 | 2182 | 2282 |
| 2000 | 1767 | 2132 | 2182 | 2282 | 2382 |

Rod and cover profile size 18 = white, 33 = grey

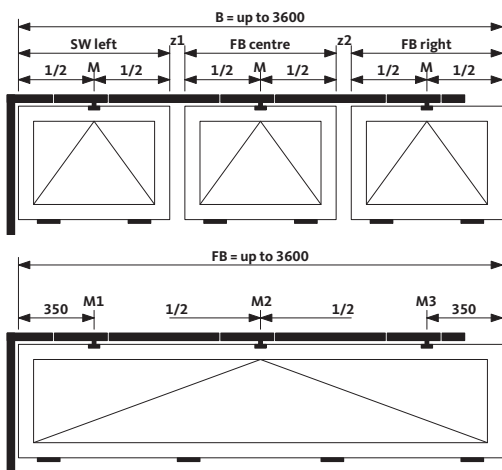


Pattern 2n

Rod lengths depending on total sash width FB and Dim O-End

| O-End | Vertical-rod-length | Total sash width dim. FB or B | | | | | |
|-------|---------------------|-------------------------------|------|------|------|------|------|
| | | 1400 | 1600 | 1800 | 2000 | 2200 | 2400 |
| | | Horizontal rod length | | | | | |
| | | 1065 | 1265 | 1465 | 1665 | 1865 | 2065 |
| 1000 | 767 | 1832 | 2032 | 2232 | 2432 | 2632 | 2832 |
| 1100 | 867 | 1932 | 2132 | 2332 | 2532 | 2732 | 2932 |
| 1200 | 967 | 2032 | 2232 | 2432 | 2632 | 2832 | 3032 |
| 1300 | 1067 | 2132 | 2332 | 2532 | 2732 | 2932 | 3132 |
| 1400 | 1167 | 2232 | 2432 | 2632 | 2832 | 3032 | 3232 |
| 1500 | 1267 | 2332 | 2532 | 2732 | 2932 | 3132 | 3332 |
| 1600 | 1367 | 2432 | 2632 | 2832 | 3032 | 3232 | 3432 |
| 1700 | 1467 | 2532 | 2732 | 2932 | 3132 | 3332 | 3532 |
| 1800 | 1567 | 2632 | 2832 | 3032 | 3232 | 3432 | 3632 |
| 1900 | 1667 | 2732 | 2932 | 3132 | 3332 | 3532 | 3732 |
| 2000 | 1767 | 2832 | 3032 | 3232 | 3432 | 3632 | 3832 |

Rod and cover profile size 33 = grey, 60 = white

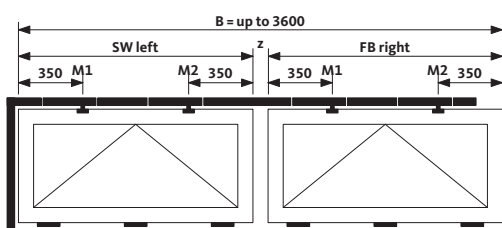


Pattern 3n

Rod lengths depending on total sash width FB and Dim O-End

| O-End | Vertical-rod-length | Total sash width dim. FB or B | | | | | |
|-------|---------------------|-------------------------------|------|------|------|------|------|
| | | 2600 | 2800 | 3000 | 3200 | 3400 | 3600 |
| | | Horizontal rod length | | | | | |
| | | 2265 | 2465 | 2665 | 2865 | 3065 | 3265 |
| 1000 | 767 | 3032 | 3232 | 3432 | 3632 | 3832 | 4032 |
| 1100 | 867 | 3132 | 3332 | 3532 | 3732 | 3932 | 4132 |
| 1200 | 967 | 3232 | 3432 | 3632 | 3832 | 4032 | 4232 |
| 1300 | 1067 | 3332 | 3532 | 3732 | 3932 | 4132 | 4332 |
| 1400 | 1167 | 3432 | 3632 | 3832 | 4032 | 4232 | 4432 |
| 1500 | 1267 | 3532 | 3732 | 3932 | 4132 | 4332 | 4532 |
| 1600 | 1367 | 3632 | 3832 | 4032 | 4232 | 4432 | 4632 |
| 1700 | 1467 | 3732 | 3932 | 4132 | 4332 | 4532 | 4732 |
| 1800 | 1567 | 3832 | 4032 | 4232 | 4432 | 4632 | 4832 |
| 1900 | 1667 | 3932 | 4132 | 4332 | 4532 | 4732 | 4932 |
| 2000 | 1767 | 4032 | 4232 | 4432 | 4632 | 4832 | 5032 |

Rod and cover profile size 33 = grey, 60 = white



Pattern 4n

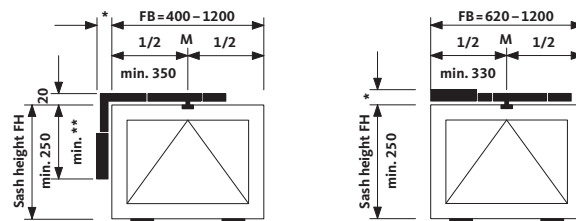
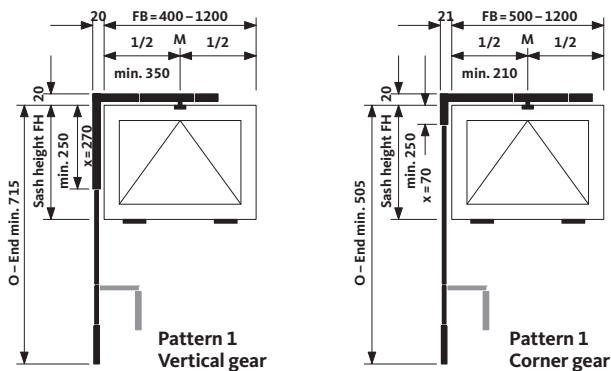
Rod lengths depending on total sash width FB and Dim O-End

| O-End | Vertical-rod-length | Total sash width dim. FB or B | | | | | |
|-------|---------------------|-------------------------------|------|------|------|------|------|
| | | 2600 | 2800 | 3000 | 3200 | 3400 | 3600 |
| | | Horizontal rod length | | | | | |
| | | 2265 | 2465 | 2665 | 2865 | 3065 | 3265 |
| 1000 | 767 | 3032 | 3232 | 3432 | 3632 | 3832 | 4032 |
| 1100 | 867 | 3132 | 3332 | 3532 | 3732 | 3932 | 4132 |
| 1200 | 967 | 3232 | 3432 | 3632 | 3832 | 4032 | 4232 |
| 1300 | 1067 | 3332 | 3532 | 3732 | 3932 | 4132 | 4332 |
| 1400 | 1167 | 3432 | 3632 | 3832 | 4032 | 4232 | 4432 |
| 1500 | 1267 | 3532 | 3732 | 3932 | 4132 | 4332 | 4532 |
| 1600 | 1367 | 3632 | 3832 | 4032 | 4232 | 4432 | 4632 |
| 1700 | 1467 | 3732 | 3932 | 4132 | 4332 | 4532 | 4732 |
| 1800 | 1567 | 3832 | 4032 | 4232 | 4432 | 4632 | 4832 |
| 1900 | 1667 | 3932 | 4132 | 4332 | 4532 | 4732 | 4932 |
| 2000 | 1767 | 4032 | 4232 | 4432 | 4632 | 4832 | 5032 |

Rod and cover profile size 33 = grey, 60 = white

VENTUS F 200 fanlight opener

Horizontal rod length – vertical and corner gear, ELTRAL on side and at top



Pattern 1
ELTRAL on side, min dimensions

| ELTRAL S [1] | |
|--------------|------|
| * | 39 |
| ** | 292 |
| B max. | 3600 |

Pattern 1
ELTRAL at top, min dimensions

| ELTRAL S [1] | 300 |
|--------------|-----------|
| * | 39 57 |
| B min. | 620 650 |
| B max. | 3600 3600 |

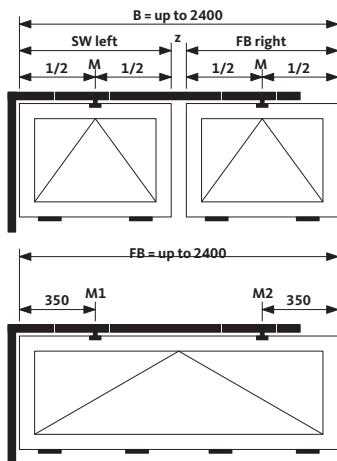
Horizontal rod length depending on total sash width

| Drive | Total sash width dim. FB or B | | | |
|---------------|-------------------------------|-----|------|------|
| | 700 | 800 | 1000 | 1200 |
| Vertical gear | 365 | 415 | 515 | 615 |
| Corner gear | 486 | 536 | 636 | 736 |

Horizontal rod length depending on total sash width

| Drive | Total sash width dim. FB or B | | | |
|----------------------|-------------------------------|-----|------|------|
| | 700 | 800 | 1000 | 1200 |
| ELTRAL S on side [1] | 530 | 580 | 680 | 780 |
| ELTRAL S at top [1] | 372 | 422 | 522 | 622 |
| ELTRAL 300 at top | 327 | 377 | 477 | 577 |

[1] ELTRAL S 230 L, S 230 E

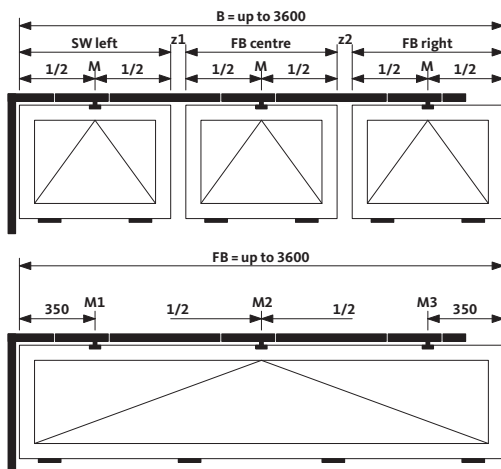


Pattern 2n

Horizontal rod length depending on total sash width

| Drive | Total sash width dim. FB or B | | | | | |
|----------------------|-------------------------------|------|------|------|------|------|
| | 1400 | 1600 | 1800 | 2000 | 2200 | 2400 |
| Vertical gear | 1065 | 1265 | 1465 | 1665 | 1865 | 2065 |
| Corner gear | 1186 | 1386 | 1586 | 1786 | 1986 | 2186 |
| ELTRAL S on side [1] | 1065 | 1265 | 1465 | 1665 | 1865 | 2065 |
| ELTRAL S at top [1] | 1072 | 1272 | 1472 | 1672 | 1872 | 2072 |
| ELTRAL 300 at top | 1027 | 1227 | 1427 | 1627 | 1827 | 2027 |

[1] ELTRAL S 230 L, S 230 E

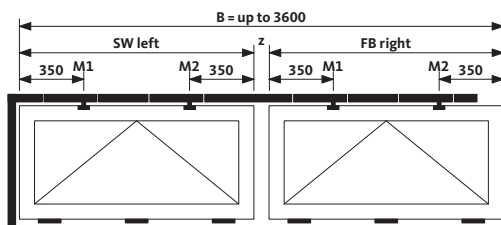


Pattern 3n

Horizontal rod length depending on total sash width

| Drive | Total sash width dim. FB or B | | | | | |
|----------------------|-------------------------------|------|------|------|------|------|
| | 2600 | 2800 | 3000 | 3200 | 3400 | 3600 |
| Vertical gear | 2265 | 2465 | 2665 | 2865 | 3065 | 3265 |
| Corner gear | 2386 | 2586 | 2786 | 2986 | 3186 | 3386 |
| ELTRAL S on side [1] | 2265 | 2465 | 2665 | 2865 | 3065 | 3265 |
| ELTRAL S at top [1] | 2272 | 2472 | 2672 | 2872 | 3072 | 3272 |
| ELTRAL 300 at top | 2227 | 2427 | 2627 | 2827 | 3027 | 3227 |

[1] ELTRAL S 230 L, S 230 E



Pattern 4n

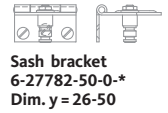
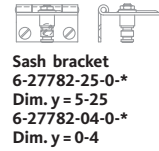
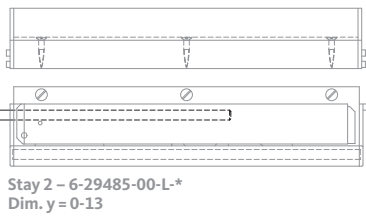
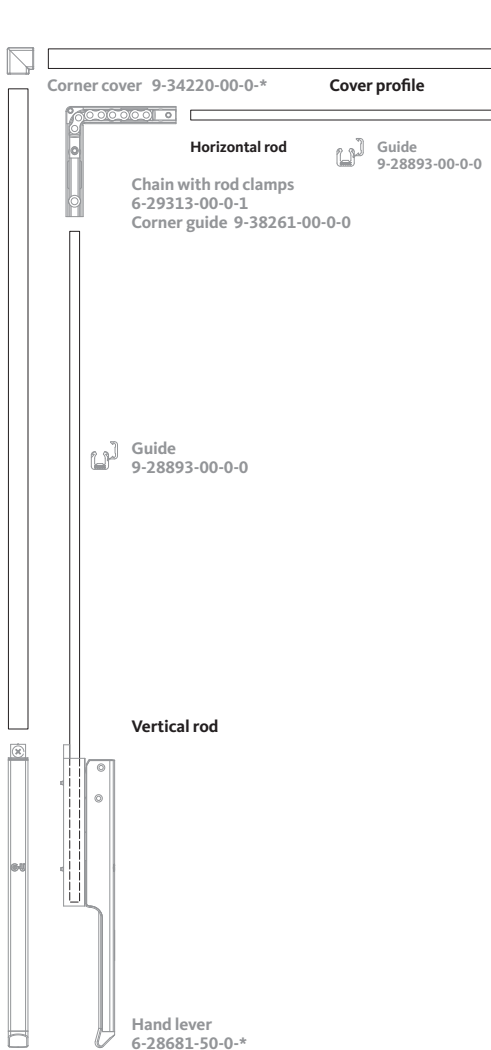
Horizontal rod length depending on total sash width

| Drive | Total sash width dim. FB or B | | | | | |
|----------------------|-------------------------------|------|------|------|------|------|
| | 2600 | 2800 | 3000 | 3200 | 3400 | 3600 |
| Vertical gear | 2265 | 2465 | 2665 | 2865 | 3065 | 3265 |
| Corner gear | 2386 | 2586 | 2786 | 2986 | 3186 | 3386 |
| ELTRAL S on side [1] | 2265 | 2465 | 2665 | 2865 | 3065 | 3265 |
| ELTRAL S at top [1] | 2272 | 2472 | 2672 | 2872 | 3072 | 3272 |
| ELTRAL 300 at top | 2227 | 2427 | 2627 | 2827 | 3027 | 3227 |

[1] ELTRAL S 230 L, S 230 E

VENTUS F 200 fanlight opener

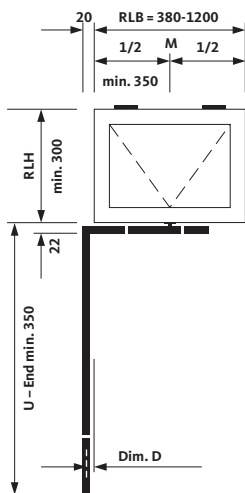
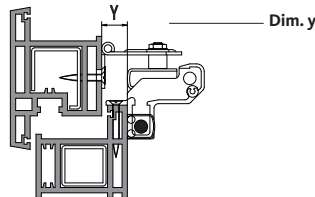
Standard version – top-hung, outward-opening sash – hand lever



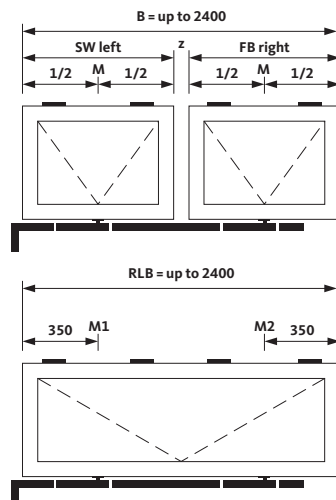
Hardware requirements depending on number of stays for patterns 1 to 3n Opener with hand lever

| Qty. | 1 | 2n | 3n | Description | PU | Order no. |
|------|---|----|----|---|----|----------------|
| 1 | 1 | 1 | 1 | VENTUS F 200 basic hardware set for top-hung sash with hand lever, outward-opening | | |
| | | | | Dim. y = 0- 4 mm [1] | 1 | K-15168-00-L* |
| | | | | Dim. y = 5-13 mm [1] | 1 | K-15165-00-L* |
| | | | | Dim. y = 14-25 mm [1] | 1 | K-15164-25-L* |
| | | | | Dim. y = 26-50 mm [1] | 1 | K-15164-50-L* |
| | | | | Dim. y = 51-75 mm [1] | 1 | K-15164-75-L* |
| | 1 | 2 | | VENTUS F 200 opening stay set for top-hung sash | | |
| | | | | Dim. y = 0- 4 mm [1] | 1 | K-15169-00-L* |
| | | | | Dim. y = 5-13 mm [1] | 1 | K-15167-00-L* |
| | | | | Dim. y = 14-25 mm [1] | 1 | K-15166-25-L* |
| | | | | Dim. y = 26-50 mm [1] | 1 | K-15166-50-L* |
| | | | | Dim. y = 51-75 mm [1] | 1 | K-15166-75-L* |
| 1 | 1 | 1 | | Vertical and horizontal rod to be cropped from: | | |
| | | | | Rod Ø 8, size 18 – length 1850 mm | 10 | 9-25476-18-0-1 |
| | | | | Rod Ø 8, size 33 – length 3300 mm | 10 | 9-25476-33-0-1 |
| | | | | alternatively: Rod Ø 8, size 60 – 6000 mm stock length | 10 | 9-25476-60-0-1 |
| 1 | 1 | 1 | | Cover profile – to be cropped from: | | |
| | | | | Cover profile, size 18 – length 1800 mm | 10 | 9-33444-18-0-* |
| | | | | Cover profile, size 33 – length 3050 mm | 10 | 9-33444-33-0-* |
| | | | | alternatively: Cover profile, size 60 – 6000 mm stock length | 10 | 9-33444-60-0-* |

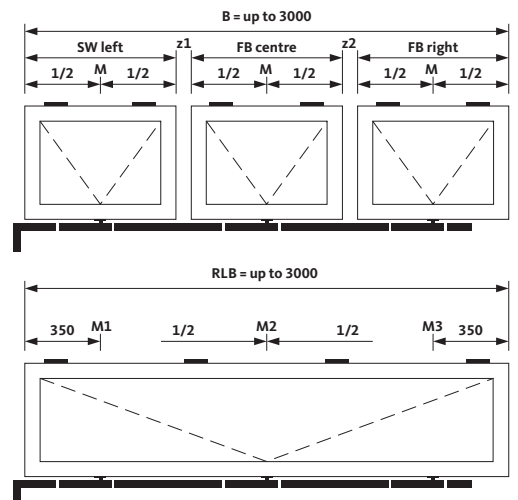
[1] = convertible from LH to RH actuation – installation drawing 0-43818



Pattern 1 – hand lever



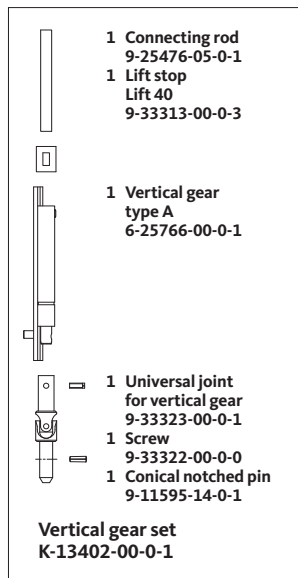
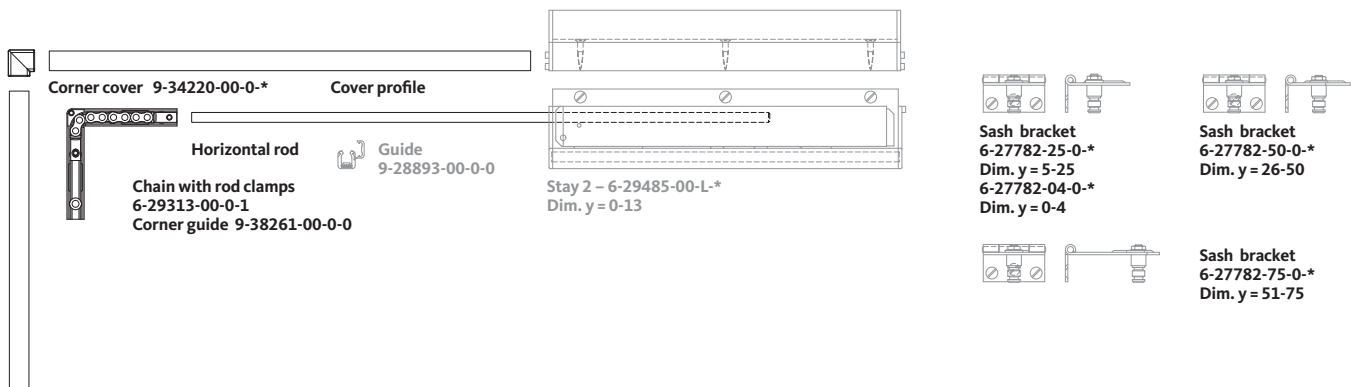
Pattern 2n



Pattern 3n

VENTUS F 200 fanlight opener

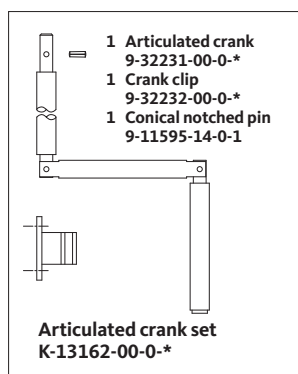
Standard version – top-hung, outward-opening sash – vertical gear



Hardware requirements depending on number of stays for patterns 1 to 3n Opener with vertical gear

| Qty. | 1 | 2n | 3n | Description | PU | Order no. |
|-----------------------|---|----|----|--|-----|----------------|
| 1 | 2 | 3 | | VENTUS F 200 opening stay set for top-hung sash | | |
| | | | | Dim. y = 0- 4 mm [1] | 1 | K-15169-00-L* |
| | | | | Dim. y = 5-13 mm [1] | 1 | K-15167-00-L* |
| | | | | Dim. y = 14-25 mm [1] | 1 | K-15166-25-L* |
| | | | | Dim. y = 26-50 mm [1] | 1 | K-15166-50-L* |
| | | | | Dim. y = 51-75 mm [1] | 1 | K-15166-75-L* |
| 1 | 1 | 1 | | Chain with rod clamps | 1 | 6-29313-00-0-1 |
| 1 | 1 | 1 | | Corner guide | 1 | 9-38261-00-0-0 |
| 1 | 1 | 1 | | Corner cover | 100 | 9-34220-00-0* |
| 1 | 1 | 1 | | Horizontal rod – to be cropped from: | | |
| | | | | Rod Ø 8, size 06 – length 600 mm | 10 | 9-25476-06-0-1 |
| | | | | Rod Ø 8, size 18 – length 1850 mm | 10 | 9-25476-18-0-1 |
| | | | | Rod Ø 8, size 33 – length 3300 mm | 10 | 9-25476-33-0-1 |
| | | | | Rod Ø 8, size 60 – 6000 mm stock length | 10 | 9-25476-60-0-1 |
| alternatively: | | | | | | |
| 1 | 1 | 1 | | Cover profile – to be cropped from: | | |
| | | | | Cover profile, size 06 – length 800 mm | 10 | 9-33444-06-0* |
| | | | | Cover profile, size 18 – length 1800 mm | 10 | 9-33444-18-0* |
| | | | | Cover profile, size 33 – length 3050 mm | 10 | 9-33444-33-0* |
| | | | | Cover profile, size 60 – 6000 mm stock length | 10 | 9-33444-60-0* |
| alternatively: | | | | | | |
| 1 | 1 | 1 | | Vertical gear set, type A | 1 | K-13402-00-0-1 |

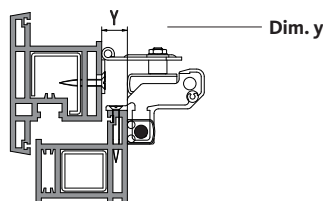
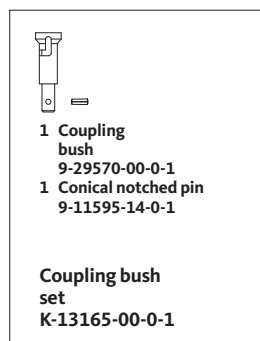
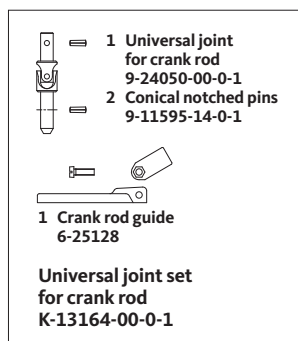
[1] = convertible from LH to RH actuation



Hardware requirements for articulated crank and accessories for types a to h with vertical and corner gear

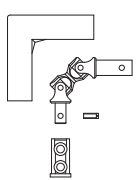
| Type | a | b | c | d | e | f | g | h | Description | PU | Order no. |
|------|---|---|---|---|---|---|---|---|--|----|----------------|
| 1 | 1 | 1 | 1 | 1 | 1 | 1 | 1 | 1 | Crank rod (not illustrated) – to be cropped from: | | |
| | | | | | | | | | Aluminium tube, 5000 mm stock length | 1 | 9-32230-50-0* |
| 1 | 1 | 1 | 1 | 1 | 1 | 1 | 1 | 1 | Articulated crank set | 1 | K-13162-00-0* |
| | | | | | | | | | Universal joint set for crank rod | 1 | K-13164-00-0-1 |
| 1 | 1 | 1 | 1 | 1 | 1 | 1 | 1 | 1 | Coupling bush set | 1 | K-13165-00-0-1 |

Installation drawing 0-43818



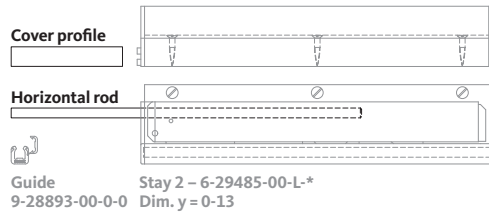
VENTUS F 200 fanlight opener

Standard version – top-hung, outward-opening sash – corner gear

- 1 Cover 9-33337-00-0-*
- 1 Double universal joint 9-33333-00-0-1
- 1 Bearing 9-33335-00-0-0
- 1 Screw 9-33322-00-0-0

**Additional parts set
Corner gear
K-13403-00-0-***




Cover profile

Horizontal rod

Guide 9-28893-00-0-0

Stay 2 – 6-29485-00-L-*
Dim. y = 0-13




Sash bracket
6-27782-25-0-*

Dim. y = 5-25

6-27782-04-0-*

Dim. y = 0-4




Sash bracket
6-27782-50-0-*

Dim. y = 26-50

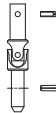


Sash bracket
6-27782-75-0-*

Dim. y = 51-75



- 1 Vertical gear type A 6-25766-00-0-1
- 1 Lift stop Lift 40 9-33313-00-0-3
- 1 Connecting rod 9-25476-05-0-1



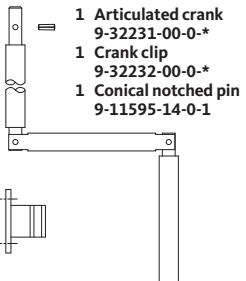
- 1 Universal joint for vertical gear 9-33323-00-0-1
- 1 Screw 9-33322-00-0-0
- 1 Conical notched pin 9-11595-14-0-1

**Vertical gear set
K-13402-00-0-1**

Hardware requirements depending on number of stays for patterns 1 to 3n Opener with corner gear

| Qty. | 2n | 3n | Description | PU | Order no. |
|-----------------------|----|----|--|----|----------------|
| 1 | 2 | 3 | VENTUS F 200 opening stay set for top-hung sash | | |
| | | | Dim. y = 0- 4 mm [1] | 1 | K-15169-00-L-* |
| | | | Dim. y = 5-13 mm [1] | 1 | K-15167-00-L-* |
| | | | Dim. y = 14-25 mm [1] | 1 | K-15166-25-L-* |
| | | | Dim. y = 26-50 mm [1] | 1 | K-15166-50-L-* |
| | | | Dim. y = 51-75 mm [1] | 1 | K-15166-75-L-* |
| 1 | 1 | 1 | Horizontal rod – to be cropped from: | | |
| | | | Rod Ø 8, size 06 – length 600 mm | 10 | 9-25476-06-0-1 |
| | | | Rod Ø 8, size 18 – length 1850 mm | 10 | 9-25476-18-0-1 |
| | | | Rod Ø 8, size 33 – length 3300 mm | 10 | 9-25476-33-0-1 |
| | | | Rod Ø 8, size 60 – 6000 mm stock length | 10 | 9-25476-60-0-1 |
| alternatively: | | | | | |
| 1 | 1 | 1 | Cover profile – to be cropped from: | | |
| | | | Cover profile, size 06 – length 800 mm | 10 | 9-33444-06-0-* |
| | | | Cover profile, size 18 – length 1800 mm | 10 | 9-33444-18-0-* |
| | | | Cover profile, size 33 – length 3050 mm | 10 | 9-33444-33-0-* |
| | | | Cover profile, size 60 – 6000 mm stock length | 10 | 9-33444-60-0-* |
| alternatively: | | | | | |
| 1 | 1 | 1 | Vertical gear set, type A | 1 | K-13402-00-0-1 |
| 1 | 1 | 1 | Additional parts set for corner gear, type A | 1 | K-13403-00-0-* |

[1] = convertible from LH to RH actuation



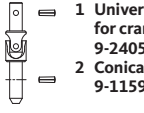
- 1 Articulated crank 9-32231-00-0-*
- 1 Crank clip 9-32232-00-0-*
- 1 Conical notched pin 9-11595-14-0-1

**Articulated crank set
K-13162-00-0-***


Hardware requirements for articulated crank and accessories for types a to h with vertical and corner gear

| Type | Description | PU | Order no. |
|-----------------|--|----|----------------|
| a b c d e f g h | | | |
| 1 1 1 1 1 1 1 1 | Crank rod (not illustrated) – to be cropped from: Aluminium tube, 5000 mm stock length | 1 | 9-32230-50-0-* |
| 1 1 1 1 1 1 1 1 | Articulated crank set | 1 | K-13162-00-0-* |
| 1 1 2 2 1 1 | Universal joint set for crank rod | 1 | K-13164-00-0-1 |
| 1 1 1 1 1 | Coupling bush set | 1 | K-13165-00-0-1 |

Installation drawing 0-43818

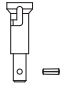


- 1 Universal joint for crank rod 9-24050-00-0-1
- 2 Conical notched pins 9-11595-14-0-1



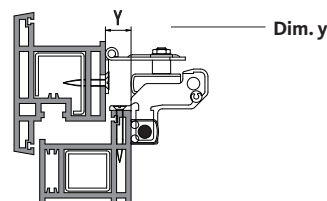
- 1 Crank rod guide 6-25128

**Universal joint set for crank rod
K-13164-00-0-1**



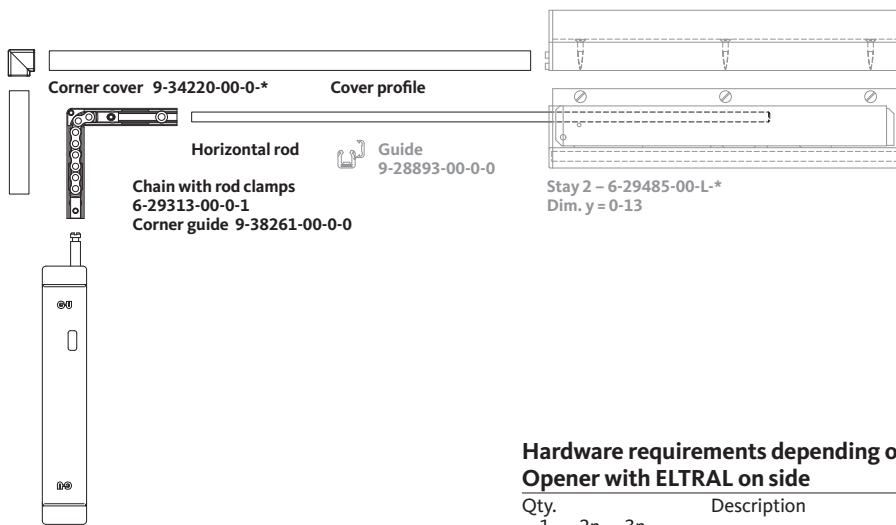
- 1 Coupling bush 9-29570-00-0-1
- 1 Conical notched pin 9-11595-14-0-1

**Coupling bush set
K-13165-00-0-1**

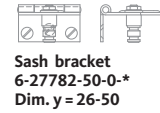
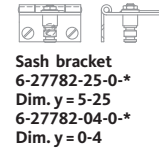


VENTUS F 200 fanlight opener

Standard version – top-hung, outward-opening sash – ELTRAL installed on side



ELTRAL S 230 L, S 230 E
Connecting rod
9-34764-00-0-1

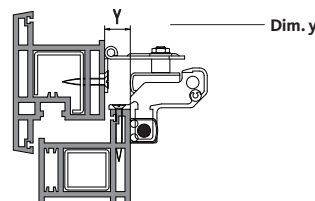


Sash bracket
6-27782-75-0*
Dim. y = 51-75

Hardware requirements depending on number of stays for patterns 1 to 3n Opener with ELTRAL on side

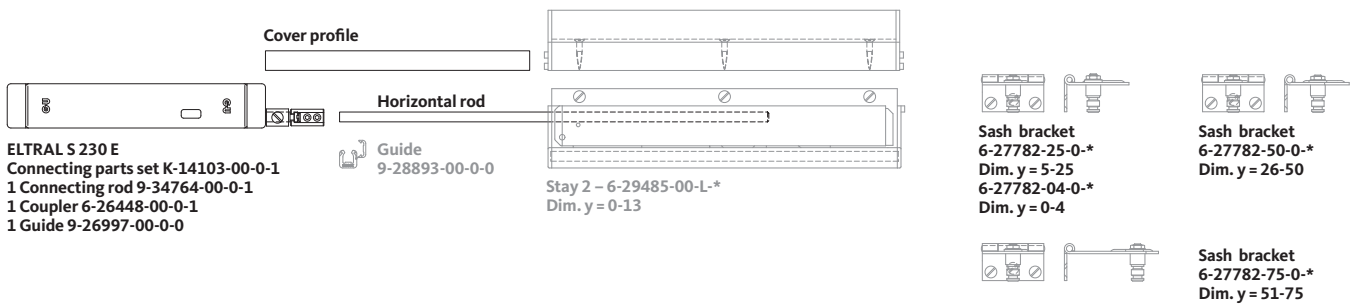
| Qty. | | Description | PU | Order no. |
|------|----|--|-----|----------------|
| 1 | 2n | 3n | | |
| 1 | 2 | 3 | | |
| | | VENTUS F 200 opening stay set for top-hung sash | | |
| | | Dim. y = 0- 4 mm [1] | 1 | K-15169-00-L-* |
| | | Dim. y = 5-13 mm [1] | 1 | K-15167-00-L-* |
| | | Dim. y = 14-25 mm [1] | 1 | K-15166-25-L-* |
| | | Dim. y = 26-50 mm [1] | 1 | K-15166-50-L-* |
| | | Dim. y = 51-75 mm [1] | 1 | K-15166-75-L-* |
| 1 | 1 | 1 | 1 | 6-29313-00-0-1 |
| 1 | 1 | 1 | 1 | 9-38261-00-0-0 |
| 1 | 1 | 1 | 100 | 9-34220-00-0-* |
| 1 | 1 | 1 | | |
| | | Horizontal rod – to be cropped from: | | |
| | | Rod Ø 8, size 06 – length 600 mm | 10 | 9-25476-06-0-1 |
| | | Rod Ø 8, size 18 – length 1850 mm | 10 | 9-25476-18-0-1 |
| | | Rod Ø 8, size 33 – length 3300 mm | 10 | 9-25476-33-0-1 |
| | | Rod Ø 8, size 60 – 6000 mm stock length | 10 | 9-25476-60-0-1 |
| | | alternatively: | | |
| 1 | 1 | 1 | | |
| | | Cover profile – to be cropped from: | | |
| | | Cover profile, size 06 – length 800 mm | 10 | 9-33444-06-0-* |
| | | Cover profile, size 18 – length 1800 mm | 10 | 9-33444-18-0-* |
| | | Cover profile, size 33 – length 3050 mm | 10 | 9-33444-33-0-* |
| | | Cover profile, size 60 – 6000 mm stock length | 10 | 9-33444-60-0-* |
| | | alternatively: | | |
| 1 | 1 | 1 | 1 | 6-31730-00-0-* |
| | | ELTRAL S 230 L electric drive | | |
| | | alternatively: | | |
| | | ELTRAL S 230 E electric drive | 1 | 6-31732-00-0-* |
| 1 | 1 | 1 | 1 | 9-34764-00-0-1 |
| | | Connecting rod, Ø 8 mm, B = 400-3000 | | |

[1] = convertible from LH to RH actuation – installation drawing 0-43831



VENTUS F 200 fanlight opener

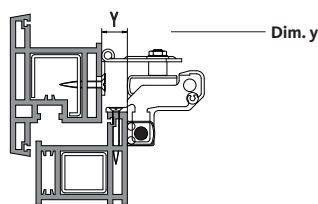
Standard version – top-hung, outward-opening sash – ELTRAL installed at top



Hardware requirements depending on number of stays for patterns 1 to 3n Opener with ELTRAL at top

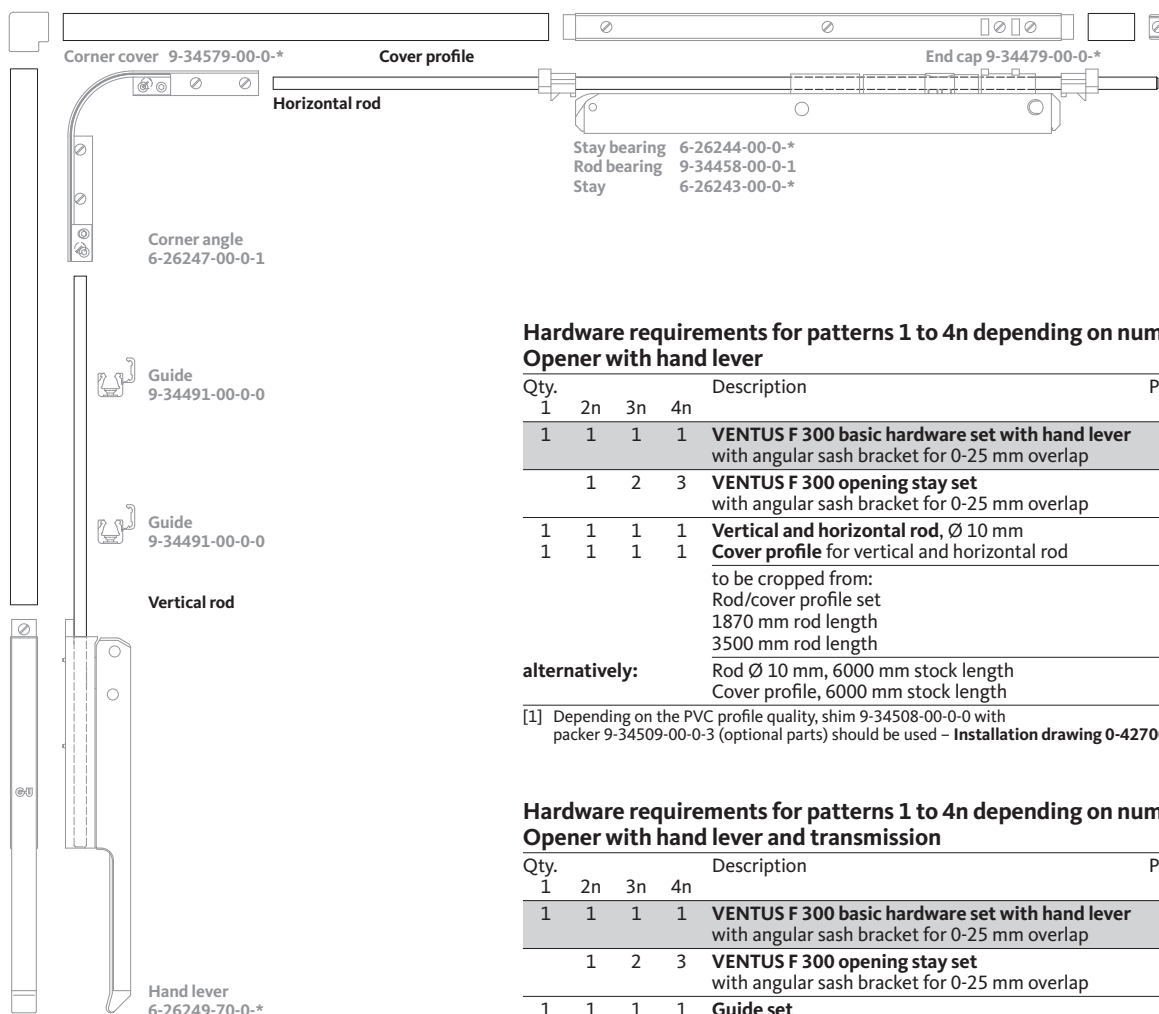
| Qty. | 1 | 2n | 3n | Description | PU | Order no. |
|-----------------------|---|----|----|--|----|----------------|
| 1 | 2 | 3 | | VENTUS F 200 opening stay set for top-hung sash | | |
| | | | | Dim. y = 0- 4 mm [1] | 1 | K-15169-00-L-* |
| | | | | Dim. y = 5-13 mm [1] | 1 | K-15167-00-L-* |
| | | | | Dim. y = 14-25 mm [1] | 1 | K-15166-25-L-* |
| | | | | Dim. y = 26-50 mm [1] | 1 | K-15166-50-L-* |
| | | | | Dim. y = 51-75 mm [1] | 1 | K-15166-75-L-* |
| 1 | 1 | 1 | | Horizontal rod – to be cropped from: | | |
| | | | | Rod Ø 8, size 06 – length 600 mm | 10 | 9-25476-06-0-1 |
| | | | | Rod Ø 8, size 18 – length 1850 mm | 10 | 9-25476-18-0-1 |
| | | | | Rod Ø 8, size 33 – length 3300 mm | 10 | 9-25476-33-0-1 |
| | | | | Rod Ø 8, size 60 – 6000 mm stock length | 10 | 9-25476-60-0-1 |
| alternatively: | | | | | | |
| 1 | 1 | 1 | | Cover profile – to be cropped from: | | |
| | | | | Cover profile, size 06 – length 800 mm | 10 | 9-33444-06-0-* |
| | | | | Cover profile, size 18 – length 1800 mm | 10 | 9-33444-18-0-* |
| | | | | Cover profile, size 33 – length 3050 mm | 10 | 9-33444-33-0-* |
| | | | | Cover profile, size 60 – 6000 mm stock length | 10 | 9-33444-60-0-* |
| alternatively: | | | | | | |
| 1 | 1 | 1 | 1 | ELTRAL S 230 L electric drive | 1 | 6-31730-00-0-* |
| alternatively: | | | | ELTRAL S 230 E electric drive | 1 | 6-31732-00-0-* |
| 1 | 1 | 1 | 1 | Connecting parts set, B = 620-3000 | 1 | K-14103-00-0-1 |

[1] = convertible from LH to RH actuation – installation drawing 0-43831



VENTUS F 300 fanlight opener

Standard version – hand lever and transmission



Hardware requirements for patterns 1 to 4n depending on number of stays Opener with hand lever

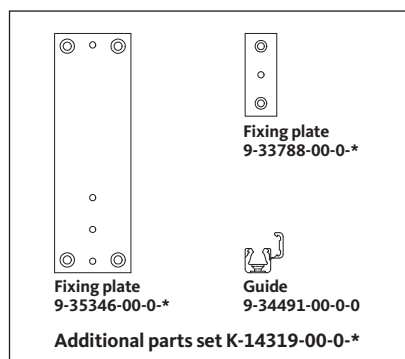
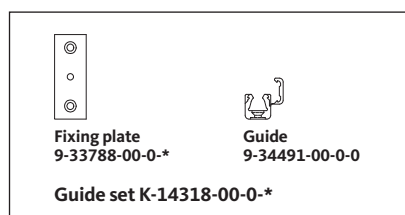
| Qty. | 1 | 2n | 3n | 4n | Description | PU | Order no. |
|-----------------------|---|----|----|----|---|----|----------------|
| 1 | 1 | 1 | 1 | 1 | VENTUS F 300 basic hardware set with hand lever with angular sash bracket for 0-25 mm overlap | 1 | K-13998-00-0-* |
| | | 1 | 2 | 3 | VENTUS F 300 opening stay set with angular sash bracket for 0-25 mm overlap | 1 | K-13999-00-0-* |
| 1 | 1 | 1 | 1 | 1 | Vertical and horizontal rod, Ø 10 mm Cover profile for vertical and horizontal rod | | |
| | | | | | to be cropped from: Rod/cover profile set 1870 mm rod length | 1 | K-14001-18-0-* |
| | | | | | 3500 mm rod length | 1 | K-14001-33-0-* |
| alternatively: | | | | | Rod Ø 10 mm, 6000 mm stock length | 1 | 9-23055-60-0-1 |
| | | | | | Cover profile, 6000 mm stock length | 1 | 9-34497-60-0-* |

[1] Depending on the PVC profile quality, shim 9-34508-00-0-0 with packer 9-34509-00-0-3 (optional parts) should be used – **Installation drawing 0-42700**

Hardware requirements for patterns 1 to 4n depending on number of stays Opener with hand lever and transmission

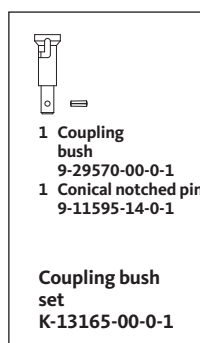
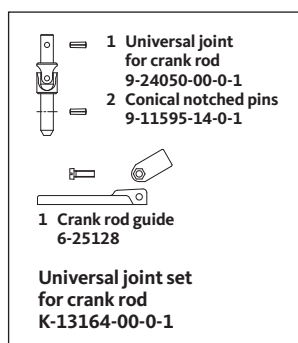
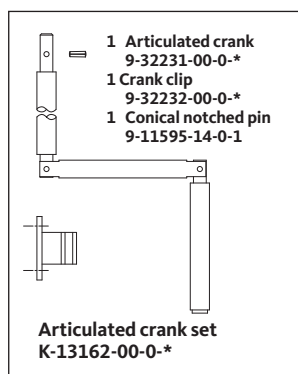
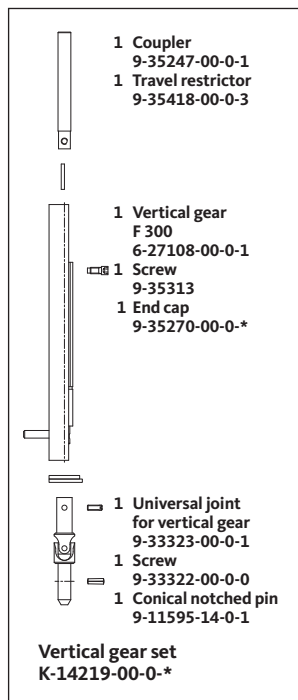
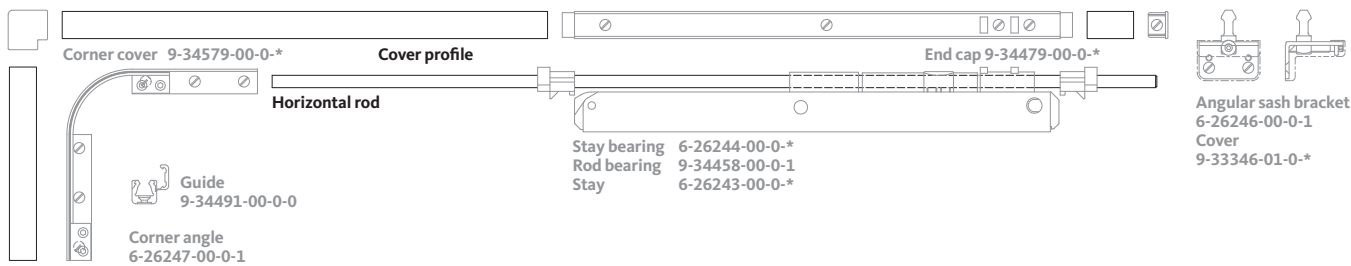
| Qty. | 1 | 2n | 3n | 4n | Description | PU | Order no. |
|-----------------------|---|----|----|----|---|----|----------------|
| 1 | 1 | 1 | 1 | 1 | VENTUS F 300 basic hardware set with hand lever with angular sash bracket for 0-25 mm overlap | 1 | K-13998-00-0-* |
| | | 1 | 2 | 3 | VENTUS F 300 opening stay set with angular sash bracket for 0-25 mm overlap | 1 | K-13999-00-0-* |
| 1 | 1 | 1 | 1 | 1 | Guide set for rod-type transmission Ø 10 Max. offset of rod 130 mm | 1 | K-14318-00-0-* |
| 1 | 1 | 1 | 1 | 1 | Additional parts set for rod-type transmission Ø 10 | 1 | K-14319-00-0-* |
| 1 | 1 | 1 | 1 | 1 | Vertical rod, Ø 10 mm to be cropped from: Rod, Ø 10 mm, length 6000 mm | 1 | 9-23055-60-0-1 |
| 1 | 1 | 1 | 1 | 1 | Horizontal rod, Ø 10 mm Cover profile for horizontal rod | | |
| | | | | | to be cropped from: Rod/cover profile set 1870 mm rod length | 1 | K-14001-18-0-* |
| | | | | | 3500 mm rod length | 1 | K-14001-33-0-* |
| alternatively: | | | | | Rod Ø 10 mm, 6000 mm stock length | 1 | 9-23055-60-0-1 |
| | | | | | Cover profile, 6000 mm stock length | 1 | 9-34497-60-0-* |

[1] Depending on the PVC profile quality, shim 9-34508-00-0-0 with packer 9-34509-00-0-3 (optional parts) should be used – **Installation drawing 0-42700**



VENTUS F 300 fanlight opener

Standard version – vertical gear



Hardware requirements depending on number of stays for patterns 1 to 4n Opener with vertical gear

| Qty. | 1 | 2n | 3n | 4n | Description | PU | Order no. |
|------|---|----|----|----|---|----|----------------|
| 1 | 1 | 1 | 1 | 1 | VENTUS F 300 basic hardware set w/o hand lever with angular sash bracket for 0-25 mm overlap | 1 | K-14320-00-0-* |
| | | 1 | 2 | 3 | VENTUS F 300 opening stay set with angular sash bracket for 0-25 mm overlap | 1 | K-13999-00-0-* |
| 1 | 1 | 1 | 1 | 1 | Horizontal rod, Ø 10 mm | | |
| 1 | 1 | 1 | 1 | 1 | Cover profile for horizontal rod | | |
| | | | | | to be cropped from: | | |
| | | | | | Rod/cover profile set | | |
| | | | | | 600 mm rod length | 1 | K-14001-06-0-* |
| | | | | | 1870 mm rod length | 1 | K-14001-18-0-* |
| | | | | | 3500 mm rod length | 1 | K-14001-33-0-* |
| | | | | | alternatively: | | |
| | | | | | Rod Ø 10 mm, 6000 mm stock length | 1 | 9-23055-60-0-1 |
| | | | | | Cover profile, 6000 mm stock length | 1 | 9-34497-60-0-* |
| 1 | 1 | 1 | 1 | 1 | F 300 vertical gear set | 1 | K-14219-00-0-* |

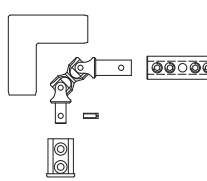
[1] Depending on the PVC profile quality, shim 9-34508-00-0-0 with packer 9-34509-00-0-3 (optional parts) should be used – **Installation drawing 0-42700**

Hardware requirements for articulated crank and accessories for types a to h with vertical and corner gear

| Type | a | b | c | d | e | f | g | h | Description | PU | Order no. |
|------|---|---|---|---|---|---|---|---|--|----|----------------|
| | 1 | 1 | 1 | 1 | 1 | 1 | 1 | 1 | Crank rod – to be cropped from: Aluminium tube, 5000 mm stock length | 1 | 9-32230-50-0-* |
| | 1 | 1 | 1 | 1 | 1 | 1 | 1 | 1 | Articulated crank set | 1 | K-13162-00-0-* |
| | | | 1 | 1 | 2 | 2 | 1 | 1 | Universal joint set for crank rod | 1 | K-13164-00-0-1 |
| | 1 | 1 | 1 | 1 | 1 | 1 | 1 | 1 | Coupling bush set | 1 | K-13165-00-0-1 |

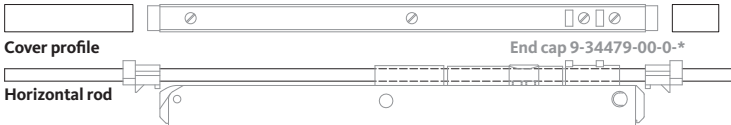
VENTUS F 300 fanlight opener

Standard version – with corner gear

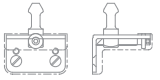
- 1 Cover 9-35357-00-0-*
- 1 Double universal joint 9-33333-00-0-1
- 1 Bush 6-26813-00-0-1
- 1 Bearing 9-35333-00-0-*
- 1 Screw 9-33322-00-0-0

**Additional parts set
Corner gear
K-14282-00-0-***

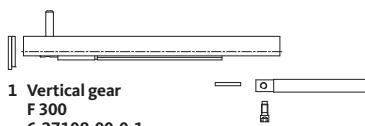


Cover profile
Horizontal rod

- End cap 9-34479-00-0-*
- Stay bearing 6-26244-00-0-*
- Rod bearing 9-34458-00-0-1
- Stay 6-26243-00-0-*
- Guide 9-34491-00-0-0



**Angular sash bracket
6-26246-00-0-1
Cover
9-33346-01-0-***



- 1 Vertical gear F 300 6-27108-00-0-1
- 1 Screw 9-35313
- 1 End cap 9-35270-00-0-*
- 1 Travel restrictor 9-35418-00-0-3
- 1 Coupler 9-35247-00-0-1
- 1 Universal joint for vertical gear 9-33323-00-0-1
- 1 Screw 9-33322-00-0-0
- 1 Conical notched pin 9-11595-14-0-1

**Vertical gear set
K-14219-00-0-***

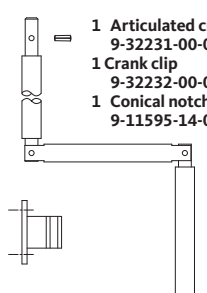
Hardware requirements depending on number of stays for patterns 1 to 4n Opener with corner gear

| Qty. | 1 | 2n | 3n | 4n | Description | PU | Order no. |
|----------------|---|----|----|----|--|-------------|--|
| 1 | 2 | 3 | 4 | | VENTUS F 300 opening stay set with angular sash bracket for 0-25 mm overlap | 1 | K-13999-00-0-* |
| 1 | 1 | 1 | 1 | | End cap | 1 | 9-34479-00-0-* |
| 1 | 1 | 1 | 1 | | Horizontal rod, Ø 10 mm Cover profile for horizontal rod to be cropped from: Rod/cover profile set 600 mm rod length 1870 mm rod length 3500 mm rod length | 1 1 1 | K-14001-06-0-* K-14001-18-0-* K-14001-33-0-* |
| alternatively: | | | | | Rod Ø 10 mm, 6000 mm stock length Cover profile, 6000 mm stock length | 1 1 | 9-23055-60-0-1 9-34497-60-0-* |
| 1 | 1 | 1 | 1 | | F 300 vertical gear set | 1 | K-14219-00-0-* |
| 1 | 1 | 1 | 1 | | Additional parts set for corner gear | 1 | K-14282-00-0-* |

[1] Depending on the PVC profile quality, shim 9-34508-00-0-0 with packer 9-34509-00-0-3 (optional parts) should be used – **Installation drawing 0-42700**

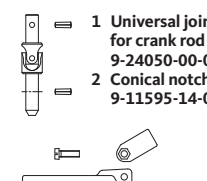
Hardware requirements for articulated crank and accessories for types a to h with vertical and corner gear

| Type | Description | PU | Order no. |
|-----------------|--|----|----------------|
| a b c d e f g h | | | |
| 1 1 1 1 1 1 1 1 | Crank rod – to be cropped from: Aluminium tube, 5000 mm stock length | 1 | 9-32230-50-0-* |
| 1 1 1 1 1 1 1 1 | Articulated crank set | 1 | K-13162-00-0-* |
| 1 1 2 2 1 1 | Universal joint set for crank rod | 1 | K-13164-00-0-1 |
| 1 1 1 1 | Coupling bush set | 1 | K-13165-00-0-1 |



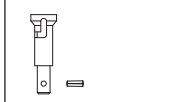
- 1 Articulated crank 9-32231-00-0-*
- 1 Crank clip 9-32232-00-0-*
- 1 Conical notched pin 9-11595-14-0-1

**Articulated crank set
K-13162-00-0-***



- 1 Universal joint for crank rod 9-24050-00-0-1
- 2 Conical notched pins 9-11595-14-0-1
- 1 Crank rod guide 6-25128

**Universal joint set
for crank rod
K-13164-00-0-1**

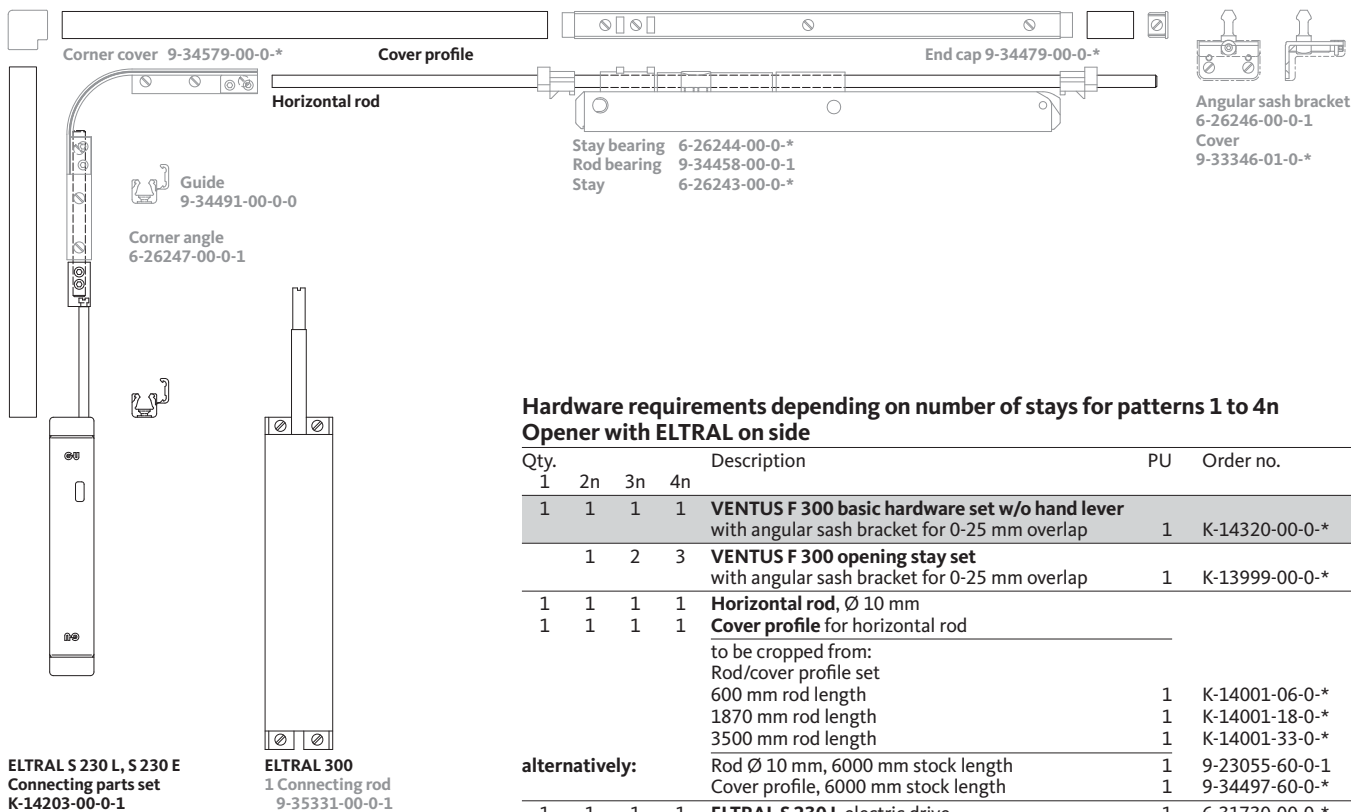


- 1 Coupling bush 9-29570-00-0-1
- 1 Conical notched pin 9-11595-14-0-1

**Coupling bush
set
K-13165-00-0-1**

VENTUS F 300 fanlight opener

Standard version – ELTRAL installed on side



Hardware requirements depending on number of stays for patterns 1 to 4n Opener with ELTRAL on side

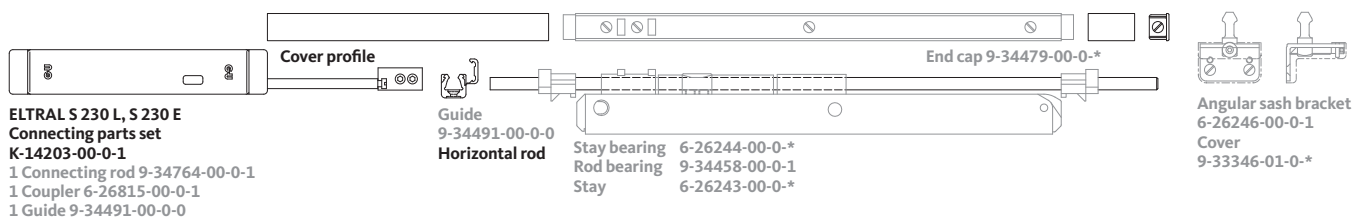
| Qty. | | Description | | PU | Order no. |
|------|----|-------------|----|----|--|
| 1 | 2n | 3n | 4n | | |
| 1 | 1 | 1 | 1 | 1 | K-143200-00-0* |
| | 1 | 2 | 3 | 1 | K-13999-00-0* |
| 1 | 1 | 1 | 1 | | Horizontal rod, Ø 10 mm |
| 1 | 1 | 1 | 1 | | Cover profile for horizontal rod |
| | | | | | to be cropped from: |
| | | | | 1 | Rod/cover profile set |
| | | | | 1 | 600 mm rod length |
| | | | | 1 | 1870 mm rod length |
| | | | | 1 | 3500 mm rod length |
| | | | | 1 | alternatively: Rod Ø 10 mm, 6000 mm stock length |
| | | | | 1 | Cover profile, 6000 mm stock length |
| 1 | 1 | 1 | 1 | 1 | ELTRAL S 230 L electric drive |
| | | | | 1 | alternatively: ELTRAL S 230 E electric drive |
| 1 | 1 | 1 | 1 | 1 | Connecting parts set, B = 620-3600 |
| 1 | 1 | 1 | 1 | 1 | Vertical rod – to be cropped from Ø 10 mm rod |
| | | | | 1 | alternatively: ELTRAL 300 E1 electric drive |
| | | | | 1 | alternatively: Connecting rod, Ø 12 mm, B = 605–3600 mm |

[1] Depending on the PVC profile quality, shim 9-34508-00-0-0 with packer 9-34509-00-0-3 (optional parts) should be used.

Installation drawing 0-42700, Installation drawings ELTRAL S 230 0-42807, ELTRAL 300 0-42710

VENTUS F 300 fanlight opener

Standard version – ELTRAL installed at top



ELTRAL S 230 L, S 230 E
Connecting parts set
K-14203-00-0-1
 1 Connecting rod 9-34764-00-0-1
 1 Coupler 6-26815-00-0-1
 1 Guide 9-34491-00-0-0

Guide
 9-34491-00-0-0
Horizontal rod
 Stay bearing 6-26244-00-0-*
 Rod bearing 9-34458-00-0-1
 Stay 6-26243-00-0-*

Angular sash bracket
 6-26246-00-0-1
Cover
 9-33346-01-0-*



ELTRAL 300
Connecting parts set
K-14202-00-0-1
 1 Connecting rod 9-31018-01-0-1
 1 Coupler 6-26814-00-0-1
 1 Guide 9-34491-00-0-0

Hardware requirements depending on number of stays for patterns 1 to 4n Opener with ELTRAL at top

| Qty. | | Description | | PU | Order no. |
|---|----|-------------|----|----|----------------|
| 1 | 2n | 3n | 4n | | |
| 1 | 2 | 3 | 4 | 1 | K-13999-00-0-* |
| VENTUS F 300 opening stay set with angular sash bracket for 0-25 mm overlap | | | | | |
| 1 | 1 | 1 | 1 | 1 | 9-34479-00-0-* |
| End cap | | | | | |
| 1 | 1 | 1 | 1 | | |
| Horizontal rod, Ø 10 mm | | | | | |
| 1 | 1 | 1 | 1 | | |
| Cover profile for horizontal rod | | | | | |
| to be cropped from: | | | | | |
| | | | | 1 | K-14001-06-0-* |
| | | | | 1 | K-14001-18-0-* |
| | | | | 1 | K-14001-33-0-* |
| alternatively: | | | | | |
| | | | | 1 | 9-23055-60-0-1 |
| | | | | 1 | 9-34497-60-0-1 |
| | | | | 1 | 9-23055-60-0-1 |
| | | | | 1 | 9-34497-60-0-1 |
| 1 | 1 | 1 | 1 | 1 | 6-31730-00-0-* |
| ELTRAL S 230 L electric drive | | | | | |
| 1 | 1 | 1 | 1 | 1 | 6-31732-00-0-* |
| ELTRAL S 230 E electric drive | | | | | |
| 1 | 1 | 1 | 1 | 1 | K-14203-00-0-1 |
| Connecting parts set, B = 825-3600 | | | | | |
| alternatively: | | | | | |
| | | | | 1 | 9-31020-01-0-* |
| ELTRAL 300 E1 electric drive | | | | | |
| alternatively: | | | | | |
| | | | | 1 | K-14202-00-0-1 |
| F 300 connecting parts set, B = 850-3600 | | | | | |

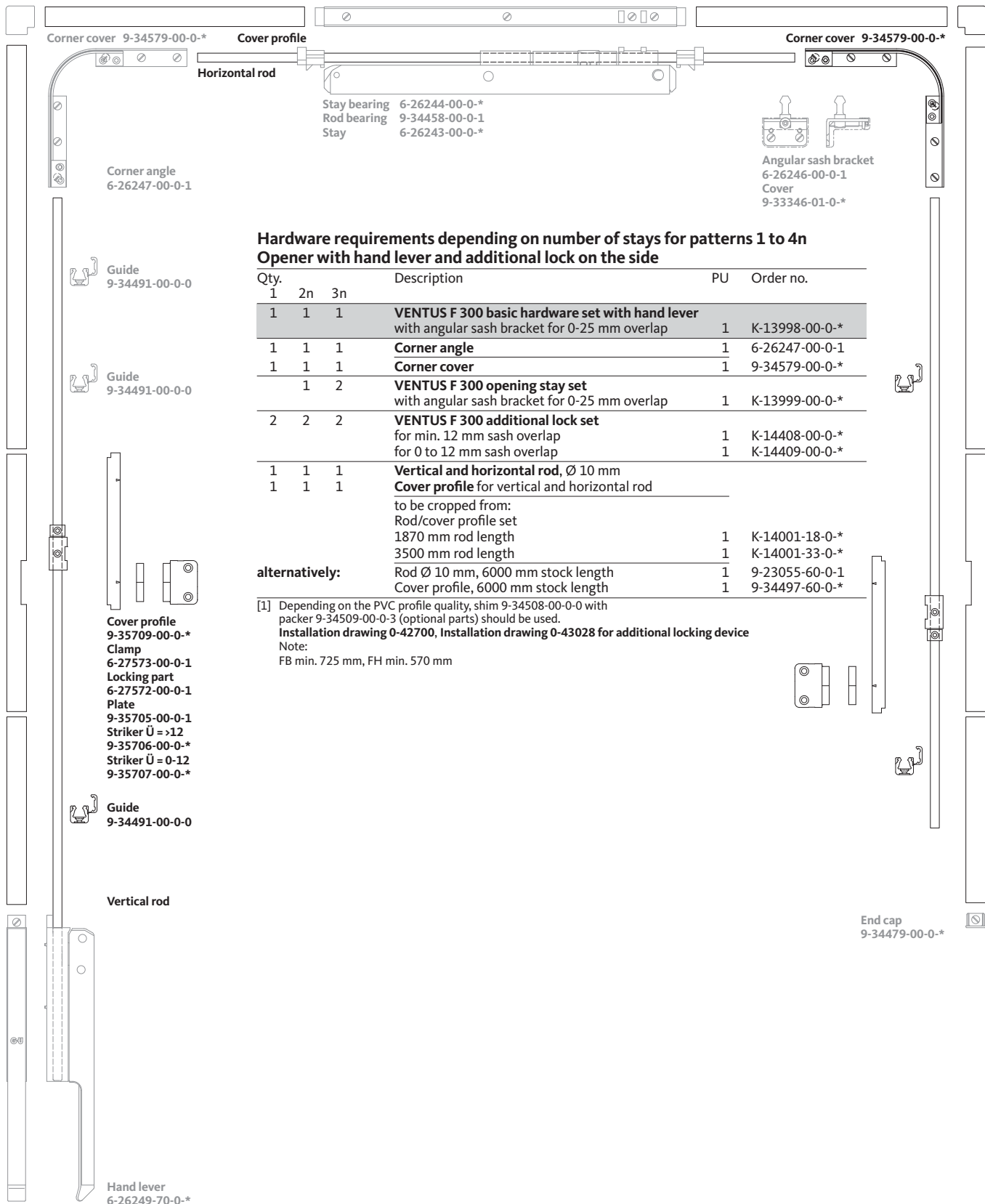
[1] Depending on the PVC profile quality, shim 9-34508-00-0-0 with packer 9-34509-00-0-3 (optional parts) should be used.

Installation drawing 0-42700, Installation drawings ELTRAL S 230 0-42807, ELTRAL 300 0-42710



VENTUS F 300 fanlight opener

Standard version – with hand lever and additional vertical locking device



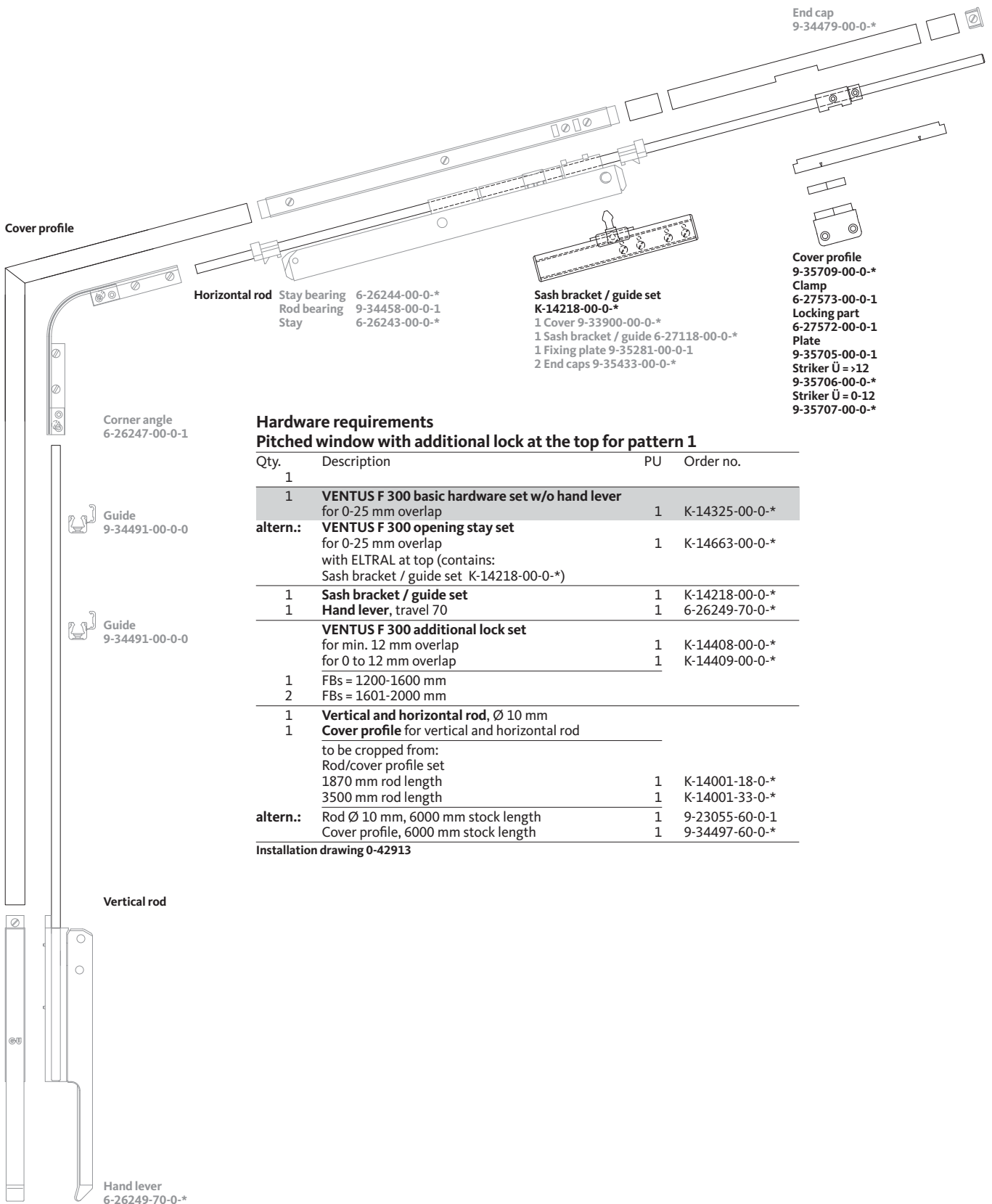
Hardware requirements depending on number of stays for patterns 1 to 4n Opener with hand lever and additional lock on the side

| Qty. | 1 | 2n | 3n | Description | PU | Order no. |
|-----------------------|---|----|----|--|--------|----------------------------------|
| 1 | 1 | 1 | 1 | VENTUS F 300 basic hardware set with hand lever with angular sash bracket for 0-25 mm overlap | 1 | K-13998-00-0-* |
| 1 | 1 | 1 | 1 | Corner angle | 1 | 6-26247-00-0-1 |
| 1 | 1 | 1 | 1 | Corner cover | 1 | 9-34579-00-0-* |
| | | 1 | 2 | VENTUS F 300 opening stay set with angular sash bracket for 0-25 mm overlap | 1 | K-13999-00-0-* |
| 2 | 2 | 2 | 2 | VENTUS F 300 additional lock set for min. 12 mm sash overlap for 0 to 12 mm sash overlap | 1 1 | K-14408-00-0-* K-14409-00-0-* |
| 1 | 1 | 1 | 1 | Vertical and horizontal rod, Ø 10 mm | | |
| 1 | 1 | 1 | 1 | Cover profile for vertical and horizontal rod to be cropped from: Rod/cover profile set 1870 mm rod length 3500 mm rod length | 1 1 | K-14001-18-0-* K-14001-33-0-* |
| alternatively: | | | | Rod Ø 10 mm, 6000 mm stock length | 1 | 9-23055-60-0-1 |
| | | | | Cover profile, 6000 mm stock length | 1 | 9-34497-60-0-* |

[1] Depending on the PVC profile quality, shim 9-34508-00-0-0 with packer 9-34509-00-0-3 (optional parts) should be used.
Installation drawing 0-42700, Installation drawing 0-43028 for additional locking device
Note:
FB min. 725 mm, FH min. 570 mm

VENTUS F 300 fanlight opener

Standard version – pitched window with additional locking device



Hardware requirements

Pitched window with additional lock at the top for pattern 1

| Qty. | Description | PU | Order no. |
|----------|--|----|----------------|
| 1 | | | |
| 1 | VENTUS F 300 basic hardware set w/o hand lever for 0-25 mm overlap | 1 | K-14325-00-0-* |
| altern.: | VENTUS F 300 opening stay set for 0-25 mm overlap with ELTRAL at top (contains: Sash bracket / guide set K-14218-00-0-*) | 1 | K-14663-00-0-* |
| 1 | Sash bracket / guide set | 1 | K-14218-00-0-* |
| 1 | Hand lever, travel 70 | 1 | 6-26249-70-0-* |
| | VENTUS F 300 additional lock set | | |
| | for min. 12 mm overlap | 1 | K-14408-00-0-* |
| | for 0 to 12 mm overlap | 1 | K-14409-00-0-* |
| 1 | FBs = 1200-1600 mm | | |
| 2 | FBs = 1601-2000 mm | | |
| 1 | Vertical and horizontal rod, Ø 10 mm | | |
| 1 | Cover profile for vertical and horizontal rod to be cropped from: Rod/cover profile set 1870 mm rod length | 1 | K-14001-18-0-* |
| | 3500 mm rod length | 1 | K-14001-33-0-* |
| altern.: | Rod Ø 10 mm, 6000 mm stock length | 1 | 9-23055-60-0-1 |
| | Cover profile, 6000 mm stock length | 1 | 9-34497-60-0-* |

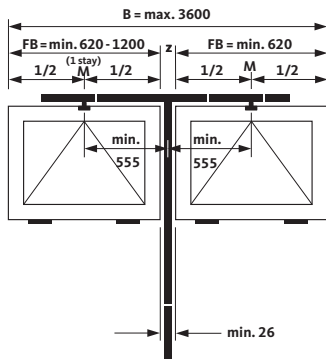
Installation drawing 0-42913

VENTUS F 300 fanlight opener

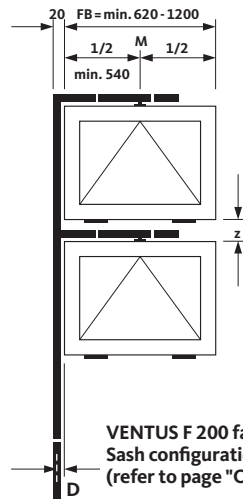
Special versions, standard version – minimum dimensions



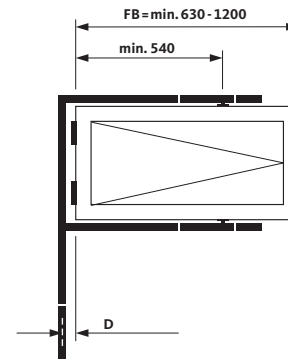
Special versions



VENTUS F 200 fanlight opener
Central operation 2n with T-angle
(refer to page "Optional parts")

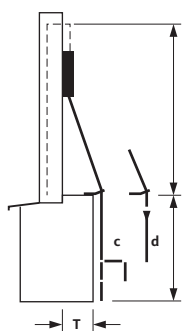


VENTUS F 200 fanlight opener
Sash configuration 2ü with T-angle
(refer to page "Optional parts")

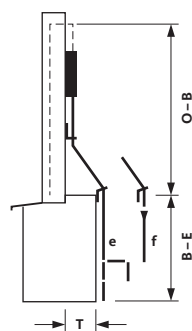


VENTUS F 200 fanlight opener
Side-hung sash with T-angle
(refer to page "Optional parts")

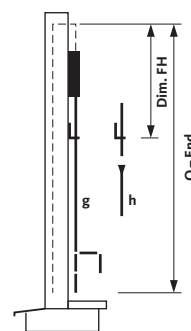
Standard version – minimum dimensions



| O-B min. | T |
|----------|---------|
| Vert. | Corn. |
| 395 | 200 30 |
| 430 | 200 60 |
| 465 | 200 90 |
| 500 | 210 120 |
| 535 | 245 150 |
| 570 | 280 180 |
| 610 | 315 210 |
| 645 | 350 240 |
| 680 | 390 270 |
| 715 | 425 300 |
| B-E min. | Type |
| Vert. | Corn. |
| 475 | 475 c |
| 515 | 515 d |
| O-E min. | Type |
| Vert. | Corn. |
| 800 | 505 a |
| 850 | 555 b |



| O-B | T |
|------|------|
| min. | |
| 600 | 30 |
| 650 | 60 |
| 700 | 90 |
| 755 | 120 |
| 805 | 150 |
| 860 | 180 |
| 910 | 210 |
| 960 | 240 |
| 1015 | 270 |
| 1070 | 300 |
| B-E | Type |
| min. | |
| 475 | e |
| 515 | f |

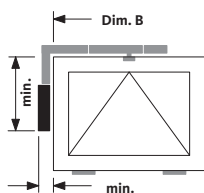


| Dim. FH | Type |
|---------|------|
| min. | |
| 350 | |
| O-End | Type |
| min. | |
| 885 | g |
| 935 | h |

Vertical and corner gear
Types a, b, c and d

Vertical gear
Types e and f

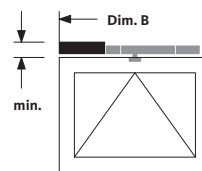
Vertical gear
Types g and h



| | ELTRAL | S [1] | 300 |
|----------------|--------|-------|-----|
| Required space | 39 | 56 | |
| Inst. height | 468 | 400 | |
| Dim. B min. | 620 | 605 | |
| Dim. B max. | 3600 | 6000 | |

[1] ELTRAL S 230 L, S 230 E

ELTRAL on side



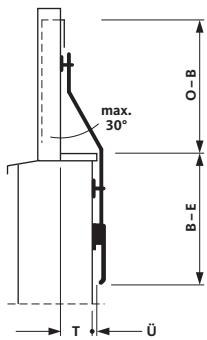
| | ELTRAL | S [1] | 300 |
|----------------|--------|-------|-----|
| Required space | 39 | 56 | |
| Dim. B min. | 825 | 850 | |
| Dim. B max. | 3600 | 6000 | |

[1] ELTRAL S 230 L, S 230 E

ELTRAL at top

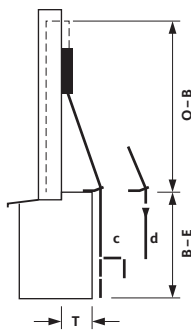
VENTUS F 300 fanlight opener

Made to measure – minimum dimensions



| O-B min. | T+Ü | Ü max. |
|----------|-----|--------|
| 300 | 30 | 5 |
| 350 | 60 | 5 |
| 420 | 100 | 5 |
| 475 | 130 | 5 |

Rod-type transmission
 Ø 10 mm
 Dim. T + Ü max. 130 mm

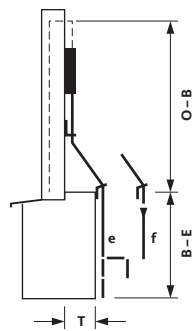


| O-B min. | T | |
|----------|-------|-------|
| Vert. | Vert. | Corn. |
| 395 | 200 | 30 |
| 430 | 200 | 60 |
| 465 | 200 | 90 |
| 500 | 210 | 120 |
| 535 | 245 | 150 |
| 570 | 280 | 180 |
| 610 | 315 | 210 |
| 645 | 350 | 240 |
| 680 | 390 | 270 |
| 715 | 425 | 300 |

| B-E min. | Type | |
|----------|-------|---|
| Vert. | Corn. | |
| 475 | 475 | c |
| 515 | 515 | d |

| O-E min. | Type | |
|----------|-------|---|
| Vert. | Corn. | |
| 800 | 505 | a |
| 850 | 555 | b |

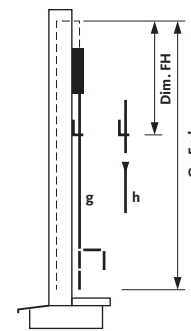
Vertical and corner gear
 Types a, b, c and d



| O-B min. | T |
|----------|-----|
| 600 | 30 |
| 650 | 60 |
| 700 | 90 |
| 755 | 120 |
| 805 | 150 |
| 860 | 180 |
| 910 | 210 |
| 960 | 240 |
| 1015 | 270 |
| 1070 | 300 |

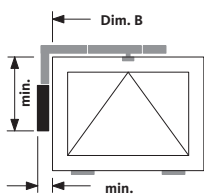
| B-E min. | Type |
|----------|------|
| 475 | e |
| 515 | f |

Vertical gear
 Types e and f



| Dim. FH min. | Type |
|--------------|------|
| 350 | |
| O-End min. | |
| 885 | g |
| 935 | h |

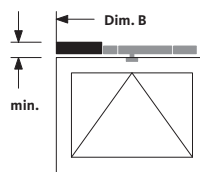
Vertical gear
 Types g and h



| | ELTRAL S [1] 300 | |
|----------------|------------------|------|
| Required space | 39 | 56 |
| Inst. height | 468 | 400 |
| Dim. B min. | 620 | 605 |
| Dim. B max. | 3600 | 6000 |

[1] ELTRAL S 230 L, S 230 E

ELTRAL on side



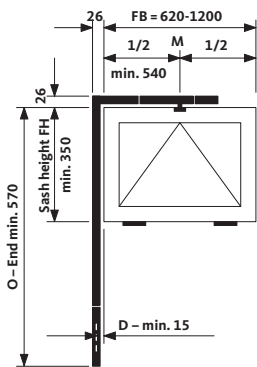
| | ELTRAL S [1] 300 | |
|----------------|------------------|------|
| Required space | 39 | 56 |
| Dim. B min. | 825 | 850 |
| Dim. B max. | 3600 | 6000 |

[1] ELTRAL S 230 L, S 230 E

ELTRAL at top

VENTUS F 300 fanlight opener

Individual and total rod length – hand lever

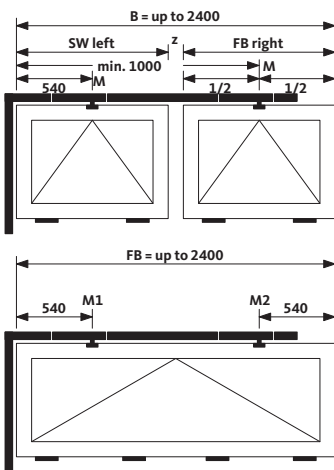


Pattern 1
Hand lever

Rod lengths depending on total sash width FB and Dim O-End

| O-End | Vertical rod-length | Total sash width dim. FB or B | |
|-------|---------------------|-------------------------------|-----------------------|
| | | up to 1200 | Horizontal rod length |
| | | 540 | |
| 1000 | 765 | 1305 | |
| 1100 | 865 | 1405 | |
| 1200 | 965 | 1505 | |
| 1300 | 1065 | 1605 | |
| 1400 | 1165 | 1705 | |
| 1500 | 1265 | 1805 | |
| 1600 | 1365 | 1905 | |
| 1700 | 1465 | 2005 | |
| 1800 | 1565 | 2105 | |
| 1900 | 1665 | 2205 | |
| 2000 | 1765 | 2305 | |

Rod and cover profile "size" 18 = white, 33 = grey

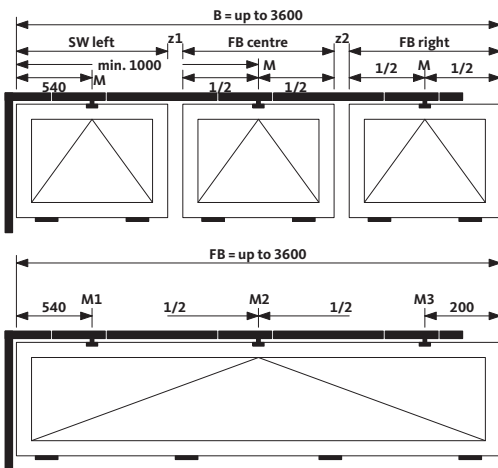


Pattern 2n

Rod lengths depending on total sash width FB and Dim O-End

| O-End | Vertical-rod-length | Total sash width dim. FB or B | | | | | |
|-------|---------------------|-------------------------------|------|------|------|------|------|
| | | 1400 | 1600 | 1800 | 2000 | 2200 | 2400 |
| | | Horizontal rod length | | | | | |
| | | 1200 | 1400 | 1600 | 1800 | 2000 | 2200 |
| 1000 | 765 | 1965 | 2165 | 2365 | 2565 | 2765 | 2965 |
| 1100 | 865 | 2065 | 2265 | 2465 | 2665 | 2865 | 3065 |
| 1200 | 965 | 2165 | 2365 | 2565 | 2765 | 2965 | 3165 |
| 1300 | 1065 | 2265 | 2465 | 2665 | 2865 | 3065 | 3265 |
| 1400 | 1165 | 2365 | 2565 | 2765 | 2965 | 3165 | 3365 |
| 1500 | 1265 | 2465 | 2665 | 2865 | 3065 | 3265 | 3465 |
| 1600 | 1365 | 2565 | 2765 | 2965 | 3165 | 3365 | 3565 |
| 1700 | 1465 | 2665 | 2865 | 3065 | 3265 | 3465 | 3665 |
| 1800 | 1565 | 2765 | 2965 | 3165 | 3365 | 3565 | 3765 |
| 1900 | 1665 | 2865 | 3065 | 3265 | 3465 | 3665 | 3865 |
| 2000 | 1765 | 2965 | 3165 | 3365 | 3565 | 3765 | 3965 |

Rod and cover profile "size" 33 = grey, 60 = white

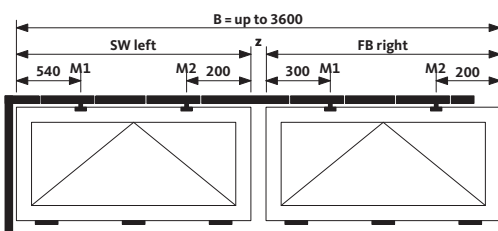


Pattern 3n

Rod lengths depending on total sash width FB and Dim O-End

| O-End | Vertical-rod-length | Total sash width dim. FB or B | | | | | |
|-------|---------------------|-------------------------------|------|------|------|------|------|
| | | 2600 | 2800 | 3000 | 3200 | 3400 | 3600 |
| | | Horizontal rod length | | | | | |
| | | 2400 | 2600 | 2800 | 3000 | 3200 | 3400 |
| 1000 | 765 | 3165 | 3365 | 3565 | 3765 | 3965 | 4165 |
| 1100 | 865 | 3265 | 3465 | 3665 | 3865 | 4065 | 4265 |
| 1200 | 965 | 3365 | 3565 | 3765 | 3965 | 4165 | 4365 |
| 1300 | 1065 | 3465 | 3665 | 3865 | 4065 | 4265 | 4465 |
| 1400 | 1165 | 3565 | 3765 | 3965 | 4165 | 4365 | 4565 |
| 1500 | 1265 | 3665 | 3865 | 4065 | 4265 | 4465 | 4665 |
| 1600 | 1365 | 3765 | 3965 | 4165 | 4365 | 4565 | 4765 |
| 1700 | 1465 | 3865 | 4065 | 4265 | 4465 | 4665 | 4865 |
| 1800 | 1565 | 3965 | 4165 | 4365 | 4565 | 4765 | 4965 |
| 1900 | 1665 | 4065 | 4265 | 4465 | 4665 | 4865 | 5065 |
| 2000 | 1765 | 4165 | 4365 | 4565 | 4765 | 4965 | 5165 |

Rod and cover profile "size" 33 = grey, 60 = white



Pattern 4n

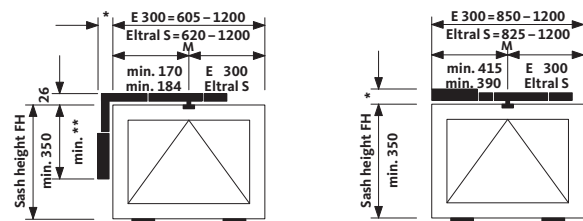
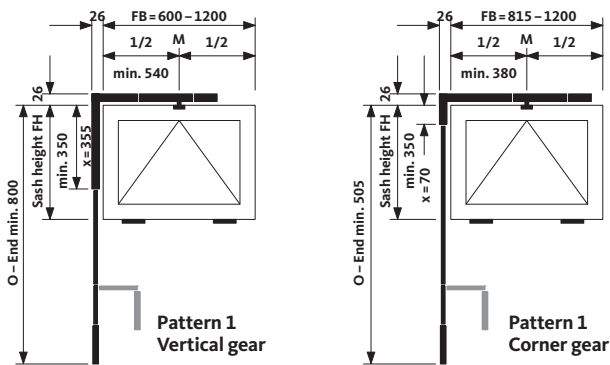
Rod lengths depending on total sash width FB and Dim O-End

| O-End | Vertical-rod-length | Total sash width dim. FB or B | | | | | |
|-------|---------------------|-------------------------------|------|------|------|------|------|
| | | 2600 | 2800 | 3000 | 3200 | 3400 | 3600 |
| | | Horizontal rod length | | | | | |
| | | 2400 | 2600 | 2800 | 3000 | 3200 | 3400 |
| 1000 | 765 | 3165 | 3365 | 3565 | 3765 | 3965 | 4165 |
| 1100 | 865 | 3265 | 3465 | 3665 | 3865 | 4065 | 4265 |
| 1200 | 965 | 3365 | 3565 | 3765 | 3965 | 4165 | 4365 |
| 1300 | 1065 | 3465 | 3665 | 3865 | 4065 | 4265 | 4465 |
| 1400 | 1165 | 3565 | 3765 | 3965 | 4165 | 4365 | 4565 |
| 1500 | 1265 | 3665 | 3865 | 4065 | 4265 | 4465 | 4665 |
| 1600 | 1365 | 3765 | 3965 | 4165 | 4365 | 4565 | 4765 |
| 1700 | 1465 | 3865 | 4065 | 4265 | 4465 | 4665 | 4865 |
| 1800 | 1565 | 3965 | 4165 | 4365 | 4565 | 4765 | 4965 |
| 1900 | 1665 | 4065 | 4265 | 4465 | 4665 | 4865 | 5065 |
| 2000 | 1765 | 4165 | 4365 | 4565 | 4765 | 4965 | 5165 |

Rod and cover profile "size" 33 = grey, 60 = white

VENTUS F 300 fanlight opener

Horizontal rod length – vertical and corner gear, ELTRAL on side and at top



Pattern 1
ELTRAL on side, min dimensions

| | ELTRAL S [1] | 300 |
|--------|--------------|------|
| * | 39 | 56 |
| ** | 468 | 400 |
| B max. | 3600 | 6000 |

Pattern 1
ELTRAL at top, min dimensions

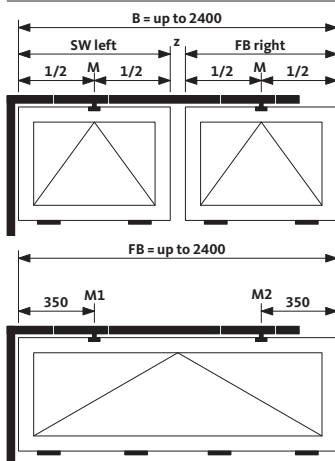
| | ELTRAL S [1] | 300 |
|--------|--------------|------|
| * | 39 | 56 |
| B min. | 825 | 850 |
| B max. | 3600 | 6000 |

Horizontal rod length depending on total sash width

| Drive | Total sash width dim. FB or B | | | |
|---------------|-------------------------------|-----|------|------|
| | 700 | 800 | 1000 | 1200 |
| Vertical gear | 540 | 540 | 540 | 540 |
| Corner gear | | 585 | 635 | 735 |

Horizontal rod length depending on total sash width

| Drive | Total sash width dim. FB or B | | | | [1] |
|----------------------|-------------------------------|-----|------|------|----------------|
| | 700 | 800 | 1000 | 1200 | |
| ELTRAL S on side [1] | 730 | 830 | 990 | 1090 | ELTRAL S 230 L |
| ELTRAL S at top [1] | | 540 | 650 | 750 | S 230 E |
| ELTRAL 300 on side | 610 | 710 | 870 | 970 | |
| ELTRAL 300 at top | | | 620 | 720 | |

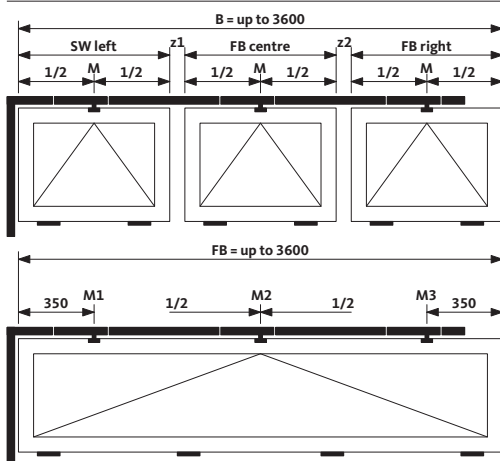


Pattern 2n

Horizontal rod length depending on total sash width

| Drive | Total sash width dim. FB or B | | | | | |
|----------------------|-------------------------------|------|------|------|------|------|
| | 1400 | 1600 | 1800 | 2000 | 2200 | 2400 |
| Vertical gear | 1200 | 1400 | 1600 | 1800 | 2000 | 2200 |
| Corner gear | 1145 | 1345 | 1545 | 1745 | 1945 | 2145 |
| ELTRAL S on side [1] | 1430 | 1630 | 1830 | 2030 | 2230 | 2430 |
| ELTRAL S at top [1] | 1090 | 1290 | 1490 | 1690 | 1890 | 2090 |
| ELTRAL 300 on side | 1310 | 1510 | 1710 | 1910 | 2110 | 2310 |
| ELTRAL 300 at top | 1060 | 1260 | 1460 | 1660 | 1860 | 2060 |

[1] ELTRAL S 230 L, S 230 E

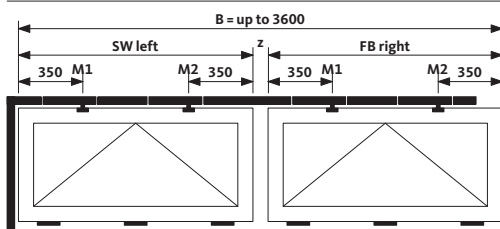


Pattern 3n

Horizontal rod length depending on total sash width

| Drive | Total sash width dim. FB or B | | | | | |
|----------------------|-------------------------------|------|------|------|------|------|
| | 2600 | 2800 | 3000 | 3200 | 3400 | 3600 |
| Vertical gear | 2400 | 2600 | 2800 | 3000 | 3200 | 3400 |
| Corner gear | 2345 | 2545 | 2745 | 2945 | 3145 | 3345 |
| ELTRAL S on side [1] | 2630 | 2830 | 3030 | 3230 | 3430 | 3630 |
| ELTRAL S at top [1] | 2290 | 2490 | 2690 | 2890 | 3090 | 3290 |
| ELTRAL 300 on side | 2510 | 2710 | 2910 | 3110 | 3310 | 3510 |
| ELTRAL 300 at top | 2260 | 2460 | 2660 | 2860 | 3060 | 3260 |

[1] ELTRAL S 230 L, S 230 E





Pattern 4n

Horizontal rod length depending on total sash width

| Drive | Total sash width dim. FB or B | | | | | |
|----------------------|-------------------------------|------|------|------|------|------|
| | 2600 | 2800 | 3000 | 3200 | 3400 | 3600 |
| Vertical gear | 2400 | 2600 | 2800 | 3000 | 3200 | 3400 |
| Corner gear | 2345 | 2545 | 2745 | 2945 | 3145 | 3345 |
| ELTRAL S on side [1] | 2630 | 2830 | 3030 | 3230 | 3430 | 3630 |
| ELTRAL S at top [1] | 2290 | 2490 | 2690 | 2890 | 3090 | 3290 |
| ELTRAL 300 on side | 2510 | 2710 | 2910 | 3110 | 3310 | 3510 |
| ELTRAL 300 at top | 2260 | 2460 | 2660 | 2860 | 3060 | 3260 |

[1] ELTRAL S 230 L, S 230 E



| Application, illustration | Description | PU | Order no. |
|--|---|----|---------------|
| PVC windows | ELTRAL S 230 L electric drive for face-fixed fanlight openers | 1 | 6-31730-00-0* |
|  | Technical data Operating voltage V, Hz 110 / 230, 50 Push force N 1200 Current consumption A 0.15 Lift (adjustable) mm 50 / 70 [1] Lifting speed mm/s 0.9 Duty ratio % 20 Protection class IP 50 Cut-off cut-off in end positions overload cut-off Connector 4-pole Length mm 210 Width mm 36 Height mm 76 | | |
| | ELTRAL S 230 E electric drive for face-fixed fanlight openers | 1 | 6-31732-00-0* |
| | Technical data Operating voltage V, Hz 110 / 230, 50 Push force N 1200 Current consumption A 0.15 Lift (adjustable) mm 50 / 70 [1] Lifting speed mm/s 0.9 Duty ratio % 20 Protection class IP 50 Cut-off electronic Connector 4-pole Length mm 210 Width mm 36 Height mm 76 | | |
| PVC windows | ELTRAL 300 E1 electric drive for face-fixed fanlight openers | 1 | 9-31020-01-0* |
|  | Technical data Operating voltage V, Hz 230, 50 Push force N 3000 Current consumption A 0.10 Lift (adjustable) mm 40 – 70 [2] Lifting speed mm/s 1.0 Duty ratio % 100 Protection class IP 54 Cut-off limit switch Cross section of supply cable mm ² 4 x 0.75 (4-core) Approx. length of supply cable mm 1500 Length mm 270 Width mm 55 Height mm 102 | | |

[1] Preset to 50 mm lift = 200 mm opening width (VENTUS F 200) / 70 mm lift = 300 mm opening width (VENTUS F 300)

[2] Preset to 40 mm lift



For mounting with VENTUS F 200 readjust to 50 mm lift (= 200 mm opening width)

For mounting with VENTUS F 300 readjust to 50 mm lift (= 300 mm opening width)

Electric drives – 24 V

ELTRAL S 24 L, ELTRAL 300/24



| Application, illustration | Description | PU | Order no. |
|---|--|----|----------------|
| PVC windows  | ELTRAL S 24 L electric drive for face-fixed fanlight openers Technical data Operating voltage 24 V DC Push force N 1200 Current consumption A 0.7 Adjustable lift mm 50 / 70 [1] Lifting speed mm/s 0.9 Duty ratio % 20 Protection class IP 54 Cut-off in end positions Overload cut-off Connector 2-pole Length mm 210 Width mm 36 Height mm 76 | 1 | 6-31734-00-0-* |
| PVC windows  | ELTRAL 300/24 electric drive for face-fixed fanlight openers Technical data Operating voltage 24 V DC Push force N 3000 Current consumption A 0.8 Adjustable lift mm 40 – 70 [2] Lifting speed mm/s 1.0 Duty ratio % 20 Protection class IP 54 Cut-off limit switch Cross section of supply cable mm ² 2 x 0.75 (2-core) Approx. length of supply cable mm 1500 Length mm 270 Width mm 55 Height mm 102 | 1 | 9-31021-00-0-* |

[1] Preset to 50 mm lift = 200 mm opening width (VENTUS F 200) / 70 mm lift = 300 mm opening width (VENTUS F 300)

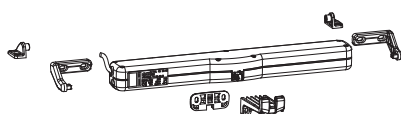

[2] Preset to 40 mm lift
For mounting with VENTUS F 300 readjust to 70 mm lift (= 300 mm opening width)

ELTRAL KS 30/40 chain drive – 230 V

Steplessly adjustable lift, up to 300 N push/pull force



Hardware requirements for tilt and top-hung sashes, and skylights

| Application, illustration | Qty. | Description | PU | Order no. |
|--|------|--|----|----------------|
| PVC windows  | 1 | ELTRAL KS 30/40 Solo chain drive – 230 V [1] including bracket for tilt sashes, plate for top-hung sashes and pivoting brackets for mounting on window frame and in the reveal | 1 | K-17433-00-0-* |
| ELTRAL KS 30/40 chain drive – 230 V K-17433-00-0-*, K-17437-00-0-*, K-17435-02-0-* | 1 | alternatively for control via radio transmitter: ELTRAL KS 30/40 Remote Solo chain drive – 230 V [1] including bracket for tilt sashes, plate for top-hung sashes and pivoting brackets for mounting on window frame and in the reveal | 1 | K-17437-00-0-* |
|  | 1 | Radio transmitter for KS 30/40 | 1 | K-17439-00-0-0 |
| Radio transmitter for KS 30/40 K-17439-00-0-0 | 1 | ELTRAL KS 30/40 Synchro chain drive – 230 V [1] including bracket for tilt sashes, plate for top-hung sashes and pivoting brackets for mounting on window frame and in the reveal | 2 | K-17435-02-0-* |

Technical details

- User-friendly chain holding fixture for easy disengagement of sash
- Pivoting brackets allow for use with low sash heights
- Electric cut-off in end positions, self-positioning via microprocessor
- Easy adjustment to different lifts: 110, 200, 300 and 400 mm

Technical data

- | | |
|----------------------------------|---|
| ■ Operating voltage | 110 / 230 V AC, 50 Hz |
| ■ Max. push/pull force | 300 N per drive |
| ■ Current consumption | 0.12 A |
| ■ Lift adjustable via DIP switch | 110, 200, 300 and 400 mm |
| ■ Lifting speed | 12 mm/s |
| ■ Locking force | 1000 N |
| ■ Duty ratio | 30 % |
| ■ Protection class | IP 30 |
| ■ Ambient temperature | -5°C up to +65°C |
| ■ Parallel circuit | up to max. 8 drives |
| ■ Fixed connecting cable | 3-core, approx. 2 m (Solo) 5-core, approx. 2.5 m (Synchro) |
| ■ Length | 386.5 mm |
| ■ Depth | 58.5 mm |
| ■ Height | 38.1 mm |

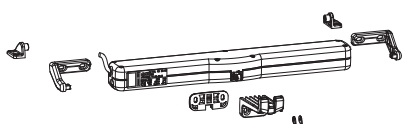
| | | | |
|--|---|---|----------------|
| Mounting of ELTRAL KS 30/40 – 230 V | KS 30/40 chain holding fixture [1] for projecting top-hung sashes – mounting on frame | 1 | 9-44272-00-0-* |
| | KS 30/40 chain holding fixture set [1] for inward-opening tilt sashes – mounting on sash for outward-opening top-hung sashes – mounting on frame (with limited mounting space) | 1 | K-17441-00-0-* |
| | KS 30/40 pivoting bracket set [1] for inward-opening tilt sashes – mounting on frame | 1 | K-17440-00-0-* |
| | KS 30/40 pivoting bracket set [1] for skylights – mounting on frame | 1 | K-17735-00-0-* |
| | KS 30/40 mounting bracket set, aluminium [1] for inward-opening tilt sashes – mounting on sash for outward-opening top-hung sashes – mounting on frame | 1 | K-17720-00-0-* |
| | [1] = Colour: 1 = grey (RAL 7047), 6 = black (RAL 9005), 7 = white (RAL 9016) | | |

ELTRAL KS 30/40 chain drive – 24 V

Steplessly adjustable lift, up to 300 N push/pull force



Hardware requirements for tilt and top-hung sashes, and skylights

| Application, illustration | Qty. | Description | PU | Order no. |
|---|------|--|----|----------------|
| PVC windows | 1 | ELTRAL KS 30/40 Solo chain drive – 24 V [1] including bracket for tilt sashes, plate for top-hung sashes and pivoting brackets for mounting on the window frame and in the reveal | 1 | K-17434-00-0-* |
|  <p>ELTRAL KS 30/40 chain drive – 24 V K-17434-00-0-*, K-17436-02-0-*</p> | 1 | ELTRAL KS 30/40 Synchro chain drive – 24 V [1] including bracket for tilt sashes, plate for top-hung sashes and pivoting bracket for mounting on the window frame and in the reveal | 2 | K-17436-02-0-* |
| | 1 | ELTRAL KS 30/40 Solo chain drive – 24 V with ELTRAL VAN locking drive [1] including bracket for tilt sashes, plate for top-hung sashes and pivoting bracket for mounting on the window frame and in the reveal | 1 | K-18025-00-0-* |
| <p>ELTRAL KS 30/40 chain drive – 24 V with ELTRAL VAN locking drive K-18025-00-0-*, K-18026-00-0-*</p> <p>(for dimensioned drawing refer to page 365)</p> | 1 | ELTRAL KS 30/40 Synchro chain drive – 24 V with ELTRAL VAN locking drive [1] including bracket for tilt sashes, plate for top-hung sashes and pivoting bracket for mounting on the window frame and in the reveal | 2 | K-18026-00-0-* |

Technical details

- User-friendly chain holding fixture for easy disengagement of sash
- Pivoting brackets allow for use with low sash heights
- Electric cut-off in end positions, self-positioning via microprocessor
- Easy adjustment to different lifts: 110, 200, 300 and 400 mm

Technical data

| | |
|----------------------------------|---|
| ■ Operating voltage | 24 V DC |
| ■ Max. push/pull force | 300 N per drive |
| ■ Current consumption | 0.9 A |
| ■ Breaking current | 1.2 A |
| ■ Lift adjustable via DIP switch | 110, 200, 300 and 400 mm |
| ■ Lifting speed | 10 mm/s |
| ■ Locking force | 1000 N |
| ■ Duty ratio | 30 % |
| ■ Protection class | IP 30 |
| ■ Ambient temperature | -5°C up to +65°C |
| ■ Fixed connecting cable | 3-core, approx. 2 m (Solo) 5-core, approx. 2.5 m (Synchro) |
| ■ Length | 386.5 mm |
| ■ Depth | 58.5 mm |
| ■ Height | 38.1 mm |

| | | | |
|------------------------------------|---|---|----------------|
| Mounting of ELTRAL KS 30/40 – 24 V | KS 30/40 chain holding fixture [1] for projecting top-hung sashes – mounting on frame | 1 | 9-44272-00-0-* |
| | KS 30/40 chain holding fixture set [1] for inward-opening tilt sashes – mounting on sash for outward-opening top-hung sashes – mounting on frame (with limited mounting space) | 1 | K-17441-00-0-* |
| | KS 30/40 pivoting bracket set [1] for inward-opening tilt sashes – mounting on frame | 1 | K-17440-00-0-* |
| | KS 30/40 pivoting bracket set [1] for skylights – mounting on frame | 1 | K-17735-00-0-* |
| | KS 30/40 mounting bracket set, aluminium [1] for inward-opening tilt sashes – mounting on sash for outward-opening top-hung sashes – mounting on frame | 1 | K-17720-00-0-* |

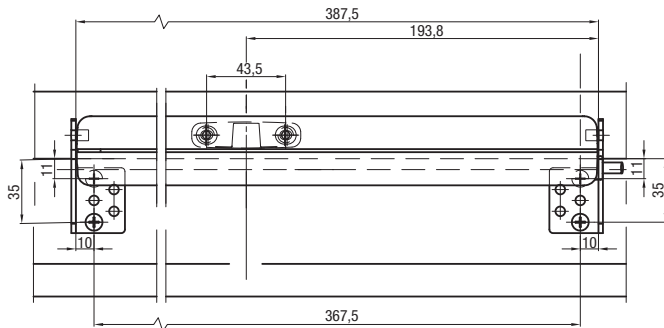
[1] = Colour: 1 = grey (RAL 7047), 6 = black (RAL 9005), 7 = white (RAL 9016)

ELTRAL KS 30/40 chain drive

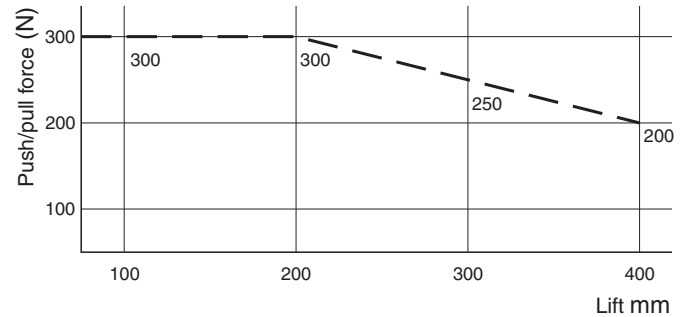
Steplessly adjustable lift, up to 300 N push/pull force



Dimensioned drawing of chain drive

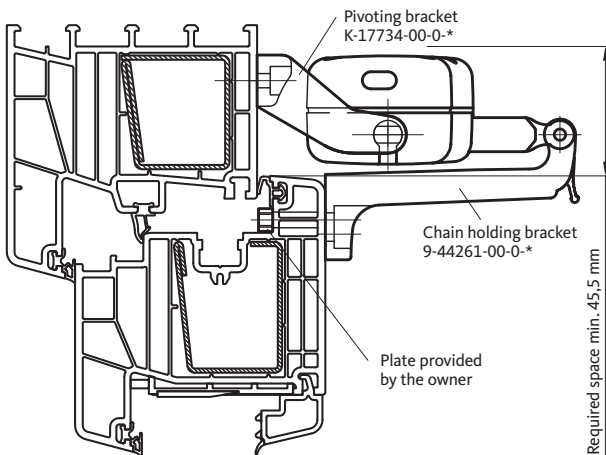


Force-displacement curve



Installation drawings

Inward-opening tilt sashes – mounting on frame



Minimum sash height depending on lift

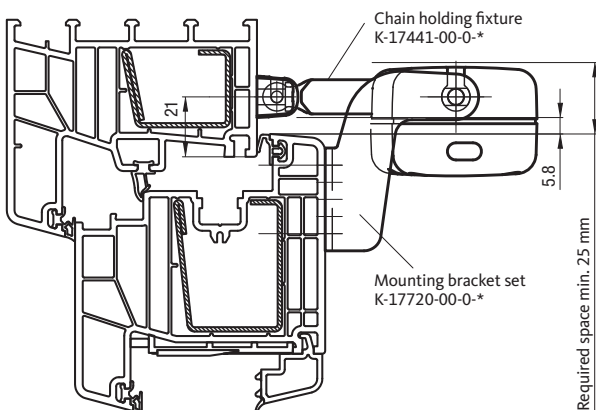
| Lift, mm | 110 | 200 | 300 | 400 |
|----------------------|-----|-----|------|------|
| Min. sash height, mm | 250 | 600 | 1100 | 1500 |

Installation drawing 0-45372

Mounting and operating instructions

ELTRAL KS 30/40 Solo and Synchro **M-00158-00**
 ELTRAL KS 30/40 Remote Solo **M-00159-00**

Inward-opening tilt sashes – mounting on sash



Minimum sash height depending on lift

| Lift, mm | 110 | 200 | 300 | 400 |
|----------------------|-----|-----|-----|-----|
| Min. sash height, mm | 200 | 400 | 650 | 900 |

Installation drawing 0-45211

Mounting and operating instructions

ELTRAL KS 30/40 Solo and Synchro **M-00158-00**
 ELTRAL KS 30/40 Remote Solo **M-00159-00**

ELTRAL K30 chain drive – 230 V

Steplessly adjustable lift, up to 300 N push/pull force

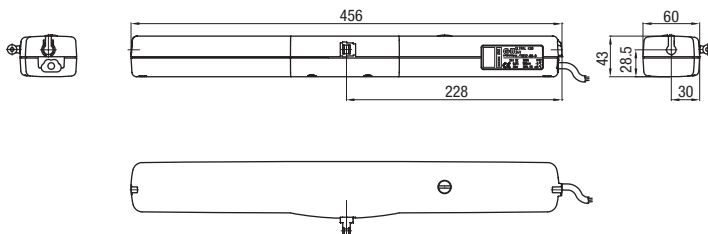


Hardware requirements for tilt, top-hung, side-hung sashes and skylights

| Application, illustration | Qty. | Description | PU | Order no. |
|---|------|---|----|----------------|
| PVC windows | 1 | ELTRAL K30 Solo chain drive – 230 V [1] | 1 | K-17834-00-0-* |
| | 1 | ELTRAL K30 Synchro chain drive– 230 V [1] | 2 | K-17835-00-0-* |
| Technical details | | | | |
| <ul style="list-style-type: none"> ■ Compact aluminium case ■ Assembly-friendly chain holding fixture ■ Easy adjustment to different lifts: 200, 300, 400 and 500 mm ■ Automatic overload cut-off ■ Synchronised tandem operation ■ Pivoting brackets allow for use with low sash heights | | | | |
| Technical data | | | | |
| <ul style="list-style-type: none"> ■ Operating voltage 230 V AC, 50 Hz ■ Max. push/pull force 300 N per drive ■ Current consumption 0.16 A ■ Lift adjustable via DIP switch 200, 300, 400 and 500 mm ■ Lifting speed 12.5 mm/s ■ Locking force 2000 N ■ Duty ratio 30 % ■ Protection class IP 32 ■ Ambient temperature -5°C up to +75°C ■ Fixed connecting cable silicone; 3-core, approx. 2 m (Solo) silicone; 5-core, approx. 2.5 m (Synchro) | | | | |
| <ul style="list-style-type: none"> ■ Length 456 mm ■ Depth 60 mm ■ Height 43 mm | | | | |
| Mounting of ELTRAL K30 – 230 V | 1 | K30 mounting bracket set [1] for inward-opening tilt sashes – mounting on frame consisting of: ■ Pivoting bracket left/right (9-45433-00-L/R-*) ■ S K30 chain holding bracket (9-46581-00-0-*) | 1 | K-18157-00-0-* |
| | 1 | K30 mounting bracket set [1] for projecting top-hung sashes – mounting on frame consisting of: ■ Mounting bracket left/right set (9-45093-00-L/R-*) ■ Chain holding fixture, horizontal (9-45436-00-0-*) | 1 | K-17840-00-0-* |
| | 1 | K30 mounting bracket set [1] for inward-opening tilt sash – mounting on sash for outward-opening top-hung sash – mounting on frame consisting of: ■ Mounting bracket left/right set (9-45093-00-L/R-*) ■ K30 chain holding fixture (9-45432-00-0-*) | 1 | K-17841-00-0-* |
| | 1 | K30 mounting bracket set [1] for inward-opening tilt sash – mounting on sash for outward-opening top-hung sash – mounting on frame consisting of: ■ Chain holding bracket, narrow (6-35037-00-0-1) ■ KS 30/40 mounting bracket set (K-17720-00-0-*) | 1 | K-17843-00-0-* |

[1] = Colour: 1 = grey (RAL 7047), 6 = black (RAL 9005), 7 = white (RAL 9016)

Dimensioned drawing



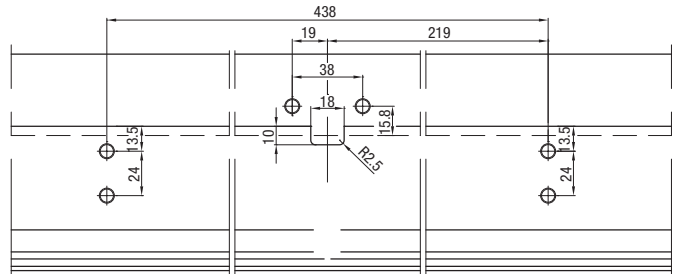
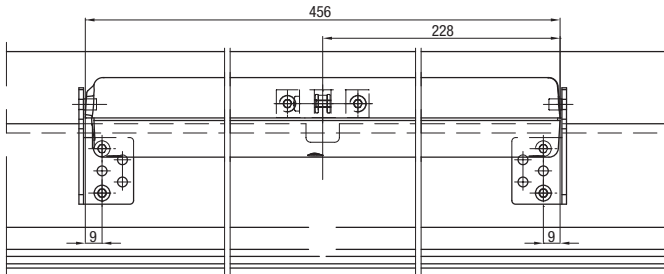
ELTRAL K30 Solo chain drive
ELTRAL K30 Synchro chain drive

ELTRAL K30 chain drive

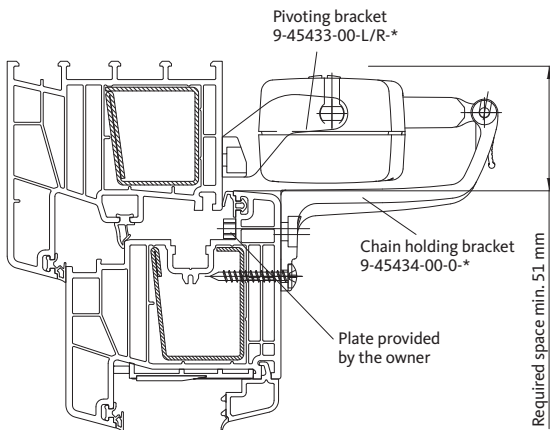
Steplessly adjustable lift, up to 300 N push/pull force



Installation drawings



Inward-opening tilt sashes – mounting on frame



Inward-opening tilt sashes – mounting on frame

Minimum sash height depending on lift

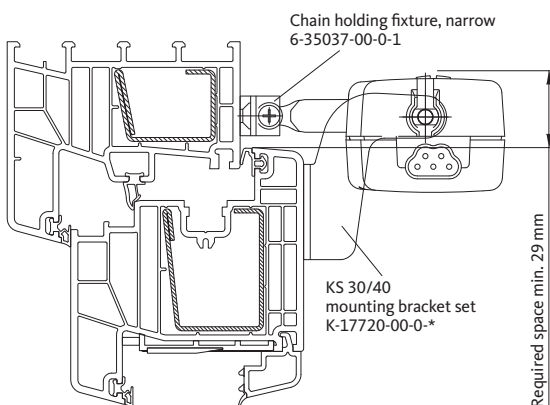
| | | | | |
|----------------------|-----|-----|-----|-----|
| Lift, mm | 200 | 300 | 400 | 500 |
| Min. sash height, mm | 200 | 300 | 400 | 500 |

Installation drawing 0-45525

Mounting and operating instructions

ELTRAL K30 Solo and Synchro **0-45380**

Inward-opening tilt sashes – mounting on sash Outward-opening top-hung sashes – mounting on frame



Inward-opening tilt sashes – mounting on sash

Minimum sash height depending on lift

| | | | | |
|----------------------|-----|-----|-----|-----|
| Lift, mm | 200 | 300 | 400 | 500 |
| Min. sash height, mm | 200 | 400 | 650 | 900 |

Outward-opening top-hung sashes – mounting on frame

Minimum sash height depending on lift

| | | | | |
|----------------------|-----|-----|-----|-----|
| Lift, mm | 200 | 300 | 400 | 500 |
| Min. sash height, mm | 250 | 350 | 450 | 600 |

Installation drawing 0-45542

Mounting and operating instructions

ELTRAL K30 Solo and Synchro **0-45380**

ELTRAL VAN locking drive – 24 V

Steplessly adjustable lift, lifting force up to 600 N



Hardware requirements for tilt, top-hung, projecting top-hung and side-hung sashes

| Application, illustration | Qty. | Description | PU | Order no. |
|---------------------------|------|--|----|----------------|
| PVC window | 1 | ELTRAL VAN locking drive– 24 V for the electromechanical locking and unlocking of tilt, top-hung, projecting top-hung and side-hung windows via the central locking system; used in combination with K 30/40 or KS 30 chain drives | 1 | K-17990-00-0-1 |

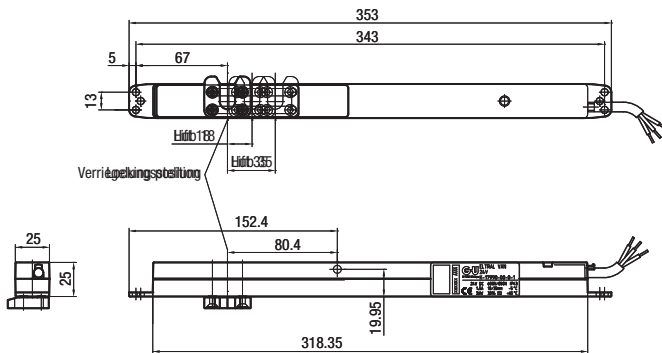
Technical details

- SHEV-tested
- Mounting variants: face-fixed or concealed in the frame
- With integrated closing sequence control for 24 V DC drives
- Mounting possible in horizontal and vertical position
- Adjustable lift (18 / 35 mm) for different central locking systems

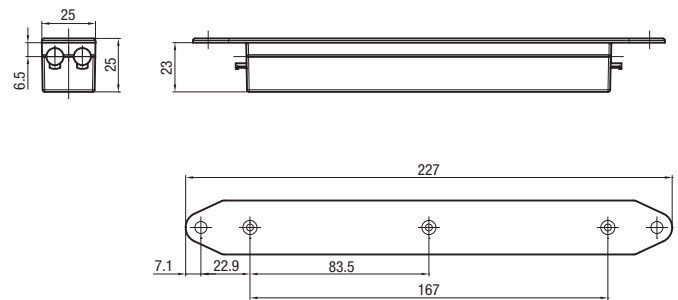
Technical data

- | | |
|---------------------------------|--|
| ■ Operating voltage | 24 V DC |
| ■ Lifting force | 600 N |
| ■ Break-away force | 850 N |
| ■ Breaking current | 1.5 A |
| ■ Adjustable lift | 18 mm or 35 mm |
| ■ Lifting speed | 6 mm/s |
| ■ Maximum current of drive line | 3 A |
| ■ Duty ratio | 30 % |
| ■ Protection class | IP 43 |
| ■ Ambient temperature | -5°C up to +75°C |
| ■ Fixed connecting cable | silicone; 3 x 0.75 mm ² , approx. 2 m |
| ■ Length | 353 mm |
| ■ Depth | 25 mm |
| ■ Height | 25 mm |

Dimensioned drawings



ELTRAL VAN locking drive



ELTRAL VAN control unit

Mounting and operating Instructions

ELTRAL VAN 0-45469

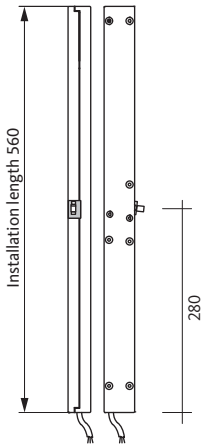
ELTRAL K25 chain drive – 230 V

200 to 400 mm lift, up to 250 N push/pull force



| Application, illustration | Description | PU | Order no. |
|---------------------------|-------------|----|-----------|
|---------------------------|-------------|----|-----------|

PVC windows



| ELTRAL K25 Solo chain drive – 230 V | | | |
|---|------|---|----------------|
| Type | Lift | | |
| | mm | | |
| K25 | 200 | 1 | K-17647-20-0-1 |
| K25 | 300 | 1 | K-17647-30-0-1 |
| K25 | 400 | 1 | K-17647-40-0-1 |
| ELTRAL K25 Synchro chain drive – 230 V | | | |
| Type | Lift | | |
| | mm | | |
| K25 | 200 | 2 | K-17582-20-0-1 |
| K25 | 300 | 2 | K-17582-30-0-1 |
| K25 | 400 | 2 | K-17582-40-0-1 |

Technical details

- High-performance chain drive
- Application preferably on tilt, top-hung or side-hung sashes
- Suitable for installation und verdeckt liegende Montage
- Electronically-controlled soft load cut-off
- Zinc die cast case, plastic-coated (RAL 9006)
- Reinforced sidebow chain of stainless steel
- No cable extension possible and lift reduction possible !

Technical data

- Operating voltage 230 V AC, 50 Hz
- Max. push/pull force 250 N
- Current consumption 0.2 A
- Lifting speed 8.0 mm/s
- Locking force 3000 N
- Duty ratio 30 %
- Protection class IP 32
- Ambient temperature -5 to +75 °C
- Connecting cable 4 x 0.75 mm², approx. 3 m
- Length/Height/Depth 560 x 30 x 42 mm

Mounting of ELTRAL K25 – 230 V

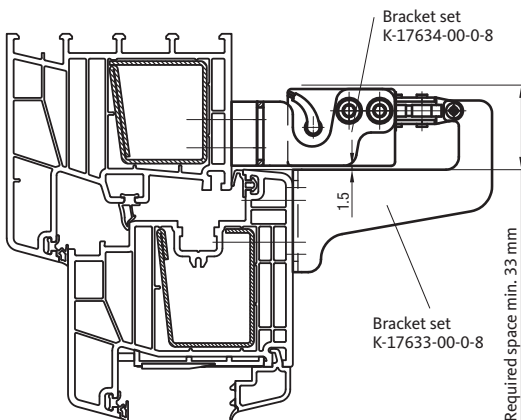
| | | |
|--|---|----------------|
| K25 mounting bracket set for inward-opening tilt sashes – mounting on frame | 1 | K-17636-00-0-8 |
| consisting of: | | |
| ■ K20 / K25 bracket set (K-17634-00-0-8) | | |
| ■ K20 / K25 bracket set (K-17633-00-0-8) | | |
| K25 mounting bracket set for inward-opening tilt sashes – mounting on sash | 1 | K-17637-00-0-8 |
| for outward-opening top-hung sashes – mounting on frame | | |
| consisting of: | | |
| ■ K20 / K25 chain holding fixture (K-17632-00-0-1) | | |
| ■ K20 / K25 mounting bracket (9-44724-00-9-8) | | |

Note:

Tandem or multiple systems on request

Installation drawings

Inward-opening tilt sashes – mounting on frame



Minimum sash height depending on lift

| Lift mm | 200 | 300 | 400 |
|----------------------|----------|----------|----------|
| Min. sash height, mm | 250*/425 | 350*/500 | 550*/600 |

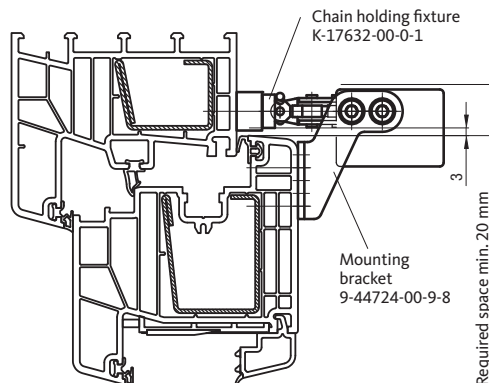
* = with pivotable drive (attachment with front screw only)

Installation drawing 0-45065

Mounting and operating Instructions

ELTRAL K25 Solo and Synchro **0-44929-GL-0**

Inward-opening tilt sashes – mounting on sash Outward-opening top-hung sashes – mounting on frame



Minimum sash height depending on lift

| Lift mm | 200 | 300 | 400 |
|----------------------|-----|-----|-----|
| Min. sash height, mm | 325 | 500 | 750 |

Installation drawing 0-45064

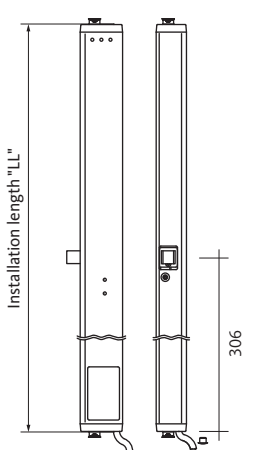
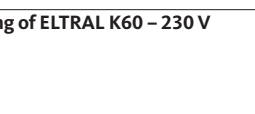


Mounting and operating Instructions

ELTRAL K25 Solo and Synchro **0-44929-GL-0**

ELTRAL K60 chain drive – 230 V

250 to 400 mm lift, up to 600 N push/pull force



| Application, illustration | Description | PU | Order no. | | | | | | | | | |
|--|---|----------------|----------------|----------------|------|----------------|----------------|-----|-----|---|----------------|--|
| PVC windows  | ELTRAL K60 Solo chain drive – 230 V Type Lift Length "LL" mm mm | | | | | | | | | | | |
| | <table border="1"> <tr> <td>K60</td> <td>250</td> <td>537</td> <td>1</td> <td>K-17649-25-0-1</td> </tr> <tr> <td>K60</td> <td>400</td> <td>613</td> <td>1</td> <td>K-17649-40-0-1</td> </tr> </table> | K60 | 250 | 537 | 1 | K-17649-25-0-1 | K60 | 400 | 613 | 1 | K-17649-40-0-1 | |
| K60 | 250 | 537 | 1 | K-17649-25-0-1 | | | | | | | | |
| K60 | 400 | 613 | 1 | K-17649-40-0-1 | | | | | | | | |
| | Technical details <ul style="list-style-type: none"> ■ Chain drive for large pressure loads ■ Electronically-controlled soft load cut-off through built-in microcontroller module ■ Stainless steel chain ■ Stepless control of running smoothness at small loads due to adjustable chain tension ■ Low power consumption ■ Mechanical release of chain for assembly or disassembly ■ Mounting bracket type depending on sash height ■ Aluminium drive case, anodised EV 1 ■ No cable extension possible ! | | | | | | | | | | | |
| | Technical data <ul style="list-style-type: none"> ■ Operating voltage 230 V AC, 50 Hz ■ Max. push/pull force 600 N ■ Current consumption 0.2 A ■ Lifting speed 10.0 mm/s ■ Locking force 3000 N ■ Duty ratio 30 % ■ Protection class IP 32 ■ Ambient temperature -5°C up to +75°C ■ Parallel circuit up to max. 8 drives ■ Connecting cable silicone; 6 x 0.75 mm², approx. 5 m ■ Height x Depth 40 x 56 mm | | | | | | | | | | | |
| Mounting of ELTRAL K60 – 230 V  | K60 mounting bracket set for inward-opening tilt sashes – mounting on frame consisting of: | 1 | K-17662-00-0-1 | | | | | | | | | |
| | <ul style="list-style-type: none"> ■ 2 x K60 mounting bracket (9-44860-00-0-0) ■ 1 x K60 Z-bracket (9-44713-00-0-0) | | | | | | | | | | | |
| | K60 mounting bracket set for inward-opening tilt sashes – mounting on sash K60 mounting bracket set for outward-opening top-hung sashes – mounting on frame Mounting bracket, short | 1 | K-17638-00-0-8 | | | | | | | | | |
| | consisting of: | | | | | | | | | | | |
| | <ul style="list-style-type: none"> ■ K60 chain holding fixture (K-17641-00-0-1) ■ K60 mounting bracket (9-44726-00-9-8) | | | | | | | | | | | |
| | Long mounting bracket | 1 | K-17640-00-0-8 | | | | | | | | | |
| | consisting of: | | | | | | | | | | | |
| | <ul style="list-style-type: none"> ■ K60 chain holding fixture (K-17641-00-0-1) ■ K60 mounting bracket (9-44727-00-9-8) | | | | | | | | | | | |
| | K60 mounting bracket set for outward-opening top-hung sashes – mounting on frame | 1 | K-17639-00-0-8 | | | | | | | | | |
| | consisting of: | | | | | | | | | | | |
| | <ul style="list-style-type: none"> ■ K60 chain holding fixture (K-17641-00-0-1) ■ K60 mounting bracket (9-44725-00-9-8) | | | | | | | | | | | |
| | K60 mounting bracket set for tilt sashes – mounting on sash for top-hung sashes – mounting on frame | 1 | K-17660-00-0-1 | | | | | | | | | |
| | consisting of: | | | | | | | | | | | |
| | <ul style="list-style-type: none"> ■ K60 chain holding fixture (K-17641-00-0-1) ■ K60 folding bracket (K-17642-00-0-1) | | | | | | | | | | | |
| ELTRAL K60 – 230 V accessories  | K60 cover profile of anodised aluminium | | | | | | | | | | | |
| | <ul style="list-style-type: none"> ■ protection against soiling ■ uniform appearance ■ individual colouring Length mm | | | | | | | | | | | |
| | <table border="1"> <tr> <td>1450</td> <td>1</td> <td>9-42211-00-0-1</td> </tr> <tr> <td>3000</td> <td>1</td> <td>9-42212-00-0-1</td> </tr> </table> | 1450 | 1 | 9-42211-00-0-1 | 3000 | 1 | 9-42212-00-0-1 | | | | | |
| 1450 | 1 | 9-42211-00-0-1 | | | | | | | | | | |
| 3000 | 1 | 9-42212-00-0-1 | | | | | | | | | | |
|  | Mounting set for K60 cover profile | 1 | K-17719-00-0-1 | | | | | | | | | |
| | consisting of: | | | | | | | | | | | |
| | <ul style="list-style-type: none"> ■ 1 lateral cover, left ■ 1 lateral cover, right ■ 2 spacers ■ 4 adhesive points ■ 1 closing plug (for cable outlet) | | | | | | | | | | | |

Note:
Tandem or multiple systems on request

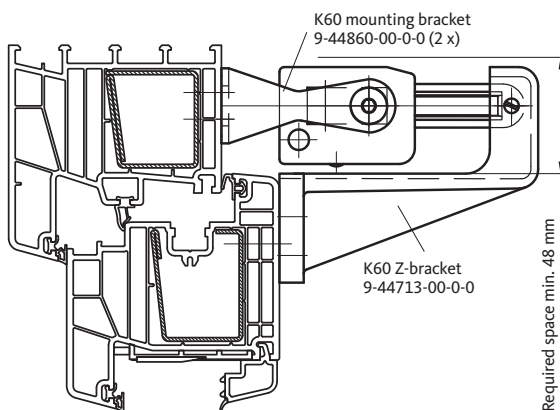
ELTRAL K60 chain drive – 230 V

250 to 400 mm lift, up to 600 N push/pull force



Installation drawings

Inward-opening tilt sashes – mounting on frame

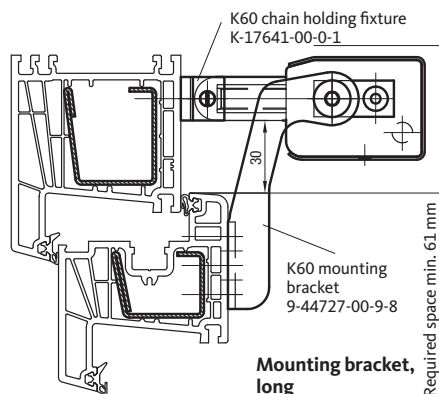
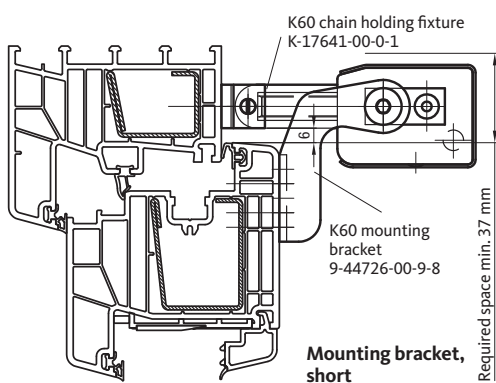


Minimum sash height depending on lift

| | | |
|----------------------|-----|-----|
| Lift, mm | 250 | 400 |
| Min. sash height, mm | 350 | 700 |

Installation drawing 0-45199 Mounting and operating instructions
ELTRAL K 60 0-44937-GL-0

Inward-opening tilt sashes – mounting on sash Outward-opening top-hung sashes – mounting on frame



Minimum sash height depending on lift


| | | | |
|----------------------|-------------------------|-----|-----|
| Lift mm | | 250 | 400 |
| Min. sash height, mm | Mounting bracket, short | 450 | 750 |
| | Mounting bracket, long | 250 | 400 |

Installation drawings Mounting and operating Instructions
Mounting bracket, short 0-45185 ELTRAL K 60 0-44937-GL-0
Mounting bracket, long 0-45186

ELTRAL S80 / 230V spindle drive

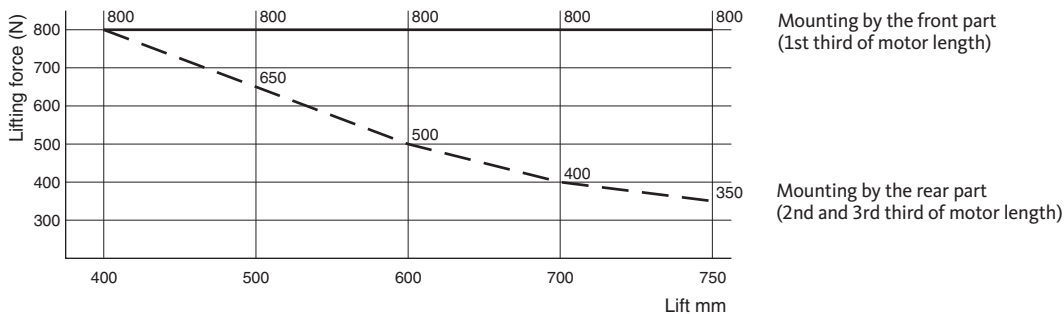
300 to 750 mm lift, 800 N lifting force



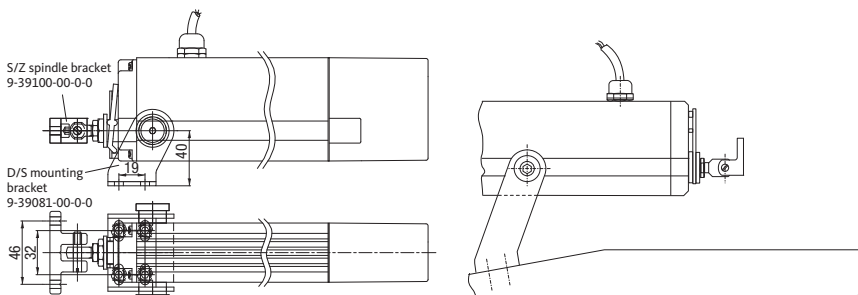
| Application, illustration | Description | PU | Order no. | | | | | | | | | | | |
|---|---|---------------------------|----------------|-------------|-------------|--|--------|-------------|--|--------|-------------|--|--------|---|
| PVC windows  | ELTRAL S80 – 230 V spindle drive | | | | | | | | | | | | | |
| | <table border="1"> <thead> <tr> <th colspan="2">Types with different lift</th> <th>Length "LL"</th> </tr> </thead> <tbody> <tr> <td>Lift 300 mm</td> <td></td> <td>490 mm</td> </tr> <tr> <td>Lift 500 mm</td> <td></td> <td>690 mm</td> </tr> <tr> <td>Lift 750 mm</td> <td></td> <td>940 mm</td> </tr> </tbody> </table> <p>Technical details</p> <ul style="list-style-type: none"> ■ Maintenance-free linear spindle drive ■ Resistant against humidity and corrosion ■ Aluminium drive case, anodised EV 1 ■ Mounting on bottom-hung, top-hung, side-hung, vertical-pivot, horizontal-pivot sashes, light domes, flaps and blinds ■ Durable, low-noise, spindle with self-locking feature ■ Lift limitation by means of limit switch and electronic overload cut-off <p>Technical data</p> <ul style="list-style-type: none"> ■ Operating voltage 230 V AC, 50 Hz ■ Push/pull force max. 800 N ■ Current consumption 0.12 A ■ Lifting speed 7.0 mm/s ■ Locking force 3500 N ■ Duty ratio 30 % ■ Protection class IP 54 ■ Ambient temperature -5°C up to +75°C ■ Parallel circuit up to max. 8 drives ■ Connecting cable 6 x 0.75 mm², approx. 1 m | Types with different lift | | Length "LL" | Lift 300 mm | | 490 mm | Lift 500 mm | | 690 mm | Lift 750 mm | | 940 mm | 1 |
| Types with different lift | | Length "LL" | | | | | | | | | | | | |
| Lift 300 mm | | 490 mm | | | | | | | | | | | | |
| Lift 500 mm | | 690 mm | | | | | | | | | | | | |
| Lift 750 mm | | 940 mm | | | | | | | | | | | | |
| Mounting of ELTRAL S80 – 230 V | S80 mounting bracket set [1] consisting of: <ul style="list-style-type: none"> ■ D/S mounting bracket ■ S/Z spindle bracket | 1 | K-17774-00-0-1 | | | | | | | | | | | |

[1] = for sash heights from 400 mm

Force-displacement curve



Installation drawings



Mounting with D/S mounting bracket

Mounting with S/230 V mounting bracket

Installation drawings

Top-hung sashes **0-44094**
 Skylights **0-45312**

Mounting and operating Instructions
 ELTRAL S80 **0-45289-GJ-0**

Accessories for 230 V drives

Rocker switch, rocker bush-button, key switch, sign, radio transmitter






| Application, illustration | Description | PU | Order no. |
|--|---|--------|----------------------------------|
| 230 V drives  | Rocker switch »OPEN-STOP-CLOSE« 1-pole, surface-mounted 1-pole, flush-mounted | 1 1 | 6-22539-00-0-0 6-22540-00-0-0 |
| 230 V drives  | Rocker push-button »OPEN-STOP-CLOSE« Surface-mounted Flush-mounted | 1 1 | 6-25220-00-0-0 6-25219-00-0-0 |
| 230 V drives  | Key switch »OPEN-STOP-CLOSE« with profile half cylinder Flush-mounted | 1 | 6-22992-00-0-0 |
| 230 V drives  | Signs in accordance with DIN 4066 Sign »Ventilation« 210 x 74 mm | 1 | 9-25546-00-0-1 |
| 230 V drives  | 42 FH radio transmitter | 1 | 9-42496-00-0-0 |
| 42 FH radio transmitter  | FAJ 6 UP radio actuator for installation in flush box 230 V AC 50Hz Switching capacity: 250 V ~700 VA | 1 | 9-42495-00-0-0 |

Accessories for 24 V drives

Power supply units,



| Application, illustration | Description | PU | Order no. | |
|---------------------------|--|--|----------------|----------------|
| Electric 24 V drives | NT power supply unit, 2.5 A Surface-mounted plastic case | 1 | 9-43994-00-0-0 | |
| | Technical details Power supply unit w/o synchronisation control ■ Connection of max. 2 linear drives or chain drives ■ parallel circuit of max. 8 power supply units ■ Limit switch tap <hr/> Technical data ■ Supply voltage 230 V AC, 50 Hz ■ Output voltage 24 V DC ■ Nominal power 54 VA ■ Duty ratio 30 % ■ Protection class IP 54 ■ Width 120 mm ■ Height 200 mm ■ Depth 86 mm | | | |
| Electric 24 V drives | NT power supply unit, 5 A Surface-mounted plastic case | 1 | 9-43995-00-0-0 | |
| | Technical details Power supply unit for ■ parallel circuit of max. 8 power supply units <hr/> Technical data ■ Supply voltage 230 V AC, 50 Hz ■ Output voltage 24 V DC ■ Nominal power 120 VA ■ Duty ratio 30 % ■ Protection class IP 54 ■ Width 220 mm ■ Height 168 mm ■ Depth 106 mm | | | |
| Power supply units, 24 V |  | Rocker switch »OPEN-STOP-CLOSE« 1-pole, surface-mounted | 1 | 6-22539-00-0-0 |
| | | 1-pole, flush-mounted | 1 | 6-22540-00-0-0 |
| Power supply units, 24 V |  | Rocker push-button »OPEN-STOP-CLOSE« Surface-mounted | 1 | 6-25220-00-0-0 |
| | | Flush-mounted | 1 | 6-25219-00-0-0 |
| Power supply units 24 V |  | Key switch »OPEN-STOP-CLOSE« with profile half cylinder Flush-mounted | 1 | 6-22992-00-0-0 |

G

Face-fixed fanlight openers

Drilling jigs and auxiliary tools



Drilling jigs and auxiliary tools – VENTUS F 200

| Application | Description | PU | Order no. | |
|---------------------|--|--|----------------|----------------|
| Tilt windows | Drilling jigs and auxiliary tools | | | |
| | F 200 drilling jig for angular sash bracket and short sash bracket – up to 16 mm overlap height | 1 | 6-29410-30-0-9 | |
| | F 200 drilling jig for angular sash bracket, short sash bracket and flat sash bracket – up to 16 mm overlap height | 1 | 6-29411-00-0-9 | |
| | F 200 drilling jig for angular sash bracket and short sash bracket – from 16 mm overlap height | 1 | 6-33234-30-0-9 | |
| | F 200 drilling jig for angular sash bracket, short sash bracket and flat sash bracket – from 16 mm overlap height | 1 | 6-33235-00-0-9 | |
| | Drilling jig for connecting F 200 with angular sash bracket and short sash bracket – up to 16 mm overlap height | 1 | 6-29474-01-0-9 | |
| | Drilling jig for connecting F 200 with angular sash bracket, short sash bracket and flat sash bracket – up to 16 mm overlap height | 1 | 6-29474-02-0-9 | |
| | Drilling jig for connecting F 200 with angular sash bracket and short sash bracket – from 16 mm overlap height | 1 | 6-33236-01-0-9 | |
| | Drilling jig for connecting F 200 with angular sash bracket, short sash bracket and flat sash bracket – from 16 mm overlap height | 1 | 6-33236-02-0-9 | |
| | F 200 drilling jig sash bracket – hardware groove | 1 | 6-33615-00-0-1 | |
| | Drilling jig for VENTUS F 200 axially pivotable lever | 1 | 9-30911-00-0-1 | |
| | Drilling jig for additional locking devices, horizontal and vertical | 1 | 9-29311-00-0-1 | |
| | Drilling jig for arched and segmental arched windows 1 stay | 1 | 9-39659-00-0-0 | |
| | Drilling jig for sash bracket with articulation | 1 | 6-29650-00-0-1 | |
| | Top-hung windows | F 200 drilling jig, outward-opening, for stay and angular sash bracket, Dim. Y = 0-40 mm | 1 | 6-29490-00-0-0 |
| | | Angular top for F 200 drilling jig, outward-opening, for angular sash bracket, Dim. Y = 41-75 mm | 1 | 6-29583-00-0-0 |

Drilling jigs – VENTUS F 300

| Application | Description | PU | Order no. |
|---------------------|--|----|----------------|
| Tilt windows | Drilling jigs | | |
| | Drilling jig for corner angle | 1 | 6-26980-00-0-0 |
| | Drilling jig for stay and hand lever | 1 | 6-26981-00-0-0 |
| | Drilling jig for VENTUS F 300 axially pivotable lever | 1 | 9-35619-00-0-1 |
| | Drilling jig for additional locking devices, horizontal and vertical | 1 | 6-27631-00-0-1 |

Drilling jigs – vertical and corner gears

| Application | Description | PU | Order no. |
|-------------------|---|----|----------------|
| Articulated crank | Drilling jigs | | |
| | Drilling jig for crank rod | 1 | 6-22276-00-0-0 |
| Corner gear | Drilling jig for corner gear – VENTUS F 200 | | |
| | 3.0 mm drill Ø | 1 | 6-25841-02-0-0 |
| | 3.5 mm drill Ø | 1 | 6-25841-03-0-0 |
| | Drilling jig for corner gear – VENTUS F 300 | 1 | 6-27352-00-0-0 |

Testing cable and portable test set for ELTRAL electric drives

| Application | Description | PU | Order no. |
|---------------------------------|--|----|----------------|
| ELTRAL S electric drives | Test cable, complete for ELTRAL S 230 L, ELTRAL S 230 E | 1 | 6-26338-00-0-0 |
| ELTRAL electric drives | Portable test set 230 V, 24 V for ELTRAL S 230 L, S 230 E, S 24 L ELTRAL 300 E1, 300/24 ELTRAL K chain drives ELTRAL S spindle drives ELTRAL Z rack and pinion drive | 1 | K-17736-00-0-0 |



Contents

This catalogue section contains miscellaneous hardware for tilt and top-hung PVC windows according to the latest state of the art.

The following information will make you familiar with the catalogue structure which is conceived in a way to facilitate your daily work.

Catalogue structure

This catalogue section is structured as follows:

- Illustration of the hardware
- Single parts

The catalogue section is structured to meet the requirements of the customers.

Single parts

The ordering part contains packing units including their contents, all single parts and accessories as well as tools and auxiliary means. Information on application, colour and packing units make ordering easy.

Order numbers

The order number gives information about

- the product,
- its size,
- its application – e.g. DIN LH or DIN RH – and
- its colour.

Example

Order number
6-23470-10-0-1

6-23470- - - order number
- -10- - size
- - -L- left-side mounting
- - -R- right-side mounting
- - -0- non-handed
- - - -1 F 1/EV 1, natural (silver) colour,
ferGUard*silver
- - - -2 F 2/EV 2, nickel silver / champaign colour
- - - -3 F 3, brass colour or gold colour
- - - -4 UC 3, medium bronze colour or medium brown
- - - -A F 4, bronze colour
- - - -C titanium colour
- - - -5 UC 5, dark bronze colour or dark brown
(RAL 8022)
- - - -6 onyx-matt or black (RAL 9005)
- - - -7 white (RAL 9016)
- - - -7T white (RAL 9010)
- - - -8 stainless steel or stainless steel colour
- - - -* various finishes available

If the last digit of the order number is an asterisk

*

various colours are available which can be taken from the price list.

Prices

GU gross price list

The prices are listed by ascending order numbers.

Additional sales documents

Apart from the order catalogue, the following documents on miscellaneous hardware are available:

- Brochures giving information about product features and benefits
- Installation drawings with hardware installation instructions



Application

The GU miscellaneous hardware range comprises:

- Safety stays for tilt windows
- Rebate stays for tilt windows
- Fanlight catches

Application range

GU EURO-SOLID safety stay

To enhance the operation safety of tilt windows, the tendering guidelines of the "Institut für Fenstertechnik" (ift), Rosenheim, recommend the use of safety stays.

The GU EURO-SOLID safety stay consists of a single telescopic rod. There are 4 sizes for different sash heights.

There is a universal stay for all timber tilt sashes, whereas system-specific stays are available for PVC or aluminium sashes.

Rebate stays

To enhance the operation safety of tilt windows, the tendering guidelines of the "Institut für Fenstertechnik" (ift), Rosenheim, recommend the use of rebate stays.

PERPLEX fanlight catch

The PERPLEX fanlight catch is a simple locking device for small and lightweight tilt sashes, wherever the installation of a fanlight opener is not required.

Materials, surface sealing ferGUard*silver

The hardware components are made of high-quality steel, zinc die cast and aluminium alloys.

Depending on the material, the hardware components are protected against corrosion with ferGUard*silver surface sealing.

Abbreviations

| | |
|-----|--------------------|
| PU | packing unit |
| SH | sash height |
| SRH | sash rebate height |
| SRW | sash rebate width |
| ST | sash thickness |
| SW | sash width |

Product information of profile system manufacturers

The product guidelines of the profile manufacturers regarding construction, assembly, max. sash dimensions, max. sash weights and material qualities (e.g. linear expansion) are to be observed.

GU security stay EURO-SOLID

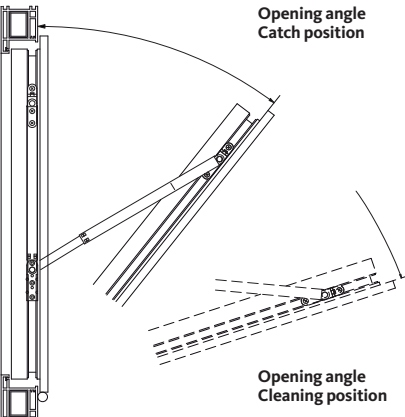
Seperate delivery: Security stay + bag of accessories according to profile system



GU EURO-SOLID safety stays without accessories

| Application, illustration | Description | PU | Order no. | |
|---------------------------|----------------------------------|------------------|----------------|----------------|
| Tilt windows | GU EURO-SOLID safety stay | | | |
| | SH | Opening angle | | |
| | F 200/F 300 | Catch position | | |
| | 270- 350 | approx. 30° | 100 | 6-27995-01-0-1 |
| | 351- 500 | approx. 40 – 45° | 100 | 6-27995-02-0-1 |
| | 501- 800 | approx. 25 – 30° | 100 | 6-27995-03-0-1 |
| | 801-1500 | approx. 15 – 20° | 100 | 6-27995-04-0-1 |
| | Drilling jig | 1 | K-14788-00-0-0 | |

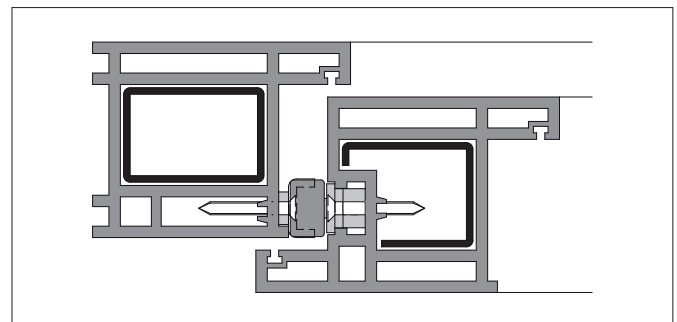
Profile-related accessories set

| Application, illustration | Description | PU | Order no. |
|--|-----------------------------------|----------------|----------------|
|  | EURO-SOLID accessories set | | |
| | Profile system | | |
| | Hocoplast H 120 | 20 | K-14681-00-0-1 |
| | Intertec Greiner | | |
| | Illerplastic | | |
| | Jansen | | |
| | Salamander Universal and Design | | |
| | Weru | | |
| | Profile system | | |
| | Actual A 400 | 20 | K-14682-00-0-1 |
| | Aluplast Ideal 2000 | | |
| | Brüggmann Serie 81, AD and MD | | |
| | Profine KBE MD | | |
| | Internorm | | |
| | Knipping | | |
| | LB. Profile PAD and PMD | | |
| | Plus Plan 3K AD | | |
| | Rehau S 730 | | |
| | Soprofen T 62 | | |
| | Schüco Corona CT 70 | | |
| Trocal 900, InnoNova 2000 | | | |
| Tryba E 58 | | | |
| VEKA Softline AD and MD, Topline | | | |
| Profile system | | | |
| Aluplast Ideal 4000 and 5000 | 20 | K-14683-00-0-1 | |
| Profine EURODUR 3S, EuroFutur Elegance | | | |
| Gealan S 3000 and S 8000 | | | |
| Hocoplast H 100 | | | |
| Profine KBE AD | | | |
| Schüco Corona AS + MD | | | |
| Reckendrees | | | |
| Roplasto 6001 | | | |
| Inoutic AD, MD and MD 100 | | | |
| Profile system | | | |
| Deceuninck 2000 | 20 | K-14837-00-0-1 | |
| Profine EuroFutur Avantgarde | | | |
| Schüco AS | | | |
| Schock Thermassiv | | | |
| Profile system | | | |
| Aluplast Signum 21 | 20 | K-14842-00-0-1 | |

Maximum sash weights

The maximum sash weight depends on number and size of stays per sash

| SH | Size | 1 stay | 2 stays |
|-------------|------|--------|---------|
| F 200/F 300 | | | |
| 270- 350 | 01 | 15 kg | 30 kg |
| 351- 500 | 02 | 15 kg | 30 kg |
| 501- 800 | 03 | 30 kg | 60 kg |
| 801-1500 | 04 | 30 kg | 60 kg |

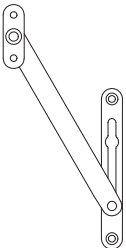


Installing the GU EURO-SOLID safety stay

Miscellaneous hardware

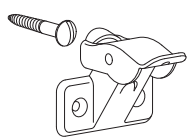
Rebate stays, PERPLEX fanlight catch



| Application, illustration | Description | PU | Order no. |
|---|--|----|----------------|
| Tilt windows  | Rebate stay #24 with sliding arm, arm length | | |
| | 150 | 50 | 5-21021-15-0-1 |
| | 200 | 50 | 5-21021-20-0-1 |

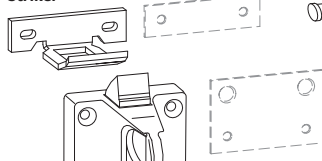
Rebate stay no. 24

| | | | |
|--|--|-----|----------------|
| Tilt windows for sashes with overlap | PERPLEX 45 fanlight catch for screw fixing | 100 | 5-20833-00-0-1 |
|--|--|-----|----------------|



PERPLEX 45

Striker



Fanlight catch

Operation rod 980 mm
G-12083-10-0-1



| | | |
|--|---------------|------------------|
| Fanlight catch set for 6 mm overlap thickness [1] for screw fixing | 20 | G-18412-01-0-* |
| Operating rod 980 mm [2] | 1 | G-12083-10-0-1 |
| Packers for fanlight catch set [2] | | |
| Application | Thickness, mm | |
| Strike plate | 0.5 | 1 E-12084-05-0-1 |
| | 1.0 | 1 E-12084-10-0-1 |
| | 3.0 | 1 E-12084-30-0-1 |
| | | |
| Fanlight catch | 0.5 | 1 E-12071-05-0-1 |
| | 1.0 | 1 E-12071-10-0-1 |
| | 3.0 | 1 E-12071-30-0-1 |

[1] * = Colour: 1 = EV 1, 6 = black, 7 = white (RAL 9016) [2] Not contained in fanlight catch set



General information

| | |
|--|-----|
| Introduction..... | 379 |
| Controlled ventilation..... | 379 |
| Basis for the planning and implementation..... | 379 |

Products

Humidity-sensitive ventilators

| | |
|------------------------------------|-----|
| Product information..... | 380 |
| Order information..... | 381 |
| Air inlet / on window..... | 382 |
| Canopies..... | 385 |
| Air inlet / on shutter casing..... | 386 |
| Air inlet / on wall..... | 387 |

Adjustable ventilators

| | |
|---------------|-----|
| Duco TOP..... | 388 |
| Duco TON..... | 388 |



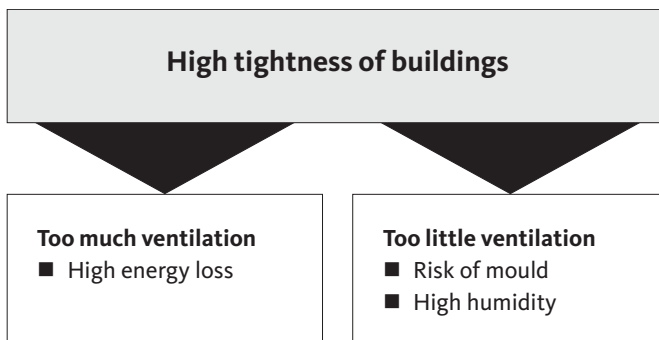
Basis for the planning and implementation

Standard: DIN 1946 – 6 “Ventilation for residential buildings“ (May 2009)

General requirements, requirements for measuring, performance and labelling, delivery/acceptance (certification) and maintenance. The DIN 1946-6 standard regulates the suitability of a ventilation system for residential use and the airflows required under the aspects referred to above. New construction generally requires a ventilation concept. Renovations require a ventilation concept, if more than a third of the windows in a single or multi-family house are exchanged, or if more than a third of the roof area is sealed.

Basics:

Need for ventilation



Controlled ventilation

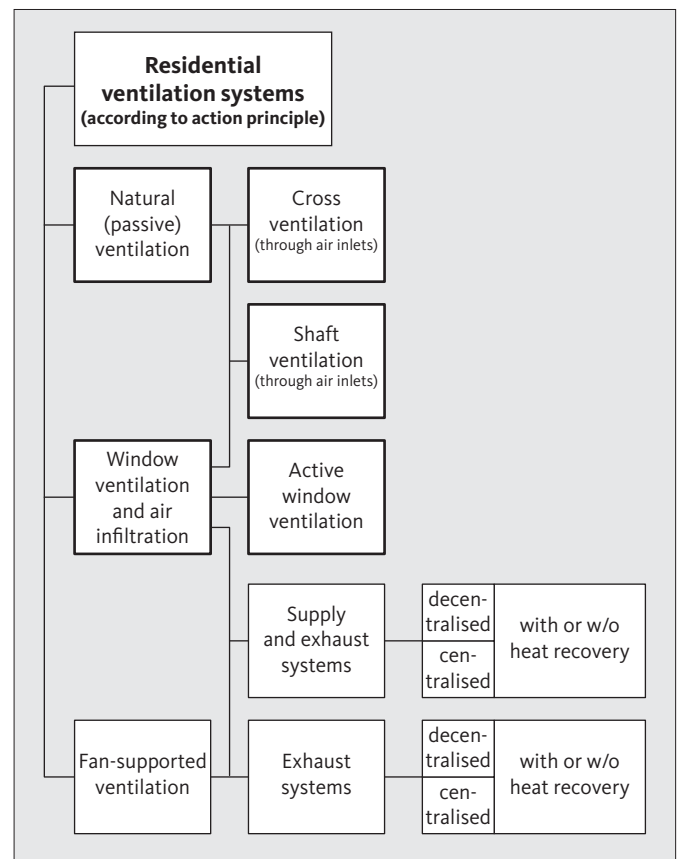
In the past, small leaks in the building envelope used to provide for air supply to the interior. Today, due to the high tightness of building envelopes, this kind of "uncontrolled" ventilation hardly exists anymore. Consequently, there is an increased risk of mould due to excessive humidity, unless rooms are ventilated frequently enough.

Controlled ventilation is therefore required taking into account energetic, hygienic and structural requirements. In order to meet these requirements, it would be necessary to ventilate the room 4-8 times a day with the windows fully open. According to recent court rulings, this is nowadays considered "unreasonable", especially if a tenant is working.

Result:

The minimum airflow from outside that is required to prevent moisture must be ensured independently of the residents.

Residential ventilation systems



For natural ventilation and window ventilation, we offer a variety of solutions.

We also offer advice and solutions in the field of air supply through mechanical ventilation.



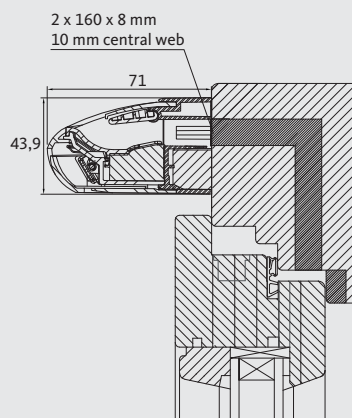
Application range of humidity-sensitive ventilators

- For all frame materials: timber, PVC, aluminium
- Retrofitting on installed windows possible
- Humidity-sensitive: modulates the airflow according to the local relative humidity rate
- Easy mounting / simple handling

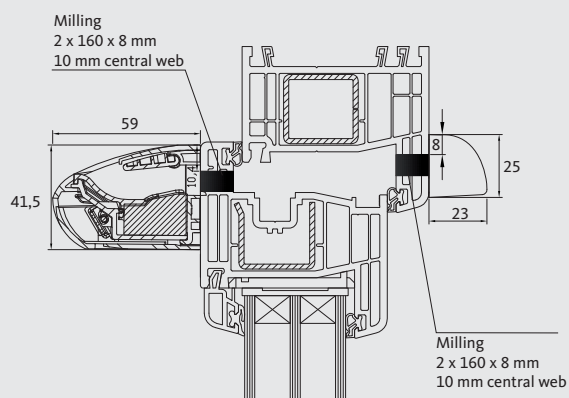
Examples of ventilator versions



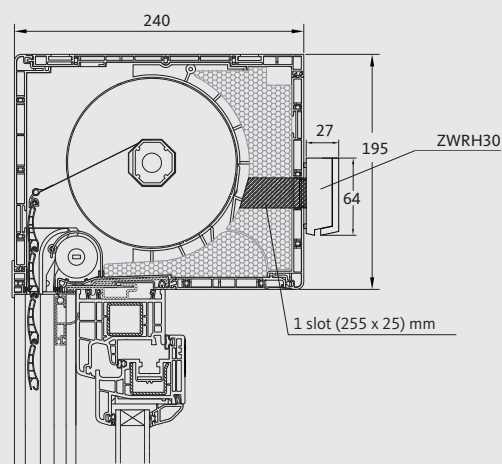
Installation examples



Installation on timber window
ZFH(V)A 5-35



Installation on PVC window
ZFH(V) 5-35



Installation on shutter casing

We should be pleased to offer you further solutions on request.

Humidity-sensitive ventilators

Order information



Overview

Humidity-sensitive ventilators with and without sound-absorbing feature

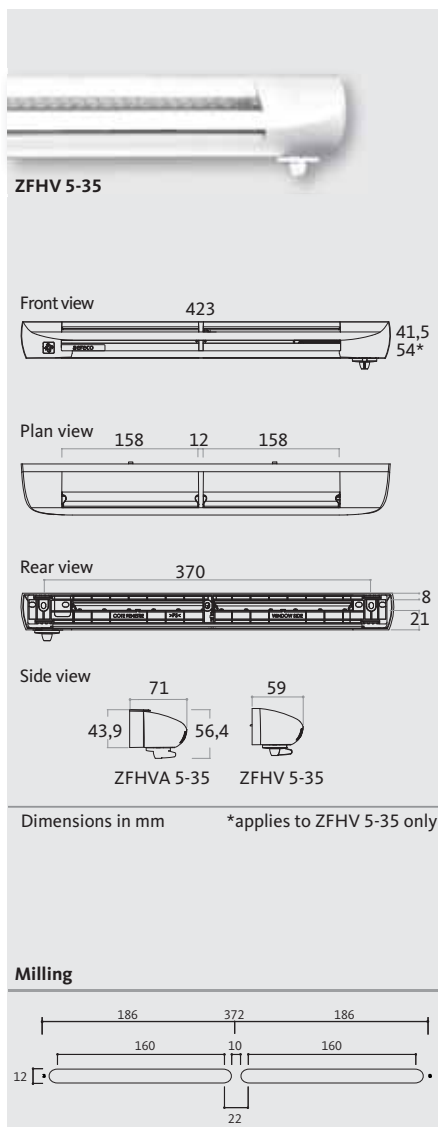
| Order number | Description | Explanation | Page | |
|--------------------|-------------|-------------------------------|--|-----|
| H-01371-00-0-7 | ZFHV 40 | Humidity-sensitive ventilator | Air inlet / window / hygro / closable | 384 |
| H-01372-00-0-7 | ZFH 40 | Humidity-sensitive ventilator | Air inlet / window / hygro | 384 |
| H-01373-00-0-7 | ZFHVA 5-35 | Humidity-sensitive ventilator | Air inlet / window / hygro / closable / acoustic | 382 |
| H-01374-00-0-7 | ZFHA 5-35 | Humidity-sensitive ventilator | Air inlet / window / hygro / acoustic | 382 |
| H-01375-00-0-7 | ZFHV 5-35 | Humidity-sensitive ventilator | Air inlet / window / hygro / closable | 382 |
| H-01376-00-0-7 | ZFH 5-35 | Humidity-sensitive ventilator | Air inlet / window / hygro | 382 |
| H-01377-00-0-7 | ZFHNV 30 | Humidity-sensitive ventilator | Air inlet / window / hygro / with adjustable inclination angle / closable | 383 |
| H-01378-00-0-7 | ZFHN 30 | Humidity-sensitive ventilator | Air inlet / window / hygro / with adjustable inclination angle | 383 |
| H-01379-00-0-7 | ZFHF 50 | Humidity-sensitive ventilator | Air inlet / window / hygro | 384 |
| H-01380-00-0-7 | ZWRH 30 | Humidity-sensitive ventilator | Air inlet / shutters / hygro / mounting on shutter casing | 386 |
| H-01381-00-0-7 | KWHRVA 01 | Humidity-sensitive ventilator | Air inlet set, on wall, hygro, Dn,e,w 45 db | 387 |
| H-01382-00-0-7 | KWHRVA 02 | Humidity-sensitive ventilator | Air inlet set, on wall, hygro, Dn,e,w 52 db | 387 |
| H-01387-00-0-7 | WHI 05 | Canopy | Canopy with insect screen | 385 |
| H-01388-00-0-7 | WHAI 02 | Canopy | Canopy, acoustic, with insect screen for ZFH 40 | 385 |
| H-01389-00-0-7 | WHI 06 | Canopy | Canopy, flat | 385 |
| H-01390-00-0-7 | LG 02 | Ventilation grille | Extra flat ventilation grille, PVC | 385 |
| H-01391-00-0-7 | LG 03 | Ventilation grille | Extra flat ventilation grille, aluminium | 385 |
| H-01392-00-0-7 | WHI 07 LMB | Canopy | Canopy with airflow restrictor | 385 |
| H-01393-00-0-7 | WHAI 03 | Canopy | Canopy, acoustic with insect screen for ZFHN(V) | 385 |
| Accessories | | | | |
| H-01383-00-0-7 | | Air channel 02 II | Air channel 02 for PVC windows | |
| H-01384-00-0-7 | | Air channel 02 extension | Air channel 02 extension for PVC windows | |
| H-01385-00-0-7 | SK 01 | Acoustic environment | Acoustic environment for air inlet on window | |
| H-01386-00-0-7 | SK 02 | Acoustic environment | Additional acoustic environment (in addition to SK 01) for air inlet on window | |
| H-01394-00-0-0 | VRW 01 | Closing device | Closing device for ZWRH 30 | |
| H-01395-00-0-0 | VF 02 | Closing device | Closing device for ZFH 40 | |
| H-01396-00-0-0 | VF 06 | Closing device | Closing device for ZFHV 5-35 | |
| H-01397-00-0-0 | VF 03 | Closing device | Closing device for ZFHN 30 | |

| Legend | | | |
|--------|--|------|-------------------------------------|
| Z | Air inlet | N | Inclination angle, adjustable |
| F | Window sash or window frame | V | Closable |
| W | Wall | A | Acoustic |
| R | Shutter casing | WDVS | Thermal insulation composite system |
| H | Hygrometrically-controlled (Hygro) | 30 | Series |
| K | Constant (for air inlets on windows) | 40 | Series |
| K | Channel (applies only to on-wall air inlets) | 5-35 | Series |

Example: ZFHVA 5-35 = Air inlet / window / hygro / closable / acoustic / series 5-35

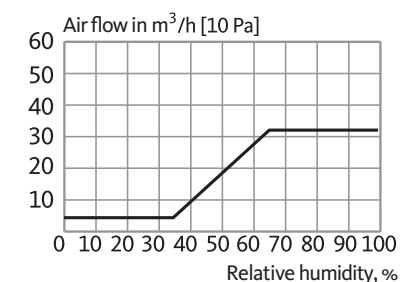
Humidity-sensitive ventilators

Air inlet / on window



| Air inlet / on window | | ZFH 5-35 | ZFHV 5-35 | ZFHA 5-35 | ZFHVA 5-35 |
|--|-------------------|----------------|----------------|----------------|----------------|
| Airflow parameters | | | | | |
| Humidity-controlled (30-years' years guarantee on humidity control) | | ■ | ■ | ■ | ■ |
| Closing device | | | ■ | | ■ |
| Airflow (min – max) [10 Pa] / to EN 13141 parts 1 and 9** | m ³ /h | 4.4 – 31.5 | 4.4 – 31.5 | 3.9 – 29.3 | 3.9 – 29.3 |
| With acoustic base plate | | | | ■ | ■ |
| Max. opening area | cm ² | 39.25 | 39.25 | 39.25 | 39.25 |
| Acoustic parameters | | | | | |
| Dn,e,w (C) acoustic attenuation @ max. opening with WHI 05/WHI 06/WHI 07 LMB | dB | 36 | 36 | 38 | 38 |
| Dn,e (C) acoustic attenuation @ max. opening with WHAI 02 | dB | 39 | 39 | 41 | 41 |
| Accessories | | | | | |
| Canopy with insect screen | | WHI 05/WHI 06 | WHI 05/WHI 06 | WHI 05/WHI 06 | WHI 05/WHI 06 |
| Canopy with airflow restrictor | | WHI 07 LMB | WHI 07 LMB | WHI 07 LMB | WHI 07 LMB |
| Acoustic canopy | | WHA1 02 | WHA1 02 | WHA1 02 | WHA1 02 |
| Flat ventilation grille | | LG 02/LG 03 | LG 02/LG 03 | LG 02/LG 03 | LG 02/LG 03 |
| Acoustic base plate (exchange part for standard base plate) | | SK 03 | SK 03 | | |
| Telescopic channel for hollow chamber profile | | Air channel 02 | Air channel 02 | Air channel 02 | Air channel 02 |
| Characteristics | | | | | |
| Weight | g | 233 | 236 | 300 | 303 |
| Colour | | White | White | White | White |
| Material | | PS, ABS | PS, ABS | PS, ABS | PS, ABS |
| Installation | | | | | |
| Milling (2 millings with 12 mm central web) | mm | 2 x (160x12) | 2 x (160x12) | 2 x (160x12) | 2 x (160x12) |
| Mounting on window | | ■ | ■ | ■ | ■ |
| ■ Standard | | | | | |

Airflow parameters

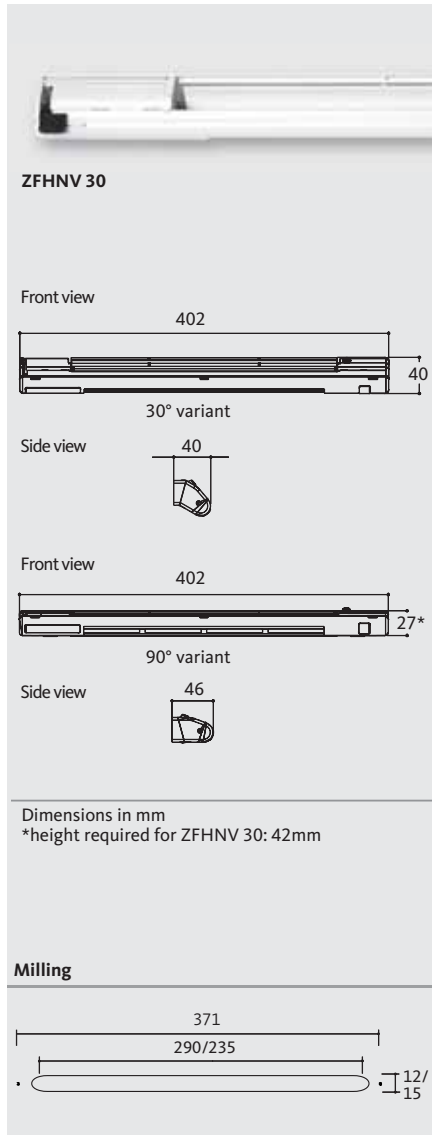


—ZFH... 5-35

| **Airflow rates with [... Pa] tested in accordance with EN 13141 parts 1 and 9 [m ³ /h] | | | | | |
|--|--------------|--------------|--------------|--------------|--------------|
| | 8 Pa | 7 Pa | 5 Pa | 4 Pa | 2 Pa |
| ZFH 5-35 / ZFHV 5-35 | 3.9 ... 28.2 | 3.7 ... 26.3 | 3.1 ... 22.3 | 2.8 ... 19.9 | 2.0 ... 14.1 |
| ZFHA 5-35 / ZFHVA 5-35 | 3.5 ... 26.2 | 3.3 ... 24.5 | 2.8 ... 20.7 | 2.5 ... 18.5 | 1.7 ... 13.1 |

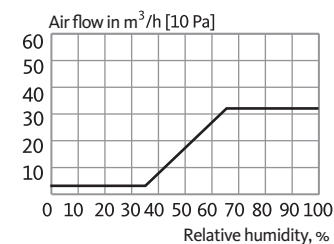
Humidity-sensitive ventilators

Air inlet / on window



| Air inlet / on window | | ZFHNV 30 | ZFHNV 30 |
|--|-------------------|----------------------|----------------------|
| Airflow parameters | | | |
| Humidity-controlled (30-years' years guarantee on humidity control) | | ■ | ■ |
| Closing device | | ● | ■ |
| Airflow (min – max) [10 Pa] / to EN 13141 parts 1 and 9** | m ³ /h | 2.5 – 30.8 | 2.5 – 30.8 |
| Max. opening area | cm ² | 40.00 | 40.00 |
| Acoustic parameters | | | |
| Dn,e,w (C) acoustic attenuation @ max. opening with WHI 05/WHI 06/WHI 07 LMB | dB | 33 | 33 |
| Dn,e (C) acoustic attenuation @ max. opening with WHAI 03 | dB | 36 | 36 |
| Accessories | | | |
| Canopy with insect screen | | WHI 05 / WHI 06 | WHI 05 / WHI 06 |
| Canopy with airflow restrictor | | WHI 07 LMB | WHI 07 LMB |
| Acoustic canopy | | WHA1 03 | WHA1 03 |
| Flat ventilation grille | | LG 02 / LG 03 | LG 02 / LG 03 |
| Telescopic air channel for hollow chamber profiles | | Air channel 02 | Air channel 02 |
| Characteristics | | | |
| Weight | g | 170 | 180 |
| Colour | | White | White |
| Material | | PS | PS |
| Installation | | | |
| Milling (recommended) | mm | 290 x 12 or 235 x 15 | 290 x 12 or 235 x 15 |
| Mounting on window | | ■ | ■ |
| ■ Standard ● optional | | | |

Airflow parameters

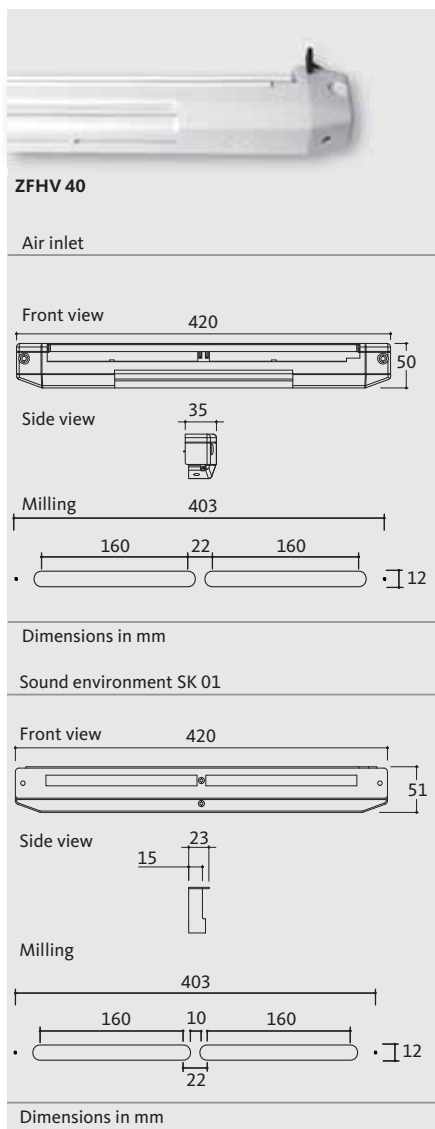


— ZFHNV 30

| **Airflow rates with [... Pa] tested in accordance with EN 13141 parts 1 and 9 [m ³ /h] | | | | | |
|--|--------------|--------------|--------------|--------------|--------------|
| | 8 Pa | 7 Pa | 5 Pa | 4 Pa | 2 Pa |
| ZFHNV 30 / ZFHNV 30 | 2.2 ... 27.5 | 2.1 ... 25.8 | 1.7 ... 21.8 | 1.6 ... 19.5 | 1.1 ... 13.8 |

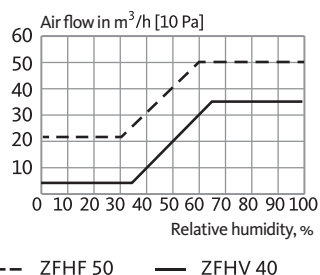
Humidity-sensitive ventilators

Air inlet / on window



| Air inlet / on window | | ZFH 40 | ZFHV 40 | ZFHF 50 |
|--|-------------------|-----------------|-----------------|-----------------|
| Airflow parameters | | | | |
| Humidity-controlled (30-years' years guarantee on humidity control) | | ■ | ■ | ■ |
| Closing device | | ● | ■ | |
| Airflow (min – max) [10 Pa] / to EN 13141 parts 1 and 9 (ZFH 40 / ZFHV 40)** | m ³ /h | 3.3 – 35.6 | 3.3 – 35.6 | 20 – 50 |
| Max. opening area | cm ² | 40.00 | 40.00 | 50.00 |
| Acoustic parameters | | | | |
| Dn,e,w (C) acoustic attenuation @ max. opening with WHI 05/WHI 06/WHI 07 LMB | dB | 36 | 36 | not specified |
| Dn,e,w (C) acoustic attenuation @ max. opening with Sk 01 + WHI 05/WHI 06/WHI 07 LMB | dB | 40 | 40 | not specified |
| Dn,e (C) acoustic attenuation @ max. opening with SK 01 and WHAI 02 | dB | 43 | 43 | not specified |
| Accessories | | | | |
| Canopy with insect screen | | WHI 05 / WHI 06 | WHI 05 / WHI 06 | WHI 05 / WHI 06 |
| Canopy with airflow restrictor | | WHI 07 LMB | WHI 07 LMB | WHI 07 LMB |
| Acoustic canopy | | WHA1 02 | WHA1 02 | WHA1 02 |
| Flat ventilation grille | | LG 02 / LG 03 | LG 02 / LG 03 | LG 02 / LG 03 |
| Acoustic environment | | SK 01 | SK 01 | SK 01 |
| Telescopic channel for hollow chamber profile | | Air channel 02 | Air channel 02 | Air channel 02 |
| Characteristics | | | | |
| Weight | g | 230 | 230 | 230 |
| Colour | | White | White | White |
| Material | | PS, ABS | PS, ABS | PS, ABS |
| Installation | | | | |
| Milling (2 millings with 22 mm central web) | mm | 2 x (160x12) | 2x (160x12) | 2x (160x15) |
| Mounting on window | | ■ | ■ | ■ |
| ■ Standard ● optional | | | | |

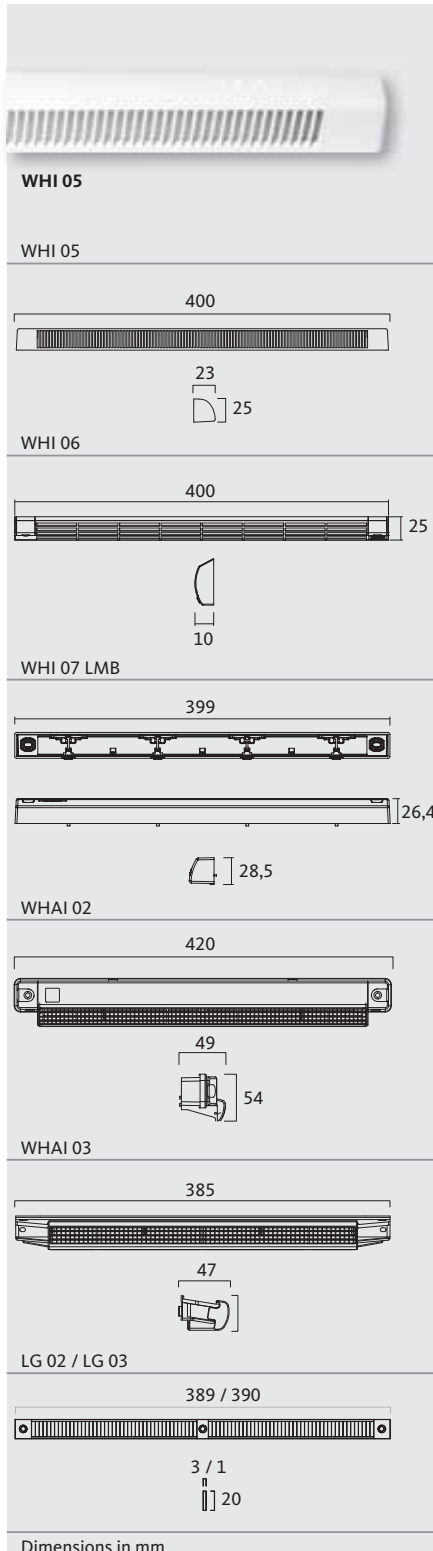
Airflow parameters



| **Airflow rates with [... Pa] tested in accordance with EN 13141 parts 1 and 9 [m ³ /h] | | | | | |
|--|--------------|--------------|--------------|--------------|--------------|
| | 8 Pa | 7 Pa | 5 Pa | 4 Pa | 2 Pa |
| ZFH 40 / ZFHV 40 | 3.0 ... 32.7 | 2.8 ... 29.8 | 2.3 ... 25.2 | 2.1 ... 22.5 | 1.5 ... 15.9 |
| ZFHF 50 | 18 ... 45 | 16.7 ... 42 | 14.4 ... 35 | 12 ... 32 | 8 ... 22 |

Humidity-sensitive ventilators

Canopies



Milling dimensions: see particular air inlet

| Canopy | | WHI 05 | WHI 06 | WHI 07 LMB | WHAI 02 | WHAI 03 |
|------------------------|----|---------------------------|--------------------------------|--------------------------------|------------------------------------|------------------------------------|
| Description | | Canopy with insect screen | Flat canopy with insect screen | Canopy with airflow restrictor | Acoustic canopy with insect screen | Acoustic canopy with insect screen |
| Air inlet (matching) | | Window | Window | Window | ZFH... 5-35 / 40 / 50 | ZFH... 30 |
| Characteristics | | | | | | |
| Weight | g | 38 | 30 | 75 | 216 | 174 |
| Colour | | White | White | White | White | White |
| Material | | PVC | PVC | PVC | PVC | PVC |
| Dimensions | mm | 400 x 25 x 23 | 400 x 25 x 10 | 400 x 28 x 26 | 420 x 54 x 49 | 385 x 35 x 47 |
| Insect screen | | ■ | ■ | ■ | ■ | ■ |
| Installation | | | | | | |
| Milling | mm | see air inlet | see air inlet | see air inlet | see air inlet | see air inlet |
| Mounting on window | | ■ | ■ | ■ | ■ | ■ |

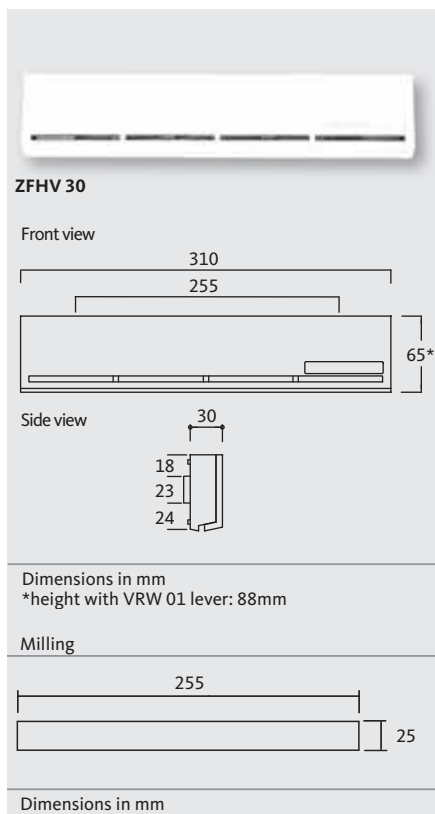
■ Standard

| Canopy | | LG 02 | LG 03 |
|------------------------|----|--|--|
| Description | | Flat ventilation grille with insect screen | Flat ventilation grille with insect screen |
| Air inlet (matching) | | on window | on window |
| Characteristics | | | |
| Weight | g | 25 | 25 |
| Colour | | White | Natural colour anodised |
| Material | | PVC | Aluminium |
| Dimensions | mm | 389 x 20 x 3 | 390 x 20 x 1 |
| Insect screen | | ■ | ■ |
| Installation | | | |
| Milling | mm | see air inlet | see air inlet |
| Mounting on window | | ■ | ■ |

■ Standard

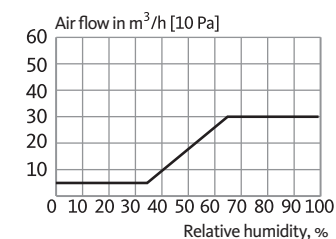
Humidity-sensitive ventilators

Air inlet / on shutter casing



| Air inlet / on shutter casing | | ZWRH 30 |
|--|-------------------|----------|
| Airflow parameters | | |
| 'Hygro', 30-years' years guarantee on humidity control | | ■ |
| Closing device | | ○ |
| Airflow (min – max) [10 Pa]** | m ³ /h | 5 – 30 |
| Max. opening area | cm ² | 32.50 |
| Acoustic parameters | | |
| Dn,e (C) acoustic attenuation @ max. opening | dB | 33 |
| Accessories | | |
| Closing device (VRW 01) | | ○ |
| Characteristics | | |
| Weight | g | 250 |
| Colour | | White |
| Material | | PS, ABS |
| Installation | | |
| Milling on shutter casing | mm | 255 x 25 |
| Mounting on shutter casing | | ■ |
| ■ Standard ○ optional | | |

Airflow parameters



— ZWRH 30

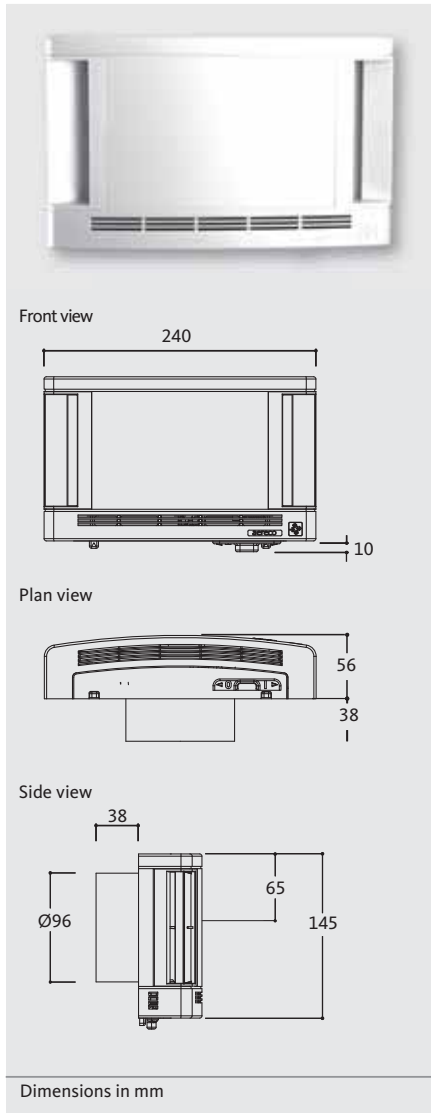
**Flow rates with [... Pa] according to DIN 1946 part 6 / DIN 18017 part 3 [m³/h]

| | 8 Pa |
|---------|------------|
| ZWRH 30 | 4.5 ... 27 |

The ZWRH 30 air inlet is not suited for pure cross-ventilation

Humidity-sensitive ventilators

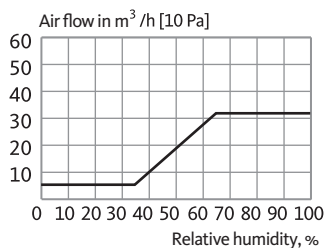
Air inlet / on wall



| Air inlet / on wall | | KWHRVA 01 | KWHRVA 02 |
|---|-------------------|------------|------------|
| Airflow parameters | | | |
| 'Hygro', 30-years' years guarantee on humidity control | | ■ | ■ |
| Closing device | | ■ | ■ |
| Airflow (min – max) [10 Pa] / to EN 13141 parts 1 and 9** | m ³ /h | 6.7 – 30.3 | 6.7 – 30.3 |
| Max. opening area | cm ² | 40.00 | 40.00 |
| Acoustic parameters | | | |
| Dn,e,w (C) acoustic attenuation @ max. opening | dB | 45 | 52 |
| Components | | | |
| Air inlet | | ■ | ■ |
| Ø 100 mm tube, length 350 mm (KWK 02) | | ■ | |
| Extension for Ø 100 mm tube, length 275 mm (KWK 03) | | ○ | |
| Ø 125 mm tube, length 500 mm (KWK 04) | | | ■ |
| Acoustic insert in Ø 100 mm tube | | ■ | |
| Acoustic insert in Ø 125 mm tube | | | ■ |
| Insect screen | | ■ | ■ |
| Airflow restrictor (LMB 01) | | ○ | ○ |
| Canopy | | ■ | ■ |
| Characteristics | | | |
| Weight | g | 962 | 988 |
| Colour | | White | White |
| Material | | PS | PS |
| Installation | | | |
| Wall passage | mm | Ø 100 | Ø 125 |
| Mounting on wall | | ■ | ■ |

■ Standard ○ optional

Airflow parameters



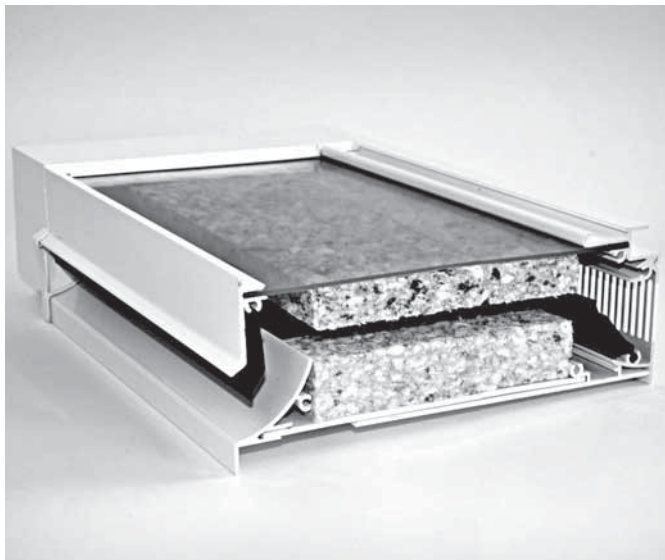
| **Airflow rates with [... Pa] tested in accordance with EN 13141 parts 1 and 9 [m ³ /h] | | | | | |
|--|--------------|--------------|--------------|--------------|--------------|
| | 8 Pa | 7 Pa | 5 Pa | 4 Pa | 2 Pa |
| KWHR-VA 01 / KWHR-VA 02 | 6.0 ... 27.1 | 5.6 ... 25.3 | 4.7 ... 21.4 | 4.2 ... 19.2 | 3.0 ... 13.6 |

Adjustable ventilators

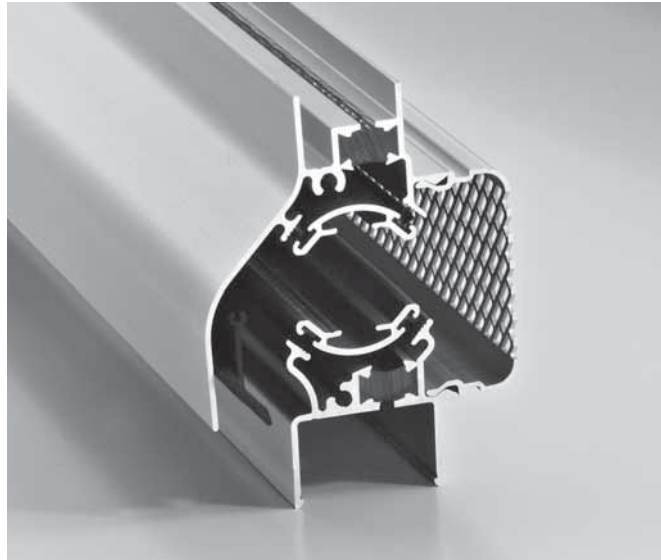
Frame-mounted / glazing rebate / sound-absorbing ventilators



Duco



Duco TOP



Duco TON

Adjustable ventilators

- Frame-mounted ventilator: Duco TOP 60 ZR
- Sound-absorbing ventilator: Duco TOP 60 AK
- Glazing rebate ventilator: Duco TON 80 ZR

Further information

For further information please contact your responsible sales consultant or refer to

Gretsch-Unitas GmbH Baubeschläge
D-71254 Ditzingen Tel. + 49 (0) 71 56 301-0
vertrieb-international@g-u.de
www.g-u.com



General information

| | |
|-----------------------------------|-----|
| Component diagram..... | 391 |
| RWA RZ central control units..... | 391 |

Smoke and heat exhaust ventilation systems 24 V DC

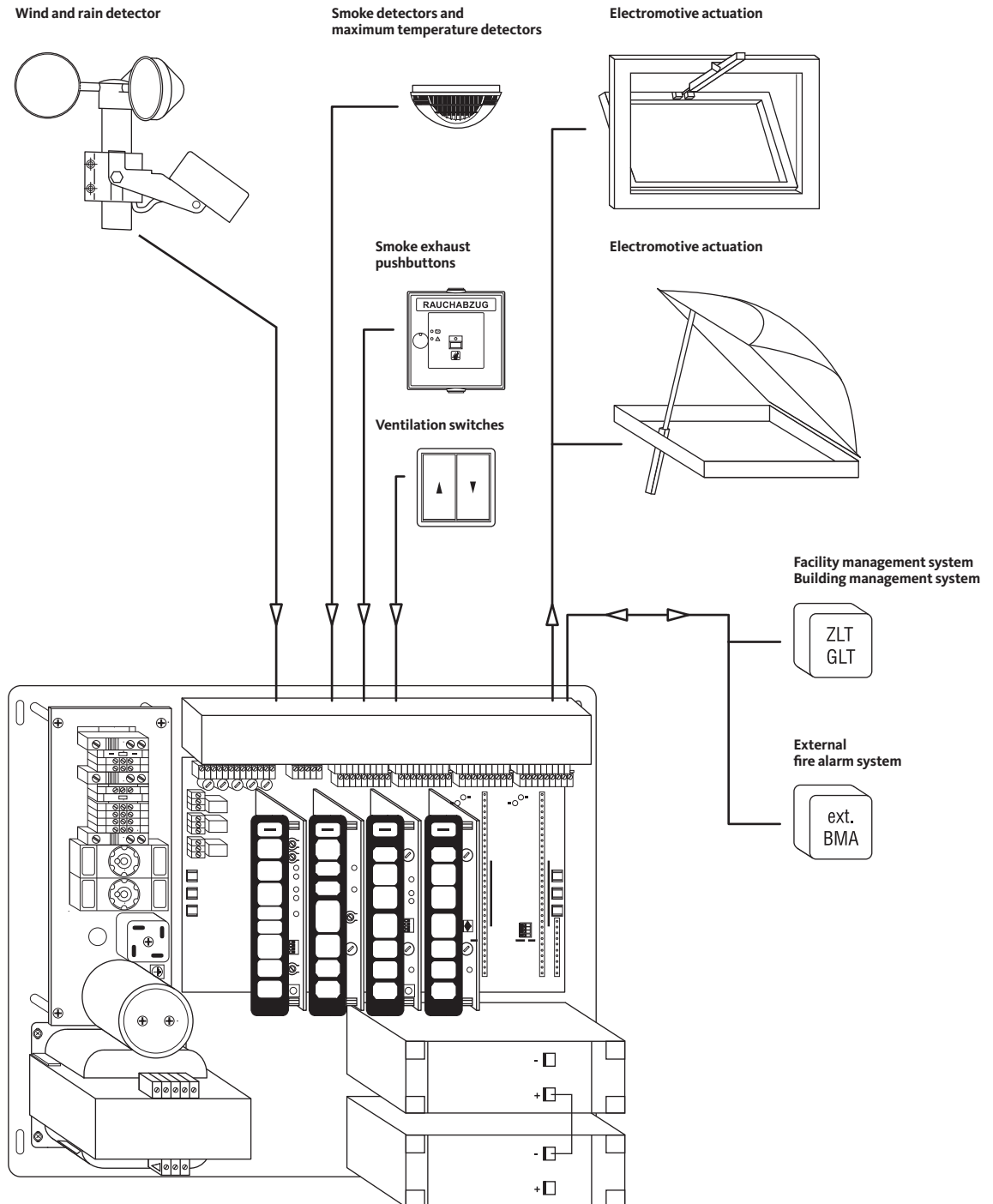
| | |
|---|-----|
| Smoke exhaust and ventilation functions for staircases in one system..... | 392 |
|---|-----|

RWA opening drives and opening systems

| | |
|------------------------------------|-----|
| RWA 1000 opening system..... | 393 |
| RWA 1050 opening system..... | 393 |
| ELTRAL K chain drives | 393 |
| ELTRAL S spindle drives | 393 |
| RWA 1000 S-SET opening system..... | 393 |
| RWA 1050 opening system..... | 393 |



Component diagram



RWA RZ central control units

| Description | RZ 2 | RZ 5 | RZ 10/2 | RZ 24/4 | RZ 24/8 |
|-----------------------------------|-------------|-------------|-------------|-------------|-------------|
| Output in A | 2 | 5 | 10 | 24 | 24 |
| Dimensions in mm (WxHxD) | 350x250x120 | 350x250x120 | 500x500x200 | 600x600x250 | 800x800x250 |
| Max. number of RWA groups | 1 | 1 | up to 2 | up to 4 | up to 8 |
| Max. number of ventilation groups | 1 | 1 | up to 2 | up to 4 | up to 8 |



Smoke exhaust and ventilation functions for staircases in one system

In applications where maximum reliability is required of a smoke vent installation in the event of a fire and fumes need to be removed quickly, smoke and heat exhaust ventilation systems (RWA) ensure the reliable and automatic opening of exhaust apertures. This protects people against smoke poisoning and property against damage. In everyday operation, they provide for the controlled supply of fresh air.

An appropriately designed and reliably functioning RWA installation

- ✓ saves human lives
- ✓ ensures minimum smoke development in escape and rescue routes, thus keeping them accessible
- ✓ provides a smoke-free view and facilitates fire fighting
- ✓ restricts the spread of fire

- ✓ protects building, furniture and stored goods against consequential damages
- ✓ reduces fumes and possible subsequent chemical reactions

RWA system components

1 Drives / Opening systems

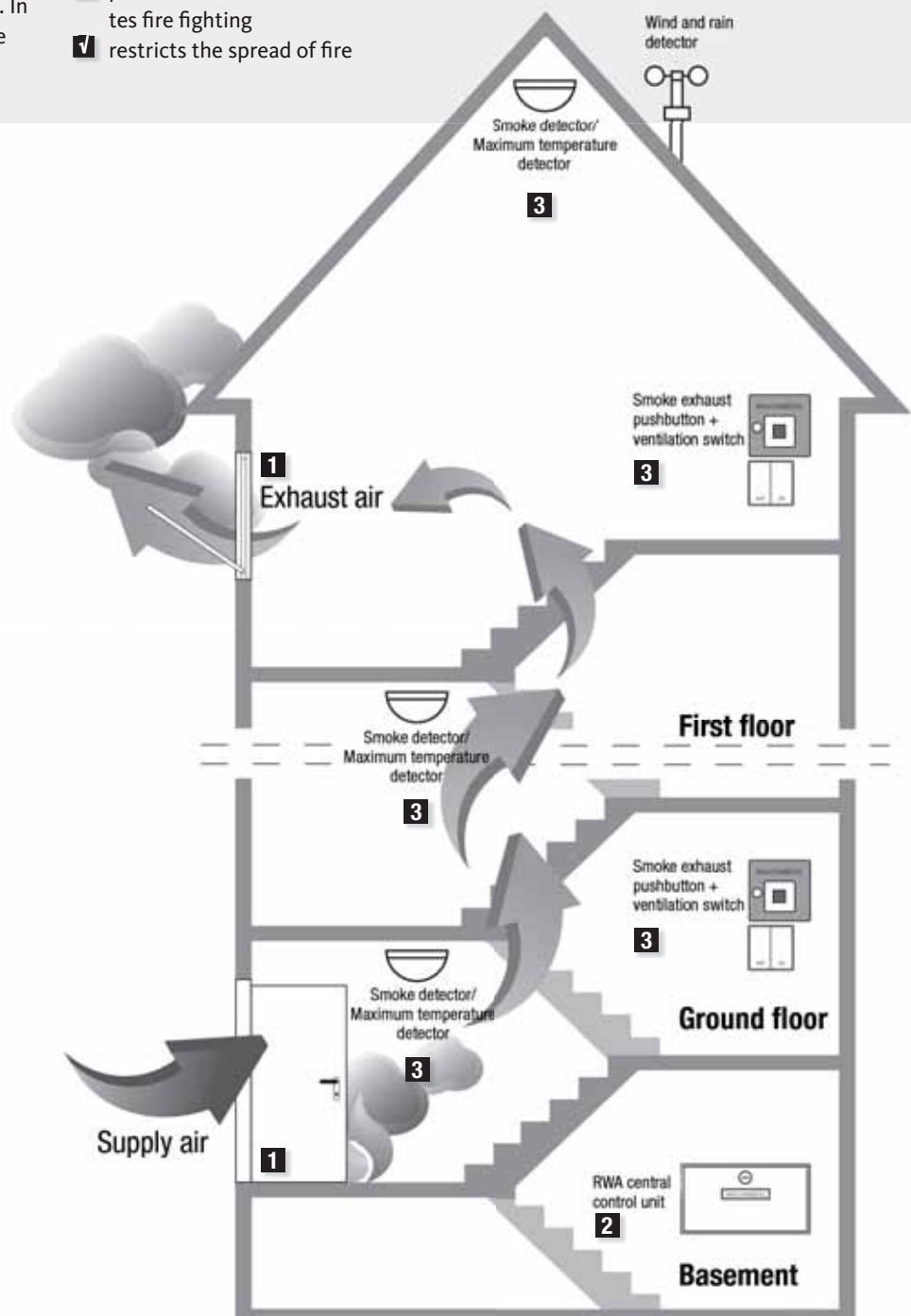
Installed on skylights or facade openings, drives and opening systems ensure automated ventilation and reliable smoke extraction in the event of a fire as well as natural room ventilation and thermal comfort.

2 Central control units

Central control units are responsible for the power supply, monitoring and control of all connected components as well as for ventilation control. The units feature built-in batteries so they can react to a fire even in the event of a power failure for a period of at least 72 hours.

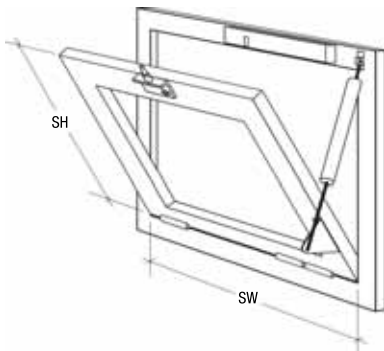
3 Accessories

Smoke and maximum temperature detectors for automatic alarm release in the event of a fire, or RWA buttons for manual actuation. Ventilation switches are used to control ventilation functions.



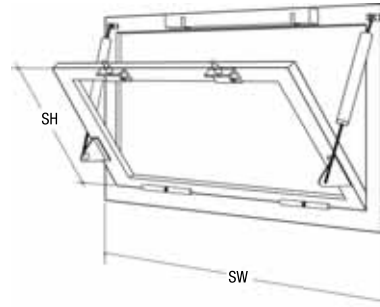
Smoke and heat exhaust ventilation systems

RWA opening drives and opening systems



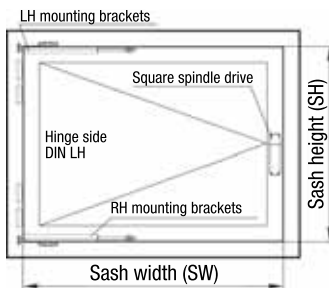
RWA 1000 opening system

for inward-opening, top/bottom/side-hung sashes
Sash width /PVC 450-800 mm



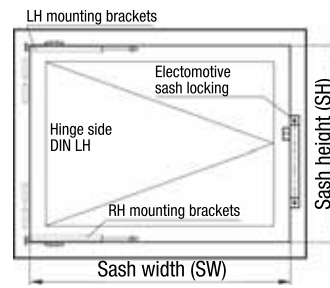
RWA 1000 S-SET opening system

for inward-opening, top/bottom/side-hung sashes
Sash width /PVC 801-1800 mm



RWA 1050 opening system

with **ELTRAL OA square spindle drive** with integrated closing sequence control for inward-opening; side-hung sashes
Solo Sash height max. 1200 mm
Tandem Sash height max. 1800 mm
Solo/Tandem Sash height max. 450 mm



RWA 1050 opening system

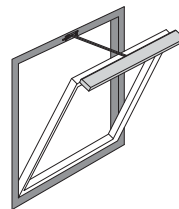
with **ELTRAL VA locking drive** with integrated closing sequence control for inward-opening; side-hung sashes
Solo Sash height max. 1200 mm
Tandem Sash height max. 1800 mm
Solo/Tandem Sash height max. 450 mm

ELTRAL K chain drives

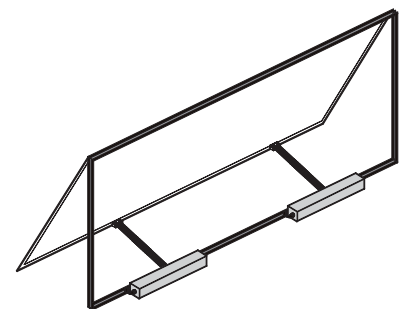
for in-/outward-opening, top/bottom/side-hung sashes and skylights
for solo and tandem application
for surface-mounted or concealed installation

| ELTRAL chain drives | K20* | K25* | K30 | K60 |
|--|-----------|-----------|-----------|------------------------|
| Push/pull force (N) | 200 | 250 | 300 | 600 |
| Opening width (mm) | 200-400 | 200-600 | 200-500** | 250-1000 |
| Current consumption 24 V (A) | 0.6 | 1.0 | 0.9 | 1.2 |
| Minimum sash height (mm) (depending on travel) | 400 | 400 | 200 | 200 |
| Bottom/top-hung sash | | | | (travel 250) |
| Dimensions (WxHxD in mm) | 335x26x40 | 335x26x40 | 456x43x60 | 461x40x56 (travel 250) |

* Not for skylights ** adjustable



ELTRAL K chain drive
Solo system on a bottom-hung, inward-opening sash



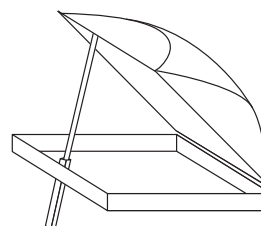
ELTRAL K chain drives
Tandem system on a top-hung, outward-opening sash

ELTRAL S spindle drives

for in-/outward-opening, top/bottom-hung sashes and skylights
for solo and tandem application

| ELTRAL spindle drives | S 80 | S 160 |
|---------------------------|--------------------|--------------------|
| Push/pull force (N) | 800* | 1600* |
| Opening widths (mm) | 300-1000 | 300-1000 |
| Breaking current 24 V (A) | 1.4 | 1.2 |
| Dimensions (WxHxD in mm) | (342+travel) x Ø36 | (342+travel) x Ø36 |

* Note the force-travel diagram



ELTRAL S spindle drive
on a light dome



Surface sealing

Chromate-free coating system

for highest corrosion protection: ferGUard.....395

How does the additional coating work?395

Requirements/instructions on the product and on liability

1. Product information and intended use396

2. Misuse.....397

3. Liability397

4. Product performance – manufacturer's notes regarding application.....398

5. Product maintenance398

6. Information and instruction obligations.....398

7. Use of related hardware.....399



Chromate-free coating system for highest corrosion protection: ferGUard

- Over the years, plaster, cement, paint and cleaning detergents considerably affect the surface of builder's hardware. The possible consequence are claims.
- Due to the surface sealing ferGUard*silver, damage through corrosion and the resulting claims are reliably prevented. The finish ferGUard*silver consists of a new combined coating (zinc + passivation without hexavalent chromium + additional coating) of superior anti-corrosive qualities.
- The coats are applied without organic components, heavy metals and hexavalent chromium, so the new surface sealing ferGUard*silver is environment-friendly and up to date.
- Another advantage:
The new finish ferGUard*silver produces an impressively even, silvery finish on the hardware parts and therefore offers a new, additional sales argument with your customers.

How does the additional coating work?

So far, hardware parts have been protected by a zinc coat with succeeding yellow passivation (method: zinc + standard chromizing).

The new additional coat was developed in cooperation with leading suppliers of chemical engineering and with the automotive industry.

After the usual treatment, the hardware components are covered with an inorganic coat in an additional procedure. This process step is carried out on a fully automatic and computer-controlled production line.

The additional coat deeply permeates into the passivated coat, thus sealing the surface of the complete component firmly and permanently.

Special corrosion inhibitors additionally retard the beginning of corrosion.

Environmentally-friendly process

The coating is applied without organic components and heavy metals and therefore does not pollute the environment with waste water and exhaust air.

In this way, GU consistently pursues the further development of environmentally-friendly production processes.

Additional benefit: consistent colouring

Throughout all product groups, our hardware components are characterised by an impressively consistent silvery colour.

The new extra coating on GU hardware offers dealers, fabricators and end customers a number of advantages.

Advantages of the new GU finish

- Considerably improved corrosion protection due to additional coating.
- Longer product life of windows and doors.
- Without organic components and heavy metals, the new GU finish is environment-friendly and up to date.
- If there is mechanical damage to the surface or if a component is cut (e.g. a faceplate cropped to length), the blank spot will not corrode due to the remote protective action of the zinc coat.
- Fewer customer claims due to a finish that is more resistant against detergents and household chemicals than others.
- Even, silvery finish of hardware parts throughout our complete product range.
- Complying with the environmental regulations of the EC, our newly developed coating system ferGUard*silver does not contain hexavalent chromium.



In compliance with paragraph 4 of the German Product Liability Act (§ 4 ProdHaftG) defining the liability of manufacturers, the following information regarding hardware for window and balcony-doors must be observed. Non-compliance exempts the manufacturer of his liability.

1. Product information and intended use

1.1 Hardware types

1.1.1 Tilt&Turn and Turn-Only hardware

Definition: Tilt&Turn and Turn-Only hardware, as covered by this definition, is one-hand operated hardware for windows and balcony-doors in building construction. The hardware is used to put window and balcony-door sashes into a turning position by operating a turn handle (Turn-Only version) and/or into a limited tilt position if the hardware is provided with a tilt stay (Tilt&Turn version).

Application: Slide hardware, as covered by this definition, is hardware for slidable sashes of window and balcony-door elements which are glazed as a rule and installed on the building exterior. Sash configuration patterns providing the integration of fixed glazings and/or additional sashes, e. g. Turn-Only sashes for cleaning purposes, are possible.

1.1.2 Slide hardware

Definition: Slide hardware, as covered by this definition, is hardware for slidable sashes of window and balcony-door elements which are glazed as a rule and installed on the building exterior. Sash configuration patterns providing the integration of fixed glazings and/or additional sashes, e. g. Turn-Only sashes for cleaning purposes, are possible.

Application: Slide hardware is used on vertically installed window and balcony-doors made of timber, PVC, aluminum or steel or a suitable compound of these materials. Slide hardware, as covered by this definition, features a locking system to lock the sliding sash and rollers mounted on the lower horizontal profile of the sliding sash. In addition, slide hardware can be provided with stays to tilt the sliding sash and mechanisms to lift and/or parallel-retract the sliding sash. The hardware locks the sliding sash, brings it in ventilation position and moves it sideways.

Depending on outside temperatures, relative air humidity and the installation situation of the sliding element, there may be a temporary formation of condensation on the aluminum tracks on the inside, especially when air circulation is prevented due to deep reveals, curtains or unfavourably positioned radiators.

1.1.3 Fanlight hardware

Definition: Fanlight hardware is intended for opening and closing windows or window flaps, particularly bottom-hung or top-hung sashes, in building construction.

The hardware is designed to open and close window sashes which are not within the reach of a person by operating a hand lever connected with the opening stay via rods. The lever is mounted to the window frame or to the brickwork.

The opening stay may also be operated via crank gear, electric motor, pneumatic or hydraulic cylinder. The surface of the fanlight hardware is protected against corrosion.

Application: Fanlight hardware is used on windows made of timber, PVC, aluminum or steel or a suitable compound of these materials.

Opening stays come in different versions adapted to different opening methods and possibilities to install a window in a structure. The opening stays are designed to bring window sashes in several ventilation positions and to lock them. Differing applications do not meet the hardware's intended use.

Burglar-inhibiting windows, windows for damp rooms and/or for use in environments with aggressive, corrosive air content require the use of special hardware.

Tilted window sashes only have a shielding function and do not meet any demands on joint impermeability, water tightness, sound reduction, heat insulation and burglar inhibition.

In the case of windows positioned within the reach of a person – below 2500 mm above floor level – and operated via electric motor, pneumatic or hydraulic cylinder and, it is necessary to observe the directives applying to force-controlled gates and doors.

After window cleaning, the stay must be reengaged and secured according to the manufacturer's instructions. With inward or outward-opening bottom-hung sashes, it is necessary, in addition to the fanlight hardware, to provide catch stays to limit the tilt movement of the sash after the opening stay has been disengaged (catch position, e. g. for cleaning). The catch position is slightly larger than the opening width of the engaged stay.

Tilt sashes in cleaning position must be secured in a way to ensure that no undue forces may act on the hinges.

With wind and drafts, the window sashes must be closed. In order to prevent damage, the hand lever must be set in the specified final position.

1.1.4 Horizontal-pivot and vertical-pivot hardware

Definition: Horizontal-pivot and vertical-pivot hardware, as covered by this definition, is one-hand operated hardware for windows in building construction. The hardware is used to bring window sashes in a ventilation position by operating a handle. The opening angle of the sash may be limited either by the handle or by a locking device in the pivot bearing.

Application: Horizontal-pivot and vertical-pivot hardware is used on vertically installed windows made of timber, PVC, aluminum or steel or a suitable compound of these materials.

Customary horizontal-pivot and vertical-pivot hardware, as covered by this definition, closes window sashes and brings them in different ventilation positions. Upon closing the window, the counterforce of a possible gasket must be overcome.



1.1.5 Additional hardware for Tilt&Turn, Turn-Only and fanlight hardware

Definition and application: Rebate stays and cleaning stays, as covered by this definition, limit the tilt movement of a window sash as soon as the stay of a fanlight opener is disengaged. The opening angle of the catch position is slightly larger than the opening angle of the engaged fanlight opener stay. In addition, rebate and cleaning stays hold the sash in a convenient cleaning position. Hardware for coupled sashes, as covered by this definition, consists of hinges allowing to open the coupled sash unit and clean the window panes on the inside, and of coupling devices locking the coupled sashes on the side opposite to the hinges. Applications going beyond opening coupled sashes for the purpose of cleaning do not meet the hardware's intended use.

Window friction stays, as covered by this definition, hamper the movement of Tilt&Turn or Turn-Only sashes in open position due to friction. Depending on the intensity of the friction, they hold the sash open, however, do not limit the opening.

When using additional hardware, the product information concerning the basic hardware and its intended use must be observed.

1.2 Other use – exclusion of liability

Any use deviating from 1.1 is regarded as non-compliant use causing the exclusion of liability.

1.3 Information regarding restrictions on use

Opened, unlocked or tilted window and balcony-door sashes only have a shielding function and cannot meet any demands on joint impermeability, water tightness, acoustic insulation, heat insulation, and burglary-resistance.

With wind and drafts, window and balcony-door sashes must be closed and locked. Otherwise, they open or close by themselves due to air pressure or air suction. A fixed opening position of window and balcony-door sashes is only achieved using additional hardware.

1.4 Particular agreements for extended requirements

Burglar-inhibiting window and balcony-doors, windows and balcony-doors for damp rooms and/or for use in environments with aggressive, corrosive air content require the use of special hardware adapted for the individual application with performance features particularly agreed upon.

The resistance of the closed and locked sash against wind loads depends on the design of the particular window or balcony-door. If it is necessary to withstand specified wind loading (e. g. in accordance with EN 12210, in particular pressure test p3), suitable hardware compositions must be agreed upon individually taking into account the particular window or balcony-door design and frame material.

In general, the hardware for windows and balcony-doors described in 1.1 is suited to fulfil the requirements of barrier-free construction (e. g. in compliance with DIN 18040). It is, however, necessary that the combination of hardware components and the way of hardware installation should be agreed upon individually.

2. Misuse

Misuse – that is unintended use – of the hardware described under 1.1 occurs in particular

- when obstacles are put in the opening area between frame and sash, thus preventing or interfering with the hardware's proper and intended use,
 - when additional loads are put on windows or balcony-door sashes (for example if children use the window or door sash for swinging),
 - when window and balcony-door sashes are forcefully pressed or banged against the reveal (e. g. by wind) so the hardware or frame material, or other window or balcony-door components are damaged or destroyed and consequential damages arise,
 - when upon closing a sash or sliding it shut someone reaches or stands between sash and frame (danger to life and limb),
- (applies additionally to fanlight hardware:)*
- when stays are not engaged and secured in compliance with the manufacturer's instructions,
 - when, with the opening stay disengaged, the window sash is not put into the appropriate cleaning position.

3. Liability

A complete hardware set may consist of GU hardware components exclusively. In the case of combinations not approved by GRETSCH-UNITAS GmbH Baubeschläge, and/or inappropriately installed hardware, and/or the use of non-original and/or non factory-approved accessory components, no liability is accepted. For the proper screw-fixing of the hardware it is necessary to follow the GU mounting instructions and installation drawings. When using PVC or aluminum profiles, the profile manufacturer's or system owner's specifications must be observed.

It is the responsibility of the window fabricator to observe the prescribed system-specific dimensions (e. g. gasket gap dimensions). These dimensions must be controlled regularly during window fabrication through to installation on site, especially when using hardware components for the first time. The hardware components are designed in a way that the system-related dimensions can be adjusted (provided they are affected by the hardware). If a deviation from these dimensions is discovered only after the installation of a window, no liability is accepted for expenses arising from faults caused by this deviation.



4. Product performance – manufacturer's notes regarding application

4.1 Maximum permissible sash weights

The maximum sash weights specified below for each hardware type must not be exceeded. The hardware component with the smallest permissible load-carrying capacity determines the max. sash weight. Application diagrams and component classifications are to be observed.

(Applies additionally to fanlight hardware:)

Apart from the sash weight, the distance between the sash's centre of gravity and its pivotal point is decisive for determining the maximally allowed sash dimensions.

When determining the maximum sash size and the number of grouped sashes, it is important to follow the manufacturer's instructions for the different types of drive.

4.2 Sash sizes

The application diagrams in the planning documentation, product catalogues or installation instructions show the correlation of permissible sash rebate widths and sash rebate heights depending on various glass weights and/or thicknesses. The resulting sash dimensions and sash formats (vertical or horizontal mounting) – as well as the maximum sash weight – may not be exceeded under any circumstances.

4.3 Hardware composition

The manufacturer's regulations concerning the combination of hardware components are obligatory (for example application of additional stay arms, hardware versions for burglar-inhibiting window and balcony-door sashes etc.).

5. Product maintenance

5.1 General advice

Safety-relevant hardware components are to be checked for stability and wear and tear at least once a year. Depending on requirements, the fixing screws are to be tightened and/or parts replaced. In addition, the following maintenance work is to be carried out annually:

- All movable hardware parts and all locking points are to be greased and tested for proper function.
- Only cleaning and maintenance agents that do not damage the corrosion protection of the hardware components may be used.

Hardware adjustment, especially in the area of pivot rests and stays, the replacing of parts, and the hinging or unhinging of window or balcony-door sashes must to be carried out by a specialist company.

When treating the surface of windows or balcony-doors (e. g. painting or varnishing), the hardware must be excluded from this treatment and protected against paint or varnish splashes.

5.2 Preserving the surface quality

In a normal room climate, when no condensation forms on the hardware surface or occasionally forming condensation can dry rapidly, electrolytically applied zinc coatings are not affected in any way.

In order to preserve the surface quality of the hardware durably and to avoid deterioration by corrosion, it is imperative to observe the following:

- The hardware (respectively sash clearance) must be ventilated in a way so it is neither exposed to moisture directly nor to the formation of condensation; this applies especially to the construction phase. It is necessary to ensure by suitable measures that (permanently) moist air cannot condense in the clearances.
- The hardware is to be kept free from deposits and soiling from building materials (building dust, plaster, cement etc.). Possible soiling from plaster, mortar or similar materials are to be removed with water before they cure.
- Aggressive vapours (for example from formic acid or acetic acid, ammoniac, amine or ammoniac compounds, aldehydes, phenols, chlorine, tannic acid etc.) in connection with even small formations of condensation can rapidly lead to the corrosion of hardware. For this reason, evaporation of this kind must be avoided in the area windows.
- For windows and balcony-doors made of oak or other types of wood with a high concentration of (tannic-) acid, it is necessary to ensure by a suitable surface treatment that these content substances cannot evaporate from the wood. The hardware must not come in direct contact with the untreated wood surface.
- Furthermore, no acetic-acid or cross-linked acidic sealing compounds or compounds containing the substances mentioned above must be used, because both the direct contact with the sealing compound and its evaporation can attack the surface.
- The hardware may only be cleaned with mild, pH-neutral cleaning agent in diluted form. Under no circumstances may aggressive, acidic cleaners or abrasive cleaning agents containing the above mentioned substances be used.

6. Information and instruction obligations

In order to fulfill the information and instruction obligations – according to the German Product Liability Act the information must be passed on to dealers, intermediaries, fabricators through to end users – and to allow for proper maintenance, the following documentation is made available:

- Planning documentation
- Product catalogues
- Installation instructions
- Maintenance and care instructions as well as operating instructions, in the following referred to as „product information“.



In order to ensure the proper function of windows and balcony-doors,

- planners are obliged to request the product information from the manufacturer or authorised distributor and follow it,
- specialised wholesalers are obliged to request the product information from the manufacturer, follow it, and pass it on to following distributors and/or fabricators, and to advise them in turn of their obligation to pass the information on to their customers,
- fabricators are obliged to observe the product information and, above all, to pass on service and maintenance instructions as well as operating manuals to builders and end-users.

7. Use of related hardware

The information and instruction obligations and the obligation to observe the product information and the guidelines concerning product performance, product maintenance, intended use and misuse also apply to possible variations within the individual hardware systems – for example different hardware variants for bottom-hung and top-hung sashes, or hardware variants providing a circumferential ventilation gap (by retracting the sash in parallel) instead of, or in addition to the tilted ventilation position.

Information of the “Fachverband Schloss- und Beschlag-industrie e.V.“ (German Locks and Hardware Industry Trade Association)

Velbert P.O. box 10 03 70, D-42503 Velbert/Germany

Further information concerning the correct handling of hardware for windows and balcony-doors with detailed explanations can be downloaded from the association's website:

- ‘Hardware for windows and balcony-doors Guidelines/advice on the product and on liability (VHBH)‘
- ‘Hardware for windows and balcony-doors Guidelines/advice for end-users (VHBE)‘
- ‘Attachment of supporting fitting components for turn-only and tilt&turn fittings with definitions for turn-only and tilt&turn fittings and their possible installation positions (TBDK)‘

<http://www.fvsb.de/ggsb/richtlinien.asp>



Overview

| | |
|----------------------------|-----|
| Introduction | 402 |
| Customised solutions | 403 |

Planning and ordering software

| | |
|---|-----|
| Customer Information System (CIS) | 404 |
| confiGUrator | 406 |
| MasterKeySystem (MKS) | 408 |
| KeyManager | 410 |
| AusschreibungsManager for tenders | 411 |
| Order by Scanning (Obs) | 412 |

Customised solutions

| | |
|--|-----|
| Electronic connection to ERP systems | 413 |
| Hardware data service | 414 |
| Homepage | 415 |



Planning • Ordering • Information • Administration

Online order processing guarantees you errorless data transmission, reduced material disposition, shorter procurement periods, and current prices and terms around the clock 7 days a week.

Gretsch-Unitas provides software solutions and online platforms enabling you to manage your business processes efficiently.

As with all other products of the GU Group, we are not only concerned with single products but with the creation of complete solutions meeting the requirements of today.

The continuous development and upgrade of these tools to the highest technical standards guarantee permanent availability and ensure that customers always gain the greatest possible benefit.

Come and follow us into the world of electronic communication and convince yourself of the benefits it brings.

Customer Information System (CIS)

Ordering and customer information system for all components with an assigned part number.

*confi***GU***urator*

Product configurator for determining, quoting, and ordering hardware sets and parts lists for windows, doors and automatic entrance systems

MasterKeySystem (MKS)

Web-based tool for planning and ordering master key systems

KeyManager

Software for configuring, managing, and recording mechanical and mechatronic master key systems.

| Target group | Architects/Planners | Builder's hardware trade | Window fabricators | Facility operators | Key services | Locksmith and security services | Door fabricators |
|---|---------------------|--------------------------|--------------------|--------------------|--------------|---------------------------------|------------------|
| Customer Information System (CIS) | | • | • | | • | • | • |
| confiGUrator | • | • | • | | • | • | • |
| MasterKeySystem (MKS) | | • | | • | • | • | • |
| KeyManager | | • | | • | • | • | |
| AusschreibungsManager for tenders | • | | | | | | |
| Order by Scanning (Obs) | | • | • | | • | • | • |
| Electronic link to enterprise resource planning (ERP) systems | | • | • | | • | • | • |
| Hardware data service | | | • | | | • | |
| Homepage | • | • | • | • | • | • | • |

Ausschreibungs Manager

Web-based tendering module for the creation of complex specifications.

Obs – Order by Scanning

Barcode scanner ordering system for production, warehouse and administration to record material order requirements by means of scanning barcode labels.

Electronic connection to the customer's enterprise resource planning (ERP) system

Optimised interfaces allowing for efficient order processing with the customer's own materials management system

Hardware Data Service

Compilation of individual hardware solutions and provision of CNC data for automated window fabrication.

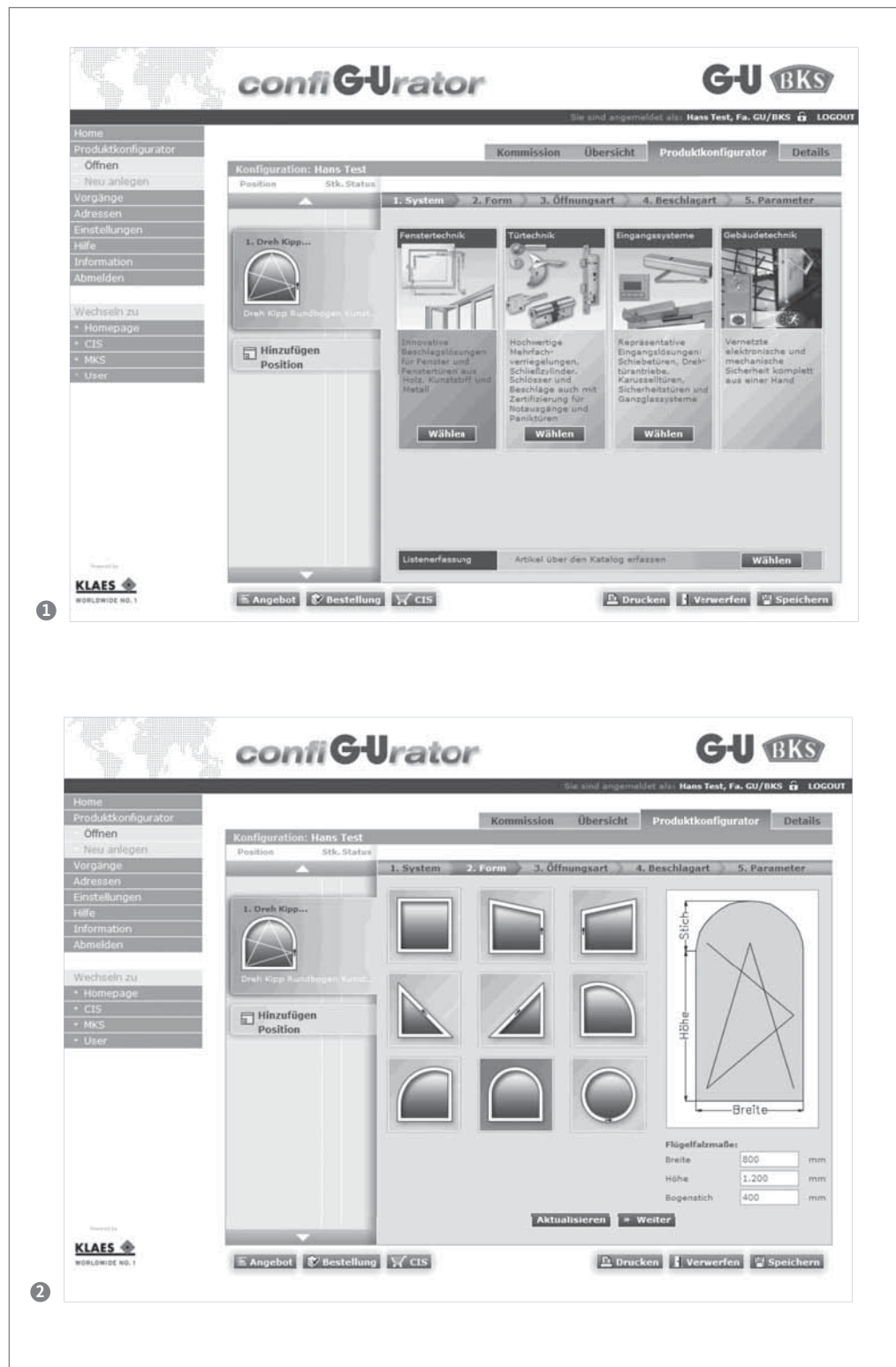


Developed on the basis of practically relevant entry parameters, the programme confiGUrator serves to compile hardware sets and to create parts lists.

Based on the window and door specifications of the particular project (e.g., element shape, profile system, colour, burglar resistance grade), a technically correct parts list is generated within seconds.

Functions

- Determination of hardware sets and parts lists
- Creation of order lists and technical parts lists including CAD assembly drawings
- Quotations based on current conditions and catalogue prices with professional printing layouts in PDF format
- Convenient ordering through integration into CIS (Customer Information System)



- 1 Product configuration / hardware system selection
- 2 Product configuration / window/door shapes

Performance features:

- Convenient, password-protected access via internet browser – no local installation required
- Data calculation based on current prices, conditions and state of the art
- Configuration of special element shapes
- Configuration of timber, steel and narrow stile panic doors, fire protection doors and multi-point-locked doors in accordance with EN 179 and EN 1125
- Profile-specific hardware variants for the market-leading profile systems are considered
- Individual quotation and address management
- Multilingual user interface
- Use of country-specific hardware configurations

3

| Pos. | Produkt | Menge | ME | Bezeichnung | PG | Einzelpreis | Gesamtpreis | |
|------|----------------|-------|----|--|-----|-------------|-------------|----------------|
| 10 | 6-24201-03-0-1 | 1 | ST | Auflauf Falzluf 12mm | DD0 | - | - | Andern Löschen |
| 20 | 6-26741-00-0-1 | 1 | ST | MITTELSTUECK 415 | DD0 | - | - | Andern Löschen |
| 30 | 6-27831-05-0-1 | 1 | ST | PILZKOPFSCHLIESSPLATTE 12.9 ALUPL. IDEAL | DD0 | - | - | Andern Löschen |
| 40 | 6-28072-33-0-7 | 1 | ST | DREHGRIF DIRIDENT F.10 | TA0 | - | - | Andern Löschen |
| 50 | 6-28743-03-0-1 | 1 | ST | ECKLAGERBOCK UNI-JET D ZAPFEN:3mm. | DDK | - | - | Andern Löschen |
| 60 | 6-29987-00-0-1 | 1 | ST | FLUEGELFIX MIT SPERRE | DD0 | - | - | Andern Löschen |
| 70 | 6-30369-02-0-1 | 1 | ST | RUNDSOGENSCHERE MIT MV | DDK | - | - | Andern Löschen |
| 80 | 6-31636-03-0-1 | 1 | ST | SCHERENLAGER MIT AXHSE UNI-JET D | DD0 | - | - | Andern Löschen |
| 90 | 6-31932-20-0-1 | 1 | ST | SCHERENBAND UNI-Jet D RB NL 13MM | DDK | - | - | Andern Löschen |
| 100 | 6-32013-00-0-1 | 1 | ST | Vermegelung 215 DK-K | DD0 | - | - | Andern Löschen |
| 110 | 6-32105-00-0-1 | 1 | ST | Ansatzstück mit MV 180° | DD0 | - | - | Andern Löschen |
| 120 | 6-32427-20-L-1 | 1 | ST | Eckwinkelfalzband 12.9mm Nutlage | DDK | - | - | Andern Löschen |
| 130 | 6-32781-02-0-1 | 1 | ST | Mittelstück UNI-JET FFH 951-1450 | DD0 | - | - | Andern Löschen |

4

1. System: RPZO 170
 2. Form: DIN EN 179
 3. Öffnungsart: 2-flügelig
 4. Beschlagart: Serie 18 - manuell mit
 5. Parameter: E (Wechsel), PZ 35 mm, Flachstulp 24 mm kantig, Edelstahl, gerades Schließblech, automatische Verriegelung, DIRIDENT, Langschild eckig, Edelstahl, 60 mm Türstärke

System requirements:

- Internet connection
- Internet browser (Internet Explorer 7.0 / Firefox 3.x or higher)

Service e-Mail:

■ configurator@g-u.de

3 Details/parts list

4 Product configurator/parameters

MasterKeySystem (MKS)

Planning and ordering platform for master key systems



MKS (MasterKeySystem) is an internet based platform for planning and ordering master key systems. The software was designed to facilitate the processing of master key system orders and to offer a maximum of after-sales service.

Functions

- Quotation module for new master key systems and system extensions
- Creation of new master key systems with all available cylinder profile systems
- Creation of extensions of existing master key systems comprising all available profile systems
- Creation of subsequent key deliveries
- Creation of new systems with registered key bittings comprising all profile systems
- Creation of extensions for systems with registered key bittings comprising all profile systems
- Free services:
 - Online locking schemes ready for download
 - Master key system data (for KeyManager 3.0 or higher)
 - Key identification
 - Key combination record
 - Key labels

1 Order data

The first screenshot shows the 'Auftragsdaten' (Order Data) form. It includes fields for 'Auftragsbezeichnung' (Testauftrag), 'Bestellnummer *' (Testauftrag), 'Kommission', 'Wunschtermin *' (04.03.2009), 'Versandart' (Abholung), 'Anspruchspartner', 'Nachname', 'E-mail', and 'Anlagenform' (Neu). Buttons for 'Speichern', 'Entfernen', 'Abbrechen', 'Druckansicht', and 'Lieferbed' are visible.

2 Registered keys

The second screenshot shows a table of registered keys. The table has columns for Pos, Profil, Anzahl, Schlüssel, Bestehend aus, Ausführung, Summe Zylinder, Summe Schlüssel, and davon Mehrschlüssel.

| Pos | Profil | Anzahl | Schlüssel | Bestehend aus | Ausführung | Summe Zylinder | Summe Schlüssel | davon Mehrschlüssel |
|---------------|----------|--------|-----------|---------------|---|----------------|-----------------|---------------------|
| 001 | Janus | 20 | 1 | K 4912 | 31 31 N N 2 2 *Bewassergeschützt*8ZWB -d* | 60 | 100 | 0 |
| 002 | Serie 50 | 10 | 4 | K 4912 | 31 45 N N 1 3 *8ZWB -A*8ZWA -B | 10 | 40 | 10 |
| | | | | K 5012 | 31 31 N N 1 4 *BKS / SP | | | |
| Summe: | | | | | | 70 | 140 | 10 |

3 Single items

The third screenshot shows a table of single items. The table has columns for Blatt, Status, Position, PA, Tür-oder Raumbezeichnung (1), Tür-oder Raumbezeichnung (2), Schliessung (1), Schliessung (2), Artikel Typ, LA, LB, FA, FB, ZYA, and S.

| Blatt | Status | Position | PA | Tür-oder Raumbezeichnung (1) | Tür-oder Raumbezeichnung (2) | Schliessung (1) | Schliessung (2) | Artikel Typ | LA | LB | FA | FB | ZYA | S |
|-----------|--------|----------|----|------------------------------|------------------------------|-----------------|-----------------|-------------|----|----|----|----|-----|---|
| 000000001 | K | 01 | N | RAUM 1 | | 1 | | 5000 | 31 | 31 | N | N | 1 | |
| | K | 02 | N | RAUM 2 | | 2 | | 5000 | 31 | 31 | N | N | 1 | |
| | K | 03 | N | RAUM 3 | | 3 | | 5000 | 31 | 31 | N | N | 1 | |
| | K | 04 | N | RAUM 4 | | 4 | | 5000 | 31 | 31 | N | N | 1 | |
| | K | 05 | N | RAUM 5 | | 5 | | 5000 | 31 | 31 | N | N | 1 | |
| | K | 06 | N | RAUM 6 | | 6 | | 5000 | 31 | 31 | N | N | 1 | |
| | K | 07 | N | RAUM 7 | | 7 | | 5000 | 31 | 31 | N | N | 1 | |
| | K | 08 | N | RAUM 8 | | 8 | | 5000 | 31 | 31 | N | N | 1 | |
| | K | 09 | N | RAUM 9 | | 9 | | 5000 | 31 | 31 | N | N | 1 | |
| | K | 10 | N | RAUM 10 | | 10 | | 5000 | 31 | 31 | N | N | 1 | |
| | K | 11 | N | RAUM 11 | | 11 | | 5000 | 31 | 31 | N | N | 1 | |
| | K | 12 | N | RAUM 12 | | 12 | | 5000 | 31 | 31 | N | N | 1 | |
| | K | 13 | N | RAUM 13 | | 13 | | 5000 | 31 | 31 | N | N | 1 | |
| | K | 14 | N | RAUM 14 | | 14 | | 5000 | 31 | 31 | N | N | 1 | |
| | K | 15 | N | RAUM 15 | | 15 | | 5000 | 31 | 31 | N | N | 1 | |
| | K | 16 | N | RAUM 16 | | 16 | | 5000 | 31 | 31 | N | N | 1 | |
| | | 17 | | | | | | | | | | | | |
| | | 18 | | | | | | | | | | | | |
| | | 19 | | | | | | | | | | | | |
| | | 20 | | | | | | | | | | | | |
| | | 21 | | | | | | | | | | | | |

Performance features:

- Convenient, password-protected access (with supervisor function) via internet browser – no local installation required
- Clear and simple user interface
- Permanent connection to internal GU-BKS systems
- Detailed information on existing installations
- Integrated plausibility check tool for error elimination

4

Blatt: 00000001 Speichern Drucken

Alle
 Filter
 mit Funktionen
 neue Positionen
 Überg. Schlüssel
 Gruppenweise

| Pos | Tür/Raum | Schl. | RS 1 | RS 2 | RS 3 |
|-----|----------|-------|--------------------------|--------------------------|-------------------------------------|
| 01 | RAUM 1 | 1 | <input type="checkbox"/> | <input type="checkbox"/> | <input type="checkbox"/> |
| 02 | RAUM 2 | 2 | <input type="checkbox"/> | <input type="checkbox"/> | <input checked="" type="checkbox"/> |
| 03 | RAUM 3 | 3 | <input type="checkbox"/> | <input type="checkbox"/> | <input checked="" type="checkbox"/> |
| 04 | RAUM 4 | 4 | <input type="checkbox"/> | <input type="checkbox"/> | <input checked="" type="checkbox"/> |
| 05 | RAUM 5 | 5 | <input type="checkbox"/> | <input type="checkbox"/> | <input checked="" type="checkbox"/> |
| 06 | RAUM 6 | 6 | <input type="checkbox"/> | <input type="checkbox"/> | <input checked="" type="checkbox"/> |

5

Speichern Drucken Konfigurator Kartenleser

| Status | Position | Anlage | Schliessung | Karte. Nr. | Schl. Anz. | Kommission | Merkmaltexte |
|--------|----------|--------|-------------|------------|------------|------------|--------------|
| K 001 | EAMKY | GS | | 03 | 1 | | |
| K 002 | EAMKY | GS 1/2 | | 03 | 2 | | |
| K 003 | EAMKY | 1104 | | 03 | 5 | | |
| K 004 | EAMKY | 2102 | | 03 | 4 | | |

System requirements:

- Internet connection
- Internet browser (from Internet Explorer 5.5 or from Firefox 3.0)
- Magnetic card reader

Service e-Mail:

- mks@bks.de

4 Function diagram

5 Subsequent key delivery

KeyManager

Software for configuring, managing, and recording mechanical and mechatronic master key systems.



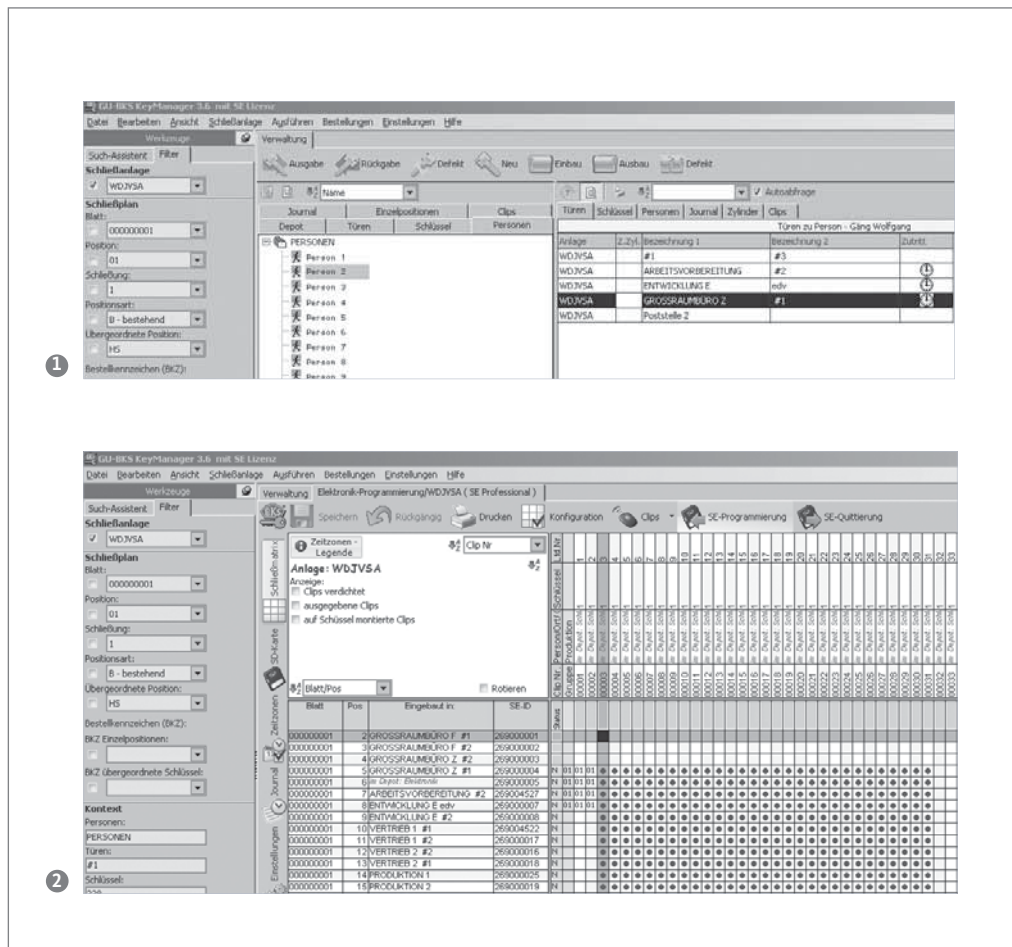
With the BKS KeyManager, a unique software has entered the market designed to manage and record complete master key systems including their

- mechanical
- mechatronic
- electronic

products, and to programme the mechatronic and electronic cylinders and readers.

No time-consuming entry of cylinder or transponder serial numbers, as they are automatically read in via the BKS asset file.

The BKS KeyManager software is completely networkable and available in several languages.



System requirements:

- Windows XP or higher
- Minimum 350 MB free hard disc space
- Screen with minimum 1024 x 768 pixel resolution

1 Administration/persons

2 Key bittings

Performance features:

- Supervisor function with coded passwords to prevent unauthorised access
- Individually applicable system – also for several installations simultaneously
- Edition, administration and print of complete locking schemes
- Person-related administration of distributed keys with delivery and return dates
- Print of key receipt and key return forms
- Print of cylinder installation/deinstallation forms
- Display and print of authorisations for the use of superordinate keys with all associated single keys
- Display and print of all mechanical and electronic access authorisations in one user interface
- Complete transponder administration including voucher print
- Fast and simple programming of SE components by means of a locking scheme matrix
- Key and cylinder ordering including administration of delivered keys and cylinders
- Individual user administration
- Personnel master data spanning several master key systems
- Comfortable search function spanning several master key systems
- Calendar function for time-limited key distribution
- Integration of user layouts for receipt templates
- Dispatch of receipts by e-mail

AusschreibungsManager for tenders

Construction tendering software comprising all products of the GU Group



The AusschreibungsManager module is a highly convenient and effective tool for quickly generating complete BOQs and specification clauses for all GU Group products. The invitations to tender can be communicated digitally.

The integrated GAEB import function [1] enables ongoing tenders to be integrated and edited online.

The screenshot shows the software interface with a sidebar menu on the left containing categories like 'Produkte', 'Referenzen', and 'Ausschreibungstexte'. The main area displays a search result for 'Verschlusssysteme nach DIN EN 1125' with a photo of a lock and a detailed text description. Below this, a table lists items with columns for 'Nr.', 'Text', 'Menge', 'Einheit', 'Preis', and 'Gesamtpreis'. The table contains two entries: 'Panktürverschlüsse nach DIN EN 1125' and 'Verschlusskombination PE-105 (mit EVP Schloss 2110)'. A shopping cart icon is visible in the top right corner.

System requirements:

- Internet browser (from Internet Explorer 7.0 or from Firefox 7.0)

Service e-Mail:

- ausschreibungstexte@g-u.de

- ① Query result for EVP lock series 21
- ② Shopping cart

Performance features:

- Convenient, password-protected access via internet browser – no local installation required
- Format-consistent data exchange according to the GAEB standard
- GEAB import function for uploads into the Ausschreibungs-Manager
- GAEB Viewer – visualisation of imported tenders
- Free use with no time limit
- Edition of imported GAEB files
- Standard item, basic item, note text, alternative item
- Efficient BOQ editing
- Long text / short text
- Consistent support of the tendering process
- Drag and drop of text blocks and BOQ texts
- Full-function tendering programme
- Free text field for individual descriptions
- Generation of BOQs comprising all product divisions of the GU Group
- Shopping cart function for the collection of tender texts
- Item text area with product photos and sketches
- Output in Word / Excel / Gaeb81 / Gaeb82 / Text

[1] Gaeb = Gemeinsamer Ausschuss für Elektronik im Bauwesen (Joint Committee on Electronics in Construction)

Order by Scanning (Obs)

Barcode scanner ordering system for slim logistics



Order by Scanning (Obs) is a high-end barcode scanner ordering system for production, warehouse and administration to record material order requirements by means of scanning barcode labels.

The scanned data are transmitted to the GU Group via internet. The order number is indicated to the orderer immediately. There is no faster and easier way to generate orders!

The scanner can also be used for stocktaking including the value of goods.

Gretsch-Unitas will support you in implementing this superior logistics concept. In the course of a project cycle comprising ABC analysis and stocktaking as well as warehouse and rack organisation, your situation will be evaluated and your logistical optimum defined.



System requirements:

- PC with internet connection

Service e-mail:

- transfermanager@g-u.de

- ① Scanner with docking station
- ② Special barcode labels

Performance features:

- Elimination of entry errors
- Shorter procurement periods
- Just-in-time delivery
- Reduced material disposition

Electronic connection to ERP systems

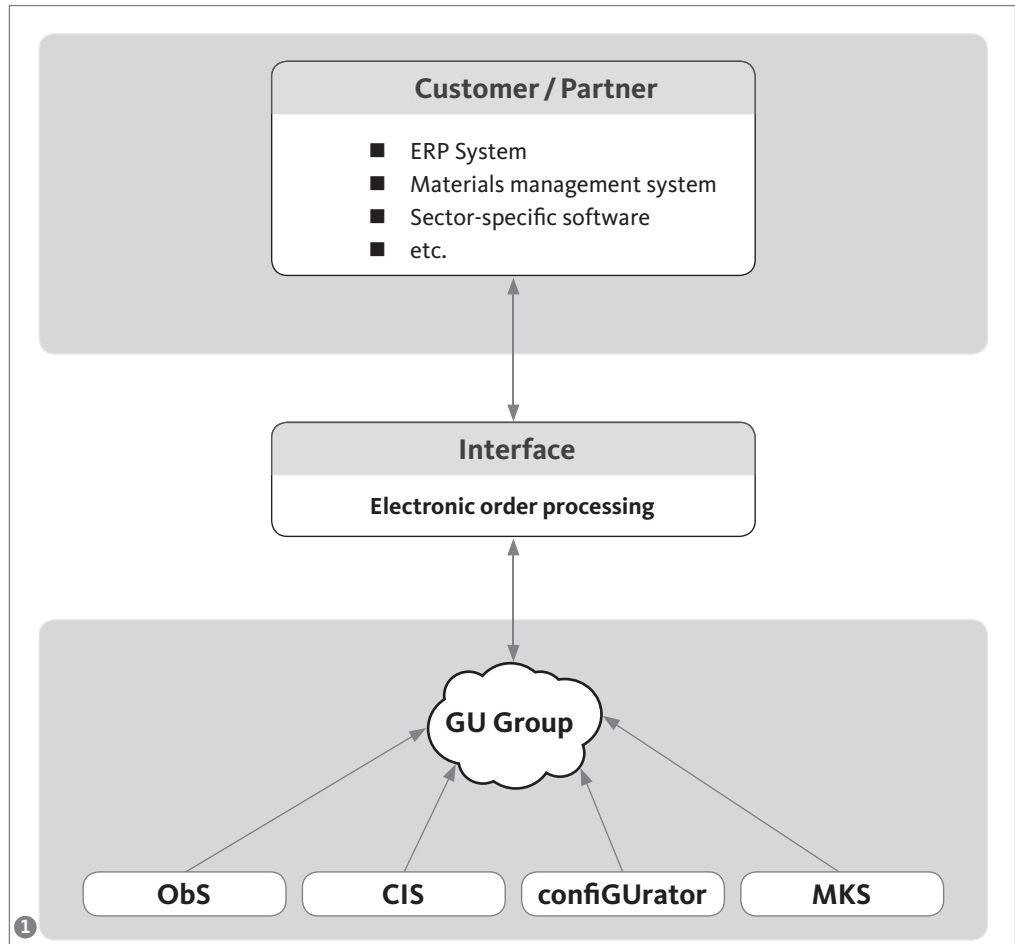
Optimised interfaces allowing for efficient order processing with the customer's own materials management system



The optimisation of internal business processes by means of intelligent software solutions (ERP systems [1]) is becoming the standard today. However, business processes reach beyond the boundaries of an enterprise.

The GU Group supports its customers in optimising their business processes from ordering through to invoicing.

What is more, we offer versatile options to realise electronic order processing with the customer's own software programmes. The most efficient method is ascertained in the course of a customer-specific project cycle before it is purposefully integrated into the ordering process.



System requirements:

- Customer's software must be able to create order files
- PC with internet connection
- Different transfer options according to customer

requirements (http, ftp, e-mail, transfer manager, etc.)

Service e-mail:

- transfermanager@g-u.de

① Order processing

Performance features:

- Complete handling of the digital value-added chain from order through to invoice
- Just-in-time delivery
- Reduced material planning effort
- Elimination of entry errors
- Reduced sourcing times
- Order processing around the clock

[1] ERP (Enterprise Resource Planning) Application software supporting all business processes in an enterprise.

Hardware data service

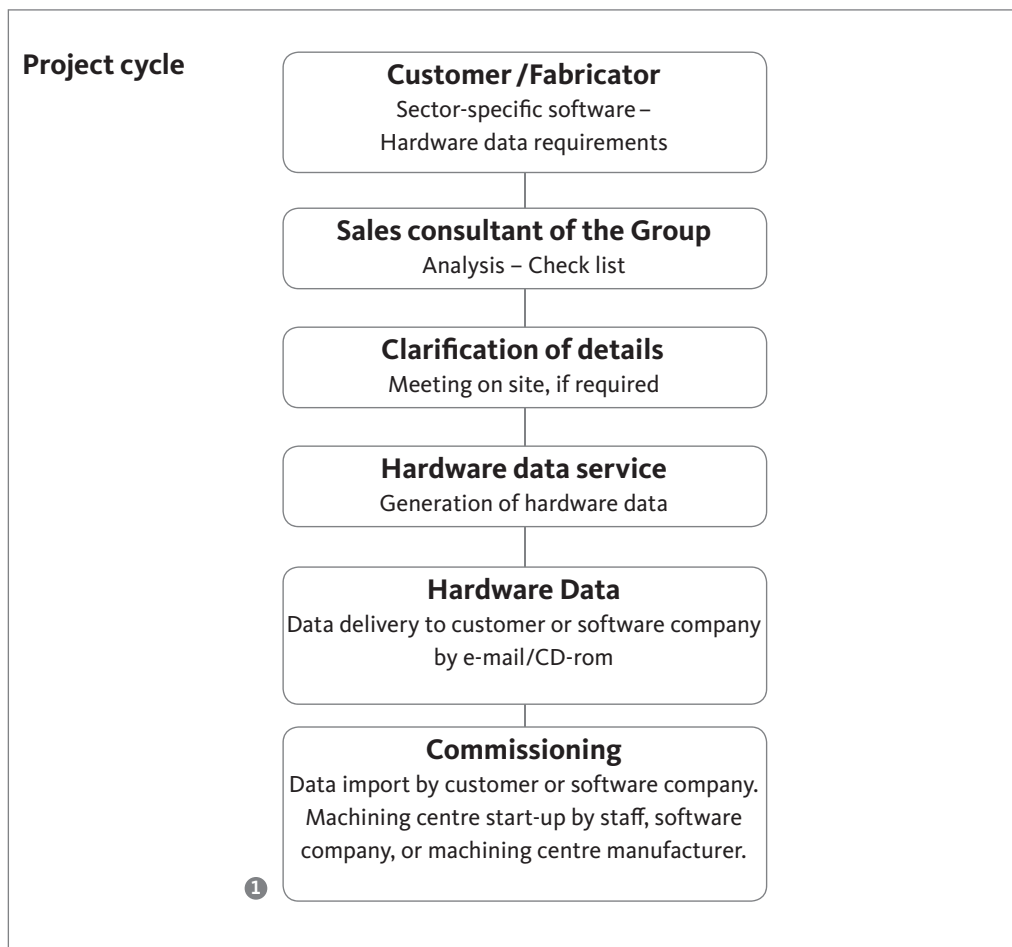
Provision of hardware data



The Gretsch-Unitas Group supplies individual database files for automated window fabrication, customised to the requirements of individual projects.

The database files are generated according to our order catalogues or in compliance with the fabricator's individual request.

As a result, the customer receives project-related data including commercial details and CNC data for the leading window and door fabrication programmes.



Service e-Mail:

■ beschlagdatenservice@g-u.de

① Project cycle

Overview of potential service data items

Commercial data

- Articles and single hardware components
- Article numbers
- Article descriptions
- Product groups / discount groups
- Gross prices

Technical details (CNC data)

- Length of components
- Cutting dimensions
- Locking cam positions
- Screw hole positions

- Position of connected components
- Provision of single component drawings and complete installation drawings in PDF format or DXF format for CAD programmes

Hardware sets

- Determination of components required per hardware set; provision of formulas to calculate the quantity of components depending on the element size
- Provision of software-related options within generated hardware sets
- Determination of the components' mounting position and mounting sequence plus data transfer to machining centres including data-driven machining job identification

On our homepage you will find product details, current information, campaigns, topical themes, and more. In the public domain we present:

- Products
- Reference projects
- News
- Tendering texts
- Working drawings
- Mounting and operating instructions
- Catalogues / Brochures
- etc.

Our homepage is also the central platform for all web-based modules such as:

- CIS
- MKS
- **confiGUrator**
- etc.

These modules are activated upon customer login with customer-specific settings.



System requirements:

- Internet connection
- Internet browser

Homepage:

- www.g-u.com

1 Navigation

2 Search and login

3 News and topical themes

4 Language selection

5 Content

Performance features:

- User-friendly, bilingual structure
- Basic and enhanced search function
- Public area and login area
- Individual content in login area



WINDOW TECHNOLOGY
DOOR TECHNOLOGY
AUTOMATIC ENTRANCE SYSTEMS
BUILDING MANAGEMENT SYSTEMS

Gretsch-Unitas GmbH
Baubeschläge
Johann-Maus-Str. 3
D-71254 Ditzingen
Phone +49(0)7156 301-0
Fax +49(0)7156 301-77980

BKS GmbH
Heidestr. 71
D-42549 Velbert
Phone +49(0)2051 201-0
Fax +49(0)2051 201-9733

www.g-u.com

Securing technology for you

