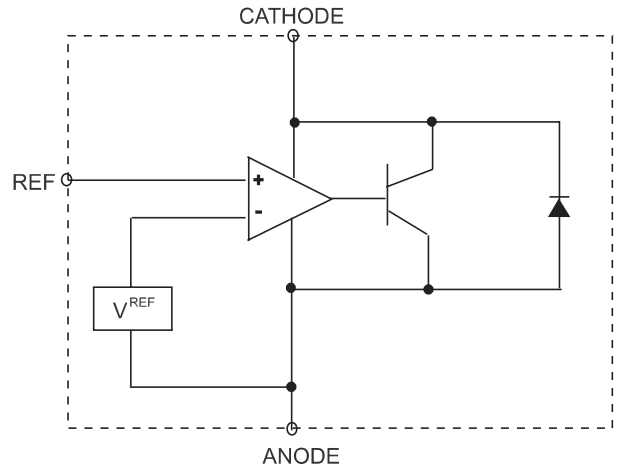

POWER BOARD

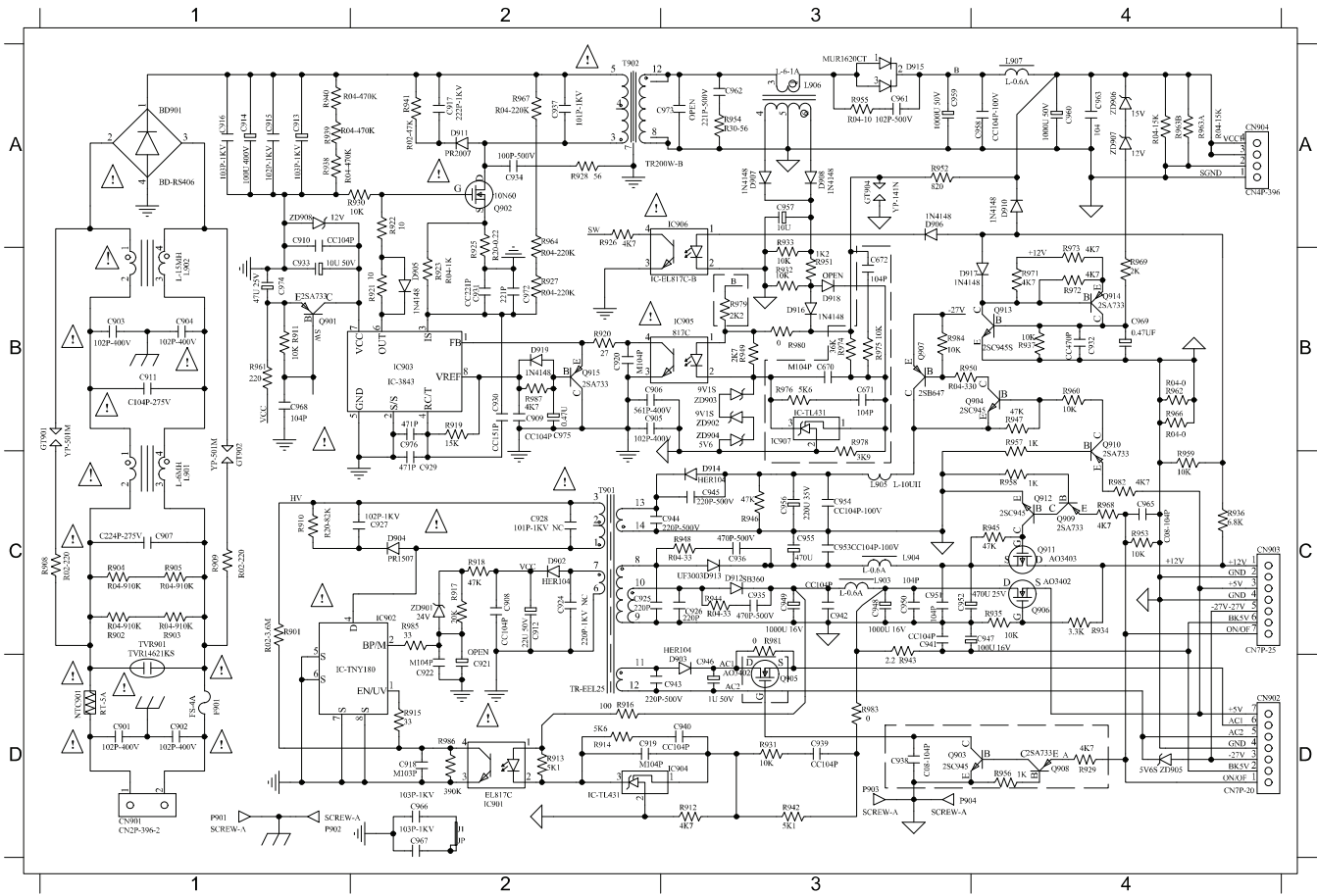
TABLE OF CONTENTS

Internal IC Diagram	7-1
Circuit Diagram	7-2
PCB Layout Top View	7-3
PCB Layout Bottom View	7-4



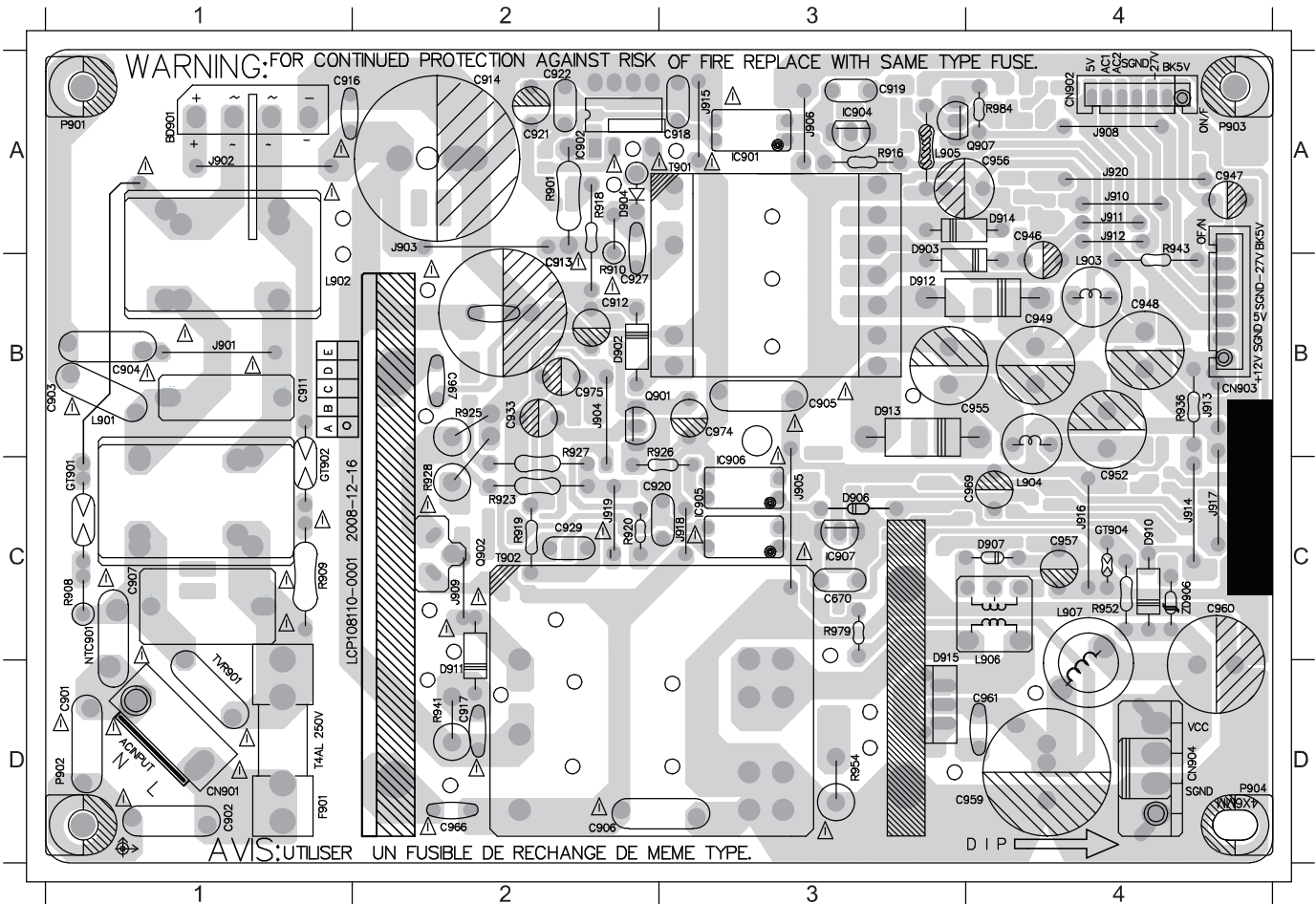
CIRCUIT DIAGRAM

BD901A1 C910 A1 C918 D2 C930 B2 C939 C3 C949 C3 C957 A3 C967 D2 CN903C4 D908 A3 D917 B3 IC905 B3 L907 A4 Q910 B4 R903 C1 R914 D2 R922 A2 R932 B3 R940 A1 R948 C3 R957 B4 R964 A2 R980 B3 T901 C2 ZD906A4
 C903 B1 C911 B1 C919 D2 C931 B2 C940 D3 C950 C3 C958 A3 C968 B1 CN904A4 D910 A4 D919 B2 IC906 A3 NTCS901D1 Q911 C4 R904 C1 R915 D2 R923 B2 R933 A3 R941 A2 R949 B3 R958 B4 R966 B4 R981 C3 T902 A2 ZD907A4
 C904 B1 C912 C2 C920 B2 C932 B4 C941 C3 C951 C3 C959 A3 C969 B4 D902 C2 D911 A2 F901 D1 L901 C1 Q901 B1 Q912 C4 R905 C1 R916 D2 R925 A2 R934 C4 R942 D3 R950 B3 R959 B4 R967 A2 R982 C4 TVR901C1 ZD908A1
 C905 B2 C913 A1 C921 D2 C933 B1 C942 C3 C952 C3 C960 A4 C972 B2 D903 D3 D912 C3 GT902B1 L902 B1 Q902 A2 Q913 B4 R909 C1 R917 C2 R926 A2 R935 C4 R943 D3 R951 B3 R960 B4 R968 C4 R983 D3 ZD901C2
 C906 B2 C914 A1 C922 D2 C934 A2 C945 C4 C953 C3 C961 A3 C974 B1 D904 C2 D913 C3 IC901 D2 L903 C3 Q904 B3 Q914 B4 R910 C1 R918 C2 R927 B2 R936 C4 R944 C3 R952 A2 R961 B1 R969 B4 R984 B3 ZD902B3
 C907 C1 C915 A1 C927 C2 C935 C3 C946 D3 C954 C3 C962 A3 C975 B2 D905 B2 D914 C3 IC902 C2 L904 C3 Q906 C4 Q915 B2 R911 B1 R919 B2 R928 A2 R937 B4 R945 C4 R953 C4 R962 B4 R971 B4 R985 C2 ZD903B3
 C908 C2 C916 A1 C928 C2 C936 C3 C947 C4 C955 C3 C963 D4 CN901D1 D906 A3 D915 A3 IC903 B2 L905 C3 Q907 B3 R901 C1 R912 D3 R920 B2 R930 A1 R938 A1 R946 C3 R954 A3 R963AA4 R972 B4 R986 D2 ZD904B3
 C909 B2 C917 A2 C929 C2 C937 A2 C948 C3 C956 C3 C965 C4 CN902D4 D907 A3 D916 B3 IC904 D3 L906 A3 Q909 C4 R902 C1 R913 D2 R921 B2 R931 D3 R939 D2 R947 B4 R955 A3 R963BA4 R973 B4 R987 B2 ZD905D4



PCB LAYOUT - TOP VIEW

BD901	A1	C907	C1	C916	A1	C921	A2	C946	A4	C955	B4	C961	D4	CN901	D1	D903	A3	D911	D2	F901	D1	IC905	B3	J904	B2	J910	A4	J915	A3	L901	B1	L906	C4	Q907	A4	R918	A2	R926	B2	R943	A4	T902	C2
C903	B1	C911	B1	C917	D2	C922	A2	C947	A4	C956	A4	C967	B2	CN902	A4	D904	A2	D912	B4	GT902	C1	IC906	C3	J905	C3	J911	A4	J916	C4	L902	B1	L907	C4	R901	A2	R919	C2	R927	B2	R952	C4	TVR901	C1
C904	B1	C912	B2	C918	A3	C927	B2	C948	B4	C957	C4	C969	C4	CN903	B4	D906	C3	D913	B3	IC901	A3	J901	B1	J906	A3	J912	A4	J917	C4	L903	B4	NTC901	C1	R909	C1	R920	C2	R928	C2	R954	D3	ZD906	C4
C905	B4	C913	B2	C919	A3	C929	C2	C949	B4	C959	D4	C974	B3	CN904	D4	D907	C4	D914	A4	IC902	A2	J902	A1	J908	A4	J913	B4	J918	C3	L904	C4	Q901	B2	R910	B2	R923	C2	R936	B4	R984	A4		
C906	D2	C914	A2	C920	C2	C933	B2	C952	C4	C960	C4	C975	B2	D902	B2	D910	C4	D915	C3	IC904	A3	J903	A2	J909	C2	J914	C4	J919	C2	L905	A3	Q902	C2	R916	A3	R925	B2	R941	D2	T901	A3		



PCB LAYOUT - BOTTOM VIEW

C941 A1 R953 A1 ZD905 A1 R912 A2 R983 A2 R939 A3 C950 B1 R944 B1 R937 B2 D919 B3 ZD908 B3 R933 C1 R969 C1 D916 C2 C909 C3 R922 C3 C958 D1 C937 D3
 C965 A1 R957 A1 C926 A2 R913 A2 R986 A2 R940 A3 C951 B1 R945 B1 R948 B2 Q915 B3 D908 C1 R951 C1 R971 C1 D917 C2 C934 C3 R930 C3 C963 D1
 Q904 A1 R960 A1 C939 A2 R914 A2 C915 A3 R985 A3 C953 B1 C932 B2 ZD902 B2 R961 B3 Q909 C1 R958 C1 R972 C1 Q913 C2 C972 C3 R902 C4 C931 D2
 Q910 A1 R962 A1 C940 A2 R931 A2 R915 A3 ZD901 A3 Q906 B1 C936 B2 ZD904 B2 R964 B3 Q912 C1 R959 C1 R973 C1 R949 C2 D905 C3 R903 C4 C962 D2
 R946 A1 R981 A1 C945 A2 R942 A2 R917 A3 C935 B1 Q911 B1 R911 B2 C908 B3 R967 B3 Q914 C1 R966 C1 ZD907 C1 R980 C2 IC903 C3 R904 C4 R955 D2
 R947 A1 R982 A1 C954 A2 R950 A2 R938 A3 C942 B1 R934 B1 R935 B2 C910 B3 R987 B3 R932 C1 R968 C1 C968 C2 ZD903 C2 R921 C3 R905 C4 C930 D3

