



FZX 750 PARTS LIST & DIAGRAMS



YAMAHA

PARTS CATALOGUE

FZX750'87 (2JE)

EUROPE

72JE-300E1

CONTENTS

GENERAL SPEC.

ENGINE

Cylinder Head	B2
Cylinder	B3
Crankshaft · Piston	B4
Valve	B5 ~ B6
Camshaft · Chain	B7
Water Pump, Piping	B8 ~ B9
Radiator · Hose	B10 ~ B11
Oil Pump	B12 ~ B13
Oil Cleaner	B14
Intake	B15 ~ C2
Carburetor	C3 ~ C4
Exhaust	C5
Crankcase	C6 ~ C7
Crankcase Cover 1	C8
Starter	C9
Clutch	C10 ~ C11
Transmission	C12 ~ C13
Shift Cam · Fork	C14
Shift Shaft	C15

CHASSIS

Frame	D2 ~ D3
Fender	D4 ~ D5
Side Cover	D6 ~ D7
Rear Arm · Suspension	D8
Steering	D9
Front Fork	D10 ~ D11

Fuel Tank	D12 ~ D13
Seat	D14
Front Wheel	D15
Front Brake Caliper	E2
Rear Wheel	E3 ~ E4
Rear Brake Caliper	E5
Steering Handle · Cable	E6
Front Master Cylinder	E7
Front Master Cylinder 2	E8
Stand · Footrest	E9 ~ E10
Rear Master Cylinder	E11
Generator	E12
Pick Up Coil · Governor	E13
Starting Motor	E14
Flasher Light	E15
Meter	F2 ~ F3
Headlight	F4
Taillight	F5
Handle Switch · Lever	F6
Electrical 1	F7
Electrical 2	F8

INDIVIDUAL SPEC.

FOR NORWAY

Alternate (Chassis)	F10
Alternate (Electrical)	F11

FOR SWEDEN

Alternate (Electrical)	F13
------------------------------	-----

FOR HOLLAND, BELGIUM, ITALY

Alternate (Chassis)	F15
Alternate (Electrical)	G2

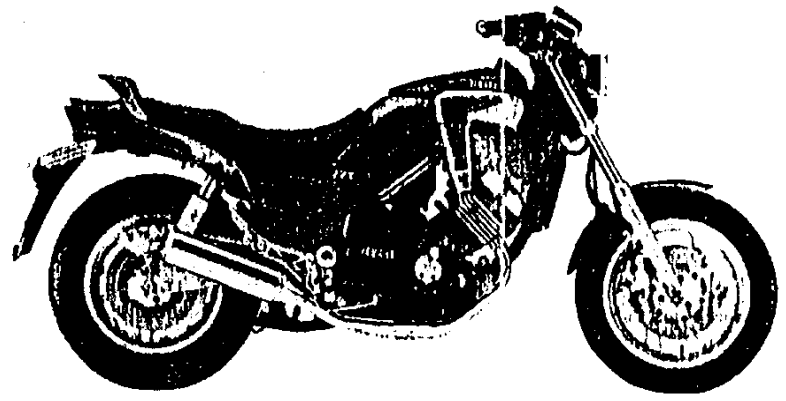
INDEX (GENERAL SPEC.)

NUMERICAL INDEX	L2 ~ L5
-----------------------	---------

INDEX (INDIVIDUAL SPEC.)

NUMERICAL INDEX	M2
-----------------------	----

28 2/10 1/2



A3

FOREWORD

This Parts Catalogue is related to the parts in use for the Yamaha FZX750 '87 (2JE).
When you are ordering replacement parts for the FZX750 '87 (2JE), refer to this Parts Catalogue and quote both part numbers and part names correctly.

1. Modifications or additions which have been made after issue of the Parts Catalogue will be announced in the Yamaha Parts News.
It is advisable that according to the Yamaha Parts News you make necessary corrections to the Parts Catalogue on hand to keep it up-to-date.

2. Abbreviations

The following abbreviations are used in this Parts Catalogue.

- U.R. Use size (thickness) and/or number as required.
- U.N. Use as many as you need.
- A.P. Alternate Parts
- L.M. Local Made
- F# Frame No. (Applicable machine No.)

3. The parts marked with (*) in the parts number column of this Catalogue are not supplied with by Yamaha, those have to be found locally.
4. Parts, which are to be supplied in the form of assemblies, are listed with an indentation of one letter's space, and a dot (.) is put against the name of each part.

EXAMPLE
 CARBURETOR ASS'Y
 . JET, pilot
 . NOZZLE, main

5. Indication of No. of constituent parts for assembly

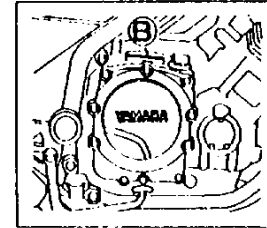
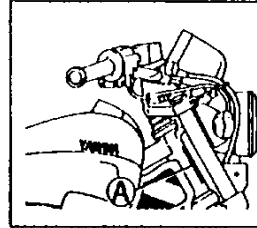
The numeral appearing to the right of each constituent part under the description indicates the quantity of such parts for each individual assembly unit.

EXAMPLE

Part No.	Description	Q'ty	Remarks
2F5-83310-60	FRONT FLASHER LIGHT ASS'Y	2	
115-83311-60	. BULB (6V-18W)	1	
1M1-83309-60	. REFLECTOR	1	

6. Initial Serial No. and Color Code

(A) Frame Serial No.	2JE-000101 and following
(B) Engine Serial No.	2JE-000101 and following



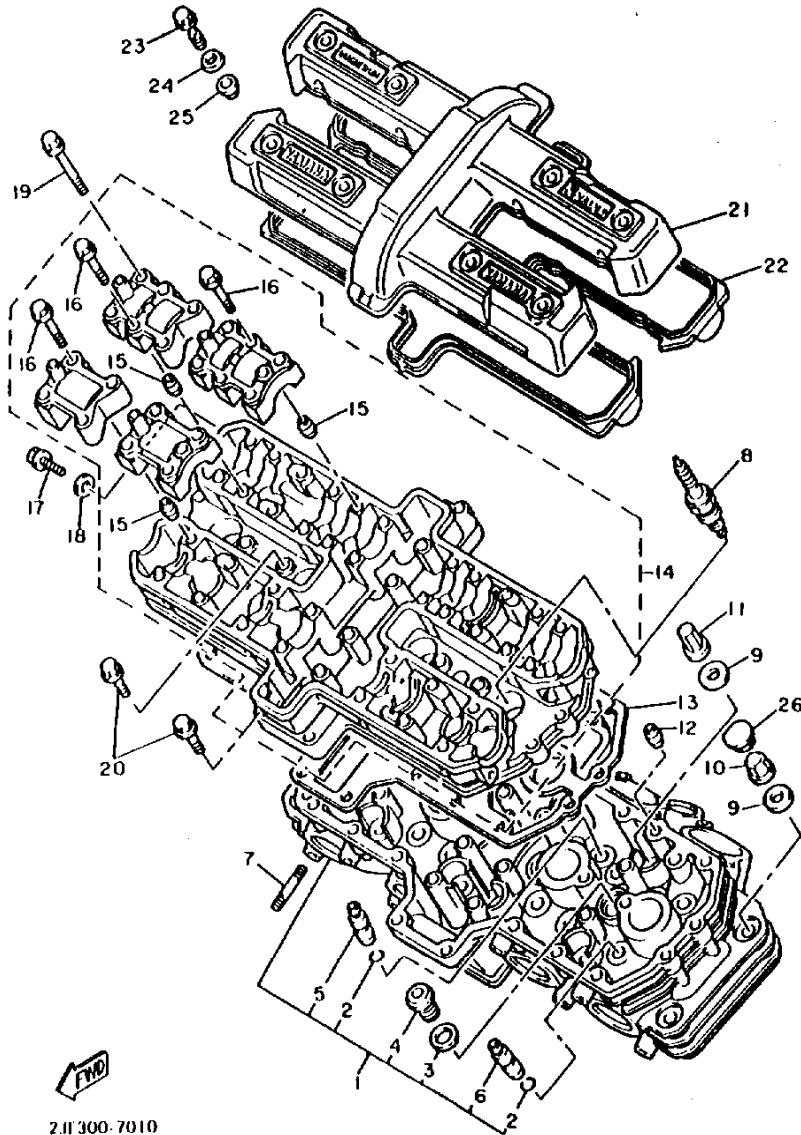
Color Code	Color Name	Abbreviate
LG	APPLE RED	ARE

17. Applicable colors of graphics are represented in the "Remarks" column by the letter(s) appropriately picked out of the full word(s) showing such colors.

EXAMPLE

Part No.	Description	Q'ty	Remarks
2N4-24110-00-X5	FUEL TANK COMP.	1	MAXIM RED
3J1-24240-10	. GRAPHIC, fuel tank set	1	for MXR

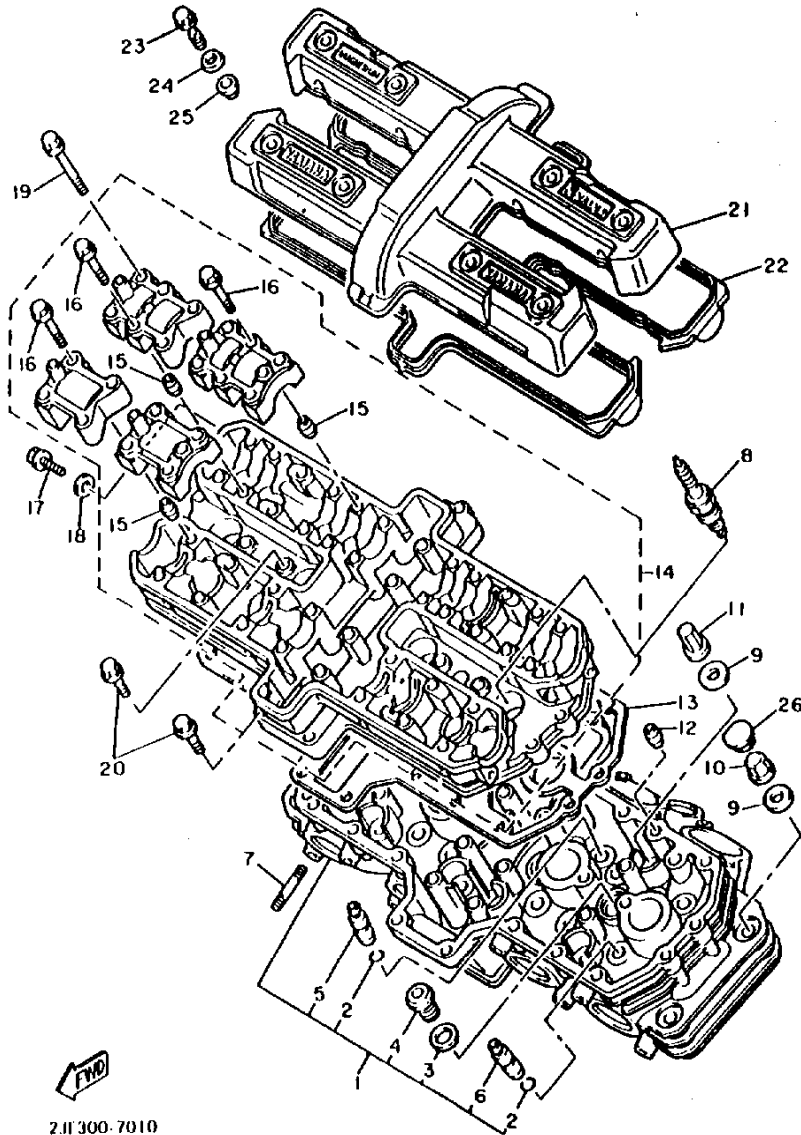
FIG. 1 CYLINDER HEAD



REF. NO.	PART NO.	DESCRIPTION	Q'TY	REMARKS
1	1UF-11101-01	CYLINDER HEAD ASSY	1	
2	93440-09141	.CIRCLIP	20	
3	90201-183H2	.WASHER, Plate	4	
4	90340-18101	.PLUG, straight screw	4	
5	1AA-11133-10	.GUIDE, intake valve	12	
6	1AA-11134-10	.GUIDE, exhaust valve	8	
7	95611-06630	BOLT, stud	8	
8	94701-00203	PLUG, sPark (NGK DR8ES-L)	4	UR
	94701-00222	PLUG, sPark (ND X24ESR-U)	4	UR
9	90201-096J9	WASHER, Plate	12	
10	90179-09489	NUT	4	
11	90179-09490	NUT	8	
12	99630-10014	PIN, dowel	2	
13	2GH-11182-00	GASKET, cylinder head 2	1	
14	1UF-1115A-01	CAM CASE ASSY	1	
15	99510-08018	.PIN, dowel	16	
16	90105-08153	.BOLT, washer based	16	
17	95026-08012	BOLT, flange	1	
18	90430-08014	GASKET	1	
19	90105-06382	BOLT, washer based	24	
20	95026-08025	BOLT, flange	11	
21	1UF-11191-00	COVER, cylinder head 1	1	
22	1UF-11193-00	GASKET, head cover 1	1	
23	90119-06112	BOLT, with washer	8	
24	90209-11282	WASHER	8	
25	2GH-1111G-00	RUBBER, mount 1	8	
26	90338-20183	PLUG	4	

2.H.300-7010

FIG. 1 CYLINDER HEAD

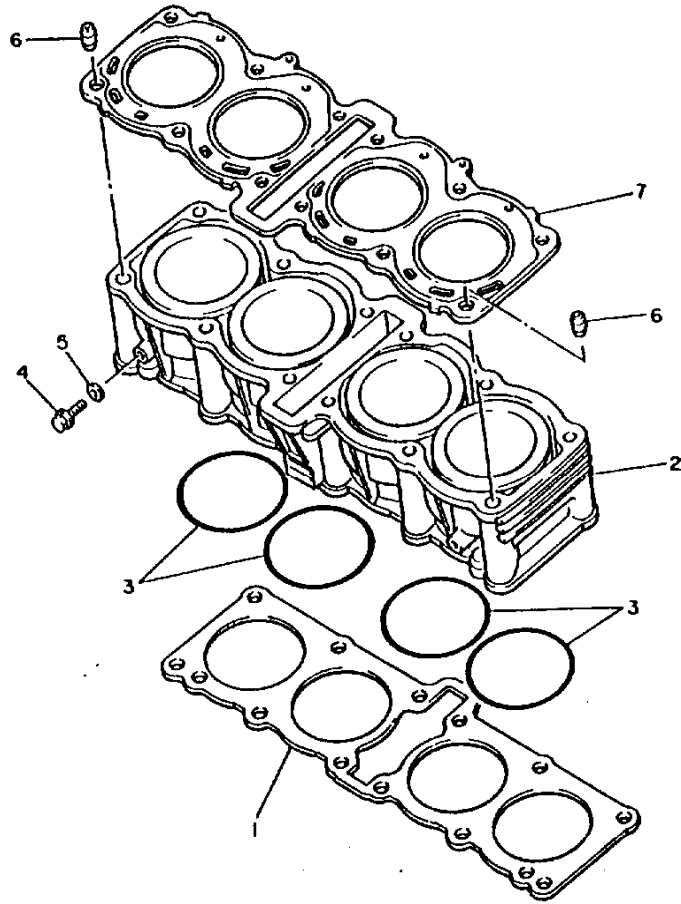


REF. NO.	PART NO.	DESCRIPTION	Q'TY	REMARKS
1	1UF-11101-01	CYLINDER HEAD ASSY	1	
2	93440-09141	.CIRCLIP	20	
3	90201-183H2	.WASHER, Plate	4	
4	90340-18101	.PLUG, straight screw	4	
5	1AA-11133-10	.GUIDE, intake valve	12	
6	1AA-11134-10	.GUIDE, exhaust valve	8	
7	95611-06630	BOLT, stud	8	
8	94701-00203	PLUG, sPark (NGK DRBES-L)	4	UR
	94701-00222	PLUG, sPark (ND X24ESR-U)	4	UR
9	90201-096J9	WASHER, Plate	12	
10	90179-09489	NUT	4	
11	90179-09490	NUT	8	
12	99630-10014	PIN, dowel	2	
13	2GH-11182-00	GASKET, cylinder head 2	1	
14	1UF-1115A-01	CAM CASE ASSY	1	
15	99510-08018	.PIN, dowel	16	
16	90105-08153	.BOLT, washer based	16	
17	95026-08012	BOLT, flange	1	
18	90430-08014	GASKET	1	
19	90105-06382	BOLT, washer based	24	
20	95026-08025	BOLT, flange	11	
21	1UF-11191-00	COVER, cylinder head 1	1	
22	1UF-11193-00	GASKET, head cover 1	1	
23	90119-06112	BOLT, with washer	8	
24	90209-11282	WASHER	8	
25	2GH-1111G-00	RUBBER, mount 1	8	
26	90338-20183	PLUG	4	

2.H.300-7010

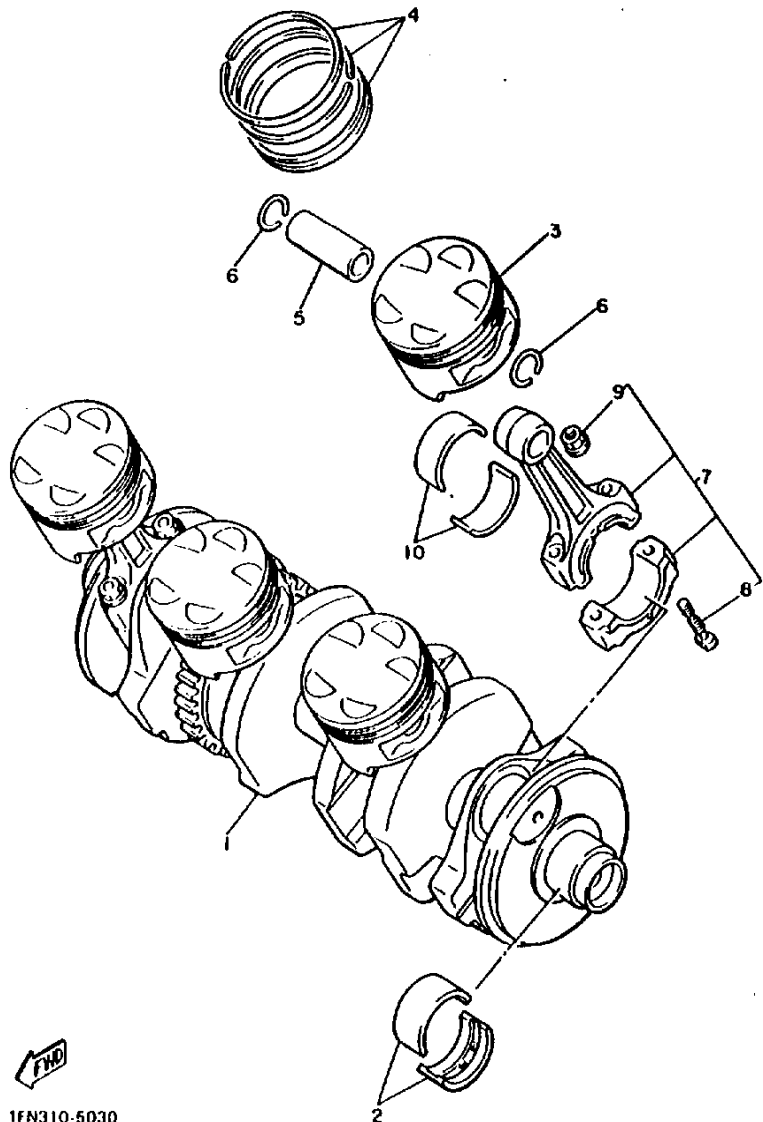
FIG. 2 CYLINDER

REF. NO.	PART NO.	DESCRIPTION	Q'TY	REMARKS
1	1AA-11351-00	GASKET, cylinder	1	
2	1AE-11310-01	CYLINDER	1	
3	93210-73693	O-RING	4	
4	95026-06012	BOLT, flange	2	
5	90430-06014	GASKET	2	
6	91810-08016	PIN, dowel	2	
7	2KT-11181-00	GASKET, cylinder head 1	1	



2MF171-7020

FIG. 3 CRANKSHAFT, PISTON



REF. NO.	PART NO.	DESCRIPTION	Q'TY	REMARKS
1	1AE-11411-01	CRANKSHAFT	1	
2	1AE-11416-00	PLANE BEARING, crankshaft 1	10	UR blue
	1AE-11416-10	PLANE BEARING, crankshaft 1	10	UR black
	1AE-11416-20	PLANE BEARING, crankshaft 1	10	UR brown
	1AE-11416-30	PLANE BEARING, crankshaft 1	10	UR Green
	1AE-11416-40	PLANE BEARING, crankshaft 1	10	UR yellow
3	1AE-11631-00	PISTON (STD)	4	
	1AE-11638-00	PISTON (0.50MM O/S)	4	AP
	1AE-11638-00	PISTON (1.00MM O/S)	4	AP
4	1AA-11610-00	PISTON RING SET (STD)	4	
	1AA-11610-20	PISTON RING SET (2ND O/S)	4	AP
	1AA-11610-40	PISTON RING SET (4TH O/S)	4	AP
5	1AA-11633-00	PIN, Piston	4	
6	93450-19052	CIRCLIP	8	
7	1AE-11650-00	CONNECTING ROD ASSY	4	
8	12R-11654-00	BOLT, connecting rod	2	
9	90179-08327	NUT	2	
10	1AE-11656-00	PLANE BEARING, connecting rod	8	UR blue
	1AE-11656-10	PLANE BEARING, connecting rod	8	UR black
	1AE-11656-20	PLANE BEARING, connecting rod	8	UR brown
	1AE-11656-30	PLANE BEARING, connecting rod	8	UR Green

BEARING SELECTION
Housing No. - Shaft No. = Bearing No.

BEARING No.	PART No.	COLOUR
BEARING 1	1AE-11416-00	BLUE
BEARING 2	1AE-11416-10	BLACK
BEARING 3	1AE-11416-20	BROWN
BEARING 4	1AE-11416-30	GREEN
BEARING 5	1AE-11416-40	YELLOW

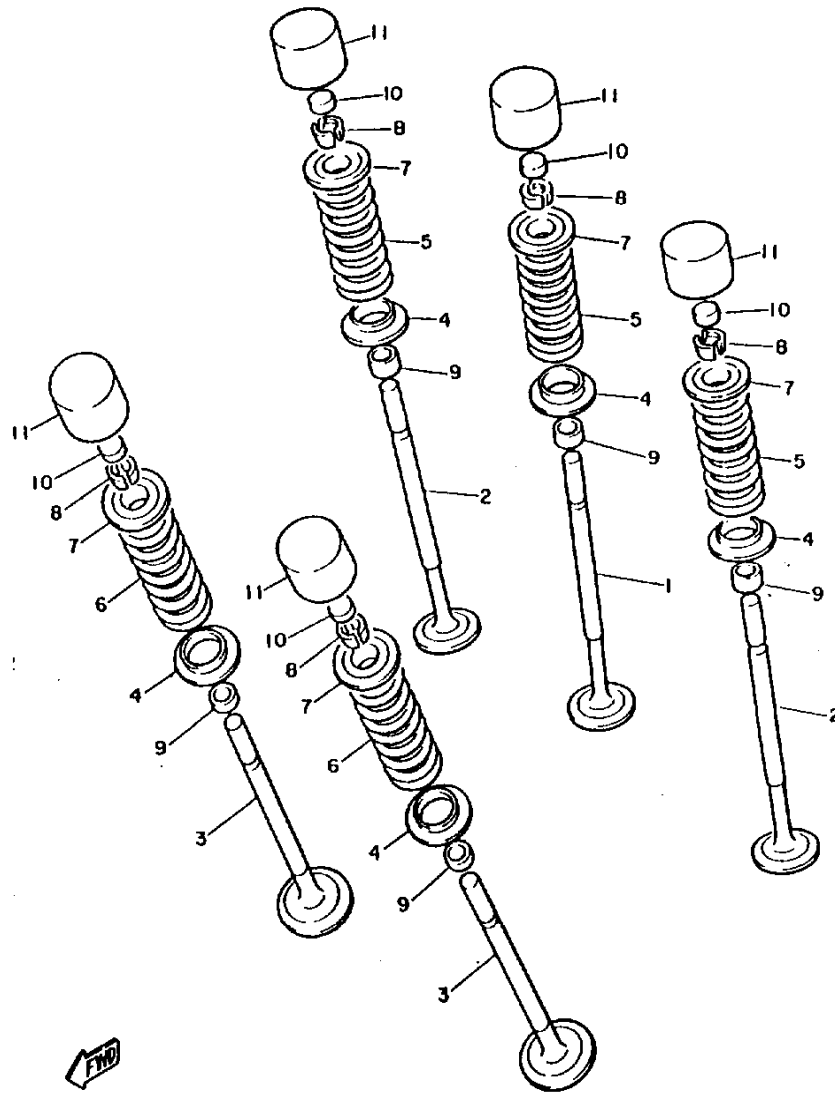
BEARING No.	PART No.	COLOUR
BEARING 1	1AE-11656-00	BLUE
BEARING 2	1AE-11656-10	BLACK
BEARING 3	1AE-11656-20	BROWN
BEARING 4	1AE-11656-30	GREEN



1FN310-5030

B4

FIG. 4 VALVE



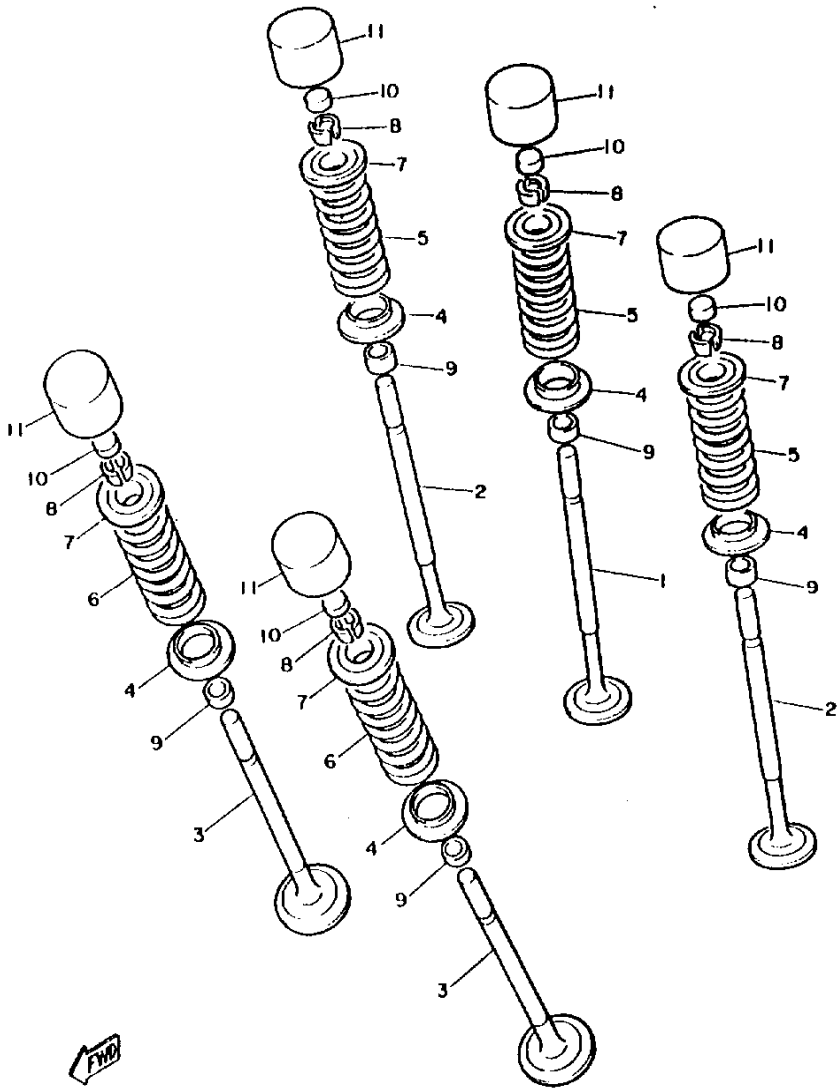
REF. NO.	PART NO.	DESCRIPTION	Q'TY	REMARKS
1	IAA-12111-01	VALVE, intake	4	
2	IAA-12112-01	VALVE, intake 2	8	
3	IAA-12121-01	VALVE, exhaust	8	
4	IAA-12116-00	SEAT, valve sPrinG	20	
5	IAA-12113-00	SPRING, valve inner	12	
6	IAA-12114-00	SPRING, valve outer	8	
7	IAA-12117-00	RETAINER, valve sPrinG	20	
8	IAA-12118-00	COTTER, valve	40	
9	33M-12119-00	SEAL, valve stem	20	
10	IAA-12168-00	PAD, adjustinG (1.20)	20	UR
	IAA-12168-20	PAD, adjustinG (1.25)	20	UR
	IAA-12168-40	PAD, adjustinG (1.30)	20	UR
	IAA-12168-60	PAD, adjustinG (1.35)	20	UR
	IAA-12168-80	PAD, adjustinG (1.40)	20	UR
	IAA-12168-A0	PAD, adjustinG (1.45)	20	UR
	IAA-12168-F0	PAD, adjustinG (1.50)	20	UR
	IAA-12168-H0	PAD, adjustinG (1.55)	20	UR
	IAA-12168-K0	PAD, adjustinG (1.60)	20	UR
	IAA-12168-M0	PAD, adjustinG (1.65)	20	UR
	IAA-12168-R0	PAD, adjustinG (1.70)	20	UR
	IAA-12168-U0	PAD, adjustinG (1.75)	20	UR
	IAA-12168-W0	PAD, adjustinG (1.80)	20	UR
	IAA-12168-Y0	PAD, adjustinG (1.85)	20	UR
	IAA-12169-10	PAD, adjustinG (1.90)	20	UR
	IAA-12169-30	PAD, adjustinG (1.95)	20	UR
	IAA-12169-50	PAD, adjustinG (2.00)	20	UR
	IAA-12169-70	PAD, adjustinG (2.05)	20	UR
	IAA-12169-90	PAD, adjustinG (2.10)	20	UR



1FN310-5040

B5

FIG. 4 VALVE



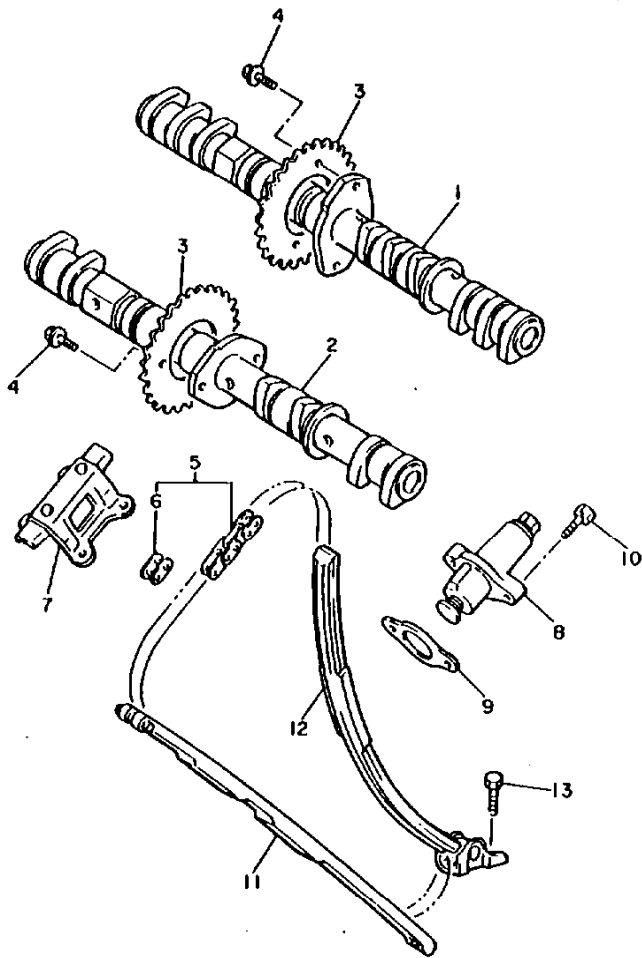
REF. NO.	PART NO.	DESCRIPTION	Q'TY	REMARKS
10	IAA-12169-E0	PAD, adjustin8 (2.15)	20	UR
	IAA-12169-00	PAD, adjustin8 (2.20)	20	UR
	IAA-12169-J0	PAD, adjustin8 (2.25)	20	UR
	IAA-12169-L0	PAD, adjustin8 (2.30)	20	UR
	IAA-12169-N0	PAD, adjustin8 (2.35)	20	UR
	IAA-12169-T0	PAD, adjustin8 (2.40)	20	UR
11	IAA-12153-01	LIFTER, valve	20	UR black
	IAA-12153-09	LIFTER, valve	20	UR green



1FN310-5040

B6

FIG. 5 CAMSHAFT, CHAIN

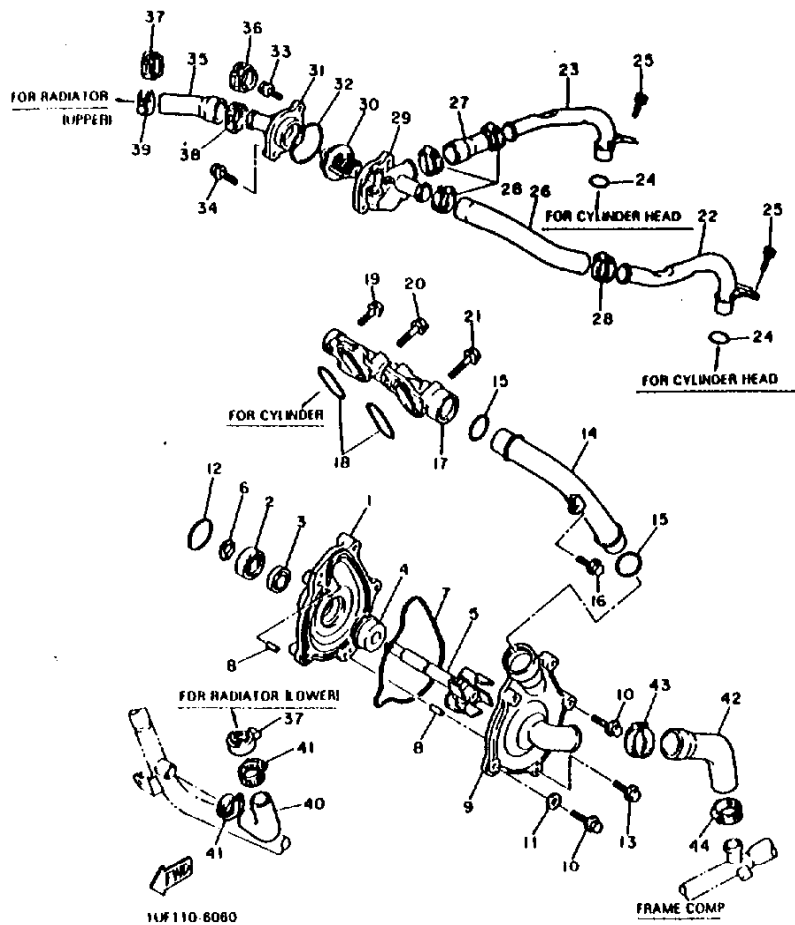


REF. NO.	PART NO.	DESCRIPTION	Q'TY	REMARKS
1	1UF-12171-01	CAMSHAFT 1	1	
2	1UF-12181-00	CAMSHAFT 2	1	
3	4G0-12176-01	SPROCKET, cam chain	2	
4	90105-07342	BOLT, washer based	4	
5	94580-37110	CHAIN (DID219FTS-110L)	1	
6	94680-37021	JDINT, chain	1	
7	2GH-12241-00	GUIDE, stopper 2	1	
8	1AE-12210-00	TENSIONER ASSY, cam chain	1	
9	30X-12213-00	GASKET, tensioner case	1	
10	95026-08025	BOLT, flange	2	
11	1AE-12251-00	DAMPER, chain 1	1	
12	2GH-12252-00	DAMPER, chain 2	1	
13	90109-085A8	BOLT	2	



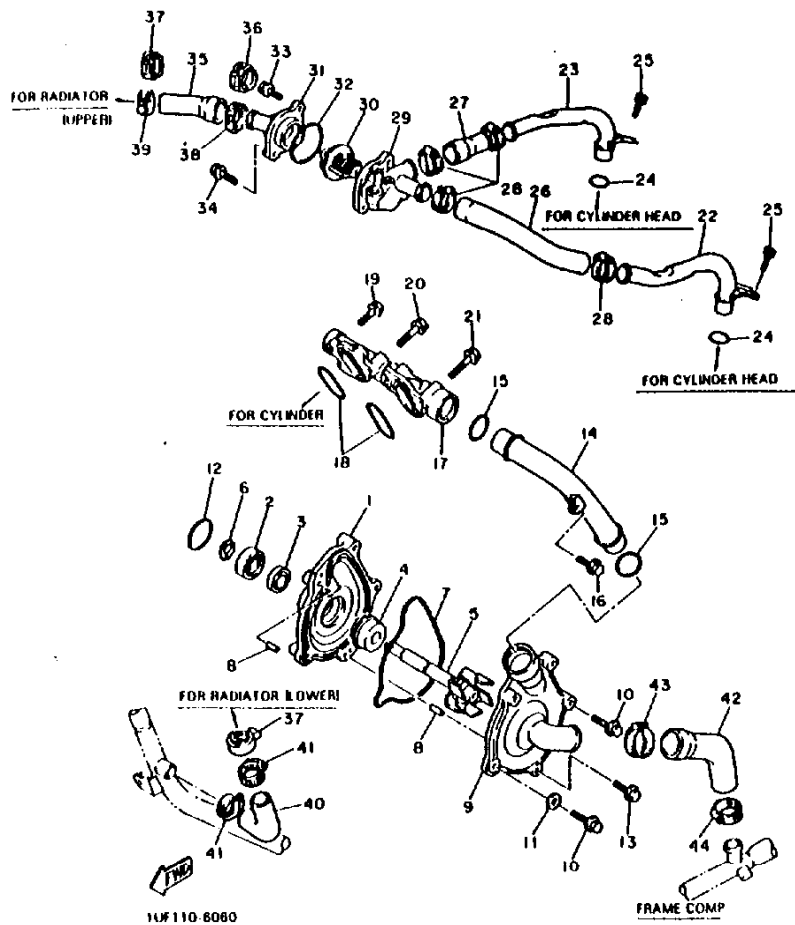
1FN310-5050

FIG. 6 WATER PUMP, PIPING



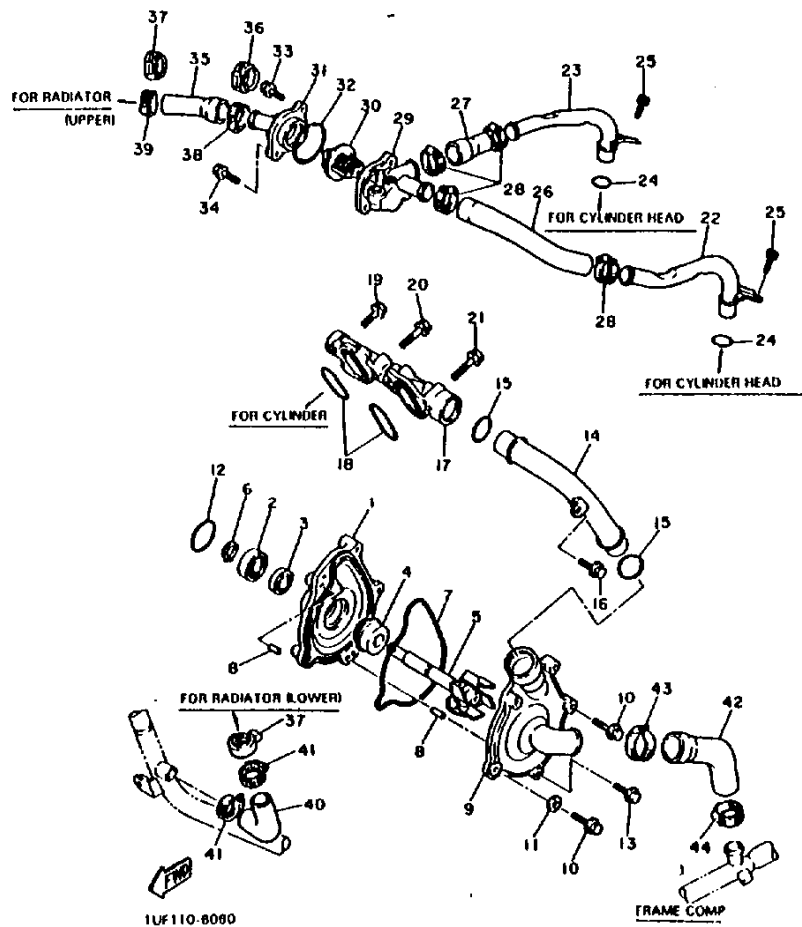
REF. NO.	PART NO.	DESCRIPTION	Q'TY	REMARKS
1	IUF-12421-00	HOUSING, water Pump	1	
2	93306-00106	BEARING	1	
3	93101-12060	OIL SEAL	1	
4	11H-12438-00	SEAL, mechanical	1	
5	IUF-12450-00	IMPELLER SHAFT ASSY	1	
6	99009-12400	CIRCLIP	1	
7	1AE-12439-00	O-RING	1	
8	93604-10011	PIN, dowel	2	
9	IUF-12422-00	COVER, housing	1	
10	95026-06025	BOLT, flange	3	
11	90430-06014	GASKET	1	
12	93210-33133	O-RING	1	
13	95026-06050	BOLT, flange	2	
14	IUF-12481-00	PIPE 1	1	
15	93210-23692	O-RING	2	
16	95026-06012	BOLT, flange	1	
17	1AE-12489-01	JOINT 1	1	
18	93210-30894	O-RING	2	
19	95026-06020	BOLT, flange	1	
20	95026-06030	BOLT, flange	1	
21	95026-06040	BOLT, flange	2	
22	IUF-12482-00	PIPE 2	1	
23	IUF-12483-00	PIPE 3	1	
24	93210-18417	O-RING	2	
25	91316-06012	BOLT	2	
26	IUF-12576-00	HOSE 1	1	
27	IUF-12577-00	HOSE 2	1	
28	90460-32284	CLAMP, hose	4	

FIG. 6 WATER PUMP, PIPING



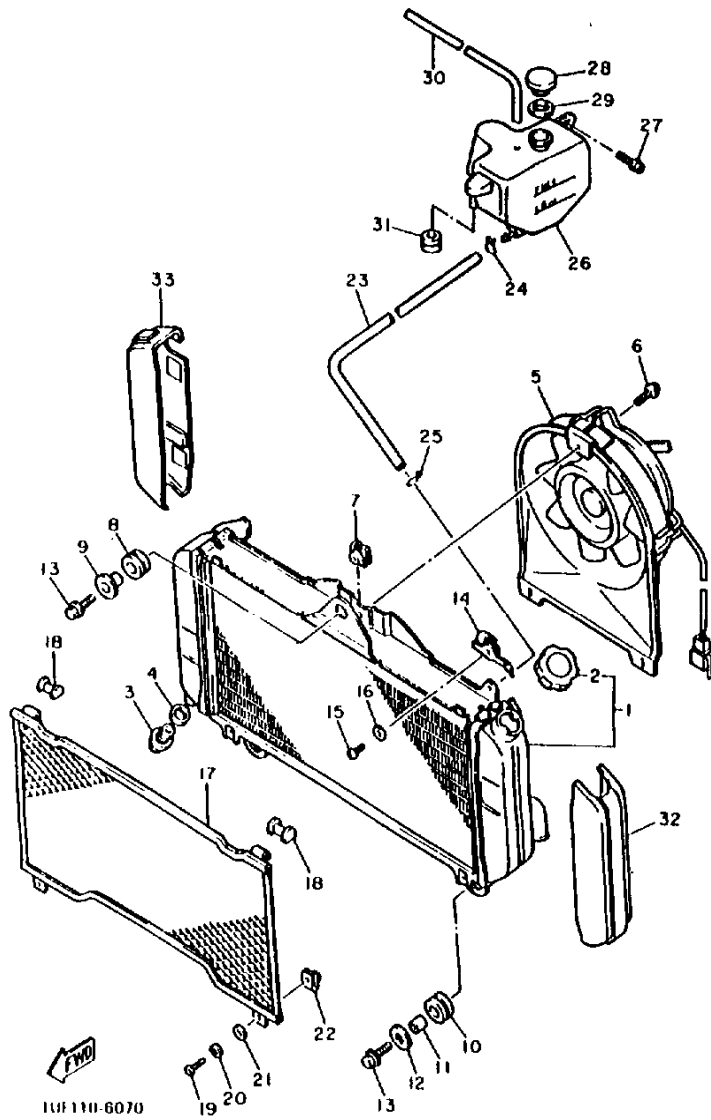
REF. NO.	PART NO.	DESCRIPTION	Q'TY	REMARKS
1	IUF-12421-00	HOUSING, water Pump	1	
2	93306-00106	BEARING	1	
3	93101-12060	OIL SEAL	1	
4	11H-12438-00	SEAL, mechanical	1	
5	IUF-12450-00	IMPELLER SHAFT ASSY	1	
6	99009-12400	CIRCLIP	1	
7	1AE-12439-00	O-RING	1	
8	93604-10011	PIN, dowel	2	
9	IUF-12422-00	COVER, housing	1	
10	95026-06025	BOLT, flange	3	
11	90430-06014	GASKET	1	
12	93210-33133	O-RING	1	
13	95026-06050	BOLT, flange	2	
14	IUF-12481-00	PIPE 1	1	
15	93210-23692	O-RING	2	
16	95026-06012	BOLT, flange	1	
17	1AE-12489-01	JOINT 1	1	
18	93210-30894	O-RING	2	
19	95026-06020	BOLT, flange	1	
20	95026-06030	BOLT, flange	1	
21	95026-06040	BOLT, flange	2	
22	IUF-12482-00	PIPE 2	1	
23	IUF-12483-00	PIPE 3	1	
24	93210-18417	O-RING	2	
25	91316-06012	BOLT	2	
26	IUF-12576-00	HOSE 1	1	
27	IUF-12577-00	HOSE 2	1	
28	90460-32284	CLAMP, hose	4	

FIG. 6 WATER PUMP, PIPING



REF. NO.	PART NO.	DESCRIPTION	Q'TY	REMARKS
29	IUF-12417-00	HOUSING, thermostat	1	
30	1AE-12410-00	THERMOSTAT ASSY	1	
31	IUF-12413-00	COVER, thermostat	1	
32	93210-49046	O-RING	1	
33	95026-06020	BOLT, flange	1	
34	95026-06030	BOLT, flange	1	
35	IUF-12578-00	HOSE 3	1	
36	IUF-1246G-00	COVER 4	1	
37	IUF-1246H-00	COVER 5	2	
38	90460-38285	CLAMP, hose	1	
39	90460-32284	CLAMP, hose	1	
40	IUF-12579-00	HOSE 4	1	
41	90460-32284	CLAMP, hose	2	
42	IUF-12588-00	HOSE 5	1	
43	90460-38285	CLAMP, hose	1	
44	90460-32284	CLAMP, hose	1	

FIG. 7 RADIATOR. HOSE



REF. NO.	PART NO.	DESCRIPTION	Q'TY	REMARKS
1	1UF-12461-00	RADIATOR ASSY	1	
2	26H-12462-00	CAP, radiator	1	
3	1AA-12561-00	PLUG, drain cock	1	
4	1AA-12435-00	GASKET	1	
5	1UF-12405-00	BLOWER ASSY	1	
6	11H-12675-00	BOLT, blower holding	3	
7	1AA-12535-00	PLATE	3	
8	90480-18276	GROMMET	1	
9	90387-07037	COLLAR	1	
10	90480-18435	GROMMET	2	
11	90387-08562	COLLAR	2	
12	90201-082K2	WASHER, Plate	2	
13	95826-08020	BOLT, flange	3	
14	1UF-12437-00	STOPPER	1	
15	98506-04010	SCREW, Pan head	1	
16	92906-04600	WASHER, Plate	1	
17	1UF-12467-00	COVER, radiator	1	
18	1UF-12435-00	GASKET	2	
19	98506-05010	SCREW, Pan head	2	
20	92906-05100	WASHER, sPring	2	
21	92906-05600	WASHER, Plate	2	
22	90183-05024	NUT, sPring	2	
23	90445-095E9	HOSE	1	
24	90467-08017	CLIP	1	
25	90467-08040	CLIP	1	
26	1UF-21871-00	TANK, recovery	1	
27	90159-06058	SCREW, with washer	1	
28	4L0-21875-00	CAP	1	

B10

FIG. 7 RADIATOR HOSE

REF. NO.	PART NO.	DESCRIPTION	Q'TY	REMARKS
29	1AA-21874-00	GASKET	1	
30	1UF-21816-00	PIPE 1	1	
31	90480-14052	GROMMET	1	
32	1UF-1246A-00	COVER 1	1	
33	1UF-1246E-00	COVER 2	1	

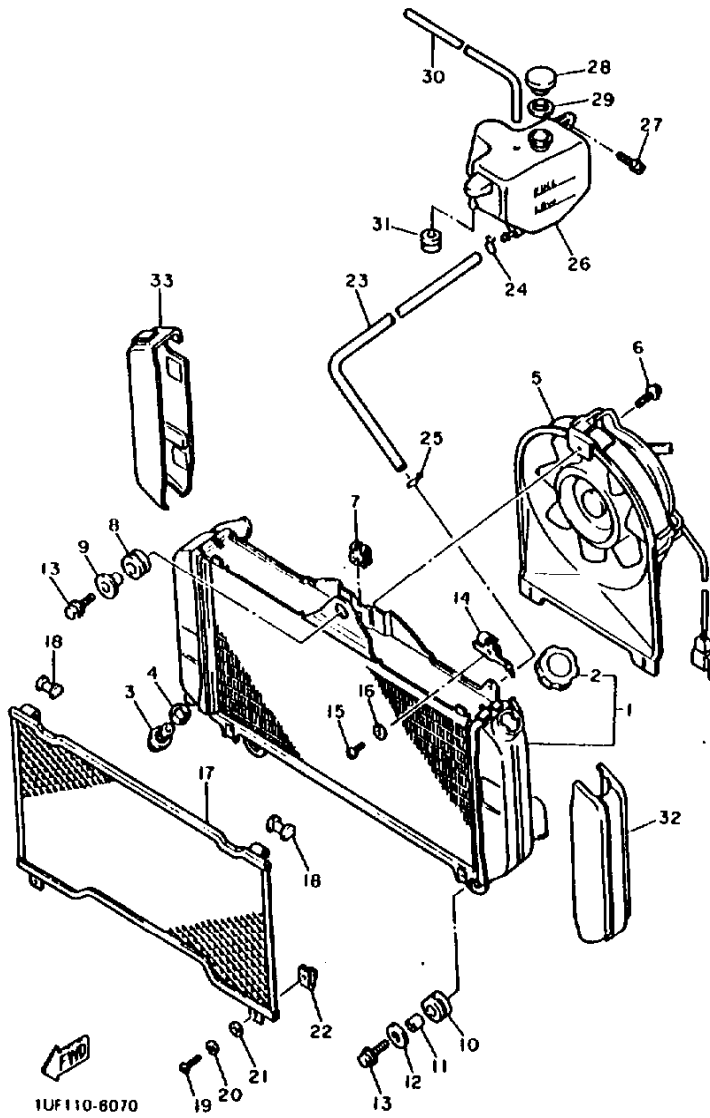
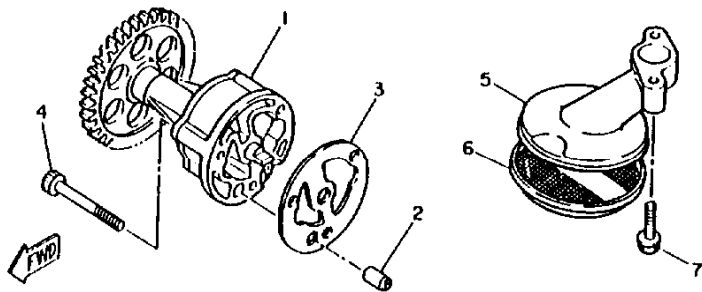
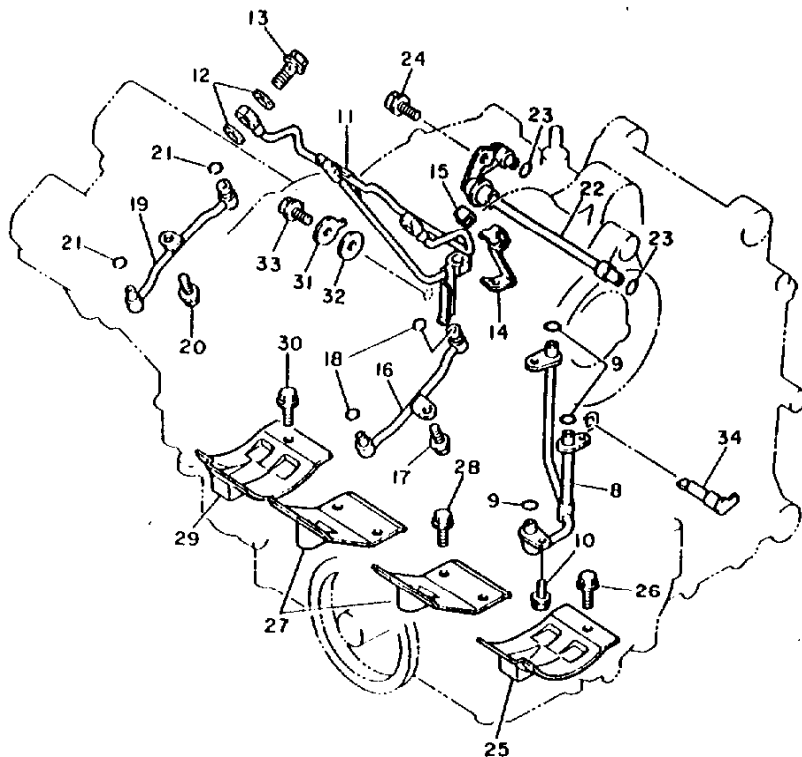


FIG. 8 OIL PUMP

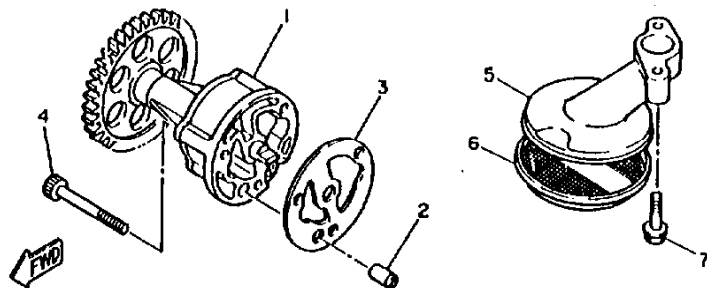
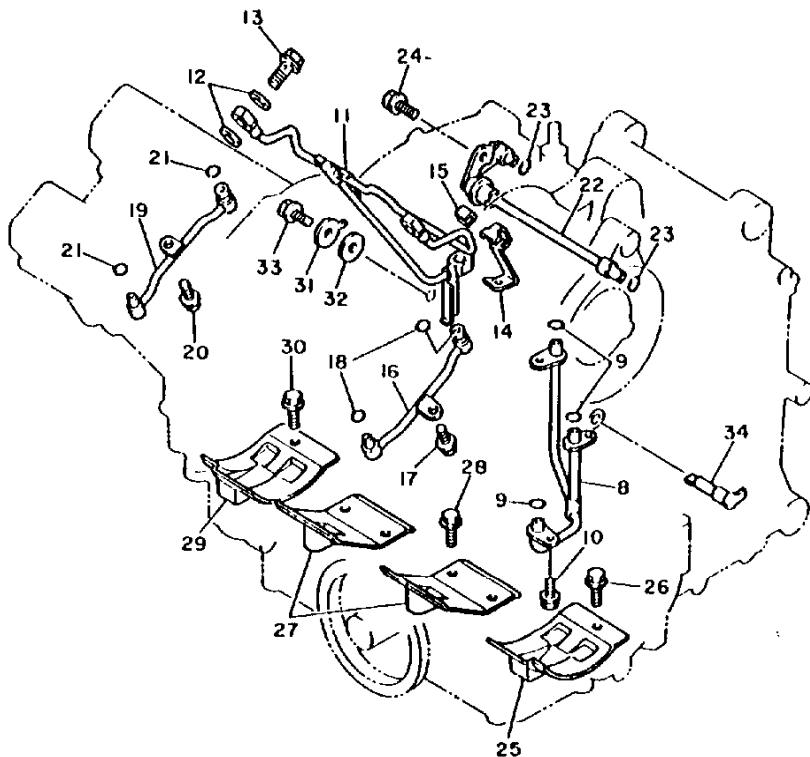


1UF110 6080

REF. NO.	PART NO.	DESCRIPTION	Q'TY	REMARKS
1	1AE-13300-00	OIL PUMP ASSY	1	
2	91810-18013	PIN, dowel	1	
3	2GH-13329-00	GASKET, Pump cover	1	
4	91316-08050	BOLT	3	91316-08050
5	1AE-13412-00	HOUSING, strainer	1	
6	1AE-13411-00	STRAINER, oil	1	
7	95026-06030	BOLT, flange	2	
8	1AE-13161-00	PIPE, delivery 1	1	
9	93210-06714	O-RING	3	
10	95028-06012	BOLT, flange	2	
11	1UF-13171-00	PIPE, delivery 2	1	
12	90430-10188	GASKET	6	
13	90401-10096	BOLT, union	3	
14	1UF-13151-00	STAY	1	
15	90480-05434	GROMMET	1	
16	1AA-13181-00	PIPE, delivery 3	1	
17	95026-06012	BOLT, flange	1	
18	93210-06632	O-RING	2	
19	1AA-13191-00	PIPE, delivery 4	1	
20	95028-06012	BOLT, flange	1	
21	93210-06632	O-RING	2	
22	1AE-1316E-00	PIPE, delivery 5	1	
23	93210-07136	O-RING	2	
24	95028-06012	BOLT, flange	1	
25	2GH-15123-00	PLATE, baffle 1	1	
26	95028-06012	BOLT, flange	2	
27	1AE-15124-00	PLATE, baffle 2	2	
28	95026-06012	BOLT, flange	6	

FIG. 8 OIL PUMP

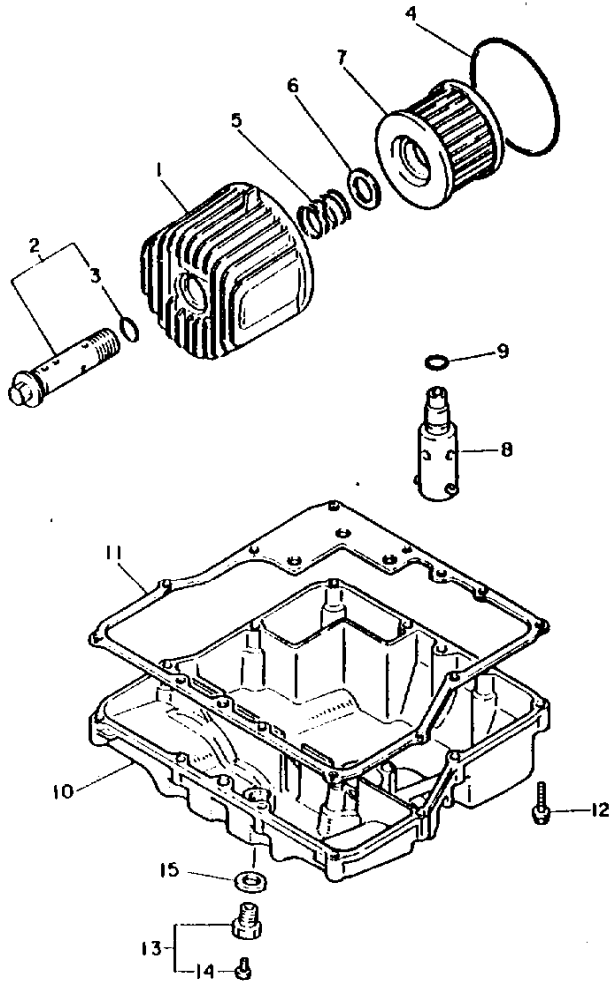
REF. NO.	PART NO.	DESCRIPTION	Q'TY	REMARKS
29	2GH-15133-00	PLATE, buffle 3	1	
30	95026-06012	BOLT, flange	2	
31	90201-060K2	WASHER, Plate	1	
32	90430-06195	GASKET	1	
33	95811-06016	BOLT, flange	1	
34	1AE-13454-00	NOZZLE	1	



1UF110-6080

B13

FIG. 9 OIL CLEANER

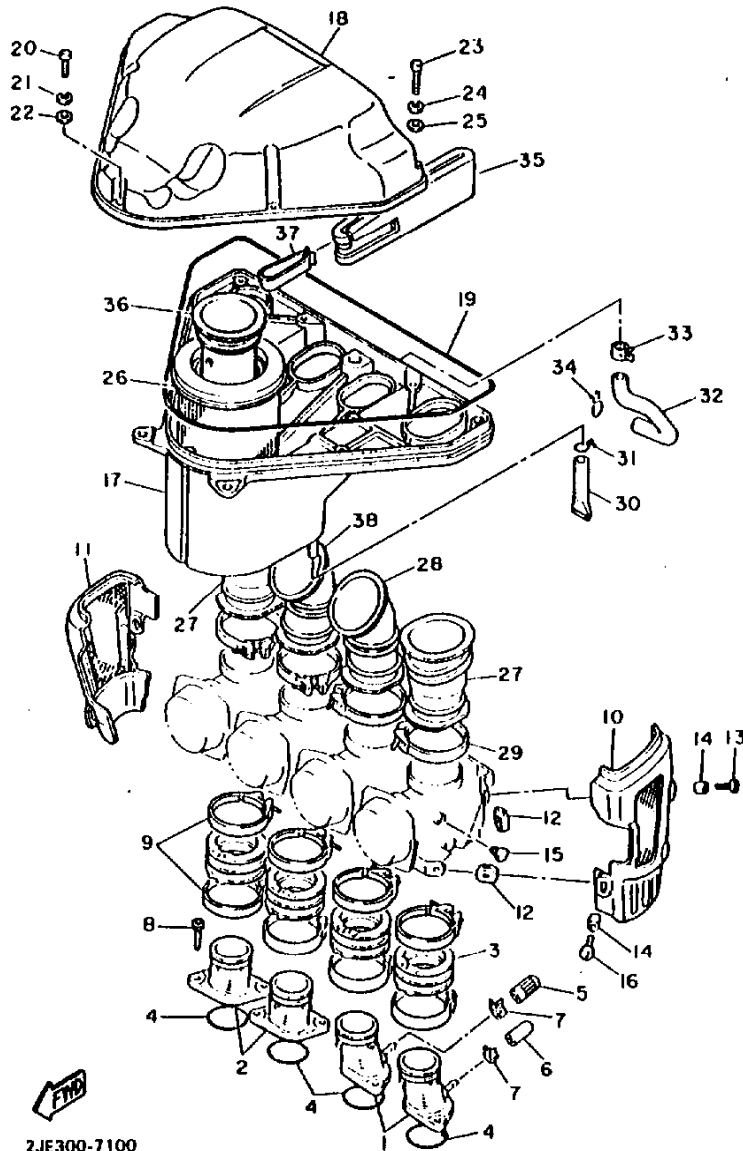


REF. NO.	PART NO.	DESCRIPTION	Q'TY	REMARKS
1	1AE-13447-00	COVER, oil element	1	
2	36Y-13340-00	BY-PASS VALVE ASSY	1	
3	93210-16629	O-RING	1	
4	93210-87723	O-RING	1	
5	90501-20422	SPRING, compression	1	
6	90201-21608	WASHER, Plate	1	
7	36Y-13441-00	ELEMENT, oil cleaner	1	
8	36Y-13490-00	RELIEF VALVE ASSY	1	
9	93210-15566	O-RING	1	
10	1AE-13417-00	COVER, strainer	1	
11	1AE-13414-00	GASKET, strainer cover	1	
12	95026-06030	BOLT, flange	12	
13	4X7-13455-00	PLUG	1	
14	98901-06008	SCREW, blind	1	
15	214-1119U-01	GASKET	1	



1FN310-5090

FIG. 10 INTAKE

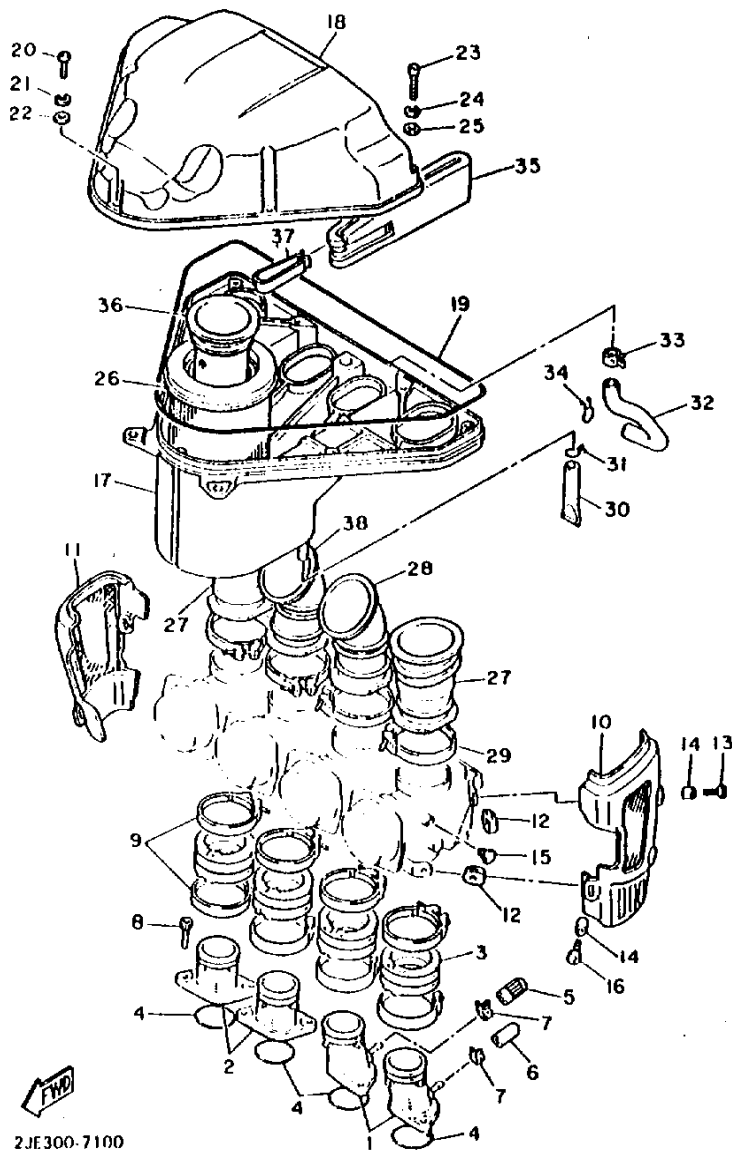


2JE300-7100

REF. NO.	PART NO.	DESCRIPTION	Q'TY	REMARKS
1	1AE-13586-02	JOINT, carburetor 1	2	#1,2
2	1AE-13596-02	JOINT, carburetor 2	2	#3,4
3	1AE-13597-00	JOINT, carburetor 3	4	
4	93210-40659	O-RING	4	
5	16G-13569-00	PLUG, blind	2	#2,#3
6	1AA-13569-00	PLUG, blind	2	#1,#4
7	90467-10039	CLIP	4	
8	91316-06020	BOLT	8	
9	1AE-13575-00	BAND	8	
10	1UF-14417-00	COVER 1	1	
11	1UF-14418-00	COVER 2	1	
12	1UF-13593-00	DAMPER	4	
13	90154-05001	SCREW, binding	2	
14	90387-07389	COLLAR	4	
15	1UF-16326-00	DAMPER, engine mount 2	2	
16	90154-05005	SCREW, binding	2	
17	1UF-14411-00	CASE, air cleaner 1	1	
18	1UF-14421-00	CASE, air cleaner 2	1	
19	1AE-14457-00	SEAL	1	
20	98501-05020	SCREW, Pan head	6	
21	92990-05100	WASHER, spring	5	
22	92901-05600	WASHER, Plate	5	
23	98501-05035	SCREW, Pan head	2	
24	92990-05100	WASHER, spring	2	
25	92901-05600	WASHER, Plate	2	
26	1UF-14451-00	ELEMENT, air cleaner	1	
27	1UF-14453-00	JOINT, air cleaner 1	2	#1,4
28	1UF-14454-00	JOINT	1	#2

FIG. 10 INTAKE

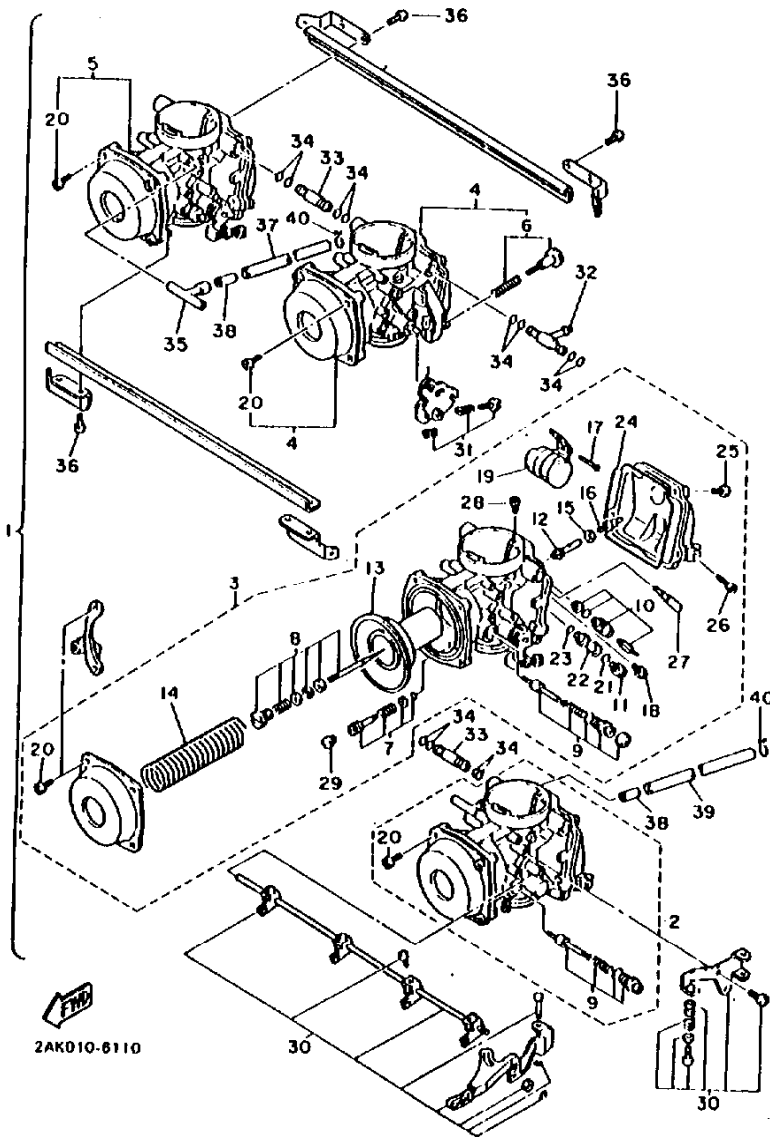
REF. NO.	PART NO.	DESCRIPTION	Q'TY	REMARKS
29	90460-5U204	CLAMP, hose	4	
30	34X-1443E-00	PIPE, drain	1	
31	90467-10008	CLIP	1	
32	1UF-11167-00	PIPE, breather 2	1	
33	90467-15054	CLIP	1	
34	90467-14015	CLIP	1	
35	2AK-1441F-00	PARTITION, air cleaner case	1	
36	2AK-14437-00	DUCT	1	
37	2AK-14487-00	SPRING	1	
38	1UF-14463-00	JOINT, air cleaner 2	1 #3	



2JE300-7100

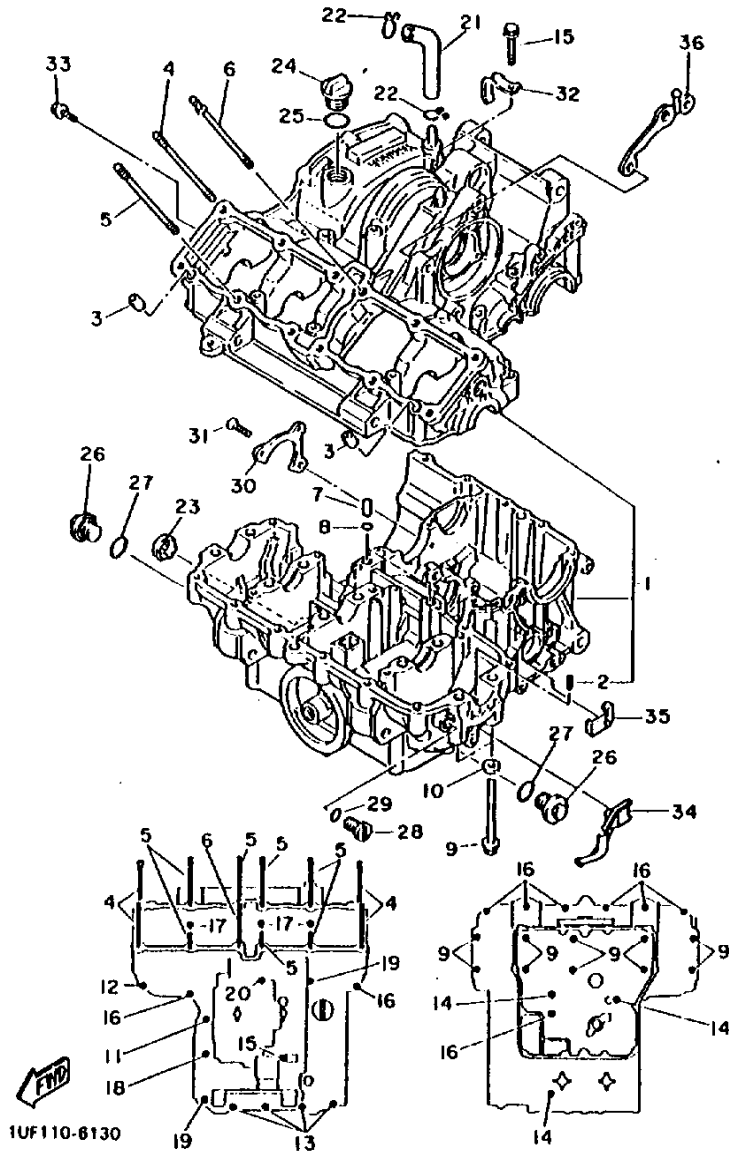
C2

FIG. 11 CARBURETOR



REF. NO.	PART NO.	DESCRIPTION	Q'TY	REMARKS
1	2AK-14900-00	CARBURETOR ASSY	1	
2	2AK-14901-00	•CARBURETOR ASSY 1	1	
3	2AK-14902-00	•CARBURETOR ASSY 2	1	
4	2AK-14903-00	•CARBURETOR ASSY 3	1	
5	2AK-14904-00	•CARBURETOR ASSY 4	1	
6	1AE-14103-00	••THROTTLE SCREW SET	1	
7	12R-14105-00	••PILOT SCREW SET	1	
8	1FN-1490J-00	••NEEDLE SET	1	
9	1AE-1410A-00	••STARTER SET	1	UR #1
	1FN-1410A-00	••STARTER SET	1	UR #2,3,4
10	1FN-14107-12	••NEEDLE VALVE SET	1	
11	620-1423A-89	••JET, main (# 92.5)	1	
12	1AE-14141-82	••NOZZLE, main	1	
13	1AE-14940-00	••DIAPHRAGM ASSY	1	
14	1AE-14933-00	••SPRING, diaPhraEm	1	
15	137-14153-00	••WASHER, main Jet	1	
16	1AE-14565-00	••SCREW	1	
17	353-14186-00	••PIN, float	1	
18	1FN-14566-00	••SCREW	1	
19	1AE-14985-00	••FLDAT	1	
20	98501-05010	••SCREW, Pan head	4	
21	1AE-14227-00	••WASHER	1	
22	1AE-14261-00	••HOLDER	1	
23	1AE-14237-00	••GASKET	1	
24	1FN-14147-00	••O-RING	1	
25	98503-04014	••SCREW, Pan head	4	
26	12R-14191-00	••PLUG, drain	1	
27	3H1-14142-15	••JET, Pilot (# 15)	1	

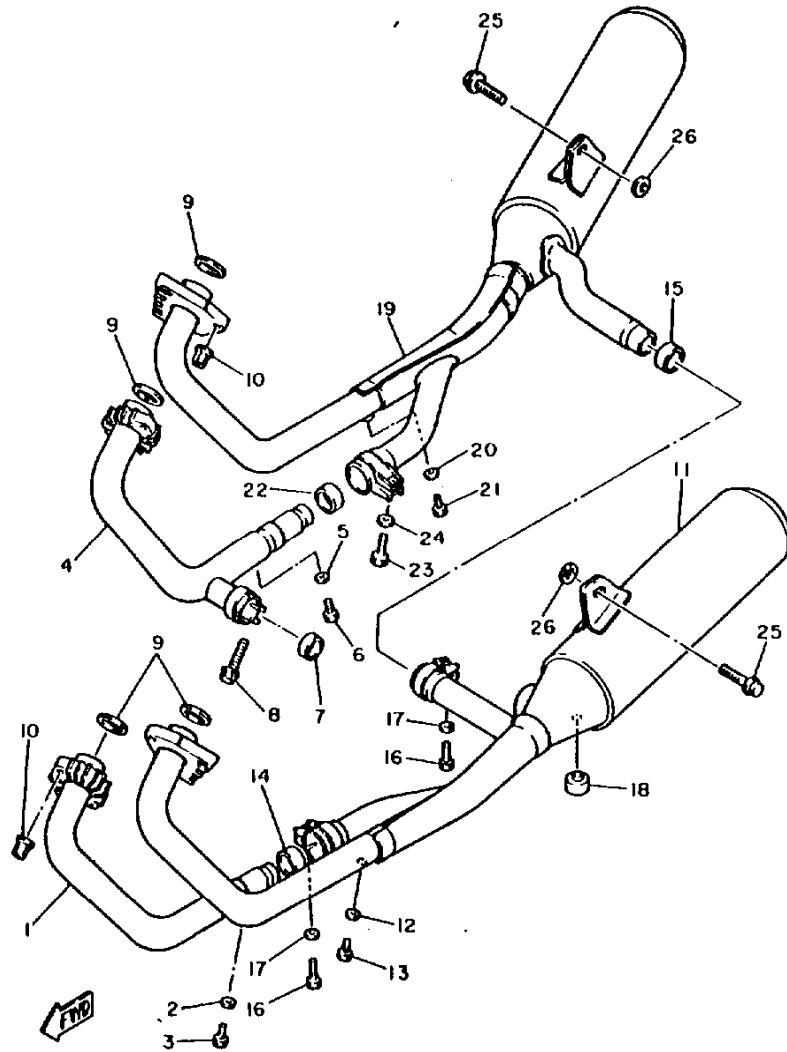
FIG. 13 CRANKCASE



1UF110-8130

REF. NO.	PART NO.	DESCRIPTION	Q'TY	REMARKS
29	93210-14369	O-RING	1	
30	1AE-15383-00	PLATE, bearing cover	1	
31	80151-06014	SCREW, countersunk	3	
32	90465-08280	CLAMP	1	
33	95026-06010	BOLT, flange	1	
34	90462-08157	CLAMP	1	
35	90465-08305	CLAMP	1	
36	1UF-15199-00	BRACKET	1	

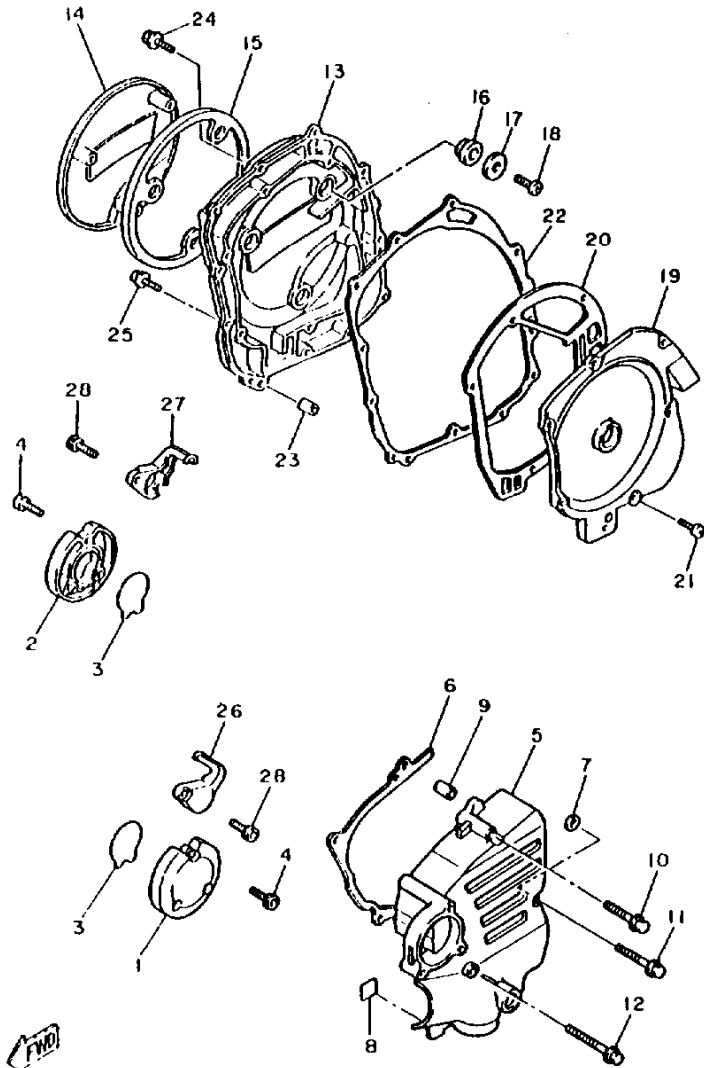
FIG. 12 EXHAUST



1UF110-6120

REF. NO.	PART NO.	DESCRIPTION	Q'TY	REMARKS
1	1UF-14621-00	PIPE, exhaust 2	1	
2	92990-06600	WASHER, Plate	1	
3	90101-06576	BOLT	1	
4	1UF-14631-00	PIPE, exhaust 3	1	
5	92990-06600	WASHER, Plate	1	
6	90101-06576	BOLT	1	
7	36R-14714-01	GASKET, muffler	1	
8	95811-08035	BOLT, flange	1	
9	4H7-14613-00	GASKET, exhaust Pipe	4	
10	90179-08499	NUT	8	
11	2JE-14703-00	MUFFLER COMP 1	1	
12	92990-06600	WASHER, Plate	1	
13	90101-06578	BOLT	1	
14	1JK-14714-00	GASKET, muffler	1	
15	1FK-14755-00	GASKET, silencer	1	
16	97311-08025	BOLT	2	
17	92901-08600	WASHER, Plate	2	
18	278-27114-00	STOPPER, main stand	1	
19	2JE-14704-00	MUFFLER COMP 2	1	
20	92990-06600	WASHER, Plate	1	
21	90101-06578	BOLT	1	
22	1JK-14714-00	GASKET, muffler	1	
23	97311-08025	BOLT	1	
24	92901-08600	WASHER, Plate	1	
25	90105-08428	BOLT, washer based	2	
26	90209-08249	WASHER	2	

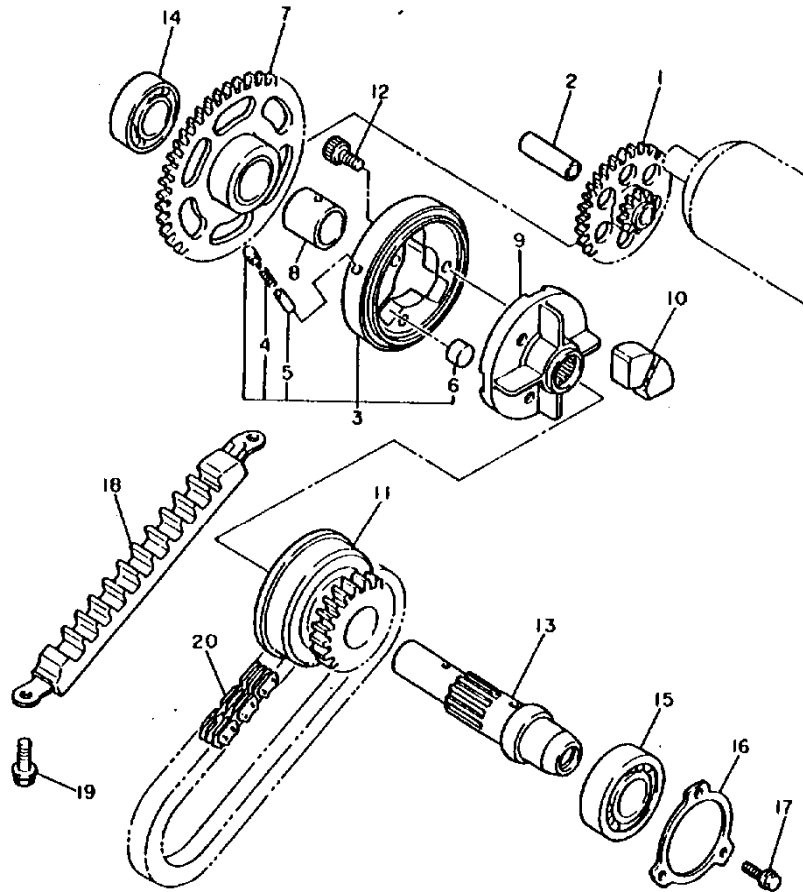
FIG. 14 CRANKCASE COVER 1



REF. NO.	PART NO.	DESCRIPTION	Q'TY	REMARKS
1	1UF-15416-00	COVER, oil Pump	1	
2	1UF-15426-00	COVER, oil Pump 2	1	
3	1AE-15456-00	GASKET, oil Pump cover 1	2	
4	90110-06124	BOLT, hexagon socket head	6	
5	1UF-15411-00	COVER, crankcase 1	1	
6	1UF-15451-00	GASKET, crankcase cover 1	1	
7	1UF-15467-00	GASKET	1	
8	1UF-15379-00	SEAL, crankcase	1	
9	91810-18013	PIN, dowel	2	
10	95026-06060	BOLT, flange	2	
11	95026-06070	BOLT, flange	1	
12	95026-06080	BOLT, flange	1	
13	2GH-15421-00	COVER, crankcase 2	1	
14	1UF-15417-00	COVER, cap	1	
15	1AE-15449-00	RING, rubber	1	
16	4H7-15486-00	GROMMET	3	
17	90209-06096	WASHER	3	
18	92501-06010	SCREW, Pan head	3	
19	1AE-15346-00	BREATHER 1	1	
20	1AE-15483-00	GASKET, carburetor cover 2	1	
21	92501-06020	SCREW, Pan head	6	
22	1AE-15481-00	GASKET, crankcase cover 2	1	
23	91810-18013	PIN, dowel	2	
24	95026-06030	BOLT, flange	2	
25	95026-06020	BOLT, flange	9	
26	1UF-15428-00	COVER	1	
27	1UF-15429-00	COVER 2	1	
28	90110-06121	BOLT, hexagon socket head	2	

1UF110-6140

FIG. 15 STARTER

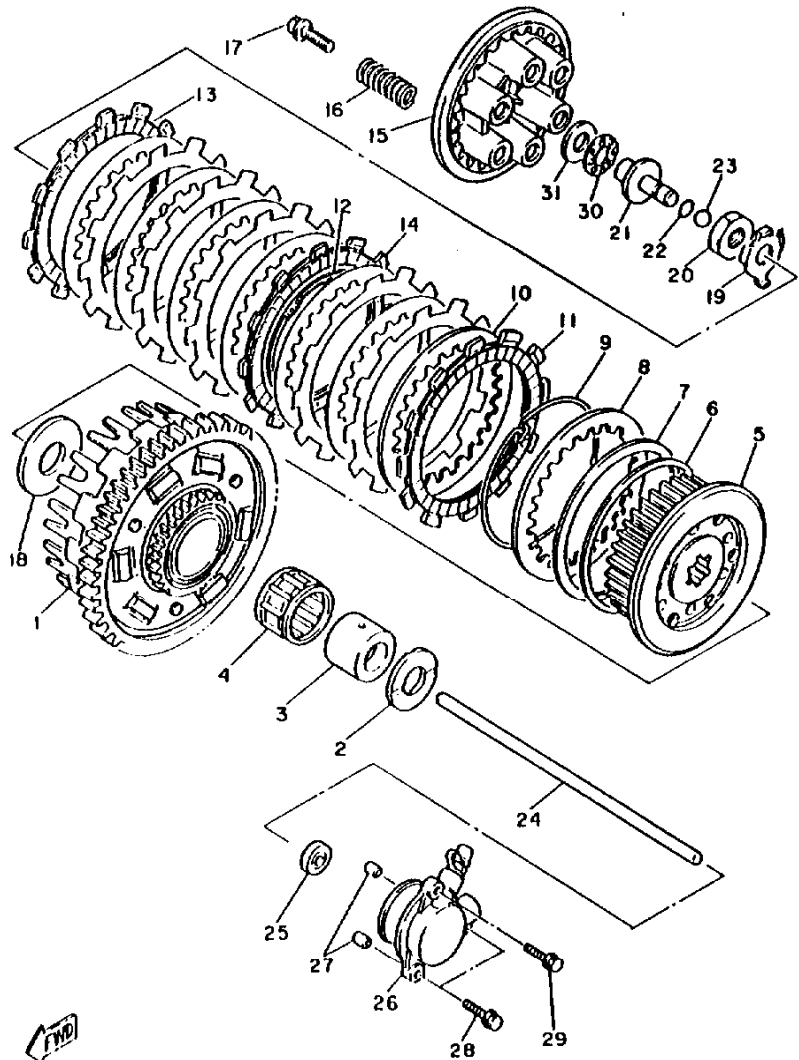


REF. NO.	PART NO.	DESCRIPTION	Q'TY	REMARKS
1	1AE-15512-00	GEAR, idler 1	1	
2	1AE-15521-00	SHAFT 1	1	
3	1AE-15580-01	STARTER CLUTCH OUTER ASSY	1	
4	90501-05764	•SPRING, compression	3	
5	1J7-15583-01	•CAP, starter clutch spring	3	
6	93603-09106	•PIN, dowel	3	
7	1AE-15517-00	GEAR, idler 2	1	
8	90387-202A7	COLLAR	1	
9	12R-15524-00	WHEEL, starter	1	
10	4H7-18155-01	ABSORBER 1	4	
11	36Y-15519-00	SPROCKET, starter 2	1	
12	91316-08014	BOLT	3	
13	1AE-15522-00	SHAFT 2	1	
14	93306-00421	BEARING	1	
15	93306-20541	BEARING (B6205)	1	
16	1AE-15381-00	PLATE, bearing cover	1	
17	95028-06016	BOLT, flange	3	
18	1AE-11474-00	GUIDE, upper	1	
19	95816-06014	BOLT, flange	2	
20	36Y-11456-00	CHAIN, Primary	1	



1FN310-5150

FIG. 16 CLUTCH



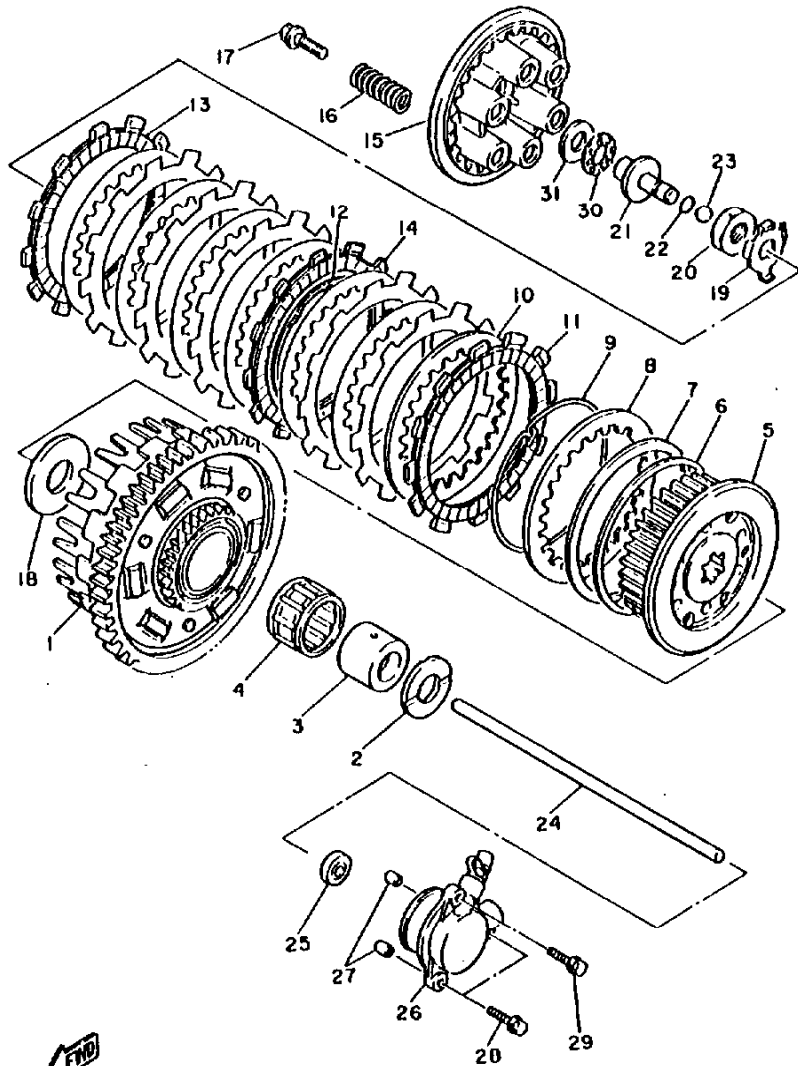
REF. NO.	PART NO.	DESCRIPTION	Q'TY	REMARKS
1	1TV-16150-01	PRIMARY DRIVEN GEAR COMP.	1	
2	1AE-16154-00	PLATE, thrust 1	1	
3	90560-25270	SPACER	1	
4	93310-340N8	BEARING, cylindrical	1	
6	1AE-16371-00	BOSS, clutch	1	
8	1J7-16384-00	PLATE, seat	1	
7	8Q2-16383-00	SPRING, clutch boss	1	
8	168-16324-00	PLATE, clutch 1	1	
9	1J7-16385-00	RING, clutch boss	1	
10	31A-16325-00	PLATE, clutch 2	7	
11	4H7-16321-00	PLATE, friction	6	
12	6Y1-16383-00	SPRING, clutch boss	1	
13	31A-16321-00	PLATE, friction	1	
14	6Y1-16331-01	PLATE, friction 2	1	
15	58L-16351-00	PLATE, Pressure 1	1	
16	90501-225A9	SPRING, compression	8	
17	90159-06123	SCREW, with washer	6	
18	1AE-16164-00	PLATE, thrust 2	1	
19	90216-20231	WASHER, lock	1	
20	90170-20327	NUT	1	
21	1LJ-16356-00	ROD, Push 1	1	
22	93210-06832	O-RING	1	
23	93511-32027	BALL	1	
24	1AE-16357-00	ROD, Push 2	1	
25	371-15389-00	SEAL, Push rod	1	
26	1TV-16381-00	PUSH LEVER COMP.	1	
27	91810-18013	PIN, dowel	2	
28	95026-08030	BOLT, flange	2	



2M1 1/1-7160

C10

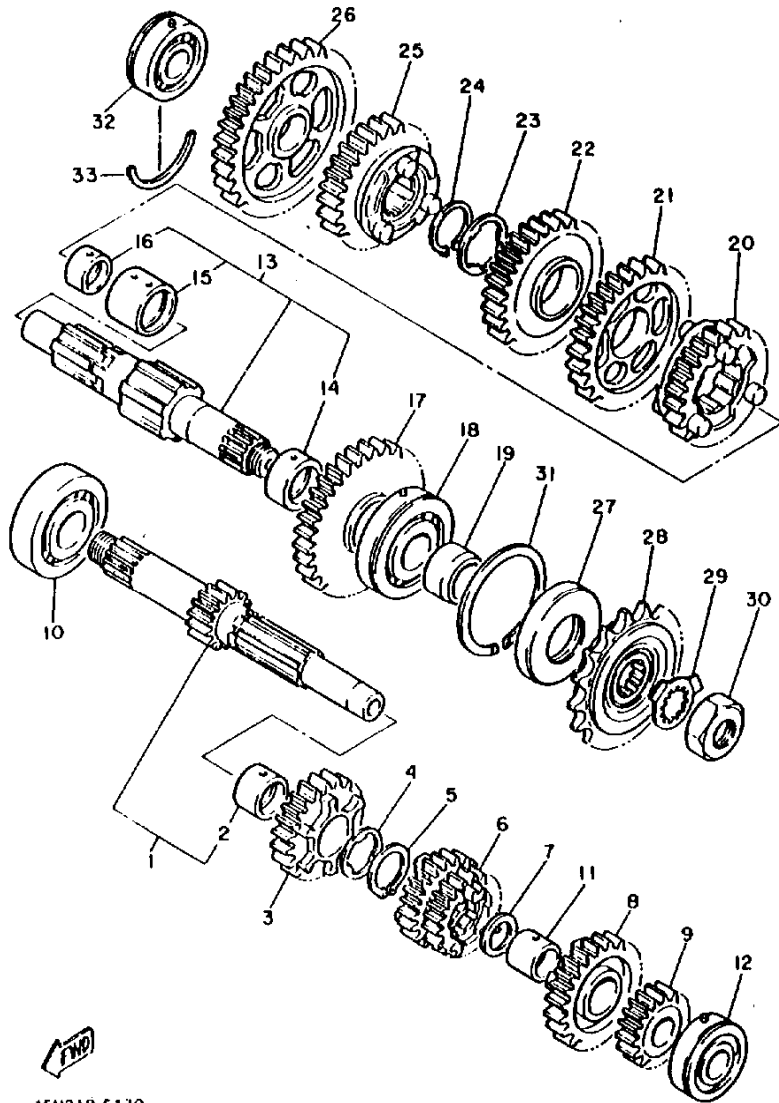
FIG. 16 CLUTCH



REF. NO.	PART NO.	DESCRIPTION	Q'TY	REMARKS
29	95026-06090	BDLT, flange	1	
30	93340-21505	BEARING	1	
31	90201-150H2	WASHER, Plate	1	

FMD
2MF171-7160

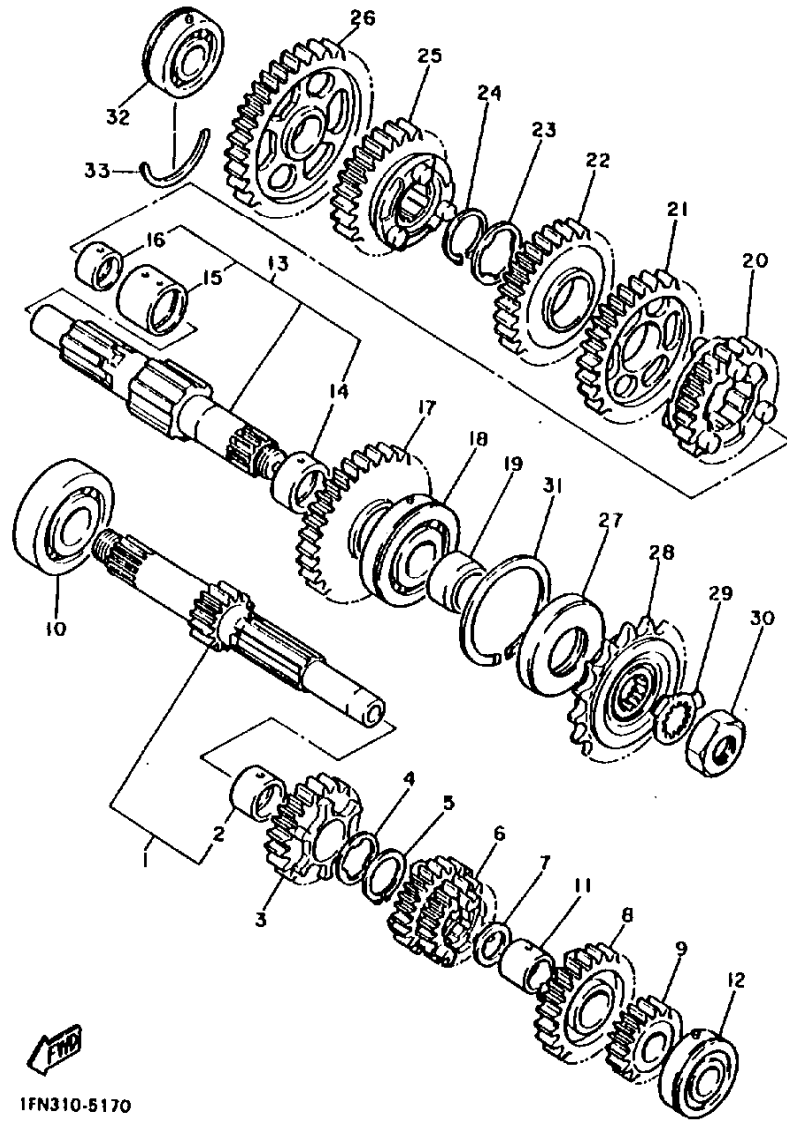
FIG. 17 TRANSMISSION



REF. NO.	PART NO.	DESCRIPTION	Q'TY	REMARKS
1	1AE-W1741-00	MAIN AXLE ASSY (13T)	1	
2	90387-253M8	.COLLAR	1	
3	1AE-17151-00	GEAR, 5th Pinion (22T)	1	
4	90209-22191	WASHER	1	
5	93440-25084	CIRCLIP	1	
6	1AE-17131-00	GEAR, 3rd/4th Pinion (18/20T)	1	
7	90201-200K3	WASHER, Plate	1	
8	1AE-17161-01	GEAR, 8th Pinion (24T)	1	
9	1AE-17121-00	GEAR, 2nd Pinion (16T)	1	
10	93306-30525	BEARING (B6305)	1	
11	90387-203M7	COLLAR	1	
12	93306-20455	BEARING	1	
13	1AE-W1742-00	DRIVE AXLE ASSY	1	
14	90387-263M8	.COLLAR	1	
15	90387-204M0	.COLLAR	1	
16	90387-204M1	.COLLAR	1	
17	1AE-17221-01	GEAR, 2nd wheel (35T)	1	
18	93306-30546	BEARING (B6305A5 SPECIAL)	1	
19	90387-253M9	COLLAR	1	
20	1FM-17281-00	GEAR, 6th wheel (27T)	1	
21	1AE-17231-00	GEAR, 3rd wheel (32T)	1	
22	1AE-17241-00	GEAR, 4th wheel (30T)	1	
23	90209-25196	WASHER	1	
24	93440-28062	CIRCLIP	1	
25	1AE-17251-00	GEAR, 5th wheel (28T)	1	
26	1FM-17211-00	GEAR, 1st wheel (38T)	1	
27	93102-35109	OIL SEAL	1	
28	1AE-17461-70	SPROCKET, drive (17T)	1	

1FN310-5170

FIG. 17 TRANSMISSION

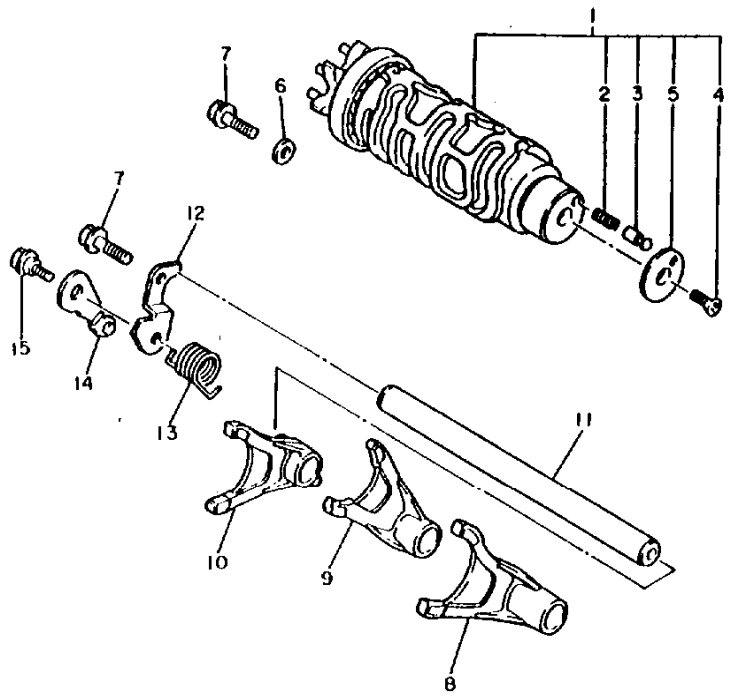


REF. NO.	PART NO.	DESCRIPTION	Q'TY	REMARKS
29	90215-21022	WASHER, lock	1	
30	90179-18020	NUT	1	
31	278-17424-01	CIRCLIP	1	
32	93306-20455	BEARING	1	
33	93440-45144	CIRCLIP	1	



1FN310-5170

FIG. 18 SHIFT CAM, FORK



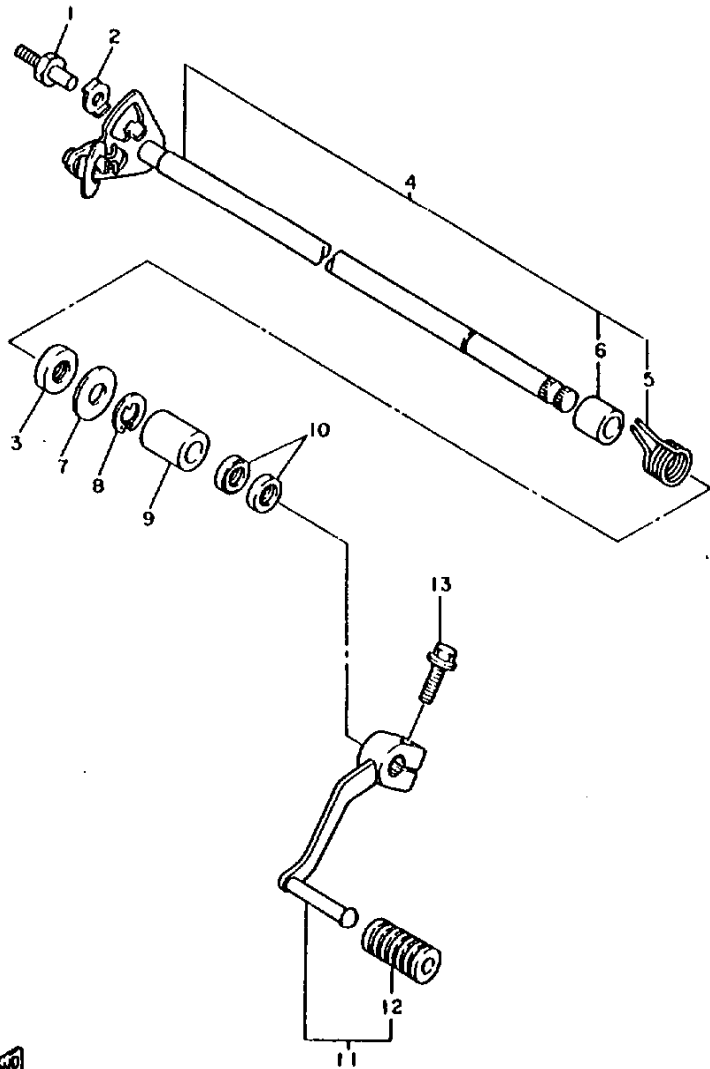
REF. NO.	PART NO.	DESCRIPTION	Q'TY	REMARKS
1	1AE-18540-01	SHIFT CAM ASSY	1	
2	90501-06022	•SPRING, compression	1	
3	278-18542-00	•POINT, neutral	1	
4	98701-05012	•SCREW, flat head	1	
5	278-18566-00	•PLATE, side 2	1	
6	90201-06643	WASHER, Plate	1	
7	95822-06016	BOLT, flange	2	
8	1AE-18511-00	FORK, shift 1	1	
9	1AE-18512-00	FORK, shift 2	1	
10	1AE-18513-00	FORK, shift 3	1	
11	12R-18531-00	BAR, shift fork Guide 1	1	
12	1AE-18538-00	STOPPER, shift bar	1	
13	90508-26881	SPRING, torsion	1	
14	36Y-18140-00	STOPPER LEVER ASSY	1	
15	90109-065A9	BOLT	1	



1FN310-5180

C14

FIG. 19 SHIFT SHAFT



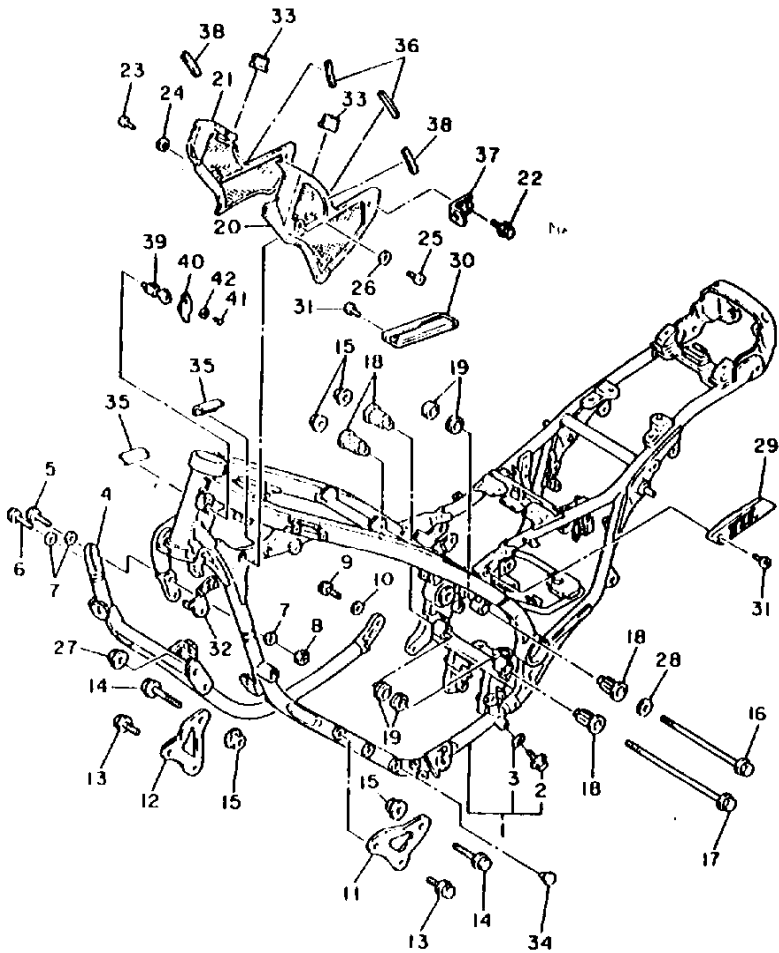
REF. NO.	PART NO.	DESCRIPTION	Q'TY	REMARKS
1	460-18127-00	STOPPER, screw	1	
2	90215-08115	WASHER, lock	1	
3	93102-12106	OIL SEAL	1	
4	1UF-18101-00	SHIFT SHAFT ASSY	1	
5	90508-32682	SPRING, torsion	1	
6	90387-114K8	COLLAR	1	
7	90201-12575	WASHER, Plate	1	
8	99001-10600	CIRCLIP	1	
9	90387-125M1	COLLAR	1	
10	93109-12053	OIL SEAL	2	
11	1UF-18110-00	SHIFT PEDAL ASSY	1	
12	132-18113-01	COVER, shift Pedal	1	
13	97313-06020	BOLT	1	



1UF110-8190

C15

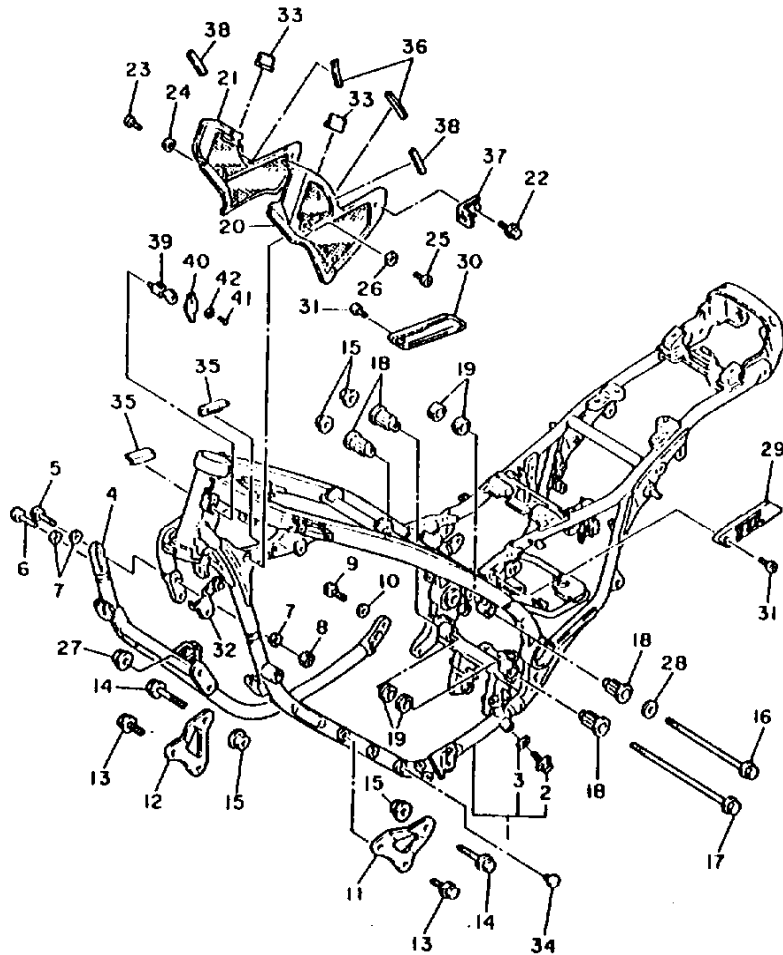
FIG. 20 FRAME



REF. NO.	PART NO.	DESCRIPTION	Q'TY	REMARKS
1	2JE-21110-00-33	FRAME COMP.	1	yamaha black
2	97311-06008	.BOLT	1	
3	90430-06014	.GASKET	1	
4	1UF-21140-00-33	DOWN TUBE COMP.	1	yamaha black
5	91316-08030	BOLT	1	
6	91316-08035	BOLT	1	
7	90201-086J0	WASHER, Plate	3	
8	95616-08100	NUT, u	2	
9	97316-08020	BOLT	1	
10	92906-08600	WASHER, Plate	1	
11	1UF-21315-00	STAY, engine 2	1	
12	1UF-21316-00	STAY, engine 3	1	
13	95816-08016	BOLT, flange	4	
14	90105-10423	BOLT, washer based	2	
15	90179-10321	NUT	4	
16	90105-10416	BOLT, washer based	1	
17	90105-10407	BOLT, washer based	1	
18	1UF-2139X-00	DAMPER	4	
19	1UF-2139U-00	DAMPER 2	4	
20	2AK-2135F-00	COVER	1	
21	2AK-2139R-00	COVER 2	1	
22	95826-06012	BOLT, flange	1	
23	92508-06020	SCREW, Pan head	2	
24	92906-06600	WASHER, Plate	2	
25	92508-06012	SCREW, Pan head	1	
26	92906-06600	WASHER, Plate	1	
27	90179-08246	NUT	2	
28	90201-102J5	WASHER, Plate	1	

2JE300-7200

FIG. 20 FRAME



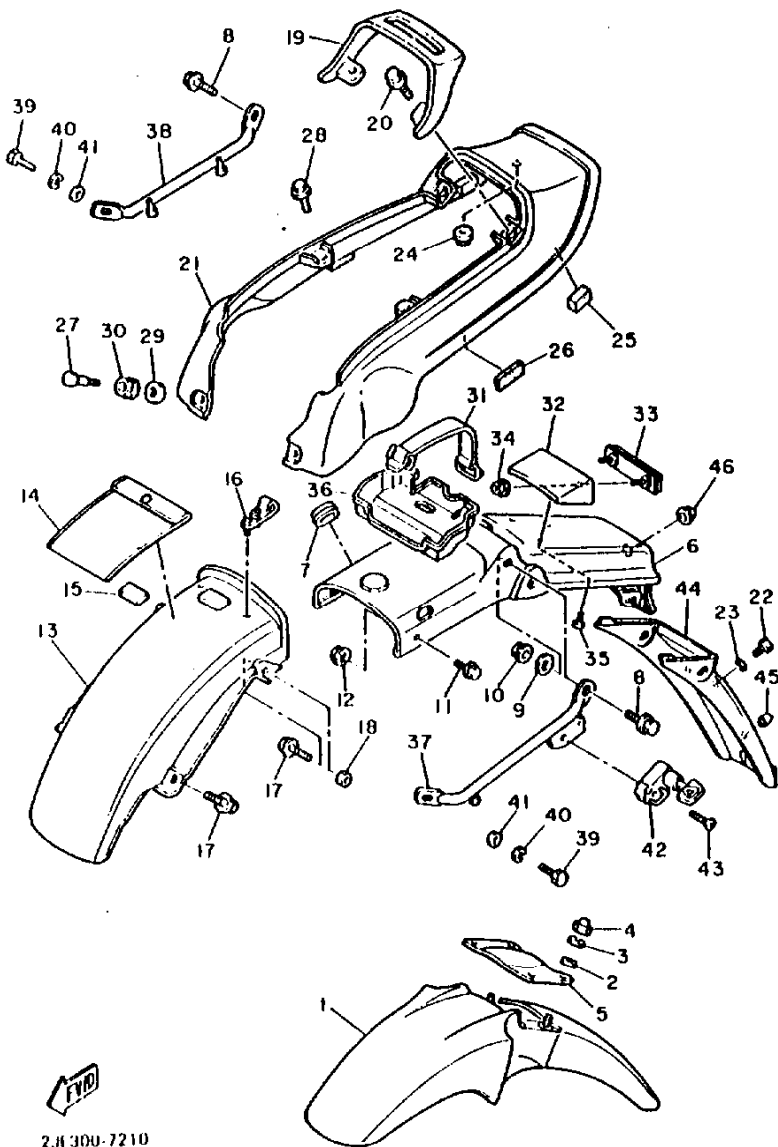
REF. NO.	PART NO.	DESCRIPTION	Q'TY	REMARKS
29	2AK-2117M-00	COVER 2	1	
30	2AK-2117N-00	COVER 3	1	
31	98906-05012	SCREW, bind	2	
32	1UF-2141A-00	BRACKET 1	1	
33	90480-16185	GROMMET	2	
34	90338-07124	PLUG	2	
35	30X-2139X-00	DAMPER	2	
36	50W-2639G-00	SEAL	2	
37	2JE-2317E-00	STAY	1	
38	J44-78248-00	SEAL 4	2	
39	*	BODY & KEY, steering lock	1	LM
40	134-23484-10	CAP, handle lock	1	
41	90269-04003	RIVET	1	
42	90208-04029	WASHER, conical spring	1	



2JE300-7200

FIG. 21 FENDER

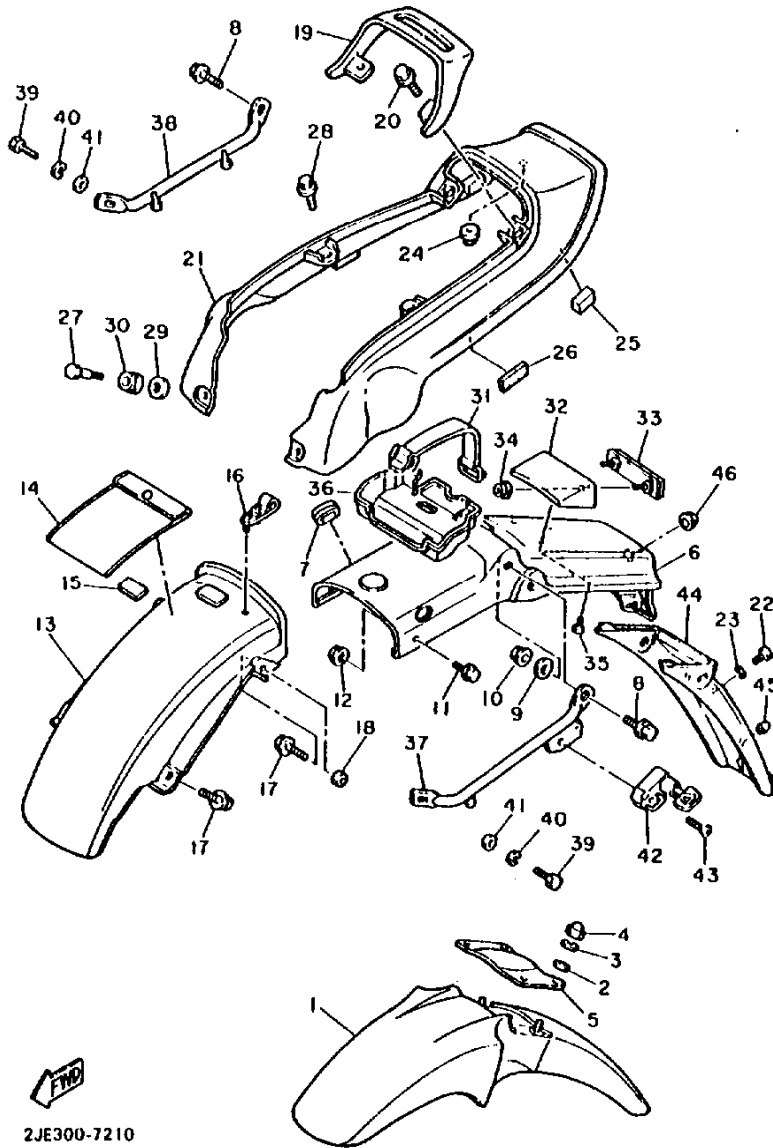
REF. NO.	PART NO.	DESCRIPTION	Q'TY	REMARKS
1	1UF-21510-00-LG	FRONT FENDER COMP.	1	apple red
2	92990-06200	WASHER, Plain	4	
3	92990-06100	WASHER, sPrinE	4	
4	95303-06800	NUT, crown	4	
5	1UF-2313A-00	BRACE, fork	1	
6	2JE-21810-00-93	REAR FENDER COMP.	1	chrome-Plated
7	90480-15081	GROMMET	2	
8	95826-08025	BOLT, flange	2	
9	90201-08748	WASHER, Plate	2	
10	90179-08246	NUT	2	
11	95808-06010	BOLT, flange	2	
12	95706-06500	NUT, flange	2	
13	1UF-21629-00	GUARD, mud	1	
14	4K5-28186-00	POUCH	1	
15	4K5-2814E-10	HOOK	2	
16	90464-12027	CLAMP	2	
17	90119-06108	BOLT, with washer	4	
18	95308-06800	NUT	2	
19	1UF-21645-01	STAY, rear	1	
20	95821-10025	BOLT, flange	2	
21	1UF-21851-00-LG	COVER, rear fender	1	apple red
22	97006-06012	BOLT	2	
23	92906-08100	WASHER, sPrinE	2	
24	3L7-24724-00	DAMPER, seat	1	
25	1AE-2837J-00	DAMPER S	2	
26	8U9-77162-00	STRIP, weather 2	2	
27	90109-06386	BOLT	2	
28	90119-06056	BOLT, with washer	2	



2.H 300-7210

D4

FIG. 21 FENDER

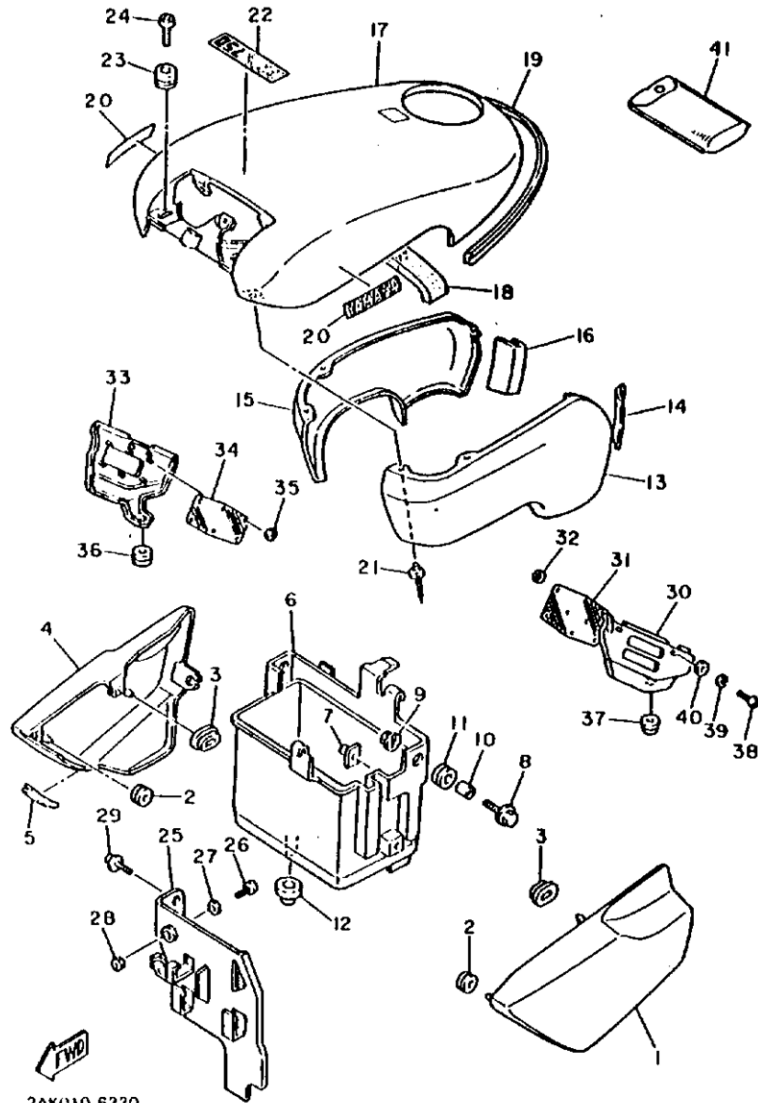


REF. NO.	PART NO.	DESCRIPTION	Q'TY	REMARKS
29	90201-064J1	WASHER, Plate	2	
30	90480-13398	GROMMET	2	
31	18G-82131-00	BAND, battery	1	
32	1UF-2163A-00	COVER, rear fender 1	1	
33	2AK-2163G-00	EMBLEM 1	1	
34	95701-05500	NUT, flange	2	
35	97702-40608	SCREW, lapping	3	
36	1UF-21653-00	BOX	1	
37	1UF-21165-00	HANDLE, standing	1	
38	1UF-21275-00	HANDLE, standing 2	1	
39	97006-08020	BOLT	2	
40	92908-08100	WASHER, spring	2	
41	92906-08600	WASHER, Plate	2	
42	26H-21308-00	HELMET HANGER ASSY	1	
43	90148-06150	SCREW	1	
44	2JE-21691-00	FLAP	1	
45	4G0-21639-00	DAMPER 2	1	
46	90480-13175	GROMMET	1	


2JE300-7210

D5

FIG. 22 SIDE COVER

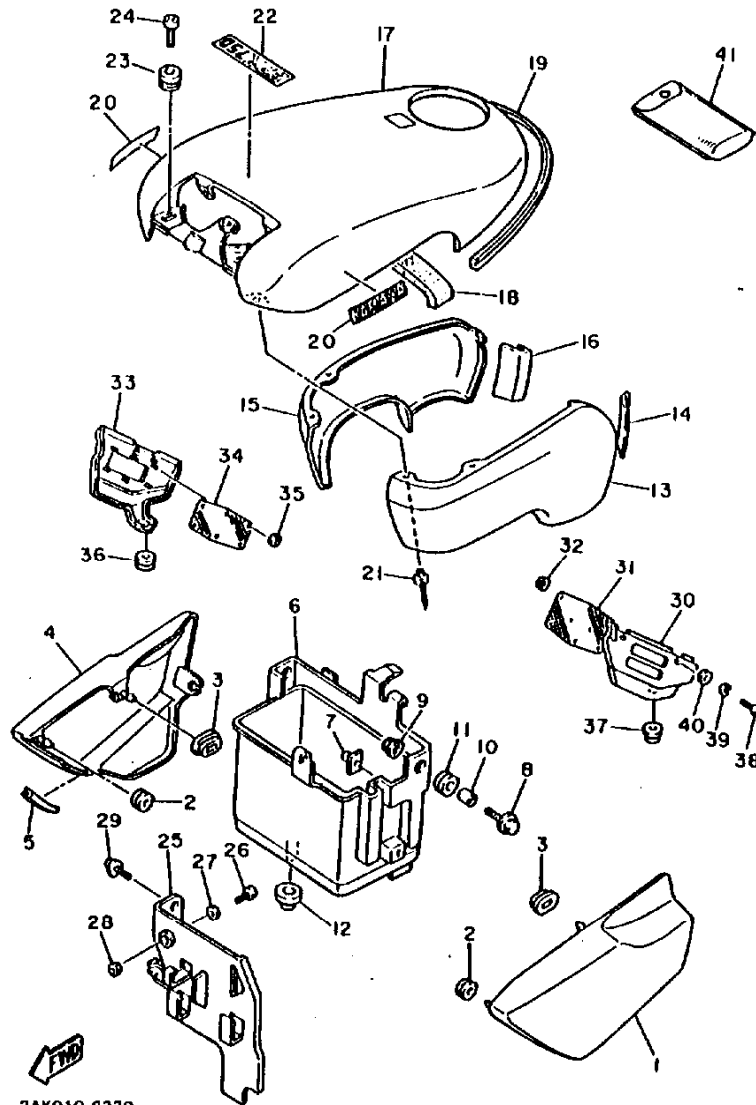


2AK010-6220

REF. NO.	PART NO.	DESCRIPTION	Q'TY	REMARKS
1	IUF-21711-00-LG	COVER, side 1	1	apple red
2	90480-14052	GROMMET	2	
3	90480-01141	GROMMET	2	
4	IUF-21721-00-LG	COVER, side 2	1	apple red
5	1VJ-21747-00	DAMPER	1	
6	36Y-21245-00	BOX	1	
7	31A-14477-00	PLATE	1	
8	90119-06097	BOLT, with washer	2	
9	95701-06500	NUT, flange	2	
10	90387-060A7	COLLAR	2	
11	90480-16233	GROMMET	2	
12	90480-23192	GROMMET	1	
13	IUF-21731-00	COVER, side 3	1	
14	IUF-2171L-00	MOLE, side cover 1	1	
15	IUF-21741-00	COVER, side 4	1	
16	IUF-2171M-00	MOLE, side cover 2	1	
17	IUF-2171A-00-8G	COVER, top	1	new yamaha black
18	IUF-21778-00	DAMPER, location 1	1	
19	IUF-2171N-00	MOLE, side cover 3	1	
20	IUF-28338-00	EMBLEM	2	
21	90267-32091	RIVET, blind	6	
22	2AK-21781-00	EMBLEM 1	1	
23	90480-14450	GROMMET	2	
24	90149-06184	SCREW	2	
25	IUF-21243-00	PLATE, bridge	1	
26	92502-06018	SCREW, Pan head	1	
27	92990-06600	WASHER, Plate	1	
28	95303-06700	NUT	1	

D6

FIG. 22 SIDE COVER

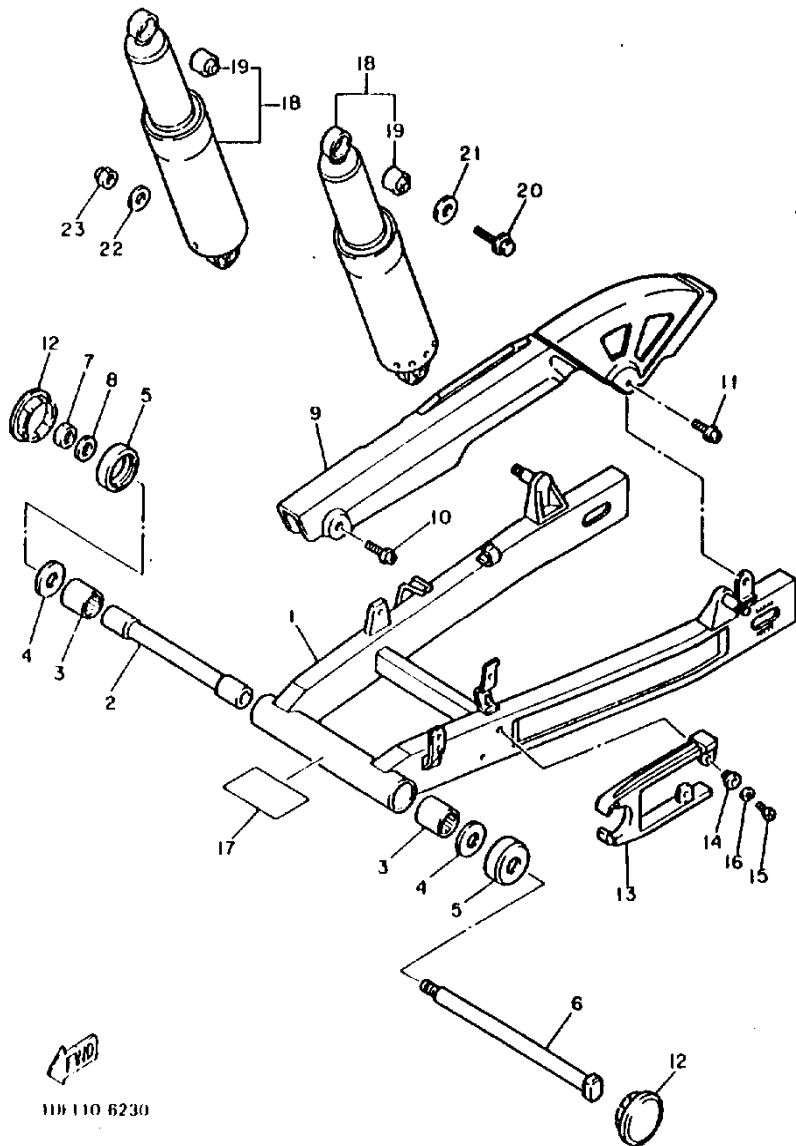


ZAK010-8220

REF. NO.	PART NO.	DESCRIPTION	Q'TY	REMARKS
29	90159-06093	SCREW, with washer	1	
30	1UF-2172A-00	PANEL 1	1	
31	1UF-2172G-00	PANEL 2	1	
32	90209-03274	WASHER	8	
33	1UF-2172F-00	PANEL 2	1	
34	1UF-2172H-00	PANEL 1	1	
35	90209-03274	WASHER	6	
36	90480-18418	GROMMET	1	
37	90480-11224	GROMMET	1	
38	92506-06016	SCREW, Pan head	2	
39	92906-06100	WASHER, Spring	2	
40	92906-06600	WASHER, Plate	2	
41	1UF-28100-00	TOOL KIT	1	

D7

FIG. 23 REAR ARM. SUSPENSION

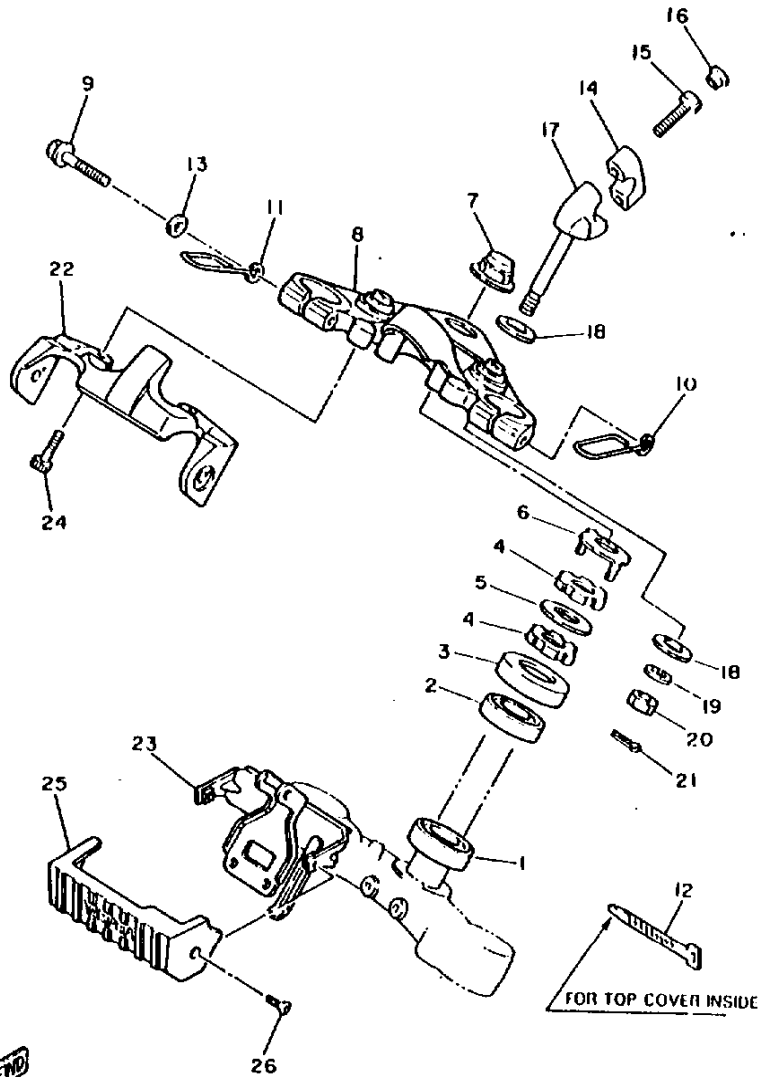


110 110 6230

REF. NO.	PART NO.	DESCRIPTION	Q'TY	REMARKS
1	2JE-22110-00-35	REAR ARM COMP.	1	silver
2	36Y-22184-00	BUSH	1	
3	93317-42550	BEARING, cylindrical	2	
4	36Y-22127-00	SHIM	2	
5	36Y-22128-00	COVER, thrust 1	2	
6	1UF-22141-00	SHAFT, Pivot	1	
7	90185-14070	NUT, self-locking	1	
8	90201-14222	WASHER, Plate	1	
9	1UF-22310-00	CHAIN CASE ASSY	1	
10	90159-06128	SCREW, with washer	1	
11	90159-06084	SCREW, with washer	1	
12	1UF-2219X-00	COVER	2	
13	1UF-22151-00	SEAL, Guard	1	
14	90387-06681	COLLAR	2	
15	92501-06014	SCREW, Pan head	2	
16	92990-08100	WASHER, Spring	2	
17	1JK-21735-00	SEAL 2	1	
18	1UF-22210-00	SHOCK ABSORBER ASSY, rear	2	
19	1UF-22216-00	BUSH, rear shock absorber	2	
20	95023-08016	BOLT, flange	2	
21	90201-084K3	WASHER, Plate	2	
22	90201-100A1	WASHER, Plate	2	
23	90176-10013	NUT, crown	2	

D8

FIG. 24 . STEERING



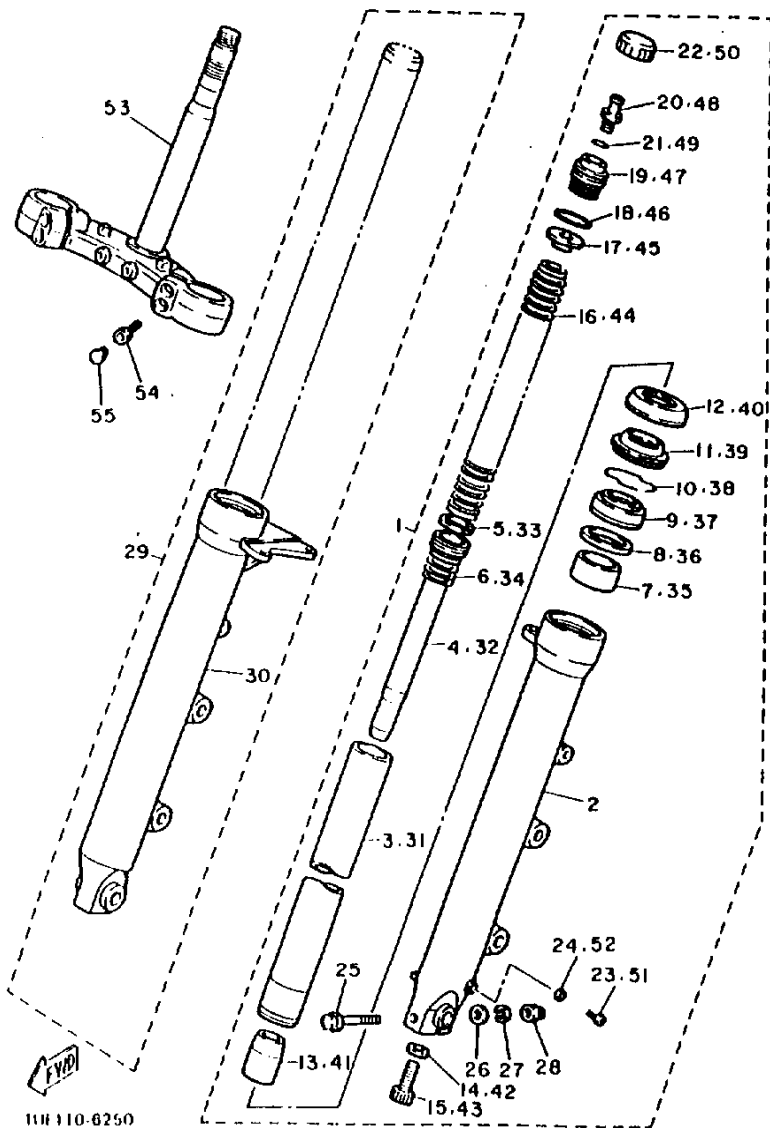
REF. NO.	PART NO.	DESCRIPTION	Q'TY	REMARKS
1	93332-00008	BEARING	1	
2	93332-00023	BEARING	1	
3	1J7-23415-00	COVER, ball race 1	1	
4	90179-25033	NUT	2	
6	90202-26142	WASHER, Plate	1	
6	26H-23418-01	WASHER, sPecial	1	
7	90176-22050	NUT, crown	1	
8	1UF-W2341-00-38	CROWN, handle	1	clear buffing
9	95023-08050	BOLT, flange	2	
10	42X-23317-00	HOLDER, cable	1	
11	1UF-23317-00	HOLDER, cable	1	
12	437-83936-00	BAND, switch cord	1	
13	92990-08600	WASHER, Plate	2	
14	4H7-23441-00-38	HOLDER, handle upper	2	clear buffing
15	91311-08030	BOLT	4	
16	90338-08183	PLUG	4	
17	42X-23442-00-38	HOLDER, handle lower	2	clear buffing
18	90201-100A1	WASHER, Plate	4	
19	92901-10100	WASHER, sPring	2	
20	95301-10700	NUT	2	
21	90468-12008	CLIP	2	
22	1UF-23174-00-38	STAY, headlight	1	clear buffing
23	1UF-2331A-00	STAY	1	
24	91316-08025	BOLT	2	
25	1UF-23122-01	COVER, outer 1	1	
26	98606-05012	SCREW, oval head	2	



1UF110-8240

D9

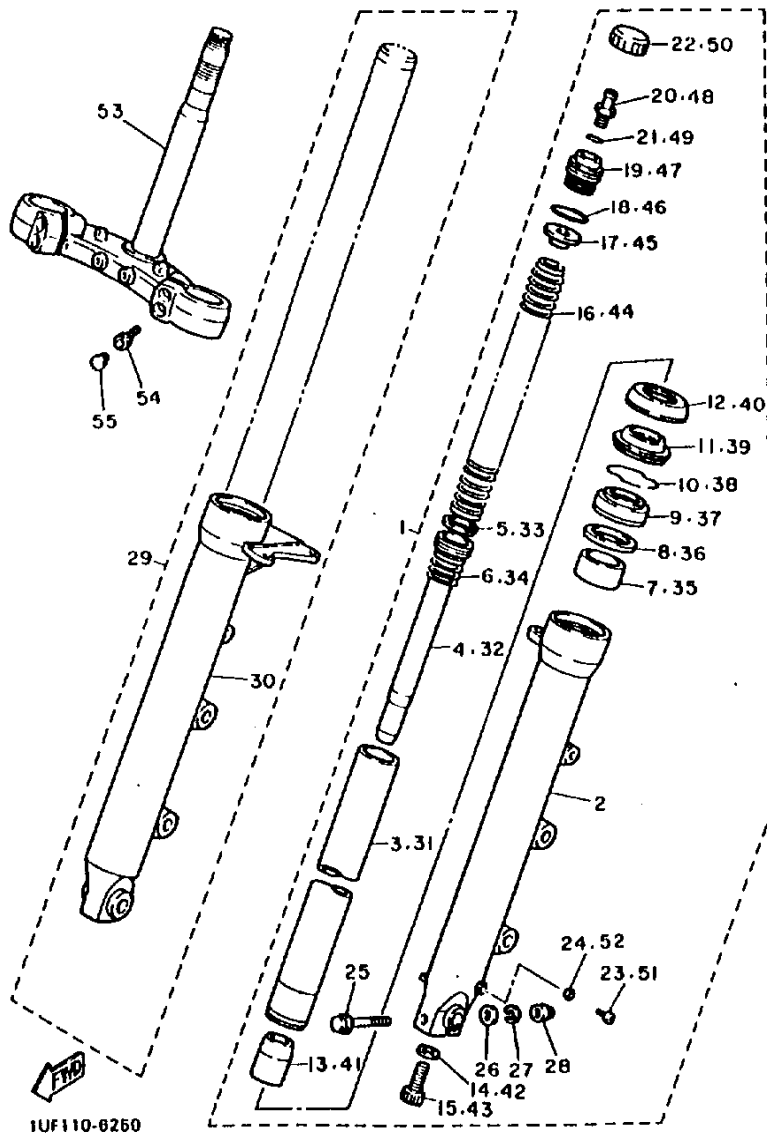
FIG. 25 FRONT FORK



REF. NO.	PART NO.	DESCRIPTION	Q'TY	REMARKS
1	IUF-23102-00	FRONT FORK ASSY (L.H)	1	
2	IUF-23126-00	.TUBE, outer 1	1	
3	IUF-23110-00	.INNER TUBE COMP.1	1	
4	IUF-23171-00	.PISTON, front fork	1	
5	IUF-23157-00	.RING, Piston	1	
6	IUF-23151-00	.SPRING, rebound	1	
7	IUF-23125-00	.METAL, slide 1	1	
8	IUF-23116-00	.GUIDE, cover upper	1	
9	93110-38020	.OIL SEAL	1	
10	IUF-23158-00	.CLIP, oil seal	1	
11	IUF-23144-00	.SEAL, dust	1	
12	IUF-23148-00	.COVER, dust seal	1	
13	IGU-23173-00	.SPINDLE, taper	1	
14	90430-08155	.GASKET	1	
15	91311-08025	.BOLT	1	
16	IUF-23141-00	.SPRING, front fork	1	
17	IUF-23142-00	.SEAT, spring upper	1	
18	93210-27732	.O-RING	1	
19	IUF-23111-00	.BOLT, cap	1	
20	IUF-23190-00	.AIR VALVE COMP.	1	
21	93210-06632	.O-RING	1	
22	IUF-23190-00	.CAP	1	
23	98501-04006	.SCREW, Pan head	1	
24	508-23129-00	.GASKET, drain Plug	1	
25	95023-08060	.BOLT, flange	1	
26	92990-08600	.WASHER, Plate	1	
27	92990-08100	.WASHER, spring	1	
28	95303-08800	.NUT, crown	1	



FIG. 25 FRONT FORK

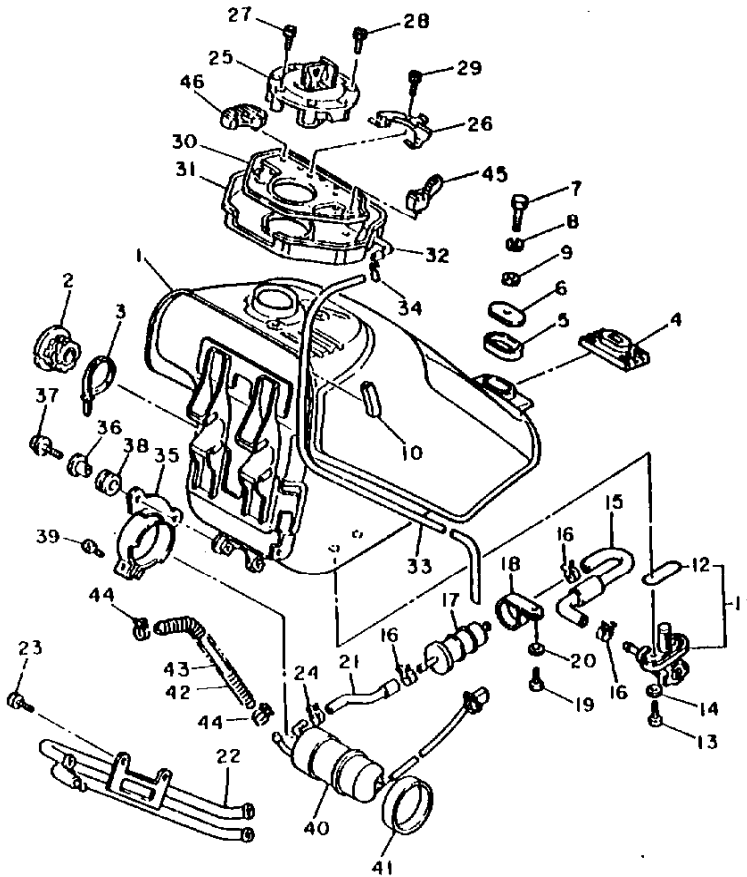


REF. NO.	PART NO.	DESCRIPTION	Q'TY	REMARKS
29	IUF-23103-00	FRONT FORK ASSY (R.H)	1	
30	IUF-23136-00	.TUBE, outer 2	1	
31	IUF-23110-00	.INNER TUBE COMP.1	1	
32	IUF-23171-00	.PISTON, front fork	1	
33	IUF-23157-00	.RING, Piston	1	
34	IUF-23151-00	.SPRING, rebound	1	
35	IUF-23125-00	.METAL, slide 1	1	
36	IUF-23115-00	.GUIDE, cover upper	1	
37	93110-38020	.OIL SEAL	1	
38	IUF-23156-00	.CLIP, oil seal	1	
39	IUF-23144-00	.SEAL, dust	1	
40	IUF-23148-00	.COVER, dust seal	1	
41	IGU-23173-00	.SPINDLE, taper	1	
42	80430-08155	.GASKET	1	
43	91311-08025	.BOLT	1	
44	IUF-23141-00	.SPRING, front fork	1	
45	IUF-23142-00	.SEAT, spring upper	1	
46	93210-27732	.O-RING	1	
47	IUF-23111-00	.BOLT, cap	1	
48	IUF-23190-00	.AIR VALVE COMP.	1	
49	93210-08632	.O-RING	1	
50	IUF-2319U-00	.CAP	1	
51	98501-04006	.SCREW, Pan head	1	
52	5U8-23129-00	.GASKET, drain plug	1	
53	2JE-23340-00	UNDER BRACKET COMP.	1	
54	91311-08025	BOLT	4	
55	90338-08163	PLUG	4	

D11

FIG. 26 FUEL TANK

REF. NO.	PART NO.	DESCRIPTION	Q'TY	REMARKS
1	1UF-24110-00-LG	FUEL TANK COMP.	1	apple red
2	1UF-24181-00	DAMPER, locatin# 1	2	
3	6Y9-12491-00	CLAMP 1	2	
4	1UF-24183-00	DAMPER, locatin# 3	1	
5	3Y6-24183-00	DAMPER, locatin# 3	1	
6	36Y-24186-00	WASHER, sPecial	1	
7	97313-06035	BOLT	1	
8	92990-06100	WASHER, sPrin#	1	
9	92990-06600	WASHER, Plate	1	
10	1JK-21268-00	SEAL	1	
11	26H-24500-00	FUEL COCK ASSY 1	1	
12	214-24512-00	.GASKET	1	
13	90149-06011	SCREW	2	
14	90202-06010	WASHER, Plate	2	
15	1UF-24311-00	PIPE, fuel 1	1	
16	90467-11044	CLIP	3	
17	1FK-24560-00	FILTER ASSY	1	
18	1AE-24366-00	CLAMP, fuel PIPE 1	1	
19	92501-06012	SCREW, Pan head	1	
20	92990-06600	WASHER, Plate	1	
21	1UF-24315-00	PIPE 5	1	
22	1UF-24322-00	PIPE 11	1	
23	91316-06016	BOLT	2	
24	90467-10091	CLIP	1	
25	1UF-24602-01	CAP ASSY	1	
26	1UF-24619-00	STOPPER, Plate	1	
27	90110-05119	BOLT, hexa#on socket head	1	
28	90110-05120	BOLT, hexa#on socket head	3	

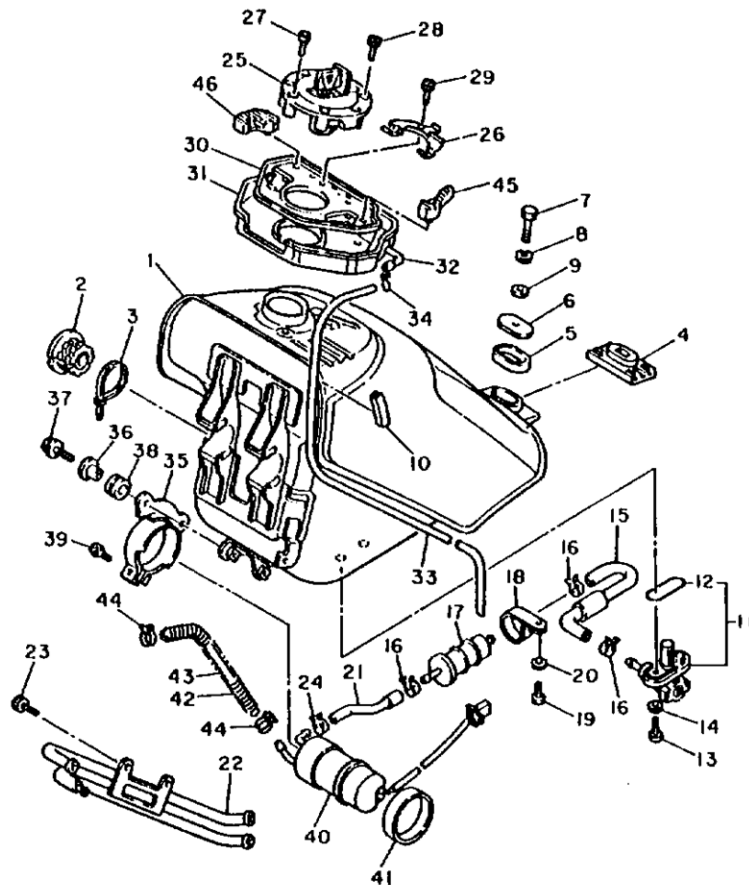


FWD

WF 110 0260

D12

FIG. 26 FUEL TANK



REF. NO.	PART NO.	DESCRIPTION	Q'TY	REMARKS
29	91316-05020	BOLT	1	
30	1UF-2413H-00	FILLER, box	1	
31	1UF-2414A-00	COVER, filler	1	
32	1FK-24376-00	PIPE, Joint 1	1	
33	90445-09124	HOSE	1	
34	90467-08021	CLIP	1	
35	1HX-24491-00	BRACKET, fuel Pump	1	
36	90387-061N0	COLLAR	2	
37	95806-06016	BOLT, flange	2	
38	90480-13163	GROMMET	2	
39	98506-05016	SCREW, Pan head	1	
40	1UF-13907-00	FUEL PUMP COMP.	1	
41	4W8-82311-00	BAND, coil fitting	1	
42	90501-081E6	SPRING, compression	1	
43	90445-125E4	HOSE	1	
44	90460-12256	CLAMP, hose	2	
45	1UF-21746-00	DAMPER	1	
46	1UF-21747-00	DAMPER	1	

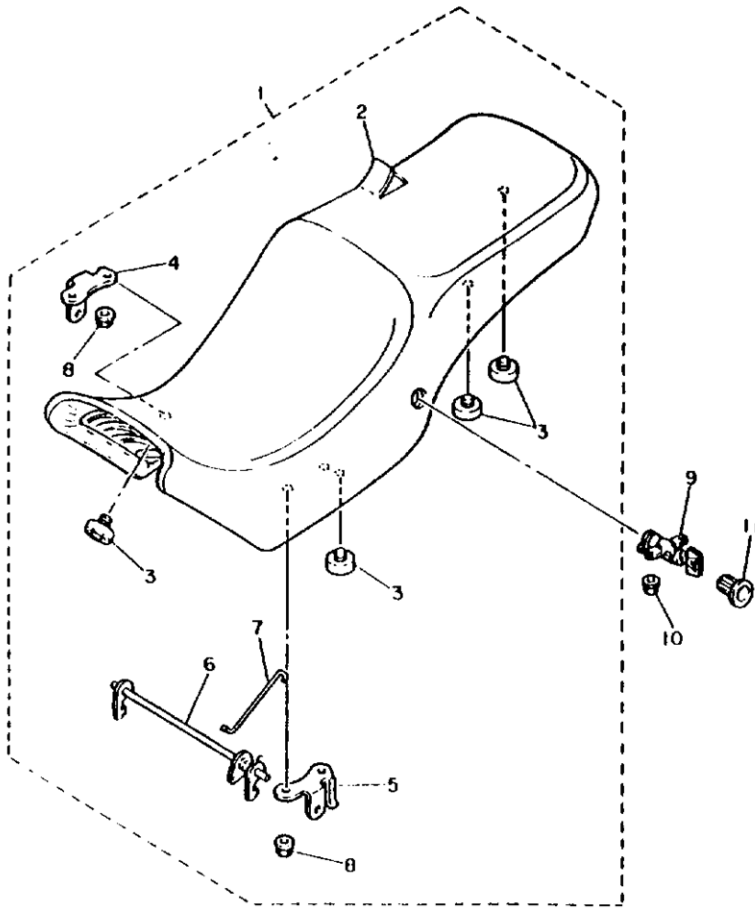


1UF110-6260

D13

FIG. 27 SEAT

REF. NO.	PART NO.	DESCRIPTION	Q'TY	REMARKS
1	1UF-24730-00	DOUBLE SEAT ASSY	1	
2	1UF-24731-00	.COVER, seat	1	
3	22W-24741-00	.PAD, seat	7	
4	47X-24718-01	.BRACKET, seat	1	
5	47X-24728-01	.BRACKET, seat	1	
6	1UF-24776-00	.LEVER, seat	1	
7	1UF-2478F-00	.ROD, connecting	1	
8	95701-08500	.NUT, flange	4	
9	51X-24705-00	SEAT LOCK ASSY	1	
10	95701-05500	NUT, flange	2	
11	1AE-24796-00	COVER	1	

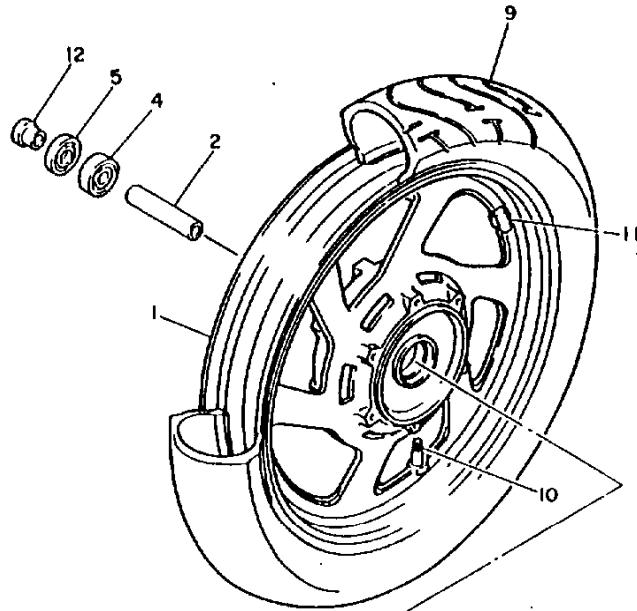


FWD

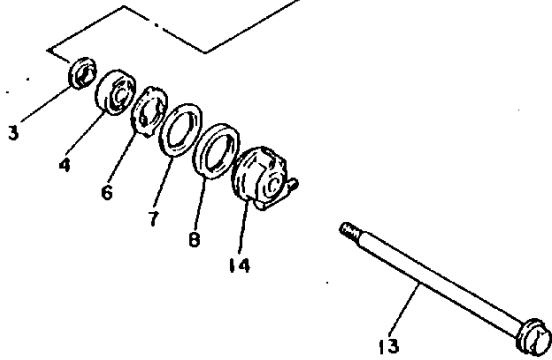
110 110 6270

D14

FIG. 28 FRONT WHEEL



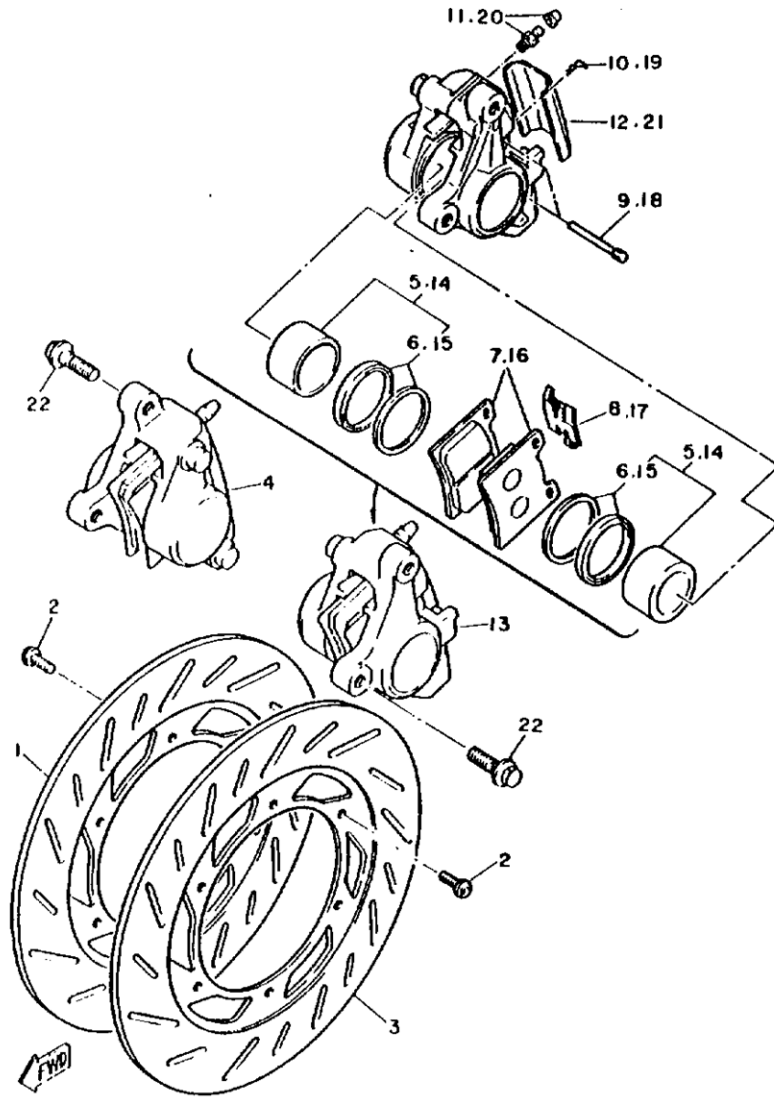
REF. NO.	PART NO.	DESCRIPTION	Q'TY	REMARKS
1	1UF-25168-00-35	CAST WHEEL, front	1	silver
2	90560-15118	SPACER	1	
3	146-25115-00	FLANGE, spacer 1	1	
4	93306-30203	BEARING (86302Z)	2	
6	93102-22014	OIL SEAL	1	
6	341-25149-00	CLUTCH, meter	1	
7	341-25846-00	RETAINER, clutch	1	
8	93105-45017	OIL SEAL	1	
9	*	TIRE (110/90 V16 MT28)	1	LM Pirelli
10	93900-00009	VALVE, rim	1	
11	29L-25398-00	BALANCER, wheel (10G)	1	UN
	29L-25398-10	BALANCER, wheel (20G)	1	UN
	29L-25398-20	BALANCER, wheel (30G)	1	UN
12	90387-15550	COLLAR	1	
13	42X-25181-00	AXLE, wheel	1	
14	1UF-25190-00	GEAR UNIT ASSY	1	



1UF110-8280

D15

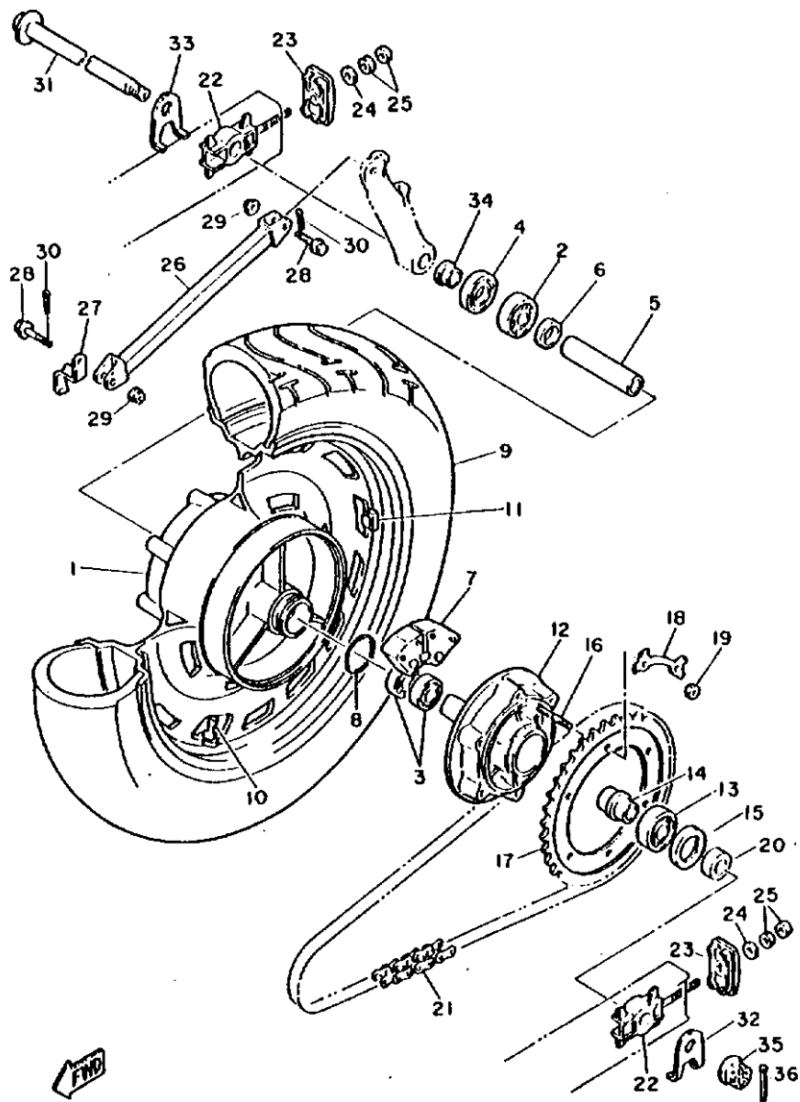
FIG. 29 FRONT BRAKE CALIPER



118 110 6290

REF. NO.	PART NO.	DESCRIPTION	Q'TY	REMARKS
1	1UF-25831-00	DISC, brake (RIGHT)	1	
2	90109-085A4	BOLT	12	
3	1UF-25831-10	DISC, brake (LEFT)	1	
4	1UF-25810-00	CALIPER ASSY (RIGHT)	1	
5	31A-W0057-00	•PISTON ASSY, callPer	1	
6	31A-W0047-00	••CALIPER SEAL KIT	1	
7	1UF-W0045-00	•BRAKE PAD KIT, front	1	
8	29L-25919-00	•SUPPRT, Pad	1	
9	1KT-25924-00	•PIN, Pad	2	
10	26H-25925-00	•CLIP	2	
11	1J3-W0048-00	•BREED SCREW KIT	1	
12	1UF-25836-00	•COVER, dust	1	
13	1UF-25810-10	CALIPER ASSY (LEFT)	1	
14	31A-W0057-00	•PISTON ASSY, callPer	1	
15	31A-W0047-00	••CALIPER SEAL KIT	1	
16	1UF-W0045-00	•BRAKE PAD KIT, front	1	
17	29L-25919-00	•SUPPRT, Pad	1	
18	1KT-25924-00	•PIN, Pad	2	
19	26H-25925-00	•CLIP	2	
20	1J3-W0048-00	•BREED SCREW KIT	1	
21	1UF-25836-00	•COVER, dust	1	
22	90105-10308	BOLT, washer based	4	

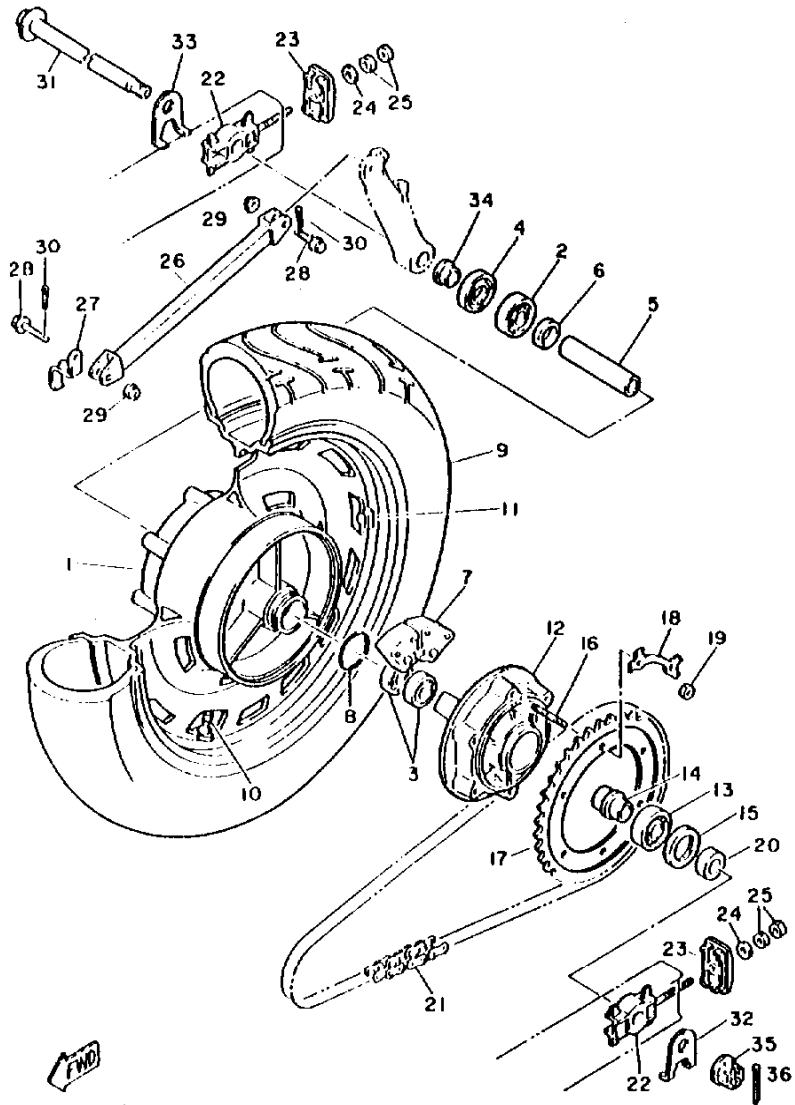
FIG. 30 REAR WHEEL



2AK010-6300

REF. NO.	PART NO.	DESCRIPTION	Q'TY	REMARKS
1	1UF-2533B-00-35	CAST WHEEL, rear	1	silver
2	93306-30306	BEARING (B6303)	1	
3	93306-20310	BEARING (B62030U)	2	
4	93102-25044	OIL SEAL	1	
5	90387-173M5	COLLAR	1	
6	33M-25315-00	FLANGE, sPacer	1	
7	1UF-25364-00	DAMPER	3	
8	93210-48530	O-RING	1	
9	*	TIRE(140/90 V15 MT28)	1	LM Pirelli
10	93900-00025	VALVE, rim	1	
11	29L-25398-00	BALANCER, wheel (10G)	1	UN
	29L-25398-10	BALANCER, wheel (20G)	1	UN
	29L-25398-20	BALANCER, wheel (30G)	1	UN
12	1UF-25366-00	CLUTCH, hub	1	
13	93306-37203	BEARING	1	
14	90387-177K0	COLLAR	1	
15	93105-42024	OIL SEAL	1	
16	90116-10482	BOLT, stud	6	
17	2JE-25438-20-33	SPROCKET, driven (39T)	1	yamaha black
18	2AK-25412-00	WASHER	3	
19	90170-10219	NUT	6	
20	90387-177K1	COLLAR	1	
21	94580-79106	CHAIN (D.I.D 50VA 106L)	1	
22	1UF-25388-00	PULLER, chain 1	2	
23	1UF-22174-00	END 1	2	
24	92901-08600	WASHER, Plate	2	
25	95303-08600	NUT	4	
26	1UF-25371-00	BAR, tension	1	

FIG. 30 REAR WHEEL

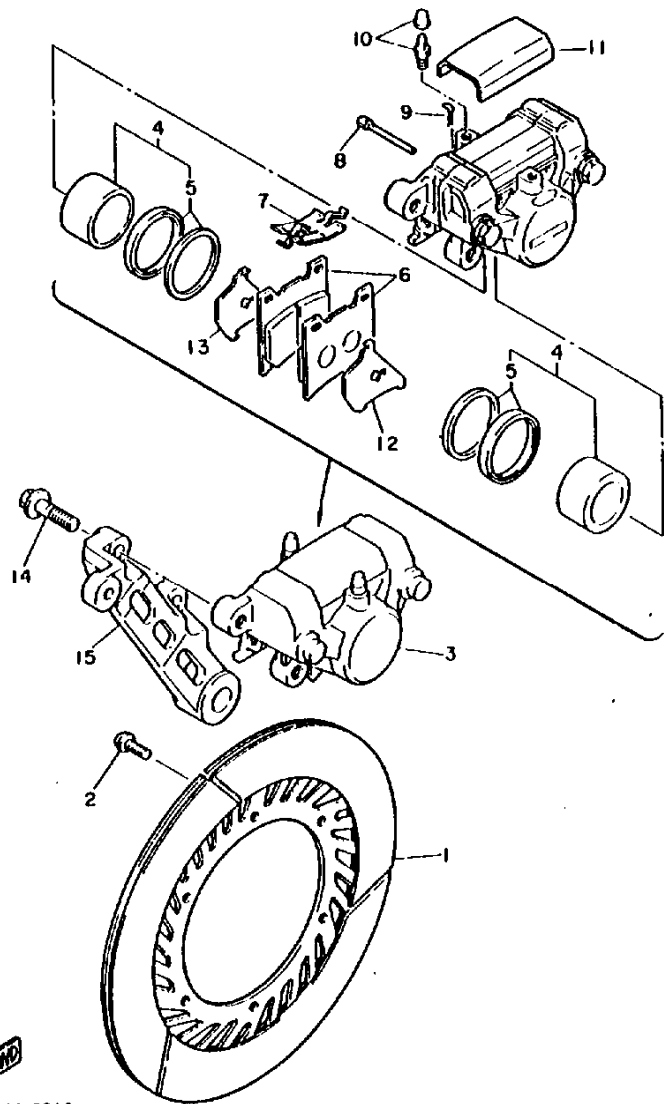


2AK010-6300

REF. NO.	PART NO.	DESCRIPTION	Q'TY	REMARKS
27	1UF-25886-00	HOLDER, brake hose	1	
28	90105-08321	BOLT, washer based	2	
29	95701-08500	NUT, flange	2	
30	91401-20015	PIN, cotter	2	
31	1AE-25381-00	AXLE, wheel	1	
32	1UF-2533A-00	PLATE, indicator	1	
33	1UF-2533E-00	PLATE, indicator 2	1	
34	90387-170J8	COLLAR	1	
35	90171-16024	NUT, castle	1	
36	91401-30030	PIN, cotter	1	

E4

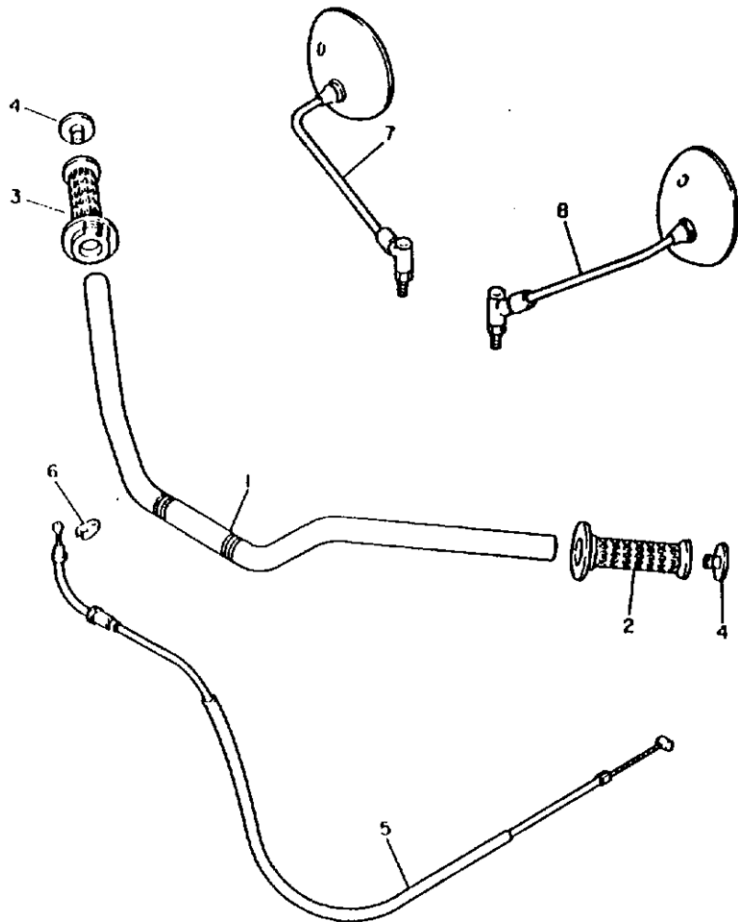
FIG. 31 REAR BRAKE CALIPER



1UF110-6310

REF. NO.	PART NO.	DESCRIPTION	Q'TY	REMARKS
1	31A-25831-51	DISC, brake	1	
2	90109-085A4	BOLT	8	
3	1UF-25810-50	CALIPER ASSY	1	
4	31A-W0057-00	.PISTON ASSY, caliPer	1	
5	31A-W0047-00	..CALIPER SEAL KIT	1	
6	1UF-W0045-00	.BRAKE PAD KIT, front	1	
7	26H-25919-00	.SUPPRT, Pad	1	
8	1KT-25924-00	.PIN, Pad	2	
9	26H-25925-00	.CLIP	2	
10	1J3-W0048-00	.BREED SCREW KIT	1	
11	1UF-25836-50	.COVER, dust	1	
12	1FK-25827-00	.SHIM, caliPer	1	
13	1FK-25828-00	.SHIM, caliPer	1	
14	90105-10308	BOLT, washer based	2	
15	1UF-25819-00	BRACKET, caliPer	1	

FIG. 32 STEERING HANDLE, CABLE



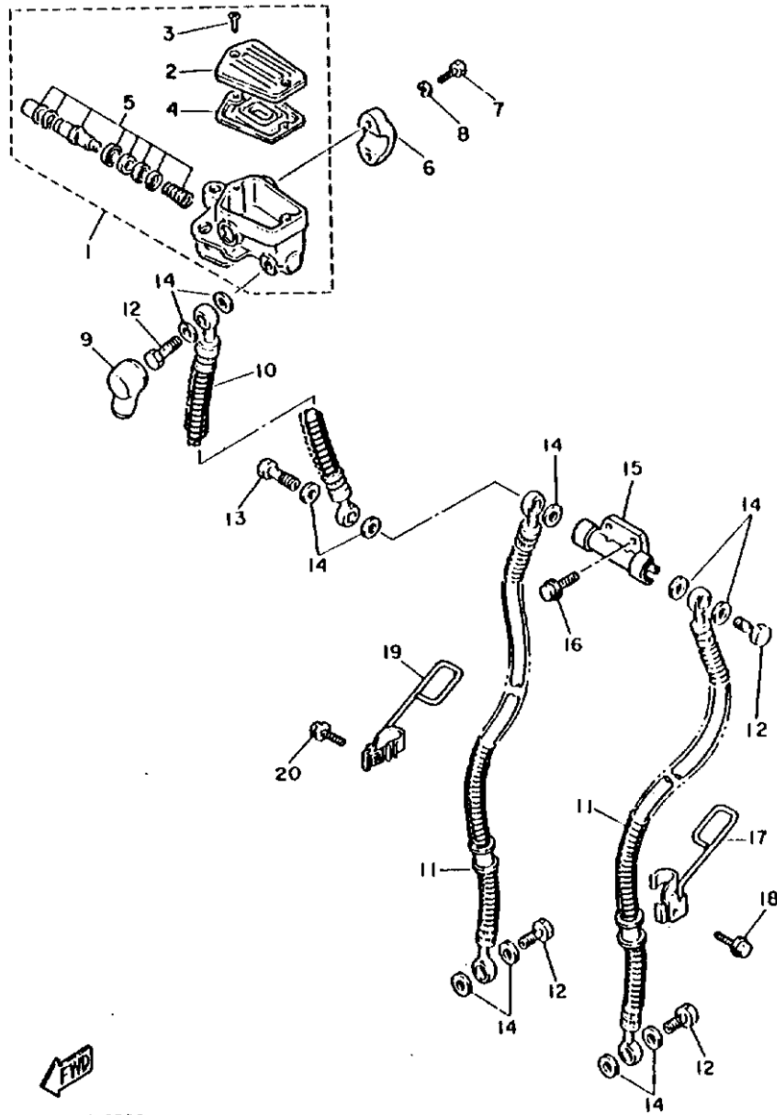
REF. NO.	PART NO.	DESCRIPTION	Q'TY	REMARKS
1	1UF-W2611-00	HANDLEBAR	1	
2	42X-26241-00	GRIP (L.H)	1	
3	42X-26240-00	GRIP ASSY	1	
4	26H-2628J-00	CAP, Grip	2	
5	1UF-26311-00	CABLE, throttle 1	1	
6	6H0-26393-00	HOLDER	1	
7	1J7-26290-G0	BACK MIRROR ASSY (RIGHT)	1	
8	1J7-26290-F0	BACK MIRROR ASSY (LEFT)	1	



2 JI 300 7320

E6

FIG. 33 FRONT MASTER CYLINDER



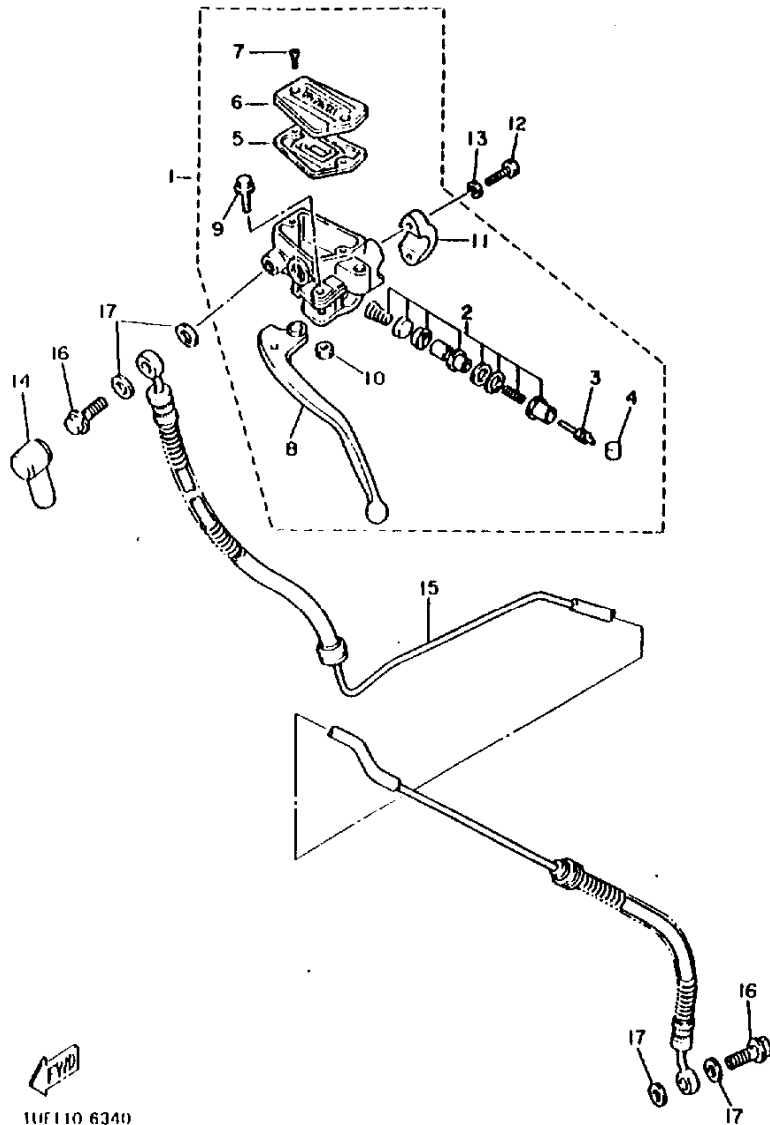
REF. NO.	PART NO.	DESCRIPTION	Q'TY	REMARKS
1	36Y-25850-00	MASTER CYLINDER ASSY	1	
2	36Y-25852-00	.CAP, reservoir	1	
3	98706-04012	.SCREW, flat head	2	
4	36Y-25854-00	.DIAPHRAGM, reservoir	1	
5	36Y-W0041-00	.CYLINDER KIT, master	1	
6	36Y-25867-00	BRACKET, master cylinder	1	
7	91316-06025	BOLT	2	
8	92906-06100	WASHER, spring	2	
9	4L0-25862-00	BOOT, master cylinder	1	
10	1UF-25872-00	HOSE, brake 1	1	
11	1UF-25873-00	HOSE, brake 2	2	
12	90401-10034	BOLT, union	4	
13	90401-10044	BOLT, union	1	
14	90201-10118	WASHER, Plate	11	
15	1UF-25885-00	JOINT	1	
16	95023-06020	BOLT, flange	2	
17	55R-25875-00	HOLDER, brake hose 1	1	
18	95023-06016	BOLT, flange	1	
19	55R-25876-00	HOLDER, brake hose 2	1	
20	95023-06018	BOLT, flange	1	



1UF110-6330

E7

FIG. 34 FRONT MASTER CYLINDER 2



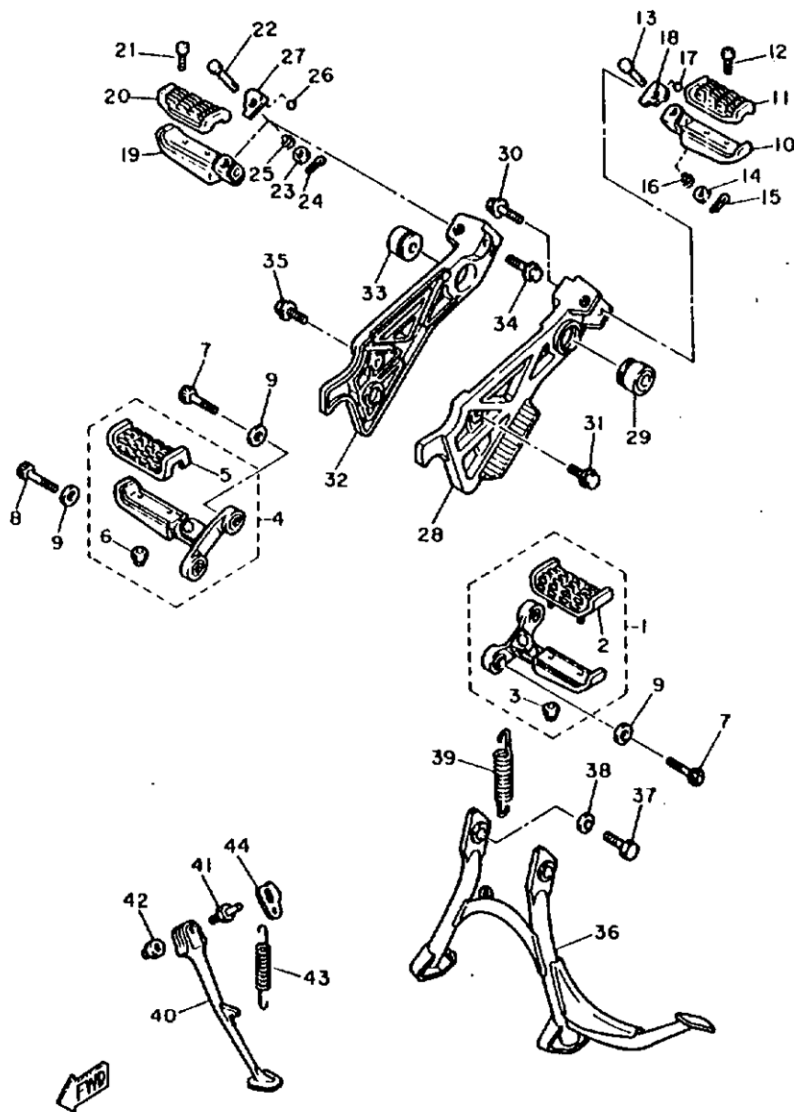
REF. NO.	PART NO.	DESCRIPTION	Q'TY	REMARKS
1	1UF-26450-01	MASTER CYLINDER ASSY (CLUTCH)	1	
2	26H-W0099-00	.CYLINDER KIT, master (CLUTCH)	1	
3	26H-26464-00	.ROD, Push	1	
4	26H-26455-00	.BUSH	1	
5	1AE-26454-00	.DIAPHRAGM, reservoir	1	
6	1FK-26452-00	.CAP, reservoir	1	
7	98706-04012	.SCREW, flat head	2	
8	1AE-83912-00	.LEVER 1	1	
9	90109-007A0	.BOLT	1	
10	95608-06100	.NUT, u	1	
11	1AE-26467-00	.HOLDER	1	
12	91318-00025	BOLT	2	
13	92906-06100	WASHER, sPrinE	2	
14	4L0-25862-00	BOOT, master cylinder	1	
15	1UF-26470-00	HOSE, clutch	1	
16	90401-10034	BOLT, union	2	
17	90201-10118	WASHER, Plate	4	



1UF110 6340

E8

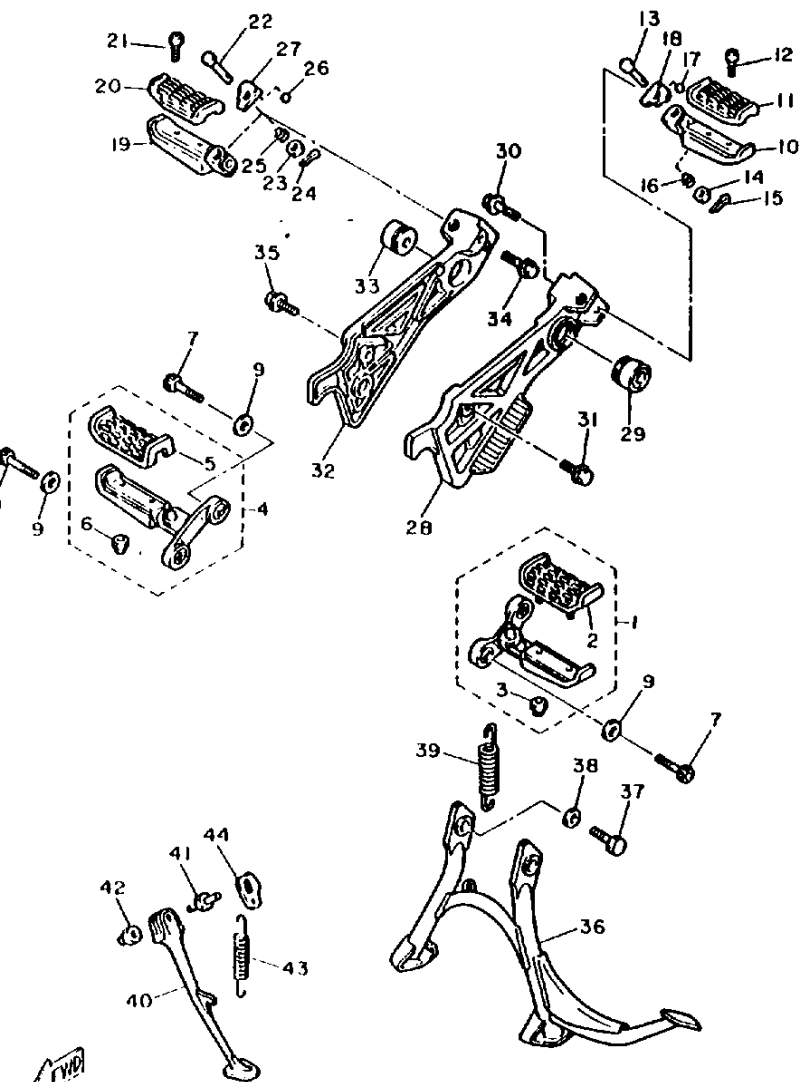
FIG. 35 STAND. FOOTREST



1UF110-6350

REF. NO.	PART NO.	DESCRIPTION	Q'TY	REMARKS
1	1UF-27410-00	FRONT FOOTREST ASSY (LEFT)	1	
2	22N-27413-00	.COVER, footrest	1	
3	95601-06100	.NUT, u	2	
4	1UF-27420-00	FRONT FOOTREST ASSY (RIGHT)	1	
5	22N-27413-00	.COVER, footrest	1	
6	95601-06100	.NUT, u	2	
7	90110-08122	BOLT, hexagon socket head	3	
8	90110-08123	BOLT, hexagon socket head	1	
9	90209-08295	WASHER	4	
10	29L-27431-00	FOOTREST, rear 1	1	
11	22N-27433-00	COVER, rear footrest	1	
12	98506-05010	SCREW, Pan head	2	
13	91701-06042	PIN, clevis	1	
14	92901-06200	WASHER, Plain	1	
15	91401-20015	PIN, cotter	1	
16	90501-16761	SPRING, compression	1	
17	93501-04011	BALL	1	
18	33M-27437-00	WASHER, special	1	
19	29L-27441-00	FOOTREST, rear 2	1	
20	22N-27433-00	COVER, rear footrest	1	
21	98506-05010	SCREW, Pan head	2	
22	91701-06042	PIN, clevis	1	
23	92901-06200	WASHER, Plain	1	
24	91401-20015	PIN, cotter	1	
25	90501-16761	SPRING, compression	1	
26	93501-04011	BALL	1	
27	33M-27437-00	WASHER, special	1	
28	1UF-27442-00-38	BRACKET 2	1	clear bulfin

FIG. 35 STAND, FOOTREST

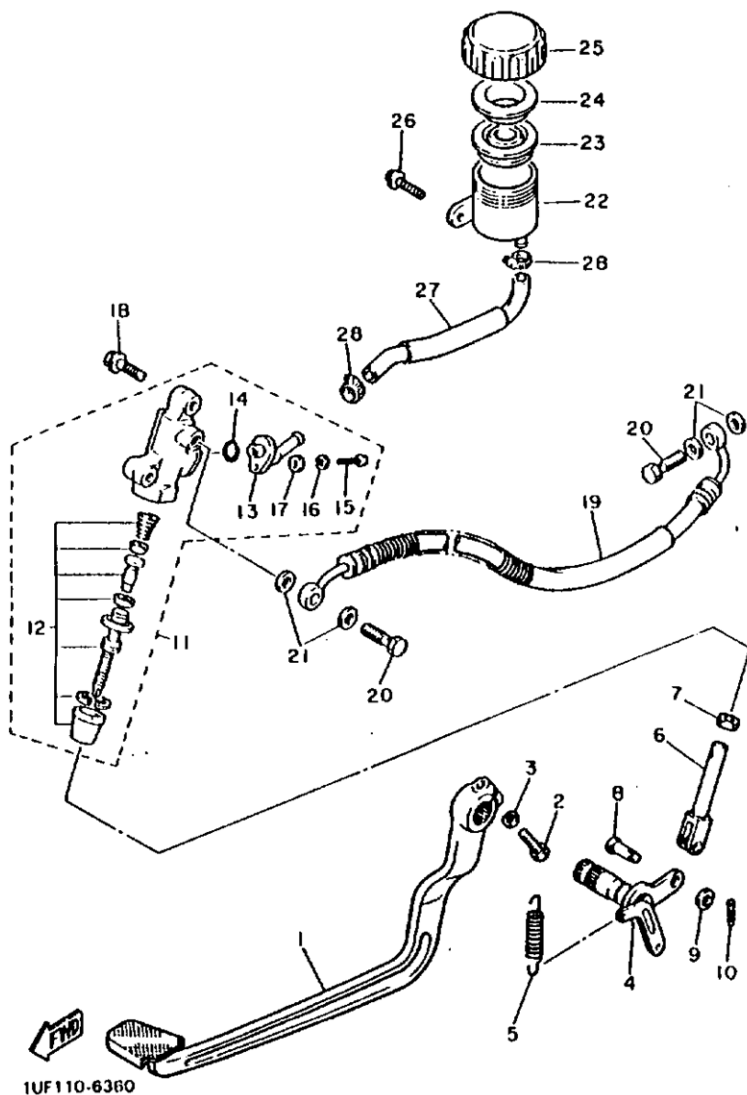


REF. NO.	PART NO.	DESCRIPTION	Q'TY	REMARKS
29	IUF-14737-00	DAMPER, muffler	1	
30	95023-08025	BOLT, flange	1	
31	91002-10020	BOLT, flange	1	
32	IUF-27443-00-38	BRACKET 3	1	clear buffing
33	IUF-14737-00	DAMPER, muffler	1	
34	95023-08025	BOLT, flange	1	
35	91002-10020	BOLT, flange	1	
36	IUF-27111-00	STAND, main	1	
37	97322-10016	BOLT	2	
38	90201-10752	WASHER, plate	2	
39	90506-35149	SPRING, tension	1	
40	IUF-27311-00-R4	STAND, side	1	black
41	90109-10590	BOLT	1	
42	90185-10120	NUT, self-locking	1	
43	90506-29266	SPRING, tension	1	
44	4U8-27315-00	LINK, side stand	1	

1UF110 6350

E10

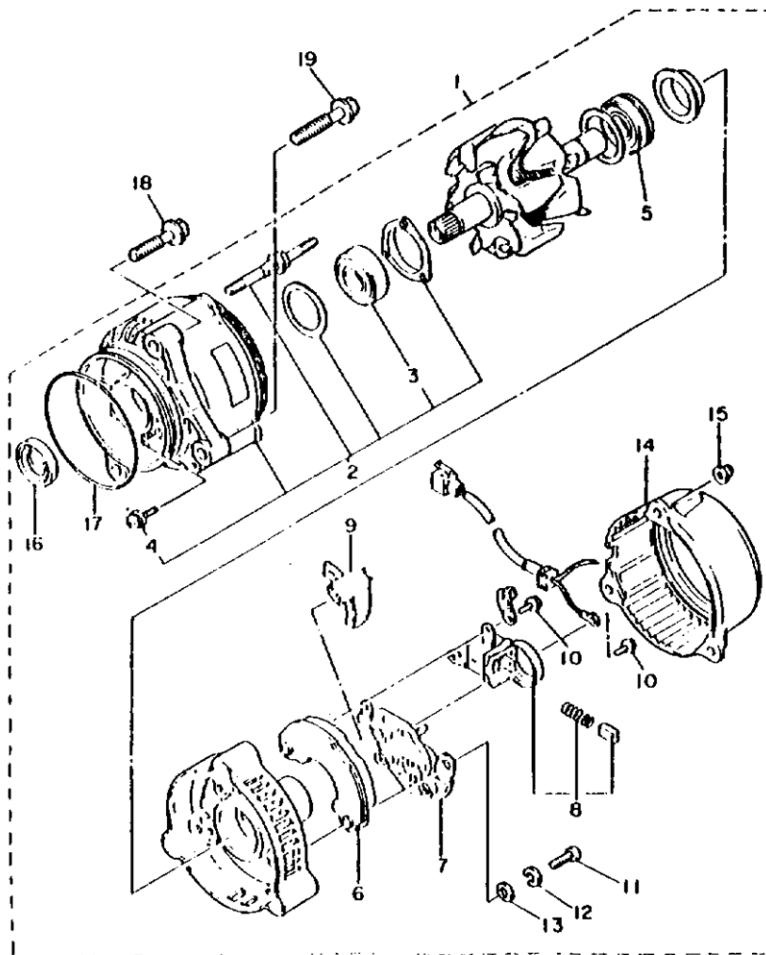
FIG. 36 REAR MASTER CYLINDER



REF. NO.	PART NO.	DESCRIPTION	Q'TY	REMARKS
1	1UF-27211-00	PEDAL, brake	1	
2	90109-06488	BOLT	1	
3	92990-06100	WASHER, sPrinE	1	
4	1UF-27212-00	SHAFT, brake Pedal	1	
5	90506-20193	SPRING, tension	1	
6	1UF-27222-00	JOINT	1	
7	95303-08700	NUT	1	
8	90240-08013	PIN, clevis	1	
9	90201-08083	WASHER, Plate	1	
10	91401-20015	PIN, collar	1	
11	1UF-26850-50	MASTER CYLINDER ASSY	1	
12	1UF-W0042-50	.CYLINDER KIT, master	1	
13	47X-2582A-50	.JOINT	1	
14	93210-15620	.O-RING	1	
15	98511-04012	.SCREW, Pan head	1	
16	92906-04100	.WASHER, sPrinE	1	
17	92901-04600	.WASHER, Plate	1	
18	95026-08020	BOLT, flange	2	
19	1UF-25872-50	HOSE, brake l	1	
20	90401-10034	BOLT, union	2	
21	90201-10118	WASHER, Plate	4	
22	31A-25894-01	TANK, reservoir	1	
23	360-25854-00	DIAPHRAGM, reservoir	1	
24	360-25855-01	BUSH, diaPhraEm	1	
25	1A1-25852-00	CAP, reservoir	1	
26	90159-06056	SCREW, with washer	1	
27	1UF-25895-00	HOSE, reservoir	1	
28	90467-14057	CLIP	2	

FIG. 37 GENERATOR

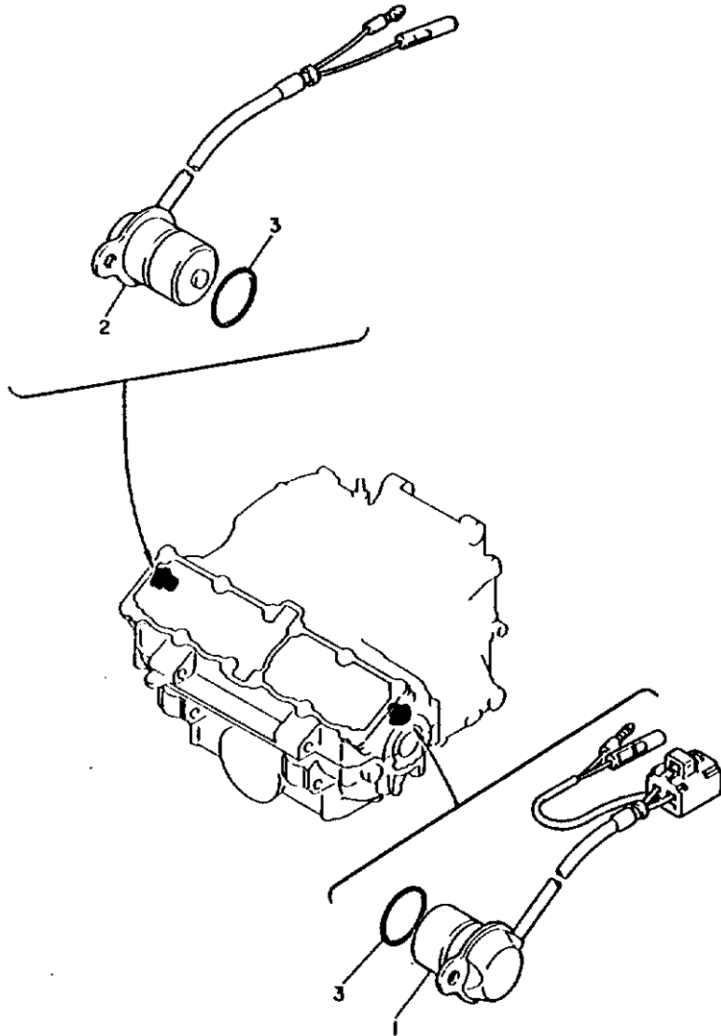
REF. NO.	PART NO.	DESCRIPTION	Q'TY	REMARKS
1	2KT-81800-50	A.C. GENERATOR ASSY	1	
2	2KT-81834-50	•STATOR ASSY	1	
3	36Y-81643-30	••BEARING	1	
4	36Y-81645-50	••SCREW	3	
5	36Y-81643-50	•BEARING	1	
6	36Y-81970-50	•RECTIFIER ASSY	1	
7	36Y-81910-50	•VOLTAGE REGULATOR ASSY	1	
8	2KT-81619-50	•BRUSH HOLDER ASSY	1	
9	36Y-81972-50	•COVER, rectifier	1	
10	36Y-81645-30	•SCREW	2	
11	98501-05018	•SCREW, Pan head	3	
12	92901-05100	•WASHER, spring	3	
13	92901-05600	•WASHER, plate	3	
14	2KT-81604-50	•COVER ASSY	1	
15	2KT-81675-50	•NUT	3	
16	36Y-81638-50	•OIL SEAL	1	
17	2KT-81642-50	•O-RING	1	
18	95816-08030	BOLT, flange	1	
19	95816-08040	BOLT, flange	2	



2JF300-7370

FIG. 38 PICK UP COIL. GOVERNOR

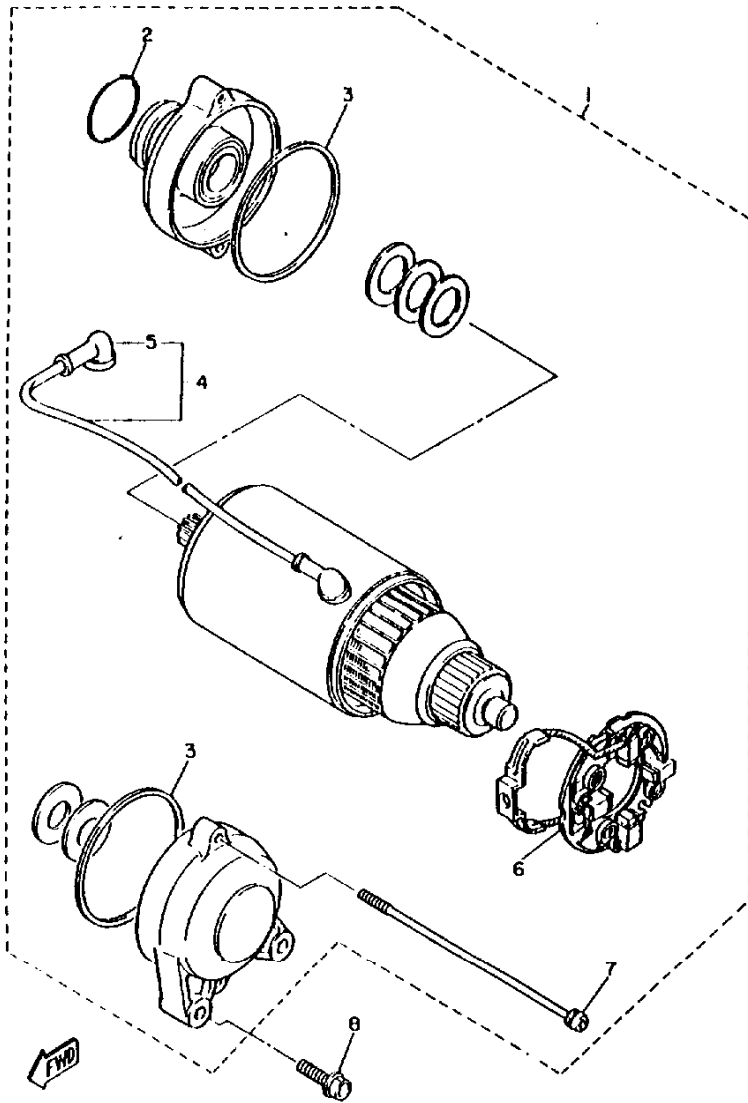
REF. NO.	PART NO.	DESCRIPTION	Q'TY	REMARKS
1	1UF-81670-10	PICK-UP ASSY	1	
2	1UF-81680-10	PICK UP ASSY 2	1	
3	93210-19216	O-RING	2	



1UF110-6380

FIG. 39 STARTING MOTOR

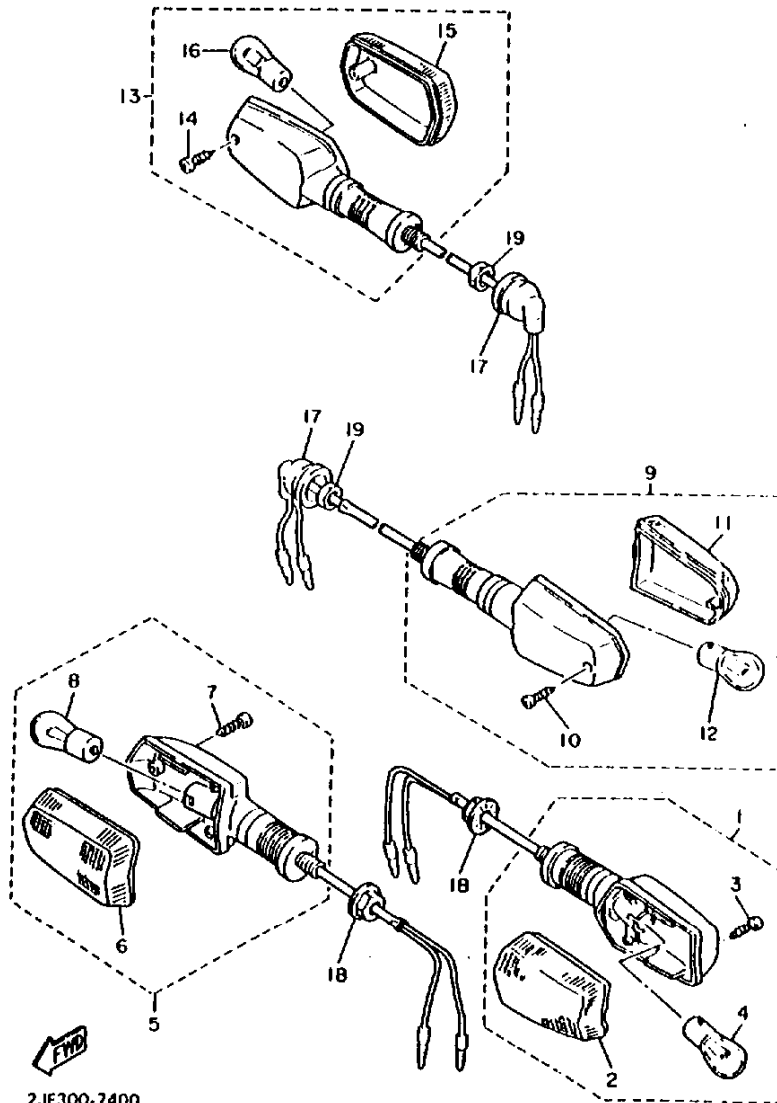
REF. NO.	PART NO.	DESCRIPTION	Q'TY	REMARKS
1	1UF-81800-80	STARTING MOTOR ASSY	1	
2	26H-81847-00	.O-RING	1	
3	4G0-81844-00	.GASKET	2	
4	4G0-81816-00	.WIRE, starter	1	
5	4G0-81871-00	..CAP	2	
6	1AE-81840-00	.BRUSH HOLDER ASSY	1	
7	22U-81826-00	.BOLT	2	
8	95816-06025	BOLT, flange	2	



1FN310-541D

E14

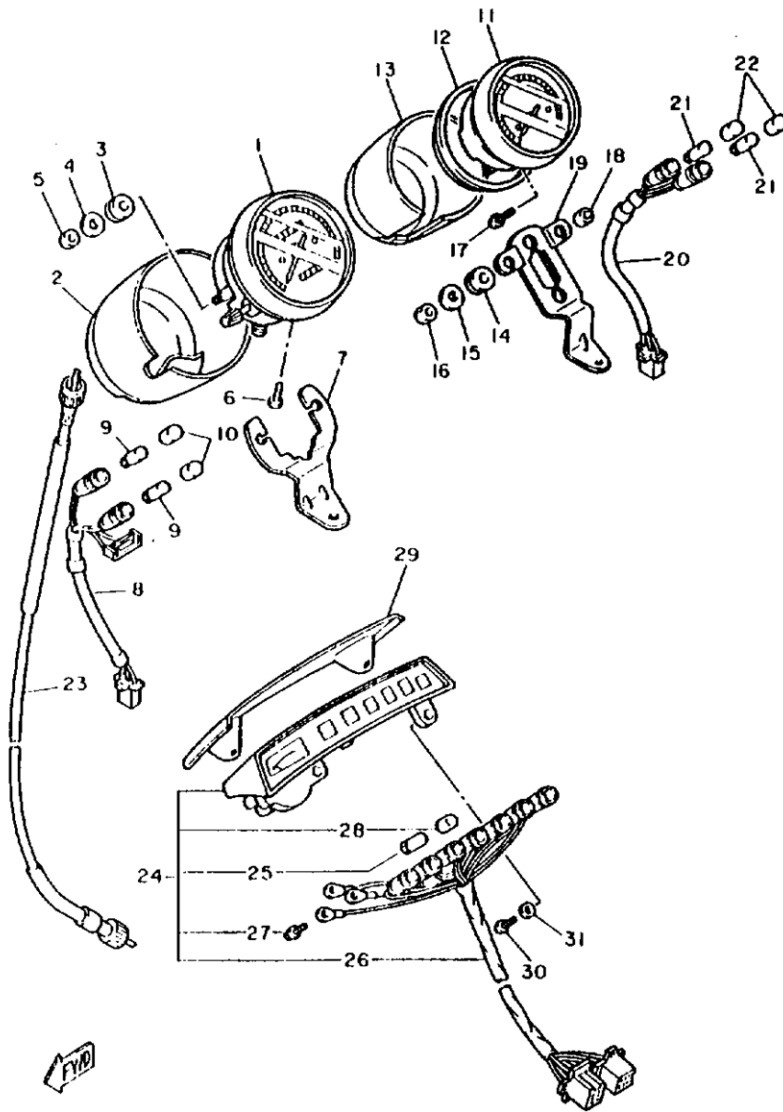
FIG. 40 FLASHER LIGHT



2JE300-7400

REF. NO.	PART NO.	DESCRIPTION	Q'TY	REMARKS
1	51J-83310-00	FRONT FLASHER LIGHT ASSY 1	1	
2	51L-83332-01	•LENS, flasher	1	
3	97706-40620	•SCREW, tapping	1	
4	•	•BULB, flasher (12V-21W)	1	LM
5	51J-83320-00	FRONT FLASHER LIGHT ASSY 2	1	
6	51L-83332-01	•LENS, flasher	1	
7	97706-40620	•SCREW, tapping	1	
8	•	•BULB, flasher (12V-21W)	1	LM
9	2JE-83330-00	REAR FLASHER LIGHT ASSY 1	1	
10	97706-40620	•SCREW, tapping	1	
11	1VU-83332-00	•LENS, flasher	1	
12	•	•BULB, flasher (12V-21W)	1	LM
13	2JE-83340-00	REAR FLASHER LIGHT ASSY 2	1	
14	97706-40620	•SCREW, tapping	1	
15	1VU-83342-00	•LENS, flasher 2	1	
16	•	•BULB, flasher (12V-21W)	1	LM
17	180-83365-00	CAP	2	
18	95706-12500	NUT, flange	2	
19	95306-12600	NUT	2	

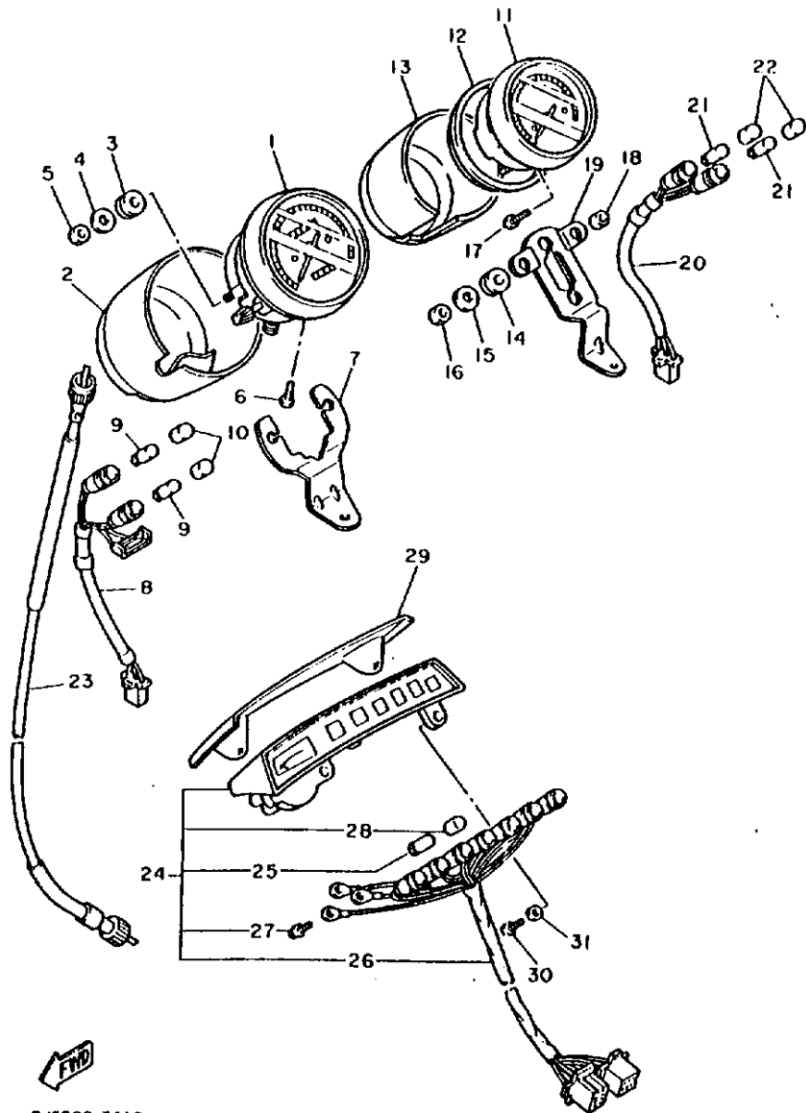
FIG. 41 METER



REF. NO.	PART NO.	DESCRIPTION	Q'TY	REMARKS
1	1UG-8351A-F0	METER ASSY	1	
2	1FK-83507-00	COVER, speedometer	1	
3	12R-83513-00	DAMPER	2	
4	90201-05031	WASHER, Plate	2	
5	95301-05600	NUT	2	
6	90164-04009	SCREW, tapping	1	
7	1UF-83519-00	BRACKET, meter	1	
8	1UF-83509-00	SOCKET CORD ASSY	1	
9	42X-83517-00	BULB (12V-3W)	2	
10	1FK-83535-00	TUBE	2	
11	1UF-8354A-00	TACHOMETER ASSY	1	
12	1UF-83541-00	DAMPER	1	
13	1UF-83508-00	COVER, tachometer	1	
14	12R-83513-00	DAMPER	2	
15	90201-05031	WASHER, Plate	2	
16	95301-05600	NUT	2	
17	90164-04009	SCREW, tapping	1	
18	29L-83523-00	DAMPER	2	
19	1UF-83545-00	BRACKET, tachometer	1	
20	1UF-83586-00	SOCKET ASSY	1	
21	42X-83517-00	BULB (12V-3W)	2	
22	1FK-83535-00	TUBE	2	
23	4G0-83550-00	SPEEDOMETER CABLE ASSY	1	
24	1UF-83530-00	PILOT LIGHT ASSY	1	
25	42X-83517-00	•BULB (12V-3W)	7	
26	1UF-83520-00	•SOCKET CORD ASSY	1	
27	90159-03102	•SCREW, with washer	3	
28	1FK-83535-00	•TUBE	1	

2JF 300-7410

FIG. 41 METER

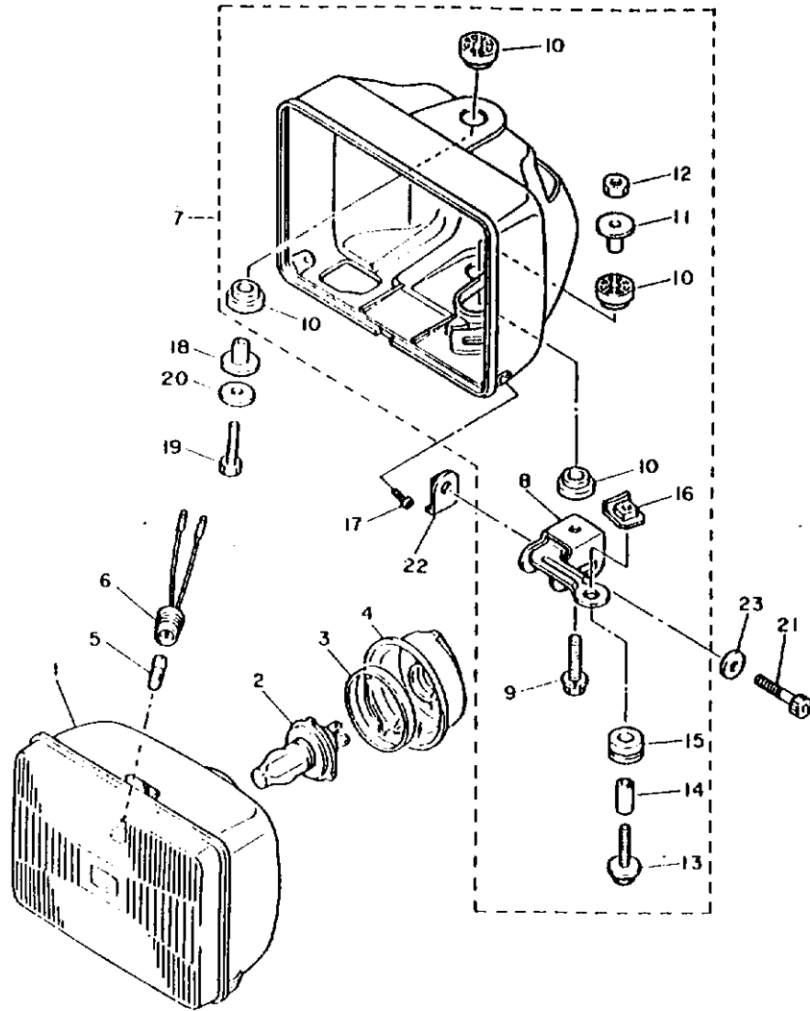


REF. NO.	PART NO.	DESCRIPTION	Q'TY	REMARKS
29	1UF-83559-00	COVER, meter	1	
30	98501-05020	SCREW, Pan head	2	
31	92901-05600	WASHER, Plate	2	



2JE300-7410

FIG. 42 HEADLIGHT



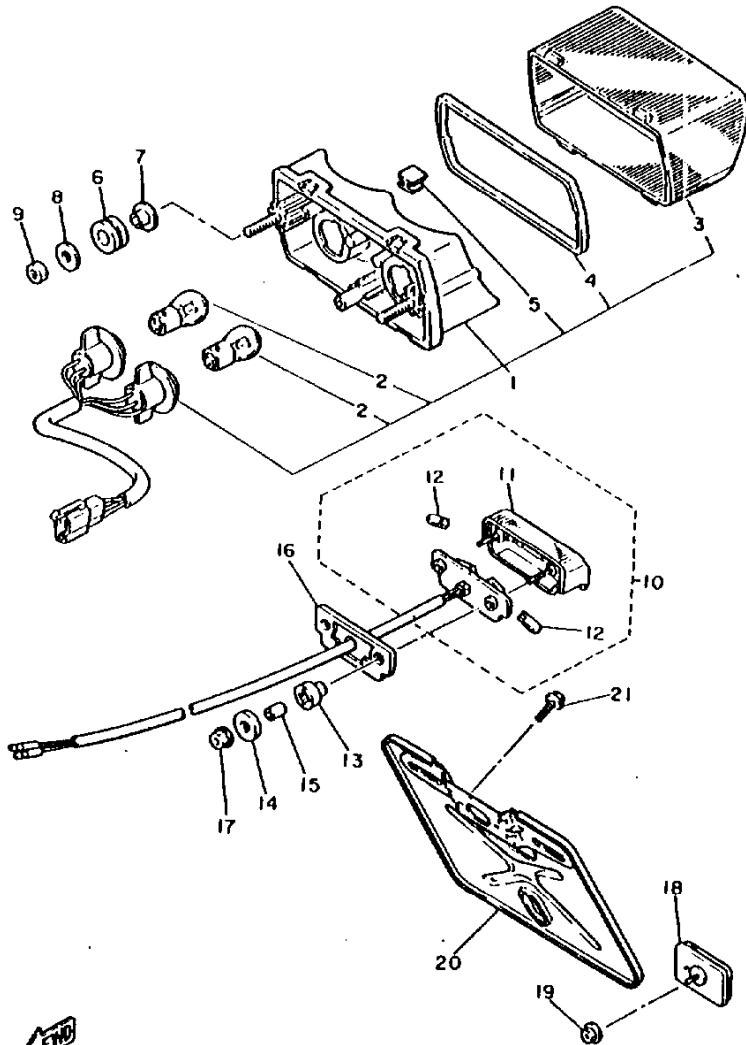
REF. NO.	PART NO.	DESCRIPTION	Q'TY	REMARKS
1	2JE-84320-00	LENS ASSY	1	
2	*	BULB (12V-60/55W)	1	LM
3	2F9-84375-00	FITTING PLATE, bulb	1	
4	2F9-84397-01	COVER, socket	1	
5	4E2-84347-00	BULB (12V-4W)	1	
6	36Y-84359-00	CORO, headlight	1	
7	1UF-84330-00	BODY ASSY	1	
8	1UF-84319-00	.STAY, headlight 2	1	
9	1UF-84337-00	.BOLT, sPecial	1	
10	1UF-84366-00	.DAMPER, headlight 1	4	
11	1UF-84338-00	.COLLAR, body fitting	1	
12	95303-08600	.NUT	1	
13	1UF-84137-00	.BOLT, sPecial	1	
14	1UF-84307-00	.COLLAR	1	
15	1UF-84345-00	.DAMPER, headlight	1	
16	1UF-84316-00	.NUT, body fitting	1	
17	90157-05084	SCREW, Pan head	2	
18	1UF-84338-00	COLLAR, body fitting	1	
19	98002-08035	BOLT	1	
20	90201-08795	WASHER, Plate	1	
21	91316-08045	BOLT	1	
22	1UF-84327-00	WASHER, sPecial	1	
23	92906-08200	WASHER, Plain	1	



2JF308-7420

F4

FIG. 43 TAILLIGHT



REF. NO.	PART NO.	DESCRIPTION	Q'TY	REMARKS
1	2JE-84710-E0	TAILLIGHT UNIT ASSY	1	
2	31L-84714-00	.BULB, taillight (12V-21/5W)	2	
3	1FN-84721-E0	.LENS, taillight	1	
4	47X-84723-00	.GASKET, tail lens	1	
5	1A2-84718-40	.GROMMET	1	
6	90480-18276	GROMMET	2	
7	90387-061R8	COLLAR	2	
8	90201-066F3	WASHER, Plate	2	
9	95302-06600	NUT	2	
10	2JE-84745-E0	LICENCE LIGHT UNIT ASSY	1	
11	2JE-84749-E0	.BODY, licence light	1	
12	2JE-84744-00	.BULB (12V-5W)	2	
13	3F9-84553-00	DAMPER	2	
14	3F9-84754-00	WASHER, special	2	
15	3F9-84757-00	COLLAR, licence bracket	2	
16	3F9-84742-00	SEAT, base	1	
17	95701-05500	NUT, flange	2	
18	3G1-85130-01	REAR REFLECTOR ASSY	1	
19	95701-05500	NUT, flange	1	
20	36Y-84751-E1-98	BRACKET, licence	1	low gloss black
21	90118-06042	BOLT, with washer	2	

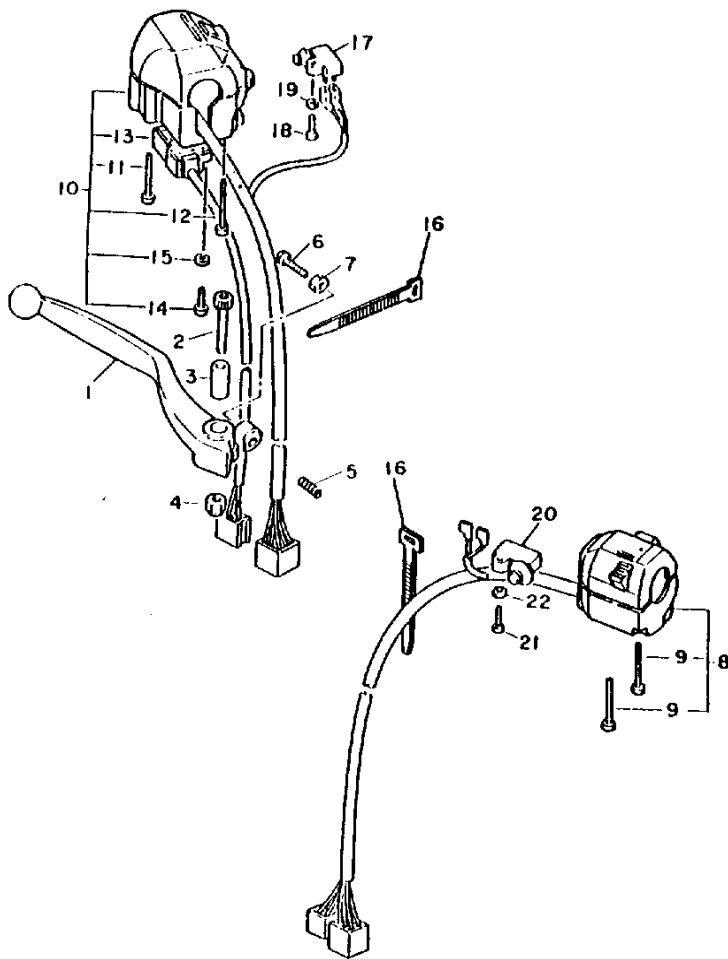


2JE300-7430

F5

FIG. 44 HANDLE SWITCH, LEVER

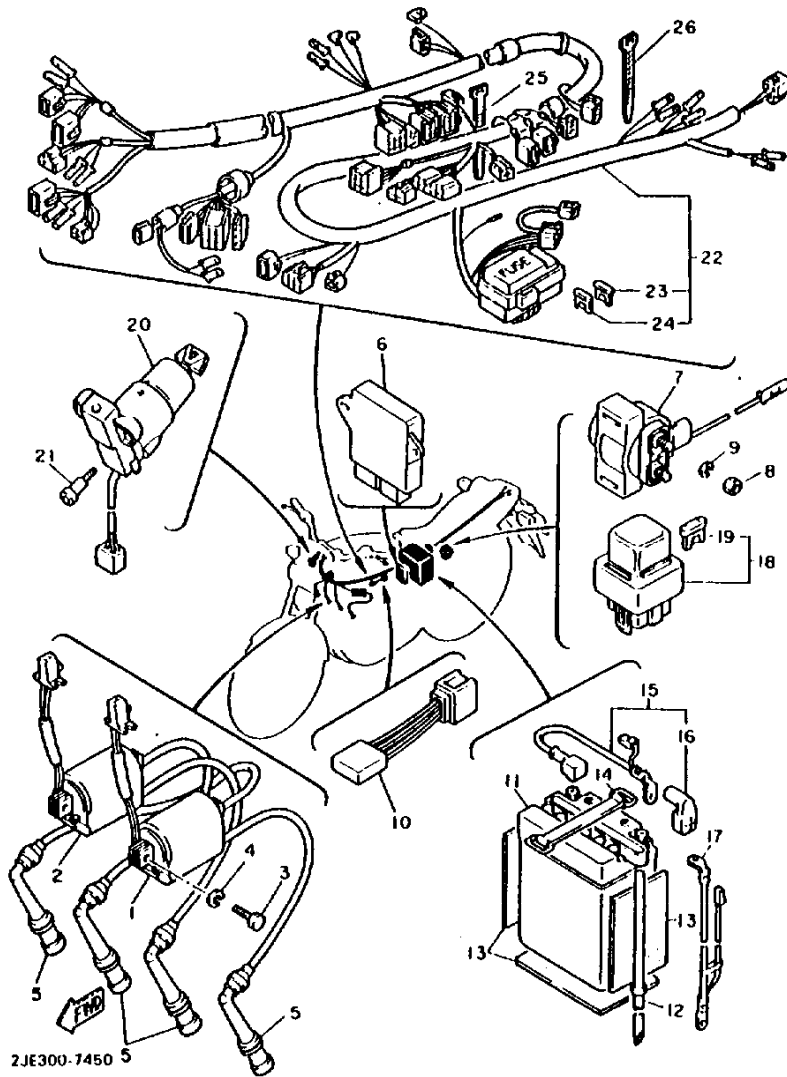
REF. NO.	PART NO.	DESCRIPTION	Q'TY	REMARKS
1	36Y-83922-00	LEVER 2	1	
2	90110-06074	BOLT, hexagon socket head	1	
3	36Y-83913-00	COLLAR, lever 1	1	
4	98506-06100	NUT, u	1	
5	90501-10312	SPRING, compression	1	
6	90149-06153	SCREW	1	
7	90170-06010	NUT	1	
8	2JE-83972-00	SWITCH, handle 4	1	
9	98506-05035	SCREW, Pan head	2	
10	2AK-83972-10	SWITCH, handle 4	1	
11	98506-05040	SCREW, Pan head	1	
12	98506-05045	SCREW, Pan head	1	
13	42H-83864-00	SWITCH	1	
14	98501-03016	SCREW, Pan head	2	
15	82990-03100	WASHER, spring	2	
16	437-83936-00	BAND, switch cord	2	
17	36Y-83980-00	FRONT STOP SWITCH ASSY	1	
18	98506-04018	SCREW, Pan head	1	
19	92906-04600	WASHER, Plate	1	
20	36Y-82917-00	SWITCH	1	
21	98506-04018	SCREW, Pan head	1	
22	82906-04600	WASHER, Plate	1	



2AK010-6440

F6

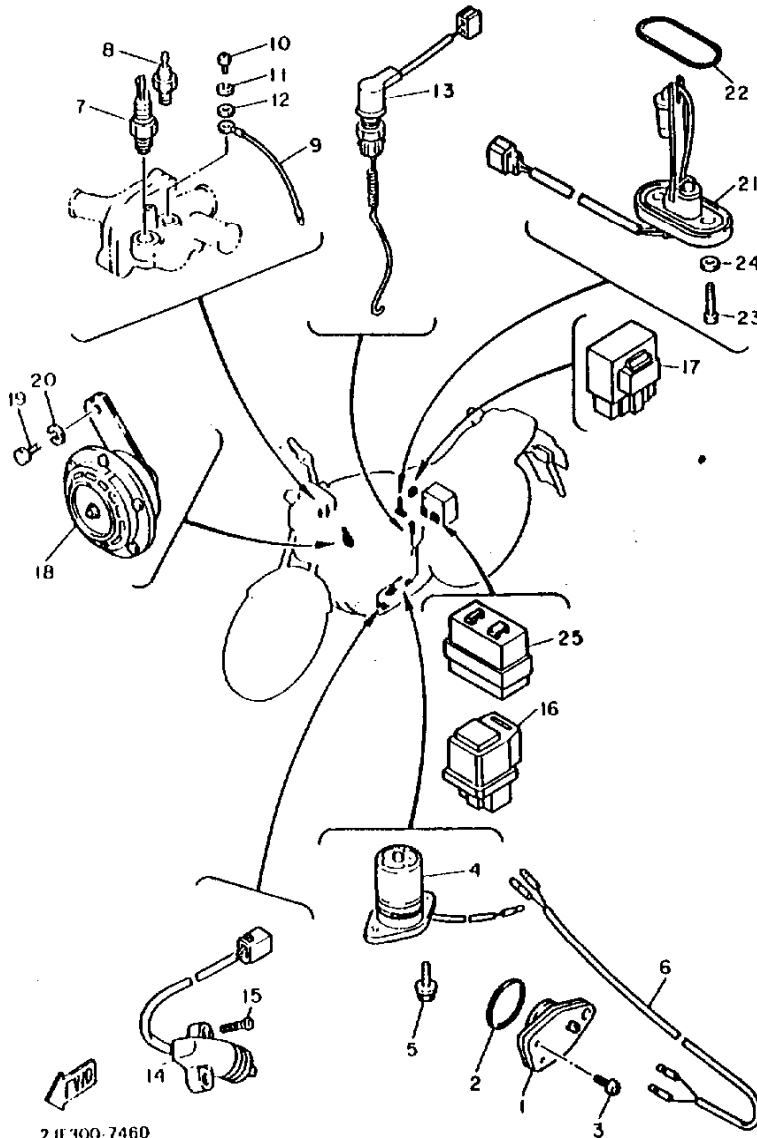
FIG. 45 ELECTRICAL 1



2JE300-7450 5

REF. NO.	PART NO.	DESCRIPTION	Q'TY	REMARKS
1	IUF-82310-10	IGNITION COIL ASSY	1	
2	IUF-82320-10	IGNITION COIL ASSY	1	
3	97011-06020	BOLT	4	
4	92990-06100	WASHER, sPrInG	4	
5	2KT-82370-00	PLUG CAP ASSY	4	
6	IUF-82305-10	IGNITOR UNIT ASSY	1	
7	36Y-81940-00	STARTER SWITCH ASSY	1	
8	95302-06700	NUT	2	
9	92990-06100	WASHER, sPrInG	2	
10	4U8-81980-M0	DIODE	1	for side stand
11	447-82110-78	BATTERY ASSY (FB14L-A2)	1	safely devise yamaha
12	90445-083A4	HOSE	1	
13	5G3-82121-00	PAD, battery	3	
14	2T4-82131-00	BAND, battery	1	
15	36Y-82115-00	WIRE, Plus lead	1	
16	4X7-82119-00	COVER, lead wire	1	
17	IUF-82116-00	WIRE, minus lead	1	
18	1AE-82150-00	FUSE HOLDER ASSY	1	
19	1AE-82151-00	FUSE (12V-30A)	2	
20	2JE-82510-00	MAIN SWITCH ASSY	1	
21	90149-06228	SCREW	2	
22	2JE-82590-00	WIRE HARNESS ASSY	1	
23	36Y-82151-00	FUSE (12V-15A)	2	
24	42X-82151-00	FUSE (12V-10A)	4	
25	341-26397-01	BAND	1	
26	90464-13080	CLAMP	1	

FIG. 46 ELECTRICAL 2

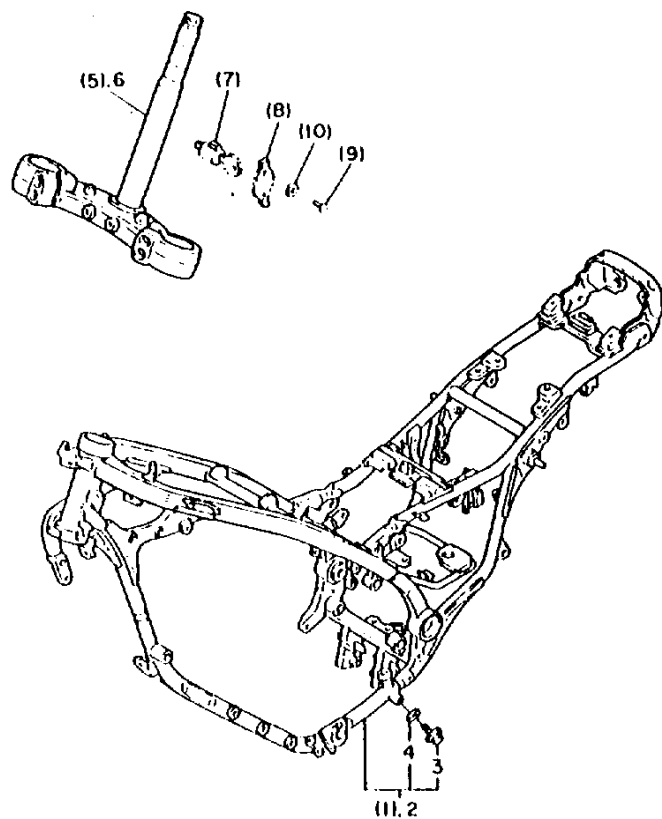


2J1300-7460

REF. NO.	PART NO.	DESCRIPTION	Q'TY	REMARKS
1	1AE-82540-00	NEUTRAL SWITCH ASSY	1	
2	93210-28198	O-RING	1	
3	92502-08018	SCREW, Pan head	2	
4	4H7-85720-01	OIL LEVEL GAUGE ASSY	1	
5	95026-08018	BOLT, flange	2	
6	1AE-82509-00	WIRE, sub lead	1	
7	47X-82560-00	THERMO SWITCH ASSY	1	
8	11H-83591-00	THERMO UNIT	1	
9	26H-83354-00	WIRE, earth lead	1	
10	98501-04008	SCREW, Pan head	1	
11	92902-04100	WASHER, sPring	1	
12	92901-04600	WASHER, Plate	1	
13	1UF-82530-00	STOP SWITCH ASSY	1	
14	33E-82588-00	SWITCH, side stand	1	
15	80152-05018	SCREW, countersunk	2	
16	4U8-81950-01	RELAY ASSY	1	for side stand
17	42H-85740-00	CDNTRDL UNIT ASSY	1	for fuel Pump
18	2AE-83371-00	HORN	1	
19	97313-08012	BOLT	1	
20	92990-08100	WASHER, sPring	1	
21	1UF-85752-00	SENDER UNIT ASSY, fuel meter	1	
22	42X-85753-00	GASKET, sender unit	1	
23	90149-06011	SCREW	2	
24	90202-06010	WASHER, Plate	2	
25	41R-83350-71	FLASHER RELAY ASSY	1	

FIG. 47 ALTERNATE (CHASSIS)

REF. NO.	PART NO.	DESCRIPTION	Q'TY	REMARKS
1	2JE-21110-00-33	FRAME COMP.	*	yamaha black
2	2JE-21110-10-33	*FRAME COMP.	1	yamaha black
3	97311-06008	*BOLT	1	
4	90430-06014	*GASKET	1	
5	2JE-23340-00	UNDER BRACKET COMP.	*	
6	1UF-23340-00	UNDER BRACKET COMP.	1	
7	4E7-23482-11	BODY & KEY, steering lock	*	
8	134-23484-10	CAP, handle lock	*	
9	90269-04003	RIVET	*	
10	90208-04029	WASHER, conical spring	*	



2JE300-7470

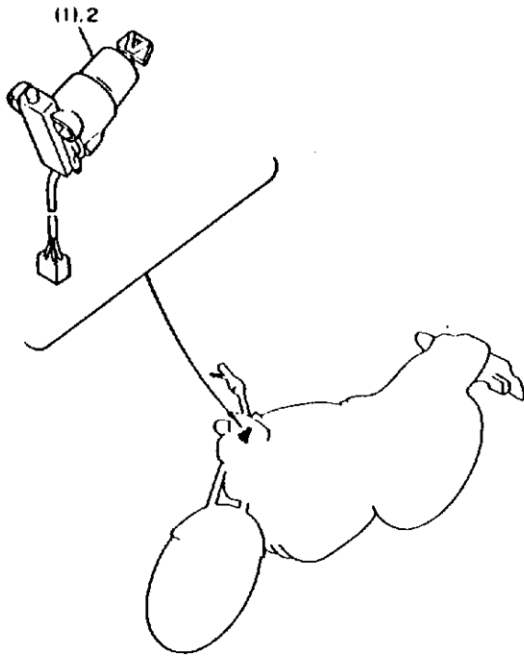
* For Convenience of reference:

Disregard the items asterisked (*) in the "QTY" column. These are intended for GENERAL SPEC, and NOT for INDIVIDUAL SPEC.

F10

FIG. 48 ALTERNATE (ELECTRICAL)

REF. NO.	PART NO.	DESCRIPTION	Q'TY	REMARKS
1	2JE-82510-00	MAIN SWITCH ASSY	*	
2	2AK-82501-00	MAIN SWITCH STEERING LOCK	1	



2JE300-7480

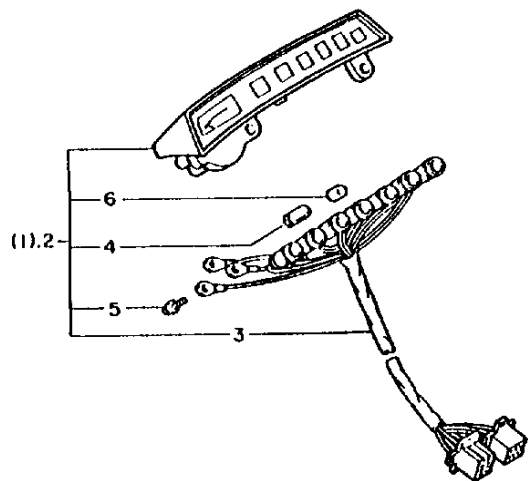
* For Convenience of reference:

Disregard the items asterisked (*) in the "QTY" column. These are intended for GENERAL SPEC, and NOT for INDIVIDUAL SPEC.

F11

FIG. 49 ALTERNATE (ELECTRICAL)

REF. NO.	PART NO.	DESCRIPTION	Q'TY	REMARKS
1	1UF-83530-00	PILOT LIGHT ASSY	*	
2	2JE-83530-00	PILOT LIGHT ASSY	1	LM
3	1UF-83520-00	.SOCKET CORD ASSY	1	
4	42X-83617-00	.BULB (12V-3W)	6	
5	90159-03102	.SCREW, with washer	3	
6	1FK-83535-00	.TUBE	1	



F13

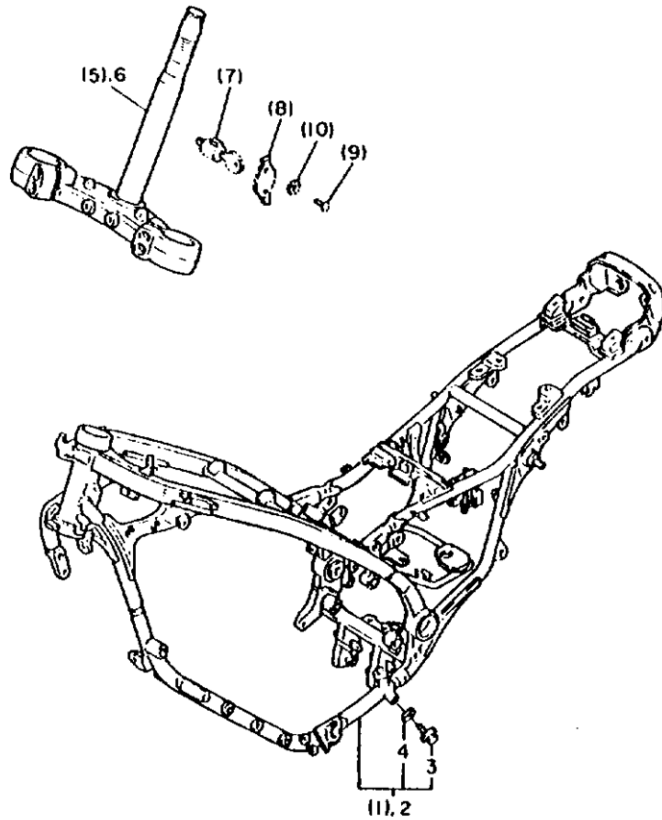
2JE300-7490

* For Convenience of reference:

Disregard the items asterisked (*) in the "QTY" column. These are intended for GENERAL SPEC, and NOT for INDIVIDUAL SPEC.

F13

FIG. 50 ALTERNATE (CHASSIS)



REF. NO.	PART NO.	DESCRIPTION	Q'TY	REMARKS
1	2JE-21110-00-33	FRAME COMP.	*	yamaha black
2	2JE-21110-10-33	FRAME COMP.	1	yamaha black
3	97311-06008	*BOLT	1	
4	90430-06014	*GASKET	1	
5	2JE-23340-00	UNDER BRACKET COMP.	*	
6	1UF-23340-00	UNDER BRACKET COMP.	1	
7	4E7-23482-11	BODY & KEY, steering lock	*	
8	134-23484-10	CAP, handle lock	*	
9	90269-04003	RIVET	*	
10	90208-04029	WASHER, conical spring	*	



2JE300-7470

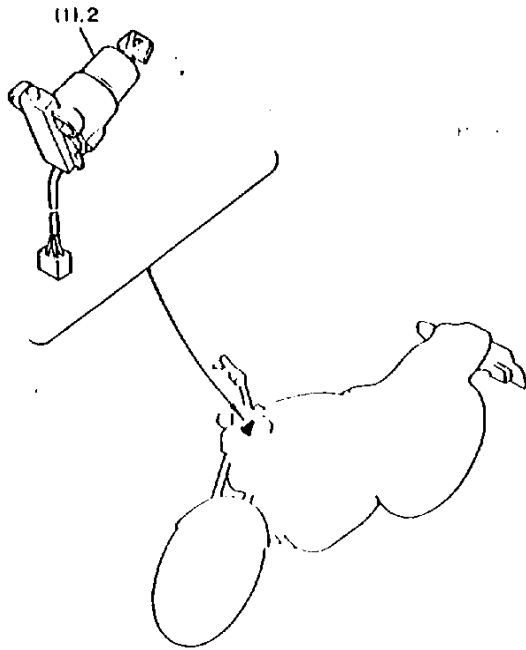
* For Convenience of reference:

Disregard the items asterisked (*) in the "QTY" column. These are intended for GENERAL SPEC, and NOT for INDIVIDUAL SPEC.

F15

FIG. 51 ALTERNATE (ELECTRICAL)

REF. NO.	PART NO.	DESCRIPTION	Q'TY	REMARKS
1	2JE-82510-00	MAIN SWITCH ASSY	*	
2	2AK-82501-00	MAIN SWITCH STEERING LOCK	1	



2JE300-7480

* For Convenience of reference:

Disregard the items asterisked (*) in the "QTY" column. These are intended for GENERAL SPEC, and NOT for INDIVIDUAL SPEC.

G2