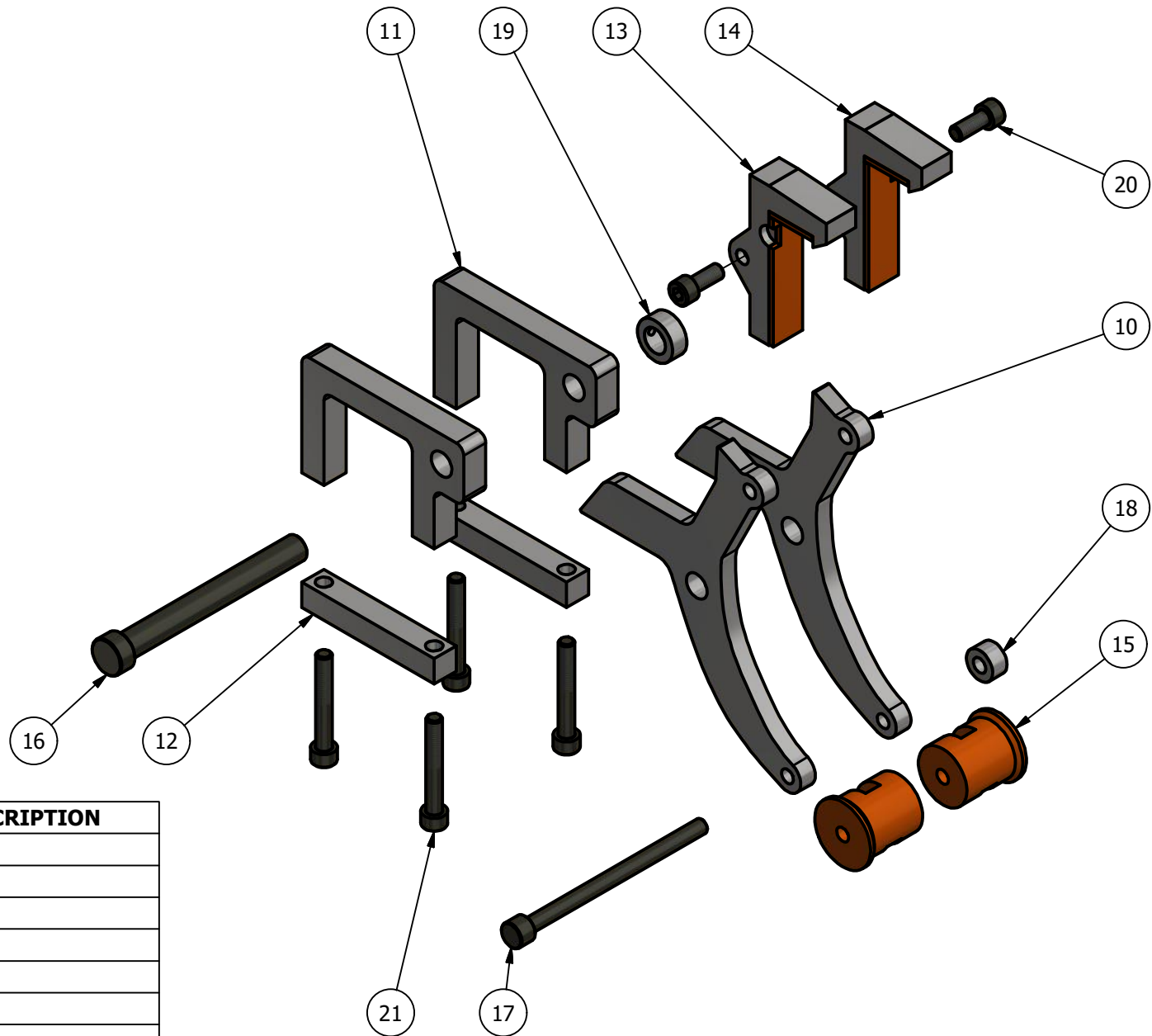
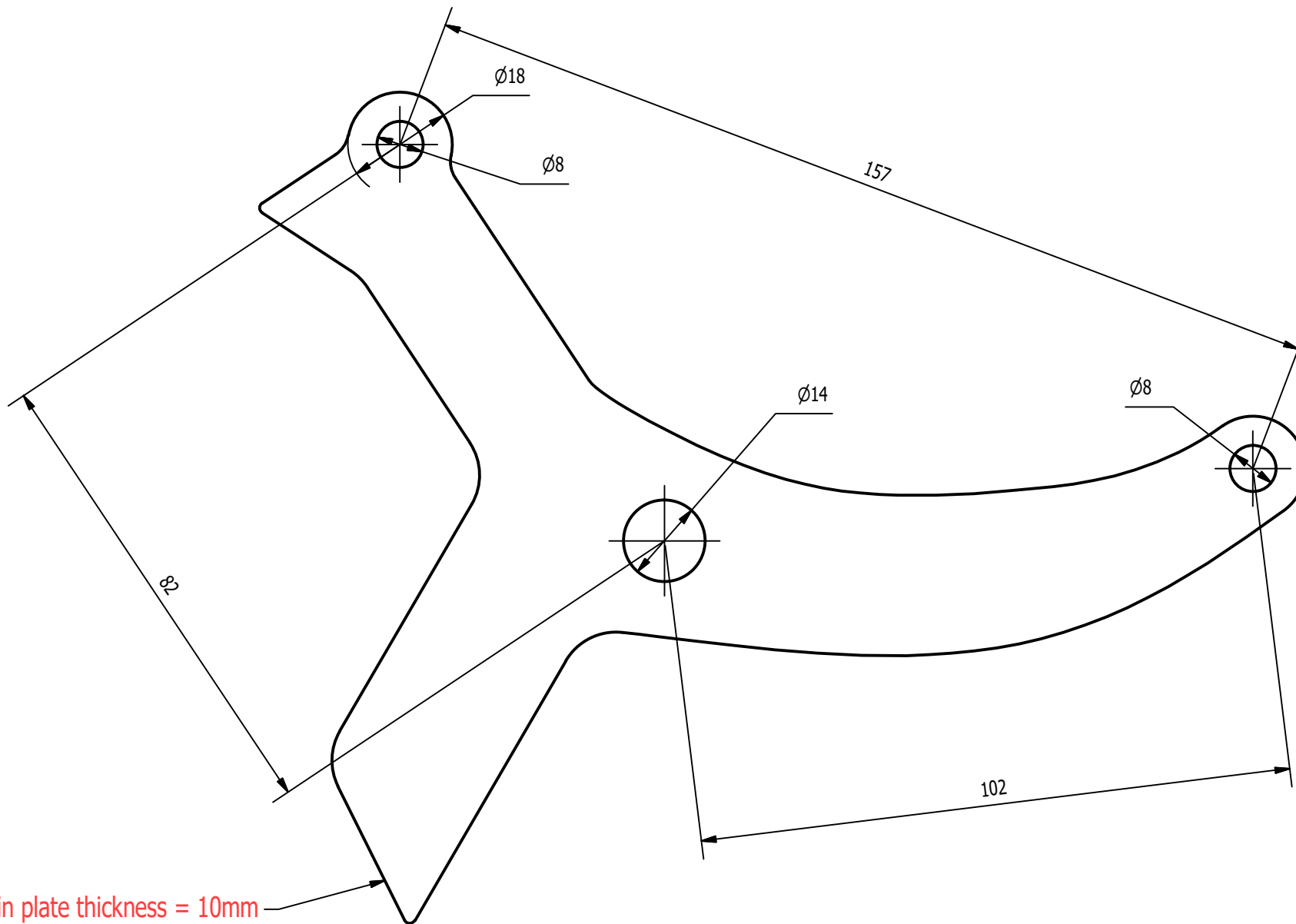


Designed by Dotharth	ArcheryTalk	Date 06-01-17	
<b>Ultra Lock Adapter</b>		Mass n/a	Material n/a
General view		Scale	Sheet 1 / 8



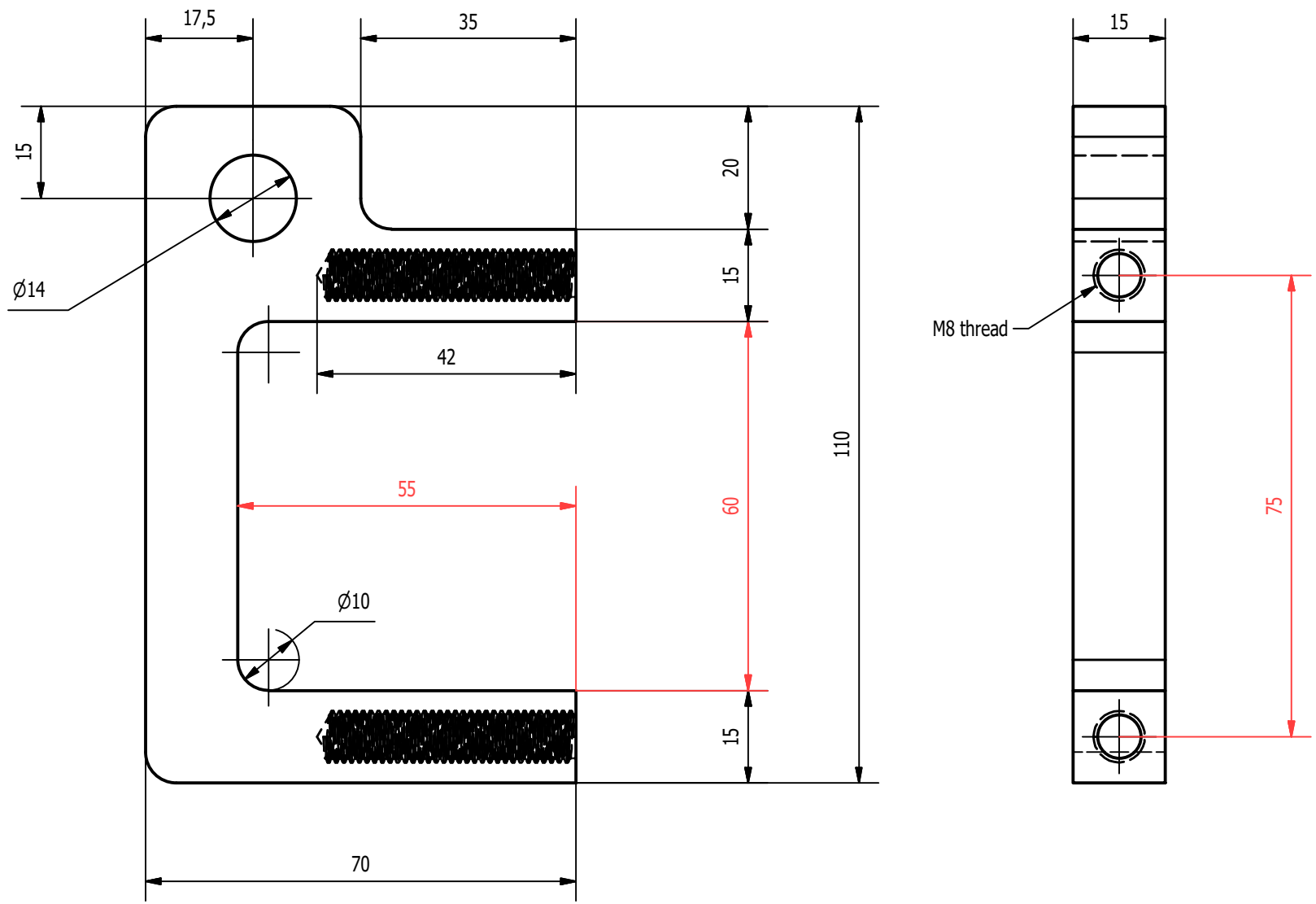
ITEM	QTY	PART NUMBER	DESCRIPTION
10	2	Main plate	
11	2	Support bracket	
12	2	Support bracket 2	
13	1	Finger_right	
14	1	Finger_left	
15	2	Roller	
16	1	Axle M14	
17	1	Axle M8	
18	1	Locking ring M8	
19	1	Locking ring M14	
20	2	DIN 912 - M8 x 20	Cylinder Head Cap Screw
21	4	DIN 912 - M8 x 55	Cylinder Head Cap Screw

Designed by Dotharth	ArcheryTalk		Date 06-01-17
<b>Ultra Lock Adapter</b>			Mass n/a
Exploded view			Material n/a
			Scale 1 : 3
			Sheet 2 / 8



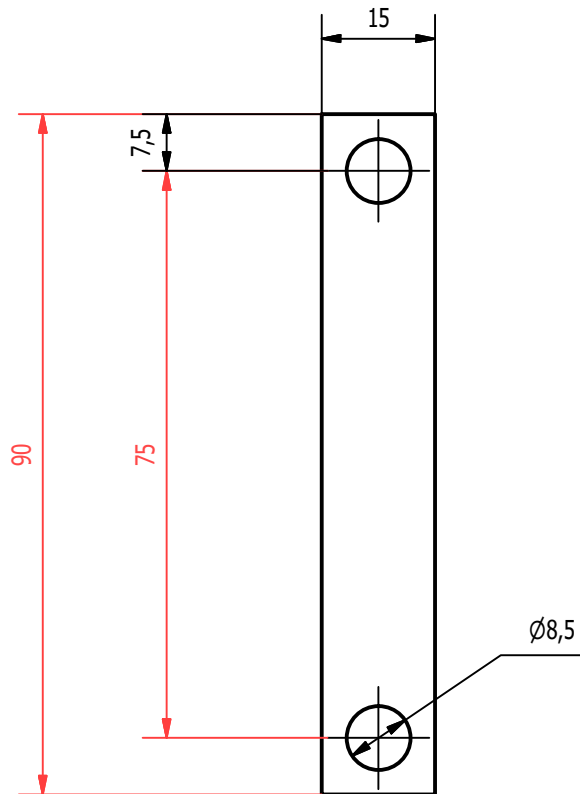
Shape of the Main plate doesn't matter much as long as the distance between the 3 holes are kept the same.  
 You can print this page to scale (A4 sheet) and use the drawing as a template to cut the steel.

Designed by Dotharth	ArcheryTalk	Date 06-01-17
<b>Ultra Lock Adapter</b>		Mass 0,5 kg
Main plate		Material Steel, Mild
		Scale 1 : 1
		Sheet 3 / 8



**Red dimensions** : Adjust these dimensions to the size of the square tube of your bow press

Designed by Dotharth	ArcheryTalk		Date 06-01-17
<b>Ultra Lock Adapter</b>		Mass 0,4 kg	Material Steel, Mild
Support bracket		Scale 1 : 1	Sheet 4 / 8
Support bracket.ipt			

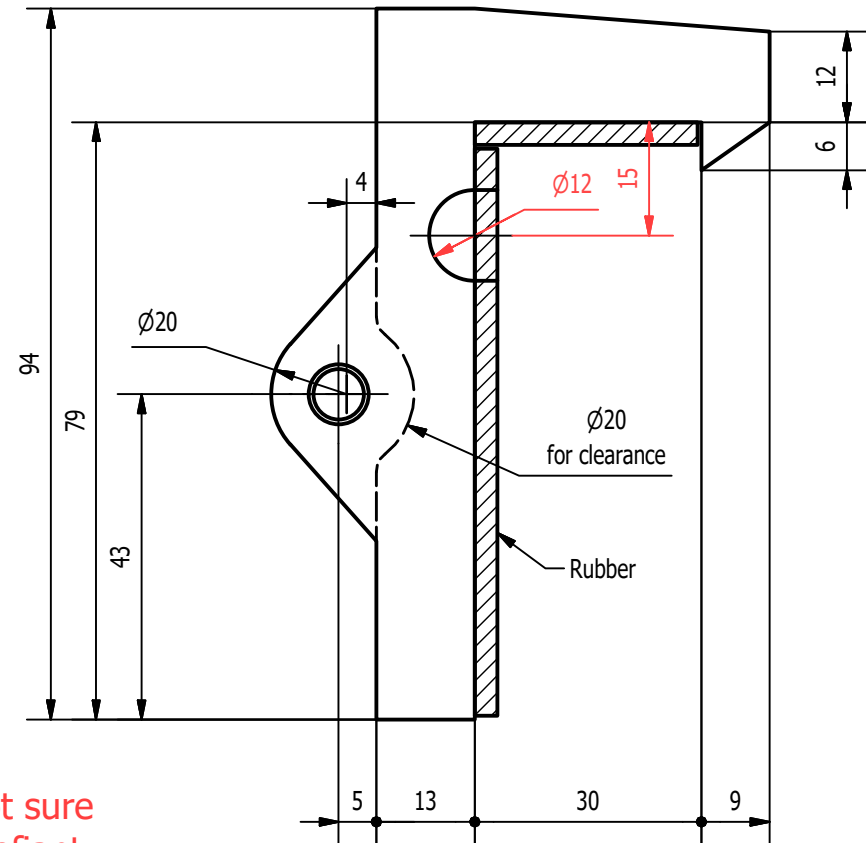
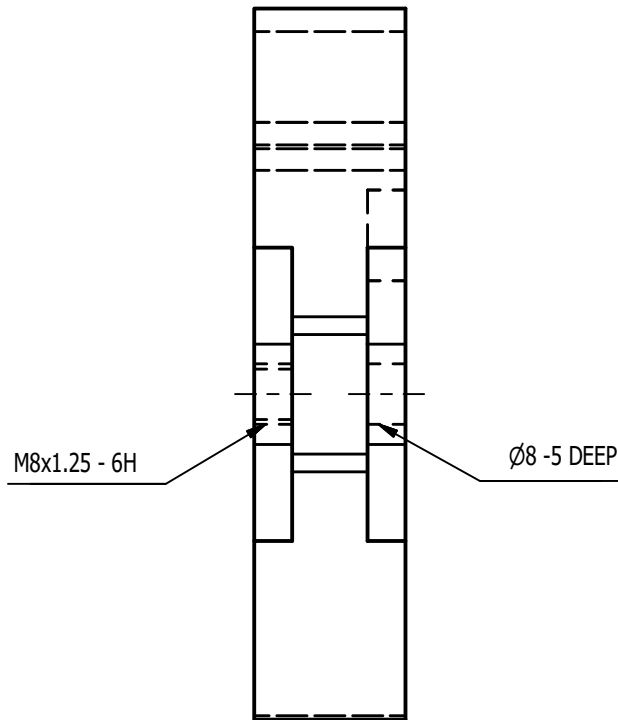
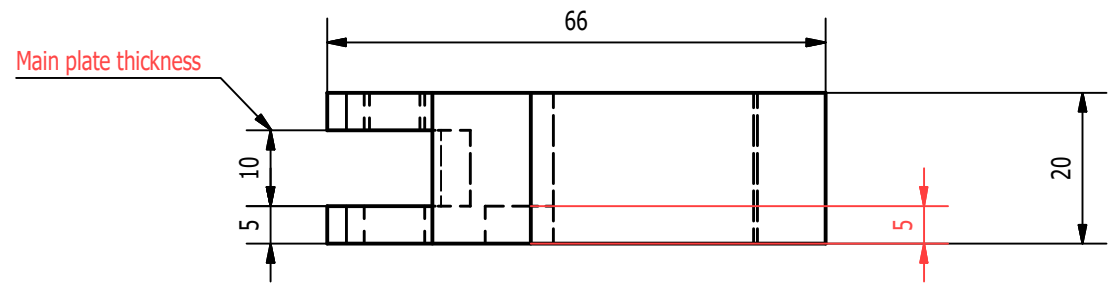


Make sure to match the dimensions of the **Support bracket**

Designed by Dotharth	ArcheryTalk		Date 06-01-17
<b>Ultra Lock Adapter</b>		Mass 0,1 kg	Material Steel, Mild
Support bracket 2		Scale 1 : 1	Sheet 5 / 8

Support bracket 2.ipt

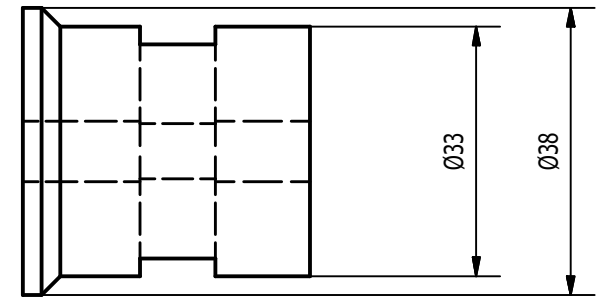
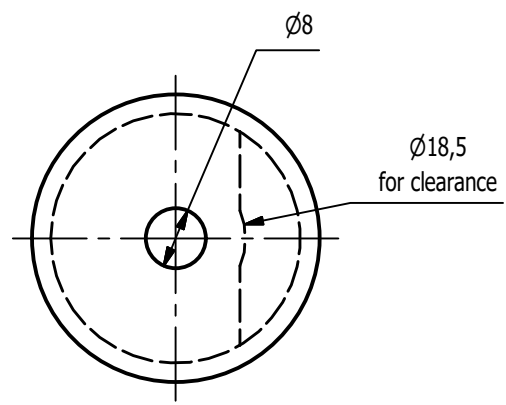
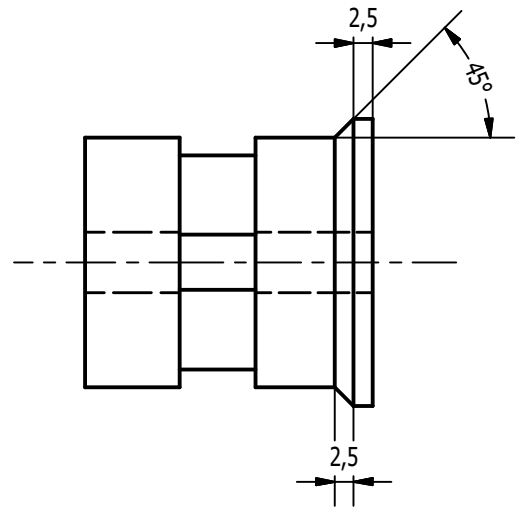
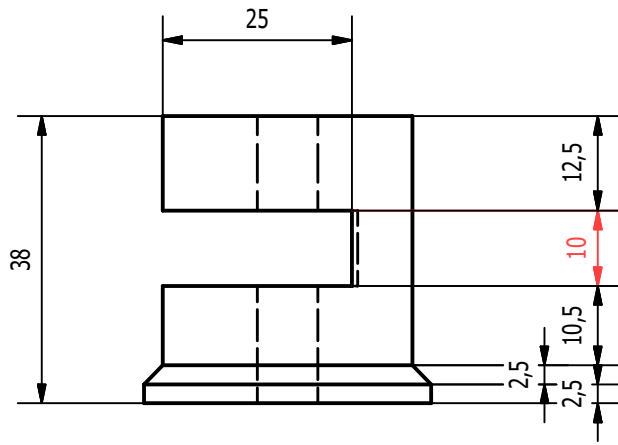
This is the drawing for the RIGHT finger.  
 For the LEFT one, do not forget to inverse the  
 two holes location (threaded M8 hole and  $\text{\O}8$   
 clearance hole) and the yoke peg feature.



**Red dimensions** : Clearance feature for the yoke peg. I'm not sure  
 of what size it is and where to locate it since I do not own a Defiant  
 bow yet. This feature is needed since I used 20mm thickness for the  
 finger (original LCA thickness is about 15mm and doesn't need this  
 feature).

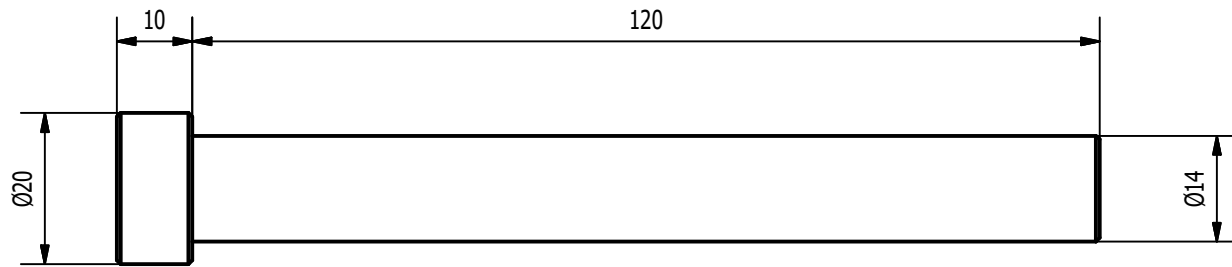
If you plan to use 15mm thickness for the fingers, you'll need to use  
 7-8mm **Main plate** thickness instead of 10mm.

Designed by Dotharth	ArcheryTalk		Date 06-01-17
<b>Ultra Lock Adapter</b>		Mass 0.3 kg	Material Steel, Mild
Finger_right		Scale 1 : 1	Sheet 6 / 8

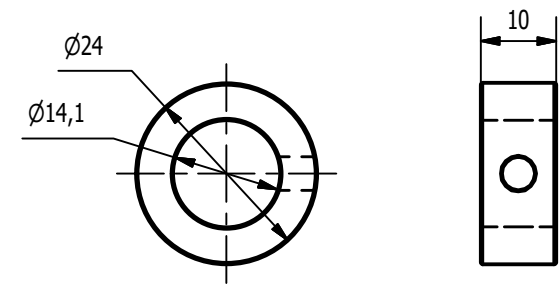


Designed by Dotharth	ArcheryTalk	Date 06-01-17
<b>Ultra Lock Adapter</b>		Mass 0,0 kg
Roller		Material Nylon 6/6
		Scale 1 : 1
		Sheet 7 / 8

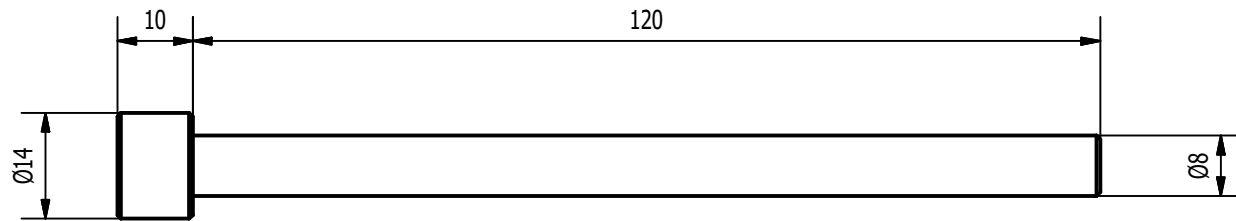
Roller.ipt



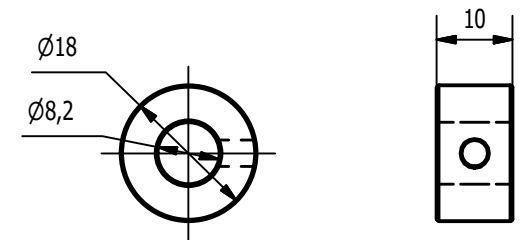
Axle Ø14



Locking ring Ø14



Axle Ø8



Locking ring Ø8

Designed by Dotharth	ArcheryTalk	Date 06-01-17
<b>Ultra Lock Adapter</b>		Mass 0,2 kg
Axle M14		Material Steel, Mild
		Scale 1 : 1
		Sheet 8 / 8