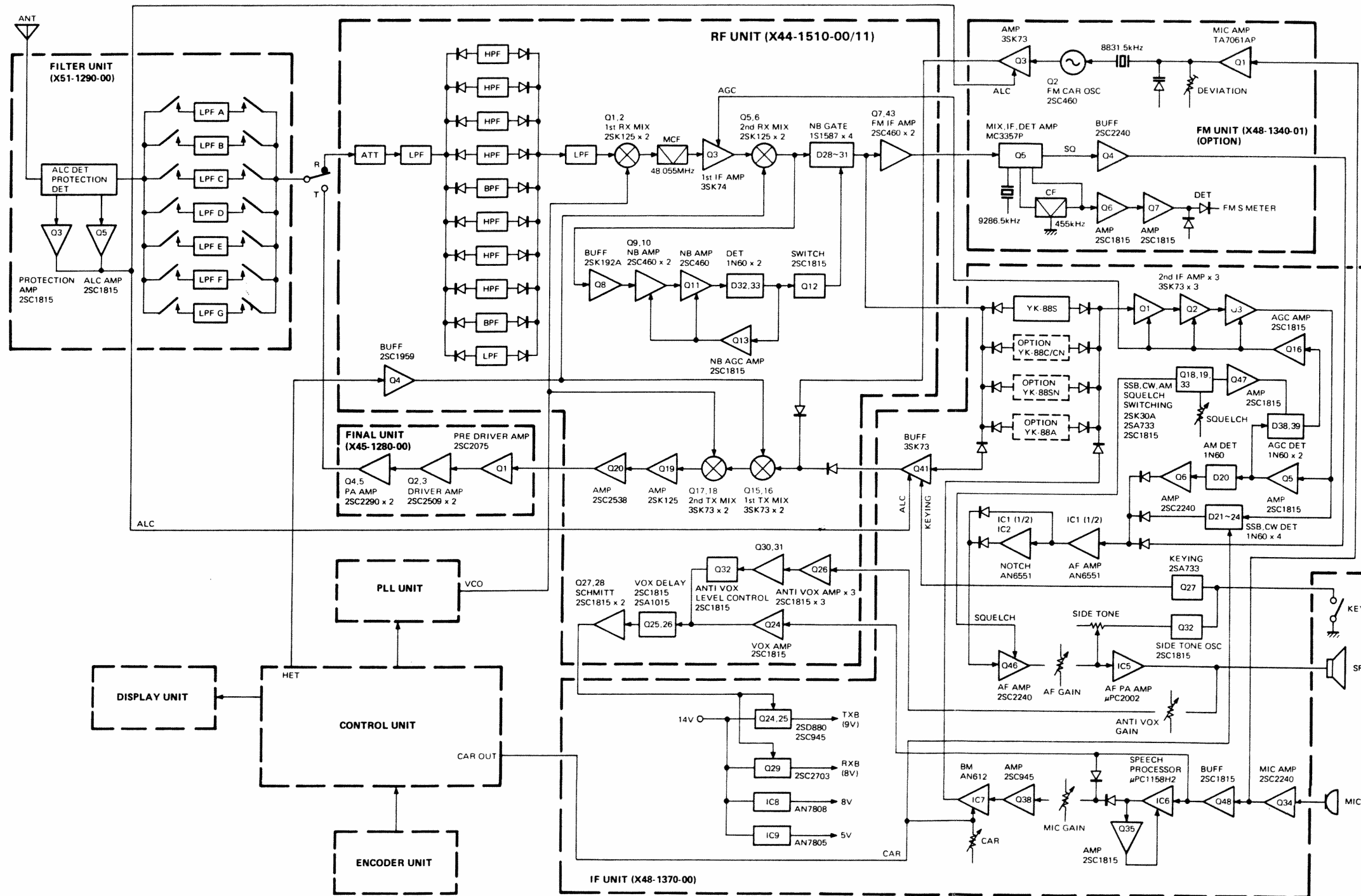
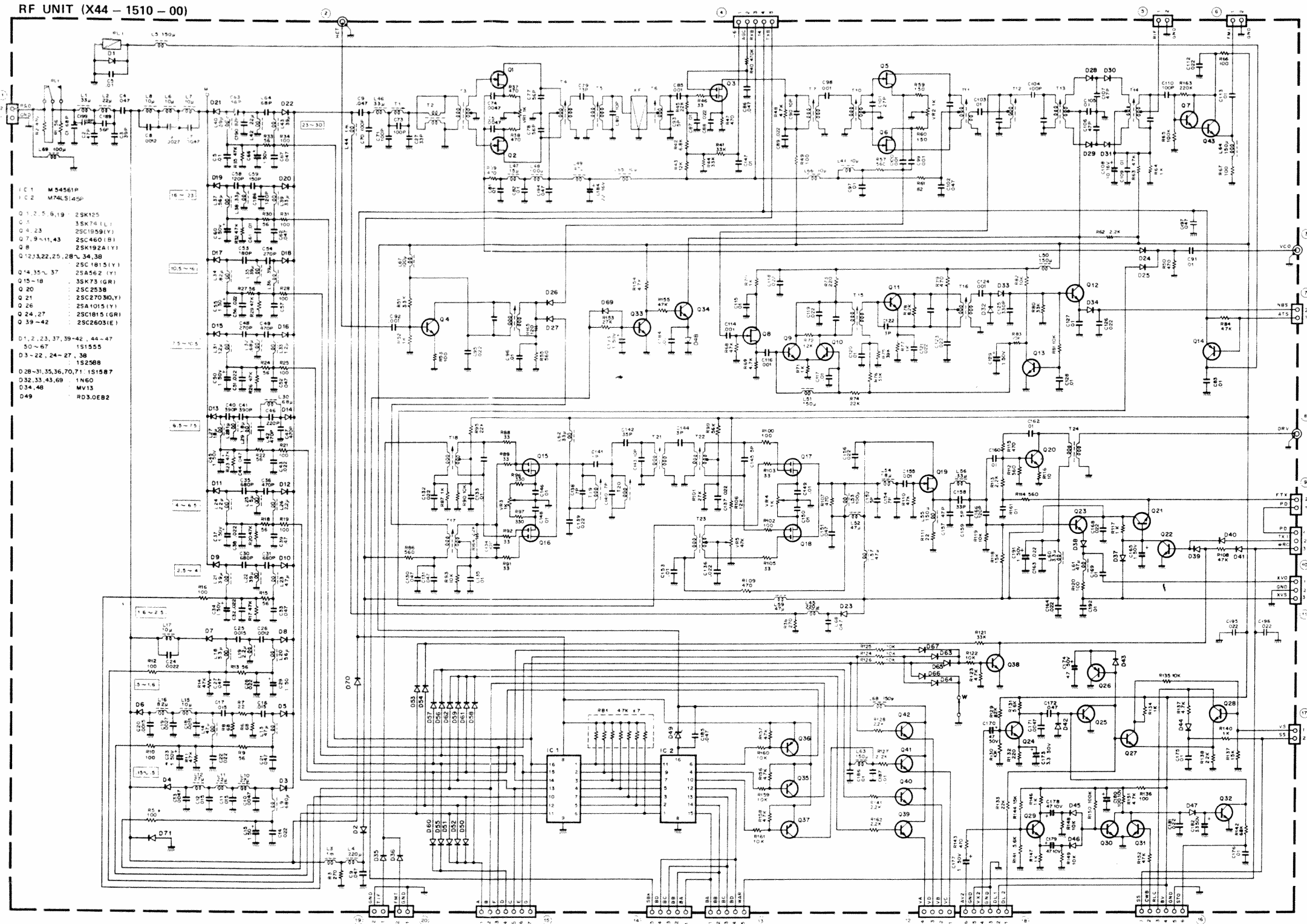


KENWOOD TS-430S

Downloaded by
RadioAmateur.EU

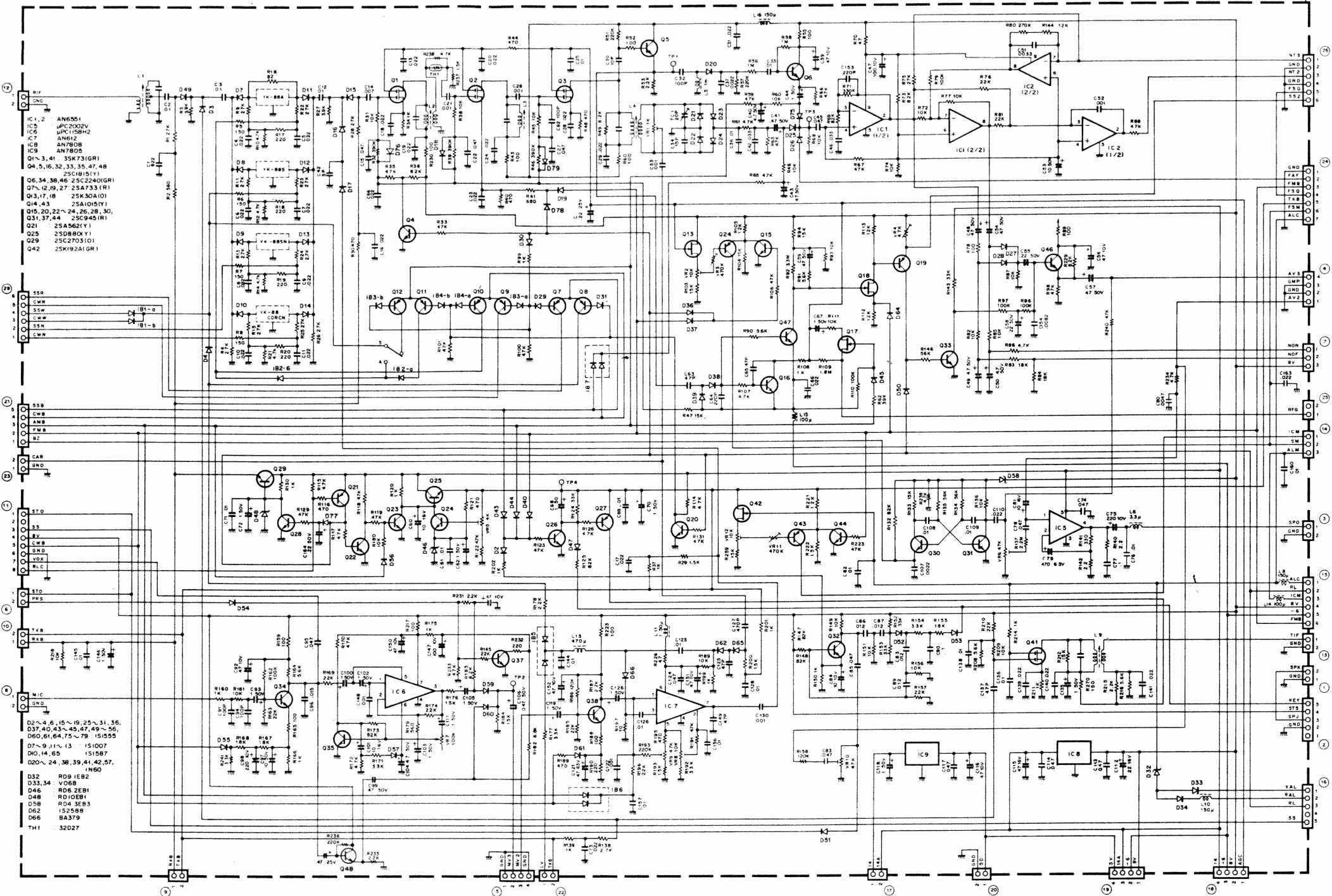


BLOCK DIAGRAM



RF UNIT (X44 - 1510 - 00)

- IC 1 M 54561P
- IC 2 M 74LS45P
- Q 1, 2, 5, 6, 19 2SK125
- Q 3 3SK74(L)
- Q 4, 23 2SC1959(Y)
- Q 7, 9-11, 43 2SC460(B)
- Q 8 2SA192A(Y)
- Q 12, 22, 25, 28, 34, 38 2SC1815(Y)
- Q 14, 35, 37 2SA562(Y)
- Q 15-18 3SK73(GR)
- Q 20 2SC2538
- Q 24 2SC2703(G,Y)
- Q 26 2SA1015(Y)
- Q 24, 27 2SC1815(GR)
- Q 39-42 2SC2603(E)
- D 1, 2, 23, 37, 39-42, 44-47 1S1555
- D 3-22, 24-27, 38 1S2588
- D 28-31, 35, 36, 70, 71 1S1587
- D 32, 33, 43, 69 N60
- D 34, 48 MV13
- D 49 R03.0E82



- IC 1, 2 AN6501
- IC 3 UPC2002V
- IC 6 UPT158H2
- IC 7 AN612
- IC 8 AN7805
- IC 9 AN7805
- Q1, 3, 41 2SK751GR1
- Q4, 5, 16, 32, 33, 35, 47, 48 2SC1815(Y)
- Q6, 34, 38, 46 2SC2240GR1
- Q7, 12, 19, 27 2SA733(R)
- Q3, 17, 18 2SK30A(O)
- Q4, 43 2SA1051(Y)
- Q5, 20, 22, 24, 26, 28, 30, 31, 37, 44 2SC945(R)
- Q21 2SA962(Y)
- Q25 2SD880(Y)
- Q29 2SC2703(O)
- Q42 2SK192A1GR1

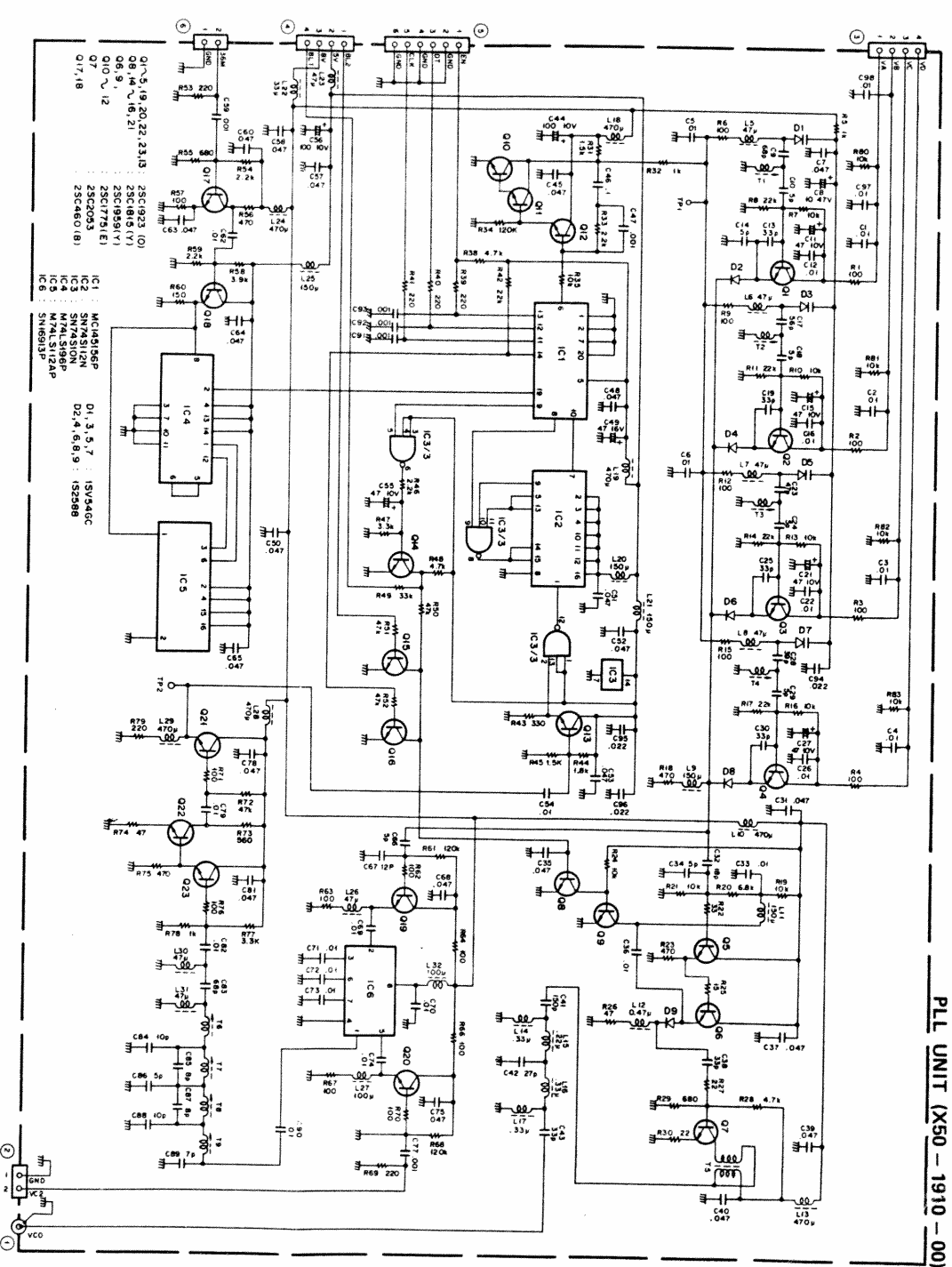
- R3R
- R4R
- R5R
- R6R
- R7R
- R8R
- R9R
- R10R
- R11R
- R12R
- R13R
- R14R
- R15R
- R16R
- R17R
- R18R
- R19R
- R20R
- R21R
- R22R
- R23R
- R24R
- R25R
- R26R
- R27R
- R28R
- R29R
- R30R
- R31R
- R32R
- R33R
- R34R
- R35R
- R36R
- R37R
- R38R
- R39R
- R40R
- R41R
- R42R
- R43R
- R44R
- R45R
- R46R
- R47R
- R48R
- R49R
- R50R
- R51R
- R52R
- R53R
- R54R
- R55R
- R56R
- R57R
- R58R
- R59R
- R60R
- R61R
- R62R
- R63R
- R64R
- R65R
- R66R
- R67R
- R68R
- R69R
- R70R
- R71R
- R72R
- R73R
- R74R
- R75R
- R76R
- R77R
- R78R
- R79R
- R80R
- R81R
- R82R
- R83R
- R84R
- R85R
- R86R
- R87R
- R88R
- R89R
- R90R
- R91R
- R92R
- R93R
- R94R
- R95R
- R96R
- R97R
- R98R
- R99R
- R100R

- C1
- C2
- C3
- C4
- C5
- C6
- C7
- C8
- C9
- C10
- C11
- C12
- C13
- C14
- C15
- C16
- C17
- C18
- C19
- C20
- C21
- C22
- C23
- C24
- C25
- C26
- C27
- C28
- C29
- C30
- C31
- C32
- C33
- C34
- C35
- C36
- C37
- C38
- C39
- C40
- C41
- C42
- C43
- C44
- C45
- C46
- C47
- C48
- C49
- C50
- C51
- C52
- C53
- C54
- C55
- C56
- C57
- C58
- C59
- C60
- C61
- C62
- C63
- C64
- C65
- C66
- C67
- C68
- C69
- C70
- C71
- C72
- C73
- C74
- C75
- C76
- C77
- C78
- C79
- C80
- C81
- C82
- C83
- C84
- C85
- C86
- C87
- C88
- C89
- C90
- C91
- C92
- C93
- C94
- C95
- C96
- C97
- C98
- C99
- C100

- D1
- D2
- D3
- D4
- D5
- D6
- D7
- D8
- D9
- D10
- D11
- D12
- D13
- D14
- D15
- D16
- D17
- D18
- D19
- D20
- D21
- D22
- D23
- D24
- D25
- D26
- D27
- D28
- D29
- D30
- D31
- D32
- D33
- D34
- D35
- D36
- D37
- D38
- D39
- D40
- D41
- D42
- D43
- D44
- D45
- D46
- D47
- D48
- D49
- D50
- D51
- D52
- D53
- D54
- D55
- D56
- D57
- D58
- D59
- D60
- D61
- D62
- D63
- D64
- D65
- D66
- D67
- D68
- D69
- D70
- D71
- D72
- D73
- D74
- D75
- D76
- D77
- D78
- D79
- D80
- D81
- D82
- D83
- D84
- D85
- D86
- D87
- D88
- D89
- D90
- D91
- D92
- D93
- D94
- D95
- D96
- D97
- D98
- D99
- D100

- TH1 32027

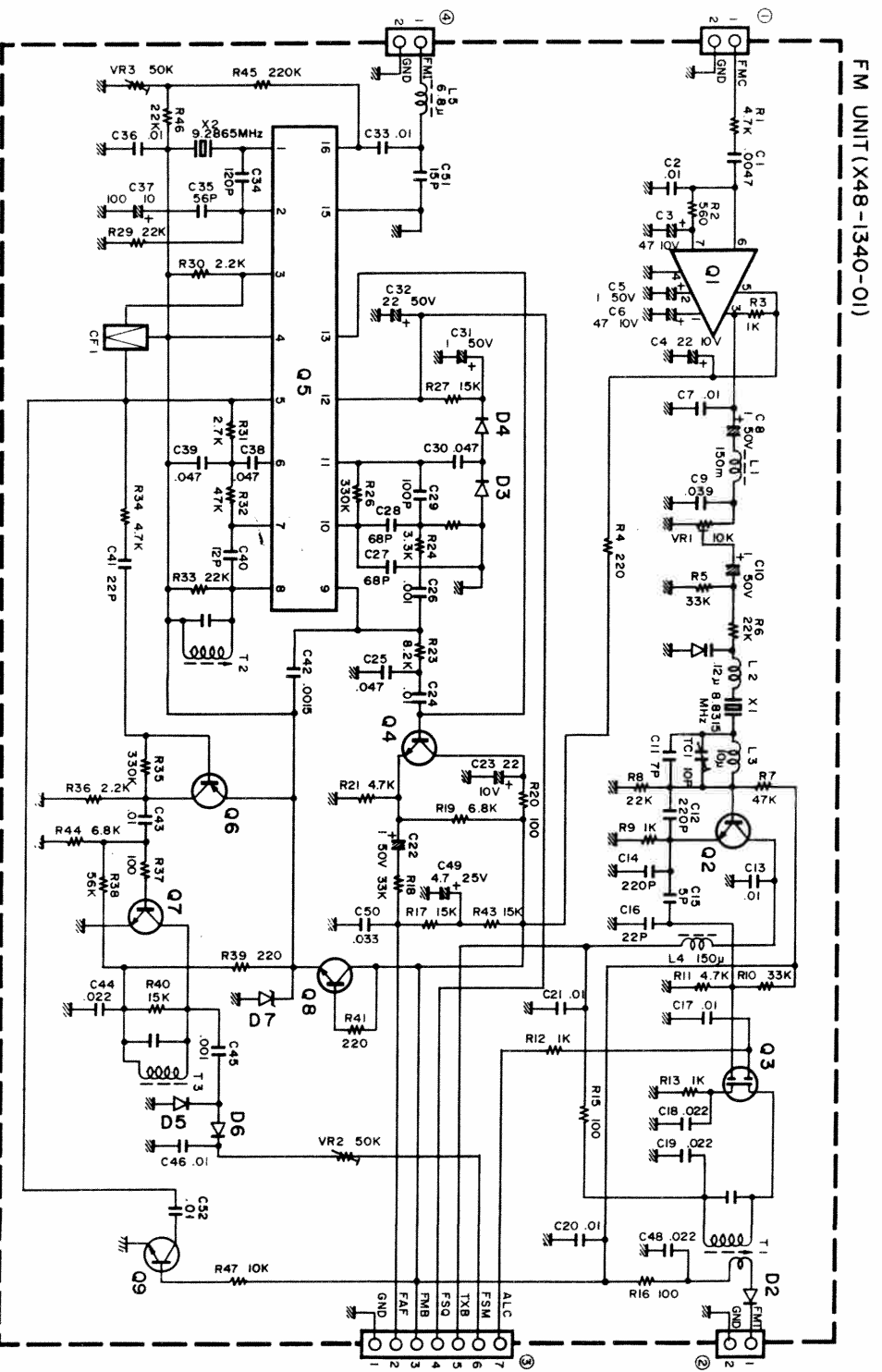
Downloaded by
RadioAmateur.EU



TS-430S PLL UNIT (X50-1910-00)

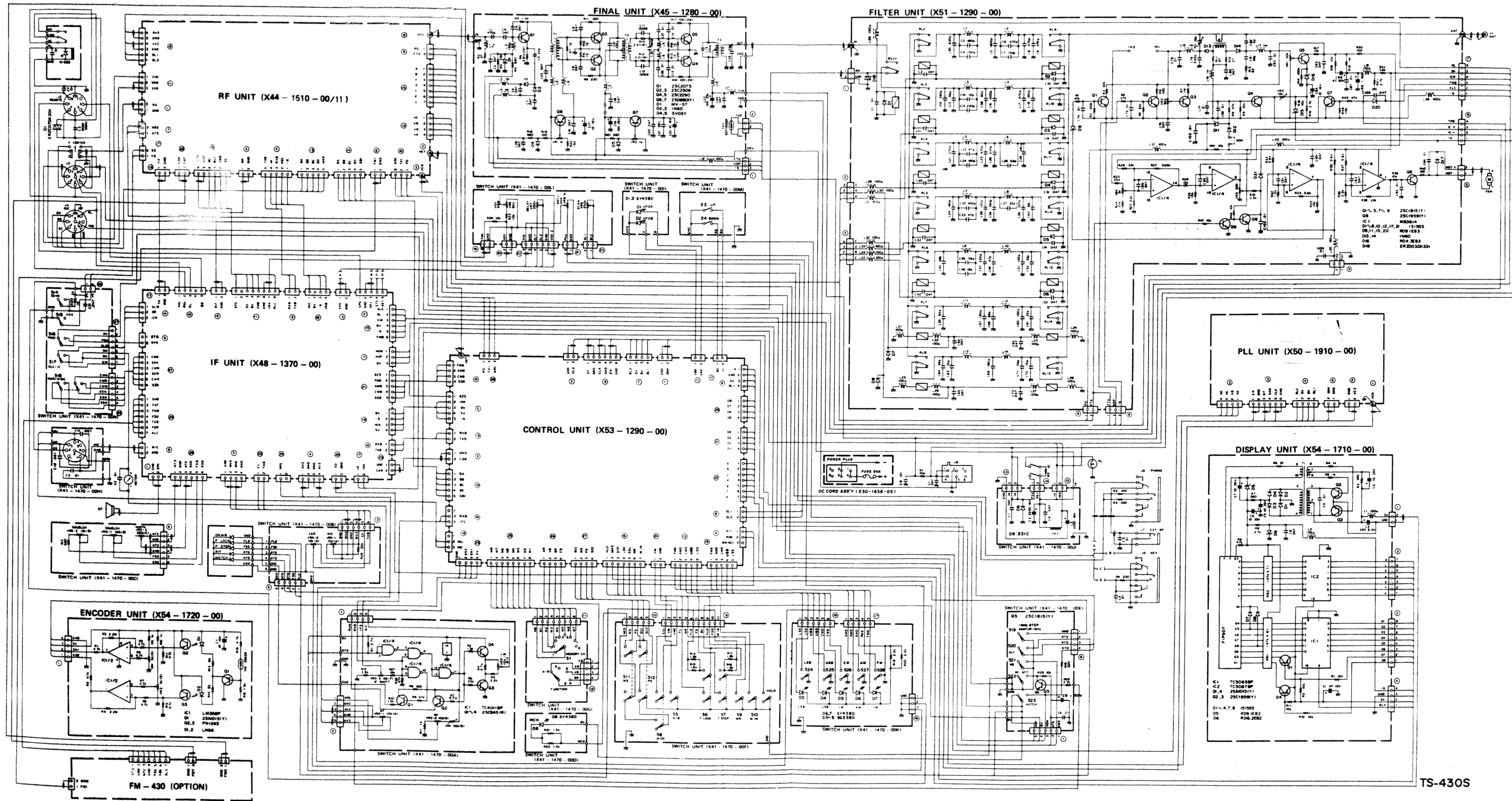
PLL UNIT (X50-1910-00)

FM-430 (OPTION)



FM UNIT (X48-1340-01)

TS-430S SCHEMATIC DIAGRAM



TS-430S

Downloaded by
RadioAmateur.EU

TS-430S SCHEMATIC DIAGRAM

Downloaded by
RadioAmateur.EU

