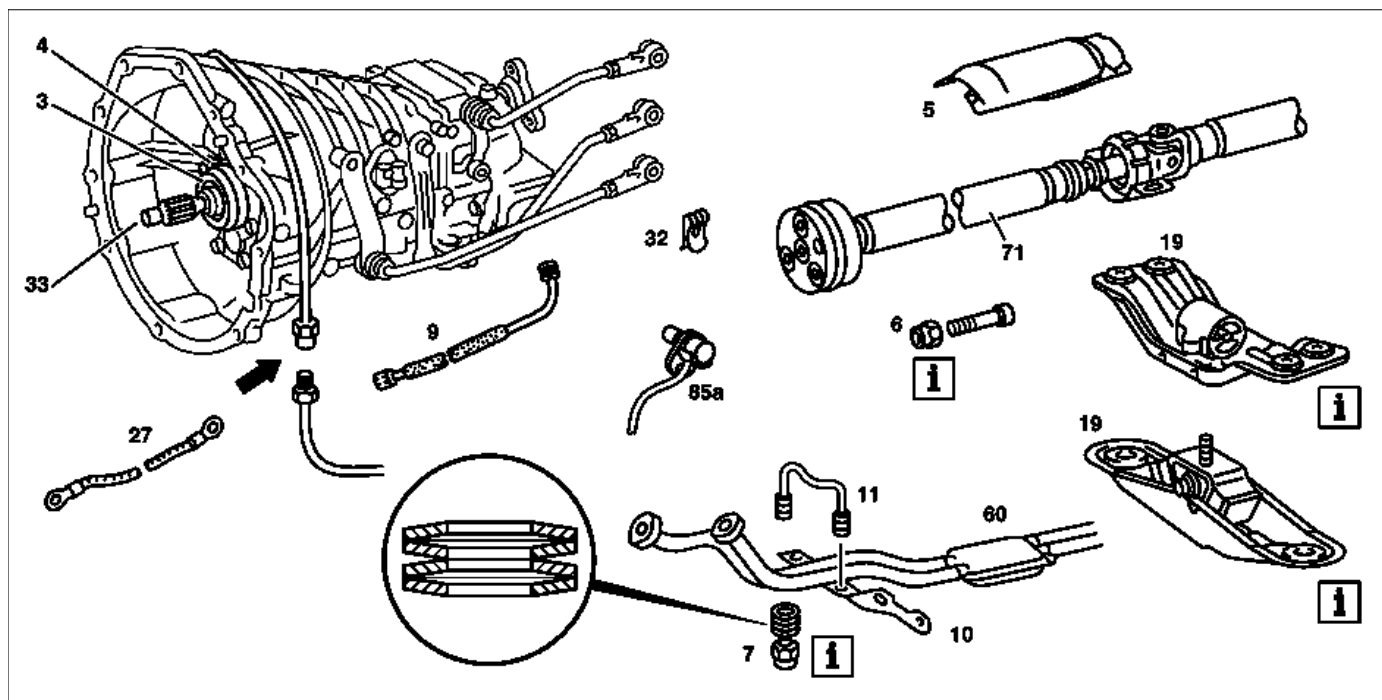


TRANSMISSION 717.41 /43 /44 /46 (except , 717.448 /449)



P26.10-0209-09

- | | | |
|-------------------|-------------------------------------|-----------------------------------|
| 3 Release bearing | 9 Speedometer shaft | 32 Clip catch |
| 4 Release fork | 10 Exhaust bracket | 33 Splined profile of drive shaft |
| 5 Shield | 11 U-bracket | 60 Exhaust system |
| 6 Hexagon nut | 19 Engine support with engine mount | 71 Front propeller shaft |
| 7 Hexagon nut | 27 Ground strap | 85a Inductive sensor |

Remove/install		
1	Disconnect/connect battery ground line Disconnect ground cable from battery	Model 129, 163, 168, 170, 202, 208, 210 Model 140
2	Remove engine support with engine mount (19)	i Support transmission beforehand
3	Remove exhaust bracket (10) and U-bracket (11)	! Replace self-locking nuts (7).
4	Remove shield (5)	
5	Unbolt front propeller shaft (71)	! Replace self-locking nuts (6). Model 140 Model 170, 202, 208 Model 210 Model 124, 126 Model 129 Type 201
6	Unhook exhaust system (60) at the rear hanger	i Detach using a V-belt
7	Unscrew speedometer shaft (9) and/or inductive sensor (85a)	
! Danger!	Risk of poisoning caused by swallowing brake fluid. Risk of injury caused by brake fluid coming into contact with skin and eyes.	Only pour brake fluid into suitable and appropriately marked containers. Wear protective clothing and eye protection when handling brake fluid.
8	Disconnect line connection (arrow) for clutch actuation Brake fluid notes	All models
!	Remove clip catches (32) and unhook shift rods	
10	Unscrew ground strap (27) from transmission	
11	Remove transmission from engine block	i Remove transmission downwards at an incline
12	Lightly grease splined profile of drive shaft (33)	i Vehicles without two-mass flywheel
13	Check pressure bearing (3), clutch release fork (4) and grooved ball bearing of crankshaft	
14	Install in the reverse order	

15	Inspect transmission oil level	i Correct oil level=bottom edge of filler opening	*BF26.10-P-1001-01A
16	Bleed clutch operating system		AR25.20-P-0070A

Transmission complete

Number	Designation	Transmission 717.4	
BF26.10-P-1001-01A	Gear oil	Filling capacity	Liters 1.5
		Specifications for	Sheet BB00.40-P-0235-10A
		Operating Fluids	Sheet BB00.40-P-0236-02A
			Sheet BB00.40-P-0236-06A