

REP-REP-RAE9154-5413080 REP-REP-RAE9154-5413080 - Removing and installing complete glass slide/tilt sunroof - V.6, Č. podvozku:: XXXXXXXX

Stav systému ISTA	4.27.22.22497	Stav dat	R4.27.22	Naprogramovaná data	-
Č. podvozku:	XXXXXXX	Vozidlo:	3'/E91/SPORTS WAGON/330d/M57,-/AUT/ECE/LL/2007/06		
I Stup. výrobní	-	I Stup. (souč.)	-	I Stup. (cíl)	-
Celková ujetá vzdálenost	-				

54 13 080

Removing and installing complete glass slide/tilt sunroof

Special tools required:

- [54 1 110](#)



Necessary preliminary tasks:

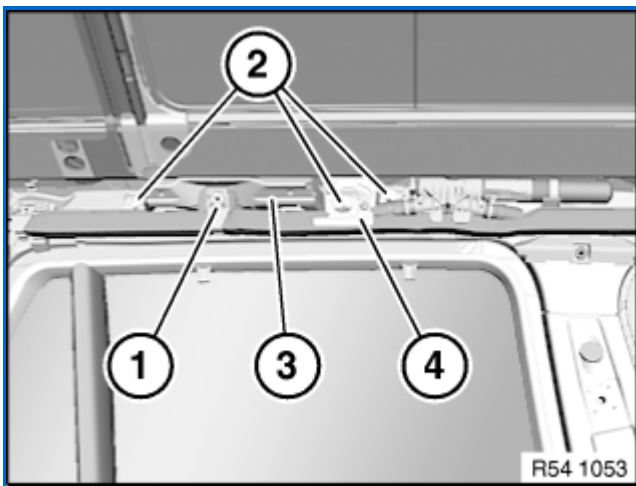
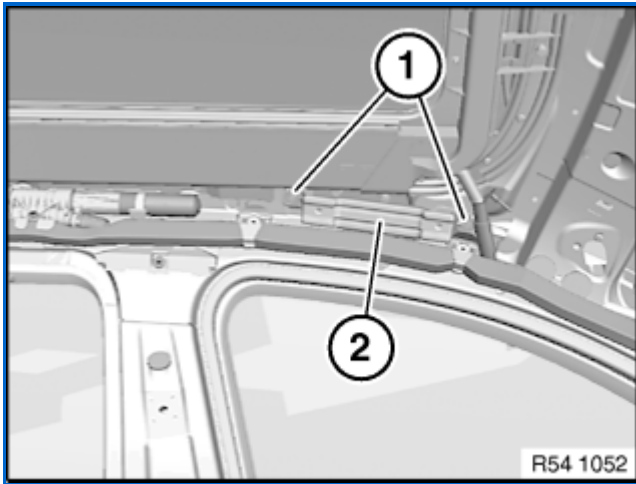
- Remove [roofliner](#)
- Partially remove [head airbag](#)
- Open tailgate

Important!

Two persons are required to help in removing the glass slide/tilt sunroof.

Remove holder for grab handle at front:

- Unscrew screws (1).
Tightening torque: [51 71 07AZ](#).
- Remove holder (2).



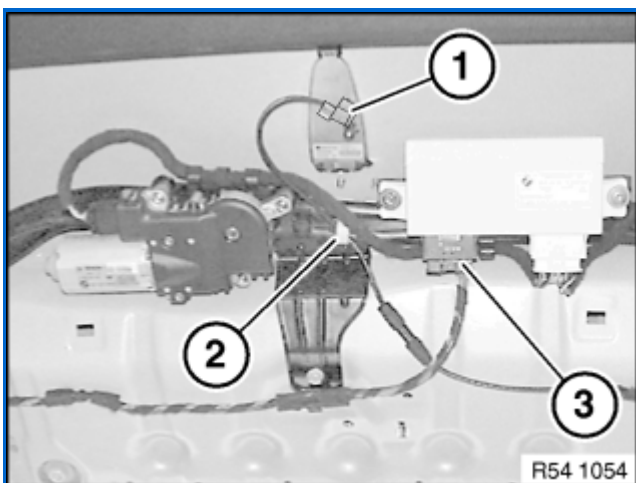
Remove holder for grab handle at rear:

- Release screw (1) from holder for airbag folding pack
Tightening torque: [72 12 04AZ](#).
- Unscrew screws (2).
- Remove holder (3) and suspension (4) for dividing net



Important!

Read and comply with notes on [protection against electrostatic discharge \(ESD protection\)](#).



Close floating roofliner until roof-mounted aerial is accessible.

Unfasten plug connection (1) and disconnect.

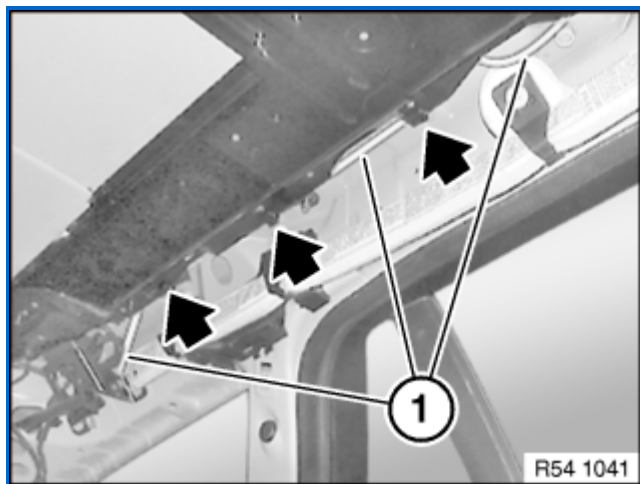
Unclip Omega cable clip (2).

Unlock and disconnect plug connection (3) at control unit.

Installation note:

[Initialise](#) glass slide/tilt sunroof.

Important!

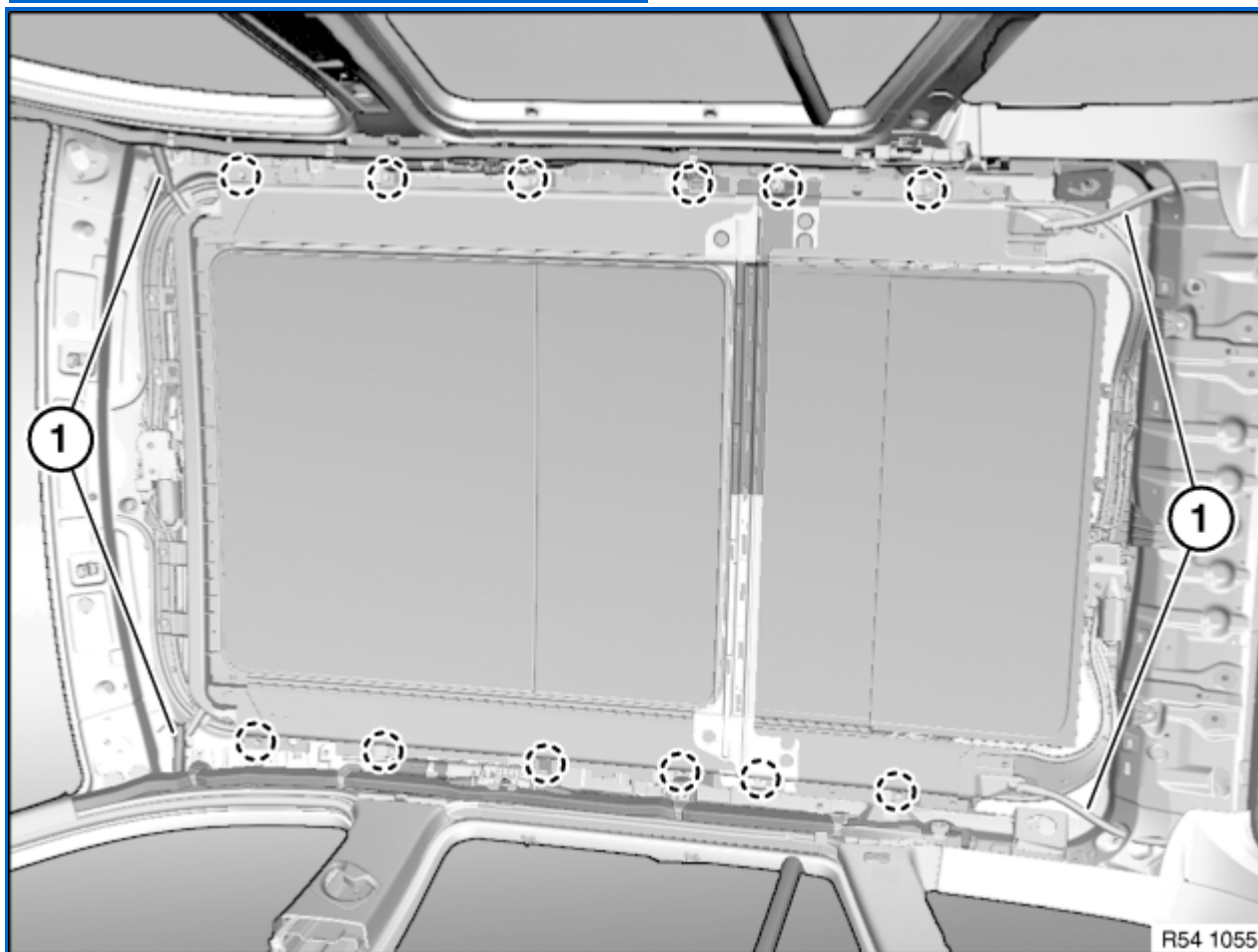


Airbag lead (1) must not be damaged.

Detach metal tab clips with airbag lead (1) from glass slide/tilt sunroof frame.

Installation note:

Lay airbag lead (1) without tension or kinks.

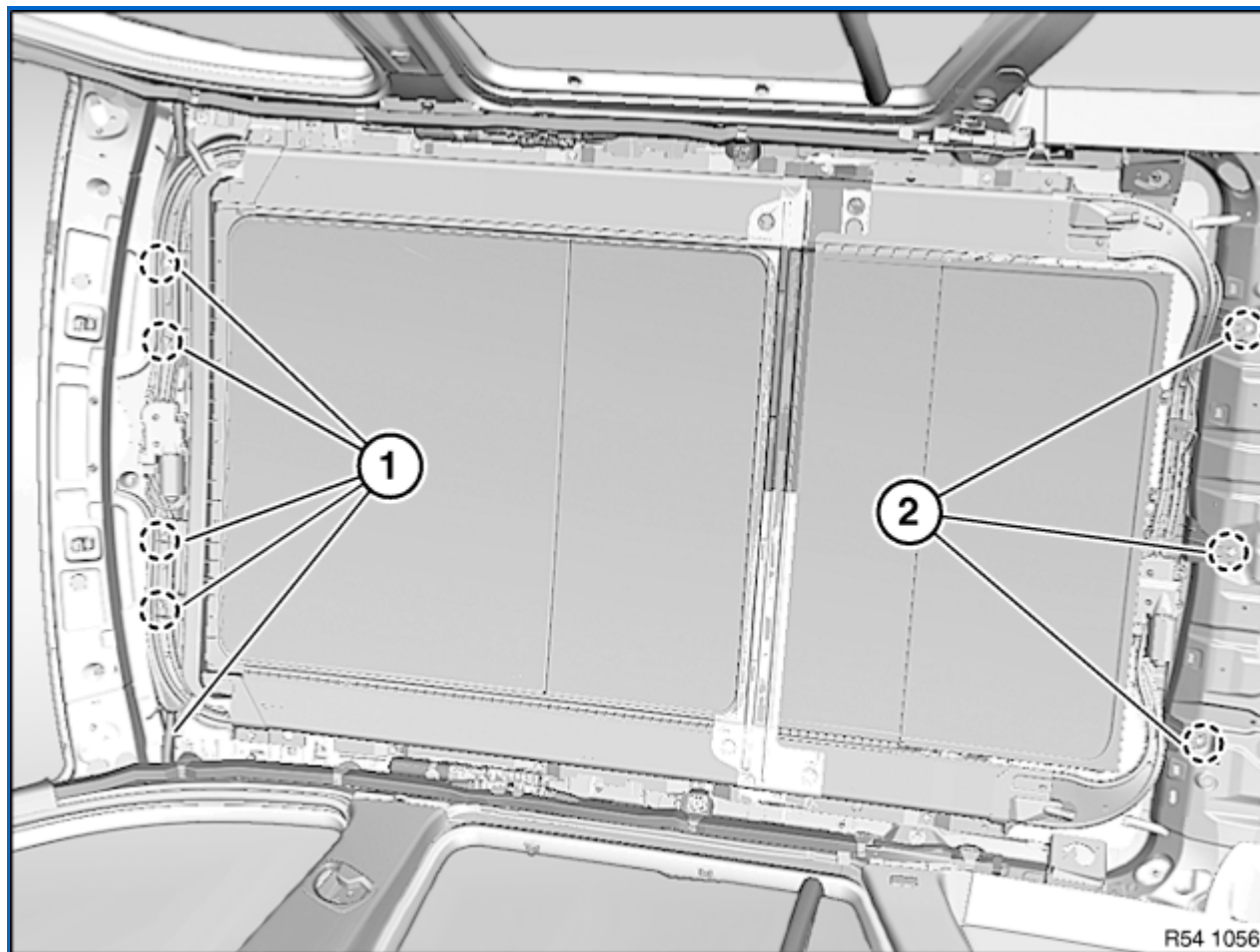


- Detach water drain hoses (1)

Note: Check hoses for damage and moisten with water before fitting

- Release screws in marked area

Tightening torque: [54 12 02AZ](#).



- Helper must hold glass slide/tilt sunroof to prevent it falling out.
- Release screws (1) (during installation: fit washers)
- Release screws (2) on and carefully lower slide/tilt sunroof.

Important!

Do not damage any surrounding components when removing the glass slide/tilt sunroof.

- Remove glass slide/tilt sunroof completely (through rear lid at rear).



Replacement:

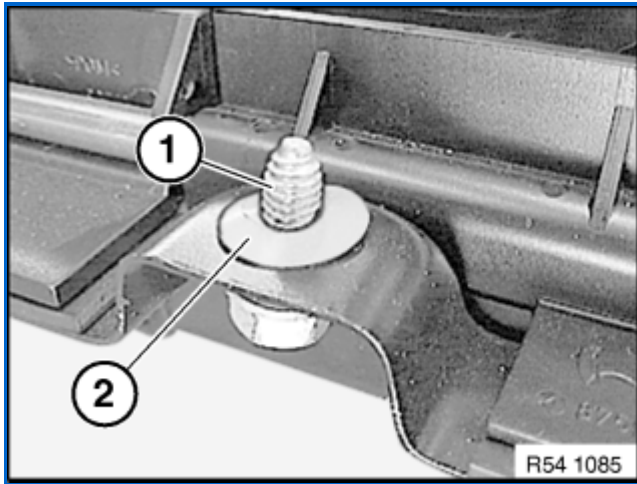
- Carry out [vehicle programming/encoding](#)



Installation note:

If dirty, [clean guide rails of panorama glass roof](#).

Before installation of glass slide/tilt sunroof, check water drain hoses for continuity. Clean water drain hoses as required.

**Installation note:**

If necessary, remove fabric adhesive tape.

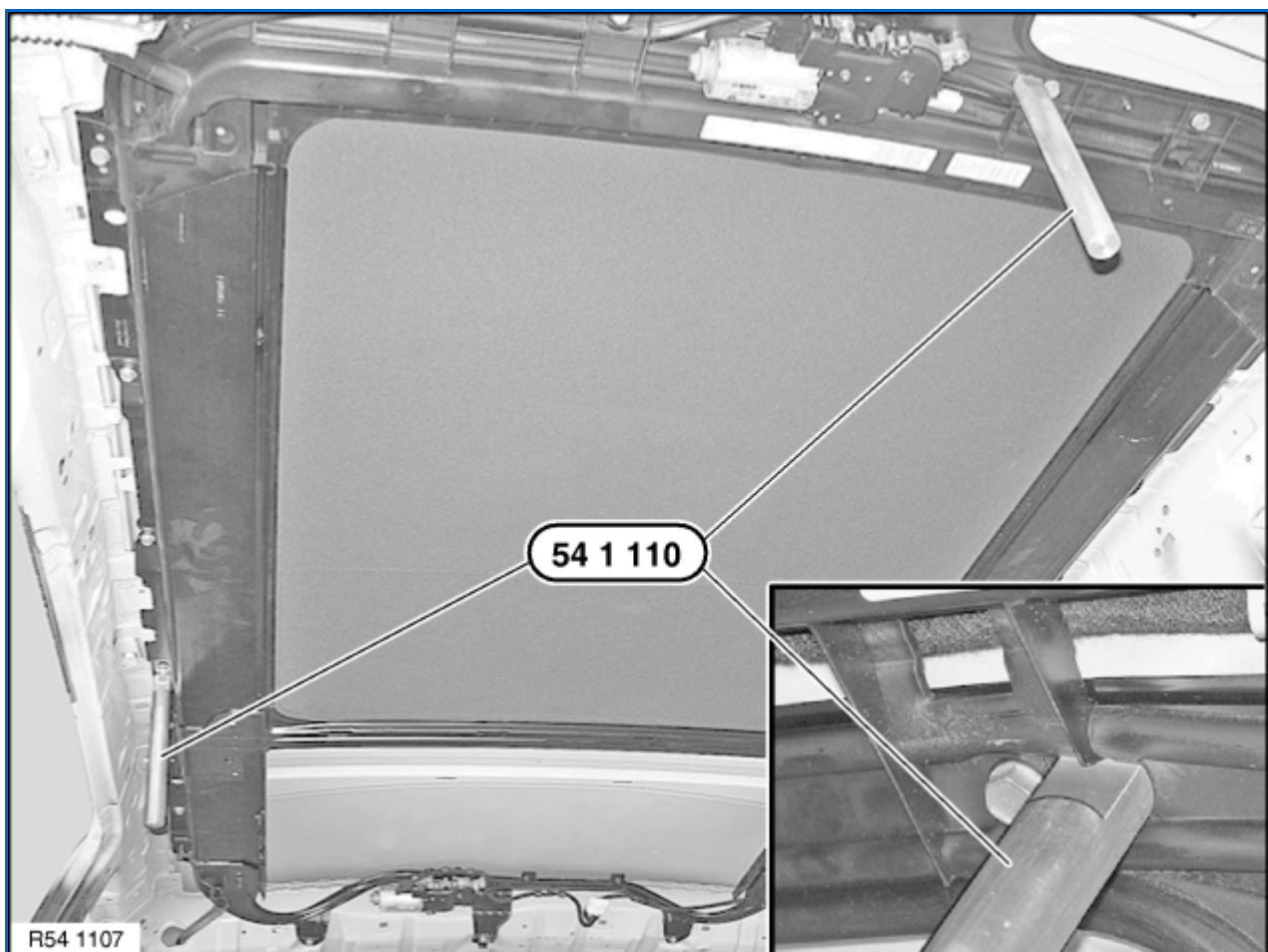
To stop creaking noises, secure all screws (1) prior to installation with plastic washers (2).

If the standard screws can no longer grip, use "repair screws" (have larger threads).

Important!

Do not crush any cables when installing the glass slide/tilt sunroof.

[Initialise](#) glass slide/tilt sunroof.

**Installation note:**

To align panorama glass roof to body aperture, insert screws and tighten loosely.

Panorama glass roof must still be able to move in the body aperture.

On account of leaks, panorama glass roof must be exactly aligned to body aperture.

Insert special tool [54 1 110](#) into locating holes in panorama roof and body fully.

Tighten down screws.

Tightening torque [54 12 02AZ](#).

Important!

Do not crush any cables when installing the glass slide/tilt sunroof.



After installation:

Check glass slide/tilt sunroof panel for correct alignment and adjust if necessary.

Initialise glass slide/tilt sunroof.