

# *FRENIC-Mini* Series

FRENIC



# Mini

FUJI INVERTERS

GREAT PERFORMANCE IN A COMPACT PACKAGE  
WELCOME TO THE NEW GENERATION  
OF MICRO INVERTERS

# FRENIC-Mini Series Concepts



Actual size

*Ideal functions to meet various needs*

*New, compact design*

*Simple operation*

*Flexible through optionals*

*A broad range of model variations*

*Global products*

Fuji Electric is the world's top market share manufacturer\* of general-purpose inverters in the 4.0kW class or below.

Based on our experience and customer's needs, we have now integrated our advanced designs and industry-leading technologies to develop a new inverter series, called FRENIC-Mini.

The FRENIC-Mini features a full range of functions, compact body, simple operation, wide model variations, and global compatibility. It will meet your needs for higher performance in machines and equipment such as conveyors, fans, pumps, centrifugal separators and food processing machines, as well as the needs for system integration, energy saving, labor saving, and total cost reduction.

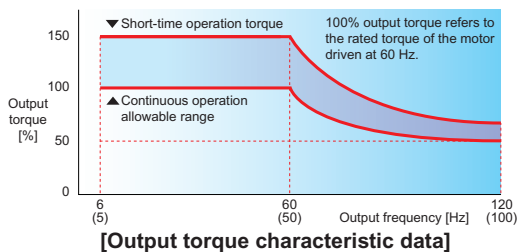
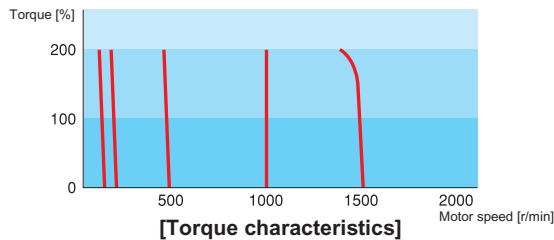
\*Quoted from Low Power AC Drive Worldwide Outlook (2001) published by ARC(USA)



## Optimum performance for traversing conveyors

### High starting torque, at 150% or more

Equipped with Fuji's original simplified torque-vector control system and the automatic torque boost function, the inverter provides consistent powerful operation (when automatic torque boost is ON, slip compensation control is ON, and when running at 5Hz or more).



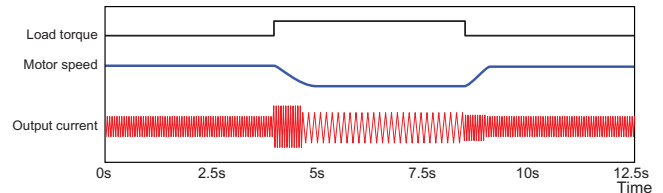
\*The above graph shows an example of torque characteristics obtained when FRENIC-Mini is combined one-to-one with Fuji's standard three-phase motor (8-type series: 4 poles).

### Braking resistor connectable to the inverter

Owing to a built-in braking transistor (0.4kW or larger), an optional braking resistor can be connected to increase the regenerative braking capacity for conveyance and transportation machinery that require large braking power. For inverters of 1.5kW or larger, it is possible to select the model that incorporates a braking resistor.

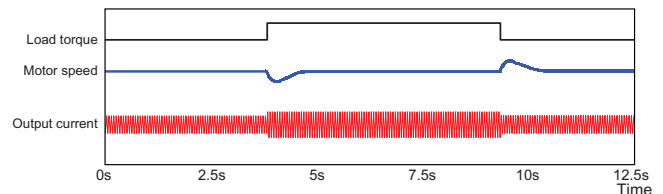
### Trip-free operation

The remarkably improved current limiting function (stall prevention) allows trip-free operation even for an impact load.



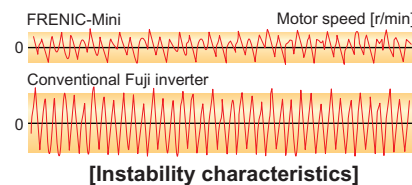
### Stable operation even for a step load

The slip compensation function permits stable operation even when the motor load fluctuates (step load).



### Reduced motor instability at low speed

Fuji's unique control method improves voltage control performance and reduces motor instability at low speed to about a half or less (at 1Hz) compared with that of conventional inverters.



## The highly used functions for fans and pumps

### Automatic energy-saving provided as a standard function

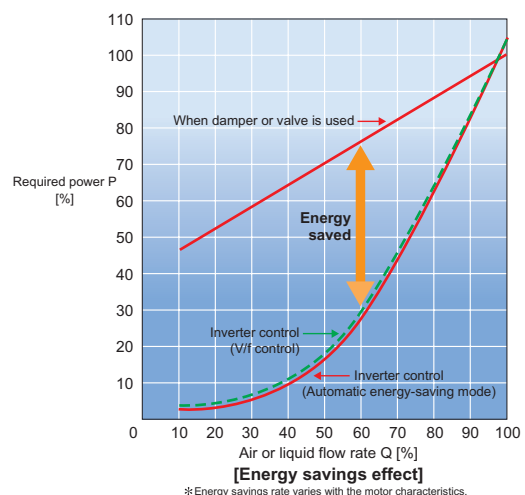
By controlling the motor loss to a minimum, FRENIC-Mini further saves electric power when applied to fans or pumps.  
\*Energy saving rate varies with the motor characteristics.

### PID control function

Permits motor operation while controlling temperature, pressure, or flow rate without using an external device such as temperature controller.

### Cooling fan ON/OFF control function

The inverter's cooling fan can be turned off while the fan or pump is stopped for noise reduction and energy savings.



\*Energy savings rate varies with the motor characteristics.



### Safety Precautions

1. The contents of this catalog are provided to help you select the product model that is best for you. Before actual use, be sure to read the Instruction Manual/User's Manual thoroughly to assure correct operation.
2. This product is not designed and manufactured for use in machines or systems which human life is dependent upon. If you are studying use of the products in this brochure for special purposes such as for control of nuclear power stations, in sea, air or space craft, in medical or land transportation equipment, or any related systems, please contact the business office of Fuji Electric. If these products are to be used in any equipment in which there is a risk to human life or the possibility of a major loss in the event of failure, be sure to install the appropriate safety equipment.



## The ideal functions to serve a multiplicity of needs for small-capacity inverters

### Compatible with a wide range of frequency settings

The optimum frequency setting method can be selected to match your machine or equipment. Setting can be done by keypad panel (↑ ↓ keys, potentiometer), analog input (4 to 20mA, 0 to +10V, 0 to 5V, 1 to 5V), multistep speed settings (8 steps) etc.

### A transistor output is provided.

This enables an overload early warning, lifetime forecast or other information signals to be output during operation.

### The output frequency can be set to a maximum of 400Hz.

The inverter can be used for equipment that requires a high motor speed such as centrifugal separator. In this case, check the operation in combination with the motor.

### Two points can be set for a non-linear V/f pattern.

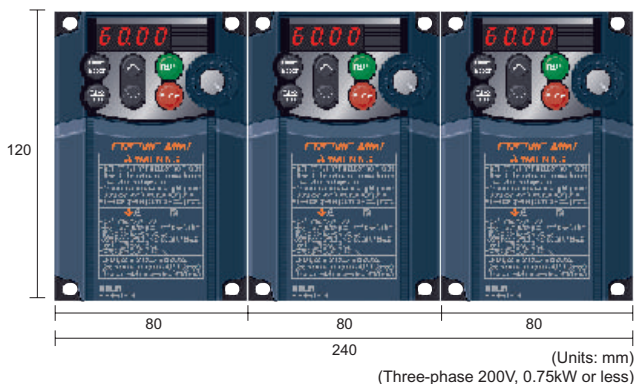
One point for the non-linear V/f pattern, which can be set as desired, has been added (making a total of 2 points), and so the V/f pattern can be adjusted to match the application.



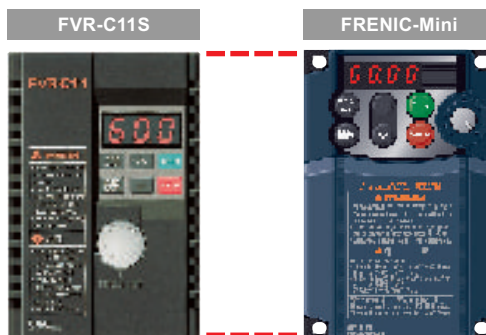
## Compact

### Side-by-side mounting is possible.

Multiple inverter units can be mounted side-by-side inside a panel. This feature helps to minimize the space used for installation. (Ambient temperature: 40°C or less)



### Size interchangeability with Fuji's FVR-C11S series is provided.



### RS485 communications card (option) can be installed internally.

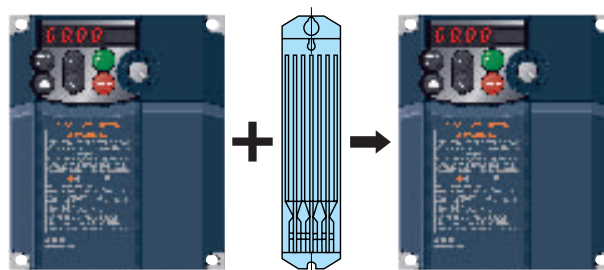
This card can be installed inside the inverter's body without changing the dimensions. RS-485 communications are available as option.



### A model with built-in braking resistor is available on order.

For inverters of 1.5kW or larger, a built-in braking resistor type can be selected.

Since installation and wiring of a separate braking resistor is not required, the total mounting space is reduced.



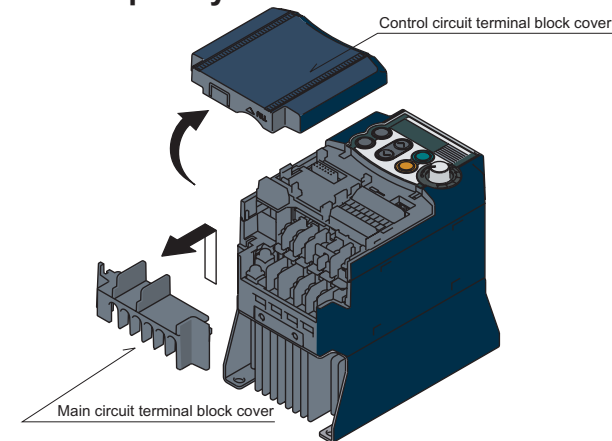


## Simple operation and wiring

### Frequency setting potentiometer is standard equipment.

The frequency can be adjusted easily by hand.

### The control circuit terminal block cover and main circuit terminal block cover can be quickly removed.



### All types of data can be displayed on the keypad.

The output frequency, set frequency, load shaft speed, output current, output voltage, alarm history, input power etc. can be displayed.



### A menu mode is included in the keypad.

The menu items include the "function menu" for checking or changing function codes, "operation monitor", "I/O check", "maintenance info." and "alarm info." See the FRENIC-Mini User's Manual for details.



## Maintenance

### The lifetime of the DC bus capacitor can be estimated.

The capacitor's condition compared with its initial state can be confirmed.

### A long-life cooling fan is included.

Use of a long-life cooling fan (design life: 7 years with an ambient temperature: 40 C) reduces maintenance work.

### Cumulative running time is recorded and displayed.

The inverter records and displays the cumulative running time (lifetime) of the inverter itself, PCB, and cooling fan.

### The alarm history for the 4 latest alarms is recorded.

Detailed information from back as far as the 4 latest alarms can also be checked.

### It is possible to output lifetime forecast signal to the transistor output.

This signal is output when the capacitors in the DC bus circuit, the electrolytic capacitors on the PCB or the cooling fans are nearing the end of their service life.



## Interface for peripheral devices and comprehensive protective functions

### All models are equipped with an inrush current suppression circuit.

An inrush current suppression circuit is provided as standard in all models, so the cost of peripheral devices such as input magnetic contactors can be reduced.

### A DC reactor (DCR) connection terminal is provided as standard.

A terminal for connection of a DCR, necessary for suppressing harmonics, is provided in all models.

### Input/output phase loss protective function

It is possible to detect output phase loss at all times during starting and operation.

### Sink/Source can be switched.

The input/output mode (Sink/Source) of the digital input terminals can be switched by means of an internal jumper switch.

### The motor can be protected by a PTC thermistor.

In addition to the protection by an electronic thermal relay, the motor is protected by a PTC thermistor input.





## Flexible through optionals

### Function code copy function

The optional remote keypad panel includes a built-in copy function, so function codes can be set easily in duplicate units.

### Inverter support loader software is available.

The inverter support loader program (Windows based), which simplifies setting of function codes, is provided.

The optional RS-485 communications card, remote keypad and remote operation extension cable are necessary.

### Mounting on DIN rail

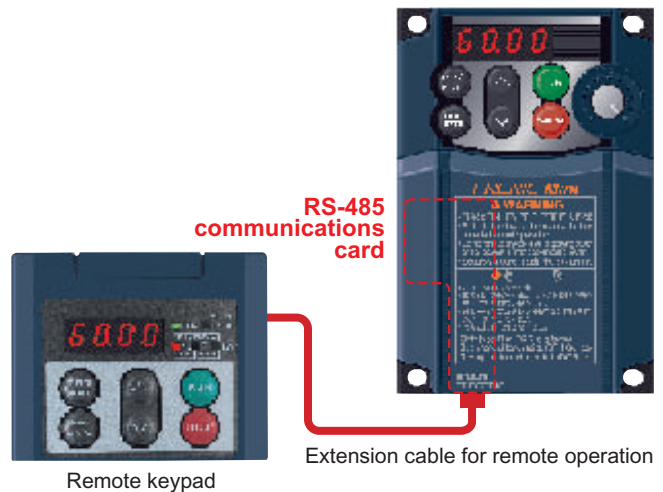
Using the rail mounting base (option), the inverter can be easily mounted on a DIN rail (35mm wide).

### Replacement of older models with new ones is simple.

The latest models can be mounted without drilling additional holes by use of the mounting adapter (option).

### Remote operation is possible.

Remote operation can be done easily using the optional RS-485 communications card, remote keypad and remote operation extension cable.



## Wide variations

- A 400V series, in addition to the 200V series (Three-phase, single-phase), is available.
- Models with EMC filter built-in, with braking resistor built-in and with RS-485 communications-compliant are also available on order.  
\*The RS-485 communications is applicable on the standard model with using the RS-485 communications card (optional accessory).
- Type1 (NEMA1) conformed model is available by attaching optional parts.



## Global products

All standard models comply with the EC Directive (CE marking), UL standards and Canadian standards (cUL certification).

All standard FRENIC-Mini inverters comply with European and North American/Canadian standards, enabling standardization of the specifications for machines and equipment used at home and abroad.

If the model with built-in EMC filter is used, the model conforms to the European EMC Directive.

Europe  
EC Directives (CE making), TÜV



North America/Canada  
UL standard (cUL certification)



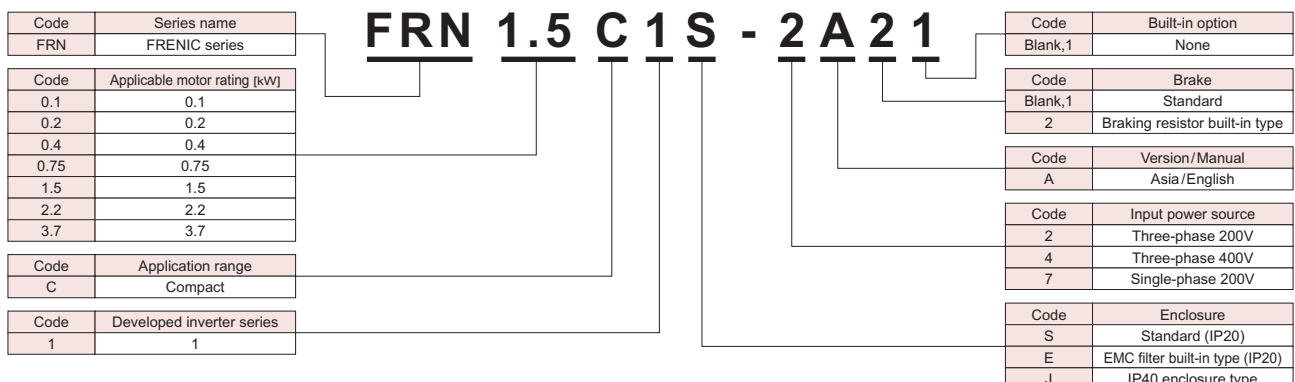
In addition to the three-phase 200V and single-phase 200V, three-phase 400V series has been newly introduced, broadening the model selection range. Model variations include EMC filter built-in type and braking resistor built-in type on order.

Applicable motor rating	Three-phase 200V series	Three-phase 400V series	Single-phase 200V series
<b>Standard specifications</b>			
0.1	FRN0.1C1S-2A		FRN0.1C1S-7A
0.2	FRN0.2C1S-2A		FRN0.2C1S-7A
0.4	FRN0.4C1S-2A	FRN0.4C1S-4A	FRN0.4C1S-7A
0.75	FRN0.75C1S-2A	FRN0.75C1S-4A	FRN0.75C1S-7A
1.5	FRN1.5C1S-2A	FRN1.5C1S-4A	FRN1.5C1S-7A
2.2	FRN2.2C1S-2A	FRN2.2C1S-4A	FRN2.2C1S-7A
3.7	FRN3.7C1S-2A	FRN3.7C1S-4A	
<b>Semi-standard specifications</b>			
<b>EMC filter built-in type (On order)</b>			
0.1	FRN0.1C1E-2A		FRN0.1C1E-7A
0.2	FRN0.2C1E-2A		FRN0.2C1E-7A
0.4	FRN0.4C1E-2A	FRN0.4C1E-4A	FRN0.4C1E-7A
0.75	FRN0.75C1E-2A	FRN0.75C1E-4A	FRN0.75C1E-7A
1.5	FRN1.5C1E-2A	FRN1.5C1E-4A	FRN1.5C1E-7A
2.2	FRN2.2C1E-2A	FRN2.2C1E-4A	FRN2.2C1E-7A
3.7	FRN3.7C1E-2A	FRN3.7C1E-4A	
<b>Braking resistor built-in type (On order)</b>			
1.5	FRN1.5C1S-2A21	FRN1.5C1S-4A21	
2.2	FRN2.2C1S-2A21	FRN2.2C1S-4A21	
3.7	FRN3.7C1S-2A21	FRN3.7C1S-4A21	
<b>IP40 enclosure type</b>			
0.1	FRN0.1C1J-2A		
0.2	FRN0.2C1J-2A		
0.4	FRN0.4C1J-2A	FRN0.4C1J-4A	
0.75	FRN0.75C1J-2A	FRN0.75C1J-4A	
1.5	FRN1.5C1J-2A	FRN1.5C1J-4A	
2.2	FRN2.2C1J-2A	FRN2.2C1J-4A	
3.7	FRN3.7C1J-2A	FRN3.7C1J-4A	

Type1(NEMA1)conformed model is available by attaching optional parts.

## How to read the model number

The Compact Inverter **FRENIC-Mini**



Note) If Built-in option is None and Brake is Standard, the model numbers are indicated in the same format as those of the above standard specifications.

# Standard Specifications

## Standard specifications

The Compact Inverter **FRENIC-Mini**

### Three-phase series

Item		Specifications																
Input power source		Three-phase 200V						Three-phase 400V										
Type (FRN□□□C1S-□A)		FRN0.1 C1S-2A	FRN0.2 C1S-2A	FRN0.4 C1S-2A	FRN0.75 C1S-2A	FRN1.5 C1S-2A	FRN2.2 C1S-2A	FRN3.7 C1S-2A	FRN0.4 C1S-4A	FRN0.75 C1S-4A	FRN1.5 C1S-4A	FRN2.2 C1S-4A	FRN3.7 C1S-4A					
Applicable motor rating *1)		kW		0.1	0.2	0.4	0.75	1.5	2.2	3.7	0.4	0.75	1.5	2.2	3.7			
Output ratings	Rated capacity *2)	kVA		0.3	0.57	1.1	1.9	3.0	4.2	6.5	1.1	1.9	2.8	4.1	6.8			
	Rated voltage *3)	V		Three-phase, 200V/50Hz, 200, 220, 230V/60Hz						Three-phase, 380, 400, 415V/50Hz, 380, 400, 440, 460V/60Hz								
	Rated current *4)	A		0.8 (0.7)	1.5 (1.4)	3.0 (2.5)	5.0 (4.2)	8.0 (7.0)	11.0 (10.0)	17.0 (16.5)	1.5	2.5	3.7	5.5	9.0			
	Overload capability	150% of rated current for 1min, 200% of rated current for 0.5s																
	Rated frequency	50, 60Hz																
Input ratings	Phases, voltage, frequency		Three-phase, 200 to 240V, 50/60Hz						Three-phase, 380 to 480V, 50/60Hz									
	Voltage/frequency variations		Voltage: +10 to -15% (Voltage unbalance *10) : 2% or less						Frequency: +5 to -5%									
	Momentary voltage dip capability *5)		When the input voltage is 165V or more, the inverter continues operation. If it drops below 165V, the inverter operates for 15ms.						When the input voltage is 300V or more, the inverter continues operation. If it drops below 300V, the inverter operates for 15ms.									
	Rated current *6)	A	(with DCR)	0.57	0.93	1.6	3.0	5.7	8.3	14.0	0.85	1.6	3.0	4.4	7.3			
			(without DCR)	1.1	1.8	3.1	5.3	9.5	13.2	22.2	1.7	3.1	5.9	8.2	13.0			
Required power supply capacity *7)		kVA		0.2	0.3	0.6	1.1	2.0	2.9	4.9	0.6	1.1	2.0	2.9	4.9			
Braking	Torque *8)		%		150		100		50		30		100		50		30	
	Torque *9)		%		—		150		150									
	DC injection braking		Starting frequency: 0.0 to 60.0Hz Braking time: 0.0 to 30.0s Braking level: 0 to 100% of rated current															
Enclosure (IEC 60529)		IP20, UL open type *11)																
Cooling method		Natural cooling						Fan cooling			Natural cooling			Fan cooling				
Weight / Mass		kg		0.6	0.6	0.6	0.7	1.7	1.7	2.3	1.1	1.2	1.7	1.7	2.3			

### Single-phase series

Item		Specifications										
Input power source		Single-phase 200V										
Type (FRN□□□C1S-7A)		FRN0.1 C1S-7A	FRN0.2 C1S-7A	FRN0.4 C1S-7A	FRN0.75 C1S-7A	FRN1.5 C1S-7A	FRN2.2 C1S-7A					
Applicable motor rating *1)		kW		0.1	0.2	0.4	0.75	1.5	2.2			
Output ratings	Rated capacity *2)	kVA		0.3	0.57	1.1	1.9	3.0	4.1			
	Rated voltage *3)	V		Three-phase, 200V/50Hz, 200, 220, 230V/60Hz								
	Rated current *4)	A		0.8 (0.7)	1.5 (1.4)	3.0 (2.5)	5.0 (4.2)	8.0 (7.0)	11.0 (10.0)			
	Overload capability	150% of rated current for 1 min, 200% of rated current for 0.5s										
	Rated frequency	50, 60Hz										
Input ratings	Phases, voltage, frequency		Single-phase, 200 to 240V, 50/60Hz									
	Voltage/frequency variations		Voltage: +10 to -10% Frequency: +5 to -5%									
	Momentary voltage dip capability *5)		When the input voltage is 165V or more, the inverter continues operation. If it drops below 165V, the inverter operates for 15ms.									
	Rated current *6)	A	(with DCR)	1.1	2.0	3.5	6.4	11.6	17.5			
			(without DCR)	1.8	3.3	5.4	9.7	16.4	24.8			
Required power supply capacity *7)		kVA		0.3	0.4	0.7	1.3	2.4	3.5			
Braking	Torque *8)		%		150		100		50		30	
	Torque *9)		%		—		150					
	DC injection braking		Starting frequency: 0.0 to 60.0Hz Braking time: 0.0 to 30.0s Braking level: 0 to 100% of rated current									
Enclosure (IEC 60529)		IP20, UL open type *11)										
Cooling method		Natural cooling						Fan cooling				
Weight / Mass		kg		0.6	0.6	0.6	0.8	1.7	2.3			

\*1) Fuji's 4-pole standard motor

\*2) Rated capacity is calculated by regarding the output rated voltage as 220V for three-phase 200V and single-phase 200V series, and as 440V for three-phase 400V series.

\*3) Output voltage cannot exceed the power supply voltage.

\*4) Use the inverter at the current given in ( ) or below when the carrier frequency setting is higher than 4kHz (F25:4 to 5) or the ambient temperature is 40°C or higher.

\*5) Tested under the standard load condition (85% load for nominal applied motor).

\*6) Calculated under Fuji-specified conditions.

\*7) Obtained when a DC REACTOR (option) is used.

\*8) Average braking torque obtained with AVR control OFF (Varies with the efficiency of the motor.)

\*9) Average braking torque obtained by use of external braking resistor (standard type available as option)

\*10) Voltage unbalance [%] =  $\frac{\text{Max voltage [V]} - \text{Min voltage [V]}}{\text{Three-phase average voltage [V]}} \times 67$  (IEC 61800-3 (5.2.3))

If this value is 2 to 3%, use AC REACTOR (ACR).

\*11) NEMA1 kit (option) is required for the enclosure conforming to the UL standard TYPE1 (NEMA1). Use the inverter in the ambient temperature range from -10 to +40°C.



## EMC filter built-in type

The Compact Inverter FRENIC-Mini

### Three-phase series

Item		Specifications																
Input power source		Three-phase 200V						Three-phase 400V										
Type (FRN□□□C1E-□A)		FRN0.1 C1E-2A	FRN0.2 C1E-2A	FRN0.4 C1E-2A	FRN0.75 C1E-2A	FRN1.5 C1E-2A	FRN2.2 C1E-2A	FRN3.7 C1E-2A	FRN0.4 C1E-4A	FRN0.75 C1E-4A	FRN1.5 C1E-4A	FRN2.2 C1E-4A	FRN3.7 C1E-4A					
Applicable motor rating *1)		kW		0.1	0.2	0.4	0.75	1.5	2.2	3.7	0.4	0.75	1.5	2.2	3.7			
Output ratings	Rated capacity *2)	kVA		0.3	0.57	1.1	1.9	3.0	4.2	6.5	1.1	1.9	2.8	4.1	6.8			
	Rated voltage *3)	V		Three-phase, 200V/50Hz, 200, 220, 230V/60Hz						Three-phase, 380, 400, 415V/50Hz, 380, 400, 440, 460V/60Hz								
	Rated current *4)	A		0.8 (0.7)	1.5 (1.4)	3.0 (2.5)	5.0 (4.2)	8.0 (7.0)	11.0 (10.0)	17.0 (16.5)	1.5	2.5	3.7	5.5	9.0			
	Overload capability	150% of rated current for 1min, 200% of rated current for 0.5s																
	Rated frequency	50, 60Hz																
Input ratings	Phases, voltage, frequency		Three-phase, 200 to 240V, 50/60Hz						Three-phase, 380 to 480V, 50/60Hz									
	Voltage/frequency variations		Voltage: +10 to -15% (Voltage unbalance *10) : 2% or less						Frequency: +5 to -5%									
	Momentary voltage dip capability *5)		When the input voltage is 165V or more, the inverter continues operation. If it drops below 165V, the inverter operates for 15ms.						When the input voltage is 300V or more, the inverter continues operation. If it drops below 300V, the inverter operates for 15ms.									
	Rated current *6)	A	(with DCR)		0.57	0.93	1.6	3.0	5.7	8.3	14.0	0.85	1.6	3.0	4.4	7.3		
		(without DCR)		1.1	1.8	3.1	5.3	9.5	13.2	22.2	1.7	3.1	5.9	8.2	13.0			
Required power supply capacity *7)		kVA		0.2	0.3	0.6	1.1	2.0	2.9	4.9	0.6	1.1	2.0	2.9	4.9			
Braking	Torque *8)		%		150		100		50		30		100		50		30	
	Torque *9)		%		—		150		150									
	DC injection braking		Starting frequency: 0.0 to 60.0Hz Braking time: 0.0 to 30.0s Braking level: 0 to 100% of rated current															
Enclosure (IEC 60529)		IP20, UL open type *11)																
Cooling method		Natural cooling						Fan cooling			Natural cooling			Fan cooling				
Weight / Mass		kg		0.7	0.7	0.7	0.8	2.4	2.4	2.9	1.5	1.6	2.5	2.5	3.0			

### Single-phase series

Item		Specifications														
Input power source		Single-phase 200V														
Type (FRN□□□C1E-7A)		FRN0.1 C1E-7A		FRN0.2 C1E-7A		FRN0.4 C1E-7A		FRN0.75 C1E-7A		FRN1.5 C1E-7A		FRN2.2 C1E-7A				
Applicable motor rating *1)		kW		0.1		0.2		0.4		0.75		1.5		2.2		
Output ratings	Rated capacity *2)	kVA		0.3		0.57		1.1		1.9		3.0		4.1		
	Rated voltage *3)	Three-phase, 200V/50Hz, 200, 220, 230V/60Hz														
	Rated current *4)	A		0.8 (0.7)		1.5 (1.4)		3.0 (2.5)		5.0 (4.2)		8.0 (7.0)		11.0 (10.0)		
	Overload capability	150% of rated current for 1min, 200% of rated current for 0.5s														
	Rated frequency	50, 60Hz														
Input ratings	Phases, voltage, frequency		Single-phase, 200 to 240V, 50/60Hz													
	Voltage/frequency variations		Voltage: +10 to -10%, Frequency: +5 to -5%													
	Momentary voltage dip capability *5)		When the input voltage is 165V or more, the inverter continues operation. If it drops below 165V, the inverter operates for 15ms.													
	Rated current *6)	A	(with DCR)		1.1		2.0		3.5		6.4		11.6		17.5	
		(without DCR)		1.8		3.3		5.4		9.7		16.4		24.8		
Required power supply capacity *7)		kVA		0.3		0.4		0.7		1.3		2.4		3.5		
Braking	Torque *8)		%		150		100		50		30					
	Torque *9)		%		—		150									
	DC injection braking		Starting frequency: 0.0 to 60.0Hz Braking time: 0.0 to 30.0s Braking level: 0 to 100% of rated current													
Enclosure (IEC 60529)		IP20, UL open type *11)														
Cooling method		Natural cooling						Fan cooling								
Weight / Mass		kg		0.7		0.7		0.7		1.2		2.4		2.9		

\*1) Fuji's 4-pole standard motor

\*2) Rated capacity is calculated by regarding the output rated voltage as 220V for three-phase 200V and single-phase 200V series, and as 440V for three-phase 400V series.

\*3) Output voltage cannot exceed the power supply voltage.

\*4) Use the inverter at the current given in ( ) or below when the carrier frequency setting is higher than 4kHz (F25:4 to 5) or the ambient temperature is 40°C or higher.

\*5) Tested under the standard load condition (85% load for nominal applied motor).

\*6) Calculated under Fuji-specified conditions.

\*7) Obtained when a DC REACTOR (option) is used.

\*8) Average braking torque obtained with AVR control OFF (Varies with the efficiency of the motor.)

\*9) Average braking torque obtained by use of external braking resistor (standard type available as option)

\*10) Voltage unbalance [%] =  $\frac{\text{Max voltage [V]} - \text{Min voltage [V]}}{\text{Three-phase average voltage [V]}} \times 67$  (IEC 61800-3 (5.2.3))

If this value is 2 to 3%, use AC REACTOR (ACR).

\*11) NEMA1 kit (option) is required for the enclosure conforming to the UL standard TYPE1 (NEMA1).

Use the inverter in the ambient temperature range from -10 to +40°C.

# Semi-standard Specifications

## Braking resistor built-in type

The Compact Inverter **FRENIC-Mini**

Item		Specifications							
Input power source		Three-phase 200V			Three-phase 400V				
Type (FRN□□□C1S-□A21)		FRN1.5 C1S-2J21	FRN2.2 C1S-2J21	FRN3.7 C1S-2J21	FRN1.5 C1S-4J21	FRN2.2 C1S-4J21	FRN3.7 C1S-4J21		
Applicable motor rating *1)		kW	1.5	2.2	3.7	1.5	2.2	3.7	
Output ratings	Rated capacity *2)	kVA	3.0	4.2	6.5	2.8	4.1	6.8	
	Rated voltage *3)	V	Three-phase, 200V/50Hz, 200, 220, 230V/60Hz			Three-phase, 380, 400, 415V/50Hz, 380, 400, 440, 460V/60Hz			
	Rated current *4)	A	8.0 (7.0)	11.0 (10.0)	17.0 (16.5)	3.7	5.5	9.0	
	Overload capability		150% of rated current for 1min, 200% of rated current for 0.5s						
Rated frequency			50, 60Hz						
Input ratings	Phases, voltage, frequency		Three-phase, 200 to 240V, 50/60Hz			Three-phase, 380 to 480V, 50/60Hz			
	Voltage/frequency variations		Voltage: +10 to -15% (Voltage unbalance *10) : 2% or less)			Frequency: +5 to -5%			
	Momentary voltage dip capability *5)		When the input voltage is 165V or more, the inverter continues operation. If it drops below 165V, the inverter operates for 15ms.			When the input voltage is 300V or more, the inverter continues operation. If it drops below 300V, the inverter operates for 15ms.			
	Rated current *6)	(with DCR)	A	5.7	8.3	14.0	3.0	4.4	7.3
		(without DCR)	A	9.5	13.2	22.2	5.9	8.2	13.0
Required power supply capacity *7)		kVA	2.0	2.9	4.9	2.0	2.9	4.9	
Braking	Torque *8)	%	150	100	100	150	100	100	
	Braking time	s	18	12	8	18	12	8	
	Duty cycle	%	3	2	1.5	3	2	1.5	
	DC injection braking		Starting frequency: 0.0 to 60.0Hz    Braking time: 0.0 to 30.0s    Braking level: 0 to 100% of rated current						
Enclosure (IEC 60529)			IP20, UL open type *11)						
Cooling method			Fan cooling						
Weight / Mass		kg	1.8	1.8	2.5	1.8	1.8	2.5	

## IP40 enclosure type

The Compact Inverter **FRENIC-Mini**

Item		Specifications													
Input power source		Three-phase 200V						Three-phase 400V							
Type (FRN□□□C1J-□A)		FRN0.1 C1J-2A	FRN0.2 C1J-2A	FRN0.4 C1J-2A	FRN0.75 C1J-2A	FRN1.5 C1J-2A	FRN2.2 C1J-2A	FRN3.7 C1J-2A	FRN0.4 C1J-2A	FRN0.75 C1J-2A	FRN1.5 C1J-2A	FRN2.2 C1J-2A	FRN3.7 C1J-2A		
Applicable motor rating *1)		kW	0.1	0.2	0.4	0.75	1.5	2.2	3.7	0.4	0.75	1.5	2.2	3.7	
Output ratings	Rated capacity *2)	kVA	0.30	0.57	1.1	1.9	3.0	4.2	6.5	1.1	1.9	2.8	4.1	6.8	
	Rated voltage *3)	V	Three-phase, 200V/50Hz, 200, 220, 230V/60Hz						Three-phase, 380, 400, 415V/50Hz, 380, 400, 440, 460V/60Hz						
	Rated current	A	High carrier (4-15kHz)	0.7	1.4	2.5	4.2	7.0	10.0	16.5	1.5	2.5	3.7	5.5	9.0
			Low carrier (-3kHz)	0.8	1.5	3.0	5.0	8.0	11.0	17.0					
Overload capability			150% of rated current for 1min, 200% of rated current for 0.5s												
Rated frequency			50, 60Hz												
Input ratings	Phases, voltage, frequency		Three-phase, 200 to 240V, 50/60Hz						Three-phase, 380 to 480V, 50/60Hz						
	Voltage/frequency variations		Voltage: +10 to -15% (Voltage unbalance : 2% or less *10) )						Frequency: +5 to -5%						
	Momentary voltage dip capability *5)		When the input voltage is 165V or more, the inverter continues operation. If it drops below 165V, the inverter operates for 15ms.						When the input voltage is 300V or more, the inverter continues operation. If it drops below 300V, the inverter operates for 15ms.						
	Rated input current *6)	(with DCR)	A	0.57	0.93	1.6	3.0	5.7	8.3	14.0	0.85	1.6	3.0	4.4	7.3
		(without DCR)	A	1.1	1.8	3.1	5.3	9.5	13.2	22.2	1.7	3.1	5.9	8.2	13.0
Required power supply capacity *7)		kVA	0.2	0.3	0.6	1.1	2.0	2.9	4.9	0.6	1.1	2.0	2.9	4.9	
Braking	Torque *8)	%	150		100		50	30	100		50		30		
	Torque *9)	%	—		150		150								
	DC injection braking	%	Starting frequency: 0.0 to 60.0Hz    Braking time: 0.0 to 30.0s    Braking level: 0 to 100% of rated current												
Applicable safety standards			UL508C, C22.No.14, EN50178:1997 or equivalent												
Enclosure (IEC 60529)			IP 40												
Cooling method			Natural cooling				Fan cooling			Natural cooling		Fan cooling			
Weight / Mass		kg	0.7	0.7	0.7	0.8	1.8	1.8	2.4	1.2	1.3	1.8	1.8	2.4	

\*1) When adapting the Fuji's 4-pole standard motor

\*2) Rated capacity is calculated by regarding the output rated voltage as 220V for three-phase 200V series, and as 440V for three-phase 400V series.

\*3) Output voltage cannot exceed the power supply voltage.

\*4) Use the inverter at the current given in ( ) or below when the carrier frequency setting is higher than 4kHz (F26:4 to 5) or the ambient temperature is 40°C or higher.

\*5) Calculated under the standard overload conditions by JEMA committee (about 85% of overload by the standard applicable motor.)

\*6) Calculated under Fuji-specified conditions.

\*7) Obtained when a DC reactor (DCR) is used.

\*8) Average braking torque obtained with AVR control OFF (Varies with the efficiency of the motor.)

\*9) Average braking torque obtained by use of external braking resistor (optional)

\*10) Voltage unbalance [%] =  $\frac{\text{Max voltage [V]} - \text{Min voltage [V]}}{\text{Three-phase average voltage [V]}} \times 67$  (Refer to IEC 61800-3.)

If this value is 2 to 3%, use AC reactor (option).

\*11) NEMA1 kit (option) is required for the enclosure conforming to the UL standard TYPE1 (NEMA1). Use the inverter in the ambient temperature range from -10 to +40°C.

## Common specifications



 The Compact Inverter **FRENIC-Mini**

Item		Explanation	Remarks	Related function code	
Output frequency	Maximum frequency	25 to 400Hz	For operation at 120Hz or more, test the inverter in advance by combining it with the motor.	F03	
	Base frequency	25 to 400Hz	For operation at 120Hz or more, test the inverter in advance by combining it with the motor.	F04	
	Starting frequency	0.1 to 60.0Hz		F23	
	Carrier frequency	0.75 to 15kHz	Frequency may drop automatically to protect the inverter running at 7kHz or more. This protective operation can be canceled by function code H98.	F26, F27 H98	
	Accuracy(Stability)	Analog setting: -0.2% of maximum frequency (at 25-10°C) Digital setting: -0.01% of maximum frequency (at -10 to +50°C)			
	Setting resolution	Analog setting: 1/1000 of maximum frequency (ex. 0.06Hz at 60Hz, 0.4Hz at 400Hz) Keypad setting: 0.01Hz (99.99Hz or less), 0.1Hz (100.0Hz or more) Link setting: Selectable from 2 types • 1/2000 of maximum frequency (ex. 0.003Hz at 60Hz, 0.02Hz at 400Hz) • 0.01Hz (fixed)	Includes the potentiometer on the keypad. Setting with  and  keys.		
Control	Control method	V/f control (Simplified torque-vector control)			
	Voltage/freq. characteristic	• Possible to set output voltage at base frequency and at maximum output frequency (common spec). • AVR control can be turned ON or OFF (Factory setting: OFF).	Three-phase 200V, single-phase 200V: 80 to 240V Three-phase 400V: 160 to 500V	F03 to F05	
	(Non-linear V/f setting)	1 point (Desired voltage and frequency can be set.)		H50, H51	
	Torque boost	Torque boost can be set with the function code F09.	Set when 0, 1, 3, or 4 is selected at F37.	F09, F37	
	(Load selection)	Select application load type with the function code F37. 0: Variable torque load 1: Constant torque load 2: Auto torque boost 3: Auto energy-save operation (variable torque load in acceleration/deceleration) 4: Auto energy-save operation (constant torque load in acceleration/deceleration) 5: Auto energy-save operation (auto torque boost in acceleration/deceleration)		F09, F37	
	Starting torque	150% or over (Auto torque boost in 5Hz operation)			
	Start/stop	Keypad operation: Start (FWD/REV) and stop with  ,  keys		Remote keypad (available soon) is also usable.	F02
		External signals (5 digital inputs): FWD, REV, coast to stop command, etc.			
		Link operation: Communication via RS-485		RS-485 communication function is optional.	H30, y01 to y10 y99
	Frequency setting	Can be set with built-in potentiometer (standard) Can be set with  or  key		Remote keypad (available soon) is also usable.	F01, C30
		Can be set with external potentiometer (1 to 5kΩ)		• Connected to analog input terminals 13, 12, 11. • Potentiometer must be provided.	F01, C30
		Analog input	• Can be set with external voltage/current output • 0 to +10V DC (0 to +5V DC)/0 to 100% (terminal 12) • +4 to +20mA DC/0 to 100% (terminal C1)		F18, C32 to C34 F18, C37 to C39
		(Inverse operation)	• Can be reversed with digital input signal (IVS) • +10 to 0V DC (+5 to 0V DC)/0 to 100% (terminal 12) • +20 to +4mA DC/0 to 100% (terminal C1)		E01 to E03 E98, E99
		Multistep frequency: Selectable from 8 steps (step 0 to 7) Link operation: Can be set with communication via RS-485		RS-485 communication function is optional.	C05 to C11 H30, y01 to y10
	Running status signal	Transistor output (1 point) : RUN, FAR, FDT, LU, etc.			E20
Relay output (1 point) : Alarm relay output or multipurpose relay output signal					
Analog output (1 point) : Output frequency, output current, output voltage, input power, etc.				F30, F31	
Acceleration/ deceleration time	0.00 to 3600s *If 0.00s is set, the time setting is cancelled and acceleration and deceleration is made according to the pattern given with an external signal.			F07, F08	
	Acceleration and deceleration time can be independently set and selected with digital input signal (1 point).			E10, E11	
	(Pattern) Acceleration and deceleration pattern can be selected from 4 types: Linear, S-curve (weak), S-curve (strong), Non-linear			H07	
Frequency limiter	High and Low limiters can be set.			F15 F16	
Bias frequency	Bias of set frequency and PID command can be independently set.			F18 C50 to C52	
Gain for frequency setting	Proportional relation between analog input signal and output frequency can be set. Ex. When voltage input signal is between 0 and +5V DC, the inverter can be used at +5V DC/max output frequency by setting gain to 200%.		Voltage signal (terminal 12) and current signal (terminal C1) can be set independently.	C32 to C39	
Jump frequency control	3 operation points and their common jump hysteresis width (0 to 30Hz) can be set.			C01 to C04	
Jogging operation	• Can be operated using digital input signal or keypad. • Acceleration and deceleration time (same duration used only for jogging) can be set. • Jogging frequency: 0.00 to 400.0Hz			H54 C20	
Timer operation	Operation starts and stops at the time set from keypad (1 cycle).			C21	
Auto-restart after momentary power failure	Restarts the inverter without stopping the motor after instantaneous power failure.			F14	
Slip compensation	Compensates for decrease in speed according to the load, enabling stable operation.			P09	
Current limit	Keeps the current under the preset value during operation.			F43, F44	

# Common Specifications

## Common specifications

The Compact Inverter **FRENIC-Mini**

Item	Explanation	Remarks	Related function code									
Control	PID control	PID control is possible using analog input signals. Inverse operation can be set using digital input signal (IVS) or the function code J01. Process commands  ,  key operation: Set frequency[Hz]/Max frequency[Hz] x100[%] Built-in potentiometer • Voltage input (terminal 12) : 0 to +10V DC/0 to 100% • Current input (terminal C1) : +4 to +20mA DC/0 to 100% • RS485 communication : Set frequency[Hz]/Max frequency[Hz] x100[%] Feedback signal • Voltage input (terminal 12) : 0 to 10V DC/0 to 100% • Current input (terminal C1) : +4 to +20mA DC/0 to 100%	Select the control mode with J01.  Select the kind of remote process command with J02, E60 to E62.  Feedback signal can be selected with E61, E62.	J01  J02  E60 E61 E62 J02								
	Automatic deceleration	Makes the deceleration time 3 times longer to avoid <b>OU</b> trip when DC link circuit voltage exceeds the overvoltage limit. (Set at the function code H69 : 1.)	• Trip may occur even when deceleration time is prolonged if the moment of inertia is large. • This function does not come ON during constant speed operation.	H69								
	Overload prevention control	Prevents tripping before the inverter becomes overloaded.		H70								
	Energy saving operation	• Minimizes motor losses at light load. • Can be set in accordance with the kind of load (variable torque load, constant torque load, auto torque boost).		F37								
	Fan stop operation	Detects inverter internal temperature and stops cooling fan when the temperature is low.		H06								
Indication	Running	• Speed monitor, output current [A], output voltage [V], input power [kW], PID reference, PID feedback value • Select the speed monitor to be displayed from the following: • Output frequency (before slip compensation) [Hz], output frequency (after slip compensation) [Hz], set frequency [Hz], Load shaft speed [r/min], line speed [m/min], constant rate of feeding time [min].	Speed monitor can display the speed set at E48.	E43 E48								
	Stopping	Displays the same contents as displayed during running.	Same as above	Same as above								
	Trip mode	Displays the cause of trip by codes as follows. <b>OC1</b> : Overcurrent during acceleration <b>OC2</b> : Overcurrent during deceleration <b>OC3</b> : Overcurrent at constant speed <b>Lin</b> : Input phase loss <b>LU</b> : Undervoltage <b>OPL</b> : Output phase loss <b>OU1</b> : Overvoltage during acceleration <b>OU2</b> : Overvoltage during deceleration <b>OU3</b> : Overvoltage during constant speed <b>OH1</b> : Overheating of the heat sink <b>OH2</b> : External thermal relay tripped <b>OH4</b> : Motor protection (PTC thermistor) <b>dbH</b> : Overheating of the DB circuit <b>OL1</b> : Motor overload <b>OLU</b> : Inverter unit overload <b>Er1</b> : Memory error <b>Er2</b> : KEYPAD communication error <b>Er3</b> : CPU error <b>Er6</b> : Operation procedure error <b>Er8</b> : RS485 error <b>ErF</b> : Data save error due to undervoltage	For details, refer to the protective functions (p.22).									
Running or trip mode	Trip history: Saves and displays the last 4 trip codes and their detailed description. (Even with the main power off, trip history data of the last 4 trips are retained.)	For details, refer to the instruction manual or FRENIC-Mini User's Manual.										
Protection	Overcurrent (Short-circuit) (Ground fault)	Protects and stops the inverter when the following overcurrent flows during acceleration, deceleration, or constant speed rotation: • Overcurrent caused by overload • Overcurrent caused by short-circuit in output circuit • Overcurrent caused by ground fault	Ground fault can be detected at starting.									
	Overvoltage	Stops the inverter by detecting overvoltage in DC link circuit during braking.	200V series: 400V DC    400V series: 800V DC									
	Incoming surge	Protects the inverter from surge voltage entering between main circuit power cable and earth cable.										
	Undervoltage	Stops the inverter by detecting voltage drop in DC link circuit.	200V series: 200V DC    400V series: 400V DC Details of operation can be selected with the function code F14.	F14								
	Input phase loss	Stops or protects the inverter against input phase loss.	Non-operation is also selectable.	H98								
	Output phase loss	Detects breaks in inverter output wiring at the start of running and during running, stopping the inverter output.	Non-operation is also selectable.	H98								
	Overheating (Heat sink) (Braking resistor)	Stops the inverter by detecting inverter heat sink temperature. Stops the inverter and built-in braking transistor if "discharging capability" or "average allowable loss" set for the braking resistor is exceeded more frequently than the set number of times.		F50,F51								
	Overload	Stops the inverter by detecting the output current and internal temp. To calculate the IGBT internal temp.										
	Motor protection (Electronic thermal) (PTC thermistor) (Overload early warning)	Stops the inverter to protect the motor when the set output current is exceeded. A PTC thermistor input stops the inverter to protect the motor. Warning signal can be output based on the set level before the inverter trips.	Thermal time constant can be adjusted (0.5 to 75.0min). Related transistor output: OL	F10 to F12 H26,H27 E34,E35								
	Retry function	When the motor is tripped and stopped, this function automatically resets the tripping state and restarts operation. Activated when the motor is tripped with the following trip codes: <b>OC1, OC2, OC3, OU1, OU2, OU3, OH1, OH4, dbH, OL, OLU</b>	Waiting time before resetting and the number of retry times can be set.	H04,H05								
Environment	Installation location	Shall be free from corrosive gases, flammable gases, oil mist, dusts, and direct sunlight. Indoor use only.	Pollution degree 2 when the Low Voltage Directives are used.									
	Ambient temperature	-10 to +50°C	-10 to 40°C when inverters are installed side by side without clearance.									
	Ambient humidity	5 to 95%RH (no condensation)										
	Altitude	<table border="1"> <thead> <tr> <th>Altitude [m]</th> <th>Output derating</th> </tr> </thead> <tbody> <tr> <td>1,000 or lower</td> <td>None</td> </tr> <tr> <td>1,001 to 2,000</td> <td>None</td> </tr> <tr> <td>2,001 to 3,000</td> <td>Decreases*</td> </tr> </tbody> </table>	Altitude [m]	Output derating	1,000 or lower	None	1,001 to 2,000	None	2,001 to 3,000	Decreases*	* If the altitude exceeds 2000m, insulate the interface circuit from the main power supply to conform to the Low Voltage Directives.	
	Altitude [m]	Output derating										
	1,000 or lower	None										
1,001 to 2,000	None											
2,001 to 3,000	Decreases*											
Vibration	3mm (vibration width): 2 to less than 9Hz,    9.8m/s <sup>2</sup> : 9 to less than 20Hz 2m/s <sup>2</sup> : 20 to less than 55Hz                      1m/s <sup>2</sup> : 55 to less than 200Hz											
Storage	<table border="1"> <tr> <td>Amb. temp.</td> <td>-25 to +70°C</td> </tr> <tr> <td>Amb. humidity</td> <td>5 to 95%RH (no condensation)</td> </tr> </table>	Amb. temp.	-25 to +70°C	Amb. humidity	5 to 95%RH (no condensation)							
Amb. temp.	-25 to +70°C											
Amb. humidity	5 to 95%RH (no condensation)											

## Without EMC filter type

Fig. 1

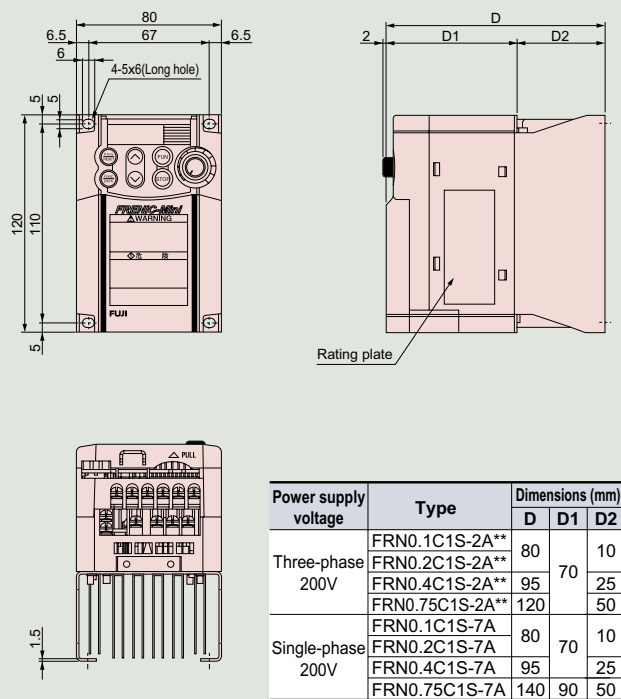


Fig. 2

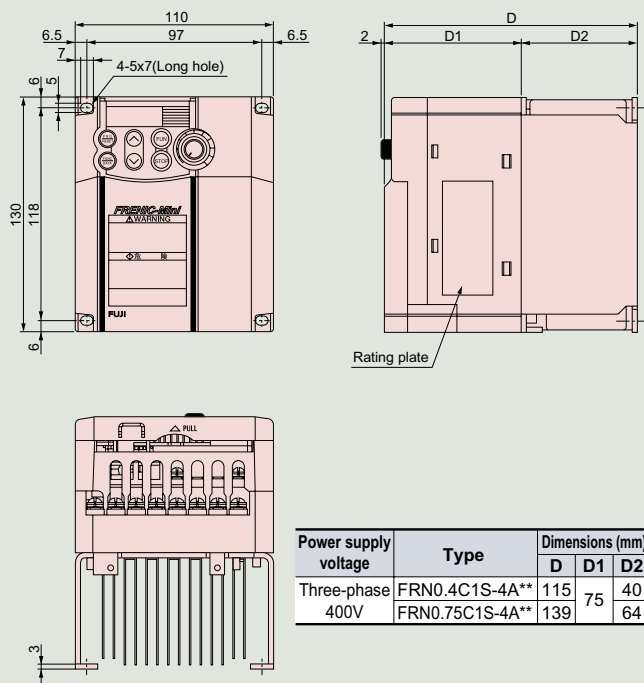


Fig. 3

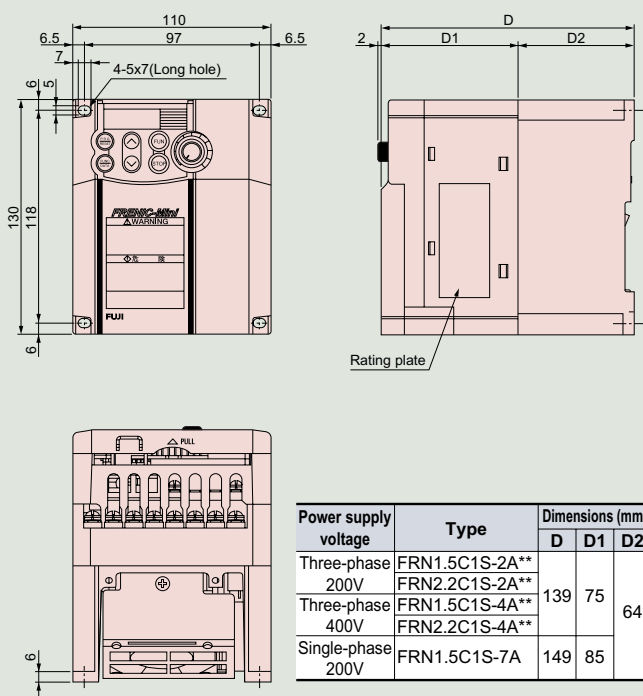
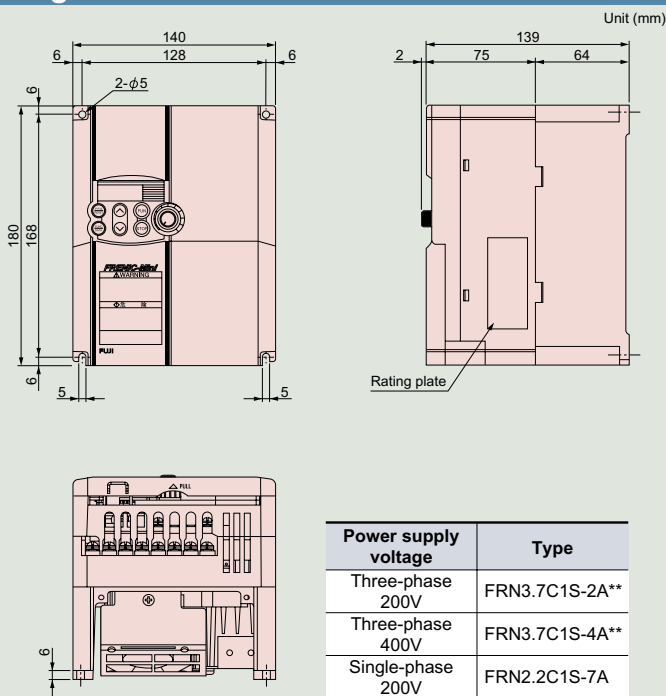


Fig. 4



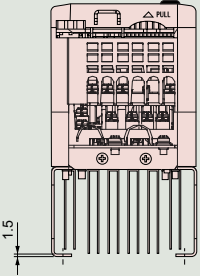
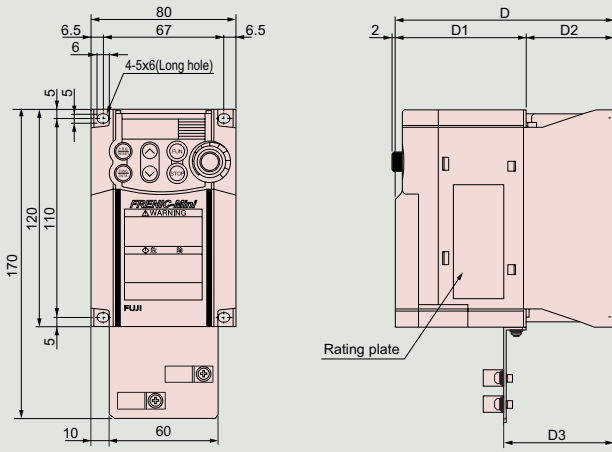
Note) The symbols \*\* followed by the inverter type FRN□□□C1S-2A represent the following numeral codes:  
21 (Braking resistor built-in type), None (Standard)



# External Dimensions

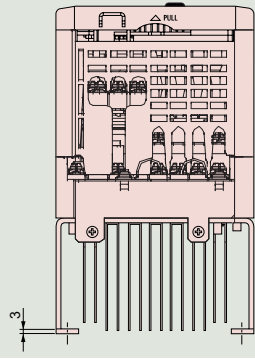
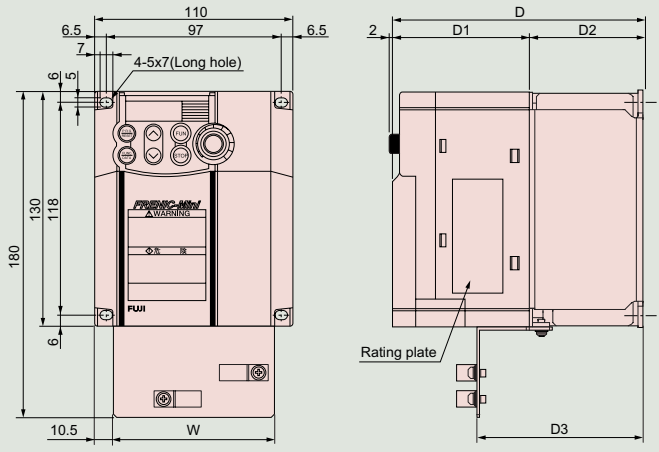
## EMC filter built-in type

Fig. 1



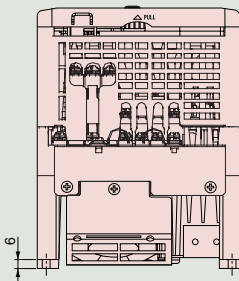
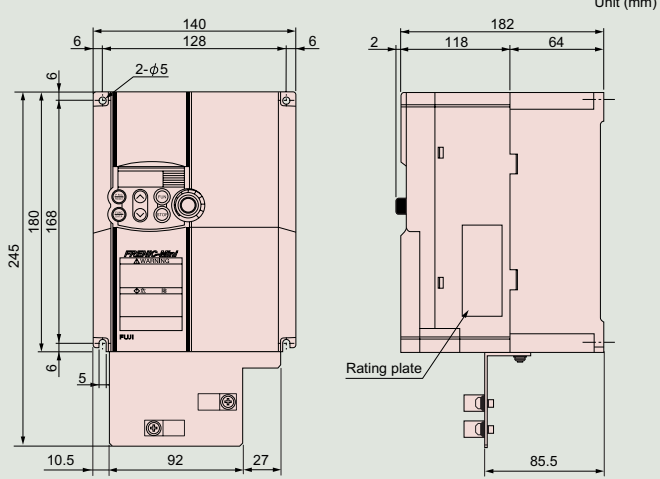
Power supply voltage	Type	Dimensions (mm)			
		D	D1	D2	D3
Three-phase 200V	FRN0.1C1E-2A	100	90	10	21.2
	FRN0.2C1E-2A	115		25	36.2
	FRN0.4C1E-2A	140	50	61.2	
Single-phase 200V	FRN0.1C1E-7A	100	90	10	21.2
	FRN0.2C1E-7A	115		25	36.2
	FRN0.4C1E-7A				

Fig. 2



Power supply voltage	Type	Dimensions (mm)				
		W	D	D1	D2	D3
Three-phase 400V	FRN0.4C1E-4A	89	158	118	40	61.5
Single-phase 200V	FRN0.75C1E-4A		182		64	85.5
	FRN0.75C1E-7A	60	139	99	40	55.2

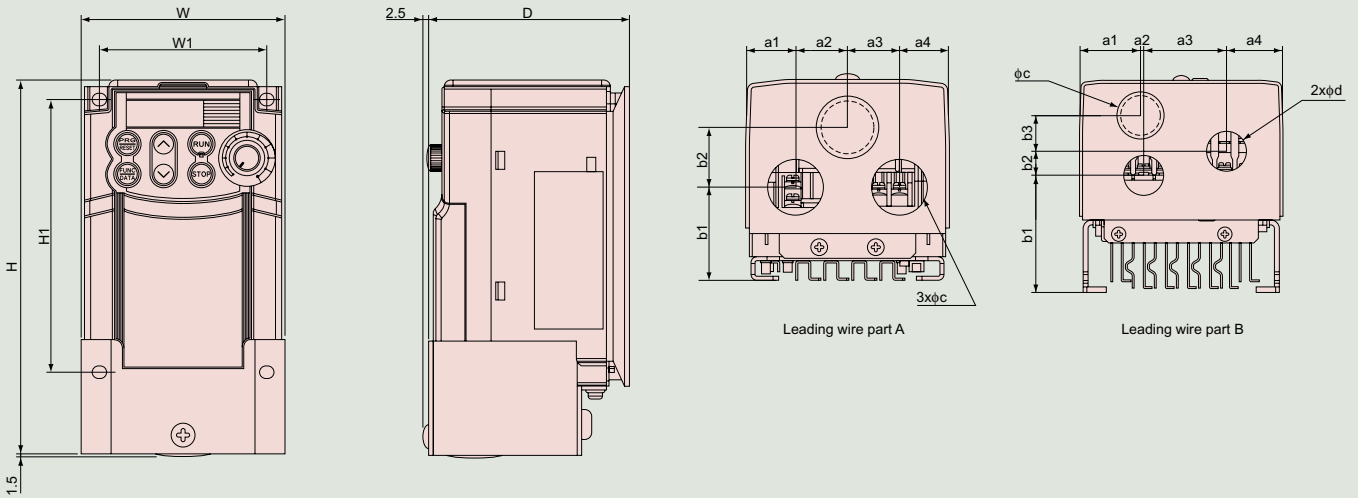
Fig. 3



Power supply voltage	Type
Three-phase 200V	FRN1.5C1E-2A
	FRN2.2C1E-2A
	FRN3.7C1E-2A
Three-phase 400V	FRN1.5C1E-4A
	FRN2.2C1E-4A
	FRN3.7C1E-4A
Single-phase 200V	FRN4.0C1E-4A
	FRN1.5C1E-7A
	FRN2.2C1E-7A

## IP40 enclosure type

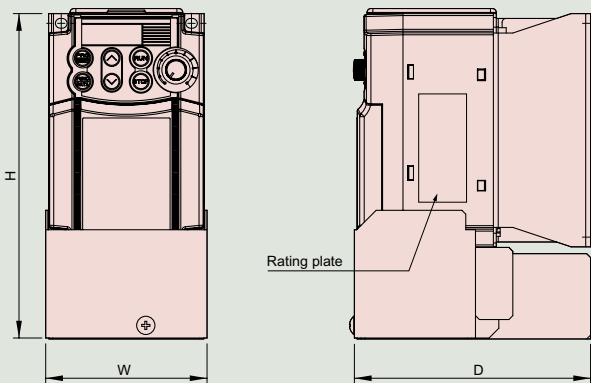
Fig.



Power supply	Inverter type	External dimensions (mm)					Leading wire part dimensions (mm)									
		W	W1	H	H1	D	a1	a2	a3	a4	b1	b2	b3	φc	φd	Leading wire part fig.
Three-phase 200V	FRN0.1C1J-2J	82.8	67	149.9	110	81.3	19.4	22	21.6	19.8	38	24	-	22	-	A
	FRN0.2C1J-2J										53					
	FRN0.4C1J-2J										78					
	FRN0.75C1J-2J	112.8	97	159.6	118	140.3	33.4	2	46	31.4	88	13	20	-	-	B
	FRN1.5C1J-2J										88					
	FRN2.2C1J-2J										88					
FRN3.7C1J-2J	142.8	128	218.2	168	116.3	32.7	0	45	65.1	86.5	13.5	21	27	-	-	-
Three-phase 400V	FRN0.4C1J-4J	112.8	97	159.6	118	140.3	33.4	2	46	31.4	64	13	20	22	22	B
	FRN0.75C1J-4J										88					
	FRN1.5C1J-4J										88					
	FRN2.2C1J-4J	142.8	128	218.2	168	116.3	32.7	0	45	65.1	86.5	13.5	21	27	-	-
	FRN3.7C1J-4J															

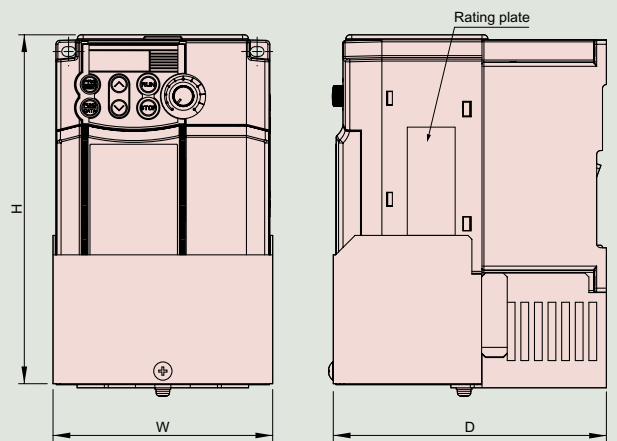
## Type1 (NEMA1) type

Fig. 1



Type	Dimensions (mm)		
	W	H	D
NEMA1-0.2C1-2	83	170	81.5
NEMA1-0.4C1-2			96.5
NEMA1-0.75C1-2			121.5
NEMA1-0.4C1-4	113	180	116.5
NEMA1-0.75C1-4			140.5
NEMA1-0.75C1-7	83	170	141.5
NEMA1-0.2C1-6	83	170	101.5
NEMA1-0.4C1-6			116.5
NEMA1-0.75C1-6			140.5

Fig. 2



Type	Dimensions (mm)		
	W	H	D
NEMA1-2.2C1-2	113	181.6	140.5
NEMA1-3.7C1-2	143	251.6	140.5
NEMA1-1.5C1-7	113	181.6	150.5

Note) • The above dimensions are for the inverter enclosed with the optional NEMA1 kit.

# Keypad Operations

## Keypad switches and functions

The Compact Inverter *FRENIC-Mini*

### LED monitor

#### When the motor is running or stopped:

The monitor displays the speed monitor (such as output frequency before slip compensation, after slip compensation, set frequency, motor speed, load shaft speed), output voltage, output current, output voltage, and input power.

#### Alarm mode:

The monitor shows the cause of trip with a fault code.

### Program/Reset key

Used to change the mode.

#### Programming mode:

Used to shift the digit (cursor movement) to set function codes or data.

#### Alarm mode:

Resets a trip.

### Function/Data select key

Used to change the LED monitor and to store the function codes and data.

### Up/Down keys

#### During operation:

Used to increase or decrease the frequency or motor speed.

#### In data setting:

Used to increase or decrease the function code number or data set value.

### Run key

Used to start the operation.

#### While the motor is stopped:

This key is invalid if the function code **F 02** is set to **1** (operation by external signals).



### Potentiometer

Used to set the frequency, or make auxiliary frequency setting 1, 2, and issue the PID process commands.

### Stop key

Used to stop the operation.

#### During operation:

This key is invalid if the function code **F 02** is set to **1** (operation by external signals).

The inverter stops when the function code **H 96** is set to **1** or **3**.

## Monitor display and key operation The keypad modes are classified in the following 3 modes.

The Compact Inverter *FRENIC-Mini*

Monitor, keys		Operation mode		Programming mode		Running mode		Alarm mode
		STOP	RUN	STOP	RUN			
Monitor		Function	Displays the function code or data code.		Displays the output frequency, set frequency, loaded motor speed, input power, output current, output voltage, and motor speed.		Displays the trip content or alarm history.	
	Display	ON			Blinking	ON	Blinking/ON	
Keys		Function	Switches to stop mode.	Switches to running mode.	Switches to programming mode (STOP).	Switches to programming mode (RUN).	Releases the trip and switches to stop mode.	
		Function	Digit shift (cursor movement) in function code/data setting		Switches the LED monitor display.		Displays the operation information.	
		Function	Changes the display between function code and data code, stores data code, and updates then function code.		Increases/decreases the frequency, motor speed, and line speed to be set.		Displays the alarm history.	
		Function	Increases/decreases the function code number and data code.		Invalid	Switches to running mode (RUN).	Invalid	Invalid
		Function	Invalid	Invalid	Switches to programming mode (STOP).	Invalid	Switches to running mode (STOP).	Invalid

This keypad supports a full menu mode which allows you to set or display the following information. Changed function code, operation monitor, I/O check, maintenance information, and trip information For details, refer to the FRENIC-Mini Instruction Manual or User's Manual.

## Terminal Functions

 The Compact Inverter **FRENIC-Mini**

	Symbol	Terminal name	Functions	Remarks	Related function code																																																		
Main circuit	L1/R, L2/S, L3/T	Power input	Connect a three-phase power supply.	Three-phase 200V, 400V series																																																			
	L1/L, □, L2/N		Connect a single-phase power supply. (□ indicates the empty terminal.)	Single-phase 200V, 100V series																																																			
	U, V, W	Inverter output	Connect a three-phase induction motor.																																																				
	P(+), P1	For DC REACTOR	Connect the DC REACTOR.																																																				
	P(+), N(-)	For DC bus connection	Used for DC bus connection system.																																																				
	P(+), DB	For EXTERNAL BRAKING RESISTOR	Used for connection of the optional external BRAKING RESISTOR.	Wiring is required for the braking resistor built-in type.																																																			
⊕ G	Grounding	Ground terminal for inverter chassis	Two terminals are provided.																																																				
Analog input	13	Potentiometer power supply	+10V DC power supply for frequency setting potentiometer (1 to 5kΩ)	Allowable maximum output current: 10mA																																																			
	12	Voltage input  (Inverse operation)  (PID control)  (Frequency aux. setting)	0 to +10V DC / 0 to 100% 0 to +5V DC / 0 to 100% or +1 to +5V DC / 0 to 100% can be selected by function setting. +10 to +0V DC / 0 to 100% (switchable by digital input signal)	Input impedance: 22kΩ Allowable maximum input voltage: 15V DC If input voltage is +10V DC or over, the inverter assumes it to be +10V DC.	F18, C32 to C34																																																		
			Used for reference signal (PID process command) or PID feedback signal.		E61																																																		
			Used as additional auxiliary setting to various main settings of frequency.		E61																																																		
	C1	Current input  (Inverse operation)  (PID control)  (For PTC thermistor)  (Frequency aux. setting)	+4 to +20mA DC / 0 to 100% +20 to +4mA DC / 0 to 100% (switchable by digital input signal)	Input impedance: 250Ω Allowable maximum input current: +30mA DC If input voltage is +20mA DC or over, the inverter assumes it to be +20mA DC.	F18, C35 to C37																																																		
			Used for reference signal (PID process command) or PID feedback signal.		E62																																																		
			Connects PTC thermistor for motor protection.	Connect external resistor 1kΩ to terminal 13 - C1.	H26, H27																																																		
			Used as additional auxiliary setting to various main settings of frequency.		E62																																																		
	11	Common	Common for analog input/output signals (12, 13, C1)	Isolated from terminal CM and Y1E..																																																			
	Digital input	X1	Digital input 1	The following functions can be set at terminals X1 to X3, FWD, and REV for signal input. (FWD and REV functions are factory-set at FWD and REV terminals, respectively. <Common function> Sink/Source changeover function: Sink and source are changeable using the built-in jumper switch. Contact activation mode changeover function: ON timing can be changed between short-circuit of terminals X1 and CM and open circuit of them. The same setting is possible between CM and any of the terminals among X2, X3, FWD, and REV.	<ON state> • Source current: 2.5 to 5mA (When input voltage is 0V) • Maximum input voltage: 2V <OFF state> • Allowable maximum leakage current: 0.5mA • Maximum terminal voltage: 22 to 27V	E01 to E03																																																	
X2		Digital input 2																																																					
X3		Digital input 3																																																					
FWD		Forward operation command	Contact activation mode changeover function: ON timing can be changed between short-circuit of terminals X1 and CM and open circuit of them. The same setting is possible between CM and any of the terminals among X2, X3, FWD, and REV.		E98, E99																																																		
REV		Reverse operation command																																																					
(FWD)		Forward operation command	(FWD): ON The motor runs in the forward direction. (FWD): OFF The motor decelerates and stops.	When FWD and REV are simultaneously ON, the motor decelerates and stops. This function can be set only for the terminals FWD and REV.	C05 to C11																																																		
(REV)		Reverse operation command	(REV): ON The motor runs in the reverse direction. OFF The motor decelerates and stops.																																																				
(SS1) (SS2) (SS4)		Multistep freq. selection	2 (0, 1) different frequencies are selectable. 4 (0 to 3) different frequencies are selectable. 8 (0 to 7) different frequencies are selectable. Frequency 0 indicates the frequency set by the keypad, built-in potentiometer or analog signal.	<table border="1"> <thead> <tr> <th colspan="2"></th> <th colspan="8">Frequency</th> </tr> <tr> <th>Digital input</th> <th></th> <th>0</th> <th>1</th> <th>2</th> <th>3</th> <th>4</th> <th>5</th> <th>6</th> <th>7</th> </tr> </thead> <tbody> <tr> <td>(SS1)</td> <td>—</td> <td>ON</td> <td>—</td> <td>ON</td> <td>—</td> <td>ON</td> <td>—</td> <td>ON</td> <td>—</td> </tr> <tr> <td>(SS2)</td> <td>—</td> <td>—</td> <td>ON</td> <td>ON</td> <td>—</td> <td>—</td> <td>—</td> <td>ON</td> <td>ON</td> </tr> <tr> <td>(SS4)</td> <td>—</td> <td>—</td> <td>—</td> <td>—</td> <td>—</td> <td>ON</td> <td>ON</td> <td>ON</td> <td>ON</td> </tr> </tbody> </table>			Frequency								Digital input		0	1	2	3	4	5	6	7	(SS1)	—	ON	—	ON	—	ON	—	ON	—	(SS2)	—	—	ON	ON	—	—	—	ON	ON	(SS4)	—	—	—	—	—	ON	ON	ON	ON	
		Frequency																																																					
Digital input			0	1	2	3	4	5	6	7																																													
(SS1)		—	ON	—	ON	—	ON	—	ON	—																																													
(SS2)		—	—	ON	ON	—	—	—	ON	ON																																													
(SS4)		—	—	—	—	—	ON	ON	ON	ON																																													
(RT1)		ACC/DEC time selection	(RT1): ON ACC/DEC time 2 is effective. (RT1): OFF ACC/DEC time 1 is effective.	Switchable during ACC/DEC operation	E10, E11																																																		
(HLD)		3-wire operation stop command	Used for 3-wire operation. (HLD): ON The inverter self-holds FWD or REV signal. (HLD): OFF The inverter releases self-holding.																																																				
(BX)		Coast-to-stop command	(BX): ON The inverter output is shut off immediately and the motor will coast-to-stop.	No alarm signal will be output.																																																			
(RST)		Alarm reset	(RST): ON Faults are reset.	ON signal should be held for more than 0.1s.																																																			
(THR)	Trip command (External fault)	(THR): OFF The inverter output is shut off and the motor coasts-to-stop.	Alarm signal <b>OH2</b> will be output.																																																				
(JOG)	Jogging operation	(JOG): ON JOG frequency is effective. (FWD):ON or (REV): ON The inverter operates with JOG frequency.		C20, H54																																																			
(Hz2/Hz1)	Freq. set 2/ Freq. set 1	(Hz2):ON or (Hz1): ON Freq. set 2 is effective.		F01, C30																																																			
(WE-KP)	Write enable for KEYPAD	(WE-KP): ON The function code data can be changed from the keypad.	Data can be changed when this function is not allocated.																																																				
(Hz/PID)	PID control cancel	(Hz/PID): ON The PID control is canceled, and frequency set by multistep frequency, keypad or analog input.		J01 to J06 F01, C30																																																			
(IVS)	Inverse mode changeover	(IVS): ON Operation mode (normal operation/ inverse operation) can be changed.																																																					
(LE)	Link enable (RS485, Bus)	(LE): ON The link operation is effective. (RS485 or Bus (Option))		H30, y99																																																			
(PID-RST)	PID integral/differential reset	(PID-RST): ON PID integration and differentiation are reset.																																																					
(PID-HLD)	PID integral hold	(PID-HLD): ON PID integration is temporarily stopped.																																																					
PLC	PLC terminal	Connect to PLC output signal power supply. Common for 24V power (terminal P24).	+24V 50mA max.																																																				
CM	Common	Common for digital input signal.	Isolated from terminal 11 and Y1E.																																																				

# Terminal Functions

## Terminal Functions

The Compact Inverter **FRENIC-Mini**

	Symbol	Terminal name	Functions	Remarks	Related function code
Analog output	FMA	Analog monitor	<ul style="list-style-type: none"> <li>Output frequency (Before slip compensation)</li> <li>Output frequency (After slip compensation)</li> <li>Input power</li> <li>PID feedback value</li> <li>DC link circuit voltage</li> <li>Analog output test (+)</li> </ul>	Voltage output: 0 to 10V Max. current: 2mA Up to two analog voltmeters can be connected.	F30,F31
	11	Common	Common for analog input/output signals (FMA).	Insulated from the terminals CM and Y1E.	
Transistor output	Y1	Transistor output	The following functions can be set at terminal Y1, signal output. • Contact activation mode changeover function: ON timing can be changed by shorting terminals Y1 and Y1E and opening them.	27V max., 50mA max. OFF state maximum leakage current: 0.1mA ON state maximum output voltage: 2V at 50mA	E20
	(RUN)	Inverter running (speed exists)	Comes ON when the output frequency is higher than starting frequency.		
	(RUN2)	Inverter output on	Comes on when the output frequency is higher than the starting frequency or DC injection brake is applied.		
	(FAR)	Speed/freq. arrival	Comes ON when the motor speed reaches the set frequency. (Condition: Operation command is ON.)	FAR hysteresis width (fixed): 2.5Hz	
	(FDT)	Speed/freq. detection	Comes ON when the output frequency is above the detectable level and goes OFF when below the detectable level.	Hysteresis width (fixed): 1.0Hz	E31
	(LV)	Undervoltage detection	Comes ON when the inverter stops because of undervoltage while the operation command is ON.		
	(IOL)	Inverter output limit (limit on current)	Comes ON when the inverter is limiting the current.		F43,F44
	(IPF)	Auto-restarting	Comes ON during auto restart operation (after momentary power failure and until completion of restart)		F14
	(OL)	Overload early warning (motor)	Comes ON when the electronic thermal relay value is higher than the preset alarm level.		F10 to F12
	(TRY)	Auto-resetting mode	Comes ON during auto reset mode.		H04,H05
	(LIFE)	Lifetime alarm	Outputs alarm signal according to the preset lifetime level.		H42,H43,H98
	(OLP)	Overload preventive control	Comes ON during inverter control for avoiding overload.		H70
	(ID)	Current detection	Comes ON when a current larger than the set value has been detected for the timer-set time.		E34,E35
(IDL)	Small current detection	Comes ON when a current smaller than the set value has been detected for the timer-set time.		E34,E35	
(ALM)	Alarm relay (for any fault)	Alarm signal is output as the transistor output signal.			
	Y1E	Transistor output common	Emitter output of transistor output signal (Y1)	Isolated from terminal 11 and CM.	
Relay output	30A,30B,30C	Alarm relay output (for any fault)	<ul style="list-style-type: none"> <li>Outputs a contact signal (SPDT) when a protective function is activated to stop inverter.</li> <li>This terminal can be used as the multi-purpose relay output signal. (Possible to select a terminal similar to Y1 for transistor output signal and use it for signal output.)</li> <li>Contact activation mode can be changed between the following two cases: "terminals 30A and 30C are shorted by ON signal output" or "terminals 30B and 30C" are shorted by ON signal output"</li> </ul>	Contact rating : 250V AC, 0.3A, cosφ=0.3	E27
LINK	RS485 port connector *1	RS485 I/O terminal	<ul style="list-style-type: none"> <li>Used to connect the inverter with the remote keypad to supply the power to the keypad.</li> <li>Used to connect the inverter with PC or PLC using RS-485 port.</li> </ul>	RJ45 connector is used. For the transmission specifications, refer to page 25.	H30 y01 to y10, y99

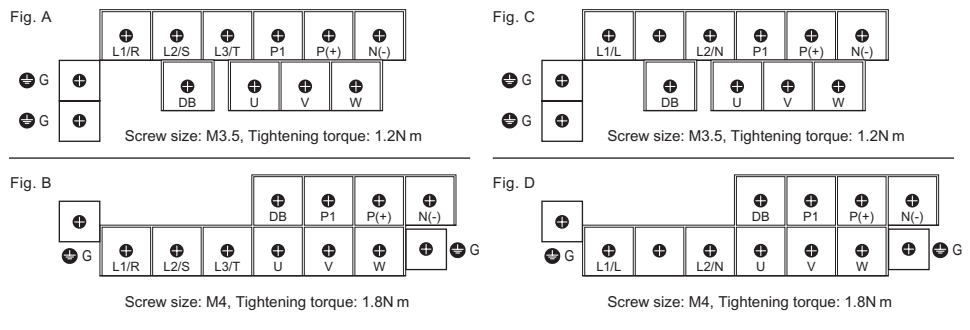
\*1) This terminal is valid when the standard inverter is equipped with RS-485 communication card (option).

## Terminal Arrangement

The Compact Inverter **FRENIC-Mini**

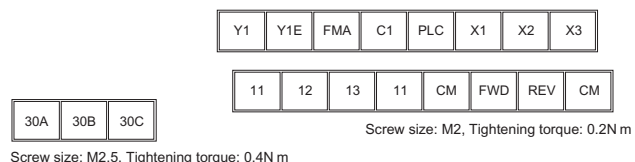
### Main circuit terminals

Power source	Nominal applied motor (kW)	Inverter type	Reference
Three-phase 200V	0.1	FRN0.1C1□-2A**	Fig. A
	0.2	FRN0.2C1□-2A**	
	0.4	FRN0.4C1□-2A**	
	0.75	FRN0.75C1□-2A**	
	1.5	FRN1.5C1□-2A**	
	2.2	FRN2.2C1□-2A**	
Three-phase 400V	0.4	FRN0.4C1□-4A**	Fig. B
	0.75	FRN0.75C1□-4A**	
	1.5	FRN1.5C1□-4A**	
	2.2	FRN2.2C1□-4A**	
	3.7	FRN3.7C1□-4A**	
	0.1	FRN0.1C1□-7A	
0.2	FRN0.2C1□-7A		
0.4	FRN0.4C1□-7A		
0.75	FRN0.75C1□-7A		
1.5	FRN1.5C1□-7A		
2.2	FRN2.2C1□-7A	Fig. D	



### Control circuit terminals (common to all the inverter models)

Note) For the inverter type FRN0.1C1□2A\*\*, the symbol □ is replaced with either of the following alphabets and \*\* is replaced with any of the following numeral codes:  
□ S (Standard type), E (EMC filters built-in type), \*\*: 21 (Braking resistor built-in type), None (Standard type)  
The inverter applicable to RS-485 communication is limited to the standard ones in three-phase 200V and three-phase 400V series.  
The braking resistor built-in type is limited to the inverters for 1.5kW or larger.



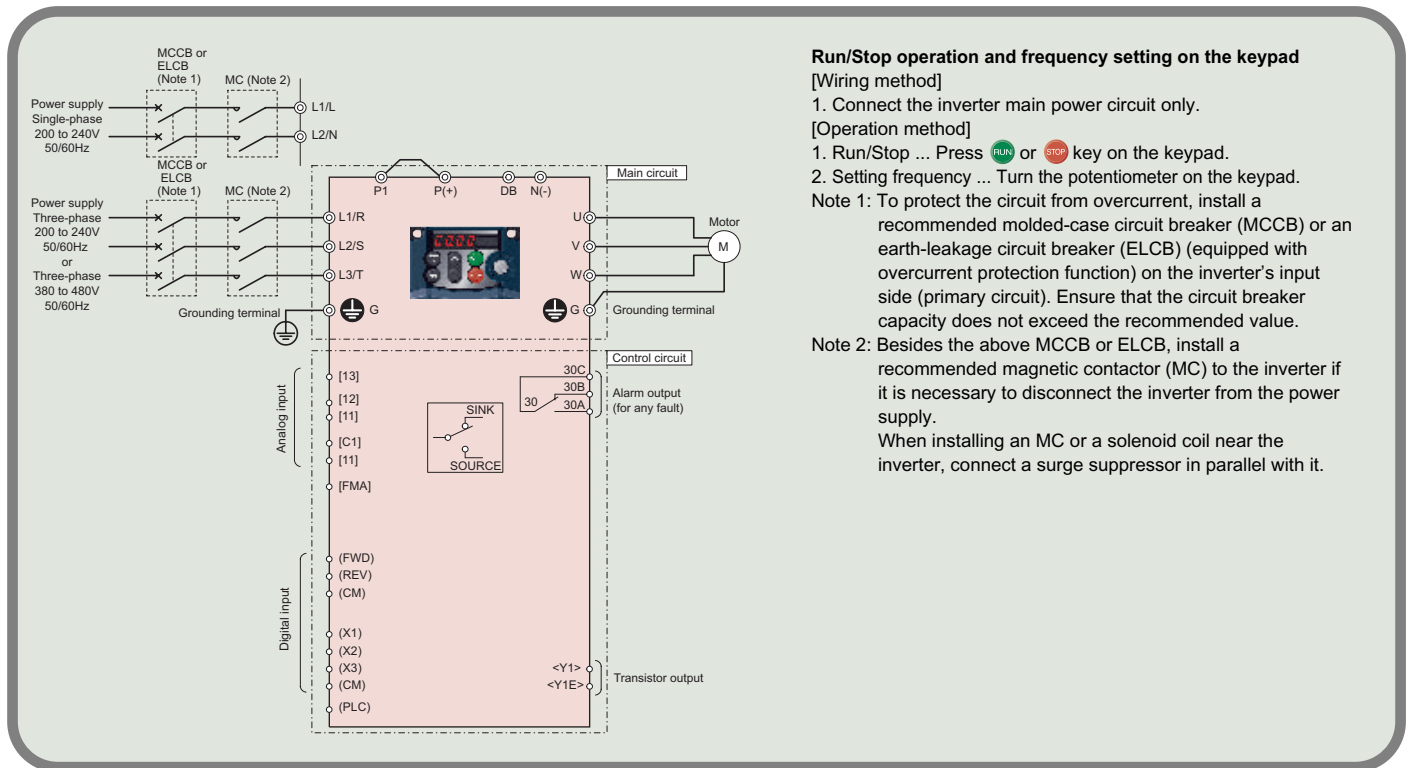


## Basic wiring diagram

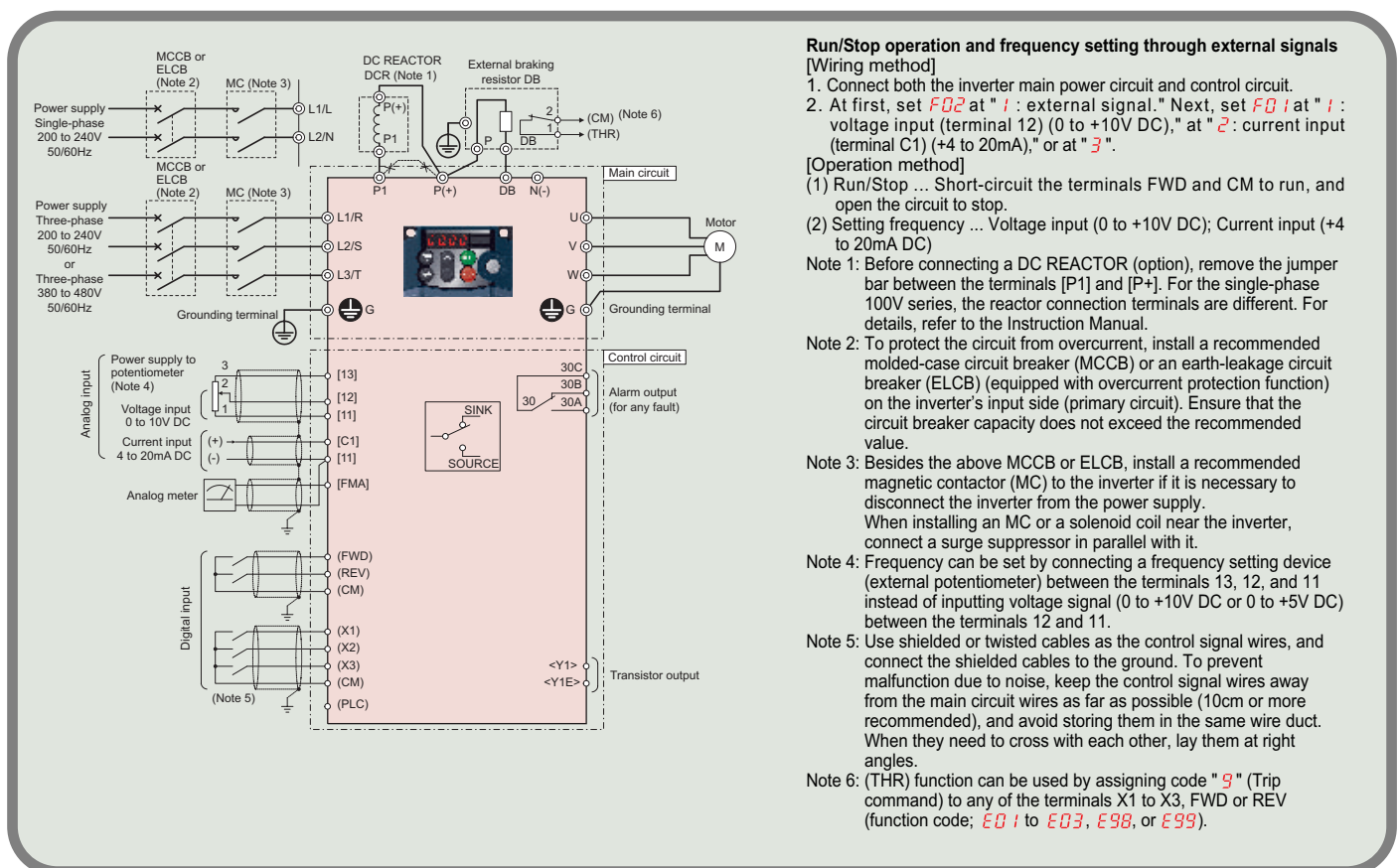
The Compact Inverter **FRENIC-Mini**

The following diagram is for reference only. For detailed wiring diagrams, refer to the Instruction Manual.

### Keypad operation



### Operation by external signal inputs



# Function Settings

## Function Settings

The Compact Inverter **FRENIC-Mini**

### Fundamental Functions: F codes

Func. code	Name	Data setting range	Min.	Unit	Factory setting
F00	Data Protection	0 : Disable data protection 1 : Enable data protection	—	—	0
F01	Frequency Command 1	0 : Keypad operation (▲ or ▼ key) 1 : Analog voltage input (terminal 12) (0 to +10V DC) 2 : Analog current input (terminal C1) (+4 to +20mA DC) 3 : Analog voltage input (terminals 12) and analog current input (terminal C1) 4 : Potentiometer on the keypad	—	—	4
F02	Running/Stopping and Rotational Direction	0 : Keypad operation (FWD/REV change by external signal) 1 : External signal (Digital input) 2 : Keypad operation (FWD) 3 : Keypad operation (REV)	—	—	2
F03	Maximum Frequency	25.0 to 400.0Hz	0.1	Hz	60.0
F04	Base Frequency	25.0 to 400.0Hz	0.1	Hz	60.0
F05	Rated Voltage (at base frequency)	0V : Voltage in proportion to power supply voltage 80 to 240V : AVR active (200V series) 160 to 500V : AVR active (400V series)	1	V	0
F07	Acceleration Time 1	0.00 to 3600s : *0.00 means acceleration time ignored (External soft start/stop)	0.01	s	6.00
F08	Deceleration Time 1	0.00 to 3600s : *0.00 means deceleration time ignored (External soft start/stop)	0.01	s	6.00
F09	Torque Boost	0.0 to 20.0% (percentage against F05: Rated voltage) *Setting becomes valid when F37 is set at 0, 1, 3 or 4.	0.1	%	Fuji's standard torque boost
F10	Electronic Thermal Overload for motor protection (Select the motor property)	1 : For motor with self-cooled fan, standard motor 2 : For motor with forced-cooled fan	—	—	1
F11	(Overload detection level)	0.00%(Inactive), Approx. 1 to 135% of inverter rated current	0.01	A	Rated current of Fuji's standard motor
F12	(Thermal time constant)	0.5 to 75.0min	0.1	min	5.0
F14	Restart Mode after Instantaneous Power Failure	0 : Inactive (Trips immediately without restart when power fails.) 1 : Inactive (Trips without restart when power recovers.) 4 : Active (Restarts at frequency output at power failure, for general load) 5 : Active (Restarts at starting frequency, for low-inertia load)	—	—	1
F15	Frequency Limiter (Peak)	0.0 to 400.0Hz	0.1	Hz	70.0
F16	(Bottom)	0.0 to 400.0Hz	0.1	Hz	0.0
F18	Bias (for Frequency Command 1)	-100.00 to 100.00%	0.01	%	0.00
F20	DC Braking (Starting frequency)	0.0 to 60.0Hz	0.1	Hz	0.0
F21	(Braking level)	0 to 100%	1	%	0
F22	(Braking time)	0.00 (Inactive), 0.01 to 30.00s	0.01	s	0.00
F23	Starting Frequency	0.1 to 60.0Hz	0.1	Hz	1.0
F25	Stop Frequency	0.1 to 60.0Hz	0.1	Hz	0.2
F26	Motor Sound (Carrier frequency)	0.75 to 15kHz	1	kHz	2
F27	(Sound tone)	0 : Level 0 1 : Level 1 2 : Level 2 3 : Level 3	—	—	0
F30	Terminal [FMA] (Gain to output voltage)	0 to 200%	1	%	100
F31	Analog Output Signal Selection for [FMA] (Monitor object)	Selects from the following items by code. 0 : Output frequency (before slip compensation) 1 : Output frequency (after slip compensation) 2 : Output current 3 : Output voltage 6 : Input power 7 : PID feedback value 9 : DC link circuit voltage 14 : Analog output test (+)	—	—	0
F37	Load Selection/Auto Torque Boost/Auto Energy Saving Operation	0 : Variable torque load 1 : Constant torque load 2 : Auto-torque boost 3 : Auto-energy saving operation (Variable torque load during acceleration and deceleration) 4 : Auto-energy saving operation (Constant torque load during acceleration and deceleration) 5 : Auto-energy saving operation (Auto-torque boost during acceleration and deceleration)	—	—	1
F43	Current Limiter (Operation condition)	0 : Inactive 1 : At constant speed (Inactive during acceleration/deceleration) 2 : During acceleration and at constant speed (Inactive during deceleration)	—	—	0
F44	(Limiting level)	20 to 200% (Inverter rated current standard)	1	%	200
F50	Electronic Thermal Overload Relay (for braking resistor) (Discharging capability)	0 (Braking resistor built-in type) 1 to 900kW, 999(cancel)	1	kWs	999 (Without braking resistor) 0 (With braking resistor)
F51	(Allowable average loss)	0.000 (Braking resistor built-in type) 0.001 to 50.000kW	0.001	kW	0.000

## Function Settings

The Compact Inverter **FRENIC-Mini**

### Extension Terminal Functions: E codes

Func. code	Name	Data setting range	Min.	Unit	Factory setting	
<b>E01</b>	Terminal Command Assignment to: [X1] [X2] [X3]	Selects from the following items by code.	—	—	0	
<b>E02</b>			—	—	7	
<b>E03</b>				—	—	8
		0 : (1000) Multistep freq. selection (0 to 1 step) [SS1] 1 : (1001) Multistep freq. selection (0 to 3 step) [SS2] 2 : (1002) Multistep freq. selection (0 to 7 step) [SS4] 4 : (1004) ACC/DEC time selection (2 steps) [RT1] 6 : (1006) 3-wire operation stop command [HLD] 7 : (1007) Coast-to-stop command [BX] 8 : (1008) Alarm reset [RST] 9 : (1009) Trip command (External fault) [THR] 10 : (1010) Jogging operation [JOG] 11 : (1011) Freq. set 2 / Freq. set 1 [Hz2/Hz1] 19 : (1019) Write enable for keypad (Data changeable) [WE-KP] 20 : (1020) PID control cancel [Hz/PID] 21 : (1021) Normal/Inverse mode changeover [IVS] 24 : (1024) Link enable (RS-485 (standard), BUS (option)) [LE] 33 : (1033) PID integration/differentiation reset [PID-RST] 34 : (1034) PID integration hold [PID-HLD]				
		*The number in ( ) indicates logical inverse. (OFF when short-circuited)				
<b>E10</b>	<b>Acceleration Time 2</b>	0.00 to 3600s	0.01	s	6.00	
<b>E11</b>	<b>Deceleration Time 2</b>	0.00 to 3600s	0.01	s	6.00	
<b>E20</b>	Status Signal Assignment to: [Y1] [30A, B, C] (Mechanical relay contacts)	Selects from the following items by code.	—	—	0	
<b>E27</b>			—	—	99	
		0 : (1000) Inverter running [RUN] 1 : (1001) Frequency equivalence signal [FAR] 2 : (1002) Frequency level detection [FDT] 3 : (1003) Undervoltage detection signal [LV] 5 : (1005) Torque limiting (Current limiting) [IOL] 6 : (1006) Auto-restarting [IPF] 7 : (1007) Motor overload early warning [OL] 26 : (1026) Retry in operation [TRY] 30 : (1030) Lifetime alarm [LIFE] 35 : (1035) Inverter running [RUN2] 36 : (1036) Overload preventive control [OLP] 37 : (1037) Current detection [ID] 41 : (1041) Low level current detection [IDL] 99 : (1099) Alarm relay output (for any fault) [ALM]				
		*The number in ( ) indicates logical inverse. (OFF when short-circuited)				
<b>E31</b>	<b>Frequency Detection (FDT) (Detection level)</b>	0.0 to 400.0Hz	0.1	Hz	60.0	
<b>E34</b>	<b>Overload Early Warning/Current Detection/ Low Current Detection (Level)</b>	0.00(Inactive), 1 to 200% of inverter rated current	0.01	A	Rated current of Fuji's standard motor	
<b>E35</b>	<b>Current Detection/Low Current Detection (Timer)</b>	0.01 to 600.00s	0.01	s	10.00	
<b>E39</b>	<b>Coefficient for Constant Feeding Rate Time</b>	0.000 to 9.999	0.001	—	0.000	
<b>E40</b>	<b>PID Display Coefficient A</b>	-999 to 0.00 to 999	0.01	—	100	
<b>E41</b>	<b>PID Display Coefficient B</b>	-999 to 0.00 to 999	0.01	—	0.00	
<b>E43</b>	<b>Monitor Item Selection</b>	0 : Speed monitor (select by E48) 9 : Input power 3 : Output current 10 : PID final command value 4 : Output voltage 12 : PID feedback value 13 : Timer value (timer operation)	—	—	0	
<b>E45</b>	See Note 2.					
<b>E46</b>						
<b>E47</b>						
<b>E48</b>	<b>LED Monitor (Speed monitor item)</b>	0 : Output frequency (before slip compensation) 1 : Output frequency (after slip compensation) 2 : Setting frequency 4 : Load shaft speed 5 : Line speed 6 : Constant rate of feeding time	—	—	0	
<b>E50</b>	<b>Coefficient for Speed Indication</b>	0.01 to 200.00	0.01	—	30.00	
<b>E52</b>	<b>Keypad (Menu display mode)</b>	0 : Function code data setting menu only 1 : Data verification menu only 2 : All menu	—	—	0	

Note 1: The above setting ranges may be limited by the signs or the number of digits.

Note 2: The inverter does not use the codes **E45** to **E47** though they are displayed.

&lt;Changing, reflecting or storing data during operation&gt;

 : Disable  : Change with   keys and then save or reflect with  key.  : Change or reflect with   keys and then save with  key.

# Function Settings

## Function Settings

The Compact Inverter **FRENIC-Mini**

### Extension Terminal Functions: E codes

Func. code	Name	Data setting range	Min.	Unit	Factory setting
<b>E60</b>	<b>Built-in Potentiometer (Function selection)</b>	Selects from the following functions by code. 0 : No function selection      2 : Aux. freq. setting 2 1 : Aux. freq. setting 1      3 : PID process command 1	—	—	0
<b>E61</b> <b>E62</b>	<b>Analog Input Signal Definition for: [12] [C1]</b>	Selects from the following functions by code. 0 : No function selection      3 : PID process command 1 1 : Aux. freq. setting 1      5 : PID feedback value 2 : Aux. freq. setting 2	—	—	0
<b>E98</b> <b>E99</b>	<b>Terminal Command Assignment to: [FWD] [REV]</b>	Selects from the following items by code. 0 : (1000) Multistep freq. selection (0 to 1 step) [SS1] 1 : (1001) Multistep freq. selection (0 to 3 step) [SS2] 2 : (1002) Multistep freq. selection (0 to 7 step) [SS4] 4 : (1004) ACC/DEC time selection (2 steps) [RT1] 6 : (1006) 3-wire operation stop command [HLD] 7 : (1007) Coast-to-stop command [BX] 8 : (1008) Alarm reset [RST] 9 : (1009) Trip command (External fault) [THR] 10 : (1010) Jogging operation [JOG] 11 : (1011) Freq. set 2 / Freq. set 1 [Hz2/Hz1] 19 : (1019) Write enable for keypad (Data changeable) [WE-KP] 20 : (1020) PID control cancel [Hz/PID] 21 : (1021) Normal/Inverse mode changeover [IVS] 24 : (1024) Link enable (RS-485 (standard), BUS (option)) [LE] 33 : (1033) PID integration/differentiation reset [PID-RST] 34 : (1034) PID integration hold [PID-HLD] 98 : Forward operation command [FWD] 99 : Reverse operation command [REV]  *The number in ( ) indicates logical inverse. (OFF when short-circuited)	—	—	98 99

### Control Functions of Frequency: C codes

Func. code	Name	Data setting range	Min.	Unit	Factory setting
<b>C01</b> <b>C02</b> <b>C03</b>	<b>Jump Frequency 1 2 3</b>	0.0 to 400.0Hz	0.1	Hz	0.0 0.0 0.0
<b>C04</b>	<b>Jump Frequency Band</b>	0.0 to 30.0Hz	0.1	Hz	3.0
<b>C05</b> <b>C06</b> <b>C07</b> <b>C08</b> <b>C09</b> <b>C10</b> <b>C11</b>	<b>Multi-step Frequency Settings 1 2 3 4 5 6 7</b>	0.00 to 400.00Hz	0.01	Hz	0.00 0.00 0.00 0.00 0.00 0.00 0.00
<b>C20</b>	<b>Jogging Frequency</b>	0.00 to 400.00Hz	0.01	Hz	0.00
<b>C21</b>	<b>Timer Operation</b>	0 : Inactive      1 : Active	—	—	0
<b>C30</b>	<b>Frequency Command 2</b>	0 : Keypad operation (▲ or ▼ key) 1 : Analog voltage input (terminal 12) (0 to +10V DC) 2 : Analog current input (terminal C1) (+4 to +20mA DC) 3 : Analog voltage input (terminals 12) and analog current input (terminal C1) 4 : Potentiometer on the keypad	—	—	2
<b>C32</b>	<b>Analog Input Adjustment (Gain)</b>	0.00 to 200.00%	0.01	%	100.0
<b>C33</b>	<b>(Gain for terminal input [12]) (Filter)</b>	0.00 to 5.00s	0.01	s	0.05
<b>C34</b>	<b>(Gain reference point)</b>	0.00 to 100.00%	0.01	%	100.0
<b>C37</b>	<b>Analog Input Adjustment (Gain)</b>	0.00 to 200.00%	0.01	%	100.0
<b>C38</b>	<b>(Gain for terminal input [C1]) (Filter)</b>	0.00 to 5.00s	0.01	s	0.05
<b>C39</b>	<b>(Gain reference point)</b>	0.00 to 100.00%	0.01	%	100.0
<b>C50</b>	<b>Bias(Frequency command 1) (Bias reference point)</b>	0.00 to 100.00%	0.01	%	0.00
<b>C51</b>	<b>Bias (PID command 1) (Bias value)</b>	-100.00 to 100.00%	0.01	%	0.00
<b>C52</b>	<b>(Bias reference point)</b>	0.00 to 100.00%	0.01	%	0.00

### Motor Parameters: P codes

Func. code	Name	Data setting range	Min.	Unit	Factory setting
<b>P02</b>	<b>Motor Parameters (Rated capacity)</b>	0.01 to 10.00kW (when <b>P99</b> = 0, 3, or 4) 0.01 to 10.00 HP (when <b>P99</b> = 1)	0.01	kW HP	Nominal applied motor capacity
<b>P03</b>	<b>(Rated current)</b>	0.00 to 99.99A	0.01	A	Rated current of Fuji's standard motor
<b>P09</b>	<b>(Slip compensation gain)</b>	0.0 to 200.0%	0.1	%	0.0
<b>P99</b>	<b>Motor Selection</b>	0 : Standard motor (R123, R90) 1 : U.S.-made motor 3 : Standard motor (R88, R90) 4 : Others	—	—	0

## Function Settings

The Compact Inverter **FRENIC-Mini**

### High Performance Functions: H Codes

Func. code	Name	Data setting range	Min.	Unit	Factory setting																																								
H03	Data Initializing (Data reset)	0 : Manual set value 1 : Return to factory set value 2 : Motor parameter initializing (Motor 1)	—	—	0																																								
H04	Retry (No. of retries) (Latency time)	0 : Inactive, 1 to 10 times	1	Times	0																																								
H05		0.5 to 20.0s	0.1	s	5.0																																								
H06	Cooling Fan ON/OFF	0 : Inactive 1 : Active (1.5kW or more)	—	—	0																																								
H07	Gradual Acceleration/ Deceleration	0 : Inactive (linear) 1 : S-curve (weak) 2 : S-curve (strong) 3 : Non-linear	—	—	0																																								
H12	Instantaneous Overcurrent Limiting	0 : Inactive 1 : Active	—	—	1																																								
H26	PTC Thermistor Input (Level)	0 : Inactive 1 : Active	—	—	0																																								
H27		0.00 to 5.00V	0.01	V	1.60																																								
H30	Serial Link (Function selection) (Monitor) (Hz setting) (OPR command)	0 : <input type="radio"/> X <input type="radio"/> X <input type="radio"/> X <input type="radio"/> X 1 : <input type="radio"/> RS485 <input type="radio"/> X <input type="radio"/> X <input type="radio"/> X 2 : <input type="radio"/> X <input type="radio"/> RS485 <input type="radio"/> RS485 <input type="radio"/> RS485 3 : <input type="radio"/> RS485 <input type="radio"/> RS485 <input type="radio"/> RS485 <input type="radio"/> RS485	—	—	0																																								
		○ : Enable by inverter and RS485 RS485 : Enable by RS485 x : Enable by inverter																																											
H42		Capacity of DC bus capacitor	Adjustment is needed when capacitor is replaced.	—	—	—																																							
H43		Accumulated Run Time of Cooling Fan	Adjustment is needed when cooling fan is replaced.	—	h	—																																							
H50	Non-linear V/f Pattern (Frequency) (Voltage)	0.0: cancel 0.1 to 400.0Hz	0.1	Hz	0.0																																								
H51		0 to 240V : AVR active (200V class) 0 to 500V : AVR active (400V class)	1	V	0																																								
H54	ACC/DEC Time (Jogging operation)	0.00 to 3600s	0.01	s	6.00																																								
H64	Bottom Limiter (Min. freq. when limiter is activated)	0.0 (Depends on F16 : Freq. limiter (Low)) 0.1 to 60.0Hz	0.1	Hz	2.0																																								
H69	Automatic Deceleration	0 : Inactive 1 : Active	—	—	0																																								
H70	Overload Prevention Control (Frequency drop rate)	0.00 (equivalent to DEC time) 0.01 to 100.00Hz/s, 999(cancel)	0.01	Hz/s	999																																								
H71	See Note 2.																																												
H80	Gain for Suppression of Output Current Fluctuation	0.00 to 0.20	0.01	—	0.20																																								
H95	See Note 2.																																												
H96	STOP Key Priority / Start Check Function	<table border="1"> <thead> <tr> <th>Item</th> <th>Data</th> <th>0</th> <th>1</th> <th>2</th> <th>3</th> </tr> </thead> <tbody> <tr> <td>STOP key priority function</td> <td></td> <td>OFF</td> <td>ON</td> <td>OFF</td> <td>ON</td> </tr> <tr> <td>Start check function</td> <td></td> <td>OFF</td> <td>OFF</td> <td>ON</td> <td>ON</td> </tr> </tbody> </table>	Item	Data	0	1	2	3	STOP key priority function		OFF	ON	OFF	ON	Start check function		OFF	OFF	ON	ON	—	—	0																						
Item		Data	0	1	2	3																																							
STOP key priority function		OFF	ON	OFF	ON																																								
Start check function		OFF	OFF	ON	ON																																								
H97	Clear Alarm Data	Returns to zero after data clear by H97 setting at 1.	—	—	—																																								
H98	Protection/Maintenance Function	<table border="1"> <thead> <tr> <th>Item</th> <th>Data</th> <th>0</th> <th>1</th> <th>2</th> <th>3</th> <th>4</th> <th>5</th> <th>6</th> <th>7</th> </tr> </thead> <tbody> <tr> <td>Carrier frequency automatic DEC function</td> <td></td> <td>OFF</td> <td>ON</td> <td>OFF</td> <td>ON</td> <td>OFF</td> <td>ON</td> <td>OFF</td> <td>ON</td> </tr> <tr> <td>Input phase loss protection *)</td> <td></td> <td>OFF</td> <td>OFF</td> <td>ON</td> <td>ON</td> <td>OFF</td> <td>OFF</td> <td>ON</td> <td>ON</td> </tr> <tr> <td>Output phase loss protection</td> <td></td> <td>OFF</td> <td>OFF</td> <td>OFF</td> <td>OFF</td> <td>ON</td> <td>ON</td> <td>ON</td> <td>ON</td> </tr> </tbody> </table>	Item	Data	0	1	2	3	4	5	6	7	Carrier frequency automatic DEC function		OFF	ON	OFF	ON	OFF	ON	OFF	ON	Input phase loss protection *)		OFF	OFF	ON	ON	OFF	OFF	ON	ON	Output phase loss protection		OFF	OFF	OFF	OFF	ON	ON	ON	ON	—	—	3
Item		Data	0	1	2	3	4	5	6	7																																			
Carrier frequency automatic DEC function			OFF	ON	OFF	ON	OFF	ON	OFF	ON																																			
Input phase loss protection *)		OFF	OFF	ON	ON	OFF	OFF	ON	ON																																				
Output phase loss protection		OFF	OFF	OFF	OFF	ON	ON	ON	ON																																				

### Application Functions: J Codes

Func. code	Name	Data setting range	Min.	Unit	Factory setting
J01	PID Control (Remote process command)	0 : Inactive 1 : Process control use (Normal action) 2 : Process control use (Inverse action)	—	—	0
J02		0 : Keypad 1 : PID process command 1 4 : Communication	—	—	0
J03	P (Gain)	0.000 to 10.000 times	0.001	Times	0.100
J04	I (Integration time)	0.0 to 3600.0s	0.1	s	0.0
J05	D (Differentiation time)	0.00 to 600.00s	0.01	s	0.00
J06	(Feedback filter)	0.0 to 900.0s	0.1	s	0.5

### Link Functions: y Codes

Func. code	Name	Data setting range	Min.	Unit	Factory setting
Y01	RS485 Communication (Station address)	1 to 255	1	—	1
Y02	(Mode selection on no response error) (Timer)	0 : Trip and alarm <i>Er-B</i> 1 : Operation for y03 timer, alarm <i>Er-B</i> 2 : Operation for y03 timer, and retry to communicate. If retry fails, the inverter trips <i>Er-B</i> 3 : Continuous operation	—	—	0
Y03		0.0 to 60.0s	0.1	s	2.0
Y04		(Baud rate)	0 : 2400bps 1 : 4800 2 : 9600 3 : 19200	—	—
Y05	(Data length)	0 : 8 bit 1 : 7 bit	—	—	0
Y06	(Parity check)	0 : No checking 1 : Even parity 2 : Odd parity	—	—	0
Y07	(Stop bits)	0 : 2 bits 1 : 1 bit	—	—	0
Y08	(No response error detection time)	0 : No detection 1 : 1 to 60s	1	s	0
Y09	(Response interval)	0.00 to 1.00s	0.01	s	0.01
Y10	(Protocol selection)	0 : Modbus RTU protocol 1 : SX protocol (Loader protocol) 2 : Fuji general-purpose inverter protocol	—	—	1
Y99	Link Function for Supporting Data Input	(Freq. setting) (OPR command)	—	—	0
		0 : by H30 by H30			
		1 : from RS-485 by H30			
		2 : by H30 from RS-485 3 : from RS-485 from RS-485			

Note 1: The above setting ranges may be limited by the signs or the number of digits.

Note 2: Do not change the settings in **H71** and **H95**, as inverter does not use them although they are displayed.

&lt;Changing, reflecting or storing data during operation&gt;

 : Disable  : Change with  keys and then save or reflect with  key.  : Change or reflect with  keys and then save with  key.




\*) This function is OFF for single-phase series regardless of the settings.



# Protective Functions

## Protective Functions

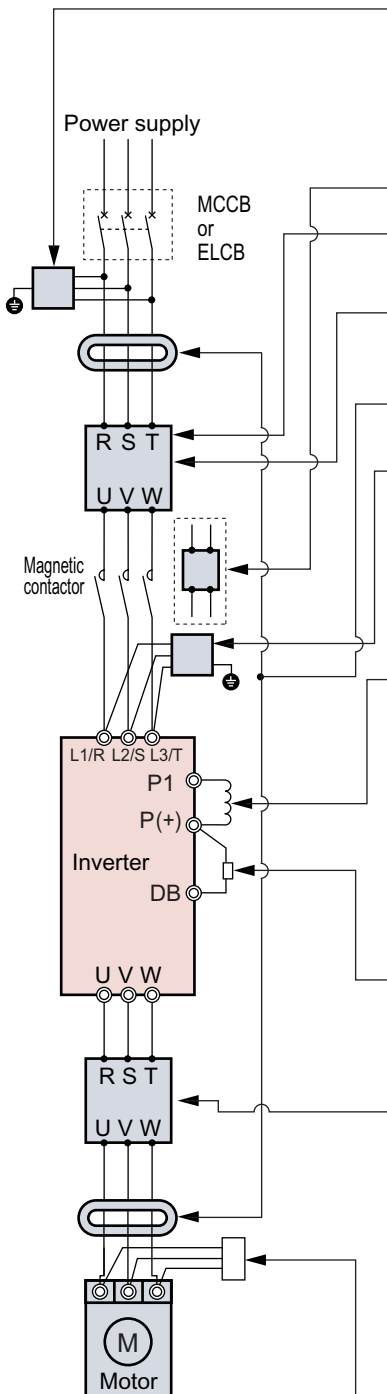
The Compact Inverter *FRENIC-Mini*

Function	Description	LED monitor	Alarm output (30A,B,C) Note	Related function code	
<b>Overcurrent Protection</b>	<ul style="list-style-type: none"> <li>Stops the inverter output to protect the inverter from an overcurrent resulting from overload.</li> <li>Stops the inverter output to protect the inverter from an overcurrent due to a short-circuit in the output circuit.</li> <li>Stops the inverter output to protect the inverter from an overcurrent due to a ground fault in the output circuit. This protection is effective only when the inverter starts. If you turn on the inverter without removing the ground fault, this protection may not work.</li> </ul>	During acceleration	OC1	○	
		During deceleration	OC2		
		While running at constant speed	OC3		
<b>Overvoltage protection</b>	The inverter stops when it detects an overvoltage (400V DC in a 200V series, 800V DC in a 400V series) in the DC link circuit. Protection is not assured if excess AC line voltage is applied inadvertently.	During acceleration	OU1	○	
		During deceleration	OU2		
		While running at constant speed(Stopped)	OU3		
<b>Undervoltage protection</b>	Stops the inverter when the DC link circuit voltage drops below the undervoltage level (200V DC in a 200V series, 400V DC in a 400V series). However, if "4 or 5" is selected for F14, no alarm is output even if there is a drop in the DC link circuit voltage.		LU	△	F14
<b>Input phase loss protection</b>	Detects input phase loss, stopping the inverter output. This function prevents the inverter from undergoing heavy stress that may be caused by input phase loss or interphase voltage unbalance and may damage the inverter. If connected load is light or a DC reactor is connected to the inverter, this function will not detect input phase loss if any. In single-phase series of inverters, this function is disabled by factory default.		L in	○	H98
<b>Output phase loss protection</b>	Detects breaks in inverter output wiring at the start of running and during running, stopping the inverter output.		OPL	○	H98
<b>Overheat protection</b>	<b>Inverter</b>	Stops the inverter when it detects excess heat sink temperature in case of cooling fan failure or overload.	OH1	○	H43
	<b>Braking resistor</b>	<ul style="list-style-type: none"> <li>When the built-in or external braking resistor overheats, the inverter stops running.</li> <li>* It is necessary to set the function code corresponding to the braking resistor used (built-in or external).</li> </ul>	OBH	○	F50,F51
<b>Overload protection</b>	Calculates the IGBT internal temperature from the output current and internal temperature detection, stopping the inverter.		OLU	○	
<b>Motor protection</b>	<b>Electronic thermal overload relay</b>	The inverter stops running the motor to protect the motor in accordance with the electronic thermal function setting. <ul style="list-style-type: none"> <li>Protection of a standard motor over the entire frequency range.</li> <li>Protects the inverter motor over the entire frequency range.</li> <li>* The operation level and thermal time constant can be set.</li> </ul>	OL1	○	F10
	<b>PTC thermistor</b>	<ul style="list-style-type: none"> <li>A PTC thermistor input stops the inverter to protect the motor.</li> </ul> A PTC thermistor is connected between terminals C1 and 11, and a 1kΩ external resistor is connected between terminals 13 and C1.			OH4
	<b>Overload early warning</b>	Outputs a preliminary alarm at a preset level before the inverter is stopped by the electronic thermal function for the purpose of protecting the motor.	—	—	—
<b>Stall prevention</b>	Operates when the instantaneous overcurrent hits the set limit. Instantaneous overcurrent limit: Operates if the inverter output current exceeds the instantaneous overcurrent limit to prevent the inverter from tripping (during acceleration or negative constant speed operation).		—	—	H12
<b>External alarm input</b>	Stops the inverter with an alarm through the digital input signal (THR).		OH2	○	E01 to E03 E98, E99
<b>Alarm relay output (for any fault)</b>	<ul style="list-style-type: none"> <li>The inverter outputs a relay contact signal when the inverter issues an alarm and stopped.</li> </ul> <Alarm reset> The alarm stop state is reset by pressing the  key or by the digital input signal (RST). <Saving the alarm history and detailed data> The information on the previous 4 alarms can be saved and displayed.		—	○	E20,E27 E01 to E03 E98,E99
<b>Memory error</b>	The inverter checks memory data after power-on and when the data is written. If a memory error is detected, the inverter stops.		Er1	○	
<b>Remote keypad communication error</b>	The inverter stops by detecting a communication error between the inverter and the remote keypad (option) during operation from the remote keypad.		Er2	○	F02
<b>CPU error</b>	If the inverter detects a CPU error caused by noise or some other factor, the inverter stops.		Er3	○	
<b>Operation error</b>	<b>STOP key priority</b>	Pressing  key on the keypad forces the inverter to decelerate and stop the motor even if the inverter is running by any run commands given via the terminals or communications (link operation). After the motor stops, the inverter issues alarm "Er6."	Er6	○	H96
	<b>Start check function</b>	Inverters prohibit any run operations and displays "Er6" on the LED of keypad if any run command is given when: <ul style="list-style-type: none"> <li>Powering up</li> <li>Releasing an alarm ( key turned on)</li> <li>Link command (LE) has switched inverter operations</li> </ul>			
<b>RS-485 communication error</b>	On detecting an RS-485 communication error, the inverter displays the error code.		Er8	○	
<b>Data save error during undervoltage</b>	If the data could not be saved during activation of the undervoltage protection function, the inverter displays the error code.		ErF	○	

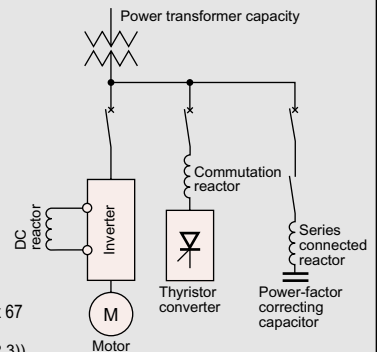
Note) A △ in the alarm output (30A,B,C) column indicates that there are cases where an alarm is not output in accordance with the function code.

## Option Guide

The Compact Inverter **FRENIC-Mini**



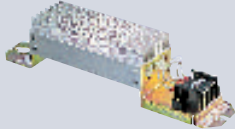
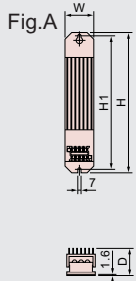
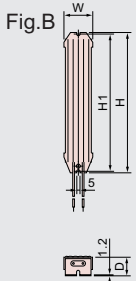
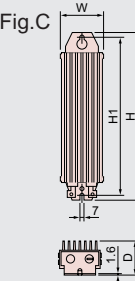

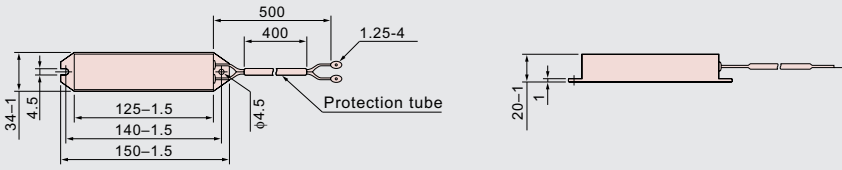
Name	Function
<b>Surge absorber</b>	Suppresses surges or noise invading from an external source, preventing malfunction from magnetic contactors, control relays and timers, etc.
<b>Arrester</b>	Suppresses induced lightning surges from power source, thus protecting all equipment connected to the power source.
<b>Surge killer</b>	Absorbs surges or noise invading from an external source, preventing malfunction of electronic equipment used in the switchboard.
<b>Frequency setting device</b>	Frequency setting potentiometer (mounted externally)
<b>Frequency meter</b>	Displays the frequency in accordance with signals output from the inverter.
<b>Option for single-phase 100V input</b>	This is used in cases where a single-phase 100V power supply is used to feed a three-phase 200V inverter. (It can be applied to the inverter of 0.75kW or less.)
<b>EMC compliance filter</b>	This is a dedicated filter which complies with the European EMC (Emission) Directive.
<b>AC REACTOR (ACR)</b>	Used for power factor improvement and power supply coordination. However, it is recommended that a DC REACTOR with a higher efficiency and which is more compact and lightweight be used. Use a DC REACTOR (DCR) as a countermeasure for harmonics. If it is necessary to supply a stabilized power supply, such as a DC bus system and running from that (PN connection operation), please use such a reactor.
<b>Ferrite ring for reducing radio noise</b>	Reduces radio frequency noise. If the wiring between motor and inverter is shorter than 20m, use the ferrite ring in the power supply side. If longer than 20m, use it in the output side.
<b>Filter capacitor for reducing radio interference</b>	Reduces noise. For frequencies in the AM radio frequency band of 1MHz or less, a noise reduction effect can be obtained. Absolutely never connect this device to the inverter's output side.
<b>DC REACTOR (DCR)</b>	<p>[Use the DCR to normalize the power supply in the following cases.]</p> <ol style="list-style-type: none"> <li>The power transformer capacity is 500kVA or over and exceeds the inverter rated capacity by 10 times.</li> <li>The inverter and a thyristor converter are connected with the same transformer. *Check if the thyristor converter uses a commutation reactor. If not, AC reactor must be connected to the power supply side.</li> <li>Overvoltage trip occurs due to open/close of the phase-advancing capacitor for the power supply lines.</li> <li>The voltage unbalance exceeds 2%.</li> </ol> $\text{Voltage unbalance (\%)} = \frac{\text{Max. voltage [V]} - \text{Min. Voltage [V]}}{\text{Three-phase average voltage [V]}} \times 67$ <p>(IEC 61800-3 (5.2.3))</p> <p>[For improving input power-factor, reducing harmonics] • Used to reduce input harmonic current (correcting power-factor)</p>
<b>Braking resistor</b>	Used to increase the braking capability when the motor needs to start and stop frequently or when the moment of inertia is large.
<b>Output circuit filter</b>	This filter is connected to the output circuit of inverters, and has the following functions: <ol style="list-style-type: none"> <li>Suppressing fluctuation of motor terminal voltage Protects the motor insulation from being damaged by surge voltage.</li> <li>Suppressing leakage current from output side wiring Reduces the leakage current caused when several motors are operated in parallel or connected with long wiring.</li> <li>Suppressing radiation noise or inductive noise from output side wiring Effective noise suppression device for long wiring applications such as plant * There are two kinds of filters for 400V series. Choose a desired one according to the purpose of use.</li> </ol>
<b>RS-485 communications card</b>	This makes communication to a PLC or personal computer system easy.
<b>Extension cable for remote operation</b>	Used to connect the RS-485 communications card with the remote keypad, USB-RS-485 converter, etc.
<b>Remote keypad</b>	Used when performing inverter remote operations with the remote keypad.
<b>Copy adaptor</b>	Allows copying data to several inverters with easy connection to the inverter body.
<b>Connector adaptor</b>	Used for the connector replacement of the copy adaptor.
<b>Inverter support loader software</b>	Inverter support loader software, Windows based, that makes setting of function codes easy.
<b>USB-RS-485 converter</b>	Used to connect the RS-485 communications card with a USB port of your personal computer.
<b>NEMA1 kit</b>	NEMA1 kit protects the inverter body with the structure that conforms to the NEMA1 standard (approved as UL TYPE1).
<b>Attachments</b>	Permit change of protective structure, replacement of Fuji's previous inverter model and installation on the DIN rails, etc.
<b>Surge suppression unit SSSU-□□□-□TA-NS</b>	Prevents the motor insulation from being damaged by the surge current of the inverter.



# Options

## Options


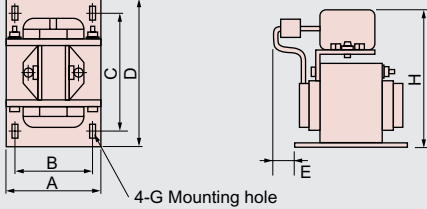
The Compact Inverter **FRENIC-Mini**

Name(Type)		Specifications and dimensions										[Unit : mm]																																																																																																																																																																																																																																																																																																												
<b>Braking resistor</b> [Standard type] (DB□□□-2) (DB□□□-4) [10%ED type] (DB□□□-2C) (DB□□□-4C)					<table border="1"> <thead> <tr> <th rowspan="2">Type</th> <th colspan="2">Type</th> <th rowspan="2">Fig.</th> <th colspan="4">Dimensions [mm]</th> <th rowspan="2">Mass [kg]</th> </tr> <tr> <th>200V</th> <th>400V</th> <th>W</th> <th>H</th> <th>H1</th> <th>D</th> </tr> </thead> <tbody> <tr> <td rowspan="5">Standard type</td> <td>DB0.75-2</td> <td>DB0.75-4</td> <td>A</td> <td>64</td> <td>310</td> <td>295</td> <td>67</td> <td>1.3</td> </tr> <tr> <td>DB2.2-2</td> <td>-</td> <td>A</td> <td>76</td> <td>345</td> <td>332</td> <td>94</td> <td>2.0</td> </tr> <tr> <td>-</td> <td>DB2.2-4</td> <td>A</td> <td>64</td> <td>470</td> <td>455</td> <td>67</td> <td>2.0</td> </tr> <tr> <td>DB3.7-2</td> <td>-</td> <td>A</td> <td>76</td> <td>345</td> <td>332</td> <td>94</td> <td>2.0</td> </tr> <tr> <td>-</td> <td>DB3.7-4</td> <td>A</td> <td>64</td> <td>470</td> <td>455</td> <td>67</td> <td>1.7</td> </tr> <tr> <td rowspan="3">10%ED type</td> <td>DB0.75-2C</td> <td>DB0.75-4C</td> <td>B</td> <td>43</td> <td>221</td> <td>215</td> <td>30.5</td> <td>0.5</td> </tr> <tr> <td>DB2.2-2C</td> <td>DB2.2-4C</td> <td>C</td> <td>67</td> <td>188</td> <td>172</td> <td>55</td> <td>0.8</td> </tr> <tr> <td>DB3.7-2C</td> <td>DB3.7-4C</td> <td>C</td> <td>67</td> <td>328</td> <td>312</td> <td>55</td> <td>1.6</td> </tr> </tbody> </table>							Type	Type		Fig.	Dimensions [mm]				Mass [kg]	200V	400V	W	H	H1	D	Standard type	DB0.75-2	DB0.75-4	A	64	310	295	67	1.3	DB2.2-2	-	A	76	345	332	94	2.0	-	DB2.2-4	A	64	470	455	67	2.0	DB3.7-2	-	A	76	345	332	94	2.0	-	DB3.7-4	A	64	470	455	67	1.7	10%ED type	DB0.75-2C	DB0.75-4C	B	43	221	215	30.5	0.5	DB2.2-2C	DB2.2-4C	C	67	188	172	55	0.8	DB3.7-2C	DB3.7-4C	C	67	328	312	55	1.6	<table border="1"> <thead> <tr> <th rowspan="2">Type</th> <th rowspan="2">Power supply voltage</th> <th rowspan="2">Inverter type</th> <th rowspan="2">Type</th> <th rowspan="2">Qty. (Unit)</th> <th rowspan="2">Resistance [Ω]</th> <th colspan="2">Max braking torque</th> <th colspan="2">Continuous braking (100% torque conversion value)</th> <th colspan="2">Repetitive braking</th> </tr> <tr> <th>50[Hz]</th> <th>60[Hz]</th> <th>Discharging capacity [kW]</th> <th>Braking time [s]</th> <th>Average allowable loss [kW]</th> <th>Duty cycle [%ED]</th> </tr> </thead> <tbody> <tr> <td rowspan="12">Standard type</td> <td rowspan="4">Three-phase 200V</td> <td rowspan="4">FRN0.4C1□-2A**</td> <td rowspan="2">DB0.75-2</td> <td rowspan="2">1</td> <td rowspan="2">100</td> <td rowspan="4">150</td> <td>4.02</td> <td>3.32</td> <td>9</td> <td>45</td> <td>0.044</td> <td>22</td> </tr> <tr> <td>7.57</td> <td>6.25</td> <td>17</td> <td>45</td> <td>0.068</td> <td>18</td> </tr> <tr> <td rowspan="2">DB2.2-2</td> <td rowspan="2">1</td> <td rowspan="2">40</td> <td>15.0</td> <td>12.4</td> <td>34</td> <td>45</td> <td>0.075</td> <td>10</td> </tr> <tr> <td>22.0</td> <td>18.2</td> <td>33</td> <td>30</td> <td>0.077</td> <td>7</td> </tr> <tr> <td rowspan="4">Three-phase 400V</td> <td rowspan="4">FRN0.4C1□-4A**</td> <td rowspan="2">DB0.75-4</td> <td rowspan="2">1</td> <td rowspan="2">200</td> <td rowspan="4">150</td> <td>4.02</td> <td>3.32</td> <td>9</td> <td>45</td> <td>0.044</td> <td>22</td> </tr> <tr> <td>7.57</td> <td>6.25</td> <td>17</td> <td>45</td> <td>0.068</td> <td>18</td> </tr> <tr> <td rowspan="2">DB2.2-4</td> <td rowspan="2">1</td> <td rowspan="2">160</td> <td>15.0</td> <td>12.4</td> <td>34</td> <td>45</td> <td>0.075</td> <td>10</td> </tr> <tr> <td>22.0</td> <td>18.2</td> <td>33</td> <td>30</td> <td>0.077</td> <td>7</td> </tr> <tr> <td rowspan="4">Single-phase 200V</td> <td rowspan="4">FRN0.4C1□-7A</td> <td rowspan="2">DB0.75-2</td> <td rowspan="2">1</td> <td rowspan="2">100</td> <td rowspan="4">150</td> <td>4.02</td> <td>3.32</td> <td>9</td> <td>45</td> <td>0.044</td> <td>22</td> </tr> <tr> <td>7.57</td> <td>6.25</td> <td>17</td> <td>45</td> <td>0.068</td> <td>18</td> </tr> <tr> <td rowspan="2">DB2.2-2</td> <td rowspan="2">1</td> <td rowspan="2">40</td> <td>15.0</td> <td>12.4</td> <td>34</td> <td>45</td> <td>0.075</td> <td>10</td> </tr> <tr> <td>22.0</td> <td>18.2</td> <td>33</td> <td>30</td> <td>0.077</td> <td>7</td> </tr> <tr> <td rowspan="12">10%ED type</td> <td rowspan="4">Three-phase 200V</td> <td rowspan="4">FRN0.4C1□-2A**</td> <td rowspan="2">DB0.75-2C</td> <td rowspan="2">1</td> <td rowspan="2">100</td> <td rowspan="4">150</td> <td>4.02</td> <td>3.32</td> <td>50</td> <td>250</td> <td>0.075</td> <td>37</td> </tr> <tr> <td>7.57</td> <td>6.25</td> <td>50</td> <td>133</td> <td>0.075</td> <td>20</td> </tr> <tr> <td rowspan="2">DB2.2-2C</td> <td rowspan="2">1</td> <td rowspan="2">40</td> <td>15.0</td> <td>12.4</td> <td>55</td> <td>73</td> <td>0.110</td> <td>14</td> </tr> <tr> <td>22.0</td> <td>18.2</td> <td>55</td> <td>50</td> <td>0.110</td> <td>10</td> </tr> <tr> <td rowspan="4">Three-phase 400V</td> <td rowspan="4">FRN0.4C1□-4A**</td> <td rowspan="2">DB0.75-4C</td> <td rowspan="2">1</td> <td rowspan="2">200</td> <td rowspan="4">150</td> <td>4.02</td> <td>3.32</td> <td>50</td> <td>250</td> <td>0.075</td> <td>37</td> </tr> <tr> <td>7.57</td> <td>6.25</td> <td>50</td> <td>133</td> <td>0.075</td> <td>20</td> </tr> <tr> <td rowspan="2">DB2.2-4C</td> <td rowspan="2">1</td> <td rowspan="2">160</td> <td>15.0</td> <td>12.4</td> <td>55</td> <td>73</td> <td>0.110</td> <td>14</td> </tr> <tr> <td>22.0</td> <td>18.2</td> <td>55</td> <td>50</td> <td>0.110</td> <td>10</td> </tr> <tr> <td rowspan="4">Single-phase 200V</td> <td rowspan="4">FRN0.4C1□-7A</td> <td rowspan="2">DB0.75-2C</td> <td rowspan="2">1</td> <td rowspan="2">100</td> <td rowspan="4">150</td> <td>4.02</td> <td>3.32</td> <td>50</td> <td>250</td> <td>0.075</td> <td>37</td> </tr> <tr> <td>7.57</td> <td>6.25</td> <td>50</td> <td>133</td> <td>0.075</td> <td>20</td> </tr> <tr> <td rowspan="2">DB2.2-2C</td> <td rowspan="2">1</td> <td rowspan="2">40</td> <td>15.0</td> <td>12.4</td> <td>55</td> <td>73</td> <td>0.110</td> <td>14</td> </tr> <tr> <td>22.0</td> <td>18.2</td> <td>55</td> <td>50</td> <td>0.110</td> <td>10</td> </tr> </tbody> </table>		Type	Power supply voltage	Inverter type	Type	Qty. (Unit)	Resistance [Ω]	Max braking torque		Continuous braking (100% torque conversion value)		Repetitive braking		50[Hz]	60[Hz]	Discharging capacity [kW]	Braking time [s]	Average allowable loss [kW]	Duty cycle [%ED]	Standard type	Three-phase 200V	FRN0.4C1□-2A**	DB0.75-2	1	100	150	4.02	3.32	9	45	0.044	22	7.57	6.25	17	45	0.068	18	DB2.2-2	1	40	15.0	12.4	34	45	0.075	10	22.0	18.2	33	30	0.077	7	Three-phase 400V	FRN0.4C1□-4A**	DB0.75-4	1	200	150	4.02	3.32	9	45	0.044	22	7.57	6.25	17	45	0.068	18	DB2.2-4	1	160	15.0	12.4	34	45	0.075	10	22.0	18.2	33	30	0.077	7	Single-phase 200V	FRN0.4C1□-7A	DB0.75-2	1	100	150	4.02	3.32	9	45	0.044	22	7.57	6.25	17	45	0.068	18	DB2.2-2	1	40	15.0	12.4	34	45	0.075	10	22.0	18.2	33	30	0.077	7	10%ED type	Three-phase 200V	FRN0.4C1□-2A**	DB0.75-2C	1	100	150	4.02	3.32	50	250	0.075	37	7.57	6.25	50	133	0.075	20	DB2.2-2C	1	40	15.0	12.4	55	73	0.110	14	22.0	18.2	55	50	0.110	10	Three-phase 400V	FRN0.4C1□-4A**	DB0.75-4C	1	200	150	4.02	3.32	50	250	0.075	37	7.57	6.25	50	133	0.075	20	DB2.2-4C	1	160	15.0	12.4	55	73	0.110	14	22.0	18.2	55	50	0.110	10	Single-phase 200V	FRN0.4C1□-7A	DB0.75-2C	1	100	150	4.02	3.32	50	250	0.075	37	7.57	6.25	50	133	0.075	20	DB2.2-2C	1	40	15.0	12.4	55	73	0.110	14	22.0	18.2	55	50	0.110	10
					Type	Type		Fig.	Dimensions [mm]				Mass [kg]																																																																																																																																																																																																																																																																																																											
200V	400V	W	H	H1		D																																																																																																																																																																																																																																																																																																																		
Standard type	DB0.75-2	DB0.75-4	A	64	310	295	67	1.3																																																																																																																																																																																																																																																																																																																
	DB2.2-2	-	A	76	345	332	94	2.0																																																																																																																																																																																																																																																																																																																
	-	DB2.2-4	A	64	470	455	67	2.0																																																																																																																																																																																																																																																																																																																
	DB3.7-2	-	A	76	345	332	94	2.0																																																																																																																																																																																																																																																																																																																
	-	DB3.7-4	A	64	470	455	67	1.7																																																																																																																																																																																																																																																																																																																
10%ED type	DB0.75-2C	DB0.75-4C	B	43	221	215	30.5	0.5																																																																																																																																																																																																																																																																																																																
	DB2.2-2C	DB2.2-4C	C	67	188	172	55	0.8																																																																																																																																																																																																																																																																																																																
	DB3.7-2C	DB3.7-4C	C	67	328	312	55	1.6																																																																																																																																																																																																																																																																																																																
Type	Power supply voltage	Inverter type	Type	Qty. (Unit)	Resistance [Ω]	Max braking torque		Continuous braking (100% torque conversion value)		Repetitive braking																																																																																																																																																																																																																																																																																																														
						50[Hz]	60[Hz]	Discharging capacity [kW]	Braking time [s]	Average allowable loss [kW]	Duty cycle [%ED]																																																																																																																																																																																																																																																																																																													
Standard type	Three-phase 200V	FRN0.4C1□-2A**	DB0.75-2	1	100	150	4.02	3.32	9	45	0.044	22																																																																																																																																																																																																																																																																																																												
							7.57	6.25	17	45	0.068	18																																																																																																																																																																																																																																																																																																												
			DB2.2-2	1	40		15.0	12.4	34	45	0.075	10																																																																																																																																																																																																																																																																																																												
							22.0	18.2	33	30	0.077	7																																																																																																																																																																																																																																																																																																												
	Three-phase 400V	FRN0.4C1□-4A**	DB0.75-4	1	200	150	4.02	3.32	9	45	0.044	22																																																																																																																																																																																																																																																																																																												
							7.57	6.25	17	45	0.068	18																																																																																																																																																																																																																																																																																																												
			DB2.2-4	1	160		15.0	12.4	34	45	0.075	10																																																																																																																																																																																																																																																																																																												
							22.0	18.2	33	30	0.077	7																																																																																																																																																																																																																																																																																																												
	Single-phase 200V	FRN0.4C1□-7A	DB0.75-2	1	100	150	4.02	3.32	9	45	0.044	22																																																																																																																																																																																																																																																																																																												
							7.57	6.25	17	45	0.068	18																																																																																																																																																																																																																																																																																																												
			DB2.2-2	1	40		15.0	12.4	34	45	0.075	10																																																																																																																																																																																																																																																																																																												
							22.0	18.2	33	30	0.077	7																																																																																																																																																																																																																																																																																																												
10%ED type	Three-phase 200V	FRN0.4C1□-2A**	DB0.75-2C	1	100	150	4.02	3.32	50	250	0.075	37																																																																																																																																																																																																																																																																																																												
							7.57	6.25	50	133	0.075	20																																																																																																																																																																																																																																																																																																												
			DB2.2-2C	1	40		15.0	12.4	55	73	0.110	14																																																																																																																																																																																																																																																																																																												
							22.0	18.2	55	50	0.110	10																																																																																																																																																																																																																																																																																																												
	Three-phase 400V	FRN0.4C1□-4A**	DB0.75-4C	1	200	150	4.02	3.32	50	250	0.075	37																																																																																																																																																																																																																																																																																																												
							7.57	6.25	50	133	0.075	20																																																																																																																																																																																																																																																																																																												
			DB2.2-4C	1	160		15.0	12.4	55	73	0.110	14																																																																																																																																																																																																																																																																																																												
							22.0	18.2	55	50	0.110	10																																																																																																																																																																																																																																																																																																												
	Single-phase 200V	FRN0.4C1□-7A	DB0.75-2C	1	100	150	4.02	3.32	50	250	0.075	37																																																																																																																																																																																																																																																																																																												
							7.57	6.25	50	133	0.075	20																																																																																																																																																																																																																																																																																																												
			DB2.2-2C	1	40		15.0	12.4	55	73	0.110	14																																																																																																																																																																																																																																																																																																												
							22.0	18.2	55	50	0.110	10																																																																																																																																																																																																																																																																																																												
<b>Braking resistor</b> [Compact type] (TK80W120Ω)																																																																																																																																																																																																																																																																																																																								
		<table border="1"> <thead> <tr> <th>Series</th> <th>Type</th> <th colspan="10">TK80W120Ω</th> </tr> </thead> <tbody> <tr> <td rowspan="2">Three-phase 200V</td> <td rowspan="2">Resistor</td> <td>Capacity [kW]</td> <td colspan="10">0.08</td> </tr> <tr> <td>Ohmic value [Ω]</td> <td colspan="10">120</td> </tr> <tr> <td rowspan="5">Three-phase 200V</td> <td>Applicable inverter</td> <td>FRN0.4 C1□-2A**</td> <td>FRN0.75 C1□-2A**</td> <td>FRN1.5 C1□-2A**</td> <td>FRN2.2 C1□-2A**</td> <td>FRN3.7 C1□-2A**</td> <td colspan="5"></td> </tr> <tr> <td>Applied motor output [kW]</td> <td>0.4</td> <td>0.75</td> <td>1.5</td> <td>2.2</td> <td>3.7</td> <td colspan="5"></td> </tr> <tr> <td>Average braking torque [%]</td> <td>150</td> <td>130</td> <td>100</td> <td>65</td> <td>45</td> <td colspan="5"></td> </tr> <tr> <td rowspan="2">Allowable limits</td> <td>Allowable duty cycle [%]</td> <td>15</td> <td>5</td> <td>5</td> <td>5</td> <td>5</td> <td colspan="5"></td> </tr> <tr> <td>Continuous allowable braking time</td> <td>15s</td> <td>15s</td> <td>10s</td> <td>10s</td> <td>10s</td> <td colspan="5"></td> </tr> </tbody> </table>												Series	Type	TK80W120Ω										Three-phase 200V	Resistor	Capacity [kW]	0.08										Ohmic value [Ω]	120										Three-phase 200V	Applicable inverter	FRN0.4 C1□-2A**	FRN0.75 C1□-2A**	FRN1.5 C1□-2A**	FRN2.2 C1□-2A**	FRN3.7 C1□-2A**						Applied motor output [kW]	0.4	0.75	1.5	2.2	3.7						Average braking torque [%]	150	130	100	65	45						Allowable limits	Allowable duty cycle [%]	15	5	5	5	5						Continuous allowable braking time	15s	15s	10s	10s	10s																																																																																																																																																																																																																			
Series	Type	TK80W120Ω																																																																																																																																																																																																																																																																																																																						
Three-phase 200V	Resistor	Capacity [kW]	0.08																																																																																																																																																																																																																																																																																																																					
		Ohmic value [Ω]	120																																																																																																																																																																																																																																																																																																																					
Three-phase 200V	Applicable inverter	FRN0.4 C1□-2A**	FRN0.75 C1□-2A**	FRN1.5 C1□-2A**	FRN2.2 C1□-2A**	FRN3.7 C1□-2A**																																																																																																																																																																																																																																																																																																																		
	Applied motor output [kW]	0.4	0.75	1.5	2.2	3.7																																																																																																																																																																																																																																																																																																																		
	Average braking torque [%]	150	130	100	65	45																																																																																																																																																																																																																																																																																																																		
	Allowable limits	Allowable duty cycle [%]	15	5	5	5	5																																																																																																																																																																																																																																																																																																																	
		Continuous allowable braking time	15s	15s	10s	10s	10s																																																																																																																																																																																																																																																																																																																	
NOTE: This resistor is not applicable to 3-phase 400V series.																																																																																																																																																																																																																																																																																																																								

Note) For the inverter type FRN0.4C1□-2A\*\*, the symbol □ is replaced with either of the following alphabets and \*\* is replaced with any of the following numeral codes:  
 □ : S (Standard type), E (EMC filter built-in type), \*\*: 21 (Braking resistor built-in type), None (Standard type)  
 The inverter application to RS-485 communication is limited to the standard ones in three-phase 200V and three-phase 400V series.  
 The braking resistor built-in type is limited to the inverters for 1.5kW or larger.

## Options

The Compact Inverter **FRENIC-Mini**

Name	Dimension										[Unit: mm]	
<b>DC REACTOR</b>  												
	Applicable inverter type		Reactor type	Dimensions							Terminal screw	Mass [kg]
	Three-phase 200V series	Single-phase 200V series		A	B	C	D	E	G	H		
	FRN0.1C1□-2A**	FRN0.1C1□-7A	DCR2-0.2	66	56	72	90	5	5.2 x 8	94	M4	0.8
	FRN0.2C1□-2A**		DCR2-0.4	66	56	72	90	15	5.2 x 8	94	M4	1.0
	FRN0.4C1□-2A**		DCR2-0.75	66	56	72	90	20	5.2 x 8	94	M4	1.4
	FRN1.5C1□-2A**		DCR2-1.5	66	56	72	90	20	5.2 x 8	94	M4	1.6
	FRN2.2C1□-2A**		DCR2-2.2	86	71	80	100	10	6 x 9	110	M4	1.8
	FRN3.7C1□-2A**		DCR2-3.7	86	71	80	100	20	6 x 9	110	M4	2.6
	Three-phase 400V series											
	FRN0.4C1□-4A**	FRN0.4C1□-7A	DCR4-0.4	66	56	72	90	15	5.2 x 8	94	M4	1.0
	FRN0.75C1□-4A**		DCR4-0.75	66	56	72	90	20	5.2 x 8	94	M4	1.4
	FRN1.5C1□-4A**		DCR4-1.5	66	56	72	90	20	5.2 x 8	94	M4	1.6
	FRN2.2C1□-4A**		DCR4-2.2	86	71	80	100	15	6 x 9	110	M4	2.0
	FRN3.7C1□-4A**		DCR4-3.7	86	71	80	100	20	6 x 9	110	M4	2.6

Note) For the inverter type FRN0.4C1□-2A\*\*, the symbol □ is replaced with either of the following alphabets and \*\* is replaced with any of the following numeral codes:

□ : S (Standard type), E (EMC filter built-in type), \*\* : 21 (Braking resistor built-in type), None (Standard type)

The inverter applicable to RS-485 communication is limited to the standard ones in three-phase 200V and three-phase 400V series.

The braking resistor built-in type is limited to the inverters for 1.5kW or larger.

## Wiring equipment

The Compact Inverter **FRENIC-Mini**

Power supply voltage	Nominal applied motor [kW]	Inverter type	MCCB or ELCB Rated current [A]		Magnetic contactor (MC)			Recommended wire size [mm <sup>2</sup> ]				
			With DCR	Without reactor	Input circuit		Output circuit	Input circuit [L1/R, L2/S, L3/T]		Output circuit [U, V, W]	DCR circuit [P1, P(+)]	DB circuit [P(+), DB, N(-)]
					With DCR	Without reactor		With DCR	Without reactor			
Three-phase 200V	0.1	FRN0.1C1□-2A**	5	5	SC-05	SC-05	SC-05	2.0	2.0	2.0	2.0	2.0
	0.2	FRN0.2C1□-2A**										
	0.4	FRN0.4C1□-2A**	10	15	SC-05	SC-05	SC-05	2.0	2.0	2.0		
	0.75	FRN0.75C1□-2A**										
	1.5	FRN1.5C1□-2A**										
	2.2	FRN2.2C1□-2A**										
3.7	FRN3.7C1□-2A**	20	30	SC-5-1								
Three-phase 400V	0.4	FRN0.4C1□-4A**	5	5	SC-05	SC-05	SC-05	2.0	2.0	2.0	2.0	
	0.75	FRN0.75C1□-4A**										
	1.5	FRN1.5C1□-4A**	10	20	SC-05	SC-05	SC-05	2.0	2.0	2.0		
	2.2	FRN2.2C1□-4A**										
	3.7	FRN3.7C1□-4A**										
Single-phase 200V	0.1	FRN0.1C1□-7A	5	5	SC-05	SC-05	SC-05	2.0	2.0	2.0	2.0	
	0.2	FRN0.2C1□-7A										
	0.4	FRN0.4C1□-7A	10	15	SC-05	SC-05	SC-05	2.0	2.0	2.0		
	0.75	FRN0.75C1□-7A										
	1.5	FRN1.5C1□-7A										
	2.2	FRN2.2C1□-7A										
			20	30	SC-5-1	3.5						

Note) For the inverter type FRN0.4C1□-2A\*\*, the symbol □ is replaced with either of the following letters and \*\* is replaced with any of the following numeral codes:

□ : S (Standard type), E (EMC filter built-in type), \*\* : 21 (Braking resistor built-in type), None (Standard type)

The inverter applicable to RS-485 communication is limited to the standard ones in three-phase 200V and three-phase 400V series.

The braking resistor built-in type is limited to the inverters rated 1.5kW or larger.

• For molded-case circuit breakers (MCCB) and earth-leakage circuit breakers (ELCB), the required frame type and series depend on the facility transformer capacity and other factors. When selecting optimal breakers, refer to the relevant technical data. Also select the rated sensitive current of ELCB utilizing the technical data. The above rated currents of MCCB and ELCB are for the breakers SA□B/□ and SA□R/□.

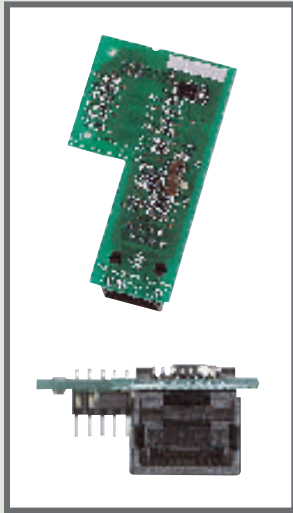
• The recommended wire sizes are based on the temperature inside the panel not exceeding 50°C.

• The above wires are 600V HIV insulated solid wires (75°C).

• Data in the above table may differ according to environmental conditions (ambient temperature, power supply voltage, and other factors).

# Options

## ■ RS-485 communications card (OPC-C1-RS)



This is an exclusive option that enables the FRENIC-Mini series to use RS-485 communication.

The following operations can be performed from the remote keypad, or from a personal computer, PLC or other host controller using RS-485 communication.

- Operation functions such as frequency settings, forward, reverse, stop, coast-to-stop and reset.
- Monitoring of the output frequency, output current, operating status and alarm contents.
- Setting of function codes

<Transmission Specifications>

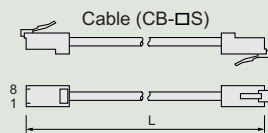
Item	Specifications		
Communications protocol	SX Protocol (Support loader exclusive)	Modbus RTU (Conforming to Modicon's Modbus RTU)	Fuji general-purpose inverter protocol
Electrical specifications	EIA RS-485		
Number of units connected	Host: 1 unit, Inverters: 31 units		
Transmission speed	19200, 9600, 4800, 2400bps		
Synchronization system	Start-stop synchronous		
Transmission method	Half-duplex		

## ■ Remote operation extension cable (CB-□S)

This straight cable is used to connect the RS-485 communications card and the remote keypad, and available in three lengths, i.e. 1m, 3m and 5m.



Type	L (m)
CB-5S	5
CB-3S	3
CB-1S	1



## ■ Remote keypad (TP-E1)

The keypad permits remote control of FRENIC-Mini, and function setting and display (with copy function).



## ■ Connector adaptor (CPAD-C1-CN)

This adaptor is a replaceable component of the copy adaptor's connector.



## ■ Copy adaptor (CPAD-C1)

The copy adaptor can be easily connected to an inverter, and is used to copy data to several inverters.



## ■ Mounting adapter (MA-C1-□□□)

This attachment enables mounting of the FRENIC-Mini as is, using the mounting holes of the existing inverters (FVR-E11S: 0.75kW or less, and 3.7kW units). (This attachment is not necessary in the case of the FVR-E11S-2/4 1.5kW, 2.2kW and FVR-E11S-7 0.75kW, 1.5kW units.)

Option type	Applicable Inverter type	
	FRENIC-Mini	FVR-E11S
MA-C1-0.75	FRN0.1C1S-2A** FRN0.2C1S-2A** FRN0.4C1S-2A** FRN0.75C1S-2A**	FVR0.1E11S-2 FVR0.2E11S-2 FVR0.4E11S-2 FVR0.75E11S-2
	FRN0.1C1S-7A FRN0.2C1S-7A FRN0.4C1S-7A FRN0.75C1S-7A	FVR0.1E11S-7EN FVR0.2E11S-7EN FVR0.4E11S-7EN
	FRN0.1C1E-2A FRN0.2C1E-2A FRN0.4C1E-2A FRN0.75C1E-2A	FVR0.1E11S-2 FVR0.2E11S-2 FVR0.4E11S-2 FVR0.75E11S-2
	FRN0.1C1E-7A FRN0.2C1E-7A FRN0.4C1E-7A	FVR0.1E11S-7EN FVR0.2E11S-7EN FVR0.4E11S-7EN
	FRN3.7C1S-2A** FRN3.7C1S-4A** FRN2.2C1S-7A	FVR3.7E11S-2 FVR3.7E11S-4EN FVR2.2E11S-7EN

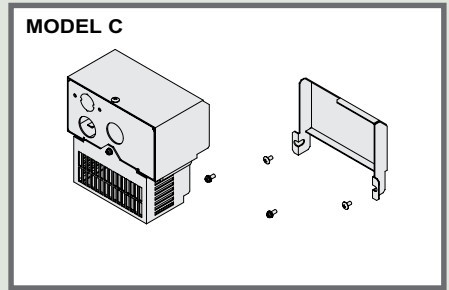
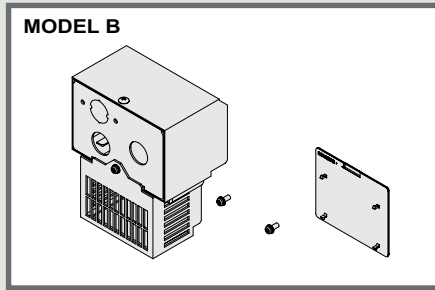
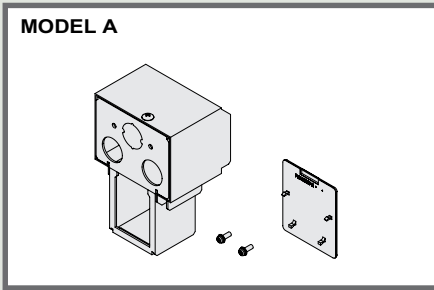
## ■ Rail mounting base (RMA-C1-□□□)

This is a base for mounting the inverter on a DIN rail (35mm wide).

Option type	Applicable Inverter type		
RMA-C1-0.75	FRN0.1C1S-2A** FRN0.2C1S-2A** FRN0.4C1S-2A** FRN0.75C1S-2A**		
	FRN0.1C1S-7A FRN0.2C1S-7A FRN0.4C1S-7A FRN0.75C1S-7A		
	FRN0.1C1E-2A FRN0.2C1E-2A FRN0.4C1E-2A FRN0.75C1E-2A		
	FRN0.1C1E-7A FRN0.2C1E-7A FRN0.4C1E-7A		
	RMA-C1-2.2	FRN1.5C1S-2A** FRN2.2C1S-2A** FRN0.4C1S-4A** FRN0.75C1S-4A** FRN1.5C1S-4A** FRN2.2C1S-4A** FRN1.5C1S-7A FRN0.4C1E-4A FRN0.75C1E-4A FRN0.75C1E-7A	
		RMA-C1-3.7	FRN3.7C1S-2A** FRN3.7C1S-4A** FRN2.2C1S-7A FRN1.5C1E-2A FRN2.2C1E-2A FRN3.7C1E-2A FRN1.5C1E-4A FRN2.2C1E-4A FRN3.7C1E-4A FRN1.5C1E-7A FRN2.2C1E-7A



## ■ NEMA1 kit (NEMA1-□□□C1-□)



NEMA1 kit, when fitted to the FRENIC-Mini series, protects the inverter body with the structure that conforms to the NEMA1 standard (approved as UL TYPE1).

Power supply voltage	Applicable Inverter type	Option type	MODEL
Three-phase 200V	FRN0.1C1S-2A**	NEMA1-0.2C1-2	A
	FRN0.2C1S-2A**		
	FRN0.4C1S-2A**		
	FRN0.75C1S-2A**	NEMA1-0.75C1-2	B
	FRN1.5C1S-2A**		
	FRN2.2C1S-2A**		
Three-phase 400V	FRN3.7C1S-2A**	NEMA1-3.7C1-2	C
	FRN0.4C1S-4A**	NEMA1-0.4C1-4	A
	FRN0.75C1S-4A**		
	FRN1.5C1S-4A**	NEMA1-2.2C1-2	B
FRN2.2C1S-4A**			
Single-phase 200V	FRN3.7C1S-4A**	NEMA1-3.7C1-2	C
	FRN0.1C1S-7A	NEMA1-0.2C1-2	A
	FRN0.2C1S-7A		
	FRN0.4C1S-7A	NEMA1-0.4C1-2	B
	FRN0.75C1S-7A	NEMA1-0.75C1-7	
	FRN1.5C1S-7A	NEMA1-1.5C1-7	B
FRN2.2C1S-7A	NEMA1-3.7C1-2	C	

Note) For the inverter type FRN0.1C1S-2A\*\*, the symbols \*\* are replaced with any of the following numeral codes:  
 21 (Braking resistor built-in type), None (Standard type)  
 The braking resistor built-in type is limited to the inverters for 1.5kW or larger.

## ● Warranty

The Compact Inverter **FRENIC-Mini**

To all our customers who purchase Fuji Electric FA Components & Systems' products:

Please take the following items into consideration when placing your order.

When requesting an estimate and placing your orders for the products included in these materials, please be aware that any items such as specifications which are not specifically mentioned in the contract, catalog, specifications or other materials will be as mentioned below. In addition, the products included in these materials are limited in the use they are put to and the place where they can be used, etc., and may require periodic inspection. Please confirm these points with your sales representative or directly with this company. Furthermore, regarding purchased products and delivered products, we request that you take adequate consideration of the necessity of rapid receiving inspections and of product management and maintenance even before receiving your products.

### 1. Free of Charge Warranty Period and Warranty Range

#### 1-1 Free of charge warranty period

- The product warranty period is "1 year from the date of purchase" or 24 months from the manufacturing date imprinted on the name place, whichever date is earlier.
- However, in cases where the use environment, conditions of use, use frequency and times used, etc., have an effect on product life, this warranty period may not apply.
- Furthermore, the warranty period for parts restored by Fuji Electric's Service Department is "6 months from the date that repairs are completed."

#### 1-2 Warranty range

- In the event that breakdown occurs during the product's warranty period which is the responsibility of Fuji Electric, Fuji Electric will replace or repair the part of the product that has broken down free of charge at the place where the product was purchased or where it was delivered. However, if the following cases are applicable, the terms of this warranty may not apply.
  - The breakdown was caused by inappropriate conditions, environment, handling or use methods, etc. which are not specified in the catalog, operation manual, specifications or other relevant documents.
  - The breakdown was caused by the product other than the purchased or delivered Fuji's product.
  - The breakdown was caused by the product other than Fuji's product, such as the customer's equipment or software design, etc.
  - Concerning the Fuji's programmable products, the breakdown was caused by a program other than a program supplied by this company, or the results from using such a program.
  - The breakdown was caused by modifications or repairs affected by a party other than Fuji Electric.
  - The breakdown was caused by improper maintenance or replacement using consumables, etc. specified in the operation manual or catalog, etc.
  - The breakdown was caused by a chemical or technical problem that was not foreseen when making practical application of the product at the time it was purchased or delivered.
  - The product was not used in the manner the product was originally intended to be used.
  - The breakdown was caused by a reason which is not this company's responsibility, such as lightning or other disaster.

- Furthermore, the warranty specified herein shall be limited to the purchased or delivered product alone.
- The upper limit for the warranty range shall be as specified in item (1) above and any damages (damage to or loss of machinery or equipment, or lost profits from the same, etc.) consequent to or resulting from breakdown of the purchased or delivered product shall be excluded from coverage by this warranty.

#### 1-3. Trouble diagnosis

As a rule, the customer is requested to carry out a preliminary trouble diagnosis. However, at the customer's request, this company or its service network can perform the trouble diagnosis on a chargeable basis. In this case, the customer is asked to assume the burden for charges levied in accordance with this company's fee schedule.

### 2. Exclusion of Liability for Loss of Opportunity, etc.

Regardless of whether a breakdown occurs during or after the free of charge warranty period, this company shall not be liable for any loss of opportunity, loss of profits, or damages arising from special circumstances, secondary damages, accident compensation to another company, or damages to products other than this company's products, whether foreseen or not by this company, which this company is not responsible for causing.

### 3. Repair Period after Production Stop, Spare Parts Supply Period (Holding Period)

Concerning models (products) which have gone out of production, this company will perform repairs for a period of 7 years after production stop, counting from the month and year when the production stop occurs. In addition, we will continue to supply the spare parts required for repairs for a period of 7 years, counting from the month and year when the production stop occurs. However, if it is estimated that the life cycle of certain electronic and other parts is short and it will be difficult to procure or produce those parts, there may be cases where it is difficult to provide repairs or supply spare parts even within this 7-year period. For details, please confirm at our company's business office or our service office.

### 4. Transfer Rights

In the case of standard products which do not include settings or adjustments in an application program, the products shall be transported to and transferred to the customer and this company shall not be responsible for local adjustments or trial operation.

### 5. Service Contents

The cost of purchased and delivered products does not include the cost of dispatching engineers or service costs. Depending on the request, these can be discussed separately.

### 6. Applicable Scope of Service

Above contents shall be assumed to apply to transactions and use of the country where you purchased the products. Consult the local supplier or Fuji for the detail separately.

# Japanese Guidelines for Suppressing Harmonics

## ● Guideline for Suppressing Harmonics in Home Electric and General-purpose Appliances

The Compact Inverter *FRENIC-Mini*

Our three-phase, 200V series inverters of 3.7kW or less (FRENIC-Mini series) are the products specified in the "Guideline for Suppressing Harmonics in Home Electric and General-purpose Appliances" (established in September 1994, and revised in October 1999) published by the Ministry of Economy, Trade and Industry. The Japan Electrical Manufacturers' Association has determined a standard of regulation levels based on this guideline. To meet this standard, a reactor (for harmonic suppression) must be connected to an inverter. Use a "DC reactor" introduced in this catalog.

For a reactor you want to prepare, please consult us about detailed specifications.

## ● Guideline for Suppressing Harmonics by Customers Receiving High Voltage or Special High Voltage

The Compact Inverter *FRENIC-Mini*

Our three-phase, 200V series inverters of 5.5kW or more and three-phase, 400V series inverters (FRENIC-Mini series) are the products specified in the "Guideline for Suppressing Harmonics by Customers Receiving High Voltage or Special High Voltage." When you enter into a new contract with an electric power company or update a contract, you are requested by the electric power company to submit an accounting statement form.

### (1) Scope of regulation

In principle, the guideline applies to the customers that meet the following two conditions:

- The customer receives high voltage or special high voltage.
- The "equivalent capacity" of the converter load exceeds the standard value for the receiving voltage (50kVA at a receiving voltage of 6.6kV).

### (2) Regulation method

The level (calculated value) of the harmonic current that flows from the customer's receiving point out to the system is subjected to the regulation. The regulation value is proportional to the contract demand. The regulation values specified in the guideline are shown in Table 1.

Table 1 Upper limits of harmonic outflow current per kW of contract demand [mA/kW]

Receiving voltage	5th	7th	11th	13th	17th	19th	23th	Over 25th
6.6kV	3.5	2.5	1.6	1.3	1.0	0.90	0.76	0.70
22kV	1.8	1.3	0.82	0.69	0.53	0.47	0.39	0.36

## 1. Calculation of Equivalent Capacity (Pi)

Although the equivalent capacity (Pi) is calculated using the equation of (input rated capacity)x(conversion factor), catalogs of conventional inverters do not contain input rated capacities. A description of the input rated capacity is shown below:

### (1) "Inverter rated capacity" corresponding to "Pi"

- Calculate the input fundamental current I<sub>1</sub> from the kW rating and efficiency of the load motor, as well as the efficiency of the inverter. Then, calculate the input rated capacity as shown below:  
Input rated capacity =  $\sqrt{3} \times (\text{power supply voltage}) \times I_1 \times 1.0228/1,000$  [kVA]  
where 1.0228 is the 6-pulse converter's value of (effective current)/(fundamental current).
- When a general-purpose motor or inverter motor is used, the appropriate value shown in Table 2 can be used. Select a value based on the kW rating of the motor used, irrespective of the inverter type.

Table 2 "Input rated capacities" of general-purpose inverters determined by the nominal applied motors

Nominal applied motor [kW]	0.4	0.75	1.5	2.2	3.7	5.5	
Pi [kVA]	200V	*Inapplicable inverter models					6.77
	400V	0.57	0.97	1.95	2.81	4.61	6.77

### (2) Values of "Ki (conversion factor)"

- Depending on whether an optional ACR (AC reactor) or DCR (DC reactor) is used, apply the appropriate conversion factor specified in the appendix to the guideline. The values of the conversion factor are shown in Table 3.

Table 3 "Conversion factors Ki" for general-purpose inverters determined by reactors

Circuit category	Circuit type	Conversion factor Ki	Main applications	
3	Three-phase bridge (capacitor smoothing)	Without a reactor	K31=3.4	<ul style="list-style-type: none"> <li>• General-purpose inverters</li> <li>• Elevators</li> <li>• Refrigerators, air conditioning systems</li> <li>• Other general appliances</li> </ul>
		With a reactor (ACR)	K32=1.8	
		With a reactor (DCR)	K33=1.8	
		With reactors (ACR and DCR)	K34=1.4	

## 2. Calculation of Harmonic Current

### (1) Value of "input fundamental current"

- Apply the appropriate value shown in Table 4 based on the kW rating of the motor, irrespective of the inverter type or whether a reactor is used.
- \* If the input voltage is different, calculate the input fundamental current in inverse proportion to the current.

Table 4 "Input fundamental currents" of general-purpose inverters determined by the nominal applied motors

Nominal applied motor [kW]	0.4	0.75	1.5	2.2	3.7	5.5	
Input fundamental current [A]	200V	*Inapplicable inverter models					19.1
	400V	0.81	1.37	2.75	3.96	6.50	9.55
6.6 kV converted value [mA]	49	83	167	240	394	579	

### (2) Calculation of harmonic current

Table 5 Generated harmonic current [%], 3-phase bridge (capacitor smoothing)

Degree	5th	7th	11th	13th	17th	19th	23th	25th
Without a reactor	65	41	8.5	7.7	4.3	3.1	2.6	1.8
With a reactor (ACR)	38	14.5	7.4	3.4	3.2	1.9	1.7	1.3
With a reactor (DCR)	30	13	8.4	5.0	4.7	3.2	3.0	2.2
With reactors (ACR and DCR)	28	9.1	7.2	4.1	3.2	2.4	1.6	1.4

- ACR: 3%
- DCR: Accumulated energy equal to 0.08 to 0.15ms (100% load conversion)
- Smoothing capacitor: Accumulated energy equal to 15 to 30ms (100% load conversion)
- Load: 100%
- Calculate the harmonic current of each degree using the following equation:

$$\text{nth harmonic current [A]} = \frac{\text{Fundamental current [A]} \times \text{Generated nth harmonic current [\%]}}{100}$$

### (3) Maximum availability factor

- For a load for elevators, which provides intermittent operation, or a load with a sufficient designed motor rating, reduce the current by multiplying the equation by the "maximum availability factor" of the load.
- The "maximum availability factor of an appliance" means the ratio of the capacity of the harmonic generator in operation at which the availability reaches the maximum, to its total capacity, and the capacity of the generator in operation is an average for 30 minutes.
- In general, the maximum availability factor is calculated according to this definition, but the standard values shown in Table 6 are recommended for inverters for building equipment.

Table 6 Availability factors of inverters, etc. for building equipment (standard values)

Equipment type	Inverter capacity category	Single inverter availability factor
Air conditioning system	200kW or less	0.55
	Over 200kW	0.60
Sanitary pump	—	0.30
Elevator	—	0.25
Refrigerator, freezer	50kW or less	0.60
UPS (6-pulse)	200kVA	0.60

[Correction coefficient according to contract demand level]

- Since the total availability factor decreases if the scale of a building increases, calculating reduced harmonics with the correction coefficient  $\beta$  defined in Table 7 below is permitted.

Table 7 Correction coefficient according to the building scale

Contract demand [kW]	Correction coefficient $\beta$
300	1.00
500	0.90
1000	0.85
2000	0.80

\* If the contract demand is between two specified values shown in Table 7, calculate the value by interpolation.

### (4) Degree of harmonics to be calculated

Calculate only the "5th and 7th" harmonic currents.

## The rich lineup of the active Fuji inverter family

The Compact Inverter **FRENIC-Mini**

Applications	Series Name (Catalog No.)	Features
General Industrial equipment	<b>FRENIC5000G11S</b> (MEH403 for JE) (MEH413 for EN)	<b>High-performance, multi-function inverter</b> <span style="border: 1px solid black; border-radius: 10px; padding: 2px;">Capacity range expanded</span> (Three-phase 200V: 0.2 to 90kW, Three-phase 400V: 0.4 to 630kW) <ul style="list-style-type: none"> <li>● Fuji's original dynamic torque vector control system delivers a starting torque of 200% at 0.5Hz.</li> <li>● These inverters are packed with a full range of convenient functions, beginning with an auto tuning function.</li> <li>● Compact, fully enclosed (22kW and below).</li> </ul>
	<b>FRENIC5000P11S</b> (MEH403)	<b>Fan, pump inverter</b> <span style="border: 1px solid black; border-radius: 10px; padding: 2px;">Capacity range expanded</span> (Three-phase 200V: 5.5 to 110kW, Three-phase 400V: 5.5 to 710kW) <ul style="list-style-type: none"> <li>● Suitable for fans and pumps.</li> <li>● The built-in automatic energy-saving function makes energy saving operation easy.</li> <li>● An interactive keypad is standard-equipped for ease of operation.</li> </ul>
	<b>NEW</b> <b>FRENIC-Multi</b> (MEH652)	<b>High performance, compact inverter</b> (Three-phase 200V: 0.1 to 15kW, Single-phase 200V: 0.1 to 2.2kW, Three-phase 400V: 0.4 to 15kW) <ul style="list-style-type: none"> <li>● The inverter featuring environment-friendly and long life design (10 years) complies with R0HS Directives (products manufactured beginning in the autumn of 2005).</li> <li>● With expanded capacity range, abundant model variation, and simple and thorough maintenance, the Multi is usable for a wide range of applications.</li> <li>● Equipped with the functions optimum for the operations specific to vertical and horizontal conveyance, such as hit-and-stop control, brake signal, torque limit, and current limit.</li> </ul>
	<b>FRENIC-Eco</b> (MEH442)	<b>Fan, pump inverter (for variable torque load)</b> (Three-phase 200V: 0.75 to 110kW, Three-phase 400V: 0.75 to 560kW) <ul style="list-style-type: none"> <li>● Developed exclusively for controlling variable torque load like fans and pumps.</li> <li>● Full of new function such as auto energy saving, PID control, life warning, and switching sequence to the commercial power supply.</li> <li>● Ideal for air conditioners, fans, pumps, etc. which were difficult to use with conventional general-purpose inverters because of cost of functions.</li> </ul>
	<b>FRENIC-Mini</b> (MEH451 for EN)	<b>Compact inverter</b> (Three-phase 200V: 0.1 to 3.7kW, Three-phase 400V: 0.4 to 3.7kW, Single-phase 200V: 0.1 to 2.2kW, Single-phase 100V: 0.1 to 0.75kW) <ul style="list-style-type: none"> <li>● A frequency setting device is standard-equipped, making operation simple.</li> <li>● Loaded with auto torque boost, current limiting, and slip compensation functions, all of which are ideal for controlling traverse conveyors.</li> <li>● Loaded with the functions for auto energy saving operation and PID control, which are ideal for controlling fans and pumps.</li> </ul>
	<b>FRENIC5000VG7S</b> (MEH405)	<b>High performance, vector control inverter</b> <span style="border: 1px solid black; border-radius: 10px; padding: 2px;">Capacity range expanded</span> (Three-phase 200V: 0.75 to 90kW, Three-phase 400V: 3.7 to 630kW) <ul style="list-style-type: none"> <li>● A high precision inverter with rapid control response and stable torque characteristics.</li> <li>● Abundant functions and a full range of options make this inverter ideal for a broad range of general industrial systems.</li> <li>● The auto tuning function makes vector control operation possible even for general-purpose motors.</li> </ul>
	<b>FRENIC5000MG5</b>	<b>Inverter with the power supply regeneration function</b> (Three-phase 200V: 3.7 to 45kW) <ul style="list-style-type: none"> <li>● A separate converter is used, and up to 2 drive units can be connected to a single converter unit.</li> <li>● The power regeneration function is standard-equipped in the converter unit.</li> <li>● These inverters can be used for general-purpose motors.</li> </ul>
High frequency operation	<b>FRENIC5000H11S</b>	<b>High frequency inverter</b> (Three-phase 200V: 2.2 to 18.5kW) <ul style="list-style-type: none"> <li>● Fuji's original sine wave PWM control system delivers stable operation from the low speed range to the high speed range.</li> <li>● Capable of handling output frequencies from 1 to 1667Hz.</li> <li>● The desired V/f pattern can be set and polygonal line frequency can be set to match the motor characteristics.</li> </ul>
Controlling machine tool	<b>FRENIC5000MS5</b> (MEH391)	<b>Machine tool spindle drive system</b> (Three-phase 200V: 0.75 to 45kW) <ul style="list-style-type: none"> <li>● The separated converter allows you to configure a multi-axis system.</li> <li>● Free combinations are made possible such as torque vector/high performance vector control and dynamic braking/power regeneration.</li> <li>● Abundant option functions enable multitasking machining with a machine tool.</li> </ul>



## NOTES

### Application to standard motors

#### • Driving a 400V standard motor

When driving a 400V standard motor by an inverter with long cable lengths, damage may occur in the insulation of motor. Use the output circuit filter (OFL) if necessary after confirmation with the motor manufacturer. The use of Fuji Electric Motor does not require the output circuit filter because of its reinforced insulation.

#### • Torque characteristics and temperature rise

When the inverter is used to operate a standard motor, the temperature rises higher than during operation from a commercial power supply. The cooling effect decreases in the low-speed range, reducing the allowable output torque. (If a constant torque is required in the low-speed range, use a Fuji inverter motor or a motor equipped with a separately ventilating fan.)

#### • Vibration

Use of an inverter does not increase vibration of a standard motor, but when the motor is mounted to a machine, resonance may be caused by the natural frequencies including the natural frequency of the machine system.

\* We recommend that you use a rubber coupling or anti-vibration rubber.

\* We also recommend that you use the inverter jump frequency control function to avoid resonance point in the motor operation.

Note that operation of a 2-pole motor at 60Hz or over may cause abnormal vibration.

#### • Noise

When an inverter drives a standard motor, the motor noise level increases compared with driven by commercial power. To reduce noise, set the inverter carrier frequency at a high level. High-speed operation at 60Hz or over can result in more noise.

### Application to special motors

#### • Explosion-proof motors

When driving an explosion-proof motor with an inverter, use a combination of a motor and an inverter that has been approved in advance. Such approved products are available in our special product series. Contact Fuji for details.

#### • Submersible motors and pumps

These motors have a larger rated current than standard motors. Select the inverter capacity so that these motors can run within the inverter rated current. These motors differ from standard motors in thermal characteristics.

Set a small value according to the thermal time constant of motor for setting electronic thermal relay function.

#### • Brake motors

For the motors with parallel-connected brakes, connect the brake power cable to the inverter's input side (primary circuit). If the brake power is connected to the output side (secondary circuit), the power may not be supplied to the brake, resulting in non-actuation of the brake. Do not use inverters for driving motors equipped with series-connected brakes.

#### • Geared motors

When the power transmission mechanism uses an

oil-lubricated gearbox or speed changer/reducer, continuous motor operation at low speed may cause poor lubrication.

#### • Synchronous motors

Synchronous motors cannot be driven by FRENIC-Mini inverter.

#### • Single-phase motors

Single-phase motors are not suitable for inverter-driven variable speed operation. Use three-phase motors.

\* Even if a single-phase power supply is available, use a three-phase motor, because the inverter provides three-phase output.

### Combination with peripheral device

#### • Installation location

Use the inverter in an ambient temperature range between -10 to 50 C.

The inverter and braking resistor surfaces become hot under certain operating conditions. Install an inverter on non-flammable material.

#### • Installing a circuit breaker

To protect the circuit from overcurrent, install a recommended molded-case circuit breaker (MCCB) or an earth-leakage circuit breaker (ELCB) (equipped with overcurrent protection function) on the inverter's input side (primary circuit). Ensure that the circuit breaker capacity does not exceed the recommended value.

#### • Magnetic contactor on the output side (secondary circuit)

When a magnetic contactor is installed on the inverter's output side (secondary circuit) for such a purpose as switching the power to the commercial power supply, ensure that both inverter and motor are stopped before switching. Remove the surge suppressor integrated with the magnetic contactor.

#### • Magnetic contactor on the input side (primary circuit)

Avoid frequent open/close (more than once an hour) of the circuit using the magnetic contactor on the input side (primary circuit). It may cause malfunction of the inverter. If frequent starts and stops are required, use signals to the control terminals FWD or REV.

#### • Protecting the motor

When you drive a motor with an inverter, the motor can be protected with an electronic thermal relay function of the inverter. In addition to the operation level, set the motor type (standard motor, inverter motor). For high-speed motors or water-cooled motors, set a small value in the thermal time constant to protect the motor in combination with the cooling system OFF signal. When driving several motors with an inverter, connect a thermal relay to each motor and turn on the inverter's electronic thermal relay function. If you connect the motor thermal relay to the motor with a long cable, high-frequency current may flow into the wiring stray capacitance. This may cause the relay to trip at a current lower than the set value for the thermal relay. If this happens, lower the carrier frequency or use the output circuit filter (OFL).

#### • Power-factor correcting capacitor

Do not mount the power-factor correcting capacitor in the inverter primary circuit. (Use the DC reactor to improve the inverter power factor.) Do not use the power-factor correcting capacitor in the inverter secondary circuit. Overcurrent trip will occur,

disabling motor operation.

#### • Reducing noise

Use of filter and shielded wires are typical measures against noise that meets EMC Directives. For details, refer to the operation procedure manual.

#### • Measures against surge current

If OV trip occurs while the inverter is stopped or operated under a light load, it is assumed that the surge current is generated by open/close of the phase-advancing capacitor in the power system.

\* Connect a DC reactor to the inverter.

#### • Megger test

When checking insulation resistance of the inverter, use a 500V megger and follow the instructions described in the instruction manual.

### Wiring

#### • Control circuit wiring length

When using remote control, limit the wiring length between the inverter and operator box to 20m or less and use twisted shielded cable.

#### • Wiring length between inverter and motor

If long wiring is used between the inverter and the motor, the inverter will overheat or trip because of overcurrent (under the influence of high-frequency current flowing into the stray capacitance) in the wires connected to the phases. Ensure that the wiring is shorter than 50m for models 3.7kW or smaller, shorter than 100m for 5.5kW or larger. If these lengths must be exceeded, lower the carrier frequency or mount an output circuit filter (OFL).

When wiring is longer than 50m, and Dynamic torque-vector control is selected, execute off-line tuning.

#### • Wiring size

Select a cable with a sufficient capacity by referring to the current value or recommended wire size.

#### • Grounding

Securely ground the inverter using the grounding terminal.

### Selecting inverter capacity

#### • Driving standard motor

Select an inverter from the capacity range of nominal applied motors shown in the inverter standard specifications table. When large starting torque is required or acceleration or deceleration is required in a short time, select an inverter with a capacity one size greater than the standard.

#### • Driving special motor

Select an inverter that meets the following condition: Inverter rated current > Motor rated current

### Transportation, storage

When transporting or storing inverters, select the procedures and places that meet the environmental conditions given in the inverter specifications. Ensure that the above environmental conditions are met also when transporting an inverter mounted to a machine.

# Fuji Electric FA Components & Systems Co., Ltd.

Mitsui Sumitomo Bank Ningyo-cho Bldg.,  
5-7, Nihonbashi Odemma-cho, Chuo-ku, Tokyo 103-0011, Japan  
Phone: +81-3-5847-8011 Fax: +81-3-5847-8172



Printed on 100% recycled paper