

POWERED MIXER

EMX 7/EMX 5

MIXER ACCESSORY

RK-EMX7

SERVICE MANUAL

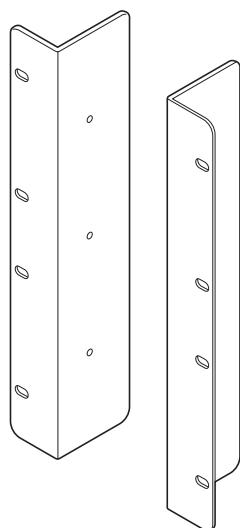


EMX7



EMX5

■ RK-EMX7



■ CONTENTS (目次)

SPECIFICATIONS (総合仕様)	3
PANEL LAYOUT (パネルレイアウト)	6
DIMENSIONS (寸法図)	9
CIRCUIT BOARD LAYOUT (ユニットレイアウト)	10
DISASSEMBLY PROCEDURE (分解手順)	12
LSI PIN DESCRIPTION (LSI端子機能表)	22
CIRCUIT BOARDS (シート基板図)	26
TEST PROGRAM (テストプログラム)	47/55
MEASUREMENT (測定)	63/69
CALIBRATION (キャリブレーション)	75/76
LIST OF COMMAND (コマンド一覧)	77/78
START-UP SEQUENCE (起動シーケンス)	79
RACK MOUNTING (ラックマウント)	80/81
PARTS LIST (EMX7/EMX5)	
PARTS LIST (RK-EMX7)	
BLOCK DIAGRAM (ブロックダイアグラム)	
WIRING (結線図)	
CIRCUIT DIAGRAM (回路図)	

IMPORTANT NOTICE

This manual has been provided for the use of authorized Yamaha Retailers and their service personnel. It has been assumed that basic service procedures inherent to the industry, and more specifically Yamaha Products, are already known and understood by the users, and have therefore not been restated.

WARNING : Failure to follow appropriate service and safety procedures when servicing this product may result in personal injury, destruction of expensive components and failure of the product to perform as specified. For these reasons, we advise all Yamaha product owners that all service required should be performed by an authorized Yamaha Retailer or the appointed service representative.

IMPORTANT : This presentation or sale of this manual to any individual or firm does not constitute authorization certification, recognition of any applicable technical capabilities, or establish a principal-agent relationship of any form.

The data provided is believed to be accurate and applicable to the unit(s) indicated on the cover. The research engineering, and service departments of Yamaha are continually striving to improve Yamaha products. Modifications are, therefore, inevitable and changes in specification are subject to change without notice or obligation to retrofit. Should any discrepancy appear to exist, please contact the distributor's Service Division.

WARNING : Static discharges can destroy expensive components. Discharge any static electricity your body may have accumulated by grounding yourself to the ground bus in the unit (heavy gauge black wires connect to this bus.)

IMPORTANT : Turn the unit OFF during disassembly and parts replacement. Recheck all work before you apply power to the unit.

WARNING: This product contains chemicals known to the State of California to cause cancer, or birth defects or other reproductive harm.

DO NOT PLACE SOLDER, ELECTRICAL/ELECTRONIC OR PLASTIC COMPONENTS IN YOUR MOUTH FOR ANY REASON WHAT SO EVER!

Avoid prolonged, unprotected contact between solder and your skin! When soldering, do not inhale solder fumes or expose eyes to solder/ flux vapor!


If you come in contact with solder or components located inside the enclosure of this product, wash your hands before handling food.

IMPORTANT NOTICE FOR THE UNITED KINGDOM**Connecting the Plug and Cord**

WARNING: THIS APPARATUS MUST BE EARTHED IMPORTANT.
The wires in this mains lead are coloured in accordance with the following code:

GREEN-AND-YELLOW	: EARTH
BLUE	: NEUTRAL
BROWN	: LIVE

As the colours of the wires in the mains lead of this apparatus may not correspond with the coloured markings identifying the terminals in your plug proceed as follows:

The wire which is coloured GREEN-and-YELLOW must be connected to the terminal in the plug which is marked by the letter E or by the safety earth symbol  or colored GREEN or GREEN-and-YELLOW.

The wire which is coloured BLUE must be connected to the terminal which is marked with the letter N or coloured BLACK.

The wire which is coloured BROWN must be connected to the terminal which is marked with the letter L or coloured RED.

(3 wires)

■ WARNING

Components having special characteristics are marked  and must be replaced with parts having specification equal to those originally installed.

 印の部品は、安全を維持するために重要な部品です。交換する場合は、安全のために必ず指定の部品をご使用ください。

SPECIFICATIONS (総合仕様)

● General Specifications (一般仕様)

0 dBu = 0.775 Vrms, Output impedance of signal generator (Rs) = 150 Ω (シグナルジェネレーターの出力インピーダンス: 150Ω)
All level controls are at their maximum position if not specified. (特に指定のない場合、コントロールは最大位置。)

Maximum Output Power	1 kHz THD+N < 10% (CEA2006)	EMX7	710 W + 710 W (4 Ω) 500 W + 500 W (8 Ω)	
		EMX5	630 W + 630 W (4 Ω) 460 W + 460 W (8 Ω)	
	1 kHz THD+N < 1% (CEA2006)	EMX7	600 W + 600 W (4 Ω) 400 W + 400 W (8 Ω)	
		EMX5	500 W + 500 W (4 Ω) 370 W + 370 W (8 Ω)	
		Input to SPEAKERS		Input to STEREO OUT, AUX1 SEND, AUX2 SEND
Frequency Response	Refer to the nominal output level @ 1 kHz	+1 dB/-3 dB (40 Hz to 20 kHz)		+0.5 dB/-1 dB (20 Hz to 20 kHz)
Total Harmonic Distortion ¹ (THD+N)	MIC/LINE = LINE (CH1-4)	EMX7	0.1% @ 10 W (40 Hz to 20 kHz) 0.04% @ 65 W (1 kHz)	0.02% @ +14 dBu (20 Hz to 20 kHz) 0.007% @ +20 dBu (1 kHz)
		EMX5	0.1% @ 10 W (40 Hz to 20 kHz) 0.05% @ 50 W (1 kHz)	0.03% @ +14 dBu (20 Hz to 20 kHz) 0.007% @ +20 dBu (1 kHz)
Hum & Noise ² (20 Hz to 20 kHz)	Equivalent Input Noise		-117 dBu	
	Residual Output Noise		-70 dBu (40 Hz to 20 kHz, STEREO MASTER LEVEL: min)	-82 dBu (20 Hz to 20 kHz, STEREO MASTER LEVEL: min)
Crosstalk (1 kHz) ³		-85 dB		
Input channels	TOTAL: 12 channels	Mono (MIC/LINE): 8, Stereo (LINE): 4		
Output channels		SPEAKERS [A, B], AUX1 SEND, AUX2 SEND, STEREO OUT [L, R], REC OUT [L, R]		
Bus		Stereo: 1, AUX: 2 (Including FX)		
Input Channel Function	MIC/LINE (CH1-4)	30 dB PAD		
	Hi-Z (CH4)	Supported		
	HPF (CH1-3)	80 Hz, -12 dB/oct.		
	Equalizer (EQ)	HIGH: 10 kHz +15 dB / -15 dB (Shelving) MID: 2.5 kHz +15 dB / -15 dB (Peaking) LOW: 100 Hz +15 dB / -15 dB (Shelving)		
COMP (CH1-4)		1-knob COMP		
Level Meter		EMX7	2 × 12 points LED meter (-30, -25, -20, -15, -10, -6, -3, 0, +3, +6, +10, PEAK)	
		EMX5	2 × 7 points LED meter (-20, -10, -6, 0, +6, +10, PEAK)	
Built-in Effect	SPX Algorithm	24 programs		
Output Channel Function		EMX7	Feedback suppressor, Graphic equalizer, Speaker processor	
		EMX5	Feedback suppressor, Master EQ, Monitor EQ	
Phantom Power Voltage		+48 V		
FOOT SW		Effect mute on/off		
Protection		Load Protection: DC-fault Amplifier Protection: Over heat protection, Over current protection, Integral power protection Power Supply Protection: Over heat protection, Over current protection		
Power Requirements		AC 100-240 V, 50 Hz/60 Hz		
Power Consumption		EMX7	45 W (Idle) / 250 W (1/8 Power)	
		EMX5	42 W (Idle) / 210 W (1/8 Power)	
Dimensions (W × H × D)		465 mm × 308 mm × 325 mm (18.3" × 12.1" × 12.8")		
Net Weight		9.5 kg (20.9 lb)		
Included Accessory		AC Power Cord (2.5 m), Owner's Manual, Technical Specifications		
Optional Accessory		Rack-mount brackets: RK-EMX7, Foot switch: FC5		
Operating Temperature		0 to +40°C		

*1 THD+N is measured with 22 kHz LPF. (全高調波歪率は、22kHzローパスフィルターで測定。)

*2 Noise is measured with A-weighting filter. (ノイズは、A-weightingフィルターで測定。)

*3 Crosstalk is measured with 1 kHz band pass filter. (クロストークは、1kHz バンドパスフィルターで測定。)

●Analog Input Characteristics (アナログ入力仕様)

0 dBu = 0.775 Vrms

Input Jack		MIC/LINE	Hi-Z	Actual Load Impedance	For Use with Nominal	Input Level			Connector
						Sensitivity ^{*1}	Nominal Level (▼ Position) ^{*2}	Max. Before Clip	
CH 1-4	XLR	MIC	—	3 kΩ	50-600 Ω Mics	-60 dBu (0.775 mV)	-43 dBu (5.48 mV)	-15 dBu (138 mV)	Combo jack ^{*3} (Balanced)
		LINE	—			-30 dBu (24.5 mV)	-13 dBu (173 mV)	+15 dBu (4.36 V)	
	Phone	MIC	—	8 kΩ	600 Ω Lines	-50 dBu (2.45 mV)	-33 dBu (17.3 mV)	-5 dBu (436 mV)	
		LINE	—			-20 dBu (77.5 mV)	-3 dBu (548 mV)	+25 dBu (13.8 V)	
CH 4 (Hi-Z)	Phone	MIC	ON	1 MΩ	10 kΩ Lines	-50 dBu (2.45 mV)	-33 dBu (17.3 mV)	-5 dBu (436 mV)	Phone jack ^{*4} (Unbalanced)
		LINE				—	-20 dBu (77.5 mV)	-3 dBu (548 mV)	
CH 5/6, 7/8	XLR	—	—	3 kΩ	50-600 Ω Mics	-60 dBu (0.775 mV)	-43 dBu (5.48 mV)	-15 dBu (138 mV)	XLR-3-31 ^{*5} (Balanced)
	Phone	—	—	10 kΩ	600 Ω Lines	-20 dBu (77.5 mV)	-3 dBu (548 mV)	+25 dBu (13.8 V)	Phone jack ^{*4} (Unbalanced)
CH 9/10, 11/12	XLR	—	—	3 kΩ	50-600 Ω Mics	-60 dBu (0.775 mV)	-43 dBu (5.48 mV)	-15 dBu (138 mV)	XLR-3-31 ^{*5} (Balanced)
	Phone	—	—	10 kΩ	600 Ω Lines	-8 dBu (316 mV)	+10 dBu (2.45 V)	+25 dBu (13.8 V)	RCA pin (Unbalanced)
CH 11/12	Mini jack	—	—	10 kΩ	600 Ω Lines	-8 dBu (316 mV)	+10 dBu (2.45 V)	+25 dBu (13.8 V)	Stereo mini jack ^{*6} (Unbalanced)

*1 Sensitivity is the lowest level that will produce an output of +4 dBu (1.228 V) or the nominal output level when the unit is set to maximum gain.

(All level controls are at their maximum position.)

*2 Level controls setting : Channel level controls are at their ▼ position. Master level controls are at their maximum position.

*3 1&Sleeve = GND, 2&Tip = HOT, 3&Ring = COLD *4 Tip = Signal, Sleeve = GND *5 1 = GND, 2 = HOT, 3 = COLD *6 Tip = LEFT, Ring = RIGHT, Sleeve = GND

●Analog Output Characteristics (アナログ出力仕様)

0 dBu = 0.775 Vrms

0 dBV = 1.00 Vrms

Output Jack	Actual Source Impedance	For Use with Nominal	Output level		Connector
			Nominal	Max. Before Clip	
STEREO OUT L, R	600 Ω	10 kΩ Lines	+4 dBu (1.228 V)	+20 dBu (7.75 V)	Phone jack ^{*1} (Impedance balanced)
AUX SEND 1, 2	600 Ω	10 kΩ Lines	+4 dBu (1.228 V)	+20 dBu (7.75 V)	Phone jack ^{*1} (Impedance balanced)
REC OUT L, R	600 Ω	10 kΩ Lines	-10 dBV (0.308 V)	+18 dBV (7.75 V)	RCA pin (Unbalanced)


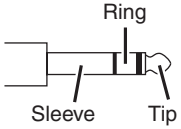

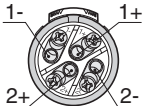
*1 Tip = HOT, Ring = COLD, Sleeve = GND

●Speaker Output Characteristics (スピーカー出力仕様)

Output Jack	Actual Source Impedance	For Use with Nominal	Output level		Connector	
			1 kHz THD+N < 1% (CEA2006)	1 kHz THD+N < 10% (CEA2006)		
SPEAKERS A, B	< 0.1 Ω	4 Ω Speakers	EMX7	600 W	710 W	Neutrik speakON® NL4 ^{*1} Phone jack ^{*2}
			EMX5	500 W	630 W	
		8 Ω Speakers	EMX7	400 W	500 W	
			EMX5	370 W	460 W	


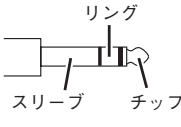
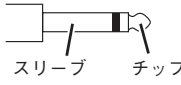

*1 1+ = Positive, 1- = Negative *2 Tip = Positive, Sleeve = Negative

● Jack and Plug List (端子とプラグ一覧)

Jack (Input/Output)	Polarity	Balanced/Unbalanced	Configuration
MIC/LINE MIC	Pin 1: Ground Pin 2: Hot (+) Pin 3: Cold (-)	Balanced	XLR jack Input 
MIC/LINE *1	Tip: Hot (+) Ring: Cold (-) Sleeve: Ground	Balanced	TRS phone plug 
AUX1 SEND *1 AUX2 SEND *1 STEREO OUT *1	Tip: Hot (+) Ring: Cold (-) Sleeve: Ground	Impedance balanced *2	
LINE 5/6, 7/8 FOOT SW	Tip: Signal Sleeve: Ground	Unbalanced	TS phone plug 
SPEAKERS A/B	Tip: Positive Sleeve: Negative		
SPEAKERS A/B	1+: Positive 1-: Negative	—	speakON plug 

*1 These jacks also can be connected with TS phone plugs. If you use TS phone plugs, the connection will be unbalanced.

*2 Since the hot and cold terminals of impedance balanced output jacks have the same impedance, the balanced connection enables these output jacks to be less affected by induced noise.

入出力端子	端子の極性	バランス/アンバランス	端子/プラグの形状
MIC/LINE MIC	ピン1: グラウンド ピン2: ホット (+) ピン3: コールド (-)	バランス	XLR端子 入力 
MIC/LINE *1	チップ: ホット (+) リング: コールド (-) スリーブ: グラウンド	バランス	TRSフォンプラグ 
AUX1 SEND *1 AUX2 SEND *1 STEREO OUT *1	チップ: ホット (+) リング: コールド (-) スリーブ: グラウンド	インピーダンスバランス*2	
LINE 5/6, 7/8 FOOT SW	チップ: シグナル スリーブ: グラウンド	アンバランス	TRSフォンプラグ 
SPEAKERS A/B	チップ: ポジティブ スリーブ: ネガティブ		
SPEAKERS A/B	1+: ポジティブ 1-: ネガティブ	—	スピコンプラグ 

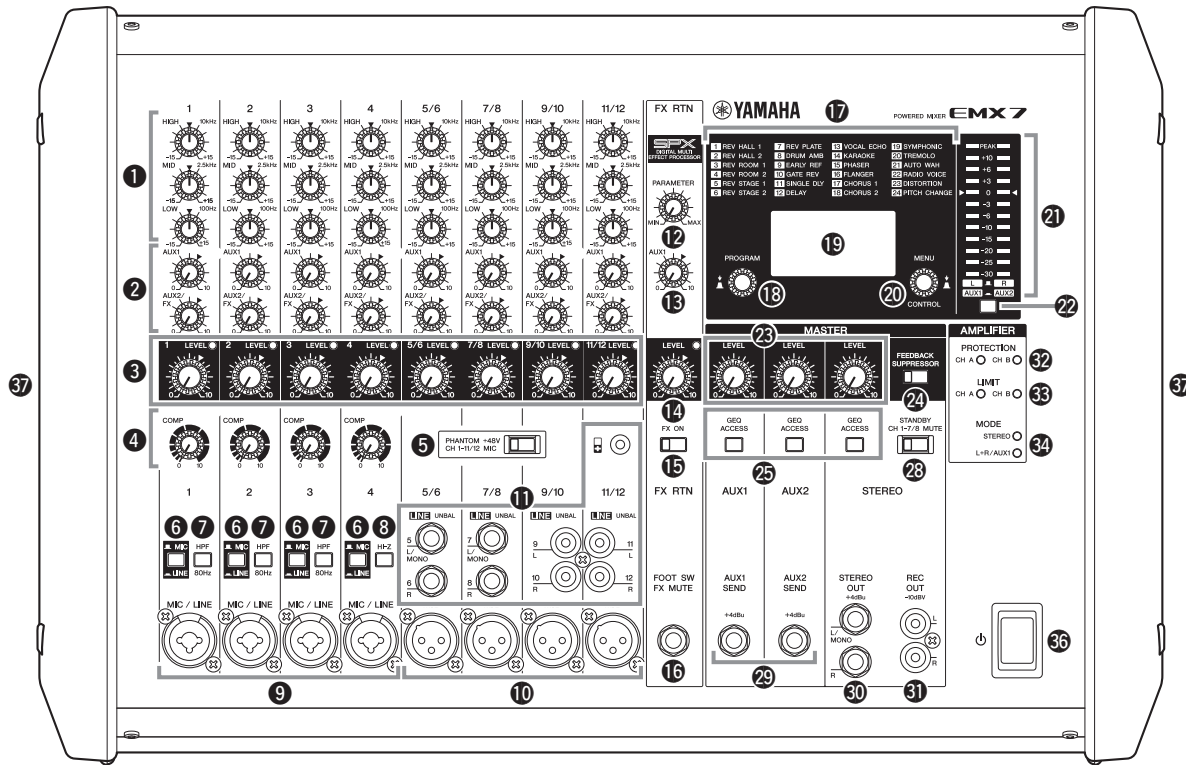
*1 これらの入出力端子にTSフォンで接続することもできます。その場合は、アンバランスになります。

*2 ホットとコールドの出力インピーダンスを同じ値にしているため、バランス接続時に誘導ノイズの影響を受けにくくなります。

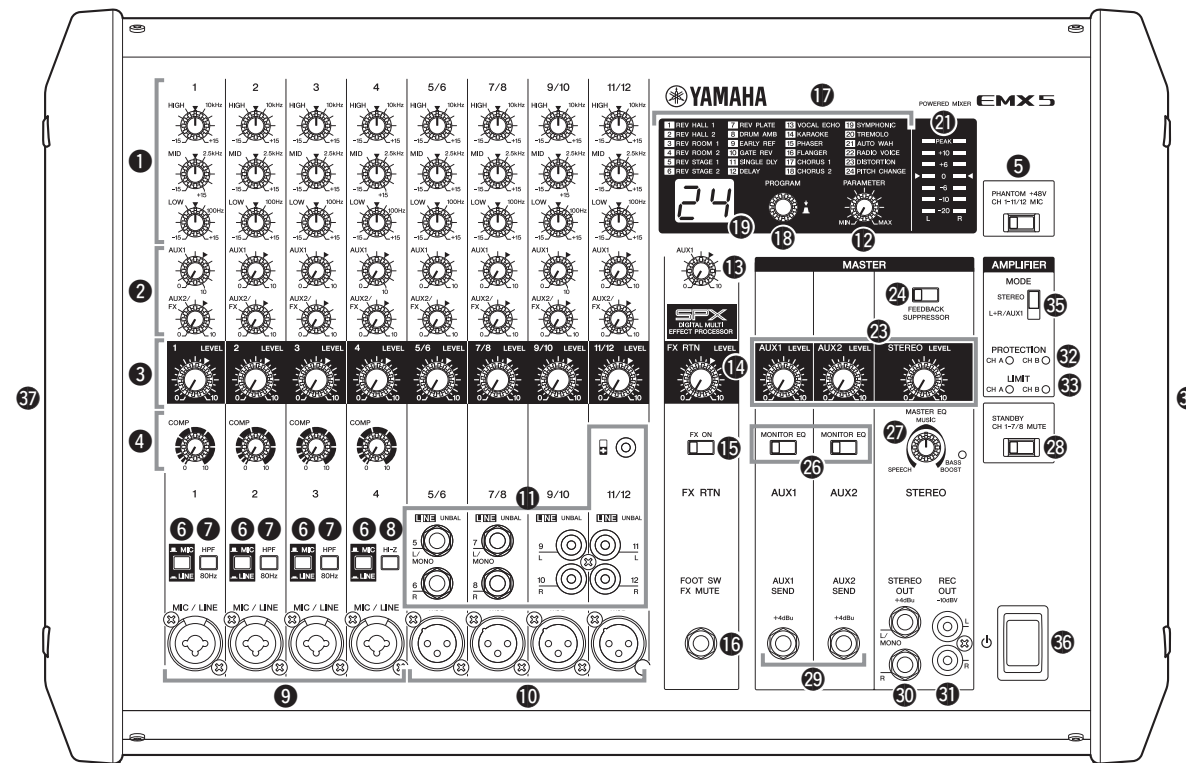
PANEL LAYOUT (パネルレイアウト)

• Front Panel (フロントパネル)

Model : EMX7

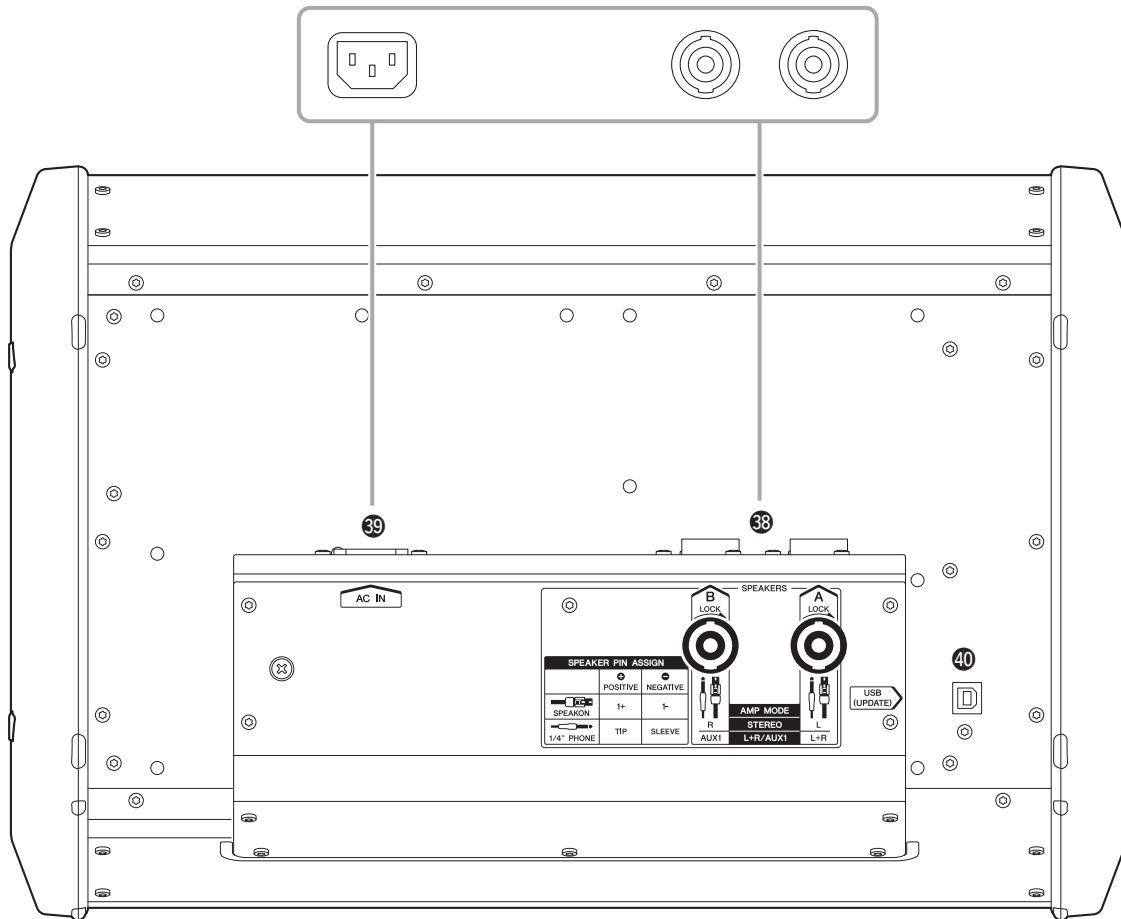


Model : EMX5



- | | |
|--|---|
| <ul style="list-style-type: none"> ① Equalizer controls [HIGH]/[MID]/[LOW] ② [AUX1] send controls (Channels 1 – 11/12)
[AUX2/FX] send controls (Channels 1 – 11/12) ③ [LEVEL] controls (Channels 1 – 11/12)
Signal indicators (Channels 1 – 11/12) (EMX7 only) ④ [COMP] controls ⑤ [PHANTOM +48V] switch ⑥ [MIC / LINE] switches (Channels 1 – 4) ⑦ [HPF] (High Pass Filter) switches (Channels 1 – 3) ⑧ [Hi-Z] switch (Channel 4) ⑨ [MIC/LINE] input jacks (Channels 1 – 4) ⑩ [MIC] input jacks (Channels 5/6, 7/8, 9/10, 11/12) ⑪ [LINE] input jacks (Channels 5/6, 7/8, 9/10, 11/12) ⑫ FX RTN (Effect Return) [PARAMETER] control ⑬ FX RTN (Effect Return) [AUX1] send control ⑭ FX RTN (Effect Return) [LEVEL] control
Signal indicator (EMX7 only) ⑮ FX RTN (Effect Return) [FX ON] switch ⑯ FX RTN (Effect Return) [FOOT SW] (Foot Switch) jack ⑰ Effect program list ⑱ [PROGRAM] rotary encoder ⑲ Display ⑳ [MENU/CONTROL] rotary encoder (EMX7 only) ㉑ Level meter ㉒ Level meter switch (EMX7 only) ㉓ AUX1 MASTER [LEVEL] control
AUX2 MASTER [LEVEL] control
STEREO MASTER [LEVEL] control ㉔ [FEEDBACK SUPPRESSOR] switch ㉕ [GEQ ACCESS] buttons (EMX7 only) ㉖ [MONITOR EQ] switches (EMX5 only) ㉗ [MASTER EQ] control (EMX5 only) ㉘ [STANDBY] switch ㉙ [AUX1 SEND] jack
[AUX2 SEND] jack ㉚ [STEREO OUT] jacks ㉛ [REC OUT] jacks ㉜ AMPLIFIER [PROTECTION] indicators ㉝ AMPLIFIER [LIMIT] indicators ㉞ AMPLIFIER [MODE] indicators (EMX7 only) ㉟ AMPLIFIER [MODE] switch (EMX5 only) ㊱ [⏻] (Power) switch ㊲ Vents | <ul style="list-style-type: none"> ① イコライザーコントロール [HIGH]/[MID]/[LOW] ② [AUX1]センドコントロール (チャンネル1～11/12)
[AUX2/FX]センドコントロール (チャンネル1～11/12) ③ [LEVEL]コントロール (チャンネル1～11/12)
シグナルインジケータ (チャンネル1～11/12) (EMX7のみ) ④ [COMP]コントロール ⑤ [PHANTOM +48V] スイッチ ⑥ [MIC / LINE] スイッチ (チャンネル1～4) ⑦ [HPF] (ハイパスフィルター) スイッチ (チャンネル1～3) ⑧ [Hi-Z]スイッチ (チャンネル4) ⑨ [MIC/LINE]入力端子 (チャンネル1～4) ⑩ [MIC]入力端子 (チャンネル5/6, 7/8, 9/10, 11/12) ⑪ [LINE]入力端子 (チャンネル5/6, 7/8, 9/10, 11/12) ⑫ FX RTN (エフェクトリターン) [PARAMETER] コントロール ⑬ FX RTN (エフェクトリターン) [AUX1] センドコントロール ⑭ FX RTN (エフェクトリターン) [LEVEL] コントロール
シグナルインジケータ (EMX7のみ) ⑮ FX RTN (エフェクトリターン) [FX ON] スイッチ ⑯ FX RTN (エフェクトリターン) [FOOT SW] (フットスイッチ) 端子 ⑰ エフェクトプログラムリスト ⑱ [PROGRAM] エンコーダー ⑲ ディスプレイ ⑳ [MENU/CONTROL] エンコーダー (EMX7のみ) ㉑ レベルメーター ㉒ レベルメーター切り替えスイッチ (EMX7のみ) ㉓ AUX1 MASTER [LEVEL] コントロール
AUX2 MASTER [LEVEL] コントロール
STEREO MASTER [LEVEL] コントロール ㉔ [FEEDBACK SUPPRESSOR]
(フィードバックサプレッサー) スイッチ ㉕ [GEQ ACCESS]ボタン (EMX7のみ) ㉖ [MONITOR EQ]スイッチ (EMX5のみ) ㉗ [MASTER EQ]コントロール (EMX5のみ) ㉘ [STANDBY] スイッチ ㉙ [AUX1 SEND] 端子
[AUX2 SEND] 端子 ㉚ [STEREO OUT] 端子 ㉛ [REC OUT] 端子 ㉜ AMPLIFIER [PROTECTION]インジケータ ㉝ AMPLIFIER [LIMIT] インジケータ ㉞ AMPLIFIER [MODE] インジケータ (EMX7のみ) ㉟ AMPLIFIER [MODE] スイッチ (EMX5のみ) ㊱ [⏻] (電源) スイッチ ㊲ 通風孔 |
|--|---|

• Rear Panel (リアパネル)



38 [SPEAKERS A/B] jacks

39 [AC IN] jack

40 [USB] terminal

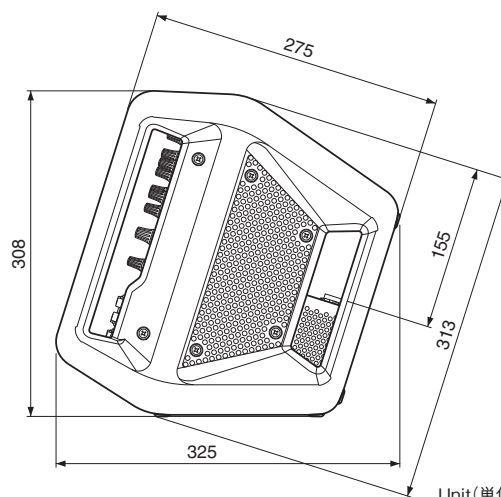
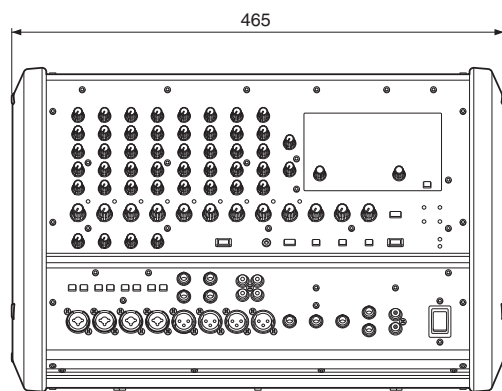
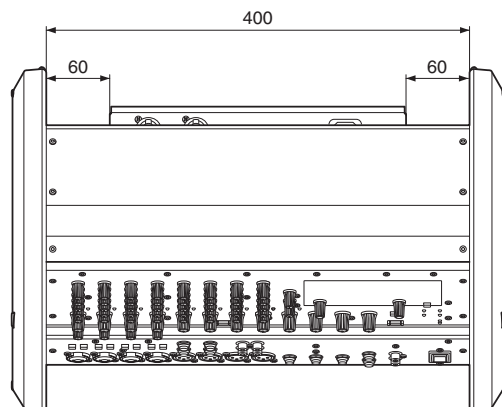
38 [SPEAKERS A/B]端子

39 [AC IN]端子

40 USB]端子

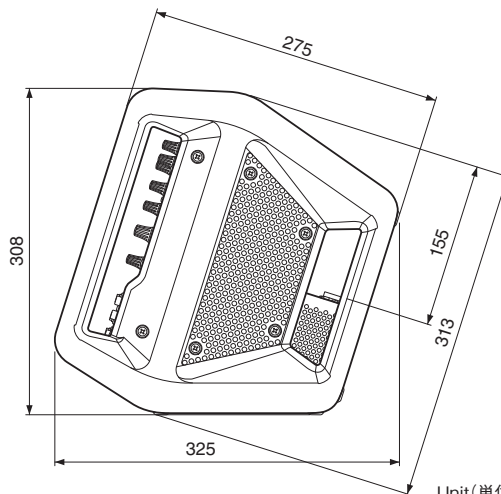
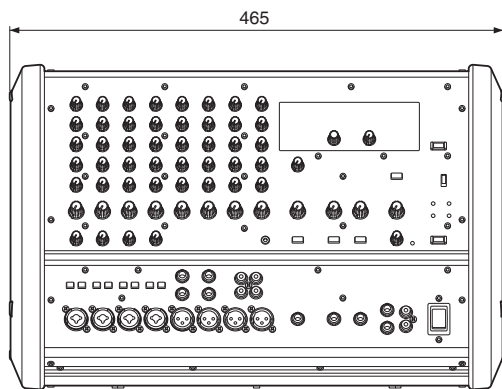
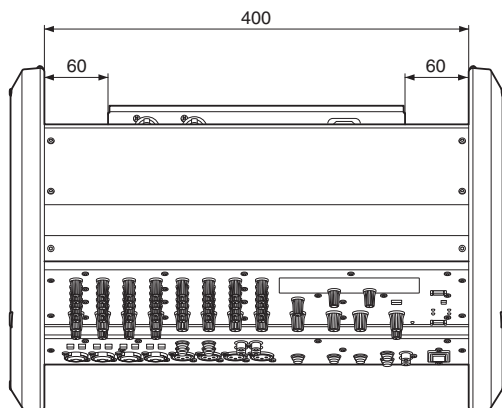
DIMENSIONS (寸法図)

Model : EMX7



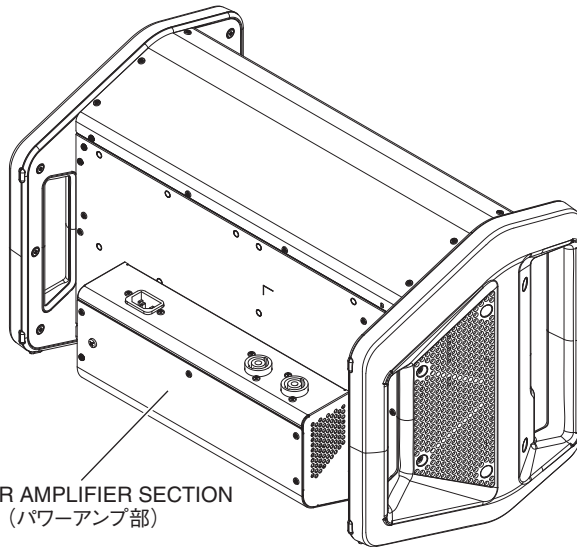
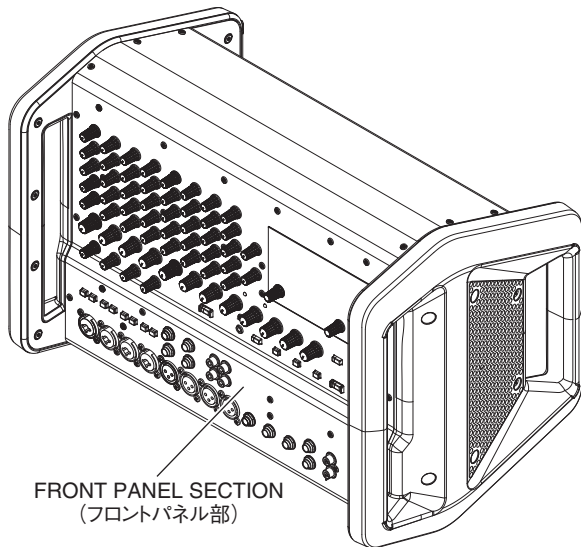
Unit(単位): mm

Model : EMX5



Unit(単位): mm

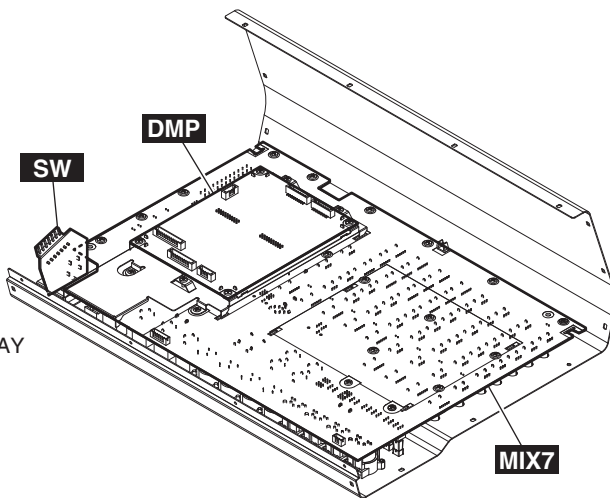
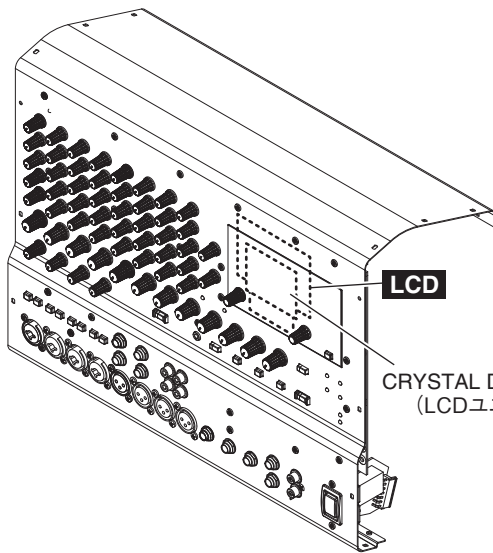
CIRCUIT BOARD LAYOUT (ユニットレイアウト)



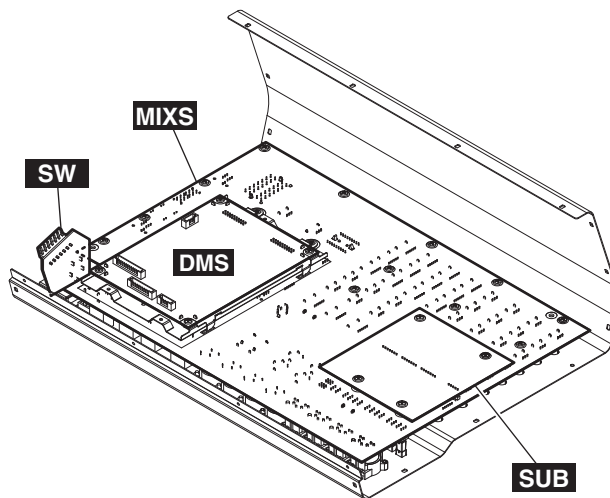
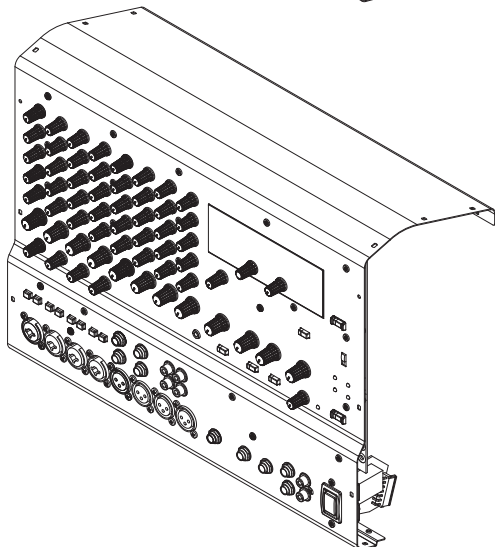
※This figure shows the EMX7. (この図は、EMX7です。)

• Front panel section (フロントパネル部)

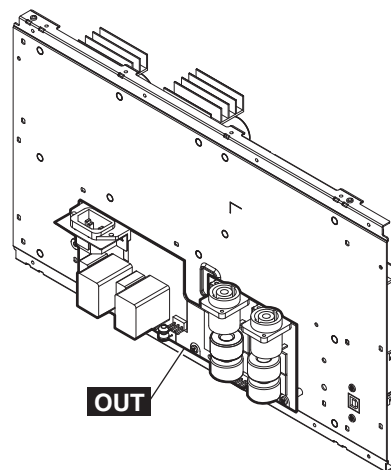
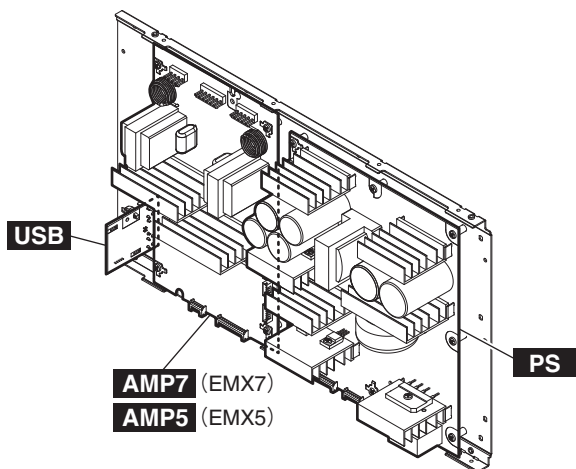
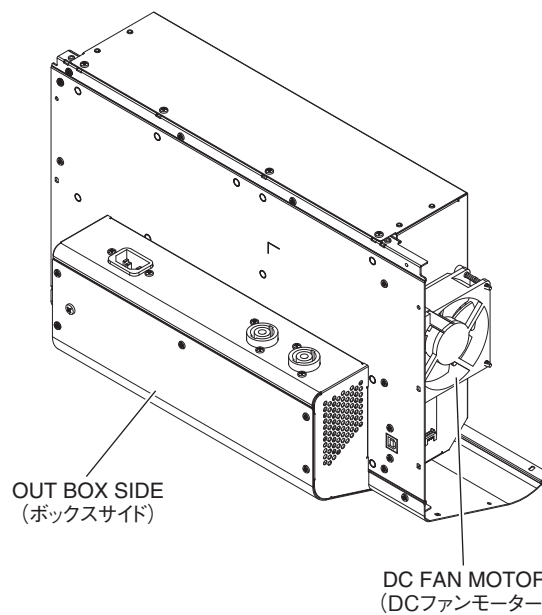
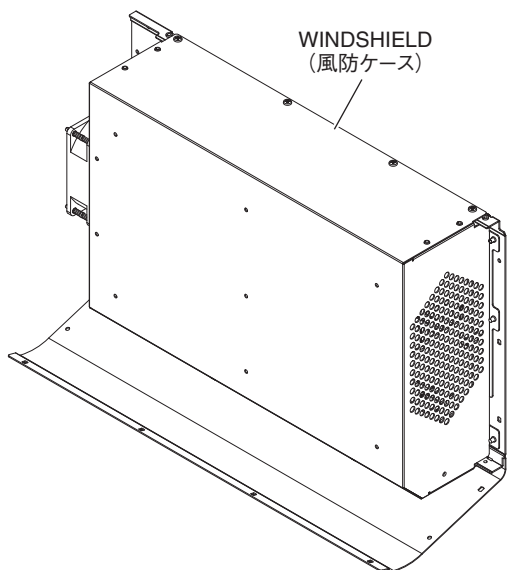
Model : EMX7



Model : EMX5



• Power amplifier section (パワーアンプ部)



DISASSEMBLY PROCEDURE (分解手順)

Caution:

- Install the binding tie and the cord clamp in the same way as they were before removal.
- After replacing the DMP circuit board / AMP7 circuit board (EMX7) or the DMS circuit board / AMP5 circuit board (EMX5), be sure to execute calibration of the replacement part. (Refer to page 75.)

注意事項

- インシュロックタイ、束線止めは、取り外す前と同じように取り付けてください。
- DMPシート/AMP7シート(EMX7)またはDMSシート/AMP5シート(EMX5)の交換後は、交換部品のキャリブレーションを実施してください。(76ページ参照。)

1. Side Pad R (Time required: About 1 minute)

1-1 Remove the six (6) screws marked [1090]. The side pad R can then be removed. (Fig. 1)

- * When installing the side pad R, first tighten the priority screws in order as shown in Fig. 1.

1. サイドパッドR (所要時間:約1分)

1-1 [1090]のネジ6本を外して、サイドパッドRを外します。(図1)

- ※ サイドパッドRを取り付ける際は、優先ネジを図1に示す順で締めてください。

2. Side Pad L (Time required: About 1 minute)

2-1 Remove the six (6) screws marked [1100]. The side pad L can then be removed. (Fig. 1)

- * When installing the side pad L, first tighten the priority screws in order as shown in Fig. 1.

2. サイドパッドL (所要時間:約1分)

2-1 [1100]のネジ6本を外して、サイドパッドLを外します。(図1)

- ※ サイドパッドLを取り付ける際は、優先ネジを図1に示す順で締めてください。

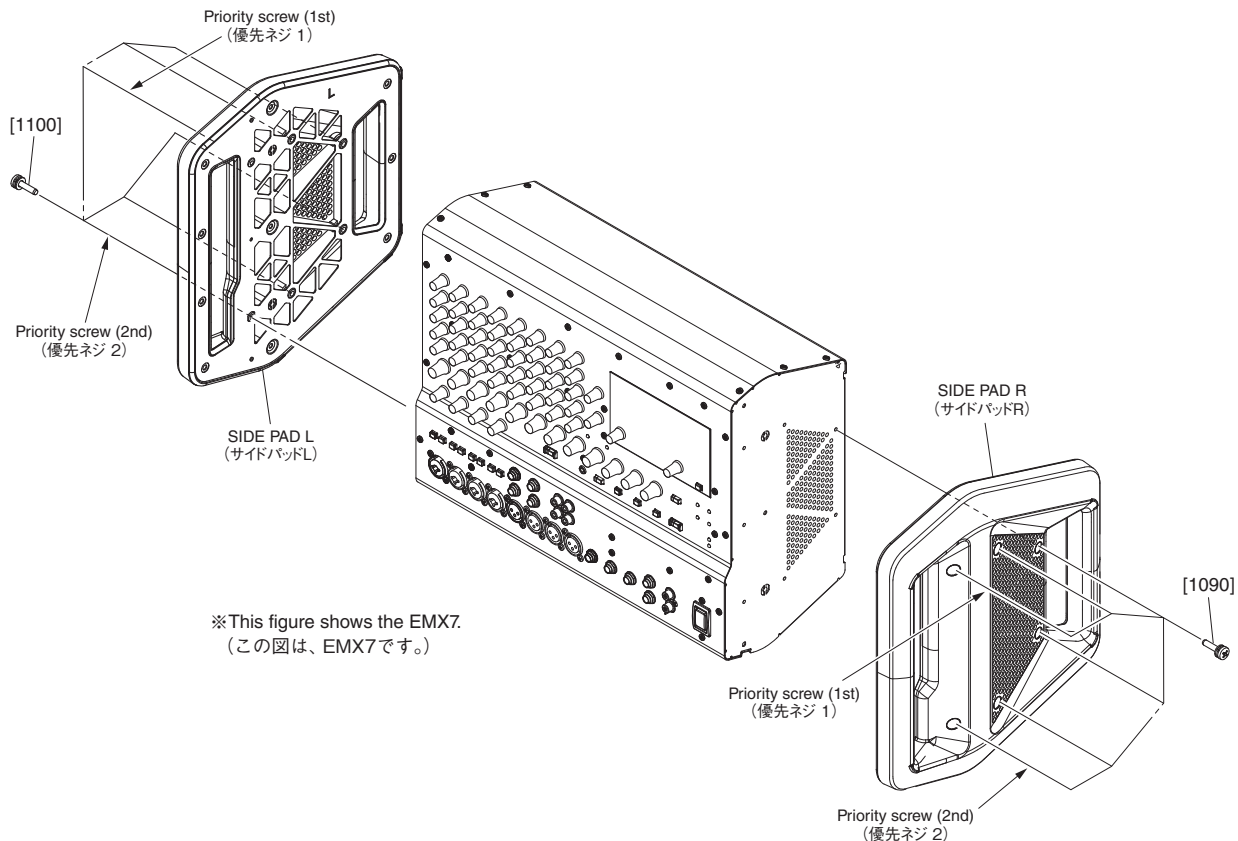


Fig. 1 (図1)

3. Out Box Cover

(Time required: About 4 minutes)

- 3-1 Remove the side pad R/L. (See procedure 1, 2.)
- 3-2 Remove the seven (7) screws marked [1000] and the three (3) screws marked [1010]. The out box cover can then be removed. (Fig. 2)
- * **When installing the out box cover, first tighten the screws marked [1010] and then tighten the screws marked [1000]. (Fig. 2)**
- * **For the screws marked [1010], first tighten the priority screws in order as shown in Fig. 2.**

4. Bottom Cover

(Time required: About 6 minutes)

- 4-1 Remove the side pad R/L. (See procedure 1, 2.)
- 4-2 Remove the out box cover. (See procedure 3.)
- 4-3 Remove the four (4) screws marked [960], the four (4) screws marked [970] and the five (5) screws marked [980]. The bottom cover can then be removed. (Fig. 2)
- * **When installing the bottom cover, first tighten the screws marked [980] and then tighten the screws marked [960] and [970]. (Fig. 2)**
- * **For the screws marked [980], first tighten the priority screws in order as shown in Fig. 2.**

5. Power Amplifier Section, Front Panel Section (Time required: About 8 minutes)

- 5-1 Remove the side pad R/L. (See procedure 1, 2.)
- 5-2 Remove the out box cover. (See procedure 3.)
- 5-3 Remove the bottom cover. (See procedure 4.)
- 5-4 Remove the six (6) screws marked [930] and the four (4) screws marked [940]. (Fig. 2)
- 5-5 Lift the front side of the power amplifier section and then lift it obliquely toward you to remove it. (Photo 1)
- * **When installing the power amplifier section and front panel section, first tighten the priority screws in order as shown in Fig. 2.**

3. ボックスカバー (所要時間:約4分)

- 3-1 サイドパッド R/Lを外します。(1、2項参照)
- 3-2 [1000]のネジ7本と[1010]のネジ3本を外して、ボックスカバーを外します。(図2)
- ※ ボックスカバーを取り付ける際は、先に[1010]のネジを締めてから[1000]のネジを締めてください。(図2)
- ※ [1010]ネジは、優先ネジを図2に示す順で締めてください。

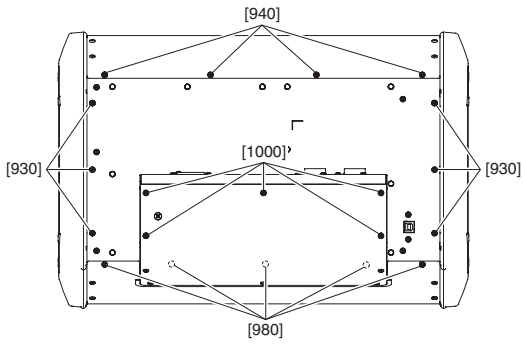
4. ボトムカバー (所要時間:約6分)

- 4-1 サイドパッド R/Lを外します。(1、2項参照)
- 4-2 ボックスカバーを外します。(3項参照)
- 4-3 [960]のネジ4本と[970]のネジ4本、[980]のネジ5本を外して、ボトムカバーを外します。(図2)
- ※ ボトムカバーを取り付ける際は、先に[980]のネジを締めてから[960]と[970]のネジを締めてください。(図2)
- ※ [980]ネジは、優先ネジを図2に示す順で締めてください。

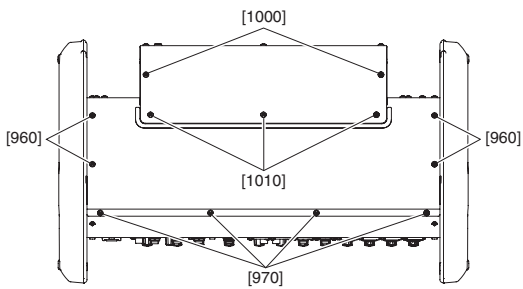
5. パワーアンプ部、フロントパネル部 (所要時間:約8分)

- 5-1 サイドパッド R/Lを外します。(1、2項参照)
- 5-2 ボックスカバーを外します。(3項参照)
- 5-3 ボトムカバーを外します。(4項参照)
- 5-4 [930]のネジ6本と[940]のネジ4本を外します。(図2)
- 5-5 パワーアンプ部の手前を上げて、斜め手前に持ち上げて外します。(写真1)
- ※ パワーアンプ部、フロントパネル部を取り付ける際は、優先ネジを図2に示す順で締めてください。

<Rear view (背面)>



<Bottom view (底面)>



※This figure shows the EMX7.
(この図は、EMX7です。)

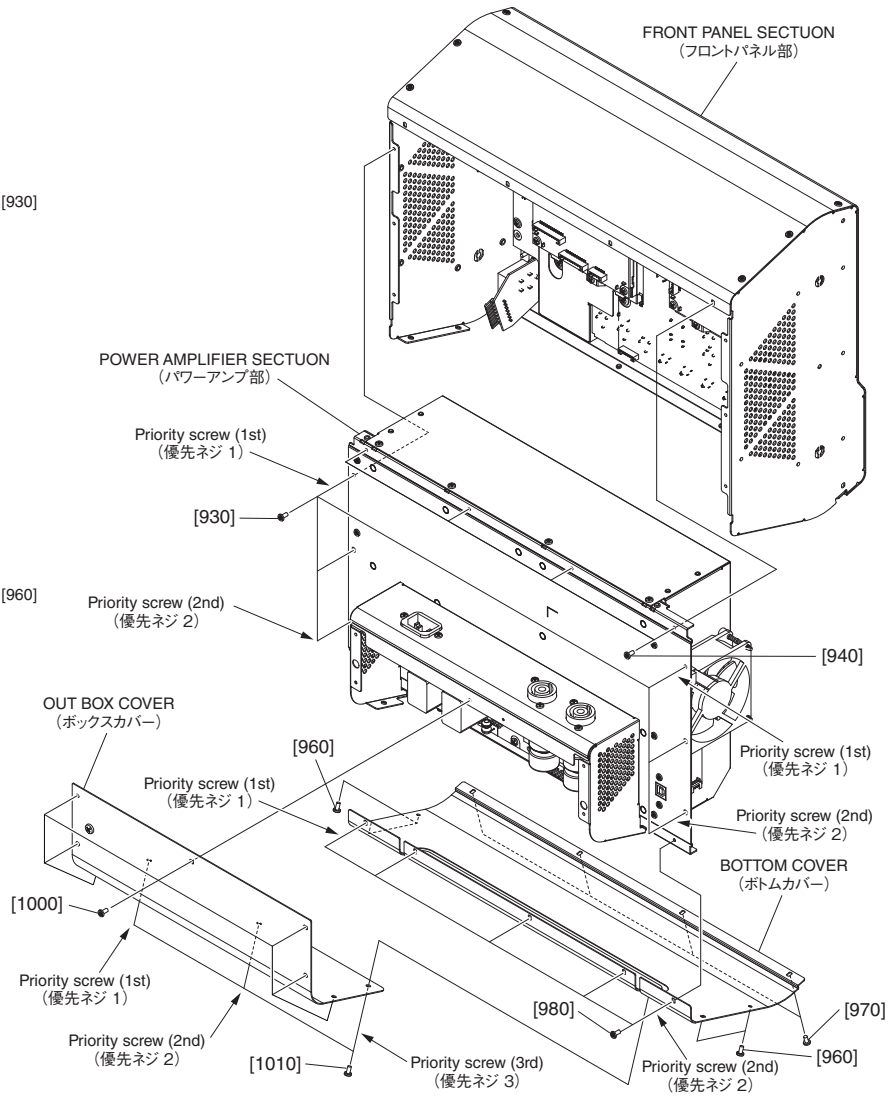
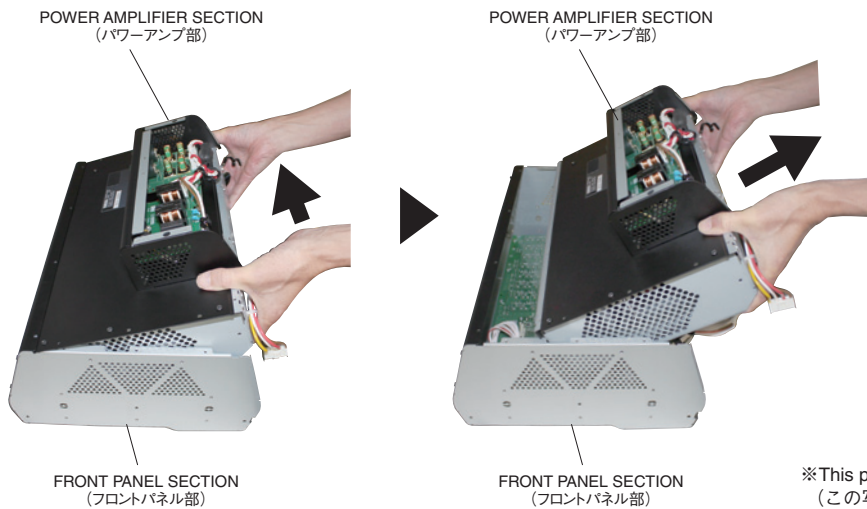


Fig. 2 (図2)



※This photo shows the EMX7.
(この写真は、EMX7です。)

Photo 1 (写真1)

Disassembly of the Power Amplifier section.

- * Before disassembly, remove the power amplifier section in advance.
(See procedure 5 on page 13.)

6. OUT Circuit Board

(Time required: About 10 minutes)

- 6-1 Remove the two (2) screws marked [860], the two (2) screws marked [870], the four (4) screws marked [880], the four (4) screws marked [900] and the screw marked [920]. The OUT circuit board can then be removed. (Fig. 3)

* When installing the OUT circuit board, first tighten the priority screws in order as shown in Fig. 3.

* Mount the wire (toothed lug) of the AC INLET parallel to the edge surface of the OUT circuit board. (Fig. 3)

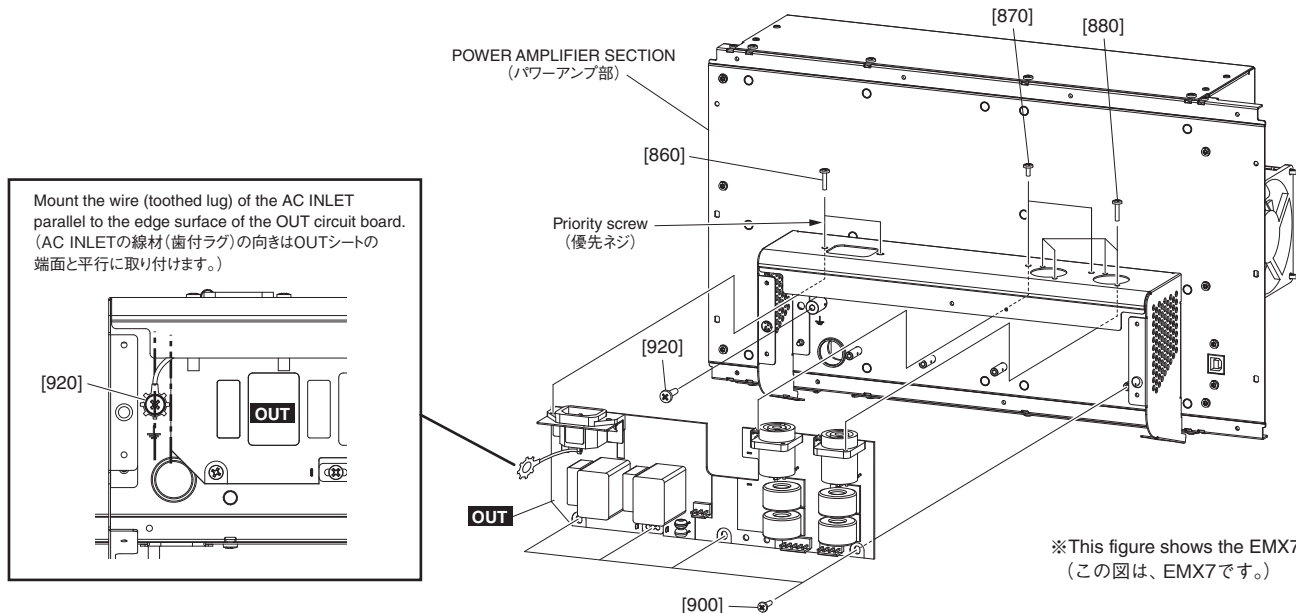


Fig. 3 (図3)

7. USB Circuit Board

(Time required: About 10 minutes)

- 7-1 Remove the two (2) screws marked [820]. (Fig. 4)
7-2 Straighten the hooks and remove the USB circuit board. (Fig. 4)

* When installing the USB circuit board, first tighten the priority screws in order as shown in Fig. 4.

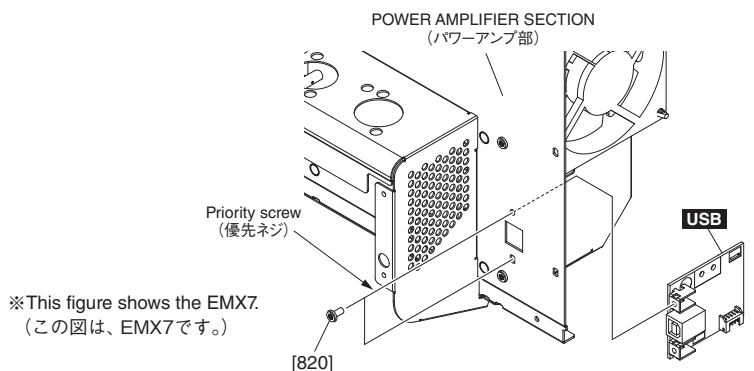


Fig. 4 (図4)

パワーアンプ部の分解

- ※ あらかじめパワーアンプ部を外しておきます。
(13ページの5項参照)

6. OUTシート (所要時間:約10分)

- 6-1 [860]のネジ2本と[870]のネジ2本、[880]のネジ4本と[900]のネジ4本、[920]のネジ1本を外して、OUTシートを外します。(図3)

※ OUTシートを取り付ける際は、優先ネジを図3に示す順で締めてください。

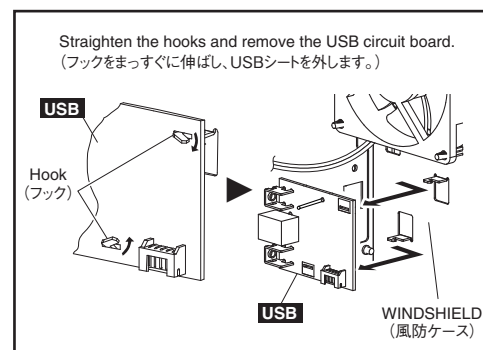
※ AC INLETの線材(歯付ラグ)の向きは、OUTシートの端面と平行に取り付けてください。(図3)

※ This figure shows the EMX7.
(この図は、EMX7です。)

7. USBシート (所要時間:約10分)

- 7-1 [820]のネジ2本を外します。(図4)
7-2 フックをまっすぐに伸ばして、USBシートを外します。(図4)

※ USBシートを取り付ける際は、優先ネジを図4に示す順で締めてください。



8. Windshield (Time required: About 12 minutes)

- 8-1 Remove the USB circuit board. (See procedure 7.)
- 8-2 Remove the DC fan motor connector assembly from CN305 of the AMP7 (EMX7) / AMP5 (EMX5) circuit board. (Fig. 5)
- 8-3 Remove the eight (8) screws marked [740] and the five (5) screws marked [810]. The windshield can then be removed. (Fig. 5)

9. PS Circuit Board (Time required: About 14 minutes)

- 9-1 Remove the USB circuit board. (See procedure 7.)
- 9-2 Remove the DC fan motor connector assembly from CN305 of the AMP7 (EMX7) / AMP5 (EMX5) circuit board. (Fig. 5)
- 9-3 Remove the windshield. (See procedure 8.)
- 9-4 Remove the OUTPS connector assembly from CN102 of the OUT circuit board. (Fig. 5)
- 9-5 Remove the nine (9) screws marked [680]. The PS circuit board can then be removed. (Fig. 5)

* **When installing the PS circuit board, first tighten the priority screws in order as shown in Fig. 5.**

10. AMP7 (EMX7) / AMP5 (EMX5) Circuit Board (Time required: About 15 minutes)

- 10-1 Remove the USB circuit board. (See procedure 7.)
- 10-2 Remove the DC fan motor connector assembly from CN305 of the AMP7 (EMX7) / AMP5 (EMX5) circuit board. (Fig. 5)
- 10-3 Remove the windshield. (See procedure 8.)
- 10-4 Remove the six (6) screws marked [660]. The AMP7 (EMX7) / AMP5 (EMX5) circuit board can then be removed. (Fig. 5)

* **When installing the AMP7 (EMX7) / AMP5 (EMX5) circuit board, first tighten the priority screws in order as shown in Fig. 5.**

* **After replacing the AMP7 circuit board (EMX7) or the AMP5 circuit board (EMX5), be sure to execute calibration of the replacement part. (Refer to page 75.)**

11. DC Fan Motor (Time required: About 9 minutes)

- 11-1 Remove the DC fan motor from four (4) places fan fixer. (Fig. 5)
- * **When installing the DC fan motor, be careful about the mounting direction of DC fan motor. (Fig. 5)**

8. 風防ケース (所要時間:約12分)

- 8-1 USBシートを外します。(7項参照)
- 8-2 AMP7シート (EMX7) / AMP5シート (EMX5) のCN305からDCファンモーターの束線を外します。(図5)
- 8-3 [740]のネジ8本と[810]のネジ5本を外して、風防ケースを外します。(図5)

9. PSシート (所要時間:約14分)

- 9-1 USBシートを外します。(7項参照)
- 9-2 AMP7シート (EMX7) / AMP5シート (EMX5) のCN305からDCファンモーターの束線を外します。(図5)
- 9-3 風防ケースを外します。(8項参照)
- 9-4 OUTシートのCN102からOUTPS束線を外します。(図5)
- 9-5 [680]のネジ9本を外して、PSシートを外します。(図5)

※ PSシートを取り付ける際は、優先ネジを図5に示す順で締めてください。

10. AMP7シート (EMX7) / AMP5シート (EMX5) (所要時間:約15分)

- 10-1 USBシートを外します。(7項参照)
- 10-2 AMP7シート (EMX7) / AMP5シート (EMX5) のCN305からDCファンモーターの束線を外します。(図5)
- 10-3 風防ケースを外します。(8項参照)
- 10-4 [660]のネジ6本を外して、AMP7シート (EMX7) / AMP5シート (EMX5) を外します。(図5)

※ AMP7シート (EMX7) / AMP5シート (EMX5) を取り付ける際は、優先ネジを図5に示す順で締めてください。

※ AMP7シート (EMX7) またはAMP5シート (EMX5) の交換後は、交換部品のキャリブレーションを実施してください。(76ページ参照。)

11. DCファンモーター (所要時間:約9分)

- 11-1 ファンフィクサー 4ヶ所からDCファンモーターを外します。(図5)
- ※ DCファンモーターを取り付ける際は、DCファンモーターの取付方向に注意してください。(図5)

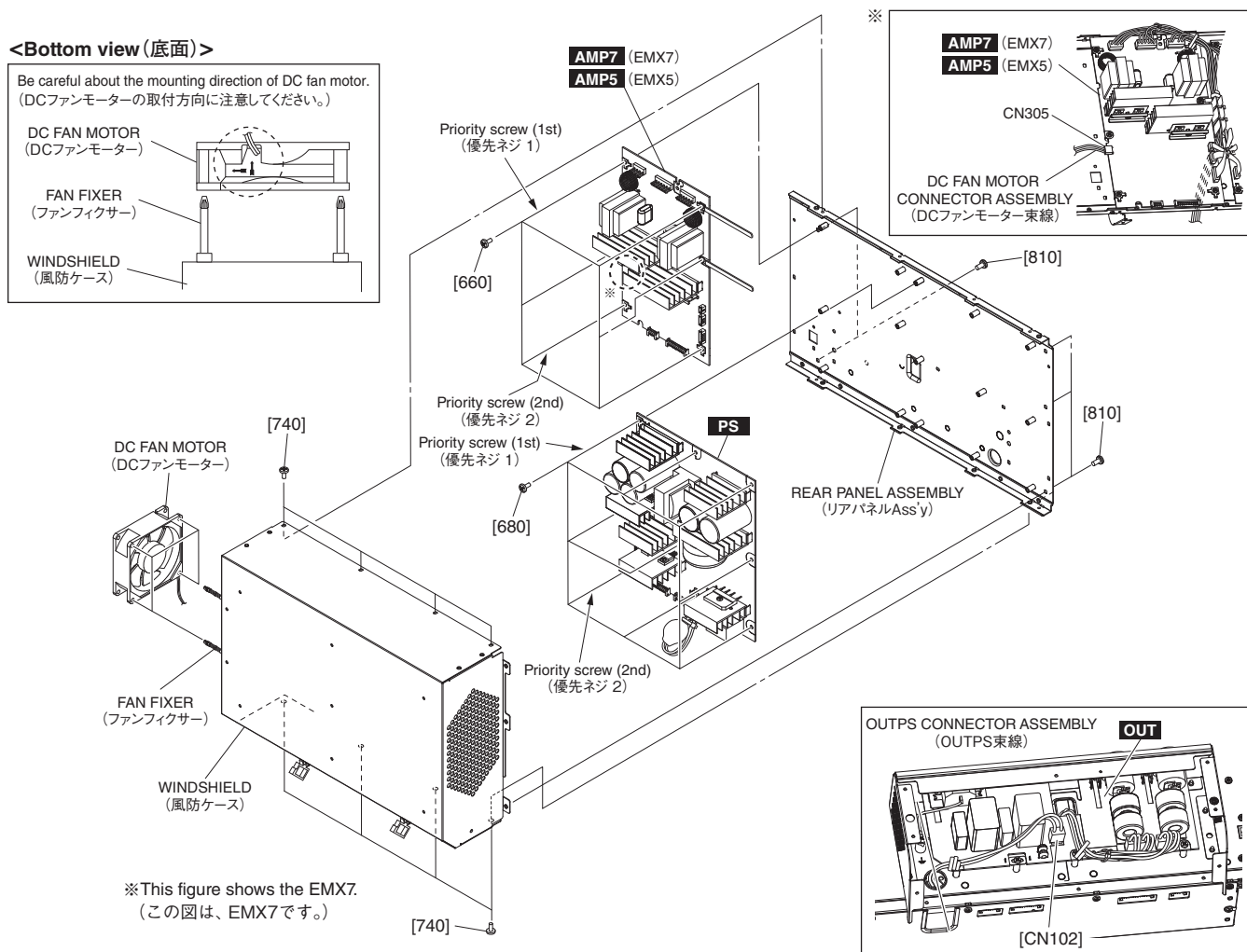


Fig. 5 (図5)

Disassembly of the Front panel section. (EMX7)

- * Before disassembly, remove the front panel section in advance.
 (See procedure 5 on page 13.)

12. DMP Circuit Board

(Time required: About 9 minutes)

- 12-1 Remove the four (4) screws marked [220]. The DMP circuit board can then be removed. (Fig. 6)

- * After replacing the DMP circuit board, be sure to execute calibration. (Refer to page 75.)

13. Shield DMP (Time required: About 9 minutes)

- 13-1 Remove the DMP circuit board. (See procedure 12.)
 13-2 Remove the two (2) screws marked [170]. The shield DMP can then be removed. (Fig. 6)

- * When installing the shield DMP, make sure insert the hooks (4 places) into the elongate hole of MIX7 circuit board. Also hang the hooks (2 places) on the bottom of MIX7 circuit board. (Fig. 6)

フロントパネル部の分解 (EMX7)

- ※ あらかじめフロントパネル部を外しておきます。
 (13ページの5項参照)

12. DMPシート (所要時間:約9分)

- 12-1 [220]のネジ4本を外して、DMPシートを外します。
 (図6)

- ※ DMPシートの交換後は、キャリブレーションを実施してください。(76ページ参照。)

13. シールドDMP (所要時間:約9分)

- 13-1 DMPシートを外します。(12項参照)
 13-2 [170]のネジ2本を外して、シールドDMPを外します。
 (図6)

- ※ シールドDMPを取り付ける際は、フック(4ヶ所)をMIX7シートの長穴に確実に挿入します。また、MIX7シートの下端にフック(2ヶ所)を引っ掛けます。(図6)

14. MIX7 Circuit Board

(Time required: About 28 minutes)

- 14-1 Remove the DMP circuit board. (See procedure 12.)
- 14-2 Remove the shield DMP. (See procedure 13.)
- 14-3 Remove the eighteen (18) screws marked [150], the four (4) screws marked [290], the eighteen (18) screws marked [300], the nine (9) nuts marked [A] and the nine (9) washers marked [B]. (Fig. 6)
- 14-4 Remove the below parts from the panel side. The MIX7 circuit board can then be removed. (Fig. 6)
- | | |
|--------------------------------------|---------|
| [480] : KNOB VR SMALL (GREEN/BLACK) | 24 pcs. |
| [490] : KNOB VR SMALL (BLUE/BLACK) | 9 pcs. |
| [500] : KNOB VR SMALL (WHITE/BLACK) | 9 pcs. |
| [510] : KNOB VR SMALL (YELLOW/BLACK) | 4 pcs. |
| [520] : KNOB LEVEL (WHITE/BLACK) | 9 pcs. |
| [530] : KNOB LEVEL (RED/BLACK) | 1 pc. |
| [540] : KNOB LEVEL (BLUE/BLACK) | 2 pcs. |
| [550] : ENCODER MG3 (BLACK) | 2 pcs. |
- * **The above parts are not components of the MIX7 circuit board. When replacing the MIX7 circuit board, remove the above parts from the MIX7 circuit board and install them to the new circuit board. (Fig. 6)**
- * **After replacing the MIX7 circuit board, be sure to execute calibration. (Refer to page 75.)**

15. LCD Circuit Board, Crystal Display

(Time required: About 28 minutes)

- 15-1 Remove the DMP circuit board. (See procedure 12.)
- 15-2 Remove the shield DMP. (See procedure 13.)
- 15-3 Remove the MIX7 circuit board. (See procedure 14.)
- 15-4 Remove the three (3) screws marked [70]. The LCD circuit board can then be removed together with the crystal display. (Fig. 6)
- 15-5 Remove the flat cable to remove the lock of CN102 of LCD circuit board. The crystal display can then be removed from the LCD circuit board.
- * **When installing the crystal display to LCD circuit board, use the new adhesive tape. (Fig. 6)**
- * **When installing the LCD circuit board, first tighten the priority screws in order as shown in Fig. 6.**

16. SW Circuit Board

(Time required: About 9 minutes)

- 16-1 Remove the two (2) screws marked [390]. The PS holder can then be removed together with the SW circuit board and PSW button. (Fig. 6)
- * **When installing the PS holder, first tighten the priority screw as shown in Fig. 6.**
- 16-2 Remove the PSW button and the two (2) screws marked [360]. The SW circuit board can then be removed from the PS holder. (Fig. 6)
- * **The PSW button and the PS holder are not parts of the SW circuit board. When replacing the SW circuit board, remove the PSW button and the PS holder from the SW circuit board and install them to the new circuit board. (Fig. 6)**
- * **When installing the SW circuit board, first tighten the priority screw as shown in Fig. 6.**

14. MIX7シート (所要時間:約28分)

- 14-1 DMPシートを外します。(12項参照)
- 14-2 シールドDMPを外します。(13項参照)
- 14-3 [150]のネジ18本と[290]のネジ4本、[300]のネジ18本と[A]のナット9個と[B]のワッシャー9個を外します。(図6)
- 14-4 パネル面から下記の部品を外して、MIX7シートを外します。(図6)
- | | |
|----------------------|-----|
| [480] : ノブVR小(緑/黒) | 24個 |
| [490] : ノブVR小(青/黒) | 9個 |
| [500] : ノブVR小(白/黒) | 9個 |
| [510] : ノブVR小(黄/黒) | 4個 |
| [520] : ノブLEVEL(白/黒) | 9個 |
| [530] : ノブLEVEL(赤/黒) | 1個 |
| [540] : ノブLEVEL(青/黒) | 2個 |
| [550] : エンコーダMG3(黒) | 2個 |
- ※ 上記の部品は、MIX7シートの構成部品ではありません。MIX7シートを交換する際は、MIX7シートから上記の部品を取り外して新しいシートに取り付けてください。(図6)
- ※ MIX7シートの交換後は、キャリブレーションを実施してください。(76ページ参照。)

15. LCDシート、LCDユニット (所要時間:約28分)

- 15-1 DMPシートを外します。(12項参照)
- 15-2 シールドDMPを外します。(13項参照)
- 15-3 MIX7シートを外します。(14項参照)
- 15-4 [70]のネジ3本を外して、LCDユニットと共にLCDシートを外します。(図6)
- 15-5 LCDシートのCN102のロックを外して、フラットケーブルを外し、LCDシートからLCDユニットを外します。(図6)
- ※ LCDシートにLCDユニットを取り付ける際は、新しい粘着テープを使用してください。(図6)
- ※ LCDシートを取り付ける際は、優先ネジを図6に示す順で締めてください。

16. SWシート (所要時間:約9分)

- 16-1 [390]のネジ2本を外して、SWシートとPSWノブと共にPSホルダーを外します。(図6)
- ※ PSホルダーを取り付ける際は、優先ネジを先に締めてください。(図6)
- 16-2 PSWノブと[360]のネジ2本を外して、PSホルダーからSWシートを外します。(図6)
- ※ PSWノブとPSホルダーは、SWシートの構成部品ではありません。SWシートを交換する際は、SWシートからPSWノブとPSホルダーを取り外して、新しいSWシートに取り付けてください。(図6)
- ※ SWシートを取り付ける際は、優先ネジを先に締めてください。(図6)

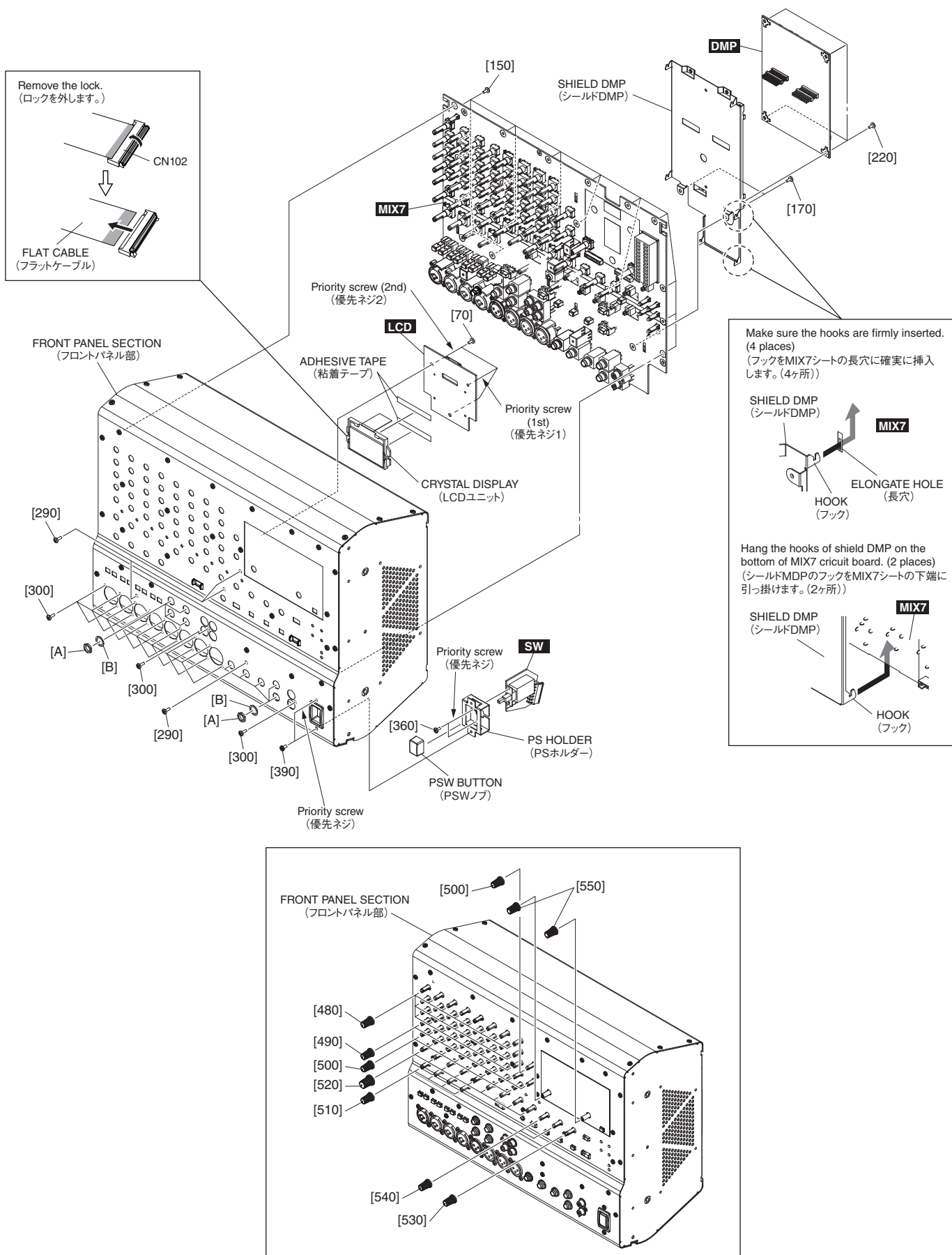


Fig. 6 (図6)

Disassembly of the Front panel section. (EMX5)

- * Before disassembly, remove the front panel section in advance.
(See procedure 5 on page 13.)

17. DMS Circuit Board

(Time required: About 9 minutes)

- 17-1 Remove the four (4) screws marked [220]. The DMS circuit board can then be removed. (Fig. 7)

- * After replacing the DMS circuit board, be sure to execute calibration. (Refer to page 75.)

18. Shield DMS (Time required: About 9 minutes)

- 18-1 Remove the DMS circuit board. (See procedure 17.)
18-2 Remove the two (2) screws marked [170]. The shield DMS can then be removed. (Fig. 7)

- * When installing the shield DMS, make sure insert the hooks (4 places) into the elongate hole of MIXS circuit board. (Fig. 7)

19. SUB Circuit Board

(Time required: About 9 minutes)

- 19-1 Remove the four (4) screws marked [220]. The SUB circuit board can then be removed. (Fig. 7)

20. MIXS Circuit Board

(Time required: About 28 minutes)

- 20-1 Remove the DMS circuit board. (See procedure 17.)
20-2 Remove the shield DMS. (See procedure 18.)
20-3 Remove the sixteen (16) screws marked [150], the eight (8) screws marked [290], the eighteen (18) screws marked [300], the nine (9) nuts marked [A] and the nine (9) washers marked [B]. (Fig. 7)
20-4 Remove the below parts from the panel side. The MIXS circuit board can then be removed. (Fig. 6)
- | | |
|--------------------------------------|---------|
| [480] : KNOB VR SMALL (GREEN/BLACK) | 25 pcs. |
| [490] : KNOB VR SMALL (BLUE/BLACK) | 9 pcs. |
| [500] : KNOB VR SMALL (WHITE/BLACK) | 9 pcs. |
| [510] : KNOB VR SMALL (YELLOW/BLACK) | 4 pcs. |
| [520] : KNOB LEVEL (WHITE/BLACK) | 9 pcs. |
| [530] : KNOB LEVEL (RED/BLACK) | 1 pc. |
| [540] : KNOB LEVEL (BLUE/BLACK) | 2 pcs. |
| [550] : ENCODER MG3 (BLACK) | 1 pc. |

- * The above parts are not components of the MIXS circuit board. When replacing the MIXS circuit board, remove the above parts from the MIXS circuit board and install them to the new circuit board. (Fig. 7)

- * After replacing the MIXS circuit board, be sure to execute calibration. (Refer to page 75.)

フロントパネル部の分解 (EMX5)

- ※ あらかじめフロントパネル部を外しておきます。
(13ページの5項参照)

17. DMSシート (所要時間:約9分)

- 17-1 [220]のネジ4本を外して、DMSシートを外します。
(図7)

- ※ DMSシートの交換後は、キャリブレーションを実施してください。(76ページ参照。)

18. シールドDMS (所要時間:約9分)

- 18-1 DMSシートを外します。(17項参照)
18-2 [170]のネジ2本を外して、シールドDMSを外します。
(図7)

- ※ シールドDMSを取り付ける際は、フック(4ヶ所)をMIXSシートの長穴に確実に挿入します。(図7)

19. SUBシート (所要時間:約9分)

- 19-1 [200]のネジ4本を外して、SUBシートを外します。
(図7)

20. MIXSシート (所要時間:約28分)

- 20-1 DMSシートを外します。(17項参照)
20-2 シールドDMSを外します。(18項参照)
20-3 [150]のネジ16本と[290]のネジ8本、[300]のネジ18本と[A]のナット9個と[B]のワッシャー9個を外します。
(図7)

- 20-4 パネル面から下記の部品を外して、MIXSシートを外します。(図7)

[480] : ノブVR小(緑/黒)	25個
[490] : ノブVR小(青/黒)	9個
[500] : ノブVR小(白/黒)	9個
[510] : ノブVR小(黄/黒)	4個
[520] : ノブLEVEL(白/黒)	9個
[530] : ノブLEVEL(赤/黒)	1個
[540] : ノブLEVEL(青/黒)	2個
[550] : エンコーダMG3(黒)	1個

- ※ 上記の部品は、MIXSシートの構成部品ではありません。MIXSシートを交換する際は、MIXSシートから上記の部品を取り外して新しいシートに取り付けてください。(図7)

- ※ MIXSシートの交換後は、キャリブレーションを実施してください。(76ページ参照。)

21. SW Circuit Board
(Time required: About 9 minutes)

21-1 Remove the two (2) screws marked [390]. The PS holder can then be removed together with the SW circuit board and PSW button. (Fig. 7)

* **When installing the PS holder, first tighten the priority screw as shown in Fig. 7.**

21-2 Remove the PSW button and the two (2) screws marked [360]. The SW circuit board can then be removed from the PS holder. (Fig. 7)

* **The PSW button and the PS holder are not parts of the SW circuit board. When replacing the SW circuit board, remove the PSW button and the PS holder from the SW circuit board and install them to the new circuit board. (Fig. 7)**

* **When installing the SW circuit board, first tighten the priority screw as shown in Fig. 7.**

21. SWシート (所要時間:約9分)

21-1 [390]のネジ2本を外して、SWシートとPSWノブと共にPSホルダーを外します。(図7)

※ PSホルダーを取り付ける際は、優先ネジを先に締めてください。(図7)

21-2 PSWノブと[360]のネジ2本を外して、PSホルダーからSWシートを外します。(図7)

※ PSWノブとPSホルダーは、SWシートの構成部品ではありません。SWシートを交換する際は、SWシートからPSWノブとPSホルダーを取り外して、新しいSWシートに取り付けてください。(図7)

※ SWシートを取り付ける際は、優先ネジを先に締めてください。(図7)

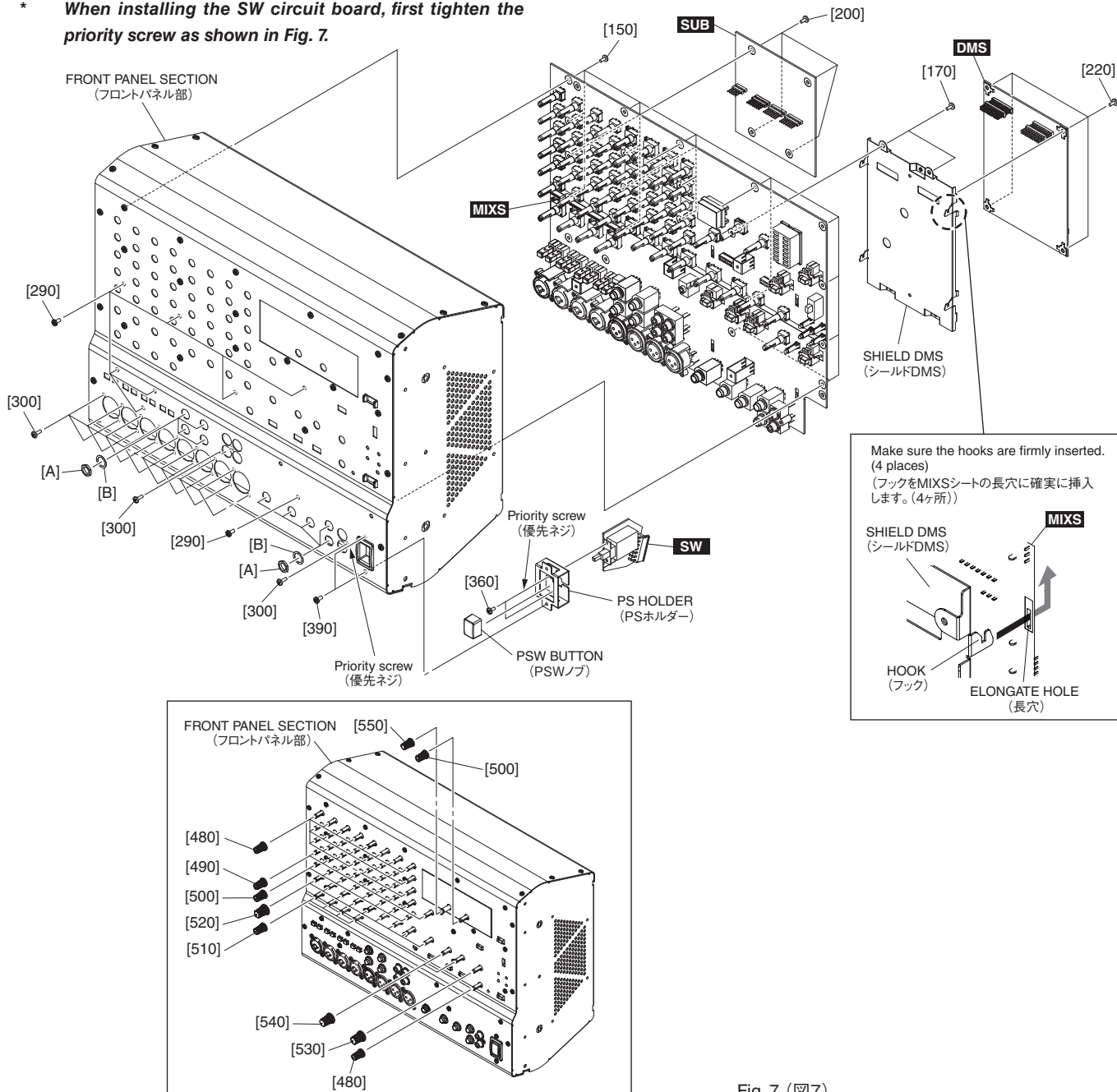


Fig. 7 (図7)

LSI PIN DESCRIPTION (LSI 端子機能表)

AK4385ET (X6040A01) DAC (Digital to Analog Converter)	24
AK5386VT (YD303A00) ADC (Analog to Digital Converter)	24
BU6945K-E2 (X9788A00) SSP0	24
LPC1820FBD144/3DE (YF570B00) MCU (Microcontroller Unit)	23
PCM1780DBQR (X7356A01) DAC (Digital to Analog Converter)	25
PCM1803DBR (X7357A00) ADC (Analog to Digital Converter)	25
PCM1803ADBR (X7357B00) ADC (Analog to Digital Converter)	25
YDA177-VZ (YF978A00) D-AMP MODULATOR DP200	22
YSS952-QZE2A (YE441A00) DSP (SPR-2) (Digital Signal Processor)	25

● YDA177-VZ (YF978A00) D-AMP MODULATOR DP200

AMP7(EMX7): IC305
AMP5(EMX5): IC305

PIN NO.	NAME	I/O	FUNCTION	PIN NO.	NAME	I/O	FUNCTION
1	DVSS	-	Digital block power supply DVSS(-5V)	45	OFFTB	AI	(*1 connect to GNDB through a 0Ω resistor.) connect to VSSB through a 1μF capacitor. (Capacitor :No Mount)
2	XTALVSS	-	XTAL power supply DVSS(-5V)				
3	XO	O	XTAL output				
4	XI	Is	XTAL input	46	LFB	AI	B channel Loop Filter capacitor connection terminal
5	XTALGND	-	GND for XTAL	47	MUTEB_N	O	B channel driver IC mute control terminal
6	CLKINS	I	System clock for slave mode	48	OUTB	O	B channel PWM output terminal (Hi/Low by control for Hi-side signal)
7	FSSELA0	I	A channel carrier clock switching pin	49	OUTBX	O	B channel PWM output terminal (Hi/Low by control for LoW-side signal)
8	FSSELA1	I					
9	FSSSELB0	I	B channel carrier clock switching pin	50	VREF	AO	Analog intermediate voltage (AVSS/2)
10	FSSSELB1	I					
11	ADDRESS0	I	I2C slave address setting	51	MBMNT	AI	The final stage for the power supply (-200V) partial pressure signal
12	ADDRESS1	I			52	OUTAX	O
13	ZERODET	I	Zero crossing sensing function enable / disable setting	53	OUTA	O	A channel PWM output terminal (Hi/Low by control for Hi-side signal)
14	TEST	I	Test mode setting terminal (Internal specification)				
15	MSSEL	I	Device master / slave setting pin	54	MUTEA_N	O	A channel driver IC mute control terminal
16	DGND	-	Digital block power supply GND (0V)	55	LFA	AI	A channel Loop Filter capacitor connection terminal
17	CLKOUT	O	Clock output	56	OFFTA	AI	(*1 connect to GNDA through a 0Ω resistor.) connect to AVSSA through a 1μF capacitor. (Capacitor :No Mount)
18	CLKINB	I	Clock input for B channel				
19	DVSS	-	Digital block power supply P(-5V)	57	AGNDA	-	A channel Analog block power supply GND(0V)
20	DVSS	-					
21	SDA	Is/OD	I2C data	58	INMA	AI	A channel power amplifier input + terminal
22	SCL	Is	I2C clock	59	INPA	AI	A channel power amplifier input - terminal
23	MUTEIA_N	AI	A channel mute external control terminal	60	AVSSA	-	A channel analog block power supply AVSS(-5V)
24	MUTEIB_N	AI	B channel mute external control terminal	61	VGND	-	A channel electronic volume connection terminal GND(0V)
25	PROTA_N	OD	A channel protection signal	62	VOUTA	AO	A channel electronic volume connection terminal
26	PROTB_N	OD	B channel protection signal	63	AINA	AI	A channel input terminal
27	CLIPA_N	OD	A channel clip sensing flag signal	64	AVDDA	-	A channel analog block power supply AVDD(+5V)
28	CLIPB_N	OD	B channel clip sensing flag signal	65	PBMNT	AI	The final stage for the power supply (+200V) partial pressure signal
29	IOVDD33	-	External I2C host device power sensing P (3.3V)	66	IINTA	AI	A channel Integral capacity for current monitor
30	CURLB	AI	B channel Low-side OCP sensing signal	67	VINTA	AI	A channel Integral capacity connection for voltage monitor
31	CURHB	AI	B channel Hi-side OCP sensing signal	68	ISENSEA	AI	A channel output current sensing pin
32	AMPTEMPB	AI	B channel heatsink temperature sensing terminal (thermistor)	69	VSENSEB	AI	A channel output voltage sensing pin
33	VSENSEB	AI	B channel output voltage sensing pin	70	AMPENBL	I	Start up timer terminal
34	ISENSEB	AI	B channel output current sensing pin	71	AMPTEMPA	AI	A channel heatsink temperature sensing terminal (thermistor)
35	VINTB	AI	B channel Integral capacity connection for voltage monitor	72	CURHA	AI	A channel Hi-side OCP sensing signal
36	IINTB	AI	B channel Integral capacity connection for current monitor	73	CURLA	AI	A channel Low-side OCP sensing signal
37	AVDDB	-	B channel Analog block power supply AVDD(+5V)	74	PSTEMP	AI	Primary power source temperature (POSISTOR signal)
38	AINB	AI	B channel input terminal	75	VOLA	AI	A channel volume terminal
39	VOUTB	AO	B channel electronic volume output terminal	76	VOLB	AI	B channel volume terminal
40	VGNDB	-	power supply for B channel electronic volume GND(0V)	77	DGND	-	Digital block power supply GND(0V)
41	AVSSB	-	B channel analog block power supply AVSS(-5V)	78	RECOV	I	Automatic return function enable / disable setting
42	INPB	AI	B channel power amplifier input + terminal	79	PLENBL	I	POWER LIMIT function enable / disable setting
43	INMB	AI	B channel power amplifier input - terminal	80	PARAMSET	I	Parameter input switching pin
44	AGNDB	-	B channel analog block power supply GND(0V)				

● LPC1820FBD144/3DE (YF570B00) MCU (Microcontroller Unit)

DMP(EMX7): IC601
DMS(EMX5): IC501

PIN NO.	NAME	I/O	FUNCTION	PIN NO.	NAME	I/O	FUNCTION
1	NMI	I	External interrupt input to NMI	71	VDDIO	-	I/O power supply
2	ADC0_1/(ADC1_1)	I	ADC input channel 1	72	MC0B1	O	Motor control PWM channel 1, output B
3	GPIO2[1]	I/O	General purpose digital input/output pin	73	(R)	-	Function reserved
4	VSSIO	-	Ground	74	GPIO3[0]	I/O	General purpose digital input/output pin
5	VDDIO	-	I/O power supply	75	U0_TXD	O	Transmitter output for USART0
6	(ADC0_0/ADC1_0)/DAC	I	ADC input channel 0	76	VSSIO	-	Ground
7	GPIO2[3]	I/O	General purpose digital input/output pin	77	VDDIO	-	I/O power supply
8	GPIO2[2]	I/O		78	GPIO3[1]	I/O	General purpose digital input/output pin
9	DAC	AO	DAC output	79	GPIO3[2]	I/O	
10	GPIO2[5]	I/O	General purpose digital input/output pin	80	GPIO3[3]	I/O	Receiver input for USART0
11	GPIO2[6]	I/O		81	U0_RXD	I	
12	XTAL1	I	Input to the oscillator circuit and internal clock generator circuits	82	GPIO3[4]	I/O	General purpose digital input/output pin
13	XTAL2	O	Output from the oscillator amplifier	83	GPIO0[5]	I/O	
14	GP_CLKIN	I	General-purpose clock input to the CGU	84	GPIO5[2]	I/O	General purpose digital input/output pin
15	GPIO5[12]	I/O	General purpose digital input/output pin	85	GPIO5[15]	I/O	
16	USB0_VDDA3V3_DRIVER	-	Separate analog 3.3 V power supply for driver	86	GPIO5[16]	I/O	I ² C1 data input/output
17	USB0_VDDA3V3	-	USB 3.3 V separate power supply voltage	87	I2C1_SDA	I/O	
18	USB0_DP	I/O	USB0 bidirectional D+ line	88	I2C1_SCL	I/O	Not connected
19	USB0_VSSA_TERM	-	Dedicated analog ground for clean reference for termination resistors	89	N.C.	-	
20	USB0_DM	I/O	USB0 bidirectional D- line	90	N.C.	-	General purpose digital input/output pin
21	USB0_VBUS	I/O	VBUS pin (power on USB cable)	91	GPIO5[5]	I/O	
22	USB0_ID	I	Indicates to the transceiver whether connected as an A-device (USB0_ID LOW) or B-device (USB0_ID HIGH)	92	I2C0_SCL	I/O	I ² C data input/output
23	USB0_VSSA_REF	-	Dedicated clean analog ground for generation of reference currents and voltages	93	I2C0_SDA	I/O	
24	USB0_RREF	-	12.0 kΩ (accuracy 1 %) on-board resistor to ground for current reference	94	VDDREG	-	General purpose digital input/output pin
25	VDDREG	-	Main regulator power supply	95	GPIO5[6]	I/O	
26	TDI	I	Test Data In for JTAG interface	96	GPIO0[7]: ISP	I/O	SDRAM clock 3
27	TCK/SWCLK	I	Test Clock for JTAG interface (default) or Serial Wire (SW) clock	97	GPIO3[5]	I/O	
28	DBGEN	I	JTAG interface control signal	98	GPIO5[7]: BOOT[2]	I/O	General purpose digital input/output pin
29	TRST	I	Test Reset for JTAG interface	99	(EMC_CLK3)	O	
30	TMS/SWDIO	I	Test Mode Select for JTAG interface (default) or SW debug data input/output	100	GPIO3[6]	I/O	General purpose digital input/output pin
31	TDO/SWO	O	Test Data Out for JTAG interface (default) or SW trace output	101	GPIO3[7]	I/O	
32	GPIO0[0]	I/O	General purpose digital input/output pin	102	GPIO1[10]: BOOT[3]	I/O	General purpose digital input/output pin
33	GPIO5[13]	I/O		103	GPIO2[8]	I/O	
34	GPIO0[1]	I/O	I/O power supply	104	GPIO0[14]	I/O	General purpose digital input/output pin
35	GPIO5[14]	I/O		105	GPIO1[11]	I/O	
36	VDDIO	-	I/O power supply	106	GPIO1[12]	I/O	General purpose digital input/output pin
37	MC0B2	O	Motor control PWM channel 2, output B	107	VDDIO	-	
38	SSP0_SSEL	I/O	Slave Select for SSP0	108	GPIO1[13]	I/O	General purpose digital input/output pin
39	GPIO2[10]	I/O	General purpose digital input/output pin	109	VSSIO	-	
40	VSSIO	-	Ground	110	GPIO3[8]	I/O	General purpose digital input/output pin
41	VDDIO	-	I/O power supply	111	VDDIO	-	
42	SSP0_MISO: BOOT[0]	I/O	Master In Slave Out for SSP0: Boot pin	112	SSP0_SCK	I/O	Serial clock for SSP0
43	SSP0_MOSI: BOOT[1]	I/O	Master Out Slave in for SSP0: Boot pin	113	GPIO3[9]	I/O	
44	GPIO0[10]	I/O	General purpose digital input/output pin	114	GPIO5[8]	I/O	General purpose digital input/output pin
45	SSP1_SCK	I/O	Serial clock for SSP1	115	GPIO3[10]	I/O	
46	GPIO2[11]	I/O	General purpose digital input/output pin	116	GPIO5[9]	I/O	Serial clock for SPIFI
47	SSP1_MOSI	I/O	Master Out Slave in for SSP1	117	GPIO3[11]	I/O	
48	SSP1_SSEL	I/O	Slave Select for SSP1	118	SPIFI_SCK	O	I/O lane 2 for SPIFI
49	GPIO1[9]	I/O	General purpose digital input/output pin	119	SPIFI_SIO3	I/O	
50	GPIO1[0]	I/O		120	TRACECLK	O	Input 0 in SPIFI quad mode; SPIFI output IO0
51	GPIO1[1]	I/O	General purpose digital input/output pin	121	SPIFI_SIO2	I/O	
52	GPIO1[2]	I/O		122	SPIFI_MISO	I/O	Input to the RTC 32 kHz ultra-low power oscillator circuit
53	GPIO1[3]	I/O	General purpose digital input/output pin	123	SPIFI_MOSI	I/O	
54	GPIO2[12]	I/O		124	SPIFI_CS	I/O	RTC power supply: 3.3 V on this pin supplies power to the RTC
55	GPIO1[4]	I/O	General purpose digital input/output pin	125	RTCX1	I	
56	GPIO1[5]	I/O		126	RTCX2	O	RTC controlled output
57	MC0B0	O	Motor control PWM channel 0, output B	127	VBAT	-	
58	GPIO2[14]	I/O	General purpose digital input/output pin	128	RESET	I	Main regulator power supply
59	VDDREG	-	Main regulator power supply	129	RTC_ALARM	O	
60	GPIO1[6]	I/O	General purpose digital input/output pin	130	WAKEUP0	I	Trace data, bit 1
61	GPIO1[7]	I/O		131	VDDREG	-	
62	GPIO0[2]	I/O	General purpose digital input/output pin	132	TRACEDATA[0]	O	Analog ground
63	GPIO2[15]	I/O		133	TRACEDATA[1]	O	
64	GPIO0[3]	I/O	General purpose digital input/output pin	134	TRACEDATA[2]	O	Analog power supply and ADC reference voltage
65	GPIO2[7]	I/O		135	VSSA	-	
66	GPIO0[12]	I/O	General purpose digital input/output pin	136	ADC0_7/(ADC1_7)	I	ADC input channel 3
67	GPIO0[13]	I/O		137	VDDA	-	
68	CLKOUT	O	Clock output pin	138	ADC0_4/(ADC1_4)	I	Trace data, bit 0
69	GPIO5[18]	I/O	General purpose digital input/output pin	139	ADC0_3/(ADC1_3)	I	
70	GPIO0[15]	I/O		140	TRACEDATA[3]	O	ADC input channel 6
				141	VDDIO	-	
				142	ADC0_6/(ADC1_6)	I	ADC input channel 5
				143	ADC0_2/(ADC1_2)	I	
				144	ADC0_5/(ADC1_5)	I	

DMP(EMX7): IC321, IC351, IC421
DMS(EMX5): IC341, IC371● **AK4385ET (X6040A01) DAC (Digital to Analog Converter)**

PIN NO.	NAME	I/O	FUNCTION	PIN NO.	NAME	I/O	FUNCTION
1	MCLK	I	Master Clock	9	AOUTR-	O	Rch Analog out(-)
2	BICK	I	Audio Serial Data Clock	10	AOUTR+	O	Rch Analog out(+)
3	SDTI	I	Audio Serial Date Input	11	AOUTL-	O	Lch Analog out(-)
4	LRCK	I	L/R Clock	12	AOUTL+	O	Lch Analog out(+)
5	PDN	I	Power Down mode	13	Vss	-	Ground
6	CSN	I	Chip Select	14	VDD	-	Power Supply
7	CCLK	I	Control Data Input	15	DZFR	O	Rch Data Zero Input Detect
8	CDTI	I	Control Data Input	16	DZFL	O	Lch Data Zero Input Detect

● **AK5386VT (YD303A00) ADC (Analog to Digital Converter)**DMP(EMX7): IC311, IC411
DMS(EMX5): IC321, IC331

PIN NO.	NAME	I/O	FUNCTION	PIN NO.	NAME	I/O	FUNCTION
1	AINR	I	Rch Analog Input Pin	11	MCLK	I	Master Clock Input Pin
2	AINL	I	Lch Analog Input Pin	12	SCLK	I/O	Audio Serial Data Clock Pin
3	CKS1	I	Mode Select 1 Pin				"L" Output in Master Mode at Power-down mode.
4	VCOM	O	Common Voltage Output Pin Bias voltage of ADC input.	13	PDN	I	Power Down & Reset Mode Pin
5	AGND	-	A-nalog Ground Pin				"H": Power up, "L": Power down & Reset
6	VA	-	Analog Power Supply Pin, +5V				The AK5386 must be reset once upon power-up.
7	VD	-	Digital Power Supply Pin, +3.3V	14	DIF	I	Audio Interface Format Pin
8	DGND	-	Digital Ground Pin				"H": 24bit I ² S Compatible, "L": 24bit MSB justified
9	SDTO	O	Audio Serial Data Clock Pin	15	CKS2	I	Mode Select 2 Pin
			"L" Output at Power-down mode.	16	CKS0	I	Mode Select 0 Pin
10	LRCK	I/O	Output Channel Clock Pin				"L" Output in Master Mode at Power-down mode.

● **BU6945K-E2 (X9788A00) SSP0**DMP(EMX7): IC261
DMS(EMX5): IC261

PIN NO.	NAME	I/O	FUNCTION	PIN NO.	NAME	I/O	FUNCTION
1	TYPE3	Ish*	Effect Type Select	17	RTEST2	Ish*	Test (for Supplier)
2	TYPE2	Ish*	Effect Type Select	18	RTEST1	Ish*	Test (for Supplier)
3	TYPE1	Ish*	Effect Type Select	19	RTEST0	Ish*	Test (for Supplier)
4	GND	-	Ground	20	GND	-	Ground
5	IOVDD	-	I/O Power Supply	21	IOVDD	-	I/O Power Supply
6	TYPE0	Ish*	Effect Type Select	22	PRST	Ish+*	Parameter Fixation Mode Setting (PRST: Hi)
7	EFSWN	Ish+*	Effect Switch (H ù L detect)	23	SDO	O	Audio Serial Data Output
8	LED	O	Effect ON/OFF Status (ON: Hi/OFF: Lo)	24	SDI	I	Audio Serial Data Input (L ch), Parameter Input (R ch)
9	FOOT	Ish+*	Effect Switch (L ù H detect)	25	WCLK	O	Word Clock Output
10	MUTE	O	Mute (MUTE ON: Hi/MUTE OFF: Lo)	26	BCLK	O	Bit Clock Output
11	THRU	Ish-*	Effect Through Setting (THRU: Hi)	27	SCLK	O	System Clock Output
12	GND	-	Ground	28	GND	-	Ground
13	YTEST	Ish*	Test (for Yamaha)	29	XI	I	Crystal Oscillator Input
14	TVAR	Ish-*	Effect Type Variation Select (TVAR: Hi)	30	XO	O	Crystal Oscillator Output
15	DVDD	-	Logic Core Power Supply Input	31	ICN	Ish*	Reset
16	REG18	O	Built-in Regulator Output	32	CKDIV	Ish+*	Input Clock Select (16.93MHz Input: Lo/33.87 MHz Input: Hi)

* Ish: Schmitt Trigger Input

Ish+: Schmitt Trigger Input with pull-up

Ish-: Schmitt Trigger Input with pull down

● **PCM1803DBR (X7357A00) ADC (Analog to Digital Converter)**

DMP(EMX7): IC221

● **PCM1803ADB (X7357B00) ADC (Analog to Digital Converter)**

DMS(EMX5): IC221

PIN NO.	NAME	I/O	FUNCTION	PIN NO.	NAME	I/O	FUNCTION
1	VINL	I	Analog input (L ch)	11	BCK	I/O	Audio data bit clock input/output
2	VINR	I	Analog input (R ch)	12	DOUT	O	Audio data digital output
3	VREF1	-	Reference-voltage-1 decoupling capacitor	13	DGND	-	Digital ground
4	VREF2	-	Reference-voltage-2 decoupling capacitor	14	V _{DD}	-	Digital power supply +3.3V
5	V _{CC}	-	Analog power supply +5V	15	SCKI	I	System clock input
6	AGND	-	Analog ground	16	OSR	I	Oversampling ratio select input
7	PDWN	I	Power-down control, active-low	17	FMT0	I	Audio data format select input 0
8	BYPAS	I	HPF bypass control	18	FMT1	I	Audio data format select input 1
9	TEST	I	Test, must be connected to DGND	19	MODE0	I	Mode select input 0
10	LRCK	I/O	Audio data latch enable input/output	20	MODE1	I	Mode select input 1

● **PCM1780DBQR (X7356A01) DAC (Digital to Analog Converter)**

DMP(EMX7): IC231

DMS(EMX5): IC231

PIN NO.	NAME	I/O	FUNCTION	PIN NO.	NAME	I/O	FUNCTION
1	ZEROL/NA	O	Zero flag output for L-channel / No assign	9	NC	-	No connection
2	MS	I	Mode control select input	10	NC	-	No connection
3	MC	I	Mode control clock input	11	VCC	-	Power supply, 5-V
4	MD	I	Mode control data input	12	AGND	-	Ground
5	SCK	I	System clock input	13	VCOM	-	Common voltage decoupling
6	DATA	I	Audio data digital input	14	VOU _{TR}	O	Analog output for R-channel
7	BCK	I	Audio data bit clock input	15	VOU _L	O	Analog output for L-channel
8	LRCK	I	Audio data left and right clock input	16	ZEROR/ZEROA	O	Zero flag output for R-channel / Zero flag output for L- and R-channels

● **YSS952-QZE2A (YE441A00) DSP (SPR-2) (Digital Signal Processor)**

DMP(EMX7): IC501, IC551

DMS(EMX5): IC401

PIN NO.	NAME	I/O	FUNCTION	PIN NO.	NAME	I/O	FUNCTION
1	GPIO5	I/O	General-purpose I/O pins	17	OPEN	-	Leave this pin open
2	GPIO4	I/O		18	DVSS	-	GND
3	GPIO3	I/O		19	IRQ_N	O	Interrupt request output pin to the host controller
4	DVSS	-	GND	20	DVDD18	-	Core power supply
5	GPIO2	I	General-purpose I/O pins	21	GPIO11	I/O	General-purpose I/O pins
6	GPIO1	I		22	TESTb	I	Test pin
7	GPIO0	I		23	DVSS	-	GND
8	PLLVD	-	PLL power supply	24	OPEN	-	Leave this pin open
9	IC_N	I	Hardware reset pin	25	DVSS	-	GND
10	PLLVSS	-	PLL GND	26	GPIO10	I/O	General-purpose I/O pins
11	PLLVSS	-		27	GPIO9	I/O	
12	XIN	I	Clock input pin	28	GPIO8	I/O	
13	XOUT	O	Clock output pin	29	IOVDD	-	Control interface power supply
14	IOVDD	-	Control interface power supply	30	GPIO7	I/O	General-purpose I/O pins
15	SCL	I	I ² C control bus clock input pin	31	DVDD18	-	Core power supply
16	SDA	I/O	I ² C control bus data I/O pin	32	GPIO6	I/O	General-purpose I/O pins

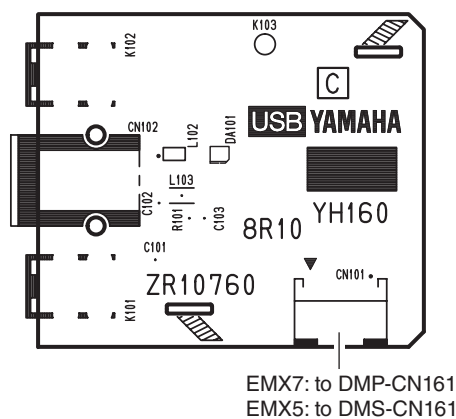
■ CIRCUIT BOARDS (シート基板図)

AMP7 Circuit Board (YG988C0) (EMX7)	40/41
AMP5 Circuit Board (YG988C0) (EMX5)	40/41
DMP Circuit Board (YH059C0) (EMX7)	28/29
DMS Circuit Board (YG987C0) (EMX5)	30/31
LCD Circuit Board (YH216B0) (EMX7)	45
MIX7 Circuit Board (YH162C0) (EMX7)	32/34
MIXS Circuit Board (YG949D0) (EMX5)	36/38
OUT Circuit Board (YH154C0)	27
SW Circuit Board (YH154C0)	45
PS Circuit Board (YG966F0)	42/44
SUB Circuit Board (YH218C0) (EMX5)	46
USB Circuit Board (YH160C0)	26

Note: See parts list for details of circuit board component parts.

注： シートの部品詳細はパーツリストをご参照ください。

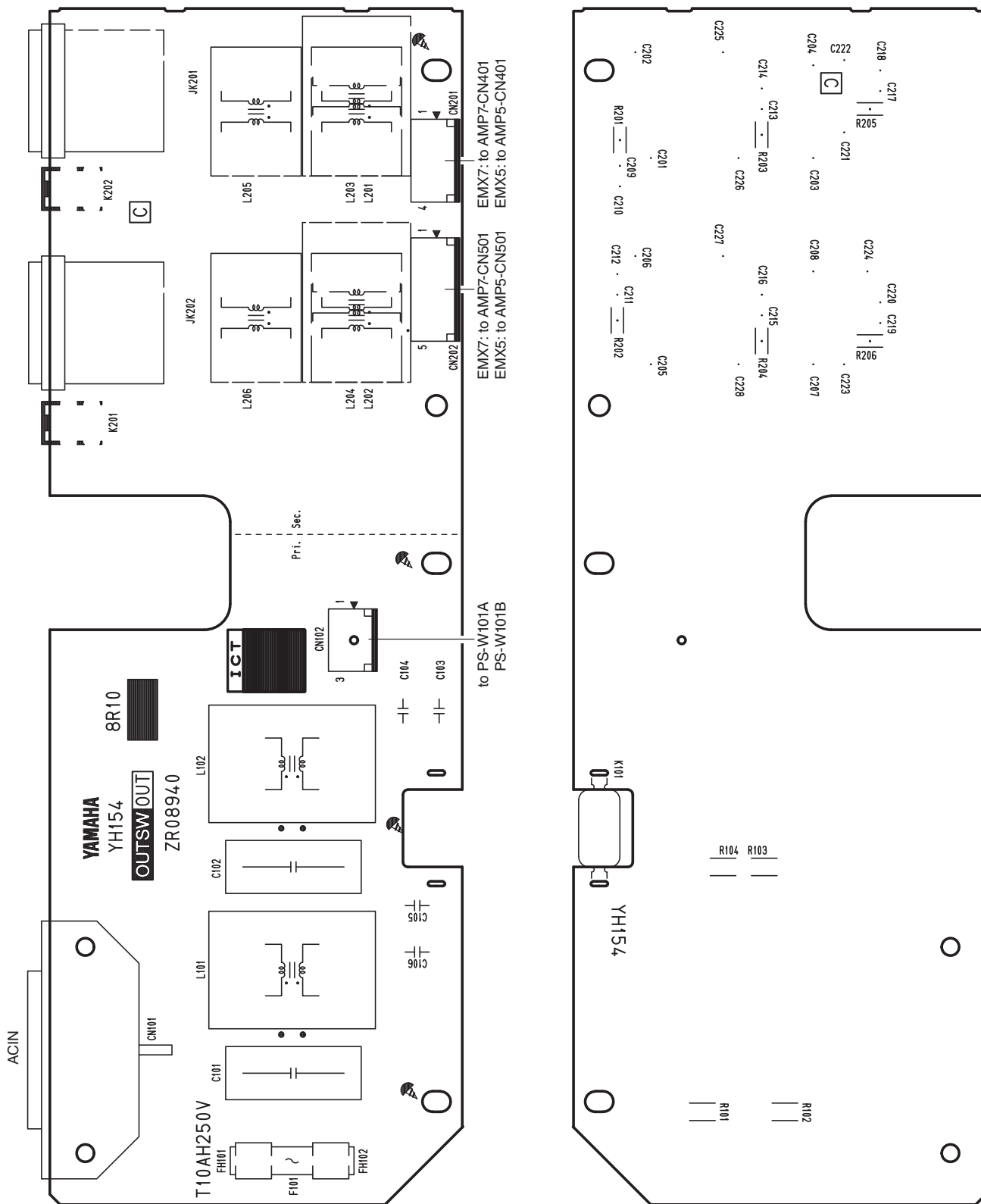
● USB Circuit Board



Component side (部品側)

Scale: 90/100

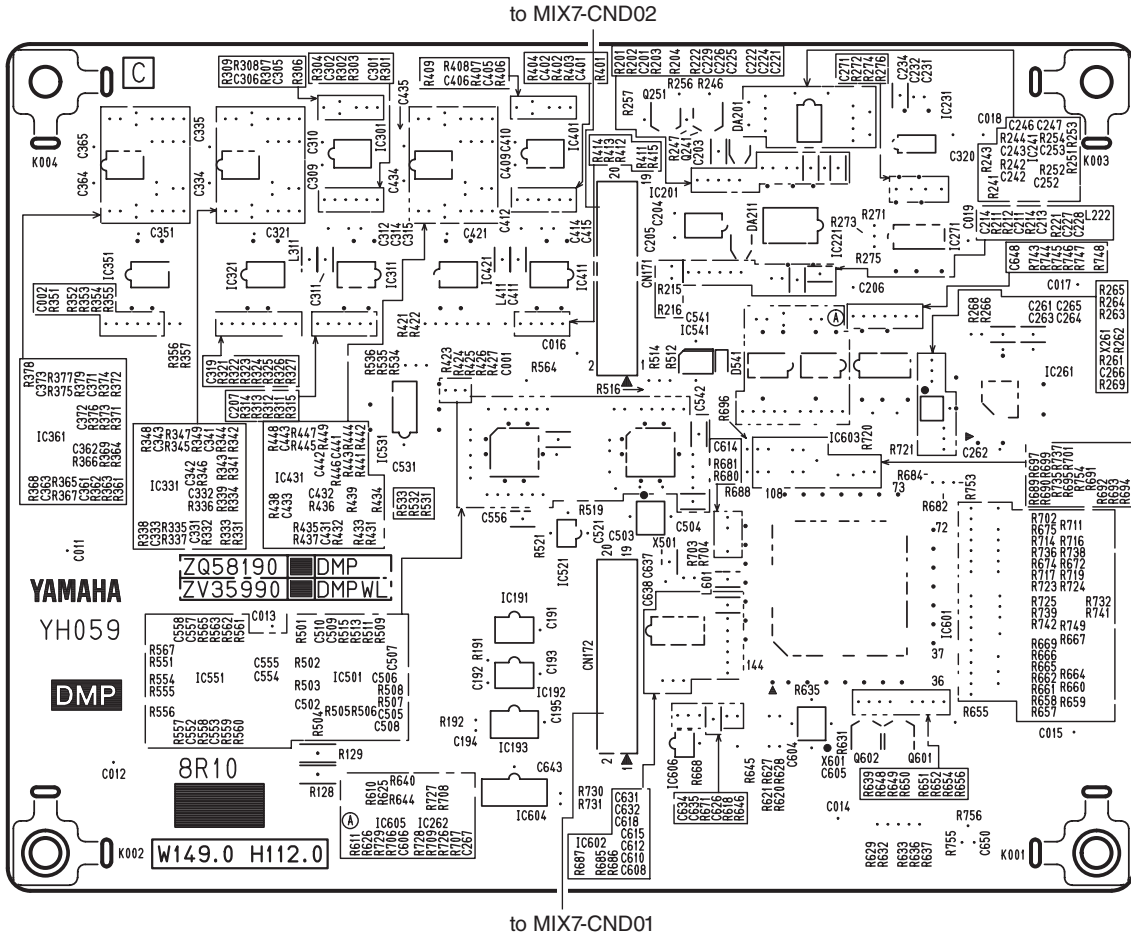
● OUT Circuit Board



Component side (部品側)

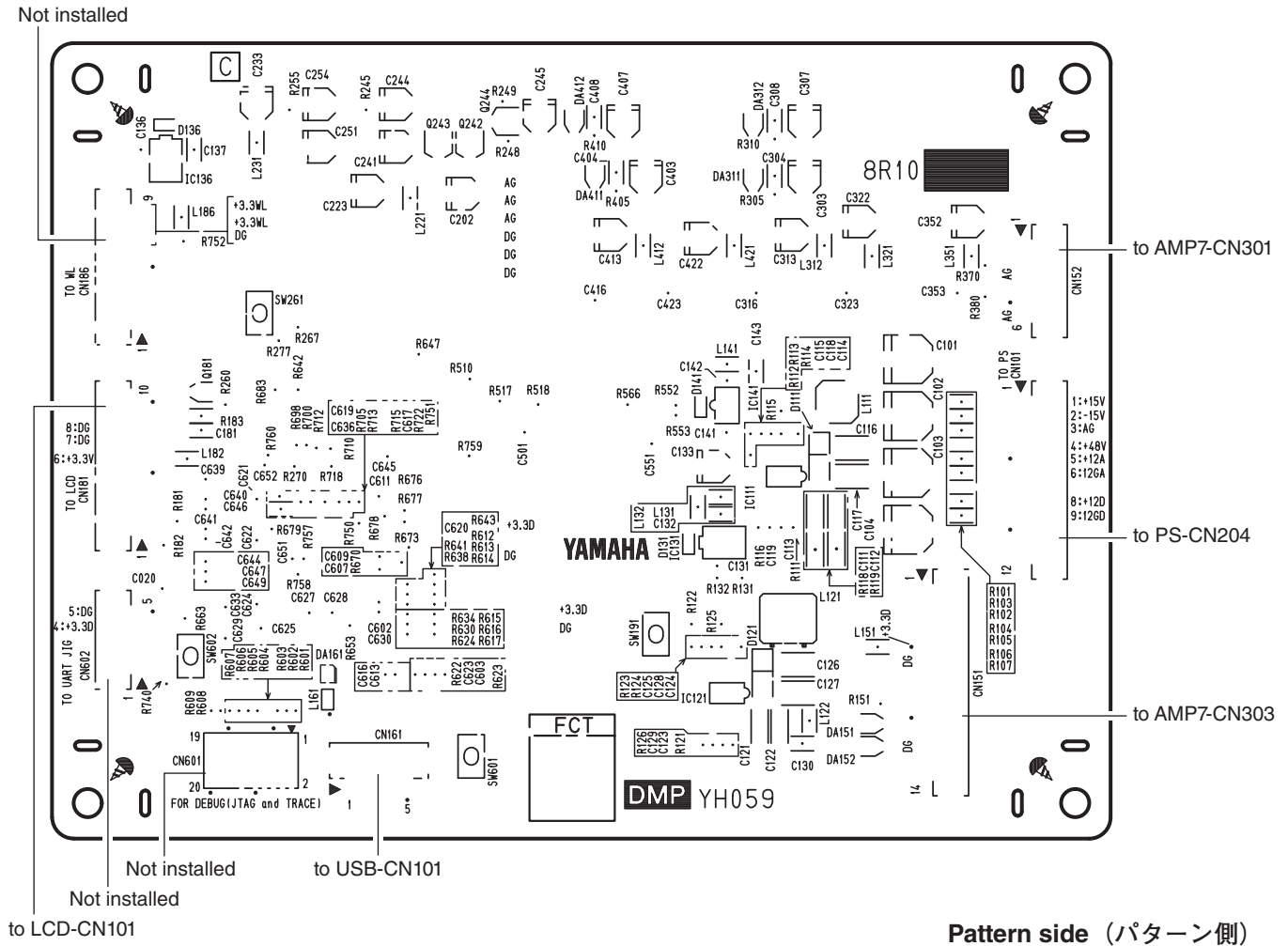
Pattern side (パターン側)

● DMP Circuit Board (EMX7)

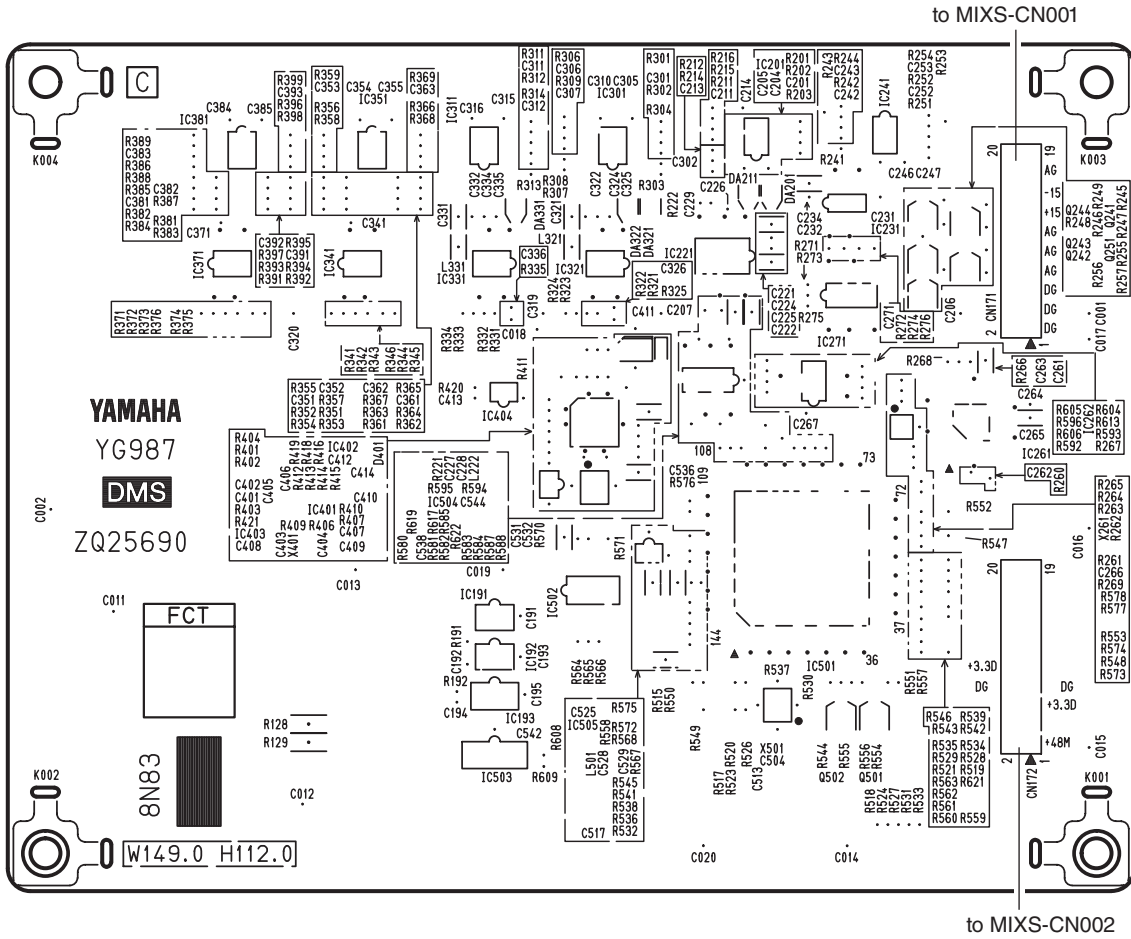


Component side (部品側)

● DMP Circuit Board (EMX7)

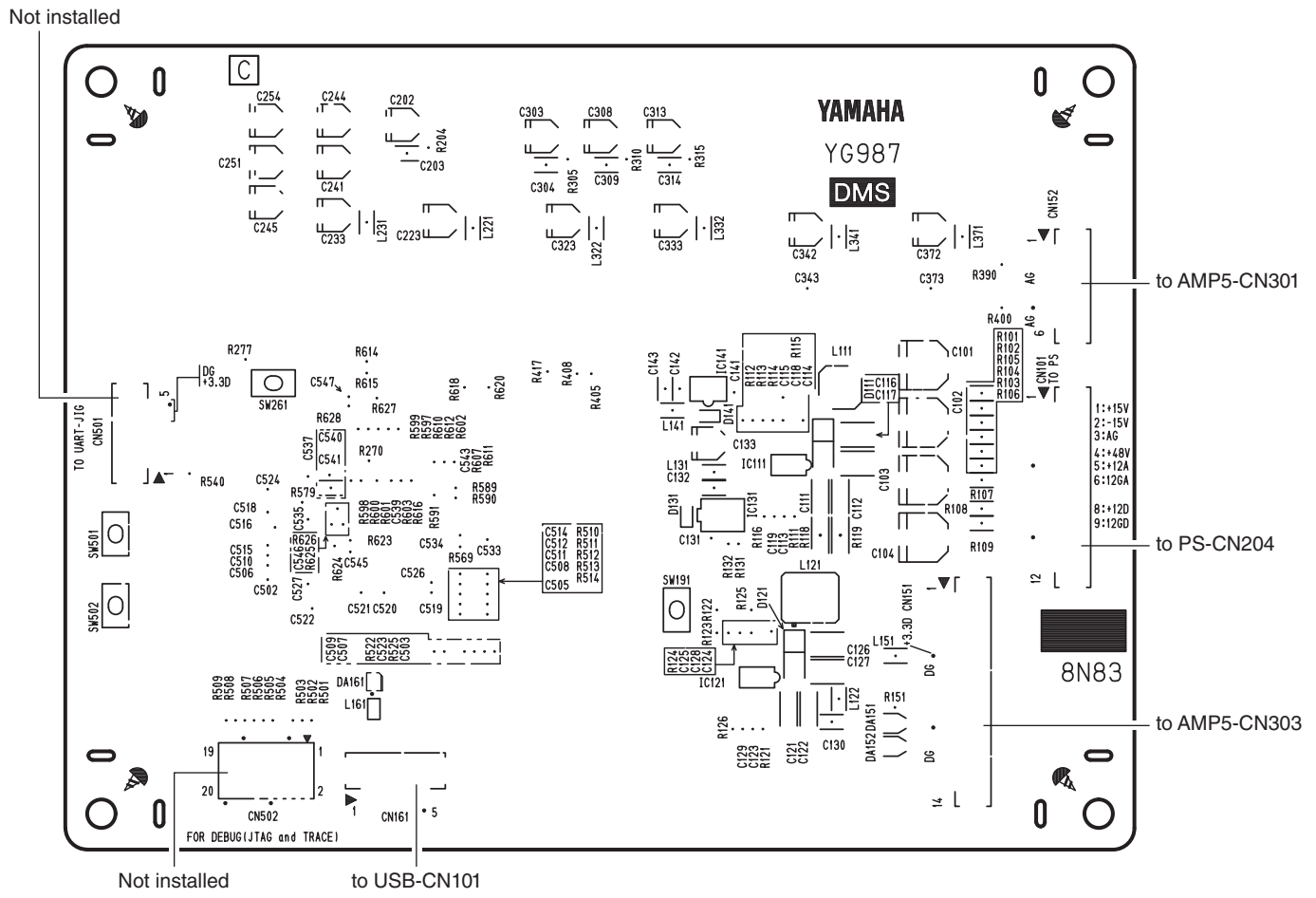


● DMS Circuit Board (EMX5)



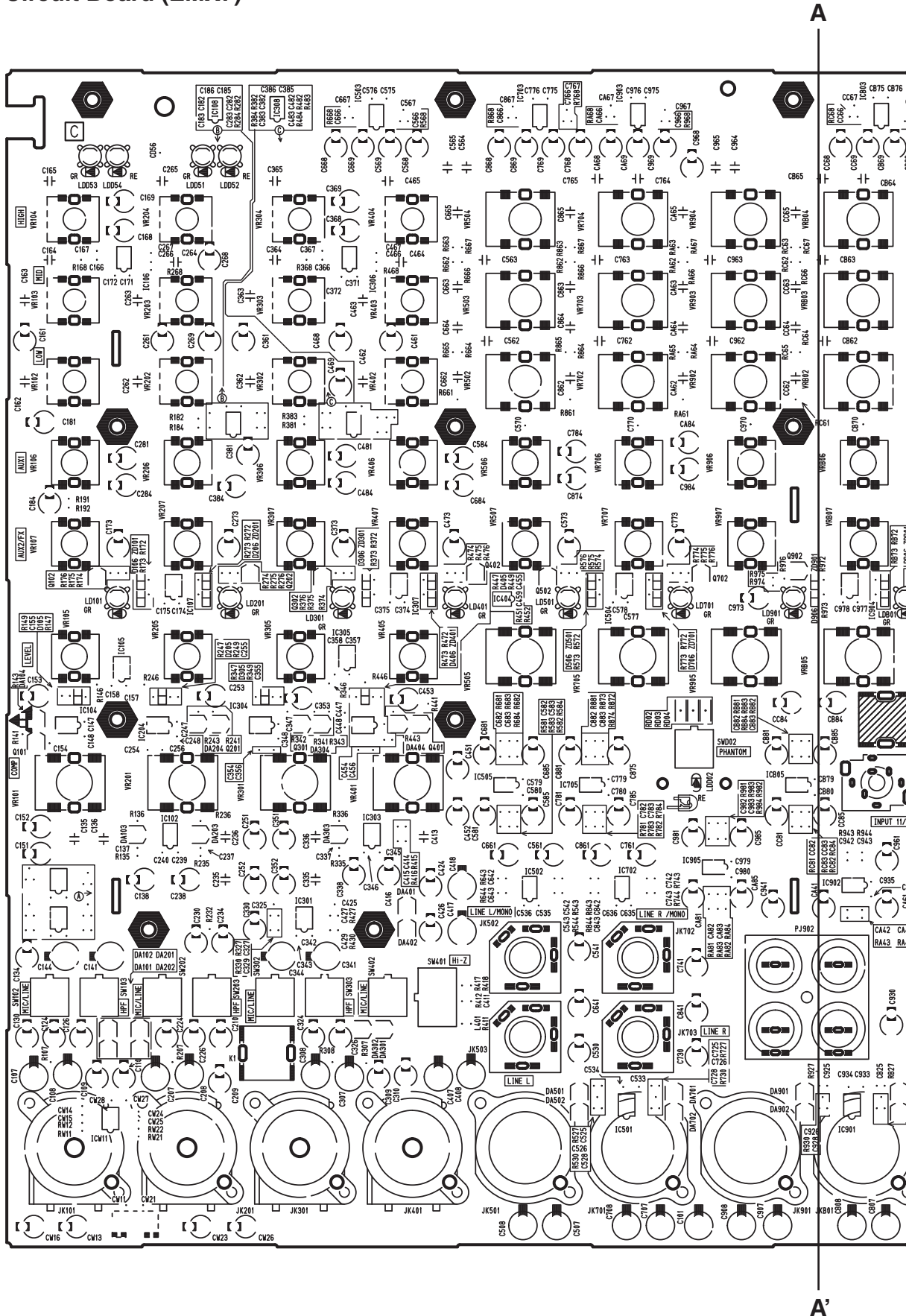
Component side (部品側)

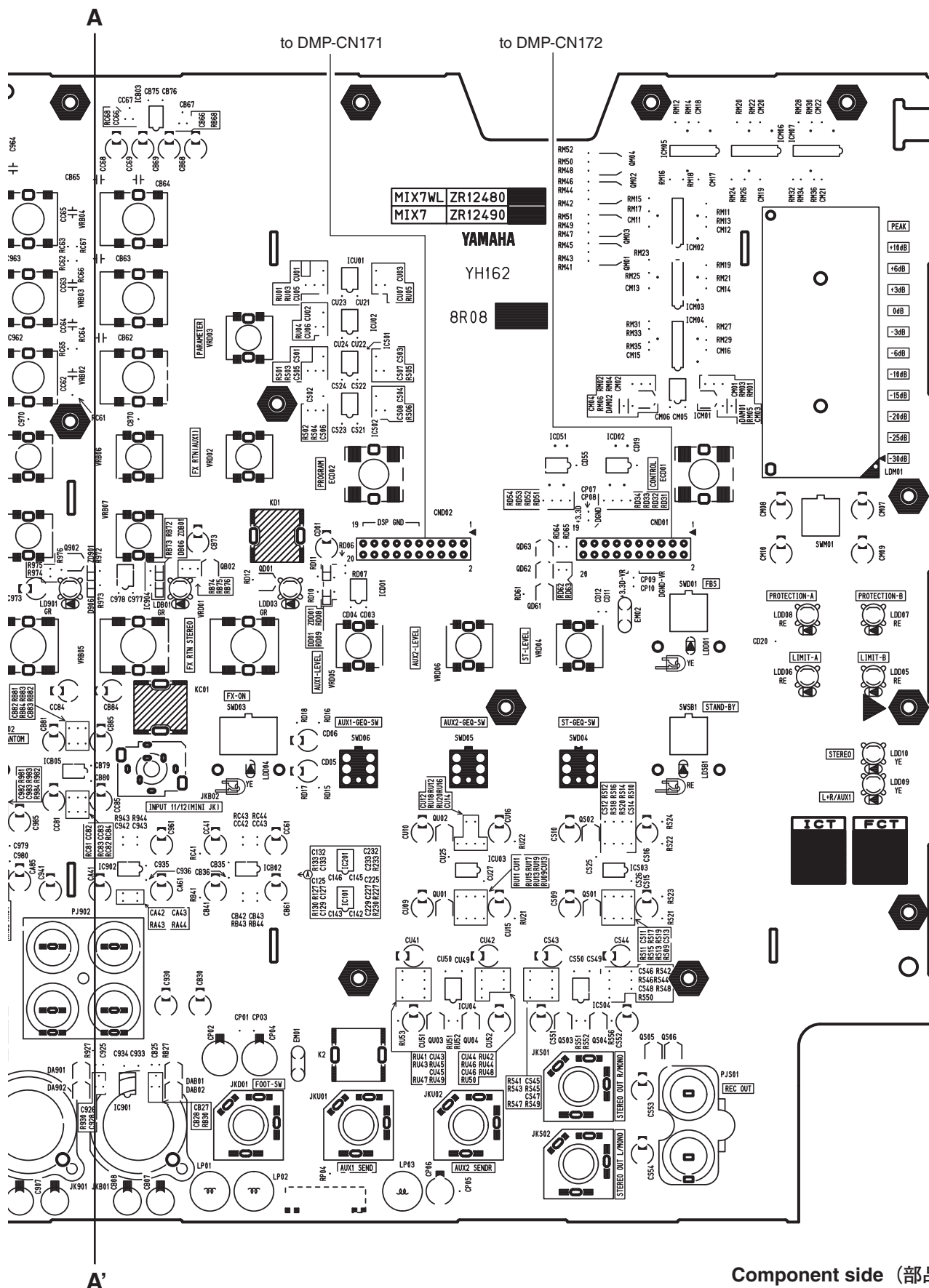
● DMS Circuit Board (EMX5)



Pattern side (パターン側)

• MIX7 Circuit Board (EMX7)

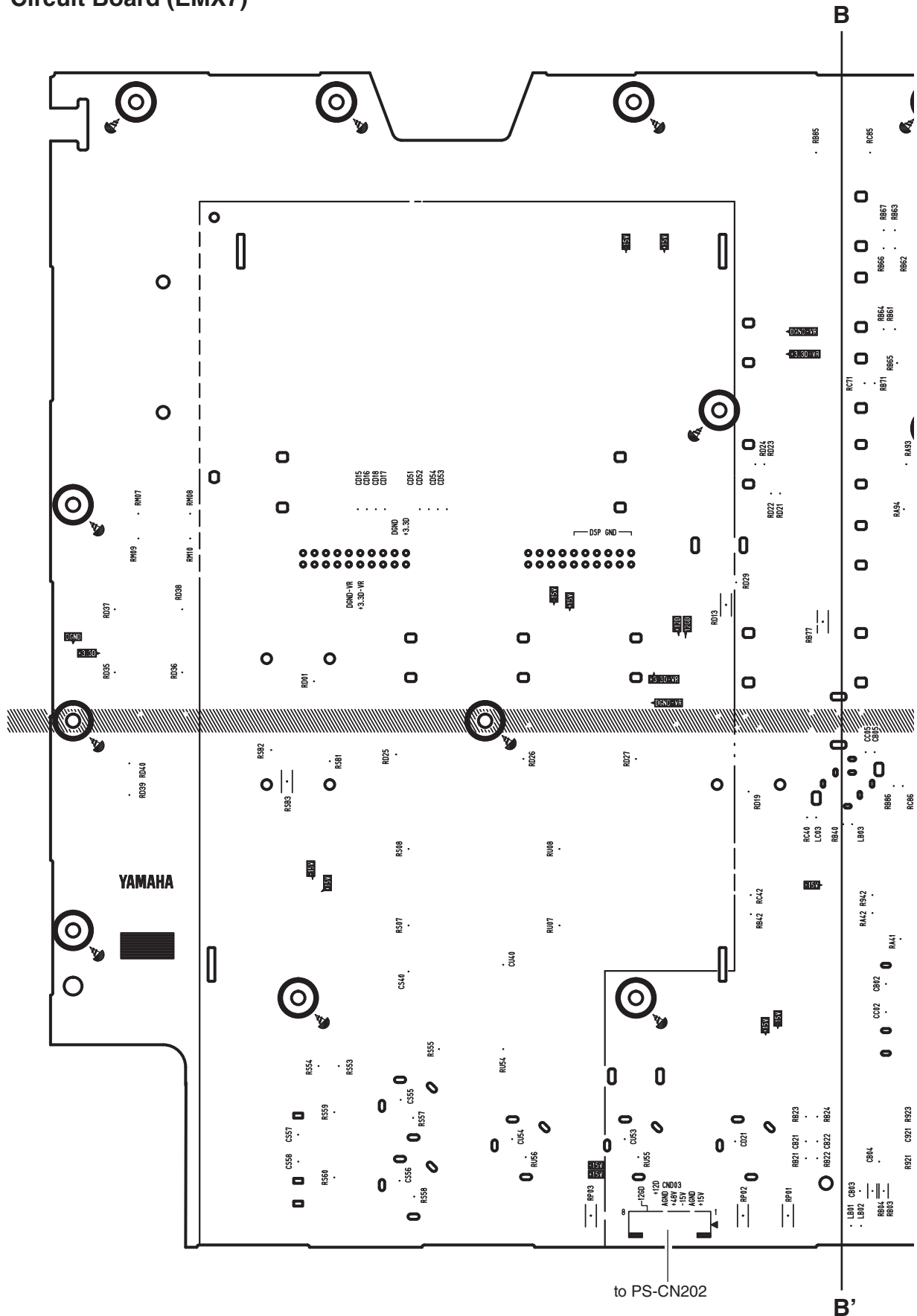


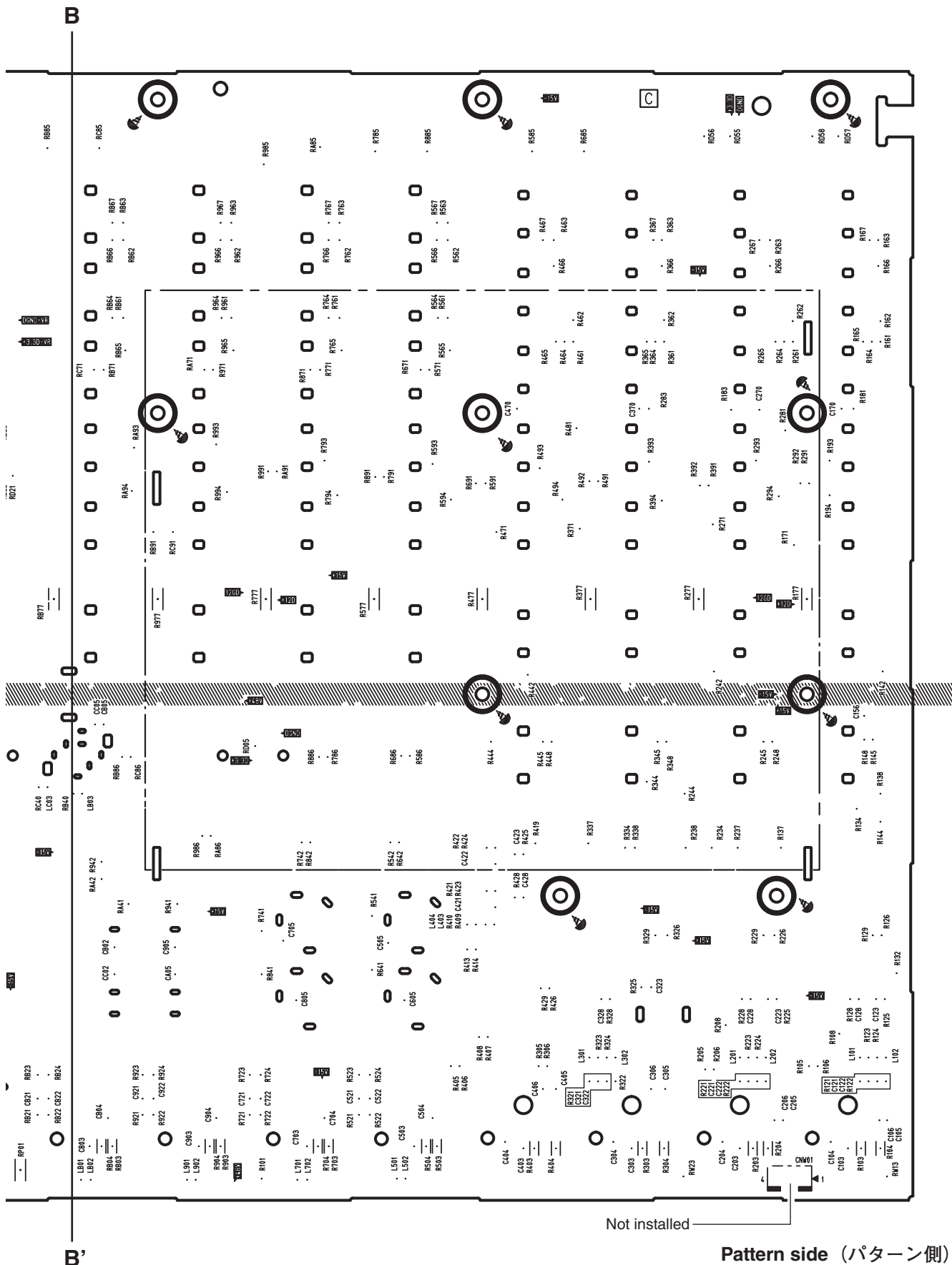


Component side (部品側)

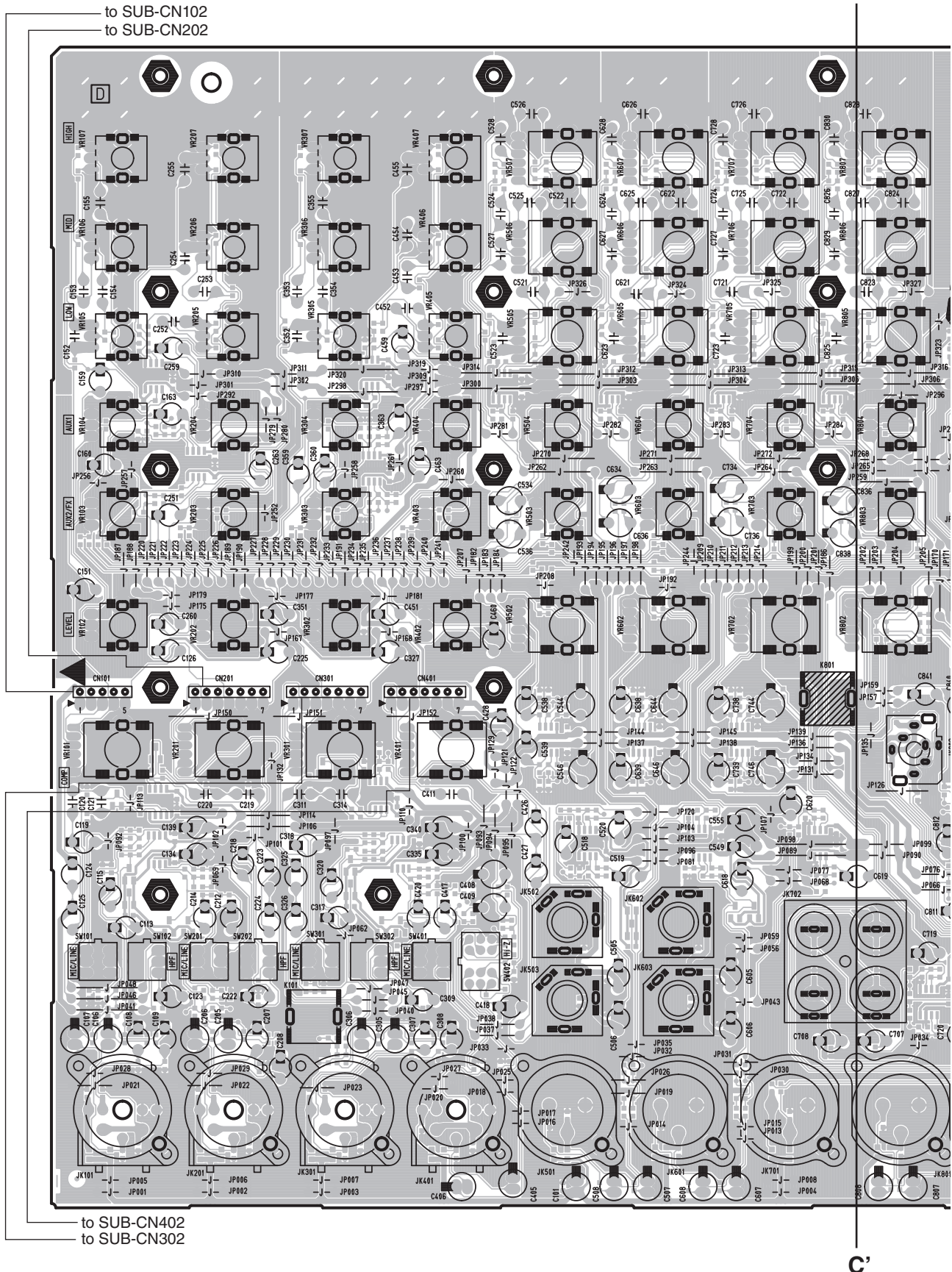
● MIX7 Circuit Board (EMX7)

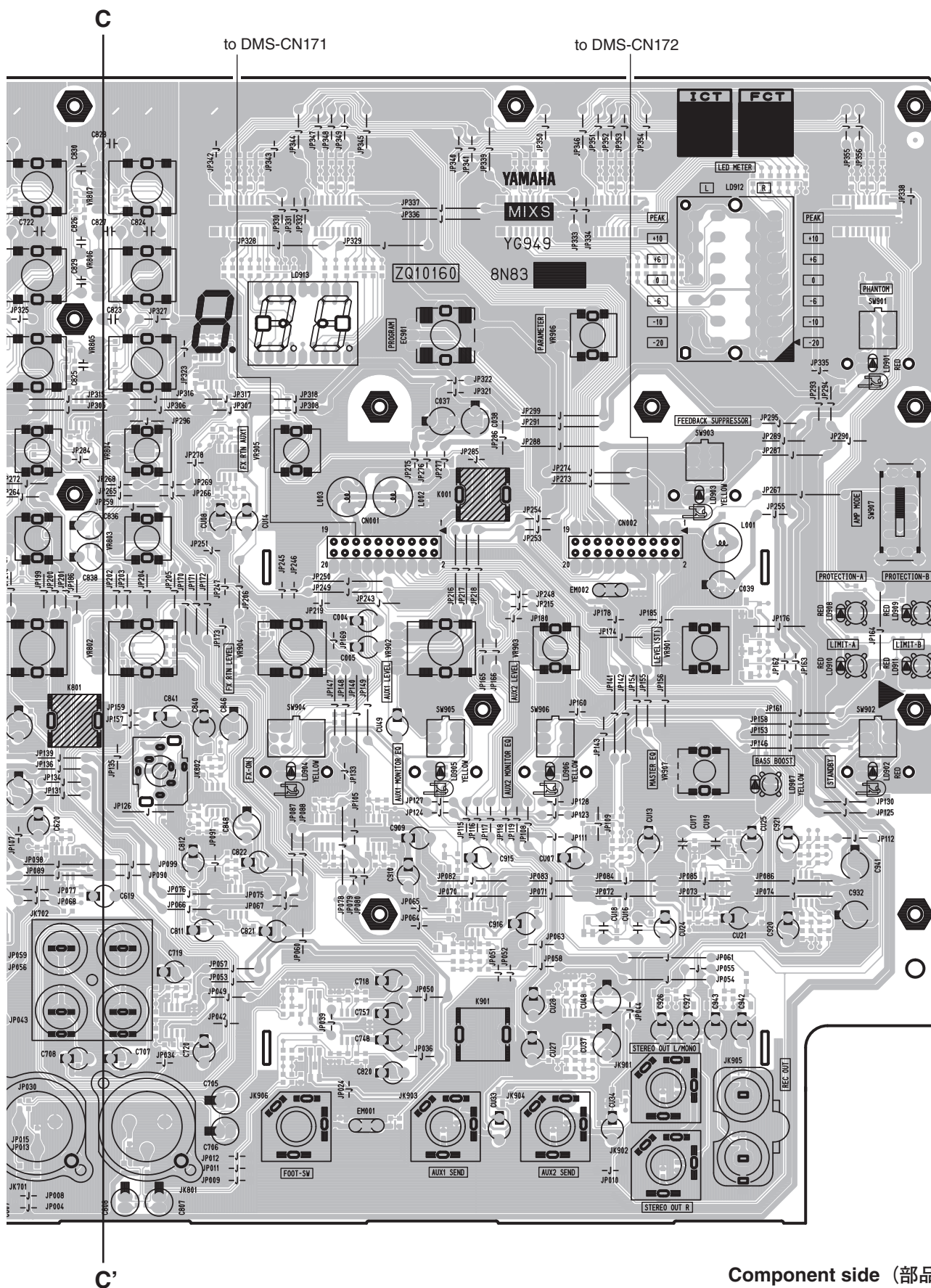
Scale: 80/100





• MIXS Circuit Board (EMX5)

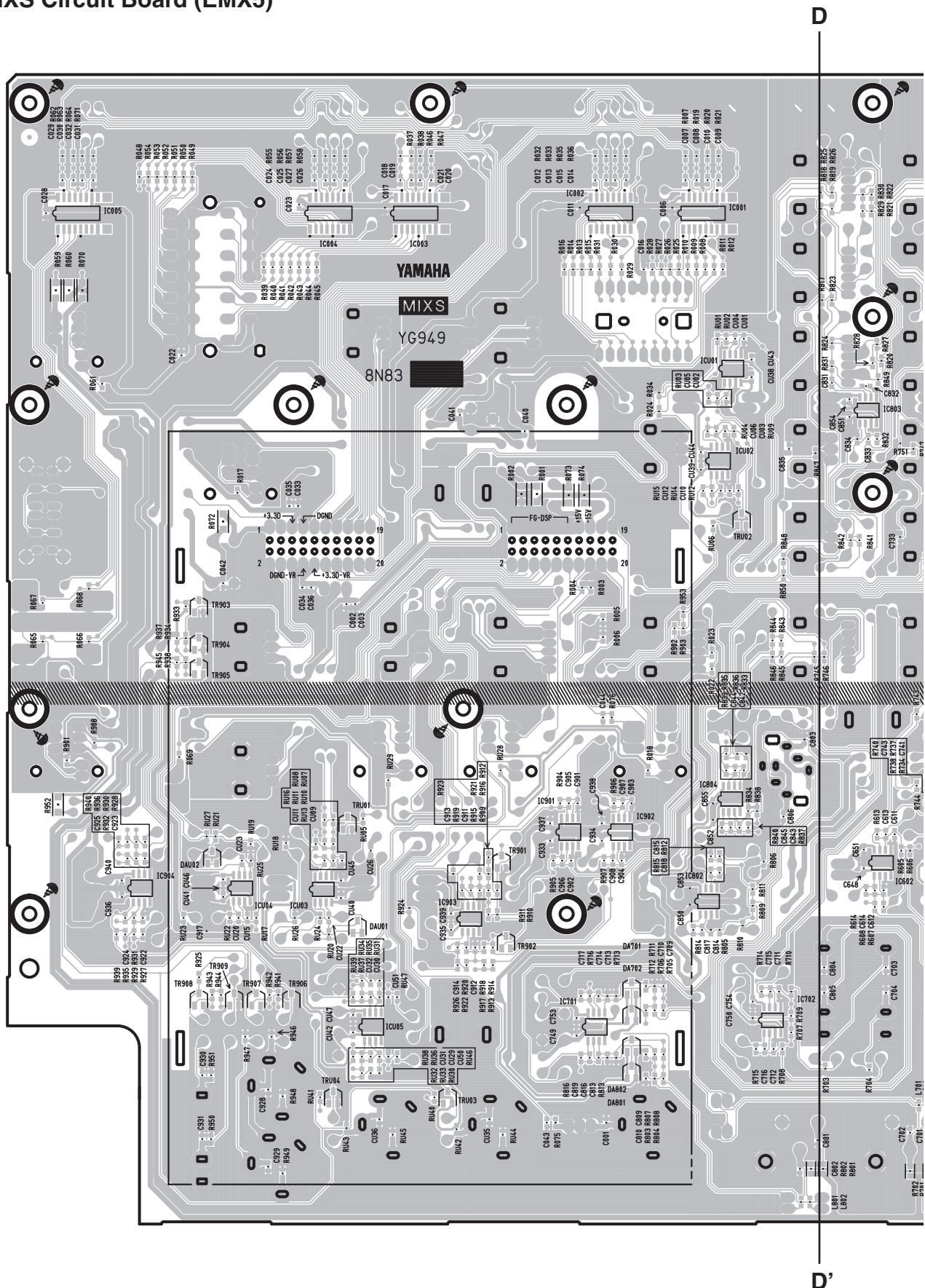


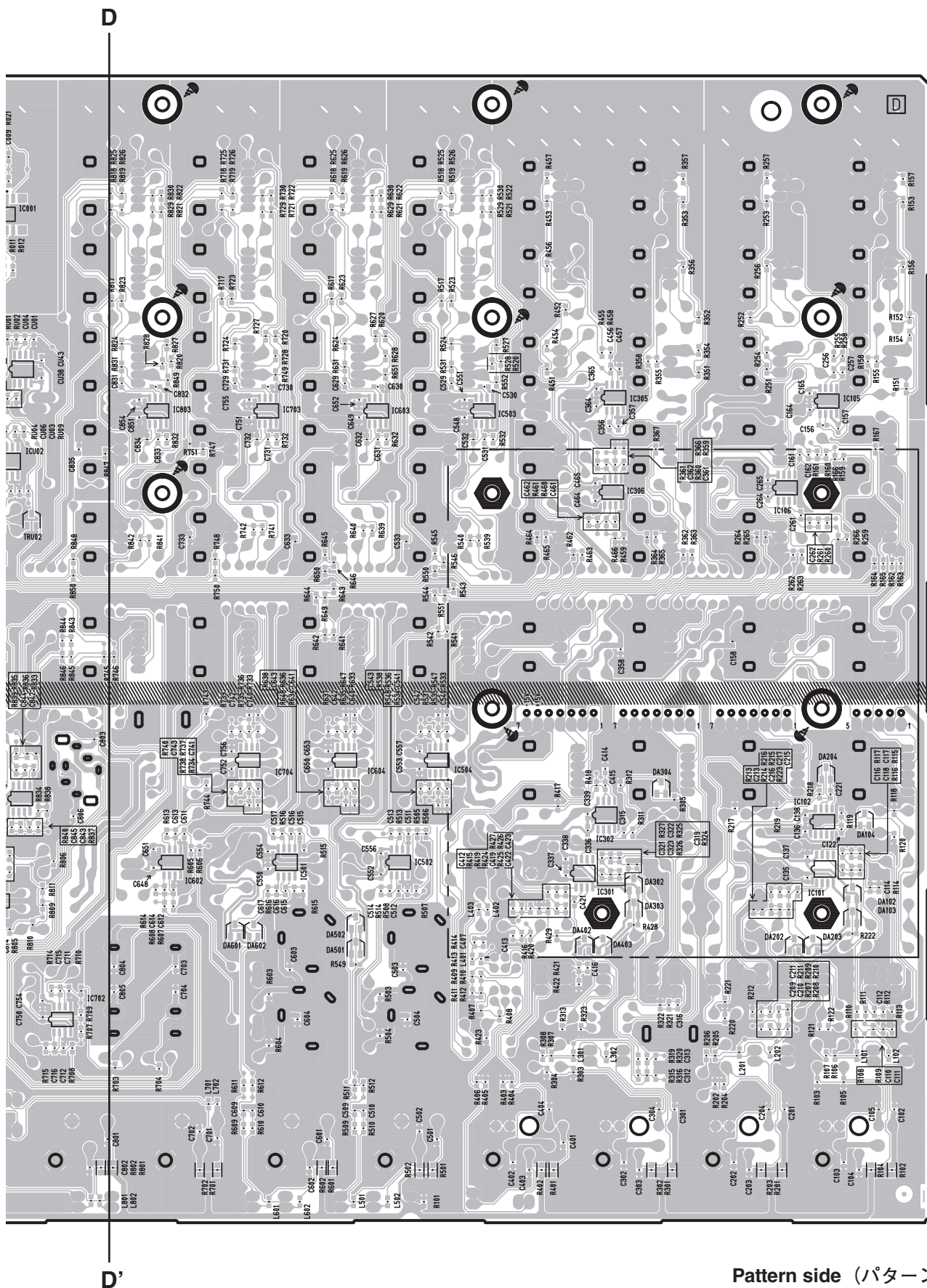


Component side (部品側)

● MIXS Circuit Board (EMX5)

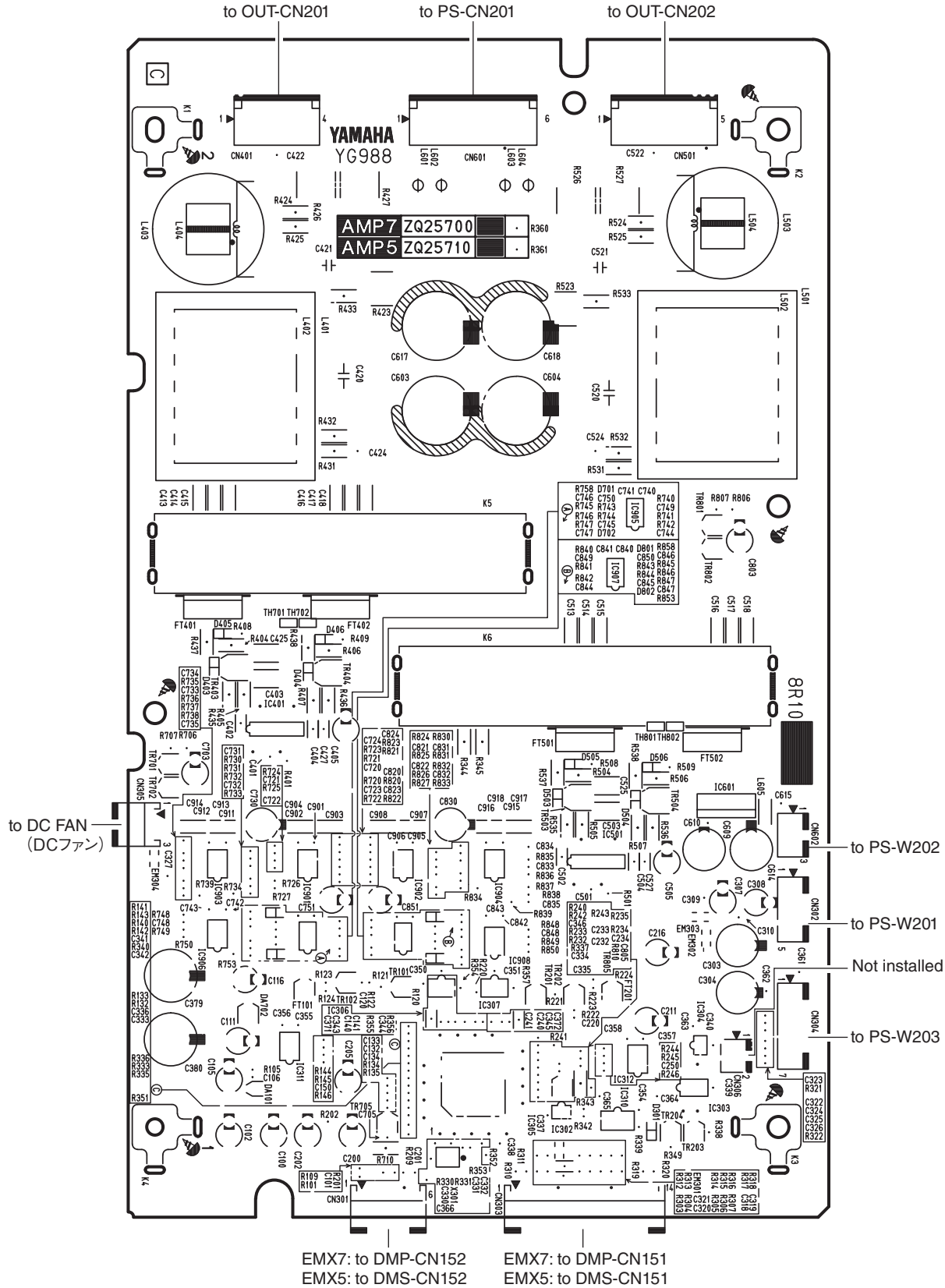
Scale: 80/100



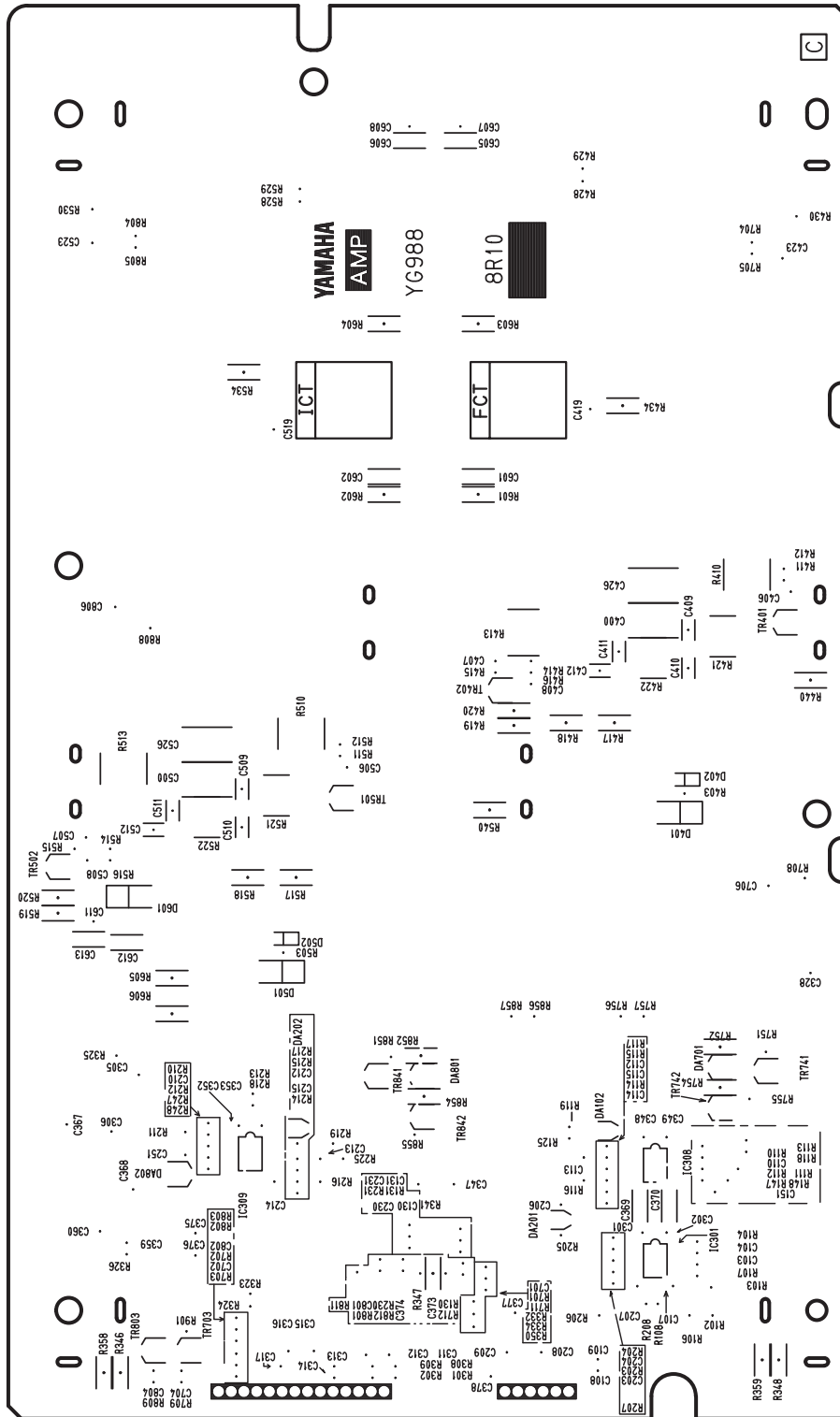


Pattern side (パターン側)

- AMP7 Circuit Board (EMX7)
- AMP5 Circuit Board (EMX5)

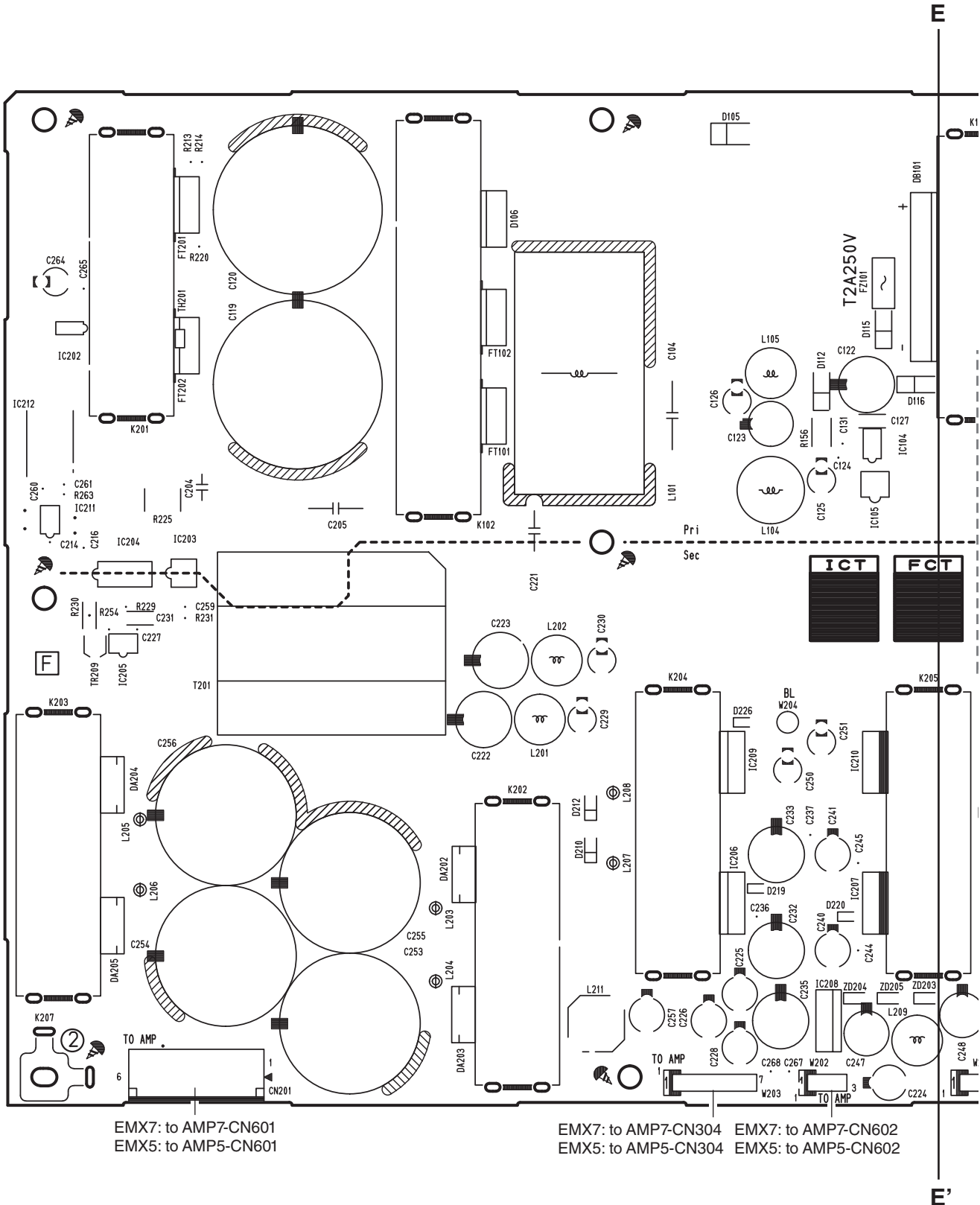


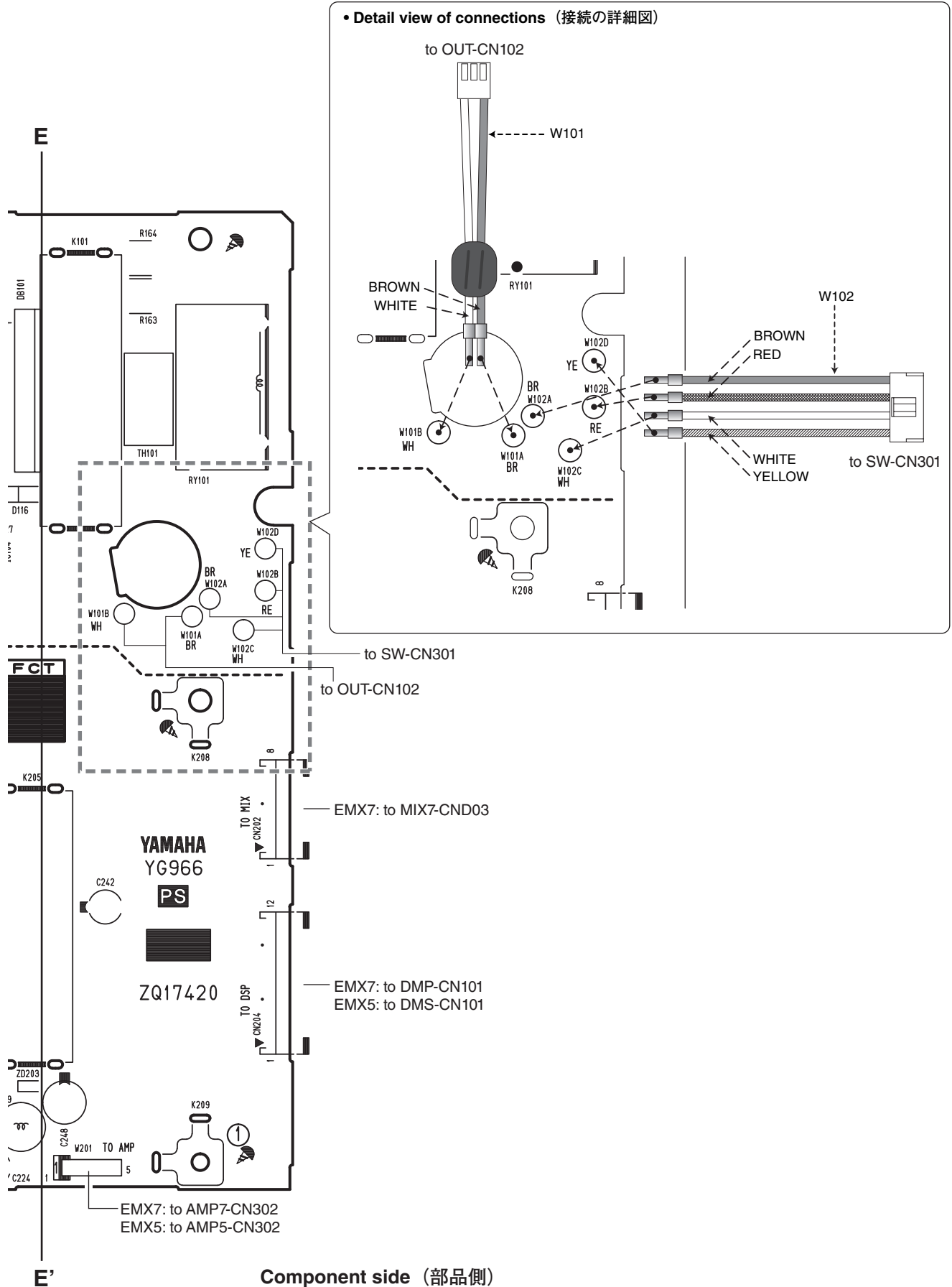
- AMP7 Circuit Board (EMX7)
- AMP5 Circuit Board (EMX5)



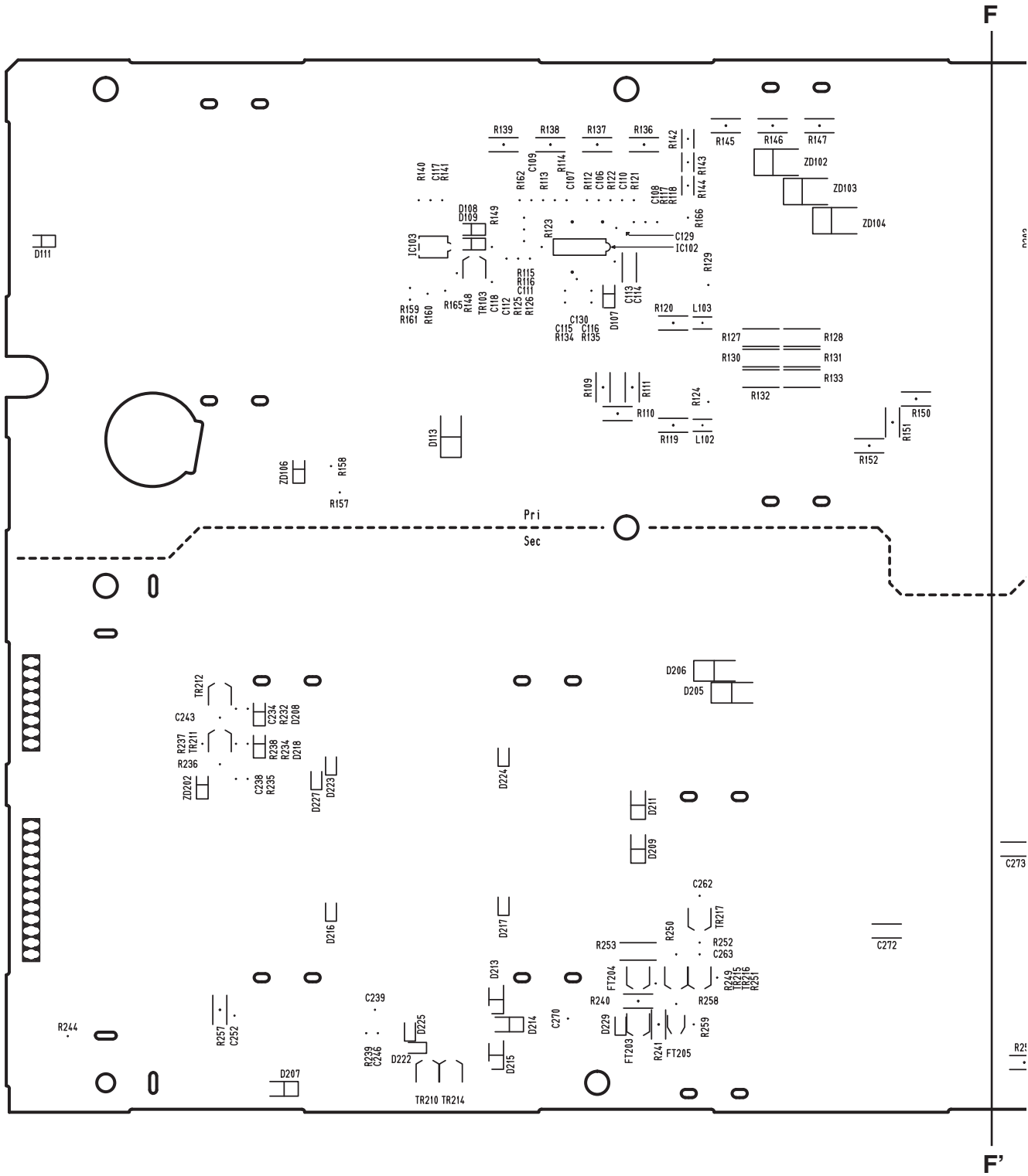
Pattern side (パターン側)

● PS Circuit Board

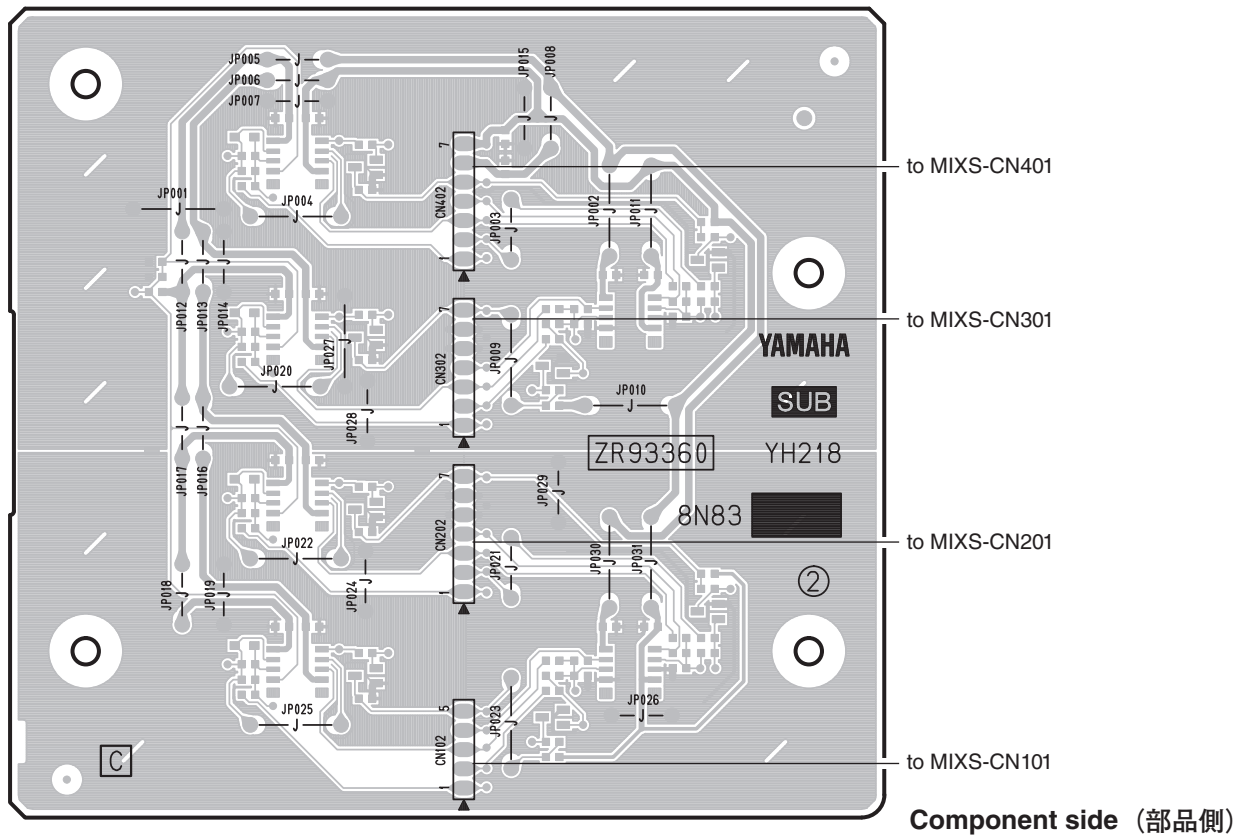




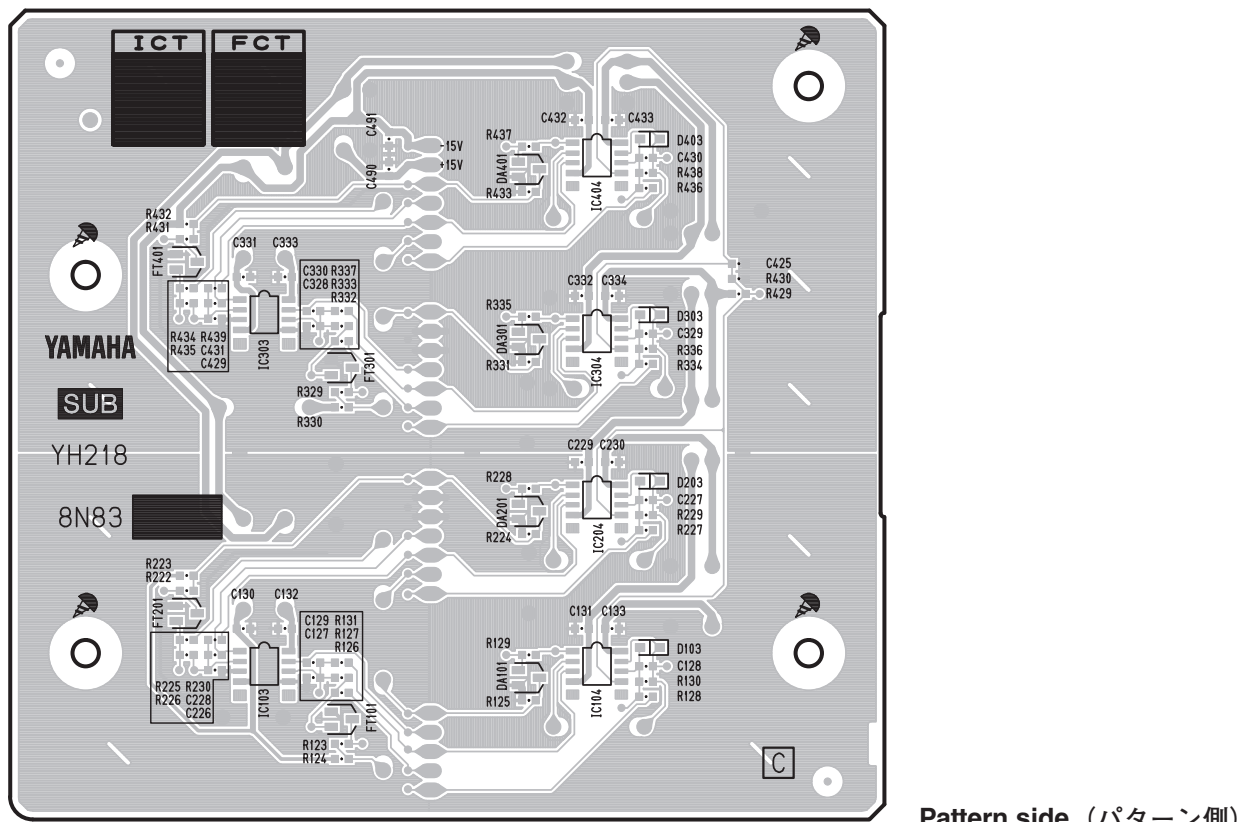
• PS Circuit Board



● SUB Circuit Board (EMX5)



Component side (部品側)



Pattern side (パターン側)

TEST PROGRAM

1. Preparation

1-1. Preparation

- Personal Computer 1 unit
Windows 7 SP1 with USB port
- USB cable 1 pc.
The PC is connected with EMX7 or EMX5.
- Foot Switch 1 unit
YAMAHA FC5 or Jig (Used in SW FOOT test)

1-2. Application for Service inspection

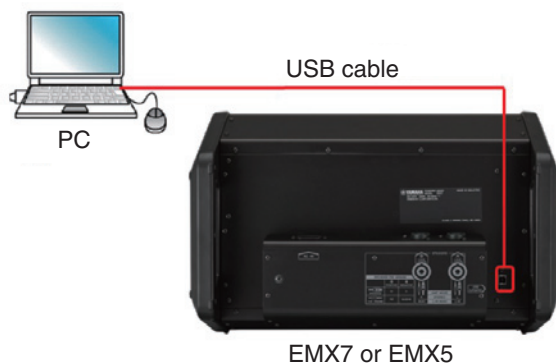
Download the latest version of application files for service inspection from the YSISS homepage and copy them to personal computer.

- Application for Service inspection
(EMX7) EMX_EMX7¥Diag.exe
EMX_EMX7¥Diag.ini
- (EMX5) EMX_EMX5¥Diag.exe
EMX_EMX5¥Diag.ini

These are used for displaying the instruction of test execution and the result of execution.

1-3. How to connection

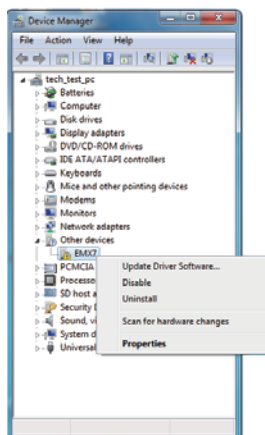
PC and EMX7 or EMX5 is connected using a USB cable.



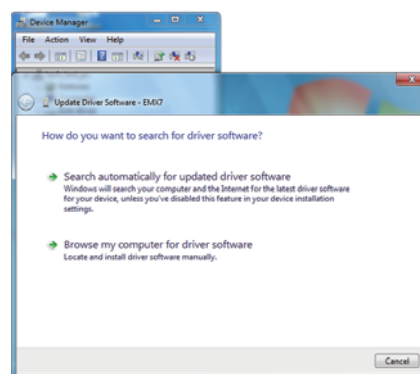
1-4. How to install the driver

If you want to use for the first time the EMX7 or EMX5 is necessary to install the driver.
Procedure is as follows.

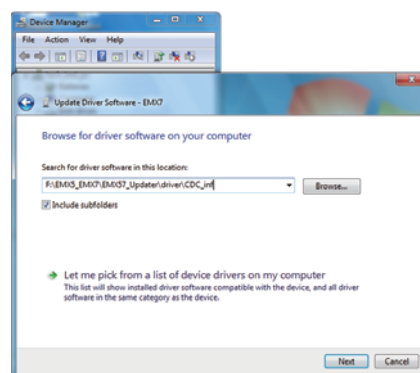
- 1) Select the EMX7 or EMX5 from the Device Manager, right-click. Select to “Update Driver Software”.



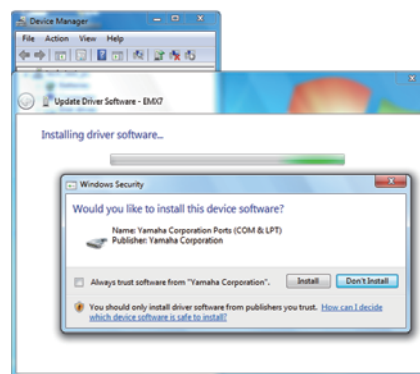
- 2) Select “Browse my computer for driver software”.



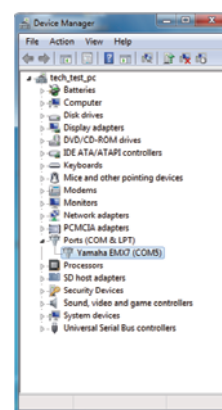
- 3) To specify the CDC_inf file.



- 4) Select “Install”.



- 5) It is complete if the EMX7 or EMX5 is displayed in the port (COM & LPT) of the device manager.

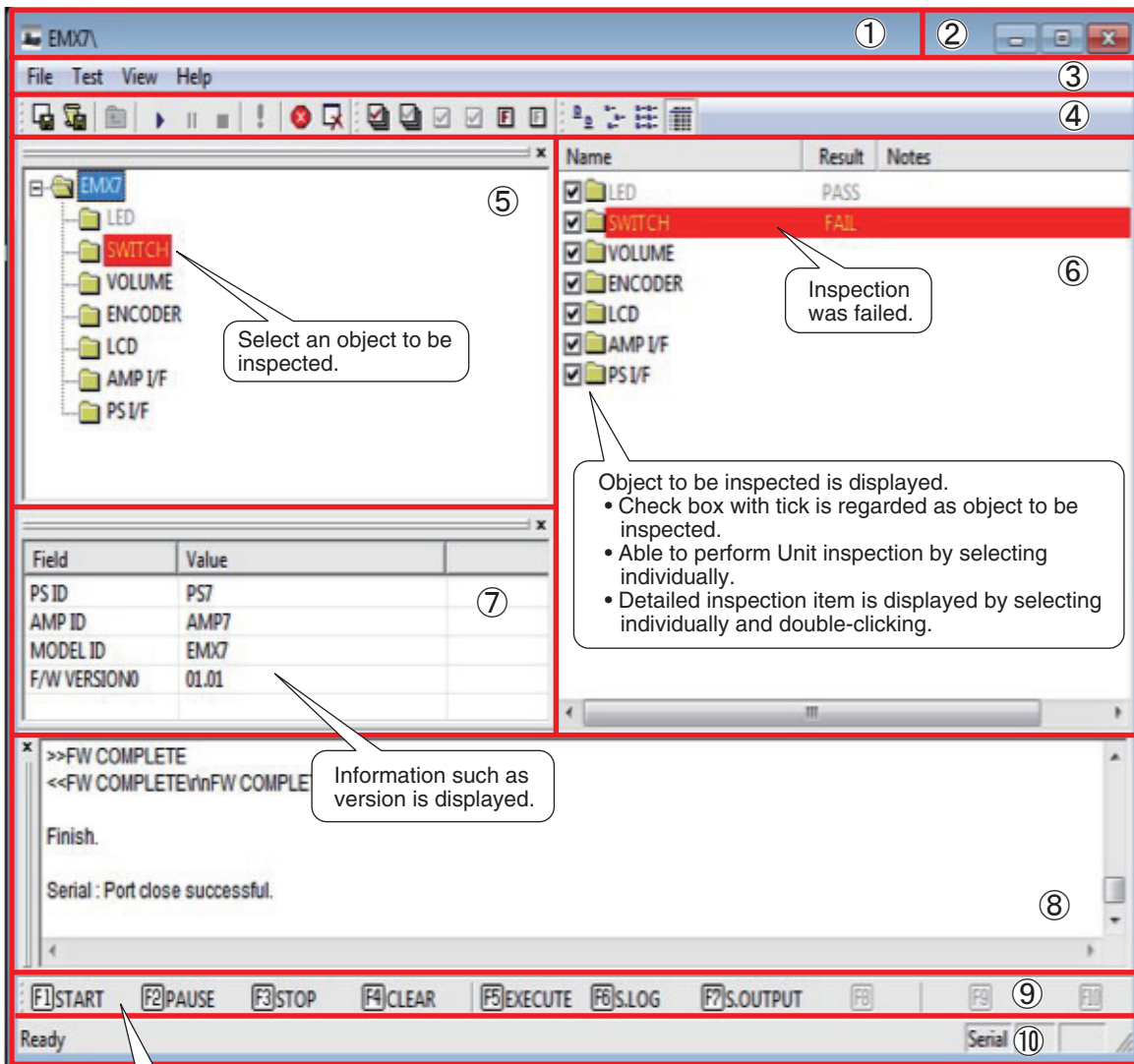


2. The mode of activation

2-1. Diagnostic mode

No special action is required. As usual, please turning on the power.

3. The explanation of Application



[Execution and Termination of inspection]

- [F1] START : Start test.
- [F2] PAUSE : Pause test.
- [F3] STOP : Stop test.
- [F4] CLEAR : Clear the result.
- [F5] EXECUTE : Execute test.
- [F6] S.LOG : Store Log.
- [F7] S.OUTPUT : Store Output character string.

(1) Title bar (1)

Title of application is displayed.

(2) Title button (2)


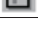


Button for managing window is displayed.

The buttons are "minimization", "maximization" and "close" from the left.

(3) Menu bar (③)

Menu list is displayed.

The details of menu are as follows:

Menu		Tool bar	Description	
File	Save output		Store content of output in file.	
	Save log		Store content of log in file.	
	Exit		Terminate application.	
Test	Execute		Execute Unit inspection.	
	Start		Start inspection.	
	Pause		Pause inspection.	
	Stop		Stop inspection.	
	Clear result		Clear the result of selected item.	
	FAIL Stop		Stop inspection due to occurring of FAIL.	
	Check	All on		Tick all items.
		All off		Take the check mark of all items off.
		Selected on		Tick item selected.
		Selected off		Take the check marks of item selected off.
FAIL on			Tick FAIL item.	
FAIL off			Take the check mark of FAIL item off.	
Port setup		Make setting of connection port to device.		
View	Folder up		Move to the next highest folder.	
	Large Icons		Display items with large icon.	
	Small Icons		Display items with small icon.	
	List		Display items with list.	
	Details		Display items in detail.	
	Options		Make setting of each option.	
Help	About		Display version information of application.	

(4) Tool bar (④)

Command buttons are displayed.

With this window, it is possible to switch between displayed/hidden state and between floating/docking state.

Displayed/hidden state can be switched with [View] – [Options] menu.

Floating/docking is executed by dragging the window.

“Tool help” and “display Text” can be switched with [View] – [Options] menu.

(5) Tree window (⑤)

Test items are shown by hierarchical display.

After being selected, item which is included in hierarchy is displayed in “List window”.

With this window, it is possible to switch between displayed/hidden state and between floating/docking state.

Displayed/hidden state can be switched with [View] – [Options] menu.

Floating/docking is executed by dragging the window.

(6) List window (⑥)

List of items which are included in hierarchy selected in Tree window is displayed.

When test is started from [Test]-[Start] menu, it is performed to item only which was ticked.

When “Detail” is selected to display, “Result” and “Procedure” are displayed.

Font color can be changed depending on test result.

Font color change is specified at [View]-[Options] menu.

(7) Property window (⑦)

List of character strings obtained by test is displayed.

With this window, it is possible to switch between displayed/hidden state and between floating/docking state.

Displayed/hidden state can be switched with [View] – [Options] menu.

Floating/docking is executed by dragging the window.

(8) Output window (⑧)

Character strings, such as communication content with the unit, are displayed.

Font type and the color are specified at [View]-[Options] menu.

With this window, it is possible to switch between displayed/hidden state and between floating/docking state.

Displayed/hidden state can be switched with [View] – [Options] menu.

Floating/docking is executed by dragging the window.

(9) Function Key (⑨)

Commands assigned from F1 to F12 are displayed.

With this window, it is possible to switch between displayed/hidden state and between floating/docking state.

Displayed/hidden state can be switched with [View] – [Options] menu.

Floating/docking is executed by dragging the window.

(10) Status bar (⑩)

The explanation of select command and status of toggle key are displayed.

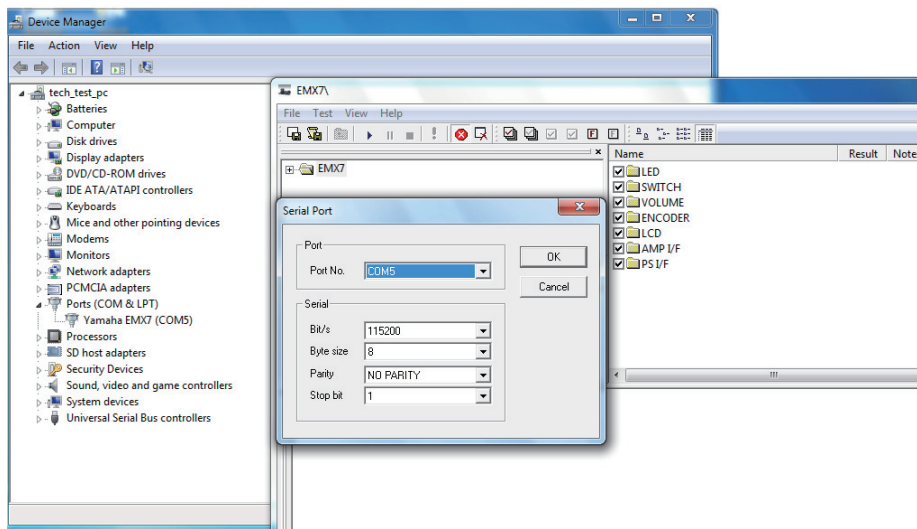
With this window, it is possible to switch between displayed/hidden state.

Displayed/hidden state can be switched with [View] – [Options] menu.

Communication setting

Select the Menu → Test → Port setup...

Select the COM port number corresponding it has been listed in the device manager.

**(11) Communication error**

If there is no communication response in each inspection, “Port open error.” is indicated in Output window.

The followings are considered as the cause.

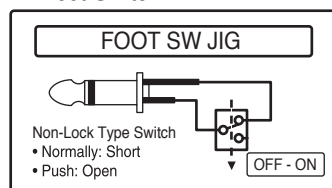
- USB cable is not connected.
- Selection of COM port number is invalid.
- Malfunction of Serial port and/or peripheral circuitry.

4. List of inspection items

※○: Inspect / ×: Not inspect

No.	Inspection item	Sub item	General description of inspection	Adjudication	EMX7	EMX5
1	LED	LED ALL ON	Turn on the light, and confirm that all turn on in the test item. EMX7 Target is PROTECTION CH A, CH B, LIMIT CH A, CH B, STEREO, L+R/AUX1. EMX5 Target is FX PROGRAM 7 Seg., METER, PROTECTION CH A, CH B, LIMIT CH A, CH B, BASS BOOST.	Visual	○	○
		LED ALL OFF	Turn off the light, and confirm that all turn off in the test item. The targets are the same as LED ALL ON.	Visual	○	○
		LED BLINK	Confirm that all of the LED is flashing. The targets are the same as LED ALL ON.	Visual	○	○
2	SWITCH	SW FOOT SW FX SW FBS SW MODE (EMX5 only) SW ENC-PROGRAM SW ENC-CONTROL (EMX7 only) SW GEQ_AUX1 (EMX7 only)	Press the switch indicated by the diag program and check the input value is correct on automatically. ※When “SET FOOT ON” message box is displayed, insert a foot switch*1 to FOOT SW FX MUTE jack. And when “SET FOOT OFF” message box, unplug this. Refer to “2. Detail of SWICH-Sub item” (Page 52).	Semi-Auto	○	○
3	VOLUME	PARAMETER ST LEVEL AUX1 LEVEL AUX2 LEVEL (EMX7 only) MASTER EQ (EMX5 only)	Turn the knob, if the value is contained within the specified range. Refer to “3. Detail of VOLUME-Sub item” (Page 52).	Semi-Auto	○	○
4	ENCODER	PROGRAM CONTROL (EMX7 only)	Turn the encoder, if the value is contained within the specified range. Refer to “4. Detail of ENCODER-Sub item” (Page 52).	Auto	○	○
5	LCD	LED CHECK (EMX7 only)	Check visually test pattern (Left half lighting, Right half lighting, All off, All lighting, All off).	Visual	○	×
		LCD CONTRAST (EMX7 only)	Check visually because the contrast of LCD is changed.			
6	AMP I/F	AMPIF TSENSE L AMPIF TSENSE R AMPIF PROTECT L AMPIF PORTECT R	To check the connection status of the amplifier automatically.	Auto	○	○
7	PS I/F	PSIF PSSD	Check the PSSD circuit by visual.	Visual	○	○

*1 Foot Switch



For connecting an available unlocked type foot switch, such as the Yamaha FC5.

2. Detail of SWITCH-Sub item

SWITCH NAME	Detail	EMX5	EMX7
SW FOOT	FX RTN (Effect Return) [FOOT SW] (Foot Switch) jack	16	16
SW FX	FX RTN (Effect Return) [FX ON] switch	15	15
SW FBS	[FEEDBACK SUPPRESSOR] switch	24	24
SW MODE (EMX5 only)	AMPLIFIER [MODE] switch	35	—
SW ENC-PROGRAM	[PROGRAM] rotary encoder	18	18
SW ENC-CONTROL (EMX7 only)	[MENU/CONTROL] rotary encoder	—	20
SW GEQ_AUX1 (EMX7 only)	[GEQ ACCESS] buttons	—	25

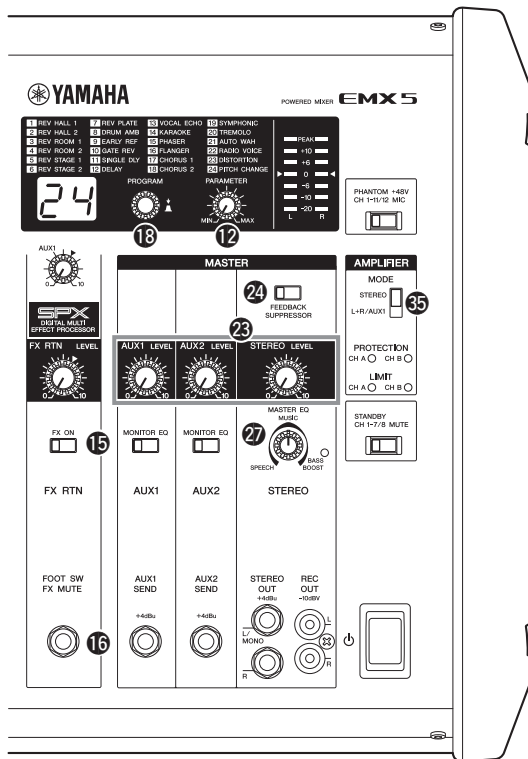
3. Detail of VOLUME-Sub item

VOLUME NAME	Detail	EMX5	EMX7
PARAMETER	FX RTN (Effect Return) [PARAMETER] control	12	12
ST LEVEL	STEREO MASTER [LEVEL] control	23	23
AUX1 LEVEL	AUX1 MASTER [LEVEL] control	23	23
AUX2 LEVEL (EMX7 only)	AUX2 MASTER [LEVEL] control	—	23
MASTER EQ (EMX5 only)	[MASTER EQ] control	27	—

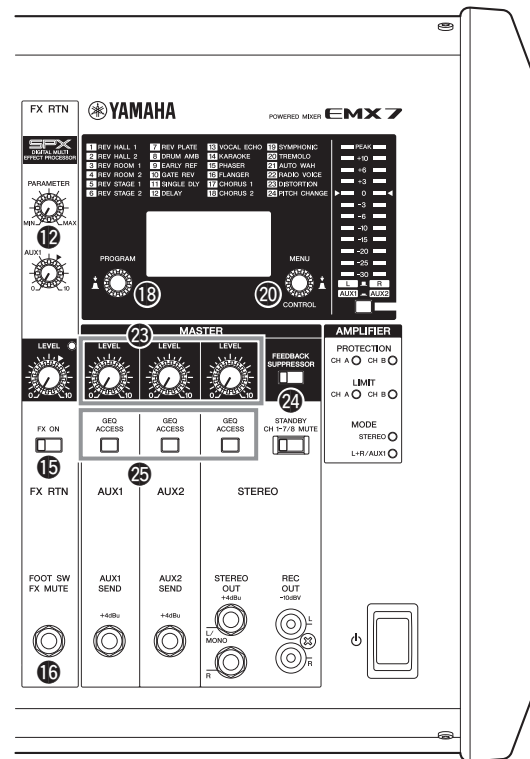
4. Detail of ENCODER-Sub item

ENCODER NAME	Detail	EMX5	EMX7
PROGRAM	[PROGRAM] rotary encoder	18	18
CONTROL (EMX7 only)	[MENU/CONTROL] rotary encoder	—	20

EMX5



EMX7

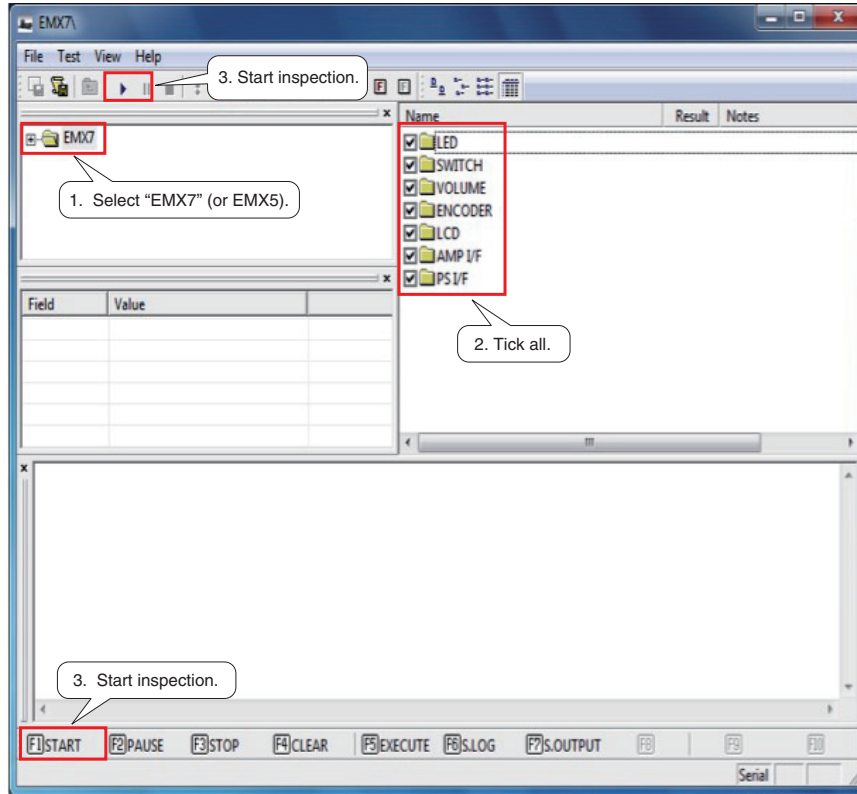


5. Service inspection

5-1. How to activate

- (1) Turn on the EMX7 or EMX5.
- (2) Run application for EMX7 inspection (EMX7¥Diag.exe) or EMX5 inspection (EMX5¥Diag.exe).

Inspection screen



5-2. How to inspect

1. Confirm that [EMX7](or [EMX5]) is being selected in Tree window.
 - ※ If it's not being selected, select [EMX7](or [EMX5]).
2. Confirm that all objects to be inspected were ticked in List window.
 - ※ If all objects to be inspected are not being ticked, click [All on] button on toolbar.
3. Start inspection with one of the following ways.
 - Click [Start] on tool bar.
 - Click [START] of Function key.
 - Press [F1] of keyboard.
 - Click [Test]-[Start] on Menu bar.

6. Inspection item

6-1. Confirmation of Model ID and version

Make sure that Model ID and version that are displayed in the property window of the application for service inspection matches with the contents of the following table.

INFO MODEL_**	MODEL	EMX5			EMX7		
	**	PS	AMP	MODEL	PS	AMP	MODEL
	Criteria	PS7	AMP5	EMX5	PS7	AMP7	EMX7
INFO VER_**	MODEL	EMX5			EMX7		
	**	DM			DM		
	Criteria	Latest version					

The property window of the application for service inspection.

Field	Value	
PS ID	PS7	
AMP ID	AMP7	
MODEL ID	EMX7	
F/W VERSION0	01.01	

6-2. Inspection of the LED, SWITCH, VOLUME, ENCODER, LCD, AMP I/F and PS I/F

Operate according to the instructions of the application for service inspection.

Regarding to general description of the inspection, refer to “4. List of inspection items” (Page 51) in TEST PROGRAM section.

■ テストプログラム

1. 準備

1-1. 必要なもの

- パソコン 1 台
Windows 7 SP1 USB ポート有り
- USB ケーブル 1 式
PCとEMX7もしくはEMX5を接続します。
- フットスイッチ 1 式
YAMAHA FC5または治具(SW FOOTテストで使用)

1-2. サービス検査用アプリケーション

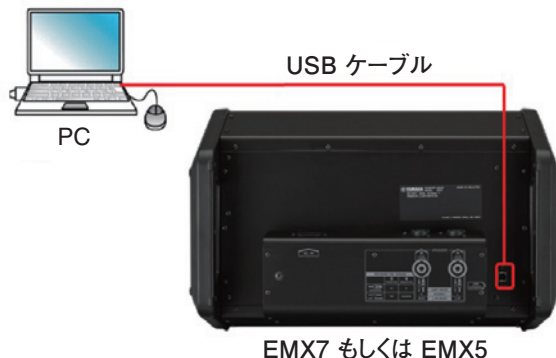
YSISSホームページから以下のサービス検査用アプリケーションファイルをダウンロードし、パソコンにコピーします。

- サービス検査用アプリケーション
(EMX7) EMX_EMX7¥Diag.exe
EMX_EMX7¥Diag.ini
(EMX5) EMX_EMX5¥Diag.exe
EMX_EMX5¥Diag.ini

これらはテスト実行指示と実行結果を表示するために使用します。
最新バージョンを使用してください。

1-3. 接続方法

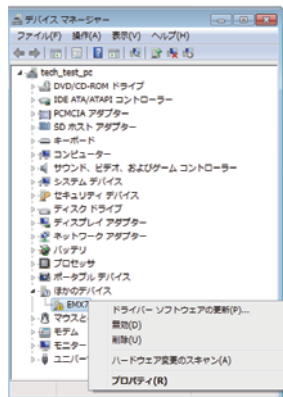
PCとEMX7もしくはEMX5をUSBケーブルで接続します。



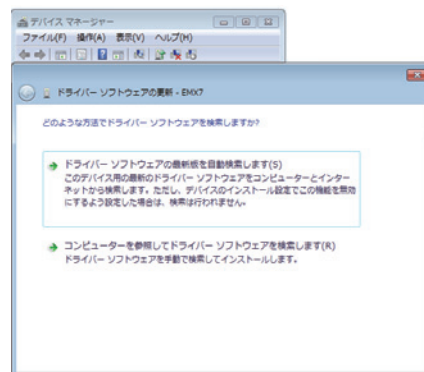
1-4. ドライバーのインストール

EMX7もしくはEMX5を初めてPCに接続する場合はドライバーのインストールが必要です。
手順は以下になります。

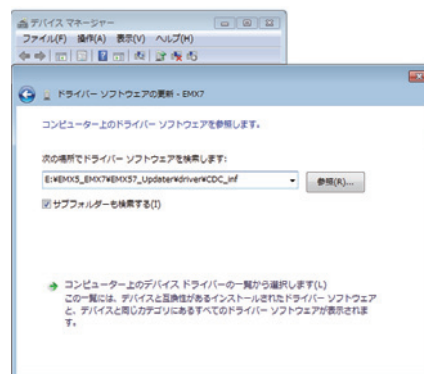
- 1) デバイスマネージャからEMX7またはEMX5を選択し、右クリックをします。「ドライバーソフトウェアの更新」を選択します。



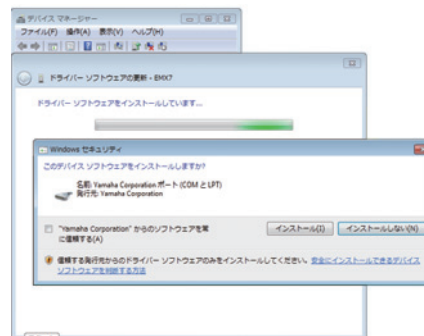
- 2) 「コンピューターを参照してドライバーソフトウェアを検索します」を選択します。



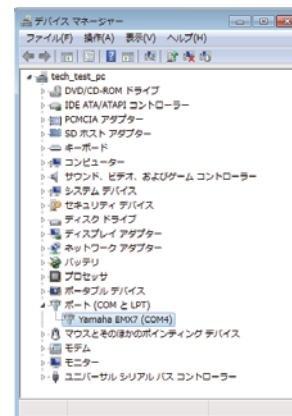
- 3) ファイルCDC_infを指定します。



- 4) 「インストール」を選択します。



- 5) デバイスマネージャのポート(COMとLPT)にEMX7またはEMX5が表示されれば完了です。

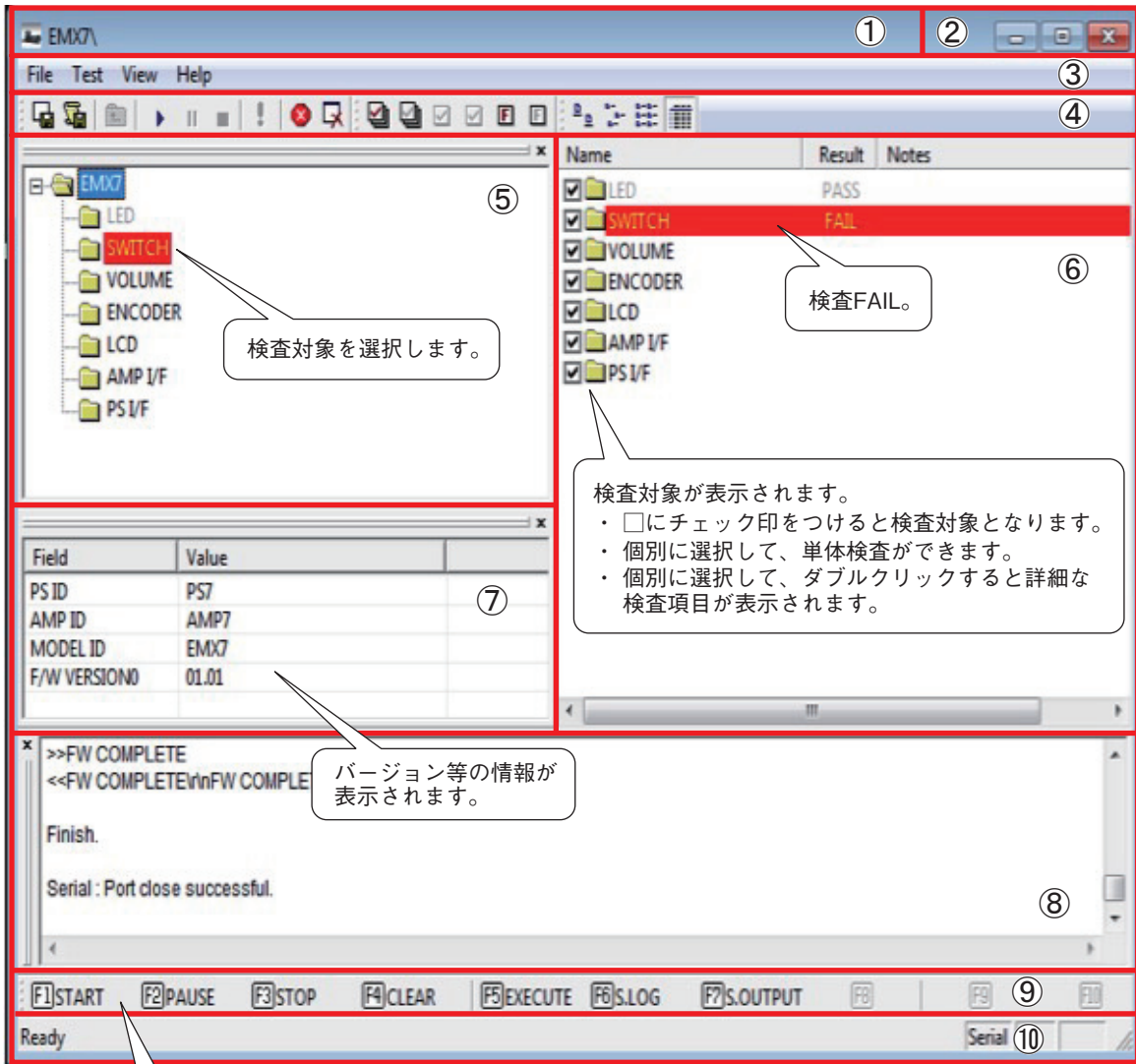


2. 起動モード

2-1. ダイアグモード

特別な操作は必要ありません。通常通り電源を投入します。

3. アプリケーション説明



【検査の実行&停止】

- [F1] START : テストのスタート
- [F2] PAUSE : テストの一時停止
- [F3] STOP : テストの停止
- [F4] CLEAR : 結果のクリア
- [F5] EXECUTE : テストの実行
- [F6] S.LOG : ログの保存
- [F7] S.OUTPUT : 出力文字列の保存

(1) タイトルバー(①)

アプリケーションのタイトルが表示されます。

(2) タイトルボタン(②)

ウインドウ操作を行うボタンが表示されます。
ボタンは左から「最小化」、「最大化」、「閉じる」。

(3) メニューバー (③)

メニュー一覧が表示されます。
メニュー詳細は以下の通りです。

メニュー		ツールバー	説明	
File	Save output		アウトプットの内容をファイルに保存	
	Save log		ログの内容をファイルに保存	
	Exit		アプリケーションを終了	
Test	Execute		単一検査の実行	
	Start		検査の開始	
	Pause		検査の一旦停止	
	Stop		検査の停止	
	Clear result		選択項目の結果をクリア	
	FAIL Stop		FAIL発生で検査停止	
	Check	All on		全ての項目にチェックマークをつける
		All off		全ての項目のチェックマークをはずす
		Selected on		選択した項目にチェックマークをつける
		Selected off		選択した項目のチェックマークをはずす
FAIL on			FAIL項目にチェックマークをつける	
FAIL off			FAIL項目のチェックマークをはずす	
Port setup		実機への接続ポートの設定を行う		
View	Folder up		1つ上のフォルダへ移動	
	Large Icons		リストを大きいアイコンで表示	
	Small Icons		リストを小さいアイコンで表示	
	List		リストを一覧で表示	
	Details		リストを詳細で表示	
	Options		各種オプションの設定を行う	
Help	About		アプリケーションのバージョン情報を表示	

(4) ツールバー (④)

コマンドボタンが表示されます。
このウィンドウは表示／非表示の切り替え、及びフローティング／ドッキングの切り替えを行うことができます。
表示／非表示の切り替えは[View]-[Options]メニューで切り替えることができます。
フローティング／ドッキングはウィンドウをドラッグして行います。
[ツールヘルプ]及び「文字列表示」は[View]-[Options]メニューで切り替えることができます。

(5) ツリーウィンドウ (⑤)

テスト項目が階層表示されます。
選択を行うと階層に含まれる項目が「リストウィンドウ」に表示されます。
このウィンドウは表示／非表示の切り替え、及びフローティング／ドッキングの切り替えを行うことができます。
表示／非表示の切り替えは[View]-[Options]メニューで切り替えることができます。
フローティング／ドッキングはウィンドウをドラッグして行います。

(6) リストウインドウ (⑥)

「ツリーウインドウ」で選択された階層内に含まれる項目一覧が表示されます。

[Test]-[Start]メニューでテストを開始した場合、チェックマークが付いている項目のみが実行されます。

表示に「詳細」を選択した場合は「結果」と「プロシージャ」が表示されます。

テスト結果により文字色を変更することができます。

文字色の変更は[View]-[Options]メニューで設定します。

(7) プロパティウインドウ (⑦)

テストにより取得した文字列の一覧を表示します。

このウインドウは表示／非表示の切り替え、及びフローティング／ドッキングの切り替えを行うことができます。

表示／非表示の切り替えは[View]-[Options]メニューで切り替えることができます。

フローティング／ドッキングはウインドウをドラッグして行います。

(8) アウトプットウインドウ (⑧)

本体との通信内容等の文字列が表示されます。

フォントの種類及び文字色の変更は[View]-[Options]メニューで設定します。

このウインドウは表示／非表示の切り替え、及びフローティング／ドッキングの切り替えを行うことができます。

表示／非表示の切り替えは[View]-[Options]メニューで切り替えることができます。

フローティング／ドッキングはウインドウをドラッグして行います。

(9) ファンクションキー (⑨)

F1～F12キーへ割り当てられたコマンドが表示されます。

このウインドウは表示／非表示の切り替え、及びフローティング／ドッキングの切り替えを行うことができます。

表示／非表示の切り替えは[View]-[Options]メニューで切り替えることができます。

フローティング／ドッキングはウインドウをドラッグして行います。

(10) ステータスバー (⑩)

選択コマンドの説明及びトグルキーの状態を表示します。

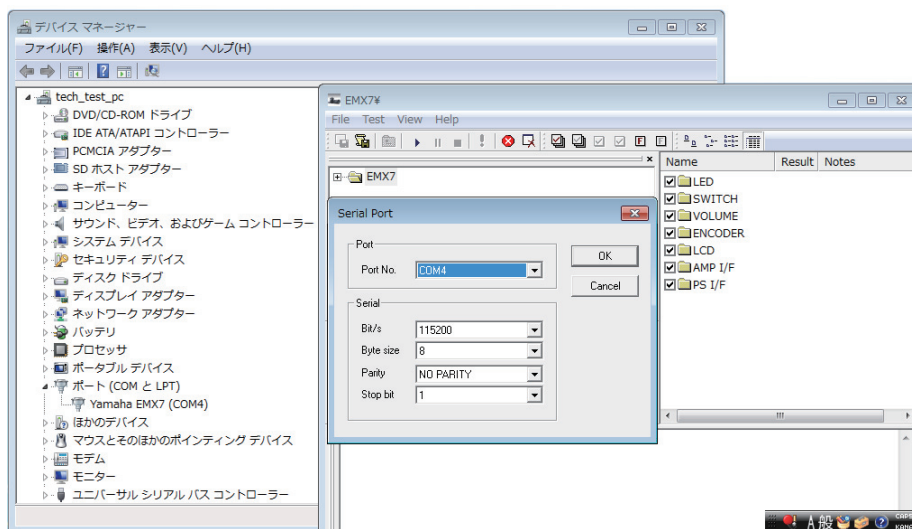
このウインドウは表示／非表示の切り替えを行うことができます。

表示／非表示の切り替えは[View]-[Options]メニューで切り替えることができます。

シリアルポート設定

メニュー → Test → Port setup…を選択します。

デバイスマネージャに表示されているCOM番号と対応するポートを選択します。

**(11) 通信エラー**

各検査で通信応答が無い場合は、アウトプットウインドウへ「Port open error.」と表示します。

原因として、下記の事が考えられます。

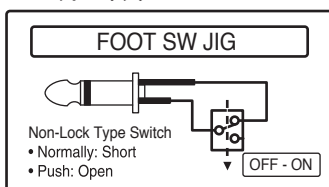
- USBケーブルが接続されていない。
- COMポート番号の選択を誤っている。
- シリアル端子および周辺回路の故障。

4. 検査項目一覧

※○: 検査する / ×: 検査しない

No.	検査項目	小項目	検査概要	判定	EMX7	EMX5
1	LED	LED ALL ON	全点灯することを確認します。 EMX7の対象は、PROTECTION CH A, CH B, LIMIT CH A, CH B, STEREO, L+R/AUX1です。 EMX5の対象は、FX PROGRAM 7 Seg., METER, PROTECTION CH A, CH B, LIMIT CH A, CH B, BASS BOOSTです。	目視	○	○
		LED ALL OFF	全消灯することを確認します。 対象はLED ALL ONと同じです。	目視	○	○
		LED BLINK	全点滅することを確認します。 対象はLED ALL ONと同じです。	目視	○	○
2	SWITCH	SW FOOT SW FX SW FBS SW MODE (EMX5のみ) SW ENC-PROGRAM SW ENC-CONTROL (EMX7のみ) SW GEQ_AUX1 (EMX7のみ)	指定されたスイッチ (SW) を押し、入力値を自動確認します。 ※“SET FOOT ON”メッセージボックスが表示されたらフットスイッチ*1を押し、“SET FOOT OFF”メッセージボックスが表示されたらそれを抜きます。 「2. SWITCH小項目詳細」(60ページ)を参照してください。	半自動	○	○
3	VOLUME	PARAMETER ST LEVEL AUX1 LEVEL AUX2 LEVEL (EMX7のみ) MASTER EQ (EMX5のみ)	つまみを回して、値が規定範囲以内に入っているか自動確認します。 「3. VOLUME小項目詳細」(60ページ)を参照してください。	半自動	○	○
4	ENCODER	PROGRAM CONTROL (EMX7のみ)	エンコーダーを回して、値が規定範囲以内に入っていることを自動確認します。 「4. ENCODER小項目詳細」(60ページ)を参照してください。	自動	○	○
5	LCD	LED CHECK (EMX7のみ)	“左半分点灯”、“右半分点灯”、“全消灯”、“全点灯”、“全消灯”と表示が変化するので、目視でチェックします。	目視	○	×
		LCD CONTRAST (EMX7のみ)	LCDのコントラストが順次変化するので、目視で確認します。			
6	AMP I/F	AMPIF TSENSE L AMPIF TSENSE R AMPIF PROTECT L AMPIF PORTECT R	アンプとの接続状態を自動で確認します。	自動	○	○
7	PS I/F	PSIF PSSD	PSSD検出確認	目視	○	○

*1 フットスイッチ



フットスイッチ (ヤマハFC5などのアンロックタイプ) を接続します。

2. SWITCH小項目詳細

SWITCH名	詳細	EMX5	EMX7
SW FOOT	FX RTN (エフェクトリターン) [FOOT SW] (フットスイッチ) 端子	16	16
SW FX	FX RTN (エフェクトリターン) [FX ON] スイッチ	15	15
SW FBS	[FEEDBACK SUPPRESSOR] (フィードバックサプレッサー) スイッチ	24	24
SW MODE (EMX5のみ)	AMPLIFIER [MODE] スイッチ	35	—
SW ENC-PROGRAM	[PROGRAM] エンコーダー	18	18
SW ENC-CONTROL (EMX7のみ)	[MENU/CONTROL] エンコーダー	—	20
SW GEQ_AUX1 (EMX7のみ)	[GEQ ACCESS] ボタン	—	25

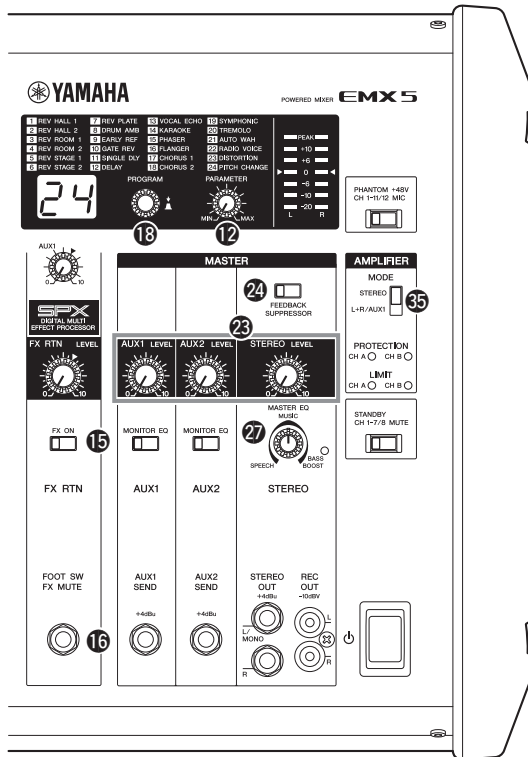
3. VOLUME小項目詳細

VOLUME名	詳細	EMX5	EMX7
PARAMETER	FX RTN (エフェクトリターン) [PARAMETER] コントロール	12	12
ST LEVEL	STEREO MASTER [LEVEL] コントロール	23	23
AUX1 LEVEL	AUX1 MASTER [LEVEL] コントロール	23	23
AUX2 LEVEL (EMX7のみ)	AUX2 MASTER [LEVEL] コントロール	—	23
MASTER EQ (EMX5のみ)	[MASTER EQ] コントロール	27	—

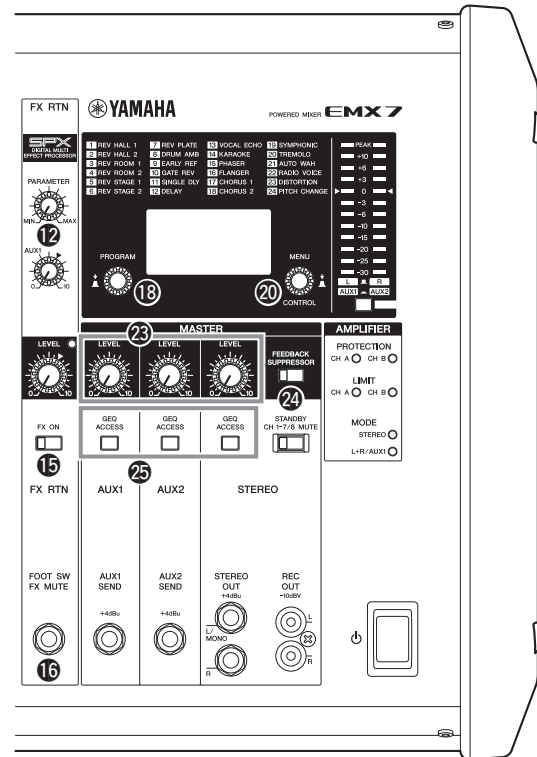
4. ENCODER小項目詳細

ENCODER名	詳細	EMX5	EMX7
PROGRAM	[PROGRAM] エンコーダー	18	18
CONTROL (EMX7のみ)	[MENU/CONTROL] エンコーダー	—	20

EMX5



EMX7

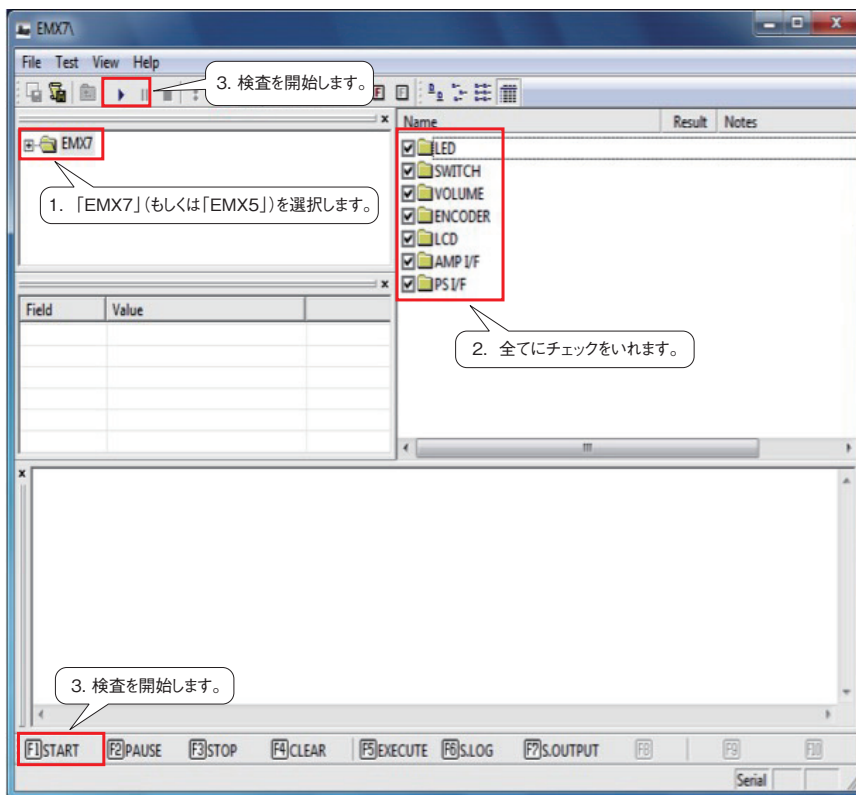


5. サービス検査

5-1. 起動方法

- (1) EMX7またはEMX5の電源を入れます。
- (2) EMX7検査用アプリケーション(EMX7¥Diag.exe)もしくはEMX5検査用アプリケーション(EMX5¥Diag.exe)を起動します。

検査画面



5-2. 検査方法

1. ツリーウィンドウで、[EMX7](もしくは[EMX5])が選択されていることを確認します。
※選択されていない場合は、[EMX7](もしくは[EMX5])を選択します。
2. リスト ウィンドウで、検査対象の全てにチェック印があることを確認します。
※検査対象の全てにチェック印がない場合は、ツールバーの[All on]のボタンをクリックします。
3. 下記のいずれかの方法で検査を開始します。
 - ツールバーの[Start]をクリックします。
 - ファンクションキーの[START]をクリックします。
 - キーボードの[F1]を押します。
 - メニューバーの[Test]-[Start]をクリックします。

6. 検査項目

6-1. モデルIDとバージョンの確認

サービス検査用アプリケーションのプロパティウィンドウに表示されているモデルIDとバージョンが、以下の表の内容と一致していることを確認します。

INFO MODEL_**	モデル	EMX5			EMX7		
	**	PS	AMP	MODEL	PS	AMP	MODEL
	判断基準	PS7	AMP5	EMX5	PS7	AMP7	EMX7
INFO VER_**	モデル	EMX5			EMX7		
	**	DM			DM		
	判断基準	最新バージョン					

検査用アプリケーションのプロパティウィンドウ

Field	Value	
PS ID	PS7	
AMP ID	AMP7	
MODEL ID	EMX7	
F/W VERSION0	01.01	

6-2. LED、SWITCH、VOLUME、ENCODER、LCD、AMP I/F、PS I/Fの検査

サービス検査用アプリケーションの指示に従って操作してください。

検査の概要については、「4. 検査項目一覧」(59ページ)を参照してください。

MEASUREMENT

1. Measurement Conditions

1-1. Environment

Normal temperature: 5 to 40 degree

Normal humidity: 30 to 90%

Note) [The following measurement conditions are permitted if the measurement result is in the inspection standard.

(Temperature: 5 to 40 degree, Humidity: 20 to 90%)

But, measure it again at the normal temperature and normal humidity when it varies from the inspecting standard.]

1-2. Required PC and Cable

- Personal Computer 1 unit
Windows 7 SP1 with USB port
- USB cable 1 pc.
The PC is connected with EMX7 or EMX5.

1-3. Measuring Instrument

- Use a reliable measuring device capable of precisely measuring the specification values indicated in this document.

1-4. How to connection

PC and EMX7 or EMX5 is connected using a USB cable. Refer to "1-3. How to connection" (Page 47) in TEST PROGRAM section.

Regarding connection of measuring instrument, refer to "1-5. Preparation" (Page 63) in Measurement section.

1-5. Preparation

- 0dBu is referenced to 0.775Vrms.
- Unless otherwise specified, the input signal shall be sine wave.
- The input signal impedance shall be 150 ohms.
(Balanced input, Unbalanced input)
- The load resistance for each output terminals are as follows , when measuring the Mixer section.
10k ohms (Unbalanced)
Don't attach load resistance to SPEAKERS OUT.
- The load resistance for each output terminals are as follows , when measuring the Power AMP section.
SPEAKERS (A/B) : 4 ohms / 250W or more (Unbalanced)
(It connects only at the time of measurement.)
Connection of load resistance and measuring instrument is referred to the Fig. 1.5.
- The low pass filter is used AUX-0025 made by Audio Precision and 22kHz LPF , when measuring the Power AMP section.
- Regarding the command for inspection, refer to the "List of command" section (Page 77).
- Before inspection, initialize the setup by the commands "EPPROM INIT **".
(** --- EMX7 : GEQ, SP, LCD, and FX, EMX5 : FX")

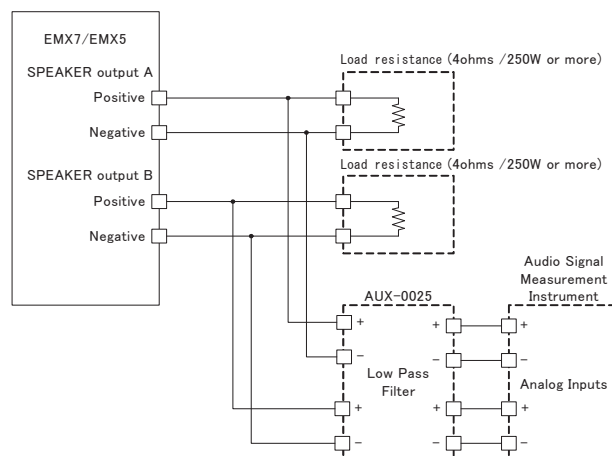


Fig. 1.5

1-6. Setting of operation elements

Unless otherwise specified, the operation elements shall be set as follows.

- CH INPUT (1-4, 5/6-11/12)
MIC/LINE switch (INPUT 1) : OFF (MIC) ----
Measuring the Mixer section.
- ON (LINE) ---- Measuring the Power AMP section.
MIC/LINE switch (INPUT 2-4) : OFF (MIC)
HPF switch (INPUT 1-3) : OFF
Hi-Z switch (INPUT 4) : OFF
COMP control (INPUT 1-4) : MIN (0)
LEVEL control (INPUT 1) : MIN (0) ---- Measuring the Mixer section.
MAX (10)---- Measuring the Power AMP section.
LEVEL control (INPUT 2-12) : MIN (0)
AUX1 level control (INPUT 1-12) : MIN (0)
AUX2 level control (INPUT 1-12) : MIN (0)
HIGH gain control (INPUT 1-12) : CENTER (click position)
MID gain control (INPUT 1-12) : CENTER (click position)
LOW gain control (INPUT 1-12) : CENTER (click position)
- MASTER
STEREO LEVEL control : MAX (10)
MASTER EQ control : Center (click position) (EMX5 only)
AUX1 SEND MONITOR EQ switch : OFF (EMX5 only)
AUX2 SEND MONITOR EQ switch : OFF (EMX5 only)
STEREO GEQ ACCESS switch : OFF (EMX7 only)
AUX1 GEQ ACCESS switch : OFF (EMX7 only)
AUX2 GEQ ACCESS switch : OFF (EMX7 only)
AUX1 SEND LEVEL control : MAX (10)
AUX2 SEND LEVEL control : MAX (10)

·FX

FX ON switch :OFF
 FX RTN AUX1 control :MIN (0)
 FX RTN LEVEL control :MIN (0)
 PROGRAM encoder :Unspecified
 PARAMETER control :MIN (0)

·OTHERS

PHANTOM switch :OFF
 STAND-BY switch :OFF
 AMPLIFIRE MODE switch :STEREO (EMX5 only)
 FEEDBACK SUPPRESSOR switch :OFF
 METER SELECT switch :L/R (EMX7 only)
 CONTROL encoder :Unspecified (EMX7 only)

2. Inspection Items

2-1. Mixer section

2-1-1. Gain table

The level of output when set the “Table 2.1”.

Table 2.1 unit[dBu]

Measurement condition			OUTPUT		Criteria	No.
INPUT			Terminal	Setting	OUTPUT Level	
Terminal	Setting	Level	Terminal	Setting	OUTPUT Level	
INPUT1 XLR (Balanced)	LEVEL control: MAX	-51	STEREO OUT L	—	+14 +/-2	1
	LEVEL control: MAX	-51	STEREO OUT R	—	+14 +/-2	2
	LEVEL control: MAX	-51	REC OUT L	—	+1.5 +/-2	17
	LEVEL control: MAX	-51	REC OUT R	—	+1.5 +/-2	18
	LEVEL control: MAX	-51	STEREO OUT L/MONO	Unplug the STEREO OUT R	+14 +/-2	
	LEVEL control: MAX, MIC/LINE switch: ON (LINE)	-21	STEREO OUT L	—	+14 +/-2	
	LEVEL control: MAX, AUX1 LEVEL control: MAX	-51	AUX1 SEND	—	+14 +/-2	3
INPUT1 PHONE (Balanced)	LEVEL control: MAX, AUX2/FX LEVEL control: MAX	-51	AUX2 SEND	—	+14 +/-2	4
	LEVEL control: MAX	-41	STEREO OUT L	—	+14 +/-2	
	LEVEL control: MAX, MIC/LINE switch: ON (LINE)	-11	STEREO OUT L	—	+14 +/-2	
INPUT2 XLR (Balanced)	LEVEL control: MAX, COMP control: MAX	-51	STEREO OUT L	—	+11 +/-2.5	
	LEVEL control: MAX	-51	STEREO OUT L	—	+14 +/-2	
	LEVEL control: MAX	-51	STEREO OUT R	—	+14 +/-2	
	LEVEL control: MAX, MIC/LINE switch: ON (LINE)	-21	STEREO OUT L	—	+14 +/-2	
	LEVEL control: MAX, AUX1 LEVEL control: MAX	-51	AUX1 SEND	—	+14 +/-2	
INPUT2 PHONE (Balanced)	LEVEL control: MAX, AUX2/FX LEVEL control: MAX	-51	AUX2 SEND	—	+14 +/-2	
	LEVEL control: MAX	-41	STEREO OUT L	—	+14 +/-2	
	LEVEL control: MAX, MIC/LINE switch: ON (LINE)	-11	STEREO OUT L	—	+14 +/-2	
INPUT3 XLR (Balanced)	LEVEL control: MAX, COMP control: MAX	-51	STEREO OUT L	—	+11 +/-2.5	
	LEVEL control: MAX	-51	STEREO OUT L	—	+14 +/-2	6
	LEVEL control: MAX	-51	STEREO OUT R	—	+14 +/-2	
	LEVEL control: MAX, MIC/LINE switch: ON (LINE)	-21	STEREO OUT L	—	+14 +/-2	
	LEVEL control: MAX, AUX1 LEVEL control: MAX	-51	AUX1 SEND	—	+14 +/-2	
INPUT3 PHONE (Balanced)	LEVEL control: MAX, AUX2/FX LEVEL control: MAX	-51	AUX2 SEND	—	+14 +/-2	
	LEVEL control: MAX	-41	STEREO OUT L	—	+14 +/-2	
	LEVEL control: MAX, MIC/LINE switch: ON (LINE)	-11	STEREO OUT L	—	+14 +/-2	
INPUT4 XLR (Balanced)	LEVEL control: MAX, COMP control: MAX	-51	STEREO OUT L	—	+11 +/-2.5	
	LEVEL control: MAX	-51	STEREO OUT L	—	+14 +/-2	7
	LEVEL control: MAX	-51	STEREO OUT R	—	+14 +/-2	
	LEVEL control: MAX, MIC/LINE switch: ON (LINE)	-21	STEREO OUT L	—	+14 +/-2	
	LEVEL control: MAX, AUX1 LEVEL control: MAX	-51	AUX1 SEND	—	+14 +/-2	
INPUT4 PHONE (Unbalanced)	LEVEL control: MAX, AUX2/FX LEVEL control: MAX	-51	AUX2 SEND	—	+14 +/-2	
	LEVEL control: MAX	-41	STEREO OUT L	—	+14 +/-2	
	LEVEL control: MAX, MIC/LINE switch: ON (LINE)	-11	STEREO OUT L	—	+14 +/-2	
INPUT4 PHONE (Balanced)	LEVEL control: MAX, COMP control: MAX	-51	STEREO OUT L	—	+11 +/-2.5	
	LEVEL control: MAX, Hi-Z IN switch ON Signal impedance: 10kΩ (Unbalanced)	-41	STEREO OUT L	—	+14.5 +/-2	8
INPUT5/6 XLR (Balanced)	LEVEL control: MAX	-51	STEREO OUT L	—	+14 +/-2	9
	LEVEL control: MAX	-51	STEREO OUT R	—	+14 +/-2	10
	LEVEL control: MAX, AUX1 LEVEL control: MAX	-51	AUX1 SEND	—	+17 +/-2	
	LEVEL control: MAX, AUX2/FX LEVEL control: MAX	-51	AUX2 SEND	—	+17 +/-2	

Measurement condition					Criteria	No.
INPUT			OUTPUT			
Terminal	Setting	Level	Terminal	Setting	OUTPUT Level	
INPUT5 (L) PHONE (Unbalanced)	LEVEL control: MAX	-11	STEREO OUT L	—	+14 +/-2	
	LEVEL control: MAX, AUX1 LEVEL control: MAX	-11	AUX1 SEND	—	+11 +/-2	
	LEVEL control: MAX, AUX2/FX LEVEL control: MAX	-11	AUX2 SEND	—	+11 +/-2	
INPUT5 (L/MONO) PHONE (Unbalanced)	LEVEL control: MAX, Unplug the INPUT6(R)	-11	STEREO OUT L	—	+14 +/-2	
	LEVEL control: MAX, Unplug the INPUT6(R)	-11	STEREO OUT R	—	+14 +/-2	
INPUT6 (R) PHONE (Unbalanced)	LEVEL control: MAX	-11	STEREO OUT R	—	+14 +/-2	
	LEVEL control: MAX, AUX1 LEVEL control: MAX	-11	AUX1 SEND	—	+11 +/-2	
	LEVEL control: MAX, AUX2/FX LEVEL control: MAX	-11	AUX2 SEND	—	+11 +/-2	
INPUT7/8 XLR (Balanced)	LEVEL control: MAX	-51	STEREO OUT L	—	+14 +/-2	11
	LEVEL control: MAX	-51	STEREO OUT R	—	+14 +/-2	12
	LEVEL control: MAX, AUX1 LEVEL control: MAX	-51	AUX1 SEND	—	+17 +/-2	
	LEVEL control: MAX, AUX2/FX LEVEL control: MAX	-51	AUX2 SEND	—	+17 +/-2	
INPUT7 (L) PHONE (Unbalanced)	LEVEL control: MAX	-11	STEREO OUT L	—	+14 +/-2	
	LEVEL control: MAX, AUX1 LEVEL control: MAX	-11	AUX1 SEND	—	+11 +/-2	
	LEVEL control: MAX, AUX2/FX LEVEL control: MAX	-11	AUX2 SEND	—	+11 +/-2	
INPUT7(L/MONO) PHONE (Unbalanced)	LEVEL control: MAX, Unplug the INPUT8(R)	-11	STEREO OUT L	—	+14 +/-2	
	LEVEL control: MAX, Unplug the INPUT8(R)	-11	STEREO OUT R	—	+14 +/-2	
INPUT8 (R) PHONE (Unbalanced)	LEVEL control: MAX	-11	STEREO OUT R	—	+14 +/-2	
	LEVEL control: MAX, AUX1 LEVEL control: MAX	-11	AUX1 SEND	—	+11 +/-2	
	LEVEL control: MAX, AUX2/FX LEVEL control: MAX	-11	AUX2 SEND	—	+11 +/-2	
INPUT9/10 XLR (Balanced)	LEVEL control: MAX	-51	STEREO OUT L	—	+14 +/-2	13
	LEVEL control: MAX	-51	STEREO OUT R	—	+14 +/-2	14
	LEVEL control: MAX, AUX1 LEVEL control: MAX	-51	AUX1 SEND	—	+17 +/-2	
	LEVEL control: MAX, AUX2/FX LEVEL control: MAX	-51	AUX2 SEND	—	+17 +/-2	
INPUT9 (L) RCA PIN	LEVEL control: MAX	+2.2	STEREO OUT L	—	+14 +/-2	
	LEVEL control: MAX, AUX1 LEVEL control: MAX	+2.2	AUX1 SEND	—	+11 +/-2	
	LEVEL control: MAX, AUX2/FX LEVEL control: MAX	+2.2	AUX2 SEND	—	+11 +/-2	
INPUT10 (R) RCA PIN	LEVEL control: MAX	+2.2	STEREO OUT R	—	+14 +/-2	
	LEVEL control: MAX, AUX1 LEVEL control: MAX	+2.2	AUX1 SEND	—	+11 +/-2	
	LEVEL control: MAX, AUX2/FX LEVEL control: MAX	+2.2	AUX2 SEND	—	+11 +/-2	
INPUT11/12 XLR (Balanced)	LEVEL control: MAX	-51	STEREO OUT L	—	+14 +/-2	15
	LEVEL control: MAX	-51	STEREO OUT R	—	+14 +/-2	16
	LEVEL control: MAX, AUX1 LEVEL control: MAX	-51	AUX1 SEND	—	+17 +/-2	
	LEVEL control: MAX, AUX2/FX LEVEL control: MAX	-51	AUX2 SEND	—	+17 +/-2	
INPUT11 (L) RCA PIN	LEVEL control: MAX	+2.2	STEREO OUT L	—	+14 +/-2	
	LEVEL control: MAX, AUX1 LEVEL control: MAX	+2.2	AUX1 SEND	—	+11 +/-2	
	LEVEL control: MAX, AUX2/FX LEVEL control: MAX	+2.2	AUX2 SEND	—	+11 +/-2	
INPUT12 (R) RCA PIN	LEVEL control: MAX	+2.2	STEREO OUT R	—	+14 +/-2	
	LEVEL control: MAX, AUX1 LEVEL control: MAX	+2.2	AUX1 SEND	—	+11 +/-2	
	LEVEL control: MAX, AUX2/FX LEVEL control: MAX	+2.2	AUX2 SEND	—	+11 +/-2	
INPUT11 (L) Mini JACK	LEVEL control: MAX	+2.2	STEREO OUT L	—	+14 +/-2	
INPUT12 (R) Mini JACK	LEVEL control: MAX	+2.2	STEREO OUT R	—	+14 +/-2	

2-1-2. Connection confirm

To measure the output level in each signal path of No.1-4, in “Table 2.1”.

Model	Check part
EMX5	No.1,2
EMX7	No.1-4

2-1-3. Total Harmonic Distortion

To measure the following in each signal path of No.1-7,9-16 in “Table 2.1”.

Measurement condition		Criteria
Signal Frequency		Measure the THD of the output terminals.
1kHz		0.3% or less.

*Use the filter of 20kHz or 22kHz LPF for the measurement.

2-1-4. Maximum Output Level

To measure the following in each signal path of No.1-4, 17, 18 in “Table 2.1”.

Measurement condition		Criteria
Signal Frequency	OUTPUT Level	Measure the THD of the output terminals.
1kHz	+20dBu	1% or less.

2-1-5. Equivalent Input Noise

To measure the following in each signal path of No.1, 5, 6, 7, 9, 11, 13, 15 in “Table 2.1”.

Measurement condition		Criteria
Input terminal	Low pass filter	To measure the output voltage by average value.
150 ohms Balanced short	Use 20kHz or 22kHz LPF.	-49dBu or less.

If it is over than -49dBu, calculate the input converted noise level (= noise level - gain) and it shall be -114dBu or less.

2-1-6. Output Noise

To measure the following in each signal path of No.1-4 in “Table 2.1”.

Measurement condition		Criteria		
MASTER LEVEL control	Low pass filter	Output terminal	To measure the output voltage by average value.	
			EMX5	EMX7
STEREO LEVEL control MIN	Use 20kHz or 22kHz LPF.	STEREO OUT L	-81dBu or less.	-81dBu or less.
AUX1 LEVEL control MIN		STEREO OUT R		
AUX2 LEVEL control MIN		AUX1 SEND	-90dBu or less.	
		AUX2 SEND		

2-1-7. PHANTOM Power

Measurement condition		Criteria
INPUT 1 XLR connector	PHANTOM switch	The voltage of load resistance is measured.
Load resistance 3.3kohms is connected between the terminals 1-2. Between the terminals 2-3 is short-circuited.	ON	It is within the range of 21.3V - 24.3V.

2-1-8. FX SIG LED light-up Confirmation (EMX7 only)

In the state of No.4 in “Table 2.1”.

Measurement condition		Criteria
Signal Frequency	INPUT LEVEL	
1kHz	-62	Lighting of signal LED "FX" is checked.

2-1-9. OUTPUT MUTE

Measure the following in each signal path of No.1 in “Table 2.1”.

Measurement condition		Criteria	
		Output terminal	Measure the output level.
Run the test program [MUTE AMUTE]		STEREO OUT L	-26dBu or less.

Execute the command [FW COMPLETE] after this inspection.

2-2. A power supply and a fan operation check

2-2-1. Power consumption while idling

Measurement condition	Criteria
Input signal	Measure the primary power consumption.
No signal	Primary power consumption : 45W or less

2-2-2. Check the operation of the FAN

Measurement condition	Criteria
Execute the command [FAN HI].	Fan is fast rotating.

Execute the command [FW COMPLETE] after this inspection.

2-3. Power amplifier section

- Input signal is input from XLR terminal of INPUT1 at inspection of Power amplifier section.

2-3-1. Frequency Response

Measurement condition	Criteria	
Signal Frequency	Output terminal	
1kHz	SPEAKER A,B	Measure the OUTPUT Level V_o .
40Hz		The range of -3 +/-2.0dB based on V_o .
20kHz		The range of -2 +/-2.0dB based on V_o .

Caution: Setting of MIC/LINE switch should to be LINE setting.

2-3-2. Total Harmonic Distortion (THD+N)

Measurement condition	Criteria
Adjust input level. Output power become to be following value. EMX7 : 26.0dBu EMX5 : 24.3dBu	Measure THD+N of SPEAKER output A and B. 0.1% less

2-3-3. Maximum Output

Measurement condition	Criteria
Input signal is -23dBu, 250Hz, 20ms burst waveform “See following Fig. 2.3”.	Output amplitude of V_h value is below. EMX7: V_h range is within 129.0Vpp ~ 150.0Vpp. EMX5: V_h range is within 120.0Vpp ~ 135.0Vpp.

250Hz 20ms burst sin wave and check item

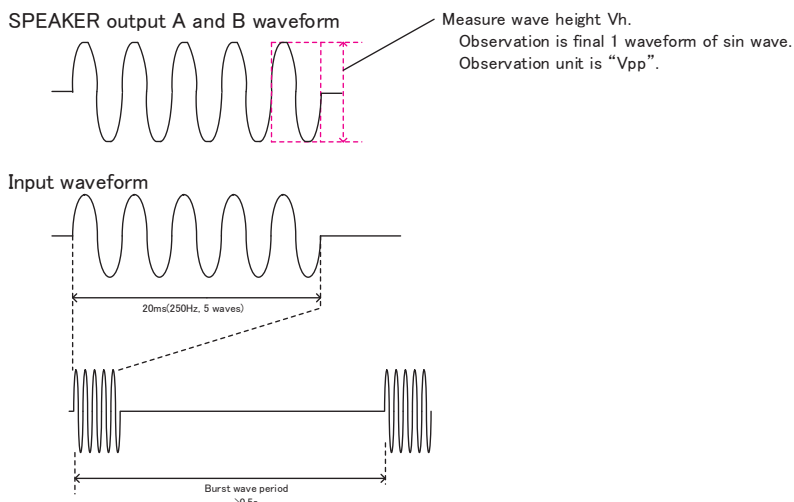


Fig. 2.3

2-3-4. Residual Noise

Measurement condition	Criteria
Set to STEREO LEVEL knob min. position.	Measure Residual Noise of SPEAKER output A and B. -60dBu less

2-3-5. /AMPMUTE_L, /AMPMUTE_R

Measurement condition	Criteria	
	Output terminal	Measure the output level.
Execute the command [MUTE AMP_L]	SPEAKER A	-60dBu or less.
Execute the command [MUTE AMP_R]	SPEAKER B	-60dBu or less.

Execute the command [FW COMPLETE] after this inspection.

2-3-6. DC Protection

Measurement condition	Criteria
Execute the command [MUTE AMP_L]. Voltage value of 12V via resistor* is input to Speaker Ach from DC power supply. *It is necessary to use resistor 1k ohm/2W.	AC power is less than 10W.

Execute the command [FW COMPLETE] after this inspection.

Caution : It is necessary to connect the mute period only DC voltage source Otherwise.

2-3-7. Power Limit (Soft)

Measurement condition	Criteria
Adjust input level. Output power become to be following value. EMX7: 25.4dBu EMX5: 24.3dBu Execute the command [AMPIF POWER_A] and [AMPIF POWER_B].	The result must be PASS.

Execute the command [FW COMPLETE] after this inspection.

2-3-8. DC OFFSET

Measurement condition	Criteria
Set to STEREO LEVEL knob min. position.	Measure DC OFFSET of SPEAKER output A and B. Within ± 20 mV Within ± 20 mV

■ 測定

1. 測定条件

1-1. 環境

常温：5～40℃

常湿：30～90%

注意) 『測定結果が検査基準内であれば、温度:5～40℃、湿度:20～90%の測定条件で可とする。但し、検査基準をはずれた場合は常温、常湿で再測定のこと』

1-2. 必要なPCとケーブル

- パソコン 1 台
Windows 7 SP1 USB ポート有り
- USB ケーブル 1式
PCとEMX7もしくはEMX5を接続します。

1-3. 測定器

- 検査に使用する測定器は、本文中に記載の規格を十分精度良く測定できる精度及び確度を持つものを使用してください。

1-4. 接続方法

PCとEMX7もしくはEMX5をUSBケーブルで接続します。

テストプログラム[1-3. 接続方法](55ページ)を参照してください。

計測器の接続に関しては、測定「1-5. 準備」(69ページ)を参照してください。

1-5. 準備

- 0dBu=0.775Vrms とします。
- 特に指定の無い場合、入力信号は1kHz正弦波とします。
- 信号源インピーダンスは150 ohms以下とします。
(バランスまたはアンバランス)
- ミキサー部を測定する場合、各出力端子の負荷抵抗は下記に従ってください。
10k ohms (アンバランス)
SPEAKERS OUT には負荷抵抗を接続しないでください。
- パワーアンプ部を測定する場合、各出力端子の負荷抵抗は下記に従ってください。
SPEAKERS (A/B): 4 ohms / 250W以上(アンバランス) (測定時のみ接続)
負荷抵抗と測定器の接続は図1.5を参考にしてください。
- パワーアンプ部を測定する場合、ローパスフィルターはAudio Precision社製AUX-0025と22kHzを使用してください。
- 検査用コマンドについては、コマンド一覧 (78ページ)を参照してください。
- 検査の前に、コマンド“EEPROM INIT_**”で、設定を初期化してください。
(** --- EMX7 : GEQ, SP, LCD, and FX,
EMX5 : FX)

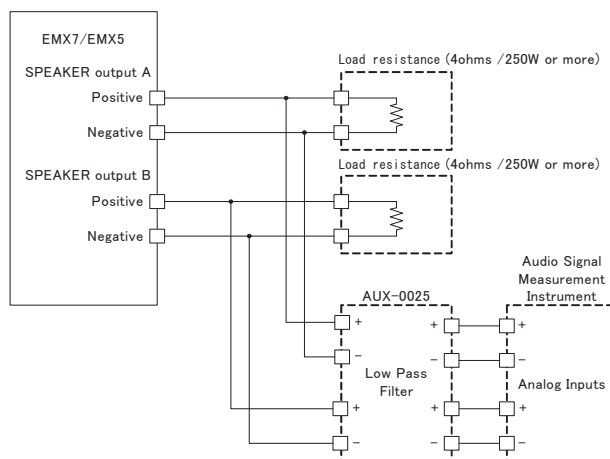


図1.5

1-6. 操作子の設定

特に指定の無い場合、ツマミ類は以下のように設定します。

- CH INPUT (1-4, 5/6-11/12)
MIC/LINE switch (INPUT 1) :OFF (MIC) ----
Measuring the Mixer section.
:ON (LINE) ---- Measuring the Power AMP section.
- MIC/LINE switch (INPUT 2-4) :OFF (MIC)
- HPF switch (INPUT 1-3) :OFF
- Hi-Z switch (INPUT 4) :OFF
- COMP control (INPUT 1-4) :MIN (0)
- LEVEL control (INPUT 1) :MIN (0) ----
Measuring the Mixer section.
MAX (10)---- Measuring the Power AMP section.
- LEVEL control (INPUT 2-12) :MIN (0)
- AUX1 level control (INPUT 1-12) :MIN (0)
- AUX2 level control (INPUT 1-12) :MIN (0)
- HIGH gain control (INPUT 1-12) :CENTER
(click position)
- MID gain control (INPUT 1-12) :CENTER (click position)
- LOW gain control (INPUT 1-12) :CENTER
(click position)
- MASTER
STEREO LEVEL control :MAX (10)
- MASTER EQ control :Center(click position)
(EMX5のみ)
- AUX1 SEND MONITOR EQ switch :OFF
(EMX5のみ)
- AUX2 SEND MONITOR EQ switch :OFF
(EMX5のみ)
- STEREO GEQ ACCESS switch :OFF (EMX7のみ)
- AUX1 GEQ ACCESS switch :OFF (EMX7のみ)
- AUX2 GEQ ACCESS switch :OFF (EMX7のみ)
- AUX1 SEND LEVEL control :MAX (10)
- AUX2 SEND LEVEL control :MAX (10)

・FX

FX ON switch :OFF
 FX RTN AUX1 control :MIN (0)
 FX RTN LEVEL control :MIN (0)
 PROGRAM encoder :Unspecified
 PARAMETER control :MIN (0)

・OTHERS

PHANTOM switch :OFF
 STAND-BY switch :OFF
 AMPLIFIRE MODE switch :STEREO (EMX5のみ)
 FEEDBACK SUPPRESSOR switch :OFF
 METER SELECT switch :L/R (EMX7のみ)
 CONTROL encoder :Unspecified (EMX7のみ)

2. 検査項目

2-1. ミキサ一部

2-1-1. 利得表

[表 2.1]の設定にしたときの出力レベル。

表 2.1 単位[dBu]

測定条件			INPUT		OUTPUT		判断基準	No.
Terminal	Setting	Level	Terminal	Setting	OUTPUT Level			
INPUT1 XLR (Balanced)	LEVEL control: MAX	-51	STEREO OUT L	—	+14 +/-2	1		
	LEVEL control: MAX	-51	STEREO OUT R	—	+14 +/-2	2		
	LEVEL control: MAX	-51	REC OUT L	—	+1.5 +/-2	17		
	LEVEL control: MAX	-51	REC OUT R	—	+1.5 +/-2	18		
	LEVEL control: MAX	-51	STEREO OUT L/MONO	Unplug the STEREO OUT R	+14 +/-2			
	LEVEL control: MAX, MIC/LINE switch: ON (LINE)	-21	STEREO OUT L	—	+14 +/-2			
	LEVEL control: MAX, AUX1 LEVEL control: MAX	-51	AUX1 SEND	—	+14 +/-2	3		
LEVEL control: MAX, AUX2/FX LEVEL control: MAX	-51	AUX2 SEND	—	+14 +/-2	4			
INPUT1 PHONE (Balanced)	LEVEL control: MAX	-41	STEREO OUT L	—	+14 +/-2			
	LEVEL control: MAX, MIC/LINE switch: ON (LINE)	-11	STEREO OUT L	—	+14 +/-2			
	LEVEL control: MAX, COMP control: MAX	-51	STEREO OUT L	—	+11 +/-2.5			
INPUT2 XLR (Balanced)	LEVEL control: MAX	-51	STEREO OUT L	—	+14 +/-2			
	LEVEL control: MAX	-51	STEREO OUT R	—	+14 +/-2			
	LEVEL control: MAX, MIC/LINE switch: ON (LINE)	-21	STEREO OUT L	—	+14 +/-2			
	LEVEL control: MAX, AUX1 LEVEL control: MAX	-51	AUX1 SEND	—	+14 +/-2			
	LEVEL control: MAX, AUX2/FX LEVEL control: MAX	-51	AUX2 SEND	—	+14 +/-2			
INPUT2 PHONE (Balanced)	LEVEL control: MAX	-41	STEREO OUT L	—	+14 +/-2			
	LEVEL control: MAX, MIC/LINE switch: ON (LINE)	-11	STEREO OUT L	—	+14 +/-2			
	LEVEL control: MAX, COMP control: MAX	-51	STEREO OUT L	—	+11 +/-2.5			
INPUT3 XLR (Balanced)	LEVEL control: MAX	-51	STEREO OUT L	—	+14 +/-2	6		
	LEVEL control: MAX	-51	STEREO OUT R	—	+14 +/-2			
	LEVEL control: MAX, MIC/LINE switch: ON (LINE)	-21	STEREO OUT L	—	+14 +/-2			
	LEVEL control: MAX, AUX1 LEVEL control: MAX	-51	AUX1 SEND	—	+14 +/-2			
	LEVEL control: MAX, AUX2/FX LEVEL control: MAX	-51	AUX2 SEND	—	+14 +/-2			
INPUT3 PHONE (Balanced)	LEVEL control: MAX	-41	STEREO OUT L	—	+14 +/-2			
	LEVEL control: MAX, MIC/LINE switch: ON (LINE)	-11	STEREO OUT L	—	+14 +/-2			
	LEVEL control: MAX, COMP control: MAX	-51	STEREO OUT L	—	+11 +/-2.5			
INPUT4 XLR (Balanced)	LEVEL control: MAX	-51	STEREO OUT L	—	+14 +/-2	7		
	LEVEL control: MAX	-51	STEREO OUT R	—	+14 +/-2			
	LEVEL control: MAX, MIC/LINE switch: ON (LINE)	-21	STEREO OUT L	—	+14 +/-2			
	LEVEL control: MAX, AUX1 LEVEL control: MAX	-51	AUX1 SEND	—	+14 +/-2			
	LEVEL control: MAX, AUX2/FX LEVEL control: MAX	-51	AUX2 SEND	—	+14 +/-2			
INPUT4 PHONE (Unbalanced)	LEVEL control: MAX	-41	STEREO OUT L	—	+14 +/-2			
	LEVEL control: MAX, MIC/LINE switch: ON (LINE)	-11	STEREO OUT L	—	+14 +/-2			
	LEVEL control: MAX, COMP control: MAX	-51	STEREO OUT L	—	+11 +/-2.5			
INPUT4 PHONE (Balanced)	LEVEL control: MAX, Hi-Z IN switch ON Signal impedance: 10kΩ (Unbalanced)	-41	STEREO OUT L	—	+14.5 +/-2	8		
INPUT5/6 XLR (Balanced)	LEVEL control: MAX	-51	STEREO OUT L	—	+14 +/-2	9		
	LEVEL control: MAX	-51	STEREO OUT R	—	+14 +/-2	10		
	LEVEL control: MAX, AUX1 LEVEL control: MAX	-51	AUX1 SEND	—	+17 +/-2			
	LEVEL control: MAX, AUX2/FX LEVEL control: MAX	-51	AUX2 SEND	—	+17 +/-2			

測定条件						判断基準	No.
INPUT			OUTPUT		OUTPUT Level		
Terminal	Setting	Level	Terminal	Setting			
INPUT5 (L) PHONE (Unbalanced)	LEVEL control: MAX	-11	STEREO OUT L	—	+14 +/-2		
	LEVEL control: MAX, AUX1 LEVEL control: MAX	-11	AUX1 SEND	—	+11 +/-2		
	LEVEL control: MAX, AUX2/FX LEVEL control: MAX	-11	AUX2 SEND	—	+11 +/-2		
INPUT5 (L/MONO) PHONE (Unbalanced)	LEVEL control: MAX, Unplug the INPUT6(R)	-11	STEREO OUT L	—	+14 +/-2		
	LEVEL control: MAX, Unplug the INPUT6(R)	-11	STEREO OUT R	—	+14 +/-2		
INPUT6 (R) PHONE (Unbalanced)	LEVEL control: MAX	-11	STEREO OUT R	—	+14 +/-2		
	LEVEL control: MAX, AUX1 LEVEL control: MAX	-11	AUX1 SEND	—	+11 +/-2		
	LEVEL control: MAX, AUX2/FX LEVEL control: MAX	-11	AUX2 SEND	—	+11 +/-2		
INPUT7/8 XLR (Balanced)	LEVEL control: MAX	-51	STEREO OUT L	—	+14 +/-2	11	
	LEVEL control: MAX	-51	STEREO OUT R	—	+14 +/-2	12	
	LEVEL control: MAX, AUX1 LEVEL control: MAX	-51	AUX1 SEND	—	+17 +/-2		
	LEVEL control: MAX, AUX2/FX LEVEL control: MAX	-51	AUX2 SEND	—	+17 +/-2		
INPUT7 (L) PHONE (Unbalanced)	LEVEL control: MAX	-11	STEREO OUT L	—	+14 +/-2		
	LEVEL control: MAX, AUX1 LEVEL control: MAX	-11	AUX1 SEND	—	+11 +/-2		
	LEVEL control: MAX, AUX2/FX LEVEL control: MAX	-11	AUX2 SEND	—	+11 +/-2		
INPUT7(L/MONO) PHONE (Unbalanced)	LEVEL control: MAX, Unplug the INPUT8(R)	-11	STEREO OUT L	—	+14 +/-2		
	LEVEL control: MAX, Unplug the INPUT8(R)	-11	STEREO OUT R	—	+14 +/-2		
INPUT8 (R) PHONE (Unbalanced)	LEVEL control: MAX	-11	STEREO OUT R	—	+14 +/-2		
	LEVEL control: MAX, AUX1 LEVEL control: MAX	-11	AUX1 SEND	—	+11 +/-2		
	LEVEL control: MAX, AUX2/FX LEVEL control: MAX	-11	AUX2 SEND	—	+11 +/-2		
INPUT9/10 XLR (Balanced)	LEVEL control: MAX	-51	STEREO OUT L	—	+14 +/-2	13	
	LEVEL control: MAX	-51	STEREO OUT R	—	+14 +/-2	14	
	LEVEL control: MAX, AUX1 LEVEL control: MAX	-51	AUX1 SEND	—	+17 +/-2		
	LEVEL control: MAX, AUX2/FX LEVEL control: MAX	-51	AUX2 SEND	—	+17 +/-2		
INPUT9 (L) RCA PIN	LEVEL control: MAX	+2.2	STEREO OUT L	—	+14 +/-2		
	LEVEL control: MAX, AUX1 LEVEL control: MAX	+2.2	AUX1 SEND	—	+11 +/-2		
	LEVEL control: MAX, AUX2/FX LEVEL control: MAX	+2.2	AUX2 SEND	—	+11 +/-2		
INPUT10 (R) RCA PIN	LEVEL control: MAX	+2.2	STEREO OUT R	—	+14 +/-2		
	LEVEL control: MAX, AUX1 LEVEL control: MAX	+2.2	AUX1 SEND	—	+11 +/-2		
	LEVEL control: MAX, AUX2/FX LEVEL control: MAX	+2.2	AUX2 SEND	—	+11 +/-2		
INPUT11/12 XLR (Balanced)	LEVEL control: MAX	-51	STEREO OUT L	—	+14 +/-2	15	
	LEVEL control: MAX	-51	STEREO OUT R	—	+14 +/-2	16	
	LEVEL control: MAX, AUX1 LEVEL control: MAX	-51	AUX1 SEND	—	+17 +/-2		
	LEVEL control: MAX, AUX2/FX LEVEL control: MAX	-51	AUX2 SEND	—	+17 +/-2		
INPUT11 (L) RCA PIN	LEVEL control: MAX	+2.2	STEREO OUT L	—	+14 +/-2		
	LEVEL control: MAX, AUX1 LEVEL control: MAX	+2.2	AUX1 SEND	—	+11 +/-2		
	LEVEL control: MAX, AUX2/FX LEVEL control: MAX	+2.2	AUX2 SEND	—	+11 +/-2		
INPUT12 (R) RCA PIN	LEVEL control: MAX	+2.2	STEREO OUT R	—	+14 +/-2		
	LEVEL control: MAX, AUX1 LEVEL control: MAX	+2.2	AUX1 SEND	—	+11 +/-2		
	LEVEL control: MAX, AUX2/FX LEVEL control: MAX	+2.2	AUX2 SEND	—	+11 +/-2		
INPUT11 (L) Mini JACK	LEVEL control: MAX	+2.2	STEREO OUT L	—	+14 +/-2		
INPUT12 (R) Mini JACK	LEVEL control: MAX	+2.2	STEREO OUT R	—	+14 +/-2		

2-1-2. 接続確認

[表2.1]のNo.1~4,の各信号経路で出力レベルを測定します。

Model	Check part
EMX5	No.1,2
EMX7	No.1-4

2-1-3. 全高調波歪率

[表2.1]の No.1～7,9～16の各信号経路で以下を測定します。

測定条件		判断基準
Signal Frequency	1kHz	出力端子のTHDを測定。 0.3%以下のこと。

※測定には20kHzまたは22kHzのLPFを使用します。

2-1-4. 最大出力レベル

[表2.1]のNo.1～4,17, 18の各信号経路で以下を測定します。

測定条件		判断基準
Signal Frequency	OUTPUT Level	出力端子のTHDを測定。
1kHz	+20dBu	1%以下のこと。

2-1-5. 入力換算雑音

[表2.1]のNo. 1, 5, 6, 7, 9, 11, 13, 15の各信号経路で以下を測定します。

測定条件		判断基準
Input terminal	Low pass filter	出力電圧を平均値で測定。
150Ωバランスショート	20kHzまたは22kHzのLPFを使用。	-49dBu以下のこと。

ノイズレベルが-49dBu以上の場合は、入力換算でのノイズレベルを求めてそれが-114dBu以下であればよいです。

2-1-6. 出力ノイズ

[表2.1]のNo.1～4の各信号経路で以下を測定します。

測定条件		判断基準		
MASTER LEVEL control	Low pass filter	Output terminal	出力電圧を平均値で測定。	
STEREO LEVEL control MIN	20kHzまたは22kHzのLPFを使用。	STEREO OUT L	EMX5	EMX7
AUX1 LEVEL control MIN		STEREO OUT R	-81dBu以下のこと。	-81dBu以下のこと。
AUX2 LEVEL control MIN		AUX1 SEND	-90dBu以下のこと。	
		AUX2 SEND		

2-1-7. PHANTOM 電源

測定条件		判断基準
INPUT 1 XLR connector	PHANTOM switch	負荷抵抗両端の電圧を測定。
負荷抵抗3.3kΩを端子1-2間に接続します。 端子2-3間を短絡します。	ON	21.3V ~ 24.3Vの範囲内であること。

2-1-8. FX SIG LED 点灯確認 (EMX7のみ)

[表2.1]のNo.4の状態。

測定条件		判断基準
Signal Frequency	INPUT LEVEL	SIG LED“FX”の点灯を確認します。
1kHz	-62	

2-1-9. 出力端子のミュート

[表2.1]の No.1の信号経路で以下を測定します。

測定条件		判断基準	
		Output terminal	出力レベルを測定。
テストプログラムの[MUTE AMUTE]を実行します。		STEREO OUT L	-26dBu以下のこと。

検査後、コマンド[FW COMPLETE]を実施してください。

2-2. 電源とファンの動作確認

2-2-1. アイドリング時の消費電力

測定条件	判断基準
入力信号	一次電力を測定。
無信号	一次消費電力:45W以下のこと。

2-2-2. ファンの動作確認

測定条件	判断基準
コマンド[FAN HI]を実行します。	ファンが高速回転していること。

検査後、コマンド[FW COMPLETE]を実施します。

2-3. パワーアンプ部

- パワーアンプ部の検査では、入力信号は入力1 のXLR端子から入力します。

2-3-1. 周波数特性

測定条件	判断基準	
Signal Frequency	出力端子	
1kHz	SPEAKER A,B	OUTPUT Level V_o を測定。
40Hz		V_o を基準に-3 +/-2.0dBの範囲内のこと。
20kHz		V_o を基準に-2 +/-2.0dBの範囲内のこと。

注意:MIC/LINEスイッチがLINEとなっていること。

2-3-2. 全高調波歪率

測定条件	判断基準
アンプの出力が以下の出力になるように入力を調整します。 EMX7 : 26.0dBu EMX5 : 24.3dBu	スピーカーA,B 出力のTHD+N を測定します。 0.1%以下のこと。

2-3-3. 最大出力

測定条件	判断基準
-23dBu、250Hz、20msのバースト波(以下の図2.3を参照)を入力します。	出力振幅 V_h の値が範囲内であること。 EMX7: V_h の範囲は129.0V _{pp} ~ 150.0V _{pp} . EMX5: V_h の範囲は120.0V _{pp} ~ 135.0V _{pp} .

250Hz 20ms burst sin wave and check item

SPEAKER output A and B waveform



波高値 V_h を測定します。
観測するのは正弦波の最後の1波形です。
観測の単位は、 V_{pp} です。

Input waveform

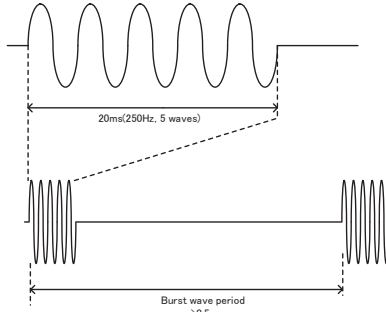


図2.3

2-3-4. 残留ノイズ

測定条件	判断基準
STEREOのLEVELノブをMin.にします。	SPEAKER出力A,Bの残留ノイズを測定します。 -60dBu以下のこと。

2-3-5. /AMPMUTE_L, /AMPMUTE_R

測定条件	判断基準	
	出力端子	出力レベルを測定。
コマンド[MUTE AMP_L]を実行します。	SPEAKER A	-60dBu以下のこと。
コマンド[MUTE AMP_R]を実行します。	SPEAKER B	-60dBu以下のこと。

検査後、コマンド[FW COMPLETE]を実施します。

2-3-6. DC保護

測定条件	判断基準
コマンド[MUTE AMP_L]を実行します。 抵抗*を介して12VをDC電圧源からスピーカーAchに入力します。 *抵抗は1k Ω /2Wを使用します。	交流電源は10W以下となること。

検査後、コマンド[FW COMPLETE]を実施します。

注意: DC電圧源を接続するのはミュート期間のみとします。

2-3-7. パワーリミット(ソフト)

測定条件	判断基準
アンプの出力が以下の出力になるように入力を調整します。 EMX7:25.4dBu EMX5:24.3dBu コマンド[AMPIF POWER_A],[AMPIF POWER_B]を実行します。	結果はPASSであること。

検査後、コマンド[FW COMPLETE]を実施します。

2-3-8. DCオフセット

測定条件	判断基準
STEREOのLEVELノブをMin.にします。	SPEAKER A, B のDC OFFSETを測定します。 $\pm 20\text{mV}$ 以内のこと。

CALIBRATION

[NOTE]

When replacing the following sheet, this calibration is required.

- DMS circuit board, AMP5 circuit board, MIXS circuit board (EMX5)
- DMP circuit board, AMP7 circuit board, MIX7 circuit board (EMX7)

1. Contents

Calibrate AMP output.

2. Required Tools

- Personal Computer 1 unit
Windows 7 SP1 with USB port
- USB cable 1 pc.
The PC is connected with EMX7 or EMX5.
- Measurement Instrument

3. Preparation

Download the latest version of application software for calibration from the YSISS homepage and copy them to personal computer.

- Application for calibration of EMX7/EMX5
EMX_Calibration¥Diag.exe
EMX_Calibration¥Diag.ini

4. How to connection

PC and EMX7 or EMX5 is connected using a USB cable. Refer to “1-3. How to connection” (Page 47) in TEST PROGRAM section.

The measuring instrument is connected to the EMX7 or EMX5.

Regarding connection of measuring instrument, refer to Fig. 1.5 in “1-5. Preparation”(Page 63) in Measurement section.

5. How to install the driver

Refer to “1-4. How to install the driver” (Page 47) in TEST PROGRAM section.

6. How to activate

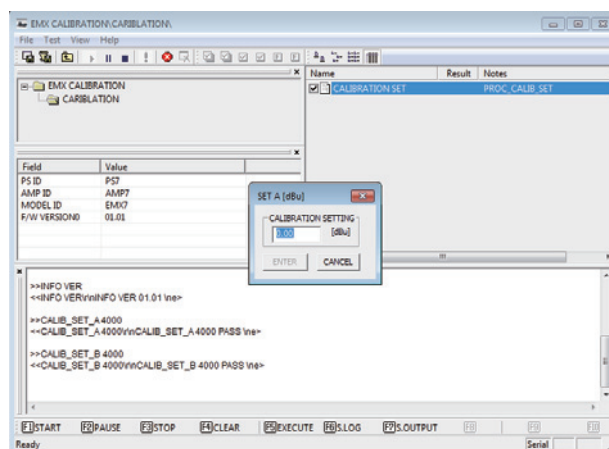
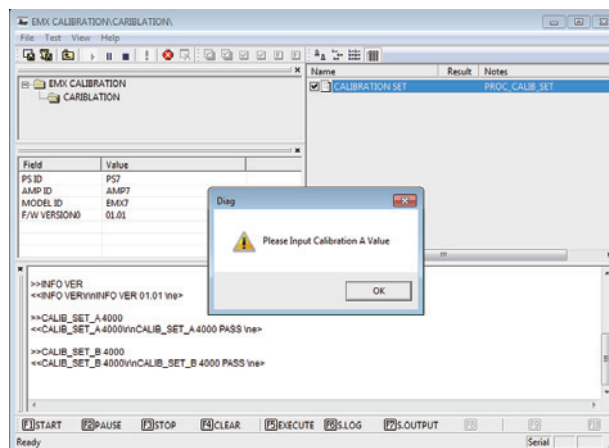
Run application for Calibration (EMX_Calibration¥Diag.exe).

7. How to calibration

- 1) Confirm that [EMX CALIBRATION] is being selected in Tree window.
 - ※ If it's not being selected, select [EMX CALIBRATION].
- 2) Confirm that all objects to be inspected were ticked in List window.
 - ※ If all objects to be inspected are not being ticked, click [All on] button on toolbar.
- 3) Start inspection with one of the following ways.
 - Click [Start] on tool bar.
 - Click [START] of Function key.
 - Press [F1] of keyboard.
 - Click [Test]-[Start] on Menu bar.

7-1. Enter the measured value

- 1) Measure an output level after inputting the following signal.
EMX5 : -52.2dBu
EMX7 : -53.0dBu
- 2) When the required signal input, measure the AMP output signal.
Input this value to dialog box.
The ranges of allowed values are 7.00 – 9.00.



- 3) Gain is adjusted automatically.
 - ※ Adjust both Speaker A and Speaker B.

7-2. Criteria

If the calibration executed properly, “PASS” is displayed in Output window.

■ キャリブレーション

[注意]

以下のシートを交換した場合に当該キャリブレーションが必要です。

- DMSシート、AMP5シート、MIXSシート (EMX5)
- DMPシート、AMP7シート、MIX7シート (EMX7)

1. 内容

アンプ出力を補正します。

2. 必要なもの

- パソコン 1 台
Windows 7 SP1 USB ポート有り
- USB ケーブル 1式
PCとEMX7もしくはEMX5を接続します。
- 計測器

3. 準備

YSISS ホームページから以下のキャリブレーション用アプリケーションの最新版をダウンロードし、パソコンにコピーします。

- EMX7/EMX5キャリブレーション用アプリケーション
EMX_Calibration¥Diag.exe
EMX_Calibration¥Diag.ini

4. 接続方法

PCとEMX7もしくはEMX5をUSBケーブルで接続します。

テストプログラム「1-3. 接続方法」(55ページ)を参照してください。

計測器をEMX7もしくはEMX5と接続します。

計測器の接続に関しては、測定「1-5. 準備」の図1.5 (69ページ)を参照してください。

5. ドライバーのインストール

テストプログラム項目の「1-4. ドライバーのインストール」(55ページ)を参照してください。

6. 起動方法

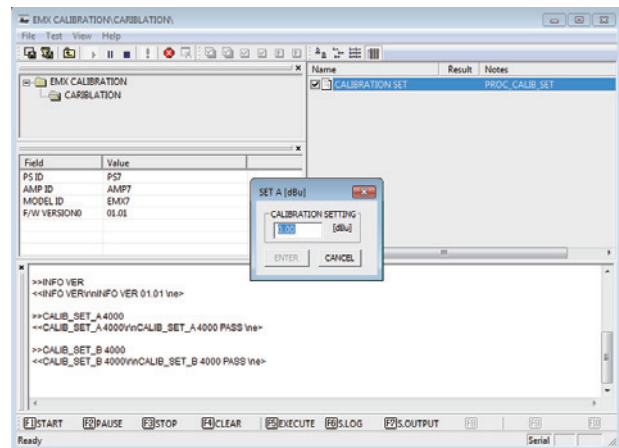
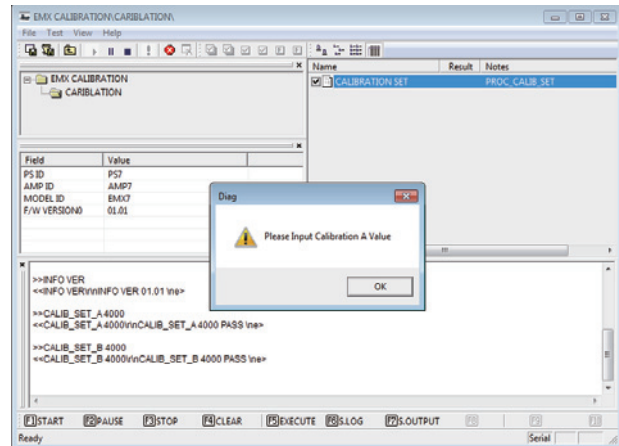
キャリブレーション用アプリケーション(EMX_Calibration¥Diag.exe)を起動します。

7. キャリブレーション方法

- 1) ツリーウィンドウで、[EMX CALIBRATION]が選択されていることを確認します。
※選択されていない場合は、[EMX CALIBRATION]を選択します。
- 2) リストウィンドウで、検査対象の全てにチェック印があることを確認します。
※検査対象の全てにチェック印がない場合は、ツールバーの[All on]のボタンをクリックします。
- 3) 下記のいずれかの方法で検査を開始します。
 - ツールバーの[Start]をクリックします。
 - ファンクションキーの[START]をクリックします。
 - キーボードの[F1]を押します。
 - メニューバーの[Test]-[Start]をクリックします。

7-1. 測定値の入力

- 1) 下記の信号を入力し、出力レベルを測定します。
EMX5: -52.2dBu
EMX7: -53.0dBu
- 2) 計測した値をダイアログボックスに入力します。
入力可能な値の範囲は7.00から9.00です。



- 3) 自動でゲインが調整されます。
※Speaker A, Speaker B の両方を調整します。

7-2. 判断基準

キャリブレーションが正常終了すると、アウトプットウィンドウに「PASS」と表示されます。

LIST OF COMMAND

These commands are used in the Measurement section.

Send the serial commands to the EMX7 or EMX5 by using a PC communications software (example: TeraTerm).

Refer to the Communication setting (Page 50) of “3. The explanation of Application” in TEST PROGRAM section, regarding the communication settings for the communications software on the PC (example: TeraTerm).

PC → EMX7/EMX5 format

<COMMAND> <sp><PARAMETER><cr>	
COMMAND	command
PARAMETER	parameter
<sp>	space (ASCII code) = 20h
<cr>	

EMX7/EMX5 → PC format

<COMMAND><sp><PARAMETER><sp><RESULT><sp><END MARK>	
COMMAND	command
PARAMETER	parameter
RESULT	processing result
<sp>	space (ASCII code) = 20h
<END MARK>	"¥r¥ne" It means that the status of transmission completion.

List of command table for use in the Measurement section

COMMAND	PARAMETER	RESULT	Description
FW	READY COMPLETE	PASS/FAIL	READY: Start of Procedure. COMPLETE: End of Procedure. (Back to the original state of the firmware.)
EEPROM	INIT_GEQ INIT_SP INIT_LCD INIT_FX	PASS/FAIL	To initialize only the settings that are stored in the EEPROM specified in the command.
FAN	HI (highest speed) LO (low speed)	PASS/FAIL	To change the speed of the fan.
MUTE	AMUTE AMP_L AMP_R	PASS/FAIL	To execute each mute.
AMPIF	POWER_A POWER_B	PASS/FAIL	It's command to enable the LIMIT function (LMT0, LMT1) contained in AMP pathway in the DSP.

■ コマンド一覧

コマンドは、測定項目で使用します。

PCの通信ソフトウェア(例:TeraTerm)を使ってシリアルコマンドをEMX7またはEMX5に送信します。

PC上の通信ソフトウェア(例:TeraTerm)の通信設定については、「3. アプリケーション説明」のシリアルポート設定(58ページ)を参照してください。

PC → EMX7/EMX5 format

<COMMAND> <sp><PARAMETER><cr>	
COMMAND	コマンド
PARAMETER	パラメーター
<sp>	アスキーコードのスペース (=20h)
<cr>	

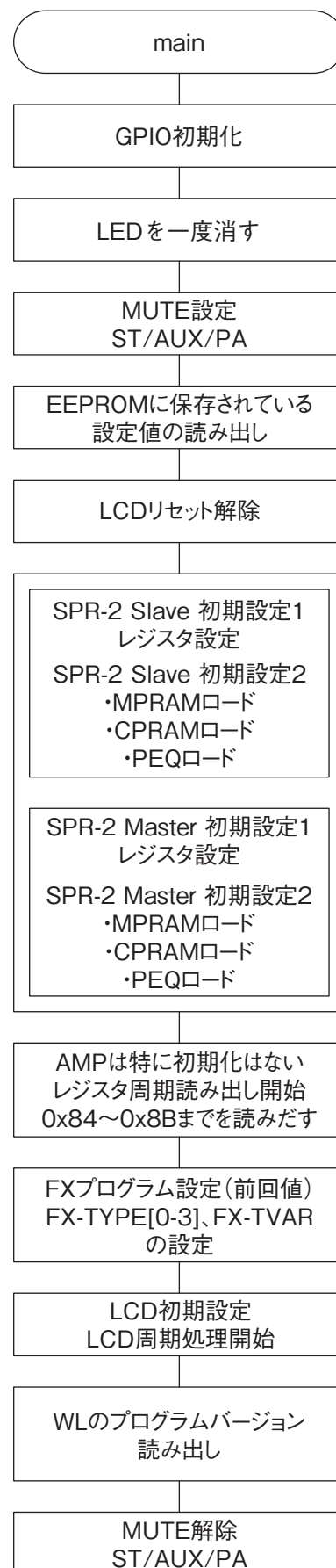
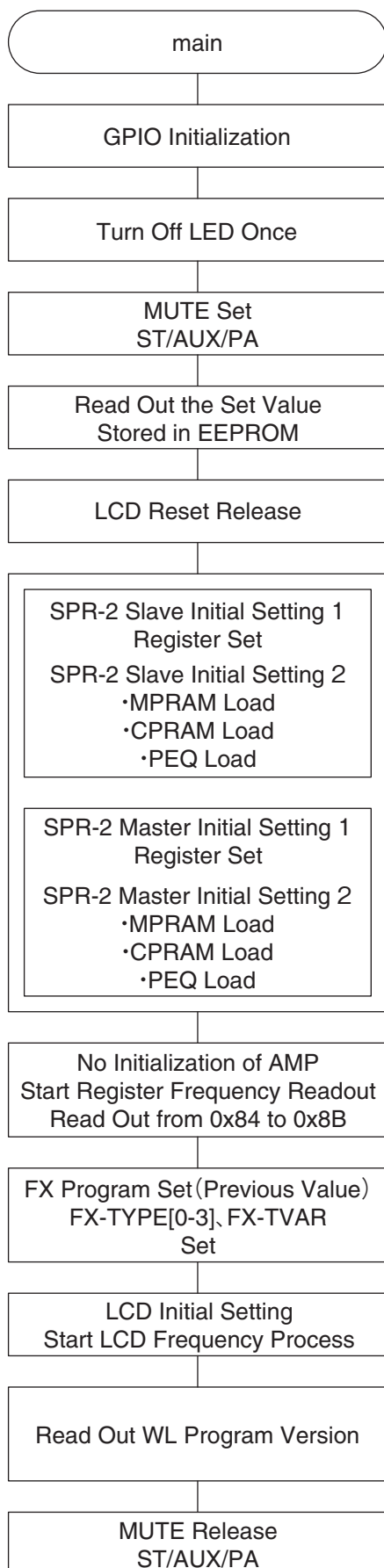
EMX7/EMX5 → PC format

<COMMAND><sp><PARAMETER><sp><RESULT><sp><END MARK>	
COMMAND	コマンド
PARAMETER	パラメーター
RESULT	処理結果
<sp>	アスキーコードのスペース (=20h)
<END MARK>	"¥r¥ne" ステータス送信終了を表します。

測定で使用するコマンド一覧表

コマンド	パラメータ	結果	説明
FW	READY COMPLETE	PASS/FAIL	READYでプロシーダを開始します。 COMPLETEでプロシーダを終了します。 (ファームウェアを元の状態に戻します。)
EEPROM	INIT_GEQ INIT_SP INIT_LCD INIT_FX	PASS/FAIL	コマンドで指定したEEPROMに記録している設定を初期化します。
FAN	HI (最高速) LO (最低速)	PASS/FAIL	ファンの回転数を変更します。
MUTE	AMUTE AMP_L AMP_R	PASS/FAIL	各種経路のミュートをおこないます。
AMPIF	POWER_A POWER_B	PASS/FAIL	DSP内でAMP経路に入っているLIMIT機能(LMT0, LMT1)を有効にするためのコマンドです。

START-UP SEQUENCE (起動シーケンス)



■ RACK MOUNTING

To prepare the EMX7 or EMX5 for rack mounting, use the RK-EMX7 (rack-mount brackets) sold separately. The EMX7 or EMX5 requires 7U* of rack-mount space.

* 7U is approximately 312 mm.

⚠ CAUTION

This mixer is heavy, and should be lifted by two people when mounting onto a rack.

● Precautions for Rack Mounting

The EMX7 or EMX5 is rated for operation at ambient temperatures ranging from 0 to 40 degrees Celsius. If you install the EMX7 or EMX5 along with other devices in a poorly ventilated EIA standard rack, the ambient temperature inside the rack may rise, resulting in inefficient performance. Be sure to rack-mount according to the following conditions so the EMX7 or EMX5 does not overheat.

- When mounting the EMX7 or EMX5 in a rack with devices such as power amplifiers that generate a significant amount of heat, leave more than 1U of space between it and other devices.

Also, either leave the open spaces uncovered or install appropriate ventilating panels to minimize the possibility of heat buildup.

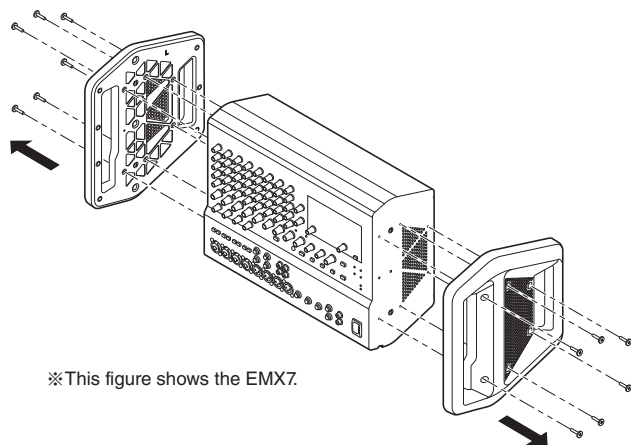
- To ensure sufficient airflow, leave the rear of the rack open. If you have installed a fan kit in the rack, there may be cases in which closing the rear of the rack will produce a greater cooling effect. Refer to the rack and/or fan kit manual for more details.

● Assembly of the Rack-mount Brackets

1. Use a screwdriver to loosen and remove the 12 screws on the EMX7 or EMX5 side pads.

⚠ NOTICE

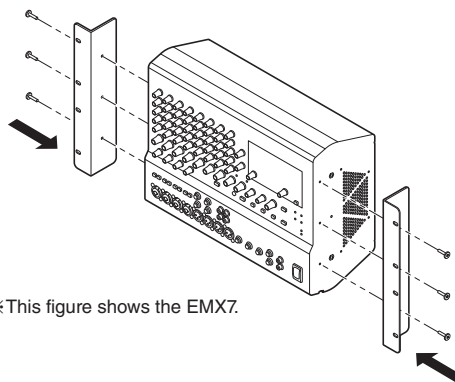
During installing the rack-mount brackets, take care to ensure that the screws do not damage surfaces such as table tops. Place a soft cloth under the EMX7 or EMX5 for protection.



2. Use six of the screws you removed in Step 1 to securely install the RK-EMX7 separately sold (rack-mount brackets) onto the EMX7 or EMX5.

⚠ NOTICE

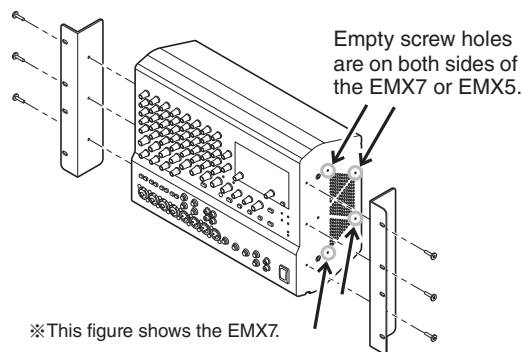
Be sure to use the same screws removed from the mixer in Step 1. Using other screws may cause damage.



3. Carefully store the remaining six screws that are not used in Step 2 so they are not lost. Once the rack-mount brackets are installed there will be a total of eight empty screw holes on the both sides of the EMX7 or EMX5.

⚠ NOTE

Separate screws for actually mounting the EMX7 or EMX5 in a rack are not included with the EMX7 or EMX5.



4. If you wish to remove the rack-mount brackets and reinstall the side pads, ensure that they are installed on the correct sides of the EMX7 or EMX5. The inside surface of the side pads are marked as "L" (Left) or "R" (Right).

■ ラックマウント

別売のRK-EMX7(ラックマウント金具)を使用して、EMX7またはEMX5をラックにマウントできます。EMX7またはEMX5をラックマウントする場合は、7U*のスペースが必要です。

*7Uは約312 mmです。

⚠ 注意

本体は重量が重いので、ラックにマウントする際は、2人で作業することをおすすめします。

● ラックマウント時の注意

EMX7またはEMX5が動作保証する室温は0~40℃です。EMX7またはEMX5を他の機器と一緒にEIA標準のラックにマウントする場合、各機器からの熱でラック内の温度が上昇し、十分な性能を発揮できないことがあります。EMX7またはEMX5に熱がこもらないように、必ず下記の条件でラックにマウントしてください。

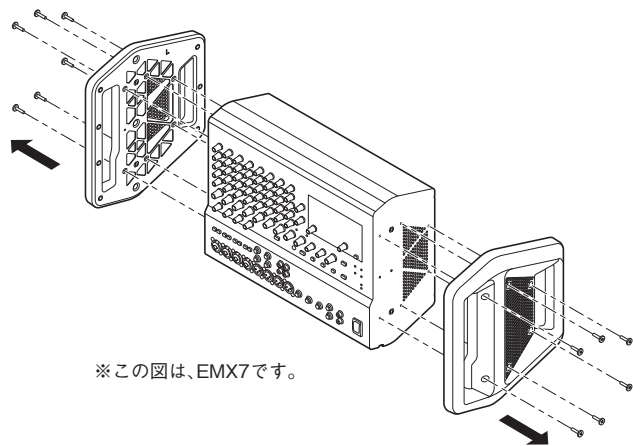
- パワーアンプなどの発熱しやすい機器と一緒にマウントする場合は、他の機器との間を1U以上空けてください。また、このスペースは通風パネルを取り付けたり、開放したりして、十分な通気を確保してください。
- ラックの背面を開放するなどして、十分な通気を確保してください。ラックのファンキットを取り付けた場合は、ラックの背面を閉じた方が放熱効果が大きくなることもあります。詳しくはラックおよびファンキットの取扱説明書をご覧ください。

● ラックマウント金具の取り付け方

1. EMX7またはEMX5のサイドパッドに取り付けられているネジ(計12個)を、ドライバーでゆるめて取り外します。

⚠ 注記

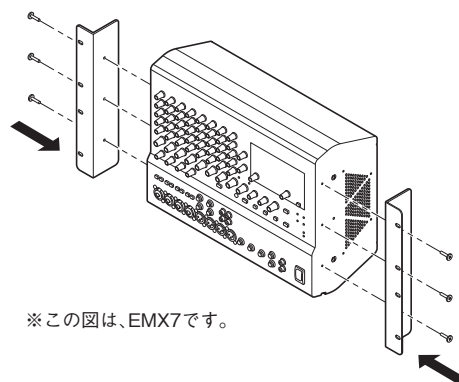
ラックマウント金具取り付け作業時にEMX7またはEMX5のネジで机などを傷つけるおそれがあります。作業時は、やわらかい布などを本体の下に敷いてください。



2. 別売のRK-EMX7(ラックマウント金具)を手順1で取り外したネジ(計6個)を使用して、しっかり固定されるまで締めつけます。

⚠ 注記

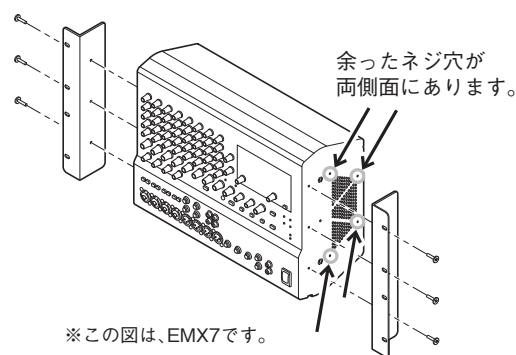
必ずEMX7またはEMX5から外した専用のネジを使用してください。それ以外のネジを使用すると故障の原因になります。



3. 手順2で使用しなかったネジ(計6個)は、紛失しないように大切に保管してください。ラックマウント金具を取り付けると、EMX7またはEMX5に余ったネジ穴が両側面(計8箇所)にできます。

⚠ 注意

ラックに取り付けるためのネジは付属していません。



4. ラックマウント金具を外して、再度サイドパッドを取り付ける際は、左右を確認して取り付けてください。サイドパッドの内側に「L」(左)と「R」(右)の刻印があります。

POWERED MIXER

EMX 7/EMX 5

PARTS LIST

■ CONTENTS (目次)

OVERALL ASSEMBLY (総組立)


EMX7	2
EMX5	7
ELECTRICAL PARTS (電気部品)	12-82

Notes : DESTINATION ABBREVIATIONS

A : Australian model	O : Chinese model
B : British model	P : Brazilian model
C : Canadian model	Q : South-east Asia model
D : German model	T : Taiwan model
E : European model	U : U.S.A. model
F : French model	V : General export model (110V)
H : North European model	W : General export model (220V)
I : Indonesian model	N,X: General export model
J : Japanese model	Y : Export model
K : Korean model	Z : Indian model
M : Malaysian model	

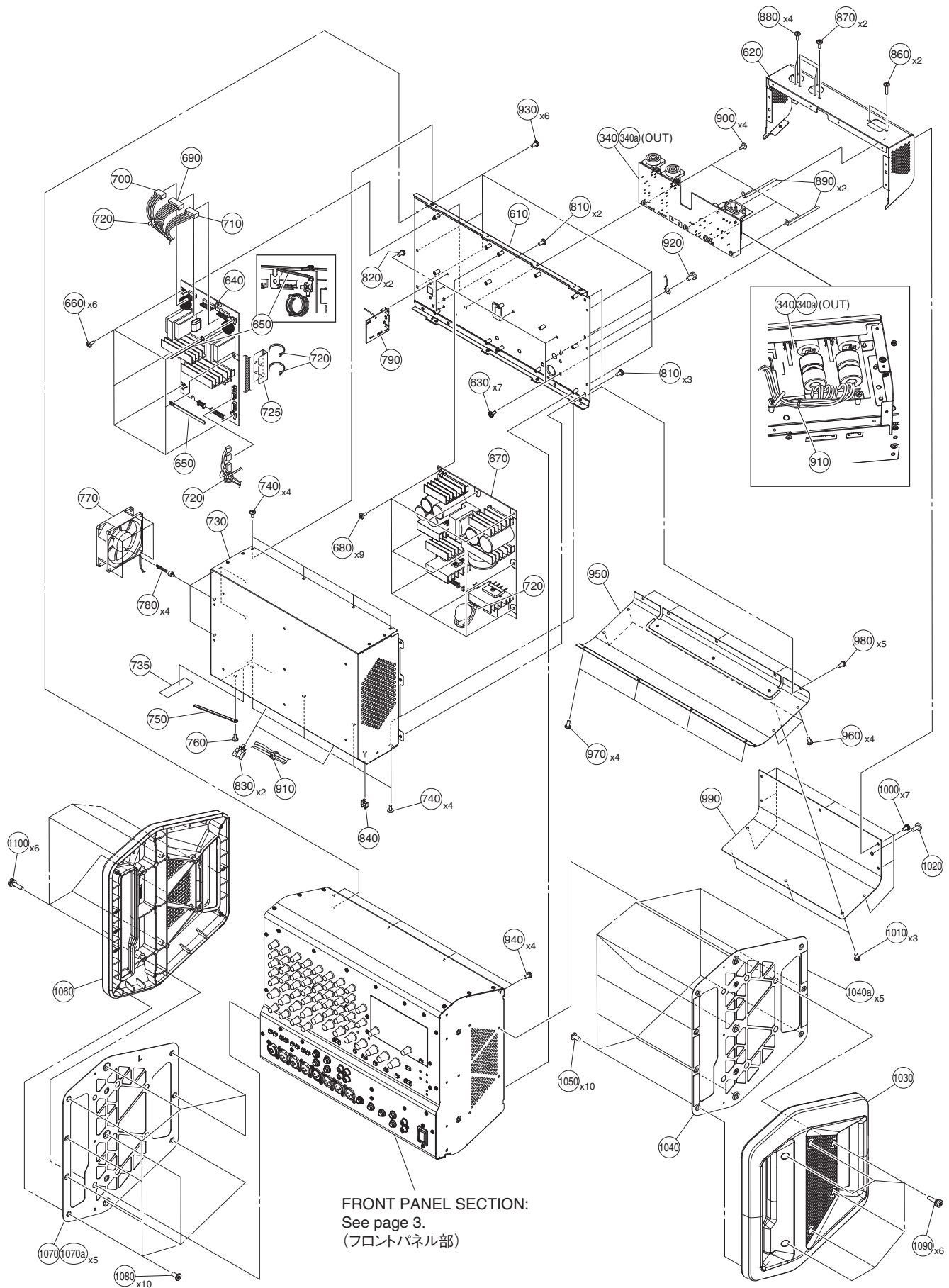
■ WARNING

Components having special characteristics are marked  and must be replaced with parts having specification equal to those originally installed.

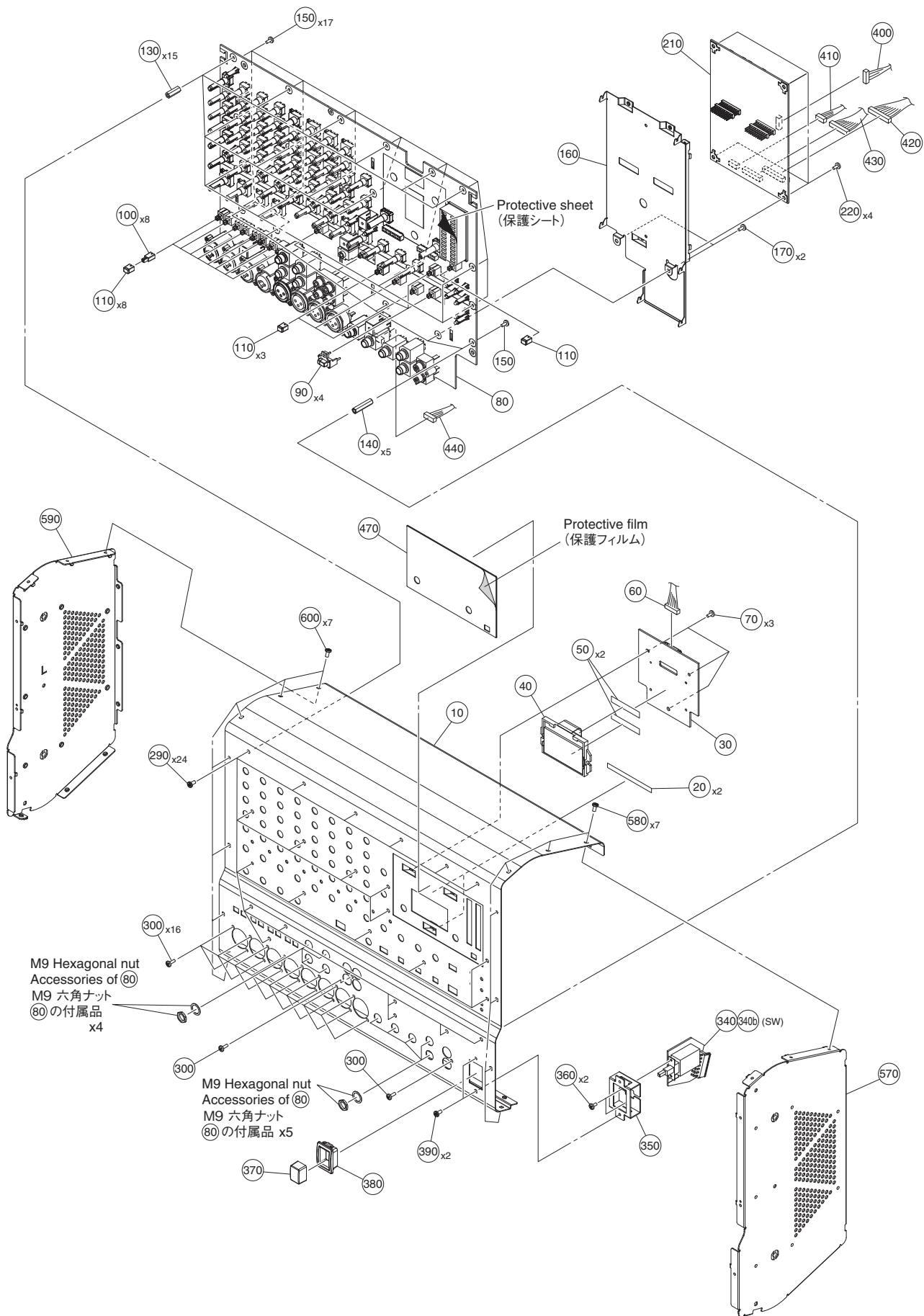
 印の部品は、安全を維持するために重要な部品です。交換する場合は、安全のために必ず指定の部品をご使用ください。

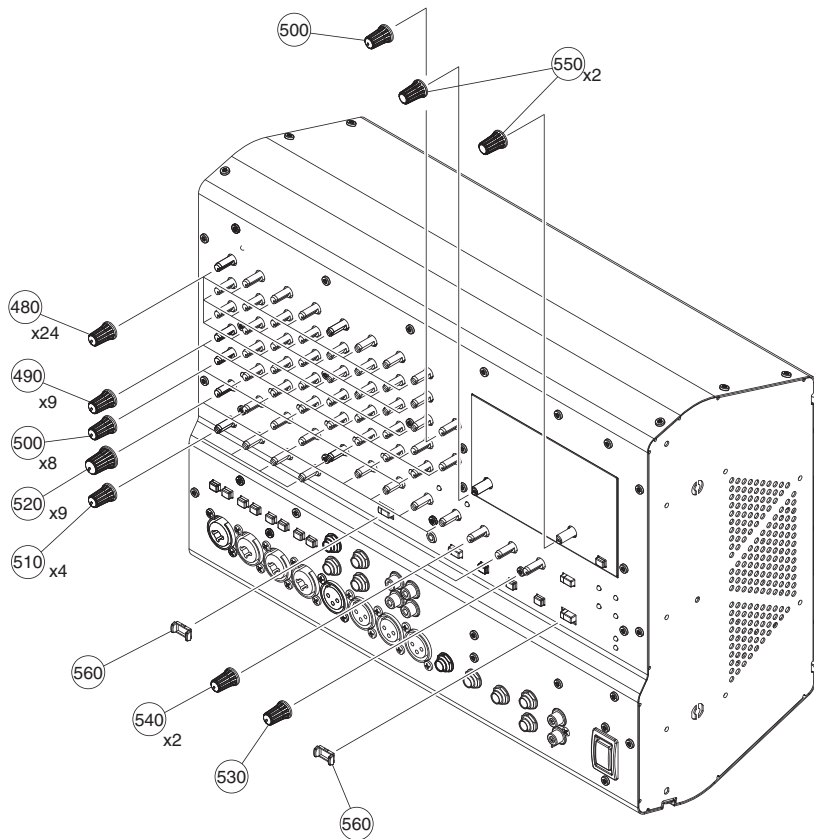
- The numbers "QTY" show quantities for each unit.
- The parts with "--" in "PART NO." are not available as spare parts.
- This mark "}" in the REMARKS column means these parts are interchangeable.
- The second letter of the shaded (■) part number is O, not zero.
- The second letter of the shaded (■) part number is I, not one.
- QTY 欄に記載されている数字は、各ユニット当たりの使用個数です。
- PART NO. が "--" の部品は、サービス用部品として準備されておりません。
- REMARKS 欄の "}" マークの部品は、併用品です。
- 網掛けの付いた PART NO. の 2 番目の文字は「ゼロ」ではなく、「オー」です。
- 網掛けの付いた PART NO. の 2 番目の文字は「イチ」ではなく、「アイ」です。

OVERALL ASSEMBLY (総組立) (EMX7)

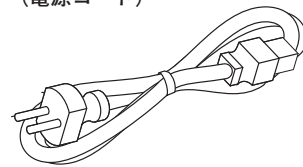


• Front panel section (フロントパネル部)

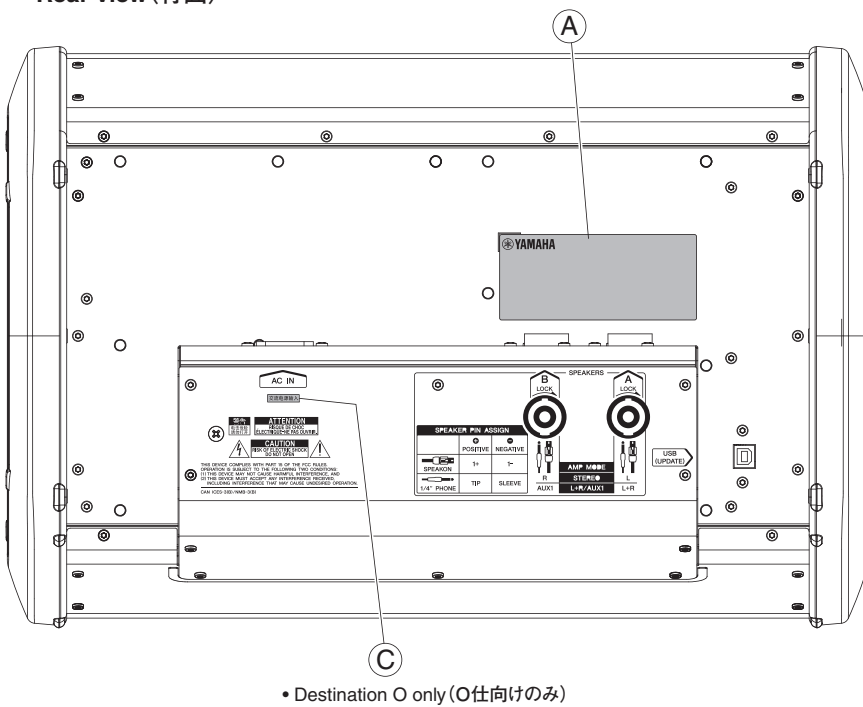




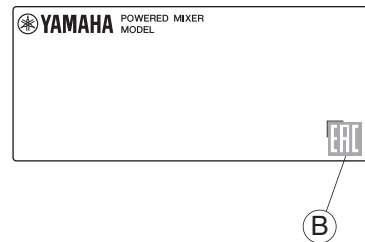
• Power supply cord
(電源コード)



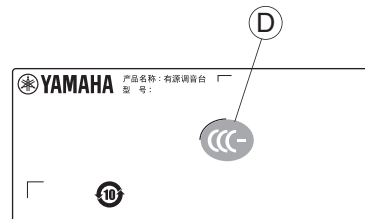
• Rear view (背面)



• Destination E (E仕向け)



• Destination O (O仕向け)



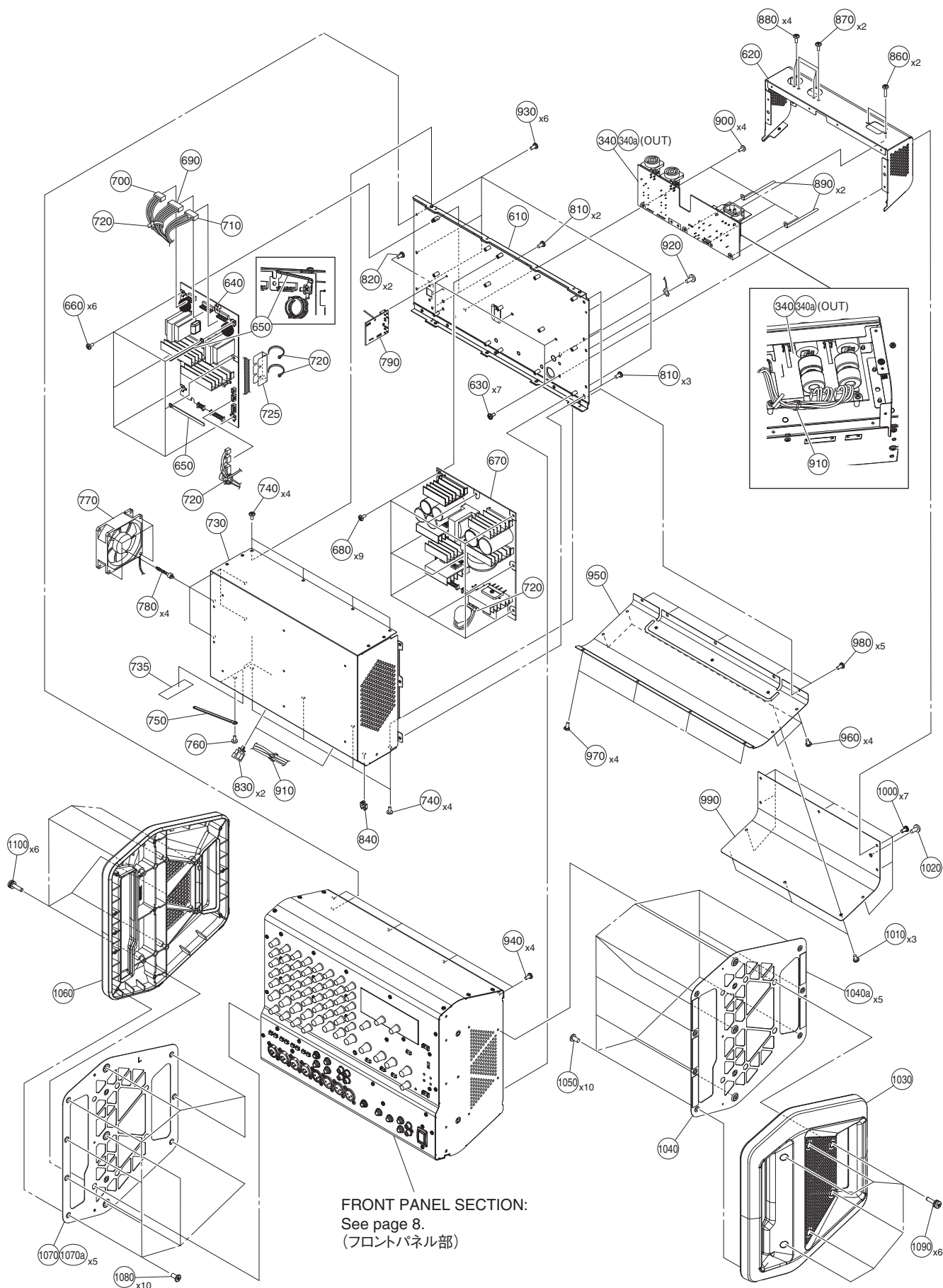
REF NO.	PART NO.	DESCRIPTION		部 品 名	REMARKS	QTY	
		OVERALL ASSEMBLY		総 組 立	EMX7		
	--	OVERALL ASSEMBLY		総 組 立	(ZR75460)		
* 10	ZR295900	FRONT PANEL 7		フ ロ ン ト プ レ ス 品 7			
20	--	SPACER LCD COVER		ス ペ ー サ L C D カ バ ー	(ZT24430)	2	
* 30	ZR457800	CIRCUIT BOARD	LCD	L C D シ ー ト			
* 40	ZQ968700	CRYSTAL DISPLAY	COG-VLJP2124-01	L C D ユ ニ ッ ト			
50	--	ADHESIVE TAPE	10X40mm NITTO 5000NS	粘 着 テ ー プ 1 0 X 4 0	(ZV25970)	2	
60	--	CONNECTOR ASSEMBLY	10P 100mm C&C	圧 着 A s s ' y	(MB41010)		
70	WE877900	BIND HEAD TAPPING SCREW-S	3.0X6 MFZN2W3	S タ イ ト + B I N D		3	
* 80	ZR124900	CIRCUIT BOARD	MIX7	M I X 7 シ ー ト			
90	WF776700	PUSH BUTTON PFL MILKY/D-GRAY		ボ タ ン P F L	PHANTOM +48V,FX ON, FEEDBACK SUPPRESSOR,STANDBY	4	
90	--	PUSH BUTTON PFL MILKY/D-GRAY		ボ タ ン P F L		(ZT23580)	4
* 100	ZT236700	BUTTON JOINT HPF WHITE		ボ タ ン 継 ぎ 手 H P F		8	
110	WF776200	PUSH BUTTON HPF D-GRAY/WHITE		ボ タ ン H P F	MIC/LINE(CH1-4), HPF(CH1-3), Hi-Z,GEQ ACCESS	12	
110	--	PUSH BUTTON HPF GREY/WHITE		ボ タ ン H P F		(ZT23640)	12
130	--	HEXAGONAL SPACER	M3 L=16	6 角 ス ペ ー サ M 3	(ZT23940)	15	
140	--	HEXAGONAL SPACER	H=24.5 B=5.5	6 角 ス ペ ー サ	(ZT24030)	5	
150	WE877900	BIND HEAD TAPPING SCREW-S	3.0X6 MFZN2W3	S タ イ ト + B I N D		18	
160	--	SHIELD DMP		シ ー ル ド D M P	(ZR42060)		
170	WE877900	BIND HEAD TAPPING SCREW-S	3.0X6 MFZN2W3	S タ イ ト + B I N D		2	
* 210	ZQ581900	CIRCUIT BOARD	DMP	D M P シ ー ト			
220	WE877900	BIND HEAD TAPPING SCREW-S	3.0X6 MFZN2W3	S タ イ ト + B I N D		4	
* 290	ZT243800	TDISH HEAD TAPPING SCREW-S	3.0X6 MFZN2B3	S タ イ ト T D I S H		24	
300	WE774402	BIND HEAD TAPPING SCREW-B	3.0X8 MFZN2B3	B タ イ ト + B I N D		18	
* 340	ZR089400	CIRCUIT BOARD	OUTSW	O U T S W シ ー ト			
340a	--	CIRCUIT BOARD	OUT	O U T シ ー ト	(ZR08940)		
340b	--	CIRCUIT BOARD	SW	S W シ ー ト	(ZR08940)		
350	--	PS HOLDER		P S ホ ル ダ ー	(ZT23780)		
360	WE877900	BIND HEAD TAPPING SCREW-S	3.0X6 MFZN2W3	S タ イ ト + B I N D	POWER	2	
370	--	BUTTON PSW BLACK		P S W ノ ブ		(ZT23720)	
* 370	ZT237210	BUTTON PSW BLACK		P S W ノ ブ			
380	--	BUTTON GUIDE PSW BLACK		P S W エ ス カ ッ シ ョ ン		(ZT23730)	
* 380	ZT237310	BUTTON GUIDE PSW BLACK		P S W エ ス カ ッ シ ョ ン			
* 390	ZT243800	TDISH HEAD TAPPING SCREW-S	3.0X6 MFZN2B3	S タ イ ト T D I S H		2	
400	--	CONNECTOR ASSEMBLY	DMPUSB PH-PH 5P	D M P U S B 束 線	(ZS81440)		
410	--	CONNECTOR ASSEMBLY	AMPDMP2 PH-PH 6P	A M P D M P 2 束 線	(ZS81400)		
420	--	CONNECTOR ASSEMBLY	AMPDMP1 PH-PH 14P	A M P D M P 1 束 線	(ZS80730)		
430	--	CONNECTOR ASSEMBLY	12P 240mm C&C	圧 着 A s s ' y	(MB41224)		
440	--	CONNECTOR ASSEMBLY	8P 140mm C&C	圧 着 A s s ' y	(MB40814)		
* 470	ZR715100	WINDOW 7		ウ イ ン ド ウ 7 印 刷			
480	ZF899700	KNOB VR SMALL GREEN/BLACK		ノ ブ V R 小	Equalizer(HIGH/MID/LOW)	24	
480	--	KNOB VR SMALL GREEN/BLACK		ノ ブ V R 小		(ZT23340)	24
480	--	KNOB VR SMALL GREEN/BLACK		ノ ブ V R 小		(ZV38980)	24
490	ZF899800	KNOB VR SMALL BLUE/BLACK		ノ ブ V R 小	AUX1(CH1-11/12,FX RTN)	9	
490	--	KNOB VR SMALL BLUE/BLACK		ノ ブ V R 小		(ZT23350)	9
490	--	KNOB VR SMALL BLUE/BLACK		ノ ブ V R 小		(ZV38990)	9
500	ZF899400	KNOB VR SMALL WHITE/BLACK		ノ ブ V R 小	AUX2/FX(CH1-11/12), PARAMETER	9	
500	--	KNOB VR SMALL WHITE/BLACK		ノ ブ V R 小		(ZT23320)	9
500	--	KNOB VR SMALL WHITE/BLACK		ノ ブ V R 小	(ZV38960)	9	
510	ZF899600	KNOB VR SMALL YELLOW/BLACK		ノ ブ V R 小	COMP(CH1-4)	4	
510	--	KNOB VR SMALL YELLOW/BLACK		ノ ブ V R 小		(ZT23330)	4
510	--	KNOB VR SMALL YELLOW/BLACK		ノ ブ V R 小		(ZV38970)	4
520	ZF900100	KNOB LEVEL WHITE/BLACK		ノ ブ L E V E L	LEVEL(CH1-11/12,FX RTN)	9	
520	--	KNOB LEVEL WHITE/BLACK		ノ ブ L E V E L		(ZW12910)	9
530	ZF900300	KNOB LEVEL RED/BLACK		ノ ブ L E V E L	MASTER LEVEL(STREO)		
530	--	KNOB LEVEL RED/BLACK		ノ ブ L E V E L		(ZW12920)	
540	--	KNOB LEVEL BLUE/BLACK		ノ ブ L E V E L	MASTER LEVEL (AUX1-2)	2	
* 540	ZW129300	KNOB LEVEL BLUE/BLACK		ノ ブ L E V E L		(ZS86560)	2
550	--	ENCODER BLACK	MG3	エ ン コ ー ダ M G 3	PROGRAM, MENU/CONTROL	2	
* 550	ZT236810	ENCODER BLACK	MG3	エ ン コ ー ダ M G 3		(ZT23680)	2
560	--	GUARD PFL		ガ ー ド P F L		2	
* 560	ZT236010	GUARD PFL		ガ ー ド P F L		(ZT23600)	2
570	--	SIDE COVER R	RIGHT	サ イ ド カ バ ー R	(ZR38610)		
* 580	ZT243800	TDISH HEAD TAPPING SCREW-S	3.0X6 MFZN2B3	S タ イ ト T D I S H		7	
590	--	SIDE COVER L	LEFT	サ イ ド カ バ ー L	(ZR38620)		
* 600	ZT243800	TDISH HEAD TAPPING SCREW-S	3.0X6 MFZN2B3	S タ イ ト T D I S H		7	
* 610	ZR750200	REAR PANEL ASSEMBLY		リ ア パ ネ ル A s s ' y 塗 装			
* 620	ZR767400	OUT BOX SIDE		ボ ッ ク ス サ イ ド 塗 装 品			

*: New Parts

REF NO.	PART NO.	DESCRIPTION		部 品 名	REMARKS	QTY
* 630	WE877900	BIND HEAD TAPPING SCREW-S	3.0X6 MFZN2W3	S タイト + B I N D		7
640	ZQ257000	CIRCUIT BOARD	AMP7	A M P 7 シ ー ト		
650	CB81751R	CLIP, WIRE		束 線 止 め		2
* 660	WE97210R	BIND HEAD TAPPING SCREW-S	3.0X8 MFZN2W3	S タイト + B I N D		6
670	ZQ174200	CIRCUIT BOARD	PS	P S シ ー ト		
680	WE97210R	BIND HEAD TAPPING SCREW-S	3.0X8 MFZN2W3	S タイト + B I N D		9
690	--	CONNECTOR ASSEMBLY	AMPS1 VH6 AWG18	A M P S 1 束 線	(ZS80510)	
700	--	CONNECTOR ASSEMBLY	OUTA-VH 4P	O U T A - V H 束 線	(ZS86470)	
710	--	CONNECTOR ASSEMBLY	OUTB-VH 5P	O U T B - V H 束 線	(ZS86480)	
720	VU590000	CABLE TIE	CBTD001B KX-W592	インシュロックタイ		5
725	WY455300	BARRIER SHEET		シート バリア / P C		
730	--	WINDSHIELD		風 防 ケ ー ス	(ZR38530)	
735	--	ADHESIVE TAPE	FILAMENT 12X50m	粘 着 テ ー プ	(2276490)	
740	WE877900	BIND HEAD TAPPING SCREW-S	3.0X6 MFZN2W3	S タイト + B I N D		8
750	CB81751R	CLIP, WIRE		束 線 止 め		
* 760	WE877900	BIND HEAD TAPPING SCREW-S	3.0X6 MFZN2W3	S タイト + B I N D		5
770	ZT409200	DC FAN MOTOR	9A0812S433	D C ファンモーター	Vent	
* 780	WZ036400	FAN FIXER	FF-25F-43-95T	ファンフィクサー		4
* 790	ZR107600	CIRCUIT BOARD	USB	U S B シ ー ト		
810	WE877801	BIND HEAD TAPPING SCREW-S	3.0X6 MFZN2B3	S タイト + B I N D		5
820	WE877801	BIND HEAD TAPPING SCREW-S	3.0X6 MFZN2B3	S タイト + B I N D		2
830	WG102100	WIRE SADDLE	LWS-3S-2W V0	ワイヤーサドル		2
840	VR641100	MINI CLAMP	UAMS-09-0	ミニクランプ		
860	WE99810R	BIND HEAD TAPPING SCREW-B	3.0X12 MFZN2B3	B タイト + B I N D		2
870	WE774402	BIND HEAD TAPPING SCREW-B	3.0X8 MFZN2B3	B タイト + B I N D		2
880	WE774402	BIND HEAD TAPPING SCREW-B	3.0X8 MFZN2B3	B タイト + B I N D		4
890	CB81751R	CLIP, WIRE		束 線 止 め		2
900	WE877900	BIND HEAD TAPPING SCREW-S	3.0X6 MFZN2W3	S タイト + B I N D		4
910	VU590000	CABLE TIE	CBTD001B KX-W592	インシュロックタイ		2
920	WE99480R	BIND HEAD TAPPING SCREW-S	4.0X8 MFZN2B3	S タイト + B I N D		
930	WE877801	BIND HEAD TAPPING SCREW-S	3.0X6 MFZN2B3	S タイト + B I N D		6
* 940	WE877801	BIND HEAD TAPPING SCREW-S	3.0X6 MFZN2B3	S タイト + B I N D		4
950	ZR767700	BOTTOM COVER		ボトムカバー 塗装品		
960	WE877801	BIND HEAD TAPPING SCREW-S	3.0X6 MFZN2B3	S タイト + B I N D		4
970	WE877801	BIND HEAD TAPPING SCREW-S	3.0X6 MFZN2B3	S タイト + B I N D		4
* 980	WE877801	BIND HEAD TAPPING SCREW-S	3.0X6 MFZN2B3	S タイト + B I N D		5
990	ZR768000	OUT BOX COVER		ボックスカバー印刷品		
1000	WE877801	BIND HEAD TAPPING SCREW-S	3.0X6 MFZN2B3	S タイト + B I N D		7
1010	WE877801	BIND HEAD TAPPING SCREW-S	3.0X6 MFZN2B3	S タイト + B I N D		3
1020	WE99480R	BIND HEAD TAPPING SCREW-S	4.0X8 MFZN2B3	S タイト + B I N D		
* 1030	ZR934900	SIDE PAD R	RIGHT 2CBEZ	サイドパッド R		
* 1040	ZS893500	PAD METAL R ASSEMBLY	RIGHT	パッド金具 R アッセイ		
1040a	--	CUSHION PE	60X13X1	クッション PE	(ZS86550)	5
* 1050	ZS496800	LOW HEAD TAPPING SCREW-B	4.0X8	B タイト + 低 頭		10
* 1060	ZR935000	SIDE PAD L	LEFT 2CBEZ	サイドパッド L		
* 1070	ZS893600	PAD METAL L ASSEMBLY	LEFT	パッド金具 L アッセイ		
1070a	--	CUSHION PE	60X13X1	クッション PE	(ZS86550)	5
* 1080	ZS496800	LOW HEAD TAPPING SCREW-B	4.0X8	B タイト + 低 頭		10
* 1090	ZS496700	BIND HEAD SCREW	4.0X16 MFZN2B3 SP	小ネジ + B I N D		6
* 1100	ZS496700	BIND HEAD SCREW	4.0X16 MFZN2B3 SP	小ネジ + B I N D		6
		ACCESSORIES		付 属 品		
	WV577000	POWER SUPPLY CORD	J VCTF 3X1.25	電 源 コ ー ド	J	
	WC249500	POWER SUPPLY CORD	U 3P 10A	電 源 コ ー ド	U	
	WC249601	POWER SUPPLY CORD	E 3P 10A	電 源 コ ー ド	E,K	
	WC24970R	POWER SUPPLY CORD	B H05VV-F 3X1.0	電 源 コ ー ド	B,M	
	WD29640R	POWER SUPPLY CORD	CHN CVTF RVV 3X1.0	電 源 コ ー ド	O	
	WU795000	POWER SUPPLY CORD	BRA 3P 2.5m 10A	電 源 コ ー ド	P	
A	--	LABEL NAME PLATE		ラベルメイバン	J,U	(ZR75810)
A	--	LABEL NAME PLATE		ラベルメイバン	E,B,M	(ZR75820)
A	--	LABEL NAME PLATE		ラベルメイバン	K	(ZR75840)
A	--	LABEL NAME PLATE		ラベルメイバン	O	(ZR75830)
A	--	LABEL NAME PLATE		ラベルメイバン	P	(ZR75810)
B	--	EAC LABEL		E A C ラベル	E	(ZK71700)
C	--	LABEL AC		ラベル AC	O	(WR98840)
D	--	LABEL	CCC0020802	C C C 0 0 2 0 8 0 2	O	(ZG62160)

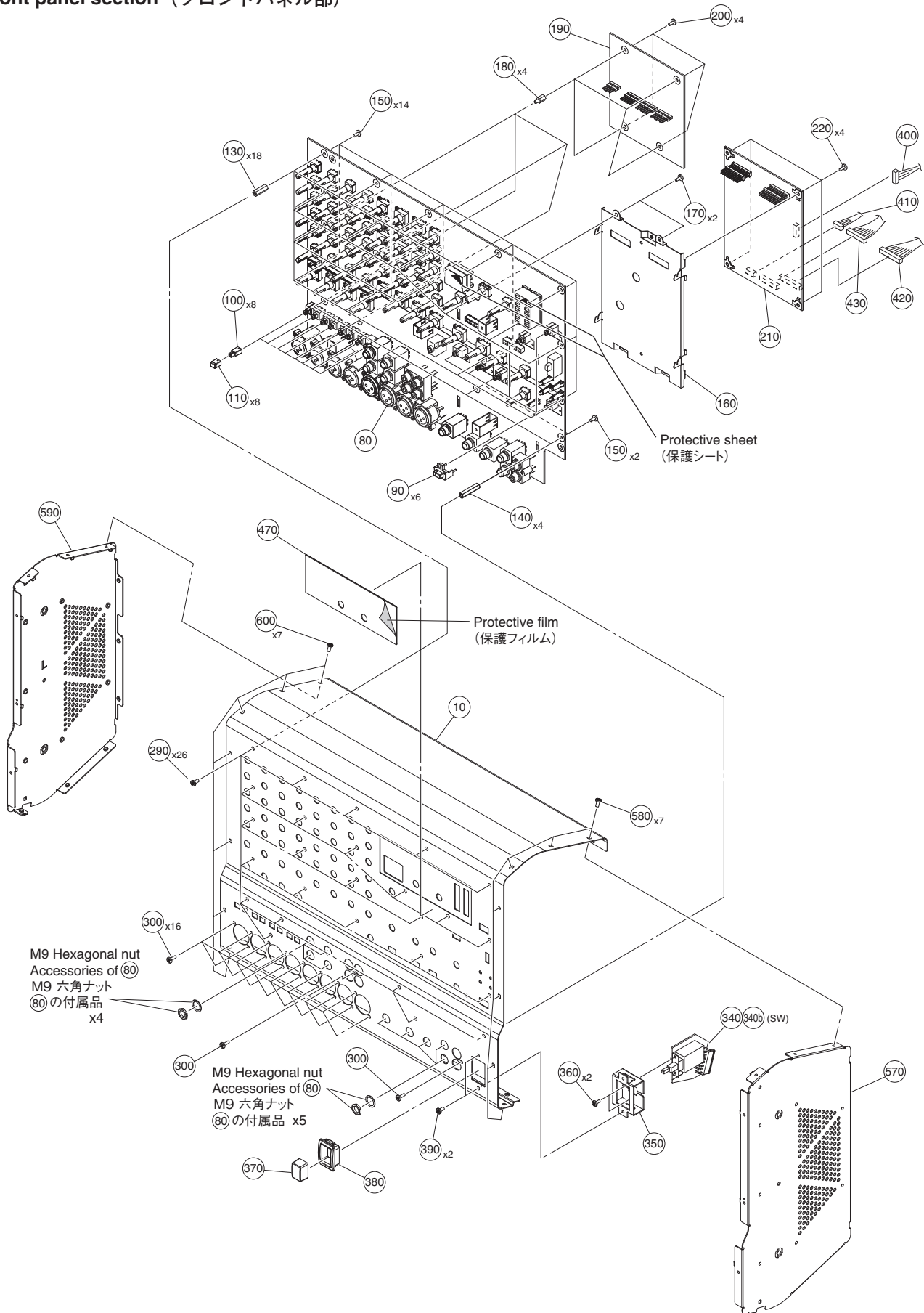
*: New Parts

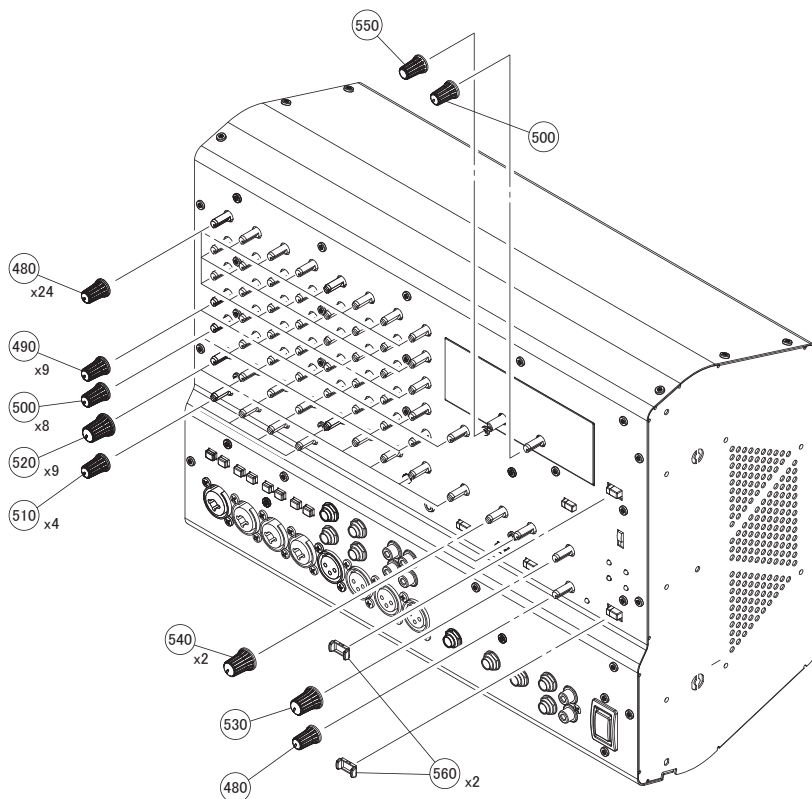
OVERALL ASSEMBLY (総組立) (EMX5)



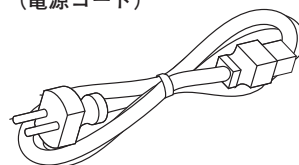
FRONT PANEL SECTION:
See page 8.
(フロントパネル部)

• Front panel section (フロントパネル部)

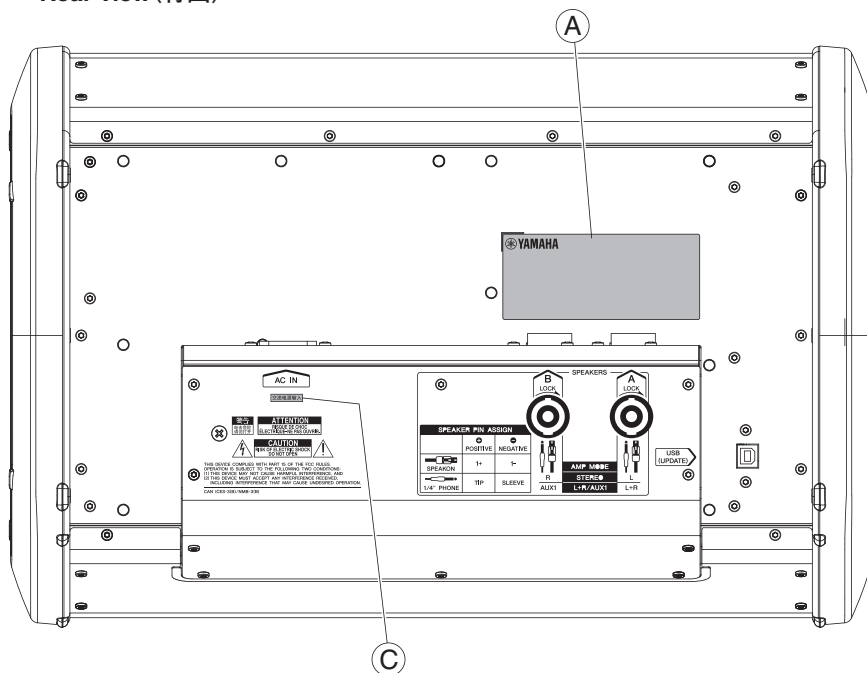




• Power supply cord
(電源コード)

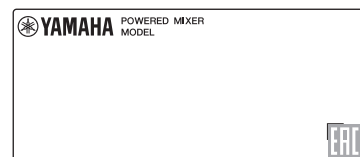


• Rear view (背面)



• Destination O only (O仕向けのみ)

• Destination E (E仕向け)



B

• Destination O (O仕向け)



D

REF NO.	PART NO.	DESCRIPTION		部 品 名	REMARKS	QTY	
	--	OVERALL ASSEMBLY		総 組 立	EMX5		
	--	OVERALL ASSEMBLY		総 組 立	(ZR75470)		
* 10	ZR295800	FRONT PANEL 5		フ ロ ン ト プ レ ス 品 5			
* 80	ZQ101600	CIRCUIT BOARD	MIXS	M I X S シ ー ト			
90	WF776700	PUSH BUTTON PFL MILKY/D-GRAY		ボ タ ン P F L	} FX ON,FEEDBACK SUPPRESSOR, STANDBY, (ZT23580) MONITOR EQ (AUX1-2)	6	
90	--	PUSH BUTTON PFL MILKY/D-GRAY		ボ タ ン P F L		6	
* 100	ZT236700	BUTTON JOINT HPF WHITE		ボ タ ン 継 ぎ 手 H P F	} MIC/LINE(CH1-4), HPF(CH1-3),Hi-Z (ZT23640)	8	
110	WF776200	PUSH BUTTON HPF D-GRAY/WHITE		ボ タ ン H P F		8	
110	--	PUSH BUTTON HPF GREY/WHITE		ボ タ ン H P F		8	
130	--	HEXAGONAL SPACER	M3 L=16	6 角 ス ペ ー サ ー M 3	(ZT23940)	18	
140	--	HEXAGONAL SPACER	H=24.5 B=5.5	6 角 ス ペ ー サ ー	(ZT24030)	4	
150	WE877900	BIND HEAD TAPPING SCREW-S	3.0X6 MFZN2W3	S タ イ ト + B I N D		16	
160	--	SHIELD DMS		シ ー ル ド D M S	(ZR42050)		
170	WE877900	BIND HEAD TAPPING SCREW-S	3.0X6 MFZN2W3	S タ イ ト + B I N D		2	
180	--	HEXAGONAL SPACER	M3 L=7.5	6 角 ス ペ ー サ ー M 3	(ZT24040)	4	
* 190	ZR933600	CIRCUIT BOARD		S U B シ ー ト			
200	WE877900	BIND HEAD TAPPING SCREW-S	3.0X6 MFZN2W3	S タ イ ト + B I N D		4	
* 210	ZQ256900	CIRCUIT BOARD	DMS	D M S シ ー ト			
* 220	WE877900	BIND HEAD TAPPING SCREW-S	3.0X6 MFZN2W3	S タ イ ト + B I N D		4	
* 290	ZT243800	TDISH HEAD TAPPING SCREW-S	3.0X6 MFZN2B3	S タ イ ト T D I S H		26	
300	WE774402	BIND HEAD TAPPING SCREW-B	3.0X8 MFZN2B3	B タ イ ト + B I N D		18	
* 340	ZR089400	CIRCUIT BOARD	OUTSW	O U T S W シ ー ト			
340a	--	CIRCUIT BOARD	OUT	O U T シ ー ト	(ZR08940)		
340b	--	CIRCUIT BOARD	SW	S W シ ー ト	(ZR08940)		
350	--	PS HOLDER		P S ホ ル ダ ー	(ZT23780)		
360	WE877900	BIND HEAD TAPPING SCREW-S	3.0X6 MFZN2W3	S タ イ ト + B I N D	} POWER (ZT23720)	2	
370	--	BUTTON PSW BLACK		P S W ノ ブ			
* 370	ZT237210	BUTTON PSW BLACK		P S W ノ ブ			
380	--	BUTTON GUIDE PSW BLACK		P S W エ ス カ ッ シ ョ ン		(ZT23730)	
* 380	ZT237310	BUTTON GUIDE PSW BLACK		P S W エ ス カ ッ シ ョ ン			
* 390	ZT243800	TDISH HEAD TAPPING SCREW-S	3.0X6 MFZN2B3	S タ イ ト T D I S H		2	
400	--	CONNECTOR ASSEMBLY	DMSUSB PH-PH 5P	D M S U S B 束 線	(ZS81450)		
410	--	CONNECTOR ASSEMBLY	AMPDMS2 PH-PH 6P	A M P D M S 2 束 線	(ZS81410)		
420	--	CONNECTOR ASSEMBLY	AMPDMS1 PH-PH 14P	A M P D M S 1 束 線	(ZS81250)		
430	--	CONNECTOR ASSEMBLY	12P 180mm C&C	圧 着 A s s ' y	(MB41218)		
* 470	ZR715000	WINDOW 5		ウ イ ン ド ウ 5 印 刷			
480	ZF899700	KNOB VR SMALL GREEN/BLACK		ノ ブ V R 小	} Equalizer(HIGH/MID/LOW), MASTER EQ (ZT23340) (ZV38980)	25	
480	--	KNOB VR SMALL GREEN/BLACK		ノ ブ V R 小		25	
480	--	KNOB VR SMALL GREEN/BLACK		ノ ブ V R 小			
490	ZF899800	KNOB VR SMALL BLUE/BLACK		ノ ブ V R 小	} AUX1(CH1-11/12,FX RTN) (ZT23350)	9	
490	--	KNOB VR SMALL BLUE/BLACK		ノ ブ V R 小		9	
490	--	KNOB VR SMALL BLUE/BLACK		ノ ブ V R 小	(ZV38990)	9	
500	ZF899400	KNOB VR SMALL WHITE/BLACK		ノ ブ V R 小	} AUX2/FX(CH1-11/12), PARAMETER (ZT23320)	9	
500	--	KNOB VR SMALL WHITE/BLACK		ノ ブ V R 小		9	
500	--	KNOB VR SMALL WHITE/BLACK		ノ ブ V R 小	(ZV38960)	9	
510	ZF899600	KNOB VR SMALL YELLOW/BLACK		ノ ブ V R 小	} COMP(CH1-4) (ZT23330)	4	
510	--	KNOB VR SMALL YELLOW/BLACK		ノ ブ V R 小		4	
510	--	KNOB VR SMALL YELLOW/BLACK		ノ ブ V R 小		(ZV38970)	4
520	ZF900100	KNOB LEVEL WHITE/BLACK		ノ ブ L E V E L	} LEVEL(CH1-11/12,FX RTN) (ZW12910)	9	
520	--	KNOB LEVEL WHITE/BLACK		ノ ブ L E V E L		9	
530	ZF900300	KNOB LEVEL RED/BLACK		ノ ブ L E V E L	} STREO LEVEL (ZW12920)	2	
530	--	KNOB LEVEL RED/BLACK		ノ ブ L E V E L		2	
540	--	KNOB LEVEL BLUE/BLACK		ノ ブ L E V E L	} AUX1 LEVEL, AUX2 LEVEL (ZS86560)	2	
* 540	ZW129300	KNOB LEVEL BLUE/BLACK		ノ ブ L E V E L		2	
550	--	ENCODER BLACK	MG3	エ ン コ ー ダ M G 3	} PROGRAM (ZT23680)		
* 550	ZT236810	ENCODER BLACK	MG3	エ ン コ ー ダ M G 3			
560	--	GUARD PFL		ガ ー ド P F L		(ZT23600)	2
* 560	ZT236010	GUARD PFL		ガ ー ド P F L		2	
570	--	SIDE COVER R	RIGHT	サ イ ド カ バ ー R	(ZR38610)		
* 580	ZT243800	TDISH HEAD TAPPING SCREW-S	3.0X6 MFZN2B3	S タ イ ト T D I S H		7	
590	--	SIDE COVER L	LEFT	サ イ ド カ バ ー L	(ZR38620)		
* 600	ZT243800	TDISH HEAD TAPPING SCREW-S	3.0X6 MFZN2B3	S タ イ ト T D I S H		7	
* 610	ZR750200	REAR PANEL ASSEMBLY		リ ア パ ネ ル A s s ' y 塗 装			
* 620	ZR767400	OUT BOX SIDE		ボ ッ ク ス サ イ ド 塗 装 品			
630	WE877900	BIND HEAD TAPPING SCREW-S	3.0X6 MFZN2W3	S タ イ ト + B I N D		7	
* 640	ZQ257100	CIRCUIT BOARD	AMP5	A M P 5 シ ー ト			
650	CB81751R	CLIP, WIRE		束 線 止 め		2	
660	WE97210R	BIND HEAD TAPPING SCREW-S	3.0X8 MFZN2W3	S タ イ ト + B I N D		6	
* 670	ZQ174200	CIRCUIT BOARD	PS	P S シ ー ト			

*: New Parts

REF NO.	PART NO.	DESCRIPTION	部 品 名	REMARKS	QTY
680	WE97210R	BIND HEAD TAPPING SCREW-S	3.0X8 MFZN2W3	S タイト + B I N D	9
690	--	CONNECTOR ASSEMBLY	AMPS1 VH6 AWG18	A M P S 1 束 線	(ZS80510)
700	--	CONNECTOR ASSEMBLY	OUTA-VH VH-VH 4P	O U T A - V H 束 線	(ZS86470)
710	--	CONNECTOR ASSEMBLY	OUTB-VH VH-VH 5P	O U T B - V H 束 線	(ZS86480)
720	VU590000	CABLE TIE	CBTD001B KX-W592	インシュロックタイ	5
725	WY455300	BARRIER SHEET		シート バリア / P C	
730	--	WINDSHIELD		風 防 ケ ー ス	(ZR38530)
735	--	ADHESIVE TAPE	FILAMENT 12X50m	粘 着 テ ー プ	(2276490)
740	WE877900	BIND HEAD TAPPING SCREW-S	3.0X6 MFZN2W3	S タイト + B I N D	8
750	CB81751R	CLIP, WIRE		束 線 止 め	
760	WE877900	BIND HEAD TAPPING SCREW-S	3.0X6 MFZN2W3	S タイト + B I N D	
* 770	ZT409200	DC FAN MOTOR	9A0812S433	D C ファンモーター	Vent
* 780	WZ036400	FAN FIXER	FF-25F-43-95T	ファンフィクサー	4
* 790	ZR107600	CIRCUIT BOARD	USB	U S B シ ー ト	5
810	WE877801	BIND HEAD TAPPING SCREW-S	3.0X6 MFZN2B3	S タイト + B I N D	2
820	WE877801	BIND HEAD TAPPING SCREW-S	3.0X6 MFZN2B3	S タイト + B I N D	2
830	WG102100	WIRE SADDLE	LWS-3S-2W V0	ワイヤ サドル	2
840	VR641100	MINI CLAMP	UAMS-09-0	ミニクランプ	2
860	WE99810R	BIND HEAD TAPPING SCREW-B	3.0X12 MFZN2B3	B タイト + B I N D	2
870	WE774402	BIND HEAD TAPPING SCREW-B	3.0X8 MFZN2B3	B タイト + B I N D	2
880	WE774402	BIND HEAD TAPPING SCREW-B	3.0X8 MFZN2B3	B タイト + B I N D	4
890	CB81751R	CLIP, WIRE		束 線 止 め	2
900	WE877900	BIND HEAD TAPPING SCREW-S	3.0X6 MFZN2W3	S タイト + B I N D	4
910	VU590000	CABLE TIE	CBTD001B KX-W592	インシュロックタイ	2
920	WE99480R	BIND HEAD TAPPING SCREW-S	4.0X8 MFZN2B3	S タイト + B I N D	6
930	WE877801	BIND HEAD TAPPING SCREW-S	3.0X6 MFZN2B3	S タイト + B I N D	4
940	WE877801	BIND HEAD TAPPING SCREW-S	3.0X6 MFZN2B3	S タイト + B I N D	4
* 950	ZR767700	BOTTOM COVER		ボトムカバー 塗装品	4
960	WE877801	BIND HEAD TAPPING SCREW-S	3.0X6 MFZN2B3	S タイト + B I N D	4
970	WE877801	BIND HEAD TAPPING SCREW-S	3.0X6 MFZN2B3	S タイト + B I N D	4
980	WE877801	BIND HEAD TAPPING SCREW-S	3.0X6 MFZN2B3	S タイト + B I N D	5
* 990	ZR768000	OUT BOX COVER		ボックスカバー印刷品	7
1000	WE877801	BIND HEAD TAPPING SCREW-S	3.0X6 MFZN2B3	S タイト + B I N D	3
1010	WE877801	BIND HEAD TAPPING SCREW-S	3.0X6 MFZN2B3	S タイト + B I N D	6
1020	WE99480R	BIND HEAD TAPPING SCREW-S	4.0X8 MFZN2B3	S タイト + B I N D	4
* 1030	ZR934900	SIDE PAD R	RIGHT 2CBEZ	サイドパッド R	
* 1040	ZS893500	PAD METAL R ASSEMBLY	RIGHT	パッド金具 R アッセイ	
1040a	--	CUSHION PE	60X13X1	クッション PE	(ZS86550)
* 1050	ZS496800	LOW HEAD TAPPING SCREW-B	4.0X8	B タイト + 低頭	10
* 1060	ZR935000	SIDE PAD L	LEFT 2CBEZ	サイドパッド L	
* 1070	ZS893600	PAD METAL L ASSEMBLY	LEFT	パッド金具 L アッセイ	
1070a	--	CUSHION PE	60X13X1	クッション PE	(ZS86550)
* 1080	ZS496800	LOW HEAD TAPPING SCREW-B	4.0X8	B タイト + 低頭	10
* 1090	ZS496700	BIND HEAD SCREW	4.0X16 MFZN2B3 SP	小ネジ + B I N D	6
* 1100	ZS496700	BIND HEAD SCREW	4.0X16 MFZN2B3 SP	小ネジ + B I N D	6
		ACCESSORIES		付 属 品	
	WV577000	POWER SUPPLY CORD	J VCTF 3X1.25	電 源 コ ー ド J	
	WC249500	POWER SUPPLY CORD	U 3P 10A	電 源 コ ー ド U	
	WC249601	POWER SUPPLY CORD	E 3P 10A	電 源 コ ー ド E,K	
	WC24970R	POWER SUPPLY CORD	B H05VV-F 3X1.0	電 源 コ ー ド B,M	
	WD29640R	POWER SUPPLY CORD	CHN CVTF RVV 3X1.0	電 源 コ ー ド O	
	WU795000	POWER SUPPLY CORD	BRA 3P 2.5m 10A	電 源 コ ー ド P	
A	--	LABEL NAME PLATE		ラベルメイバン	J,U (ZR76030)
A	--	LABEL NAME PLATE		ラベルメイバン	E,B,M (ZR76040)
A	--	LABEL NAME PLATE		ラベルメイバン	K (ZR76060)
A	--	LABEL NAME PLATE		ラベルメイバン	O (ZR76050)
A	--	LABEL NAME PLATE		ラベルメイバン	P (ZR76030)
B	--	EAC LABEL		E A C ラベル	E (ZK71700)
C	--	LABEL AC		ラベル A C O	(WR98840)
D	--	LABEL	CCC0020802	C C C 0 0 2 0 8 0 2 O	(ZG62160)

*: New Parts

ELECTRICAL PARTS (電気部品)

AMP7/AMP5

REF NO.	PART NO.	DESCRIPTION	部 品 名	REMARKS	QTY
*		ELECTRICAL PARTS	電 気 部 品	EMX7/EMX5	
*	ZQ257000	CIRCUIT BOARD	AMP7	A M P 7 シ ー ト	EMX7 (YG988C0)
*	ZQ257100	CIRCUIT BOARD	AMP5	A M P 5 シ ー ト	EMX5 (YG988C0)
*	ZQ581900	CIRCUIT BOARD	DMP	D M P シ ー ト	EMX7 (YH059C0)
*	ZQ256900	CIRCUIT BOARD	DMS	D M S シ ー ト	EMX5 (YG987C0)
*	ZR457800	CIRCUIT BOARD	LCD	L C D シ ー ト	EMX7 (YH216B0)
*	ZR124900	CIRCUIT BOARD	MIX7	M I X 7 シ ー ト	EMX7 (YH162C0)
*	ZQ101600	CIRCUIT BOARD	MIXS	M I X S シ ー ト	EMX5 (YG949D0)
*	ZR089400	CIRCUIT BOARD	OUTSW	O U T S W シ ー ト	EMX7/EMX5 (YH154C0)
*	--	CIRCUIT BOARD	OUT	O U T シ ー ト	EMX7/EMX5 (ZR08940)(YH154C0)
*	--	CIRCUIT BOARD	SW	S W シ ー ト	EMX7/EMX5 (ZR08940)(YH154C0)
*	ZQ174200	CIRCUIT BOARD	PS	P S シ ー ト	EMX7/EMX5 (YG966F0)
*	ZR933600	CIRCUIT BOARD	SUB	S U B シ ー ト	EMX5 (YH218C0)
*	ZR107600	CIRCUIT BOARD	USB	U S B シ ー ト	EMX7/EMX5 (YH160C0)
*	ZQ257000	CIRCUIT BOARD	AMP7	A M P 7 シ ー ト	EMX7 (YG988C0)
*	ZQ257100	CIRCUIT BOARD	AMP5	A M P 5 シ ー ト	EMX5 (YG988C0)
*	--	TR HOLDER	1.0	T R ホ ル ダ ー	(ZT23910)
*	ZU057900	TH. INTERFACE SHEET	23X44X0.2	放 熱 シ ー ト	
*	ZD566400	PAN HEAD SCREW	3X12 MFZN2W3 SP D6	小 ネ ジ + P A N	
*	C420	ZK499300	POLYESTER FILM CAPACITOR	1.0 250V J FORMING	P P コ ン
*	C520	ZK499300	POLYESTER FILM CAPACITOR	1.0 250V J FORMING	P P コ ン
*	C603	ZS892800	ELECTROLYTIC CAPACITOR	330.00 100.0V TATE	ケ ミ コ ン
*	C604	ZS892800	ELECTROLYTIC CAPACITOR	330.00 100.0V TATE	ケ ミ コ ン
*	C617	ZS892800	ELECTROLYTIC CAPACITOR	330.00 100.0V TATE	ケ ミ コ ン
*	C618	ZS892800	ELECTROLYTIC CAPACITOR	330.00 100.0V TATE	ケ ミ コ ン
*	CN301	VB858500	CONNECTOR	PH 6P SE	ベ ー ス ポ ス ト
*	CN302	VB390102	CONNECTOR	PH 5P TE	ベ ー ス ポ ス ト
*	CN303	VH904201	CONNECTOR	PH 14P SE	ベ ー ス ポ ス ト
*	CN304	VB390301	CONNECTOR	PH 7P TE	ベ ー ス ポ ス ト
*	CN305	VB858201	CONNECTOR	PH 3P SE	ベ ー ス ポ ス ト
*	CN401	LB932041	CONNECTOR	VH 4P TE	ベ ー ス ポ ス ト
*	CN501	LB932052	CONNECTOR	VH 5P TE	ベ ー ス ポ ス ト
*	CN601	LB932062	CONNECTOR	VH 6P TE	ベ ー ス ポ ス ト
*	CN602	VB389901	CONNECTOR	PH 3P TE	ベ ー ス ポ ス ト
*	FT401	ZP323200	FET	FDP2710 SUTO	F E T
*	FT402	ZP323200	FET	FDP2710 SUTO	F E T
*	FT501	ZP323200	FET	FDP2710 SUTO	F E T
*	FT502	ZP323200	FET	FDP2710 SUTO	F E T
*	IC601	XD853A00	IC	NJM7815FA	I C REGULATOR +15V
*	K1	--	EARTH PLATE	ア ー ス プ レ ー ト	(ZT23750)
*	-4	--	EARTH PLATE	ア ー ス プ レ ー ト	(ZT23750)
*	K5	--	HS ASSEMBLY L70	放 熱 板 A s s ' y L 7 0	(ZR28280)
*	K6	--	HS ASSEMBLY L70	放 熱 板 A s s ' y L 7 0	(ZR28280)
*	L401	--	COIL FIXED	CF-35N79RF TATE	コ イ ル (ZN16390)
*	L501	--	COIL FIXED	CF-35N79RF TATE	コ イ ル (ZN16390)
*	C101	US063102	CERAMIC CAPACITOR (CHIP)	1000P 50V K RECT.	チ ッ プ セ ラ (B)
*	C106	US064103	CERAMIC CAPACITOR (CHIP)	0.0100 50V K RECT.	チ ッ プ セ ラ (B)
*	C120	US064103	CERAMIC CAPACITOR (CHIP)	0.0100 50V K RECT.	チ ッ プ セ ラ (B)
*	C132	US046102	CERAMIC CAPACITOR (CHIP)	1.00 25V K RECT.	チ ッ プ セ ラ (B)
*	C133	US046102	CERAMIC CAPACITOR (CHIP)	1.00 25V K RECT.	チ ッ プ セ ラ (B)
*	C134	US063471	CERAMIC CAPACITOR (CHIP)	4700P 50V K RECT.	チ ッ プ セ ラ (B)
*	C140	US060500	CERAMIC CAPACITOR (CHIP)	5P 50V C RECT.	チ ッ プ セ ラ (C H)
*	C141	US061471	CERAMIC CAPACITOR (CHIP)	47P 50V J RECT.	チ ッ プ セ ラ (C H)
*	C150	US062120	CERAMIC CAPACITOR (CHIP)	120P 50V J RECT.	チ ッ プ セ ラ (S L)
*	C150	V2847800	CERAMIC CAPACITOR (CHIP)	120P 50V J KAKUTE	チ ッ プ セ ラ C H }
*	C201	US063102	CERAMIC CAPACITOR (CHIP)	1000P 50V K RECT.	チ ッ プ セ ラ (B)
*	C220	US064103	CERAMIC CAPACITOR (CHIP)	0.0100 50V K RECT.	チ ッ プ セ ラ (B)
*	C232	US046102	CERAMIC CAPACITOR (CHIP)	1.00 25V K RECT.	チ ッ プ セ ラ (B)
*	C233	US046102	CERAMIC CAPACITOR (CHIP)	1.00 25V K RECT.	チ ッ プ セ ラ (B)
*	C234	US063471	CERAMIC CAPACITOR (CHIP)	4700P 50V K RECT.	チ ッ プ セ ラ (B)
*	C240	US060500	CERAMIC CAPACITOR (CHIP)	5P 50V C RECT.	チ ッ プ セ ラ (C H)
*	C241	US061471	CERAMIC CAPACITOR (CHIP)	47P 50V J RECT.	チ ッ プ セ ラ (C H)
*	C250	US062120	CERAMIC CAPACITOR (CHIP)	120P 50V J RECT.	チ ッ プ セ ラ (S L)
*	C250	V2847800	CERAMIC CAPACITOR (CHIP)	120P 50V J KAKUTE	チ ッ プ セ ラ C H }
*	C309	US035102	CERAMIC CAPACITOR (CHIP)	0.1000 16V K RECT.	チ ッ プ セ ラ (B)
*	C310	US035102	CERAMIC CAPACITOR (CHIP)	0.1000 16V K RECT.	チ ッ プ セ ラ (B)
*	C320	US035102	CERAMIC CAPACITOR (CHIP)	0.1000 16V K RECT.	チ ッ プ セ ラ (B)
*	C321	WG888301	MONOLITHIC CERAMIC CAP(CHIP)	10.0 6.3V K TP	チ ッ プ 積 層 セ ラ コ ン
*	C322	US063102	CERAMIC CAPACITOR (CHIP)	1000P 50V K RECT.	チ ッ プ セ ラ (B)

*: New Parts

AMP7/AMP5

REF NO.	PART NO.	DESCRIPTION	部 品 名	REMARKS	QTY
C326	US035102	CERAMIC CAPACITOR (CHIP)	0.1000 16V K RECT.	チップセラ (B)	
C330	US060801	CERAMIC CAPACITOR (CHIP)	8P 50V D RECT.	チップセラ (C H)	
C331	US060801	CERAMIC CAPACITOR (CHIP)	8P 50V D RECT.	チップセラ (C H)	
C332	US046102	CERAMIC CAPACITOR (CHIP)	1.00 25V K RECT.	チップセラ (B)	
C333	US063102	CERAMIC CAPACITOR (CHIP)	1000P 50V K RECT.	チップセラ (B)	
C334	US063102	CERAMIC CAPACITOR (CHIP)	1000P 50V K RECT.	チップセラ (B)	
C335	US046102	CERAMIC CAPACITOR (CHIP)	1.00 25V K RECT.	チップセラ (B)	
C336	WJ590701	CERAMIC CAPACITOR (CHIP)	0.47 16V K RECT.	チップセラ	
C337	US035102	CERAMIC CAPACITOR (CHIP)	0.1000 16V K RECT.	チップセラ (B)	
C338	US046102	CERAMIC CAPACITOR (CHIP)	1.00 25V K RECT.	チップセラ (B)	
C339	US035102	CERAMIC CAPACITOR (CHIP)	0.1000 16V K RECT.	チップセラ (B)	
C340	US035102	CERAMIC CAPACITOR (CHIP)	0.1000 16V K RECT.	チップセラ (B)	
C341	US046102	CERAMIC CAPACITOR (CHIP)	1.00 25V K RECT.	チップセラ (B)	
C342	US064103	CERAMIC CAPACITOR (CHIP)	0.0100 50V K RECT.	チップセラ (B)	
C343	US046102	CERAMIC CAPACITOR (CHIP)	1.00 25V K RECT.	チップセラ (B)	
-346	US046102	CERAMIC CAPACITOR (CHIP)	1.00 25V K RECT.	チップセラ (B)	
C350	US035102	CERAMIC CAPACITOR (CHIP)	0.1000 16V K RECT.	チップセラ (B)	
C351	US035102	CERAMIC CAPACITOR (CHIP)	0.1000 16V K RECT.	チップセラ (B)	
C354	US035102	CERAMIC CAPACITOR (CHIP)	0.1000 16V K RECT.	チップセラ (B)	
C355	V8085401	CERAMIC CAPACITOR (CHIP)	0.1000 25V K RECT.	チップセラ (B)	
-358	V8085401	CERAMIC CAPACITOR (CHIP)	0.1000 25V K RECT.	チップセラ (B)	
C361	US064103	CERAMIC CAPACITOR (CHIP)	0.0100 50V K RECT.	チップセラ (B)	
-366	US064103	CERAMIC CAPACITOR (CHIP)	0.0100 50V K RECT.	チップセラ (B)	
C371	WN110600	MONOLITHIC CERAMIC CAP(CHIP)	4.700 25V K KAKUTE	チップ積層セラコン	
C372	WN110600	MONOLITHIC CERAMIC CAP(CHIP)	4.700 25V K KAKUTE	チップ積層セラコン	
C401	V8085401	CERAMIC CAPACITOR (CHIP)	0.1000 25V K RECT.	チップセラ (B)	
C402	WM490201	MONOLITHIC CERAMIC CAP(CHIP)	0.470 50V K 2012	チップ積層セラコン	
C403	WQ471201	MONOLITHIC CERAMIC CAP(CHIP)	GRM32EB31E226KE15L	チップ積層セラコン	
C404	WN110600	MONOLITHIC CERAMIC CAP(CHIP)	4.700 25V K KAKUTE	チップ積層セラコン	
C413	VZ420802	MONOLITHIC CERAMIC CAP(CHIP)	0.100 100V K RECT.	チップ積層セラコン	
-418	VZ420802	MONOLITHIC CERAMIC CAP(CHIP)	0.100 100V K RECT.	チップ積層セラコン	
* C424	ZS036400	MONOLITHIC CERAMIC CAP(CHIP)	10P 100V J TE	チップ積層セラコン	
C427	WN110600	MONOLITHIC CERAMIC CAP(CHIP)	4.700 25V K KAKUTE	チップ積層セラコン	
C501	V8085401	CERAMIC CAPACITOR (CHIP)	0.1000 25V K RECT.	チップセラ (B)	
C502	WM490201	MONOLITHIC CERAMIC CAP(CHIP)	0.470 50V K 2012	チップ積層セラコン	
C503	WQ471201	MONOLITHIC CERAMIC CAP(CHIP)	GRM32EB31E226KE15L	チップ積層セラコン	
C504	WN110600	MONOLITHIC CERAMIC CAP(CHIP)	4.700 25V K KAKUTE	チップ積層セラコン	
C513	VZ420802	MONOLITHIC CERAMIC CAP(CHIP)	0.100 100V K RECT.	チップ積層セラコン	
-518	VZ420802	MONOLITHIC CERAMIC CAP(CHIP)	0.100 100V K RECT.	チップ積層セラコン	
* C524	ZS036400	MONOLITHIC CERAMIC CAP(CHIP)	10P 100V J TE	チップ積層セラコン	
C527	WN110600	MONOLITHIC CERAMIC CAP(CHIP)	4.700 25V K KAKUTE	チップ積層セラコン	
C610	V8085401	CERAMIC CAPACITOR (CHIP)	0.1000 25V K RECT.	チップセラ (B)	
C615	V8085401	CERAMIC CAPACITOR (CHIP)	0.1000 25V K RECT.	チップセラ (B)	
C705	US063152	CERAMIC CAPACITOR (CHIP)	1500P 50V K RECT.	チップセラ (B)	
C720	US062271	CERAMIC CAPACITOR (CHIP)	270P 50V J RECT.	チップセラ (S L)	
C721	US062102	CERAMIC CAPACITOR (CHIP)	100P 50V J RECT.	チップセラ (S L)	
C722	US062221	CERAMIC CAPACITOR (CHIP)	220P 50V J RECT.	チップセラ (S L)	
C722	V7036600	CERAMIC CAPACITOR (CHIP)	220P 50V J KAKUTE	チップセラ C H	
C723	US062102	CERAMIC CAPACITOR (CHIP)	100P 50V J RECT.	チップセラ (S L)	
C724	US062102	CERAMIC CAPACITOR (CHIP)	100P 50V J RECT.	チップセラ (S L)	
C740	V8085401	CERAMIC CAPACITOR (CHIP)	0.1000 25V K RECT.	チップセラ (B)	
-743	V8085401	CERAMIC CAPACITOR (CHIP)	0.1000 25V K RECT.	チップセラ (B)	
C744	US061331	CERAMIC CAPACITOR (CHIP)	33P 50V J RECT.	チップセラ (C H)	
C745	US062151	CERAMIC CAPACITOR (CHIP)	150P 50V J RECT.	チップセラ (S L)	
C745	V5850700	CERAMIC CAPACITOR (CHIP)	150P 50V J KAKUTE	チップセラ C H	
C746	US044222	CERAMIC CAPACITOR (CHIP)	0.0220 25V K RECT.	チップセラ (B)	
C747	US062151	CERAMIC CAPACITOR (CHIP)	150P 50V J RECT.	チップセラ (S L)	
C747	V5850700	CERAMIC CAPACITOR (CHIP)	150P 50V J KAKUTE	チップセラ C H	
C748	US062151	CERAMIC CAPACITOR (CHIP)	150P 50V J RECT.	チップセラ (S L)	
C748	V5850700	CERAMIC CAPACITOR (CHIP)	150P 50V J KAKUTE	チップセラ C H	
C749	US062102	CERAMIC CAPACITOR (CHIP)	100P 50V J RECT.	チップセラ (S L)	
C750	US062102	CERAMIC CAPACITOR (CHIP)	100P 50V J RECT.	チップセラ (S L)	
C805	US063152	CERAMIC CAPACITOR (CHIP)	1500P 50V K RECT.	チップセラ (B)	
C820	US062271	CERAMIC CAPACITOR (CHIP)	270P 50V J RECT.	チップセラ (S L)	
C821	US062102	CERAMIC CAPACITOR (CHIP)	100P 50V J RECT.	チップセラ (S L)	
C822	US062221	CERAMIC CAPACITOR (CHIP)	220P 50V J RECT.	チップセラ (S L)	
C822	V7036600	CERAMIC CAPACITOR (CHIP)	220P 50V J KAKUTE	チップセラ C H	
C823	US062102	CERAMIC CAPACITOR (CHIP)	100P 50V J RECT.	チップセラ (S L)	
C824	US062102	CERAMIC CAPACITOR (CHIP)	100P 50V J RECT.	チップセラ (S L)	
C840	V8085401	CERAMIC CAPACITOR (CHIP)	0.1000 25V K RECT.	チップセラ (B)	

*: New Parts

AMP7/AMP5

REF NO.	PART NO.	DESCRIPTION		部 品 名	REMARKS	QTY
-843	V8085401	CERAMIC CAPACITOR (CHIP)	0.1000 25V K RECT.	チップセラ (B)		
C844	US061331	CERAMIC CAPACITOR (CHIP)	33P 50V J RECT.	チップセラ (C H)		
C845	US062151	CERAMIC CAPACITOR (CHIP)	150P 50V J RECT.	チップセラ (S L)		
C845	V5850700	CERAMIC CAPACITOR (CHIP)	150P 50V J KAKUTE	チップセラ C H		
C846	US044222	CERAMIC CAPACITOR (CHIP)	0.0220 25V K RECT.	チップセラ (B)		
C847	US062151	CERAMIC CAPACITOR (CHIP)	150P 50V J RECT.	チップセラ (S L)		
C847	V5850700	CERAMIC CAPACITOR (CHIP)	150P 50V J KAKUTE	チップセラ C H		
C848	US062151	CERAMIC CAPACITOR (CHIP)	150P 50V J RECT.	チップセラ (S L)		
C848	V5850700	CERAMIC CAPACITOR (CHIP)	150P 50V J KAKUTE	チップセラ C H		
C849	US062102	CERAMIC CAPACITOR (CHIP)	100P 50V J RECT.	チップセラ (S L)		
C850	US062102	CERAMIC CAPACITOR (CHIP)	100P 50V J RECT.	チップセラ (S L)		
C901	V8085401	CERAMIC CAPACITOR (CHIP)	0.1000 25V K RECT.	チップセラ (B)		
C902	V8085401	CERAMIC CAPACITOR (CHIP)	0.1000 25V K RECT.	チップセラ (B)		
C903	WG888201	MONOLITHIC CERAMIC CAP(CHIP)	10.0 25V K TP	チップ積層セラコン		
C904	WG888201	MONOLITHIC CERAMIC CAP(CHIP)	10.0 25V K TP	チップ積層セラコン		
C905	V8085401	CERAMIC CAPACITOR (CHIP)	0.1000 25V K RECT.	チップセラ (B)		
C906	V8085401	CERAMIC CAPACITOR (CHIP)	0.1000 25V K RECT.	チップセラ (B)		
C907	WG888201	MONOLITHIC CERAMIC CAP(CHIP)	10.0 25V K TP	チップ積層セラコン		
C908	WG888201	MONOLITHIC CERAMIC CAP(CHIP)	10.0 25V K TP	チップ積層セラコン		
D301	WG139300	DIODE (CHIP)	KDS4148U-RTK/P TE	チップダイオード		
D403	WG139300	DIODE (CHIP)	KDS4148U-RTK/P TE	チップダイオード		
D404	WG139300	DIODE (CHIP)	KDS4148U-RTK/P TE	チップダイオード		
D503	WG139300	DIODE (CHIP)	KDS4148U-RTK/P TE	チップダイオード		
D504	WG139300	DIODE (CHIP)	KDS4148U-RTK/P TE	チップダイオード		
D701	WG139300	DIODE (CHIP)	KDS4148U-RTK/P TE	チップダイオード		
D702	WG139300	DIODE (CHIP)	KDS4148U-RTK/P TE	チップダイオード		
D801	WG139300	DIODE (CHIP)	KDS4148U-RTK/P TE	チップダイオード		
D802	WG139300	DIODE (CHIP)	KDS4148U-RTK/P TE	チップダイオード		
DA101	WY281800	DIODE ARRAY	DB3J314F0L 0.15A X	ダイオードアレイ		
DA702	VV556301	DIODE ARRAY	DAN217 0.3A X2	ダイオードアレイ		
EM301	WE05620R	EMI FILTER (CHIP)	NFM21PC105B1A3D	エミフィルチップ		
-303	WE05620R	EMI FILTER (CHIP)	NFM21PC105B1A3D	エミフィルチップ		
FT101	WH249200	FET (CHIP)	2SK208-GR(TE85L,F)	F E T		
FT201	WH249200	FET (CHIP)	2SK208-GR(TE85L,F)	F E T		
IC302	XS775A01	IC	TC7SH04FU	I C	INVERTER	
IC303	XV892B00	IC	TC74VHC74FT(EL,K)	I C	D-FF	
IC304	XS775A01	IC	TC7SH04FU	I C	INVERTER	
IC305	YF978A00	IC	YDA177-VZ	I C	D-AMP MODULATOR DP200	
IC306	X5450A00	IC	TC7S14F	I C	SCHMIT INVERTER	
IC307	X5450A00	IC	TC7S14F	I C	SCHMIT INVERTER	
IC310	XY806A0R	IC	TC7WH14FU(TE12L,F)	I C	INVERTER	
IC311	X3505A01	IC	NJM2068M-D(TE2)	I C	OP AMP	
IC312	X3505A01	IC	NJM2068M-D(TE2)	I C	OP AMP	
IC401	YG212A00	IC	SI8244BB-D-IS1R	I C	GATE DRIVER	
IC501	YG212A00	IC	SI8244BB-D-IS1R	I C	GATE DRIVER	
IC901	X3505A01	IC	NJM2068M-D(TE2)	I C	OP AMP	
IC902	X3505A01	IC	NJM2068M-D(TE2)	I C	OP AMP	
IC905	X6897A00	IC	BA4560RF-E2	I C	OP AMP	
IC906	X4543A0R	IC	NJM072BM-E(TE1)	I C	OP AMP	
IC907	X6897A00	IC	BA4560RF-E2	I C	OP AMP	
IC908	X4543A0R	IC	NJM072BM-E(TE1)	I C	OP AMP	
L605	V3232701	INDUCTANCE (CHIP)	120U	チップインダクタ		
R101	RD350003	CARBON RESISTOR (CHIP)	0 63M J RECT.	チップ抵抗		
R105	RD355101	CARBON RESISTOR (CHIP)	100.0 63M J RECT.	チップ抵抗		
R109	RD350003	CARBON RESISTOR (CHIP)	0 63M J RECT.	チップ抵抗		
R120	RD357102	CARBON RESISTOR (CHIP)	10.0K 63M J RECT.	チップ抵抗		
R121	RD356472	CARBON RESISTOR (CHIP)	4.7K 63M J RECT.	チップ抵抗		
-123	RD356472	CARBON RESISTOR (CHIP)	4.7K 63M J RECT.	チップ抵抗		
R124	RD357472	CARBON RESISTOR (CHIP)	47.0K 63M J RECT.	チップ抵抗		
R132	RF457750	CARBON FILM RESISTOR (CHIP)	75.0K D RECT.	チップ抵抗		
R133	RF457750	CARBON FILM RESISTOR (CHIP)	75.0K D RECT.	チップ抵抗		
R134	RF455821	CARBON RESISTOR (CHIP)	820.0 D RECT.	チップ抵抗	EMX7	
R134	RF456121	CARBON RESISTOR (CHIP)	1.2K D 1608	チップ抵抗	EMX5	
R135	RF455150	CARBON RESISTOR (CHIP)	150.0 D RECT.	チップ抵抗	EMX7	
R135	RD350003	CARBON RESISTOR (CHIP)	0 63M J RECT.	チップ抵抗	EMX5	
R140	RD350003	CARBON RESISTOR (CHIP)	0 63M J RECT.	チップ抵抗		
R141	RD350003	CARBON RESISTOR (CHIP)	0 63M J RECT.	チップ抵抗		
R144	RF457471	CARBON RESISTOR (CHIP)	47.0K D RECT.	チップ抵抗	EMX7	
R144	RF457151	CARBON RESISTOR (CHIP)	15.0K D 1608	チップ抵抗	EMX5	
R145	RD350003	CARBON RESISTOR (CHIP)	0 63M J RECT.	チップ抵抗	EMX7	

*: New Parts

AMP7/AMP5

REF NO.	PART NO.	DESCRIPTION		部	品	名	REMARKS	QTY
R145	RF456222	CARBON RESISTOR (CHIP)	2.2K D RECT.	チ	ッ	ブ 抵 抗	EMX5	
R146	RF457151	CARBON RESISTOR (CHIP)	15.0K D 1608	チ	ッ	ブ 抵 抗		
R201	RD350003	CARBON RESISTOR (CHIP)	0 63M J RECT.	チ	ッ	ブ 抵 抗		
R202	RF456822	CARBON RESISTOR (CHIP)	8.2K D RECT.	チ	ッ	ブ 抵 抗		
R209	RD350003	CARBON RESISTOR (CHIP)	0 63M J RECT.	チ	ッ	ブ 抵 抗		
R220	RD357102	CARBON RESISTOR (CHIP)	10.0K 63M J RECT.	チ	ッ	ブ 抵 抗		
R221	RD356472	CARBON RESISTOR (CHIP)	4.7K 63M J RECT.	チ	ッ	ブ 抵 抗		
-223	RD356472	CARBON RESISTOR (CHIP)	4.7K 63M J RECT.	チ	ッ	ブ 抵 抗		
R224	RD357472	CARBON RESISTOR (CHIP)	47.0K 63M J RECT.	チ	ッ	ブ 抵 抗		
R232	RF457750	CARBON FILM RESISTOR (CHIP)	75.0K D RECT.	チ	ッ	ブ 抵 抗		
R233	RF457750	CARBON FILM RESISTOR (CHIP)	75.0K D RECT.	チ	ッ	ブ 抵 抗		
R234	RF455821	CARBON RESISTOR (CHIP)	820.0 D RECT.	チ	ッ	ブ 抵 抗	EMX7	
R234	RF456121	CARBON RESISTOR (CHIP)	1.2K D 1608	チ	ッ	ブ 抵 抗	EMX5	
R235	RF455150	CARBON RESISTOR (CHIP)	150.0 D RECT.	チ	ッ	ブ 抵 抗	EMX7	
R235	RD350003	CARBON RESISTOR (CHIP)	0 63M J RECT.	チ	ッ	ブ 抵 抗	EMX5	
R240	RD350003	CARBON RESISTOR (CHIP)	0 63M J RECT.	チ	ッ	ブ 抵 抗		
R241	RD350003	CARBON RESISTOR (CHIP)	0 63M J RECT.	チ	ッ	ブ 抵 抗		
R244	RF457471	CARBON RESISTOR (CHIP)	47.0K D RECT.	チ	ッ	ブ 抵 抗	EMX7	
R244	RF457151	CARBON RESISTOR (CHIP)	15.0K D 1608	チ	ッ	ブ 抵 抗	EMX5	
R245	RD350003	CARBON RESISTOR (CHIP)	0 63M J RECT.	チ	ッ	ブ 抵 抗	EMX7	
R245	RF456222	CARBON RESISTOR (CHIP)	2.2K D RECT.	チ	ッ	ブ 抵 抗	EMX5	
R246	RF457151	CARBON RESISTOR (CHIP)	15.0K D 1608	チ	ッ	ブ 抵 抗		
R310	RD354472	CARBON RESISTOR (CHIP)	47.0 63M J RECT.	チ	ッ	ブ 抵 抗		
R311	RD354472	CARBON RESISTOR (CHIP)	47.0 63M J RECT.	チ	ッ	ブ 抵 抗		
R312	RD350003	CARBON RESISTOR (CHIP)	0 63M J RECT.	チ	ッ	ブ 抵 抗		
-315	RD350003	CARBON RESISTOR (CHIP)	0 63M J RECT.	チ	ッ	ブ 抵 抗		
R316	RD354472	CARBON RESISTOR (CHIP)	47.0 63M J RECT.	チ	ッ	ブ 抵 抗		
-318	RD354472	CARBON RESISTOR (CHIP)	47.0 63M J RECT.	チ	ッ	ブ 抵 抗		
R319	RD350003	CARBON RESISTOR (CHIP)	0 63M J RECT.	チ	ッ	ブ 抵 抗	EMX7	
R320	RD350003	CARBON RESISTOR (CHIP)	0 63M J RECT.	チ	ッ	ブ 抵 抗	EMX5	
R321	RD354472	CARBON RESISTOR (CHIP)	47.0 63M J RECT.	チ	ッ	ブ 抵 抗		
R322	RD350003	CARBON RESISTOR (CHIP)	0 63M J RECT.	チ	ッ	ブ 抵 抗		
R330	RD356272	CARBON RESISTOR (CHIP)	2.7K 63M J RECT.	チ	ッ	ブ 抵 抗		
R331	RD359102	CARBON RESISTOR (CHIP)	1.0M 63M J RECT.	チ	ッ	ブ 抵 抗		
R335	RD356472	CARBON RESISTOR (CHIP)	4.7K 63M J RECT.	チ	ッ	ブ 抵 抗		
R336	RD354472	CARBON RESISTOR (CHIP)	47.0 63M J RECT.	チ	ッ	ブ 抵 抗		
R337	RD354472	CARBON RESISTOR (CHIP)	47.0 63M J RECT.	チ	ッ	ブ 抵 抗		
R338	RD356103	CARBON RESISTOR (CHIP)	1.0K 63M J RECT.	チ	ッ	ブ 抵 抗		
R339	RD356103	CARBON RESISTOR (CHIP)	1.0K 63M J RECT.	チ	ッ	ブ 抵 抗		
R340	RD357332	CARBON RESISTOR (CHIP)	33.0K 63M J RECT.	チ	ッ	ブ 抵 抗		
R342	RD354472	CARBON RESISTOR (CHIP)	47.0 63M J RECT.	チ	ッ	ブ 抵 抗		
R343	RD350003	CARBON RESISTOR (CHIP)	0 63M J RECT.	チ	ッ	ブ 抵 抗		
R344	RD150001	CARBON RESISTOR (CHIP)	0.0 1/4 J TP	チ	ッ	ブ 抵 抗		
R345	RD150001	CARBON RESISTOR (CHIP)	0.0 1/4 J TP	チ	ッ	ブ 抵 抗		
R349	RD355562	CARBON RESISTOR (CHIP)	560.0 63M J RECT.	チ	ッ	ブ 抵 抗		
R351	RD356472	CARBON RESISTOR (CHIP)	4.7K 63M J RECT.	チ	ッ	ブ 抵 抗		
R353	RD356472	CARBON RESISTOR (CHIP)	4.7K 63M J RECT.	チ	ッ	ブ 抵 抗		
R354	RD354332	CARBON RESISTOR (CHIP)	33.0 63M J RECT.	チ	ッ	ブ 抵 抗		
-357	RD354332	CARBON RESISTOR (CHIP)	33.0 63M J RECT.	チ	ッ	ブ 抵 抗		
R360	RD350003	CARBON RESISTOR (CHIP)	0 63M J RECT.	チ	ッ	ブ 抵 抗	EMX7	
R361	RD350003	CARBON RESISTOR (CHIP)	0 63M J RECT.	チ	ッ	ブ 抵 抗	EMX5	
R401	RF456471	CARBON RESISTOR (CHIP)	4.7K D RECT.	チ	ッ	ブ 抵 抗		
R404	RD153221	CARBON RESISTOR (CHIP)	2.2 1/4 J TP	チ	ッ	ブ 抵 抗		
R405	RD154221	CARBON RESISTOR (CHIP)	22.0 1/4 J TP	チ	ッ	ブ 抵 抗		
R406	RD153221	CARBON RESISTOR (CHIP)	2.2 1/4 J TP	チ	ッ	ブ 抵 抗		
R407	RD154221	CARBON RESISTOR (CHIP)	22.0 1/4 J TP	チ	ッ	ブ 抵 抗		
R408	RD357102	CARBON RESISTOR (CHIP)	10.0K 63M J RECT.	チ	ッ	ブ 抵 抗		
R409	RD357102	CARBON RESISTOR (CHIP)	10.0K 63M J RECT.	チ	ッ	ブ 抵 抗		
* R423	WQ852600	CARBON RESISTOR (CHIP)	100.0 1W J 5025	チ	ッ	ブ 抵 抗		
R424	RD158101	CARBON RESISTOR (CHIP)	100K 1/4 J TP	チ	ッ	ブ 抵 抗		
R425	RD158101	CARBON RESISTOR (CHIP)	100K 1/4 J TP	チ	ッ	ブ 抵 抗		
* R426	ZM992200	CARBON RESISTOR (CHIP)	0.047 2W F 3264	チ	ッ	ブ 抵 抗	EMX7	
* R426	ZM992400	CARBON RESISTOR (CHIP)	0.068 2W F 3264	チ	ッ	ブ 抵 抗	EMX5	
* R427	ZM992200	CARBON RESISTOR (CHIP)	0.047 2W F 3264	チ	ッ	ブ 抵 抗	EMX7	
* R427	ZM992400	CARBON RESISTOR (CHIP)	0.068 2W F 3264	チ	ッ	ブ 抵 抗	EMX5	
* R431	ZS036200	CARBON RESISTOR (CHIP)	33.0 1/4 F	チ	ッ	ブ 抵 抗		
* R432	ZS036200	CARBON RESISTOR (CHIP)	33.0 1/4 F	チ	ッ	ブ 抵 抗		
R433	RD157681	CARBON RESISTOR (CHIP)	68.0K 1/4 J TP	チ	ッ	ブ 抵 抗		
R435	RD154221	CARBON RESISTOR (CHIP)	22.0 1/4 J TP	チ	ッ	ブ 抵 抗		
R436	RD154221	CARBON RESISTOR (CHIP)	22.0 1/4 J TP	チ	ッ	ブ 抵 抗		

*: New Parts

AMP7/AMP5

REF NO.	PART NO.	DESCRIPTION	部	品	名	REMARKS	QTY
R501	RF456471	CARBON RESISTOR (CHIP) 4.7K D RECT.	チ	ッ	ブ	抵抗	
R504	RD153221	CARBON RESISTOR (CHIP) 2.2 1/4 J TP	チ	ッ	ブ	抵抗	
R505	RD154221	CARBON RESISTOR (CHIP) 22.0 1/4 J TP	チ	ッ	ブ	抵抗	
R506	RD153221	CARBON RESISTOR (CHIP) 2.2 1/4 J TP	チ	ッ	ブ	抵抗	
R507	RD154221	CARBON RESISTOR (CHIP) 22.0 1/4 J TP	チ	ッ	ブ	抵抗	
R508	RD357102	CARBON RESISTOR (CHIP) 10.0K 63M J RECT.	チ	ッ	ブ	抵抗	
R509	RD357102	CARBON RESISTOR (CHIP) 10.0K 63M J RECT.	チ	ッ	ブ	抵抗	
* R523	WQ852600	CARBON RESISTOR (CHIP) 100.0 1W J 5025	チ	ッ	ブ	抵抗	
R524	RD158101	CARBON RESISTOR (CHIP) 100K 1/4 J TP	チ	ッ	ブ	抵抗	
R525	RD158101	CARBON RESISTOR (CHIP) 100K 1/4 J TP	チ	ッ	ブ	抵抗	
* R526	ZM992200	CARBON RESISTOR (CHIP) 0.047 2W F 3264	チ	ッ	ブ	抵抗	EMX7
* R526	ZM992400	CARBON RESISTOR (CHIP) 0.068 2W F 3264	チ	ッ	ブ	抵抗	EMX5
* R527	ZM992200	CARBON RESISTOR (CHIP) 0.047 2W F 3264	チ	ッ	ブ	抵抗	EMX7
* R527	ZM992400	CARBON RESISTOR (CHIP) 0.068 2W F 3264	チ	ッ	ブ	抵抗	EMX5
* R531	ZS036200	CARBON RESISTOR (CHIP) 33.0 1/4 F	チ	ッ	ブ	抵抗	
* R532	ZS036200	CARBON RESISTOR (CHIP) 33.0 1/4 F	チ	ッ	ブ	抵抗	
R533	RD157681	CARBON RESISTOR (CHIP) 68.0K 1/4 J TP	チ	ッ	ブ	抵抗	
R535	RD154221	CARBON RESISTOR (CHIP) 22.0 1/4 J TP	チ	ッ	ブ	抵抗	
R536	RD154221	CARBON RESISTOR (CHIP) 22.0 1/4 J TP	チ	ッ	ブ	抵抗	
R706	RD358102	CARBON RESISTOR (CHIP) 100.0K 63M J RECT.	チ	ッ	ブ	抵抗	
R707	RD357102	CARBON RESISTOR (CHIP) 10.0K 63M J RECT.	チ	ッ	ブ	抵抗	
R710	RD157330	CARBON RESISTOR (CHIP) 33.0K 1/4 J TP	チ	ッ	ブ	抵抗	
R720	RF456471	CARBON RESISTOR (CHIP) 4.7K D RECT.	チ	ッ	ブ	抵抗	
R721	RF456471	CARBON RESISTOR (CHIP) 4.7K D RECT.	チ	ッ	ブ	抵抗	
R722	RF457332	CARBON RESISTOR (CHIP) 33.0K D RECT.	チ	ッ	ブ	抵抗	
R723	RF457332	CARBON RESISTOR (CHIP) 33.0K D RECT.	チ	ッ	ブ	抵抗	
R724	RF457151	CARBON RESISTOR (CHIP) 15.0K D 1608	チ	ッ	ブ	抵抗	EMX7
R724	RF457182	CARBON RESISTOR (CHIP) 18.0K D RECT.	チ	ッ	ブ	抵抗	EMX5
R725	RD350003	CARBON RESISTOR (CHIP) 0 63M J RECT.	チ	ッ	ブ	抵抗	
R726	RF457151	CARBON RESISTOR (CHIP) 15.0K D 1608	チ	ッ	ブ	抵抗	
R727	RD350003	CARBON RESISTOR (CHIP) 0 63M J RECT.	チ	ッ	ブ	抵抗	
R740	RF457103	CARBON RESISTOR (CHIP) 10.0K D RECT.	チ	ッ	ブ	抵抗	EMX7
R740	RF457121	CARBON RESISTOR (CHIP) 12.0K D RECT.	チ	ッ	ブ	抵抗	EMX5
R741	RD350003	CARBON RESISTOR (CHIP) 0 63M J RECT.	チ	ッ	ブ	抵抗	EMX7
R741	RF456222	CARBON RESISTOR (CHIP) 2.2K D RECT.	チ	ッ	ブ	抵抗	EMX5
R742	RF457471	CARBON RESISTOR (CHIP) 47.0K D RECT.	チ	ッ	ブ	抵抗	
R743	RF457103	CARBON RESISTOR (CHIP) 10.0K D RECT.	チ	ッ	ブ	抵抗	
R744	RF457103	CARBON RESISTOR (CHIP) 10.0K D RECT.	チ	ッ	ブ	抵抗	
R745	RD358471	CARBON RESISTOR (CHIP) 470.0K 63M J RECT.	チ	ッ	ブ	抵抗	
R746	RF457103	CARBON RESISTOR (CHIP) 10.0K D RECT.	チ	ッ	ブ	抵抗	
-749	RF457103	CARBON RESISTOR (CHIP) 10.0K D RECT.	チ	ッ	ブ	抵抗	
R750	RD357102	CARBON RESISTOR (CHIP) 10.0K 63M J RECT.	チ	ッ	ブ	抵抗	
R753	RD357102	CARBON RESISTOR (CHIP) 10.0K 63M J RECT.	チ	ッ	ブ	抵抗	
R758	RD355472	CARBON RESISTOR (CHIP) 470.0 63M J RECT.	チ	ッ	ブ	抵抗	
R806	RD358102	CARBON RESISTOR (CHIP) 100.0K 63M J RECT.	チ	ッ	ブ	抵抗	
R807	RD357102	CARBON RESISTOR (CHIP) 10.0K 63M J RECT.	チ	ッ	ブ	抵抗	
R810	RD157330	CARBON RESISTOR (CHIP) 33.0K 1/4 J TP	チ	ッ	ブ	抵抗	
R820	RF456471	CARBON RESISTOR (CHIP) 4.7K D RECT.	チ	ッ	ブ	抵抗	
R821	RF456471	CARBON RESISTOR (CHIP) 4.7K D RECT.	チ	ッ	ブ	抵抗	
R822	RF457332	CARBON RESISTOR (CHIP) 33.0K D RECT.	チ	ッ	ブ	抵抗	
R823	RF457332	CARBON RESISTOR (CHIP) 33.0K D RECT.	チ	ッ	ブ	抵抗	
R824	RF457151	CARBON RESISTOR (CHIP) 15.0K D 1608	チ	ッ	ブ	抵抗	EMX7
R824	RF457182	CARBON RESISTOR (CHIP) 18.0K D RECT.	チ	ッ	ブ	抵抗	EMX5
R825	RD350003	CARBON RESISTOR (CHIP) 0 63M J RECT.	チ	ッ	ブ	抵抗	
R826	RF457151	CARBON RESISTOR (CHIP) 15.0K D 1608	チ	ッ	ブ	抵抗	
R827	RD350003	CARBON RESISTOR (CHIP) 0 63M J RECT.	チ	ッ	ブ	抵抗	
R840	RF457103	CARBON RESISTOR (CHIP) 10.0K D RECT.	チ	ッ	ブ	抵抗	EMX7
R840	RF457121	CARBON RESISTOR (CHIP) 12.0K D RECT.	チ	ッ	ブ	抵抗	EMX5
R841	RD350003	CARBON RESISTOR (CHIP) 0 63M J RECT.	チ	ッ	ブ	抵抗	EMX7
R841	RF456222	CARBON RESISTOR (CHIP) 2.2K D RECT.	チ	ッ	ブ	抵抗	EMX5
R842	RF457471	CARBON RESISTOR (CHIP) 47.0K D RECT.	チ	ッ	ブ	抵抗	
R843	RF457103	CARBON RESISTOR (CHIP) 10.0K D RECT.	チ	ッ	ブ	抵抗	
R844	RF457103	CARBON RESISTOR (CHIP) 10.0K D RECT.	チ	ッ	ブ	抵抗	
R845	RD358471	CARBON RESISTOR (CHIP) 470.0K 63M J RECT.	チ	ッ	ブ	抵抗	
R846	RF457103	CARBON RESISTOR (CHIP) 10.0K D RECT.	チ	ッ	ブ	抵抗	
-849	RF457103	CARBON RESISTOR (CHIP) 10.0K D RECT.	チ	ッ	ブ	抵抗	
R850	RD357102	CARBON RESISTOR (CHIP) 10.0K 63M J RECT.	チ	ッ	ブ	抵抗	
R853	RD357102	CARBON RESISTOR (CHIP) 10.0K 63M J RECT.	チ	ッ	ブ	抵抗	
R858	RD355472	CARBON RESISTOR (CHIP) 470.0 63M J RECT.	チ	ッ	ブ	抵抗	
TH702	WY216000	THERMISTOR (CHIP) NCP18XW223J03RB 22	チ	ッ	ブ	サーミスタ	

*: New Parts

AMP7/AMP5

REF NO.	PART NO.	DESCRIPTION		部 品 名	REMARKS	QTY
TR802	WY216000	THERMISTOR (CHIP)	NCP18XW223J03RB 22	チップサーミスタ		
TR101	WC529502	TRANSISTOR	KTA1504S-Y,GR-RTK	トランジスタ		
TR102	WC529402	TRANSISTOR	KTC3875S-Y,GR-RTK	トランジスタ		
TR201	WC529502	TRANSISTOR	KTA1504S-Y,GR-RTK	トランジスタ		
TR202	WC529402	TRANSISTOR	KTC3875S-Y,GR-RTK	トランジスタ		
TR203	WC529402	TRANSISTOR	KTC3875S-Y,GR-RTK	トランジスタ		
TR204	WC529502	TRANSISTOR	KTA1504S-Y,GR-RTK	トランジスタ		
TR403	ZD255801	TRANSISTOR	2SAR513P	トランジスタ 2 S A		
TR404	ZD255801	TRANSISTOR	2SAR513P	トランジスタ 2 S A		
TR503	ZD255801	TRANSISTOR	2SAR513P	トランジスタ 2 S A		
TR504	ZD255801	TRANSISTOR	2SAR513P	トランジスタ 2 S A		
TR701	WC529402	TRANSISTOR	KTC3875S-Y,GR-RTK	トランジスタ		
TR702	WC529402	TRANSISTOR	KTC3875S-Y,GR-RTK	トランジスタ		
TR705	WC529502	TRANSISTOR	KTA1504S-Y,GR-RTK	トランジスタ		
TR801	WC529402	TRANSISTOR	KTC3875S-Y,GR-RTK	トランジスタ		
TR802	WC529402	TRANSISTOR	KTC3875S-Y,GR-RTK	トランジスタ		
TR805	WC529502	TRANSISTOR	KTA1504S-Y,GR-RTK	トランジスタ		
X301	WS190001	QUARTZ CRYSTAL UNIT	24.576MHz	水晶振動子		
C100	UR847471	ELECTROLYTIC CAPACITOR	47.00 25.0V RX TP	ケミコン		
C102	UR847471	ELECTROLYTIC CAPACITOR	47.00 25.0V RX TP	ケミコン		
C105	UR847471	ELECTROLYTIC CAPACITOR	47.00 25.0V RX TP	ケミコン		
C111	UR847471	ELECTROLYTIC CAPACITOR	47.00 25.0V RX TP	ケミコン		
C116	UR847471	ELECTROLYTIC CAPACITOR	47.00 25.0V RX TP	ケミコン		
C200	UR847471	ELECTROLYTIC CAPACITOR	47.00 25.0V RX TP	ケミコン		
C202	UR847471	ELECTROLYTIC CAPACITOR	47.00 25.0V RX TP	ケミコン		
C205	UR847471	ELECTROLYTIC CAPACITOR	47.00 25.0V RX TP	ケミコン		
C211	UR847471	ELECTROLYTIC CAPACITOR	47.00 25.0V RX TP	ケミコン		
C216	UR847471	ELECTROLYTIC CAPACITOR	47.00 25.0V RX TP	ケミコン		
C303	UU24822R	ELECTROLYTIC CAPACITOR	220.00 25.0V RX TP	ケミコン F W		
C304	UU24822R	ELECTROLYTIC CAPACITOR	220.00 25.0V RX TP	ケミコン F W		
C307	UU247471	ELECTROLYTIC CAPACITOR	47.00 25.0V RX TP	ケミコン F W		
C308	UU247471	ELECTROLYTIC CAPACITOR	47.00 25.0V RX TP	ケミコン F W		
C379	UR839101	ELECTROLYTIC CAPACITOR	1000 16.0V RX TP	ケミコン		
C380	UR839101	ELECTROLYTIC CAPACITOR	1000 16.0V RX TP	ケミコン		
C405	WF20440R	ELECTROLYTIC CAPACITOR	22 25.0V TE	ケミコン		
* C421	ZT158800	POLYESTER FILM CAPACITOR	0.0220 250V J FORM	P P コン		
C505	WF20440R	ELECTROLYTIC CAPACITOR	22 25.0V TE	ケミコン		
* C521	ZT158800	POLYESTER FILM CAPACITOR	0.0220 250V J FORM	P P コン		
C609	WF204501	ELECTROLYTIC CAPACITOR	220 25.0V TE	ケミコン		
C614	WF204501	ELECTROLYTIC CAPACITOR	220 25.0V TE	ケミコン		
C703	UR847471	ELECTROLYTIC CAPACITOR	47.00 25.0V RX TP	ケミコン		
C751	UR847471	ELECTROLYTIC CAPACITOR	47.00 25.0V RX TP	ケミコン		
C803	UR847471	ELECTROLYTIC CAPACITOR	47.00 25.0V RX TP	ケミコン		
C851	UR847471	ELECTROLYTIC CAPACITOR	47.00 25.0V RX TP	ケミコン		
L601	GE300611	FERRITE BEAD	BL02RN1R2P1A RX T	フェライトビーズ		
-604	GE300611	FERRITE BEAD	BL02RN1R2P1A RX T	フェライトビーズ		
C103	US062102	CERAMIC CAPACITOR (CHIP)	100P 50V J RECT.	チップセラ (S L)		
C104	US062681	CERAMIC CAPACITOR (CHIP)	680P 50V J RECT.	チップセラ (S L)		
C107	US062102	CERAMIC CAPACITOR (CHIP)	100P 50V J RECT.	チップセラ (S L)		
C110	US061471	CERAMIC CAPACITOR (CHIP)	47P 50V J RECT.	チップセラ (C H)		
C112	US063102	CERAMIC CAPACITOR (CHIP)	1000P 50V K RECT.	チップセラ (B)		
C113	US063102	CERAMIC CAPACITOR (CHIP)	1000P 50V K RECT.	チップセラ (B)		
C115	US062102	CERAMIC CAPACITOR (CHIP)	100P 50V J RECT.	チップセラ (S L)		
C130	US046102	CERAMIC CAPACITOR (CHIP)	1.00 25V K RECT.	チップセラ (B)		
C131	US046102	CERAMIC CAPACITOR (CHIP)	1.00 25V K RECT.	チップセラ (B)		
C151	US062102	CERAMIC CAPACITOR (CHIP)	100P 50V J RECT.	チップセラ (S L)		
C203	US062102	CERAMIC CAPACITOR (CHIP)	100P 50V J RECT.	チップセラ (S L)		
C204	US062681	CERAMIC CAPACITOR (CHIP)	680P 50V J RECT.	チップセラ (S L)		
C206	US064103	CERAMIC CAPACITOR (CHIP)	0.0100 50V K RECT.	チップセラ (B)		
C207	US062102	CERAMIC CAPACITOR (CHIP)	100P 50V J RECT.	チップセラ (S L)		
C210	US061471	CERAMIC CAPACITOR (CHIP)	47P 50V J RECT.	チップセラ (C H)		
C212	US063102	CERAMIC CAPACITOR (CHIP)	1000P 50V K RECT.	チップセラ (B)		
C213	US063102	CERAMIC CAPACITOR (CHIP)	1000P 50V K RECT.	チップセラ (B)		
C215	US062102	CERAMIC CAPACITOR (CHIP)	100P 50V J RECT.	チップセラ (S L)		
C230	US046102	CERAMIC CAPACITOR (CHIP)	1.00 25V K RECT.	チップセラ (B)		
C231	US046102	CERAMIC CAPACITOR (CHIP)	1.00 25V K RECT.	チップセラ (B)		
C251	US062102	CERAMIC CAPACITOR (CHIP)	100P 50V J RECT.	チップセラ (S L)		
C301	V8085401	CERAMIC CAPACITOR (CHIP)	0.1000 25V K RECT.	チップセラ (B)		
C302	V8085401	CERAMIC CAPACITOR (CHIP)	0.1000 25V K RECT.	チップセラ (B)		
C305	V8085401	CERAMIC CAPACITOR (CHIP)	0.1000 25V K RECT.	チップセラ (B)		

*: New Parts

AMP7/AMP5

REF NO.	PART NO.	DESCRIPTION		部 品 名	REMARKS	QTY
C306	V8085401	CERAMIC CAPACITOR (CHIP)	0.1000 25V K RECT.	チ ッ プ セ ラ (B)		
C311	US063102	CERAMIC CAPACITOR (CHIP)	1000P 50V K RECT.	チ ッ プ セ ラ (B)		
C312	US063102	CERAMIC CAPACITOR (CHIP)	1000P 50V K RECT.	チ ッ プ セ ラ (B)		
C347	US064103	CERAMIC CAPACITOR (CHIP)	0.0100 50V K RECT.	チ ッ プ セ ラ (B)		
C348	V8085401	CERAMIC CAPACITOR (CHIP)	0.1000 25V K RECT.	チ ッ プ セ ラ (B)		
C349	V8085401	CERAMIC CAPACITOR (CHIP)	0.1000 25V K RECT.	チ ッ プ セ ラ (B)		
C352	V8085401	CERAMIC CAPACITOR (CHIP)	0.1000 25V K RECT.	チ ッ プ セ ラ (B)		
C353	V8085401	CERAMIC CAPACITOR (CHIP)	0.1000 25V K RECT.	チ ッ プ セ ラ (B)		
C367	US064103	CERAMIC CAPACITOR (CHIP)	0.0100 50V K RECT.	チ ッ プ セ ラ (B)		
C368	US064103	CERAMIC CAPACITOR (CHIP)	0.0100 50V K RECT.	チ ッ プ セ ラ (B)		
C375	US064103	CERAMIC CAPACITOR (CHIP)	0.0100 50V K RECT.	チ ッ プ セ ラ (B)		
-378	US064103	CERAMIC CAPACITOR (CHIP)	0.0100 50V K RECT.	チ ッ プ セ ラ (B)		
C400	WE435800	CERAMIC CAPACITOR (CHIP)	1 250 K RECT.	チ ッ プ セ ラ		
C406	US063223	CERAMIC CAPACITOR (CHIP)	2200P 50V K RECT.	チ ッ プ セ ラ (B)		
C408	US063223	CERAMIC CAPACITOR (CHIP)	2200P 50V K RECT.	チ ッ プ セ ラ (B)		
C409	WK615700	MONOLITHIC CERAMIC CAP(CHIP)	220P 250V J KAKUTE	チ ッ プ 積 層 セ ラ コ ン		
-412	WK615700	MONOLITHIC CERAMIC CAP(CHIP)	220P 250V J KAKUTE	チ ッ プ 積 層 セ ラ コ ン		
C423	US064103	CERAMIC CAPACITOR (CHIP)	0.0100 50V K RECT.	チ ッ プ セ ラ (B)		
C426	WE435800	CERAMIC CAPACITOR (CHIP)	1 250 K RECT.	チ ッ プ セ ラ		
C500	WE435800	CERAMIC CAPACITOR (CHIP)	1 250 K RECT.	チ ッ プ セ ラ		
C506	US063223	CERAMIC CAPACITOR (CHIP)	2200P 50V K RECT.	チ ッ プ セ ラ (B)		
C508	US063223	CERAMIC CAPACITOR (CHIP)	2200P 50V K RECT.	チ ッ プ セ ラ (B)		
C509	WK615700	MONOLITHIC CERAMIC CAP(CHIP)	220P 250V J KAKUTE	チ ッ プ 積 層 セ ラ コ ン		
-512	WK615700	MONOLITHIC CERAMIC CAP(CHIP)	220P 250V J KAKUTE	チ ッ プ 積 層 セ ラ コ ン		
C523	US064103	CERAMIC CAPACITOR (CHIP)	0.0100 50V K RECT.	チ ッ プ セ ラ (B)		
C526	WE435800	CERAMIC CAPACITOR (CHIP)	1 250 K RECT.	チ ッ プ セ ラ		
C601	VZ420802	MONOLITHIC CERAMIC CAP(CHIP)	0.100 100V K RECT.	チ ッ プ 積 層 セ ラ コ ン		
C602	VZ420802	MONOLITHIC CERAMIC CAP(CHIP)	0.100 100V K RECT.	チ ッ プ 積 層 セ ラ コ ン		
C605	VZ420802	MONOLITHIC CERAMIC CAP(CHIP)	0.100 100V K RECT.	チ ッ プ 積 層 セ ラ コ ン		
C606	VZ420802	MONOLITHIC CERAMIC CAP(CHIP)	0.100 100V K RECT.	チ ッ プ 積 層 セ ラ コ ン		
C607	WJ835001	MONOLITHIC CERAMIC CAP(CHIP)	1000P 250V K KAKUT	チ ッ プ 積 層 セ ラ コ ン		
C608	WJ835001	MONOLITHIC CERAMIC CAP(CHIP)	1000P 250V K KAKUT	チ ッ プ 積 層 セ ラ コ ン		
C611	V8085401	CERAMIC CAPACITOR (CHIP)	0.1000 25V K RECT.	チ ッ プ セ ラ (B)		
C612	WG888201	MONOLITHIC CERAMIC CAP(CHIP)	10.0 25V K TP	チ ッ プ 積 層 セ ラ コ ン		
C613	WG888201	MONOLITHIC CERAMIC CAP(CHIP)	10.0 25V K TP	チ ッ プ 積 層 セ ラ コ ン		
C702	US035102	CERAMIC CAPACITOR (CHIP)	0.1000 16V K RECT.	チ ッ プ セ ラ (B)		
C704	US035102	CERAMIC CAPACITOR (CHIP)	0.1000 16V K RECT.	チ ッ プ セ ラ (B)		
C706	US035102	CERAMIC CAPACITOR (CHIP)	0.1000 16V K RECT.	チ ッ プ セ ラ (B)		
C802	US035102	CERAMIC CAPACITOR (CHIP)	0.1000 16V K RECT.	チ ッ プ セ ラ (B)		
C804	US035102	CERAMIC CAPACITOR (CHIP)	0.1000 16V K RECT.	チ ッ プ セ ラ (B)		
C806	US035102	CERAMIC CAPACITOR (CHIP)	0.1000 16V K RECT.	チ ッ プ セ ラ (B)		
D401	WJ459301	DIODE	D1FK60-5053 TE	ダ イ オ ー ド		
D402	WG139300	DIODE (CHIP)	KDS4148U-RTK/P TE	チ ッ プ ダ イ オ ー ド		
D501	WJ459301	DIODE	D1FK60-5053 TE	ダ イ オ ー ド		
D502	WG139300	DIODE (CHIP)	KDS4148U-RTK/P TE	チ ッ プ ダ イ オ ー ド		
D601	VS597601	DIODE	RB160L-40 TE25 TP	チ ッ プ ダ イ オ ー ド		
* DA102	ZV588100	DIODE ARRAY	DAN217UMTL 0.3A X2	ダ イ オ ー ド ア レ イ		
DA201	WY281800	DIODE ARRAY	DB3J314FOL 0.15A X	ダ イ オ ー ド ア レ イ		
* DA202	ZV588100	DIODE ARRAY	DAN217UMTL 0.3A X2	ダ イ オ ー ド ア レ イ		
DA701	VV556301	DIODE ARRAY	DAN217 0.3A X2	ダ イ オ ー ド ア レ イ		
DA801	VV556301	DIODE ARRAY	DAN217 0.3A X2	ダ イ オ ー ド ア レ イ		
DA802	VV556301	DIODE ARRAY	DAN217 0.3A X2	ダ イ オ ー ド ア レ イ		
IC301	X3505A01	IC	NJM2068M-D(TE2)	OP AMP		
IC308	X4543A0R	IC	NJM072BM-E(TE1)	OP AMP		
IC309	X4543A0R	IC	NJM072BM-E(TE1)	OP AMP		
R102	RF456822	CARBON RESISTOR (CHIP)	8.2K D RECT.	チ ッ プ 抵 抗		
R103	RF456822	CARBON RESISTOR (CHIP)	8.2K D RECT.	チ ッ プ 抵 抗		
R104	RF456391	CARBON RESISTOR (CHIP)	3.9K D RECT.	チ ッ プ 抵 抗		
R106	RF456822	CARBON RESISTOR (CHIP)	8.2K D RECT.	チ ッ プ 抵 抗		
R107	RF456822	CARBON RESISTOR (CHIP)	8.2K D RECT.	チ ッ プ 抵 抗		
R108	RF456391	CARBON RESISTOR (CHIP)	3.9K D RECT.	チ ッ プ 抵 抗		
R110	RF457332	CARBON RESISTOR (CHIP)	33.0K D RECT.	チ ッ プ 抵 抗		
R111	RF457103	CARBON RESISTOR (CHIP)	10.0K D RECT.	チ ッ プ 抵 抗	EMX7	
R111	RF457272	CARBON RESISTOR (CHIP)	27.0K D RECT.	チ ッ プ 抵 抗	EMX5	
R112	RF456471	CARBON RESISTOR (CHIP)	4.7K D RECT.	チ ッ プ 抵 抗	EMX7	
R112	RD350003	CARBON RESISTOR (CHIP)	0 63M J RECT.	チ ッ プ 抵 抗	EMX5	
R113	RF456200	CARBON RESISTOR (CHIP)	2.0K D RECT.	チ ッ プ 抵 抗		
R114	RD350003	CARBON RESISTOR (CHIP)	0 63M J RECT.	チ ッ プ 抵 抗		
R115	RD359150	CARBON RESISTOR (CHIP)	1.5M 63M J RECT.	チ ッ プ 抵 抗		
R116	RF456102	CARBON RESISTOR (CHIP)	1.0K D RECT.	チ ッ プ 抵 抗		

*: New Parts

AMP7/AMP5

REF NO.	PART NO.	DESCRIPTION	部	品	名	REMARKS	QTY
R117	RD356472	CARBON RESISTOR (CHIP)	4.7K 63M J RECT.	チ	ッ	ブ 抵 抗	
R118	RF456681	CARBON RESISTOR (CHIP)	6.8K D RECT.	チ	ッ	ブ 抵 抗	
R130	RF458150	CARBON RESISTOR (CHIP)	150.0K D RECT.	チ	ッ	ブ 抵 抗	
R131	RF458150	CARBON RESISTOR (CHIP)	150.0K D RECT.	チ	ッ	ブ 抵 抗	
R147	RF457222	CARBON RESISTOR (CHIP)	22.0K D RECT.	チ	ッ	ブ 抵 抗	
R148	RF457682	CARBON RESISTOR (CHIP)	68.0K D RECT.	チ	ッ	ブ 抵 抗	
R203	RF456822	CARBON RESISTOR (CHIP)	8.2K D RECT.	チ	ッ	ブ 抵 抗	
R204	RF456391	CARBON RESISTOR (CHIP)	3.9K D RECT.	チ	ッ	ブ 抵 抗	
R205	RD355101	CARBON RESISTOR (CHIP)	100.0 63M J RECT.	チ	ッ	ブ 抵 抗	
R206	RF456822	CARBON RESISTOR (CHIP)	8.2K D RECT.	チ	ッ	ブ 抵 抗	
R207	RF456822	CARBON RESISTOR (CHIP)	8.2K D RECT.	チ	ッ	ブ 抵 抗	
R208	RF456391	CARBON RESISTOR (CHIP)	3.9K D RECT.	チ	ッ	ブ 抵 抗	
R210	RF457332	CARBON RESISTOR (CHIP)	33.0K D RECT.	チ	ッ	ブ 抵 抗	
R211	RF457103	CARBON RESISTOR (CHIP)	10.0K D RECT.	チ	ッ	ブ 抵 抗	EMX7
R211	RF457272	CARBON RESISTOR (CHIP)	27.0K D RECT.	チ	ッ	ブ 抵 抗	EMX5
R212	RF456471	CARBON RESISTOR (CHIP)	4.7K D RECT.	チ	ッ	ブ 抵 抗	EMX7
R212	RD350003	CARBON RESISTOR (CHIP)	0 63M J RECT.	チ	ッ	ブ 抵 抗	EMX5
R213	RF456200	CARBON RESISTOR (CHIP)	2.0K D RECT.	チ	ッ	ブ 抵 抗	
R214	RD350003	CARBON RESISTOR (CHIP)	0 63M J RECT.	チ	ッ	ブ 抵 抗	
R215	RD359150	CARBON RESISTOR (CHIP)	1.5M 63M J RECT.	チ	ッ	ブ 抵 抗	
R216	RF456102	CARBON RESISTOR (CHIP)	1.0K D RECT.	チ	ッ	ブ 抵 抗	
R217	RD356472	CARBON RESISTOR (CHIP)	4.7K 63M J RECT.	チ	ッ	ブ 抵 抗	
R218	RF456681	CARBON RESISTOR (CHIP)	6.8K D RECT.	チ	ッ	ブ 抵 抗	
R230	RF458150	CARBON RESISTOR (CHIP)	150.0K D RECT.	チ	ッ	ブ 抵 抗	
R231	RF458150	CARBON RESISTOR (CHIP)	150.0K D RECT.	チ	ッ	ブ 抵 抗	
R247	RF457222	CARBON RESISTOR (CHIP)	22.0K D RECT.	チ	ッ	ブ 抵 抗	
R248	RF457682	CARBON RESISTOR (CHIP)	68.0K D RECT.	チ	ッ	ブ 抵 抗	
R308	RD357472	CARBON RESISTOR (CHIP)	47.0K 63M J RECT.	チ	ッ	ブ 抵 抗	
R309	RD357472	CARBON RESISTOR (CHIP)	47.0K 63M J RECT.	チ	ッ	ブ 抵 抗	
R323	RD357472	CARBON RESISTOR (CHIP)	47.0K 63M J RECT.	チ	ッ	ブ 抵 抗	
R324	RD357472	CARBON RESISTOR (CHIP)	47.0K 63M J RECT.	チ	ッ	ブ 抵 抗	
R332	RD356472	CARBON RESISTOR (CHIP)	4.7K 63M J RECT.	チ	ッ	ブ 抵 抗	
R341	RD357332	CARBON RESISTOR (CHIP)	33.0K 63M J RECT.	チ	ッ	ブ 抵 抗	
R346	RD150001	CARBON RESISTOR (CHIP)	0.0 1/4 J TP	チ	ッ	ブ 抵 抗	
-348	RD150001	CARBON RESISTOR (CHIP)	0.0 1/4 J TP	チ	ッ	ブ 抵 抗	
R358	RD150001	CARBON RESISTOR (CHIP)	0.0 1/4 J TP	チ	ッ	ブ 抵 抗	
R359	RD150001	CARBON RESISTOR (CHIP)	0.0 1/4 J TP	チ	ッ	ブ 抵 抗	
R403	RD355472	CARBON RESISTOR (CHIP)	470.0 63M J RECT.	チ	ッ	ブ 抵 抗	
* R410	ZM991700	CARBON RESISTOR (CHIP)	0.018 2W F 3264	チ	ッ	ブ 抵 抗	
R411	RD355332	CARBON RESISTOR (CHIP)	330.0 63M J RECT.	チ	ッ	ブ 抵 抗	
* R413	ZM991700	CARBON RESISTOR (CHIP)	0.018 2W F 3264	チ	ッ	ブ 抵 抗	
R414	RD355332	CARBON RESISTOR (CHIP)	330.0 63M J RECT.	チ	ッ	ブ 抵 抗	
R416	RD355332	CARBON RESISTOR (CHIP)	330.0 63M J RECT.	チ	ッ	ブ 抵 抗	
R417	RD157330	CARBON RESISTOR (CHIP)	33.0K 1/4 J TP	チ	ッ	ブ 抵 抗	
-420	RD157330	CARBON RESISTOR (CHIP)	33.0K 1/4 J TP	チ	ッ	ブ 抵 抗	
R421	WU822701	CARBON RESISTOR (CHIP)	33.0 1W J 5025	チ	ッ	ブ 抵 抗	
R422	WU822701	CARBON RESISTOR (CHIP)	33.0 1W J 5025	チ	ッ	ブ 抵 抗	
R428	RF456471	CARBON RESISTOR (CHIP)	4.7K D RECT.	チ	ッ	ブ 抵 抗	
R429	RF456471	CARBON RESISTOR (CHIP)	4.7K D RECT.	チ	ッ	ブ 抵 抗	
R430	RD355151	CARBON RESISTOR (CHIP)	150.0 63M J RECT.	チ	ッ	ブ 抵 抗	
* R434	ZT574400	CARBON RESISTOR (CHIP)	47.0K 1/4 F TE	チ	ッ	ブ 抵 抗	
R440	RD154100	CARBON RESISTOR (CHIP)	10.0 1/4 J TP	チ	ッ	ブ 抵 抗	
R503	RD355472	CARBON RESISTOR (CHIP)	470.0 63M J RECT.	チ	ッ	ブ 抵 抗	
* R510	ZM991700	CARBON RESISTOR (CHIP)	0.018 2W F 3264	チ	ッ	ブ 抵 抗	
R511	RD355332	CARBON RESISTOR (CHIP)	330.0 63M J RECT.	チ	ッ	ブ 抵 抗	
* R513	ZM991700	CARBON RESISTOR (CHIP)	0.018 2W F 3264	チ	ッ	ブ 抵 抗	
R514	RD355332	CARBON RESISTOR (CHIP)	330.0 63M J RECT.	チ	ッ	ブ 抵 抗	
R516	RD355332	CARBON RESISTOR (CHIP)	330.0 63M J RECT.	チ	ッ	ブ 抵 抗	
R517	RD157330	CARBON RESISTOR (CHIP)	33.0K 1/4 J TP	チ	ッ	ブ 抵 抗	
-520	RD157330	CARBON RESISTOR (CHIP)	33.0K 1/4 J TP	チ	ッ	ブ 抵 抗	
R521	WU822701	CARBON RESISTOR (CHIP)	33.0 1W J 5025	チ	ッ	ブ 抵 抗	
R522	WU822701	CARBON RESISTOR (CHIP)	33.0 1W J 5025	チ	ッ	ブ 抵 抗	
R528	RF456471	CARBON RESISTOR (CHIP)	4.7K D RECT.	チ	ッ	ブ 抵 抗	
R529	RF456471	CARBON RESISTOR (CHIP)	4.7K D RECT.	チ	ッ	ブ 抵 抗	
R530	RD355151	CARBON RESISTOR (CHIP)	150.0 63M J RECT.	チ	ッ	ブ 抵 抗	
* R534	ZT574400	CARBON RESISTOR (CHIP)	47.0K 1/4 F TE	チ	ッ	ブ 抵 抗	
R540	RD154100	CARBON RESISTOR (CHIP)	10.0 1/4 J TP	チ	ッ	ブ 抵 抗	
* R601	RD158820	CARBON RESISTOR (CHIP)	820K 1/4 J TP	チ	ッ	ブ 抵 抗	
* R602	RD158820	CARBON RESISTOR (CHIP)	820K 1/4 J TP	チ	ッ	ブ 抵 抗	
R603	RD158101	CARBON RESISTOR (CHIP)	100K 1/4 J TP	チ	ッ	ブ 抵 抗	

*: New Parts

AMP7/AMP5 and DMP

REF NO.	PART NO.	DESCRIPTION		部	品	名	REMARKS	QTY
R604	RD158101	CARBON RESISTOR (CHIP)	100K 1/4 J TP	チ	ッ	ブ 抵 抗		
R605	RD153471	CARBON RESISTOR (CHIP)	4.7 1/4 J TP	チ	ッ	ブ 抵 抗		
R606	RD153471	CARBON RESISTOR (CHIP)	4.7 1/4 J TP	チ	ッ	ブ 抵 抗		
R702	RF457332	CARBON RESISTOR (CHIP)	33.0K D RECT.	チ	ッ	ブ 抵 抗		
R703	RF456331	CARBON RESISTOR (CHIP)	3.3K D RECT.	チ	ッ	ブ 抵 抗		
R704	RD358332	CARBON RESISTOR (CHIP)	330.0K 63M J RECT.	チ	ッ	ブ 抵 抗		
R705	RD358332	CARBON RESISTOR (CHIP)	330.0K 63M J RECT.	チ	ッ	ブ 抵 抗		
R708	RD357222	CARBON RESISTOR (CHIP)	22.0K 63M J RECT.	チ	ッ	ブ 抵 抗		
R709	RD358102	CARBON RESISTOR (CHIP)	100.0K 63M J RECT.	チ	ッ	ブ 抵 抗		
R711	RD357472	CARBON RESISTOR (CHIP)	47.0K 63M J RECT.	チ	ッ	ブ 抵 抗		
R712	RD350003	CARBON RESISTOR (CHIP)	0 63M J RECT.	チ	ッ	ブ 抵 抗		
R751	RD357472	CARBON RESISTOR (CHIP)	47.0K 63M J RECT.	チ	ッ	ブ 抵 抗		
R752	RD157102	CARBON RESISTOR (CHIP)	10.0K 1/4 J TP	チ	ッ	ブ 抵 抗		
R754	RD157102	CARBON RESISTOR (CHIP)	10.0K 1/4 J TP	チ	ッ	ブ 抵 抗		
R755	RD357472	CARBON RESISTOR (CHIP)	47.0K 63M J RECT.	チ	ッ	ブ 抵 抗		
R756	RD350003	CARBON RESISTOR (CHIP)	0 63M J RECT.	チ	ッ	ブ 抵 抗		
R802	RF457332	CARBON RESISTOR (CHIP)	33.0K D RECT.	チ	ッ	ブ 抵 抗		
R803	RF456331	CARBON RESISTOR (CHIP)	3.3K D RECT.	チ	ッ	ブ 抵 抗		
R804	RD358332	CARBON RESISTOR (CHIP)	330.0K 63M J RECT.	チ	ッ	ブ 抵 抗		
R805	RD358332	CARBON RESISTOR (CHIP)	330.0K 63M J RECT.	チ	ッ	ブ 抵 抗		
R808	RD357222	CARBON RESISTOR (CHIP)	22.0K 63M J RECT.	チ	ッ	ブ 抵 抗		
R809	RD358102	CARBON RESISTOR (CHIP)	100.0K 63M J RECT.	チ	ッ	ブ 抵 抗		
R811	RD357472	CARBON RESISTOR (CHIP)	47.0K 63M J RECT.	チ	ッ	ブ 抵 抗		
R812	RD350003	CARBON RESISTOR (CHIP)	0 63M J RECT.	チ	ッ	ブ 抵 抗		
R851	RD357472	CARBON RESISTOR (CHIP)	47.0K 63M J RECT.	チ	ッ	ブ 抵 抗		
R852	RD157102	CARBON RESISTOR (CHIP)	10.0K 1/4 J TP	チ	ッ	ブ 抵 抗		
R854	RD157102	CARBON RESISTOR (CHIP)	10.0K 1/4 J TP	チ	ッ	ブ 抵 抗		
R855	RD357472	CARBON RESISTOR (CHIP)	47.0K 63M J RECT.	チ	ッ	ブ 抵 抗		
R856	RD350003	CARBON RESISTOR (CHIP)	0 63M J RECT.	チ	ッ	ブ 抵 抗		
R901	RD357472	CARBON RESISTOR (CHIP)	47.0K 63M J RECT.	チ	ッ	ブ 抵 抗		
TR401	ZC766200	TRANSISTOR (CHIP)	2SA2026-T112-1	ト	ラ	ン ジ ス タ 2 S A		
TR402	V742170R	TRANSISTOR (CHIP)	2SC3324-GR,BL(TE85)	ト	ラ	ン ジ ス タ 2 S C		
TR501	ZC766200	TRANSISTOR (CHIP)	2SA2026-T112-1	ト	ラ	ン ジ ス タ 2 S A		
TR502	V742170R	TRANSISTOR (CHIP)	2SC3324-GR,BL(TE85)	ト	ラ	ン ジ ス タ 2 S C		
TR703	WC529502	TRANSISTOR	KTA1504S-Y,GR-RTK	ト	ラ	ン ジ ス タ		
TR741	WC529502	TRANSISTOR	KTA1504S-Y,GR-RTK	ト	ラ	ン ジ ス タ		
TR742	WC529402	TRANSISTOR	KTC3875S-Y,GR-RTK	ト	ラ	ン ジ ス タ		
TR803	WC529502	TRANSISTOR	KTA1504S-Y,GR-RTK	ト	ラ	ン ジ ス タ		
TR841	WC529502	TRANSISTOR	KTA1504S-Y,GR-RTK	ト	ラ	ン ジ ス タ		
TR842	WC529402	TRANSISTOR	KTC3875S-Y,GR-RTK	ト	ラ	ン ジ ス タ		
* CN171	ZQ581900	CIRCUIT BOARD	DMP	D	M	P シ ー ト	EMX7 (YH059C0)	
K001	WD96180R	CONNECTOR	GPHA202 20P TE	ピ	ン	ヘ ッ ダ ー		
-004	--	EARTH PLATE	GPHA202 20P TE	ア	ー	ス プ レ ー ト	(ZT23750)	
IC602	YH490C00	IC	W25Q80DVSSIG SPI F	ア	ー	ス プ レ ー ト	(ZT23750)	
C001	US035102	CERAMIC CAPACITOR (CHIP)	0.1000 16V K RECT.	チ	ッ	ブ セ ラ (B)	SPI FLASH ROM 8Mbit BOOT/PROGRAM	
C002	US035102	CERAMIC CAPACITOR (CHIP)	0.1000 16V K RECT.	チ	ッ	ブ セ ラ (B)		
C011	US035102	CERAMIC CAPACITOR (CHIP)	0.1000 16V K RECT.	チ	ッ	ブ セ ラ (B)		
-019	US035102	CERAMIC CAPACITOR (CHIP)	0.1000 16V K RECT.	チ	ッ	ブ セ ラ (B)		
C192	US035102	CERAMIC CAPACITOR (CHIP)	0.1000 16V K RECT.	チ	ッ	ブ セ ラ (B)		
C193	US034472	CERAMIC CAPACITOR (CHIP)	0.0470 16V K RECT.	チ	ッ	ブ セ ラ (B)		
C195	US035102	CERAMIC CAPACITOR (CHIP)	0.1000 16V K RECT.	チ	ッ	ブ セ ラ (B)		
C201	US062472	CERAMIC CAPACITOR (CHIP)	470P 50V J RECT.	チ	ッ	ブ セ ラ (S L)		
C201	V585100R	CERAMIC CAPACITOR (CHIP)	470P 50V J KAKUTE	チ	ッ	ブ セ ラ (C H)		
C203	WH410100	MONOLITHIC CERAMIC CAP(CHIP)	CH 0.01 50V J	チ	ッ	ブ 積 層 セ ラ コ ン		
C204	US064103	CERAMIC CAPACITOR (CHIP)	0.0100 50V K RECT.	チ	ッ	ブ セ ラ (B)		
C205	US064103	CERAMIC CAPACITOR (CHIP)	0.0100 50V K RECT.	チ	ッ	ブ セ ラ (B)		
C206	US035102	CERAMIC CAPACITOR (CHIP)	0.1000 16V K RECT.	チ	ッ	ブ セ ラ (B)		
C207	US035102	CERAMIC CAPACITOR (CHIP)	0.1000 16V K RECT.	チ	ッ	ブ セ ラ (B)		
C211	US064103	CERAMIC CAPACITOR (CHIP)	0.0100 50V K RECT.	チ	ッ	ブ セ ラ (B)		
C213	US064103	CERAMIC CAPACITOR (CHIP)	0.0100 50V K RECT.	チ	ッ	ブ セ ラ (B)		
C214	US064103	CERAMIC CAPACITOR (CHIP)	0.0100 50V K RECT.	チ	ッ	ブ セ ラ (B)		
C221	WG888301	MONOLITHIC CERAMIC CAP(CHIP)	10.0 6.3V K TP	チ	ッ	ブ 積 層 セ ラ コ ン		
C221	WP882001	CERAMIC CAPACITOR (CHIP)	10U 6.3V K RECT.	チ	ッ	ブ セ ラ		
C222	ZA584602	MONOLITHIC CERAMIC CAP(CHIP)	10.0 16V K RECT.	チ	ッ	ブ 積 層 セ ラ コ ン		
C224	US035102	CERAMIC CAPACITOR (CHIP)	0.1000 16V K RECT.	チ	ッ	ブ セ ラ (B)		
-227	US035102	CERAMIC CAPACITOR (CHIP)	0.1000 16V K RECT.	チ	ッ	ブ セ ラ (B)		
C228	WG888301	MONOLITHIC CERAMIC CAP(CHIP)	10.0 6.3V K TP	チ	ッ	ブ 積 層 セ ラ コ ン		

*: New Parts

DMP

REF NO.	PART NO.	DESCRIPTION	部 品 名	REMARKS	QTY
C228	WP882001	CERAMIC CAPACITOR (CHIP)	10U 6.3V K RECT.	チ ッ プ セ ラ	
C231	US035102	CERAMIC CAPACITOR (CHIP)	0.1000 16V K RECT.	チ ッ プ セ ラ (B)	
C232	US035102	CERAMIC CAPACITOR (CHIP)	0.1000 16V K RECT.	チ ッ プ セ ラ (B)	
C234	WG888301	MONOLITHIC CERAMIC CAP(CHIP)	10.0 6.3V K TP	チ ッ プ 積 層 セ ラ コ ン	
C234	WP882001	CERAMIC CAPACITOR (CHIP)	10U 6.3V K RECT.	チ ッ プ セ ラ	
C242	ZJ648500	CERAMIC CAPACITOR (CHIP)	1500P 50V J KAKUTE	チ ッ プ セ ラ (C H)	
C243	US062151	CERAMIC CAPACITOR (CHIP)	150P 50V J RECT.	チ ッ プ セ ラ (S L)	
C243	V5850700	CERAMIC CAPACITOR (CHIP)	150P 50V J KAKUTE	チ ッ プ セ ラ C H	
C246	US064103	CERAMIC CAPACITOR (CHIP)	0.0100 50V K RECT.	チ ッ プ セ ラ (B)	
C247	US064103	CERAMIC CAPACITOR (CHIP)	0.0100 50V K RECT.	チ ッ プ セ ラ (B)	
C252	ZJ648500	CERAMIC CAPACITOR (CHIP)	1500P 50V J KAKUTE	チ ッ プ セ ラ (C H)	
C253	US062151	CERAMIC CAPACITOR (CHIP)	150P 50V J RECT.	チ ッ プ セ ラ (S L)	
C253	V5850700	CERAMIC CAPACITOR (CHIP)	150P 50V J KAKUTE	チ ッ プ セ ラ C H	
C262	US035102	CERAMIC CAPACITOR (CHIP)	0.1000 16V K RECT.	チ ッ プ セ ラ (B)	
-264	US035102	CERAMIC CAPACITOR (CHIP)	0.1000 16V K RECT.	チ ッ プ セ ラ (B)	
C265	WG888301	MONOLITHIC CERAMIC CAP(CHIP)	10.0 6.3V K TP	チ ッ プ 積 層 セ ラ コ ン	
C265	WP882001	CERAMIC CAPACITOR (CHIP)	10U 6.3V K RECT.	チ ッ プ セ ラ	
C267	US035102	CERAMIC CAPACITOR (CHIP)	0.1000 16V K RECT.	チ ッ プ セ ラ (B)	
C271	US035102	CERAMIC CAPACITOR (CHIP)	0.1000 16V K RECT.	チ ッ プ セ ラ (B)	
C302	US062102	CERAMIC CAPACITOR (CHIP)	100P 50V J RECT.	チ ッ プ セ ラ (S L)	
C302	V3152100	CERAMIC CAPACITOR (CHIP)	100P 50V J KAKUTE	チ ッ プ セ ラ C H	
C306	US062102	CERAMIC CAPACITOR (CHIP)	100P 50V J RECT.	チ ッ プ セ ラ (S L)	
C306	V3152100	CERAMIC CAPACITOR (CHIP)	100P 50V J KAKUTE	チ ッ プ セ ラ C H	
C309	US064103	CERAMIC CAPACITOR (CHIP)	0.0100 50V K RECT.	チ ッ プ セ ラ (B)	
C310	US064103	CERAMIC CAPACITOR (CHIP)	0.0100 50V K RECT.	チ ッ プ セ ラ (B)	
C311	WG888301	MONOLITHIC CERAMIC CAP(CHIP)	10.0 6.3V K TP	チ ッ プ 積 層 セ ラ コ ン	
C311	WP882001	CERAMIC CAPACITOR (CHIP)	10U 6.3V K RECT.	チ ッ プ セ ラ	
C312	US035102	CERAMIC CAPACITOR (CHIP)	0.1000 16V K RECT.	チ ッ プ セ ラ (B)	
C314	US035102	CERAMIC CAPACITOR (CHIP)	0.1000 16V K RECT.	チ ッ プ セ ラ (B)	
C315	WG251602	CERAMIC CAPACITOR (CHIP)	4.7 6.3V K RECT.	チ ッ プ セ ラ	
C319	US035102	CERAMIC CAPACITOR (CHIP)	0.1000 16V K RECT.	チ ッ プ セ ラ (B)	
-321	US035102	CERAMIC CAPACITOR (CHIP)	0.1000 16V K RECT.	チ ッ プ セ ラ (B)	
C331	WU188700	CERAMIC CAPACITOR (CHIP)	1000P 50V J KAKUTE	チ ッ プ セ ラ	
C332	US062151	CERAMIC CAPACITOR (CHIP)	150P 50V J RECT.	チ ッ プ セ ラ (S L)	
C332	V5850700	CERAMIC CAPACITOR (CHIP)	150P 50V J KAKUTE	チ ッ プ セ ラ C H	
C333	US062151	CERAMIC CAPACITOR (CHIP)	150P 50V J RECT.	チ ッ プ セ ラ (S L)	
C333	V5850700	CERAMIC CAPACITOR (CHIP)	150P 50V J KAKUTE	チ ッ プ セ ラ C H	
C334	US064103	CERAMIC CAPACITOR (CHIP)	0.0100 50V K RECT.	チ ッ プ セ ラ (B)	
C335	US064103	CERAMIC CAPACITOR (CHIP)	0.0100 50V K RECT.	チ ッ プ セ ラ (B)	
C341	WU188700	CERAMIC CAPACITOR (CHIP)	1000P 50V J KAKUTE	チ ッ プ セ ラ	
C342	US062151	CERAMIC CAPACITOR (CHIP)	150P 50V J RECT.	チ ッ プ セ ラ (S L)	
C342	V5850700	CERAMIC CAPACITOR (CHIP)	150P 50V J KAKUTE	チ ッ プ セ ラ C H	
C343	US062151	CERAMIC CAPACITOR (CHIP)	150P 50V J RECT.	チ ッ プ セ ラ (S L)	
C343	V5850700	CERAMIC CAPACITOR (CHIP)	150P 50V J KAKUTE	チ ッ プ セ ラ C H	
C351	US035102	CERAMIC CAPACITOR (CHIP)	0.1000 16V K RECT.	チ ッ プ セ ラ (B)	
C361	WU188700	CERAMIC CAPACITOR (CHIP)	1000P 50V J KAKUTE	チ ッ プ セ ラ	
C362	US062180	CERAMIC CAPACITOR (CHIP)	180P 50V J RECT.	チ ッ プ セ ラ (S L)	
C362	WZ532000	CERAMIC CAPACITOR (CHIP)	180P 50V J KAKUTE	チ ッ プ セ ラ C H	
C363	US062180	CERAMIC CAPACITOR (CHIP)	180P 50V J RECT.	チ ッ プ セ ラ (S L)	
C363	WZ532000	CERAMIC CAPACITOR (CHIP)	180P 50V J KAKUTE	チ ッ プ セ ラ C H	
C364	US064103	CERAMIC CAPACITOR (CHIP)	0.0100 50V K RECT.	チ ッ プ セ ラ (B)	
C365	US064103	CERAMIC CAPACITOR (CHIP)	0.0100 50V K RECT.	チ ッ プ セ ラ (B)	
C371	WU188700	CERAMIC CAPACITOR (CHIP)	1000P 50V J KAKUTE	チ ッ プ セ ラ	
C372	US062180	CERAMIC CAPACITOR (CHIP)	180P 50V J RECT.	チ ッ プ セ ラ (S L)	
C372	WZ532000	CERAMIC CAPACITOR (CHIP)	180P 50V J KAKUTE	チ ッ プ セ ラ C H	
C373	US062180	CERAMIC CAPACITOR (CHIP)	180P 50V J RECT.	チ ッ プ セ ラ (S L)	
C373	WZ532000	CERAMIC CAPACITOR (CHIP)	180P 50V J KAKUTE	チ ッ プ セ ラ C H	
C402	US062102	CERAMIC CAPACITOR (CHIP)	100P 50V J RECT.	チ ッ プ セ ラ (S L)	
C402	V3152100	CERAMIC CAPACITOR (CHIP)	100P 50V J KAKUTE	チ ッ プ セ ラ C H	
C406	US062102	CERAMIC CAPACITOR (CHIP)	100P 50V J RECT.	チ ッ プ セ ラ (S L)	
C406	V3152100	CERAMIC CAPACITOR (CHIP)	100P 50V J KAKUTE	チ ッ プ セ ラ C H	
C409	US064103	CERAMIC CAPACITOR (CHIP)	0.0100 50V K RECT.	チ ッ プ セ ラ (B)	
C410	US064103	CERAMIC CAPACITOR (CHIP)	0.0100 50V K RECT.	チ ッ プ セ ラ (B)	
C411	WG888301	MONOLITHIC CERAMIC CAP(CHIP)	10.0 6.3V K TP	チ ッ プ 積 層 セ ラ コ ン	
C411	WP882001	CERAMIC CAPACITOR (CHIP)	10U 6.3V K RECT.	チ ッ プ セ ラ	
C412	US035102	CERAMIC CAPACITOR (CHIP)	0.1000 16V K RECT.	チ ッ プ セ ラ (B)	
C414	US035102	CERAMIC CAPACITOR (CHIP)	0.1000 16V K RECT.	チ ッ プ セ ラ (B)	
C415	WG251602	CERAMIC CAPACITOR (CHIP)	4.7 6.3V K RECT.	チ ッ プ セ ラ	
C421	US035102	CERAMIC CAPACITOR (CHIP)	0.1000 16V K RECT.	チ ッ プ セ ラ (B)	
C431	WU188700	CERAMIC CAPACITOR (CHIP)	1000P 50V J KAKUTE	チ ッ プ セ ラ	

*: New Parts

DMP

REF NO.	PART NO.	DESCRIPTION	部 品 名	REMARKS	QTY
C432	US062151	CERAMIC CAPACITOR (CHIP)	150P 50V J RECT.	チップセラ (S L)	
C432	V5850700	CERAMIC CAPACITOR (CHIP)	150P 50V J KAKUTE	チップセラ C H	
C433	US062151	CERAMIC CAPACITOR (CHIP)	150P 50V J RECT.	チップセラ (S L)	
C433	V5850700	CERAMIC CAPACITOR (CHIP)	150P 50V J KAKUTE	チップセラ C H	
C434	US064103	CERAMIC CAPACITOR (CHIP)	0.0100 50V K RECT.	チップセラ (B)	
C435	US064103	CERAMIC CAPACITOR (CHIP)	0.0100 50V K RECT.	チップセラ (B)	
C441	WU188700	CERAMIC CAPACITOR (CHIP)	1000P 50V J KAKUTE	チップセラ	
C442	US062151	CERAMIC CAPACITOR (CHIP)	150P 50V J RECT.	チップセラ (S L)	
C442	V5850700	CERAMIC CAPACITOR (CHIP)	150P 50V J KAKUTE	チップセラ C H	
C443	US062151	CERAMIC CAPACITOR (CHIP)	150P 50V J RECT.	チップセラ (S L)	
C443	V5850700	CERAMIC CAPACITOR (CHIP)	150P 50V J KAKUTE	チップセラ C H	
C503	US061151	CERAMIC CAPACITOR (CHIP)	15P 50V J RECT.	チップセラ (C H)	
C504	US061151	CERAMIC CAPACITOR (CHIP)	15P 50V J RECT.	チップセラ (C H)	
C505	US035102	CERAMIC CAPACITOR (CHIP)	0.1000 16V K RECT.	チップセラ (B)	
C506	US035102	CERAMIC CAPACITOR (CHIP)	0.1000 16V K RECT.	チップセラ (B)	
C509	US035102	CERAMIC CAPACITOR (CHIP)	0.1000 16V K RECT.	チップセラ (B)	
C510	US035102	CERAMIC CAPACITOR (CHIP)	0.1000 16V K RECT.	チップセラ (B)	
C521	US035102	CERAMIC CAPACITOR (CHIP)	0.1000 16V K RECT.	チップセラ (B)	
C531	US035102	CERAMIC CAPACITOR (CHIP)	0.1000 16V K RECT.	チップセラ (B)	
C541	US046102	CERAMIC CAPACITOR (CHIP)	1.00 25V K RECT.	チップセラ (B)	
C542	US046102	CERAMIC CAPACITOR (CHIP)	1.00 25V K RECT.	チップセラ (B)	
C553	US035102	CERAMIC CAPACITOR (CHIP)	0.1000 16V K RECT.	チップセラ (B)	
C554	US035102	CERAMIC CAPACITOR (CHIP)	0.1000 16V K RECT.	チップセラ (B)	
C557	US035102	CERAMIC CAPACITOR (CHIP)	0.1000 16V K RECT.	チップセラ (B)	
C558	US035102	CERAMIC CAPACITOR (CHIP)	0.1000 16V K RECT.	チップセラ (B)	
C604	US061101	CERAMIC CAPACITOR (CHIP)	10P 50V D RECT.	チップセラ (C H)	
C605	US061101	CERAMIC CAPACITOR (CHIP)	10P 50V D RECT.	チップセラ (C H)	
C606	US035102	CERAMIC CAPACITOR (CHIP)	0.1000 16V K RECT.	チップセラ (B)	
C608	US064103	CERAMIC CAPACITOR (CHIP)	0.0100 50V K RECT.	チップセラ (B)	
C610	US064103	CERAMIC CAPACITOR (CHIP)	0.0100 50V K RECT.	チップセラ (B)	
C612	US064103	CERAMIC CAPACITOR (CHIP)	0.0100 50V K RECT.	チップセラ (B)	
C614	US035102	CERAMIC CAPACITOR (CHIP)	0.1000 16V K RECT.	チップセラ (B)	
C615	US064103	CERAMIC CAPACITOR (CHIP)	0.0100 50V K RECT.	チップセラ (B)	
C618	US064103	CERAMIC CAPACITOR (CHIP)	0.0100 50V K RECT.	チップセラ (B)	
C626	WG888301	MONOLITHIC CERAMIC CAP(CHIP)	10.0 6.3V K TP	チップ積層セラコン	
C626	WP882001	CERAMIC CAPACITOR (CHIP)	10U 6.3V K RECT.	チップセラ	
C632	US035102	CERAMIC CAPACITOR (CHIP)	0.1000 16V K RECT.	チップセラ (B)	
C638	US035102	CERAMIC CAPACITOR (CHIP)	0.1000 16V K RECT.	チップセラ (B)	
C643	US035102	CERAMIC CAPACITOR (CHIP)	0.1000 16V K RECT.	チップセラ (B)	
C648	US035102	CERAMIC CAPACITOR (CHIP)	0.1000 16V K RECT.	チップセラ (B)	
C650	US064103	CERAMIC CAPACITOR (CHIP)	0.0100 50V K RECT.	チップセラ (B)	
DA201	WY281800	DIODE ARRAY	DB3J314F0L 0.15A X	ダイオードアレイ	
DA211	WY281800	DIODE ARRAY	DB3J314F0L 0.15A X	ダイオードアレイ	
IC192	X9347A00	IC	R3112N291A-TR-FE	I C	VOLTAGE DETECTOR
IC193	XY806A00	IC	TC7WH14FU(TE12L,F)	I C	INVERTER
IC201	X6897A00	IC	BA4560RF-E2	I C	OP AMP
IC221	X7357A00	IC	PCM1803DBR	I C	ADC
IC221	X7357B00	IC	PCM1803ADB	I C	ADC
IC231	X7356A01	IC	PCM1780DBQR	I C	DAC
IC241	X6897A00	IC	BA4560RF-E2	I C	OP AMP
IC261	X9788A00	IC	BU6945K-E2	I C	SSPO
IC262	X5647A00	IC	SN74LV32APWR	I C	OR
IC271	X3693A00	IC	SN74LV245APWR	I C	TRANSCEIVER
IC301	X3505A01	IC	NJM2068M-D(TE2)	I C	OP AMP
IC311	YD303A00	IC	AK5386VT	I C	ADC
IC321	X6040A01	IC	AK4385ET	I C	DAC
IC331	X3505A01	IC	NJM2068M-D(TE2)	I C	OP AMP
IC351	X6040A01	IC	AK4385ET	I C	DAC
IC361	X3505A01	IC	NJM2068M-D(TE2)	I C	OP AMP
IC401	X3505A01	IC	NJM2068M-D(TE2)	I C	OP AMP
IC411	YD303A00	IC	AK5386VT	I C	ADC
IC421	X6040A01	IC	AK4385ET	I C	DAC
IC431	X3505A01	IC	NJM2068M-D(TE2)	I C	OP AMP
IC501	YE441A00	IC	YSS952-QZE2A	I C	DSP (SPR-2)(MASTER)
IC521	XS775A01	IC	TC7SH04FU	I C	INVERTER
IC531	X3693A00	IC	SN74LV245APWR	I C	TRANSCEIVER
IC541	YC287A01	IC	RP130Q181D-TR-FE	I C	REGULATOR +1.8V
IC551	YE441A00	IC	YSS952-QZE2A	I C	DSP (SPR-2)(SLAVE)
* IC601	YF570B00	IC	LPC1820FBD144/3DE	I C	MCU
IC603	X3693A00	IC	SN74LV245APWR	I C	TRANSCEIVER

*: New Parts

DMP

REF NO.	PART NO.	DESCRIPTION	部 品 名	REMARKS	QTY
IC604	YD829A00	IC	BR24T128FVT-WE2	I C	EEPROM 128K OR
IC605	X5647A00	IC	SN74LV32APWR	I C	
L222	VU95400R	INDUCTANCE (CHIP)	BLM21PG300SN1D	チップソリッドインダ	
L311	VU95400R	INDUCTANCE (CHIP)	BLM21PG300SN1D	チップソリッドインダ	
L411	VU95400R	INDUCTANCE (CHIP)	BLM21PG300SN1D	チップソリッドインダ	
Q241	VD303701	TRANSISTOR	2SC3326 -A,B(TE85R)	トランジスタ 2 S C	
Q241	WC883402	TRANSISTOR	2SD2704 K TP	トランジスタ 2 S D	
Q241	WH372200	TRANSISTOR	KTC2875-B TP	トランジスタ 2 S C	
Q251	VD303701	TRANSISTOR	2SC3326 -A,B(TE85R)	トランジスタ 2 S C	
Q251	WC883402	TRANSISTOR	2SD2704 K TP	トランジスタ 2 S D	
Q251	WH372200	TRANSISTOR (CHIP)	2SC KTC2875-B TP	トランジスタ 2 S C	
Q601	VV655402	DIGITAL TRANSISTOR	DTC114EKA TP	デジタルトランジスタ	
Q601	WC435002	DIGITAL TRANSISTOR	KRC102S-RTK/P	デジタルトランジスタ	
Q602	VV655000	DIGITAL TRANSISTOR (CHIP)	DTA114EKA TP	デジタルトランジスタ	
Q602	WC434801	DIGITAL TRANSISTOR (CHIP)	KRA102S-RTK/P	デジタルトランジスタ	
R128	RD156272	CARBON RESISTOR (CHIP)	2.7K 1/4 J TP	チ ッ プ 抵 抗	
R129	RD156272	CARBON RESISTOR (CHIP)	2.7K 1/4 J TP	チ ッ プ 抵 抗	
R191	RD358102	CARBON RESISTOR (CHIP)	100.0K 63M J RECT.	チ ッ プ 抵 抗	
R201	RF457182	CARBON RESISTOR (CHIP)	18.0K D RECT.	チ ッ プ 抵 抗	
R203	RF456561	CARBON RESISTOR (CHIP)	5.6K D RECT.	チ ッ プ 抵 抗	
R204	RD355101	CARBON RESISTOR (CHIP)	100.0 63M J RECT.	チ ッ プ 抵 抗	
R211	RF457222	CARBON RESISTOR (CHIP)	22.0K D RECT.	チ ッ プ 抵 抗	
R212	RF457222	CARBON RESISTOR (CHIP)	22.0K D RECT.	チ ッ プ 抵 抗	
R214	RD355101	CARBON RESISTOR (CHIP)	100.0 63M J RECT.	チ ッ プ 抵 抗	
R215	RF457332	CARBON RESISTOR (CHIP)	33.0K D RECT.	チ ッ プ 抵 抗	
R216	RF457222	CARBON RESISTOR (CHIP)	22.0K D RECT.	チ ッ プ 抵 抗	
R221	RD355101	CARBON RESISTOR (CHIP)	100.0 63M J RECT.	チ ッ プ 抵 抗	
R241	RF456561	CARBON RESISTOR (CHIP)	5.6K D RECT.	チ ッ プ 抵 抗	
R242	RF456561	CARBON RESISTOR (CHIP)	5.6K D RECT.	チ ッ プ 抵 抗	
R243	RF457272	CARBON RESISTOR (CHIP)	27.0K D RECT.	チ ッ プ 抵 抗	
R244	RF456391	CARBON RESISTOR (CHIP)	3.9K D RECT.	チ ッ プ 抵 抗	
R246	RD357102	CARBON RESISTOR (CHIP)	10.0K 63M J RECT.	チ ッ プ 抵 抗	
R247	RD358102	CARBON RESISTOR (CHIP)	100.0K 63M J RECT.	チ ッ プ 抵 抗	
R251	RF456561	CARBON RESISTOR (CHIP)	5.6K D RECT.	チ ッ プ 抵 抗	
R252	RF456561	CARBON RESISTOR (CHIP)	5.6K D RECT.	チ ッ プ 抵 抗	
R253	RF457272	CARBON RESISTOR (CHIP)	27.0K D RECT.	チ ッ プ 抵 抗	
R254	RF456391	CARBON RESISTOR (CHIP)	3.9K D RECT.	チ ッ プ 抵 抗	
R256	RD357102	CARBON RESISTOR (CHIP)	10.0K 63M J RECT.	チ ッ プ 抵 抗	
R257	RD358102	CARBON RESISTOR (CHIP)	100.0K 63M J RECT.	チ ッ プ 抵 抗	
R261	RD355472	CARBON RESISTOR (CHIP)	470.0 63M J RECT.	チ ッ プ 抵 抗	
R262	RD358221	CARBON RESISTOR (CHIP)	220.0K 63M J RECT.	チ ッ プ 抵 抗	
R263	RD355101	CARBON RESISTOR (CHIP)	100.0 63M J RECT.	チ ッ プ 抵 抗	
-266	RD355101	CARBON RESISTOR (CHIP)	100.0 63M J RECT.	チ ッ プ 抵 抗	
R268	RD358102	CARBON RESISTOR (CHIP)	100.0K 63M J RECT.	チ ッ プ 抵 抗	
R271	RD355101	CARBON RESISTOR (CHIP)	100.0 63M J RECT.	チ ッ プ 抵 抗	
-276	RD355101	CARBON RESISTOR (CHIP)	100.0 63M J RECT.	チ ッ プ 抵 抗	
R301	RF457151	CARBON RESISTOR (CHIP)	15.0K D 1608	チ ッ プ 抵 抗	
R303	RF455681	CARBON RESISTOR (CHIP)	680.0 D RECT.	チ ッ プ 抵 抗	
R304	RF456391	CARBON RESISTOR (CHIP)	3.9K D RECT.	チ ッ プ 抵 抗	
R306	RF457151	CARBON RESISTOR (CHIP)	15.0K D 1608	チ ッ プ 抵 抗	
R308	RF455681	CARBON RESISTOR (CHIP)	680.0 D RECT.	チ ッ プ 抵 抗	
R309	RF456391	CARBON RESISTOR (CHIP)	3.9K D RECT.	チ ッ プ 抵 抗	
R311	RD354472	CARBON RESISTOR (CHIP)	47.0 63M J RECT.	チ ッ プ 抵 抗	
-314	RD354472	CARBON RESISTOR (CHIP)	47.0 63M J RECT.	チ ッ プ 抵 抗	
R321	RD354472	CARBON RESISTOR (CHIP)	47.0 63M J RECT.	チ ッ プ 抵 抗	
-324	RD354472	CARBON RESISTOR (CHIP)	47.0 63M J RECT.	チ ッ プ 抵 抗	
R326	RD354472	CARBON RESISTOR (CHIP)	47.0 63M J RECT.	チ ッ プ 抵 抗	
R327	RD354472	CARBON RESISTOR (CHIP)	47.0 63M J RECT.	チ ッ プ 抵 抗	
R331	RF45527R	CARBON RESISTOR (CHIP)	270.0 D RECT.	チ ッ プ 抵 抗	
R332	RF456391	CARBON RESISTOR (CHIP)	3.9K D RECT.	チ ッ プ 抵 抗	
R333	RF45527R	CARBON RESISTOR (CHIP)	270.0 D RECT.	チ ッ プ 抵 抗	
R334	RF456391	CARBON RESISTOR (CHIP)	3.9K D RECT.	チ ッ プ 抵 抗	
R335	RF455331	CARBON RESISTOR (CHIP)	330.0 D RECT.	チ ッ プ 抵 抗	
R336	RF455331	CARBON RESISTOR (CHIP)	330.0 D RECT.	チ ッ プ 抵 抗	
R337	RF457222	CARBON RESISTOR (CHIP)	22.0K D RECT.	チ ッ プ 抵 抗	
R338	RD355101	CARBON RESISTOR (CHIP)	100.0 63M J RECT.	チ ッ プ 抵 抗	
R339	RF457222	CARBON RESISTOR (CHIP)	22.0K D RECT.	チ ッ プ 抵 抗	
R341	RF45527R	CARBON RESISTOR (CHIP)	270.0 D RECT.	チ ッ プ 抵 抗	
R342	RF456391	CARBON RESISTOR (CHIP)	3.9K D RECT.	チ ッ プ 抵 抗	
R343	RF45527R	CARBON RESISTOR (CHIP)	270.0 D RECT.	チ ッ プ 抵 抗	

*: New Parts

DMP

REF NO.	PART NO.	DESCRIPTION	部	品	名	REMARKS	QTY
R344	RF456391	CARBON RESISTOR (CHIP)	チ	ッ	ブ	抵	抗
R345	RF455331	CARBON RESISTOR (CHIP)	チ	ッ	ブ	抵	抗
R346	RF455331	CARBON RESISTOR (CHIP)	チ	ッ	ブ	抵	抗
R347	RF457222	CARBON RESISTOR (CHIP)	チ	ッ	ブ	抵	抗
R348	RD355101	CARBON RESISTOR (CHIP)	チ	ッ	ブ	抵	抗
R349	RF457222	CARBON RESISTOR (CHIP)	チ	ッ	ブ	抵	抗
R351	RD354472	CARBON RESISTOR (CHIP)	チ	ッ	ブ	抵	抗
-354	RD354472	CARBON RESISTOR (CHIP)	チ	ッ	ブ	抵	抗
R356	RD354472	CARBON RESISTOR (CHIP)	チ	ッ	ブ	抵	抗
R357	RD354472	CARBON RESISTOR (CHIP)	チ	ッ	ブ	抵	抗
R361	RF455391	CARBON RESISTOR (CHIP)	チ	ッ	ブ	抵	抗
R362	RF456391	CARBON RESISTOR (CHIP)	チ	ッ	ブ	抵	抗
R363	RF455391	CARBON RESISTOR (CHIP)	チ	ッ	ブ	抵	抗
R364	RF456391	CARBON RESISTOR (CHIP)	チ	ッ	ブ	抵	抗
R365	RF455221	CARBON RESISTOR (CHIP)	チ	ッ	ブ	抵	抗
R366	RF455221	CARBON RESISTOR (CHIP)	チ	ッ	ブ	抵	抗
R367	RF457182	CARBON RESISTOR (CHIP)	チ	ッ	ブ	抵	抗
R368	RD355101	CARBON RESISTOR (CHIP)	チ	ッ	ブ	抵	抗
R369	RF457182	CARBON RESISTOR (CHIP)	チ	ッ	ブ	抵	抗
R371	RF455391	CARBON RESISTOR (CHIP)	チ	ッ	ブ	抵	抗
R372	RF456391	CARBON RESISTOR (CHIP)	チ	ッ	ブ	抵	抗
R373	RF455391	CARBON RESISTOR (CHIP)	チ	ッ	ブ	抵	抗
R374	RF456391	CARBON RESISTOR (CHIP)	チ	ッ	ブ	抵	抗
R375	RF455221	CARBON RESISTOR (CHIP)	チ	ッ	ブ	抵	抗
R376	RF455221	CARBON RESISTOR (CHIP)	チ	ッ	ブ	抵	抗
R377	RF457182	CARBON RESISTOR (CHIP)	チ	ッ	ブ	抵	抗
R378	RD355101	CARBON RESISTOR (CHIP)	チ	ッ	ブ	抵	抗
R379	RF457182	CARBON RESISTOR (CHIP)	チ	ッ	ブ	抵	抗
R401	RF457151	CARBON RESISTOR (CHIP)	チ	ッ	ブ	抵	抗
R403	RF455681	CARBON RESISTOR (CHIP)	チ	ッ	ブ	抵	抗
R404	RF456391	CARBON RESISTOR (CHIP)	チ	ッ	ブ	抵	抗
R406	RF457151	CARBON RESISTOR (CHIP)	チ	ッ	ブ	抵	抗
R408	RF455681	CARBON RESISTOR (CHIP)	チ	ッ	ブ	抵	抗
R409	RF456391	CARBON RESISTOR (CHIP)	チ	ッ	ブ	抵	抗
R411	RD354472	CARBON RESISTOR (CHIP)	チ	ッ	ブ	抵	抗
-414	RD354472	CARBON RESISTOR (CHIP)	チ	ッ	ブ	抵	抗
R421	RD354472	CARBON RESISTOR (CHIP)	チ	ッ	ブ	抵	抗
-424	RD354472	CARBON RESISTOR (CHIP)	チ	ッ	ブ	抵	抗
R426	RD354472	CARBON RESISTOR (CHIP)	チ	ッ	ブ	抵	抗
R427	RD354472	CARBON RESISTOR (CHIP)	チ	ッ	ブ	抵	抗
R431	RF45527R	CARBON RESISTOR (CHIP)	チ	ッ	ブ	抵	抗
R432	RF456391	CARBON RESISTOR (CHIP)	チ	ッ	ブ	抵	抗
R433	RF45527R	CARBON RESISTOR (CHIP)	チ	ッ	ブ	抵	抗
R434	RF456391	CARBON RESISTOR (CHIP)	チ	ッ	ブ	抵	抗
R435	RF455331	CARBON RESISTOR (CHIP)	チ	ッ	ブ	抵	抗
R436	RF455331	CARBON RESISTOR (CHIP)	チ	ッ	ブ	抵	抗
R437	RF457222	CARBON RESISTOR (CHIP)	チ	ッ	ブ	抵	抗
R438	RD355101	CARBON RESISTOR (CHIP)	チ	ッ	ブ	抵	抗
R439	RF457222	CARBON RESISTOR (CHIP)	チ	ッ	ブ	抵	抗
R441	RF45527R	CARBON RESISTOR (CHIP)	チ	ッ	ブ	抵	抗
R442	RF456391	CARBON RESISTOR (CHIP)	チ	ッ	ブ	抵	抗
R443	RF45527R	CARBON RESISTOR (CHIP)	チ	ッ	ブ	抵	抗
R444	RF456391	CARBON RESISTOR (CHIP)	チ	ッ	ブ	抵	抗
R445	RF455331	CARBON RESISTOR (CHIP)	チ	ッ	ブ	抵	抗
R446	RF455331	CARBON RESISTOR (CHIP)	チ	ッ	ブ	抵	抗
R447	RF457222	CARBON RESISTOR (CHIP)	チ	ッ	ブ	抵	抗
R448	RD355101	CARBON RESISTOR (CHIP)	チ	ッ	ブ	抵	抗
R449	RF457222	CARBON RESISTOR (CHIP)	チ	ッ	ブ	抵	抗
R501	RD357102	CARBON RESISTOR (CHIP)	チ	ッ	ブ	抵	抗
R502	RD354472	CARBON RESISTOR (CHIP)	チ	ッ	ブ	抵	抗
R503	RD358102	CARBON RESISTOR (CHIP)	チ	ッ	ブ	抵	抗
R505	RD359102	CARBON RESISTOR (CHIP)	チ	ッ	ブ	抵	抗
R506	RD356180	CARBON RESISTOR (CHIP)	チ	ッ	ブ	抵	抗
R507	RD354472	CARBON RESISTOR (CHIP)	チ	ッ	ブ	抵	抗
-509	RD354472	CARBON RESISTOR (CHIP)	チ	ッ	ブ	抵	抗
R511	RD354472	CARBON RESISTOR (CHIP)	チ	ッ	ブ	抵	抗
R512	RD358102	CARBON RESISTOR (CHIP)	チ	ッ	ブ	抵	抗
R513	RD354472	CARBON RESISTOR (CHIP)	チ	ッ	ブ	抵	抗
R514	RD358102	CARBON RESISTOR (CHIP)	チ	ッ	ブ	抵	抗
R515	RD354472	CARBON RESISTOR (CHIP)	チ	ッ	ブ	抵	抗

*: New Parts

DMP

REF NO.	PART NO.	DESCRIPTION	部 品 名	REMARKS	QTY
R714	RD355472	CARBON RESISTOR (CHIP)	470.0 63M J RECT.	チ ッ プ 抵 抗	
R716	RD357102	CARBON RESISTOR (CHIP)	10.0K 63M J RECT.	チ ッ プ 抵 抗	
R717	RD355472	CARBON RESISTOR (CHIP)	470.0 63M J RECT.	チ ッ プ 抵 抗	
R719	RD357102	CARBON RESISTOR (CHIP)	10.0K 63M J RECT.	チ ッ プ 抵 抗	
R720	RD354472	CARBON RESISTOR (CHIP)	47.0 63M J RECT.	チ ッ プ 抵 抗	
R721	RD354472	CARBON RESISTOR (CHIP)	47.0 63M J RECT.	チ ッ プ 抵 抗	
R723	RD355472	CARBON RESISTOR (CHIP)	470.0 63M J RECT.	チ ッ プ 抵 抗	
R724	RD357102	CARBON RESISTOR (CHIP)	10.0K 63M J RECT.	チ ッ プ 抵 抗	
R725	RD355472	CARBON RESISTOR (CHIP)	470.0 63M J RECT.	チ ッ プ 抵 抗	
R726	RD354472	CARBON RESISTOR (CHIP)	47.0 63M J RECT.	チ ッ プ 抵 抗	
-731	RD354472	CARBON RESISTOR (CHIP)	47.0 63M J RECT.	チ ッ プ 抵 抗	
R732	RD356472	CARBON RESISTOR (CHIP)	4.7K 63M J RECT.	チ ッ プ 抵 抗	
R735	RD355472	CARBON RESISTOR (CHIP)	470.0 63M J RECT.	チ ッ プ 抵 抗	
R736	RD355472	CARBON RESISTOR (CHIP)	470.0 63M J RECT.	チ ッ プ 抵 抗	
R737	RD357102	CARBON RESISTOR (CHIP)	10.0K 63M J RECT.	チ ッ プ 抵 抗	
R738	RD357102	CARBON RESISTOR (CHIP)	10.0K 63M J RECT.	チ ッ プ 抵 抗	
R739	RD355472	CARBON RESISTOR (CHIP)	470.0 63M J RECT.	チ ッ プ 抵 抗	
R741	RD357102	CARBON RESISTOR (CHIP)	10.0K 63M J RECT.	チ ッ プ 抵 抗	
R742	RD355472	CARBON RESISTOR (CHIP)	470.0 63M J RECT.	チ ッ プ 抵 抗	
R743	RD354472	CARBON RESISTOR (CHIP)	47.0 63M J RECT.	チ ッ プ 抵 抗	
R744	RD354472	CARBON RESISTOR (CHIP)	47.0 63M J RECT.	チ ッ プ 抵 抗	
R746	RD354472	CARBON RESISTOR (CHIP)	47.0 63M J RECT.	チ ッ プ 抵 抗	
R747	RD354472	CARBON RESISTOR (CHIP)	47.0 63M J RECT.	チ ッ プ 抵 抗	
R749	RD357102	CARBON RESISTOR (CHIP)	10.0K 63M J RECT.	チ ッ プ 抵 抗	
R753	RD357102	CARBON RESISTOR (CHIP)	10.0K 63M J RECT.	チ ッ プ 抵 抗	
-755	RD357102	CARBON RESISTOR (CHIP)	10.0K 63M J RECT.	チ ッ プ 抵 抗	
R756	RD355472	CARBON RESISTOR (CHIP)	470.0 63M J RECT.	チ ッ プ 抵 抗	
X261	WA32110R	CERAMIC RESONATOR	16.934MHz	セラミック振動子	
X501	WS190001	QUARTZ CRYSTAL UNIT	24.576MHz	水晶振動子	
X601	WK192600	QUARTZ CRYSTA (CHIP)	12MHz	水晶振動子	
C020	US035102	CERAMIC CAPACITOR (CHIP)	0.1000 16V K RECT.	チ ッ プ セ ラ (B)	
C101	UF03810R	ELECTROLYTIC CAP. (CHIP)	100 16V	チ ッ プ ケ ミ コ ン	
-104	UF03810R	ELECTROLYTIC CAP. (CHIP)	100 16V	チ ッ プ ケ ミ コ ン	
C111	WF547901	CERAMIC CAPACITOR (CHIP)	10.000 25V K KAKUT	チ ッ プ セ ラ	
C114	US064103	CERAMIC CAPACITOR (CHIP)	0.0100 50V K RECT.	チ ッ プ セ ラ (B)	
C116	WH046601	MONOLITHIC CERAMIC CAP(CHIP)	47 16V K 3225	チ ッ プ 積 層 セ ラ コ ン	
C118	US063681	CERAMIC CAPACITOR (CHIP)	6800P 50V K RECT.	チ ッ プ セ ラ (B)	
C121	WF547901	CERAMIC CAPACITOR (CHIP)	10.000 25V K KAKUT	チ ッ プ セ ラ	
C124	US064103	CERAMIC CAPACITOR (CHIP)	0.0100 50V K RECT.	チ ッ プ セ ラ (B)	
C126	WH046601	MONOLITHIC CERAMIC CAP(CHIP)	47 16V K 3225	チ ッ プ 積 層 セ ラ コ ン	
C128	US063681	CERAMIC CAPACITOR (CHIP)	6800P 50V K RECT.	チ ッ プ セ ラ (B)	
C131	US046102	CERAMIC CAPACITOR (CHIP)	1.00 25V K RECT.	チ ッ プ セ ラ (B)	
C132	ZA584602	MONOLITHIC CERAMIC CAP(CHIP)	10.0 16V K RECT.	チ ッ プ 積 層 セ ラ コ ン	
C133	WV583800	ELECTROLYTIC CAP. (CHIP)	47.00 6.3V CHIP	ケ ミ コ ン R V D	
C141	US046102	CERAMIC CAPACITOR (CHIP)	1.00 25V K RECT.	チ ッ プ セ ラ (B)	
C142	US046102	CERAMIC CAPACITOR (CHIP)	1.00 25V K RECT.	チ ッ プ セ ラ (B)	
C181	ZA584602	MONOLITHIC CERAMIC CAP(CHIP)	10.0 16V K RECT.	チ ッ プ 積 層 セ ラ コ ン	
C202	UF06610R	ELECTROLYTIC CAP. (CHIP)	1 50V	チ ッ プ ケ ミ コ ン	
C223	UF017221	CAPACITOR	22 6.3V	チ ッ プ ケ ミ コ ン	
C233	UF017221	CAPACITOR	22 6.3V	チ ッ プ ケ ミ コ ン	
C241	UF037101	CAPACITOR	10 16V	チ ッ プ ケ ミ コ ン	
C244	UF037101	CAPACITOR	10 16V	チ ッ プ ケ ミ コ ン	
C251	UF037101	CAPACITOR	10 16V	チ ッ プ ケ ミ コ ン	
C254	UF037101	CAPACITOR	10 16V	チ ッ プ ケ ミ コ ン	
C303	UF037101	CAPACITOR	10 16V	チ ッ プ ケ ミ コ ン	
C307	UF037101	CAPACITOR	10 16V	チ ッ プ ケ ミ コ ン	
C313	UF017221	CAPACITOR	22 6.3V	チ ッ プ ケ ミ コ ン	
C322	UF017221	CAPACITOR	22 6.3V	チ ッ プ ケ ミ コ ン	
C352	UF017221	CAPACITOR	22 6.3V	チ ッ プ ケ ミ コ ン	
C403	UF037101	CAPACITOR	10 16V	チ ッ プ ケ ミ コ ン	
C407	UF037101	CAPACITOR	10 16V	チ ッ プ ケ ミ コ ン	
C413	UF017221	CAPACITOR	22 6.3V	チ ッ プ ケ ミ コ ン	
C422	UF017221	CAPACITOR	22 6.3V	チ ッ プ ケ ミ コ ン	
C501	US035102	CERAMIC CAPACITOR (CHIP)	0.1000 16V K RECT.	チ ッ プ セ ラ (B)	
C551	US035102	CERAMIC CAPACITOR (CHIP)	0.1000 16V K RECT.	チ ッ プ セ ラ (B)	
C602	US035102	CERAMIC CAPACITOR (CHIP)	0.1000 16V K RECT.	チ ッ プ セ ラ (B)	
C603	US064103	CERAMIC CAPACITOR (CHIP)	0.0100 50V K RECT.	チ ッ プ セ ラ (B)	
C607	US035102	CERAMIC CAPACITOR (CHIP)	0.1000 16V K RECT.	チ ッ プ セ ラ (B)	
C609	US035102	CERAMIC CAPACITOR (CHIP)	0.1000 16V K RECT.	チ ッ プ セ ラ (B)	
C611	US035102	CERAMIC CAPACITOR (CHIP)	0.1000 16V K RECT.	チ ッ プ セ ラ (B)	

*: New Parts

DMP

REF NO.	PART NO.	DESCRIPTION		部 品 名	REMARKS	QTY
C613	US064103	CERAMIC CAPACITOR (CHIP)	0.0100 50V K RECT.	チップセラ (B)		
C616	US064103	CERAMIC CAPACITOR (CHIP)	0.0100 50V K RECT.	チップセラ (B)		
C617	US035102	CERAMIC CAPACITOR (CHIP)	0.1000 16V K RECT.	チップセラ (B)		
C619	US035102	CERAMIC CAPACITOR (CHIP)	0.1000 16V K RECT.	チップセラ (B)		
C620	US064103	CERAMIC CAPACITOR (CHIP)	0.0100 50V K RECT.	チップセラ (B)		
C621	US035102	CERAMIC CAPACITOR (CHIP)	0.1000 16V K RECT.	チップセラ (B)		
C622	US035102	CERAMIC CAPACITOR (CHIP)	0.1000 16V K RECT.	チップセラ (B)		
C623	US064103	CERAMIC CAPACITOR (CHIP)	0.0100 50V K RECT.	チップセラ (B)		
C624	US035102	CERAMIC CAPACITOR (CHIP)	0.1000 16V K RECT.	チップセラ (B)		
C625	US035102	CERAMIC CAPACITOR (CHIP)	0.1000 16V K RECT.	チップセラ (B)		
C627	US035102	CERAMIC CAPACITOR (CHIP)	0.1000 16V K RECT.	チップセラ (B)		
C628	US035102	CERAMIC CAPACITOR (CHIP)	0.1000 16V K RECT.	チップセラ (B)		
C629	US064103	CERAMIC CAPACITOR (CHIP)	0.0100 50V K RECT.	チップセラ (B)		
C630	US035102	CERAMIC CAPACITOR (CHIP)	0.1000 16V K RECT.	チップセラ (B)		
C633	US062102	CERAMIC CAPACITOR (CHIP)	100P 50V J RECT.	チップセラ (S L)		
C633	V3152100	CERAMIC CAPACITOR (CHIP)	100P 50V J KAKUTE	チップセラ C H		
C636	WG888301	MONOLITHIC CERAMIC CAP(CHIP)	10.0 6.3V K TP	チップ積層セラコン		
C636	WP882001	CERAMIC CAPACITOR (CHIP)	10U 6.3V K RECT.	チップセラ		
C639	US064103	CERAMIC CAPACITOR (CHIP)	0.0100 50V K RECT.	チップセラ (B)		
-642	US064103	CERAMIC CAPACITOR (CHIP)	0.0100 50V K RECT.	チップセラ (B)		
C644	US064103	CERAMIC CAPACITOR (CHIP)	0.0100 50V K RECT.	チップセラ (B)		
C645	US062102	CERAMIC CAPACITOR (CHIP)	100P 50V J RECT.	チップセラ (S L)		
C645	V3152100	CERAMIC CAPACITOR (CHIP)	100P 50V J KAKUTE-	チップセラ C H		
C646	US064103	CERAMIC CAPACITOR (CHIP)	0.0100 50V K RECT.	チップセラ (B)		
C647	US064103	CERAMIC CAPACITOR (CHIP)	0.0100 50V K RECT.	チップセラ (B)		
C649	US064103	CERAMIC CAPACITOR (CHIP)	0.0100 50V K RECT.	チップセラ (B)		
C651	US064103	CERAMIC CAPACITOR (CHIP)	0.0100 50V K RECT.	チップセラ (B)		
C652	US064103	CERAMIC CAPACITOR (CHIP)	0.0100 50V K RECT.	チップセラ (B)		
CN101	VT389300	CONNECTOR	PH 12P TE	ベース付ポスト		
CN151	WD736900	CONNECTOR	PH 14P TE	ベース付ポスト		
CN152	VT388700	CONNECTOR	PH 6P TE	ベース付ポスト		
CN161	VT388600	CONNECTOR	PH 5P TE	ベース付ポスト		
CN181	VT389100	CONNECTOR	PH 10P TE	ベース付ポスト		
D111	V6267601	DIODE	RB051L-40 TP	ダイオード		
D121	V6267601	DIODE	RB051L-40 TP	ダイオード		
D131	WR148501	DIODE	RB521S-30TE61 TE	ダイオード		
D141	WR148501	DIODE	RB521S-30TE61 TE	ダイオード		
DA311	WY281800	DIODE ARRAY	DB3J314F0L 0.15A X	ダイオードアレイ		
DA312	WY281800	DIODE ARRAY	DB3J314F0L 0.15A X	ダイオードアレイ		
DA411	WY281800	DIODE ARRAY	DB3J314F0L 0.15A X	ダイオードアレイ		
DA412	WY281800	DIODE ARRAY	DB3J314F0L 0.15A X	ダイオードアレイ		
IC111	YE259B01	IC	BD9876AEFJ-E2	I C	DC-DC CONVERTER	
IC121	YE259B01	IC	BD9876AEFJ-E2	I C	DC-DC CONVERTER	
IC131	YF347A00	IC	NJM2884U2-05(TE2)	I C	REGULATOR +5V	
IC141	YE787A01	IC	BU33TD3WG-TR	I C	REGULATOR +3.3V	
L111	WV925300	POWER INDUCTOR (SMD)	22U 7E06NB-220M-RB	パワーインダクタ		
L121	WN970500	COIL INDUCTOR (CHIP)	10U NR6045T100M	チップインダクタ		
L131	VU95400R	INDUCTANCE (CHIP)	BLM21PG300SN1D	チップソリッドインダ		
L132	VU95400R	INDUCTANCE (CHIP)	BLM21PG300SN1D	チップソリッドインダ		
L151	VU95400R	INDUCTANCE (CHIP)	BLM21PG300SN1D	チップソリッドインダ		
L182	VU95400R	INDUCTANCE (CHIP)	BLM21PG300SN1D	チップソリッドインダ		
L221	VU95400R	INDUCTANCE (CHIP)	BLM21PG300SN1D	チップソリッドインダ		
L231	VU95400R	INDUCTANCE (CHIP)	BLM21PG300SN1D	チップソリッドインダ		
L312	VU95400R	INDUCTANCE (CHIP)	BLM21PG300SN1D	チップソリッドインダ		
L321	VU95400R	INDUCTANCE (CHIP)	BLM21PG300SN1D	チップソリッドインダ		
L351	VU95400R	INDUCTANCE (CHIP)	BLM21PG300SN1D	チップソリッドインダ		
L412	VU95400R	INDUCTANCE (CHIP)	BLM21PG300SN1D	チップソリッドインダ		
L421	VU95400R	INDUCTANCE (CHIP)	BLM21PG300SN1D	チップソリッドインダ		
Q181	WW782201	DIGITAL TRANSISTOR	DTC023JUBTL	デジタルトランジスタ		
Q242	VV655402	DIGITAL TRANSISTOR	DTC114EKA TP	デジタルトランジスタ		
Q242	WC435002	DIGITAL TRANSISTOR	KRC102S-RTK/P	デジタルトランジスタ		
Q243	VV655402	DIGITAL TRANSISTOR	DTC114EKA TP	デジタルトランジスタ		
Q243	WC435002	DIGITAL TRANSISTOR	KRC102S-RTK/P	デジタルトランジスタ		
Q244	VV655000	DIGITAL TRANSISTOR (CHIP)	DTA114EKA TP	デジタルトランジスタ		
Q244	WC434801	DIGITAL TRANSISTOR (CHIP)	KRA102S-RTK/P	デジタルトランジスタ		
R101	RD250001	CARBON RESISTOR (CHIP)	0.0 0.0 J RECT.	チップ抵抗		
-107	RD250001	CARBON RESISTOR (CHIP)	0.0 0.0 J RECT.	チップ抵抗		
R112	RF457471	CARBON RESISTOR (CHIP)	47.0K D RECT.	チップ抵抗		
R113	RF456222	CARBON RESISTOR (CHIP)	2.2K D RECT.	チップ抵抗		
R114	RF457103	CARBON RESISTOR (CHIP)	10.0K D RECT.	チップ抵抗		

*: New Parts

DMP and DMS

REF NO.	PART NO.	DESCRIPTION		部	品	名	REMARKS	QTY		
R115	RD357102	CARBON RESISTOR (CHIP)	10.0K 63M J RECT.	チ	ッ	ブ	抵抗			
R116	RD354472	CARBON RESISTOR (CHIP)	47.0 63M J RECT.	チ	ッ	ブ	抵抗			
R118	RD156272	CARBON RESISTOR (CHIP)	2.7K 1/4 J TP	チ	ッ	ブ	抵抗			
R119	RD156272	CARBON RESISTOR (CHIP)	2.7K 1/4 J TP	チ	ッ	ブ	抵抗			
R122	RF457222	CARBON RESISTOR (CHIP)	22.0K D RECT.	チ	ッ	ブ	抵抗			
R123	RF456102	CARBON RESISTOR (CHIP)	1.0K D RECT.	チ	ッ	ブ	抵抗			
R124	RF457103	CARBON RESISTOR (CHIP)	10.0K D RECT.	チ	ッ	ブ	抵抗			
R125	RD357102	CARBON RESISTOR (CHIP)	10.0K 63M J RECT.	チ	ッ	ブ	抵抗			
R126	RD354472	CARBON RESISTOR (CHIP)	47.0 63M J RECT.	チ	ッ	ブ	抵抗			
R132	RD350003	CARBON RESISTOR (CHIP)	0 63M J RECT.	チ	ッ	ブ	抵抗			
R151	RD357102	CARBON RESISTOR (CHIP)	10.0K 63M J RECT.	チ	ッ	ブ	抵抗			
R181	RD357102	CARBON RESISTOR (CHIP)	10.0K 63M J RECT.	チ	ッ	ブ	抵抗			
R182	RD357102	CARBON RESISTOR (CHIP)	10.0K 63M J RECT.	チ	ッ	ブ	抵抗			
R183	RD254221	CARBON RESISTOR (CHIP)	22.0 0.1 J RECT.	チ	ッ	ブ	抵抗			
R245	RD356103	CARBON RESISTOR (CHIP)	1.0K 63M J RECT.	チ	ッ	ブ	抵抗			
R249	RD358102	CARBON RESISTOR (CHIP)	100.0K 63M J RECT.	チ	ッ	ブ	抵抗			
R255	RD356103	CARBON RESISTOR (CHIP)	1.0K 63M J RECT.	チ	ッ	ブ	抵抗			
R260	RD355101	CARBON RESISTOR (CHIP)	100.0 63M J RECT.	チ	ッ	ブ	抵抗			
R267	RD357102	CARBON RESISTOR (CHIP)	10.0K 63M J RECT.	チ	ッ	ブ	抵抗			
R270	RD356103	CARBON RESISTOR (CHIP)	1.0K 63M J RECT.	チ	ッ	ブ	抵抗			
R277	RD355101	CARBON RESISTOR (CHIP)	100.0 63M J RECT.	チ	ッ	ブ	抵抗			
R305	RD355101	CARBON RESISTOR (CHIP)	100.0 63M J RECT.	チ	ッ	ブ	抵抗			
R310	RD355101	CARBON RESISTOR (CHIP)	100.0 63M J RECT.	チ	ッ	ブ	抵抗			
R370	RD355101	CARBON RESISTOR (CHIP)	100.0 63M J RECT.	チ	ッ	ブ	抵抗			
R380	RD355101	CARBON RESISTOR (CHIP)	100.0 63M J RECT.	チ	ッ	ブ	抵抗			
R405	RD355101	CARBON RESISTOR (CHIP)	100.0 63M J RECT.	チ	ッ	ブ	抵抗			
R410	RD355101	CARBON RESISTOR (CHIP)	100.0 63M J RECT.	チ	ッ	ブ	抵抗			
R510	RD358102	CARBON RESISTOR (CHIP)	100.0K 63M J RECT.	チ	ッ	ブ	抵抗			
R517	RD357102	CARBON RESISTOR (CHIP)	10.0K 63M J RECT.	チ	ッ	ブ	抵抗			
R518	RD357102	CARBON RESISTOR (CHIP)	10.0K 63M J RECT.	チ	ッ	ブ	抵抗			
R552	RD357102	CARBON RESISTOR (CHIP)	10.0K 63M J RECT.	チ	ッ	ブ	抵抗			
R553	RD357102	CARBON RESISTOR (CHIP)	10.0K 63M J RECT.	チ	ッ	ブ	抵抗			
R566	RD357102	CARBON RESISTOR (CHIP)	10.0K 63M J RECT.	チ	ッ	ブ	抵抗			
R612	RD355472	CARBON RESISTOR (CHIP)	470.0 63M J RECT.	チ	ッ	ブ	抵抗			
-617	RD355472	CARBON RESISTOR (CHIP)	470.0 63M J RECT.	チ	ッ	ブ	抵抗			
R622	RD359102	CARBON RESISTOR (CHIP)	1.0M 63M J RECT.	チ	ッ	ブ	抵抗			
-624	RD359102	CARBON RESISTOR (CHIP)	1.0M 63M J RECT.	チ	ッ	ブ	抵抗			
R630	RD359102	CARBON RESISTOR (CHIP)	1.0M 63M J RECT.	チ	ッ	ブ	抵抗			
R634	RD359102	CARBON RESISTOR (CHIP)	1.0M 63M J RECT.	チ	ッ	ブ	抵抗			
R638	RD359102	CARBON RESISTOR (CHIP)	1.0M 63M J RECT.	チ	ッ	ブ	抵抗			
R641	RD359102	CARBON RESISTOR (CHIP)	1.0M 63M J RECT.	チ	ッ	ブ	抵抗			
R642	RD357102	CARBON RESISTOR (CHIP)	10.0K 63M J RECT.	チ	ッ	ブ	抵抗			
R643	RD359102	CARBON RESISTOR (CHIP)	1.0M 63M J RECT.	チ	ッ	ブ	抵抗			
R647	RD357102	CARBON RESISTOR (CHIP)	10.0K 63M J RECT.	チ	ッ	ブ	抵抗			
R653	RD357102	CARBON RESISTOR (CHIP)	10.0K 63M J RECT.	チ	ッ	ブ	抵抗			
R663	RD357102	CARBON RESISTOR (CHIP)	10.0K 63M J RECT.	チ	ッ	ブ	抵抗			
R670	RD357102	CARBON RESISTOR (CHIP)	10.0K 63M J RECT.	チ	ッ	ブ	抵抗			
R673	RD354472	CARBON RESISTOR (CHIP)	47.0 63M J RECT.	チ	ッ	ブ	抵抗			
R676	RD357102	CARBON RESISTOR (CHIP)	10.0K 63M J RECT.	チ	ッ	ブ	抵抗			
-679	RD357102	CARBON RESISTOR (CHIP)	10.0K 63M J RECT.	チ	ッ	ブ	抵抗			
R683	RD357102	CARBON RESISTOR (CHIP)	10.0K 63M J RECT.	チ	ッ	ブ	抵抗			
R698	RD356472	CARBON RESISTOR (CHIP)	4.7K 63M J RECT.	チ	ッ	ブ	抵抗			
R700	RD356472	CARBON RESISTOR (CHIP)	4.7K 63M J RECT.	チ	ッ	ブ	抵抗			
R705	RD357102	CARBON RESISTOR (CHIP)	10.0K 63M J RECT.	チ	ッ	ブ	抵抗			
R710	RD356221	CARBON RESISTOR (CHIP)	2.2K 63M J RECT.	チ	ッ	ブ	抵抗			
R712	RD356221	CARBON RESISTOR (CHIP)	2.2K 63M J RECT.	チ	ッ	ブ	抵抗			
R713	RD357102	CARBON RESISTOR (CHIP)	10.0K 63M J RECT.	チ	ッ	ブ	抵抗			
R715	RD357102	CARBON RESISTOR (CHIP)	10.0K 63M J RECT.	チ	ッ	ブ	抵抗			
R718	RD357102	CARBON RESISTOR (CHIP)	10.0K 63M J RECT.	チ	ッ	ブ	抵抗			
R722	RD357102	CARBON RESISTOR (CHIP)	10.0K 63M J RECT.	チ	ッ	ブ	抵抗			
R740	RD357102	CARBON RESISTOR (CHIP)	10.0K 63M J RECT.	チ	ッ	ブ	抵抗			
R757	RD357102	CARBON RESISTOR (CHIP)	10.0K 63M J RECT.	チ	ッ	ブ	抵抗			
R758	RD355472	CARBON RESISTOR (CHIP)	470.0 63M J RECT.	チ	ッ	ブ	抵抗			
R759	RD357102	CARBON RESISTOR (CHIP)	10.0K 63M J RECT.	チ	ッ	ブ	抵抗			
R760	RD355472	CARBON RESISTOR (CHIP)	470.0 63M J RECT.	チ	ッ	ブ	抵抗			
* CN171	ZQ256900	CIRCUIT BOARD	DMS	D	M	S	シ	ト	EMX5	(YG987C0)
CN172	WD96180R	CONNECTOR	GPHA202 20P TE	ピ	ン	ヘ	ッ	ダ		
K001	WD96180R	CONNECTOR	GPHA202 20P TE	ピ	ン	ヘ	ッ	ダ		
	--	EARTH PLATE		ア	ー	ス	ブ	レ		(ZT23750)

*: New Parts

DMS

REF NO.	PART NO.	DESCRIPTION	部 品 名	REMARKS	QTY
-004	--	EARTH PLATE	アースプレート	(ZT23750)	
* IC502	YH490C00	IC	W25Q80DVSSIG	SPI FLASH ROM 8Mbit BOOT/PROGRAM	
C001	US035102	CERAMIC CAPACITOR (CHIP)	0.1000 16V K RECT.	チップセラ (B)	
C002	US035102	CERAMIC CAPACITOR (CHIP)	0.1000 16V K RECT.	チップセラ (B)	
C011	US035102	CERAMIC CAPACITOR (CHIP)	0.1000 16V K RECT.	チップセラ (B)	
-020	US035102	CERAMIC CAPACITOR (CHIP)	0.1000 16V K RECT.	チップセラ (B)	
C192	US035102	CERAMIC CAPACITOR (CHIP)	0.1000 16V K RECT.	チップセラ (B)	
C193	US034472	CERAMIC CAPACITOR (CHIP)	0.0470 16V K RECT.	チップセラ (B)	
C195	US035102	CERAMIC CAPACITOR (CHIP)	0.1000 16V K RECT.	チップセラ (B)	
C201	US062472	CERAMIC CAPACITOR (CHIP)	470P 50V J RECT.	チップセラ (S L)	
C201	V585100R	CERAMIC CAPACITOR (CHIP)	470P 50V J KAKUTE-	チップセラ (C H)	
C204	US064103	CERAMIC CAPACITOR (CHIP)	0.0100 50V K RECT.	チップセラ (B)	
C205	US064103	CERAMIC CAPACITOR (CHIP)	0.0100 50V K RECT.	チップセラ (B)	
C206	US035102	CERAMIC CAPACITOR (CHIP)	0.1000 16V K RECT.	チップセラ (B)	
C207	US035102	CERAMIC CAPACITOR (CHIP)	0.1000 16V K RECT.	チップセラ (B)	
C211	US064103	CERAMIC CAPACITOR (CHIP)	0.0100 50V K RECT.	チップセラ (B)	
C213	US064103	CERAMIC CAPACITOR (CHIP)	0.0100 50V K RECT.	チップセラ (B)	
C214	US064103	CERAMIC CAPACITOR (CHIP)	0.0100 50V K RECT.	チップセラ (B)	
C221	WG888301	MONOLITHIC CERAMIC CAP(CHIP)	10.0 6.3V K TP	チップ積層セラコン	
C221	WP882001	CERAMIC CAPACITOR (CHIP)	10U 6.3V K RECT.	チップセラ	
C222	ZA584602	MONOLITHIC CERAMIC CAP(CHIP)	10.0 16V K RECT.	チップ積層セラコン	
C224	US035102	CERAMIC CAPACITOR (CHIP)	0.1000 16V K RECT.	チップセラ (B)	
-227	US035102	CERAMIC CAPACITOR (CHIP)	0.1000 16V K RECT.	チップセラ (B)	
C228	WG888301	MONOLITHIC CERAMIC CAP(CHIP)	10.0 6.3V K TP	チップ積層セラコン	
C228	WP882001	CERAMIC CAPACITOR (CHIP)	10U 6.3V K RECT.	チップセラ	
C231	US035102	CERAMIC CAPACITOR (CHIP)	0.1000 16V K RECT.	チップセラ (B)	
C232	US035102	CERAMIC CAPACITOR (CHIP)	0.1000 16V K RECT.	チップセラ (B)	
C234	WG888301	MONOLITHIC CERAMIC CAP(CHIP)	10.0 6.3V K TP	チップ積層セラコン	
C234	WP882001	CERAMIC CAPACITOR (CHIP)	10U 6.3V K RECT.	チップセラ	
C242	ZJ648500	CERAMIC CAPACITOR (CHIP)	1500P 50V J KAKUTE	チップセラ (C H)	
C243	US062151	CERAMIC CAPACITOR (CHIP)	150P 50V J RECT.	チップセラ (S L)	
C243	V5850700	CERAMIC CAPACITOR (CHIP)	150P 50V J KAKUTE	チップセラ C H	
C246	US064103	CERAMIC CAPACITOR (CHIP)	0.0100 50V K RECT.	チップセラ (B)	
C247	US064103	CERAMIC CAPACITOR (CHIP)	0.0100 50V K RECT.	チップセラ (B)	
C252	ZJ648500	CERAMIC CAPACITOR (CHIP)	1500P 50V J KAKUTE	チップセラ (C H)	
C253	US062151	CERAMIC CAPACITOR (CHIP)	150P 50V J RECT.	チップセラ (S L)	
C253	V5850700	CERAMIC CAPACITOR (CHIP)	150P 50V J KAKUTE	チップセラ C H	
C262	US035102	CERAMIC CAPACITOR (CHIP)	0.1000 16V K RECT.	チップセラ (B)	
-264	US035102	CERAMIC CAPACITOR (CHIP)	0.1000 16V K RECT.	チップセラ (B)	
C265	WG888301	MONOLITHIC CERAMIC CAP(CHIP)	10.0 6.3V K TP	チップ積層セラコン	
C265	WP882001	CERAMIC CAPACITOR (CHIP)	10U 6.3V K RECT.	チップセラ	
C267	US035102	CERAMIC CAPACITOR (CHIP)	0.1000 16V K RECT.	チップセラ (B)	
C271	US035102	CERAMIC CAPACITOR (CHIP)	0.1000 16V K RECT.	チップセラ (B)	
C302	US062102	CERAMIC CAPACITOR (CHIP)	100P 50V J RECT.	チップセラ (S L)	
C302	V3152100	CERAMIC CAPACITOR (CHIP)	100P 50V J KAKUTE	チップセラ C H	
C305	US064103	CERAMIC CAPACITOR (CHIP)	0.0100 50V K RECT.	チップセラ (B)	
C307	US062102	CERAMIC CAPACITOR (CHIP)	100P 50V J RECT.	チップセラ (S L)	
C307	V3152100	CERAMIC CAPACITOR (CHIP)	100P 50V J KAKUTE	チップセラ C H	
C310	US064103	CERAMIC CAPACITOR (CHIP)	0.0100 50V K RECT.	チップセラ (B)	
C312	US062102	CERAMIC CAPACITOR (CHIP)	100P 50V J RECT.	チップセラ (S L)	
C312	V3152100	CERAMIC CAPACITOR (CHIP)	100P 50V J KAKUTE	チップセラ C H	
C315	US064103	CERAMIC CAPACITOR (CHIP)	0.0100 50V K RECT.	チップセラ (B)	
C316	US064103	CERAMIC CAPACITOR (CHIP)	0.0100 50V K RECT.	チップセラ (B)	
C319	US035102	CERAMIC CAPACITOR (CHIP)	0.1000 16V K RECT.	チップセラ (B)	
C320	US035102	CERAMIC CAPACITOR (CHIP)	0.1000 16V K RECT.	チップセラ (B)	
C321	WG888301	MONOLITHIC CERAMIC CAP(CHIP)	10.0 6.3V K TP	チップ積層セラコン	
C321	WP882001	CERAMIC CAPACITOR (CHIP)	10U 6.3V K RECT.	チップセラ	
C322	US035102	CERAMIC CAPACITOR (CHIP)	0.1000 16V K RECT.	チップセラ (B)	
C324	US035102	CERAMIC CAPACITOR (CHIP)	0.1000 16V K RECT.	チップセラ (B)	
C325	WG251602	CERAMIC CAPACITOR (CHIP)	4.7 6.3V K RECT.	チップセラ	
C331	WG888301	MONOLITHIC CERAMIC CAP(CHIP)	10.0 6.3V K TP	チップ積層セラコン	
C331	WP882001	CERAMIC CAPACITOR (CHIP)	10U 6.3V K RECT.	チップセラ	
C332	US035102	CERAMIC CAPACITOR (CHIP)	0.1000 16V K RECT.	チップセラ (B)	
C334	US035102	CERAMIC CAPACITOR (CHIP)	0.1000 16V K RECT.	チップセラ (B)	
C335	WG251602	CERAMIC CAPACITOR (CHIP)	4.7 6.3V K RECT.	チップセラ	
C341	US035102	CERAMIC CAPACITOR (CHIP)	0.1000 16V K RECT.	チップセラ (B)	
C351	WU188700	CERAMIC CAPACITOR (CHIP)	1000P 50V J KAKUTE	チップセラ	
C352	US062151	CERAMIC CAPACITOR (CHIP)	150P 50V J RECT.	チップセラ (S L)	
C352	V5850700	CERAMIC CAPACITOR (CHIP)	150P 50V J KAKUTE-	チップセラ C H	
C353	US062151	CERAMIC CAPACITOR (CHIP)	150P 50V J RECT.	チップセラ (S L)	

*: New Parts

DMS

REF NO.	PART NO.	DESCRIPTION	部 品 名	REMARKS	QTY
C353	V5850700	CERAMIC CAPACITOR (CHIP)	150P 50V J KAKUTE-	チップセラ C H	
C354	US064103	CERAMIC CAPACITOR (CHIP)	0.0100 50V K RECT.	チップセラ (B)	
C355	US064103	CERAMIC CAPACITOR (CHIP)	0.0100 50V K RECT.	チップセラ (B)	
C361	WU188700	CERAMIC CAPACITOR (CHIP)	1000P 50V J KAKUTE	チップセラ	
C362	US062151	CERAMIC CAPACITOR (CHIP)	150P 50V J RECT.	チップセラ (S L)	
C362	V5850700	CERAMIC CAPACITOR (CHIP)	150P 50V J KAKUTE	チップセラ C H	
C363	US062151	CERAMIC CAPACITOR (CHIP)	150P 50V J RECT.	チップセラ (S L)	
C363	V5850700	CERAMIC CAPACITOR (CHIP)	150P 50V J KAKUTE	チップセラ C H	
C371	US035102	CERAMIC CAPACITOR (CHIP)	0.1000 16V K RECT.	チップセラ (B)	
C381	WU188700	CERAMIC CAPACITOR (CHIP)	1000P 50V J KAKUTE	チップセラ	
C382	US062180	CERAMIC CAPACITOR (CHIP)	180P 50V J RECT.	チップセラ (S L)	
C382	WZ532000	CERAMIC CAPACITOR (CHIP)	180P 50V J KAKUTE	チップセラ C H	
C383	US062180	CERAMIC CAPACITOR (CHIP)	180P 50V J RECT.	チップセラ (S L)	
C383	WZ532000	CERAMIC CAPACITOR (CHIP)	180P 50V J KAKUTE	チップセラ C H	
C384	US064103	CERAMIC CAPACITOR (CHIP)	0.0100 50V K RECT.	チップセラ (B)	
C385	US064103	CERAMIC CAPACITOR (CHIP)	0.0100 50V K RECT.	チップセラ (B)	
C391	WU188700	CERAMIC CAPACITOR (CHIP)	1000P 50V J KAKUTE	チップセラ	
C392	US062180	CERAMIC CAPACITOR (CHIP)	180P 50V J RECT.	チップセラ (S L)	
C392	WZ532000	CERAMIC CAPACITOR (CHIP)	180P 50V J KAKUTE	チップセラ C H	
C393	US062180	CERAMIC CAPACITOR (CHIP)	180P 50V J RECT.	チップセラ (S L)	
C393	WZ532000	CERAMIC CAPACITOR (CHIP)	180P 50V J KAKUTE	チップセラ C H	
C402	US035102	CERAMIC CAPACITOR (CHIP)	0.1000 16V K RECT.	チップセラ (B)	
C403	US061151	CERAMIC CAPACITOR (CHIP)	15P 50V J RECT.	チップセラ (C H)	
C404	US061151	CERAMIC CAPACITOR (CHIP)	15P 50V J RECT.	チップセラ (C H)	
C405	US035102	CERAMIC CAPACITOR (CHIP)	0.1000 16V K RECT.	チップセラ (B)	
-408	US035102	CERAMIC CAPACITOR (CHIP)	0.1000 16V K RECT.	チップセラ (B)	
C410	US035102	CERAMIC CAPACITOR (CHIP)	0.1000 16V K RECT.	チップセラ (B)	
C411	US046102	CERAMIC CAPACITOR (CHIP)	1.00 25V K RECT.	チップセラ (B)	
C412	US046102	CERAMIC CAPACITOR (CHIP)	1.00 25V K RECT.	チップセラ (B)	
C413	US035102	CERAMIC CAPACITOR (CHIP)	0.1000 16V K RECT.	チップセラ (B)	
C504	US061101	CERAMIC CAPACITOR (CHIP)	10P 50V D RECT.	チップセラ (C H)	
C513	US061101	CERAMIC CAPACITOR (CHIP)	10P 50V D RECT.	チップセラ (C H)	
C517	WG888301	MONOLITHIC CERAMIC CAP(CHIP)	10.0 6.3V K TP	チップ積層セラコン	
C517	WP882001	CERAMIC CAPACITOR (CHIP)	10U 6.3V K RECT.	チップセラ	
C529	US035102	CERAMIC CAPACITOR (CHIP)	0.1000 16V K RECT.	チップセラ (B)	
C532	US035102	CERAMIC CAPACITOR (CHIP)	0.1000 16V K RECT.	チップセラ (B)	
C536	US035102	CERAMIC CAPACITOR (CHIP)	0.1000 16V K RECT.	チップセラ (B)	
C538	US035102	CERAMIC CAPACITOR (CHIP)	0.1000 16V K RECT.	チップセラ (B)	
C542	US035102	CERAMIC CAPACITOR (CHIP)	0.1000 16V K RECT.	チップセラ (B)	
C544	US035102	CERAMIC CAPACITOR (CHIP)	0.1000 16V K RECT.	チップセラ (B)	
DA201	WY281800	DIODE ARRAY	DB3J314F0L 0.15A X	ダイオードアレイ	
DA211	WY281800	DIODE ARRAY	DB3J314F0L 0.15A X	ダイオードアレイ	
DA321	WY281800	DIODE ARRAY	DB3J314F0L 0.15A X	ダイオードアレイ	
DA322	WY281800	DIODE ARRAY	DB3J314F0L 0.15A X	ダイオードアレイ	
DA331	WY281800	DIODE ARRAY	DB3J314F0L 0.15A X	ダイオードアレイ	
IC192	X9347A00	IC	R3112N291A-TR-FE	I	C VOLTAGE DETECTOR
IC193	XY806A0R	IC	TC7WH14FU(TE12L,F)	I	C INVERTER
IC201	X6897A00	IC	BA4560RF-E2	I	C OP AMP
IC221	X7357A00	IC	PCM1803DBR	I	C } ADC
IC221	X7357B00	IC	PCM1803ADBR	I	C }
IC231	X7356A01	IC	PCM1780DBQR	I	C DAC
IC241	X6897A00	IC	BA4560RF-E2	I	C OP AMP
IC261	X9788A00	IC	BU6945K-E2	I	C SSP0
IC262	X5647A00	IC	SN74LV32APWR	I	C OR
IC271	X3693A00	IC	SN74LV245APWR	I	C TRANSCEIVER
IC301	X3505A01	IC	NJM2068M-D(TE2)	I	C OP AMP
IC311	X3505A01	IC	NJM2068M-D(TE2)	I	C OP AMP
IC321	YD303A00	IC	AK5386VT	I	C ADC
IC331	YD303A00	IC	AK5386VT	I	C ADC
IC341	X6040A01	IC	AK4385ET	I	C DAC
IC351	X3505A01	IC	NJM2068M-D(TE2)	I	C OP AMP
IC371	X6040A01	IC	AK4385ET	I	C DAC
IC381	X3505A01	IC	NJM2068M-D(TE2)	I	C OP AMP
IC401	YE441A00	IC	YSS952-QZE2A	I	C DSP (SPR-2)
IC402	YC287A01	IC	RP130Q181D-TR-FE	I	C REGULATOR +1.8V
IC403	XS775A01	IC	TC7SH04FU	I	C INVERTER
IC404	XS775A01	IC	TC7SH04FU	I	C INVERTER
* IC501	YF570B00	IC	LPC1820FBD144/3DE	I	C MCU
IC503	YD829A00	IC	BR24T128FVT-WE2	I	C EEPROM 128K
IC504	X3693A00	IC	SN74LV245APWR	I	C TRANSCEIVER

*: New Parts

DMS

REF NO.	PART NO.	DESCRIPTION		部 品 名	REMARKS	QTY
L222	VU95400R	INDUCTANCE (CHIP)	BLM21PG300SN1D	チップソリッドインダ		
L321	VU95400R	INDUCTANCE (CHIP)	BLM21PG300SN1D	チップソリッドインダ		
L331	VU95400R	INDUCTANCE (CHIP)	BLM21PG300SN1D	チップソリッドインダ		
Q241	VD303701	TRANSISTOR	2SC3326 -A,B(TE85R)	トランジスタ 2 S C		
Q241	WC883402	TRANSISTOR	2SD2704 K TP	トランジスタ 2 S D		
Q241	WH372200	TRANSISTOR	2SC KTC2875-B TP	トランジスタ 2 S C		
Q242	VV655402	DIGITAL TRANSISTOR	DTC114EKA TP	デジタルトランジスタ		
Q242	WC435002	DIGITAL TRANSISTOR	KRC102S-RTK/P	デジタルトランジスタ		
Q243	VV655402	DIGITAL TRANSISTOR	DTC114EKA TP	デジタルトランジスタ		
Q243	WC435002	DIGITAL TRANSISTOR	KRC102S-RTK/P	デジタルトランジスタ		
Q244	VV655000	DIGITAL TRANSISTOR (CHIP)	DTA114EKA TP	デジタルトランジスタ		
Q244	WC434801	DIGITAL TRANSISTOR (CHIP)	KRA102S-RTK/P	デジタルトランジスタ		
Q251	VD303701	TRANSISTOR	2SC3326 -A,B(TE85R)	トランジスタ 2 S C		
Q251	WC883402	TRANSISTOR	2SD2704 K TP	トランジスタ 2 S D		
Q251	WH372200	TRANSISTOR	2SC KTC2875-B TP	トランジスタ 2 S C		
Q501	VV655402	DIGITAL TRANSISTOR	DTC114EKA TP	デジタルトランジスタ		
Q501	WC435002	DIGITAL TRANSISTOR	KRC102S-RTK/P	デジタルトランジスタ		
Q502	VV655000	DIGITAL TRANSISTOR (CHIP)	DTA114EKA TP	デジタルトランジスタ		
Q502	WC434801	DIGITAL TRANSISTOR (CHIP)	KRA102S-RTK/P	デジタルトランジスタ		
R128	RD156272	CARBON RESISTOR (CHIP)	2.7K 1/4 J TP	チ ッ プ 抵 抗		
R129	RD156272	CARBON RESISTOR (CHIP)	2.7K 1/4 J TP	チ ッ プ 抵 抗		
R191	RD358102	CARBON RESISTOR (CHIP)	100.0K 63M J RECT.	チ ッ プ 抵 抗		
R201	RF457391	CARBON RESISTOR (CHIP)	39.0K D RECT.	チ ッ プ 抵 抗		
R203	RF456561	CARBON RESISTOR (CHIP)	5.6K D RECT.	チ ッ プ 抵 抗		
R211	RF457222	CARBON RESISTOR (CHIP)	22.0K D RECT.	チ ッ プ 抵 抗		
R212	RF457222	CARBON RESISTOR (CHIP)	22.0K D RECT.	チ ッ プ 抵 抗		
R214	RD355101	CARBON RESISTOR (CHIP)	100.0 63M J RECT.	チ ッ プ 抵 抗		
R215	RF457332	CARBON RESISTOR (CHIP)	33.0K D RECT.	チ ッ プ 抵 抗		
R216	RF457222	CARBON RESISTOR (CHIP)	22.0K D RECT.	チ ッ プ 抵 抗		
R221	RD355101	CARBON RESISTOR (CHIP)	100.0 63M J RECT.	チ ッ プ 抵 抗		
R241	RF456561	CARBON RESISTOR (CHIP)	5.6K D RECT.	チ ッ プ 抵 抗		
R242	RF456561	CARBON RESISTOR (CHIP)	5.6K D RECT.	チ ッ プ 抵 抗		
R243	RF457272	CARBON RESISTOR (CHIP)	27.0K D RECT.	チ ッ プ 抵 抗		
R244	RF456391	CARBON RESISTOR (CHIP)	3.9K D RECT.	チ ッ プ 抵 抗		
R245	RD356103	CARBON RESISTOR (CHIP)	1.0K 63M J RECT.	チ ッ プ 抵 抗		
R246	RD357102	CARBON RESISTOR (CHIP)	10.0K 63M J RECT.	チ ッ プ 抵 抗		
R247	RD358102	CARBON RESISTOR (CHIP)	100.0K 63M J RECT.	チ ッ プ 抵 抗		
R249	RD358102	CARBON RESISTOR (CHIP)	100.0K 63M J RECT.	チ ッ プ 抵 抗		
R251	RF456561	CARBON RESISTOR (CHIP)	5.6K D RECT.	チ ッ プ 抵 抗		
R252	RF456561	CARBON RESISTOR (CHIP)	5.6K D RECT.	チ ッ プ 抵 抗		
R253	RF457272	CARBON RESISTOR (CHIP)	27.0K D RECT.	チ ッ プ 抵 抗		
R254	RF456391	CARBON RESISTOR (CHIP)	3.9K D RECT.	チ ッ プ 抵 抗		
R255	RD356103	CARBON RESISTOR (CHIP)	1.0K 63M J RECT.	チ ッ プ 抵 抗		
R256	RD357102	CARBON RESISTOR (CHIP)	10.0K 63M J RECT.	チ ッ プ 抵 抗		
R257	RD358102	CARBON RESISTOR (CHIP)	100.0K 63M J RECT.	チ ッ プ 抵 抗		
R260	RD355101	CARBON RESISTOR (CHIP)	100.0 63M J RECT.	チ ッ プ 抵 抗		
R261	RD355472	CARBON RESISTOR (CHIP)	470.0 63M J RECT.	チ ッ プ 抵 抗		
R262	RD358221	CARBON RESISTOR (CHIP)	220.0K 63M J RECT.	チ ッ プ 抵 抗		
R263	RD355101	CARBON RESISTOR (CHIP)	100.0 63M J RECT.	チ ッ プ 抵 抗		
-266	RD355101	CARBON RESISTOR (CHIP)	100.0 63M J RECT.	チ ッ プ 抵 抗		
R267	RD357102	CARBON RESISTOR (CHIP)	10.0K 63M J RECT.	チ ッ プ 抵 抗		
R268	RD358102	CARBON RESISTOR (CHIP)	100.0K 63M J RECT.	チ ッ プ 抵 抗		
R271	RD355101	CARBON RESISTOR (CHIP)	100.0 63M J RECT.	チ ッ プ 抵 抗		
-276	RD355101	CARBON RESISTOR (CHIP)	100.0 63M J RECT.	チ ッ プ 抵 抗		
R301	RF457151	CARBON RESISTOR (CHIP)	15.0K D 1608	チ ッ プ 抵 抗		
R302	RF455681	CARBON RESISTOR (CHIP)	680.0 D RECT.	チ ッ プ 抵 抗		
R303	RF456391	CARBON RESISTOR (CHIP)	3.9K D RECT.	チ ッ プ 抵 抗		
R306	RF457151	CARBON RESISTOR (CHIP)	15.0K D 1608	チ ッ プ 抵 抗		
R307	RF455681	CARBON RESISTOR (CHIP)	680.0 D RECT.	チ ッ プ 抵 抗		
R308	RF456391	CARBON RESISTOR (CHIP)	3.9K D RECT.	チ ッ プ 抵 抗		
R311	RF457151	CARBON RESISTOR (CHIP)	15.0K D 1608	チ ッ プ 抵 抗		
R312	RF455681	CARBON RESISTOR (CHIP)	680.0 D RECT.	チ ッ プ 抵 抗		
R313	RF456391	CARBON RESISTOR (CHIP)	3.9K D RECT.	チ ッ プ 抵 抗		
R321	RD354472	CARBON RESISTOR (CHIP)	47.0 63M J RECT.	チ ッ プ 抵 抗		
-324	RD354472	CARBON RESISTOR (CHIP)	47.0 63M J RECT.	チ ッ プ 抵 抗		
R331	RD354472	CARBON RESISTOR (CHIP)	47.0 63M J RECT.	チ ッ プ 抵 抗		
-334	RD354472	CARBON RESISTOR (CHIP)	47.0 63M J RECT.	チ ッ プ 抵 抗		
R341	RD354472	CARBON RESISTOR (CHIP)	47.0 63M J RECT.	チ ッ プ 抵 抗		
-345	RD354472	CARBON RESISTOR (CHIP)	47.0 63M J RECT.	チ ッ プ 抵 抗		
R351	RF45527R	CARBON RESISTOR (CHIP)	270.0 D RECT.	チ ッ プ 抵 抗		

*: New Parts

DMS

REF NO.	PART NO.	DESCRIPTION	部	品	名	REMARKS	QTY
R352	RF456391	CARBON RESISTOR (CHIP) 3.9K D RECT.	チ	ッ	ブ	抵	抗
R353	RF45527R	CARBON RESISTOR (CHIP) 270.0 D RECT.	チ	ッ	ブ	抵	抗
R354	RF456391	CARBON RESISTOR (CHIP) 3.9K D RECT.	チ	ッ	ブ	抵	抗
R355	RF457222	CARBON RESISTOR (CHIP) 22.0K D RECT.	チ	ッ	ブ	抵	抗
R356	RF455331	CARBON RESISTOR (CHIP) 330.0 D RECT.	チ	ッ	ブ	抵	抗
R357	RF455331	CARBON RESISTOR (CHIP) 330.0 D RECT.	チ	ッ	ブ	抵	抗
R358	RF457222	CARBON RESISTOR (CHIP) 22.0K D RECT.	チ	ッ	ブ	抵	抗
R359	RD355101	CARBON RESISTOR (CHIP) 100.0 63M J RECT.	チ	ッ	ブ	抵	抗
R361	RF45527R	CARBON RESISTOR (CHIP) 270.0 D RECT.	チ	ッ	ブ	抵	抗
R362	RF456391	CARBON RESISTOR (CHIP) 3.9K D RECT.	チ	ッ	ブ	抵	抗
R363	RF45527R	CARBON RESISTOR (CHIP) 270.0 D RECT.	チ	ッ	ブ	抵	抗
R364	RF456391	CARBON RESISTOR (CHIP) 3.9K D RECT.	チ	ッ	ブ	抵	抗
R365	RF457222	CARBON RESISTOR (CHIP) 22.0K D RECT.	チ	ッ	ブ	抵	抗
R366	RF455331	CARBON RESISTOR (CHIP) 330.0 D RECT.	チ	ッ	ブ	抵	抗
R367	RF455331	CARBON RESISTOR (CHIP) 330.0 D RECT.	チ	ッ	ブ	抵	抗
R368	RF457222	CARBON RESISTOR (CHIP) 22.0K D RECT.	チ	ッ	ブ	抵	抗
R369	RD355101	CARBON RESISTOR (CHIP) 100.0 63M J RECT.	チ	ッ	ブ	抵	抗
R371	RD354472	CARBON RESISTOR (CHIP) 47.0 63M J RECT.	チ	ッ	ブ	抵	抗
-375	RD354472	CARBON RESISTOR (CHIP) 47.0 63M J RECT.	チ	ッ	ブ	抵	抗
R381	RF455391	CARBON RESISTOR (CHIP) 390.0 D RECT.	チ	ッ	ブ	抵	抗
R382	RF456391	CARBON RESISTOR (CHIP) 3.9K D RECT.	チ	ッ	ブ	抵	抗
R383	RF455391	CARBON RESISTOR (CHIP) 390.0 D RECT.	チ	ッ	ブ	抵	抗
R384	RF456391	CARBON RESISTOR (CHIP) 3.9K D RECT.	チ	ッ	ブ	抵	抗
R385	RF457182	CARBON RESISTOR (CHIP) 18.0K D RECT.	チ	ッ	ブ	抵	抗
R386	RF455221	CARBON RESISTOR (CHIP) 220.0 D RECT.	チ	ッ	ブ	抵	抗
R387	RF455221	CARBON RESISTOR (CHIP) 220.0 D RECT.	チ	ッ	ブ	抵	抗
R388	RF457182	CARBON RESISTOR (CHIP) 18.0K D RECT.	チ	ッ	ブ	抵	抗
R389	RD355101	CARBON RESISTOR (CHIP) 100.0 63M J RECT.	チ	ッ	ブ	抵	抗
R391	RF455391	CARBON RESISTOR (CHIP) 390.0 D RECT.	チ	ッ	ブ	抵	抗
R392	RF456391	CARBON RESISTOR (CHIP) 3.9K D RECT.	チ	ッ	ブ	抵	抗
R393	RF455391	CARBON RESISTOR (CHIP) 390.0 D RECT.	チ	ッ	ブ	抵	抗
R394	RF456391	CARBON RESISTOR (CHIP) 3.9K D RECT.	チ	ッ	ブ	抵	抗
R395	RF457182	CARBON RESISTOR (CHIP) 18.0K D RECT.	チ	ッ	ブ	抵	抗
R396	RF455221	CARBON RESISTOR (CHIP) 220.0 D RECT.	チ	ッ	ブ	抵	抗
R397	RF455221	CARBON RESISTOR (CHIP) 220.0 D RECT.	チ	ッ	ブ	抵	抗
R398	RF457182	CARBON RESISTOR (CHIP) 18.0K D RECT.	チ	ッ	ブ	抵	抗
R399	RD355101	CARBON RESISTOR (CHIP) 100.0 63M J RECT.	チ	ッ	ブ	抵	抗
R401	RD358102	CARBON RESISTOR (CHIP) 100.0K 63M J RECT.	チ	ッ	ブ	抵	抗
R402	RD358102	CARBON RESISTOR (CHIP) 100.0K 63M J RECT.	チ	ッ	ブ	抵	抗
R404	RD357102	CARBON RESISTOR (CHIP) 10.0K 63M J RECT.	チ	ッ	ブ	抵	抗
R406	RD356180	CARBON RESISTOR (CHIP) 1.8K 63M J RECT.	チ	ッ	ブ	抵	抗
R407	RD354472	CARBON RESISTOR (CHIP) 47.0 63M J RECT.	チ	ッ	ブ	抵	抗
R409	RD359102	CARBON RESISTOR (CHIP) 1.0M 63M J RECT.	チ	ッ	ブ	抵	抗
R410	RD354472	CARBON RESISTOR (CHIP) 47.0 63M J RECT.	チ	ッ	ブ	抵	抗
-415	RD354472	CARBON RESISTOR (CHIP) 47.0 63M J RECT.	チ	ッ	ブ	抵	抗
R416	RD358102	CARBON RESISTOR (CHIP) 100.0K 63M J RECT.	チ	ッ	ブ	抵	抗
R418	RD358102	CARBON RESISTOR (CHIP) 100.0K 63M J RECT.	チ	ッ	ブ	抵	抗
R419	RD358102	CARBON RESISTOR (CHIP) 100.0K 63M J RECT.	チ	ッ	ブ	抵	抗
R420	RD354472	CARBON RESISTOR (CHIP) 47.0 63M J RECT.	チ	ッ	ブ	抵	抗
R515	RD355472	CARBON RESISTOR (CHIP) 470.0 63M J RECT.	チ	ッ	ブ	抵	抗
R517	RD357102	CARBON RESISTOR (CHIP) 10.0K 63M J RECT.	チ	ッ	ブ	抵	抗
R519	RD357102	CARBON RESISTOR (CHIP) 10.0K 63M J RECT.	チ	ッ	ブ	抵	抗
R520	RD355472	CARBON RESISTOR (CHIP) 470.0 63M J RECT.	チ	ッ	ブ	抵	抗
R521	RD355472	CARBON RESISTOR (CHIP) 470.0 63M J RECT.	チ	ッ	ブ	抵	抗
R523	RD357102	CARBON RESISTOR (CHIP) 10.0K 63M J RECT.	チ	ッ	ブ	抵	抗
R524	RD357102	CARBON RESISTOR (CHIP) 10.0K 63M J RECT.	チ	ッ	ブ	抵	抗
R526	RD355472	CARBON RESISTOR (CHIP) 470.0 63M J RECT.	チ	ッ	ブ	抵	抗
R528	RD357102	CARBON RESISTOR (CHIP) 10.0K 63M J RECT.	チ	ッ	ブ	抵	抗
R529	RD355472	CARBON RESISTOR (CHIP) 470.0 63M J RECT.	チ	ッ	ブ	抵	抗
R530	RD355151	CARBON RESISTOR (CHIP) 150.0 63M J RECT.	チ	ッ	ブ	抵	抗
R532	RD359102	CARBON RESISTOR (CHIP) 1.0M 63M J RECT.	チ	ッ	ブ	抵	抗
R534	RD357102	CARBON RESISTOR (CHIP) 10.0K 63M J RECT.	チ	ッ	ブ	抵	抗
R535	RD355472	CARBON RESISTOR (CHIP) 470.0 63M J RECT.	チ	ッ	ブ	抵	抗
R536	RD359102	CARBON RESISTOR (CHIP) 1.0M 63M J RECT.	チ	ッ	ブ	抵	抗
R537	RD358471	CARBON RESISTOR (CHIP) 470.0K 63M J RECT.	チ	ッ	ブ	抵	抗
R538	RD359102	CARBON RESISTOR (CHIP) 1.0M 63M J RECT.	チ	ッ	ブ	抵	抗
R539	RD357102	CARBON RESISTOR (CHIP) 10.0K 63M J RECT.	チ	ッ	ブ	抵	抗
R541	RD359102	CARBON RESISTOR (CHIP) 1.0M 63M J RECT.	チ	ッ	ブ	抵	抗
R542	RD356472	CARBON RESISTOR (CHIP) 4.7K 63M J RECT.	チ	ッ	ブ	抵	抗
R543	RD355472	CARBON RESISTOR (CHIP) 470.0 63M J RECT.	チ	ッ	ブ	抵	抗

*: New Parts

DMS

REF NO.	PART NO.	DESCRIPTION		部	品	名	REMARKS	QTY
R545	RD359102	CARBON RESISTOR (CHIP)	1.0M 63M J RECT.	チ	ッ	ブ 抵 抗		
R546	RD355472	CARBON RESISTOR (CHIP)	470.0 63M J RECT.	チ	ッ	ブ 抵 抗		
R547	RD357102	CARBON RESISTOR (CHIP)	10.0K 63M J RECT.	チ	ッ	ブ 抵 抗		
R548	RD355472	CARBON RESISTOR (CHIP)	470.0 63M J RECT.	チ	ッ	ブ 抵 抗		
R549	RD357102	CARBON RESISTOR (CHIP)	10.0K 63M J RECT.	チ	ッ	ブ 抵 抗		
R550	RD355472	CARBON RESISTOR (CHIP)	470.0 63M J RECT.	チ	ッ	ブ 抵 抗		
R551	RD357102	CARBON RESISTOR (CHIP)	10.0K 63M J RECT.	チ	ッ	ブ 抵 抗		
R552	RD357102	CARBON RESISTOR (CHIP)	10.0K 63M J RECT.	チ	ッ	ブ 抵 抗		
R553	RD355472	CARBON RESISTOR (CHIP)	470.0 63M J RECT.	チ	ッ	ブ 抵 抗		
R554	RD357102	CARBON RESISTOR (CHIP)	10.0K 63M J RECT.	チ	ッ	ブ 抵 抗		
R555	RD357102	CARBON RESISTOR (CHIP)	10.0K 63M J RECT.	チ	ッ	ブ 抵 抗		
R556	RF457121	CARBON RESISTOR (CHIP)	12.0K D RECT.	チ	ッ	ブ 抵 抗		
R557	RD357102	CARBON RESISTOR (CHIP)	10.0K 63M J RECT.	チ	ッ	ブ 抵 抗		
R558	RD350003	CARBON RESISTOR (CHIP)	0 63M J RECT.	チ	ッ	ブ 抵 抗		
R559	RD357102	CARBON RESISTOR (CHIP)	10.0K 63M J RECT.	チ	ッ	ブ 抵 抗		
R560	RD354472	CARBON RESISTOR (CHIP)	47.0 63M J RECT.	チ	ッ	ブ 抵 抗		
R561	RD354472	CARBON RESISTOR (CHIP)	47.0 63M J RECT.	チ	ッ	ブ 抵 抗		
R562	RD357102	CARBON RESISTOR (CHIP)	10.0K 63M J RECT.	チ	ッ	ブ 抵 抗		
R563	RD354472	CARBON RESISTOR (CHIP)	47.0 63M J RECT.	チ	ッ	ブ 抵 抗		
R564	RD357102	CARBON RESISTOR (CHIP)	10.0K 63M J RECT.	チ	ッ	ブ 抵 抗		
R565	RD354472	CARBON RESISTOR (CHIP)	47.0 63M J RECT.	チ	ッ	ブ 抵 抗		
R566	RD354472	CARBON RESISTOR (CHIP)	47.0 63M J RECT.	チ	ッ	ブ 抵 抗		
R567	RD359102	CARBON RESISTOR (CHIP)	1.0M 63M J RECT.	チ	ッ	ブ 抵 抗		
R570	RD354472	CARBON RESISTOR (CHIP)	47.0 63M J RECT.	チ	ッ	ブ 抵 抗		
-573	RD354472	CARBON RESISTOR (CHIP)	47.0 63M J RECT.	チ	ッ	ブ 抵 抗		
R574	RD357102	CARBON RESISTOR (CHIP)	10.0K 63M J RECT.	チ	ッ	ブ 抵 抗		
R575	RD354472	CARBON RESISTOR (CHIP)	47.0 63M J RECT.	チ	ッ	ブ 抵 抗		
-578	RD354472	CARBON RESISTOR (CHIP)	47.0 63M J RECT.	チ	ッ	ブ 抵 抗		
R580	RD354472	CARBON RESISTOR (CHIP)	47.0 63M J RECT.	チ	ッ	ブ 抵 抗		
-584	RD354472	CARBON RESISTOR (CHIP)	47.0 63M J RECT.	チ	ッ	ブ 抵 抗		
R585	RD357102	CARBON RESISTOR (CHIP)	10.0K 63M J RECT.	チ	ッ	ブ 抵 抗		
R587	RD354472	CARBON RESISTOR (CHIP)	47.0 63M J RECT.	チ	ッ	ブ 抵 抗		
R588	RD354472	CARBON RESISTOR (CHIP)	47.0 63M J RECT.	チ	ッ	ブ 抵 抗		
R592	RD357102	CARBON RESISTOR (CHIP)	10.0K 63M J RECT.	チ	ッ	ブ 抵 抗		
-596	RD357102	CARBON RESISTOR (CHIP)	10.0K 63M J RECT.	チ	ッ	ブ 抵 抗		
R604	RD354472	CARBON RESISTOR (CHIP)	47.0 63M J RECT.	チ	ッ	ブ 抵 抗		
-606	RD354472	CARBON RESISTOR (CHIP)	47.0 63M J RECT.	チ	ッ	ブ 抵 抗		
R608	RD354472	CARBON RESISTOR (CHIP)	47.0 63M J RECT.	チ	ッ	ブ 抵 抗		
R609	RD354472	CARBON RESISTOR (CHIP)	47.0 63M J RECT.	チ	ッ	ブ 抵 抗		
R613	RD354472	CARBON RESISTOR (CHIP)	47.0 63M J RECT.	チ	ッ	ブ 抵 抗		
R617	RD354472	CARBON RESISTOR (CHIP)	47.0 63M J RECT.	チ	ッ	ブ 抵 抗		
R619	RD354472	CARBON RESISTOR (CHIP)	47.0 63M J RECT.	チ	ッ	ブ 抵 抗		
R621	RD357102	CARBON RESISTOR (CHIP)	10.0K 63M J RECT.	チ	ッ	ブ 抵 抗		
R622	RD357102	CARBON RESISTOR (CHIP)	10.0K 63M J RECT.	チ	ッ	ブ 抵 抗		
X261	WA32110R	CERAMIC RESONATOR	16.934MHz	セ	ラ	ミ ッ ク 振 動 子		
X401	WS190001	QUARTZ CRYSTAL UNIT	24.576MHz	水	晶	振 動 子		
X501	WK192600	QUARTZ CRYSTA (CHIP)	12MHz	水	晶	振 動 子		
C101	UF03810R	ELECTROLYTIC CAP. (CHIP)	100 16V	チ	ッ	ブ ケ ミ コ ン		
-104	UF03810R	ELECTROLYTIC CAP. (CHIP)	100 16V	チ	ッ	ブ ケ ミ コ ン		
C111	WF547901	CERAMIC CAPACITOR (CHIP)	10.000 25V K KAKUT	チ	ッ	ブ セ ラ		
C114	US064103	CERAMIC CAPACITOR (CHIP)	0.0100 50V K RECT.	チ	ッ	ブ セ ラ (B)		
C116	WH046601	MONOLITHIC CERAMIC CAP(CHIP)	47 16V K 3225	チ	ッ	ブ 積 層 セ ラ コ ン		
C118	US063681	CERAMIC CAPACITOR (CHIP)	6800P 50V K RECT.	チ	ッ	ブ セ ラ (B)		
C121	WF547901	CERAMIC CAPACITOR (CHIP)	10.000 25V K KAKUT	チ	ッ	ブ セ ラ		
C124	US064103	CERAMIC CAPACITOR (CHIP)	0.0100 50V K RECT.	チ	ッ	ブ セ ラ (B)		
C126	WH046601	MONOLITHIC CERAMIC CAP(CHIP)	47 16V K 3225	チ	ッ	ブ 積 層 セ ラ コ ン		
C128	US063681	CERAMIC CAPACITOR (CHIP)	6800P 50V K RECT.	チ	ッ	ブ セ ラ (B)		
C131	US046102	CERAMIC CAPACITOR (CHIP)	1.00 25V K RECT.	チ	ッ	ブ セ ラ (B)		
C132	ZA584602	MONOLITHIC CERAMIC CAP(CHIP)	10.0 16V K RECT.	チ	ッ	ブ 積 層 セ ラ コ ン		
C133	WV583800	ELECTROLYTIC CAP. (CHIP)	47.00 6.3V CHIP	ケ	ミ	コ ン R V D		
C141	US046102	CERAMIC CAPACITOR (CHIP)	1.00 25V K RECT.	チ	ッ	ブ セ ラ (B)		
C142	US046102	CERAMIC CAPACITOR (CHIP)	1.00 25V K RECT.	チ	ッ	ブ セ ラ (B)		
C202	UF066102	CAPACITOR	1 50V	チ	ッ	ブ ケ ミ コ ン		
C203	WH410100	MONOLITHIC CERAMIC CAP(CHIP)	CH 0.01 50V J	チ	ッ	ブ 積 層 セ ラ コ ン		
C223	UF017221	CAPACITOR	22 6.3V	チ	ッ	ブ ケ ミ コ ン		
C233	UF017221	CAPACITOR	22 6.3V	チ	ッ	ブ ケ ミ コ ン		
C241	UF037101	CAPACITOR	10 16V	チ	ッ	ブ ケ ミ コ ン		
C244	UF037101	CAPACITOR	10 16V	チ	ッ	ブ ケ ミ コ ン		
C251	UF037101	CAPACITOR	10 16V	チ	ッ	ブ ケ ミ コ ン		
C254	UF037101	CAPACITOR	10 16V	チ	ッ	ブ ケ ミ コ ン		

*: New Parts

DMS

REF NO.	PART NO.	DESCRIPTION		部 品 名	REMARKS	QTY
C303	UF037101	CAPACITOR	10 16V	チップケミコン		
C308	UF037101	CAPACITOR	10 16V	チップケミコン		
C313	UF037101	CAPACITOR	10 16V	チップケミコン		
C323	UF017221	CAPACITOR	22 6.3V	チップケミコン		
C333	UF017221	CAPACITOR	22 6.3V	チップケミコン		
C342	UF017221	CAPACITOR	22 6.3V	チップケミコン		
C372	UF017221	CAPACITOR	22 6.3V	チップケミコン		
C502	US064103	CERAMIC CAPACITOR (CHIP)	0.0100 50V K RECT.	チップセラ(B)		
C503	US064103	CERAMIC CAPACITOR (CHIP)	0.0100 50V K RECT.	チップセラ(B)		
C505	US064103	CERAMIC CAPACITOR (CHIP)	0.0100 50V K RECT.	チップセラ(B)		
C506	US064103	CERAMIC CAPACITOR (CHIP)	0.0100 50V K RECT.	チップセラ(B)		
C507	US062102	CERAMIC CAPACITOR (CHIP)	100P 50V J RECT.	チップセラ(SL)		
C507	V3152100	CERAMIC CAPACITOR (CHIP)	100P 50V J KAKUTE	チップセラCH		
C508	US064103	CERAMIC CAPACITOR (CHIP)	0.0100 50V K RECT.	チップセラ(B)		
C509	US062102	CERAMIC CAPACITOR (CHIP)	100P 50V J RECT.	チップセラ(SL)		
C509	V3152100	CERAMIC CAPACITOR (CHIP)	100P 50V J KAKUTE	チップセラCH		
C510	US064103	CERAMIC CAPACITOR (CHIP)	0.0100 50V K RECT.	チップセラ(B)		
-512	US064103	CERAMIC CAPACITOR (CHIP)	0.0100 50V K RECT.	チップセラ(B)		
C514	US064103	CERAMIC CAPACITOR (CHIP)	0.0100 50V K RECT.	チップセラ(B)		
-516	US064103	CERAMIC CAPACITOR (CHIP)	0.0100 50V K RECT.	チップセラ(B)		
C518	US064103	CERAMIC CAPACITOR (CHIP)	0.0100 50V K RECT.	チップセラ(B)		
C519	US035102	CERAMIC CAPACITOR (CHIP)	0.1000 16V K RECT.	チップセラ(B)		
-522	US035102	CERAMIC CAPACITOR (CHIP)	0.1000 16V K RECT.	チップセラ(B)		
C523	US064103	CERAMIC CAPACITOR (CHIP)	0.0100 50V K RECT.	チップセラ(B)		
C524	US064103	CERAMIC CAPACITOR (CHIP)	0.0100 50V K RECT.	チップセラ(B)		
C526	US035102	CERAMIC CAPACITOR (CHIP)	0.1000 16V K RECT.	チップセラ(B)		
C527	US035102	CERAMIC CAPACITOR (CHIP)	0.1000 16V K RECT.	チップセラ(B)		
C534	US035102	CERAMIC CAPACITOR (CHIP)	0.1000 16V K RECT.	チップセラ(B)		
C535	US035102	CERAMIC CAPACITOR (CHIP)	0.1000 16V K RECT.	チップセラ(B)		
C537	US035102	CERAMIC CAPACITOR (CHIP)	0.1000 16V K RECT.	チップセラ(B)		
C539	US035102	CERAMIC CAPACITOR (CHIP)	0.1000 16V K RECT.	チップセラ(B)		
C540	US035102	CERAMIC CAPACITOR (CHIP)	0.1000 16V K RECT.	チップセラ(B)		
C541	WG888301	MONOLITHIC CERAMIC CAP(CHIP)	10.0 6.3V K TP	チップ積層セラコン		
C541	WP882001	CERAMIC CAPACITOR (CHIP)	10U 6.3V K RECT.	チップセラ		
C543	US062102	CERAMIC CAPACITOR (CHIP)	100P 50V J RECT.	チップセラ(SL)		
C543	V3152100	CERAMIC CAPACITOR (CHIP)	100P 50V J KAKUTE	チップセラCH		
C545	US064103	CERAMIC CAPACITOR (CHIP)	0.0100 50V K RECT.	チップセラ(B)		
-547	US064103	CERAMIC CAPACITOR (CHIP)	0.0100 50V K RECT.	チップセラ(B)		
CN101	VT389300	CONNECTOR	PH 12P TE	ベース付ポスト		
CN151	WD736900	CONNECTOR	PH 14P TE	ベース付ポスト		
CN152	VT388700	CONNECTOR	PH 6P TE	ベース付ポスト		
CN161	VT388600	CONNECTOR	PH 5P TE	ベース付ポスト		
D111	V6267601	DIODE	RB051L-40 TP	ダイオード		
D121	V6267601	DIODE	RB051L-40 TP	ダイオード		
D131	WR148501	DIODE	RB521S-30TE61 TE	ダイオード		
D141	WR148501	DIODE	RB521S-30TE61 TE	ダイオード		
IC111	YE259B01	IC	BD9876AEFJ-E2	I	C	DC-DC CONVERTER
IC121	YE259B01	IC	BD9876AEFJ-E2	I	C	DC-DC CONVERTER
IC131	YF347A00	IC	NJM2884U2-05(TE2)	I	C	REGULATOR +5V
IC141	YE787A01	IC	BU33TD3WG-TR	I	C	REGULATOR +3.3V
L111	VV925300	POWER INDUCTOR (SMD)	22U 7E06NB-220M-RB	パワーインダクタ		
L121	WN970500	COIL INDUCTOR (CHIP)	10U NR6045T100M	チップインダクタ		
L131	VU95400R	INDUCTANCE (CHIP)	BLM21PG300SN1D	チップソリッドインダ		
L151	VU95400R	INDUCTANCE (CHIP)	BLM21PG300SN1D	チップソリッドインダ		
L221	VU95400R	INDUCTANCE (CHIP)	BLM21PG300SN1D	チップソリッドインダ		
L231	VU95400R	INDUCTANCE (CHIP)	BLM21PG300SN1D	チップソリッドインダ		
L322	VU95400R	INDUCTANCE (CHIP)	BLM21PG300SN1D	チップソリッドインダ		
L332	VU95400R	INDUCTANCE (CHIP)	BLM21PG300SN1D	チップソリッドインダ		
L341	VU95400R	INDUCTANCE (CHIP)	BLM21PG300SN1D	チップソリッドインダ		
L371	VU95400R	INDUCTANCE (CHIP)	BLM21PG300SN1D	チップソリッドインダ		
R101	RD250001	CARBON RESISTOR (CHIP)	0.0 0.0 J RECT.	チップ抵抗		
-109	RD250001	CARBON RESISTOR (CHIP)	0.0 0.0 J RECT.	チップ抵抗		
R112	RF457471	CARBON RESISTOR (CHIP)	47.0K D RECT.	チップ抵抗		
R113	RF456222	CARBON RESISTOR (CHIP)	2.2K D RECT.	チップ抵抗		
R114	RF457103	CARBON RESISTOR (CHIP)	10.0K D RECT.	チップ抵抗		
R115	RD357102	CARBON RESISTOR (CHIP)	10.0K 63M J RECT.	チップ抵抗		
R116	RD354472	CARBON RESISTOR (CHIP)	47.0 63M J RECT.	チップ抵抗		
R118	RD156272	CARBON RESISTOR (CHIP)	2.7K 1/4 J TP	チップ抵抗		
R119	RD156272	CARBON RESISTOR (CHIP)	2.7K 1/4 J TP	チップ抵抗		
R122	RF457222	CARBON RESISTOR (CHIP)	22.0K D RECT.	チップ抵抗		

*: New Parts

DMS and LCD

REF NO.	PART NO.	DESCRIPTION		部	品	名	REMARKS	QTY
R123	RF456102	CARBON RESISTOR (CHIP)	1.0K D RECT.	チ	ッ	ブ 抵 抗		
R124	RF457103	CARBON RESISTOR (CHIP)	10.0K D RECT.	チ	ッ	ブ 抵 抗		
R125	RD357102	CARBON RESISTOR (CHIP)	10.0K 63M J RECT.	チ	ッ	ブ 抵 抗		
R126	RD354472	CARBON RESISTOR (CHIP)	47.0 63M J RECT.	チ	ッ	ブ 抵 抗		
R132	RD350003	CARBON RESISTOR (CHIP)	0 63M J RECT.	チ	ッ	ブ 抵 抗		
R151	RD357102	CARBON RESISTOR (CHIP)	10.0K 63M J RECT.	チ	ッ	ブ 抵 抗		
R204	RD355101	CARBON RESISTOR (CHIP)	100.0 63M J RECT.	チ	ッ	ブ 抵 抗		
R277	RD355101	CARBON RESISTOR (CHIP)	100.0 63M J RECT.	チ	ッ	ブ 抵 抗		
R305	RD355101	CARBON RESISTOR (CHIP)	100.0 63M J RECT.	チ	ッ	ブ 抵 抗		
R310	RD355101	CARBON RESISTOR (CHIP)	100.0 63M J RECT.	チ	ッ	ブ 抵 抗		
R315	RD355101	CARBON RESISTOR (CHIP)	100.0 63M J RECT.	チ	ッ	ブ 抵 抗		
R390	RD355101	CARBON RESISTOR (CHIP)	100.0 63M J RECT.	チ	ッ	ブ 抵 抗		
R400	RD355101	CARBON RESISTOR (CHIP)	100.0 63M J RECT.	チ	ッ	ブ 抵 抗		
R405	RD357102	CARBON RESISTOR (CHIP)	10.0K 63M J RECT.	チ	ッ	ブ 抵 抗		
R408	RD357102	CARBON RESISTOR (CHIP)	10.0K 63M J RECT.	チ	ッ	ブ 抵 抗		
R417	RD358102	CARBON RESISTOR (CHIP)	100.0K 63M J RECT.	チ	ッ	ブ 抵 抗		
R510	RD355472	CARBON RESISTOR (CHIP)	470.0 63M J RECT.	チ	ッ	ブ 抵 抗		
-514	RD355472	CARBON RESISTOR (CHIP)	470.0 63M J RECT.	チ	ッ	ブ 抵 抗		
R522	RD359102	CARBON RESISTOR (CHIP)	1.0M 63M J RECT.	チ	ッ	ブ 抵 抗		
R525	RD359102	CARBON RESISTOR (CHIP)	1.0M 63M J RECT.	チ	ッ	ブ 抵 抗		
R540	RD357102	CARBON RESISTOR (CHIP)	10.0K 63M J RECT.	チ	ッ	ブ 抵 抗		
R569	RD357102	CARBON RESISTOR (CHIP)	10.0K 63M J RECT.	チ	ッ	ブ 抵 抗		
R589	RD357102	CARBON RESISTOR (CHIP)	10.0K 63M J RECT.	チ	ッ	ブ 抵 抗		
-591	RD357102	CARBON RESISTOR (CHIP)	10.0K 63M J RECT.	チ	ッ	ブ 抵 抗		
R597	RD356472	CARBON RESISTOR (CHIP)	4.7K 63M J RECT.	チ	ッ	ブ 抵 抗		
R598	RD357102	CARBON RESISTOR (CHIP)	10.0K 63M J RECT.	チ	ッ	ブ 抵 抗		
R599	RD356472	CARBON RESISTOR (CHIP)	4.7K 63M J RECT.	チ	ッ	ブ 抵 抗		
R600	RD357102	CARBON RESISTOR (CHIP)	10.0K 63M J RECT.	チ	ッ	ブ 抵 抗		
-603	RD357102	CARBON RESISTOR (CHIP)	10.0K 63M J RECT.	チ	ッ	ブ 抵 抗		
R607	RD355472	CARBON RESISTOR (CHIP)	470.0 63M J RECT.	チ	ッ	ブ 抵 抗		
R610	RD356221	CARBON RESISTOR (CHIP)	2.2K 63M J RECT.	チ	ッ	ブ 抵 抗		
R611	RD357102	CARBON RESISTOR (CHIP)	10.0K 63M J RECT.	チ	ッ	ブ 抵 抗		
R612	RD356221	CARBON RESISTOR (CHIP)	2.2K 63M J RECT.	チ	ッ	ブ 抵 抗		
R614	RD354472	CARBON RESISTOR (CHIP)	47.0 63M J RECT.	チ	ッ	ブ 抵 抗		
R615	RD354472	CARBON RESISTOR (CHIP)	47.0 63M J RECT.	チ	ッ	ブ 抵 抗		
R618	RD354472	CARBON RESISTOR (CHIP)	47.0 63M J RECT.	チ	ッ	ブ 抵 抗		
R620	RD354472	CARBON RESISTOR (CHIP)	47.0 63M J RECT.	チ	ッ	ブ 抵 抗		
R623	RD357102	CARBON RESISTOR (CHIP)	10.0K 63M J RECT.	チ	ッ	ブ 抵 抗		
R624	RD355472	CARBON RESISTOR (CHIP)	470.0 63M J RECT.	チ	ッ	ブ 抵 抗		
R625	RD357102	CARBON RESISTOR (CHIP)	10.0K 63M J RECT.	チ	ッ	ブ 抵 抗		
R626	RD355472	CARBON RESISTOR (CHIP)	470.0 63M J RECT.	チ	ッ	ブ 抵 抗		
R627	RD357102	CARBON RESISTOR (CHIP)	10.0K 63M J RECT.	チ	ッ	ブ 抵 抗		
R628	RD355472	CARBON RESISTOR (CHIP)	470.0 63M J RECT.	チ	ッ	ブ 抵 抗		
*	ZR457800	CIRCUIT BOARD	LCD	L	C	D シ ー ト	EMX7 (YH216B0)	
C101	US035102	CERAMIC CAPACITOR (CHIP)	0.1000 16V K RECT.	チ	ッ	ブ セ ラ (B)	}	
-105	US035102	CERAMIC CAPACITOR (CHIP)	0.1000 16V K RECT.	チ	ッ	ブ セ ラ (B)		
C106	WG888301	MONOLITHIC CERAMIC CAP(CHIP)	10.0 6.3V K TP	チ	ッ	ブ 積 層 セ ラ コ ン		
C106	WP882001	CERAMIC CAPACITOR (CHIP)	10U 6.3V K RECT.	チ	ッ	ブ セ ラ		
C107	US035102	CERAMIC CAPACITOR (CHIP)	0.1000 16V K RECT.	チ	ッ	ブ セ ラ (B)		
C108	WN019701	CERAMIC CAPACITOR (CHIP)	2.200 16V K RECT.	チ	ッ	ブ セ ラ		
-111	WN019701	CERAMIC CAPACITOR (CHIP)	2.200 16V K RECT.	チ	ッ	ブ セ ラ		
C113	WN019701	CERAMIC CAPACITOR (CHIP)	2.200 16V K RECT.	チ	ッ	ブ セ ラ		
-117	WN019701	CERAMIC CAPACITOR (CHIP)	2.200 16V K RECT.	チ	ッ	ブ セ ラ		
C118	US035102	CERAMIC CAPACITOR (CHIP)	0.1000 16V K RECT.	チ	ッ	ブ セ ラ (B)		
CN101	VT619600	CONNECTOR	PH 10P SE	ベ	ー	ス 付 ボ ス ト		
CN102	--	FPC CONNECTOR	FHH 40P SE	F	P	C コ ネ ク	(ZN53200)	
R101	RD350003	CARBON RESISTOR (CHIP)	0 63M J RECT.	チ	ッ	ブ 抵 抗		
R103	RD350003	CARBON RESISTOR (CHIP)	0 63M J RECT.	チ	ッ	ブ 抵 抗		
-105	RD350003	CARBON RESISTOR (CHIP)	0 63M J RECT.	チ	ッ	ブ 抵 抗		
R106	RD357102	CARBON RESISTOR (CHIP)	10.0K 63M J RECT.	チ	ッ	ブ 抵 抗		
-110	RD357102	CARBON RESISTOR (CHIP)	10.0K 63M J RECT.	チ	ッ	ブ 抵 抗		
R111	RD350003	CARBON RESISTOR (CHIP)	0 63M J RECT.	チ	ッ	ブ 抵 抗		
R112	RD357102	CARBON RESISTOR (CHIP)	10.0K 63M J RECT.	チ	ッ	ブ 抵 抗		
R113	RD350003	CARBON RESISTOR (CHIP)	0 63M J RECT.	チ	ッ	ブ 抵 抗		
R114	RD357102	CARBON RESISTOR (CHIP)	10.0K 63M J RECT.	チ	ッ	ブ 抵 抗		
R115	RD357102	CARBON RESISTOR (CHIP)	10.0K 63M J RECT.	チ	ッ	ブ 抵 抗		
R116	RD350003	CARBON RESISTOR (CHIP)	0 63M J RECT.	チ	ッ	ブ 抵 抗		
R117	RD357102	CARBON RESISTOR (CHIP)	10.0K 63M J RECT.	チ	ッ	ブ 抵 抗		
R118	RD250001	CARBON RESISTOR (CHIP)	0.0 0.0 J RECT.	チ	ッ	ブ 抵 抗		

*: New Parts

LCD and MIX7

REF NO.	PART NO.	DESCRIPTION		部 品 名	REMARKS	QTY
R120	RD357102	CARBON RESISTOR (CHIP)	10.0K 63M J RECT.	チ ッ プ 抵 抗		
-123	RD357102	CARBON RESISTOR (CHIP)	10.0K 63M J RECT.	チ ッ プ 抵 抗		
R124	RD254221	CARBON RESISTOR (CHIP)	22.0 0.1 J RECT.	チ ッ プ 抵 抗		
R125	RD250001	CARBON RESISTOR (CHIP)	0.0 0.0 J RECT.	チ ッ プ 抵 抗		
*	ZR124900	CIRCUIT BOARD	MIX7	M I X 7 シ ー ト	EMX7 (YH162C0)	
CND01	WD961901	CONNECTOR	GSHD206 20P TE	メ ス ヘ ッ ダ ー		
CND02	WD961901	CONNECTOR	GSHD206 20P TE	メ ス ヘ ッ ダ ー		
CND03	VB390401	CONNECTOR	PH 8P TE	ベ ー ス ポ ス ト		
ECD01	WY041400	ROTARY ENCODER	XRE0126PVB30FINA1	ロ ー タ リ エ ン コ ー ダ	MENU/CONTROL	
ECD02	WY041400	ROTARY ENCODER	XRE0126PVB30FINA1	ロ ー タ リ エ ン コ ー ダ	PROGRAM	
JK101	WK387600	CANNON CONNECTOR	NCJ6FAV-0-Y	キ ャ ノ ン コ ネ ク タ	MIC/LINE(CH1)	
JK201	WK387600	CANNON CONNECTOR	NCJ6FAV-0-Y	キ ャ ノ ン コ ネ ク タ	MIC/LINE(CH2)	
JK301	WK387600	CANNON CONNECTOR	NCJ6FAV-0-Y	キ ャ ノ ン コ ネ ク タ	MIC/LINE(CH3)	
JK401	WK387600	CANNON CONNECTOR	NCJ6FAV-0-Y	キ ャ ノ ン コ ネ ク タ	MIC/LINE(CH4)	
JK501	WG848700	CANNON CONNECTOR	NC3FAAV2-0-Y	キ ャ ノ ン コ ネ ク タ	MIC(CH5/6)	
JK502	WH919000	PHONE CONNECTOR	ST MSJ-064-30B B	ホ ー ン コ ネ ク タ	LINE UNBAL 5 L/MONO	
JK503	WH919000	PHONE CONNECTOR	ST MSJ-064-30B B	ホ ー ン コ ネ ク タ	LINE UNBAL 6 R	
JK701	WG848700	CANNON CONNECTOR	NC3FAAV2-0-Y	キ ャ ノ ン コ ネ ク タ	MIC(CH7/8)	
JK702	WH919000	PHONE CONNECTOR	ST MSJ-064-30B B	ホ ー ン コ ネ ク タ	LINE UNBAL 7 L/MONO	
JK703	WH919000	PHONE CONNECTOR	ST MSJ-064-30B B	ホ ー ン コ ネ ク タ	LINE UNBAL 8 R	
JK901	WG848700	CANNON CONNECTOR	NC3FAAV2-0-Y	キ ャ ノ ン コ ネ ク タ	MIC(CH9/10)	
JKB01	WG848700	CANNON CONNECTOR	NC3FAAV2-0-Y	キ ャ ノ ン コ ネ ク タ	MIC(CH11/12)	
JKB02	WJ117400	MINIATURE JACK	MSJ-035-05A GR	ミ ニ ジ ャ ッ ク	INPUT 11/12	
KBD01	WH919000	PHONE CONNECTOR	ST MSJ-064-30B B	ホ ー ン コ ネ ク タ	FOOT SW FX MUTE	
KJS01	WH919000	PHONE CONNECTOR	ST MSJ-064-30B B	ホ ー ン コ ネ ク タ	STREO OUT L/MONO	
KJS02	WH919000	PHONE CONNECTOR	ST MSJ-064-30B B	ホ ー ン コ ネ ク タ	STREO OUT R	
KJU01	WH919000	PHONE CONNECTOR	ST MSJ-064-30B B	ホ ー ン コ ネ ク タ	AUX1 SEND	
KJU02	WH919000	PHONE CONNECTOR	ST MSJ-064-30B B	ホ ー ン コ ネ ク タ	AUX2 SEND	
K1	--	GROUND ANGLE	H245	グ ラ ン ド 金 具 H 2 4 5	(ZT23740)	
K2	--	GROUND ANGLE	H245	グ ラ ン ド 金 具 H 2 4 5	(ZT23740)	
KC01	--	GROUND ANGLE	SUM	グ ラ ン ド 金 具 S U M	(ZT23930)	
KD1	--	GROUND ANGLE	SUM	グ ラ ン ド 金 具 S U M	(ZT23930)	
LDD01	WJ491500	LED YELLOW	HFY803037P-50-B	L E D	} FEEDBACK SUPPRESSOR	
LDD01	ZF091300	LED YELLOW	HFY803037P/02-50-B	L E D		
LDD02	V979060R	LED RED	HFR203TP-1-00	L E D	} PHANTOM +48V } FX ON	
LDD04	WJ491500	LED YELLOW	HFY803037P-50-B	L E D		
LDD04	ZF091300	LED YELLOW	HFY803037P/02-50-B	L E D		
LDM01	WF715500	LED LEVEL METER	HE24RYGVB	L E D レ ベ ル メ ー タ ー	Level meter -30dB-PEAK	
LDSB1	V979060R	LED RED	HFR203TP-1-00	L E D	STANDBY CH1-7/8 MUTE	
PJ902	V9812801	PIN CONNECTOR	4P MSP-247H1-01 NI	ピ ン コ ネ ク タ 4 P	LINE UNBAL 9-12 L/R	
PJS01	WC29570R	PIN CONNECTOR	2P MSP-532HV1-01 NI	ピ ン コ ネ ク タ 2 P	REC OUT L/R	
SW102	WH918702	PUSH SWITCH	PS-22E85L-02	プ ッ シ ュ S W	MIC/LINE(CH1)	
SW103	WH918702	PUSH SWITCH	PS-22E85L-02	プ ッ シ ュ S W	HPF(CH1)	
SW202	WH918702	PUSH SWITCH	PS-22E85L-02	プ ッ シ ュ S W	MIC/LINE(CH2)	
SW203	WH918702	PUSH SWITCH	PS-22E85L-02	プ ッ シ ュ S W	HPF(CH2)	
SW302	WH918702	PUSH SWITCH	PS-22E85L-02	プ ッ シ ュ S W	MIC/LINE(CH3)	
SW303	WH918702	PUSH SWITCH	PS-22E85L-02	プ ッ シ ュ S W	HPF(CH3)	
SW401	WH918800	PUSH SWITCH	PS-22E85L-02	プ ッ シ ュ S W	Hi-Z(CH4)	
SW402	WH918702	PUSH SWITCH	PS-22E85L-02	プ ッ シ ュ S W	MIC/LINE(CH4)	
SWD01	WH918702	PUSH SWITCH	PS-22E85L-02	プ ッ シ ュ S W	FEEDBACK SUPPRESSOR	
SWD02	WH918702	PUSH SWITCH	PS-22E85L-02	プ ッ シ ュ S W	PHANTOM +48V	
SWD03	WH918800	PUSH SWITCH	PS-22E85L-02	プ ッ シ ュ S W	FX ON(FX RTN)	
SWD04	WH926200	PUSH SWITCH	PS-22E85NL-02	プ ッ シ ュ S W	GEQ ACCESS(STREO)	
SWD05	WH926200	PUSH SWITCH	PS-22E85NL-02	プ ッ シ ュ S W	GEQ ACCESS(AUX2)	
SWD06	WH926200	PUSH SWITCH	PS-22E85NL-02	プ ッ シ ュ S W	GEQ ACCESS(AUX1)	
SWM01	WH918702	PUSH SWITCH	PS-22E85L-02	プ ッ シ ュ S W	Level meter switch	
SWSB1	WH918702	PUSH SWITCH	PS-22E85L-02	プ ッ シ ュ S W	STANDBY CH1-7/8 MUTE	
VR101	WY605500	VR DUAL UNIT ROTARY	B 50.0K XV012323YG	2 連 ロ ー タ リ ー V R	} COMP(CH1)	
VR101	WZ034900	VR DUAL UNIT ROTARY	B 50.0K RK12L12700	2 連 ロ ー タ リ ー V R		
VR102	WY190800	VR ROTARY	1BP 50.0K XV09223Y	ロ ー タ リ ー V R	Equalizer LOW(CH1)	
VR103	WY190800	VR ROTARY	1BP 50.0K XV09223Y	ロ ー タ リ ー V R	Equalizer MID(CH1)	
VR104	WY190800	VR ROTARY	1BP 50.0K XV09223Y	ロ ー タ リ ー V R	Equalizer HIGH(CH1)	
VR105	WY605900	VR ROTARY	A 20.0K XV09223YNP	ロ ー タ リ ー V R	} LEVEL(CH1)	
VR105	WZ033800	VR ROTARY	A 20.0K RK09D11700	ロ ー タ リ ー V R		
VR106	WY605900	VR ROTARY	A 20.0K XV09223YNP	ロ ー タ リ ー V R	} AUX1(CH1)	
VR106	WZ033800	VR ROTARY	A 20.0K RK09D11700	ロ ー タ リ ー V R		
VR107	WY190900	VR ROTARY	B 20.0K XV09223YNP	ロ ー タ リ ー V R	} AUX2/FX(CH1)	
VR107	WZ034000	VR ROTARY	B 20.0K RK09D11700	ロ ー タ リ ー V R		
VR201	WY605500	VR DUAL UNIT ROTARY	B 50.0K XV012323YG	2 連 ロ ー タ リ ー V R	} COMP(CH2)	

*: New Parts

MIX7

REF NO.	PART NO.	DESCRIPTION		部 品 名	REMARKS	QTY
VR201	WZ034900	VR DUAL UNIT ROTARY	B 50.0K RK12L12700	2 連 □ - タ リ - V R	} Equalizer LOW(CH2)	
VR202	WY190800	VR ROTARY	1BP 50.0K XV09223Y	□ - タ リ - V R		
VR203	WY190800	VR ROTARY	1BP 50.0K XV09223Y	□ - タ リ - V R		
VR204	WY190800	VR ROTARY	1BP 50.0K XV09223Y	□ - タ リ - V R		
VR205	WY605900	VR ROTARY	A 20.0K XV09223YNP	□ - タ リ - V R		
VR205	WZ033800	VR ROTARY	A 20.0K RK09D11700	□ - タ リ - V R	} AUX1(CH2)	
VR206	WY605900	VR ROTARY	A 20.0K XV09223YNP	□ - タ リ - V R		
VR206	WZ033800	VR ROTARY	A 20.0K RK09D11700	□ - タ リ - V R	} AUX2/FX(CH2)	
VR207	WY190900	VR ROTARY	B 20.0K XV09223YNP	□ - タ リ - V R		
VR207	WZ034000	VR ROTARY	B 20.0K RK09D11700	□ - タ リ - V R		
VR301	WY605500	VR DUAL UNIT ROTARY	B 50.0K XV012323YG	2 連 □ - タ リ - V R	} COMP(CH3)	
VR301	WZ034900	VR DUAL UNIT ROTARY	B 50.0K RK12L12700	2 連 □ - タ リ - V R		
VR302	WY190800	VR ROTARY	1BP 50.0K XV09223Y	□ - タ リ - V R	} Equalizer LOW(CH3)	
VR303	WY190800	VR ROTARY	1BP 50.0K XV09223Y	□ - タ リ - V R		
VR304	WY190800	VR ROTARY	1BP 50.0K XV09223Y	□ - タ リ - V R		
VR305	WY605900	VR ROTARY	A 20.0K XV09223YNP	□ - タ リ - V R	} LEVEL(CH3)	
VR305	WZ033800	VR ROTARY	A 20.0K RK09D11700	□ - タ リ - V R		
VR306	WY605900	VR ROTARY	A 20.0K XV09223YNP	□ - タ リ - V R	} AUX1(CH3)	
VR306	WZ033800	VR ROTARY	A 20.0K RK09D11700	□ - タ リ - V R		
VR307	WY190900	VR ROTARY	B 20.0K XV09223YNP	□ - タ リ - V R	} AUX2/FX(CH3)	
VR307	WZ034000	VR ROTARY	B 20.0K RK09D11700	□ - タ リ - V R		
VR401	WY605500	VR DUAL UNIT ROTARY	B 50.0K XV012323YG	2 連 □ - タ リ - V R	} COMP(CH4)	
VR401	WZ034900	VR DUAL UNIT ROTARY	B 50.0K RK12L12700	2 連 □ - タ リ - V R		
VR402	WY190800	VR ROTARY	1BP 50.0K XV09223Y	□ - タ リ - V R	} Equalizer LOW(CH4)	
VR403	WY190800	VR ROTARY	1BP 50.0K XV09223Y	□ - タ リ - V R		
VR404	WY190800	VR ROTARY	1BP 50.0K XV09223Y	□ - タ リ - V R	} Equalizer HIGH(CH4)	
VR405	WY605900	VR ROTARY	A 20.0K XV09223YNP	□ - タ リ - V R		
VR405	WZ033800	VR ROTARY	A 20.0K RK09D11700	□ - タ リ - V R	} LEVEL(CH4)	
VR406	WY605900	VR ROTARY	A 20.0K XV09223YNP	□ - タ リ - V R		
VR406	WZ033800	VR ROTARY	A 20.0K RK09D11700	□ - タ リ - V R	} AUX1(CH4)	
VR407	WY190900	VR ROTARY	B 20.0K XV09223YNP	□ - タ リ - V R		
VR407	WZ034000	VR ROTARY	B 20.0K RK09D11700	□ - タ リ - V R	} AUX2/FX(CH4)	
VR502	WY192100	VR DUAL UNIT ROTARY	1BP 50.0K XV012323	2 連 □ - タ リ - V R		
VR503	WY192100	VR DUAL UNIT ROTARY	1BP 50.0K XV012323	2 連 □ - タ リ - V R	} Equalizer LOW(CH5/6)	
VR504	WY192100	VR DUAL UNIT ROTARY	1BP 50.0K XV012323	2 連 □ - タ リ - V R		
VR504	WY192100	VR DUAL UNIT ROTARY	1BP 50.0K XV012323	2 連 □ - タ リ - V R	} Equalizer MID(CH5/6)	
VR505	WY191100	VR DUAL UNIT ROTARY	A 20.0K XV012323YG	2 連 □ - タ リ - V R		
VR505	WZ034500	VR DUAL UNIT ROTARY	A 20.0K RK12L12H00	2 連 □ - タ リ - V R	} LEVEL(CH5/6)	
VR506	WY605900	VR ROTARY	A 20.0K XV09223YNP	□ - タ リ - V R		
VR506	WZ033800	VR ROTARY	A 20.0K RK09D11700	□ - タ リ - V R	} AUX1(CH5/6)	
VR507	WY190900	VR ROTARY	B 20.0K XV09223YNP	□ - タ リ - V R		
VR507	WZ034000	VR ROTARY	B 20.0K RK09D11700	□ - タ リ - V R	} AUX2/FX(CH5/6)	
VR702	WY192100	VR DUAL UNIT ROTARY	1BP 50.0K XV012323	2 連 □ - タ リ - V R		
VR703	WY192100	VR DUAL UNIT ROTARY	1BP 50.0K XV012323	2 連 □ - タ リ - V R	} Equalizer LOW(CH7/8)	
VR704	WY192100	VR DUAL UNIT ROTARY	1BP 50.0K XV012323	2 連 □ - タ リ - V R		
VR705	WY191100	VR DUAL UNIT ROTARY	A 20.0K XV012323YG	2 連 □ - タ リ - V R	} Equalizer MID(CH7/8)	
VR705	WZ034500	VR DUAL UNIT ROTARY	A 20.0K RK12L12H00	2 連 □ - タ リ - V R		
VR706	WY605900	VR ROTARY	A 20.0K XV09223YNP	□ - タ リ - V R	} LEVEL(CH7/8)	
VR706	WZ033800	VR ROTARY	A 20.0K RK09D11700	□ - タ リ - V R		
VR707	WY190900	VR ROTARY	B 20.0K XV09223YNP	□ - タ リ - V R	} AUX1(CH7/8)	
VR707	WZ034000	VR ROTARY	B 20.0K RK09D11700	□ - タ リ - V R		
VR707	WZ034000	VR ROTARY	B 20.0K RK09D11700	□ - タ リ - V R	} AUX2/FX(CH7/8)	
VR902	WY192100	VR DUAL UNIT ROTARY	1BP 50.0K XV012323	2 連 □ - タ リ - V R		
VR903	WY192100	VR DUAL UNIT ROTARY	1BP 50.0K XV012323	2 連 □ - タ リ - V R	} Equalizer LOW(CH9/10)	
VR904	WY192100	VR DUAL UNIT ROTARY	1BP 50.0K XV012323	2 連 □ - タ リ - V R		
VR905	WY191100	VR DUAL UNIT ROTARY	A 20.0K XV012323YG	2 連 □ - タ リ - V R	} Equalizer MID(CH9/10)	
VR905	WZ034500	VR DUAL UNIT ROTARY	A 20.0K RK12L12H00	2 連 □ - タ リ - V R		
VR906	WY605900	VR ROTARY	A 20.0K XV09223YNP	□ - タ リ - V R	} LEVEL(CH9/10)	
VR906	WZ033800	VR ROTARY	A 20.0K RK09D11700	□ - タ リ - V R		
VR907	WY190900	VR ROTARY	B 20.0K XV09223YNP	□ - タ リ - V R	} AUX1(CH9/10)	
VR907	WZ034000	VR ROTARY	B 20.0K RK09D11700	□ - タ リ - V R		
VRB02	WY192100	VR DUAL UNIT ROTARY	1BP 50.0K XV012323	2 連 □ - タ リ - V R	} AUX2/FX(CH9/10)	
VRB03	WY192100	VR DUAL UNIT ROTARY	1BP 50.0K XV012323	2 連 □ - タ リ - V R		
VRB04	WY192100	VR DUAL UNIT ROTARY	1BP 50.0K XV012323	2 連 □ - タ リ - V R	} Equalizer LOW(CH11/12)	
VRB05	WY191100	VR DUAL UNIT ROTARY	A 20.0K XV012323YG	2 連 □ - タ リ - V R		
VRB05	WZ034500	VR DUAL UNIT ROTARY	A 20.0K RK12L12H00	2 連 □ - タ リ - V R	} Equalizer MID(CH11/12)	
VRB06	WY605900	VR ROTARY	A 20.0K XV09223YNP	□ - タ リ - V R		
VRB06	WZ033800	VR ROTARY	A 20.0K RK09D11700	□ - タ リ - V R	} Equalizer HIGH(CH11/12)	
VRB07	WY190900	VR ROTARY	B 20.0K XV09223YNP	□ - タ リ - V R		
VRB07	WZ034000	VR ROTARY	B 20.0K RK09D11700	□ - タ リ - V R	} LEVEL(CH11/12)	
VRD01	WY191100	VR DUAL UNIT ROTARY	A 20.0K XV012323YG	2 連 □ - タ リ - V R		
VRD01	WZ034500	VR DUAL UNIT ROTARY	A 20.0K RK12L12H00	2 連 □ - タ リ - V R	} LEVEL(FX RTN)	

*: New Parts

MIX7

REF NO.	PART NO.	DESCRIPTION		部 品 名	REMARKS	QTY
VRD02	WY605900	VR ROTARY	A 20.0K XV09223YNP	ロ - タ リ - V R	AUX1(FX RTN) PARAMETER MASTER LEVEL(STREO)	
VRD02	WZ033800	VR ROTARY	A 20.0K RK09D11700	ロ - タ リ - V R		
VRD03	WY190900	VR ROTARY	B 20.0K XV09223YNP	ロ - タ リ - V R		
VRD03	WZ034000	VR ROTARY	B 20.0K RK09D11700	ロ - タ リ - V R		
VRD04	WY190900	VR ROTARY	B 20.0K XV09223YNP	ロ - タ リ - V R		
VRD04	WZ034000	VR ROTARY	B 20.0K RK09D11700	ロ - タ リ - V R		
VRD05	WY190900	VR ROTARY	B 20.0K XV09223YNP	ロ - タ リ - V R	MASTER LEVEL(AUX1)	
VRD05	WZ034000	VR ROTARY	B 20.0K RK09D11700	ロ - タ リ - V R		
VRD06	WY190900	VR ROTARY	B 20.0K XV09223YNP	ロ - タ リ - V R	MASTER LEVEL(AUX2)	
VRD06	WZ034000	VR ROTARY	B 20.0K RK09D11700	ロ - タ リ - V R		
C125	US061121	CERAMIC CAPACITOR (CHIP)	12P 50V J RECT.	チ ッ プ セ ラ (C H)		
C127	US062271	CERAMIC CAPACITOR (CHIP)	270P 50V J RECT.	チ ッ プ セ ラ (S L)		
C129	US061121	CERAMIC CAPACITOR (CHIP)	12P 50V J RECT.	チ ッ プ セ ラ (C H)		
C133	US061471	CERAMIC CAPACITOR (CHIP)	47P 50V J RECT.	チ ッ プ セ ラ (C H)		
C142	US064103	CERAMIC CAPACITOR (CHIP)	0.0100 50V K RECT.	チ ッ プ セ ラ (B)		
C143	US064103	CERAMIC CAPACITOR (CHIP)	0.0100 50V K RECT.	チ ッ プ セ ラ (B)		
C145	US064103	CERAMIC CAPACITOR (CHIP)	0.0100 50V K RECT.	チ ッ プ セ ラ (B)		
-148	US064103	CERAMIC CAPACITOR (CHIP)	0.0100 50V K RECT.	チ ッ プ セ ラ (B)		
C155	US061681	CERAMIC CAPACITOR (CHIP)	68P 50V J RECT.	チ ッ プ セ ラ (S L)		
C157	US064103	CERAMIC CAPACITOR (CHIP)	0.0100 50V K RECT.	チ ッ プ セ ラ (B)		
C158	US064103	CERAMIC CAPACITOR (CHIP)	0.0100 50V K RECT.	チ ッ プ セ ラ (B)		
C166	US061471	CERAMIC CAPACITOR (CHIP)	47P 50V J RECT.	チ ッ プ セ ラ (C H)		
C167	US061471	CERAMIC CAPACITOR (CHIP)	47P 50V J RECT.	チ ッ プ セ ラ (C H)		
C171	US064103	CERAMIC CAPACITOR (CHIP)	0.0100 50V K RECT.	チ ッ プ セ ラ (B)		
C172	US064103	CERAMIC CAPACITOR (CHIP)	0.0100 50V K RECT.	チ ッ プ セ ラ (B)		
C174	US064103	CERAMIC CAPACITOR (CHIP)	0.0100 50V K RECT.	チ ッ プ セ ラ (B)		
C175	US064103	CERAMIC CAPACITOR (CHIP)	0.0100 50V K RECT.	チ ッ プ セ ラ (B)		
C182	US062102	CERAMIC CAPACITOR (CHIP)	100P 50V J RECT.	チ ッ プ セ ラ (S L)		
C183	US061471	CERAMIC CAPACITOR (CHIP)	47P 50V J RECT.	チ ッ プ セ ラ (C H)		
C185	US064103	CERAMIC CAPACITOR (CHIP)	0.0100 50V K RECT.	チ ッ プ セ ラ (B)		
C186	US064103	CERAMIC CAPACITOR (CHIP)	0.0100 50V K RECT.	チ ッ プ セ ラ (B)		
C225	US061121	CERAMIC CAPACITOR (CHIP)	12P 50V J RECT.	チ ッ プ セ ラ (C H)		
C227	US062271	CERAMIC CAPACITOR (CHIP)	270P 50V J RECT.	チ ッ プ セ ラ (S L)		
C229	US061121	CERAMIC CAPACITOR (CHIP)	12P 50V J RECT.	チ ッ プ セ ラ (C H)		
C233	US061471	CERAMIC CAPACITOR (CHIP)	47P 50V J RECT.	チ ッ プ セ ラ (C H)		
C239	US064103	CERAMIC CAPACITOR (CHIP)	0.0100 50V K RECT.	チ ッ プ セ ラ (B)		
C240	US064103	CERAMIC CAPACITOR (CHIP)	0.0100 50V K RECT.	チ ッ プ セ ラ (B)		
C247	US064103	CERAMIC CAPACITOR (CHIP)	0.0100 50V K RECT.	チ ッ プ セ ラ (B)		
C248	US064103	CERAMIC CAPACITOR (CHIP)	0.0100 50V K RECT.	チ ッ プ セ ラ (B)		
C255	US061681	CERAMIC CAPACITOR (CHIP)	68P 50V J RECT.	チ ッ プ セ ラ (S L)		
C256	US061151	CERAMIC CAPACITOR (CHIP)	15P 50V J RECT.	チ ッ プ セ ラ (C H)		
C266	US061471	CERAMIC CAPACITOR (CHIP)	47P 50V J RECT.	チ ッ プ セ ラ (C H)		
C267	US061471	CERAMIC CAPACITOR (CHIP)	47P 50V J RECT.	チ ッ プ セ ラ (C H)		
C282	US062102	CERAMIC CAPACITOR (CHIP)	100P 50V J RECT.	チ ッ プ セ ラ (S L)		
C283	US061471	CERAMIC CAPACITOR (CHIP)	47P 50V J RECT.	チ ッ プ セ ラ (C H)		
C325	US061121	CERAMIC CAPACITOR (CHIP)	12P 50V J RECT.	チ ッ プ セ ラ (C H)		
C327	US062271	CERAMIC CAPACITOR (CHIP)	270P 50V J RECT.	チ ッ プ セ ラ (S L)		
C329	US061121	CERAMIC CAPACITOR (CHIP)	12P 50V J RECT.	チ ッ プ セ ラ (C H)		
C342	US064103	CERAMIC CAPACITOR (CHIP)	0.0100 50V K RECT.	チ ッ プ セ ラ (B)		
C343	US064103	CERAMIC CAPACITOR (CHIP)	0.0100 50V K RECT.	チ ッ プ セ ラ (B)		
C345	US064103	CERAMIC CAPACITOR (CHIP)	0.0100 50V K RECT.	チ ッ プ セ ラ (B)		
-348	US064103	CERAMIC CAPACITOR (CHIP)	0.0100 50V K RECT.	チ ッ プ セ ラ (B)		
C355	US061681	CERAMIC CAPACITOR (CHIP)	68P 50V J RECT.	チ ッ プ セ ラ (S L)		
C356	US061151	CERAMIC CAPACITOR (CHIP)	15P 50V J RECT.	チ ッ プ セ ラ (C H)		
C357	US064103	CERAMIC CAPACITOR (CHIP)	0.0100 50V K RECT.	チ ッ プ セ ラ (B)		
C358	US064103	CERAMIC CAPACITOR (CHIP)	0.0100 50V K RECT.	チ ッ プ セ ラ (B)		
C366	US061471	CERAMIC CAPACITOR (CHIP)	47P 50V J RECT.	チ ッ プ セ ラ (C H)		
C367	US061471	CERAMIC CAPACITOR (CHIP)	47P 50V J RECT.	チ ッ プ セ ラ (C H)		
C371	US064103	CERAMIC CAPACITOR (CHIP)	0.0100 50V K RECT.	チ ッ プ セ ラ (B)		
C372	US064103	CERAMIC CAPACITOR (CHIP)	0.0100 50V K RECT.	チ ッ プ セ ラ (B)		
C374	US064103	CERAMIC CAPACITOR (CHIP)	0.0100 50V K RECT.	チ ッ プ セ ラ (B)		
C375	US064103	CERAMIC CAPACITOR (CHIP)	0.0100 50V K RECT.	チ ッ プ セ ラ (B)		
C382	US062102	CERAMIC CAPACITOR (CHIP)	100P 50V J RECT.	チ ッ プ セ ラ (S L)		
C383	US061471	CERAMIC CAPACITOR (CHIP)	47P 50V J RECT.	チ ッ プ セ ラ (C H)		
C385	US064103	CERAMIC CAPACITOR (CHIP)	0.0100 50V K RECT.	チ ッ プ セ ラ (B)		
C386	US064103	CERAMIC CAPACITOR (CHIP)	0.0100 50V K RECT.	チ ッ プ セ ラ (B)		
C414	US061121	CERAMIC CAPACITOR (CHIP)	12P 50V J RECT.	チ ッ プ セ ラ (C H)		
C415	US061471	CERAMIC CAPACITOR (CHIP)	47P 50V J RECT.	チ ッ プ セ ラ (C H)		
C425	US061121	CERAMIC CAPACITOR (CHIP)	12P 50V J RECT.	チ ッ プ セ ラ (C H)		
C427	US062271	CERAMIC CAPACITOR (CHIP)	270P 50V J RECT.	チ ッ プ セ ラ (S L)		

*: New Parts

MIX7

REF NO.	PART NO.	DESCRIPTION	部 品 名	REMARKS	QTY
CA43	US061471	CERAMIC CAPACITOR (CHIP)	47P 50V J RECT.	チップセラ (C H)	
CA66	US061471	CERAMIC CAPACITOR (CHIP)	47P 50V J RECT.	チップセラ (C H)	
CA67	US061471	CERAMIC CAPACITOR (CHIP)	47P 50V J RECT.	チップセラ (C H)	
CA82	US062102	CERAMIC CAPACITOR (CHIP)	100P 50V J RECT.	チップセラ (S L)	
CA83	US061471	CERAMIC CAPACITOR (CHIP)	47P 50V J RECT.	チップセラ (C H)	
CB25	US060500	CERAMIC CAPACITOR (CHIP)	5P 50V C RECT.	チップセラ (C H)	
CB27	US062271	CERAMIC CAPACITOR (CHIP)	270P 50V J RECT.	チップセラ (S L)	
CB28	US060500	CERAMIC CAPACITOR (CHIP)	5P 50V C RECT.	チップセラ (C H)	
CB35	US064103	CERAMIC CAPACITOR (CHIP)	0.0100 50V K RECT.	チップセラ (B)	
CB36	US064103	CERAMIC CAPACITOR (CHIP)	0.0100 50V K RECT.	チップセラ (B)	
CB42	US062102	CERAMIC CAPACITOR (CHIP)	100P 50V J RECT.	チップセラ (S L)	
CB43	US061471	CERAMIC CAPACITOR (CHIP)	47P 50V J RECT.	チップセラ (C H)	
CB66	US061471	CERAMIC CAPACITOR (CHIP)	47P 50V J RECT.	チップセラ (C H)	
CB67	US061471	CERAMIC CAPACITOR (CHIP)	47P 50V J RECT.	チップセラ (C H)	
CB70	US064103	CERAMIC CAPACITOR (CHIP)	0.0100 50V K RECT.	チップセラ (B)	
CB75	US064103	CERAMIC CAPACITOR (CHIP)	0.0100 50V K RECT.	チップセラ (B)	
CB76	US064103	CERAMIC CAPACITOR (CHIP)	0.0100 50V K RECT.	チップセラ (B)	
CB79	US064103	CERAMIC CAPACITOR (CHIP)	0.0100 50V K RECT.	チップセラ (B)	
CB80	US064103	CERAMIC CAPACITOR (CHIP)	0.0100 50V K RECT.	チップセラ (B)	
CB82	US062102	CERAMIC CAPACITOR (CHIP)	100P 50V J RECT.	チップセラ (S L)	
CB83	US061471	CERAMIC CAPACITOR (CHIP)	47P 50V J RECT.	チップセラ (C H)	
CC42	US062102	CERAMIC CAPACITOR (CHIP)	100P 50V J RECT.	チップセラ (S L)	
CC43	US061471	CERAMIC CAPACITOR (CHIP)	47P 50V J RECT.	チップセラ (C H)	
CC66	US061471	CERAMIC CAPACITOR (CHIP)	47P 50V J RECT.	チップセラ (C H)	
CC67	US061471	CERAMIC CAPACITOR (CHIP)	47P 50V J RECT.	チップセラ (C H)	
CC82	US062102	CERAMIC CAPACITOR (CHIP)	100P 50V J RECT.	チップセラ (S L)	
CC83	US061471	CERAMIC CAPACITOR (CHIP)	47P 50V J RECT.	チップセラ (C H)	
CD03	US064103	CERAMIC CAPACITOR (CHIP)	0.0100 50V K RECT.	チップセラ (B)	
CD04	US064103	CERAMIC CAPACITOR (CHIP)	0.0100 50V K RECT.	チップセラ (B)	
CD11	US064103	CERAMIC CAPACITOR (CHIP)	0.0100 50V K RECT.	チップセラ (B)	
CD12	WK716800	MONOLITHIC CERAMIC CAP(CHIP)	10.0 6.3V M TP	チップ積層セラコン	
CD19	US035102	CERAMIC CAPACITOR (CHIP)	0.1000 16V K RECT.	チップセラ (B)	
CD20	WK716800	MONOLITHIC CERAMIC CAP(CHIP)	10.0 6.3V M TP	チップ積層セラコン	
CM03	WN110600	MONOLITHIC CERAMIC CAP(CHIP)	4.700 25V K KAKUTE	チップ積層セラコン	
CM04	WN110600	MONOLITHIC CERAMIC CAP(CHIP)	4.700 25V K KAKUTE	チップ積層セラコン	
CM05	US064103	CERAMIC CAPACITOR (CHIP)	0.0100 50V K RECT.	チップセラ (B)	
CM06	US064103	CERAMIC CAPACITOR (CHIP)	0.0100 50V K RECT.	チップセラ (B)	
CM11	US064103	CERAMIC CAPACITOR (CHIP)	0.0100 50V K RECT.	チップセラ (B)	
-22	US064103	CERAMIC CAPACITOR (CHIP)	0.0100 50V K RECT.	チップセラ (B)	
CP01	US064103	CERAMIC CAPACITOR (CHIP)	0.0100 50V K RECT.	チップセラ (B)	
CP03	US064103	CERAMIC CAPACITOR (CHIP)	0.0100 50V K RECT.	チップセラ (B)	
CP05	US064103	CERAMIC CAPACITOR (CHIP)	0.0100 50V K RECT.	チップセラ (B)	
CP07	WK716800	MONOLITHIC CERAMIC CAP(CHIP)	10.0 6.3V M TP	チップ積層セラコン	
CP08	US035102	CERAMIC CAPACITOR (CHIP)	0.1000 16V K RECT.	チップセラ (B)	
CP09	US035102	CERAMIC CAPACITOR (CHIP)	0.1000 16V K RECT.	チップセラ (B)	
CP10	WK716800	MONOLITHIC CERAMIC CAP(CHIP)	10.0 6.3V M TP	チップ積層セラコン	
CS01	US062271	CERAMIC CAPACITOR (CHIP)	270P 50V J RECT.	チップセラ (S L)	
-04	US062271	CERAMIC CAPACITOR (CHIP)	270P 50V J RECT.	チップセラ (S L)	
CS05	US061471	CERAMIC CAPACITOR (CHIP)	47P 50V J RECT.	チップセラ (C H)	
-08	US061471	CERAMIC CAPACITOR (CHIP)	47P 50V J RECT.	チップセラ (C H)	
CS11	WU188700	CERAMIC CAPACITOR (CHIP)	1000P 50V J KAKUTE	チップセラ	
CS12	WU188700	CERAMIC CAPACITOR (CHIP)	1000P 50V J KAKUTE	チップセラ	
CS13	US062102	CERAMIC CAPACITOR (CHIP)	100P 50V J RECT.	チップセラ (S L)	
CS14	US062102	CERAMIC CAPACITOR (CHIP)	100P 50V J RECT.	チップセラ (S L)	
CS21	US064103	CERAMIC CAPACITOR (CHIP)	0.0100 50V K RECT.	チップセラ (B)	
-26	US064103	CERAMIC CAPACITOR (CHIP)	0.0100 50V K RECT.	チップセラ (B)	
CS45	US062102	CERAMIC CAPACITOR (CHIP)	100P 50V J RECT.	チップセラ (S L)	
CS46	US062102	CERAMIC CAPACITOR (CHIP)	100P 50V J RECT.	チップセラ (S L)	
CS47	US061471	CERAMIC CAPACITOR (CHIP)	47P 50V J RECT.	チップセラ (C H)	
CS48	US061471	CERAMIC CAPACITOR (CHIP)	47P 50V J RECT.	チップセラ (C H)	
CS49	US064103	CERAMIC CAPACITOR (CHIP)	0.0100 50V K RECT.	チップセラ (B)	
CS50	US064103	CERAMIC CAPACITOR (CHIP)	0.0100 50V K RECT.	チップセラ (B)	
CU01	US062271	CERAMIC CAPACITOR (CHIP)	270P 50V J RECT.	チップセラ (S L)	
-03	US062271	CERAMIC CAPACITOR (CHIP)	270P 50V J RECT.	チップセラ (S L)	
CU05	US061151	CERAMIC CAPACITOR (CHIP)	15P 50V J RECT.	チップセラ (C H)	
CU06	US061222	CERAMIC CAPACITOR (CHIP)	22P 50V J RECT.	チップセラ (C H)	
CU07	US061151	CERAMIC CAPACITOR (CHIP)	15P 50V J RECT.	チップセラ (C H)	
CU11	WU188700	CERAMIC CAPACITOR (CHIP)	1000P 50V J KAKUTE	チップセラ	
CU12	WU188700	CERAMIC CAPACITOR (CHIP)	1000P 50V J KAKUTE	チップセラ	
CU13	US062102	CERAMIC CAPACITOR (CHIP)	100P 50V J RECT.	チップセラ (S L)	

*: New Parts

MIX7

REF NO.	PART NO.	DESCRIPTION	部 品 名	REMARKS	QTY
CU14	US062102	CERAMIC CAPACITOR (CHIP)	100P 50V J RECT.	チ ッ プ セ ラ (S L)	
CU21	US064103	CERAMIC CAPACITOR (CHIP)	0.0100 50V K RECT.	チ ッ プ セ ラ (B)	
-25	US064103	CERAMIC CAPACITOR (CHIP)	0.0100 50V K RECT.	チ ッ プ セ ラ (B)	
CU27	US064103	CERAMIC CAPACITOR (CHIP)	0.0100 50V K RECT.	チ ッ プ セ ラ (B)	
CU43	US062102	CERAMIC CAPACITOR (CHIP)	100P 50V J RECT.	チ ッ プ セ ラ (S L)	
CU44	US062102	CERAMIC CAPACITOR (CHIP)	100P 50V J RECT.	チ ッ プ セ ラ (S L)	
CU45	US061471	CERAMIC CAPACITOR (CHIP)	47P 50V J RECT.	チ ッ プ セ ラ (C H)	
CU46	US061471	CERAMIC CAPACITOR (CHIP)	47P 50V J RECT.	チ ッ プ セ ラ (C H)	
CU49	US064103	CERAMIC CAPACITOR (CHIP)	0.0100 50V K RECT.	チ ッ プ セ ラ (B)	
CU50	US064103	CERAMIC CAPACITOR (CHIP)	0.0100 50V K RECT.	チ ッ プ セ ラ (B)	
D105	VT332901	DIODE	1SS355 TE-17 TP	ダ イ オ ー ド	
D106	VT332901	DIODE	1SS355 TE-17 TP	ダ イ オ ー ド	
D205	VT332901	DIODE	1SS355 TE-17 TP	ダ イ オ ー ド	
D206	VT332901	DIODE	1SS355 TE-17 TP	ダ イ オ ー ド	
D305	VT332901	DIODE	1SS355 TE-17 TP	ダ イ オ ー ド	
D306	VT332901	DIODE	1SS355 TE-17 TP	ダ イ オ ー ド	
D405	VT332901	DIODE	1SS355 TE-17 TP	ダ イ オ ー ド	
D406	VT332901	DIODE	1SS355 TE-17 TP	ダ イ オ ー ド	
D506	VT332901	DIODE	1SS355 TE-17 TP	ダ イ オ ー ド	
D706	VT332901	DIODE	1SS355 TE-17 TP	ダ イ オ ー ド	
D906	VT332901	DIODE	1SS355 TE-17 TP	ダ イ オ ー ド	
DA101	VD30390R	DIODE ARRAY	1SS226(TE85R,F)	ダ イ オ ー ド ア レ イ	
-104	VD30390R	DIODE ARRAY	1SS226(TE85R,F)	ダ イ オ ー ド ア レ イ	
DA101	VV556301	DIODE ARRAY	DAN217 0.3A X2	ダ イ オ ー ド ア レ イ	
-104	VV556301	DIODE ARRAY	DAN217 0.3A X2	ダ イ オ ー ド ア レ イ	
DA201	VD30390R	DIODE ARRAY	1SS226(TE85R,F)	ダ イ オ ー ド ア レ イ	
-204	VD30390R	DIODE ARRAY	1SS226(TE85R,F)	ダ イ オ ー ド ア レ イ	
DA201	VV556301	DIODE ARRAY	DAN217 0.3A X2	ダ イ オ ー ド ア レ イ	
-204	VV556301	DIODE ARRAY	DAN217 0.3A X2	ダ イ オ ー ド ア レ イ	
DA301	VD30390R	DIODE ARRAY	1SS226(TE85R,F)	ダ イ オ ー ド ア レ イ	
-304	VD30390R	DIODE ARRAY	1SS226(TE85R,F)	ダ イ オ ー ド ア レ イ	
DA301	VV556301	DIODE ARRAY	DAN217 0.3A X2	ダ イ オ ー ド ア レ イ	
-304	VV556301	DIODE ARRAY	DAN217 0.3A X2	ダ イ オ ー ド ア レ イ	
DA401	VD30390R	DIODE ARRAY	1SS226(TE85R,F)	ダ イ オ ー ド ア レ イ	
DA401	VV556301	DIODE ARRAY	DAN217 0.3A X2	ダ イ オ ー ド ア レ イ	
DA402	VD30390R	DIODE ARRAY	1SS226(TE85R,F)	ダ イ オ ー ド ア レ イ	
DA402	VV556301	DIODE ARRAY	DAN217 0.3A X2	ダ イ オ ー ド ア レ イ	
DA404	VD30390R	DIODE ARRAY	1SS226(TE85R,F)	ダ イ オ ー ド ア レ イ	
DA404	VV556301	DIODE ARRAY	DAN217 0.3A X2	ダ イ オ ー ド ア レ イ	
DA501	VD30390R	DIODE ARRAY	1SS226(TE85R,F)	ダ イ オ ー ド ア レ イ	
DA501	VV556301	DIODE ARRAY	DAN217 0.3A X2	ダ イ オ ー ド ア レ イ	
DA502	VD30390R	DIODE ARRAY	1SS226(TE85R,F)	ダ イ オ ー ド ア レ イ	
DA502	VV556301	DIODE ARRAY	DAN217 0.3A X2	ダ イ オ ー ド ア レ イ	
DA701	VD30390R	DIODE ARRAY	1SS226(TE85R,F)	ダ イ オ ー ド ア レ イ	
DA701	VV556301	DIODE ARRAY	DAN217 0.3A X2	ダ イ オ ー ド ア レ イ	
DA702	VD30390R	DIODE ARRAY	1SS226(TE85R,F)	ダ イ オ ー ド ア レ イ	
DA702	VV556301	DIODE ARRAY	DAN217 0.3A X2	ダ イ オ ー ド ア レ イ	
DA901	VD30390R	DIODE ARRAY	1SS226(TE85R,F)	ダ イ オ ー ド ア レ イ	
DA901	VV556301	DIODE ARRAY	DAN217 0.3A X2	ダ イ オ ー ド ア レ イ	
DA902	VD30390R	DIODE ARRAY	1SS226(TE85R,F)	ダ イ オ ー ド ア レ イ	
DA902	VV556301	DIODE ARRAY	DAN217 0.3A X2	ダ イ オ ー ド ア レ イ	
DAB01	VD30390R	DIODE ARRAY	1SS226(TE85R,F)	ダ イ オ ー ド ア レ イ	
DAB01	VV556301	DIODE ARRAY	DAN217 0.3A X2	ダ イ オ ー ド ア レ イ	
DAB02	VD30390R	DIODE ARRAY	1SS226(TE85R,F)	ダ イ オ ー ド ア レ イ	
DAB02	VV556301	DIODE ARRAY	DAN217 0.3A X2	ダ イ オ ー ド ア レ イ	
DAM01	VD30390R	DIODE ARRAY	1SS226(TE85R,F)	ダ イ オ ー ド ア レ イ	
DAM01	VV556301	DIODE ARRAY	DAN217 0.3A X2	ダ イ オ ー ド ア レ イ	
DAM02	VD30390R	DIODE ARRAY	1SS226(TE85R,F)	ダ イ オ ー ド ア レ イ	
DAM02	VV556301	DIODE ARRAY	DAN217 0.3A X2	ダ イ オ ー ド ア レ イ	
DB06	VT332901	DIODE	1SS355 TE-17 TP	ダ イ オ ー ド	
DD01	VT332901	DIODE	1SS355 TE-17 TP	ダ イ オ ー ド	
IC101	X3505A01	IC	NJM2068M-D(TE2)	I	C OP AMP
IC102	X6897A00	IC	BA4560RF-E2	I	C OP AMP
IC104	X3505A01	IC	NJM2068M-D(TE2)	I	C OP AMP
IC105	X3505A01	IC	NJM2068M-D(TE2)	I	C OP AMP
IC106	X6897A00	IC	BA4560RF-E2	I	C OP AMP
-108	X6897A00	IC	BA4560RF-E2	I	C OP AMP
IC201	X3505A01	IC	NJM2068M-D(TE2)	I	C OP AMP
IC204	X3505A01	IC	NJM2068M-D(TE2)	I	C OP AMP
IC301	X3505A01	IC	NJM2068M-D(TE2)	I	C OP AMP

*: New Parts

MIX7

REF NO.	PART NO.	DESCRIPTION	部 品 名	REMARKS	QTY
IC303	X4543A0R	IC	NJM072BM-E(TE1)	I C	OP AMP
IC304	X3505A01	IC	NJM2068M-D(TE2)	I C	OP AMP
IC305	X3505A01	IC	NJM2068M-D(TE2)	I C	OP AMP
IC306	X6897A00	IC	BA4560RF-E2	I C	OP AMP
-308	X6897A00	IC	BA4560RF-E2	I C	OP AMP
IC404	X3505A01	IC	NJM2068M-D(TE2)	I C	OP AMP
IC501	X3505A01	IC	NJM2068M-D(TE2)	I C	OP AMP
IC502	X6897A00	IC	BA4560RF-E2	I C	OP AMP
-505	X6897A00	IC	BA4560RF-E2	I C	OP AMP
IC702	X6897A00	IC	BA4560RF-E2	I C	OP AMP
IC703	X6897A00	IC	BA4560RF-E2	I C	OP AMP
IC705	X6897A00	IC	BA4560RF-E2	I C	OP AMP
IC901	X3505A01	IC	NJM2068M-D(TE2)	I C	OP AMP
IC902	X6897A00	IC	BA4560RF-E2	I C	OP AMP
-905	X6897A00	IC	BA4560RF-E2	I C	OP AMP
ICB02	X6897A00	IC	BA4560RF-E2	I C	OP AMP
ICB03	X6897A00	IC	BA4560RF-E2	I C	OP AMP
ICB05	X6897A00	IC	BA4560RF-E2	I C	OP AMP
ICD01	X6897A00	IC	BA4560RF-E2	I C	OP AMP
ICD02	YD464A00	IC	TC74VHC595FT(EL,K)	I C	SHIFT REGISTER
ICM01	X6897A00	IC	BA4560RF-E2	I C	OP AMP
ICM02	X6266A0R	IC	BA10339F-E2	I C	COMPARATOR
-07	X6266A0R	IC	BA10339F-E2	I C	COMPARATOR
ICS01	X3505A01	IC	NJM2068M-D(TE2)	I C	OP AMP
ICS02	X3505A01	IC	NJM2068M-D(TE2)	I C	OP AMP
ICS03	X6897A00	IC	BA4560RF-E2	I C	OP AMP
ICS04	X3505A01	IC	NJM2068M-D(TE2)	I C	OP AMP
ICU01	X3505A01	IC	NJM2068M-D(TE2)	I C	OP AMP
ICU02	X3505A01	IC	NJM2068M-D(TE2)	I C	OP AMP
ICU03	X6897A00	IC	BA4560RF-E2	I C	OP AMP
ICU04	X3505A01	IC	NJM2068M-D(TE2)	I C	OP AMP
L401	WQ533300	COIL INDUCTOR (CHIP)	BLM18PG221SN1D	チ ッ プ イ ン ダ ク タ	
Q101	WH249200	FET (CHIP)	2SK208-GR(TE85L,F)	F E T	
Q102	VV556402	TRANSISTOR	2SC2412K Q,R,S TP	ト ラ ン ジ ス タ 2 S C	
Q201	WH249200	FET (CHIP)	2SK208-GR(TE85L,F)	F E T	
Q202	VV556402	TRANSISTOR	2SC2412K Q,R,S TP	ト ラ ン ジ ス タ 2 S C	
Q301	WH249200	FET (CHIP)	2SK208-GR(TE85L,F)	F E T	
Q302	VV556402	TRANSISTOR	2SC2412K Q,R,S TP	ト ラ ン ジ ス タ 2 S C	
Q401	WH249200	FET (CHIP)	2SK208-GR(TE85L,F)	F E T	
Q402	VV556402	TRANSISTOR	2SC2412K Q,R,S TP	ト ラ ン ジ ス タ 2 S C	
Q502	VV556402	TRANSISTOR	2SC2412K Q,R,S TP	ト ラ ン ジ ス タ 2 S C	
Q702	VV556402	TRANSISTOR	2SC2412K Q,R,S TP	ト ラ ン ジ ス タ 2 S C	
Q902	VV556402	TRANSISTOR	2SC2412K Q,R,S TP	ト ラ ン ジ ス タ 2 S C	
QB02	VV556402	TRANSISTOR	2SC2412K Q,R,S TP	ト ラ ン ジ ス タ 2 S C	
QD01	VV556402	TRANSISTOR	2SC2412K Q,R,S TP	ト ラ ン ジ ス タ 2 S C	
QD61	VV556502	TRANSISTOR	2SA1037AK Q,R,S TP	ト ラ ン ジ ス タ 2 S A	
QD62	VV556402	TRANSISTOR	2SC2412K Q,R,S TP	ト ラ ン ジ ス タ 2 S C	
QD63	VV655601	DIGITAL TRANSISTOR (CHIP)	DTC143EKA TP	デ ジ タ ル ト ラ ン ジ ス タ	
QM01	ZD255801	TRANSISTOR	2SAR513P	ト ラ ン ジ ス タ 2 S A	
-04	ZD255801	TRANSISTOR	2SAR513P	ト ラ ン ジ ス タ 2 S A	
QS01	VD303701	TRANSISTOR	2SC3326 -A,B(TE85R)	ト ラ ン ジ ス タ 2 S C	
-06	VD303701	TRANSISTOR	2SC3326 -A,B(TE85R)	ト ラ ン ジ ス タ 2 S C	
QS01	WC883402	TRANSISTOR	2SD2704 K TP	ト ラ ン ジ ス タ 2 S D	
-06	WC883402	TRANSISTOR	2SD2704 K TP	ト ラ ン ジ ス タ 2 S D	
QS01	WH372200	TRANSISTOR	2SCKTC2875-B TP	ト ラ ン ジ ス タ 2 S C	
-06	WH372200	TRANSISTOR	2SC KTC2875-B TP	ト ラ ン ジ ス タ 2 S C	
QU01	VD303701	TRANSISTOR	2SC3326 -A,B(TE85R)	ト ラ ン ジ ス タ 2 S C	
-04	VD303701	TRANSISTOR	2SC3326 -A,B(TE85R)	ト ラ ン ジ ス タ 2 S C	
QU01	WC883402	TRANSISTOR	2SD2704 K TP	ト ラ ン ジ ス タ 2 S D	
-04	WC883402	TRANSISTOR	2SD2704 K TP	ト ラ ン ジ ス タ 2 S D	
QU01	WH372200	TRANSISTOR	2SC KTC2875-B TP	ト ラ ン ジ ス タ 2 S C	
-04	WH372200	TRANSISTOR	2SC KTC2875-B TP	ト ラ ン ジ ス タ 2 S C	
R107	RF456271	CARBON RESISTOR (CHIP)	2.7K D RECT.	チ ッ プ 抵 抗	
R127	RF458182	CARBON RESISTOR (CHIP)	180.0K D RECT.	チ ッ プ 抵 抗	
R130	RF458182	CARBON RESISTOR (CHIP)	180.0K D RECT.	チ ッ プ 抵 抗	
R133	RD357102	CARBON RESISTOR (CHIP)	10.0K 63M J RECT.	チ ッ プ 抵 抗	
R135	RD357332	CARBON RESISTOR (CHIP)	33.0K 63M J RECT.	チ ッ プ 抵 抗	
R136	RD357681	CARBON RESISTOR (CHIP)	68.0K 63M J RECT.	チ ッ プ 抵 抗	
R141	RD358102	CARBON RESISTOR (CHIP)	100.0K 63M J RECT.	チ ッ プ 抵 抗	
R143	RD357222	CARBON RESISTOR (CHIP)	22.0K 63M J RECT.	チ ッ プ 抵 抗	

*: New Parts

MIX7

REF NO.	PART NO.	DESCRIPTION		部	品	名	REMARKS	QTY
R146	RD355821	CARBON RESISTOR (CHIP)	820.0 63M J RECT.	チ	ッ	ブ 抵 抗		
R147	RD356822	CARBON RESISTOR (CHIP)	8.2K 63M J RECT.	チ	ッ	ブ 抵 抗		
R149	RD356822	CARBON RESISTOR (CHIP)	8.2K 63M J RECT.	チ	ッ	ブ 抵 抗		
R168	RD356272	CARBON RESISTOR (CHIP)	2.7K 63M J RECT.	チ	ッ	ブ 抵 抗		
R172	RD357332	CARBON RESISTOR (CHIP)	33.0K 63M J RECT.	チ	ッ	ブ 抵 抗		
R173	RD358221	CARBON RESISTOR (CHIP)	220.0K 63M J RECT.	チ	ッ	ブ 抵 抗		
R174	RD355223	CARBON RESISTOR (CHIP)	220.0 63M J RECT.	チ	ッ	ブ 抵 抗		
R175	RD356332	CARBON RESISTOR (CHIP)	3.3K 63M J RECT.	チ	ッ	ブ 抵 抗		
R176	RD358102	CARBON RESISTOR (CHIP)	100.0K 63M J RECT.	チ	ッ	ブ 抵 抗		
R182	RD356122	CARBON RESISTOR (CHIP)	1.2K 63M J RECT.	チ	ッ	ブ 抵 抗		
R184	RD357102	CARBON RESISTOR (CHIP)	10.0K 63M J RECT.	チ	ッ	ブ 抵 抗		
R191	RD35718R	CARBON RESISTOR (CHIP)	18.0K 63M J RECT.	チ	ッ	ブ 抵 抗		
R192	RD35718R	CARBON RESISTOR (CHIP)	18.0K 63M J RECT.	チ	ッ	ブ 抵 抗		
R207	RF456271	CARBON RESISTOR (CHIP)	2.7K D RECT.	チ	ッ	ブ 抵 抗		
R227	RF458182	CARBON RESISTOR (CHIP)	180.0K D RECT.	チ	ッ	ブ 抵 抗		
R230	RF458182	CARBON RESISTOR (CHIP)	180.0K D RECT.	チ	ッ	ブ 抵 抗		
R232	RD357102	CARBON RESISTOR (CHIP)	10.0K 63M J RECT.	チ	ッ	ブ 抵 抗		
R233	RD357102	CARBON RESISTOR (CHIP)	10.0K 63M J RECT.	チ	ッ	ブ 抵 抗		
R235	RD357332	CARBON RESISTOR (CHIP)	33.0K 63M J RECT.	チ	ッ	ブ 抵 抗		
R236	RD357681	CARBON RESISTOR (CHIP)	68.0K 63M J RECT.	チ	ッ	ブ 抵 抗		
R241	RD358102	CARBON RESISTOR (CHIP)	100.0K 63M J RECT.	チ	ッ	ブ 抵 抗		
R243	RD357222	CARBON RESISTOR (CHIP)	22.0K 63M J RECT.	チ	ッ	ブ 抵 抗		
R246	RD355821	CARBON RESISTOR (CHIP)	820.0 63M J RECT.	チ	ッ	ブ 抵 抗		
R247	RD356822	CARBON RESISTOR (CHIP)	8.2K 63M J RECT.	チ	ッ	ブ 抵 抗		
R249	RD356822	CARBON RESISTOR (CHIP)	8.2K 63M J RECT.	チ	ッ	ブ 抵 抗		
R268	RD356272	CARBON RESISTOR (CHIP)	2.7K 63M J RECT.	チ	ッ	ブ 抵 抗		
R272	RD357332	CARBON RESISTOR (CHIP)	33.0K 63M J RECT.	チ	ッ	ブ 抵 抗		
R273	RD358221	CARBON RESISTOR (CHIP)	220.0K 63M J RECT.	チ	ッ	ブ 抵 抗		
R274	RD355223	CARBON RESISTOR (CHIP)	220.0 63M J RECT.	チ	ッ	ブ 抵 抗		
R275	RD356332	CARBON RESISTOR (CHIP)	3.3K 63M J RECT.	チ	ッ	ブ 抵 抗		
R276	RD358102	CARBON RESISTOR (CHIP)	100.0K 63M J RECT.	チ	ッ	ブ 抵 抗		
R282	RD356122	CARBON RESISTOR (CHIP)	1.2K 63M J RECT.	チ	ッ	ブ 抵 抗		
R284	RD357102	CARBON RESISTOR (CHIP)	10.0K 63M J RECT.	チ	ッ	ブ 抵 抗		
R307	RF456271	CARBON RESISTOR (CHIP)	2.7K D RECT.	チ	ッ	ブ 抵 抗		
R308	RF456271	CARBON RESISTOR (CHIP)	2.7K D RECT.	チ	ッ	ブ 抵 抗		
R327	RF458182	CARBON RESISTOR (CHIP)	180.0K D RECT.	チ	ッ	ブ 抵 抗		
R330	RF458182	CARBON RESISTOR (CHIP)	180.0K D RECT.	チ	ッ	ブ 抵 抗		
R335	RD357332	CARBON RESISTOR (CHIP)	33.0K 63M J RECT.	チ	ッ	ブ 抵 抗		
R336	RD357681	CARBON RESISTOR (CHIP)	68.0K 63M J RECT.	チ	ッ	ブ 抵 抗		
R341	RD358102	CARBON RESISTOR (CHIP)	100.0K 63M J RECT.	チ	ッ	ブ 抵 抗		
R342	RD357562	CARBON RESISTOR (CHIP)	56.0K 63M J RECT.	チ	ッ	ブ 抵 抗		
R343	RD357222	CARBON RESISTOR (CHIP)	22.0K 63M J RECT.	チ	ッ	ブ 抵 抗		
R346	RD355821	CARBON RESISTOR (CHIP)	820.0 63M J RECT.	チ	ッ	ブ 抵 抗		
R347	RD356822	CARBON RESISTOR (CHIP)	8.2K 63M J RECT.	チ	ッ	ブ 抵 抗		
R349	RD356822	CARBON RESISTOR (CHIP)	8.2K 63M J RECT.	チ	ッ	ブ 抵 抗		
R368	RD356272	CARBON RESISTOR (CHIP)	2.7K 63M J RECT.	チ	ッ	ブ 抵 抗		
R372	RD357332	CARBON RESISTOR (CHIP)	33.0K 63M J RECT.	チ	ッ	ブ 抵 抗		
R373	RD358221	CARBON RESISTOR (CHIP)	220.0K 63M J RECT.	チ	ッ	ブ 抵 抗		
R374	RD355223	CARBON RESISTOR (CHIP)	220.0 63M J RECT.	チ	ッ	ブ 抵 抗		
R375	RD356332	CARBON RESISTOR (CHIP)	3.3K 63M J RECT.	チ	ッ	ブ 抵 抗		
R376	RD358102	CARBON RESISTOR (CHIP)	100.0K 63M J RECT.	チ	ッ	ブ 抵 抗		
R381	RD356561	CARBON RESISTOR (CHIP)	5.6K 63M J RECT.	チ	ッ	ブ 抵 抗		
R382	RD356122	CARBON RESISTOR (CHIP)	1.2K 63M J RECT.	チ	ッ	ブ 抵 抗		
R383	RD355182	CARBON RESISTOR (CHIP)	180.0 63M J RECT.	チ	ッ	ブ 抵 抗		
R384	RD357102	CARBON RESISTOR (CHIP)	10.0K 63M J RECT.	チ	ッ	ブ 抵 抗		
R411	RD350003	CARBON RESISTOR (CHIP)	0 63M J RECT.	チ	ッ	ブ 抵 抗		
R412	RD359470	CARBON RESISTOR (CHIP)	4.7M 63M J RECT.	チ	ッ	ブ 抵 抗		
R415	RD359220	CARBON RESISTOR (CHIP)	2.2M 63M J RECT.	チ	ッ	ブ 抵 抗		
R416	RD357102	CARBON RESISTOR (CHIP)	10.0K 63M J RECT.	チ	ッ	ブ 抵 抗		
R417	RF458221	CARBON RESISTOR (CHIP)	220.0K D RECT.	チ	ッ	ブ 抵 抗		
R418	RF458221	CARBON RESISTOR (CHIP)	220.0K D RECT.	チ	ッ	ブ 抵 抗		
R427	RF458182	CARBON RESISTOR (CHIP)	180.0K D RECT.	チ	ッ	ブ 抵 抗		
R430	RF458182	CARBON RESISTOR (CHIP)	180.0K D RECT.	チ	ッ	ブ 抵 抗		
R441	RD358102	CARBON RESISTOR (CHIP)	100.0K 63M J RECT.	チ	ッ	ブ 抵 抗		
R443	RD357222	CARBON RESISTOR (CHIP)	22.0K 63M J RECT.	チ	ッ	ブ 抵 抗		
R446	RD355821	CARBON RESISTOR (CHIP)	820.0 63M J RECT.	チ	ッ	ブ 抵 抗		
R447	RD356822	CARBON RESISTOR (CHIP)	8.2K 63M J RECT.	チ	ッ	ブ 抵 抗		
R449	RD356822	CARBON RESISTOR (CHIP)	8.2K 63M J RECT.	チ	ッ	ブ 抵 抗		
R451	RF458101	CARBON RESISTOR (CHIP)	100.0K D RECT.	チ	ッ	ブ 抵 抗		
R452	RF456222	CARBON RESISTOR (CHIP)	2.2K D RECT.	チ	ッ	ブ 抵 抗		

*: New Parts

MIX7

REF NO.	PART NO.	DESCRIPTION		部	品	名	REMARKS	QTY
R972	RD357332	CARBON RESISTOR (CHIP)	33.0K 63M J RECT.	チ	ッ	ブ 抵 抗		
R973	RD358221	CARBON RESISTOR (CHIP)	220.0K 63M J RECT.	チ	ッ	ブ 抵 抗		
R974	RD355223	CARBON RESISTOR (CHIP)	220.0 63M J RECT.	チ	ッ	ブ 抵 抗		
R975	RD356332	CARBON RESISTOR (CHIP)	3.3K 63M J RECT.	チ	ッ	ブ 抵 抗		
R976	RD358102	CARBON RESISTOR (CHIP)	100.0K 63M J RECT.	チ	ッ	ブ 抵 抗		
R981	RD356561	CARBON RESISTOR (CHIP)	5.6K 63M J RECT.	チ	ッ	ブ 抵 抗		
R982	RD356122	CARBON RESISTOR (CHIP)	1.2K 63M J RECT.	チ	ッ	ブ 抵 抗		
R983	RD355223	CARBON RESISTOR (CHIP)	220.0 63M J RECT.	チ	ッ	ブ 抵 抗		
R984	RD357102	CARBON RESISTOR (CHIP)	10.0K 63M J RECT.	チ	ッ	ブ 抵 抗		
RA43	RD357821	CARBON RESISTOR (CHIP)	82.0K 63M J RECT.	チ	ッ	ブ 抵 抗		
RA44	RD357102	CARBON RESISTOR (CHIP)	10.0K 63M J RECT.	チ	ッ	ブ 抵 抗		
RA61	RD357102	CARBON RESISTOR (CHIP)	10.0K 63M J RECT.	チ	ッ	ブ 抵 抗		
RA62	RD355681	CARBON RESISTOR (CHIP)	680.0 63M J RECT.	チ	ッ	ブ 抵 抗		
RA63	RD356272	CARBON RESISTOR (CHIP)	2.7K 63M J RECT.	チ	ッ	ブ 抵 抗		
RA64	RD357102	CARBON RESISTOR (CHIP)	10.0K 63M J RECT.	チ	ッ	ブ 抵 抗		
RA65	RD357102	CARBON RESISTOR (CHIP)	10.0K 63M J RECT.	チ	ッ	ブ 抵 抗		
RA66	RD355681	CARBON RESISTOR (CHIP)	680.0 63M J RECT.	チ	ッ	ブ 抵 抗		
RA67	RD356272	CARBON RESISTOR (CHIP)	2.7K 63M J RECT.	チ	ッ	ブ 抵 抗		
RA68	RD356272	CARBON RESISTOR (CHIP)	2.7K 63M J RECT.	チ	ッ	ブ 抵 抗		
RA81	RD356561	CARBON RESISTOR (CHIP)	5.6K 63M J RECT.	チ	ッ	ブ 抵 抗		
RA82	RD356122	CARBON RESISTOR (CHIP)	1.2K 63M J RECT.	チ	ッ	ブ 抵 抗		
RA83	RD355223	CARBON RESISTOR (CHIP)	220.0 63M J RECT.	チ	ッ	ブ 抵 抗		
RA84	RD357102	CARBON RESISTOR (CHIP)	10.0K 63M J RECT.	チ	ッ	ブ 抵 抗		
RB27	RF458102	CARBON RESISTOR (CHIP)	100.0K D RECT.	チ	ッ	ブ 抵 抗		
RB30	RF458102	CARBON RESISTOR (CHIP)	100.0K D RECT.	チ	ッ	ブ 抵 抗		
RB41	RD357122	CARBON RESISTOR (CHIP)	12.0K 63M J RECT.	チ	ッ	ブ 抵 抗		
RB43	RD357821	CARBON RESISTOR (CHIP)	82.0K 63M J RECT.	チ	ッ	ブ 抵 抗		
RB44	RD357102	CARBON RESISTOR (CHIP)	10.0K 63M J RECT.	チ	ッ	ブ 抵 抗		
RB68	RD356272	CARBON RESISTOR (CHIP)	2.7K 63M J RECT.	チ	ッ	ブ 抵 抗		
RB72	RD357332	CARBON RESISTOR (CHIP)	33.0K 63M J RECT.	チ	ッ	ブ 抵 抗		
RB73	RD358221	CARBON RESISTOR (CHIP)	220.0K 63M J RECT.	チ	ッ	ブ 抵 抗		
RB74	RD355223	CARBON RESISTOR (CHIP)	220.0 63M J RECT.	チ	ッ	ブ 抵 抗		
RB75	RD356332	CARBON RESISTOR (CHIP)	3.3K 63M J RECT.	チ	ッ	ブ 抵 抗		
RB76	RD358102	CARBON RESISTOR (CHIP)	100.0K 63M J RECT.	チ	ッ	ブ 抵 抗		
RB81	RD356561	CARBON RESISTOR (CHIP)	5.6K 63M J RECT.	チ	ッ	ブ 抵 抗		
RB82	RD356122	CARBON RESISTOR (CHIP)	1.2K 63M J RECT.	チ	ッ	ブ 抵 抗		
RB83	RD355223	CARBON RESISTOR (CHIP)	220.0 63M J RECT.	チ	ッ	ブ 抵 抗		
RB84	RD357102	CARBON RESISTOR (CHIP)	10.0K 63M J RECT.	チ	ッ	ブ 抵 抗		
RC41	RD357122	CARBON RESISTOR (CHIP)	12.0K 63M J RECT.	チ	ッ	ブ 抵 抗		
RC43	RD357821	CARBON RESISTOR (CHIP)	82.0K 63M J RECT.	チ	ッ	ブ 抵 抗		
RC44	RD357102	CARBON RESISTOR (CHIP)	10.0K 63M J RECT.	チ	ッ	ブ 抵 抗		
RC61	RD357102	CARBON RESISTOR (CHIP)	10.0K 63M J RECT.	チ	ッ	ブ 抵 抗		
RC62	RD355681	CARBON RESISTOR (CHIP)	680.0 63M J RECT.	チ	ッ	ブ 抵 抗		
RC63	RD356272	CARBON RESISTOR (CHIP)	2.7K 63M J RECT.	チ	ッ	ブ 抵 抗		
RC64	RD357102	CARBON RESISTOR (CHIP)	10.0K 63M J RECT.	チ	ッ	ブ 抵 抗		
RC65	RD357102	CARBON RESISTOR (CHIP)	10.0K 63M J RECT.	チ	ッ	ブ 抵 抗		
RC66	RD355681	CARBON RESISTOR (CHIP)	680.0 63M J RECT.	チ	ッ	ブ 抵 抗		
RC67	RD356272	CARBON RESISTOR (CHIP)	2.7K 63M J RECT.	チ	ッ	ブ 抵 抗		
RC68	RD356272	CARBON RESISTOR (CHIP)	2.7K 63M J RECT.	チ	ッ	ブ 抵 抗		
RC81	RD356561	CARBON RESISTOR (CHIP)	5.6K 63M J RECT.	チ	ッ	ブ 抵 抗		
RC82	RD356122	CARBON RESISTOR (CHIP)	1.2K 63M J RECT.	チ	ッ	ブ 抵 抗		
RC83	RD355223	CARBON RESISTOR (CHIP)	220.0 63M J RECT.	チ	ッ	ブ 抵 抗		
RC84	RD357102	CARBON RESISTOR (CHIP)	10.0K 63M J RECT.	チ	ッ	ブ 抵 抗		
RD02	RD154332	CARBON RESISTOR (CHIP)	33.0 1/4 J TP	チ	ッ	ブ 抵 抗		
-04	RD154332	CARBON RESISTOR (CHIP)	33.0 1/4 J TP	チ	ッ	ブ 抵 抗		
RD06	RD356682	CARBON RESISTOR (CHIP)	6.8K 63M J RECT.	チ	ッ	ブ 抵 抗		
RD07	RD356682	CARBON RESISTOR (CHIP)	6.8K 63M J RECT.	チ	ッ	ブ 抵 抗		
RD08	RD357332	CARBON RESISTOR (CHIP)	33.0K 63M J RECT.	チ	ッ	ブ 抵 抗		
RD09	RD358221	CARBON RESISTOR (CHIP)	220.0K 63M J RECT.	チ	ッ	ブ 抵 抗		
RD10	RD355223	CARBON RESISTOR (CHIP)	220.0 63M J RECT.	チ	ッ	ブ 抵 抗		
RD11	RD356332	CARBON RESISTOR (CHIP)	3.3K 63M J RECT.	チ	ッ	ブ 抵 抗		
RD12	RD358102	CARBON RESISTOR (CHIP)	100.0K 63M J RECT.	チ	ッ	ブ 抵 抗		
RD15	RD358102	CARBON RESISTOR (CHIP)	100.0K 63M J RECT.	チ	ッ	ブ 抵 抗		
-18	RD358102	CARBON RESISTOR (CHIP)	100.0K 63M J RECT.	チ	ッ	ブ 抵 抗		
RD31	RD354224	CARBON RESISTOR (CHIP)	22.0 63M J RECT.	チ	ッ	ブ 抵 抗		
-34	RD354224	CARBON RESISTOR (CHIP)	22.0 63M J RECT.	チ	ッ	ブ 抵 抗		
RD61	RD358102	CARBON RESISTOR (CHIP)	100.0K 63M J RECT.	チ	ッ	ブ 抵 抗		
RD62	RD357152	CARBON RESISTOR (CHIP)	15.0K 63M J RECT.	チ	ッ	ブ 抵 抗		
RD63	RD357472	CARBON RESISTOR (CHIP)	47.0K 63M J RECT.	チ	ッ	ブ 抵 抗		
-65	RD357472	CARBON RESISTOR (CHIP)	47.0K 63M J RECT.	チ	ッ	ブ 抵 抗		

*: New Parts

MIX7

REF NO.	PART NO.	DESCRIPTION		部	品	名	REMARKS	QTY
RM01	RF457360	CARBON RESISTOR (CHIP)	36.0K D RECT.	チ	ッ	ブ	抵抗	
RM02	RF457360	CARBON RESISTOR (CHIP)	36.0K D RECT.	チ	ッ	ブ	抵抗	
RM03	RF457222	CARBON RESISTOR (CHIP)	22.0K D RECT.	チ	ッ	ブ	抵抗	
RM04	RF457222	CARBON RESISTOR (CHIP)	22.0K D RECT.	チ	ッ	ブ	抵抗	
RM05	RF455681	CARBON RESISTOR (CHIP)	680.0 D RECT.	チ	ッ	ブ	抵抗	
RM06	RF455681	CARBON RESISTOR (CHIP)	680.0 D RECT.	チ	ッ	ブ	抵抗	
RM11	RD357102	CARBON RESISTOR (CHIP)	10.0K 63M J RECT.	チ	ッ	ブ	抵抗	
RM12	RD357102	CARBON RESISTOR (CHIP)	10.0K 63M J RECT.	チ	ッ	ブ	抵抗	
RM13	RD356103	CARBON RESISTOR (CHIP)	1.0K 63M J RECT.	チ	ッ	ブ	抵抗	
RM14	RD356103	CARBON RESISTOR (CHIP)	1.0K 63M J RECT.	チ	ッ	ブ	抵抗	
RM15	RD355821	CARBON RESISTOR (CHIP)	820.0 63M J RECT.	チ	ッ	ブ	抵抗	
RM16	RD355821	CARBON RESISTOR (CHIP)	820.0 63M J RECT.	チ	ッ	ブ	抵抗	
RM17	RD355472	CARBON RESISTOR (CHIP)	470.0 63M J RECT.	チ	ッ	ブ	抵抗	
RM18	RD355472	CARBON RESISTOR (CHIP)	470.0 63M J RECT.	チ	ッ	ブ	抵抗	
RM19	RD355332	CARBON RESISTOR (CHIP)	330.0 63M J RECT.	チ	ッ	ブ	抵抗	
RM20	RD355332	CARBON RESISTOR (CHIP)	330.0 63M J RECT.	チ	ッ	ブ	抵抗	
RM21	RD355223	CARBON RESISTOR (CHIP)	220.0 63M J RECT.	チ	ッ	ブ	抵抗	
RM22	RD355223	CARBON RESISTOR (CHIP)	220.0 63M J RECT.	チ	ッ	ブ	抵抗	
RM23	RD355151	CARBON RESISTOR (CHIP)	150.0 63M J RECT.	チ	ッ	ブ	抵抗	
-26	RD355151	CARBON RESISTOR (CHIP)	150.0 63M J RECT.	チ	ッ	ブ	抵抗	
RM27	RD355101	CARBON RESISTOR (CHIP)	100.0 63M J RECT.	チ	ッ	ブ	抵抗	
RM28	RD355101	CARBON RESISTOR (CHIP)	100.0 63M J RECT.	チ	ッ	ブ	抵抗	
RM29	RD354561	CARBON RESISTOR (CHIP)	56.0 63M J RECT.	チ	ッ	ブ	抵抗	
RM30	RD354561	CARBON RESISTOR (CHIP)	56.0 63M J RECT.	チ	ッ	ブ	抵抗	
RM31	RD354332	CARBON RESISTOR (CHIP)	33.0 63M J RECT.	チ	ッ	ブ	抵抗	
RM32	RD354332	CARBON RESISTOR (CHIP)	33.0 63M J RECT.	チ	ッ	ブ	抵抗	
RM33	RD354182	CARBON RESISTOR (CHIP)	18.0 63M J RECT.	チ	ッ	ブ	抵抗	
RM34	RD354182	CARBON RESISTOR (CHIP)	18.0 63M J RECT.	チ	ッ	ブ	抵抗	
RM35	RD354224	CARBON RESISTOR (CHIP)	22.0 63M J RECT.	チ	ッ	ブ	抵抗	
RM36	RD354224	CARBON RESISTOR (CHIP)	22.0 63M J RECT.	チ	ッ	ブ	抵抗	
RM41	RD355151	CARBON RESISTOR (CHIP)	150.0 63M J RECT.	チ	ッ	ブ	抵抗	
RM42	RD355151	CARBON RESISTOR (CHIP)	150.0 63M J RECT.	チ	ッ	ブ	抵抗	
RM43	RD356122	CARBON RESISTOR (CHIP)	1.2K 63M J RECT.	チ	ッ	ブ	抵抗	
RM44	RD356122	CARBON RESISTOR (CHIP)	1.2K 63M J RECT.	チ	ッ	ブ	抵抗	
RM45	RD357102	CARBON RESISTOR (CHIP)	10.0K 63M J RECT.	チ	ッ	ブ	抵抗	
RM46	RD357102	CARBON RESISTOR (CHIP)	10.0K 63M J RECT.	チ	ッ	ブ	抵抗	
RM47	RD355182	CARBON RESISTOR (CHIP)	180.0 63M J RECT.	チ	ッ	ブ	抵抗	
RM48	RD355182	CARBON RESISTOR (CHIP)	180.0 63M J RECT.	チ	ッ	ブ	抵抗	
RM49	RD356122	CARBON RESISTOR (CHIP)	1.2K 63M J RECT.	チ	ッ	ブ	抵抗	
RM50	RD356122	CARBON RESISTOR (CHIP)	1.2K 63M J RECT.	チ	ッ	ブ	抵抗	
RM51	RD357102	CARBON RESISTOR (CHIP)	10.0K 63M J RECT.	チ	ッ	ブ	抵抗	
RM52	RD357102	CARBON RESISTOR (CHIP)	10.0K 63M J RECT.	チ	ッ	ブ	抵抗	
RP04	RD350003	CARBON RESISTOR (CHIP)	0 63M J RECT.	チ	ッ	ブ	抵抗	
RS01	RD35718R	CARBON RESISTOR (CHIP)	18.0K 63M J RECT.	チ	ッ	ブ	抵抗	
-06	RD35718R	CARBON RESISTOR (CHIP)	18.0K 63M J RECT.	チ	ッ	ブ	抵抗	
RS09	RD357122	CARBON RESISTOR (CHIP)	12.0K 63M J RECT.	チ	ッ	ブ	抵抗	
-12	RD357122	CARBON RESISTOR (CHIP)	12.0K 63M J RECT.	チ	ッ	ブ	抵抗	
RS13	RD357271	CARBON RESISTOR (CHIP)	27.0K 63M J RECT.	チ	ッ	ブ	抵抗	
-16	RD357271	CARBON RESISTOR (CHIP)	27.0K 63M J RECT.	チ	ッ	ブ	抵抗	
RS17	RD356472	CARBON RESISTOR (CHIP)	4.7K 63M J RECT.	チ	ッ	ブ	抵抗	
RS18	RD356472	CARBON RESISTOR (CHIP)	4.7K 63M J RECT.	チ	ッ	ブ	抵抗	
RS19	RD357392	CARBON RESISTOR (CHIP)	39.0K 63M J RECT.	チ	ッ	ブ	抵抗	
RS20	RD357392	CARBON RESISTOR (CHIP)	39.0K 63M J RECT.	チ	ッ	ブ	抵抗	
RS21	RD358102	CARBON RESISTOR (CHIP)	100.0K 63M J RECT.	チ	ッ	ブ	抵抗	
RS22	RD358102	CARBON RESISTOR (CHIP)	100.0K 63M J RECT.	チ	ッ	ブ	抵抗	
RS23	RD355562	CARBON RESISTOR (CHIP)	560.0 63M J RECT.	チ	ッ	ブ	抵抗	
RS24	RD355562	CARBON RESISTOR (CHIP)	560.0 63M J RECT.	チ	ッ	ブ	抵抗	
RS41	RD356103	CARBON RESISTOR (CHIP)	1.0K 63M J RECT.	チ	ッ	ブ	抵抗	
RS42	RD356103	CARBON RESISTOR (CHIP)	1.0K 63M J RECT.	チ	ッ	ブ	抵抗	
RS43	RD356822	CARBON RESISTOR (CHIP)	8.2K 63M J RECT.	チ	ッ	ブ	抵抗	
RS44	RD356822	CARBON RESISTOR (CHIP)	8.2K 63M J RECT.	チ	ッ	ブ	抵抗	
RS45	RD350003	CARBON RESISTOR (CHIP)	0 63M J RECT.	チ	ッ	ブ	抵抗	
RS46	RD350003	CARBON RESISTOR (CHIP)	0 63M J RECT.	チ	ッ	ブ	抵抗	
RS47	RD357102	CARBON RESISTOR (CHIP)	10.0K 63M J RECT.	チ	ッ	ブ	抵抗	
RS48	RD357102	CARBON RESISTOR (CHIP)	10.0K 63M J RECT.	チ	ッ	ブ	抵抗	
RS49	RD355562	CARBON RESISTOR (CHIP)	560.0 63M J RECT.	チ	ッ	ブ	抵抗	
RS50	RD355562	CARBON RESISTOR (CHIP)	560.0 63M J RECT.	チ	ッ	ブ	抵抗	
RS51	RD357152	CARBON RESISTOR (CHIP)	15.0K 63M J RECT.	チ	ッ	ブ	抵抗	
RS52	RD357152	CARBON RESISTOR (CHIP)	15.0K 63M J RECT.	チ	ッ	ブ	抵抗	
RS56	RD358102	CARBON RESISTOR (CHIP)	100.0K 63M J RECT.	チ	ッ	ブ	抵抗	

*: New Parts

MIX7

REF NO.	PART NO.	DESCRIPTION		部 品 名	REMARKS	QTY
RU01	RD357181	CARBON RESISTOR (CHIP)	18.0K 63M J RECT.	チ ッ プ 抵 抗		
RU03	RD357472	CARBON RESISTOR (CHIP)	47.0K 63M J RECT.	チ ッ プ 抵 抗		
RU04	RD357392	CARBON RESISTOR (CHIP)	39.0K 63M J RECT.	チ ッ プ 抵 抗		
RU05	RD357472	CARBON RESISTOR (CHIP)	47.0K 63M J RECT.	チ ッ プ 抵 抗		
RU09	RD357122	CARBON RESISTOR (CHIP)	12.0K 63M J RECT.	チ ッ プ 抵 抗		
RU11	RD357122	CARBON RESISTOR (CHIP)	12.0K 63M J RECT.	チ ッ プ 抵 抗		
RU12	RD357122	CARBON RESISTOR (CHIP)	12.0K 63M J RECT.	チ ッ プ 抵 抗		
RU13	RD357271	CARBON RESISTOR (CHIP)	27.0K 63M J RECT.	チ ッ プ 抵 抗		
RU15	RD357271	CARBON RESISTOR (CHIP)	27.0K 63M J RECT.	チ ッ プ 抵 抗		
RU16	RD357271	CARBON RESISTOR (CHIP)	27.0K 63M J RECT.	チ ッ プ 抵 抗		
RU17	RD356472	CARBON RESISTOR (CHIP)	4.7K 63M J RECT.	チ ッ プ 抵 抗		
RU18	RD356332	CARBON RESISTOR (CHIP)	3.3K 63M J RECT.	チ ッ プ 抵 抗		
RU19	RD357392	CARBON RESISTOR (CHIP)	39.0K 63M J RECT.	チ ッ プ 抵 抗		
RU20	RD357392	CARBON RESISTOR (CHIP)	39.0K 63M J RECT.	チ ッ プ 抵 抗		
RU21	RD358102	CARBON RESISTOR (CHIP)	100.0K 63M J RECT.	チ ッ プ 抵 抗		
RU22	RD358102	CARBON RESISTOR (CHIP)	100.0K 63M J RECT.	チ ッ プ 抵 抗		
RU41	RD356103	CARBON RESISTOR (CHIP)	1.0K 63M J RECT.	チ ッ プ 抵 抗		
RU42	RD356103	CARBON RESISTOR (CHIP)	1.0K 63M J RECT.	チ ッ プ 抵 抗		
RU43	RD356822	CARBON RESISTOR (CHIP)	8.2K 63M J RECT.	チ ッ プ 抵 抗		
RU44	RD356822	CARBON RESISTOR (CHIP)	8.2K 63M J RECT.	チ ッ プ 抵 抗		
RU45	RD350003	CARBON RESISTOR (CHIP)	0 63M J RECT.	チ ッ プ 抵 抗		
RU46	RD350003	CARBON RESISTOR (CHIP)	0 63M J RECT.	チ ッ プ 抵 抗		
RU47	RD357102	CARBON RESISTOR (CHIP)	10.0K 63M J RECT.	チ ッ プ 抵 抗		
RU48	RD357102	CARBON RESISTOR (CHIP)	10.0K 63M J RECT.	チ ッ プ 抵 抗		
RU49	RD355562	CARBON RESISTOR (CHIP)	560.0 63M J RECT.	チ ッ プ 抵 抗		
RU50	RD355562	CARBON RESISTOR (CHIP)	560.0 63M J RECT.	チ ッ プ 抵 抗		
RU51	RD357152	CARBON RESISTOR (CHIP)	15.0K 63M J RECT.	チ ッ プ 抵 抗		
RU52	RD357152	CARBON RESISTOR (CHIP)	15.0K 63M J RECT.	チ ッ プ 抵 抗		
RU53	RD358102	CARBON RESISTOR (CHIP)	100.0K 63M J RECT.	チ ッ プ 抵 抗		
ZD101	VU171800	ZENER DIODE (CHIP)	UDZS4.7BTE-17 4.7V	ツ エ ナ - ダ イ オ - ド		
ZD101	WY163101	ZENER DIODE (CHIP)	UDZV4.7B	ツ エ ナ - ダ イ オ - ド		
ZD201	VU171800	ZENER DIODE (CHIP)	UDZS4.7BTE-17 4.7V	ツ エ ナ - ダ イ オ - ド		
ZD201	WY163101	ZENER DIODE (CHIP)	UDZV4.7B	ツ エ ナ - ダ イ オ - ド		
ZD301	VU171800	ZENER DIODE (CHIP)	UDZS4.7BTE-17 4.7V	ツ エ ナ - ダ イ オ - ド		
ZD301	WY163101	ZENER DIODE (CHIP)	UDZV4.7B	ツ エ ナ - ダ イ オ - ド		
ZD401	VU171800	ZENER DIODE (CHIP)	UDZS4.7BTE-17 4.7V	ツ エ ナ - ダ イ オ - ド		
ZD401	WY163101	ZENER DIODE (CHIP)	UDZV4.7B	ツ エ ナ - ダ イ オ - ド		
ZD501	VU171800	ZENER DIODE (CHIP)	UDZS4.7BTE-17 4.7V	ツ エ ナ - ダ イ オ - ド		
ZD501	WY163101	ZENER DIODE (CHIP)	UDZV4.7B	ツ エ ナ - ダ イ オ - ド		
ZD701	VU171800	ZENER DIODE (CHIP)	UDZS4.7BTE-17 4.7V	ツ エ ナ - ダ イ オ - ド		
ZD701	WY163101	ZENER DIODE (CHIP)	UDZV4.7B	ツ エ ナ - ダ イ オ - ド		
ZD901	VU171800	ZENER DIODE (CHIP)	UDZS4.7BTE-17 4.7V	ツ エ ナ - ダ イ オ - ド		
ZD901	WY163101	ZENER DIODE (CHIP)	UDZV4.7B	ツ エ ナ - ダ イ オ - ド		
ZDB01	VU171800	ZENER DIODE (CHIP)	UDZS4.7BTE-17 4.7V	ツ エ ナ - ダ イ オ - ド		
ZDB01	WY163101	ZENER DIODE (CHIP)	UDZV4.7B	ツ エ ナ - ダ イ オ - ド		
ZDD01	VU171800	ZENER DIODE (CHIP)	UDZS4.7BTE-17 4.7V	ツ エ ナ - ダ イ オ - ド		
ZDD01	WY163101	ZENER DIODE (CHIP)	UDZV4.7B	ツ エ ナ - ダ イ オ - ド		
C101	WR183200	ELECTROLYTIC CAPACITOR	33.00 63.0V ST TP	ケ ミ コ ン P S		
C107	ZF740700	ELECTROLYTIC CAPACITOR	47.00 50.0V 2.5mm	ケ ミ コ ン		
C108	ZF740700	ELECTROLYTIC CAPACITOR	47.00 50.0V 2.5mm	ケ ミ コ ン		
C109	UR867221	ELECTROLYTIC CAPACITOR	22.00 50.0V RX TP	ケ ミ コ ン		
C110	UR867221	ELECTROLYTIC CAPACITOR	22.00 50.0V RX TP	ケ ミ コ ン		
C124	UR867101	ELECTROLYTIC CAPACITOR	10.00 50.0V RX TP	ケ ミ コ ン		
C126	UR867101	ELECTROLYTIC CAPACITOR	10.00 50.0V RX TP	ケ ミ コ ン		
C130	UR857470	ELECTROLYTIC CAPACITOR	47.00 35.0V RX TP	ケ ミ コ ン		
C134	UR857470	ELECTROLYTIC CAPACITOR	47.00 35.0V RX TP	ケ ミ コ ン		
C135	UA354391	POLYESTER FILM CAPACITOR	0.0390 50V J RX TP	マ イ ラ - コ ン		
C135	ZD517000	POLYESTER FILM CAPACITOR	0.039 63V J TP	マ イ ラ - コ ン		
C136	UA354391	POLYESTER FILM CAPACITOR	0.0390 50V J RX TP	マ イ ラ - コ ン		
C136	ZD517000	POLYESTER FILM CAPACITOR	0.039 63V J TP	マ イ ラ - コ ン		
C138	UR867101	ELECTROLYTIC CAPACITOR	10.00 50.0V RX TP	ケ ミ コ ン		
C141	UU238220	ELECTROLYTIC CAPACITOR	220.00 16.0V RX TP	ケ ミ コ ン F W		
C144	UU238220	ELECTROLYTIC CAPACITOR	220.00 16.0V RX TP	ケ ミ コ ン F W		
C151	UR838102	ELECTROLYTIC CAPACITOR	100.00 16.0V RX TP	ケ ミ コ ン		
C152	UR838102	ELECTROLYTIC CAPACITOR	100.00 16.0V RX TP	ケ ミ コ ン		
C153	UR857470	ELECTROLYTIC CAPACITOR	47.00 35.0V RX TP	ケ ミ コ ン		
C161	UR857470	ELECTROLYTIC CAPACITOR	47.00 35.0V RX TP	ケ ミ コ ン		
C162	UA354151	POLYESTER FILM CAPACITOR	0.0150 50V J RX TP	マ イ ラ - コ ン		
C162	ZD516500	POLYESTER FILM CAPACITOR	0.015 63V J TP	マ イ ラ - コ ン		
C163	UA354101	POLYESTER FILM CAPACITOR	0.0100 50V J RX TP	マ イ ラ - コ ン		

*: New Parts

MIX7

REF NO.	PART NO.	DESCRIPTION	部 品 名	REMARKS	QTY
C163	ZD516300	POLYESTER FILM CAPACITOR	0.01 63V J TP	マ イ ラ - コ ン	
C164	UA35412R	POLYESTER FILM CAPACITOR	0.0120 50V J RX TP	マ イ ラ - コ ン	
C164	ZD516400	POLYESTER FILM CAPACITOR	0.012 63V J TP	マ イ ラ - コ ン	
C165	UA353390	POLYESTER FILM CAPACITOR	3900P 50V J RX TP	マ イ ラ - コ ン	
C165	ZD515800	POLYESTER FILM CAPACITOR	3900P 63V J TP	マ イ ラ - コ ン	
C168	UR866471	ELECTROLYTIC CAPACITOR	4.70 50.0V RX TP	ケ ミ コ ン	
C169	UR867472	ELECTROLYTIC CAPACITOR	47.00 50.0V RX TP	ケ ミ コ ン	
C173	UR866471	ELECTROLYTIC CAPACITOR	4.70 50.0V RX TP	ケ ミ コ ン	
C181	UR867221	ELECTROLYTIC CAPACITOR	22.00 50.0V RX TP	ケ ミ コ ン	
C184	UR857470	ELECTROLYTIC CAPACITOR	47.00 35.0V RX TP	ケ ミ コ ン	
C207	ZF740700	ELECTROLYTIC CAPACITOR	47.00 50.0V 2.5mm	ケ ミ コ ン	
C208	ZF740700	ELECTROLYTIC CAPACITOR	47.00 50.0V 2.5mm	ケ ミ コ ン	
C209	UR867221	ELECTROLYTIC CAPACITOR	22.00 50.0V RX TP	ケ ミ コ ン	
C210	UR867221	ELECTROLYTIC CAPACITOR	22.00 50.0V RX TP	ケ ミ コ ン	
C224	UR867101	ELECTROLYTIC CAPACITOR	10.00 50.0V RX TP	ケ ミ コ ン	
C226	UR867101	ELECTROLYTIC CAPACITOR	10.00 50.0V RX TP	ケ ミ コ ン	
C230	UR857470	ELECTROLYTIC CAPACITOR	47.00 35.0V RX TP	ケ ミ コ ン	
C234	UR857470	ELECTROLYTIC CAPACITOR	47.00 35.0V RX TP	ケ ミ コ ン	
C235	UA354391	POLYESTER FILM CAPACITOR	0.0390 50V J RX TP	マ イ ラ - コ ン	
C236	UA354391	POLYESTER FILM CAPACITOR	0.0390 50V J RX TP	マ イ ラ - コ ン	
C235	ZD517000	POLYESTER FILM CAPACITOR	0.039 63V J TP	マ イ ラ - コ ン	
C236	ZD517000	POLYESTER FILM CAPACITOR	0.039 63V J TP	マ イ ラ - コ ン	
C238	UR867101	ELECTROLYTIC CAPACITOR	10.00 50.0V RX TP	ケ ミ コ ン	
C251	UR838102	ELECTROLYTIC CAPACITOR	100.00 16.0V RX TP	ケ ミ コ ン	
C252	UR838102	ELECTROLYTIC CAPACITOR	100.00 16.0V RX TP	ケ ミ コ ン	
C253	UR857470	ELECTROLYTIC CAPACITOR	47.00 35.0V RX TP	ケ ミ コ ン	
C261	UR857470	ELECTROLYTIC CAPACITOR	47.00 35.0V RX TP	ケ ミ コ ン	
C262	UA354151	POLYESTER FILM CAPACITOR	0.0150 50V J RX TP	マ イ ラ - コ ン	
C262	ZD516500	POLYESTER FILM CAPACITOR	0.015 63V J TP	マ イ ラ - コ ン	
C263	UA354101	POLYESTER FILM CAPACITOR	0.0100 50V J RX TP	マ イ ラ - コ ン	
C263	ZD516300	POLYESTER FILM CAPACITOR	0.01 63V J TP	マ イ ラ - コ ン	
C264	UA35412R	POLYESTER FILM CAPACITOR	0.0120 50V J RX TP	マ イ ラ - コ ン	
C264	ZD516400	POLYESTER FILM CAPACITOR	0.012 63V J TP	マ イ ラ - コ ン	
C265	UA353390	POLYESTER FILM CAPACITOR	3900P 50V J RX TP	マ イ ラ - コ ン	
C265	ZD515800	POLYESTER FILM CAPACITOR	3900P 63V J TP	マ イ ラ - コ ン	
C268	UR866471	ELECTROLYTIC CAPACITOR	4.70 50.0V RX TP	ケ ミ コ ン	
C269	UR867472	ELECTROLYTIC CAPACITOR	47.00 50.0V RX TP	ケ ミ コ ン	
C273	UR866471	ELECTROLYTIC CAPACITOR	4.70 50.0V RX TP	ケ ミ コ ン	
C281	UR867221	ELECTROLYTIC CAPACITOR	22.00 50.0V RX TP	ケ ミ コ ン	
C284	UR857470	ELECTROLYTIC CAPACITOR	47.00 35.0V RX TP	ケ ミ コ ン	
C307	ZF740700	ELECTROLYTIC CAPACITOR	47.00 50.0V 2.5mm	ケ ミ コ ン	
C308	ZF740700	ELECTROLYTIC CAPACITOR	47.00 50.0V 2.5mm	ケ ミ コ ン	
C309	UR867221	ELECTROLYTIC CAPACITOR	22.00 50.0V RX TP	ケ ミ コ ン	
C310	UR867221	ELECTROLYTIC CAPACITOR	22.00 50.0V RX TP	ケ ミ コ ン	
C324	UR867101	ELECTROLYTIC CAPACITOR	10.00 50.0V RX TP	ケ ミ コ ン	
C326	UR867101	ELECTROLYTIC CAPACITOR	10.00 50.0V RX TP	ケ ミ コ ン	
C330	UR857470	ELECTROLYTIC CAPACITOR	47.00 35.0V RX TP	ケ ミ コ ン	
C335	UA354391	POLYESTER FILM CAPACITOR	0.0390 50V J RX TP	マ イ ラ - コ ン	
C335	ZD517000	POLYESTER FILM CAPACITOR	0.039 63V J TP	マ イ ラ - コ ン	
C336	UA354391	POLYESTER FILM CAPACITOR	0.0390 50V J RX TP	マ イ ラ - コ ン	
C336	ZD517000	POLYESTER FILM CAPACITOR	0.039 63V J TP	マ イ ラ - コ ン	
C338	UR867101	ELECTROLYTIC CAPACITOR	10.00 50.0V RX TP	ケ ミ コ ン	
C341	UU238220	ELECTROLYTIC CAPACITOR	220.00 16.0V RX TP	ケ ミ コ ン F W	
C344	UU238220	ELECTROLYTIC CAPACITOR	220.00 16.0V RX TP	ケ ミ コ ン F W	
C351	UR838102	ELECTROLYTIC CAPACITOR	100.00 16.0V RX TP	ケ ミ コ ン	
C352	UR838102	ELECTROLYTIC CAPACITOR	100.00 16.0V RX TP	ケ ミ コ ン	
C353	UR857470	ELECTROLYTIC CAPACITOR	47.00 35.0V RX TP	ケ ミ コ ン	
C361	UR857470	ELECTROLYTIC CAPACITOR	47.00 35.0V RX TP	ケ ミ コ ン	
C362	UA354151	POLYESTER FILM CAPACITOR	0.0150 50V J RX TP	マ イ ラ - コ ン	
C362	ZD516500	POLYESTER FILM CAPACITOR	0.015 63V J TP	マ イ ラ - コ ン	
C363	UA354101	POLYESTER FILM CAPACITOR	0.0100 50V J RX TP	マ イ ラ - コ ン	
C363	ZD516300	POLYESTER FILM CAPACITOR	0.01 63V J TP	マ イ ラ - コ ン	
C364	UA35412R	POLYESTER FILM CAPACITOR	0.0120 50V J RX TP	マ イ ラ - コ ン	
C364	ZD516400	POLYESTER FILM CAPACITOR	0.012 63V J TP	マ イ ラ - コ ン	
C365	UA353390	POLYESTER FILM CAPACITOR	3900P 50V J RX TP	マ イ ラ - コ ン	
C365	ZD515800	POLYESTER FILM CAPACITOR	3900P 63V J TP	マ イ ラ - コ ン	
C368	UR866471	ELECTROLYTIC CAPACITOR	4.70 50.0V RX TP	ケ ミ コ ン	
C369	UR867472	ELECTROLYTIC CAPACITOR	47.00 50.0V RX TP	ケ ミ コ ン	
C373	UR866471	ELECTROLYTIC CAPACITOR	4.70 50.0V RX TP	ケ ミ コ ン	
C381	UR867221	ELECTROLYTIC CAPACITOR	22.00 50.0V RX TP	ケ ミ コ ン	

*: New Parts

MIX7

REF NO.	PART NO.	DESCRIPTION	部 品 名	REMARKS	QTY
C384	UR857470	ELECTROLYTIC CAPACITOR	47.00 35.0V RX TP	ケ ≡ コ ン	
C407	ZF740700	ELECTROLYTIC CAPACITOR	47.00 50.0V 2.5mm	ケ ≡ コ ン	
C408	ZF740700	ELECTROLYTIC CAPACITOR	47.00 50.0V 2.5mm	ケ ≡ コ ン	
C413	UA354391	POLYESTER FILM CAPACITOR	0.0390 50V J RX TP	マ イ ラ - コ ン	
C416	UR857470	ELECTROLYTIC CAPACITOR	47.00 35.0V RX TP	ケ ≡ コ ン	
C417	UR877470	ELECTROLYTIC CAPACITOR	47.00 63.0V RX TP	ケ ≡ コ ン	
C418	UR877470	ELECTROLYTIC CAPACITOR	47.00 63.0V RX TP	ケ ≡ コ ン	
C424	UR867101	ELECTROLYTIC CAPACITOR	10.00 50.0V RX TP	ケ ≡ コ ン	
C426	UR867101	ELECTROLYTIC CAPACITOR	10.00 50.0V RX TP	ケ ≡ コ ン	
C451	UR838102	ELECTROLYTIC CAPACITOR	100.00 16.0V RX TP	ケ ≡ コ ン	
C452	UR838102	ELECTROLYTIC CAPACITOR	100.00 16.0V RX TP	ケ ≡ コ ン	
C453	UR857470	ELECTROLYTIC CAPACITOR	47.00 35.0V RX TP	ケ ≡ コ ン	
C461	UR857470	ELECTROLYTIC CAPACITOR	47.00 35.0V RX TP	ケ ≡ コ ン	
C462	UA354151	POLYESTER FILM CAPACITOR	0.0150 50V J RX TP	マ イ ラ - コ ン	}
C462	ZD516500	POLYESTER FILM CAPACITOR	0.015 63V J TP	マ イ ラ - コ ン	
C463	UA354101	POLYESTER FILM CAPACITOR	0.0100 50V J RX TP	マ イ ラ - コ ン	}
C463	ZD516300	POLYESTER FILM CAPACITOR	0.01 63V J TP	マ イ ラ - コ ン	
C464	UA35412R	POLYESTER FILM CAPACITOR	0.0120 50V J RX TP	マ イ ラ - コ ン	}
C464	ZD516400	POLYESTER FILM CAPACITOR	0.012 63V J TP	マ イ ラ - コ ン	
C465	UA353390	POLYESTER FILM CAPACITOR	3900P 50V J RX TP	マ イ ラ - コ ン	}
C465	ZD515800	POLYESTER FILM CAPACITOR	3900P 63V J TP	マ イ ラ - コ ン	
C468	UR866471	ELECTROLYTIC CAPACITOR	4.70 50.0V RX TP	ケ ≡ コ ン	
C469	UR867472	ELECTROLYTIC CAPACITOR	47.00 50.0V RX TP	ケ ≡ コ ン	
C473	UR866471	ELECTROLYTIC CAPACITOR	4.70 50.0V RX TP	ケ ≡ コ ン	
C481	UR867221	ELECTROLYTIC CAPACITOR	22.00 50.0V RX TP	ケ ≡ コ ン	
C484	UR857470	ELECTROLYTIC CAPACITOR	47.00 35.0V RX TP	ケ ≡ コ ン	
C507	ZC714900	ELECTROLYTIC CAPACITOR	22.00 50.0V 2.5MM	ケ ≡ コ ン K L	
C508	ZC714900	ELECTROLYTIC CAPACITOR	22.00 50.0V 2.5MM	ケ ≡ コ ン K L	
C530	UR857470	ELECTROLYTIC CAPACITOR	47.00 35.0V RX TP	ケ ≡ コ ン	
C541	UR867101	ELECTROLYTIC CAPACITOR	10.00 50.0V RX TP	ケ ≡ コ ン	
C561	UR857470	ELECTROLYTIC CAPACITOR	47.00 35.0V RX TP	ケ ≡ コ ン	
C562	UA354151	POLYESTER FILM CAPACITOR	0.0150 50V J RX TP	マ イ ラ - コ ン	}
C562	ZD516500	POLYESTER FILM CAPACITOR	0.015 63V J TP	マ イ ラ - コ ン	
C563	UA354101	POLYESTER FILM CAPACITOR	0.0100 50V J RX TP	マ イ ラ - コ ン	}
C563	ZD516300	POLYESTER FILM CAPACITOR	0.01 63V J TP	マ イ ラ - コ ン	
C564	UA35412R	POLYESTER FILM CAPACITOR	0.0120 50V J RX TP	マ イ ラ - コ ン	}
C564	ZD516400	POLYESTER FILM CAPACITOR	0.012 63V J TP	マ イ ラ - コ ン	
C565	UA353390	POLYESTER FILM CAPACITOR	3900P 50V J RX TP	マ イ ラ - コ ン	}
C565	ZD515800	POLYESTER FILM CAPACITOR	3900P 63V J TP	マ イ ラ - コ ン	
C568	UR857470	ELECTROLYTIC CAPACITOR	47.00 35.0V RX TP	ケ ≡ コ ン	
C569	UR867101	ELECTROLYTIC CAPACITOR	10.00 50.0V RX TP	ケ ≡ コ ン	
C573	UR866471	ELECTROLYTIC CAPACITOR	4.70 50.0V RX TP	ケ ≡ コ ン	
C581	UR867221	ELECTROLYTIC CAPACITOR	22.00 50.0V RX TP	ケ ≡ コ ン	
C584	UR867101	ELECTROLYTIC CAPACITOR	10.00 50.0V RX TP	ケ ≡ コ ン	
C585	UR867101	ELECTROLYTIC CAPACITOR	10.00 50.0V RX TP	ケ ≡ コ ン	
C641	UR867101	ELECTROLYTIC CAPACITOR	10.00 50.0V RX TP	ケ ≡ コ ン	
C661	UR857470	ELECTROLYTIC CAPACITOR	47.00 35.0V RX TP	ケ ≡ コ ン	
C662	UA354151	POLYESTER FILM CAPACITOR	0.0150 50V J RX TP	マ イ ラ - コ ン	}
C662	ZD516500	POLYESTER FILM CAPACITOR	0.015 63V J TP	マ イ ラ - コ ン	
C663	UA354101	POLYESTER FILM CAPACITOR	0.0100 50V J RX TP	マ イ ラ - コ ン	}
C663	ZD516300	POLYESTER FILM CAPACITOR	0.01 63V J TP	マ イ ラ - コ ン	
C664	UA35412R	POLYESTER FILM CAPACITOR	0.0120 50V J RX TP	マ イ ラ - コ ン	}
C664	ZD516400	POLYESTER FILM CAPACITOR	0.012 63V J TP	マ イ ラ - コ ン	
C665	UA353390	POLYESTER FILM CAPACITOR	3900P 50V J RX TP	マ イ ラ - コ ン	}
C665	ZD515800	POLYESTER FILM CAPACITOR	3900P 63V J TP	マ イ ラ - コ ン	
C668	UR857470	ELECTROLYTIC CAPACITOR	47.00 35.0V RX TP	ケ ≡ コ ン	
C669	UR867101	ELECTROLYTIC CAPACITOR	10.00 50.0V RX TP	ケ ≡ コ ン	
C681	UR867221	ELECTROLYTIC CAPACITOR	22.00 50.0V RX TP	ケ ≡ コ ン	
C684	UR867101	ELECTROLYTIC CAPACITOR	10.00 50.0V RX TP	ケ ≡ コ ン	
C685	UR867101	ELECTROLYTIC CAPACITOR	10.00 50.0V RX TP	ケ ≡ コ ン	
C707	ZC714900	ELECTROLYTIC CAPACITOR	22.00 50.0V 2.5MM	ケ ≡ コ ン K L	
C708	ZC714900	ELECTROLYTIC CAPACITOR	22.00 50.0V 2.5MM	ケ ≡ コ ン K L	
C730	UR857470	ELECTROLYTIC CAPACITOR	47.00 35.0V RX TP	ケ ≡ コ ン	
C741	UR867101	ELECTROLYTIC CAPACITOR	10.00 50.0V RX TP	ケ ≡ コ ン	
C761	UR857470	ELECTROLYTIC CAPACITOR	47.00 35.0V RX TP	ケ ≡ コ ン	
C762	UA354151	POLYESTER FILM CAPACITOR	0.0150 50V J RX TP	マ イ ラ - コ ン	}
C762	ZD516500	POLYESTER FILM CAPACITOR	0.015 63V J TP	マ イ ラ - コ ン	
C763	UA354101	POLYESTER FILM CAPACITOR	0.0100 50V J RX TP	マ イ ラ - コ ン	}
C763	ZD516300	POLYESTER FILM CAPACITOR	0.01 63V J TP	マ イ ラ - コ ン	
C764	UA35412R	POLYESTER FILM CAPACITOR	0.0120 50V J RX TP	マ イ ラ - コ ン	

*: New Parts

MIX7

REF NO.	PART NO.	DESCRIPTION		部 品 名	REMARKS	QTY
CB65	ZD515800	POLYESTER FILM CAPACITOR	3900P 63V J TP	マ イ ラ ー コ ン	}	
CB68	UR857470	ELECTROLYTIC CAPACITOR	47.00 35.0V RX TP	ケ ッ コ ン		
CB69	UR867101	ELECTROLYTIC CAPACITOR	10.00 50.0V RX TP	ケ ッ コ ン		
CB73	UR866471	ELECTROLYTIC CAPACITOR	4.70 50.0V RX TP	ケ ッ コ ン		
CB81	UR867221	ELECTROLYTIC CAPACITOR	22.00 50.0V RX TP	ケ ッ コ ン		
CB84	UR867101	ELECTROLYTIC CAPACITOR	10.00 50.0V RX TP	ケ ッ コ ン		
CB85	UR867101	ELECTROLYTIC CAPACITOR	10.00 50.0V RX TP	ケ ッ コ ン		
CC41	UR867101	ELECTROLYTIC CAPACITOR	10.00 50.0V RX TP	ケ ッ コ ン		
CC61	UR857470	ELECTROLYTIC CAPACITOR	47.00 35.0V RX TP	ケ ッ コ ン		
CC62	UA354151	POLYESTER FILM CAPACITOR	0.0150 50V J RX TP	マ イ ラ ー コ ン		
CC62	ZD516500	POLYESTER FILM CAPACITOR	0.015 63V J TP	マ イ ラ ー コ ン		
CC63	UA354101	POLYESTER FILM CAPACITOR	0.0100 50V J RX TP	マ イ ラ ー コ ン		
CC63	ZD516300	POLYESTER FILM CAPACITOR	0.01 63V J TP	マ イ ラ ー コ ン		
CC64	UA35412R	POLYESTER FILM CAPACITOR	0.0120 50V J RX TP	マ イ ラ ー コ ン		
CC64	ZD516400	POLYESTER FILM CAPACITOR	0.012 63V J TP	マ イ ラ ー コ ン		
CC65	UA353390	POLYESTER FILM CAPACITOR	3900P 50V J RX TP	マ イ ラ ー コ ン		
CC65	ZD515800	POLYESTER FILM CAPACITOR	3900P 63V J TP	マ イ ラ ー コ ン		
CC68	UR857470	ELECTROLYTIC CAPACITOR	47.00 35.0V RX TP	ケ ッ コ ン		
CC69	UR867101	ELECTROLYTIC CAPACITOR	10.00 50.0V RX TP	ケ ッ コ ン		
CC81	UR867221	ELECTROLYTIC CAPACITOR	22.00 50.0V RX TP	ケ ッ コ ン		
CC84	UR867101	ELECTROLYTIC CAPACITOR	10.00 50.0V RX TP	ケ ッ コ ン		
CC85	UR867101	ELECTROLYTIC CAPACITOR	10.00 50.0V RX TP	ケ ッ コ ン		
CD01	UR866471	ELECTROLYTIC CAPACITOR	4.70 50.0V RX TP	ケ ッ コ ン		
CD05	UR857470	ELECTROLYTIC CAPACITOR	47.00 35.0V RX TP	ケ ッ コ ン		
CD06	UR857470	ELECTROLYTIC CAPACITOR	47.00 35.0V RX TP	ケ ッ コ ン		
CM07	UR867101	ELECTROLYTIC CAPACITOR	10.00 50.0V RX TP	ケ ッ コ ン		
-10	UR867101	ELECTROLYTIC CAPACITOR	10.00 50.0V RX TP	ケ ッ コ ン		
CP02	UU24822R	ELECTROLYTIC CAPACITOR	220.00 25.0V RX TP	ケ ッ コ ン F W		
CP04	UU24822R	ELECTROLYTIC CAPACITOR	220.00 25.0V RX TP	ケ ッ コ ン F W		
CP06	UR877470	ELECTROLYTIC CAPACITOR	47.00 63.0V RX TP	ケ ッ コ ン		
CS09	UR857220	ELECTROLYTIC CAPACITOR	22.00 35.0V RX TP	ケ ッ コ ン		
CS10	UR857220	ELECTROLYTIC CAPACITOR	22.00 35.0V RX TP	ケ ッ コ ン		
CS15	UR857470	ELECTROLYTIC CAPACITOR	47.00 35.0V RX TP	ケ ッ コ ン		
CS16	UR857470	ELECTROLYTIC CAPACITOR	47.00 35.0V RX TP	ケ ッ コ ン		
CS43	UR867221	ELECTROLYTIC CAPACITOR	22.00 50.0V RX TP	ケ ッ コ ン		
CS44	UR867221	ELECTROLYTIC CAPACITOR	22.00 50.0V RX TP	ケ ッ コ ン		
CS51	UR857470	ELECTROLYTIC CAPACITOR	47.00 35.0V RX TP	ケ ッ コ ン		
-54	UR857470	ELECTROLYTIC CAPACITOR	47.00 35.0V RX TP	ケ ッ コ ン		
CU09	UR857220	ELECTROLYTIC CAPACITOR	22.00 35.0V RX TP	ケ ッ コ ン		
CU10	UR857220	ELECTROLYTIC CAPACITOR	22.00 35.0V RX TP	ケ ッ コ ン		
CU15	UR857470	ELECTROLYTIC CAPACITOR	47.00 35.0V RX TP	ケ ッ コ ン		
CU16	UR857470	ELECTROLYTIC CAPACITOR	47.00 35.0V RX TP	ケ ッ コ ン		
CU41	UR867221	ELECTROLYTIC CAPACITOR	22.00 50.0V RX TP	ケ ッ コ ン		
CU42	UR867221	ELECTROLYTIC CAPACITOR	22.00 50.0V RX TP	ケ ッ コ ン		
CU51	UR857470	ELECTROLYTIC CAPACITOR	47.00 35.0V RX TP	ケ ッ コ ン		
CU52	UR857470	ELECTROLYTIC CAPACITOR	47.00 35.0V RX TP	ケ ッ コ ン		
EM01	VI243100	EMI FILTER (CHIP)	DSS6NB32A271Q93A	L C フ ィ ル タ ー		
EM02	VI243100	EMI FILTER (CHIP)	DSS6NB32A271Q93A	L C フ ィ ル タ ー		
LD101	WP841300	LED GREEN	HFG203PJW-3-B	L E D	D LEVEL(CH1)	
LD201	WP841300	LED GREEN	HFG203PJW-3-B	L E D	D LEVEL(CH2)	
LD301	WP841300	LED GREEN	HFG203PJW-3-B	L E D	D LEVEL(CH3)	
LD401	WP841300	LED GREEN	HFG203PJW-3-B	L E D	D LEVEL(CH4)	
LD501	WP841300	LED GREEN	HFG203PJW-3-B	L E D	D LEVEL(CH5/6)	
LD701	WP841300	LED GREEN	HFG203PJW-3-B	L E D	D LEVEL(CH7/8)	
LD901	WP841300	LED GREEN	HFG203PJW-3-B	L E D	D LEVEL(CH9/10)	
LDB01	WP841300	LED GREEN	HFG203PJW-3-B	L E D	D LEVEL(CH11/12)	
LDD03	WP841300	LED GREEN	HFG203PJW-3-B	L E D	D LEVEL(FX RTN)	
LDD05	WP841200	LED RED	HFR203PJW-3-B	L E D	D LIMIT CH B	
LDD06	WP841200	LED RED	HFR203PJW-3-B	L E D	D LIMIT CH A	
LDD07	WP841200	LED RED	HFR203PJW-3-B	L E D	D PROTECTION CH B	
LDD08	WP841200	LED RED	HFR203PJW-3-B	L E D	D PROTECTION CH A	
LDD09	WP841400	LED YELLOW	HFY103PJW-3-B	L E D	D MODE L-R/AUX1	
LDD10	WP841400	LED YELLOW	HFY103PJW-3-B	L E D	D MODE STREO	
C103	US062472	CERAMIC CAPACITOR (CHIP)	470P 50V J RECT.	チ ッ プ セ ラ (S L)		
C105	US062472	CERAMIC CAPACITOR (CHIP)	470P 50V J RECT.	チ ッ プ セ ラ (S L)		
C121	US062472	CERAMIC CAPACITOR (CHIP)	470P 50V J RECT.	チ ッ プ セ ラ (S L)		
C122	US062472	CERAMIC CAPACITOR (CHIP)	470P 50V J RECT.	チ ッ プ セ ラ (S L)		
C123	US062271	CERAMIC CAPACITOR (CHIP)	270P 50V J RECT.	チ ッ プ セ ラ (S L)		
C128	US062271	CERAMIC CAPACITOR (CHIP)	270P 50V J RECT.	チ ッ プ セ ラ (S L)		
C156	US061151	CERAMIC CAPACITOR (CHIP)	15P 50V J RECT.	チ ッ プ セ ラ (C H)		

*: New Parts

MIX7

REF NO.	PART NO.	DESCRIPTION		部 品 名	REMARKS	QTY
L701	WQ533300	COIL INDUCTOR (CHIP)	BLM18PG221SN1D	チ ッ プ イ ン ダ ク タ		
L702	WQ533300	COIL INDUCTOR (CHIP)	BLM18PG221SN1D	チ ッ プ イ ン ダ ク タ		
L901	WQ533300	COIL INDUCTOR (CHIP)	BLM18PG221SN1D	チ ッ プ イ ン ダ ク タ		
L902	WQ533300	COIL INDUCTOR (CHIP)	BLM18PG221SN1D	チ ッ プ イ ン ダ ク タ		
LB01	WQ533300	COIL INDUCTOR (CHIP)	BLM18PG221SN1D	チ ッ プ イ ン ダ ク タ		
LB02	WQ533300	COIL INDUCTOR (CHIP)	BLM18PG221SN1D	チ ッ プ イ ン ダ ク タ		
R101	RF458150	CARBON RESISTOR (CHIP)	150.0K D RECT.	チ ッ プ 抵 抗		
R103	ZQ907500	CARBON RESISTOR (CHIP)	6.8K 1/4W D 2012	チ ッ プ 抵 抗		
R104	ZQ907500	CARBON RESISTOR (CHIP)	6.8K 1/4W D 2012	チ ッ プ 抵 抗		
R105	RF458182	CARBON RESISTOR (CHIP)	180.0K D RECT.	チ ッ プ 抵 抗		
R106	RF458182	CARBON RESISTOR (CHIP)	180.0K D RECT.	チ ッ プ 抵 抗		
R108	RF456271	CARBON RESISTOR (CHIP)	2.7K D RECT.	チ ッ プ 抵 抗		
R121	RF455391	CARBON RESISTOR (CHIP)	390.0 D RECT.	チ ッ プ 抵 抗		
R122	RF455391	CARBON RESISTOR (CHIP)	390.0 D RECT.	チ ッ プ 抵 抗		
R123	RF456102	CARBON RESISTOR (CHIP)	1.0K D RECT.	チ ッ プ 抵 抗		
R124	RF456102	CARBON RESISTOR (CHIP)	1.0K D RECT.	チ ッ プ 抵 抗		
R125	RF456271	CARBON RESISTOR (CHIP)	2.7K D RECT.	チ ッ プ 抵 抗		
R126	RF458150	CARBON RESISTOR (CHIP)	150.0K D RECT.	チ ッ プ 抵 抗		
R128	RF456271	CARBON RESISTOR (CHIP)	2.7K D RECT.	チ ッ プ 抵 抗		
R129	RF458150	CARBON RESISTOR (CHIP)	150.0K D RECT.	チ ッ プ 抵 抗		
R132	RD357102	CARBON RESISTOR (CHIP)	10.0K 63M J RECT.	チ ッ プ 抵 抗		
R134	RD358102	CARBON RESISTOR (CHIP)	100.0K 63M J RECT.	チ ッ プ 抵 抗		
R137	RD358102	CARBON RESISTOR (CHIP)	100.0K 63M J RECT.	チ ッ プ 抵 抗		
R138	RD358102	CARBON RESISTOR (CHIP)	100.0K 63M J RECT.	チ ッ プ 抵 抗		
R142	RD357562	CARBON RESISTOR (CHIP)	56.0K 63M J RECT.	チ ッ プ 抵 抗		
R144	RD357392	CARBON RESISTOR (CHIP)	39.0K 63M J RECT.	チ ッ プ 抵 抗		
R145	RD356122	CARBON RESISTOR (CHIP)	1.2K 63M J RECT.	チ ッ プ 抵 抗		
R148	RD357392	CARBON RESISTOR (CHIP)	39.0K 63M J RECT.	チ ッ プ 抵 抗		
R161	RD357102	CARBON RESISTOR (CHIP)	10.0K 63M J RECT.	チ ッ プ 抵 抗		
R162	RD355681	CARBON RESISTOR (CHIP)	680.0 63M J RECT.	チ ッ プ 抵 抗		
R163	RD356272	CARBON RESISTOR (CHIP)	2.7K 63M J RECT.	チ ッ プ 抵 抗		
R164	RD357102	CARBON RESISTOR (CHIP)	10.0K 63M J RECT.	チ ッ プ 抵 抗		
R165	RD357102	CARBON RESISTOR (CHIP)	10.0K 63M J RECT.	チ ッ プ 抵 抗		
R166	RD355681	CARBON RESISTOR (CHIP)	680.0 63M J RECT.	チ ッ プ 抵 抗		
R167	RD356272	CARBON RESISTOR (CHIP)	2.7K 63M J RECT.	チ ッ プ 抵 抗		
R171	RD356682	CARBON RESISTOR (CHIP)	6.8K 63M J RECT.	チ ッ プ 抵 抗		
R177	RD156271	CARBON RESISTOR (CHIP)	2.7K 1/4 J TP	チ ッ プ 抵 抗		
R181	RD356561	CARBON RESISTOR (CHIP)	5.6K 63M J RECT.	チ ッ プ 抵 抗		
R183	RD355182	CARBON RESISTOR (CHIP)	180.0 63M J RECT.	チ ッ プ 抵 抗		
R193	RD356561	CARBON RESISTOR (CHIP)	5.6K 63M J RECT.	チ ッ プ 抵 抗		
R194	RD357392	CARBON RESISTOR (CHIP)	39.0K 63M J RECT.	チ ッ プ 抵 抗		
R203	ZQ907500	CARBON RESISTOR (CHIP)	6.8K 1/4W D 2012	チ ッ プ 抵 抗		
R204	ZQ907500	CARBON RESISTOR (CHIP)	6.8K 1/4W D 2012	チ ッ プ 抵 抗		
R205	RF458182	CARBON RESISTOR (CHIP)	180.0K D RECT.	チ ッ プ 抵 抗		
R206	RF458182	CARBON RESISTOR (CHIP)	180.0K D RECT.	チ ッ プ 抵 抗		
R208	RF456271	CARBON RESISTOR (CHIP)	2.7K D RECT.	チ ッ プ 抵 抗		
R221	RF455391	CARBON RESISTOR (CHIP)	390.0 D RECT.	チ ッ プ 抵 抗		
R222	RF455391	CARBON RESISTOR (CHIP)	390.0 D RECT.	チ ッ プ 抵 抗		
R223	RF456102	CARBON RESISTOR (CHIP)	1.0K D RECT.	チ ッ プ 抵 抗		
R224	RF456102	CARBON RESISTOR (CHIP)	1.0K D RECT.	チ ッ プ 抵 抗		
R225	RF456271	CARBON RESISTOR (CHIP)	2.7K D RECT.	チ ッ プ 抵 抗		
R226	RF458150	CARBON RESISTOR (CHIP)	150.0K D RECT.	チ ッ プ 抵 抗		
R228	RF456271	CARBON RESISTOR (CHIP)	2.7K D RECT.	チ ッ プ 抵 抗		
R229	RF458150	CARBON RESISTOR (CHIP)	150.0K D RECT.	チ ッ プ 抵 抗		
R234	RD358102	CARBON RESISTOR (CHIP)	100.0K 63M J RECT.	チ ッ プ 抵 抗		
R237	RD358102	CARBON RESISTOR (CHIP)	100.0K 63M J RECT.	チ ッ プ 抵 抗		
R238	RD358102	CARBON RESISTOR (CHIP)	100.0K 63M J RECT.	チ ッ プ 抵 抗		
R242	RD357562	CARBON RESISTOR (CHIP)	56.0K 63M J RECT.	チ ッ プ 抵 抗		
R244	RD357392	CARBON RESISTOR (CHIP)	39.0K 63M J RECT.	チ ッ プ 抵 抗		
R245	RD356122	CARBON RESISTOR (CHIP)	1.2K 63M J RECT.	チ ッ プ 抵 抗		
R248	RD357392	CARBON RESISTOR (CHIP)	39.0K 63M J RECT.	チ ッ プ 抵 抗		
R261	RD357102	CARBON RESISTOR (CHIP)	10.0K 63M J RECT.	チ ッ プ 抵 抗		
R262	RD355681	CARBON RESISTOR (CHIP)	680.0 63M J RECT.	チ ッ プ 抵 抗		
R263	RD356272	CARBON RESISTOR (CHIP)	2.7K 63M J RECT.	チ ッ プ 抵 抗		
R264	RD357102	CARBON RESISTOR (CHIP)	10.0K 63M J RECT.	チ ッ プ 抵 抗		
R265	RD357102	CARBON RESISTOR (CHIP)	10.0K 63M J RECT.	チ ッ プ 抵 抗		
R266	RD355681	CARBON RESISTOR (CHIP)	680.0 63M J RECT.	チ ッ プ 抵 抗		
R267	RD356272	CARBON RESISTOR (CHIP)	2.7K 63M J RECT.	チ ッ プ 抵 抗		
R271	RD356682	CARBON RESISTOR (CHIP)	6.8K 63M J RECT.	チ ッ プ 抵 抗		
R277	RD156271	CARBON RESISTOR (CHIP)	2.7K 1/4 J TP	チ ッ プ 抵 抗		

*: New Parts

MIX7

REF NO.	PART NO.	DESCRIPTION	部	品	名	REMARKS	QTY
R281	RD356561	CARBON RESISTOR (CHIP)	5.6K	63M	J RECT.	チ ッ ブ 抵 抗	
R283	RD355182	CARBON RESISTOR (CHIP)	180.0	63M	J RECT.	チ ッ ブ 抵 抗	
R291	RD35718R	CARBON RESISTOR (CHIP)	18.0K	63M	J RECT.	チ ッ ブ 抵 抗	
R292	RD35718R	CARBON RESISTOR (CHIP)	18.0K	63M	J RECT.	チ ッ ブ 抵 抗	
R293	RD356561	CARBON RESISTOR (CHIP)	5.6K	63M	J RECT.	チ ッ ブ 抵 抗	
R294	RD357392	CARBON RESISTOR (CHIP)	39.0K	63M	J RECT.	チ ッ ブ 抵 抗	
* R303	ZQ907500	CARBON RESISTOR (CHIP)	6.8K	1/4W	D 2012	チ ッ ブ 抵 抗	
* R304	ZQ907500	CARBON RESISTOR (CHIP)	6.8K	1/4W	D 2012	チ ッ ブ 抵 抗	
R305	RF458182	CARBON RESISTOR (CHIP)	180.0K		D RECT.	チ ッ ブ 抵 抗	
R306	RF458182	CARBON RESISTOR (CHIP)	180.0K		D RECT.	チ ッ ブ 抵 抗	
R321	RF455391	CARBON RESISTOR (CHIP)	390.0		D RECT.	チ ッ ブ 抵 抗	
R322	RF455391	CARBON RESISTOR (CHIP)	390.0		D RECT.	チ ッ ブ 抵 抗	
R323	RF456102	CARBON RESISTOR (CHIP)	1.0K		D RECT.	チ ッ ブ 抵 抗	
R324	RF456102	CARBON RESISTOR (CHIP)	1.0K		D RECT.	チ ッ ブ 抵 抗	
R325	RF456271	CARBON RESISTOR (CHIP)	2.7K		D RECT.	チ ッ ブ 抵 抗	
R326	RF458150	CARBON RESISTOR (CHIP)	150.0K		D RECT.	チ ッ ブ 抵 抗	
R328	RF456271	CARBON RESISTOR (CHIP)	2.7K		D RECT.	チ ッ ブ 抵 抗	
R329	RF458150	CARBON RESISTOR (CHIP)	150.0K		D RECT.	チ ッ ブ 抵 抗	
R334	RD358102	CARBON RESISTOR (CHIP)	100.0K	63M	J RECT.	チ ッ ブ 抵 抗	
R337	RD358102	CARBON RESISTOR (CHIP)	100.0K	63M	J RECT.	チ ッ ブ 抵 抗	
R338	RD358102	CARBON RESISTOR (CHIP)	100.0K	63M	J RECT.	チ ッ ブ 抵 抗	
R344	RD357392	CARBON RESISTOR (CHIP)	39.0K	63M	J RECT.	チ ッ ブ 抵 抗	
R345	RD356122	CARBON RESISTOR (CHIP)	1.2K	63M	J RECT.	チ ッ ブ 抵 抗	
R348	RD357392	CARBON RESISTOR (CHIP)	39.0K	63M	J RECT.	チ ッ ブ 抵 抗	
R361	RD357102	CARBON RESISTOR (CHIP)	10.0K	63M	J RECT.	チ ッ ブ 抵 抗	
R362	RD355681	CARBON RESISTOR (CHIP)	680.0	63M	J RECT.	チ ッ ブ 抵 抗	
R363	RD356272	CARBON RESISTOR (CHIP)	2.7K	63M	J RECT.	チ ッ ブ 抵 抗	
R364	RD357102	CARBON RESISTOR (CHIP)	10.0K	63M	J RECT.	チ ッ ブ 抵 抗	
R365	RD357102	CARBON RESISTOR (CHIP)	10.0K	63M	J RECT.	チ ッ ブ 抵 抗	
R366	RD355681	CARBON RESISTOR (CHIP)	680.0	63M	J RECT.	チ ッ ブ 抵 抗	
R367	RD356272	CARBON RESISTOR (CHIP)	2.7K	63M	J RECT.	チ ッ ブ 抵 抗	
R371	RD356682	CARBON RESISTOR (CHIP)	6.8K	63M	J RECT.	チ ッ ブ 抵 抗	
R377	RD156271	CARBON RESISTOR (CHIP)	2.7K	1/4	J TP	チ ッ ブ 抵 抗	
R391	RD35718R	CARBON RESISTOR (CHIP)	18.0K	63M	J RECT.	チ ッ ブ 抵 抗	
R392	RD35718R	CARBON RESISTOR (CHIP)	18.0K	63M	J RECT.	チ ッ ブ 抵 抗	
R393	RD356561	CARBON RESISTOR (CHIP)	5.6K	63M	J RECT.	チ ッ ブ 抵 抗	
R394	RD357392	CARBON RESISTOR (CHIP)	39.0K	63M	J RECT.	チ ッ ブ 抵 抗	
* R403	ZQ907500	CARBON RESISTOR (CHIP)	6.8K	1/4W	D 2012	チ ッ ブ 抵 抗	
* R404	ZQ907500	CARBON RESISTOR (CHIP)	6.8K	1/4W	D 2012	チ ッ ブ 抵 抗	
R405	RD359470	CARBON RESISTOR (CHIP)	4.7M	63M	J RECT.	チ ッ ブ 抵 抗	
R406	RD359470	CARBON RESISTOR (CHIP)	4.7M	63M	J RECT.	チ ッ ブ 抵 抗	
R407	RF458221	CARBON RESISTOR (CHIP)	220.0K		D RECT.	チ ッ ブ 抵 抗	
R408	RF458221	CARBON RESISTOR (CHIP)	220.0K		D RECT.	チ ッ ブ 抵 抗	
R409	RF456271	CARBON RESISTOR (CHIP)	2.7K		D RECT.	チ ッ ブ 抵 抗	
R410	RF456271	CARBON RESISTOR (CHIP)	2.7K		D RECT.	チ ッ ブ 抵 抗	
R413	RF456271	CARBON RESISTOR (CHIP)	2.7K		D RECT.	チ ッ ブ 抵 抗	
R414	RF456271	CARBON RESISTOR (CHIP)	2.7K		D RECT.	チ ッ ブ 抵 抗	
R419	RD358102	CARBON RESISTOR (CHIP)	100.0K	63M	J RECT.	チ ッ ブ 抵 抗	
R421	RF455391	CARBON RESISTOR (CHIP)	390.0		D RECT.	チ ッ ブ 抵 抗	
R422	RF455391	CARBON RESISTOR (CHIP)	390.0		D RECT.	チ ッ ブ 抵 抗	
R423	RF456102	CARBON RESISTOR (CHIP)	1.0K		D RECT.	チ ッ ブ 抵 抗	
R424	RF456102	CARBON RESISTOR (CHIP)	1.0K		D RECT.	チ ッ ブ 抵 抗	
R425	RF456271	CARBON RESISTOR (CHIP)	2.7K		D RECT.	チ ッ ブ 抵 抗	
R426	RF458150	CARBON RESISTOR (CHIP)	150.0K		D RECT.	チ ッ ブ 抵 抗	
R428	RF456271	CARBON RESISTOR (CHIP)	2.7K		D RECT.	チ ッ ブ 抵 抗	
R429	RF458150	CARBON RESISTOR (CHIP)	150.0K		D RECT.	チ ッ ブ 抵 抗	
R442	RD357562	CARBON RESISTOR (CHIP)	56.0K	63M	J RECT.	チ ッ ブ 抵 抗	
R444	RD357392	CARBON RESISTOR (CHIP)	39.0K	63M	J RECT.	チ ッ ブ 抵 抗	
R445	RD356122	CARBON RESISTOR (CHIP)	1.2K	63M	J RECT.	チ ッ ブ 抵 抗	
R448	RD357392	CARBON RESISTOR (CHIP)	39.0K	63M	J RECT.	チ ッ ブ 抵 抗	
R461	RD357102	CARBON RESISTOR (CHIP)	10.0K	63M	J RECT.	チ ッ ブ 抵 抗	
R462	RD355681	CARBON RESISTOR (CHIP)	680.0	63M	J RECT.	チ ッ ブ 抵 抗	
R463	RD356272	CARBON RESISTOR (CHIP)	2.7K	63M	J RECT.	チ ッ ブ 抵 抗	
R464	RD357102	CARBON RESISTOR (CHIP)	10.0K	63M	J RECT.	チ ッ ブ 抵 抗	
R465	RD357102	CARBON RESISTOR (CHIP)	10.0K	63M	J RECT.	チ ッ ブ 抵 抗	
R466	RD355681	CARBON RESISTOR (CHIP)	680.0	63M	J RECT.	チ ッ ブ 抵 抗	
R467	RD356272	CARBON RESISTOR (CHIP)	2.7K	63M	J RECT.	チ ッ ブ 抵 抗	
R471	RD356682	CARBON RESISTOR (CHIP)	6.8K	63M	J RECT.	チ ッ ブ 抵 抗	
R477	RD156271	CARBON RESISTOR (CHIP)	2.7K	1/4	J TP	チ ッ ブ 抵 抗	
R481	RD356561	CARBON RESISTOR (CHIP)	5.6K	63M	J RECT.	チ ッ ブ 抵 抗	

*: New Parts

MIX7

REF NO.	PART NO.	DESCRIPTION		部	品	名	REMARKS	QTY
R491	RD35718R	CARBON RESISTOR (CHIP)	18.0K 63M J RECT.	チ	ッ	ブ 抵 抗		
R492	RD35718R	CARBON RESISTOR (CHIP)	18.0K 63M J RECT.	チ	ッ	ブ 抵 抗		
R493	RD356561	CARBON RESISTOR (CHIP)	5.6K 63M J RECT.	チ	ッ	ブ 抵 抗		
R494	RD357392	CARBON RESISTOR (CHIP)	39.0K 63M J RECT.	チ	ッ	ブ 抵 抗		
* R503	ZQ907500	CARBON RESISTOR (CHIP)	6.8K 1/4W D 2012	チ	ッ	ブ 抵 抗		
* R504	ZQ907500	CARBON RESISTOR (CHIP)	6.8K 1/4W D 2012	チ	ッ	ブ 抵 抗		
R521	RF455471	CARBON RESISTOR (CHIP)	470.0 D RECT.	チ	ッ	ブ 抵 抗		
R522	RF455471	CARBON RESISTOR (CHIP)	470.0 D RECT.	チ	ッ	ブ 抵 抗		
R523	RF456121	CARBON RESISTOR (CHIP)	1.2K D 1608	チ	ッ	ブ 抵 抗		
R524	RF456121	CARBON RESISTOR (CHIP)	1.2K D 1608	チ	ッ	ブ 抵 抗		
R541	RD357681	CARBON RESISTOR (CHIP)	68.0K 63M J RECT.	チ	ッ	ブ 抵 抗		
R542	RD356682	CARBON RESISTOR (CHIP)	6.8K 63M J RECT.	チ	ッ	ブ 抵 抗		
R561	RD357102	CARBON RESISTOR (CHIP)	10.0K 63M J RECT.	チ	ッ	ブ 抵 抗		
R562	RD355681	CARBON RESISTOR (CHIP)	680.0 63M J RECT.	チ	ッ	ブ 抵 抗		
R563	RD356272	CARBON RESISTOR (CHIP)	2.7K 63M J RECT.	チ	ッ	ブ 抵 抗		
R564	RD357102	CARBON RESISTOR (CHIP)	10.0K 63M J RECT.	チ	ッ	ブ 抵 抗		
R565	RD357102	CARBON RESISTOR (CHIP)	10.0K 63M J RECT.	チ	ッ	ブ 抵 抗		
R566	RD355681	CARBON RESISTOR (CHIP)	680.0 63M J RECT.	チ	ッ	ブ 抵 抗		
R567	RD356272	CARBON RESISTOR (CHIP)	2.7K 63M J RECT.	チ	ッ	ブ 抵 抗		
R571	RD356682	CARBON RESISTOR (CHIP)	6.8K 63M J RECT.	チ	ッ	ブ 抵 抗		
R577	RD156271	CARBON RESISTOR (CHIP)	2.7K 1/4 J TP	チ	ッ	ブ 抵 抗		
R585	RD356152	CARBON RESISTOR (CHIP)	1.5K 63M J RECT.	チ	ッ	ブ 抵 抗		
R586	RD356472	CARBON RESISTOR (CHIP)	4.7K 63M J RECT.	チ	ッ	ブ 抵 抗		
R591	RD35718R	CARBON RESISTOR (CHIP)	18.0K 63M J RECT.	チ	ッ	ブ 抵 抗		
R593	RD356332	CARBON RESISTOR (CHIP)	3.3K 63M J RECT.	チ	ッ	ブ 抵 抗		
R594	RD357222	CARBON RESISTOR (CHIP)	22.0K 63M J RECT.	チ	ッ	ブ 抵 抗		
R641	RD357681	CARBON RESISTOR (CHIP)	68.0K 63M J RECT.	チ	ッ	ブ 抵 抗		
R642	RD356682	CARBON RESISTOR (CHIP)	6.8K 63M J RECT.	チ	ッ	ブ 抵 抗		
R671	RD356682	CARBON RESISTOR (CHIP)	6.8K 63M J RECT.	チ	ッ	ブ 抵 抗		
R685	RD356152	CARBON RESISTOR (CHIP)	1.5K 63M J RECT.	チ	ッ	ブ 抵 抗		
R686	RD356472	CARBON RESISTOR (CHIP)	4.7K 63M J RECT.	チ	ッ	ブ 抵 抗		
R691	RD357181	CARBON RESISTOR (CHIP)	18.0K 63M J RECT.	チ	ッ	ブ 抵 抗		
* R703	ZQ907500	CARBON RESISTOR (CHIP)	6.8K 1/4W D 2012	チ	ッ	ブ 抵 抗		
* R704	ZQ907500	CARBON RESISTOR (CHIP)	6.8K 1/4W D 2012	チ	ッ	ブ 抵 抗		
R721	RF455471	CARBON RESISTOR (CHIP)	470.0 D RECT.	チ	ッ	ブ 抵 抗		
R722	RF455471	CARBON RESISTOR (CHIP)	470.0 D RECT.	チ	ッ	ブ 抵 抗		
R723	RF456121	CARBON RESISTOR (CHIP)	1.2K D 1608	チ	ッ	ブ 抵 抗		
R724	RF456121	CARBON RESISTOR (CHIP)	1.2K D 1608	チ	ッ	ブ 抵 抗		
R741	RD357681	CARBON RESISTOR (CHIP)	68.0K 63M J RECT.	チ	ッ	ブ 抵 抗		
R742	RF456681	CARBON RESISTOR (CHIP)	6.8K D RECT.	チ	ッ	ブ 抵 抗		
R761	RD357102	CARBON RESISTOR (CHIP)	10.0K 63M J RECT.	チ	ッ	ブ 抵 抗		
R762	RD355681	CARBON RESISTOR (CHIP)	680.0 63M J RECT.	チ	ッ	ブ 抵 抗		
R763	RD356272	CARBON RESISTOR (CHIP)	2.7K 63M J RECT.	チ	ッ	ブ 抵 抗		
R764	RD357102	CARBON RESISTOR (CHIP)	10.0K 63M J RECT.	チ	ッ	ブ 抵 抗		
R765	RD357102	CARBON RESISTOR (CHIP)	10.0K 63M J RECT.	チ	ッ	ブ 抵 抗		
R766	RD355681	CARBON RESISTOR (CHIP)	680.0 63M J RECT.	チ	ッ	ブ 抵 抗		
R767	RD356272	CARBON RESISTOR (CHIP)	2.7K 63M J RECT.	チ	ッ	ブ 抵 抗		
R771	RD356682	CARBON RESISTOR (CHIP)	6.8K 63M J RECT.	チ	ッ	ブ 抵 抗		
R777	RD156272	CARBON RESISTOR (CHIP)	2.7K 1/4 J TP	チ	ッ	ブ 抵 抗		
R785	RD356152	CARBON RESISTOR (CHIP)	1.5K 63M J RECT.	チ	ッ	ブ 抵 抗		
R786	RD356472	CARBON RESISTOR (CHIP)	4.7K 63M J RECT.	チ	ッ	ブ 抵 抗		
R791	RD35718R	CARBON RESISTOR (CHIP)	18.0K 63M J RECT.	チ	ッ	ブ 抵 抗		
R793	RD356332	CARBON RESISTOR (CHIP)	3.3K 63M J RECT.	チ	ッ	ブ 抵 抗		
R794	RD357222	CARBON RESISTOR (CHIP)	22.0K 63M J RECT.	チ	ッ	ブ 抵 抗		
R841	RD357681	CARBON RESISTOR (CHIP)	68.0K 63M J RECT.	チ	ッ	ブ 抵 抗		
R842	RD356682	CARBON RESISTOR (CHIP)	6.8K 63M J RECT.	チ	ッ	ブ 抵 抗		
R871	RD356682	CARBON RESISTOR (CHIP)	6.8K 63M J RECT.	チ	ッ	ブ 抵 抗		
R885	RD356152	CARBON RESISTOR (CHIP)	1.5K 63M J RECT.	チ	ッ	ブ 抵 抗		
R886	RD356472	CARBON RESISTOR (CHIP)	4.7K 63M J RECT.	チ	ッ	ブ 抵 抗		
R891	RD35718R	CARBON RESISTOR (CHIP)	18.0K 63M J RECT.	チ	ッ	ブ 抵 抗		
* R903	ZQ907500	CARBON RESISTOR (CHIP)	6.8K 1/4W D 2012	チ	ッ	ブ 抵 抗		
* R904	ZQ907500	CARBON RESISTOR (CHIP)	6.8K 1/4W D 2012	チ	ッ	ブ 抵 抗		
R921	RF455471	CARBON RESISTOR (CHIP)	470.0 D RECT.	チ	ッ	ブ 抵 抗		
R922	RF455471	CARBON RESISTOR (CHIP)	470.0 D RECT.	チ	ッ	ブ 抵 抗		
R923	RF456121	CARBON RESISTOR (CHIP)	1.2K D 1608	チ	ッ	ブ 抵 抗		
R924	RF456121	CARBON RESISTOR (CHIP)	1.2K D 1608	チ	ッ	ブ 抵 抗		
R941	RD357122	CARBON RESISTOR (CHIP)	12.0K 63M J RECT.	チ	ッ	ブ 抵 抗		
R942	RD357102	CARBON RESISTOR (CHIP)	10.0K 63M J RECT.	チ	ッ	ブ 抵 抗		
R961	RD357102	CARBON RESISTOR (CHIP)	10.0K 63M J RECT.	チ	ッ	ブ 抵 抗		
R962	RD355681	CARBON RESISTOR (CHIP)	680.0 63M J RECT.	チ	ッ	ブ 抵 抗		

*: New Parts

MIX7

REF NO.	PART NO.	DESCRIPTION		部	品	名	REMARKS	QTY
R963	RD356272	CARBON RESISTOR (CHIP)	2.7K 63M J RECT.	チ	ッ	ブ	抵抗	
R964	RD357102	CARBON RESISTOR (CHIP)	10.0K 63M J RECT.	チ	ッ	ブ	抵抗	
R965	RD357102	CARBON RESISTOR (CHIP)	10.0K 63M J RECT.	チ	ッ	ブ	抵抗	
R966	RD355681	CARBON RESISTOR (CHIP)	680.0 63M J RECT.	チ	ッ	ブ	抵抗	
R967	RD356272	CARBON RESISTOR (CHIP)	2.7K 63M J RECT.	チ	ッ	ブ	抵抗	
R971	RD356682	CARBON RESISTOR (CHIP)	6.8K 63M J RECT.	チ	ッ	ブ	抵抗	
R977	RD156271	CARBON RESISTOR (CHIP)	2.7K 1/4 J TP	チ	ッ	ブ	抵抗	
R985	RD356152	CARBON RESISTOR (CHIP)	1.5K 63M J RECT.	チ	ッ	ブ	抵抗	
R986	RD356472	CARBON RESISTOR (CHIP)	4.7K 63M J RECT.	チ	ッ	ブ	抵抗	
R991	RD35718R	CARBON RESISTOR (CHIP)	18.0K 63M J RECT.	チ	ッ	ブ	抵抗	
R993	RD356332	CARBON RESISTOR (CHIP)	3.3K 63M J RECT.	チ	ッ	ブ	抵抗	
R994	RD357222	CARBON RESISTOR (CHIP)	22.0K 63M J RECT.	チ	ッ	ブ	抵抗	
RA41	RD357122	CARBON RESISTOR (CHIP)	12.0K 63M J RECT.	チ	ッ	ブ	抵抗	
RA42	RD357102	CARBON RESISTOR (CHIP)	10.0K 63M J RECT.	チ	ッ	ブ	抵抗	
RA71	RD356682	CARBON RESISTOR (CHIP)	6.8K 63M J RECT.	チ	ッ	ブ	抵抗	
RA85	RD356152	CARBON RESISTOR (CHIP)	1.5K 63M J RECT.	チ	ッ	ブ	抵抗	
RA86	RD356472	CARBON RESISTOR (CHIP)	4.7K 63M J RECT.	チ	ッ	ブ	抵抗	
RA91	RD357181	CARBON RESISTOR (CHIP)	18.0K 63M J RECT.	チ	ッ	ブ	抵抗	
RA93	RD356332	CARBON RESISTOR (CHIP)	3.3K 63M J RECT.	チ	ッ	ブ	抵抗	
RA94	RD357222	CARBON RESISTOR (CHIP)	22.0K 63M J RECT.	チ	ッ	ブ	抵抗	
* RB03	ZQ907500	CARBON RESISTOR (CHIP)	6.8K 1/4W D 2012	チ	ッ	ブ	抵抗	
* RB04	ZQ907500	CARBON RESISTOR (CHIP)	6.8K 1/4W D 2012	チ	ッ	ブ	抵抗	
RB21	RF455471	CARBON RESISTOR (CHIP)	470.0 D RECT.	チ	ッ	ブ	抵抗	
RB22	RF455471	CARBON RESISTOR (CHIP)	470.0 D RECT.	チ	ッ	ブ	抵抗	
RB23	RF456121	CARBON RESISTOR (CHIP)	1.2K D 1608	チ	ッ	ブ	抵抗	
RB24	RF456121	CARBON RESISTOR (CHIP)	1.2K D 1608	チ	ッ	ブ	抵抗	
RB40	RD350003	CARBON RESISTOR (CHIP)	0 63M J RECT.	チ	ッ	ブ	抵抗	
RB42	RD357102	CARBON RESISTOR (CHIP)	10.0K 63M J RECT.	チ	ッ	ブ	抵抗	
RB61	RD357102	CARBON RESISTOR (CHIP)	10.0K 63M J RECT.	チ	ッ	ブ	抵抗	
RB62	RD355681	CARBON RESISTOR (CHIP)	680.0 63M J RECT.	チ	ッ	ブ	抵抗	
RB63	RD356272	CARBON RESISTOR (CHIP)	2.7K 63M J RECT.	チ	ッ	ブ	抵抗	
RB64	RD357102	CARBON RESISTOR (CHIP)	10.0K 63M J RECT.	チ	ッ	ブ	抵抗	
RB65	RD357102	CARBON RESISTOR (CHIP)	10.0K 63M J RECT.	チ	ッ	ブ	抵抗	
RB66	RD355681	CARBON RESISTOR (CHIP)	680.0 63M J RECT.	チ	ッ	ブ	抵抗	
RB67	RD356272	CARBON RESISTOR (CHIP)	2.7K 63M J RECT.	チ	ッ	ブ	抵抗	
RB71	RD356682	CARBON RESISTOR (CHIP)	6.8K 63M J RECT.	チ	ッ	ブ	抵抗	
RB77	RD156272	CARBON RESISTOR (CHIP)	2.7K 1/4 J TP	チ	ッ	ブ	抵抗	
RB85	RD356152	CARBON RESISTOR (CHIP)	1.5K 63M J RECT.	チ	ッ	ブ	抵抗	
RB86	RD356472	CARBON RESISTOR (CHIP)	4.7K 63M J RECT.	チ	ッ	ブ	抵抗	
RB91	RD35718R	CARBON RESISTOR (CHIP)	18.0K 63M J RECT.	チ	ッ	ブ	抵抗	
RC40	RD350003	CARBON RESISTOR (CHIP)	0 63M J RECT.	チ	ッ	ブ	抵抗	
RC42	RD357102	CARBON RESISTOR (CHIP)	10.0K 63M J RECT.	チ	ッ	ブ	抵抗	
RC71	RD356682	CARBON RESISTOR (CHIP)	6.8K 63M J RECT.	チ	ッ	ブ	抵抗	
RC85	RD356152	CARBON RESISTOR (CHIP)	1.5K 63M J RECT.	チ	ッ	ブ	抵抗	
RC86	RD356472	CARBON RESISTOR (CHIP)	4.7K 63M J RECT.	チ	ッ	ブ	抵抗	
RC91	RD35718R	CARBON RESISTOR (CHIP)	18.0K 63M J RECT.	チ	ッ	ブ	抵抗	
RD01	RD355332	CARBON RESISTOR (CHIP)	330.0 63M J RECT.	チ	ッ	ブ	抵抗	
RD05	RD355182	CARBON RESISTOR (CHIP)	180.0 63M J RECT.	チ	ッ	ブ	抵抗	
RD13	RD156272	CARBON RESISTOR (CHIP)	2.7K 1/4 J TP	チ	ッ	ブ	抵抗	
RD19	RD355332	CARBON RESISTOR (CHIP)	330.0 63M J RECT.	チ	ッ	ブ	抵抗	
RD21	RD356152	CARBON RESISTOR (CHIP)	1.5K 63M J RECT.	チ	ッ	ブ	抵抗	
RD22	RD356152	CARBON RESISTOR (CHIP)	1.5K 63M J RECT.	チ	ッ	ブ	抵抗	
RD23	RF456102	CARBON RESISTOR (CHIP)	1.0K D RECT.	チ	ッ	ブ	抵抗	
RD24	RF456222	CARBON RESISTOR (CHIP)	2.2K D RECT.	チ	ッ	ブ	抵抗	
RD25	RD356472	CARBON RESISTOR (CHIP)	4.7K 63M J RECT.	チ	ッ	ブ	抵抗	
RD26	RD356221	CARBON RESISTOR (CHIP)	2.2K 63M J RECT.	チ	ッ	ブ	抵抗	
RD27	RD356472	CARBON RESISTOR (CHIP)	4.7K 63M J RECT.	チ	ッ	ブ	抵抗	
RD35	RD355332	CARBON RESISTOR (CHIP)	330.0 63M J RECT.	チ	ッ	ブ	抵抗	
-40	RD355332	CARBON RESISTOR (CHIP)	330.0 63M J RECT.	チ	ッ	ブ	抵抗	
RM07	RD358102	CARBON RESISTOR (CHIP)	100.0K 63M J RECT.	チ	ッ	ブ	抵抗	
-10	RD358102	CARBON RESISTOR (CHIP)	100.0K 63M J RECT.	チ	ッ	ブ	抵抗	
RP01	RD150001	CARBON RESISTOR (CHIP)	0.0 1/4 J TP	チ	ッ	ブ	抵抗	
-03	RD150001	CARBON RESISTOR (CHIP)	0.0 1/4 J TP	チ	ッ	ブ	抵抗	
RS07	RD353471	CARBON RESISTOR (CHIP)	4.7 63M J RECT.	チ	ッ	ブ	抵抗	
RS08	RD353471	CARBON RESISTOR (CHIP)	4.7 63M J RECT.	チ	ッ	ブ	抵抗	
RS53	RD357152	CARBON RESISTOR (CHIP)	15.0K 63M J RECT.	チ	ッ	ブ	抵抗	
RS54	RD357152	CARBON RESISTOR (CHIP)	15.0K 63M J RECT.	チ	ッ	ブ	抵抗	
RS55	RD358102	CARBON RESISTOR (CHIP)	100.0K 63M J RECT.	チ	ッ	ブ	抵抗	
RS57	RD355562	CARBON RESISTOR (CHIP)	560.0 63M J RECT.	チ	ッ	ブ	抵抗	
RS58	RD355562	CARBON RESISTOR (CHIP)	560.0 63M J RECT.	チ	ッ	ブ	抵抗	

*: New Parts

MIX7 and MIXS

REF NO.	PART NO.	DESCRIPTION		部 品 名	REMARKS	QTY
RS59	RD358102	CARBON RESISTOR (CHIP)	100.0K 63M J RECT.	チ ッ プ 抵 抗		
RS60	RD358102	CARBON RESISTOR (CHIP)	100.0K 63M J RECT.	チ ッ プ 抵 抗		
RSB1	RD355182	CARBON RESISTOR (CHIP)	180.0 63M J RECT.	チ ッ プ 抵 抗		
RSB2	RD358102	CARBON RESISTOR (CHIP)	100.0K 63M J RECT.	チ ッ プ 抵 抗		
RSB3	RD156221	CARBON RESISTOR (CHIP)	2.2K 1/4 J TP	チ ッ プ 抵 抗		
RU07	RD353471	CARBON RESISTOR (CHIP)	4.7 63M J RECT.	チ ッ プ 抵 抗		
RU08	RD353471	CARBON RESISTOR (CHIP)	4.7 63M J RECT.	チ ッ プ 抵 抗		
RU54	RD358102	CARBON RESISTOR (CHIP)	100.0K 63M J RECT.	チ ッ プ 抵 抗		
RU55	RD355562	CARBON RESISTOR (CHIP)	560.0 63M J RECT.	チ ッ プ 抵 抗		
RU56	RD355562	CARBON RESISTOR (CHIP)	560.0 63M J RECT.	チ ッ プ 抵 抗		
*	ZQ101600	CIRCUIT BOARD	MIXS	M I X S シ ー ト	EMX5 (YG949D0)	
	--	LED HOLDER	DOUBLE	L E D ホ ル ダ ー	(ZT23690)	
	--	LED HOLDER	DOUBLE	L E D ホ ル ダ ー	(ZT23691)	
*	ZT244200	WINDOW	7SEG	ウ イ ン ド ウ 印 刷 7 セ グ		
CN001	WD961901	CONNECTOR	GSHD206 20P TE	メ ス ヘ ッ ダ ー		
CN002	WD961901	CONNECTOR	GSHD206 20P TE	メ ス ヘ ッ ダ ー		
CN101	WD96160R	CONNECTOR	GSHD106 5P TE	メ ス ヘ ッ ダ ー		
CN201	WD96170R	CONNECTOR	GSHD106 7P TE	メ ス ヘ ッ ダ ー		
CN301	WD96170R	CONNECTOR	GSHD106 7P TE	メ ス ヘ ッ ダ ー		
CN401	WD96170R	CONNECTOR	GSHD106 7P TE	メ ス ヘ ッ ダ ー		
EC901	WY041400	ROTARY ENCODER	XRE0126PVB30FINA1	ロ ー タ リ エ ン コ ー ダ	PROGRAM	
JK101	WK387600	CANNON CONNECTOR	NCJ6FAV-0-Y	キ ャ ノ ン コ ネ ク タ	MIC/LINE(CH1)	
JK201	WK387600	CANNON CONNECTOR	NCJ6FAV-0-Y	キ ャ ノ ン コ ネ ク タ	MIC/LINE(CH2)	
JK301	WK387600	CANNON CONNECTOR	NCJ6FAV-0-Y	キ ャ ノ ン コ ネ ク タ	MIC/LINE(CH3)	
JK401	WK387600	CANNON CONNECTOR	NCJ6FAV-0-Y	キ ャ ノ ン コ ネ ク タ	MIC/LINE(CH4)	
JK501	WG848700	CANNON CONNECTOR	NC3FAAV2-0-Y	キ ャ ノ ン コ ネ ク タ	MIC(CH5/6)	
JK502	WH919000	PHONE CONNECTOR	ST MSJ-064-30B B	ホ ー ン コ ネ ク タ	LINE UNBAL 5 L/MONO	
JK503	WH919000	PHONE CONNECTOR	ST MSJ-064-30B B	ホ ー ン コ ネ ク タ	LINE UNBAL 6 R	
JK601	WG848700	CANNON CONNECTOR	NC3FAAV2-0-Y	キ ャ ノ ン コ ネ ク タ	MIC(CH7/8)	
JK602	WH919000	PHONE CONNECTOR	ST MSJ-064-30B B	ホ ー ン コ ネ ク タ	LINE UNBAL 7 L/MONO	
JK603	WH919000	PHONE CONNECTOR	ST MSJ-064-30B B	ホ ー ン コ ネ ク タ	LINE UNBAL 8 R	
JK701	WG848700	CANNON CONNECTOR	NC3FAAV2-0-Y	キ ャ ノ ン コ ネ ク タ	MIC(CH9/10)	
JK702	V9812801	PIN CONNECTOR	4P MSP-247H1-01 NI	ピ ン コ ネ ク タ 4 P	LINE UNBAL 9-12 L/R	
JK801	WG848700	CANNON CONNECTOR	NC3FAAV2-0-Y	キ ャ ノ ン コ ネ ク タ	MIC(CH11/12)	
JK802	WJ117400	MINIATURE JACK	MSJ-035-05A GR	ミ ニ ジ ャ ッ ク	INPUT 11/12	
JK901	WH919000	PHONE CONNECTOR	ST MSJ-064-30B B	ホ ー ン コ ネ ク タ	STREO OUT L/MONO	
JK902	WH919000	PHONE CONNECTOR	ST MSJ-064-30B B	ホ ー ン コ ネ ク タ	STREO OUT R	
JK903	WH919000	PHONE CONNECTOR	ST MSJ-064-30B B	ホ ー ン コ ネ ク タ	AUX1 SEND	
JK904	WH919000	PHONE CONNECTOR	ST MSJ-064-30B B	ホ ー ン コ ネ ク タ	AUX2 SEND	
JK905	WC29570R	PIN CONNECTOR	2P MSP-532HV1-01 NI	ピ ン コ ネ ク タ 2 P	REC OUT L/R	
JK906	WH919000	PHONE CONNECTOR	ST MSJ-064-30B B	ホ ー ン コ ネ ク タ	FOOT SW FX MUTE	
K001	--	GROUND ANGLE	SUM	グ ラ ン ド 金 具 S U M	(ZT23930)	
K101	--	GROUND ANGLE	H245	グ ラ ン ド 金 具 H 2 4 5	(ZT23740)	
K801	--	GROUND ANGLE	SUM	グ ラ ン ド 金 具 S U M	(ZT23930)	
K901	--	GROUND ANGLE	H245	グ ラ ン ド 金 具 H 2 4 5	(ZT23740)	
LD901	V979060R	LED RED	HFR203TP-1-00	L E D	PHANTOM +48V	
LD902	V979060R	LED RED	HFR203TP-1-00	L E D	STANDBY CH1-7/8 MUTE	
LD903	WJ491500	LED YELLOW	HFY803037P-50-B	L E D	} FEEDBACK SUPPRESSOR	
LD903	ZF091300	LED YELLOW	HFY803037P/02-50-B	L E D		
LD904	WJ491500	LED YELLOW	HFY803037P-50-B	L E D	} FX ON	
LD904	ZF091300	LED YELLOW	HFY803037P/02-50-B	L E D		
LD905	WJ491500	LED YELLOW	HFY803037P-50-B	L E D	} MONITOR EQ(AUX1)	
LD905	ZF091300	LED YELLOW	HFY803037P/02-50-B	L E D		
LD906	WJ491500	LED YELLOW	HFY803037P-50-B	L E D	} MONITOR EQ(AUX2)	
LD906	ZF091300	LED YELLOW	HFY803037P/02-50-B	L E D		
LD912	WH204500	LED LEVEL METER	HE14RYGVB	L E D レ ベ ル メ ー タ ー	Level meter -20dB-PEAK	
LD913	ZG733600	LED DISPLAY	2HSY8146B6	L E D デ ィ ス プ レ イ		
SW101	WH918702	PUSH SWITCH	PS-22E85L-02	ブ ッ シ ュ S W	MIC/LINE(CH1)	
SW102	WH918702	PUSH SWITCH	PS-22E85L-02	ブ ッ シ ュ S W	HPF(CH1)	
SW201	WH918702	PUSH SWITCH	PS-22E85L-02	ブ ッ シ ュ S W	MIC/LINE(CH2)	
SW202	WH918702	PUSH SWITCH	PS-22E85L-02	ブ ッ シ ュ S W	HPF(CH2)	
SW301	WH918702	PUSH SWITCH	PS-22E85L-02	ブ ッ シ ュ S W	MIC/LINE(CH3)	
SW302	WH918702	PUSH SWITCH	PS-22E85L-02	ブ ッ シ ュ S W	HPF(CH3)	
SW401	WH918702	PUSH SWITCH	PS-22E85L-02	ブ ッ シ ュ S W	MIC/LINE(CH4)	
SW402	WH918800	SWITCH PUSH	PS-22E85L-02	ブ ッ シ ュ S W	Hi-Z(CH4)	
SW901	WH918702	PUSH SWITCH	PS-22E85L-02	ブ ッ シ ュ S W	PHANTOM +48V	
SW902	WH918702	PUSH SWITCH	PS-22E85L-02	ブ ッ シ ュ S W	STANDBY CH1-7/8 MUTE	
SW903	WH918702	PUSH SWITCH	PS-22E85L-02	ブ ッ シ ュ S W	FEEDBACK SUPPRESSOR	
SW904	WH918800	SWITCH PUSH	PS-22E85L-02	ブ ッ シ ュ S W	FX ON(FX RTN)	

*: New Parts

MIXS

REF NO.	PART NO.	DESCRIPTION	部 品 名	REMARKS	QTY
SW905	WH918702	PUSH SWITCH	PS-22E85L-02	ブ ッ シ ュ S W	MONITOR EQ(AUX1)
SW906	WH918702	PUSH SWITCH	PS-22E85L-02	ブ ッ シ ュ S W	MONITOR EQ(AUX2)
SW907	WK236600	SWITCH SLIDE	RSS001-242N-AAAD1B	ス ラ イ ド S W	AMPLIFIER MODE
VR101	WY605500	VR DUAL UNIT ROTARY	B 50.0K XV012323YG	2 連 ロ ー タ リ ー V R	} COMP(CH1)
VR101	WZ034900	VR DUAL UNIT ROTARY	B 50.0K RK12L12700	2 連 ロ ー タ リ ー V R	
VR102	WY605900	VR ROTARY	A 20.0K XV09223YNP	ロ ー タ リ ー V R	} LEVEL(CH1)
VR102	WZ033800	VR ROTARY	A 20.0K RK09D11700	ロ ー タ リ ー V R	
VR103	WY190900	VR ROTARY	B 20.0K XV09223YNP	ロ ー タ リ ー V R	} AUX2/FX(CH1)
VR103	WZ034000	VR ROTARY	B 20.0K RK09D11700	ロ ー タ リ ー V R	
VR104	WY605900	VR ROTARY	A 20.0K XV09223YNP	ロ ー タ リ ー V R	} AUX1(CH1)
VR104	WZ033800	VR ROTARY	A 20.0K RK09D11700	ロ ー タ リ ー V R	
VR105	WY190800	VR ROTARY	1BP 50.0K XV09223Y	ロ ー タ リ ー V R	} Equalizer LOW(CH1)
VR106	WY190800	VR ROTARY	1BP 50.0K XV09223Y	ロ ー タ リ ー V R	
VR107	WY190800	VR ROTARY	1BP 50.0K XV09223Y	ロ ー タ リ ー V R	} Equalizer HIGH(CH1)
VR201	WY605500	VR DUAL UNIT ROTARY	B 50.0K XV012323YG	2 連 ロ ー タ リ ー V R	
VR201	WZ034900	VR DUAL UNIT ROTARY	B 50.0K RK12L12700	2 連 ロ ー タ リ ー V R	} COMP(CH2)
VR202	WY605900	VR ROTARY	A 20.0K XV09223YNP	ロ ー タ リ ー V R	
VR202	WZ033800	VR ROTARY	A 20.0K RK09D11700	ロ ー タ リ ー V R	} LEVEL(CH2)
VR203	WY190900	VR ROTARY	B 20.0K XV09223YNP	ロ ー タ リ ー V R	
VR203	WZ034000	VR ROTARY	B 20.0K RK09D11700	ロ ー タ リ ー V R	} AUX2/FX(CH2)
VR204	WY605900	VR ROTARY	A 20.0K XV09223YNP	ロ ー タ リ ー V R	
VR204	WZ033800	VR ROTARY	A 20.0K RK09D11700	ロ ー タ リ ー V R	} AUX1(CH2)
VR205	WY190800	VR ROTARY	1BP 50.0K XV09223Y	ロ ー タ リ ー V R	
VR206	WY190800	VR ROTARY	1BP 50.0K XV09223Y	ロ ー タ リ ー V R	} Equalizer LOW(CH2)
VR207	WY190800	VR ROTARY	1BP 50.0K XV09223Y	ロ ー タ リ ー V R	
VR301	WY605500	VR DUAL UNIT ROTARY	B 50.0K XV012323YG	2 連 ロ ー タ リ ー V R	} COMP(CH3)
VR301	WZ034900	VR DUAL UNIT ROTARY	B 50.0K RK12L12700	2 連 ロ ー タ リ ー V R	
VR302	WY605900	VR ROTARY	A 20.0K XV09223YNP	ロ ー タ リ ー V R	} LEVEL(CH3)
VR302	WZ033800	VR ROTARY	A 20.0K RK09D11700	ロ ー タ リ ー V R	
VR303	WY190900	VR ROTARY	B 20.0K XV09223YNP	ロ ー タ リ ー V R	} AUX2/FX(CH3)
VR303	WZ034000	VR ROTARY	B 20.0K RK09D11700	ロ ー タ リ ー V R	
VR304	WY605900	VR ROTARY	A 20.0K XV09223YNP	ロ ー タ リ ー V R	} AUX1(CH3)
VR304	WZ033800	VR ROTARY	A 20.0K RK09D11700	ロ ー タ リ ー V R	
VR305	WY190800	VR ROTARY	1BP 50.0K XV09223Y	ロ ー タ リ ー V R	} Equalizer LOW(CH3)
VR306	WY190800	VR ROTARY	1BP 50.0K XV09223Y	ロ ー タ リ ー V R	
VR307	WY190800	VR ROTARY	1BP 50.0K XV09223Y	ロ ー タ リ ー V R	} Equalizer MID(CH3)
VR401	WY605500	VR DUAL UNIT ROTARY	B 50.0K XV012323YG	2 連 ロ ー タ リ ー V R	
VR401	WZ034900	VR DUAL UNIT ROTARY	B 50.0K RK12L12700	2 連 ロ ー タ リ ー V R	} COMP(CH4)
VR402	WY605900	VR ROTARY	A 20.0K XV09223YNP	ロ ー タ リ ー V R	
VR402	WZ033800	VR ROTARY	A 20.0K RK09D11700	ロ ー タ リ ー V R	} LEVEL(CH4)
VR403	WY190900	VR ROTARY	B 20.0K XV09223YNP	ロ ー タ リ ー V R	
VR403	WZ034000	VR ROTARY	B 20.0K RK09D11700	ロ ー タ リ ー V R	} AUX2/FX(CH4)
VR404	WY605900	VR ROTARY	A 20.0K XV09223YNP	ロ ー タ リ ー V R	
VR404	WZ033800	VR ROTARY	A 20.0K RK09D11700	ロ ー タ リ ー V R	} AUX1(CH4)
VR405	WY190800	VR ROTARY	1BP 50.0K XV09223Y	ロ ー タ リ ー V R	
VR406	WY190800	VR ROTARY	1BP 50.0K XV09223Y	ロ ー タ リ ー V R	} Equalizer LOW(CH4)
VR407	WY190800	VR ROTARY	1BP 50.0K XV09223Y	ロ ー タ リ ー V R	
VR502	WY191100	VR DUAL UNIT ROTARY	A 20.0K XV012323YG	2 連 ロ ー タ リ ー V R	} LEVEL(CH5/6)
VR502	WZ034500	VR DUAL UNIT ROTARY	A 20.0K RK12L12H00	2 連 ロ ー タ リ ー V R	
VR503	WY190900	VR ROTARY	B 20.0K XV09223YNP	ロ ー タ リ ー V R	} AUX2/FX(CH5/6)
VR503	WZ034000	VR ROTARY	B 20.0K RK09D11700	ロ ー タ リ ー V R	
VR504	WY605900	VR ROTARY	A 20.0K XV09223YNP	ロ ー タ リ ー V R	} AUX1(CH5/6)
VR504	WZ033800	VR ROTARY	A 20.0K RK09D11700	ロ ー タ リ ー V R	
VR505	WY192100	VR DUAL UNIT ROTARY	1BP 50.0K XV012323	2 連 ロ ー タ リ ー V R	} Equalizer LOW(CH5/6)
VR506	WY192100	VR DUAL UNIT ROTARY	1BP 50.0K XV012323	2 連 ロ ー タ リ ー V R	
VR507	WY192100	VR DUAL UNIT ROTARY	1BP 50.0K XV012323	2 連 ロ ー タ リ ー V R	} Equalizer HIGH(CH5/6)
VR602	WY191100	VR DUAL UNIT ROTARY	A 20.0K XV012323YG	2 連 ロ ー タ リ ー V R	
VR602	WZ034500	VR DUAL UNIT ROTARY	A 20.0K RK12L12H00	2 連 ロ ー タ リ ー V R	} LEVEL(CH7/8)
VR603	WY190900	VR ROTARY	B 20.0K XV09223YNP	ロ ー タ リ ー V R	
VR603	WZ034000	VR ROTARY	B 20.0K RK09D11700	ロ ー タ リ ー V R	} AUX2/FX(CH7/8)
VR604	WY605900	VR ROTARY	A 20.0K XV09223YNP	ロ ー タ リ ー V R	
VR604	WZ033800	VR ROTARY	A 20.0K RK09D11700	ロ ー タ リ ー V R	} AUX1(CH7/8)
VR605	WY192100	VR DUAL UNIT ROTARY	1BP 50.0K XV012323	2 連 ロ ー タ リ ー V R	
VR606	WY192100	VR DUAL UNIT ROTARY	1BP 50.0K XV012323	2 連 ロ ー タ リ ー V R	} Equalizer LOW(CH7/8)
VR607	WY192100	VR DUAL UNIT ROTARY	1BP 50.0K XV012323	2 連 ロ ー タ リ ー V R	
VR607	WY192100	VR DUAL UNIT ROTARY	1BP 50.0K XV012323	2 連 ロ ー タ リ ー V R	} Equalizer MID(CH7/8)
VR702	WY191100	VR DUAL UNIT ROTARY	A 20.0K XV012323YG	2 連 ロ ー タ リ ー V R	
VR702	WZ034500	VR DUAL UNIT ROTARY	A 20.0K RK12L12H00	2 連 ロ ー タ リ ー V R	} LEVEL(CH9/10)
VR703	WY190900	VR ROTARY	B 20.0K XV09223YNP	ロ ー タ リ ー V R	
VR703	WZ034000	VR ROTARY	B 20.0K RK09D11700	ロ ー タ リ ー V R	} AUX2/FX(CH9/10)
VR704	WY605900	VR ROTARY	A 20.0K XV09223YNP	ロ ー タ リ ー V R	

*: New Parts

MIXS

REF NO.	PART NO.	DESCRIPTION		部 品 名	REMARKS	QTY	
VR704	WZ033800	VR ROTARY	A 20.0K RK09D11700	ロ - タ リ - V R	Equalizer LOW(CH9/10)		
VR705	WY192100	VR DUAL UNIT ROTARY	1BP 50.0K XV012323	2 連 ロ - タ リ - V R			
VR706	WY192100	VR DUAL UNIT ROTARY	1BP 50.0K XV012323	2 連 ロ - タ リ - V R			Equalizer MID(CH9/10)
VR707	WY192100	VR DUAL UNIT ROTARY	1BP 50.0K XV012323	2 連 ロ - タ リ - V R			Equalizer HIGH(CH9/10)
VR802	WY191100	VR DUAL UNIT ROTARY	A 20.0K XV012323YG	2 連 ロ - タ リ - V R	LEVEL(CH11/12)		
VR802	WZ034500	VR DUAL UNIT ROTARY	A 20.0K RK12L12H00	2 連 ロ - タ リ - V R	AUX2/FX(CH11/12)		
VR803	WY190900	VR ROTARY	B 20.0K XV09223YNP	ロ - タ リ - V R			
VR803	WZ034000	VR ROTARY	B 20.0K RK09D11700	ロ - タ リ - V R	AUX1(CH11/12)		
VR804	WY605900	VR ROTARY	A 20.0K XV09223YNP	ロ - タ リ - V R			
VR804	WZ033800	VR ROTARY	A 20.0K RK09D11700	ロ - タ リ - V R			
VR805	WY192100	VR DUAL UNIT ROTARY	1BP 50.0K XV012323	2 連 ロ - タ リ - V R	Equalizer LOW(CH11/12)		
VR806	WY192100	VR DUAL UNIT ROTARY	1BP 50.0K XV012323	2 連 ロ - タ リ - V R	Equalizer MID(CH11/12)		
VR807	WY192100	VR DUAL UNIT ROTARY	1BP 50.0K XV012323	2 連 ロ - タ リ - V R	Equalizer HIGH(CH11/12)		
VR901	WY190900	VR ROTARY	B 20.0K XV09223YNP	ロ - タ リ - V R	MASTER LEVEL(STREO)		
VR901	WZ034000	VR ROTARY	B 20.0K RK09D11700	ロ - タ リ - V R			
VR902	WZ035000	VR DUAL UNIT ROTARY	B 20.0K RK12L12700	2 連 ロ - タ リ - V R	MASTER LEVEL(AUX1)		
VR902	ZE112600	VR DUAL UNIT ROTARY	B 20.0K XV012323YG	2 連 ロ - タ リ - V R	MASTER LEVEL(AUX2)		
VR903	WY190900	VR ROTARY	B 20.0K XV09223YNP	ロ - タ リ - V R			
VR903	WZ034000	VR ROTARY	B 20.0K RK09D11700	ロ - タ リ - V R			
VR904	WY191100	VR DUAL UNIT ROTARY	A 20.0K XV012323YG	2 連 ロ - タ リ - V R	LEVEL(FX RTN)		
VR904	WZ034500	VR DUAL UNIT ROTARY	A 20.0K RK12L12H00	2 連 ロ - タ リ - V R	AUX1(FX RTN)		
VR905	WY605900	VR ROTARY	A 20.0K XV09223YNP	ロ - タ リ - V R			
VR905	WZ033800	VR ROTARY	A 20.0K RK09D11700	ロ - タ リ - V R	PARAMETER		
VR906	WY190900	VR ROTARY	B 20.0K XV09223YNP	ロ - タ リ - V R			
VR906	WZ034000	VR ROTARY	B 20.0K RK09D11700	ロ - タ リ - V R			
VR907	WY190800	VR ROTARY	1BP 50.0K XV09223Y	ロ - タ リ - V R			MASTER EQ
JP001	--	JUMPER WIRE	0.55	平 型 ジ ャ ン パ ー 線	(VN50000)		
-356	--	JUMPER WIRE	0.55	平 型 ジ ャ ン パ ー 線			
C004	UR857470	ELECTROLYTIC CAPACITOR	47.00 35.0V RX TP	ケ ミ コ ン	(VN50000)		
C005	UR857470	ELECTROLYTIC CAPACITOR	47.00 35.0V RX TP	ケ ミ コ ン			
C037	UU238220	ELECTROLYTIC CAPACITOR	220.00 16.0V RX TP	ケ ミ コ ン F W			
C038	UU238220	ELECTROLYTIC CAPACITOR	220.00 16.0V RX TP	ケ ミ コ ン F W			
C039	UR877470	ELECTROLYTIC CAPACITOR	47.00 63.0V RX TP	ケ ミ コ ン			
C101	WR183200	ELECTROLYTIC CAPACITOR	33.00 63.0V ST TP	ケ ミ コ ン P S			
C106	ZF740700	ELECTROLYTIC CAPACITOR	47.00 50.0V 2.5mm	ケ ミ コ ン			
C107	ZF740700	ELECTROLYTIC CAPACITOR	47.00 50.0V 2.5mm	ケ ミ コ ン			
C108	UR867221	ELECTROLYTIC CAPACITOR	22.00 50.0V RX TP	ケ ミ コ ン			
C109	UR867221	ELECTROLYTIC CAPACITOR	22.00 50.0V RX TP	ケ ミ コ ン			
C113	UR867101	ELECTROLYTIC CAPACITOR	10.00 50.0V RX TP	ケ ミ コ ン			
C115	UR867101	ELECTROLYTIC CAPACITOR	10.00 50.0V RX TP	ケ ミ コ ン			
C119	UR857470	ELECTROLYTIC CAPACITOR	47.00 35.0V RX TP	ケ ミ コ ン			
C120	UA354391	POLYESTER FILM CAPACITOR	0.0390 50V J RX TP	マ イ ラ - コ ン			
C120	ZD517000	POLYESTER FILM CAPACITOR	0.039 63V J TP	マ イ ラ - コ ン			
C121	UA354391	POLYESTER FILM CAPACITOR	0.0390 50V J RX TP	マ イ ラ - コ ン			
C121	ZD517000	POLYESTER FILM CAPACITOR	0.039 63V J TP	マ イ ラ - コ ン			
C123	UR867101	ELECTROLYTIC CAPACITOR	10.00 50.0V RX TP	ケ ミ コ ン			
C124	UR838102	ELECTROLYTIC CAPACITOR	100.00 16.0V RX TP	ケ ミ コ ン			
C125	UR838102	ELECTROLYTIC CAPACITOR	100.00 16.0V RX TP	ケ ミ コ ン			
C126	UR857470	ELECTROLYTIC CAPACITOR	47.00 35.0V RX TP	ケ ミ コ ン			
C134	UU238101	ELECTROLYTIC CAPACITOR	100.00 16.0V RX TP	ケ ミ コ ン F W			
C139	UU238101	ELECTROLYTIC CAPACITOR	100.00 16.0V RX TP	ケ ミ コ ン F W			
C151	UR857470	ELECTROLYTIC CAPACITOR	47.00 35.0V RX TP	ケ ミ コ ン			
C152	UA354151	POLYESTER FILM CAPACITOR	0.0150 50V J RX TP	マ イ ラ - コ ン			
C152	ZD516500	POLYESTER FILM CAPACITOR	0.015 63V J TP	マ イ ラ - コ ン			
C153	UA354101	POLYESTER FILM CAPACITOR	0.0100 50V J RX TP	マ イ ラ - コ ン			
C153	ZD516300	POLYESTER FILM CAPACITOR	0.01 63V J TP	マ イ ラ - コ ン			
C154	UA35412R	POLYESTER FILM CAPACITOR	0.0120 50V J RX TP	マ イ ラ - コ ン			
C154	ZD516400	POLYESTER FILM CAPACITOR	0.012 63V J TP	マ イ ラ - コ ン			
C155	UA353390	POLYESTER FILM CAPACITOR	3900P 50V J RX TP	マ イ ラ - コ ン			
C155	ZD515800	POLYESTER FILM CAPACITOR	3900P 63V J TP	マ イ ラ - コ ン			
C159	UR857470	ELECTROLYTIC CAPACITOR	47.00 35.0V RX TP	ケ ミ コ ン			
C160	UR867221	ELECTROLYTIC CAPACITOR	22.00 50.0V RX TP	ケ ミ コ ン			
C163	UR857470	ELECTROLYTIC CAPACITOR	47.00 35.0V RX TP	ケ ミ コ ン			
C205	ZF740700	ELECTROLYTIC CAPACITOR	47.00 50.0V 2.5mm	ケ ミ コ ン			
C206	ZF740700	ELECTROLYTIC CAPACITOR	47.00 50.0V 2.5mm	ケ ミ コ ン			
C207	UR867221	ELECTROLYTIC CAPACITOR	22.00 50.0V RX TP	ケ ミ コ ン			
C208	UR867221	ELECTROLYTIC CAPACITOR	22.00 50.0V RX TP	ケ ミ コ ン			
C212	UR867101	ELECTROLYTIC CAPACITOR	10.00 50.0V RX TP	ケ ミ コ ン			
C214	UR867101	ELECTROLYTIC CAPACITOR	10.00 50.0V RX TP	ケ ミ コ ン			
C218	UR857470	ELECTROLYTIC CAPACITOR	47.00 35.0V RX TP	ケ ミ コ ン			

*: New Parts

MIXS

REF NO.	PART NO.	DESCRIPTION		部 品 名	REMARKS	QTY
C219	UA354391	POLYESTER FILM CAPACITOR	0.0390 50V J RX TP	マ イ ラ - コ ン	}	
C219	ZD517000	POLYESTER FILM CAPACITOR	0.039 63V J TP	マ イ ラ - コ ン		
C220	UA354391	POLYESTER FILM CAPACITOR	0.0390 50V J RX TP	マ イ ラ - コ ン		
C220	ZD517000	POLYESTER FILM CAPACITOR	0.039 63V J TP	マ イ ラ - コ ン		
C222	UR867101	ELECTROLYTIC CAPACITOR	10.00 50.0V RX TP	ケ ミ コ ン	}	
C223	UR838102	ELECTROLYTIC CAPACITOR	100.00 16.0V RX TP	ケ ミ コ ン		
C224	UR838102	ELECTROLYTIC CAPACITOR	100.00 16.0V RX TP	ケ ミ コ ン		
C225	UR857470	ELECTROLYTIC CAPACITOR	47.00 35.0V RX TP	ケ ミ コ ン		
C251	UR857470	ELECTROLYTIC CAPACITOR	47.00 35.0V RX TP	ケ ミ コ ン	}	
C252	UA354151	POLYESTER FILM CAPACITOR	0.0150 50V J RX TP	マ イ ラ - コ ン		
C252	ZD516500	POLYESTER FILM CAPACITOR	0.015 63V J TP	マ イ ラ - コ ン		
C253	UA354101	POLYESTER FILM CAPACITOR	0.0100 50V J RX TP	マ イ ラ - コ ン		
C253	ZD516300	POLYESTER FILM CAPACITOR	0.01 63V J TP	マ イ ラ - コ ン	}	
C254	UA35412R	POLYESTER FILM CAPACITOR	0.0120 50V J RX TP	マ イ ラ - コ ン		
C254	ZD516400	POLYESTER FILM CAPACITOR	0.012 63V J TP	マ イ ラ - コ ン		
C255	UA353390	POLYESTER FILM CAPACITOR	3900P 50V J RX TP	マ イ ラ - コ ン		
C255	ZD515800	POLYESTER FILM CAPACITOR	3900P 63V J TP	マ イ ラ - コ ン	}	
C259	UR857470	ELECTROLYTIC CAPACITOR	47.00 35.0V RX TP	ケ ミ コ ン		
C260	UR867221	ELECTROLYTIC CAPACITOR	22.00 50.0V RX TP	ケ ミ コ ン		
C263	UR857470	ELECTROLYTIC CAPACITOR	47.00 35.0V RX TP	ケ ミ コ ン		
C305	ZF740700	ELECTROLYTIC CAPACITOR	47.00 50.0V 2.5mm	ケ ミ コ ン	}	
C306	ZF740700	ELECTROLYTIC CAPACITOR	47.00 50.0V 2.5mm	ケ ミ コ ン		
C307	UR867221	ELECTROLYTIC CAPACITOR	22.00 50.0V RX TP	ケ ミ コ ン		
C308	UR867221	ELECTROLYTIC CAPACITOR	22.00 50.0V RX TP	ケ ミ コ ン		
C309	UR867101	ELECTROLYTIC CAPACITOR	10.00 50.0V RX TP	ケ ミ コ ン	}	
C311	UA354391	POLYESTER FILM CAPACITOR	0.0390 50V J RX TP	マ イ ラ - コ ン		
C311	ZD517000	POLYESTER FILM CAPACITOR	0.039 63V J TP	マ イ ラ - コ ン		
C314	UA354391	POLYESTER FILM CAPACITOR	0.0390 50V J RX TP	マ イ ラ - コ ン		
C314	ZD517000	POLYESTER FILM CAPACITOR	0.039 63V J TP	マ イ ラ - コ ン	}	
C317	UR867101	ELECTROLYTIC CAPACITOR	10.00 50.0V RX TP	ケ ミ コ ン		
C318	UR857470	ELECTROLYTIC CAPACITOR	47.00 35.0V RX TP	ケ ミ コ ン		
C320	UR867101	ELECTROLYTIC CAPACITOR	10.00 50.0V RX TP	ケ ミ コ ン		
C325	UR838102	ELECTROLYTIC CAPACITOR	100.00 16.0V RX TP	ケ ミ コ ン	}	
C326	UR838102	ELECTROLYTIC CAPACITOR	100.00 16.0V RX TP	ケ ミ コ ン		
C327	UR857470	ELECTROLYTIC CAPACITOR	47.00 35.0V RX TP	ケ ミ コ ン		
C335	UU238101	ELECTROLYTIC CAPACITOR	100.00 16.0V RX TP	ケ ミ コ ン F W		
C340	UU238101	ELECTROLYTIC CAPACITOR	100.00 16.0V RX TP	ケ ミ コ ン F W	}	
C351	UR857470	ELECTROLYTIC CAPACITOR	47.00 35.0V RX TP	ケ ミ コ ン		
C352	UA354151	POLYESTER FILM CAPACITOR	0.0150 50V J RX TP	マ イ ラ - コ ン		
C352	ZD516500	POLYESTER FILM CAPACITOR	0.015 63V J TP	マ イ ラ - コ ン		
C353	UA354101	POLYESTER FILM CAPACITOR	0.0100 50V J RX TP	マ イ ラ - コ ン	}	
C353	ZD516300	POLYESTER FILM CAPACITOR	0.01 63V J TP	マ イ ラ - コ ン		
C354	UA35412R	POLYESTER FILM CAPACITOR	0.0120 50V J RX TP	マ イ ラ - コ ン		
C354	ZD516400	POLYESTER FILM CAPACITOR	0.012 63V J TP	マ イ ラ - コ ン		
C355	UA353390	POLYESTER FILM CAPACITOR	3900P 50V J RX TP	マ イ ラ - コ ン	}	
C355	ZD515800	POLYESTER FILM CAPACITOR	3900P 63V J TP	マ イ ラ - コ ン		
C359	UR857470	ELECTROLYTIC CAPACITOR	47.00 35.0V RX TP	ケ ミ コ ン		
C360	UR867221	ELECTROLYTIC CAPACITOR	22.00 50.0V RX TP	ケ ミ コ ン		
C363	UR857470	ELECTROLYTIC CAPACITOR	47.00 35.0V RX TP	ケ ミ コ ン	}	
C405	ZF740700	ELECTROLYTIC CAPACITOR	47.00 50.0V 2.5mm	ケ ミ コ ン		
C406	ZF740700	ELECTROLYTIC CAPACITOR	47.00 50.0V 2.5mm	ケ ミ コ ン		
C408	UR877470	ELECTROLYTIC CAPACITOR	47.00 63.0V RX TP	ケ ミ コ ン		
C409	UR877470	ELECTROLYTIC CAPACITOR	47.00 63.0V RX TP	ケ ミ コ ン	}	
C411	UA354391	POLYESTER FILM CAPACITOR	0.0390 50V J RX TP	マ イ ラ - コ ン		
C411	ZD517000	POLYESTER FILM CAPACITOR	0.039 63V J TP	マ イ ラ - コ ン		
C417	UR867101	ELECTROLYTIC CAPACITOR	10.00 50.0V RX TP	ケ ミ コ ン		
C418	UR857470	ELECTROLYTIC CAPACITOR	47.00 35.0V RX TP	ケ ミ コ ン	}	
C420	UR867101	ELECTROLYTIC CAPACITOR	10.00 50.0V RX TP	ケ ミ コ ン		
C426	UR838102	ELECTROLYTIC CAPACITOR	100.00 16.0V RX TP	ケ ミ コ ン		
C427	UR838102	ELECTROLYTIC CAPACITOR	100.00 16.0V RX TP	ケ ミ コ ン		
C428	UR857470	ELECTROLYTIC CAPACITOR	47.00 35.0V RX TP	ケ ミ コ ン	}	
C451	UR857470	ELECTROLYTIC CAPACITOR	47.00 35.0V RX TP	ケ ミ コ ン		
C452	UA354151	POLYESTER FILM CAPACITOR	0.0150 50V J RX TP	マ イ ラ - コ ン		
C452	ZD516500	POLYESTER FILM CAPACITOR	0.015 63V J TP	マ イ ラ - コ ン		
C453	UA354101	POLYESTER FILM CAPACITOR	0.0100 50V J RX TP	マ イ ラ - コ ン	}	
C453	ZD516300	POLYESTER FILM CAPACITOR	0.01 63V J TP	マ イ ラ - コ ン		
C454	UA35412R	POLYESTER FILM CAPACITOR	0.0120 50V J RX TP	マ イ ラ - コ ン		
C454	ZD516400	POLYESTER FILM CAPACITOR	0.012 63V J TP	マ イ ラ - コ ン		
C455	UA353390	POLYESTER FILM CAPACITOR	3900P 50V J RX TP	マ イ ラ - コ ン	}	
C455	ZD515800	POLYESTER FILM CAPACITOR	3900P 63V J TP	マ イ ラ - コ ン		

*: New Parts

MIXS

REF NO.	PART NO.	DESCRIPTION		部	品	名	REMARKS	QTY
C459	UR857470	ELECTROLYTIC CAPACITOR	47.00 35.0V RX TP	ケ	ニ	コ		
C460	UR867221	ELECTROLYTIC CAPACITOR	22.00 50.0V RX TP	ケ	ニ	コ		
C463	UR857470	ELECTROLYTIC CAPACITOR	47.00 35.0V RX TP	ケ	ニ	コ		
C505	UR867101	ELECTROLYTIC CAPACITOR	10.00 50.0V RX TP	ケ	ニ	コ		
C506	UR867101	ELECTROLYTIC CAPACITOR	10.00 50.0V RX TP	ケ	ニ	コ		
C507	ZC714900	ELECTROLYTIC CAPACITOR	22.00 50.0V 2.5MM	ケ	ニ	コ	ン K L	
C508	ZC714900	ELECTROLYTIC CAPACITOR	22.00 50.0V 2.5MM	ケ	ニ	コ	ン K L	
C518	UR857470	ELECTROLYTIC CAPACITOR	47.00 35.0V RX TP	ケ	ニ	コ		
-520	UR857470	ELECTROLYTIC CAPACITOR	47.00 35.0V RX TP	ケ	ニ	コ		
C521	UA354151	POLYESTER FILM CAPACITOR	0.0150 50V J RX TP	マ	イ	ラ	ー コ	
C521	ZD516500	POLYESTER FILM CAPACITOR	0.015 63V J TP	マ	イ	ラ	ー コ	
C522	UA354101	POLYESTER FILM CAPACITOR	0.0100 50V J RX TP	マ	イ	ラ	ー コ	
C522	ZD516300	POLYESTER FILM CAPACITOR	0.01 63V J TP	マ	イ	ラ	ー コ	
C523	UA354151	POLYESTER FILM CAPACITOR	0.0150 50V J RX TP	マ	イ	ラ	ー コ	
C523	ZD516500	POLYESTER FILM CAPACITOR	0.015 63V J TP	マ	イ	ラ	ー コ	
C524	UA354101	POLYESTER FILM CAPACITOR	0.0100 50V J RX TP	マ	イ	ラ	ー コ	
C524	ZD516300	POLYESTER FILM CAPACITOR	0.01 63V J TP	マ	イ	ラ	ー コ	
C525	UA35412R	POLYESTER FILM CAPACITOR	0.0120 50V J RX TP	マ	イ	ラ	ー コ	
C525	ZD516400	POLYESTER FILM CAPACITOR	0.012 63V J TP	マ	イ	ラ	ー コ	
C526	UA353390	POLYESTER FILM CAPACITOR	3900P 50V J RX TP	マ	イ	ラ	ー コ	
C526	ZD515800	POLYESTER FILM CAPACITOR	3900P 63V J TP	マ	イ	ラ	ー コ	
C527	UA35412R	POLYESTER FILM CAPACITOR	0.0120 50V J RX TP	マ	イ	ラ	ー コ	
C527	ZD516400	POLYESTER FILM CAPACITOR	0.012 63V J TP	マ	イ	ラ	ー コ	
C528	UA353390	POLYESTER FILM CAPACITOR	3900P 50V J RX TP	マ	イ	ラ	ー コ	
C528	ZD515800	POLYESTER FILM CAPACITOR	3900P 63V J TP	マ	イ	ラ	ー コ	
C534	UR838221	ELECTROLYTIC CAPACITOR	220.00 16.0V RX TP	ケ	ニ	コ		
C536	UR838221	ELECTROLYTIC CAPACITOR	220.00 16.0V RX TP	ケ	ニ	コ		
C538	UR867221	ELECTROLYTIC CAPACITOR	22.00 50.0V RX TP	ケ	ニ	コ		
C539	UR867221	ELECTROLYTIC CAPACITOR	22.00 50.0V RX TP	ケ	ニ	コ		
C544	UR838221	ELECTROLYTIC CAPACITOR	220.00 16.0V RX TP	ケ	ニ	コ		
C546	UR838221	ELECTROLYTIC CAPACITOR	220.00 16.0V RX TP	ケ	ニ	コ		
C549	UU238101	ELECTROLYTIC CAPACITOR	100.00 16.0V RX TP	ケ	ニ	コ	ン F W	
C555	UU238101	ELECTROLYTIC CAPACITOR	100.00 16.0V RX TP	ケ	ニ	コ	ン F W	
C605	UR867101	ELECTROLYTIC CAPACITOR	10.00 50.0V RX TP	ケ	ニ	コ		
C606	UR867101	ELECTROLYTIC CAPACITOR	10.00 50.0V RX TP	ケ	ニ	コ		
C607	ZC714900	ELECTROLYTIC CAPACITOR	22.00 50.0V 2.5MM	ケ	ニ	コ	ン K L	
C608	ZC714900	ELECTROLYTIC CAPACITOR	22.00 50.0V 2.5MM	ケ	ニ	コ	ン K L	
C618	UR857470	ELECTROLYTIC CAPACITOR	47.00 35.0V RX TP	ケ	ニ	コ		
-620	UR857470	ELECTROLYTIC CAPACITOR	47.00 35.0V RX TP	ケ	ニ	コ		
C621	UA354151	POLYESTER FILM CAPACITOR	0.0150 50V J RX TP	マ	イ	ラ	ー コ	
C621	ZD516500	POLYESTER FILM CAPACITOR	0.015 63V J TP	マ	イ	ラ	ー コ	
C622	UA354101	POLYESTER FILM CAPACITOR	0.0100 50V J RX TP	マ	イ	ラ	ー コ	
C622	ZD516300	POLYESTER FILM CAPACITOR	0.01 63V J TP	マ	イ	ラ	ー コ	
C623	UA354151	POLYESTER FILM CAPACITOR	0.0150 50V J RX TP	マ	イ	ラ	ー コ	
C623	ZD516500	POLYESTER FILM CAPACITOR	0.015 63V J TP	マ	イ	ラ	ー コ	
C624	UA354101	POLYESTER FILM CAPACITOR	0.0100 50V J RX TP	マ	イ	ラ	ー コ	
C624	ZD516300	POLYESTER FILM CAPACITOR	0.01 63V J TP	マ	イ	ラ	ー コ	
C625	UA35412R	POLYESTER FILM CAPACITOR	0.0120 50V J RX TP	マ	イ	ラ	ー コ	
C625	ZD516400	POLYESTER FILM CAPACITOR	0.012 63V J TP	マ	イ	ラ	ー コ	
C626	UA353390	POLYESTER FILM CAPACITOR	3900P 50V J RX TP	マ	イ	ラ	ー コ	
C626	ZD515800	POLYESTER FILM CAPACITOR	3900P 63V J TP	マ	イ	ラ	ー コ	
C627	UA35412R	POLYESTER FILM CAPACITOR	0.0120 50V J RX TP	マ	イ	ラ	ー コ	
C627	ZD516400	POLYESTER FILM CAPACITOR	0.012 63V J TP	マ	イ	ラ	ー コ	
C628	UA353390	POLYESTER FILM CAPACITOR	3900P 50V J RX TP	マ	イ	ラ	ー コ	
C628	ZD515800	POLYESTER FILM CAPACITOR	3900P 63V J TP	マ	イ	ラ	ー コ	
C634	UR838221	ELECTROLYTIC CAPACITOR	220.00 16.0V RX TP	ケ	ニ	コ		
C636	UR838221	ELECTROLYTIC CAPACITOR	220.00 16.0V RX TP	ケ	ニ	コ		
C638	UR867221	ELECTROLYTIC CAPACITOR	22.00 50.0V RX TP	ケ	ニ	コ		
C639	UR867221	ELECTROLYTIC CAPACITOR	22.00 50.0V RX TP	ケ	ニ	コ		
C644	UR838221	ELECTROLYTIC CAPACITOR	220.00 16.0V RX TP	ケ	ニ	コ		
C646	UR838221	ELECTROLYTIC CAPACITOR	220.00 16.0V RX TP	ケ	ニ	コ		
C705	ZC714900	ELECTROLYTIC CAPACITOR	22.00 50.0V 2.5MM	ケ	ニ	コ	ン K L	
C706	ZC714900	ELECTROLYTIC CAPACITOR	22.00 50.0V 2.5MM	ケ	ニ	コ	ン K L	
C707	UR867101	ELECTROLYTIC CAPACITOR	10.00 50.0V RX TP	ケ	ニ	コ		
C708	UR867101	ELECTROLYTIC CAPACITOR	10.00 50.0V RX TP	ケ	ニ	コ		
C718	UR857470	ELECTROLYTIC CAPACITOR	47.00 35.0V RX TP	ケ	ニ	コ		
-720	UR857470	ELECTROLYTIC CAPACITOR	47.00 35.0V RX TP	ケ	ニ	コ		
C721	UA354151	POLYESTER FILM CAPACITOR	0.0150 50V J RX TP	マ	イ	ラ	ー コ	
C721	ZD516500	POLYESTER FILM CAPACITOR	0.015 63V J TP	マ	イ	ラ	ー コ	
C722	UA354101	POLYESTER FILM CAPACITOR	0.0100 50V J RX TP	マ	イ	ラ	ー コ	

*: New Parts

MIXS

REF NO.	PART NO.	DESCRIPTION		部 品 名	REMARKS	QTY
C722	ZD516300	POLYESTER FILM CAPACITOR	0.01 63V J TP	マ イ ラ - コ ン		
C723	UA354151	POLYESTER FILM CAPACITOR	0.0150 50V J RX TP	マ イ ラ - コ ン		
C723	ZD516500	POLYESTER FILM CAPACITOR	0.015 63V J TP	マ イ ラ - コ ン		
C724	UA354101	POLYESTER FILM CAPACITOR	0.0100 50V J RX TP	マ イ ラ - コ ン		
C724	ZD516300	POLYESTER FILM CAPACITOR	0.01 63V J TP	マ イ ラ - コ ン		
C725	UA35412R	POLYESTER FILM CAPACITOR	0.0120 50V J RX TP	マ イ ラ - コ ン		
C725	ZD516400	POLYESTER FILM CAPACITOR	0.012 63V J TP	マ イ ラ - コ ン		
C726	UA353390	POLYESTER FILM CAPACITOR	3900P 50V J RX TP	マ イ ラ - コ ン		
C726	ZD515800	POLYESTER FILM CAPACITOR	3900P 63V J TP	マ イ ラ - コ ン		
C727	UA35412R	POLYESTER FILM CAPACITOR	0.0120 50V J RX TP	マ イ ラ - コ ン		
C727	ZD516400	POLYESTER FILM CAPACITOR	0.012 63V J TP	マ イ ラ - コ ン		
C728	UA353390	POLYESTER FILM CAPACITOR	3900P 50V J RX TP	マ イ ラ - コ ン		
C728	ZD515800	POLYESTER FILM CAPACITOR	3900P 63V J TP	マ イ ラ - コ ン		
C734	UR838221	ELECTROLYTIC CAPACITOR	220.00 16.0V RX TP	ケ ミ コ ン		
C736	UR838221	ELECTROLYTIC CAPACITOR	220.00 16.0V RX TP	ケ ミ コ ン		
C738	UR867221	ELECTROLYTIC CAPACITOR	22.00 50.0V RX TP	ケ ミ コ ン		
C739	UR867221	ELECTROLYTIC CAPACITOR	22.00 50.0V RX TP	ケ ミ コ ン		
C744	UR838221	ELECTROLYTIC CAPACITOR	220.00 16.0V RX TP	ケ ミ コ ン		
C746	UR838221	ELECTROLYTIC CAPACITOR	220.00 16.0V RX TP	ケ ミ コ ン		
C748	UU238101	ELECTROLYTIC CAPACITOR	100.00 16.0V RX TP	ケ ミ コ ン F W		
C757	UU238101	ELECTROLYTIC CAPACITOR	100.00 16.0V RX TP	ケ ミ コ ン F W		
C807	ZC714900	ELECTROLYTIC CAPACITOR	22.00 50.0V 2.5MM	ケ ミ コ ン K L		
C808	ZC714900	ELECTROLYTIC CAPACITOR	22.00 50.0V 2.5MM	ケ ミ コ ン K L		
C811	UR867101	ELECTROLYTIC CAPACITOR	10.00 50.0V RX TP	ケ ミ コ ン		
C812	UR867101	ELECTROLYTIC CAPACITOR	10.00 50.0V RX TP	ケ ミ コ ン		
C820	UR857470	ELECTROLYTIC CAPACITOR	47.00 35.0V RX TP	ケ ミ コ ン		
-822	UR857470	ELECTROLYTIC CAPACITOR	47.00 35.0V RX TP	ケ ミ コ ン		
C823	UA354151	POLYESTER FILM CAPACITOR	0.0150 50V J RX TP	マ イ ラ - コ ン		
C823	ZD516500	POLYESTER FILM CAPACITOR	0.015 63V J TP	マ イ ラ - コ ン		
C824	UA354101	POLYESTER FILM CAPACITOR	0.0100 50V J RX TP	マ イ ラ - コ ン		
C824	ZD516300	POLYESTER FILM CAPACITOR	0.01 63V J TP	マ イ ラ - コ ン		
C825	UA354151	POLYESTER FILM CAPACITOR	0.0150 50V J RX TP	マ イ ラ - コ ン		
C825	ZD516500	POLYESTER FILM CAPACITOR	0.015 63V J TP	マ イ ラ - コ ン		
C826	UA354101	POLYESTER FILM CAPACITOR	0.0100 50V J RX TP	マ イ ラ - コ ン		
C826	ZD516300	POLYESTER FILM CAPACITOR	0.01 63V J TP	マ イ ラ - コ ン		
C827	UA35412R	POLYESTER FILM CAPACITOR	0.0120 50V J RX TP	マ イ ラ - コ ン		
C827	ZD516400	POLYESTER FILM CAPACITOR	0.012 63V J TP	マ イ ラ - コ ン		
C828	UA353390	POLYESTER FILM CAPACITOR	3900P 50V J RX TP	マ イ ラ - コ ン		
C828	ZD515800	POLYESTER FILM CAPACITOR	3900P 63V J TP	マ イ ラ - コ ン		
C829	UA35412R	POLYESTER FILM CAPACITOR	0.0120 50V J RX TP	マ イ ラ - コ ン		
C829	ZD516400	POLYESTER FILM CAPACITOR	0.012 63V J TP	マ イ ラ - コ ン		
C830	UA353390	POLYESTER FILM CAPACITOR	3900P 50V J RX TP	マ イ ラ - コ ン		
C830	ZD515800	POLYESTER FILM CAPACITOR	3900P 63V J TP	マ イ ラ - コ ン		
C836	UR838221	ELECTROLYTIC CAPACITOR	220.00 16.0V RX TP	ケ ミ コ ン		
C838	UR838221	ELECTROLYTIC CAPACITOR	220.00 16.0V RX TP	ケ ミ コ ン		
C840	UR867221	ELECTROLYTIC CAPACITOR	22.00 50.0V RX TP	ケ ミ コ ン		
C841	UR867221	ELECTROLYTIC CAPACITOR	22.00 50.0V RX TP	ケ ミ コ ン		
C846	UR838221	ELECTROLYTIC CAPACITOR	220.00 16.0V RX TP	ケ ミ コ ン		
C848	UR838221	ELECTROLYTIC CAPACITOR	220.00 16.0V RX TP	ケ ミ コ ン		
C909	UR867221	ELECTROLYTIC CAPACITOR	22.00 50.0V RX TP	ケ ミ コ ン		
C910	UR867221	ELECTROLYTIC CAPACITOR	22.00 50.0V RX TP	ケ ミ コ ン		
C915	UR857470	ELECTROLYTIC CAPACITOR	47.00 35.0V RX TP	ケ ミ コ ン		
C916	UR857470	ELECTROLYTIC CAPACITOR	47.00 35.0V RX TP	ケ ミ コ ン		
C920	UR867221	ELECTROLYTIC CAPACITOR	22.00 50.0V RX TP	ケ ミ コ ン		
C921	UR867221	ELECTROLYTIC CAPACITOR	22.00 50.0V RX TP	ケ ミ コ ン		
C926	UR857470	ELECTROLYTIC CAPACITOR	47.00 35.0V RX TP	ケ ミ コ ン		
C927	UR857470	ELECTROLYTIC CAPACITOR	47.00 35.0V RX TP	ケ ミ コ ン		
C932	UU238220	ELECTROLYTIC CAPACITOR	220.00 16.0V RX TP	ケ ミ コ ン F W		
C941	UU238220	ELECTROLYTIC CAPACITOR	220.00 16.0V RX TP	ケ ミ コ ン F W		
C942	UR857470	ELECTROLYTIC CAPACITOR	47.00 35.0V RX TP	ケ ミ コ ン		
C943	UR857470	ELECTROLYTIC CAPACITOR	47.00 35.0V RX TP	ケ ミ コ ン		
CU07	UR867221	ELECTROLYTIC CAPACITOR	22.00 50.0V RX TP	ケ ミ コ ン		
CU08	UR867221	ELECTROLYTIC CAPACITOR	22.00 50.0V RX TP	ケ ミ コ ン		
CU13	UR857470	ELECTROLYTIC CAPACITOR	47.00 35.0V RX TP	ケ ミ コ ン		
CU14	UR857470	ELECTROLYTIC CAPACITOR	47.00 35.0V RX TP	ケ ミ コ ン		
CU16	UA354391	POLYESTER FILM CAPACITOR	0.0390 50V J RX TP	マ イ ラ - コ ン		
-19	UA354391	POLYESTER FILM CAPACITOR	0.0390 50V J RX TP	マ イ ラ - コ ン		
CU16	ZD517000	POLYESTER FILM CAPACITOR	0.039 63V J TP	マ イ ラ - コ ン		
-19	ZD517000	POLYESTER FILM CAPACITOR	0.039 63V J TP	マ イ ラ - コ ン		
CU21	UR857470	ELECTROLYTIC CAPACITOR	47.00 35.0V RX TP	ケ ミ コ ン		

*: New Parts

MIXS

REF NO.	PART NO.	DESCRIPTION	部 品 名	REMARKS	QTY
CU24	UR857470	ELECTROLYTIC CAPACITOR	47.00 35.0V RX TP	ケ ミ コ ン	
CU25	UR857470	ELECTROLYTIC CAPACITOR	47.00 35.0V RX TP	ケ ミ コ ン	
CU27	UR867221	ELECTROLYTIC CAPACITOR	22.00 50.0V RX TP	ケ ミ コ ン	
CU28	UR867221	ELECTROLYTIC CAPACITOR	22.00 50.0V RX TP	ケ ミ コ ン	
CU33	UR857470	ELECTROLYTIC CAPACITOR	47.00 35.0V RX TP	ケ ミ コ ン	
CU34	UR857470	ELECTROLYTIC CAPACITOR	47.00 35.0V RX TP	ケ ミ コ ン	
CU37	UU238220	ELECTROLYTIC CAPACITOR	220.00 16.0V RX TP	ケ ミ コ ン F W	
CU48	UU238220	ELECTROLYTIC CAPACITOR	220.00 16.0V RX TP	ケ ミ コ ン F W	
CU49	UR867221	ELECTROLYTIC CAPACITOR	22.00 50.0V RX TP	ケ ミ コ ン	
EM001	VI243100	EMI FILTER (CHIP)	DSS6NB32A271Q93A	L C フィルター	
EM002	VI243100	EMI FILTER (CHIP)	DSS6NB32A271Q93A	L C フィルター	
LD907	WP841400	LED YELLOW	HFY103PJW-3-B	L E D	BASS BOOST
LD908	WP841200	LED RED	HFR203PJW-3-B	L E D	PROTECTION CH A
LD909	WP841200	LED RED	HFR203PJW-3-B	L E D	PROTECTION CH B
LD910	WP841200	LED RED	HFR203PJW-3-B	L E D	LIMIT CH A
LD911	WP841200	LED RED	HFR203PJW-3-B	L E D	LIMIT CH B
C001	US064103	CERAMIC CAPACITOR (CHIP)	0.0100 50V K RECT.	チップセラ (B)	
C002	US064103	CERAMIC CAPACITOR (CHIP)	0.0100 50V K RECT.	チップセラ (B)	
C003	WK716800	MONOLITHIC CERAMIC CAP(CHIP)	10.0 6.3V M TP	チップ積層セラコン	
C006	US035102	CERAMIC CAPACITOR (CHIP)	0.1000 16V K RECT.	チップセラ (B)	
C007	US061471	CERAMIC CAPACITOR (CHIP)	47P 50V J RECT.	チップセラ (C H)	
-010	US061471	CERAMIC CAPACITOR (CHIP)	47P 50V J RECT.	チップセラ (C H)	
C011	US035102	CERAMIC CAPACITOR (CHIP)	0.1000 16V K RECT.	チップセラ (B)	
C012	US061471	CERAMIC CAPACITOR (CHIP)	47P 50V J RECT.	チップセラ (C H)	
-015	US061471	CERAMIC CAPACITOR (CHIP)	47P 50V J RECT.	チップセラ (C H)	
C016	WK716800	MONOLITHIC CERAMIC CAP(CHIP)	10.0 6.3V M TP	チップ積層セラコン	
C017	US035102	CERAMIC CAPACITOR (CHIP)	0.1000 16V K RECT.	チップセラ (B)	
C018	US061471	CERAMIC CAPACITOR (CHIP)	47P 50V J RECT.	チップセラ (C H)	
-021	US061471	CERAMIC CAPACITOR (CHIP)	47P 50V J RECT.	チップセラ (C H)	
C022	WK716800	MONOLITHIC CERAMIC CAP(CHIP)	10.0 6.3V M TP	チップ積層セラコン	
C023	US035102	CERAMIC CAPACITOR (CHIP)	0.1000 16V K RECT.	チップセラ (B)	
C024	US061471	CERAMIC CAPACITOR (CHIP)	47P 50V J RECT.	チップセラ (C H)	
-027	US061471	CERAMIC CAPACITOR (CHIP)	47P 50V J RECT.	チップセラ (C H)	
C028	US035102	CERAMIC CAPACITOR (CHIP)	0.1000 16V K RECT.	チップセラ (B)	
C029	US061471	CERAMIC CAPACITOR (CHIP)	47P 50V J RECT.	チップセラ (C H)	
-032	US061471	CERAMIC CAPACITOR (CHIP)	47P 50V J RECT.	チップセラ (C H)	
C033	US035102	CERAMIC CAPACITOR (CHIP)	0.1000 16V K RECT.	チップセラ (B)	
C034	US035102	CERAMIC CAPACITOR (CHIP)	0.1000 16V K RECT.	チップセラ (B)	
C035	WK716800	MONOLITHIC CERAMIC CAP(CHIP)	10.0 6.3V M TP	チップ積層セラコン	
C036	WK716800	MONOLITHIC CERAMIC CAP(CHIP)	10.0 6.3V M TP	チップ積層セラコン	
C040	US064103	CERAMIC CAPACITOR (CHIP)	0.0100 50V K RECT.	チップセラ (B)	
-042	US064103	CERAMIC CAPACITOR (CHIP)	0.0100 50V K RECT.	チップセラ (B)	
C102	US062472	CERAMIC CAPACITOR (CHIP)	470P 50V J RECT.	チップセラ (S L)	
C102	V585100R	CERAMIC CAPACITOR (CHIP)	470P 50V J KAKUTE	チップセラ (C H)	
C103	US062271	CERAMIC CAPACITOR (CHIP)	270P 50V J RECT.	チップセラ (S L)	
C104	US062472	CERAMIC CAPACITOR (CHIP)	470P 50V J RECT.	チップセラ (S L)	
C104	V585100R	CERAMIC CAPACITOR (CHIP)	470P 50V J KAKUTE	チップセラ (C H)	
C105	US062271	CERAMIC CAPACITOR (CHIP)	270P 50V J RECT.	チップセラ (S L)	
C110	US062472	CERAMIC CAPACITOR (CHIP)	470P 50V J RECT.	チップセラ (S L)	
C110	V585100R	CERAMIC CAPACITOR (CHIP)	470P 50V J KAKUTE	チップセラ (C H)	
C111	US062472	CERAMIC CAPACITOR (CHIP)	470P 50V J RECT.	チップセラ (S L)	
C111	V585100R	CERAMIC CAPACITOR (CHIP)	470P 50V J KAKUTE	チップセラ (C H)	
C112	US062271	CERAMIC CAPACITOR (CHIP)	270P 50V J RECT.	チップセラ (S L)	
C114	US061121	CERAMIC CAPACITOR (CHIP)	12P 50V J RECT.	チップセラ (C H)	
C116	US062271	CERAMIC CAPACITOR (CHIP)	270P 50V J RECT.	チップセラ (S L)	
C117	US062271	CERAMIC CAPACITOR (CHIP)	270P 50V J RECT.	チップセラ (S L)	
C118	US061121	CERAMIC CAPACITOR (CHIP)	12P 50V J RECT.	チップセラ (C H)	
C135	US064103	CERAMIC CAPACITOR (CHIP)	0.0100 50V K RECT.	チップセラ (B)	
-138	US064103	CERAMIC CAPACITOR (CHIP)	0.0100 50V K RECT.	チップセラ (B)	
C156	US061471	CERAMIC CAPACITOR (CHIP)	47P 50V J RECT.	チップセラ (C H)	
C157	US061471	CERAMIC CAPACITOR (CHIP)	47P 50V J RECT.	チップセラ (C H)	
C158	US064103	CERAMIC CAPACITOR (CHIP)	0.0100 50V K RECT.	チップセラ (B)	
C161	US062102	CERAMIC CAPACITOR (CHIP)	100P 50V J RECT.	チップセラ (S L)	
C161	V3152100	CERAMIC CAPACITOR (CHIP)	100P 50V J KAKUTE	チップセラ C H	
C162	US061471	CERAMIC CAPACITOR (CHIP)	47P 50V J RECT.	チップセラ (C H)	
C164	US064103	CERAMIC CAPACITOR (CHIP)	0.0100 50V K RECT.	チップセラ (B)	
C165	US064103	CERAMIC CAPACITOR (CHIP)	0.0100 50V K RECT.	チップセラ (B)	
C201	US062472	CERAMIC CAPACITOR (CHIP)	470P 50V J RECT.	チップセラ (S L)	
C201	V585100R	CERAMIC CAPACITOR (CHIP)	470P 50V J KAKUTE	チップセラ (C H)	
C202	US062271	CERAMIC CAPACITOR (CHIP)	270P 50V J RECT.	チップセラ (S L)	

*: New Parts

MIXS

REF NO.	PART NO.	DESCRIPTION		部 品 名	REMARKS	QTY
C933	US064103	CERAMIC CAPACITOR (CHIP)	0.0100 50V K RECT.	チ ッ プ セ ラ (B)		
-940	US064103	CERAMIC CAPACITOR (CHIP)	0.0100 50V K RECT.	チ ッ プ セ ラ (B)		
CU01	US062271	CERAMIC CAPACITOR (CHIP)	270P 50V J RECT.	チ ッ プ セ ラ (S L)		
-03	US062271	CERAMIC CAPACITOR (CHIP)	270P 50V J RECT.	チ ッ プ セ ラ (S L)		
CU04	US061151	CERAMIC CAPACITOR (CHIP)	15P 50V J RECT.	チ ッ プ セ ラ (C H)		
CU05	US061151	CERAMIC CAPACITOR (CHIP)	15P 50V J RECT.	チ ッ プ セ ラ (C H)		
CU06	US061222	CERAMIC CAPACITOR (CHIP)	22P 50V J RECT.	チ ッ プ セ ラ (C H)		
CU09	WU188700	CERAMIC CAPACITOR (CHIP)	1000P 50V J KAKUTE	チ ッ プ セ ラ		
CU10	WU188700	CERAMIC CAPACITOR (CHIP)	1000P 50V J KAKUTE	チ ッ プ セ ラ		
CU11	US062102	CERAMIC CAPACITOR (CHIP)	100P 50V J RECT.	チ ッ プ セ ラ (S L)		
CU11	V3152100	CERAMIC CAPACITOR (CHIP)	100P 50V J KAKUTE	チ ッ プ セ ラ C H		
CU12	US062102	CERAMIC CAPACITOR (CHIP)	100P 50V J RECT.	チ ッ プ セ ラ (S L)		
CU12	V3152100	CERAMIC CAPACITOR (CHIP)	100P 50V J KAKUTE	チ ッ プ セ ラ C H		
CU15	US061471	CERAMIC CAPACITOR (CHIP)	47P 50V J RECT.	チ ッ プ セ ラ (C H)		
CU20	US061471	CERAMIC CAPACITOR (CHIP)	47P 50V J RECT.	チ ッ プ セ ラ (C H)		
CU26	US064103	CERAMIC CAPACITOR (CHIP)	0.0100 50V K RECT.	チ ッ プ セ ラ (B)		
CU29	US062102	CERAMIC CAPACITOR (CHIP)	100P 50V J RECT.	チ ッ プ セ ラ (S L)		
CU29	V3152100	CERAMIC CAPACITOR (CHIP)	100P 50V J KAKUTE	チ ッ プ セ ラ C H		
CU30	US062102	CERAMIC CAPACITOR (CHIP)	100P 50V J RECT.	チ ッ プ セ ラ (S L)		
CU30	V3152100	CERAMIC CAPACITOR (CHIP)	100P 50V J KAKUTE	チ ッ プ セ ラ C H		
CU31	US061471	CERAMIC CAPACITOR (CHIP)	47P 50V J RECT.	チ ッ プ セ ラ (C H)		
CU32	US061471	CERAMIC CAPACITOR (CHIP)	47P 50V J RECT.	チ ッ プ セ ラ (C H)		
CU35	US062271	CERAMIC CAPACITOR (CHIP)	270P 50V J RECT.	チ ッ プ セ ラ (S L)		
CU36	US062271	CERAMIC CAPACITOR (CHIP)	270P 50V J RECT.	チ ッ プ セ ラ (S L)		
CU38	US064103	CERAMIC CAPACITOR (CHIP)	0.0100 50V K RECT.	チ ッ プ セ ラ (B)		
-47	US064103	CERAMIC CAPACITOR (CHIP)	0.0100 50V K RECT.	チ ッ プ セ ラ (B)		
CU50	US062271	CERAMIC CAPACITOR (CHIP)	270P 50V J RECT.	チ ッ プ セ ラ (S L)		
CU51	US062271	CERAMIC CAPACITOR (CHIP)	270P 50V J RECT.	チ ッ プ セ ラ (S L)		
DA102	VD30390R	DIODE ARRAY	1SS226(TE85R,F)	ダイ オード アレイ		
-104	VD30390R	DIODE ARRAY	1SS226(TE85R,F)	ダイ オード アレイ		
DA102	VV556301	DIODE ARRAY	DAN217 0.3A X2	ダイ オード アレイ		
-104	VV556301	DIODE ARRAY	DAN217 0.3A X2	ダイ オード アレイ		
DA202	VD30390R	DIODE ARRAY	1SS226(TE85R,F)	ダイ オード アレイ		
-204	VD30390R	DIODE ARRAY	1SS226(TE85R,F)	ダイ オード アレイ		
DA202	VV556301	DIODE ARRAY	DAN217 0.3A X2	ダイ オード アレイ		
-204	VV556301	DIODE ARRAY	DAN217 0.3A X2	ダイ オード アレイ		
DA302	VD30390R	DIODE ARRAY	1SS226(TE85R,F)	ダイ オード アレイ		
-304	VD30390R	DIODE ARRAY	1SS226(TE85R,F)	ダイ オード アレイ		
DA302	VV556301	DIODE ARRAY	DAN217 0.3A X2	ダイ オード アレイ		
-304	VV556301	DIODE ARRAY	DAN217 0.3A X2	ダイ オード アレイ		
DA402	VD30390R	DIODE ARRAY	1SS226(TE85R,F)	ダイ オード アレイ		
DA402	VV556301	DIODE ARRAY	DAN217 0.3A X2	ダイ オード アレイ		
DA403	VD30390R	DIODE ARRAY	1SS226(TE85R,F)	ダイ オード アレイ		
DA403	VV556301	DIODE ARRAY	DAN217 0.3A X2	ダイ オード アレイ		
DA501	VD30390R	DIODE ARRAY	1SS226(TE85R,F)	ダイ オード アレイ		
DA501	VV556301	DIODE ARRAY	DAN217 0.3A X2	ダイ オード アレイ		
DA502	VD30390R	DIODE ARRAY	1SS226(TE85R,F)	ダイ オード アレイ		
DA502	VV556301	DIODE ARRAY	DAN217 0.3A X2	ダイ オード アレイ		
DA601	VD30390R	DIODE ARRAY	1SS226(TE85R,F)	ダイ オード アレイ		
DA601	VV556301	DIODE ARRAY	DAN217 0.3A X2	ダイ オード アレイ		
DA602	VD30390R	DIODE ARRAY	1SS226(TE85R,F)	ダイ オード アレイ		
DA602	VV556301	DIODE ARRAY	DAN217 0.3A X2	ダイ オード アレイ		
DA701	VD30390R	DIODE ARRAY	1SS226(TE85R,F)	ダイ オード アレイ		
DA701	VV556301	DIODE ARRAY	DAN217 0.3A X2	ダイ オード アレイ		
DA702	VD30390R	DIODE ARRAY	1SS226(TE85R,F)	ダイ オード アレイ		
DA702	VV556301	DIODE ARRAY	DAN217 0.3A X2	ダイ オード アレイ		
DA801	VD30390R	DIODE ARRAY	1SS226(TE85R,F)	ダイ オード アレイ		
DA801	VV556301	DIODE ARRAY	DAN217 0.3A X2	ダイ オード アレイ		
DA802	VD30390R	DIODE ARRAY	1SS226(TE85R,F)	ダイ オード アレイ		
DA802	VV556301	DIODE ARRAY	DAN217 0.3A X2	ダイ オード アレイ		
IC001	X6292A00	IC	TC74HC595AF(EL)	I	C	SHIFT REGISTER/LATCH
-005	X6292A00	IC	TC74HC595AF(EL)	I	C	SHIFT REGISTER/LATCH
IC101	X3505A01	IC	NJM2068M-D(TE2)	I	C	OP AMP
IC102	X6897A00	IC	BA4560RF-E2	I	C	OP AMP
IC105	X6897A00	IC	BA4560RF-E2	I	C	OP AMP
IC106	X6897A00	IC	BA4560RF-E2	I	C	OP AMP
IC301	X3505A01	IC	NJM2068M-D(TE2)	I	C	OP AMP
IC302	X4543A0R	IC	NJM072BM-E(TE1)	I	C	OP AMP
IC305	X6897A00	IC	BA4560RF-E2	I	C	OP AMP
IC306	X6897A00	IC	BA4560RF-E2	I	C	OP AMP

*: New Parts

MIXS

REF NO.	PART NO.	DESCRIPTION	部 品 名	REMARKS	QTY	
IC501	X3505A01	IC	NJM2068M-D(Te2)		C	OP AMP
IC502	X6897A00	IC	BA4560RF-E2		C	OP AMP
-504	X6897A00	IC	BA4560RF-E2		C	OP AMP
IC602	X6897A00	IC	BA4560RF-E2		C	OP AMP
-604	X6897A00	IC	BA4560RF-E2		C	OP AMP
IC701	X3505A01	IC	NJM2068M-D(Te2)		C	OP AMP
IC702	X6897A00	IC	BA4560RF-E2		C	OP AMP
-704	X6897A00	IC	BA4560RF-E2		C	OP AMP
IC802	X6897A00	IC	BA4560RF-E2		C	OP AMP
-804	X6897A00	IC	BA4560RF-E2		C	OP AMP
IC901	X3505A01	IC	NJM2068M-D(Te2)		C	OP AMP
IC902	X3505A01	IC	NJM2068M-D(Te2)		C	OP AMP
IC903	X6897A00	IC	BA4560RF-E2		C	OP AMP
IC904	X3505A01	IC	NJM2068M-D(Te2)		C	OP AMP
ICU01	X3505A01	IC	NJM2068M-D(Te2)		C	OP AMP
ICU02	X3505A01	IC	NJM2068M-D(Te2)		C	OP AMP
ICU03	X6897A00	IC	BA4560RF-E2		C	OP AMP
ICU04	X6897A00	IC	BA4560RF-E2		C	OP AMP
ICU05	X3505A01	IC	NJM2068M-D(Te2)		C	OP AMP
L101	WQ533300	COIL INDUCTOR (CHIP)	BLM18PG221SN1D	チ ッ プ イ ン ダ ク タ		
L102	WQ533300	COIL INDUCTOR (CHIP)	BLM18PG221SN1D	チ ッ プ イ ン ダ ク タ		
L201	WQ533300	COIL INDUCTOR (CHIP)	BLM18PG221SN1D	チ ッ プ イ ン ダ ク タ		
L202	WQ533300	COIL INDUCTOR (CHIP)	BLM18PG221SN1D	チ ッ プ イ ン ダ ク タ		
L301	WQ533300	COIL INDUCTOR (CHIP)	BLM18PG221SN1D	チ ッ プ イ ン ダ ク タ		
L302	WQ533300	COIL INDUCTOR (CHIP)	BLM18PG221SN1D	チ ッ プ イ ン ダ ク タ		
L401	WQ533300	COIL INDUCTOR (CHIP)	BLM18PG221SN1D	チ ッ プ イ ン ダ ク タ		
-403	WQ533300	COIL INDUCTOR (CHIP)	BLM18PG221SN1D	チ ッ プ イ ン ダ ク タ		
L501	WQ533300	COIL INDUCTOR (CHIP)	BLM18PG221SN1D	チ ッ プ イ ン ダ ク タ		
L502	WQ533300	COIL INDUCTOR (CHIP)	BLM18PG221SN1D	チ ッ プ イ ン ダ ク タ		
L601	WQ533300	COIL INDUCTOR (CHIP)	BLM18PG221SN1D	チ ッ プ イ ン ダ ク タ		
L602	WQ533300	COIL INDUCTOR (CHIP)	BLM18PG221SN1D	チ ッ プ イ ン ダ ク タ		
L701	WQ533300	COIL INDUCTOR (CHIP)	BLM18PG221SN1D	チ ッ プ イ ン ダ ク タ		
L702	WQ533300	COIL INDUCTOR (CHIP)	BLM18PG221SN1D	チ ッ プ イ ン ダ ク タ		
L801	WQ533300	COIL INDUCTOR (CHIP)	BLM18PG221SN1D	チ ッ プ イ ン ダ ク タ		
L802	WQ533300	COIL INDUCTOR (CHIP)	BLM18PG221SN1D	チ ッ プ イ ン ダ ク タ		
R001	RD154100	CARBON RESISTOR (CHIP)	10.0 1/4 J TP	チ ッ プ 抵 抗		
R002	RD150001	CARBON RESISTOR (CHIP)	0.0 1/4 J TP	チ ッ プ 抵 抗		
R003	RD358102	CARBON RESISTOR (CHIP)	100.0K 63M J RECT.	チ ッ プ 抵 抗		
-006	RD358102	CARBON RESISTOR (CHIP)	100.0K 63M J RECT.	チ ッ プ 抵 抗		
R007	RD354224	CARBON RESISTOR (CHIP)	22.0 63M J RECT.	チ ッ プ 抵 抗		
R008	RD355332	CARBON RESISTOR (CHIP)	330.0 63M J RECT.	チ ッ プ 抵 抗		
-018	RD355332	CARBON RESISTOR (CHIP)	330.0 63M J RECT.	チ ッ プ 抵 抗		
R019	RD354224	CARBON RESISTOR (CHIP)	22.0 63M J RECT.	チ ッ プ 抵 抗		
-021	RD354224	CARBON RESISTOR (CHIP)	22.0 63M J RECT.	チ ッ プ 抵 抗		
R022	RD356152	CARBON RESISTOR (CHIP)	1.5K 63M J RECT.	チ ッ プ 抵 抗		
R023	RD356152	CARBON RESISTOR (CHIP)	1.5K 63M J RECT.	チ ッ プ 抵 抗		
R024	RF456102	CARBON RESISTOR (CHIP)	1.0K D RECT.	チ ッ プ 抵 抗		
R025	RD355332	CARBON RESISTOR (CHIP)	330.0 63M J RECT.	チ ッ プ 抵 抗		
-031	RD355332	CARBON RESISTOR (CHIP)	330.0 63M J RECT.	チ ッ プ 抵 抗		
R032	RD355101	CARBON RESISTOR (CHIP)	100.0 63M J RECT.	チ ッ プ 抵 抗		
R033	RD354224	CARBON RESISTOR (CHIP)	22.0 63M J RECT.	チ ッ プ 抵 抗		
R034	RD356221	CARBON RESISTOR (CHIP)	2.2K 63M J RECT.	チ ッ プ 抵 抗		
R035	RD354224	CARBON RESISTOR (CHIP)	22.0 63M J RECT.	チ ッ プ 抵 抗		
R036	RD354224	CARBON RESISTOR (CHIP)	22.0 63M J RECT.	チ ッ プ 抵 抗		
R037	RD355101	CARBON RESISTOR (CHIP)	100.0 63M J RECT.	チ ッ プ 抵 抗		
R038	RD354224	CARBON RESISTOR (CHIP)	22.0 63M J RECT.	チ ッ プ 抵 抗		
R039	RD355271	CARBON RESISTOR (CHIP)	270.0 63M J RECT.	チ ッ プ 抵 抗		
-042	RD355271	CARBON RESISTOR (CHIP)	270.0 63M J RECT.	チ ッ プ 抵 抗		
R043	RD355182	CARBON RESISTOR (CHIP)	180.0 63M J RECT.	チ ッ プ 抵 抗		
-045	RD355182	CARBON RESISTOR (CHIP)	180.0 63M J RECT.	チ ッ プ 抵 抗		
R046	RD354224	CARBON RESISTOR (CHIP)	22.0 63M J RECT.	チ ッ プ 抵 抗		
R047	RD354224	CARBON RESISTOR (CHIP)	22.0 63M J RECT.	チ ッ プ 抵 抗		
R048	RD355271	CARBON RESISTOR (CHIP)	270.0 63M J RECT.	チ ッ プ 抵 抗		
-051	RD355271	CARBON RESISTOR (CHIP)	270.0 63M J RECT.	チ ッ プ 抵 抗		
R052	RD355182	CARBON RESISTOR (CHIP)	180.0 63M J RECT.	チ ッ プ 抵 抗		
-054	RD355182	CARBON RESISTOR (CHIP)	180.0 63M J RECT.	チ ッ プ 抵 抗		
R055	RD355101	CARBON RESISTOR (CHIP)	100.0 63M J RECT.	チ ッ プ 抵 抗		
R056	RD354224	CARBON RESISTOR (CHIP)	22.0 63M J RECT.	チ ッ プ 抵 抗		
-058	RD354224	CARBON RESISTOR (CHIP)	22.0 63M J RECT.	チ ッ プ 抵 抗		
R059	RD154332	CARBON RESISTOR (CHIP)	33.0 1/4 J TP	チ ッ プ 抵 抗		

*: New Parts

MIXS

REF NO.	PART NO.	DESCRIPTION		部	品	名	REMARKS	QTY
R060	RD154332	CARBON RESISTOR (CHIP)	33.0 1/4 J TP	チ	ッ	ブ 抵 抗		
R061	RD355182	CARBON RESISTOR (CHIP)	180.0 63M J RECT.	チ	ッ	ブ 抵 抗		
R062	RD355101	CARBON RESISTOR (CHIP)	100.0 63M J RECT.	チ	ッ	ブ 抵 抗		
R063	RD354224	CARBON RESISTOR (CHIP)	22.0 63M J RECT.	チ	ッ	ブ 抵 抗		
R064	RD354224	CARBON RESISTOR (CHIP)	22.0 63M J RECT.	チ	ッ	ブ 抵 抗		
R065	RD355332	CARBON RESISTOR (CHIP)	330.0 63M J RECT.	チ	ッ	ブ 抵 抗		
-069	RD355332	CARBON RESISTOR (CHIP)	330.0 63M J RECT.	チ	ッ	ブ 抵 抗		
R070	RD154332	CARBON RESISTOR (CHIP)	33.0 1/4 J TP	チ	ッ	ブ 抵 抗		
R071	RD354224	CARBON RESISTOR (CHIP)	22.0 63M J RECT.	チ	ッ	ブ 抵 抗		
R072	RD150001	CARBON RESISTOR (CHIP)	0.0 1/4 J TP	チ	ッ	ブ 抵 抗		
-074	RD150001	CARBON RESISTOR (CHIP)	0.0 1/4 J TP	チ	ッ	ブ 抵 抗		
R101	RF458150	CARBON RESISTOR (CHIP)	150.0K D RECT.	チ	ッ	ブ 抵 抗		
R102	WJ117700	CARBON RESISTOR (CHIP)	6.8K 1/4W D 2012	チ	ッ	ブ 抵 抗		
R102	ZQ907500	CARBON RESISTOR (CHIP)	6.8K 1/4W D 2012	チ	ッ	ブ 抵 抗		
R103	RF458182	CARBON RESISTOR (CHIP)	180.0K D RECT.	チ	ッ	ブ 抵 抗		
R104	WJ117700	CARBON RESISTOR (CHIP)	6.8K 1/4W D 2012	チ	ッ	ブ 抵 抗		
R104	ZQ907500	CARBON RESISTOR (CHIP)	6.8K 1/4W D 2012	チ	ッ	ブ 抵 抗		
R105	RF458182	CARBON RESISTOR (CHIP)	180.0K D RECT.	チ	ッ	ブ 抵 抗		
R106	RF456271	CARBON RESISTOR (CHIP)	2.7K D RECT.	チ	ッ	ブ 抵 抗		
R107	RF456271	CARBON RESISTOR (CHIP)	2.7K D RECT.	チ	ッ	ブ 抵 抗		
R108	RF455391	CARBON RESISTOR (CHIP)	390.0 D RECT.	チ	ッ	ブ 抵 抗		
R109	RF455391	CARBON RESISTOR (CHIP)	390.0 D RECT.	チ	ッ	ブ 抵 抗		
R110	RF456102	CARBON RESISTOR (CHIP)	1.0K D RECT.	チ	ッ	ブ 抵 抗		
R111	RF456102	CARBON RESISTOR (CHIP)	1.0K D RECT.	チ	ッ	ブ 抵 抗		
R112	RF456271	CARBON RESISTOR (CHIP)	2.7K D RECT.	チ	ッ	ブ 抵 抗		
R113	RF458150	CARBON RESISTOR (CHIP)	150.0K D RECT.	チ	ッ	ブ 抵 抗		
R114	RF458182	CARBON RESISTOR (CHIP)	180.0K D RECT.	チ	ッ	ブ 抵 抗		
R115	RF456271	CARBON RESISTOR (CHIP)	2.7K D RECT.	チ	ッ	ブ 抵 抗		
R116	RF458182	CARBON RESISTOR (CHIP)	180.0K D RECT.	チ	ッ	ブ 抵 抗		
R117	RF458150	CARBON RESISTOR (CHIP)	150.0K D RECT.	チ	ッ	ブ 抵 抗		
R118	RD358102	CARBON RESISTOR (CHIP)	100.0K 63M J RECT.	チ	ッ	ブ 抵 抗		
R119	RD357332	CARBON RESISTOR (CHIP)	33.0K 63M J RECT.	チ	ッ	ブ 抵 抗		
R120	RD357681	CARBON RESISTOR (CHIP)	68.0K 63M J RECT.	チ	ッ	ブ 抵 抗		
R121	RD358102	CARBON RESISTOR (CHIP)	100.0K 63M J RECT.	チ	ッ	ブ 抵 抗		
R122	RD358102	CARBON RESISTOR (CHIP)	100.0K 63M J RECT.	チ	ッ	ブ 抵 抗		
R151	RD357102	CARBON RESISTOR (CHIP)	10.0K 63M J RECT.	チ	ッ	ブ 抵 抗		
R152	RD355681	CARBON RESISTOR (CHIP)	680.0 63M J RECT.	チ	ッ	ブ 抵 抗		
R153	RD356272	CARBON RESISTOR (CHIP)	2.7K 63M J RECT.	チ	ッ	ブ 抵 抗		
R154	RD357102	CARBON RESISTOR (CHIP)	10.0K 63M J RECT.	チ	ッ	ブ 抵 抗		
R155	RD357102	CARBON RESISTOR (CHIP)	10.0K 63M J RECT.	チ	ッ	ブ 抵 抗		
R156	RD355681	CARBON RESISTOR (CHIP)	680.0 63M J RECT.	チ	ッ	ブ 抵 抗		
R157	RD356272	CARBON RESISTOR (CHIP)	2.7K 63M J RECT.	チ	ッ	ブ 抵 抗		
R158	RD356272	CARBON RESISTOR (CHIP)	2.7K 63M J RECT.	チ	ッ	ブ 抵 抗		
R159	RD356561	CARBON RESISTOR (CHIP)	5.6K 63M J RECT.	チ	ッ	ブ 抵 抗		
R160	RD356122	CARBON RESISTOR (CHIP)	1.2K 63M J RECT.	チ	ッ	ブ 抵 抗		
R161	RD357102	CARBON RESISTOR (CHIP)	10.0K 63M J RECT.	チ	ッ	ブ 抵 抗		
R162	RD35718R	CARBON RESISTOR (CHIP)	18.0K 63M J RECT.	チ	ッ	ブ 抵 抗		
R163	RD35718R	CARBON RESISTOR (CHIP)	18.0K 63M J RECT.	チ	ッ	ブ 抵 抗		
R164	RD356561	CARBON RESISTOR (CHIP)	5.6K 63M J RECT.	チ	ッ	ブ 抵 抗		
R165	RD357392	CARBON RESISTOR (CHIP)	39.0K 63M J RECT.	チ	ッ	ブ 抵 抗		
R166	RD355182	CARBON RESISTOR (CHIP)	180.0 63M J RECT.	チ	ッ	ブ 抵 抗		
R167	RD350003	CARBON RESISTOR (CHIP)	0 63M J RECT.	チ	ッ	ブ 抵 抗		
R201	WJ117700	CARBON RESISTOR (CHIP)	6.8K 1/4W D 2012	チ	ッ	ブ 抵 抗		
R201	ZQ907500	CARBON RESISTOR (CHIP)	6.8K 1/4W D 2012	チ	ッ	ブ 抵 抗		
R202	RF458182	CARBON RESISTOR (CHIP)	180.0K D RECT.	チ	ッ	ブ 抵 抗		
R203	WJ117700	CARBON RESISTOR (CHIP)	6.8K 1/4W D 2012	チ	ッ	ブ 抵 抗		
R203	ZQ907500	CARBON RESISTOR (CHIP)	6.8K 1/4W D 2012	チ	ッ	ブ 抵 抗		
R204	RF458182	CARBON RESISTOR (CHIP)	180.0K D RECT.	チ	ッ	ブ 抵 抗		
R205	RF456271	CARBON RESISTOR (CHIP)	2.7K D RECT.	チ	ッ	ブ 抵 抗		
R206	RF456271	CARBON RESISTOR (CHIP)	2.7K D RECT.	チ	ッ	ブ 抵 抗		
R207	RF455391	CARBON RESISTOR (CHIP)	390.0 D RECT.	チ	ッ	ブ 抵 抗		
R208	RF455391	CARBON RESISTOR (CHIP)	390.0 D RECT.	チ	ッ	ブ 抵 抗		
R209	RF456102	CARBON RESISTOR (CHIP)	1.0K D RECT.	チ	ッ	ブ 抵 抗		
R210	RF456102	CARBON RESISTOR (CHIP)	1.0K D RECT.	チ	ッ	ブ 抵 抗		
R211	RF456271	CARBON RESISTOR (CHIP)	2.7K D RECT.	チ	ッ	ブ 抵 抗		
R212	RF458150	CARBON RESISTOR (CHIP)	150.0K D RECT.	チ	ッ	ブ 抵 抗		
R213	RF458182	CARBON RESISTOR (CHIP)	180.0K D RECT.	チ	ッ	ブ 抵 抗		
R214	RF456271	CARBON RESISTOR (CHIP)	2.7K D RECT.	チ	ッ	ブ 抵 抗		
R215	RF458182	CARBON RESISTOR (CHIP)	180.0K D RECT.	チ	ッ	ブ 抵 抗		
R216	RF458150	CARBON RESISTOR (CHIP)	150.0K D RECT.	チ	ッ	ブ 抵 抗		

*: New Parts

MIXS

REF NO.	PART NO.	DESCRIPTION	部	品	名	REMARKS	QTY
R217	RD358102	CARBON RESISTOR (CHIP)	100.0K 63M J RECT.	チ	ッ	ブ 抵 抗	
R218	RD357332	CARBON RESISTOR (CHIP)	33.0K 63M J RECT.	チ	ッ	ブ 抵 抗	
R219	RD357681	CARBON RESISTOR (CHIP)	68.0K 63M J RECT.	チ	ッ	ブ 抵 抗	
R220	RD358102	CARBON RESISTOR (CHIP)	100.0K 63M J RECT.	チ	ッ	ブ 抵 抗	
R221	RD358102	CARBON RESISTOR (CHIP)	100.0K 63M J RECT.	チ	ッ	ブ 抵 抗	
R222	RD350003	CARBON RESISTOR (CHIP)	0 63M J RECT.	チ	ッ	ブ 抵 抗	
R223	RD350003	CARBON RESISTOR (CHIP)	0 63M J RECT.	チ	ッ	ブ 抵 抗	
R251	RD357102	CARBON RESISTOR (CHIP)	10.0K 63M J RECT.	チ	ッ	ブ 抵 抗	
R252	RD355681	CARBON RESISTOR (CHIP)	680.0 63M J RECT.	チ	ッ	ブ 抵 抗	
R253	RD356272	CARBON RESISTOR (CHIP)	2.7K 63M J RECT.	チ	ッ	ブ 抵 抗	
R254	RD357102	CARBON RESISTOR (CHIP)	10.0K 63M J RECT.	チ	ッ	ブ 抵 抗	
R255	RD357102	CARBON RESISTOR (CHIP)	10.0K 63M J RECT.	チ	ッ	ブ 抵 抗	
R256	RD355681	CARBON RESISTOR (CHIP)	680.0 63M J RECT.	チ	ッ	ブ 抵 抗	
R257	RD356272	CARBON RESISTOR (CHIP)	2.7K 63M J RECT.	チ	ッ	ブ 抵 抗	
R258	RD356272	CARBON RESISTOR (CHIP)	2.7K 63M J RECT.	チ	ッ	ブ 抵 抗	
R259	RD356561	CARBON RESISTOR (CHIP)	5.6K 63M J RECT.	チ	ッ	ブ 抵 抗	
R260	RD356122	CARBON RESISTOR (CHIP)	1.2K 63M J RECT.	チ	ッ	ブ 抵 抗	
R261	RD357102	CARBON RESISTOR (CHIP)	10.0K 63M J RECT.	チ	ッ	ブ 抵 抗	
R262	RD35718R	CARBON RESISTOR (CHIP)	18.0K 63M J RECT.	チ	ッ	ブ 抵 抗	
R263	RD35718R	CARBON RESISTOR (CHIP)	18.0K 63M J RECT.	チ	ッ	ブ 抵 抗	
R264	RD356561	CARBON RESISTOR (CHIP)	5.6K 63M J RECT.	チ	ッ	ブ 抵 抗	
R265	RD357392	CARBON RESISTOR (CHIP)	39.0K 63M J RECT.	チ	ッ	ブ 抵 抗	
R266	RD355182	CARBON RESISTOR (CHIP)	180.0 63M J RECT.	チ	ッ	ブ 抵 抗	
R301	WJ117700	CARBON RESISTOR (CHIP)	6.8K 1/4W D 2012	チ	ッ	ブ 抵 抗	
R301	ZQ907500	CARBON RESISTOR (CHIP)	6.8K 1/4W D 2012	チ	ッ	ブ 抵 抗	
R302	WJ117700	CARBON RESISTOR (CHIP)	6.8K 1/4W D 2012	チ	ッ	ブ 抵 抗	
R302	ZQ907500	CARBON RESISTOR (CHIP)	6.8K 1/4W D 2012	チ	ッ	ブ 抵 抗	
R303	RF458182	CARBON RESISTOR (CHIP)	180.0K D RECT.	チ	ッ	ブ 抵 抗	
R304	RF458182	CARBON RESISTOR (CHIP)	180.0K D RECT.	チ	ッ	ブ 抵 抗	
R305	RD358102	CARBON RESISTOR (CHIP)	100.0K 63M J RECT.	チ	ッ	ブ 抵 抗	
R307	RF456271	CARBON RESISTOR (CHIP)	2.7K D RECT.	チ	ッ	ブ 抵 抗	
R308	RF456271	CARBON RESISTOR (CHIP)	2.7K D RECT.	チ	ッ	ブ 抵 抗	
R311	RD357332	CARBON RESISTOR (CHIP)	33.0K 63M J RECT.	チ	ッ	ブ 抵 抗	
R312	RD357681	CARBON RESISTOR (CHIP)	68.0K 63M J RECT.	チ	ッ	ブ 抵 抗	
R313	RD358102	CARBON RESISTOR (CHIP)	100.0K 63M J RECT.	チ	ッ	ブ 抵 抗	
R315	RF455391	CARBON RESISTOR (CHIP)	390.0 D RECT.	チ	ッ	ブ 抵 抗	
R316	RF455391	CARBON RESISTOR (CHIP)	390.0 D RECT.	チ	ッ	ブ 抵 抗	
R319	RF456102	CARBON RESISTOR (CHIP)	1.0K D RECT.	チ	ッ	ブ 抵 抗	
R320	RF456102	CARBON RESISTOR (CHIP)	1.0K D RECT.	チ	ッ	ブ 抵 抗	
R321	RF456271	CARBON RESISTOR (CHIP)	2.7K D RECT.	チ	ッ	ブ 抵 抗	
R322	RF458150	CARBON RESISTOR (CHIP)	150.0K D RECT.	チ	ッ	ブ 抵 抗	
R323	RD358102	CARBON RESISTOR (CHIP)	100.0K 63M J RECT.	チ	ッ	ブ 抵 抗	
R324	RF458182	CARBON RESISTOR (CHIP)	180.0K D RECT.	チ	ッ	ブ 抵 抗	
R325	RF456271	CARBON RESISTOR (CHIP)	2.7K D RECT.	チ	ッ	ブ 抵 抗	
R326	RF458182	CARBON RESISTOR (CHIP)	180.0K D RECT.	チ	ッ	ブ 抵 抗	
R327	RF458150	CARBON RESISTOR (CHIP)	150.0K D RECT.	チ	ッ	ブ 抵 抗	
R351	RD357102	CARBON RESISTOR (CHIP)	10.0K 63M J RECT.	チ	ッ	ブ 抵 抗	
R352	RD355681	CARBON RESISTOR (CHIP)	680.0 63M J RECT.	チ	ッ	ブ 抵 抗	
R353	RD356272	CARBON RESISTOR (CHIP)	2.7K 63M J RECT.	チ	ッ	ブ 抵 抗	
R354	RD357102	CARBON RESISTOR (CHIP)	10.0K 63M J RECT.	チ	ッ	ブ 抵 抗	
R355	RD357102	CARBON RESISTOR (CHIP)	10.0K 63M J RECT.	チ	ッ	ブ 抵 抗	
R356	RD355681	CARBON RESISTOR (CHIP)	680.0 63M J RECT.	チ	ッ	ブ 抵 抗	
R357	RD356272	CARBON RESISTOR (CHIP)	2.7K 63M J RECT.	チ	ッ	ブ 抵 抗	
R358	RD356272	CARBON RESISTOR (CHIP)	2.7K 63M J RECT.	チ	ッ	ブ 抵 抗	
R359	RD356561	CARBON RESISTOR (CHIP)	5.6K 63M J RECT.	チ	ッ	ブ 抵 抗	
R360	RD356122	CARBON RESISTOR (CHIP)	1.2K 63M J RECT.	チ	ッ	ブ 抵 抗	
R361	RD357102	CARBON RESISTOR (CHIP)	10.0K 63M J RECT.	チ	ッ	ブ 抵 抗	
R362	RD35718R	CARBON RESISTOR (CHIP)	18.0K 63M J RECT.	チ	ッ	ブ 抵 抗	
R363	RD35718R	CARBON RESISTOR (CHIP)	18.0K 63M J RECT.	チ	ッ	ブ 抵 抗	
R364	RD356561	CARBON RESISTOR (CHIP)	5.6K 63M J RECT.	チ	ッ	ブ 抵 抗	
R365	RD357392	CARBON RESISTOR (CHIP)	39.0K 63M J RECT.	チ	ッ	ブ 抵 抗	
R366	RD355182	CARBON RESISTOR (CHIP)	180.0 63M J RECT.	チ	ッ	ブ 抵 抗	
R367	RD350003	CARBON RESISTOR (CHIP)	0 63M J RECT.	チ	ッ	ブ 抵 抗	
R401	WJ117700	CARBON RESISTOR (CHIP)	6.8K 1/4W D 2012	チ	ッ	ブ 抵 抗	
R401	ZQ907500	CARBON RESISTOR (CHIP)	6.8K 1/4W D 2012	チ	ッ	ブ 抵 抗	
R402	WJ117700	CARBON RESISTOR (CHIP)	6.8K 1/4W D 2012	チ	ッ	ブ 抵 抗	
R402	ZQ907500	CARBON RESISTOR (CHIP)	6.8K 1/4W D 2012	チ	ッ	ブ 抵 抗	
R403	RD359470	CARBON RESISTOR (CHIP)	4.7M 63M J RECT.	チ	ッ	ブ 抵 抗	
R404	RD359470	CARBON RESISTOR (CHIP)	4.7M 63M J RECT.	チ	ッ	ブ 抵 抗	
R405	RF458221	CARBON RESISTOR (CHIP)	220.0K D RECT.	チ	ッ	ブ 抵 抗	

*: New Parts

MIXS

REF NO.	PART NO.	DESCRIPTION	部	品	名	REMARKS	QTY
R406	RF458221	CARBON RESISTOR (CHIP)	220.0K D RECT.	チ	ッ	ブ 抵 抗	
R407	RF456271	CARBON RESISTOR (CHIP)	2.7K D RECT.	チ	ッ	ブ 抵 抗	
-410	RF456271	CARBON RESISTOR (CHIP)	2.7K D RECT.	チ	ッ	ブ 抵 抗	
R411	RF458221	CARBON RESISTOR (CHIP)	220.0K D RECT.	チ	ッ	ブ 抵 抗	
R412	RF458221	CARBON RESISTOR (CHIP)	220.0K D RECT.	チ	ッ	ブ 抵 抗	
R413	RD350003	CARBON RESISTOR (CHIP)	0 63M J RECT.	チ	ッ	ブ 抵 抗	
R414	RD359470	CARBON RESISTOR (CHIP)	4.7M 63M J RECT.	チ	ッ	ブ 抵 抗	
R415	RF455391	CARBON RESISTOR (CHIP)	390.0 D RECT.	チ	ッ	ブ 抵 抗	
R416	RF455391	CARBON RESISTOR (CHIP)	390.0 D RECT.	チ	ッ	ブ 抵 抗	
R417	RD359220	CARBON RESISTOR (CHIP)	2.2M 63M J RECT.	チ	ッ	ブ 抵 抗	
R418	RD357102	CARBON RESISTOR (CHIP)	10.0K 63M J RECT.	チ	ッ	ブ 抵 抗	
R419	RF456102	CARBON RESISTOR (CHIP)	1.0K D RECT.	チ	ッ	ブ 抵 抗	
R420	RF456102	CARBON RESISTOR (CHIP)	1.0K D RECT.	チ	ッ	ブ 抵 抗	
R421	RF456271	CARBON RESISTOR (CHIP)	2.7K D RECT.	チ	ッ	ブ 抵 抗	
R422	RF458150	CARBON RESISTOR (CHIP)	150.0K D RECT.	チ	ッ	ブ 抵 抗	
R423	RD358102	CARBON RESISTOR (CHIP)	100.0K 63M J RECT.	チ	ッ	ブ 抵 抗	
R424	RF458182	CARBON RESISTOR (CHIP)	180.0K D RECT.	チ	ッ	ブ 抵 抗	
R425	RF456271	CARBON RESISTOR (CHIP)	2.7K D RECT.	チ	ッ	ブ 抵 抗	
R426	RF458182	CARBON RESISTOR (CHIP)	180.0K D RECT.	チ	ッ	ブ 抵 抗	
R427	RF458150	CARBON RESISTOR (CHIP)	150.0K D RECT.	チ	ッ	ブ 抵 抗	
R428	RD350003	CARBON RESISTOR (CHIP)	0 63M J RECT.	チ	ッ	ブ 抵 抗	
R429	RD350003	CARBON RESISTOR (CHIP)	0 63M J RECT.	チ	ッ	ブ 抵 抗	
R451	RD357102	CARBON RESISTOR (CHIP)	10.0K 63M J RECT.	チ	ッ	ブ 抵 抗	
R452	RD355681	CARBON RESISTOR (CHIP)	680.0 63M J RECT.	チ	ッ	ブ 抵 抗	
R453	RD356272	CARBON RESISTOR (CHIP)	2.7K 63M J RECT.	チ	ッ	ブ 抵 抗	
R454	RD357102	CARBON RESISTOR (CHIP)	10.0K 63M J RECT.	チ	ッ	ブ 抵 抗	
R455	RD357102	CARBON RESISTOR (CHIP)	10.0K 63M J RECT.	チ	ッ	ブ 抵 抗	
R456	RD355681	CARBON RESISTOR (CHIP)	680.0 63M J RECT.	チ	ッ	ブ 抵 抗	
R457	RD356272	CARBON RESISTOR (CHIP)	2.7K 63M J RECT.	チ	ッ	ブ 抵 抗	
R458	RD356272	CARBON RESISTOR (CHIP)	2.7K 63M J RECT.	チ	ッ	ブ 抵 抗	
R459	RD356561	CARBON RESISTOR (CHIP)	5.6K 63M J RECT.	チ	ッ	ブ 抵 抗	
R460	RD356122	CARBON RESISTOR (CHIP)	1.2K 63M J RECT.	チ	ッ	ブ 抵 抗	
R461	RD357102	CARBON RESISTOR (CHIP)	10.0K 63M J RECT.	チ	ッ	ブ 抵 抗	
R462	RD35718R	CARBON RESISTOR (CHIP)	18.0K 63M J RECT.	チ	ッ	ブ 抵 抗	
R463	RD35718R	CARBON RESISTOR (CHIP)	18.0K 63M J RECT.	チ	ッ	ブ 抵 抗	
R464	RD356561	CARBON RESISTOR (CHIP)	5.6K 63M J RECT.	チ	ッ	ブ 抵 抗	
R465	RD357392	CARBON RESISTOR (CHIP)	39.0K 63M J RECT.	チ	ッ	ブ 抵 抗	
R466	RD355182	CARBON RESISTOR (CHIP)	180.0 63M J RECT.	チ	ッ	ブ 抵 抗	
R501	WJ117700	CARBON RESISTOR (CHIP)	6.8K 1/4W D 2012	チ	ッ	ブ 抵 抗	}
R501	ZQ907500	CARBON RESISTOR (CHIP)	6.8K 1/4W D 2012	チ	ッ	ブ 抵 抗	
R502	WJ117700	CARBON RESISTOR (CHIP)	6.8K 1/4W D 2012	チ	ッ	ブ 抵 抗	}
R502	ZQ907500	CARBON RESISTOR (CHIP)	6.8K 1/4W D 2012	チ	ッ	ブ 抵 抗	
R503	RD357681	CARBON RESISTOR (CHIP)	68.0K 63M J RECT.	チ	ッ	ブ 抵 抗	
R504	RD357681	CARBON RESISTOR (CHIP)	68.0K 63M J RECT.	チ	ッ	ブ 抵 抗	
R505	RD356682	CARBON RESISTOR (CHIP)	6.8K 63M J RECT.	チ	ッ	ブ 抵 抗	
R506	RD357122	CARBON RESISTOR (CHIP)	12.0K 63M J RECT.	チ	ッ	ブ 抵 抗	
R507	RD356682	CARBON RESISTOR (CHIP)	6.8K 63M J RECT.	チ	ッ	ブ 抵 抗	
R508	RD357122	CARBON RESISTOR (CHIP)	12.0K 63M J RECT.	チ	ッ	ブ 抵 抗	
R509	RF455471	CARBON RESISTOR (CHIP)	470.0 D RECT.	チ	ッ	ブ 抵 抗	
R510	RF455471	CARBON RESISTOR (CHIP)	470.0 D RECT.	チ	ッ	ブ 抵 抗	
R511	RF456121	CARBON RESISTOR (CHIP)	1.2K D 1608	チ	ッ	ブ 抵 抗	
R512	RF456121	CARBON RESISTOR (CHIP)	1.2K D 1608	チ	ッ	ブ 抵 抗	
R513	RD356682	CARBON RESISTOR (CHIP)	6.8K 63M J RECT.	チ	ッ	ブ 抵 抗	
R514	RD356682	CARBON RESISTOR (CHIP)	6.8K 63M J RECT.	チ	ッ	ブ 抵 抗	
R515	RF458102	CARBON RESISTOR (CHIP)	100.0K D RECT.	チ	ッ	ブ 抵 抗	
R516	RF458102	CARBON RESISTOR (CHIP)	100.0K D RECT.	チ	ッ	ブ 抵 抗	
R517	RD357102	CARBON RESISTOR (CHIP)	10.0K 63M J RECT.	チ	ッ	ブ 抵 抗	
R518	RD355681	CARBON RESISTOR (CHIP)	680.0 63M J RECT.	チ	ッ	ブ 抵 抗	
R519	RD356272	CARBON RESISTOR (CHIP)	2.7K 63M J RECT.	チ	ッ	ブ 抵 抗	
R520	RD357102	CARBON RESISTOR (CHIP)	10.0K 63M J RECT.	チ	ッ	ブ 抵 抗	
R521	RD355681	CARBON RESISTOR (CHIP)	680.0 63M J RECT.	チ	ッ	ブ 抵 抗	
R522	RD356272	CARBON RESISTOR (CHIP)	2.7K 63M J RECT.	チ	ッ	ブ 抵 抗	
R523	RD357102	CARBON RESISTOR (CHIP)	10.0K 63M J RECT.	チ	ッ	ブ 抵 抗	
R524	RD357102	CARBON RESISTOR (CHIP)	10.0K 63M J RECT.	チ	ッ	ブ 抵 抗	
R525	RD355681	CARBON RESISTOR (CHIP)	680.0 63M J RECT.	チ	ッ	ブ 抵 抗	
R526	RD356272	CARBON RESISTOR (CHIP)	2.7K 63M J RECT.	チ	ッ	ブ 抵 抗	
R527	RD357102	CARBON RESISTOR (CHIP)	10.0K 63M J RECT.	チ	ッ	ブ 抵 抗	
R528	RD357102	CARBON RESISTOR (CHIP)	10.0K 63M J RECT.	チ	ッ	ブ 抵 抗	
R529	RD355681	CARBON RESISTOR (CHIP)	680.0 63M J RECT.	チ	ッ	ブ 抵 抗	
R530	RD356272	CARBON RESISTOR (CHIP)	2.7K 63M J RECT.	チ	ッ	ブ 抵 抗	

*: New Parts

MIXS

REF NO.	PART NO.	DESCRIPTION	部	品	名	REMARKS	QTY
-532	RD356272	CARBON RESISTOR (CHIP)	2.7K 63M J RECT.	チ	ッ	ブ 抵 抗	
R533	RD356561	CARBON RESISTOR (CHIP)	5.6K 63M J RECT.	チ	ッ	ブ 抵 抗	
R534	RD356561	CARBON RESISTOR (CHIP)	5.6K 63M J RECT.	チ	ッ	ブ 抵 抗	
R535	RD356122	CARBON RESISTOR (CHIP)	1.2K 63M J RECT.	チ	ッ	ブ 抵 抗	
R536	RD356122	CARBON RESISTOR (CHIP)	1.2K 63M J RECT.	チ	ッ	ブ 抵 抗	
R537	RD357102	CARBON RESISTOR (CHIP)	10.0K 63M J RECT.	チ	ッ	ブ 抵 抗	
R538	RD357102	CARBON RESISTOR (CHIP)	10.0K 63M J RECT.	チ	ッ	ブ 抵 抗	
R539	RD356152	CARBON RESISTOR (CHIP)	1.5K 63M J RECT.	チ	ッ	ブ 抵 抗	
R540	RD356152	CARBON RESISTOR (CHIP)	1.5K 63M J RECT.	チ	ッ	ブ 抵 抗	
R541	RD356472	CARBON RESISTOR (CHIP)	4.7K 63M J RECT.	チ	ッ	ブ 抵 抗	
R542	RD356472	CARBON RESISTOR (CHIP)	4.7K 63M J RECT.	チ	ッ	ブ 抵 抗	
R543	RD35718R	CARBON RESISTOR (CHIP)	18.0K 63M J RECT.	チ	ッ	ブ 抵 抗	
R544	RD35718R	CARBON RESISTOR (CHIP)	18.0K 63M J RECT.	チ	ッ	ブ 抵 抗	
R545	RD356332	CARBON RESISTOR (CHIP)	3.3K 63M J RECT.	チ	ッ	ブ 抵 抗	
R546	RD357222	CARBON RESISTOR (CHIP)	22.0K 63M J RECT.	チ	ッ	ブ 抵 抗	
R547	RD355223	CARBON RESISTOR (CHIP)	220.0 63M J RECT.	チ	ッ	ブ 抵 抗	
R548	RD355223	CARBON RESISTOR (CHIP)	220.0 63M J RECT.	チ	ッ	ブ 抵 抗	
R549	RD350003	CARBON RESISTOR (CHIP)	0 63M J RECT.	チ	ッ	ブ 抵 抗	
-552	RD350003	CARBON RESISTOR (CHIP)	0 63M J RECT.	チ	ッ	ブ 抵 抗	
R601	WJ117700	CARBON RESISTOR (CHIP)	6.8K 1/4W D 2012	チ	ッ	ブ 抵 抗	
R601	ZQ907500	CARBON RESISTOR (CHIP)	6.8K 1/4W D 2012	チ	ッ	ブ 抵 抗	
R602	WJ117700	CARBON RESISTOR (CHIP)	6.8K 1/4W D 2012	チ	ッ	ブ 抵 抗	
R602	ZQ907500	CARBON RESISTOR (CHIP)	6.8K 1/4W D 2012	チ	ッ	ブ 抵 抗	
R603	RD357681	CARBON RESISTOR (CHIP)	68.0K 63M J RECT.	チ	ッ	ブ 抵 抗	
R604	RD357681	CARBON RESISTOR (CHIP)	68.0K 63M J RECT.	チ	ッ	ブ 抵 抗	
R605	RD356682	CARBON RESISTOR (CHIP)	6.8K 63M J RECT.	チ	ッ	ブ 抵 抗	
R606	RD357122	CARBON RESISTOR (CHIP)	12.0K 63M J RECT.	チ	ッ	ブ 抵 抗	
R607	RD356682	CARBON RESISTOR (CHIP)	6.8K 63M J RECT.	チ	ッ	ブ 抵 抗	
R608	RD357122	CARBON RESISTOR (CHIP)	12.0K 63M J RECT.	チ	ッ	ブ 抵 抗	
R609	RF455471	CARBON RESISTOR (CHIP)	470.0 D RECT.	チ	ッ	ブ 抵 抗	
R610	RF455471	CARBON RESISTOR (CHIP)	470.0 D RECT.	チ	ッ	ブ 抵 抗	
R611	RF456121	CARBON RESISTOR (CHIP)	1.2K D 1608	チ	ッ	ブ 抵 抗	
R612	RF456121	CARBON RESISTOR (CHIP)	1.2K D 1608	チ	ッ	ブ 抵 抗	
R613	RD356682	CARBON RESISTOR (CHIP)	6.8K 63M J RECT.	チ	ッ	ブ 抵 抗	
R614	RD356682	CARBON RESISTOR (CHIP)	6.8K 63M J RECT.	チ	ッ	ブ 抵 抗	
R615	RF458102	CARBON RESISTOR (CHIP)	100.0K D RECT.	チ	ッ	ブ 抵 抗	
R616	RF458102	CARBON RESISTOR (CHIP)	100.0K D RECT.	チ	ッ	ブ 抵 抗	
R617	RD357102	CARBON RESISTOR (CHIP)	10.0K 63M J RECT.	チ	ッ	ブ 抵 抗	
R618	RD355681	CARBON RESISTOR (CHIP)	680.0 63M J RECT.	チ	ッ	ブ 抵 抗	
R619	RD356272	CARBON RESISTOR (CHIP)	2.7K 63M J RECT.	チ	ッ	ブ 抵 抗	
R620	RD357102	CARBON RESISTOR (CHIP)	10.0K 63M J RECT.	チ	ッ	ブ 抵 抗	
R621	RD355681	CARBON RESISTOR (CHIP)	680.0 63M J RECT.	チ	ッ	ブ 抵 抗	
R622	RD356272	CARBON RESISTOR (CHIP)	2.7K 63M J RECT.	チ	ッ	ブ 抵 抗	
R623	RD357102	CARBON RESISTOR (CHIP)	10.0K 63M J RECT.	チ	ッ	ブ 抵 抗	
R624	RD357102	CARBON RESISTOR (CHIP)	10.0K 63M J RECT.	チ	ッ	ブ 抵 抗	
R625	RD355681	CARBON RESISTOR (CHIP)	680.0 63M J RECT.	チ	ッ	ブ 抵 抗	
R626	RD356272	CARBON RESISTOR (CHIP)	2.7K 63M J RECT.	チ	ッ	ブ 抵 抗	
R627	RD357102	CARBON RESISTOR (CHIP)	10.0K 63M J RECT.	チ	ッ	ブ 抵 抗	
R628	RD357102	CARBON RESISTOR (CHIP)	10.0K 63M J RECT.	チ	ッ	ブ 抵 抗	
R629	RD355681	CARBON RESISTOR (CHIP)	680.0 63M J RECT.	チ	ッ	ブ 抵 抗	
R630	RD356272	CARBON RESISTOR (CHIP)	2.7K 63M J RECT.	チ	ッ	ブ 抵 抗	
-632	RD356272	CARBON RESISTOR (CHIP)	2.7K 63M J RECT.	チ	ッ	ブ 抵 抗	
R633	RD356561	CARBON RESISTOR (CHIP)	5.6K 63M J RECT.	チ	ッ	ブ 抵 抗	
R634	RD356561	CARBON RESISTOR (CHIP)	5.6K 63M J RECT.	チ	ッ	ブ 抵 抗	
R635	RD356122	CARBON RESISTOR (CHIP)	1.2K 63M J RECT.	チ	ッ	ブ 抵 抗	
R636	RD356122	CARBON RESISTOR (CHIP)	1.2K 63M J RECT.	チ	ッ	ブ 抵 抗	
R637	RD357102	CARBON RESISTOR (CHIP)	10.0K 63M J RECT.	チ	ッ	ブ 抵 抗	
R638	RD357102	CARBON RESISTOR (CHIP)	10.0K 63M J RECT.	チ	ッ	ブ 抵 抗	
R639	RD356152	CARBON RESISTOR (CHIP)	1.5K 63M J RECT.	チ	ッ	ブ 抵 抗	
R640	RD356152	CARBON RESISTOR (CHIP)	1.5K 63M J RECT.	チ	ッ	ブ 抵 抗	
R641	RD356472	CARBON RESISTOR (CHIP)	4.7K 63M J RECT.	チ	ッ	ブ 抵 抗	
R642	RD356472	CARBON RESISTOR (CHIP)	4.7K 63M J RECT.	チ	ッ	ブ 抵 抗	
R643	RD35718R	CARBON RESISTOR (CHIP)	18.0K 63M J RECT.	チ	ッ	ブ 抵 抗	
R644	RD35718R	CARBON RESISTOR (CHIP)	18.0K 63M J RECT.	チ	ッ	ブ 抵 抗	
R645	RD356332	CARBON RESISTOR (CHIP)	3.3K 63M J RECT.	チ	ッ	ブ 抵 抗	
R646	RD357222	CARBON RESISTOR (CHIP)	22.0K 63M J RECT.	チ	ッ	ブ 抵 抗	
R647	RD355223	CARBON RESISTOR (CHIP)	220.0 63M J RECT.	チ	ッ	ブ 抵 抗	
R648	RD355223	CARBON RESISTOR (CHIP)	220.0 63M J RECT.	チ	ッ	ブ 抵 抗	
R649	RD350003	CARBON RESISTOR (CHIP)	0 63M J RECT.	チ	ッ	ブ 抵 抗	
-651	RD350003	CARBON RESISTOR (CHIP)	0 63M J RECT.	チ	ッ	ブ 抵 抗	

*: New Parts

MIXS

REF NO.	PART NO.	DESCRIPTION		部	品	名	REMARKS	QTY
R701	WJ117700	CARBON RESISTOR (CHIP)	6.8K 1/4W D 2012	チ	ッ	ブ 抵 抗	}	
R701	ZQ907500	CARBON RESISTOR (CHIP)	6.8K 1/4W D 2012	チ	ッ	ブ 抵 抗		
R702	WJ117700	CARBON RESISTOR (CHIP)	6.8K 1/4W D 2012	チ	ッ	ブ 抵 抗		
R702	ZQ907500	CARBON RESISTOR (CHIP)	6.8K 1/4W D 2012	チ	ッ	ブ 抵 抗		
R703	RD357122	CARBON RESISTOR (CHIP)	12.0K 63M J RECT.	チ	ッ	ブ 抵 抗		
R704	RD357122	CARBON RESISTOR (CHIP)	12.0K 63M J RECT.	チ	ッ	ブ 抵 抗	}	
R705	RF455471	CARBON RESISTOR (CHIP)	470.0 D RECT.	チ	ッ	ブ 抵 抗		
R706	RF455471	CARBON RESISTOR (CHIP)	470.0 D RECT.	チ	ッ	ブ 抵 抗		
R707	RD357102	CARBON RESISTOR (CHIP)	10.0K 63M J RECT.	チ	ッ	ブ 抵 抗		
R708	RD357821	CARBON RESISTOR (CHIP)	82.0K 63M J RECT.	チ	ッ	ブ 抵 抗		
R709	RD357102	CARBON RESISTOR (CHIP)	10.0K 63M J RECT.	チ	ッ	ブ 抵 抗		
R710	RD357821	CARBON RESISTOR (CHIP)	82.0K 63M J RECT.	チ	ッ	ブ 抵 抗		
R711	RF456121	CARBON RESISTOR (CHIP)	1.2K D 1608	チ	ッ	ブ 抵 抗		
R712	RF456121	CARBON RESISTOR (CHIP)	1.2K D 1608	チ	ッ	ブ 抵 抗	}	
R713	RF458102	CARBON RESISTOR (CHIP)	100.0K D RECT.	チ	ッ	ブ 抵 抗		
R714	RD357102	CARBON RESISTOR (CHIP)	10.0K 63M J RECT.	チ	ッ	ブ 抵 抗		
R715	RD357102	CARBON RESISTOR (CHIP)	10.0K 63M J RECT.	チ	ッ	ブ 抵 抗		
R716	RF458102	CARBON RESISTOR (CHIP)	100.0K D RECT.	チ	ッ	ブ 抵 抗		
R717	RD357102	CARBON RESISTOR (CHIP)	10.0K 63M J RECT.	チ	ッ	ブ 抵 抗		
R718	RD355681	CARBON RESISTOR (CHIP)	680.0 63M J RECT.	チ	ッ	ブ 抵 抗		
R719	RD356272	CARBON RESISTOR (CHIP)	2.7K 63M J RECT.	チ	ッ	ブ 抵 抗		
R720	RD357102	CARBON RESISTOR (CHIP)	10.0K 63M J RECT.	チ	ッ	ブ 抵 抗		
R721	RD355681	CARBON RESISTOR (CHIP)	680.0 63M J RECT.	チ	ッ	ブ 抵 抗		
R722	RD356272	CARBON RESISTOR (CHIP)	2.7K 63M J RECT.	チ	ッ	ブ 抵 抗		
R723	RD357102	CARBON RESISTOR (CHIP)	10.0K 63M J RECT.	チ	ッ	ブ 抵 抗		
R724	RD357102	CARBON RESISTOR (CHIP)	10.0K 63M J RECT.	チ	ッ	ブ 抵 抗	}	
R725	RD355681	CARBON RESISTOR (CHIP)	680.0 63M J RECT.	チ	ッ	ブ 抵 抗		
R726	RD356272	CARBON RESISTOR (CHIP)	2.7K 63M J RECT.	チ	ッ	ブ 抵 抗		
R727	RD357102	CARBON RESISTOR (CHIP)	10.0K 63M J RECT.	チ	ッ	ブ 抵 抗		
R728	RD357102	CARBON RESISTOR (CHIP)	10.0K 63M J RECT.	チ	ッ	ブ 抵 抗		
R729	RD355681	CARBON RESISTOR (CHIP)	680.0 63M J RECT.	チ	ッ	ブ 抵 抗		
R730	RD356272	CARBON RESISTOR (CHIP)	2.7K 63M J RECT.	チ	ッ	ブ 抵 抗		
-732	RD356272	CARBON RESISTOR (CHIP)	2.7K 63M J RECT.	チ	ッ	ブ 抵 抗		
R733	RD356561	CARBON RESISTOR (CHIP)	5.6K 63M J RECT.	チ	ッ	ブ 抵 抗		
R734	RD356561	CARBON RESISTOR (CHIP)	5.6K 63M J RECT.	チ	ッ	ブ 抵 抗		
R735	RD356122	CARBON RESISTOR (CHIP)	1.2K 63M J RECT.	チ	ッ	ブ 抵 抗		
R736	RD355223	CARBON RESISTOR (CHIP)	220.0 63M J RECT.	チ	ッ	ブ 抵 抗		
R737	RD356122	CARBON RESISTOR (CHIP)	1.2K 63M J RECT.	チ	ッ	ブ 抵 抗		
R738	RD355223	CARBON RESISTOR (CHIP)	220.0 63M J RECT.	チ	ッ	ブ 抵 抗		
R739	RD357102	CARBON RESISTOR (CHIP)	10.0K 63M J RECT.	チ	ッ	ブ 抵 抗		
R740	RD357102	CARBON RESISTOR (CHIP)	10.0K 63M J RECT.	チ	ッ	ブ 抵 抗	}	
R741	RD356152	CARBON RESISTOR (CHIP)	1.5K 63M J RECT.	チ	ッ	ブ 抵 抗		
R742	RD356152	CARBON RESISTOR (CHIP)	1.5K 63M J RECT.	チ	ッ	ブ 抵 抗		
R743	RD356472	CARBON RESISTOR (CHIP)	4.7K 63M J RECT.	チ	ッ	ブ 抵 抗		
R744	RD356472	CARBON RESISTOR (CHIP)	4.7K 63M J RECT.	チ	ッ	ブ 抵 抗		
R745	RD35718R	CARBON RESISTOR (CHIP)	18.0K 63M J RECT.	チ	ッ	ブ 抵 抗		
R746	RD35718R	CARBON RESISTOR (CHIP)	18.0K 63M J RECT.	チ	ッ	ブ 抵 抗		
R747	RD356332	CARBON RESISTOR (CHIP)	3.3K 63M J RECT.	チ	ッ	ブ 抵 抗		
R748	RD357222	CARBON RESISTOR (CHIP)	22.0K 63M J RECT.	チ	ッ	ブ 抵 抗		
R749	RD350003	CARBON RESISTOR (CHIP)	0 63M J RECT.	チ	ッ	ブ 抵 抗		
-751	RD350003	CARBON RESISTOR (CHIP)	0 63M J RECT.	チ	ッ	ブ 抵 抗		
R801	WJ117700	CARBON RESISTOR (CHIP)	6.8K 1/4W D 2012	チ	ッ	ブ 抵 抗		
R801	ZQ907500	CARBON RESISTOR (CHIP)	6.8K 1/4W D 2012	チ	ッ	ブ 抵 抗		
R802	WJ117700	CARBON RESISTOR (CHIP)	6.8K 1/4W D 2012	チ	ッ	ブ 抵 抗		
R802	ZQ907500	CARBON RESISTOR (CHIP)	6.8K 1/4W D 2012	チ	ッ	ブ 抵 抗		
R803	RF455471	CARBON RESISTOR (CHIP)	470.0 D RECT.	チ	ッ	ブ 抵 抗		
R804	RF455471	CARBON RESISTOR (CHIP)	470.0 D RECT.	チ	ッ	ブ 抵 抗	}	
R805	RD357122	CARBON RESISTOR (CHIP)	12.0K 63M J RECT.	チ	ッ	ブ 抵 抗		
R806	RD357122	CARBON RESISTOR (CHIP)	12.0K 63M J RECT.	チ	ッ	ブ 抵 抗		
R807	RF456121	CARBON RESISTOR (CHIP)	1.2K D 1608	チ	ッ	ブ 抵 抗		
R808	RF456121	CARBON RESISTOR (CHIP)	1.2K D 1608	チ	ッ	ブ 抵 抗		
R809	RD357102	CARBON RESISTOR (CHIP)	10.0K 63M J RECT.	チ	ッ	ブ 抵 抗		
R810	RD357821	CARBON RESISTOR (CHIP)	82.0K 63M J RECT.	チ	ッ	ブ 抵 抗		
R811	RD357102	CARBON RESISTOR (CHIP)	10.0K 63M J RECT.	チ	ッ	ブ 抵 抗		
R812	RD357821	CARBON RESISTOR (CHIP)	82.0K 63M J RECT.	チ	ッ	ブ 抵 抗		
R813	RF458102	CARBON RESISTOR (CHIP)	100.0K D RECT.	チ	ッ	ブ 抵 抗		
R814	RD357102	CARBON RESISTOR (CHIP)	10.0K 63M J RECT.	チ	ッ	ブ 抵 抗		
R815	RD357102	CARBON RESISTOR (CHIP)	10.0K 63M J RECT.	チ	ッ	ブ 抵 抗		
R816	RF458102	CARBON RESISTOR (CHIP)	100.0K D RECT.	チ	ッ	ブ 抵 抗		
R817	RD357102	CARBON RESISTOR (CHIP)	10.0K 63M J RECT.	チ	ッ	ブ 抵 抗		

*: New Parts

MIXS

REF NO.	PART NO.	DESCRIPTION		部	品	名	REMARKS	QTY
R818	RD355681	CARBON RESISTOR (CHIP)	680.0 63M J RECT.	チ	ッ	ブ	抵抗	
R819	RD356272	CARBON RESISTOR (CHIP)	2.7K 63M J RECT.	チ	ッ	ブ	抵抗	
R820	RD357102	CARBON RESISTOR (CHIP)	10.0K 63M J RECT.	チ	ッ	ブ	抵抗	
R821	RD355681	CARBON RESISTOR (CHIP)	680.0 63M J RECT.	チ	ッ	ブ	抵抗	
R822	RD356272	CARBON RESISTOR (CHIP)	2.7K 63M J RECT.	チ	ッ	ブ	抵抗	
R823	RD357102	CARBON RESISTOR (CHIP)	10.0K 63M J RECT.	チ	ッ	ブ	抵抗	
R824	RD357102	CARBON RESISTOR (CHIP)	10.0K 63M J RECT.	チ	ッ	ブ	抵抗	
R825	RD355681	CARBON RESISTOR (CHIP)	680.0 63M J RECT.	チ	ッ	ブ	抵抗	
R826	RD356272	CARBON RESISTOR (CHIP)	2.7K 63M J RECT.	チ	ッ	ブ	抵抗	
R827	RD357102	CARBON RESISTOR (CHIP)	10.0K 63M J RECT.	チ	ッ	ブ	抵抗	
R828	RD357102	CARBON RESISTOR (CHIP)	10.0K 63M J RECT.	チ	ッ	ブ	抵抗	
R829	RD355681	CARBON RESISTOR (CHIP)	680.0 63M J RECT.	チ	ッ	ブ	抵抗	
R830	RD356272	CARBON RESISTOR (CHIP)	2.7K 63M J RECT.	チ	ッ	ブ	抵抗	
-832	RD356272	CARBON RESISTOR (CHIP)	2.7K 63M J RECT.	チ	ッ	ブ	抵抗	
R833	RD356561	CARBON RESISTOR (CHIP)	5.6K 63M J RECT.	チ	ッ	ブ	抵抗	
R834	RD356561	CARBON RESISTOR (CHIP)	5.6K 63M J RECT.	チ	ッ	ブ	抵抗	
R835	RD356122	CARBON RESISTOR (CHIP)	1.2K 63M J RECT.	チ	ッ	ブ	抵抗	
R836	RD355223	CARBON RESISTOR (CHIP)	220.0 63M J RECT.	チ	ッ	ブ	抵抗	
R837	RD356122	CARBON RESISTOR (CHIP)	1.2K 63M J RECT.	チ	ッ	ブ	抵抗	
R838	RD355223	CARBON RESISTOR (CHIP)	220.0 63M J RECT.	チ	ッ	ブ	抵抗	
R839	RD357102	CARBON RESISTOR (CHIP)	10.0K 63M J RECT.	チ	ッ	ブ	抵抗	
R840	RD357102	CARBON RESISTOR (CHIP)	10.0K 63M J RECT.	チ	ッ	ブ	抵抗	
R841	RD356152	CARBON RESISTOR (CHIP)	1.5K 63M J RECT.	チ	ッ	ブ	抵抗	
R842	RD356152	CARBON RESISTOR (CHIP)	1.5K 63M J RECT.	チ	ッ	ブ	抵抗	
R843	RD356472	CARBON RESISTOR (CHIP)	4.7K 63M J RECT.	チ	ッ	ブ	抵抗	
R844	RD356472	CARBON RESISTOR (CHIP)	4.7K 63M J RECT.	チ	ッ	ブ	抵抗	
R845	RD35718R	CARBON RESISTOR (CHIP)	18.0K 63M J RECT.	チ	ッ	ブ	抵抗	
R846	RD35718R	CARBON RESISTOR (CHIP)	18.0K 63M J RECT.	チ	ッ	ブ	抵抗	
R847	RD356332	CARBON RESISTOR (CHIP)	3.3K 63M J RECT.	チ	ッ	ブ	抵抗	
R848	RD357222	CARBON RESISTOR (CHIP)	22.0K 63M J RECT.	チ	ッ	ブ	抵抗	
R849	RD350003	CARBON RESISTOR (CHIP)	0 63M J RECT.	チ	ッ	ブ	抵抗	
R850	RD350003	CARBON RESISTOR (CHIP)	0 63M J RECT.	チ	ッ	ブ	抵抗	
R901	RD355182	CARBON RESISTOR (CHIP)	180.0 63M J RECT.	チ	ッ	ブ	抵抗	
R902	RD35718R	CARBON RESISTOR (CHIP)	18.0K 63M J RECT.	チ	ッ	ブ	抵抗	
-907	RD35718R	CARBON RESISTOR (CHIP)	18.0K 63M J RECT.	チ	ッ	ブ	抵抗	
R908	RD358102	CARBON RESISTOR (CHIP)	100.0K 63M J RECT.	チ	ッ	ブ	抵抗	
R909	RD356472	CARBON RESISTOR (CHIP)	4.7K 63M J RECT.	チ	ッ	ブ	抵抗	
R910	RD356472	CARBON RESISTOR (CHIP)	4.7K 63M J RECT.	チ	ッ	ブ	抵抗	
R911	RD357122	CARBON RESISTOR (CHIP)	12.0K 63M J RECT.	チ	ッ	ブ	抵抗	
-914	RD357122	CARBON RESISTOR (CHIP)	12.0K 63M J RECT.	チ	ッ	ブ	抵抗	
R915	RD357271	CARBON RESISTOR (CHIP)	27.0K 63M J RECT.	チ	ッ	ブ	抵抗	
-918	RD357271	CARBON RESISTOR (CHIP)	27.0K 63M J RECT.	チ	ッ	ブ	抵抗	
R919	RD356472	CARBON RESISTOR (CHIP)	4.7K 63M J RECT.	チ	ッ	ブ	抵抗	
R920	RD356472	CARBON RESISTOR (CHIP)	4.7K 63M J RECT.	チ	ッ	ブ	抵抗	
R921	RD357392	CARBON RESISTOR (CHIP)	39.0K 63M J RECT.	チ	ッ	ブ	抵抗	
R922	RD357392	CARBON RESISTOR (CHIP)	39.0K 63M J RECT.	チ	ッ	ブ	抵抗	
R923	RD358102	CARBON RESISTOR (CHIP)	100.0K 63M J RECT.	チ	ッ	ブ	抵抗	
R924	RD358102	CARBON RESISTOR (CHIP)	100.0K 63M J RECT.	チ	ッ	ブ	抵抗	
R925	RD355562	CARBON RESISTOR (CHIP)	560.0 63M J RECT.	チ	ッ	ブ	抵抗	
R926	RD355562	CARBON RESISTOR (CHIP)	560.0 63M J RECT.	チ	ッ	ブ	抵抗	
R927	RD356103	CARBON RESISTOR (CHIP)	1.0K 63M J RECT.	チ	ッ	ブ	抵抗	
R928	RD356103	CARBON RESISTOR (CHIP)	1.0K 63M J RECT.	チ	ッ	ブ	抵抗	
R929	RD356822	CARBON RESISTOR (CHIP)	8.2K 63M J RECT.	チ	ッ	ブ	抵抗	
R930	RD356822	CARBON RESISTOR (CHIP)	8.2K 63M J RECT.	チ	ッ	ブ	抵抗	
R931	RD350003	CARBON RESISTOR (CHIP)	0 63M J RECT.	チ	ッ	ブ	抵抗	
R932	RD350003	CARBON RESISTOR (CHIP)	0 63M J RECT.	チ	ッ	ブ	抵抗	
R933	RD357472	CARBON RESISTOR (CHIP)	47.0K 63M J RECT.	チ	ッ	ブ	抵抗	
R934	RD357472	CARBON RESISTOR (CHIP)	47.0K 63M J RECT.	チ	ッ	ブ	抵抗	
R935	RD357102	CARBON RESISTOR (CHIP)	10.0K 63M J RECT.	チ	ッ	ブ	抵抗	
R936	RD357102	CARBON RESISTOR (CHIP)	10.0K 63M J RECT.	チ	ッ	ブ	抵抗	
R937	RD357472	CARBON RESISTOR (CHIP)	47.0K 63M J RECT.	チ	ッ	ブ	抵抗	
R938	RD357152	CARBON RESISTOR (CHIP)	15.0K 63M J RECT.	チ	ッ	ブ	抵抗	
R939	RD355562	CARBON RESISTOR (CHIP)	560.0 63M J RECT.	チ	ッ	ブ	抵抗	
R940	RD355562	CARBON RESISTOR (CHIP)	560.0 63M J RECT.	チ	ッ	ブ	抵抗	
R941	RD357152	CARBON RESISTOR (CHIP)	15.0K 63M J RECT.	チ	ッ	ブ	抵抗	
-944	RD357152	CARBON RESISTOR (CHIP)	15.0K 63M J RECT.	チ	ッ	ブ	抵抗	
R945	RD358102	CARBON RESISTOR (CHIP)	100.0K 63M J RECT.	チ	ッ	ブ	抵抗	
-947	RD358102	CARBON RESISTOR (CHIP)	100.0K 63M J RECT.	チ	ッ	ブ	抵抗	
R948	RD355562	CARBON RESISTOR (CHIP)	560.0 63M J RECT.	チ	ッ	ブ	抵抗	
R949	RD355562	CARBON RESISTOR (CHIP)	560.0 63M J RECT.	チ	ッ	ブ	抵抗	

*: New Parts

MIXS

REF NO.	PART NO.	DESCRIPTION		部	品	名	REMARKS	QTY
R950	RD358102	CARBON RESISTOR (CHIP)	100.0K 63M J RECT.	チ	ッ	ブ 抵 抗		
R951	RD358102	CARBON RESISTOR (CHIP)	100.0K 63M J RECT.	チ	ッ	ブ 抵 抗		
R952	RD156221	CARBON RESISTOR (CHIP)	2.2K 1/4 J TP	チ	ッ	ブ 抵 抗		
R953	RD350003	CARBON RESISTOR (CHIP)	0 63M J RECT.	チ	ッ	ブ 抵 抗		
RU01	RD35718R	CARBON RESISTOR (CHIP)	18.0K 63M J RECT.	チ	ッ	ブ 抵 抗		
RU02	RD357472	CARBON RESISTOR (CHIP)	47.0K 63M J RECT.	チ	ッ	ブ 抵 抗		
RU03	RD357472	CARBON RESISTOR (CHIP)	47.0K 63M J RECT.	チ	ッ	ブ 抵 抗		
RU04	RD357392	CARBON RESISTOR (CHIP)	39.0K 63M J RECT.	チ	ッ	ブ 抵 抗		
RU05	RD356472	CARBON RESISTOR (CHIP)	4.7K 63M J RECT.	チ	ッ	ブ 抵 抗		
RU06	RD356472	CARBON RESISTOR (CHIP)	4.7K 63M J RECT.	チ	ッ	ブ 抵 抗		
RU07	RD357122	CARBON RESISTOR (CHIP)	12.0K 63M J RECT.	チ	ッ	ブ 抵 抗		
-09	RD357122	CARBON RESISTOR (CHIP)	12.0K 63M J RECT.	チ	ッ	ブ 抵 抗		
RU10	RD357271	CARBON RESISTOR (CHIP)	27.0K 63M J RECT.	チ	ッ	ブ 抵 抗		
-12	RD357271	CARBON RESISTOR (CHIP)	27.0K 63M J RECT.	チ	ッ	ブ 抵 抗		
RU13	RD356472	CARBON RESISTOR (CHIP)	4.7K 63M J RECT.	チ	ッ	ブ 抵 抗		
RU14	RD356332	CARBON RESISTOR (CHIP)	3.3K 63M J RECT.	チ	ッ	ブ 抵 抗		
RU15	RD357392	CARBON RESISTOR (CHIP)	39.0K 63M J RECT.	チ	ッ	ブ 抵 抗		
RU16	RD357392	CARBON RESISTOR (CHIP)	39.0K 63M J RECT.	チ	ッ	ブ 抵 抗		
RU17	RD356472	CARBON RESISTOR (CHIP)	4.7K 63M J RECT.	チ	ッ	ブ 抵 抗		
RU18	RD358102	CARBON RESISTOR (CHIP)	100.0K 63M J RECT.	チ	ッ	ブ 抵 抗		
RU19	RD358102	CARBON RESISTOR (CHIP)	100.0K 63M J RECT.	チ	ッ	ブ 抵 抗		
RU20	RD357222	CARBON RESISTOR (CHIP)	22.0K 63M J RECT.	チ	ッ	ブ 抵 抗		
RU21	RD357222	CARBON RESISTOR (CHIP)	22.0K 63M J RECT.	チ	ッ	ブ 抵 抗		
RU22	RD357102	CARBON RESISTOR (CHIP)	10.0K 63M J RECT.	チ	ッ	ブ 抵 抗		
RU23	RD358102	CARBON RESISTOR (CHIP)	100.0K 63M J RECT.	チ	ッ	ブ 抵 抗		
RU24	RD357472	CARBON RESISTOR (CHIP)	47.0K 63M J RECT.	チ	ッ	ブ 抵 抗		
RU25	RD357472	CARBON RESISTOR (CHIP)	47.0K 63M J RECT.	チ	ッ	ブ 抵 抗		
RU26	RD358102	CARBON RESISTOR (CHIP)	100.0K 63M J RECT.	チ	ッ	ブ 抵 抗		
RU27	RD358102	CARBON RESISTOR (CHIP)	100.0K 63M J RECT.	チ	ッ	ブ 抵 抗		
RU28	RD355332	CARBON RESISTOR (CHIP)	330.0 63M J RECT.	チ	ッ	ブ 抵 抗		
RU29	RD355332	CARBON RESISTOR (CHIP)	330.0 63M J RECT.	チ	ッ	ブ 抵 抗		
RU30	RD356822	CARBON RESISTOR (CHIP)	8.2K 63M J RECT.	チ	ッ	ブ 抵 抗		
RU31	RD356822	CARBON RESISTOR (CHIP)	8.2K 63M J RECT.	チ	ッ	ブ 抵 抗		
RU32	RD356272	CARBON RESISTOR (CHIP)	2.7K 63M J RECT.	チ	ッ	ブ 抵 抗		
RU33	RF455471	CARBON RESISTOR (CHIP)	470.0 D RECT.	チ	ッ	ブ 抵 抗		
RU34	RD356272	CARBON RESISTOR (CHIP)	2.7K 63M J RECT.	チ	ッ	ブ 抵 抗		
RU35	RF455391	CARBON RESISTOR (CHIP)	390.0 D RECT.	チ	ッ	ブ 抵 抗		
RU36	RD357102	CARBON RESISTOR (CHIP)	10.0K 63M J RECT.	チ	ッ	ブ 抵 抗		
RU37	RD357102	CARBON RESISTOR (CHIP)	10.0K 63M J RECT.	チ	ッ	ブ 抵 抗		
RU38	RD355562	CARBON RESISTOR (CHIP)	560.0 63M J RECT.	チ	ッ	ブ 抵 抗		
RU39	RD355562	CARBON RESISTOR (CHIP)	560.0 63M J RECT.	チ	ッ	ブ 抵 抗		
RU40	RD357152	CARBON RESISTOR (CHIP)	15.0K 63M J RECT.	チ	ッ	ブ 抵 抗		
RU41	RD357152	CARBON RESISTOR (CHIP)	15.0K 63M J RECT.	チ	ッ	ブ 抵 抗		
RU42	RD358102	CARBON RESISTOR (CHIP)	100.0K 63M J RECT.	チ	ッ	ブ 抵 抗		
RU43	RD358102	CARBON RESISTOR (CHIP)	100.0K 63M J RECT.	チ	ッ	ブ 抵 抗		
RU44	RD355562	CARBON RESISTOR (CHIP)	560.0 63M J RECT.	チ	ッ	ブ 抵 抗		
RU45	RD355562	CARBON RESISTOR (CHIP)	560.0 63M J RECT.	チ	ッ	ブ 抵 抗		
RU46	RD355101	CARBON RESISTOR (CHIP)	100.0 63M J RECT.	チ	ッ	ブ 抵 抗		
RU47	RD355101	CARBON RESISTOR (CHIP)	100.0 63M J RECT.	チ	ッ	ブ 抵 抗		
TR901	VD303701	TRANSISTOR	2SC3326 -A,B(TE85R)	ト	ラ	ン ジ ス タ 2 S C		
TR901	WC883402	TRANSISTOR	2SD2704 K TP	ト	ラ	ン ジ ス タ 2 S D		
TR901	WH372200	TRANSISTOR	2SC KTC2875-B TP	ト	ラ	ン ジ ス タ 2 S C		
TR902	VD303701	TRANSISTOR	2SC3326 -A,B(TE85R)	ト	ラ	ン ジ ス タ 2 S C		
TR902	WC883402	TRANSISTOR	2SD2704 K TP	ト	ラ	ン ジ ス タ 2 S D		
TR902	WH372200	TRANSISTOR	2SCKTC2875-B TP	ト	ラ	ン ジ ス タ 2 S C		
TR903	VV655601	DIGITAL TRANSISTOR (CHIP)	DTC143EKA TP	デ	ジ	タ ル ト ラ ン ジ ス タ		
TR904	VV556402	TRANSISTOR	2SC2412K Q,R,S TP	ト	ラ	ン ジ ス タ 2 S C		
TR904	WC529402	TRANSISTOR	KTC3875S-Y,GR-RTK	ト	ラ	ン ジ ス タ		
TR905	VV556502	TRANSISTOR	2SA1037AK Q,R,S TP	ト	ラ	ン ジ ス タ 2 S A		
TR905	WC529502	TRANSISTOR	KTA1504S-Y,GR-RTK	ト	ラ	ン ジ ス タ		
TR906	VD303701	TRANSISTOR	2SC3326 -A,B(TE85R)	ト	ラ	ン ジ ス タ 2 S C		
-909	VD303701	TRANSISTOR	2SC3326 -A,B(TE85R)	ト	ラ	ン ジ ス タ 2 S C		
TR906	WC883402	TRANSISTOR	2SD2704 K TP	ト	ラ	ン ジ ス タ 2 S D		
-909	WC883402	TRANSISTOR	2SD2704 K TP	ト	ラ	ン ジ ス タ 2 S D		
TR906	WH372200	TRANSISTOR	2SC KTC2875-B TP	ト	ラ	ン ジ ス タ 2 S C		
-909	WH372200	TRANSISTOR	2SC KTC2875-B TP	ト	ラ	ン ジ ス タ 2 S C		
TRU01	VD303701	TRANSISTOR	2SC3326 -A,B(TE85R)	ト	ラ	ン ジ ス タ 2 S C		
-04	VD303701	TRANSISTOR	2SC3326 -A,B(TE85R)	ト	ラ	ン ジ ス タ 2 S C		
TRU01	WC883402	TRANSISTOR	2SD2704 K TP	ト	ラ	ン ジ ス タ 2 S D		
-04	WC883402	TRANSISTOR	2SD2704 K TP	ト	ラ	ン ジ ス タ 2 S D		

*: New Parts

MIXS and OUTSW (OUT/SW) and PS

REF NO.	PART NO.	DESCRIPTION		部 品 名	REMARKS	QTY
TRU01	WH372200	TRANSISTOR	2SC KTC2875-B TP	トランジスタ 2 S C		
-04	WH372200	TRANSISTOR	2SCKTC2875-B TP	トランジスタ 2 S C		
*	ZR089400	CIRCUIT BOARD	OUTSW	O U T S W シ ー ト	EMX7/EMX5 (YH154C0)	
	--	CIRCUIT BOARD	OUT	O U T シ ー ト	EMX7/EMX5 (ZR08940)(YH154C0)	
	--	CIRCUIT BOARD	SW	S W シ ー ト	EMX7/EMX5 (ZR08940)(YH154C0)	
	--	CONNECTOR ASSEMBLY	GND1 SIN AWG18	G N D 1 束 線 インレット金具	(ZS80710)	
	--	INLET PLATE			(ZT23920)	
△	C101	ZJ424000	CAPACITOR	規格認定コン		
△	C102	ZJ424000	CAPACITOR	規格認定コン		
△	C103	ZG892200	CAPACITOR	規格認定コン K Y		
△	-106	ZG892200	CAPACITOR	規格認定コン K Y		
△	CN101	WH032400	AC INLET	A C インレット	AC IN	
	CN102	LB932031	CONNECTOR	ベ ー ス ポ ス ト		
	CN201	LB932041	CONNECTOR	ベ ー ス ポ ス ト		
	CN202	LB932052	CONNECTOR	ベ ー ス ポ ス ト		
	CN301	LB933070	CONNECTOR	ベ ー ス ポ ス ト		
△	F101	V5413700	FUSE	ヒューズ 2 5 0 V		
	FH101	WN103001	FUSE HOLDER	CLIP TP00351-31		
	FH102	WN103001	FUSE HOLDER	CLIP TP00351-31		
*	JK201	ZP504500	JACK CANON	レセプタクル 2 P	SPEAKERS A	
*	JK202	ZP504500	JACK CANON	レセプタクル 2 P	SPEAKERS B	
	K101	--	PLATE GROUND	プ レ ー ト G N D	(ZT23900)	
	K201	--	SCREW TERMINAL	スクリューターミナル	(WW83420)	
	K202	--	SCREW TERMINAL	スクリューターミナル	(WW83420)	
	L101	--	COIL FIXED	コ イ ル	(ZP31970)	
	L102	--	COIL FIXED	コ イ ル	(ZP31970)	
	L203	--	COIL FIXED	コ イ ル	(ZN36290)	
	L204	--	COIL FIXED	コ イ ル	(ZN36290)	
△	SW101	ZP307300	PUSH SWITCH	プ ッ シ ュ S W	POWER	
	C203	WJ835001	MONOLITHIC CERAMIC CAP(CHIP)	チップ積層セラコン		
	C204	WJ835001	MONOLITHIC CERAMIC CAP(CHIP)	チップ積層セラコン		
	C207	WJ835001	MONOLITHIC CERAMIC CAP(CHIP)	チップ積層セラコン		
	C208	WJ835001	MONOLITHIC CERAMIC CAP(CHIP)	チップ積層セラコン		
	C209	WH158401	CERAMIC CAPACITOR (CHIP)	チ ッ プ セ ラ		
	-212	WH158401	CERAMIC CAPACITOR (CHIP)	チ ッ プ セ ラ		
	C217	WH158401	CERAMIC CAPACITOR (CHIP)	チ ッ プ セ ラ		
	-220	WH158401	CERAMIC CAPACITOR (CHIP)	チ ッ プ セ ラ		
	C221	WJ835001	MONOLITHIC CERAMIC CAP(CHIP)	チップ積層セラコン		
	-228	WJ835001	MONOLITHIC CERAMIC CAP(CHIP)	チップ積層セラコン		
△	R101	ZC799900	CARBON RESISTOR (CHIP)	チ ッ プ 抵 抗		
△	R102	ZC799900	CARBON RESISTOR (CHIP)	チ ッ プ 抵 抗		
	R201	RD154332	CARBON RESISTOR (CHIP)	チ ッ プ 抵 抗		
	R202	RD154332	CARBON RESISTOR (CHIP)	チ ッ プ 抵 抗		
	R205	RD154332	CARBON RESISTOR (CHIP)	チ ッ プ 抵 抗		
	R206	RD154332	CARBON RESISTOR (CHIP)	チ ッ プ 抵 抗		
*	ZQ174200	CIRCUIT BOARD	PS	P S シ ー ト	EMX7/EMX5 (YG966F0)	
	VA798100	SILICON GREASE	X-113A G746	シリコングリス		
	ZD566400	PAN HEAD SCREW	3X12 MFZN2W3 SP D6	小 ネ ジ + P A N		14
	C104	WZ315600	CAPCITOR POLYPROPYLEN	P P コ ン		
*	C119	ZN305000	ELECTROLYTIC CAPACITOR	ケ ミ コ ン		
*	C120	ZN305000	ELECTROLYTIC CAPACITOR	ケ ミ コ ン		
	C122	WK456500	ELECTROLYTIC CAPACITOR	ケ ミ コ ン		
*	C204	ZA393800	CAPCITOR POLYPROPYLEN	P P コ ン		
*	C205	ZA126700	CAPCITOR POLYPROPYLEN	P P コ ン		
	C222	WH138300	ELECTROLYTIC CAPACITOR	ケ ミ コ ン		
	C223	WH138300	ELECTROLYTIC CAPACITOR	ケ ミ コ ン		
	C232	WH138300	ELECTROLYTIC CAPACITOR	ケ ミ コ ン		
	C233	WH138300	ELECTROLYTIC CAPACITOR	ケ ミ コ ン		
	C253	WN770100	ELECTROLYTIC CAPACITOR	ケ ミ コ ン		
	-256	WN770100	ELECTROLYTIC CAPACITOR	ケ ミ コ ン		
	CN201	LB932062	CONNECTOR	ベ ー ス ポ ス ト		
	CN202	VB858701	CONNECTOR	ベ ー ス ポ ス ト		
	CN204	VC16650R	CONNECTOR	ベ ー ス ポ ス ト		
	D106	V6351701	DIODE	ダ イ オ ー ド		
	DA202	WE23870R	DIODE STACK	ツ イン ダイ オ ー ド		
	-205	WE23870R	DIODE STACK	ツ イン ダイ オ ー ド		
△	DB101	WY035400	DIODE STACK	D i ス タ ッ ク		
	FB101	--	FERRITE CORE	フ ェ ラ イ ト コ ア	(WJ34750)	

*: New Parts

PS

REF NO.	PART NO.	DESCRIPTION	部 品 名	REMARKS	QTY
-103	--	FERRITE CORE	HF57BB3.5X5X1.3		(WJ34750)
⚠ *	FT101	ZT243200 POWER FET	FMV30N60S1 ST	フ ェ ラ イ ト コ ア	
⚠ *	FT102	ZT243200 POWER FET	FMV30N60S1 ST	F E T	
⚠ *	FT201	ZT243200 POWER FET	FMV30N60S1 ST	F E T	
⚠ *	FT202	ZT243200 POWER FET	FMV30N60S1 ST	F E T	
⚠ *	IC105	ZH019100 PHOTO COUPLER	TLP785(D4-GR,F)	フ ォ ト カ プ ラ	
⚠ *	IC203	ZH019100 PHOTO COUPLER	TLP785(D4-GR,F)	フ ォ ト カ プ ラ	
⚠ *	IC204	ZP323000 PHOTO COUPLER	6N137-060E	フ ォ ト カ プ ラ	
	IC206	X4930A01 IC	KIA7815API-U/P	レギュレーター	REGULATOR +15V
	IC206	XD853A00 IC	NJM7815FA	レギュレーター	
	IC207	X4931A01 IC	KIA7915PI-U/P	レギュレーター	REGULATOR -15V
	IC207	XD854A00 IC	NJM7915FA	レギュレーター	
	IC208	X4928A00 IC	KIA7805API/P	レギュレーター	REGULATOR +5V
	IC208	XJ607A00 IC	NJM7805FA	レギュレーター	
	IC209	X4928A00 IC	KIA7805API/P	レギュレーター	REGULATOR +5V
	IC209	XJ607A00 IC	NJM7805FA	レギュレーター	
	IC210	XK309A00 IC	NJM7905FA	レギュレーター	REGULATOR -5V
	K101	-- HS ASSEMBLY L50		放熱板 Ass'y L50	(ZT23800)
	K102	-- HS ASSEMBLY L70		放熱板 Ass'y L70	(ZT23860)
	K201	-- HS ASSEMBLY L50		放熱板 Ass'y L50	(ZT23880)
	-205	-- HS ASSEMBLY L50		放熱板 Ass'y L50	(ZT23880)
	K207	-- EARTH PLATE		アースプレート	(ZT23750)
	-209	-- EARTH PLATE		アースプレート	(ZT23750)
	L101	-- COIL FIXED	PI-OR002-0637 TATE	コイル	(ZP85500)
	L104	-- FIXED INDUCTOR	1mH PI-8003-0030 TAT	コイル 1 m H	(ZT86050)
	L201	-- FIXED INDUCTOR	10uH PI-DRU002-0283 TAT	コイル 1 0 U H	(ZJ99450)
	L202	-- FIXED INDUCTOR	10uH PI-DRU002-0283 TAT	コイル 1 0 U H	(ZJ99450)
	L209	-- FIXED INDUCTOR	47uH PI-DRU002-0284 TAT	コイル 4 7 U H	(ZJ99460)
	RY101	ZA134600 RELAY	DC DI12D1-O(M)	リレー	
⚠ *	T201	YG846A00 POWER TRANSFORMER	UL CSA CE DENAN E	電源トランス	
⚠ *	TH101	WY079700 THERMISTOR	15D2-15LD 15 OHM	サーミスタ	
	W101	-- CONNECTOR ASSEMBLY	OUTPS VH3 AWG18	O U T P S 束線	(ZS80440)
	W102	-- CONNECTOR ASSEMBLY	SW VH7 AWG18	S W 束線	(ZS80490)
	W201	-- CONNECTOR ASSEMBLY	5P 70mm B&C	圧着 Ass'y	(MB50507)
	W202	-- CONNECTOR ASSEMBLY	3P 70mm B&C	圧着 Ass'y	(MB50307)
	W203	-- CONNECTOR ASSEMBLY	7P 70mm B&C	圧着 Ass'y	(MB50707)
	C124	US063223 CERAMIC CAPACITOR (CHIP)	2200P 50V K RECT.	チップセラ(B)	
	C127	WK914900 MONOLITHIC CERAMIC CAP(CHIP)	68P 1000V J TE	チップ積層セラコン	
	C131	US062102 CERAMIC CAPACITOR (CHIP)	100P 50V J RECT.	チップセラ(SL)	
	C131	V3152100 CERAMIC CAPACITOR (CHIP)	100P 50V J KAKUTE	チップセラCH	
	C214	US035102 CERAMIC CAPACITOR (CHIP)	0.1000 16V K RECT.	チップセラ(B)	
	C216	US035102 CERAMIC CAPACITOR (CHIP)	0.1000 16V K RECT.	チップセラ(B)	
	C227	US064103 CERAMIC CAPACITOR (CHIP)	0.0100 50V K RECT.	チップセラ(B)	
	C231	WG888201 MONOLITHIC CERAMIC CAP(CHIP)	10.0 25V K TP	チップ積層セラコン	
	C236	V8085401 CERAMIC CAPACITOR (CHIP)	0.1000 25V K RECT.	チップセラ(B)	
	C237	V8085401 CERAMIC CAPACITOR (CHIP)	0.1000 25V K RECT.	チップセラ(B)	
	C244	V8085401 CERAMIC CAPACITOR (CHIP)	0.1000 25V K RECT.	チップセラ(B)	
	C245	V8085401 CERAMIC CAPACITOR (CHIP)	0.1000 25V K RECT.	チップセラ(B)	
	C259	US035102 CERAMIC CAPACITOR (CHIP)	0.1000 16V K RECT.	チップセラ(B)	
	C260	WU447001 CERAMIC CAPACITOR (CHIP)	0.1000 50V K RECT.	チップセラ(B)	
	C261	US035102 CERAMIC CAPACITOR (CHIP)	0.1000 16V K RECT.	チップセラ(B)	
	C265	WU447001 CERAMIC CAPACITOR (CHIP)	0.1000 50V K RECT.	チップセラ(B)	
	C267	US035102 CERAMIC CAPACITOR (CHIP)	0.1000 16V K RECT.	チップセラ(B)	
	C268	US035102 CERAMIC CAPACITOR (CHIP)	0.1000 16V K RECT.	チップセラ(B)	
	D105	WT856601 DIODE	M3F60-5063	ダイオード	
	D112	WJ459301 DIODE	D1FK60-5053 TE	ダイオード	
	D115	VS201101 DIODE	D1F60 1A 600V TP	チップダイオード	
	D116	VS201101 DIODE	D1F60 1A 600V TP	チップダイオード	
	D210	WK272200 DIODE	RB160M-60 TR	チップダイオード	
	D212	WK272200 DIODE	RB160M-60 TR	チップダイオード	
	D219	WR148501 DIODE	RB521S-30TE61 TE	ダイオード	
	D220	WR148501 DIODE	RB521S-30TE61 TE	ダイオード	
	D226	WR148501 DIODE	RB521S-30TE61 TE	ダイオード	
⚠ *	IC104	YH652A00 IC	BM2PA96F-GE2	レギュレーター	PWM CONTROLLER
⚠ *	IC202	YG525A00 IC	FAN7382MX	レギュレーター	GATE DRIVER
	IC205	XM182A0R IC	TC7S04F(TE85R,F)	レギュレーター	INVERTER
⚠ *	IC211	X8506A02 IC	TC74VHC123AFT EL,K	レギュレーター	SINGLE SHOT
	IC212	XS534A00 IC	NJM78M05DL1A	レギュレーター	REGULATOR +5V
	L211	ZJ245600 COIL INDUCTOR (CHIP)	470U CER1065B-471M	チップインダクタ	
	R156	WD203300 CARBON RESISTOR (CHIP)	1.0 1/2 F RECT.	チップ抵抗	

*: New Parts

PS

REF NO.	PART NO.	DESCRIPTION		部 品 名	REMARKS	QTY
* R163	WQ852600	CARBON RESISTOR (CHIP)	100.0 1W J 5025	チ ッ プ 抵 抗		
* R164	WQ852600	CARBON RESISTOR (CHIP)	100.0 1W J 5025	チ ッ プ 抵 抗		
R213	RD354102	CARBON RESISTOR (CHIP)	10.0 63M J RECT.	チ ッ プ 抵 抗		
R214	RD354102	CARBON RESISTOR (CHIP)	10.0 63M J RECT.	チ ッ プ 抵 抗		
R220	RD357222	CARBON RESISTOR (CHIP)	22.0K 63M J RECT.	チ ッ プ 抵 抗		
* R225	WQ852600	CARBON RESISTOR (CHIP)	100.0 1W J 5025	チ ッ プ 抵 抗		
R229	RD356221	CARBON RESISTOR (CHIP)	2.2K 63M J RECT.	チ ッ プ 抵 抗		
R230	RD155330	CARBON RESISTOR (CHIP)	330.0 1/4 J TP	チ ッ プ 抵 抗		
R231	RD357102	CARBON RESISTOR (CHIP)	10.0K 63M J RECT.	チ ッ プ 抵 抗		
R254	RD356103	CARBON RESISTOR (CHIP)	1.0K 63M J RECT.	チ ッ プ 抵 抗		
R263	RD357102	CARBON RESISTOR (CHIP)	10.0K 63M J RECT.	チ ッ プ 抵 抗		
TH201	ZD009600	THERMISTOR	PRF18BD471RB5RB 47	サ ー ミ ス タ		
TR209	VV556402	TRANSISTOR	2SC2412K Q,R,S TP	ト ラ ン ジ ス タ 2 S C		
ZD203	ZA385500	ZENER DIODE (CHIP)	TFZGTR27B 27V TP	ツ ェ ナ ー ダイ オ ー ド		
ZD204	ZA384600	ZENER DIODE (CHIP)	TFZGTR11B 11V TP	ツ ェ ナ ー ダイ オ ー ド		
ZD205	WY692100	ZENER DIODE (CHIP)	TFZGTR6.2B 6.2V TP	ツ ェ ナ ー ダイ オ ー ド		
C123	UR848220	ELECTROLYTIC CAPACITOR	220.00 25.0V RX TP	ケ ミ コ ン		
C125	UR847100	ELECTROLYTIC CAPACITOR	10.00 25.0V RX TP	ケ ミ コ ン		
C224	WW786900	ELECTROLYTIC CAPACITOR	100.0 25.0V TATETE	ケ ミ コ ン K Y		
C225	WW786900	ELECTROLYTIC CAPACITOR	100.0 25.0V TATETE	ケ ミ コ ン K Y		
C226	VN704300	ELECTROLYTIC CAPACITOR	10.00 100.0V RX TP	ケ ミ コ ン P S		
C228	VN704300	ELECTROLYTIC CAPACITOR	10.00 100.0V RX TP	ケ ミ コ ン P S		
C229	WG218100	ELECTROLYTIC CAPACITOR	100.00 16.0V	ケ ミ コ ン		
C230	WG218100	ELECTROLYTIC CAPACITOR	100.00 16.0V	ケ ミ コ ン		
C235	V8601000	ELECTROLYTIC CAPACITOR	100.00 63.0V RX TP	ケ ミ コ ン L X Z		
C240	WW786900	ELECTROLYTIC CAPACITOR	100.0 25.0V TATETE	ケ ミ コ ン K Y		
C241	WW786900	ELECTROLYTIC CAPACITOR	100.0 25.0V TATETE	ケ ミ コ ン K Y		
C242	WM448701	ELECTROLYTIC CAPACITOR	47.00 35.0V TP	ケ ミ コ ン P W		
C247	WM448800	ELECTROLYTIC CAPACITOR	47.00 63.0V TP	ケ ミ コ ン P W		
C248	WM448800	ELECTROLYTIC CAPACITOR	47.00 63.0V TP	ケ ミ コ ン P W		
C250	WG218100	ELECTROLYTIC CAPACITOR	100.00 16.0V	ケ ミ コ ン		
C251	WG218100	ELECTROLYTIC CAPACITOR	100.00 16.0V	ケ ミ コ ン		
C257	WM448701	ELECTROLYTIC CAPACITOR	47.00 35.0V TP	ケ ミ コ ン P W		
C264	UR847100	ELECTROLYTIC CAPACITOR	10.00 25.0V RX TP	ケ ミ コ ン		
FZ101	WN081301	FUSE	250V SEMKO/UL/PSE 2.00A	ヒ ュ ー ズ 2 5 0 V		
L203	GE300670	FERRIT BEAD	BL02RN2R1P1A TATET	フ ェ ラ イ ト ビ ー ズ		
-208	GE300670	FERRIT BEAD	BL02RN2R1P1A TATET	フ ェ ラ イ ト ビ ー ズ		
C106	US063102	CERAMIC CAPACITOR (CHIP)	1000P 50V K RECT.	チ ッ プ セ ラ (B)		
C107	US063102	CERAMIC CAPACITOR (CHIP)	1000P 50V K RECT.	チ ッ プ セ ラ (B)		
C108	US044222	CERAMIC CAPACITOR (CHIP)	0.0220 25V K RECT.	チ ッ プ セ ラ (B)		
C109	US044222	CERAMIC CAPACITOR (CHIP)	0.0220 25V K RECT.	チ ッ プ セ ラ (B)		
C110	US063471	CERAMIC CAPACITOR (CHIP)	4700P 50V K RECT.	チ ッ プ セ ラ (B)		
C111	US046102	CERAMIC CAPACITOR (CHIP)	1.00 25V K RECT.	チ ッ プ セ ラ (B)		
C112	US035102	CERAMIC CAPACITOR (CHIP)	0.1000 16V K RECT.	チ ッ プ セ ラ (B)		
C113	US064103	CERAMIC CAPACITOR (CHIP)	0.0100 50V K RECT.	チ ッ プ セ ラ (B)		
C114	WG888201	MONOLITHIC CERAMIC CAP(CHIP)	10.0 25V K TP	チ ッ プ 積 層 セ ラ コ ン		
C115	US062221	CERAMIC CAPACITOR (CHIP)	220P 50V J RECT.	チ ッ プ セ ラ (S L)		
C116	US062271	CERAMIC CAPACITOR (CHIP)	270P 50V J RECT.	チ ッ プ セ ラ (S L)		
C117	US063102	CERAMIC CAPACITOR (CHIP)	1000P 50V K RECT.	チ ッ プ セ ラ (B)		
C118	US062472	CERAMIC CAPACITOR (CHIP)	470P 50V J RECT.	チ ッ プ セ ラ (S L)		
C118	V585100R	CERAMIC CAPACITOR (CHIP)	470P 50V J KAKUTE	チ ッ プ セ ラ (C H)		
C129	US064103	CERAMIC CAPACITOR (CHIP)	0.0100 50V K RECT.	チ ッ プ セ ラ (B)		
C130	US064103	CERAMIC CAPACITOR (CHIP)	0.0100 50V K RECT.	チ ッ プ セ ラ (B)		
C201	US035102	CERAMIC CAPACITOR (CHIP)	0.1000 16V K RECT.	チ ッ プ セ ラ (B)		
C202	WG888201	MONOLITHIC CERAMIC CAP(CHIP)	10.0 25V K TP	チ ッ プ 積 層 セ ラ コ ン		
C203	US063223	CERAMIC CAPACITOR (CHIP)	2200P 50V K RECT.	チ ッ プ セ ラ (B)		
C206	WG888201	MONOLITHIC CERAMIC CAP(CHIP)	10.0 25V K TP	チ ッ プ 積 層 セ ラ コ ン		
C207	US035102	CERAMIC CAPACITOR (CHIP)	0.1000 16V K RECT.	チ ッ プ セ ラ (B)		
C209	US046102	CERAMIC CAPACITOR (CHIP)	1.00 25V K RECT.	チ ッ プ セ ラ (B)		
C210	V8085401	CERAMIC CAPACITOR (CHIP)	0.1000 25V K RECT.	チ ッ プ セ ラ (B)		
C211	WW715200	CERAMIC CAPACITOR (CHIP)	470P 50V G KAKUTE	チ ッ プ セ ラ (C H)		
C212	WY577400	MONOLITHIC CERAMIC CAP(CHIP)	0.47 25V K RECT.	チ ッ プ 積 層 セ ラ コ ン		
C213	US064103	CERAMIC CAPACITOR (CHIP)	0.0100 50V K RECT.	チ ッ プ セ ラ (B)		
C217	VZ585600	MONOLITHIC CERAMIC CAP(CHIP)	1000P 630V K RECT	チ ッ プ 積 層 セ ラ コ ン		
C218	US035102	CERAMIC CAPACITOR (CHIP)	0.1000 16V K RECT.	チ ッ プ セ ラ (B)		
C220	US062102	CERAMIC CAPACITOR (CHIP)	100P 50V J RECT.	チ ッ プ セ ラ (S L)		
C220	V3152100	CERAMIC CAPACITOR (CHIP)	100P 50V J KAKUTE-	チ ッ プ セ ラ C H		
C234	US035102	CERAMIC CAPACITOR (CHIP)	0.1000 16V K RECT.	チ ッ プ セ ラ (B)		
C238	US046102	CERAMIC CAPACITOR (CHIP)	1.00 25V K RECT.	チ ッ プ セ ラ (B)		
C239	US035102	CERAMIC CAPACITOR (CHIP)	0.1000 16V K RECT.	チ ッ プ セ ラ (B)		

*: New Parts

PS

REF NO.	PART NO.	DESCRIPTION	部 品 名	REMARKS	QTY
C243	US062221	CERAMIC CAPACITOR (CHIP)	220P 50V J RECT.	チップセラ (S L)	
C246	US035102	CERAMIC CAPACITOR (CHIP)	0.1000 16V K RECT.	チップセラ (B)	
C252	WN989600	CERAMIC CAPACITOR (CHIP)	0.1U 100V K KAKUTE	チップセラ	
C258	US064103	CERAMIC CAPACITOR (CHIP)	0.0100 50V K RECT.	チップセラ (B)	
C262	US035102	CERAMIC CAPACITOR (CHIP)	0.1000 16V K RECT.	チップセラ (B)	
C263	US035102	CERAMIC CAPACITOR (CHIP)	0.1000 16V K RECT.	チップセラ (B)	
C270	US064103	CERAMIC CAPACITOR (CHIP)	0.0100 50V K RECT.	チップセラ (B)	
C271	WY577400	MONOLITHIC CERAMIC CAP(CHIP)	0.47 25V K RECT.	チップ積層セラコン	
C272	VZ420802	MONOLITHIC CERAMIC CAP(CHIP)	0.100 100V K RECT.	チップ積層セラコン	
C273	VZ420802	MONOLITHIC CERAMIC CAP(CHIP)	0.100 100V K RECT.	チップ積層セラコン	
C274	US064103	CERAMIC CAPACITOR (CHIP)	0.0100 50V K RECT.	チップセラ (B)	
C275	WK716800	MONOLITHIC CERAMIC CAP(CHIP)	10.0 6.3V M TP	チップ積層セラコン	
C276	WK716800	MONOLITHIC CERAMIC CAP(CHIP)	10.0 6.3V M TP	チップ積層セラコン	
D107	WW783902	DIODE	1SS355VM	ダイオード	
-109	WW783902	DIODE	1SS355VM	ダイオード	
D111	WW783902	DIODE	1SS355VM	ダイオード	
D113	WJ459301	DIODE	D1FK60-5053 TE	ダイオード	
D201	WJ459301	DIODE	D1FK60-5053 TE	ダイオード	
D202	WJ459301	DIODE	D1FK60-5053 TE	ダイオード	
D203	ZA 147601	DIODE	RF081M2STR TE	ダイオード	
D204	ZA 147601	DIODE	RF081M2STR TE	ダイオード	
D205	ZK728400	DIODE	RB055L-60TE25 TP	ダイオード	
D206	ZK728400	DIODE	RB055L-60TE25 TP	ダイオード	
D207	WK272200	DIODE	RB160M-60 TR	チップダイオード	
D208	WW783902	DIODE	1SS355VM	ダイオード	
D209	WK272200	DIODE	RB160M-60 TR	チップダイオード	
D211	WK272200	DIODE	RB160M-60 TR	チップダイオード	
D213	WK272200	DIODE	RB160M-60 TR	チップダイオード	
D214	WK272200	DIODE	RB160M-60 TR	チップダイオード	
D215	WK272200	DIODE	RB160M-60 TR	チップダイオード	
D216	WR148501	DIODE	RB521S-30TE61 TE	ダイオード	
D217	WR148501	DIODE	RB521S-30TE61 TE	ダイオード	
D218	WW783902	DIODE	1SS355VM	ダイオード	
D222	WR148501	DIODE	RB521S-30TE61 TE	ダイオード	
-225	WR148501	DIODE	RB521S-30TE61 TE	ダイオード	
D227	WR148501	DIODE	RB521S-30TE61 TE	ダイオード	
D229	WR148501	DIODE	RB521S-30TE61 TE	ダイオード	
DA201	VV556301	DIODE ARRAY	DAN217 0.3A X2	ダイオードアレイ	
* FT203	WY079800	FET (CHIP)	RRR030P03TL TE	チップ F E T	
* FT204	WY079800	FET (CHIP)	RRR030P03TL TE	チップ F E T	
FT205	WN072100	FET (CHIP)	RTF015N03TL TE	チップ F E T	
⚠ IC102	YE110A00	IC	L6563STR PFC	IC	PFC CONTROLLER
IC103	X5814A01	IC	NJM2903M(TE1)	IC	OP AMP
IC201	YD831A00	IC	SG2525AP013TR	IC	PWM CONTROLLER
L102	V3307701	INDUCTANCE (CHIP)	BLM21BD102SN1D	チップインダクタ	
L103	V3307701	INDUCTANCE (CHIP)	BLM21BD102SN1D	チップインダクタ	
R109	RD158330	CARBON RESISTOR (CHIP)	330K 1/4 J TP	チップ抵抗	
-111	RD158330	CARBON RESISTOR (CHIP)	330K 1/4 J TP	チップ抵抗	
R112	RD356822	CARBON RESISTOR (CHIP)	8.2K 63M J RECT.	チップ抵抗	
R113	RD356152	CARBON RESISTOR (CHIP)	1.5K 63M J RECT.	チップ抵抗	
R114	RD356221	CARBON RESISTOR (CHIP)	2.2K 63M J RECT.	チップ抵抗	
R115	RF456391	CARBON RESISTOR (CHIP)	3.9K D RECT.	チップ抵抗	
R116	RF457121	CARBON RESISTOR (CHIP)	12.0K D RECT.	チップ抵抗	
R117	RF456181	CARBON RESISTOR (CHIP)	1.8K D RECT.	チップ抵抗	
R118	RF457103	CARBON RESISTOR (CHIP)	10.0K D RECT.	チップ抵抗	
R119	RD15447R	CARBON RESISTOR (CHIP)	47.0 1/4 J TP	チップ抵抗	
R120	RD15447R	CARBON RESISTOR (CHIP)	47.0 1/4 J TP	チップ抵抗	
R121	RD357472	CARBON RESISTOR (CHIP)	47.0K 63M J RECT.	チップ抵抗	
R123	RD357102	CARBON RESISTOR (CHIP)	10.0K 63M J RECT.	チップ抵抗	
R124	RD357222	CARBON RESISTOR (CHIP)	22.0K 63M J RECT.	チップ抵抗	
R125	RD358471	CARBON RESISTOR (CHIP)	470.0K 63M J RECT.	チップ抵抗	
R126	RD358471	CARBON RESISTOR (CHIP)	470.0K 63M J RECT.	チップ抵抗	
* R127	WW163800	CARBON RESISTOR (CHIP)	0.082 1W F 5025	チップ抵抗	
* R128	WW163800	CARBON RESISTOR (CHIP)	0.082 1W F 5025	チップ抵抗	
R129	RD357222	CARBON RESISTOR (CHIP)	22.0K 63M J RECT.	チップ抵抗	
* R130	WW163800	CARBON RESISTOR (CHIP)	0.082 1W F 5025	チップ抵抗	
* -133	WW163800	CARBON RESISTOR (CHIP)	0.082 1W F 5025	チップ抵抗	
R134	RD357152	CARBON RESISTOR (CHIP)	15.0K 63M J RECT.	チップ抵抗	
R135	RD356272	CARBON RESISTOR (CHIP)	2.7K 63M J RECT.	チップ抵抗	
R136	RD159101	CARBON RESISTOR (CHIP)	1.0M 1/4 J TP	チップ抵抗	

*: New Parts

PS

REF NO.	PART NO.	DESCRIPTION	部	品	名	REMARKS	QTY
R137	RD159101	CARBON RESISTOR (CHIP)	1.0M	1/4 J TP	チ ッ ブ 抵 抗		
R138	RD158561	CARBON RESISTOR (CHIP)	560K	1/4 J TP	チ ッ ブ 抵 抗		
* R139	RD158270	CARBON RESISTOR (CHIP)	270K	1/4 J TP	チ ッ ブ 抵 抗		
R140	RD358820	CARBON RESISTOR (CHIP)	820.0K	63M J RECT.	チ ッ ブ 抵 抗		
R141	RD358102	CARBON RESISTOR (CHIP)	100.0K	63M J RECT.	チ ッ ブ 抵 抗		
R142	VK583000	METAL FILM RESISTOR (CHIP)	680K	1/10 D RECT.	チ ッ ブ 金 被 抵 抗		
R143	VK583000	METAL FILM RESISTOR (CHIP)	680K	1/10 D RECT.	チ ッ ブ 金 被 抵 抗		
R144	VK582600	METAL FILM RESISTOR (CHIP)	470K	1/10 D RECT.	チ ッ ブ 金 被 抵 抗		
R145	RD158330	CARBON RESISTOR (CHIP)	330K	1/4 J TP	チ ッ ブ 抵 抗		
-147	RD158330	CARBON RESISTOR (CHIP)	330K	1/4 J TP	チ ッ ブ 抵 抗		
R148	RD357472	CARBON RESISTOR (CHIP)	47.0K	63M J RECT.	チ ッ ブ 抵 抗		
R149	RD358820	CARBON RESISTOR (CHIP)	820.0K	63M J RECT.	チ ッ ブ 抵 抗		
R150	RD158330	CARBON RESISTOR (CHIP)	330K	1/4 J TP	チ ッ ブ 抵 抗		
-152	RD158330	CARBON RESISTOR (CHIP)	330K	1/4 J TP	チ ッ ブ 抵 抗		
R157	RF455681	CARBON RESISTOR (CHIP)	680.0	D RECT.	チ ッ ブ 抵 抗		
R158	RF456102	CARBON RESISTOR (CHIP)	1.0K	D RECT.	チ ッ ブ 抵 抗		
R159	RF457151	CARBON RESISTOR (CHIP)	15.0K	D 1608	チ ッ ブ 抵 抗		
R160	RF457121	CARBON RESISTOR (CHIP)	12.0K	D RECT.	チ ッ ブ 抵 抗		
R161	RF456152	CARBON RESISTOR (CHIP)	1.5K	D RECT.	チ ッ ブ 抵 抗		
R162	RF457561	CARBON RESISTOR (CHIP)	56.0K	D RECT.	チ ッ ブ 抵 抗		
R165	RD350003	CARBON RESISTOR (CHIP)	0	63M J RECT.	チ ッ ブ 抵 抗		
R166	RF457511	CARBON RESISTOR (CHIP)	51.0K	D RECT.	チ ッ ブ 抵 抗		
R201	RD356332	CARBON RESISTOR (CHIP)	3.3K	63M J RECT.	チ ッ ブ 抵 抗		
R202	RD357102	CARBON RESISTOR (CHIP)	10.0K	63M J RECT.	チ ッ ブ 抵 抗		
R203	RD354472	CARBON RESISTOR (CHIP)	47.0	63M J RECT.	チ ッ ブ 抵 抗		
R204	RD354472	CARBON RESISTOR (CHIP)	47.0	63M J RECT.	チ ッ ブ 抵 抗		
R212	RD354102	CARBON RESISTOR (CHIP)	10.0	63M J RECT.	チ ッ ブ 抵 抗		
R215	RD354102	CARBON RESISTOR (CHIP)	10.0	63M J RECT.	チ ッ ブ 抵 抗		
R217	RD354102	CARBON RESISTOR (CHIP)	10.0	63M J RECT.	チ ッ ブ 抵 抗		
R218	RD354102	CARBON RESISTOR (CHIP)	10.0	63M J RECT.	チ ッ ブ 抵 抗		
R221	RD357222	CARBON RESISTOR (CHIP)	22.0K	63M J RECT.	チ ッ ブ 抵 抗		
R222	RD358120	CARBON RESISTOR (CHIP)	120.0K	63M J RECT.	チ ッ ブ 抵 抗		
R223	RF456102	CARBON RESISTOR (CHIP)	1.0K	D RECT.	チ ッ ブ 抵 抗		
R224	RD35718R	CARBON RESISTOR (CHIP)	18.0K	63M J RECT.	チ ッ ブ 抵 抗		
R226	RD154221	CARBON RESISTOR (CHIP)	22.0	1/4 J TP	チ ッ ブ 抵 抗		
R228	RD358102	CARBON RESISTOR (CHIP)	100.0K	63M J RECT.	チ ッ ブ 抵 抗		
R232	RD357122	CARBON RESISTOR (CHIP)	12.0K	63M J RECT.	チ ッ ブ 抵 抗		
R234	RD356332	CARBON RESISTOR (CHIP)	3.3K	63M J RECT.	チ ッ ブ 抵 抗		
R235	RD356332	CARBON RESISTOR (CHIP)	3.3K	63M J RECT.	チ ッ ブ 抵 抗		
R236	RD357102	CARBON RESISTOR (CHIP)	10.0K	63M J RECT.	チ ッ ブ 抵 抗		
R237	RD358221	CARBON RESISTOR (CHIP)	220.0K	63M J RECT.	チ ッ ブ 抵 抗		
R238	RD358102	CARBON RESISTOR (CHIP)	100.0K	63M J RECT.	チ ッ ブ 抵 抗		
R239	RD357222	CARBON RESISTOR (CHIP)	22.0K	63M J RECT.	チ ッ ブ 抵 抗		
R240	RD156100	CARBON RESISTOR (CHIP)	1.0K	1/4 J TP	チ ッ ブ 抵 抗		
R241	RD156100	CARBON RESISTOR (CHIP)	1.0K	1/4 J TP	チ ッ ブ 抵 抗		
R244	RD350003	CARBON RESISTOR (CHIP)	0	63M J RECT.	チ ッ ブ 抵 抗		
R245	RF455101	CARBON RESISTOR (CHIP)	100.0	D RECT.	チ ッ ブ 抵 抗		
R246	RD356221	CARBON RESISTOR (CHIP)	2.2K	63M J RECT.	チ ッ ブ 抵 抗		
R247	RD350003	CARBON RESISTOR (CHIP)	0	63M J RECT.	チ ッ ブ 抵 抗		
R248	RD356152	CARBON RESISTOR (CHIP)	1.5K	63M J RECT.	チ ッ ブ 抵 抗		
R249	RD357102	CARBON RESISTOR (CHIP)	10.0K	63M J RECT.	チ ッ ブ 抵 抗		
R250	RD355472	CARBON RESISTOR (CHIP)	470.0	63M J RECT.	チ ッ ブ 抵 抗		
R251	RD357102	CARBON RESISTOR (CHIP)	10.0K	63M J RECT.	チ ッ ブ 抵 抗		
R252	RD357102	CARBON RESISTOR (CHIP)	10.0K	63M J RECT.	チ ッ ブ 抵 抗		
* R253	WW163800	CARBON RESISTOR (CHIP)	0.082	1W F 5025	チ ッ ブ 抵 抗		
R255	RD158121	CARBON RESISTOR (CHIP)	120K	1/4 J TP	チ ッ ブ 抵 抗		
R256	RD158121	CARBON RESISTOR (CHIP)	120K	1/4 J TP	チ ッ ブ 抵 抗		
R257	RD15747R	CARBON RESISTOR (CHIP)	47.0K	1/4 J TP	チ ッ ブ 抵 抗		
R258	RD358102	CARBON RESISTOR (CHIP)	100.0K	63M J RECT.	チ ッ ブ 抵 抗		
R259	RD356103	CARBON RESISTOR (CHIP)	1.0K	63M J RECT.	チ ッ ブ 抵 抗		
R264	RD355472	CARBON RESISTOR (CHIP)	470.0	63M J RECT.	チ ッ ブ 抵 抗		
R265	RD355472	CARBON RESISTOR (CHIP)	470.0	63M J RECT.	チ ッ ブ 抵 抗		
R266	RD357102	CARBON RESISTOR (CHIP)	10.0K	63M J RECT.	チ ッ ブ 抵 抗		
R267	RD356103	CARBON RESISTOR (CHIP)	1.0K	63M J RECT.	チ ッ ブ 抵 抗		
R268	RD355472	CARBON RESISTOR (CHIP)	470.0	63M J RECT.	チ ッ ブ 抵 抗		
R269	RD355472	CARBON RESISTOR (CHIP)	470.0	63M J RECT.	チ ッ ブ 抵 抗		
R270	RD357102	CARBON RESISTOR (CHIP)	10.0K	63M J RECT.	チ ッ ブ 抵 抗		
R271	RD357102	CARBON RESISTOR (CHIP)	10.0K	63M J RECT.	チ ッ ブ 抵 抗		
TR103	VV655402	DIGITAL TRANSISTOR	DTC114EKA	TP	デジタルトランジスタ		
TR202	VV556402	TRANSISTOR	2SC2412K	Q,R,S TP	トランジスタ 2 S C		

*: New Parts

PS and SUB

REF NO.	PART NO.	DESCRIPTION		部 品 名	REMARKS	QTY
TR205	VV655402	DIGITAL TRANSISTOR	DTC114EKA TP	デジタルトランジスタ		
TR206	VV655000	DIGITAL TRANSISTOR (CHIP)	DTA114EKA TP	デジタルトランジスタ		
TR207	VV556502	TRANSISTOR	2SA1037AK Q,R,S TP	トランジスタ 2 S A		
TR208	VV556402	TRANSISTOR	2SC2412K Q,R,S TP	トランジスタ 2 S C		
TR210	VV655402	DIGITAL TRANSISTOR	DTC114EKA TP	デジタルトランジスタ		
TR211	VV556402	TRANSISTOR	2SC2412K Q,R,S TP	トランジスタ 2 S C		
TR212	VV556402	TRANSISTOR	2SC2412K Q,R,S TP	トランジスタ 2 S C		
TR214	VV655402	DIGITAL TRANSISTOR	DTC114EKA TP	デジタルトランジスタ		
TR215	VV556502	TRANSISTOR	2SA1037AK Q,R,S TP	トランジスタ 2 S A		
TR216	VV556502	TRANSISTOR	2SA1037AK Q,R,S TP	トランジスタ 2 S A		
TR217	VV556402	TRANSISTOR	2SC2412K Q,R,S TP	トランジスタ 2 S C		
-219	VV556402	TRANSISTOR	2SC2412K Q,R,S TP	トランジスタ 2 S C		
TR220	VV556502	TRANSISTOR	2SA 1SA1037AK Q,R,S TP	トランジスタ 2 S A		
ZD102	WK911900	ZENER DIODE (CHIP)	1SMB5953BT3G 150.0	ツェナーダイオード		
ZD103	WR543601	ZENER DIODE	1SMB5956BT3G 200.0	ツェナーダイオード		
ZD104	WR543601	ZENER DIODE	1SMB5956BT3G 200.0	ツェナーダイオード		
ZD106	WY164301	ZENER DIODE	UDZV15B	ツェナーダイオード		
ZD202	WY163701	ZENER DIODE	UDZV8.2B	ツェナーダイオード		
ZD206	WY165100	ZENER DIODE	UDZV33B	ツェナーダイオード		
-211	WY165100	ZENER DIODE	UDZV33B	ツェナーダイオード		
ZD212	WY164102	ZENER DIODE	UDZV12B	ツェナーダイオード		
	ZR933600	CIRCUIT BOARD	SUB	S U B シ ー ト	EMX5 (YH218C0)	
CN102	WD96130R	PIN HEADER	GPHA102 5P TE	ピンヘッダ		
CN202	WD96140R	PIN HEADER	GPHA102 7P TE	ピンヘッダ		
CN302	WD96140R	PIN HEADER	GPHA102 7P TE	ピンヘッダ		
CN402	WD96140R	PIN HEADER	GPHA102 7P TE	ピンヘッダ		
JP001	--	JUMPER WIRE	0.55	平型ジャンパー線	(VN50000)	
-031	--	JUMPER WIRE	0.55	平型ジャンパー線	(VN50000)	
C128	US061681	CERAMIC CAPACITOR (CHIP)	68P 50V J RECT.	チップセラ (S L)		
C129	US061151	CERAMIC CAPACITOR (CHIP)	15P 50V J RECT.	チップセラ (C H)		
C130	US064103	CERAMIC CAPACITOR (CHIP)	0.0100 50V K RECT.	チップセラ (B)		
-133	US064103	CERAMIC CAPACITOR (CHIP)	0.0100 50V K RECT.	チップセラ (B)		
C227	US061681	CERAMIC CAPACITOR (CHIP)	68P 50V J RECT.	チップセラ (S L)		
C228	US061151	CERAMIC CAPACITOR (CHIP)	15P 50V J RECT.	チップセラ (C H)		
C229	US064103	CERAMIC CAPACITOR (CHIP)	0.0100 50V K RECT.	チップセラ (B)		
C230	US064103	CERAMIC CAPACITOR (CHIP)	0.0100 50V K RECT.	チップセラ (B)		
C329	US061681	CERAMIC CAPACITOR (CHIP)	68P 50V J RECT.	チップセラ (S L)		
C330	US061151	CERAMIC CAPACITOR (CHIP)	15P 50V J RECT.	チップセラ (C H)		
C331	US064103	CERAMIC CAPACITOR (CHIP)	0.0100 50V K RECT.	チップセラ (B)		
-334	US064103	CERAMIC CAPACITOR (CHIP)	0.0100 50V K RECT.	チップセラ (B)		
C430	US061681	CERAMIC CAPACITOR (CHIP)	68P 50V J RECT.	チップセラ (S L)		
C431	US061151	CERAMIC CAPACITOR (CHIP)	15P 50V J RECT.	チップセラ (C H)		
C432	US064103	CERAMIC CAPACITOR (CHIP)	0.0100 50V K RECT.	チップセラ (B)		
C433	US064103	CERAMIC CAPACITOR (CHIP)	0.0100 50V K RECT.	チップセラ (B)		
C490	US035102	CERAMIC CAPACITOR (CHIP)	0.1000 16V K RECT.	チップセラ (B)		
C491	US035102	CERAMIC CAPACITOR (CHIP)	0.1000 16V K RECT.	チップセラ (B)		
D103	WC398800	DIODE (CHIP)	KDS160-RTK/P TP	チップダイオード		
D103	WG139300	DIODE (CHIP)	KDS4148U-RTK/P TE	チップダイオード		
D103	WW783902	DIODE (CHIP)	1SS355VM	チップダイオード		
D103	ZF597602	DIODE (CHIP)	DA2J10100L	ダイオード		
D203	WC398800	DIODE (CHIP)	KDS160-RTK/P TP	チップダイオード		
D203	WG139300	DIODE (CHIP)	KDS4148U-RTK/P TE	チップダイオード		
D203	WW783902	DIODE (CHIP)	1SS355VM	チップダイオード		
D203	ZF597602	DIODE (CHIP)	DA2J10100L	ダイオード		
D303	WC398800	DIODE (CHIP)	KDS160-RTK/P TP	チップダイオード		
D303	WG139300	DIODE (CHIP)	KDS4148U-RTK/P TE	チップダイオード		
D303	WW783902	DIODE (CHIP)	1SS355VM	チップダイオード		
D303	ZF597602	DIODE (CHIP)	DA2J10100L	ダイオード		
D403	WC398800	DIODE (CHIP)	KDS160-RTK/P TP	チップダイオード		
D403	WG139300	DIODE (CHIP)	KDS4148U-RTK/P TE	チップダイオード		
D403	WW783902	DIODE (CHIP)	1SS355VM	チップダイオード		
D403	ZF597602	DIODE (CHIP)	DA2J10100L	ダイオード		
DA101	VD30390R	DIODE ARRAY	1SS226(TE85R,F)	ダイオードアレイ		
DA101	VV556301	DIODE ARRAY	DAN217 0.3A X2	ダイオードアレイ		
DA201	VD30390R	DIODE ARRAY	1SS226(TE85R,F)	ダイオードアレイ		
DA201	VV556301	DIODE ARRAY	DAN217 0.3A X2	ダイオードアレイ		
DA301	VD30390R	DIODE ARRAY	1SS226(TE85R,F)	ダイオードアレイ		
DA301	VV556301	DIODE ARRAY	DAN217 0.3A X2	ダイオードアレイ		
DA401	VD30390R	DIODE ARRAY	1SS226(TE85R,F)	ダイオードアレイ		

*: New Parts

SUB and USB

REF NO.	PART NO.	DESCRIPTION		部 品 名	REMARKS	QTY
DA401	VV556301	DIODE ARRAY	DAN217 0.3A X2	ダイオードアレイ		
FT101	WH249200	FET (CHIP)	2SK208-GR(TE85L,F)	F E T		
FT101	ZC637400	FET (CHIP)	2SK433-D	F E T		
FT201	WH249200	FET (CHIP)	2SK208-GR(TE85L,F)	F E T		
FT201	ZC637400	FET (CHIP)	2SK433-D	F E T		
FT301	WH249200	FET (CHIP)	2SK208-GR(TE85L,F)	F E T		
FT301	ZC637400	FET (CHIP)	2SK433-D	F E T		
FT401	WH249200	FET (CHIP)	2SK208-GR(TE85L,F)	F E T		
FT401	ZC637400	FET (CHIP)	2SK433-D	F E T		
IC103	X3505A01	IC	NJM2068M-D(TE2)	I C	OP AMP	
IC104	X3505A01	IC	NJM2068M-D(TE2)	I C	OP AMP	
IC204	X3505A01	IC	NJM2068M-D(TE2)	I C	OP AMP	
IC303	X3505A01	IC	NJM2068M-D(TE2)	I C	OP AMP	
IC304	X3505A01	IC	NJM2068M-D(TE2)	I C	OP AMP	
IC404	X3505A01	IC	NJM2068M-D(TE2)	I C	OP AMP	
R123	RF458102	CARBON RESISTOR (CHIP)	100.0K D RECT.	チ ッ プ 抵 抗		
R124	RD357562	CARBON RESISTOR (CHIP)	56.0K 63M J RECT.	チ ッ プ 抵 抗		
R125	RD357222	CARBON RESISTOR (CHIP)	22.0K 63M J RECT.	チ ッ プ 抵 抗		
R126	RD357392	CARBON RESISTOR (CHIP)	39.0K 63M J RECT.	チ ッ プ 抵 抗		
R127	RD356122	CARBON RESISTOR (CHIP)	1.2K 63M J RECT.	チ ッ プ 抵 抗		
R128	RD356822	CARBON RESISTOR (CHIP)	8.2K 63M J RECT.	チ ッ プ 抵 抗		
R129	RD355821	CARBON RESISTOR (CHIP)	820.0 63M J RECT.	チ ッ プ 抵 抗		
R130	RD356822	CARBON RESISTOR (CHIP)	8.2K 63M J RECT.	チ ッ プ 抵 抗		
R131	RD357392	CARBON RESISTOR (CHIP)	39.0K 63M J RECT.	チ ッ プ 抵 抗		
R222	RF458102	CARBON RESISTOR (CHIP)	100.0K D RECT.	チ ッ プ 抵 抗		
R223	RD357562	CARBON RESISTOR (CHIP)	56.0K 63M J RECT.	チ ッ プ 抵 抗		
R224	RD357222	CARBON RESISTOR (CHIP)	22.0K 63M J RECT.	チ ッ プ 抵 抗		
R225	RD357392	CARBON RESISTOR (CHIP)	39.0K 63M J RECT.	チ ッ プ 抵 抗		
R226	RD356122	CARBON RESISTOR (CHIP)	1.2K 63M J RECT.	チ ッ プ 抵 抗		
R227	RD356822	CARBON RESISTOR (CHIP)	8.2K 63M J RECT.	チ ッ プ 抵 抗		
R228	RD355821	CARBON RESISTOR (CHIP)	820.0 63M J RECT.	チ ッ プ 抵 抗		
R229	RD356822	CARBON RESISTOR (CHIP)	8.2K 63M J RECT.	チ ッ プ 抵 抗		
R230	RD357392	CARBON RESISTOR (CHIP)	39.0K 63M J RECT.	チ ッ プ 抵 抗		
R329	RF458102	CARBON RESISTOR (CHIP)	100.0K D RECT.	チ ッ プ 抵 抗		
R330	RD357562	CARBON RESISTOR (CHIP)	56.0K 63M J RECT.	チ ッ プ 抵 抗		
R331	RD357222	CARBON RESISTOR (CHIP)	22.0K 63M J RECT.	チ ッ プ 抵 抗		
R332	RD357392	CARBON RESISTOR (CHIP)	39.0K 63M J RECT.	チ ッ プ 抵 抗		
R333	RD356122	CARBON RESISTOR (CHIP)	1.2K 63M J RECT.	チ ッ プ 抵 抗		
R334	RD356822	CARBON RESISTOR (CHIP)	8.2K 63M J RECT.	チ ッ プ 抵 抗		
R335	RD355821	CARBON RESISTOR (CHIP)	820.0 63M J RECT.	チ ッ プ 抵 抗		
R336	RD356822	CARBON RESISTOR (CHIP)	8.2K 63M J RECT.	チ ッ プ 抵 抗		
R337	RD357392	CARBON RESISTOR (CHIP)	39.0K 63M J RECT.	チ ッ プ 抵 抗		
R429	RF458102	CARBON RESISTOR (CHIP)	100.0K D RECT.	チ ッ プ 抵 抗		
R430	RF456222	CARBON RESISTOR (CHIP)	2.2K D RECT.	チ ッ プ 抵 抗		
R431	RF458102	CARBON RESISTOR (CHIP)	100.0K D RECT.	チ ッ プ 抵 抗		
R432	RD357562	CARBON RESISTOR (CHIP)	56.0K 63M J RECT.	チ ッ プ 抵 抗		
R433	RD357222	CARBON RESISTOR (CHIP)	22.0K 63M J RECT.	チ ッ プ 抵 抗		
R434	RD357392	CARBON RESISTOR (CHIP)	39.0K 63M J RECT.	チ ッ プ 抵 抗		
R435	RD356122	CARBON RESISTOR (CHIP)	1.2K 63M J RECT.	チ ッ プ 抵 抗		
R436	RD356822	CARBON RESISTOR (CHIP)	8.2K 63M J RECT.	チ ッ プ 抵 抗		
R437	RD355821	CARBON RESISTOR (CHIP)	820.0 63M J RECT.	チ ッ プ 抵 抗		
R438	RD356822	CARBON RESISTOR (CHIP)	8.2K 63M J RECT.	チ ッ プ 抵 抗		
R439	RD357392	CARBON RESISTOR (CHIP)	39.0K 63M J RECT.	チ ッ プ 抵 抗		
*	ZR107600	CIRCUIT BOARD	USB	U S B シ ー ト	EMX7/EMX5 (YH160C0)	
CN101	VB858400	CONNECTOR	PH 5P SE	ベ ー ス ポ ス ト		
CN102	V6802600	CONNECTOR	USB 4P SE	U S B ジ ャ ッ ク	USB	
K101	--	SCREW TERMINAL		ス ク リ ュ ー タ ー ミ ナ ル		(WW83420)
K102	--	SCREW TERMINAL		ス ク リュ ー タ ー ミ ナ ル		(WW83420)
K103	VB966900	STYLE PIN	IMSA-6024-01EL-PT	ス タ イ ル ピ ン L = 3 5		
C101	US063102	CERAMIC CAPACITOR (CHIP)	1000P 50V K RECT.	チ ッ プ セ ラ (B)		
C102	US064103	CERAMIC CAPACITOR (CHIP)	0.0100 50V K RECT.	チ ッ プ セ ラ (B)		
C103	US064103	CERAMIC CAPACITOR (CHIP)	0.0100 50V K RECT.	チ ッ プ セ ラ (B)		
L103	VU95400R	INDUCTANCE (CHIP)	BLM21PG300SN1D	チ ッ プ ソ リ ッ ド イ ン ダ		
R101	RD358102	CARBON RESISTOR (CHIP)	100.0K 63M J RECT.	チ ッ プ 抵 抗		
*	ZQ968700	CRYSTAL DISPLAY	COG-VLJP2124-01	L C D ユ ニ ッ ト	EMX7	
*	ZT409200	DC FAN MOTOR	9A0812S433	D C フ ァ ン モ ー タ ー	Vent	

*: New Parts

MIXER ACCESSORY

RK-EMX7

PARTS LIST

■ CONTENTS (目次)

COMPLETE ASSEMBLY (同梱品セット) 2

*NON-FIELD-SERVICEABLE PRODUCT

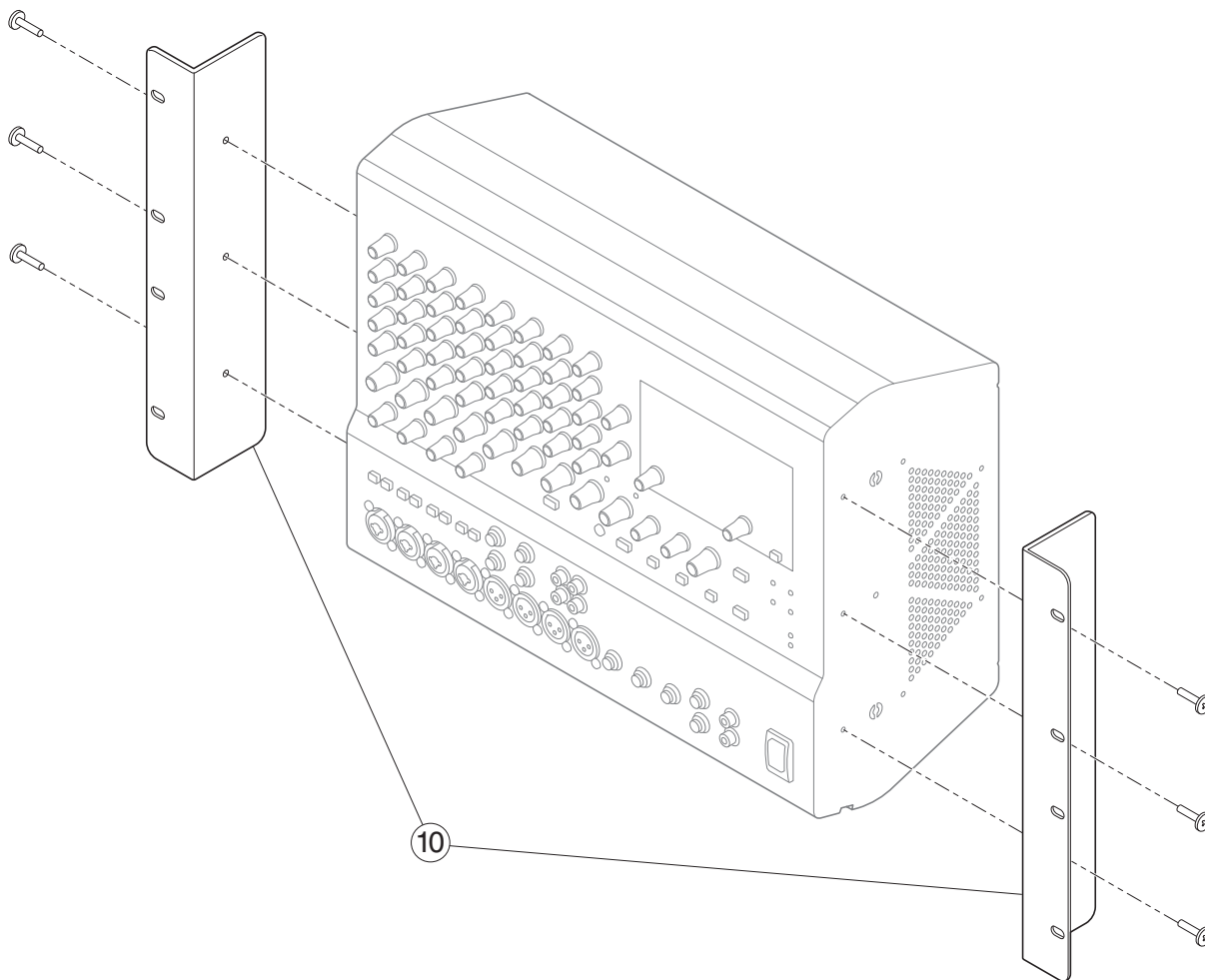
※この製品は、オプション製品の扱いです。部品供給はありません。

Notes : DESTINATION ABBREVIATIONS

A : Australian model	O : Chinese model
B : British model	P : Brazilian model
C : Canadian model	Q : South-east Asia model
D : German model	T : Taiwan model
E : European model	U : U.S.A. model
F : French model	V : General export model (110V)
H : North European model	W : General export model (220V)
I : Indonesian model	N,X: General export model
J : Japanese model	Y : Export model
K : Korean model	Z : Indian model
M : Malaysian model	

- The numbers "QTY" show quantities for each unit.
- The parts with "--" in "PART NO." are not available as spare parts.
- This mark "}" in the REMARKS column means these parts are interchangeable.
- The second letter of the shaded (■) part number is O, not zero.
- The second letter of the shaded (■) part number is I, not one.
- QTY 欄に記載されている数字は、各ユニット当たりの使用個数です。
- PART NO. が "--" の部品は、サービス用部品として準備されておりません。
- REMARKS 欄の 「}」 マークの部品は、併用部品です。
- 網掛けの付いた PART NO. の 2 番目の文字は「ゼロ」ではなく、「オー」です。
- 網掛けの付いた PART NO. の 2 番目の文字は「イチ」ではなく、「アイ」です。

■ COMPLETE ASSEMBLY (同梱品セット) (RK-EMX7)



※Separate screws for actually mounting the mixer in a rack are not included with the mixer.
Be sure to use the same screws removed from the mixer.

※ラックに取り付けるためのネジは付属していません。
必ず本体から外した専用のネジを使用してください。

REF NO.	PART NO.	DESCRIPTION	部 品 名	REMARKS	QTY
10	--	COMPLETE ASSEMBLY	同 梱 品 セ ッ ト	RK-EMX7	2
	--	COMPLETE ASSEMBLY	同 梱 品 セ ッ ト	Y (ZQ54750)	
	--	COMPLETE ASSEMBLY	同 梱 品 セ ッ ト	M (ZV73880)	
	--	RACK ANGLE	ラックアングル塗装品	(ZS11510)	

*: New Parts

POWERED MIXER

EMX7/EMX5

CIRCUIT DIAGRAM

■ CONTENTS (目次)

BLOCK DIAGRAM (ブロックダイアグラム)

EMX7	3
EMX5	4

WIRING (結線図)

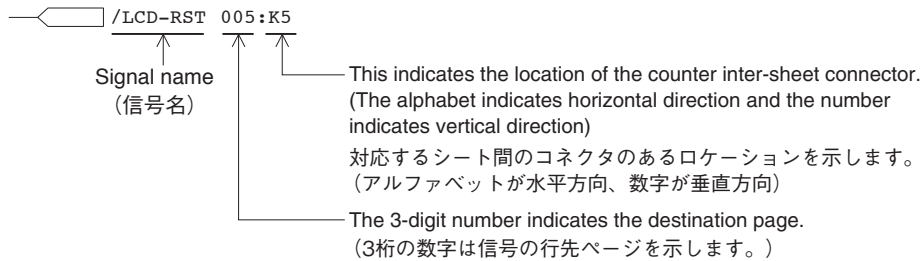
EMX7	5
EMX5	6

CIRCUIT DIAGRAM (回路図)

AMP7 (EMX7) / AMP5 (EMX5) (001-003)	30-32
DMP (EMX7) (001-005)	7-11
DMS (EMX5) (001-005)	19-23
LCD (EMX7)	37
MIX7 (EMX7) (001-007)	12-18
MIXS (EMX5) (001-006)	24-29
OUTSW (OUT, SW)	36
PS (001-002)	33-34
SUB (EMX5)	35
USB	37

Notation for Circuit Diagrams (回路図表記上の注意)

1. How to identify inter-sheet connectors (シート間コネクタの読み方について)



2. Connection of connectors (コネクタの接続について)

(Example)

to LCD-CN101
<P.38 K:2>

P.38 are the page of a circuit diagram.
K:2 is indicates the location of the counter inter-sheet connector.
(The alphabet indicates horizontal direction and the number indicates vertical direction)

(例)


to LCD-CN101
<P.38 K:2>

P.38は回路図のページです。
K:2は対応するシート間コネクタのあるロケーションを示します。
(アルファベットが水平方向、数字が垂直方向)

■ WARNING

Components having special characteristics are marked  and must be replaced with parts having specification equal to those originally installed.

■ 安全上の注意

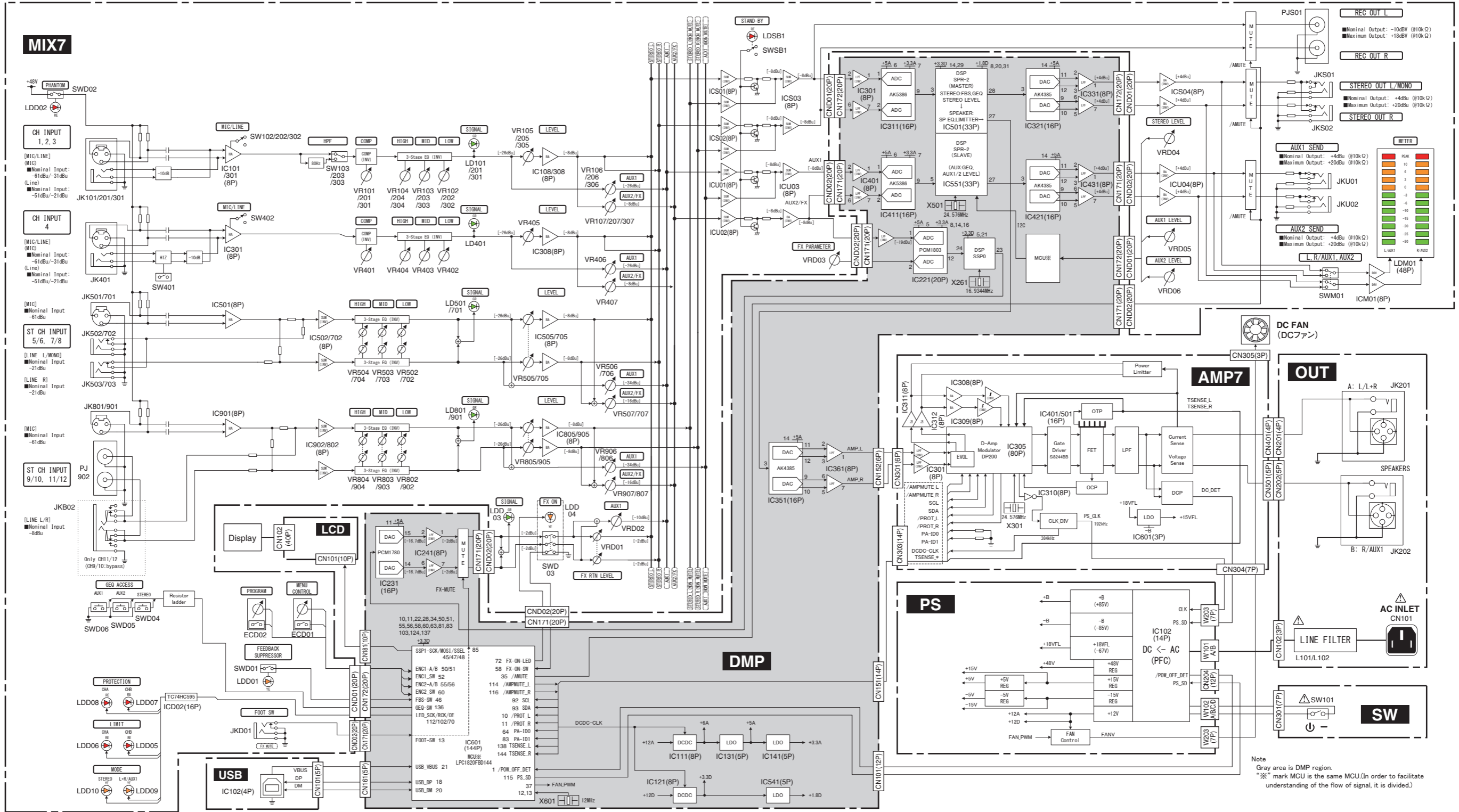
 印の部品は、安全を維持するために重要な部品です。交換する場合は、安全のために必ず指定の部品をご使用ください。

Note: See parts list for details of circuit board component parts.

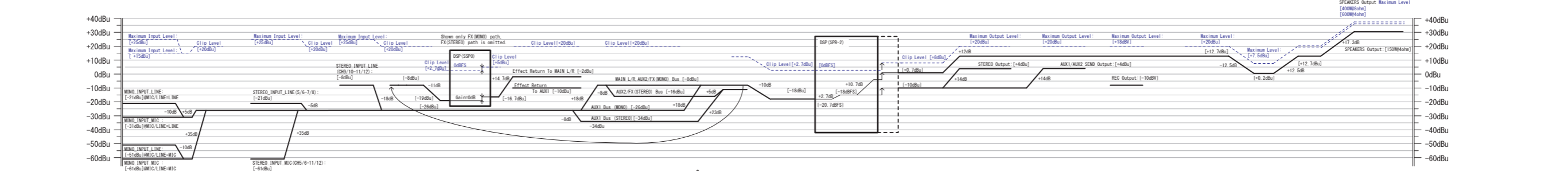
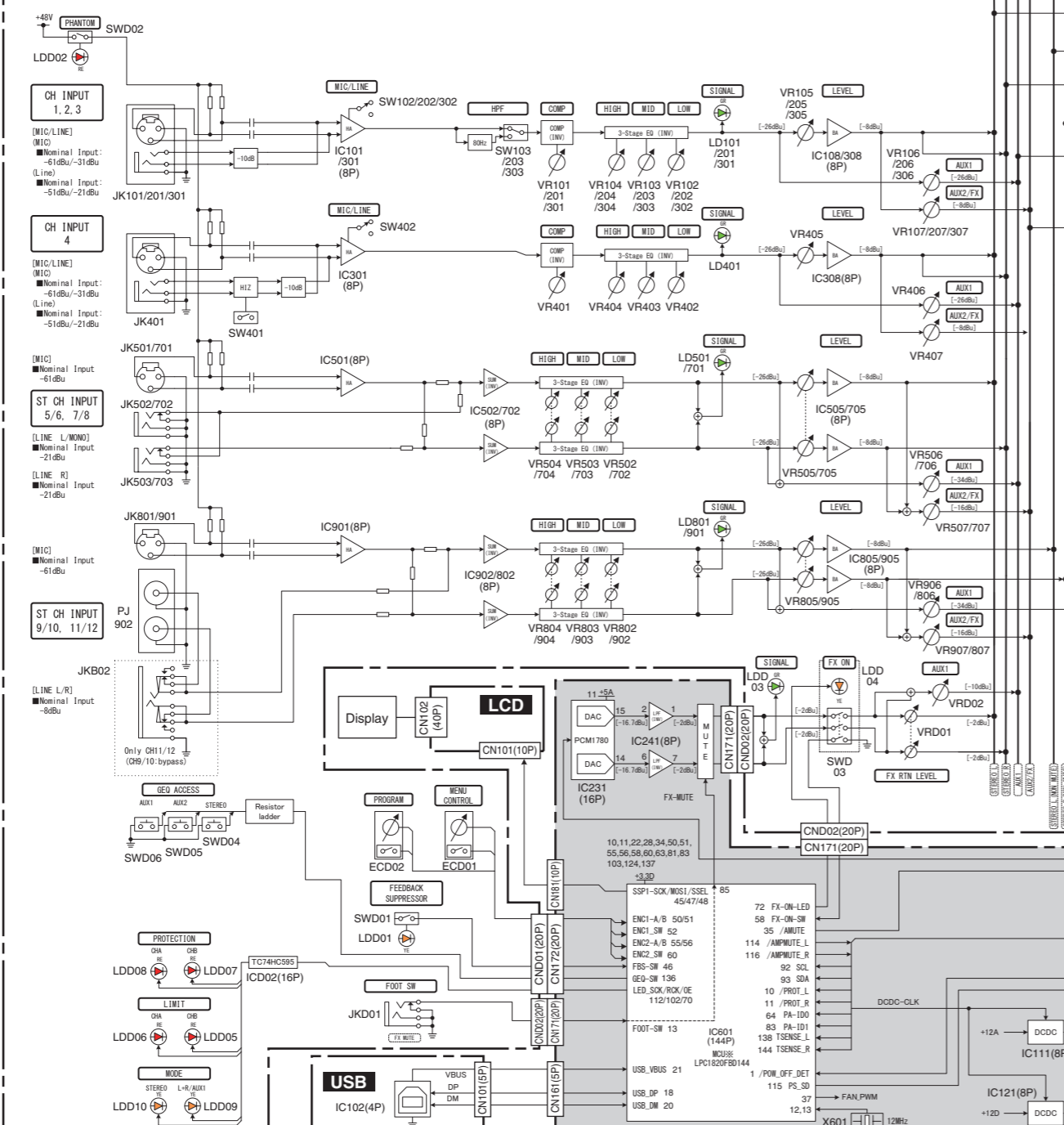
注：シートの部品詳細はパーツリストをご参照ください。

BLOCK DIAGRAM (ブロックダイアグラム) (EMX7)

EMX7/EMX5



MIX7

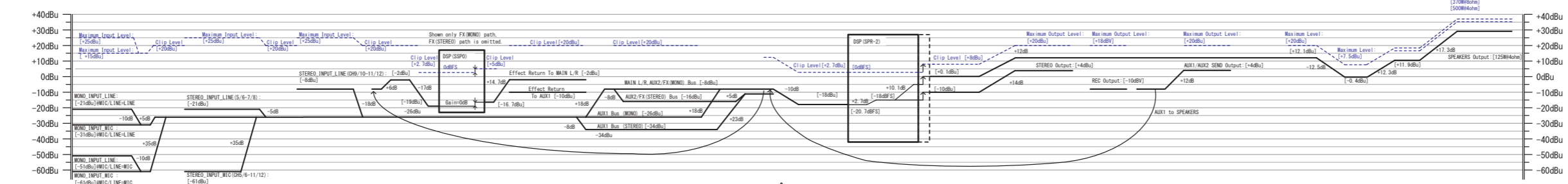
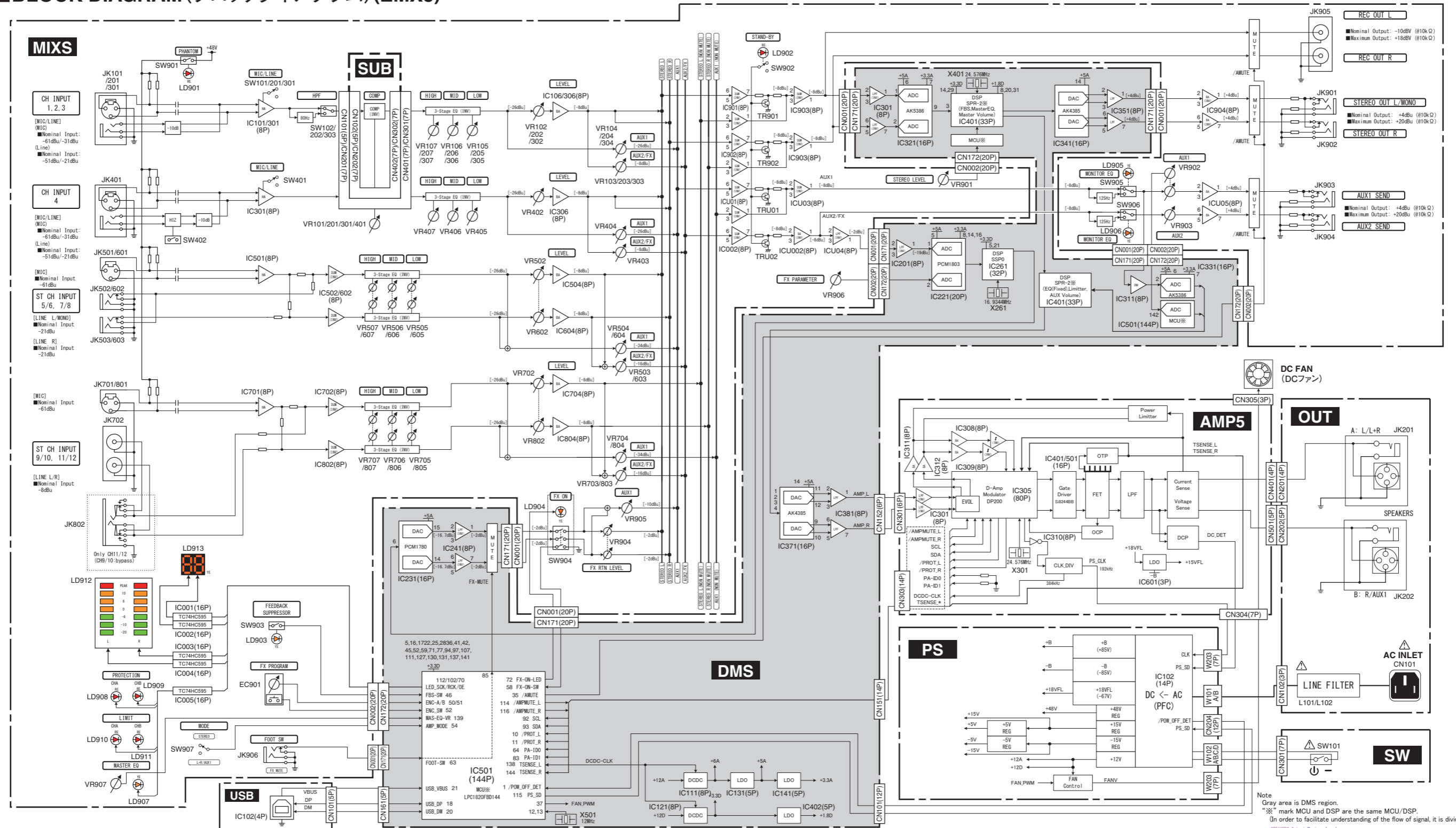


■ **WARNING** Components having special characteristics are marked Δ and must be replaced with parts having specification equal to those originally installed.

■ **安全上の注意** Δ 印の部品は、安全を維持するために重要な部品です。交換する場合は、安全のため必ず指定の部品をご使用ください。

BLOCK DIAGRAM (ブロックダイアグラム) (EMX5)

EMX7/EMX5



■ **WARNING** Components having special characteristics are marked Δ and must be replaced with parts having specification equal to those originally installed.

■ **安全上の注意** Δ 印の部品は、安全を維持するために重要な部品です。交換する場合は、安全のため必ず指定の部品をご使用ください。

BLOCK DIAGRAM (ブロックダイアグラム) (EMX5)

28CA1-2001162499-1

1

2

3

4

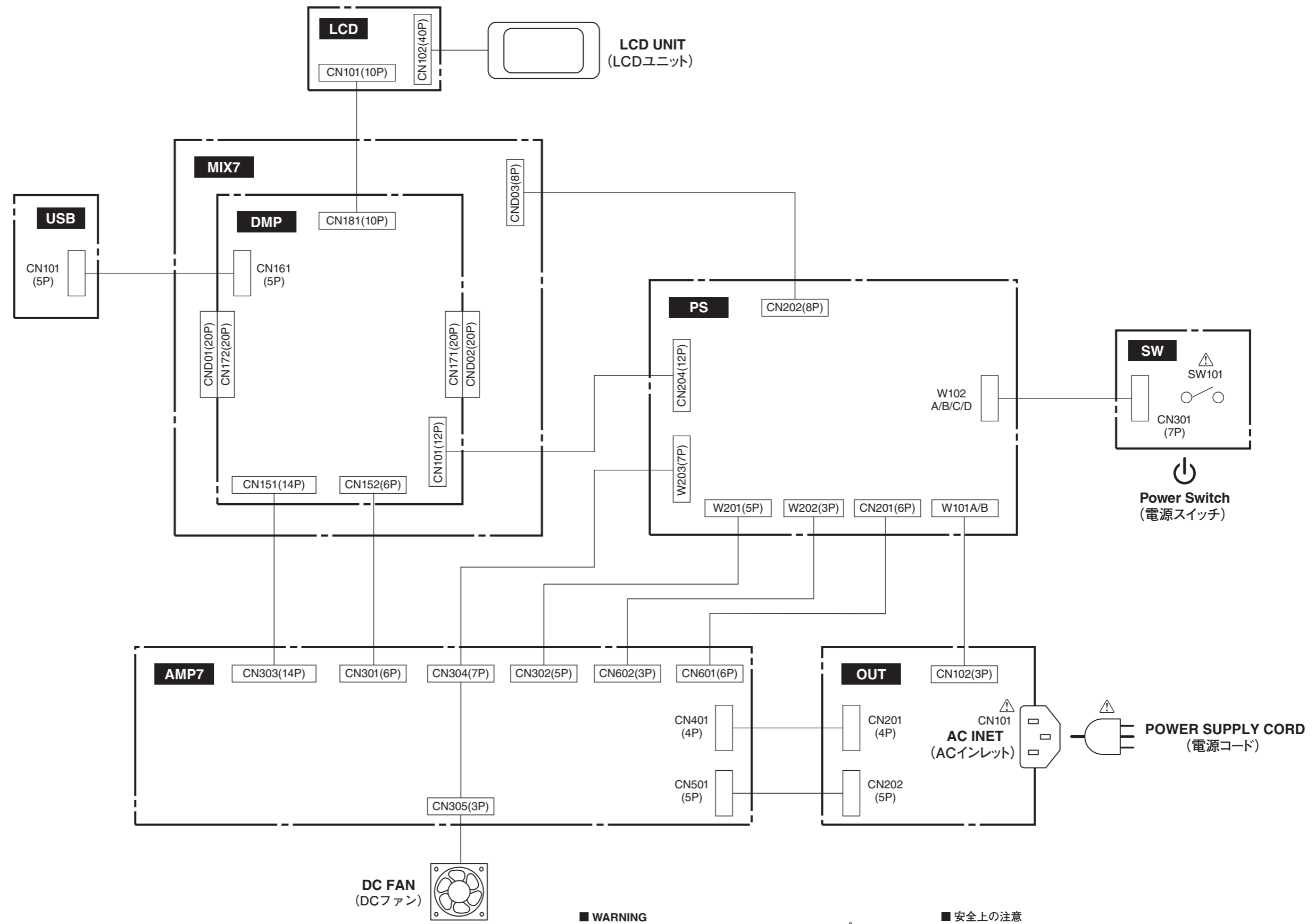
5

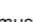
6

4

■ WIRING (結線図) (EMX7)

EMX7/EMX5



■ **WARNING**
 Components having special characteristics are marked  and must be replaced with parts having specification equal to those originally installed.

■ **安全上の注意**
 △印の部品は、安全を維持するために重要な部品です。交換する場合は、安全のため必ず指定の部品をご使用ください。

1

2

3

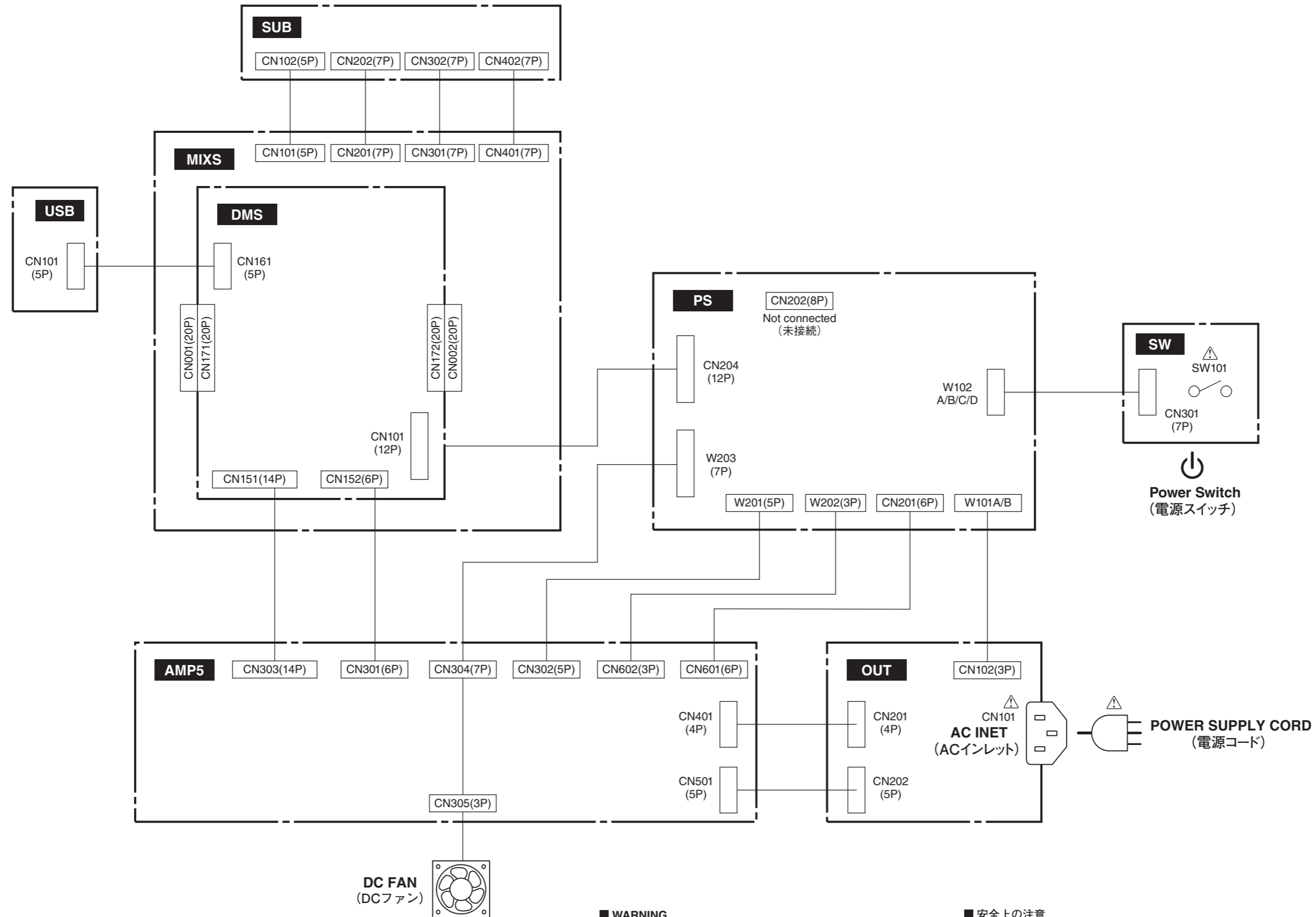
4

5

6

■ WIRING (結線図) (EMX5)

EMX7/EMX5

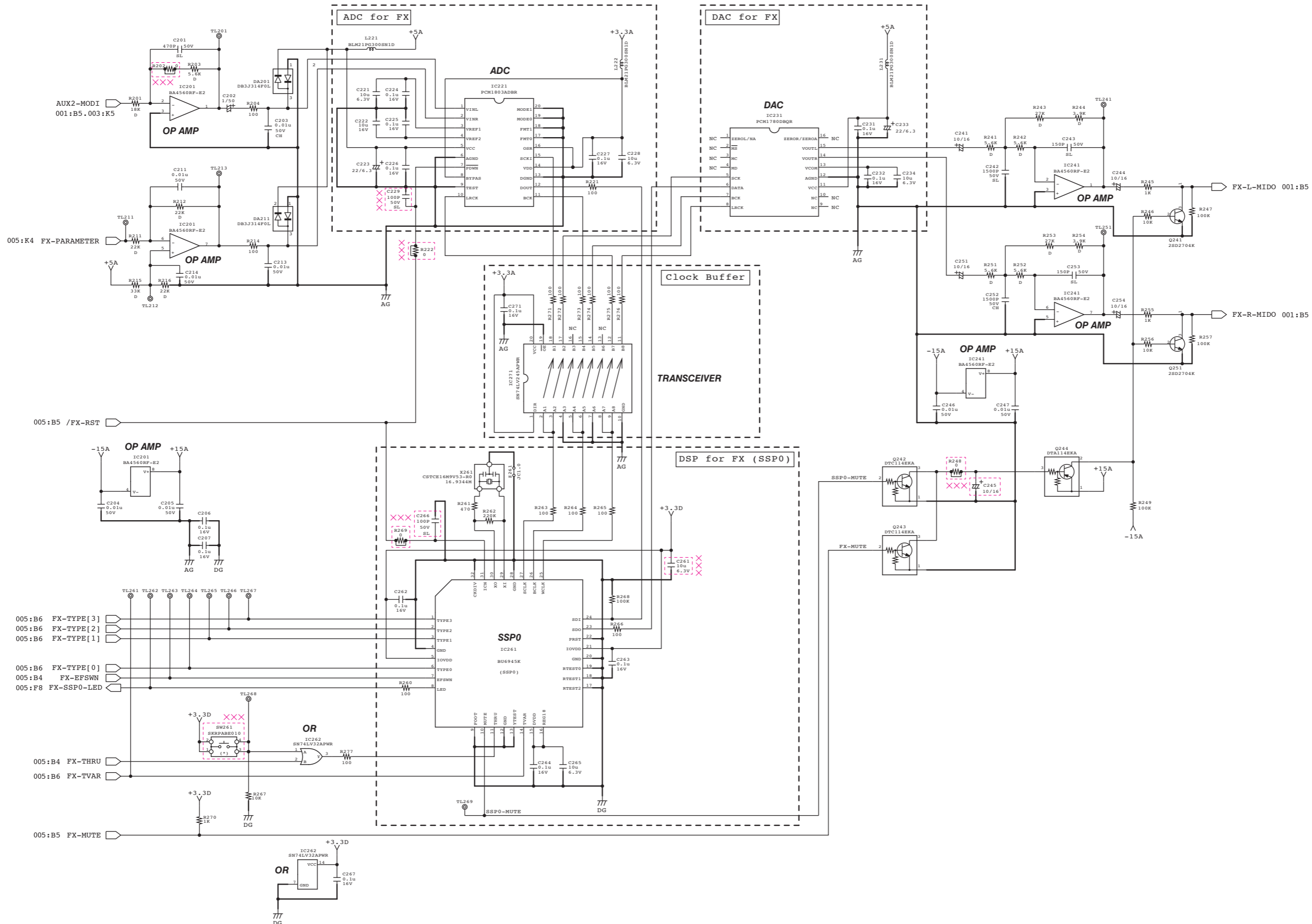


■ **WARNING**
 Components having special characteristics are marked and must be replaced with parts having specification equal to those originally installed.

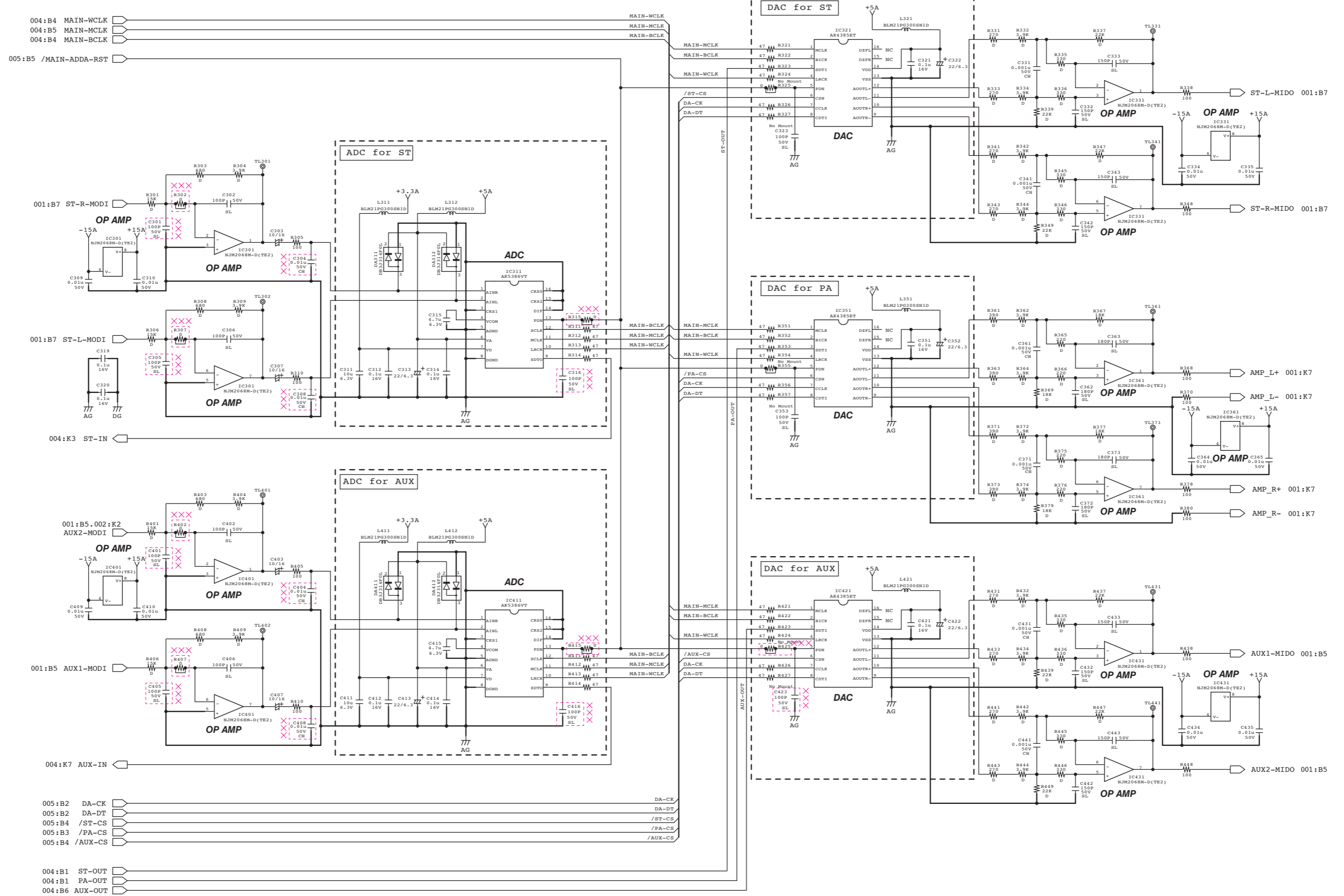
■ **安全上の注意**
印の部品は、安全を維持するために重要な部品です。交換する場合は、安全のため必ず指定の部品をご使用ください。

DMP 002 CIRCUIT DIAGRAM (EMX7)

EMX7/EMX5

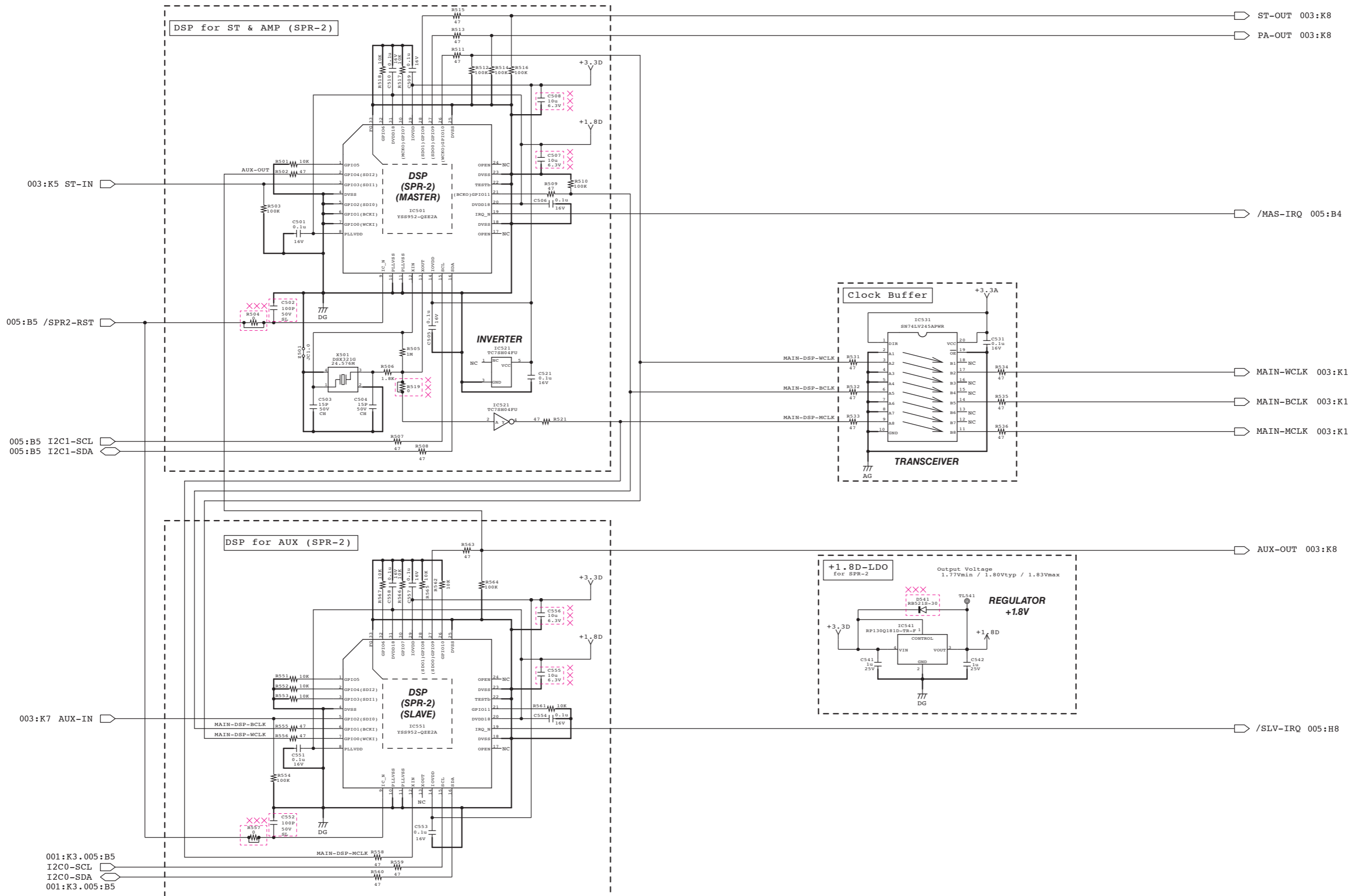


■ DMP 003 CIRCUIT DIAGRAM (EMX7)



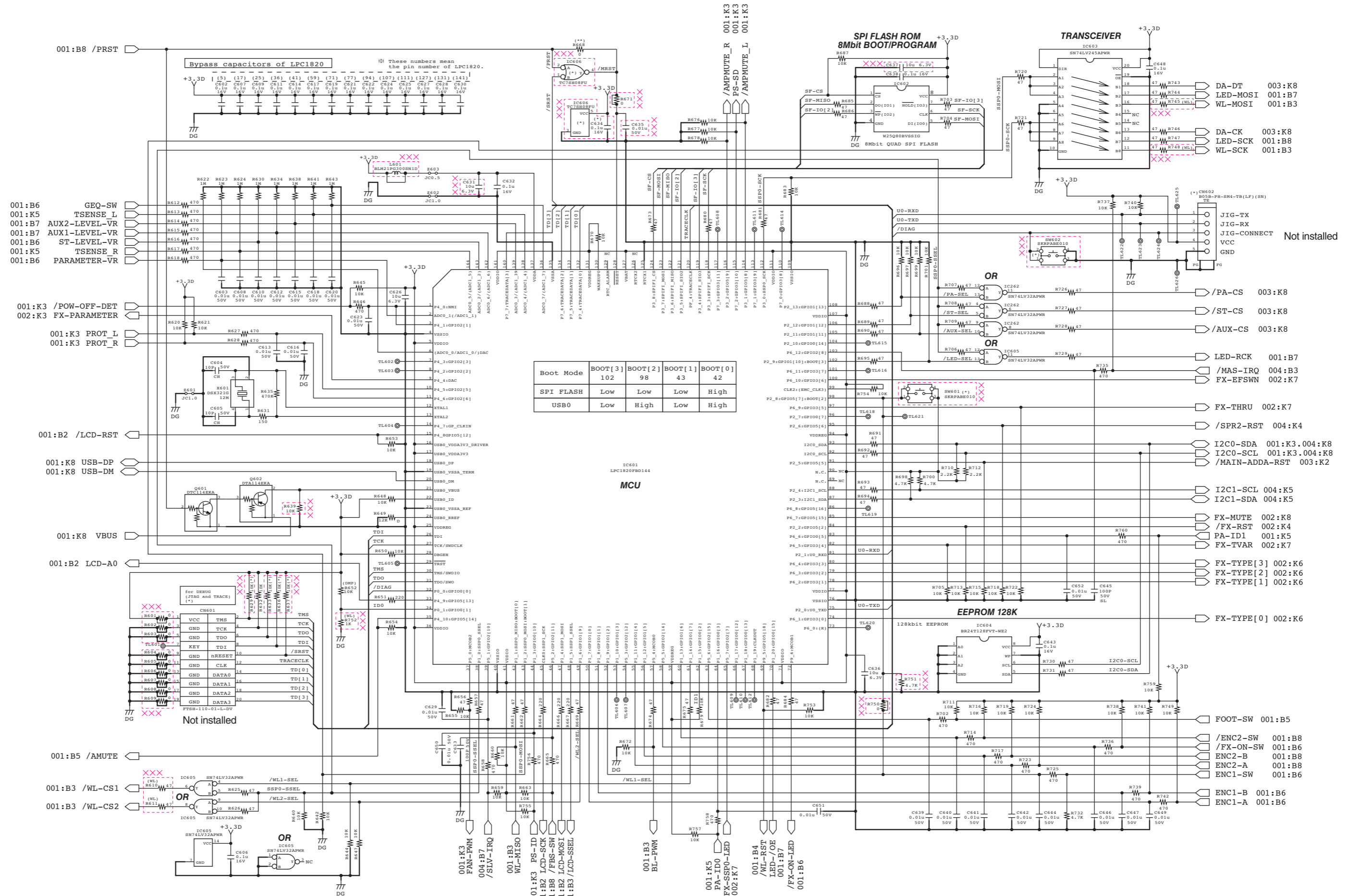
■ DMP 004 CIRCUIT DIAGRAM (EMX7)

EMX7/EMX5



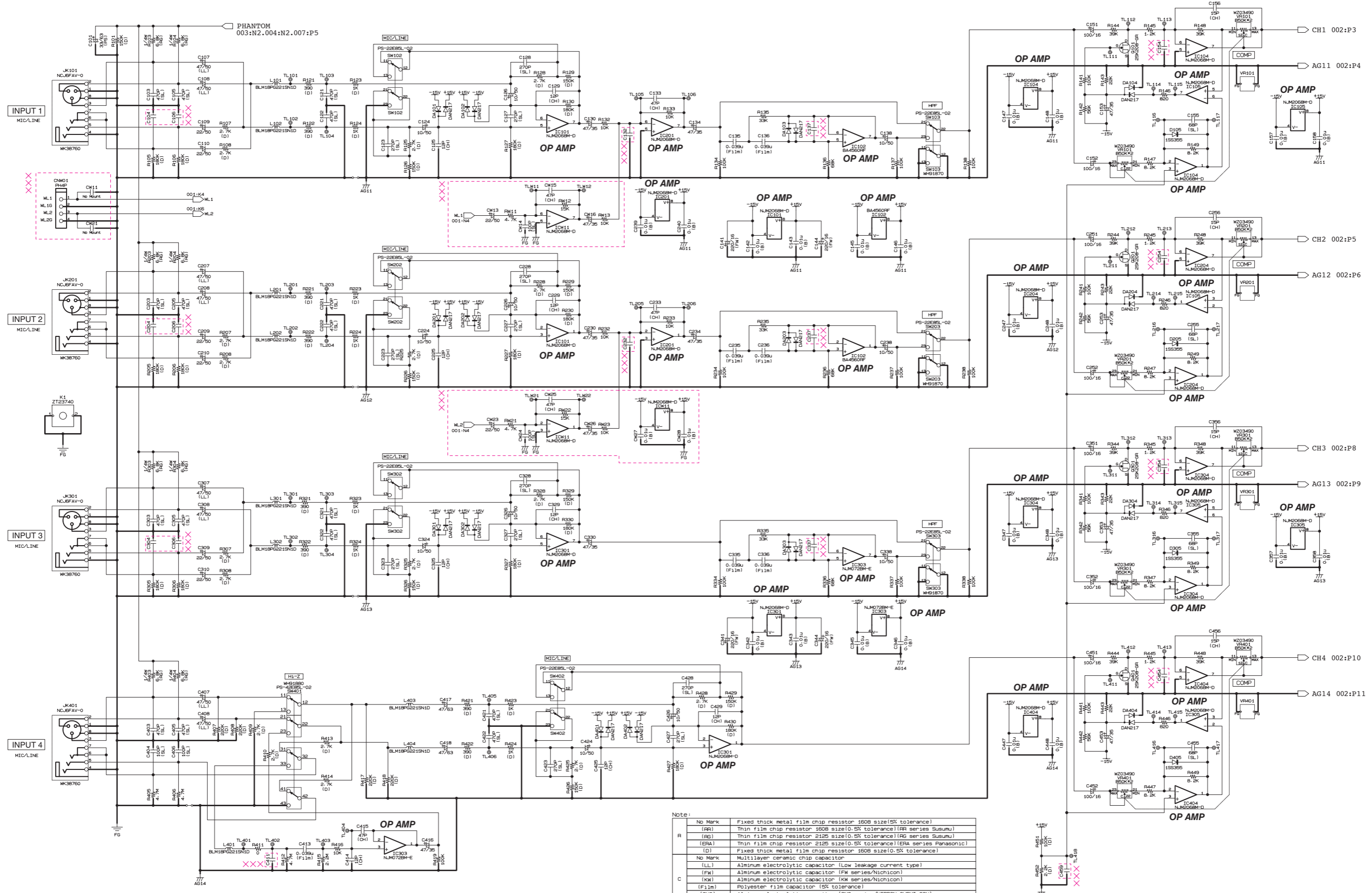
DMP 005 CIRCUIT DIAGRAM (EMX7)

EMX7/EMX5



MIX7 001 CIRCUIT DIAGRAM (EMX7)

EMX7/EMX5

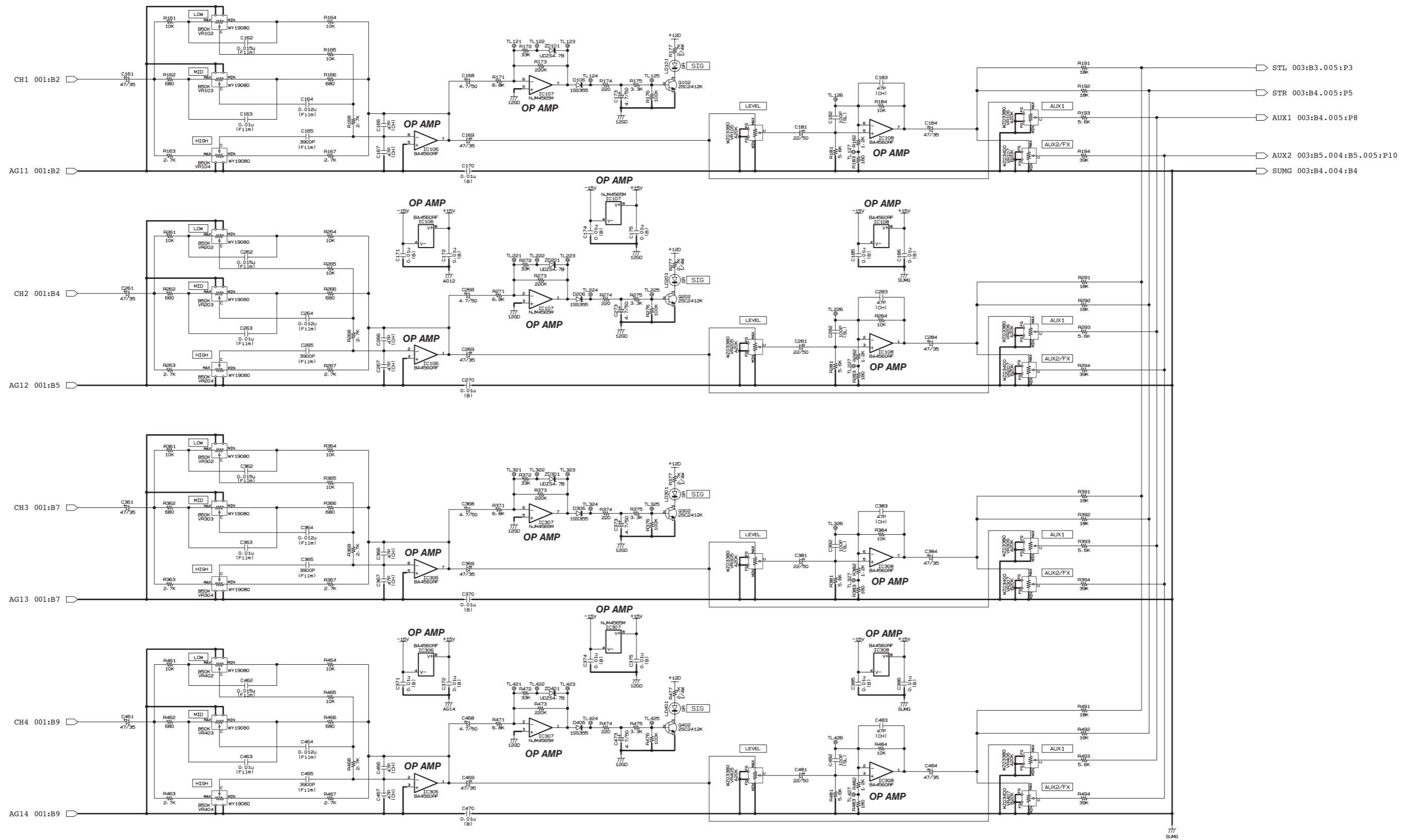


Note:

No Mark	Fixed thick metal film chip resistor 1608 size(5% tolerance)
(FR)	Thin film chip resistor 1608 size(0.5% tolerance)(FR series Susumu)
(RG)	Thin film chip resistor 2125 size(0.5% tolerance)(RG series Susumu)
(ER)	Thin film chip resistor 2125 size(0.5% tolerance)(ER series Panasonic)
(D)	Fixed thick metal film chip resistor 1608 size(0.5% tolerance)
No Mark	Multilayer ceramic chip capacitor
(LL)	Aluminum electrolytic capacitor (Low leakage current type)
(FW)	Aluminum electrolytic capacitor (FW series/Nichicon)
(KW)	Aluminum electrolytic capacitor (KW series/Nichicon)
(Ffilm)	Polyester film capacitor (5% tolerance)
(SMG)	Aluminum electrolytic capacitor (SMG series/NIPPON CHEMI-CON)
(PS)	Aluminum electrolytic capacitor (PS series/Nichicon)

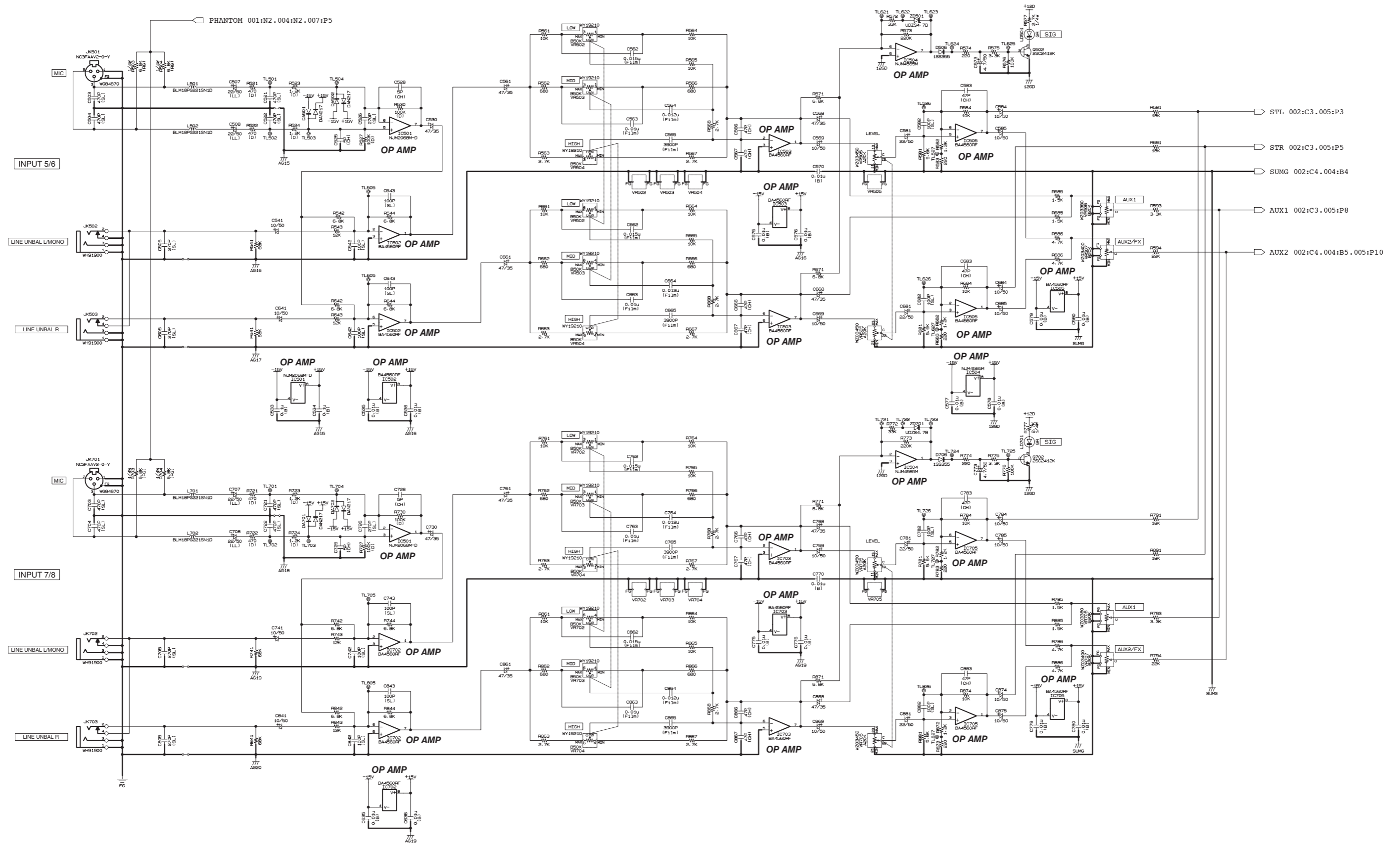
MIX7 002 CIRCUIT DIAGRAM (EMX7)

EMX7/EMX5



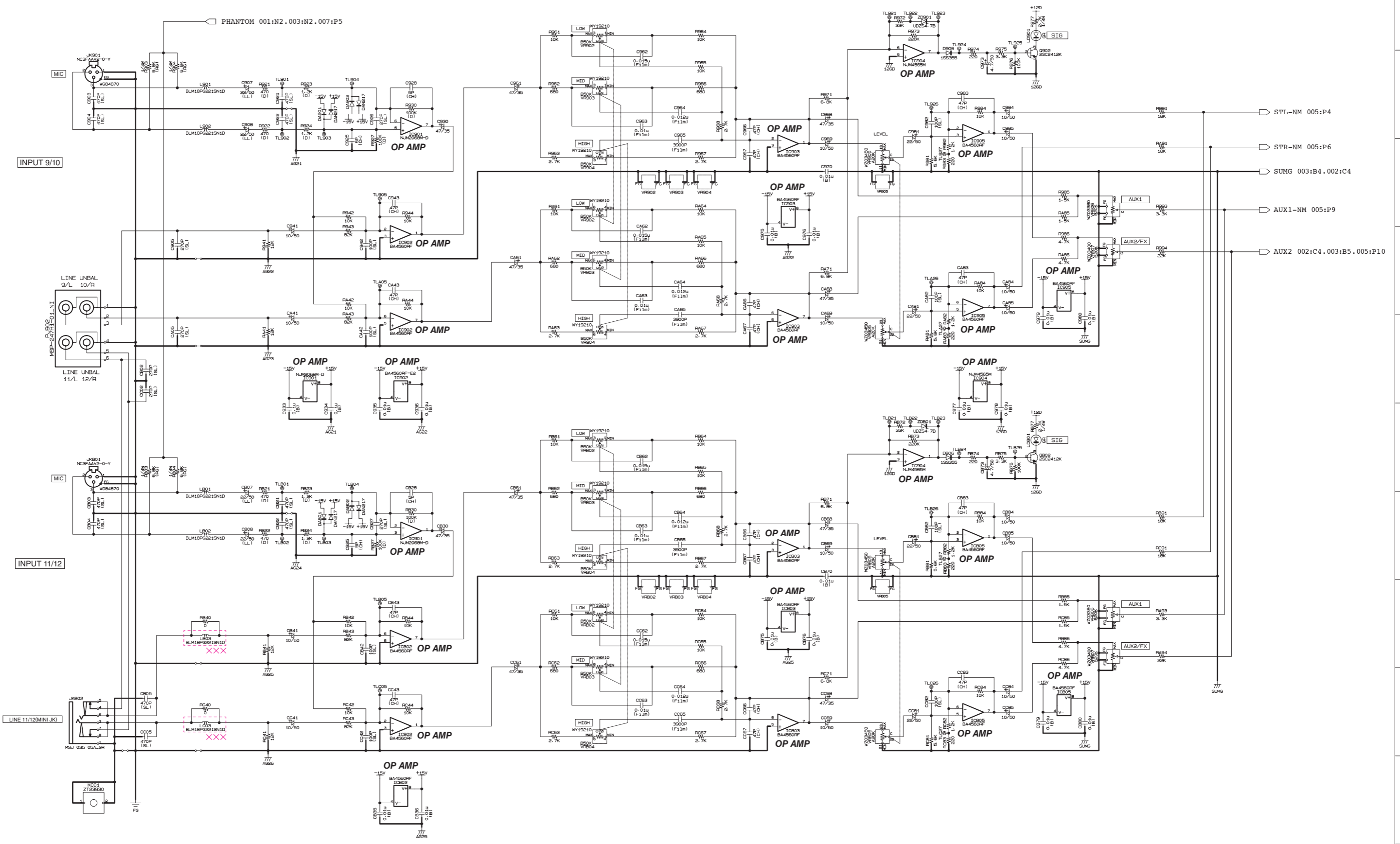
MIX7 003 CIRCUIT DIAGRAM (EMX7)

EMX7/EMX5



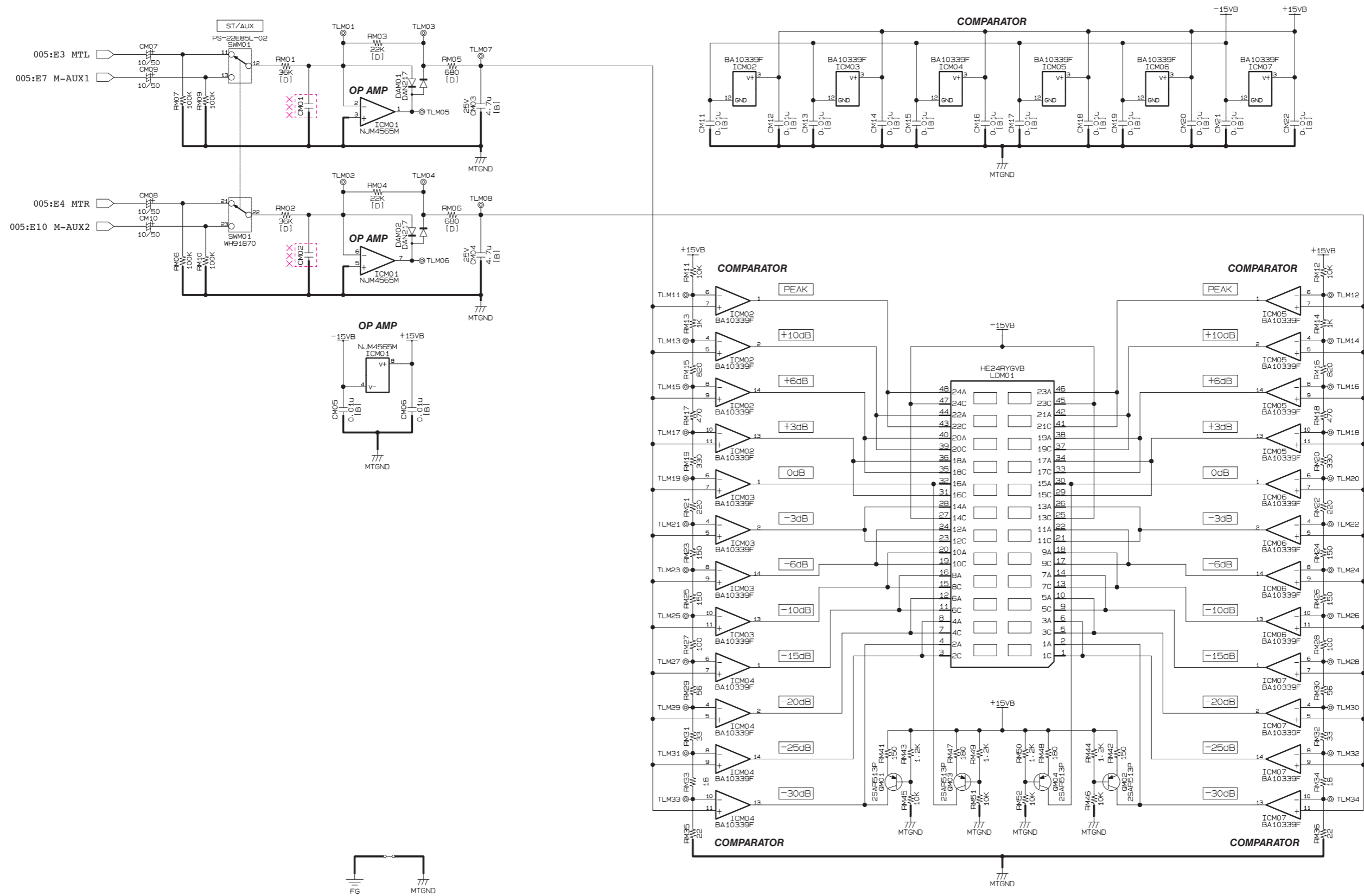
MIX7 004 CIRCUIT DIAGRAM (EMX7)

EMX7/EMX5



MIX7 006 CIRCUIT DIAGRAM (EMX7)

EMX7/EMX5



MIX7 007 CIRCUIT DIAGRAM (EMX7)

EMX7/EMX5

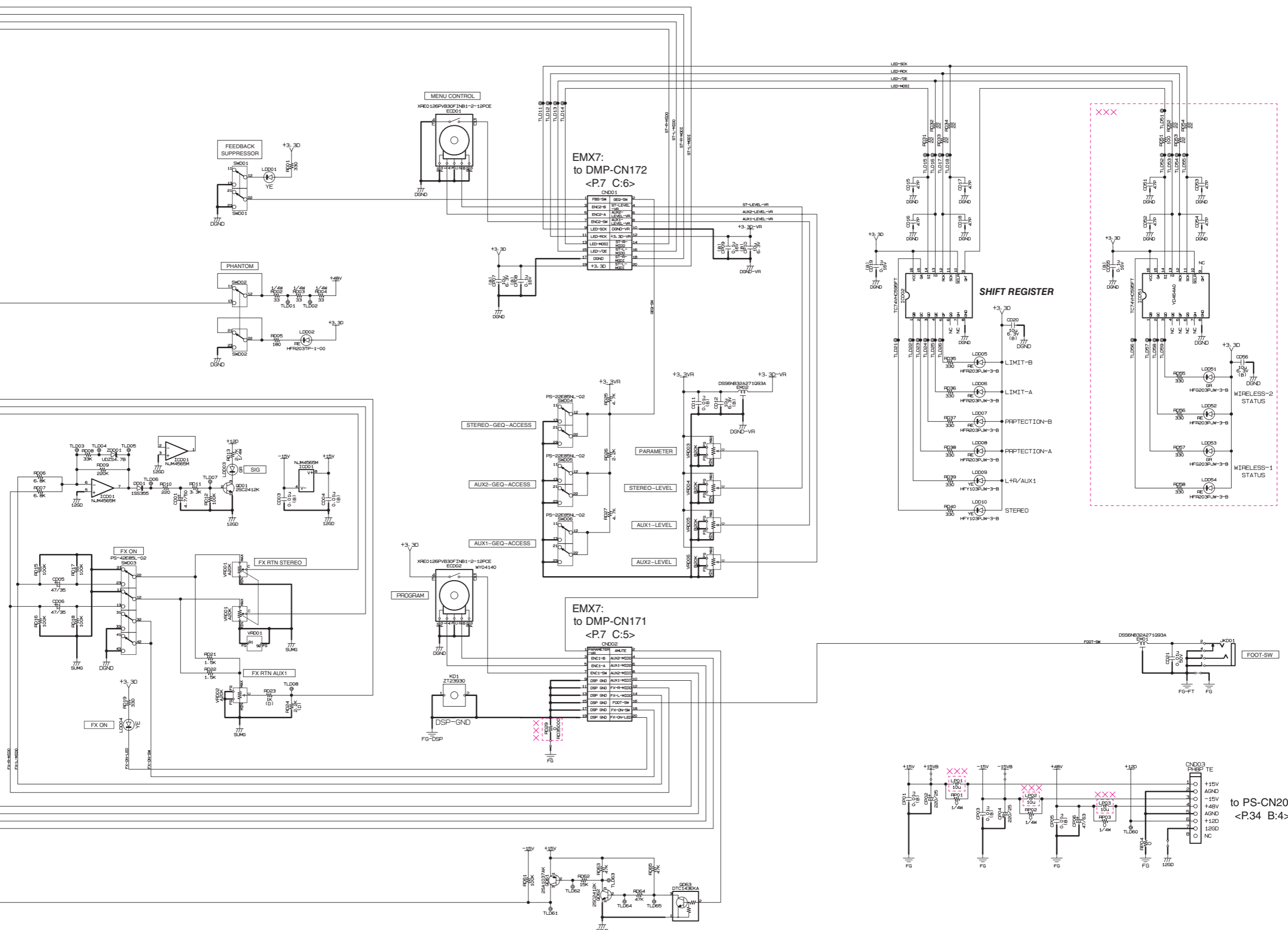
005:J3 ST-L-MODI
005:J6 ST-R-MODI
003:H3 ST-L-MIDO
005:H4 ST-R-MIDO

PHANTOM
001:N2.003:N2.004:N2

005:P8 FX-RTN-AUX1
005:P6 FX-RTN-STR
005:P3 FX-RTN-STL

005:J7 AUX1-MODI
005:J10 AUX2-MODI
005:H7 AUX1-MIDO
005:H10 AUX2-MIDO

005:E2 AMUTE



EMX7:
to DMP-CN172
<P.7 C:6>

EMX7:
to DMP-CN171
<P.7 C:5>

SHIFT REGISTER

to PS-CN202
<P.34 B:4>

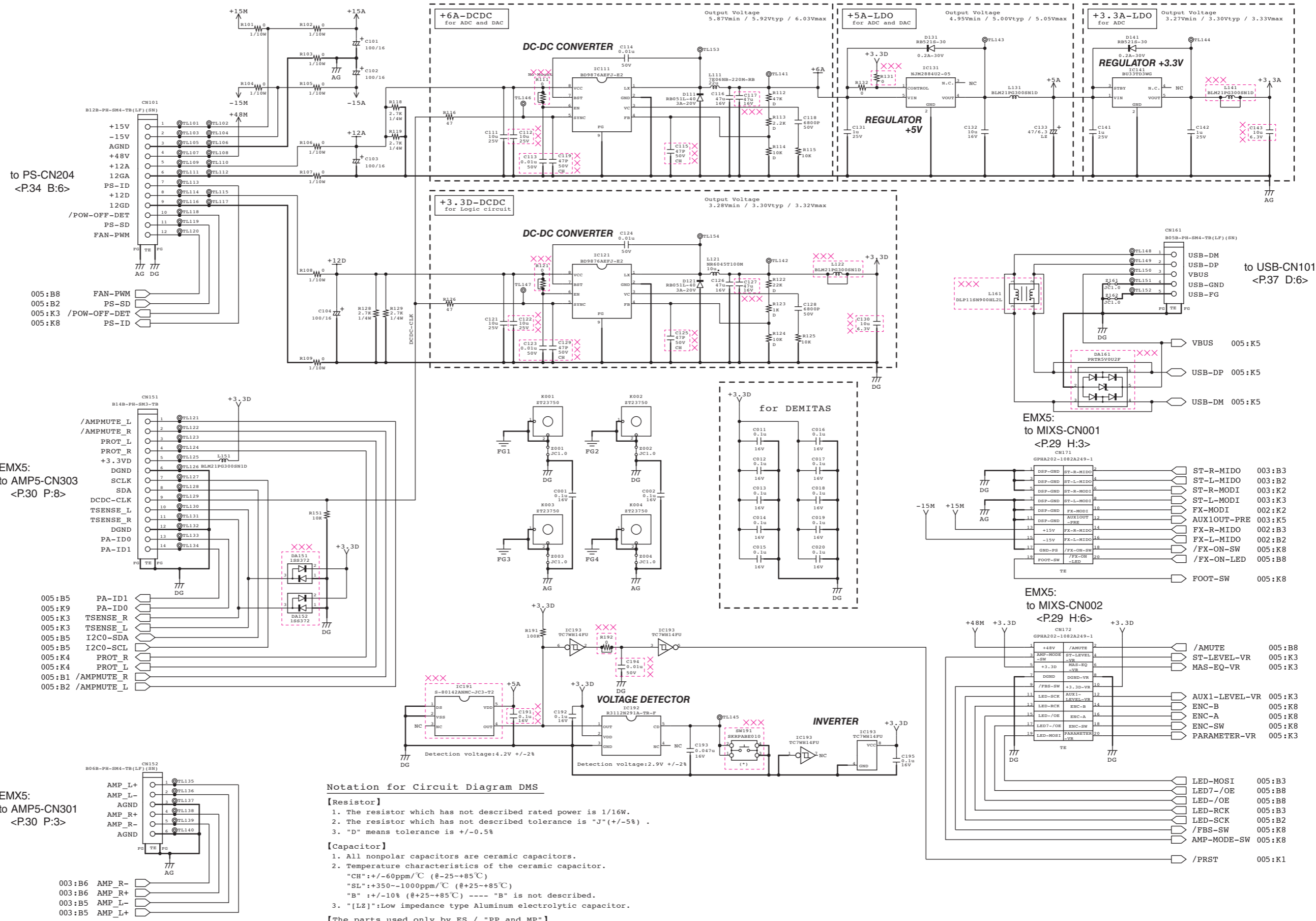
×××: Not installed(未実装)

MIX7 007 CIRCUIT DIAGRAM (EMX7)

1
2
3
4
5
6
7
8
9
10
11
12

DMS 001 CIRCUIT DIAGRAM (EMX5)

EMX7/EMX5



to PS-CN204
<P.34 B:6>

005:B8 FAN-PWM
005:B2 PS-SD
005:K3 /POW-OFF-DET
005:K8 PS-ID

EMX5:
to AMP5-CN303
<P.30 P:8>

005:B5 PA-ID1
005:K9 PA-ID0
005:K3 TSENSE_R
005:K3 TSENSE_L
005:B5 I2C0-SDA
005:B5 I2C0-SCL
005:K4 PROT_R
005:K4 PROT_L
005:B1 /AMPMUTE_R
005:B2 /AMPMUTE_L

EMX5:
to AMP5-CN301
<P.30 P:3>

003:B6 AMP_R-
003:B6 AMP_R+
003:B5 AMP_L-
003:B5 AMP_L+

to USB-CN101
<P.37 D:6>

005:K5 VBUS
005:K5 USB-DP
005:K5 USB-DM

EMX5:
to MIXS-CN001
<P.29 H:3>

003:B3 ST-R-MIDO
003:B2 ST-L-MIDO
003:K2 ST-R-MODI
003:K3 ST-L-MODI
002:K2 FX-MODI
003:K5 AUX1OUT-PRE
002:B3 FX-R-MIDO
002:B2 FX-L-MIDO
005:K8 /FX-ON-SW
005:B8 /FX-ON-LED

EMX5:
to MIXS-CN002
<P.29 H:6>

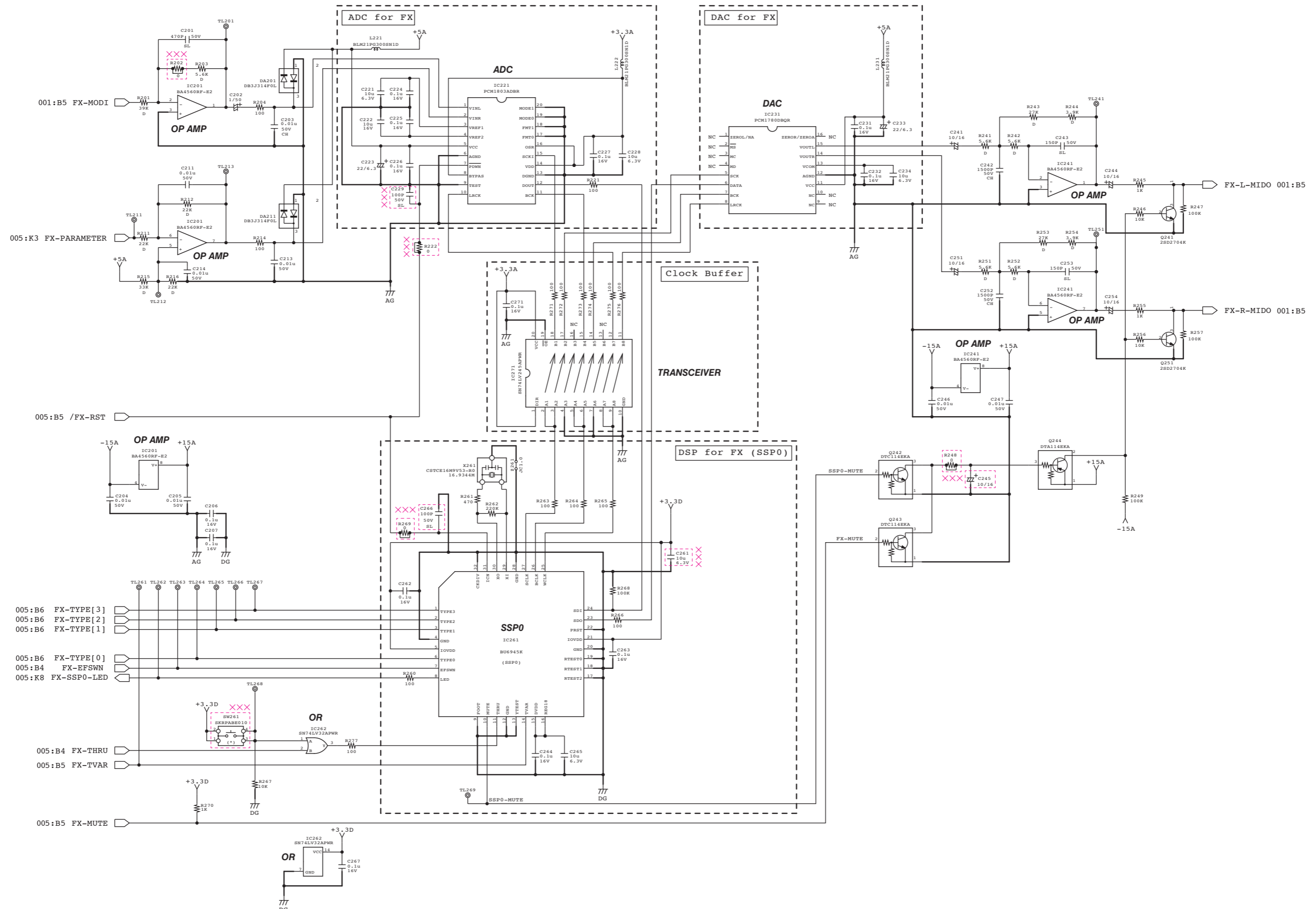
005:B8 /AMUTE
005:K3 ST-LEVEL-VR
005:K3 MAS-EQ-VR
005:K3 AUX1-LEVEL-VR
005:K3 ENC-B
005:K8 ENC-A
005:K8 ENC-SW
005:K3 PARAMETER-VR
005:B3 LED-MOSI
005:B8 LED7-/OE
005:B8 LED-/OE
005:B3 LED-RCK
005:B2 LED-SCK
005:K8 /FBS-SW
005:K8 AMP-MODE-SW
005:K1 /PRST

- Notation for Circuit Diagram DMS**
- [Resistor]**
- The resistor which has not described rated power is 1/16W.
 - The resistor which has not described tolerance is "J" (+/-5%).
 - "D" means tolerance is +/-0.5%
- [Capacitor]**
- All nonpolar capacitors are ceramic capacitors.
 - Temperature characteristics of the ceramic capacitor.
"CH": +/-60ppm/C (@-25~+85°C)
"SL": +/-350~-1000ppm/C (@+25~+85°C)
"B": +/-10% (@+25~+85°C) ---- "B" is not described.
 - "[LZ]": Low impedance type Aluminum electrolytic capacitor.
- [The parts used only by ES / "PP and MP"]**
- The parts which attached the mark of (*) are used only by ES.
 - The parts which attached the mark of (**) are used only by PP and MP.

XXX: Not installed(未実装)

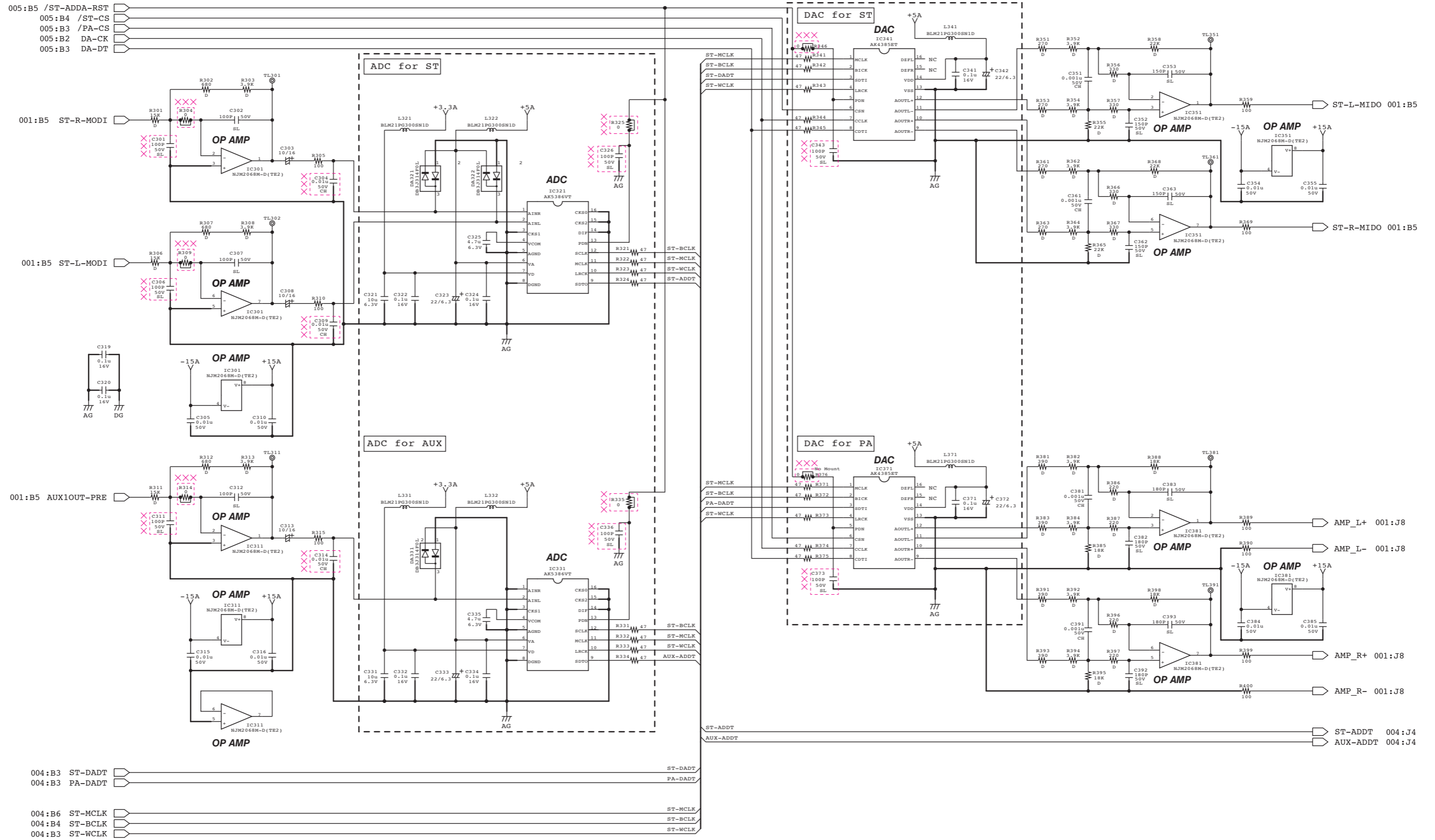
DMS 002 CIRCUIT DIAGRAM (EMX5)

EMX7/EMX5



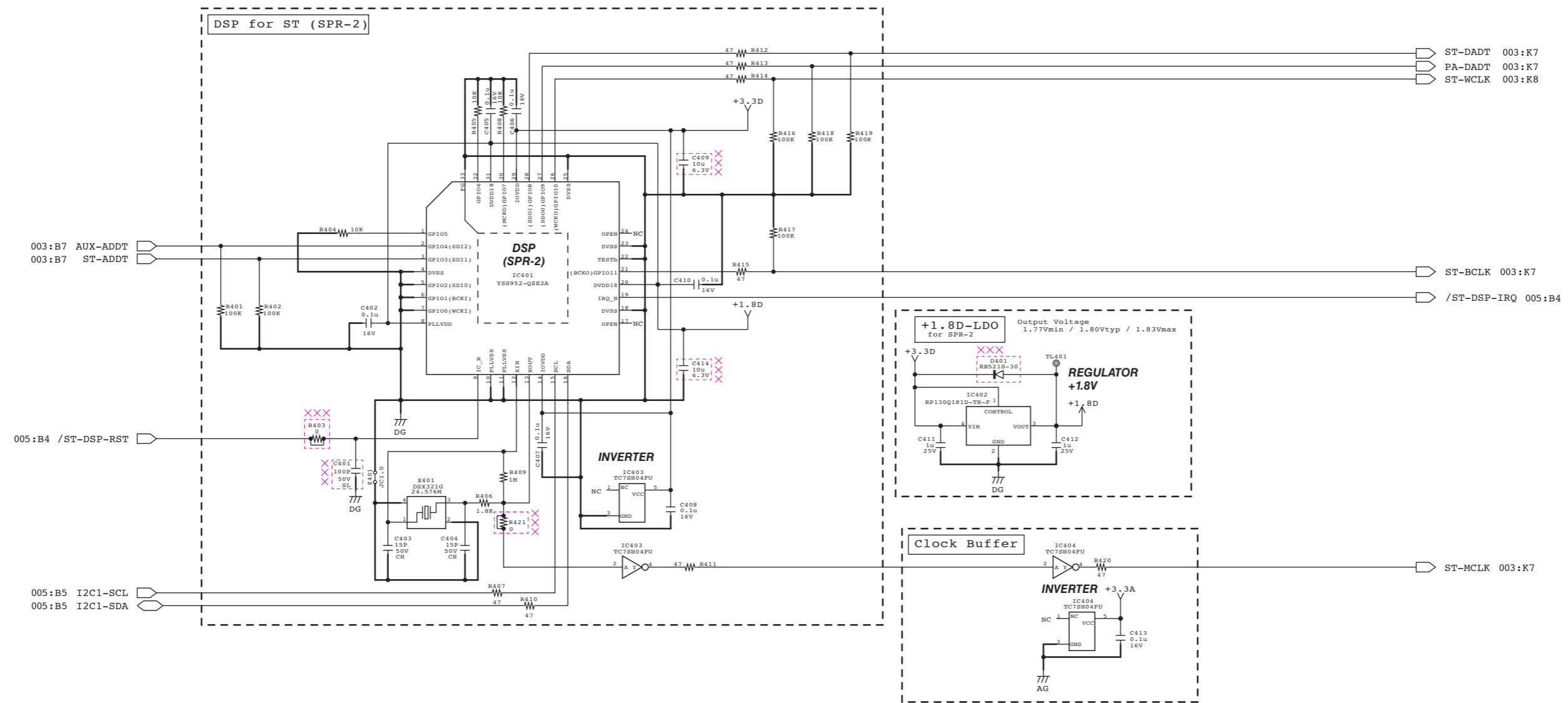
DMS 003 CIRCUIT DIAGRAM (EMX5)

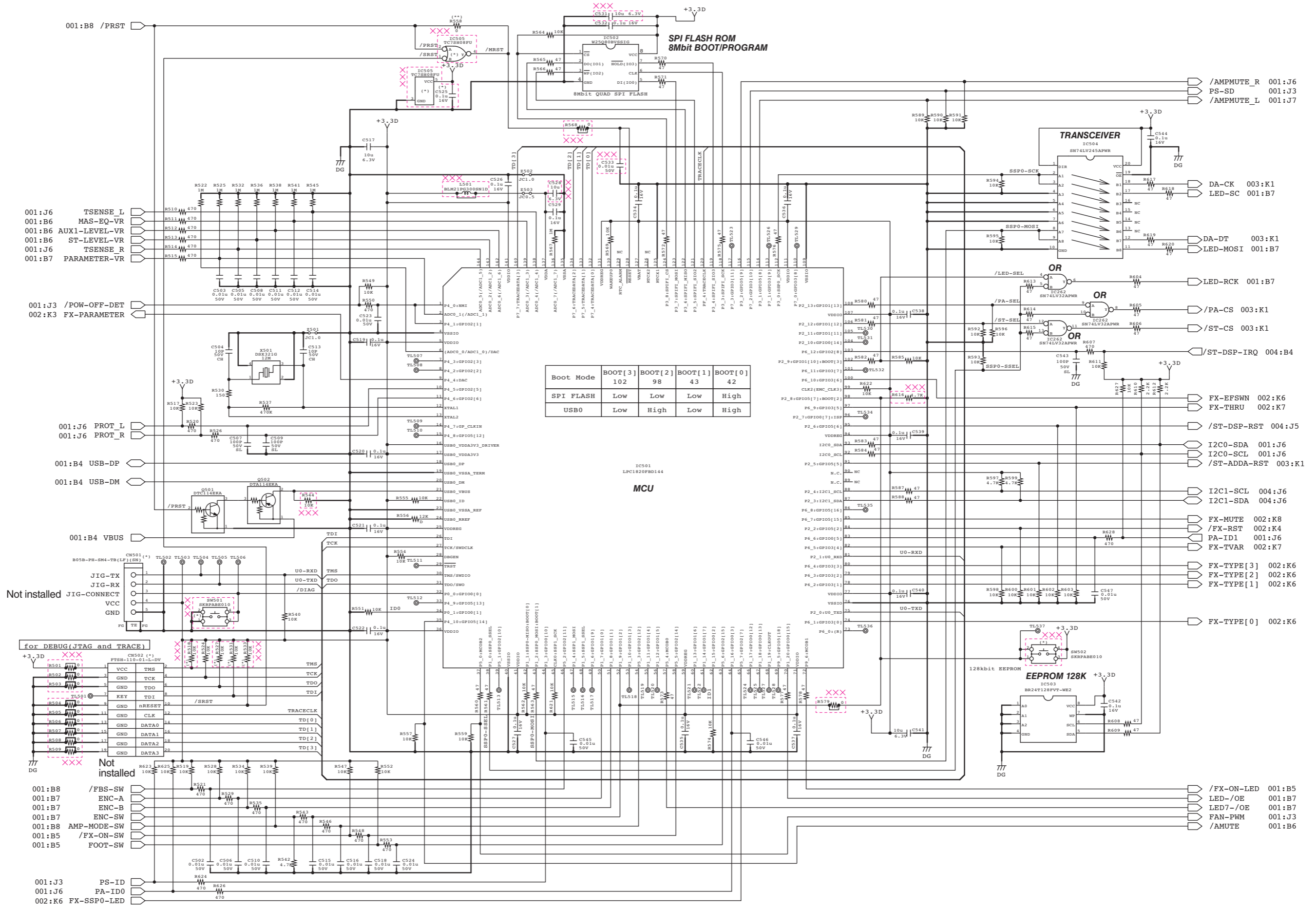
EMX7/EMX5



■ DMS 004 CIRCUIT DIAGRAM (EMX5)

EMX7/EMX5





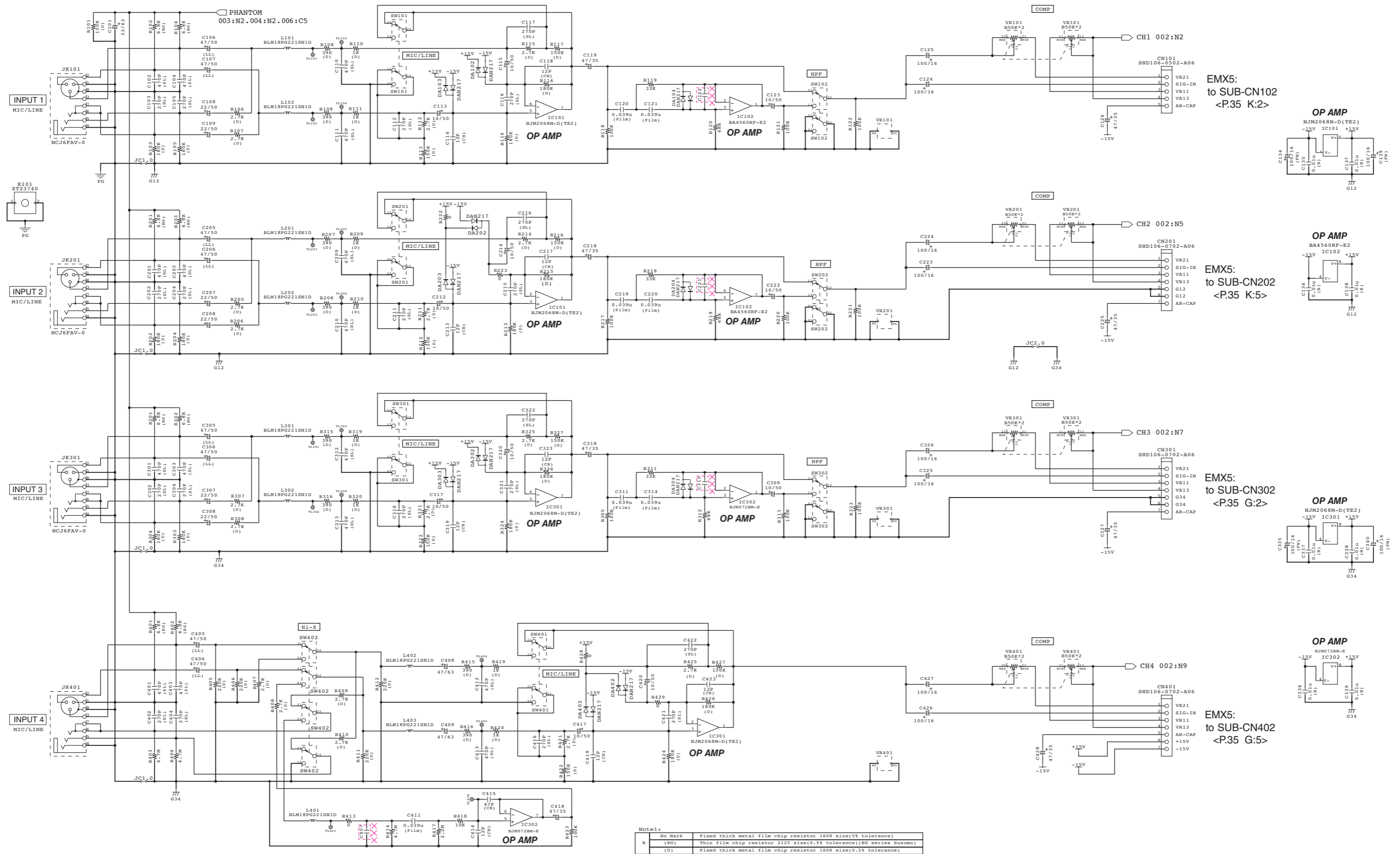
Boot Mode	BOOT[3]	BOOT[2]	BOOT[1]	BOOT[0]
SPI FLASH	Low	Low	Low	High
USB0	Low	High	Low	High

- 001:B8 /PRST
- 001:J6 TSense L
- 001:B6 MAS-EQ-VR
- 001:B6 AUX1-LEVEL-VR
- 001:B6 ST-LEVEL-VR
- 001:J6 TSense R
- 001:B7 PARAMETER-VR
- 001:J3 /POW-OFF-DET
- 002:K3 FX-PARAMETER
- 001:J6 PROT_L
- 001:J6 PROT_R
- 001:B4 USB-DP
- 001:B4 USB-DM
- 001:B4 VBUS
- Not installed JIG-TX
- Not installed JIG-RX
- Not installed JIG-CONNECT
- Not installed VCC
- Not installed GND
- Not installed TMS
- Not installed TCK
- Not installed TDO
- Not installed TDI
- Not installed nRESET
- Not installed TRACECLK
- Not installed TD[0]
- Not installed TD[1]
- Not installed TD[2]
- Not installed TD[3]
- 001:B8 /FBS-SW
- 001:B7 ENC-A
- 001:B7 ENC-B
- 001:B7 ENC-SW
- 001:B8 AMP-MODE-SW
- 001:B5 /FX-ON-SW
- 001:B5 FOOT-SW
- 001:J3 PS-ID
- 001:J6 PA-ID0
- 002:K6 FX-SSP0-LED

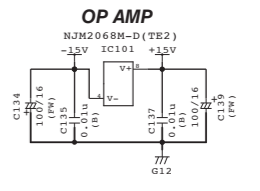
- /AMPMUTE_R 001:J6
- PS-SD 001:J3
- /AMPMUTE_L 001:J7
- DA-CK 003:K1
- LED-SC 001:B7
- DA-DT 003:K1
- LED-MOSI 001:B7
- LED-RCK 001:B7
- PA-CS 003:K1
- ST-CS 003:K1
- ST-DSP-IRQ 004:B4
- FX-EFSWN 002:K6
- FX-THRU 002:K7
- /ST-DSP-RST 004:J5
- I2C0-SDA 001:J6
- I2C0-SCL 001:J6
- /ST-ADDA-RST 003:K1
- I2C1-SCL 004:J6
- I2C1-SDA 004:J6
- FX-MUTE 002:K8
- /FX-RST 002:K4
- PA-ID1 001:J6
- FX-TVAR 002:K7
- FX-TYPE[3] 002:K6
- FX-TYPE[2] 002:K6
- FX-TYPE[1] 002:K6
- FX-TYPE[0] 002:K6
- /FX-ON-LED 001:B5
- LED-/OE 001:B7
- LED7-/OE 001:B7
- FAN-PWM 001:J3
- /AMUTE 001:B6

■ MIXS 001 CIRCUIT DIAGRAM (EMX5)

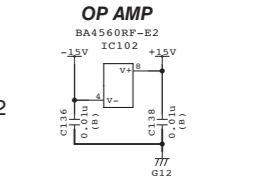
EMX7/EMX5



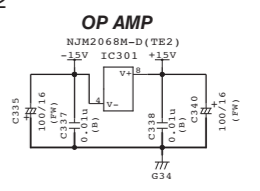
EMX5:
to SUB-CN102
<P.35 K:2>



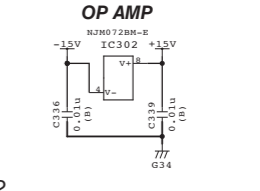
EMX5:
to SUB-CN202
<P.35 K:5>



EMX5:
to SUB-CN302
<P.35 G:2>



EMX5:
to SUB-CN402
<P.35 G:5>



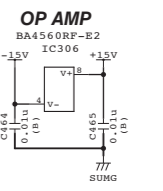
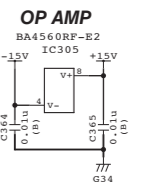
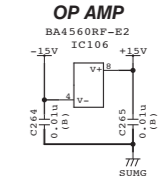
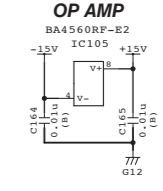
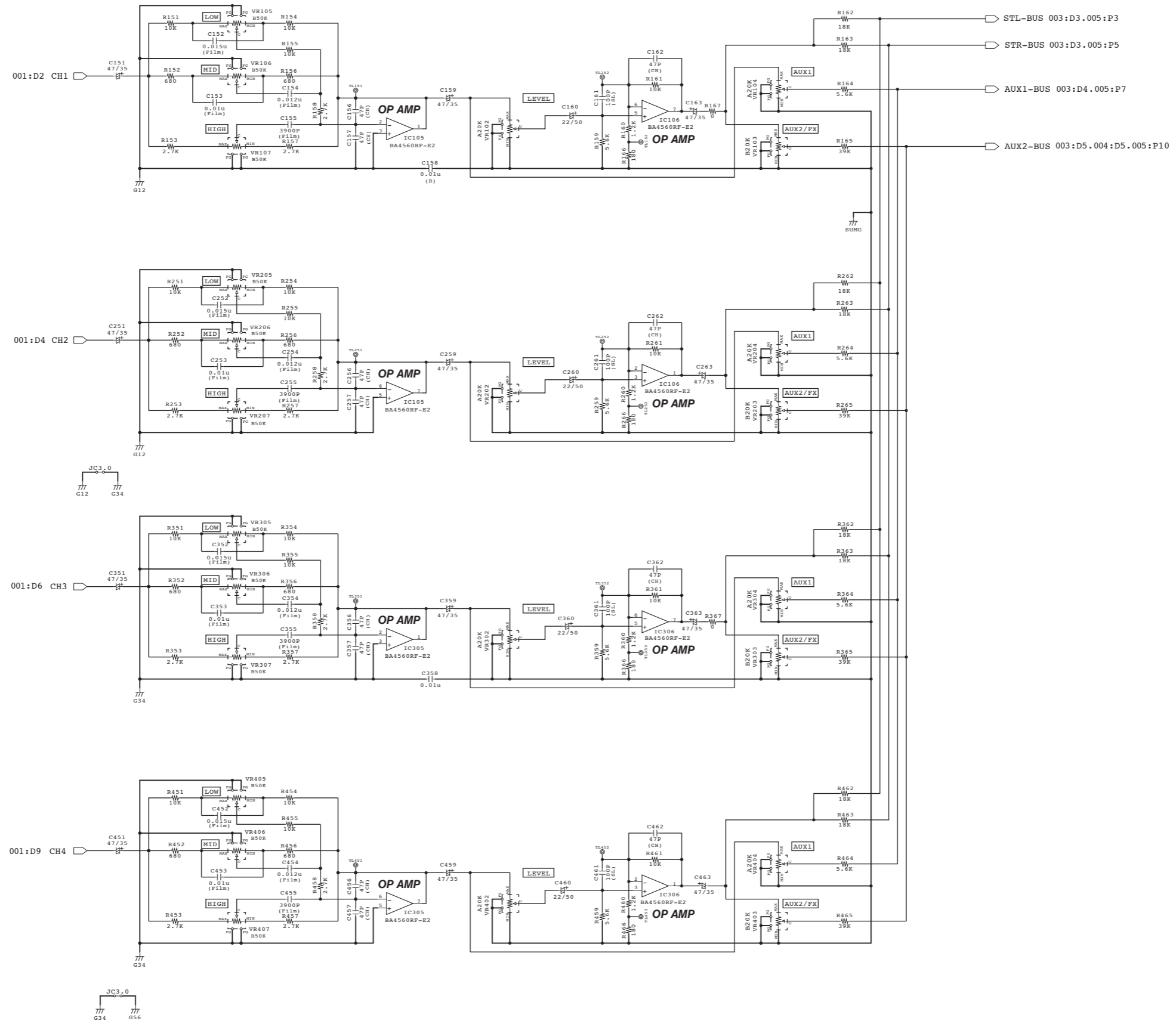
Notel:

R	No Mark	Fixed thick metal film chip resistor 1608 size(5% tolerance)
R	(RG)	Thin film chip resistor 1125 size(0.5% tolerance)(RG series Susumu)
R	(D)	Fixed thick metal film chip resistor 1608 size(0.5% tolerance)
C	No Mark	Multilayer ceramic chip capacitor
C	(LL)	Aluminum electrolytic capacitor (Low leakage current type)
C	(Film)	Polyester film capacitor (5% tolerance)
C	(FW)	Aluminum electrolytic capacitor (FW series/Nichicon)

×××: Not installed(未実装)

■ MIXS 002 CIRCUIT DIAGRAM (EMX5)

EMX7/EMX5

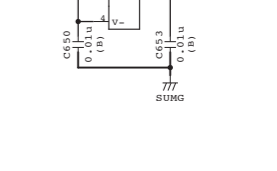
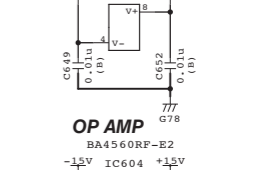
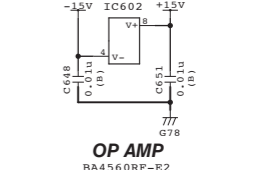
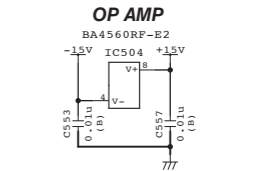
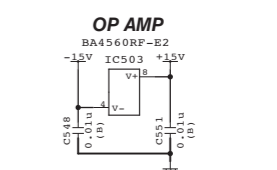
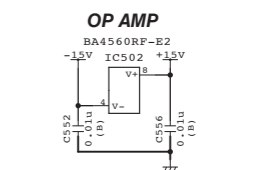
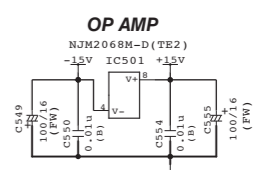
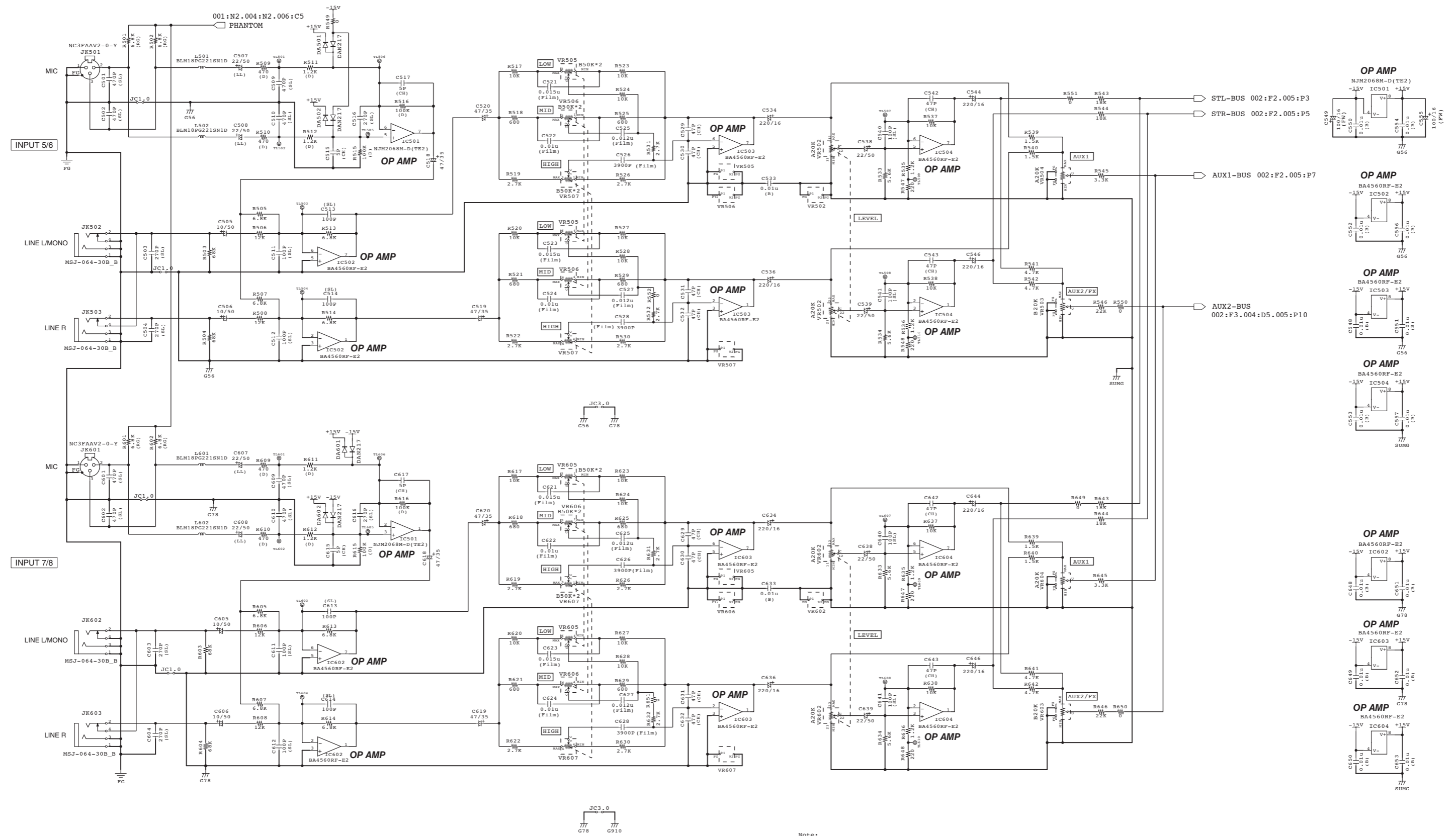


Note:

R	No Mark	Fixed thick metal film chip resistor 1608 size(5% tolerance)
(D)		Fixed thick metal film chip resistor 1608 size(0.5% tolerance)
C	No Mark	Multilayer ceramic chip capacitor
(F1m)		Polyester film capacitor (5% tolerance)

MIXS 003 CIRCUIT DIAGRAM (EMX5)

EMX7/EMX5

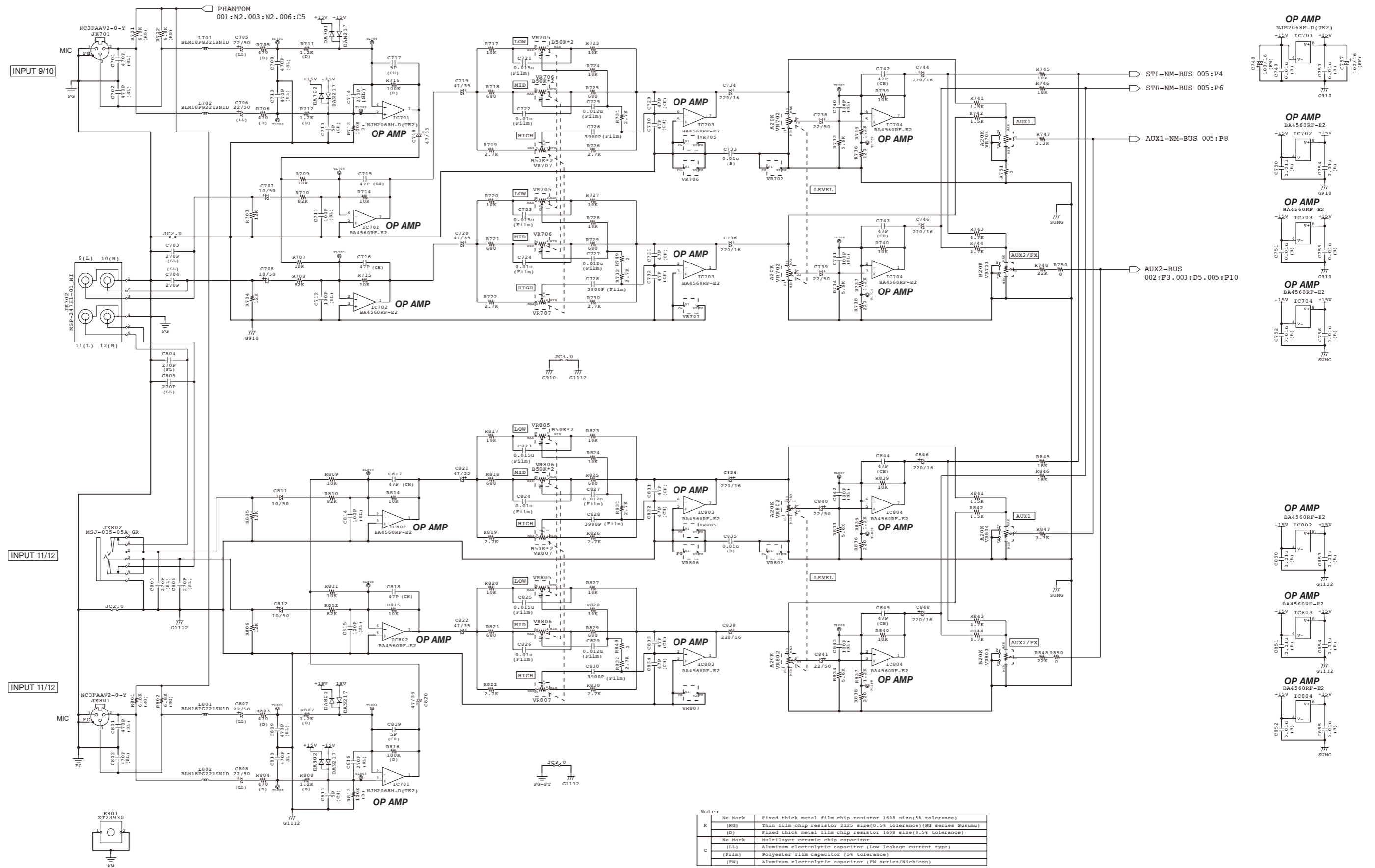


Note:

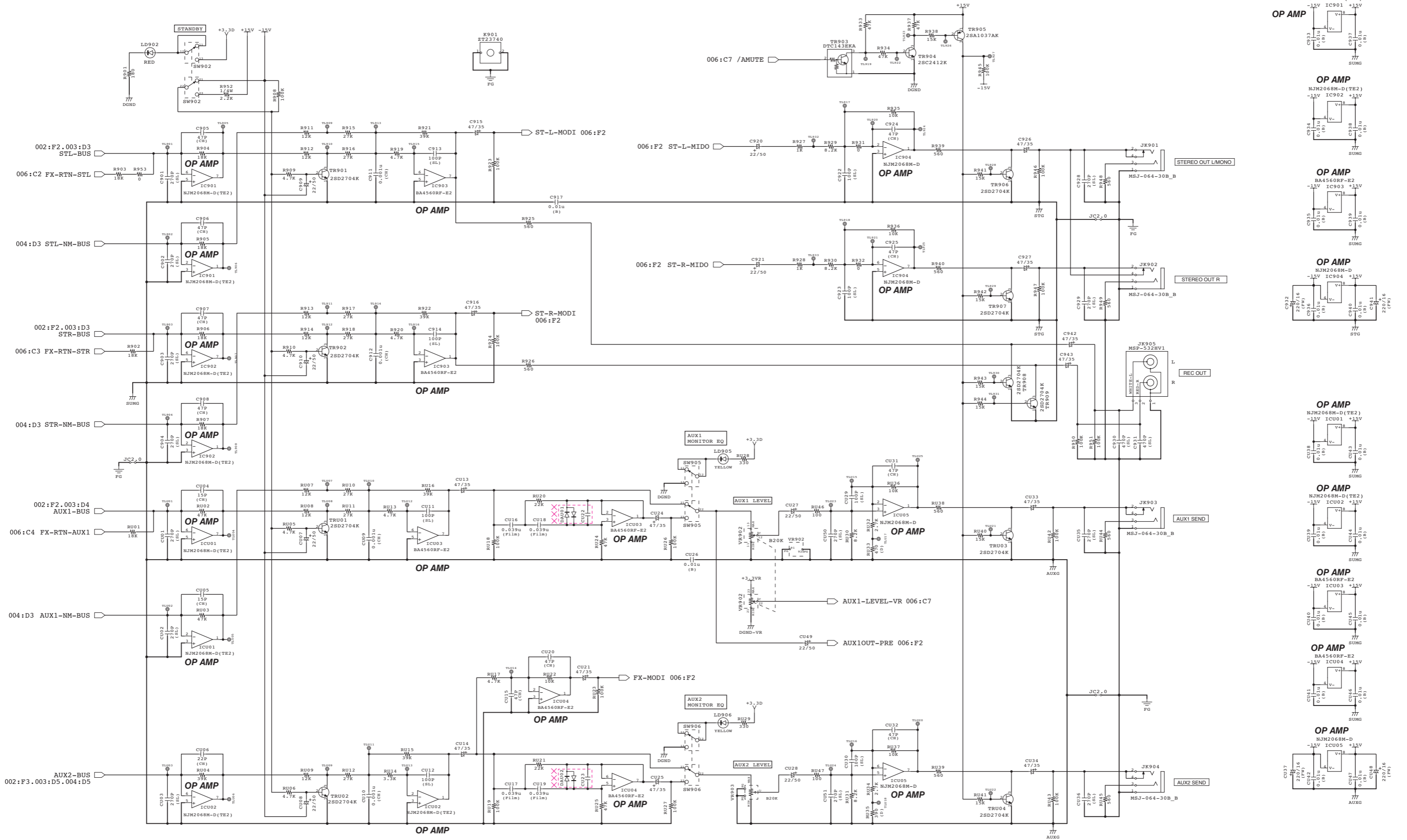
R	No Mark	Fixed thick metal film chip resistor 1608 size(5% tolerance)
	(RG)	Thin film chip resistor 2125 size(0.5% tolerance)(RG series Susumu)
	(D)	Fixed thick metal film chip resistor 1608 size(0.5% tolerance)
C	No Mark	Multilayer ceramic chip capacitor
	(LL)	Aluminum electrolytic capacitor (Low leakage current type)
	(Film)	Polymer film capacitor (5% tolerance)
	(FW)	Aluminum electrolytic capacitor (FW series/Nichicon)

■ MIXS 004 CIRCUIT DIAGRAM (EMX5)

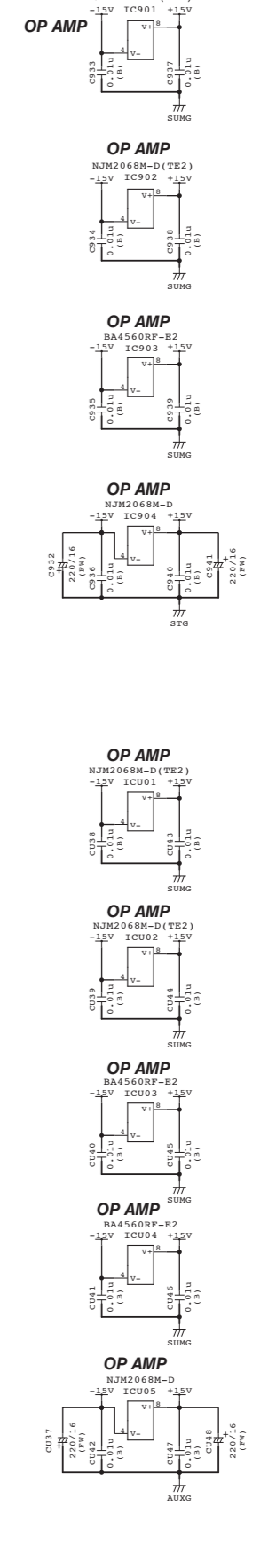
EMX7/EMX5



■ MIXS 005 CIRCUIT DIAGRAM (EMX5)



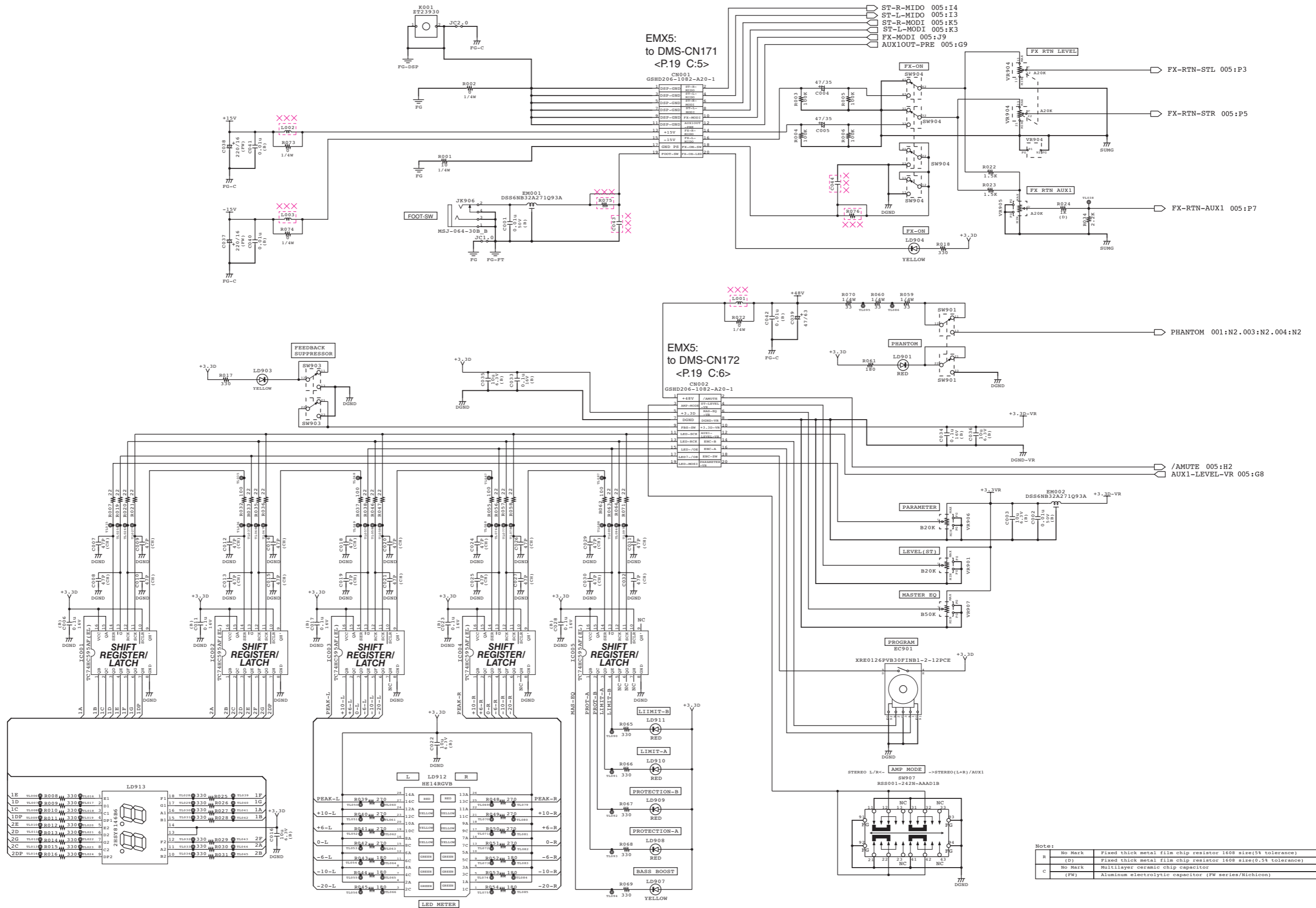
EMX7/EMX5



Note:

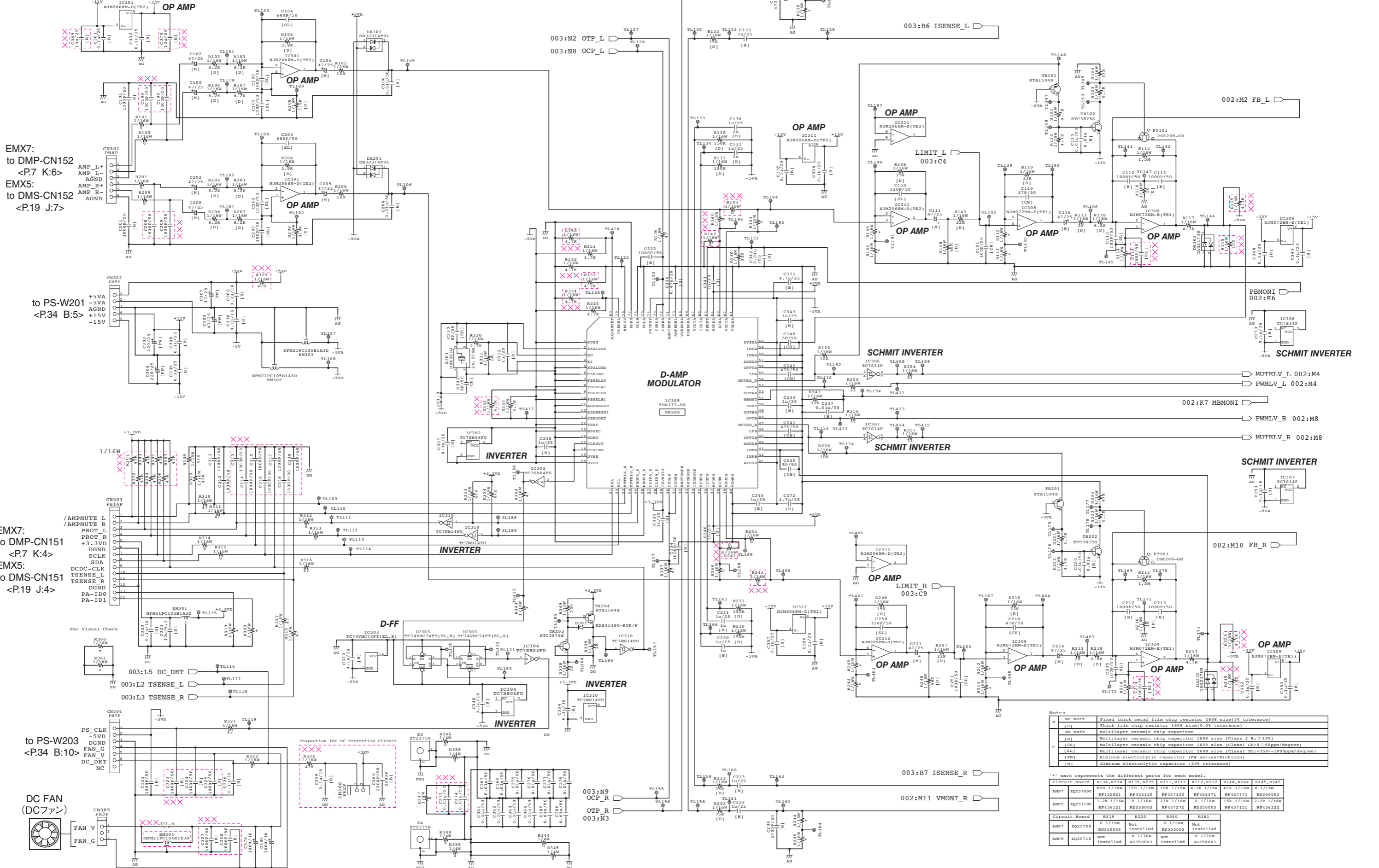
R	No Mark	Fixed thick metal film chip resistor 1608 size(5% tolerance)
D	No Mark	Fixed thick metal film chip resistor 1608 size(0.5% tolerance)
C	No Mark	Multilayer ceramic chip capacitor
(FM)	No Mark	Aluminum electrolytic capacitor (FM series/Nichicon)

×××: Not installed(未実装)



AMP7 (EMX7)/ AMP5 (EMX5) 001 CIRCUIT DIAGRAM (EMX7/EMX5)

EMX7/EMX5



EMX7:
to DMP-CN152
<P.7 K:6>
EMX5:
to DMS-JN152
<P.19 J:7>

to PS-W201
<P.34 B:5>

EMX7:
to DMP-CN151
<P.7 K:4>
EMX5:
to DMS-CN151
<P.19 J:4>

to PS-W203
<P.34 B:10>

DC FAN
(DCファン)

Note:

R	No Mark	Fixed thick metal film chip resistor 1608 size(5% tolerance)
[D]		Thick film chip resistor 1608 size(0.5% tolerance)
[C]	No Mark	Multilayer ceramic chip capacitor
[B]		Multilayer ceramic chip capacitor 1608 size (Class 2 N:10%)
[CH]		Multilayer ceramic chip capacitor 1608 size (Class 1 C0:±60ppm/degree)
[SL]		Multilayer ceramic chip capacitor 1608 size (Class 1 S1:±30-100ppm/degree)
[FW]		Aluminum electrolytic capacitor (FW series/Nichicon)
[E]		Aluminum electrolytic capacitor (20% tolerance)

--- mark represents the different parts for each model.

Circuit Board	R134,R234	R135,R235	R111,R211	R112,R212	R144,R244	R145,R245
AMP7 S25700B	R20 1/16W	150 1/16W	10K 1/16W	4.7K 1/16W	47K 1/16W	0 1/16W
AMP7 S25700C	RF455821	RF455150	RF451103	RF454471	RF454471	RD350003
AMP5 S257100	1.2K 1/16W	0 1/16W	27K 1/16W	0 1/16W	13K 1/16W	2.2K 1/16W
AMP5 S257100	RF456121	RD350003	RF457272	RD350003	RF457151	RF456222

Circuit Board	R319	R320	R360	R361
AMP7 S25700	0 1/16W	Not installed	0 1/16W	Not installed
AMP7 S25700C	RD350003	RD350003	RD350003	RD350003
AMP5 S25710	Not installed	0 1/16W	Not installed	0 1/16W
AMP5 S25710	Not installed	RD350003	Not installed	RD350003

AMP7 (EMX7)/ AMP5 (EMX5) 002 CIRCUIT DIAGRAM (EMX7/EMX5)

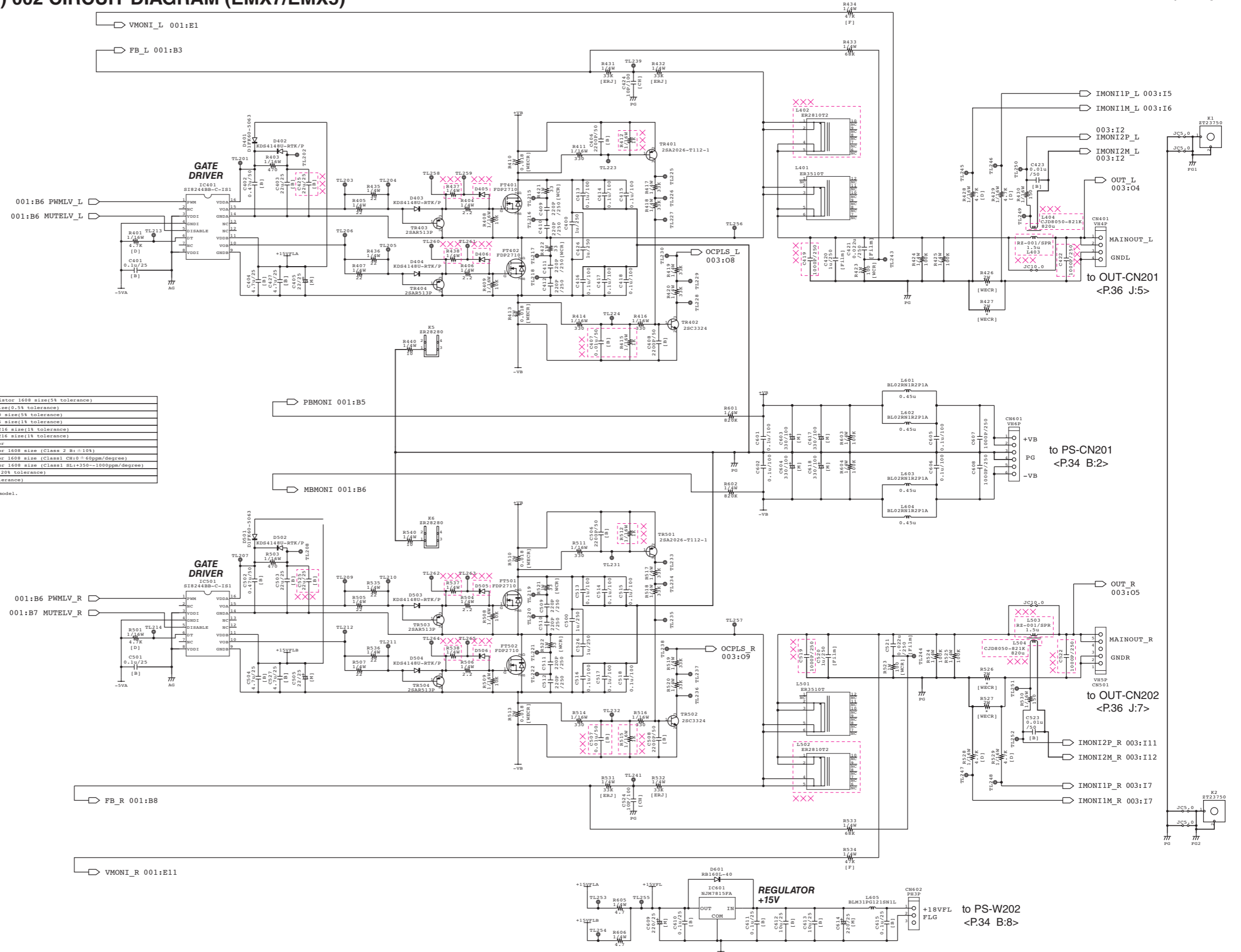
EMX7/EMX5

Note:

No Mark	Fixed thick metal film chip resistor 1608 size(5% tolerance)
[D]	Thick film chip resistor 1608 size(0.5% tolerance)
[WCR]	Thick film chip resistor 1W/250 size(5% tolerance)
[WECR]	Thick film chip resistor 2W/3264 size(1% tolerance)
[ERJ]	Thick film chip resistor 1/4W/3216 size(1% tolerance)
[F]	Thick film chip resistor 1/4W/3216 size(1% tolerance)
No Mark	Multilayer ceramic chip capacitor
[B]	Multilayer ceramic chip capacitor 1608 size (Class 2 B: ±10%)
[CH]	Multilayer ceramic chip capacitor 1608 size (Class CH0: ±60ppm/degree)
[SC]	Multilayer ceramic chip capacitor 1608 size (Class SL: ±350~1000ppm/degree)
[M]	Aluminum electrolytic capacitor (20% tolerance)
[Film]	Polyester film capacitor (5% tolerance)

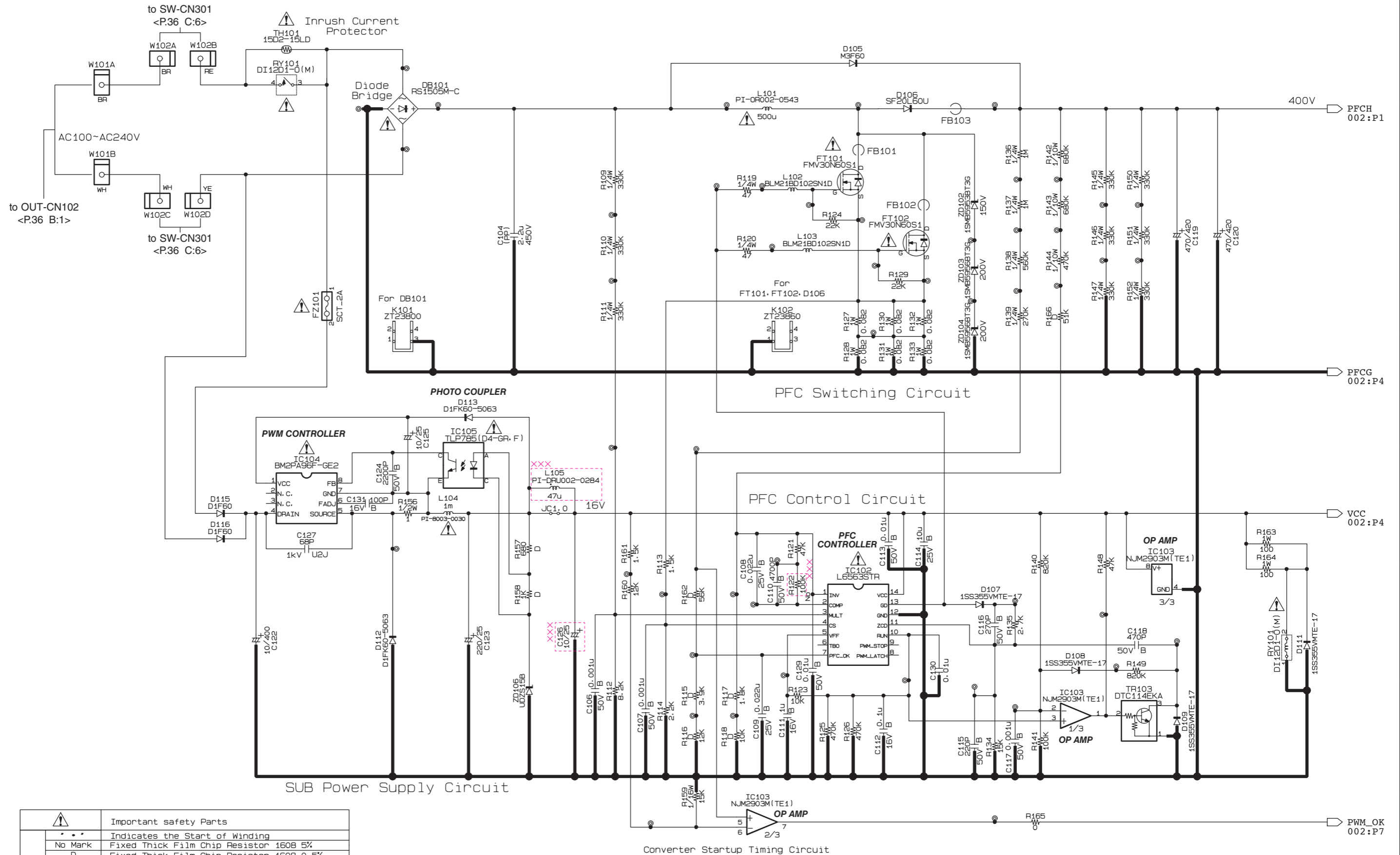
*** mark represents the different parts for each model.

Circuit Board	R426, R427, R526, R527
AMP7 ZQ257000	0.047 2W ZM992200
AMP5 ZQ257100	0.068 2W ZM992400



PS 001 CIRCUIT DIAGRAM (EMX7/EMX5)

EMX7/EMX5



Important safety Parts	
•••	Indicates the Start of Winding
No Mark	Fixed Thick Film Chip Resistor 1608 5%
D	Fixed Thick Film Chip Resistor 1608 0.5%
1/10W	Fixed Thick Film Chip Resistor 2125 0.5%
1/4W	Fixed Thick Film Chip Resistor 3216 5%
1W	Fixed Thick Film Chip Resistor 5025 5%
1W MOF	Fixed Metal Oxide Film Resistor 5%
2W MOF	Fixed Metal Oxide Film Resistor 5%

WARNING
 Components having special characteristics are marked Δ and must be replaced with parts having specification equal to those originally installed.

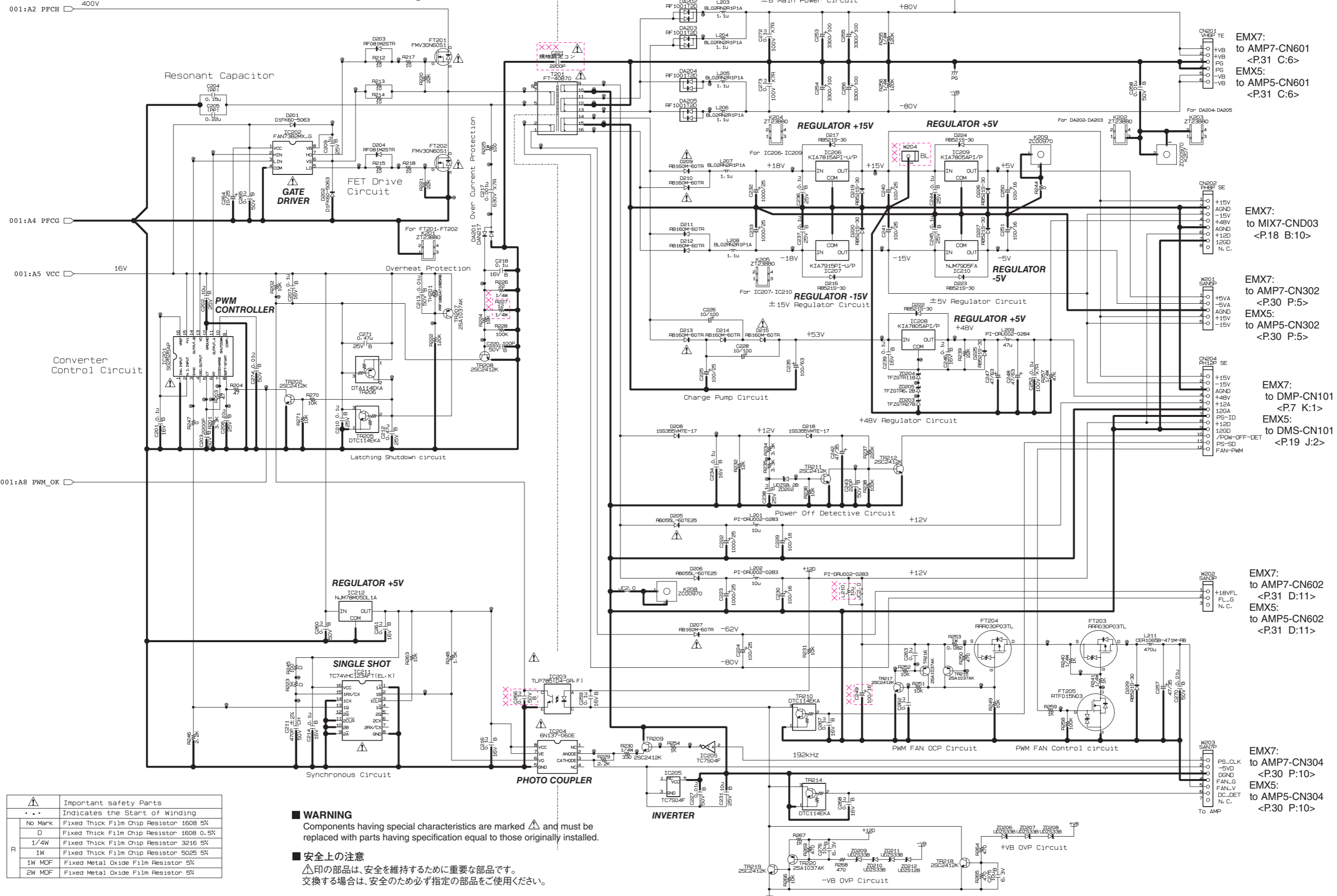
安全上の注意
 Δ 印の部品は、安全を維持するために重要な部品です。交換する場合は、安全のため必ず指定の部品をご使用ください。

XXX : Not installed (未実装)

PS 001 CIRCUIT DIAGRAM (EMX7/EMX5)

PS 002 CIRCUIT DIAGRAM (EMX7/EMX5)

EMX7/EMX5



- EMX7: to AMP7-CN601 <P.31 C:6>
- EMX5: to AMP5-CN601 <P.31 C:6>
- EMX7: to MIX7-CND03 <P.18 B:10>
- EMX7: to AMP7-CN302 <P.30 P:5>
- EMX5: to AMP5-CN302 <P.30 P:5>
- EMX7: to DMP-CN101 <P.7 K:1>
- EMX5: to DMS-CN101 <P.19 J:2>
- EMX7: to AMP7-CN602 <P.31 D:11>
- EMX5: to AMP5-CN602 <P.31 D:11>
- EMX7: to AMP7-CN304 <P.30 P:10>
- EMX5: to AMP5-CN304 <P.30 P:10>

	Important safety Parts
...	Indicates the Start of Winding
No Mark	Fixed Thick Film Chip Resistor 1608 5%
D	Fixed Thick Film Chip Resistor 1608 0.5%
1/4W	Fixed Thick Film Chip Resistor 3216 5%
1W	Fixed Thick Film Chip Resistor 5025 5%
1W MOF	Fixed Metal Oxide Film Resistor 5%
2W MOF	Fixed Metal Oxide Film Resistor 5%

WARNING
Components having special characteristics are marked and must be replaced with parts having specification equal to those originally installed.

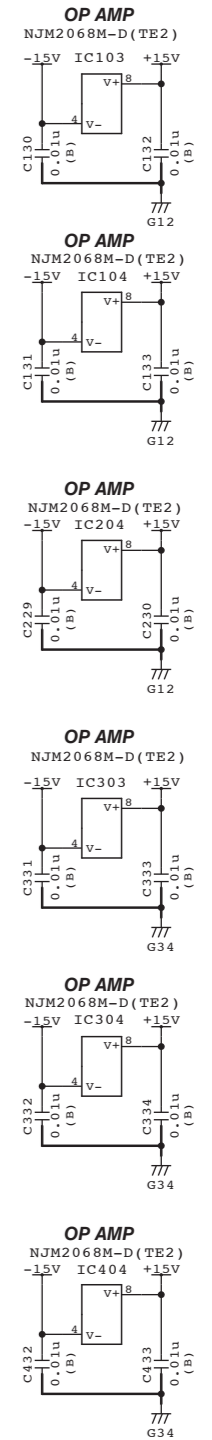
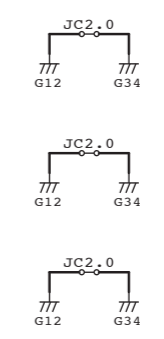
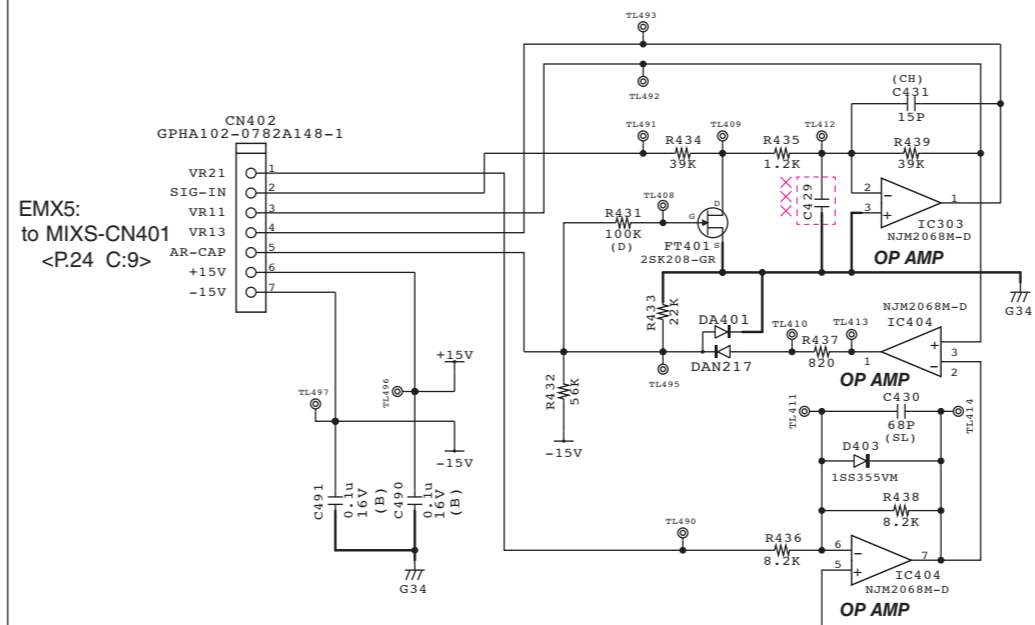
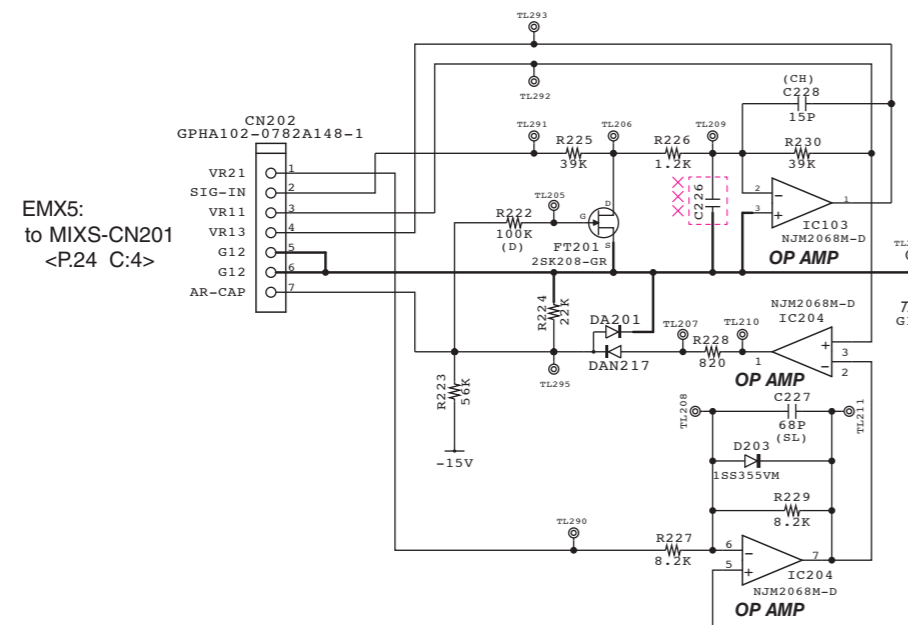
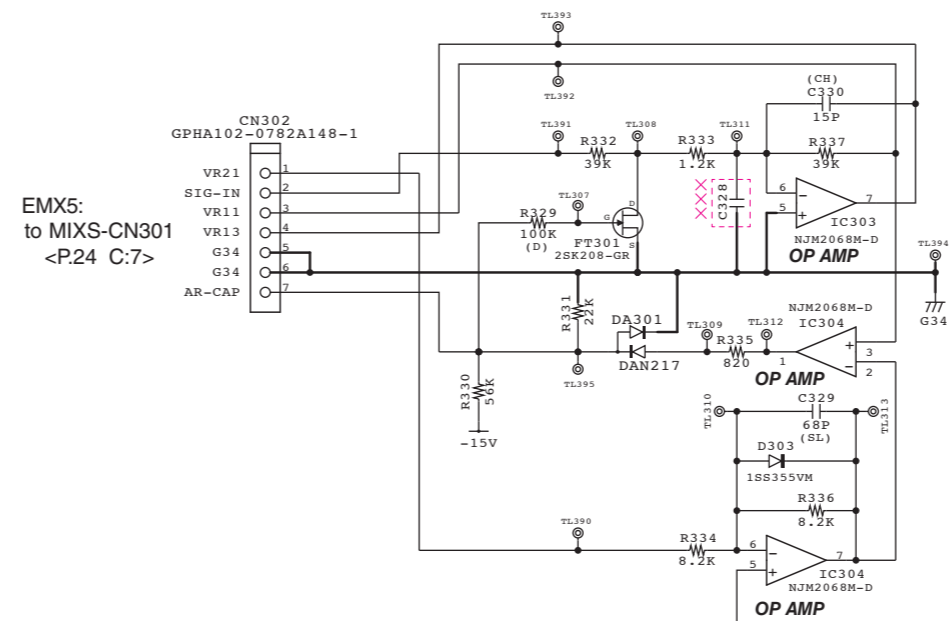
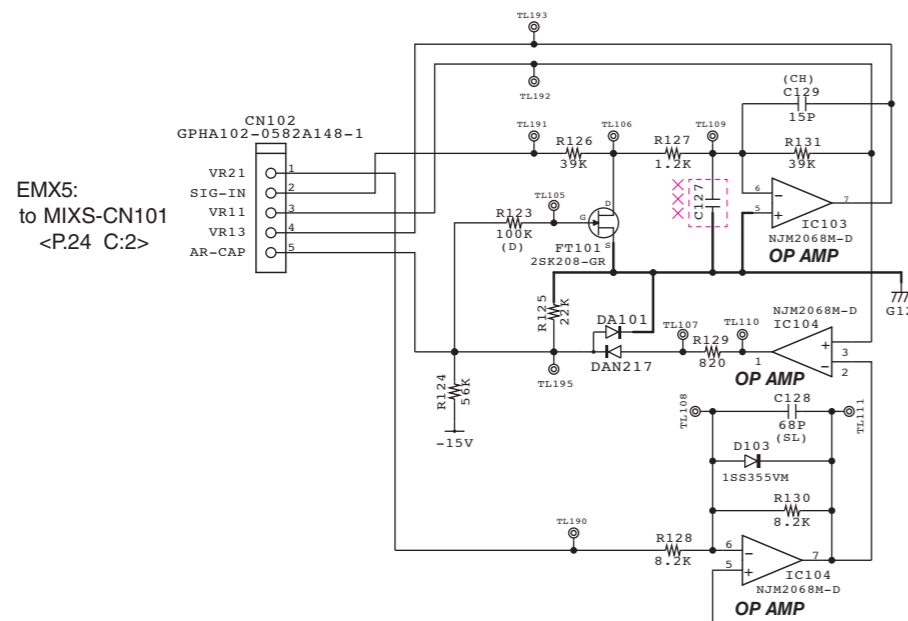
安全上の注意
印の部品は、安全を維持するために重要な部品です。交換する場合は、安全のため必ず指定の部品をご使用ください。

×××: Not installed (未実装)

PS 002 CIRCUIT DIAGRAM (EMX7/EMX5)

■ SUB CIRCUIT DIAGRAM (EMX5)

EMX7/EMX5

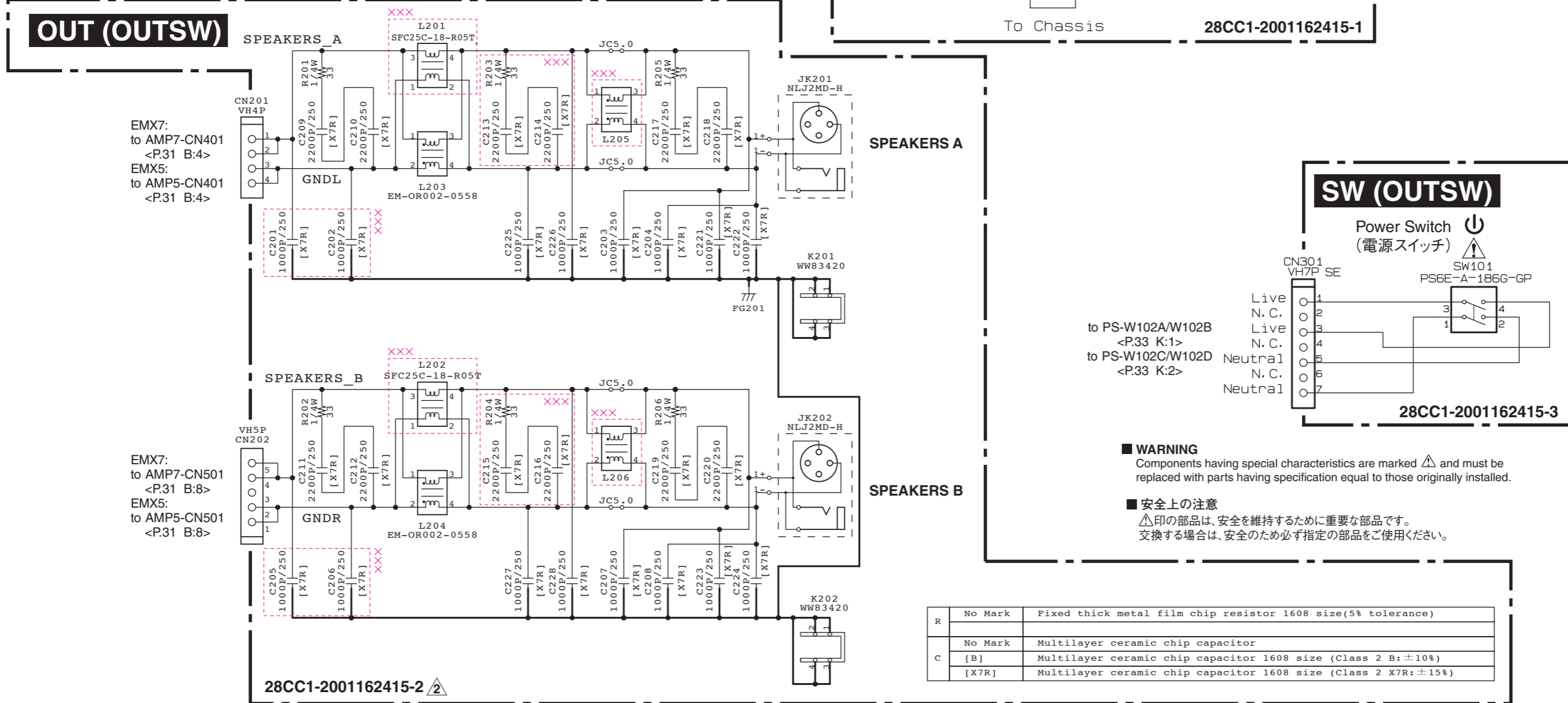
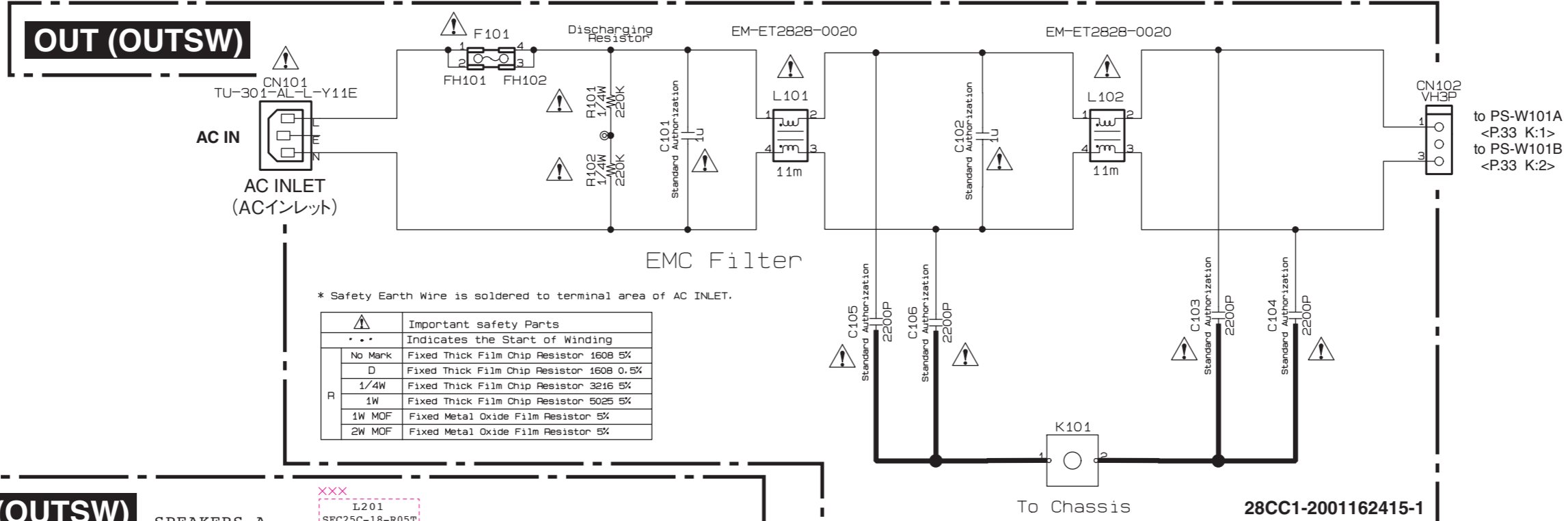


Notel:

R	No Mark	Fixed thick metal film chip resistor 1608 size(5% tolerance)
	(D)	Fixed thick metal film chip resistor 1608 size(0.5% tolerance)
C	No Mark	Multilayer ceramic chip capacitor

OUTSW (OUT, SW) CIRCUIT DIAGRAM (EMX7/EMX5)

EMX7/EMX5



WARNING
Components having special characteristics are marked △ and must be replaced with parts having specification equal to those originally installed.

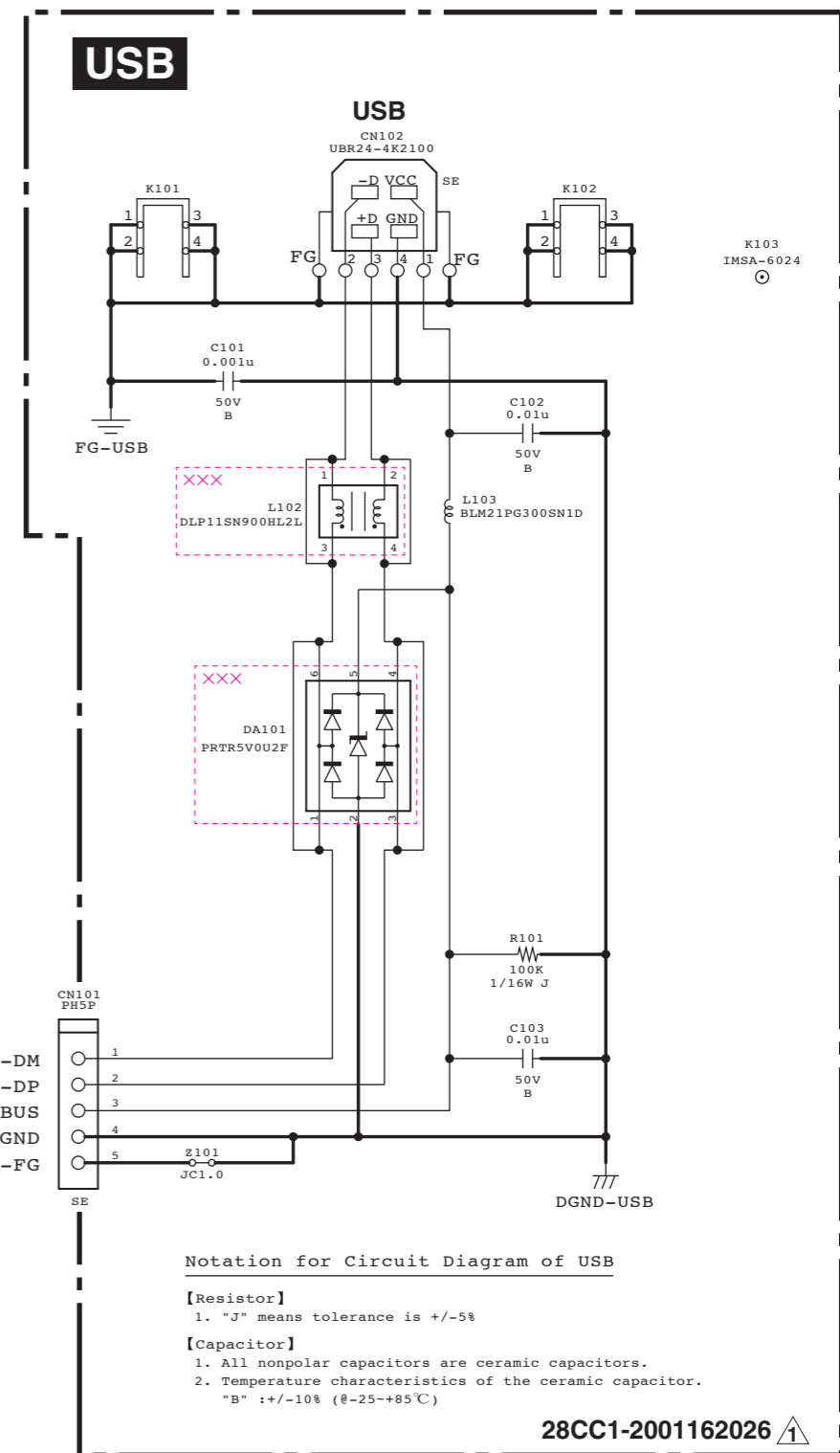
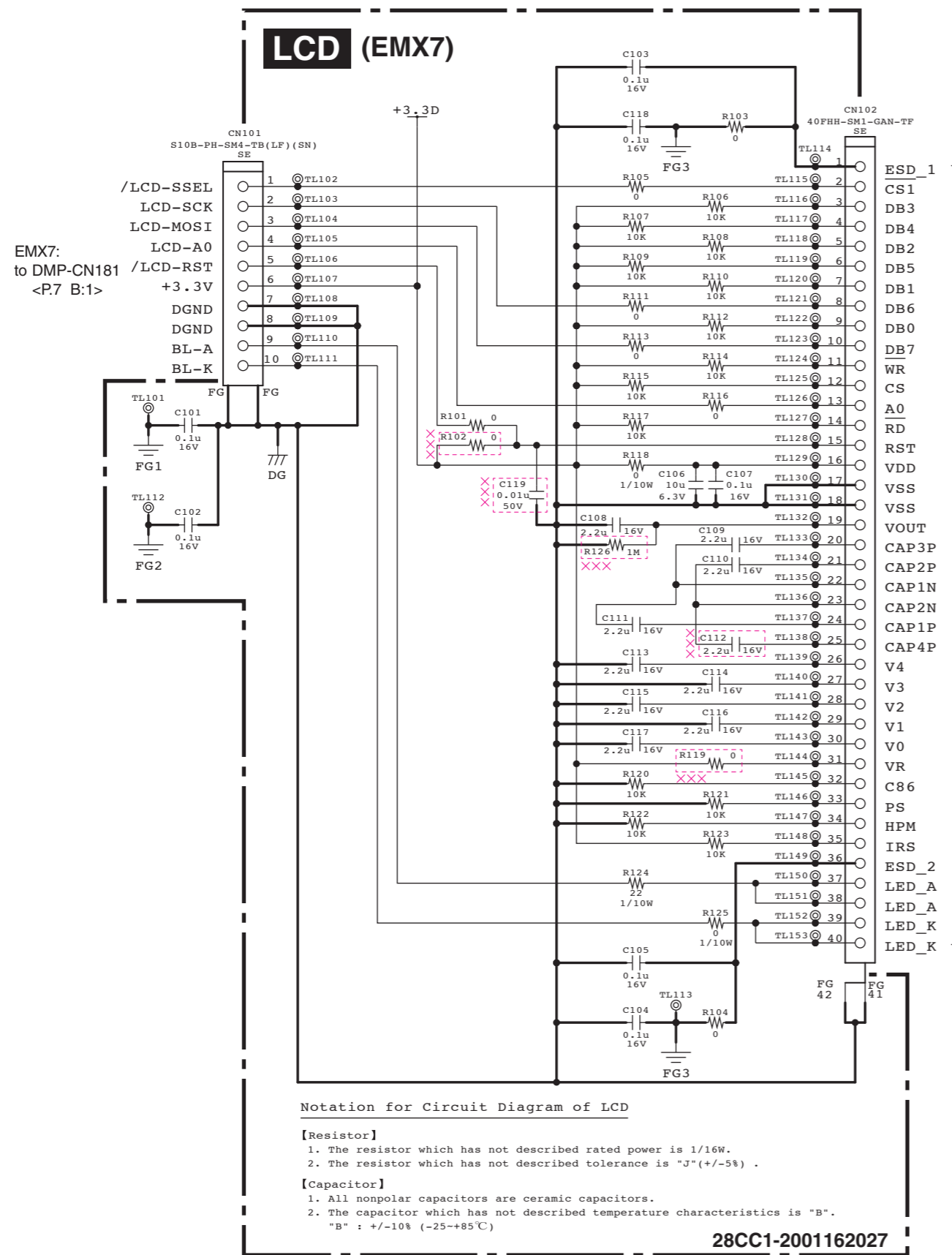
安全上の注意
△印の部品は、安全を維持するために重要な部品です。交換する場合は、安全のため必ず指定の部品をご使用ください。

×××: Not installed (未実装)

OUTSW (OUT, SW) CIRCUIT DIAGRAM (EMX7/EMX5)

LCD (EMX7), USB CIRCUIT DIAGRAM (EMX7/EMX5)

EMX7/EMX5



XXX: Not installed (未実装)

