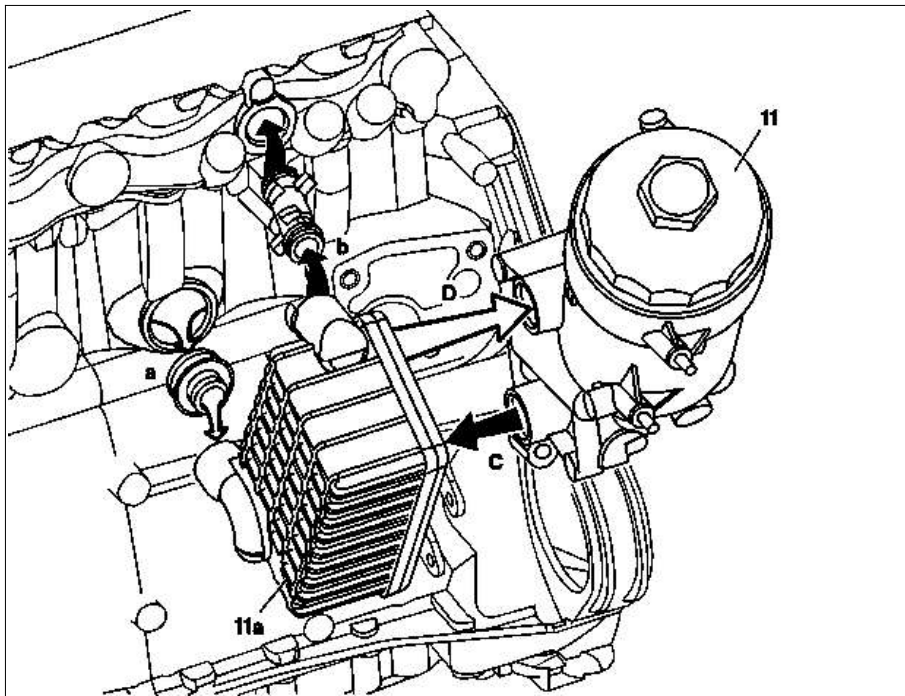


15.03.07

The document has been updated to this date and will no longer be subject to revision.

- a Coolant feed
- b Coolant return
- C Oil to oil pump
- D Oil to oil filter

- 11 Oil filter housing
- 11a Oil-water heat exchanger



P18.00-0215-06

	Position		GF18.00-P-1104-01A
	Function	<p>The oil-water heat exchanger (11a) contains a plate-type heat exchanger. Engine oil flows in the plate-type heat exchanger. The surrounding coolant heats the engine oil in the cold-starting phase and cools it at engine operating temperature.</p>	