

Parts to be installed.

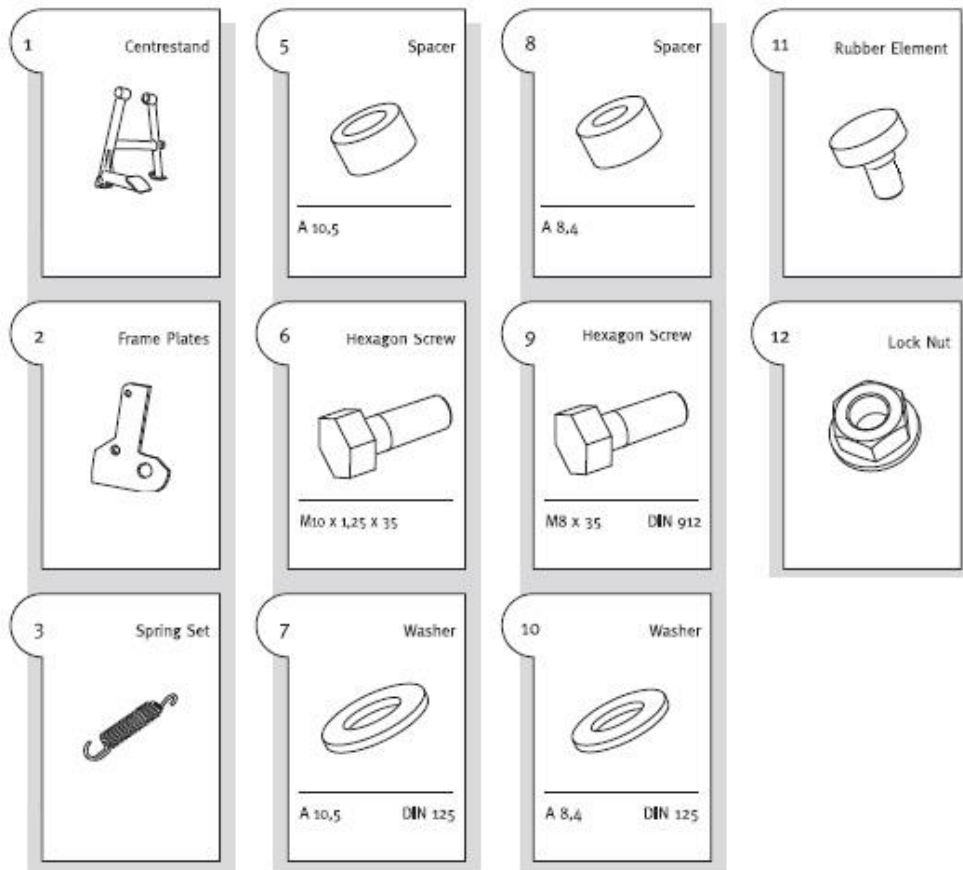
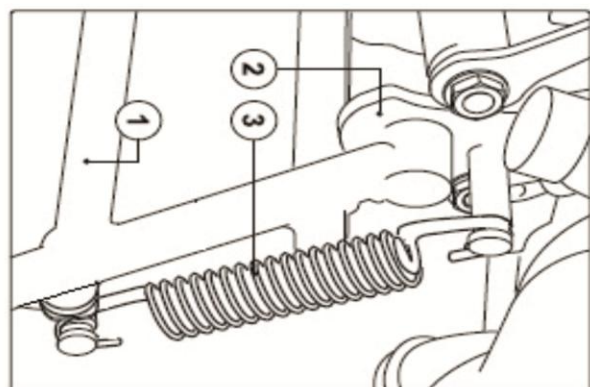
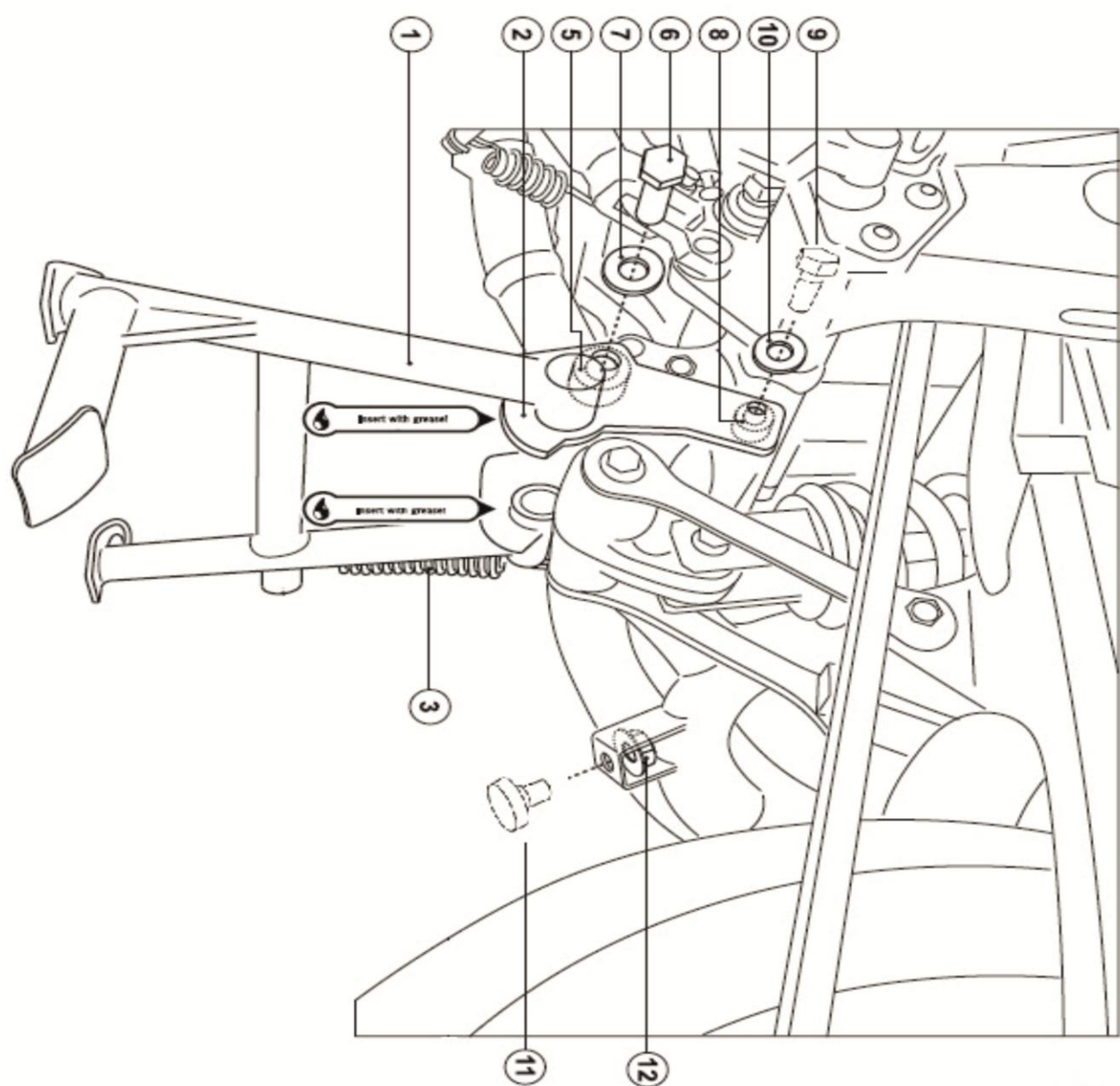


Photo 1



**i** Use liquid thread locker to secure the screws!

Photo 2

**Step 1:** Have the bike on the side stand.

**Step 2:** Place part 2 to the left side of the bike (use the one without the extension for the spring). Use bolts 5 and 9 with the washers 7 and 10 and also the spacers 5 and 8 to mount and fix it on the bike as photo 2 shows. It is recommended to use liquid thread locker.

**Step 3:** Place the centerstand on the part you just installed.

**Step 4:** Fit the second part 2 (the one with the extension for the spring) on the centerstand and fix it on the right side of the bike. Use bolts 5 and 9 with the washers 7 and 10 and also the spacers 5 and 8 to mount and fix it on the bike as photo 2 shows. It is recommended to use liquid thread locker.

**Step 5:** Fix the rubber matter part 11 on the exhaust using part 12 as the photo 2 recommends. It is recommended to use liquid thread locker.

**Step 6:** Have the one end of the spring (part 3) passed through the hole of the side spring extension located on the centerstand. Using a flat screwdriver place the other side of the spring on the spring extension of the part2. It is recommended to have the centerstand horizontal while placing the spring.



**Photo 3**