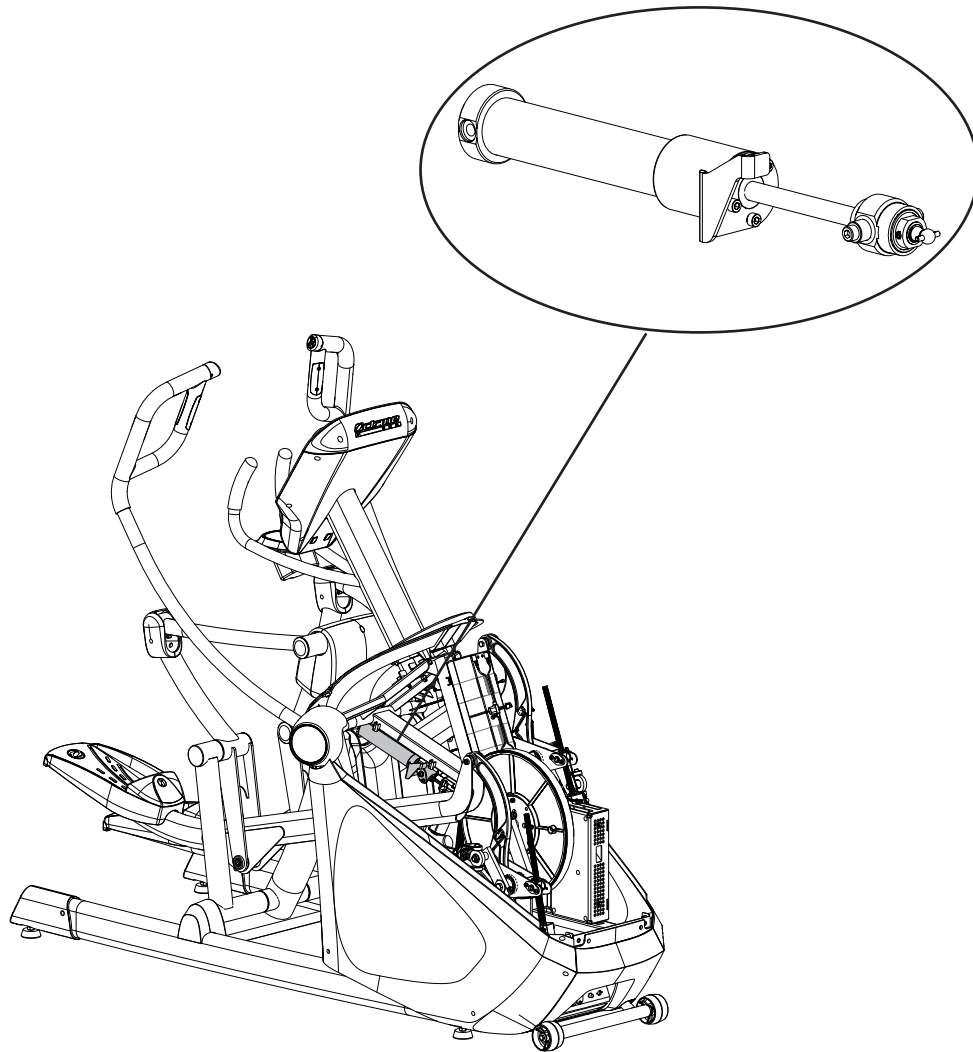


# XT-ONE

## HOW TO REPLACE THE INCLINE SYSTEM

### SERVICE KIT INSTRUCTIONS



**ABOUT THIS PROCEDURE**

**TIME TO COMPLETE:**



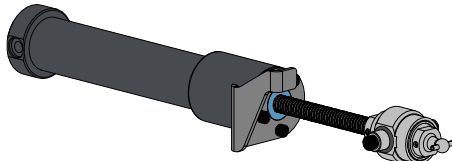
≈ 30 minutes

**LEVEL OF DIFFICULTY:**



Instructional video available:  
<https://vimeo.com/octanefitness>

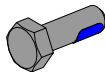
**SERVICE KIT CONTENTS (P/N 113200-001)**



**P/N 112892-001**  
ASSY, INCLINE TUBE AND SCREW  
QTY 1



**P/N 112893-001**  
INSTRUCTIONS, REPLACE INCLINE SYSTEM  
QTY 1



**P/N 109989-001**  
BOLT, M8 X 1.25 X 25, HEX  
HEAD, GR 8.8  
QTY 2



**P/N 105158-001**  
WASHER, 8.5 X 24 X 4 CZ  
QTY 2



**P/N 101298-001**  
SCREW, M5 X 0.8 X 10.0L  
SHCS, BLACK ZINC  
QTY 4

**P/N 101565-001**  
BUSHING, NUT, SHAFT  
ACTUATOR  
QTY 2



**P/N 110742-001**  
O-RING, 14 X 19 X 2.5  
QTY 2



**P/N 110741-001**  
SPACER, ACTUATOR PIVOT  
QTY 2



**P/N 101298-001**  
SCREW, M5 X 0.8 X 10.0L  
SHCS, BLACK ZINC  
QTY 4



**P/N 101565-001**  
BUSHING, NUT, SHAFT  
ACTUATOR  
QTY 2



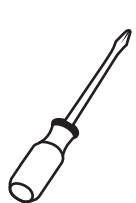
**P/N 112438-001**  
LABEL, DO NOT GREASE INCLINE LEAD SCREW  
QTY 2



**P/N 107023-001**  
TIE, CABLE, W3.6 X L370  
QTY 2

**P/N 112439-001**  
HARDWARE KIT, INCLINE SYSTEM  
QTY 1

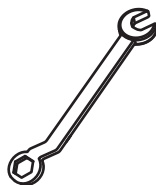
**TOOLS NEEDED**



#2 Phillips  
screwdriver



4mm hex  
wrench



13mm  
wrench



clean  
cloth



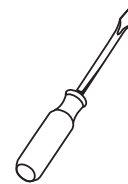
mobil  
lithium  
grease



small  
brush



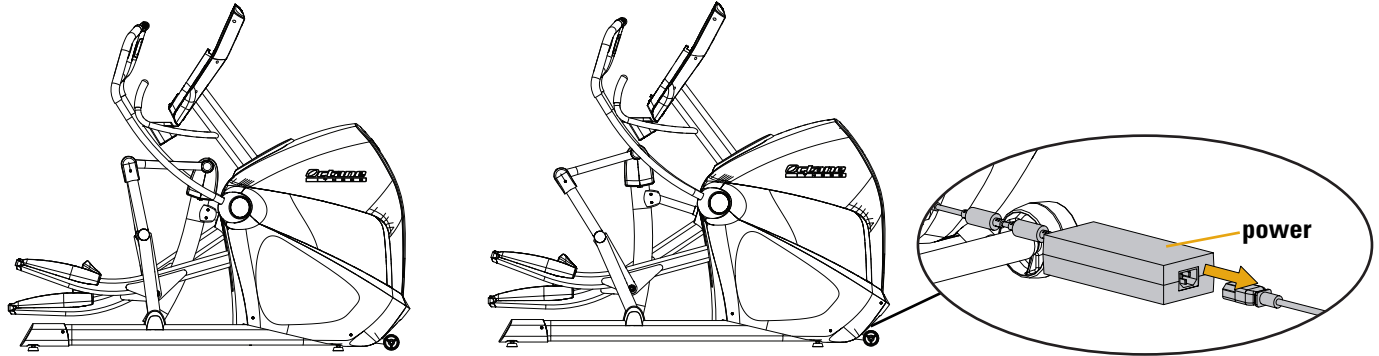
wire  
cutters



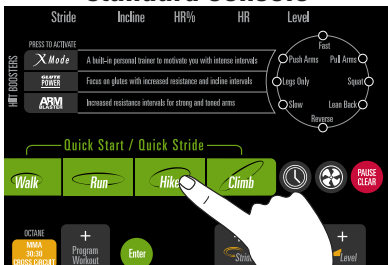
flat head  
screwdriver  
(optional)

**STEPS**


1. To access the incline column and tube, press **Quick Start Hike**.



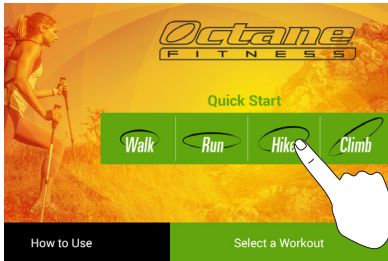
**standard console**



**NOTE:** For standard consoles you need to pedal the machine. Once the incline is at 5 you can stop pedaling.

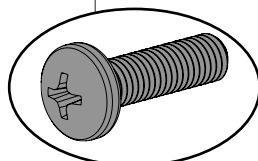
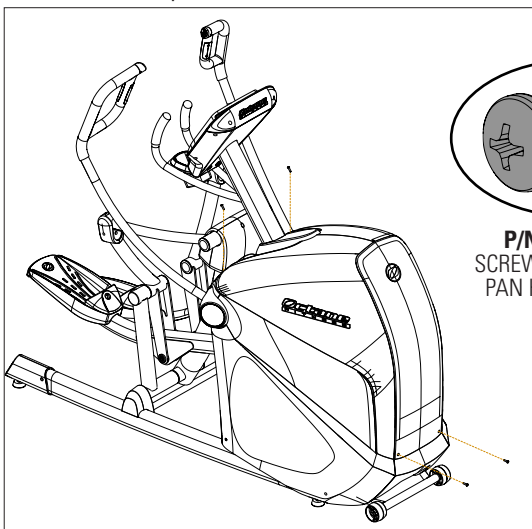
If you have an incline error 40, press and hold **PAUSE CLEAR**  for three seconds to clear the error. Once the error is clear, start pedaling and press **Quick Start Hike**. You may have to repeat this procedure a few times if the error keeps returning.

**smart console**

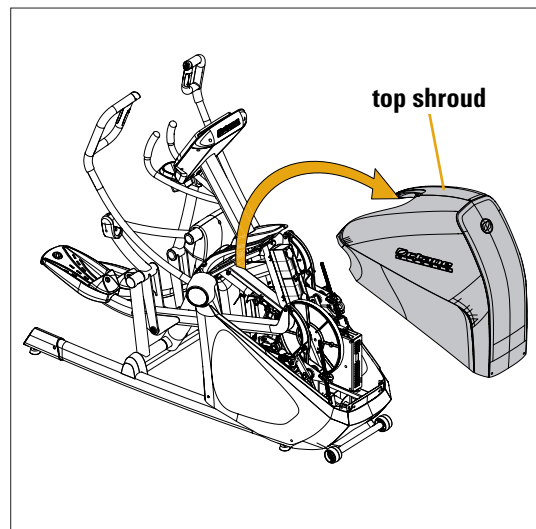


**NOTE:** For smart consoles, once the incline is at 5 you need to disconnect the power. Disconnecting the power shuts down the console and keeps the incline set at 5.

2. Remove the top shroud.

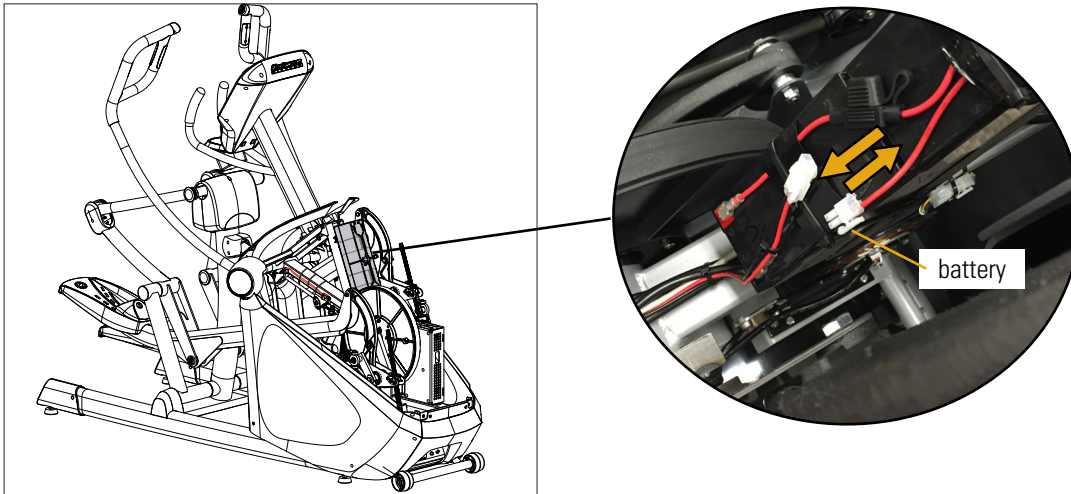


**P/N 102134-001**  
SCREW, M5 X 0.8 X 18,  
PAN HEAD, TYPE 1 C  
**QTY 4**

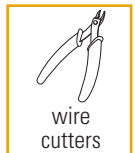
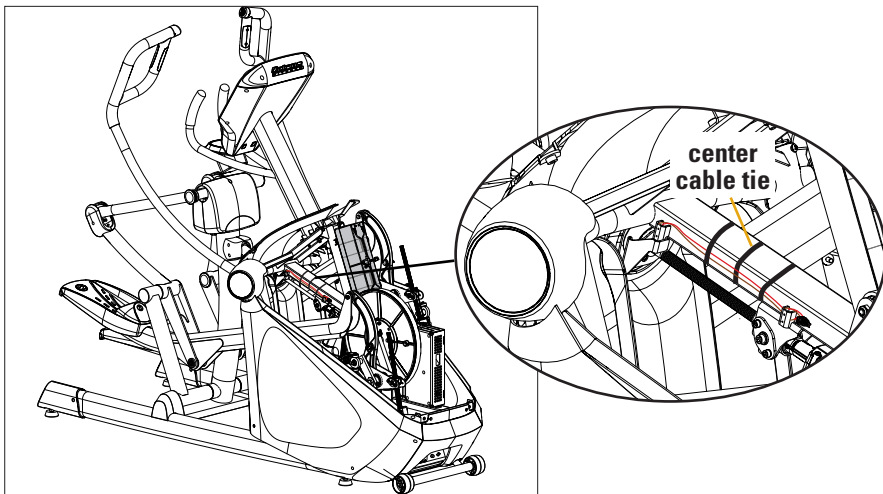


**STEPS CONTINUED...**

3. Disconnect the battery.



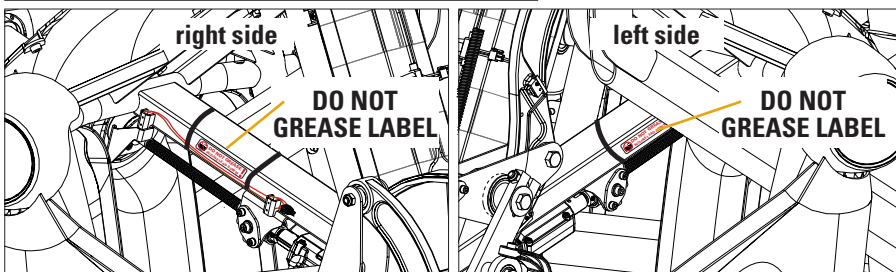
4. If center cable tie is present, snip cable tie and apply DO NOT GREASE labels to both sides of the frame as shown. If needed, use cable ties provided with this kit to secure any loose cables.



**DO NOT GREASE!**  
INCLINE LEAD SCREW

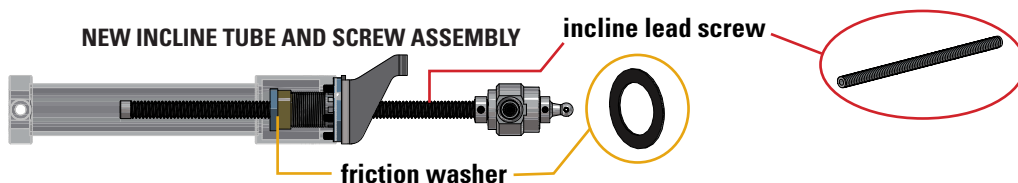
**P/N 112438-001**  
LABEL, DO NOT GREASE  
INCLINE LEAD SCREW  
QTY 2

**P/N 107023-001**  
TIE, CABLE, W3.6 X L370  
QTY 2



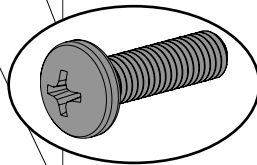
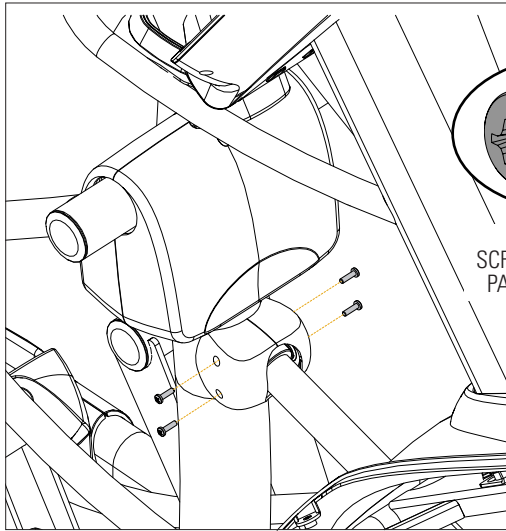
**IMPORTANT!**

**DO NOT GREASE THE INCLINE LEAD SCREW.** THE NEW ASSEMBLY CONTAINS A FRICTION WASHER THAT MUST STAY CLEAN AND DRY. IF THE FRICTION WASHER GETS GREASY, IT COULD COME LOOSE AND JAM THE MECHANISM.

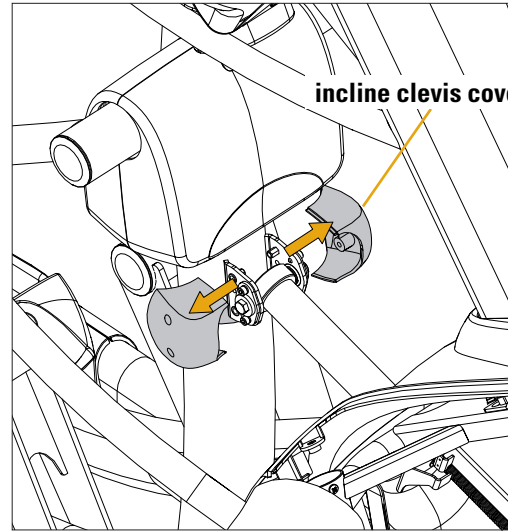


**STEPS CONTINUED...**

5. Remove the incline clevis covers.



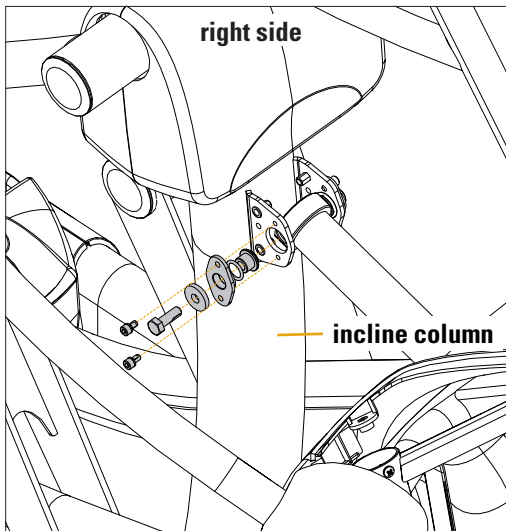
**P/N 102134-001**  
SCREW, M5 X 0.8 X 18,  
PAN HEAD, TYPE 1 C  
**QTY 4**



incline clevis covers

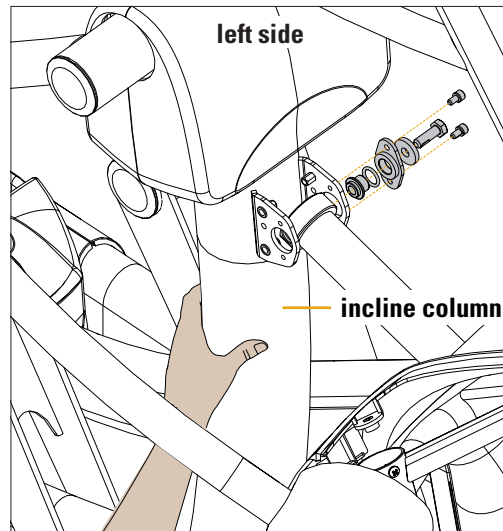


6. Remove and discard the incline tube column hardware: right side followed by left side, and then gently rest the incline column on the pedal.



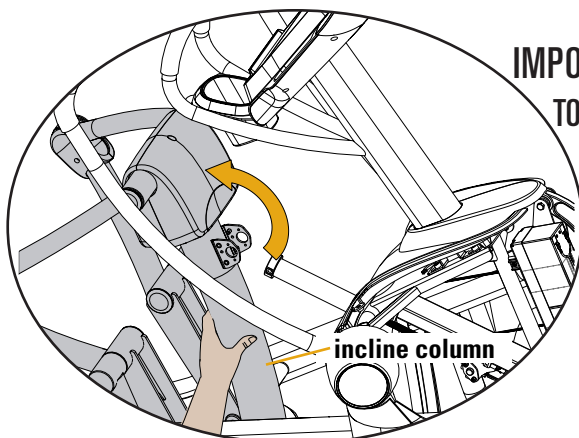
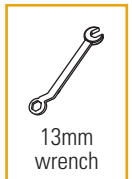
right side

incline column



left side

incline column

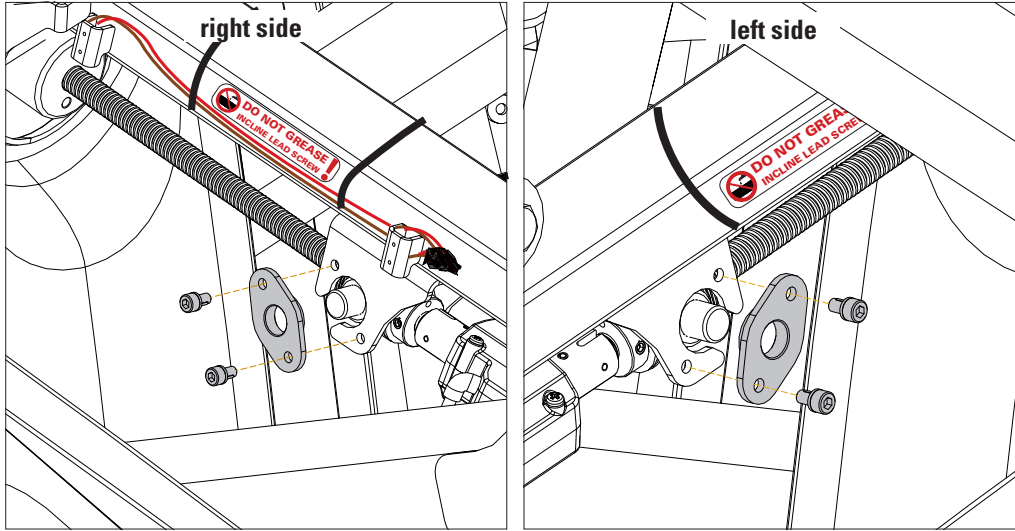


**IMPORTANT!**

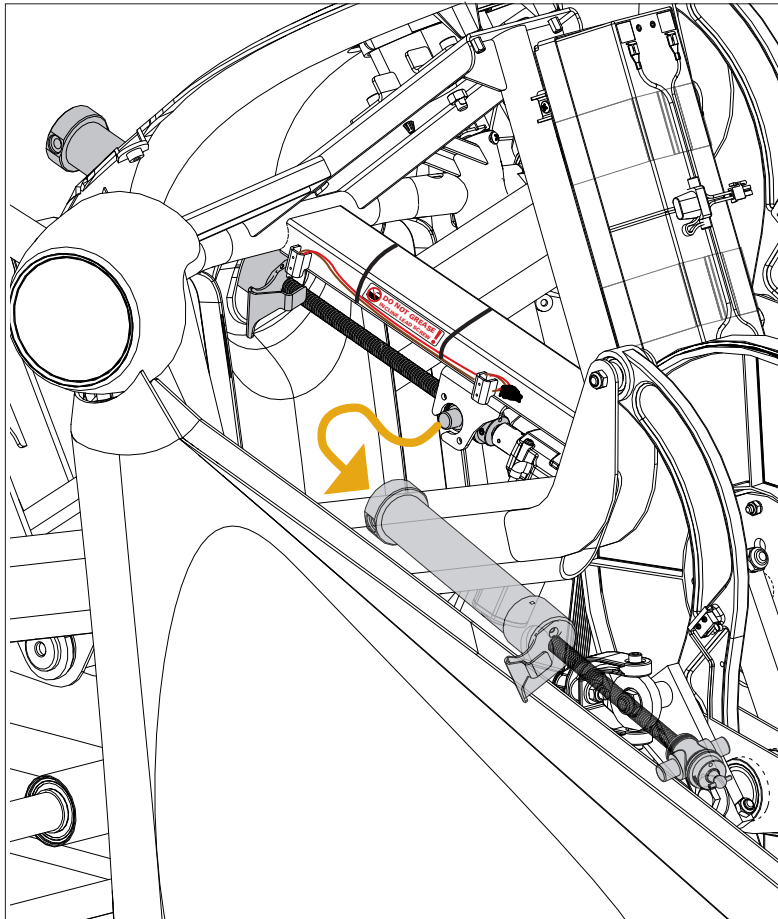
**TO PREVENT THE INCLINE COLUMN FROM FALLING BACK AND DAMAGING THE MACHINE; HOLD THE COLUMN SECURELY AS YOU REMOVE THE LEFT SIDE HARDWARE.**

**STEPS CONTINUED...**

7. Remove and discard incline screw frame hardware.

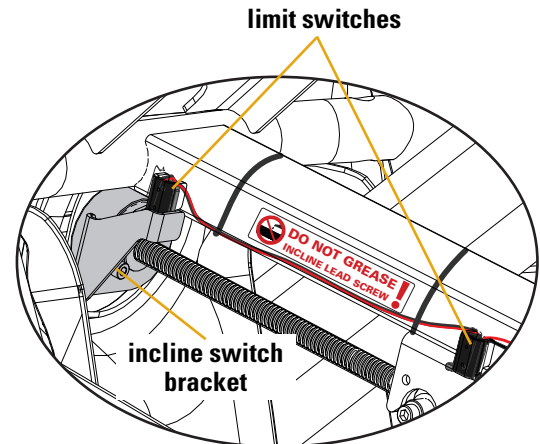
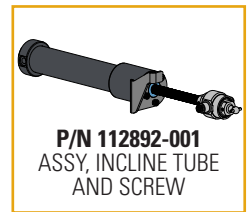
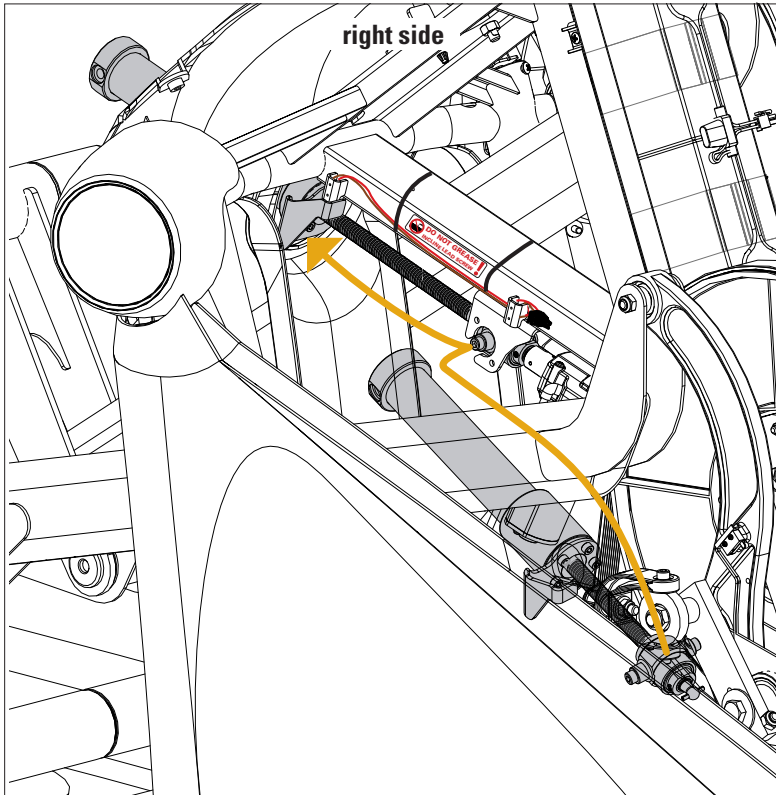


8. Remove and discard faulty incline extension tube and screw assembly.



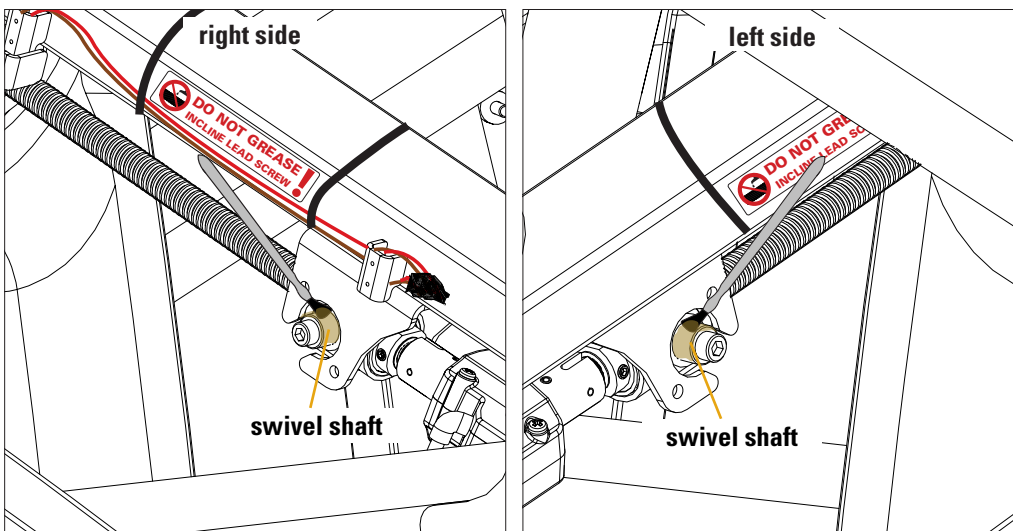
STEPS CONTINUED...

9. Install new incline extension tube and screw assembly. Verify incline switch bracket is on the right side as shown.



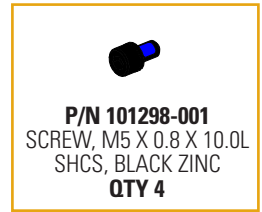
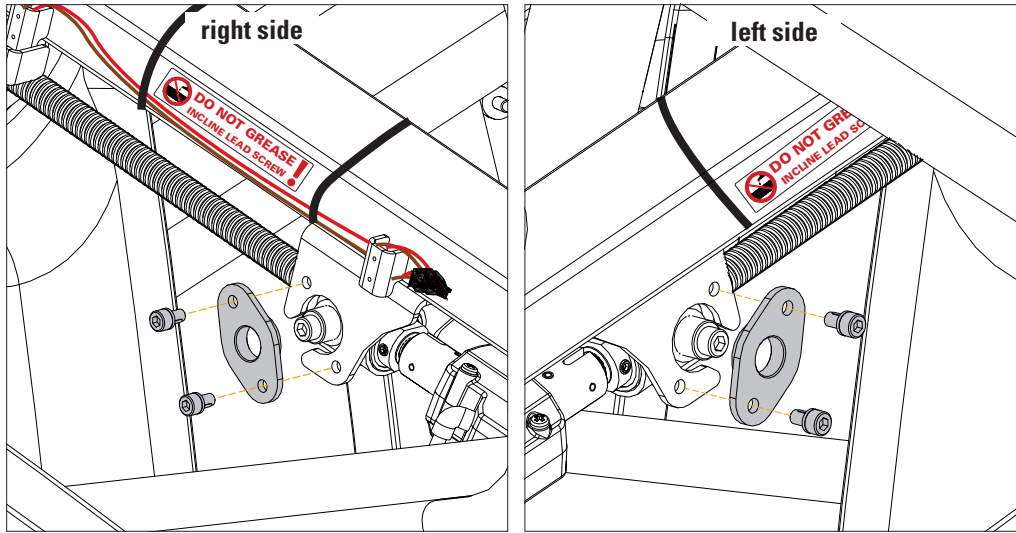
**IMPORTANT!**  
THE INCLINE SWITCH BRACKET NEEDS TO BE  
POSITIONED BETWEEN BOTH LIMIT SWITCHES  
ON THE RIGHT SIDE OF THE MACHINE.

10. Grease swivel shafts on both sides of the incline extension tube assembly as shown.

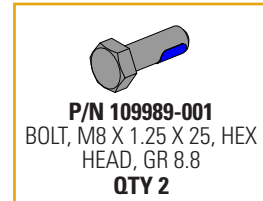
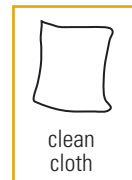
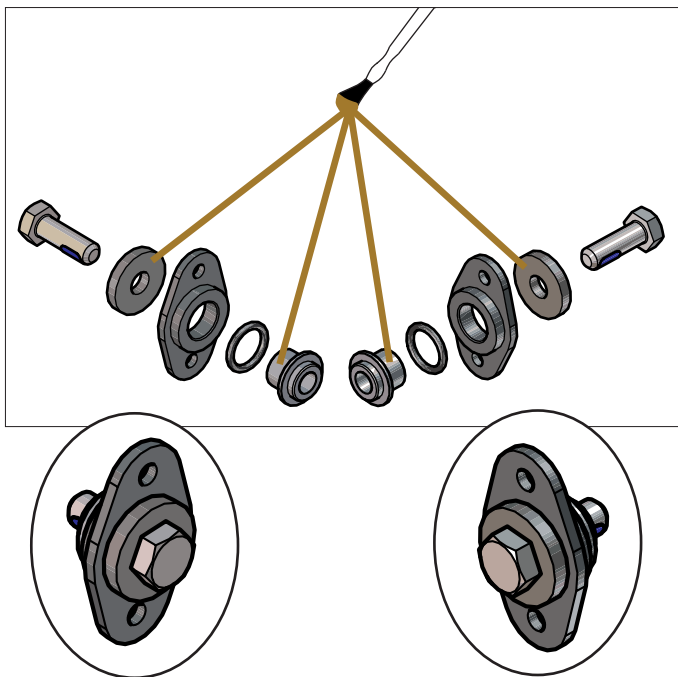


**STEPS CONTINUED...**

11. Fasten the incline extension tube and screw to the frame using the frame hardware provided with this kit.



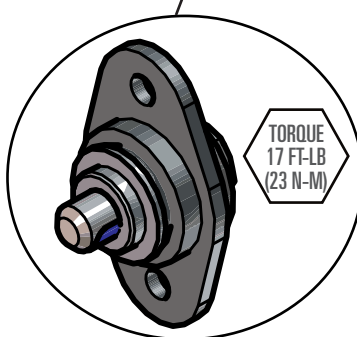
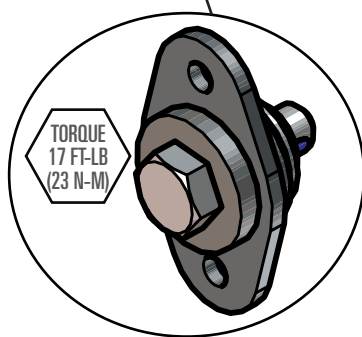
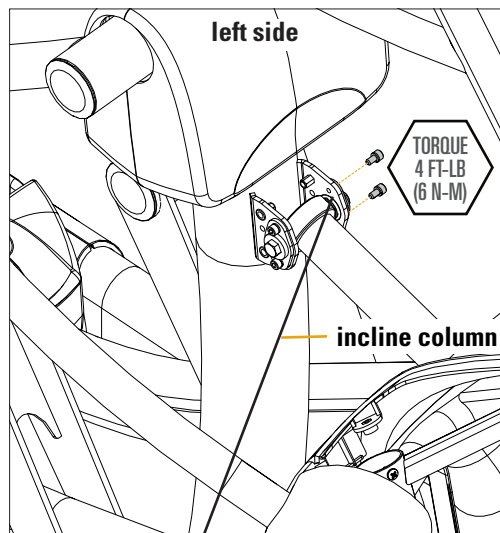
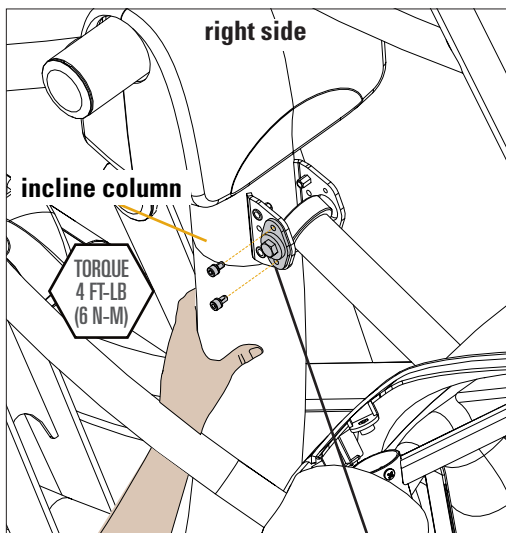
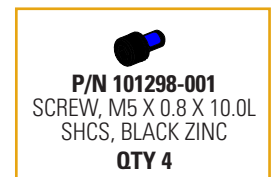
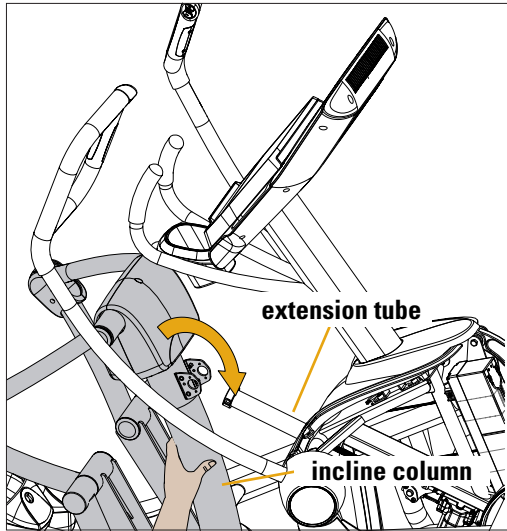
12. Grease the pivot spacers and washers and assemble the hardware as shown.





**STEPS CONTINUED...**

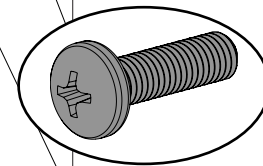
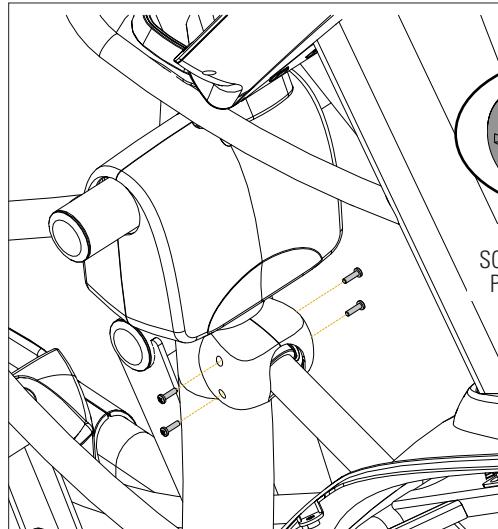
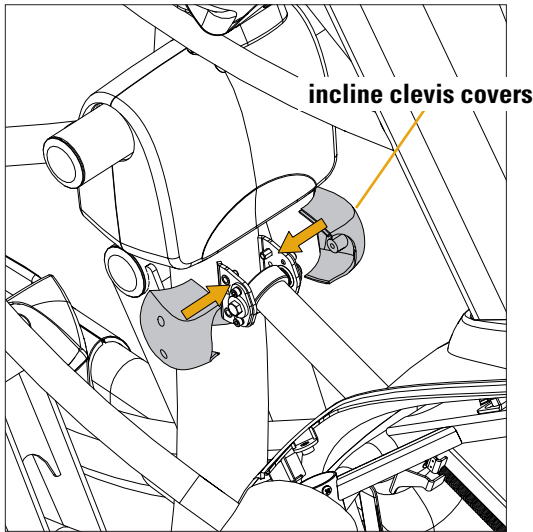
13. Align the incline column with the extension tube and attach the hardware as shown.



assembled hardware from step 12

**STEPS CONTINUED...**

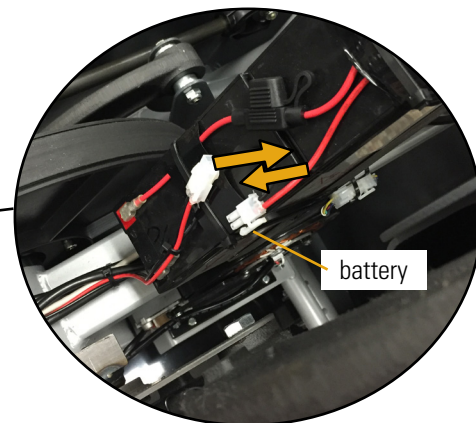
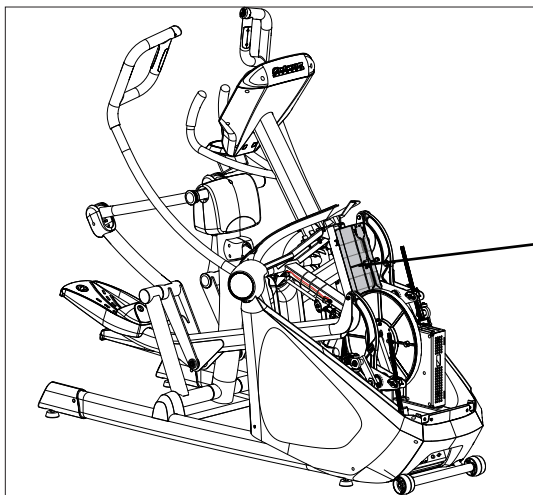
14. Reattach the incline clevis covers.



**P/N 102134-001**  
SCREW, M5 X 0.8 X 18,  
PAN HEAD, TYPE 1 C  
QTY 4



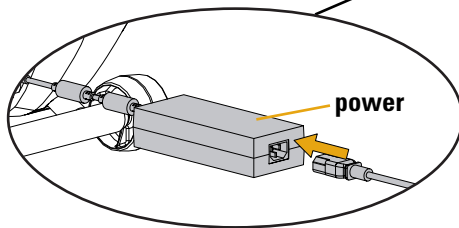
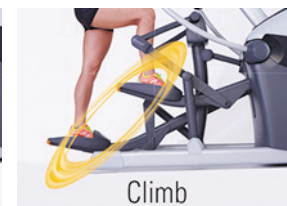
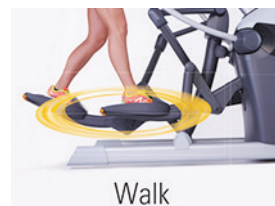
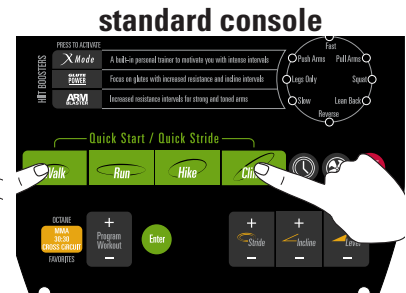
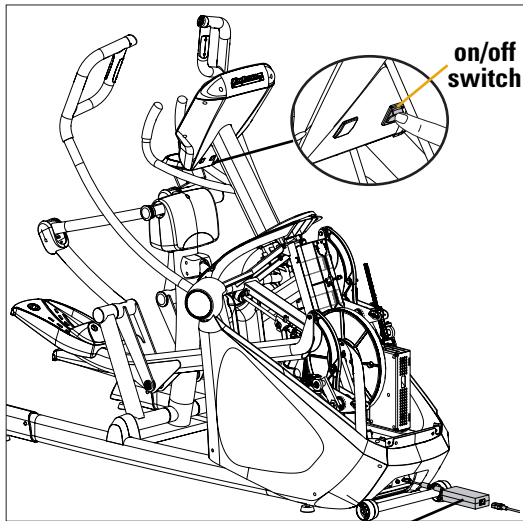
15. Reconnect the battery.



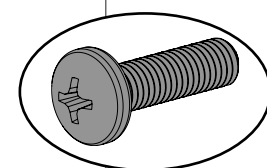
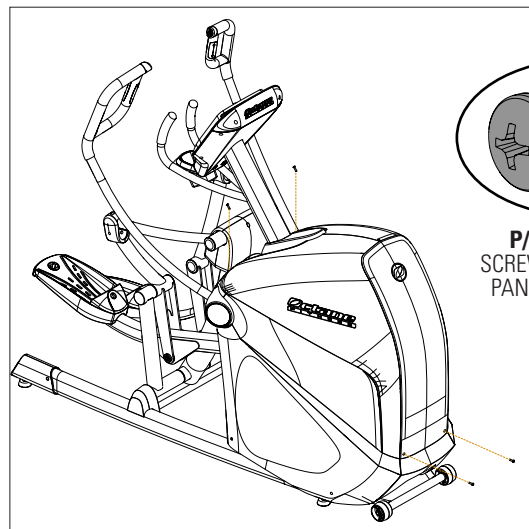
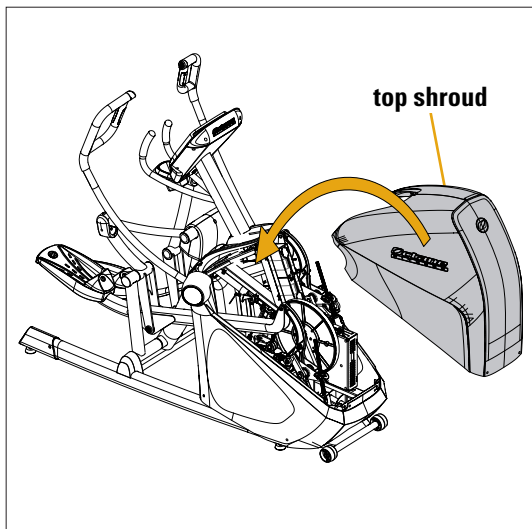
**STEPS CONTINUED...**

16. For **smart consoles**: reconnect the power. If the console has a power switch on the back of the console, press the power on/off switch. If the console does not have a power switch, the console powers on automatically. When the console boots up, press **Quick Start Walk**, wait for the incline to adjust down to 1 and then press **Quick Start Climb**. Verify the incline is smoothly adjusting and the machine is operating as intended.

For **standard consoles**: pedal the machine and then press **Quick Start Walk**, wait for the incline to adjust down to 1 and then press **Quick Start Climb**. Verify the incline is smoothly adjusting and the machine is operating as intended.



17. Reattach the top shroud.



**P/N 102134-001**  
SCREW, M5 X 0.8 X 18,  
PAN HEAD, TYPE 1 C  
**QTY 4**

# Questions? Contact Octane Fitness Service and Support

## USA/CANADA

1-888-975-1376

customerservice@octanefitness.com

Octane Fitness Headquarters  
7601 Northland Drive North, Suite 100  
Brooklyn Park, MN 55428

## LATIN AMERICA

001-763-757-2662

LAService@octanefitness.com

## ASIA PACIFIC

001-763-757-2662

APService@octanefitness.com

## Mark Brue | Customer Service Manager

+1 763-230-3023

mbrue@octanefitness.com



## EUROPE/MIDDLE EAST/AFRICA

31-10-2662412

EMEAService@octanefitness.com

Octane Fitness International Headquarters  
Rivium Westlaan 19  
2909 LD, Capelle a/d IJssel  
The Netherlands

## UNITED KINGDOM

0800 088 5540

UKService@octanefitness.com

Octane Fitness UK Ltd.  
Friary Court 1321  
High Street  
Guilford GU1 3DL  
United Kingdom

## Frank van Waveren | Service and Support Coordinator

+31 10 266 2412

fvanwaveren@octanefitness.com

