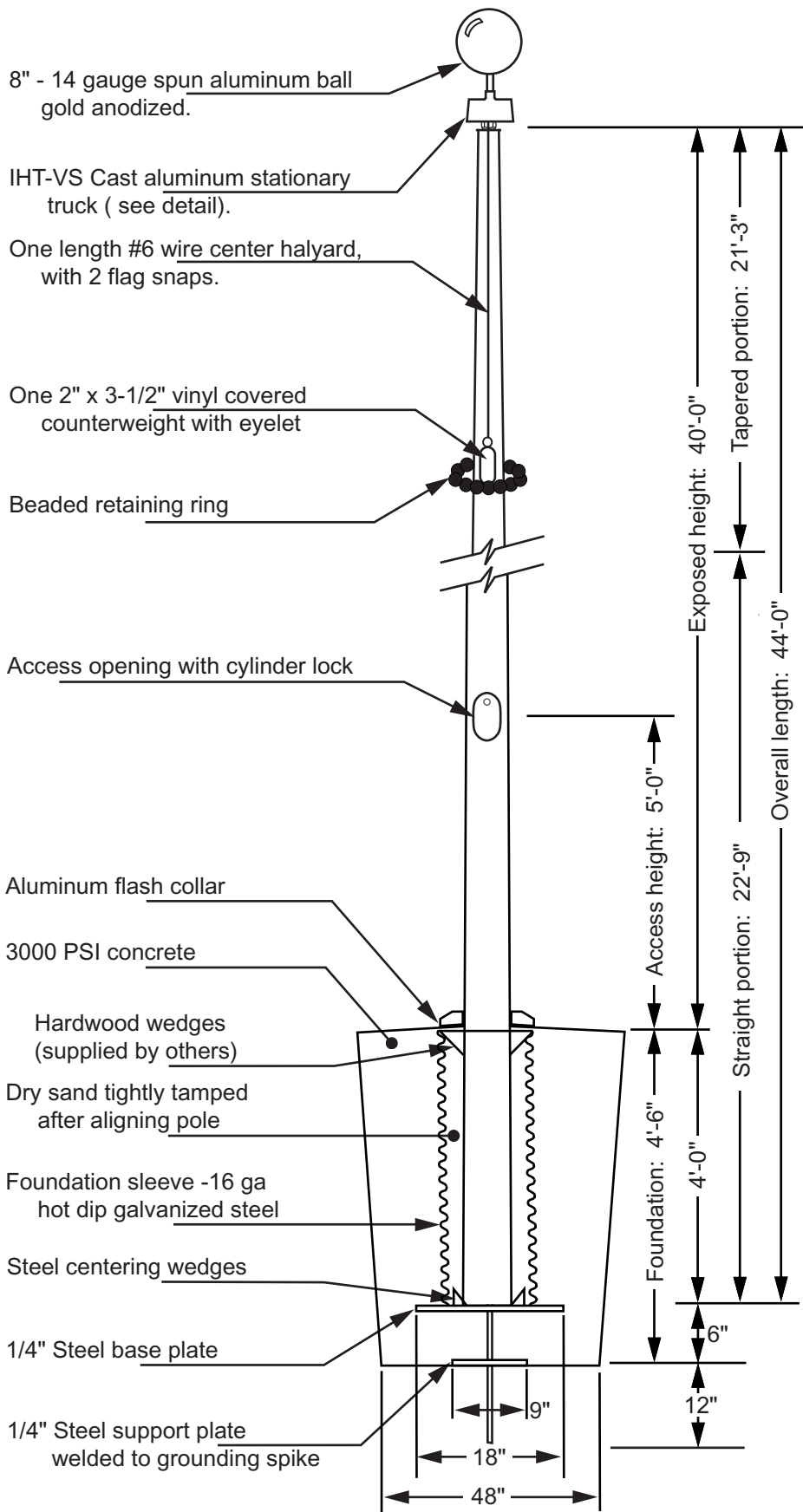
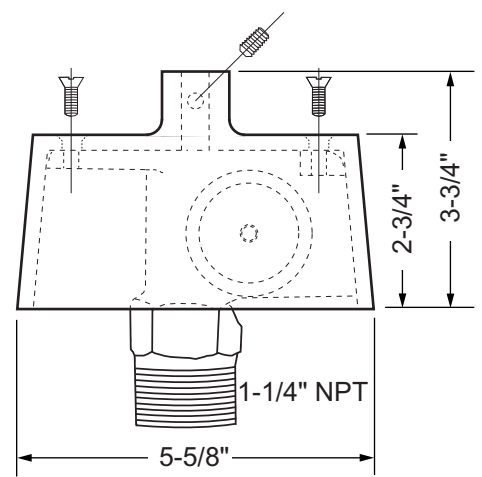


Model ECV40

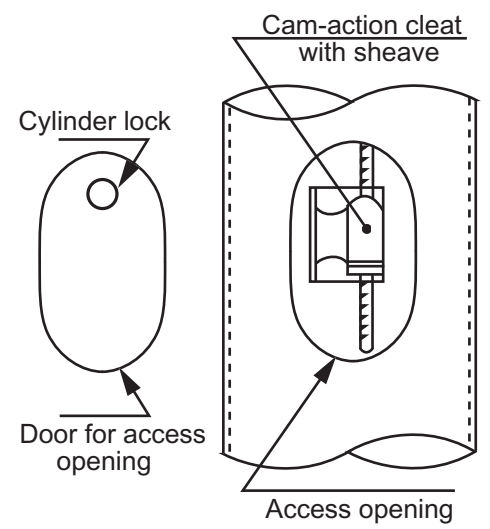


- 8" - 14 gauge spun aluminum ball gold anodized.
- IHT-VS Cast aluminum stationary truck (see detail).
- One length #6 wire center halyard, with 2 flag snaps.
- One 2" x 3-1/2" vinyl covered counterweight with eyelet
- Beaded retaining ring
- Access opening with cylinder lock
- Aluminum flash collar
- 3000 PSI concrete
- Hardwood wedges (supplied by others)
- Dry sand tightly tamped after aligning pole
- Foundation sleeve -16 ga hot dip galvanized steel
- Steel centering wedges
- 1/4" Steel base plate
- 1/4" Steel support plate welded to grounding spike

Exposed height: 40'-0"
 Tapered portion: 21'-3"
 Overall length: 44'-0"
 Access height: 5'-0"
 Straight portion: 22'-9"
 Foundation: 4'-6"
 4'-0"
 6"
 12"
 9"
 18"
 48"



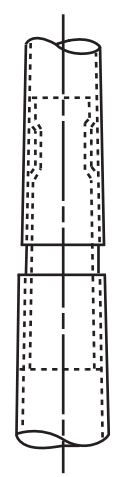
Truck Detail (IHT-VS)
 Cast aluminum construction
 Stationary truck
 2" outside diameter nylon sheave
 Top designed with 1/2" - 13NC to accept an ornament
 Stainless steel flathead screws for assembly



All shafts with overall length of more than 38'-6" are shipped in two sections.

Each section matched marked for field assembly. Exposed portion of jam sleeve must be **well lubricated** prior to assembly.

1-1/2" maximum shop gap allowed for field fitting (ram for tight joint)



Project:	Ground set tapered aluminum flagpole: ALLOY: 6063T6	FLAGS.COM	Date:
Location:	Exposed height: 40'-0" Overall height: 44'-0"	1-800-858-8776	Revision:
Architect:	Ship in 2 section Butt diameter: 8"	1395 NW 17th Ave #112B	
Contractor:	Top diameter: 3-1/2" Wall thickness: .188"	Delray Beach, FL 33445	
Customer:	Finish: 100 grit polish		Job: