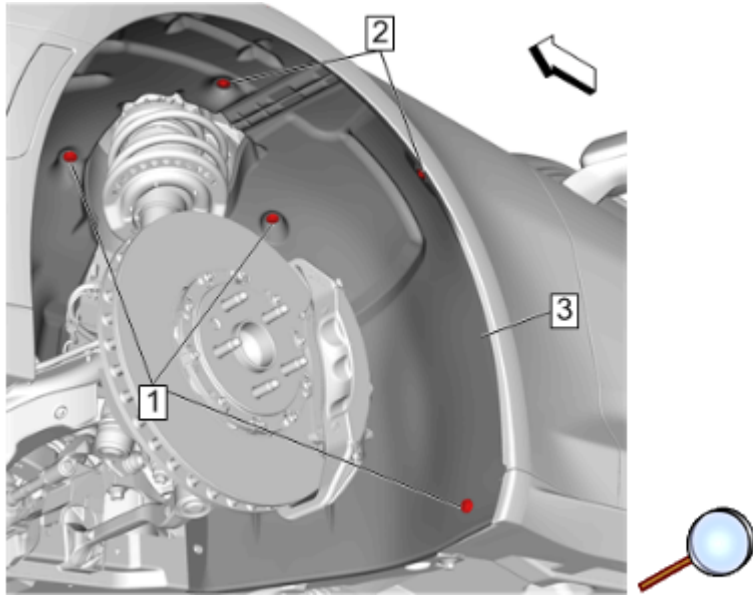
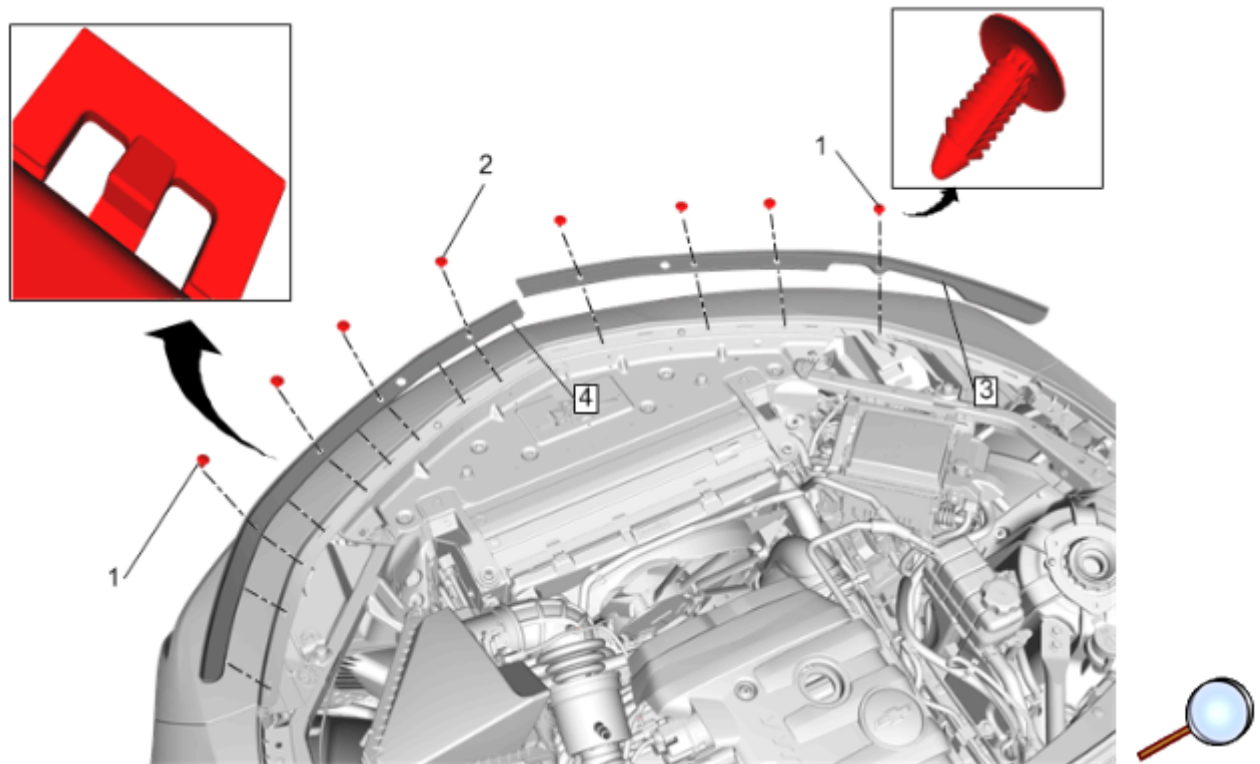


Front Bumper Fascia Replacement (SS)

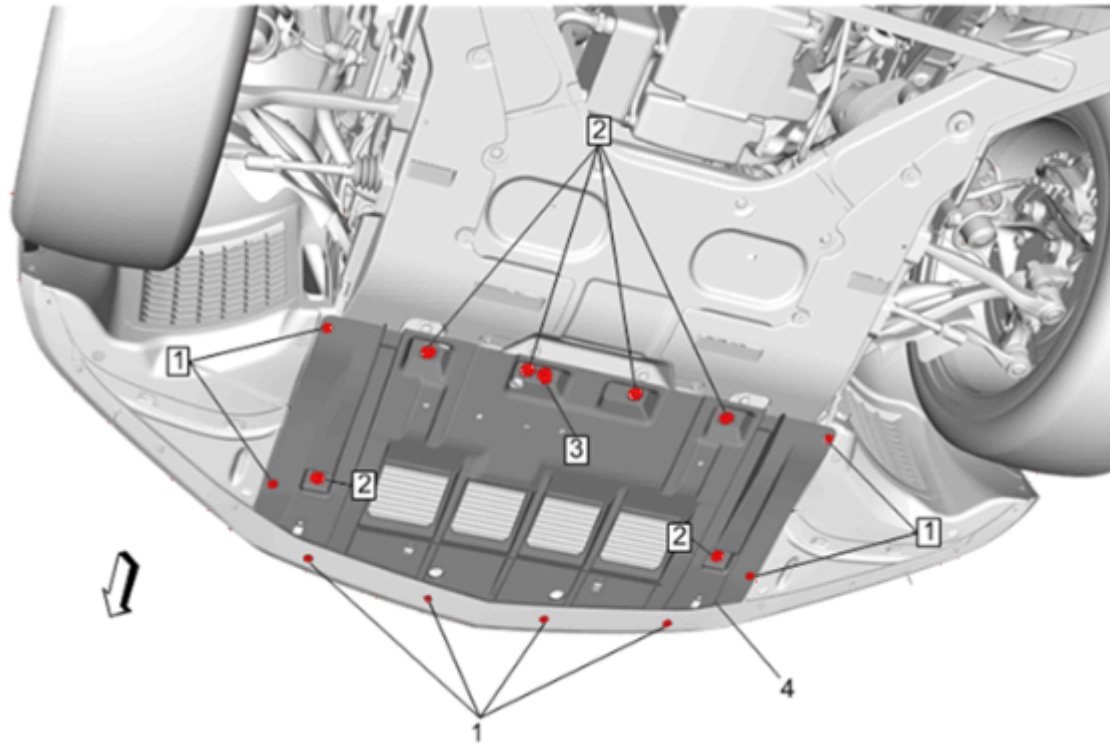
Removal Procedure



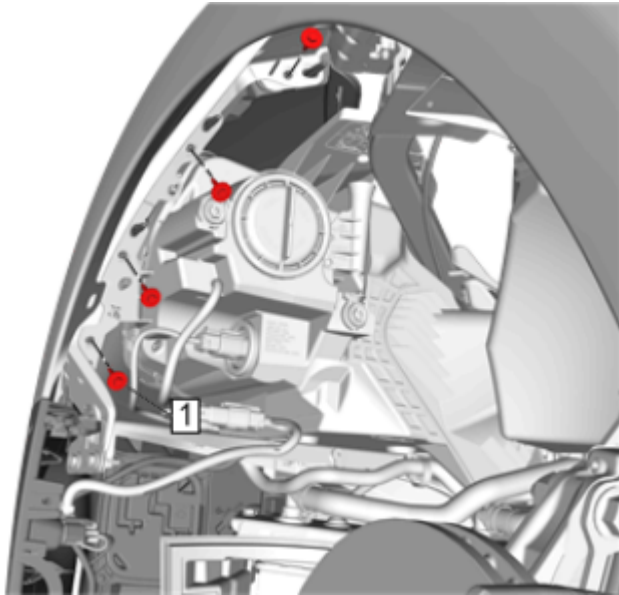
1. Remove both front wheelhouse liners (3). [Front Wheelhouse Liner Replacement](#)



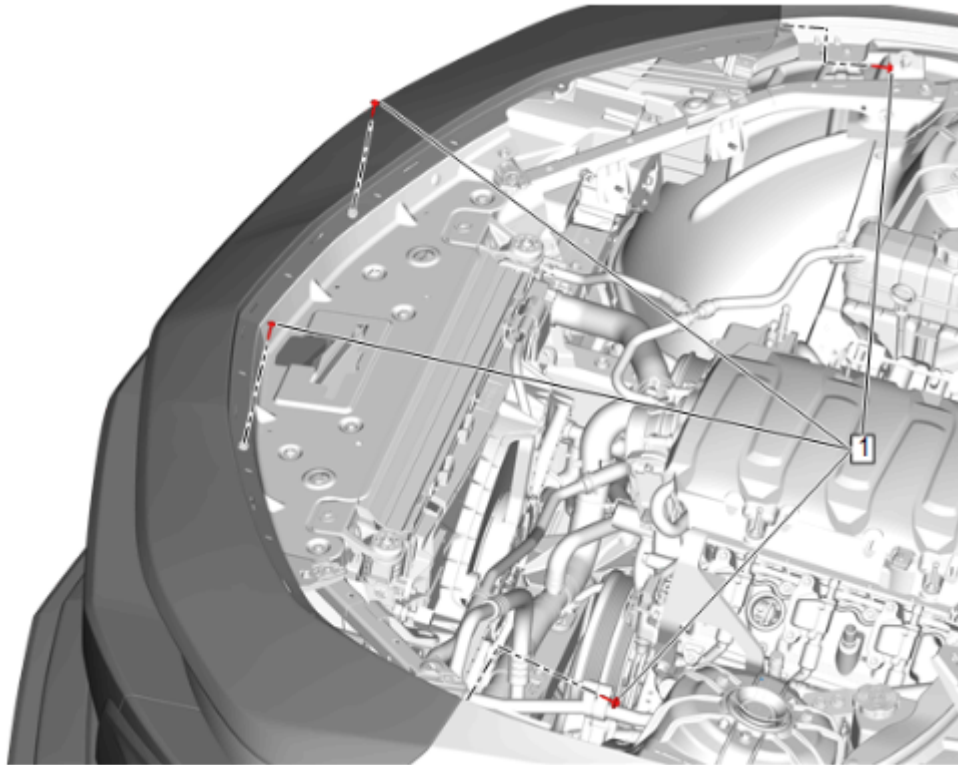
2. Remove the right and left front bumper fascia upper molding (3,4). [Front Bumper Fascia Upper Molding Replacement](#)



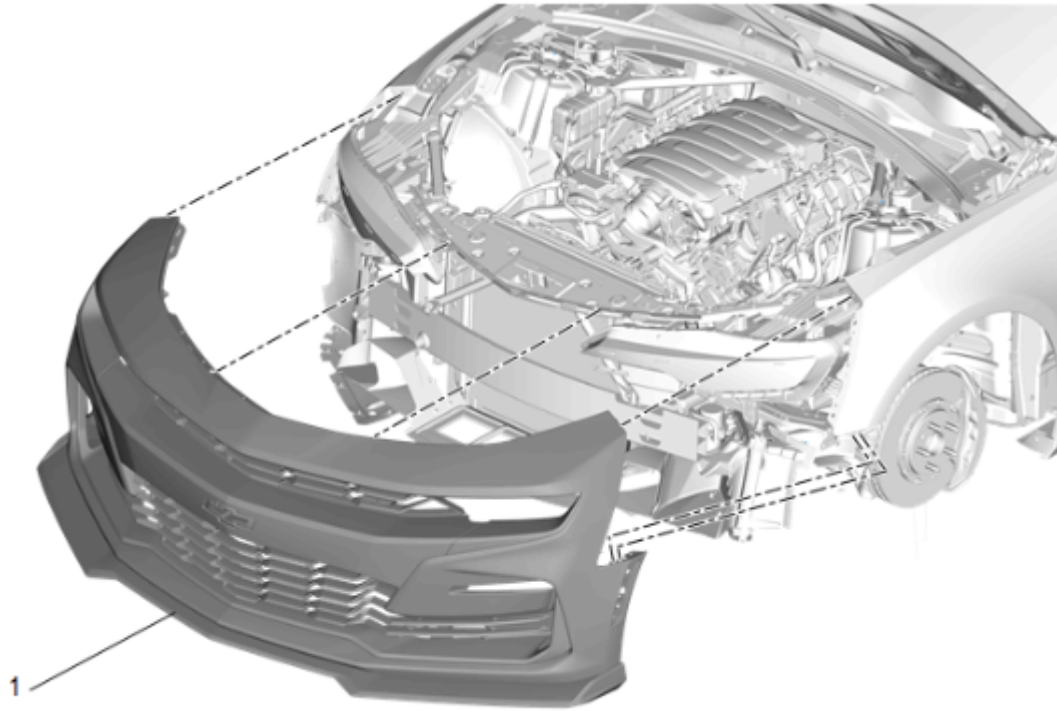
3. Front Bumper Fascia Lower Stiffener (4) » Remove — [Front Bumper Fascia Lower Stiffener Replacement](#)



4. Remove the 4 front bumper fascia outer bracket bolts (1) from both sides.

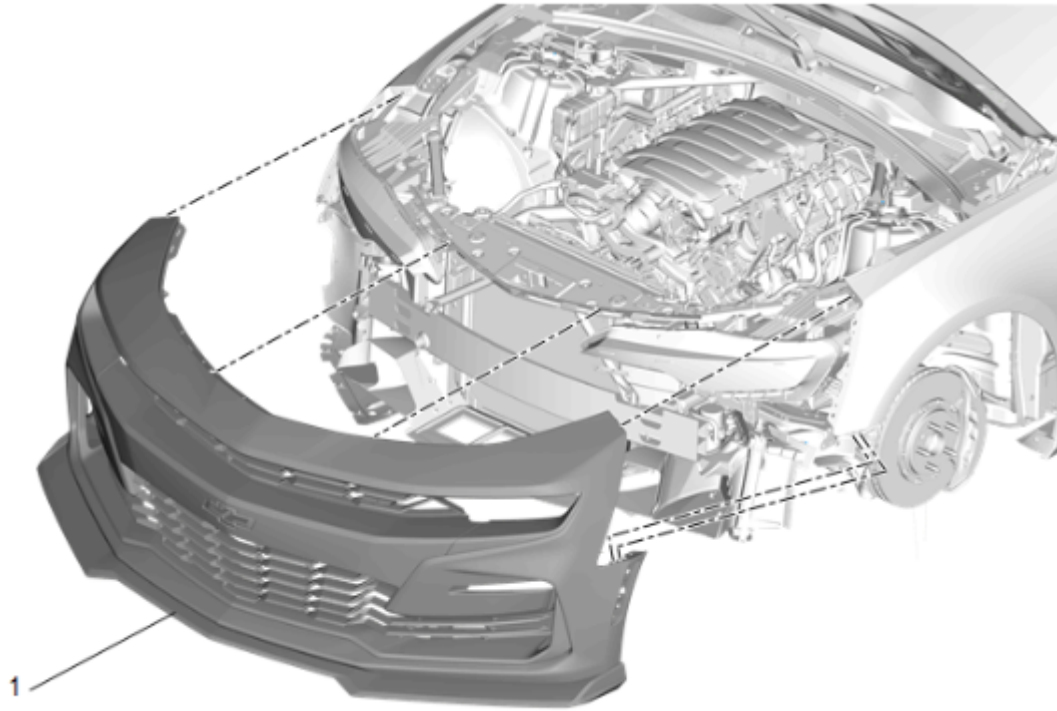


5. Front Bumper Fascia Upper Bolt (1) » Remove [4x]

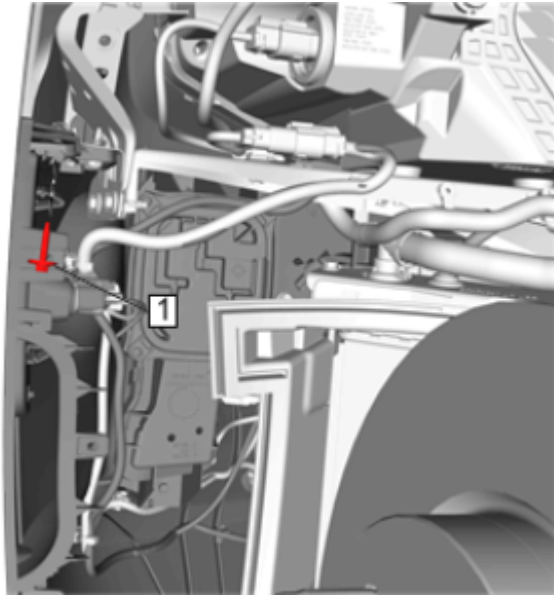


6. Carefully push a small nylon wedge between the fascia (1) and the fascia guide. Insert a small flat-bladed tool into the fascia slot and depress the snaps one at a time and pull on the fascia at the same time to gradually remove the fascia.
7. Disconnect all electrical connectors.

Installation Procedure

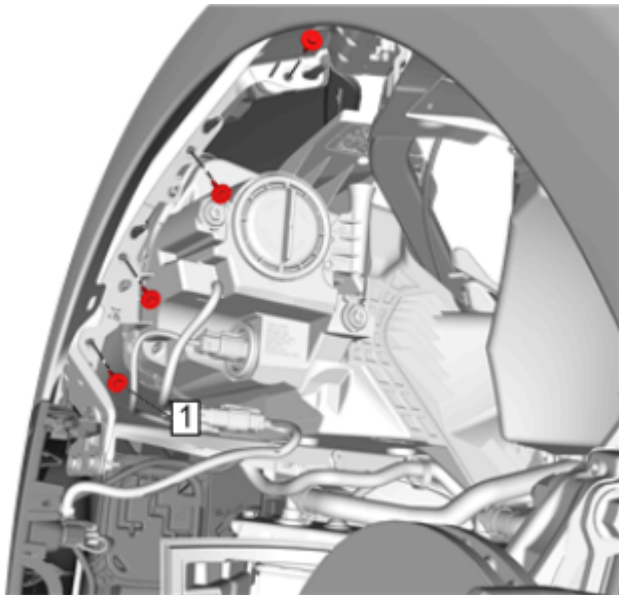


1. Transfer components as necessary.
2. Front Bumper Fascia (1) » Install
3. Connect the electrical connectors.

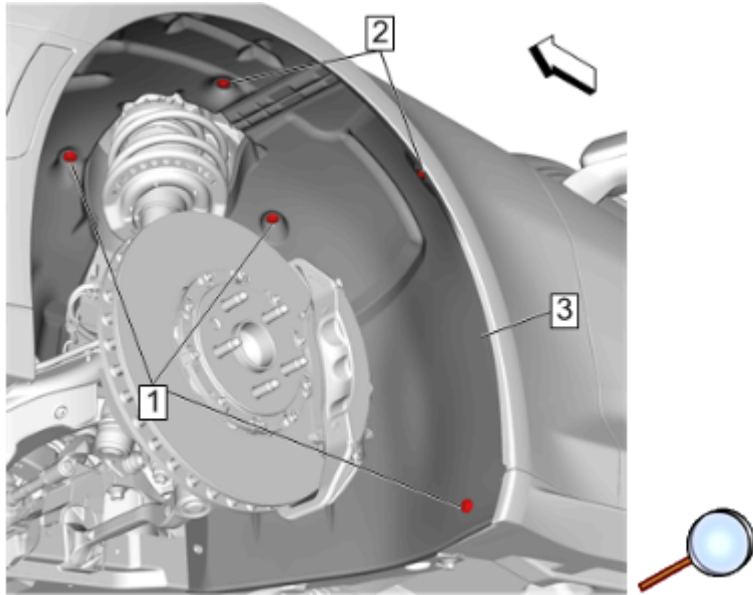


Caution: Refer to [Fastener Caution](#).

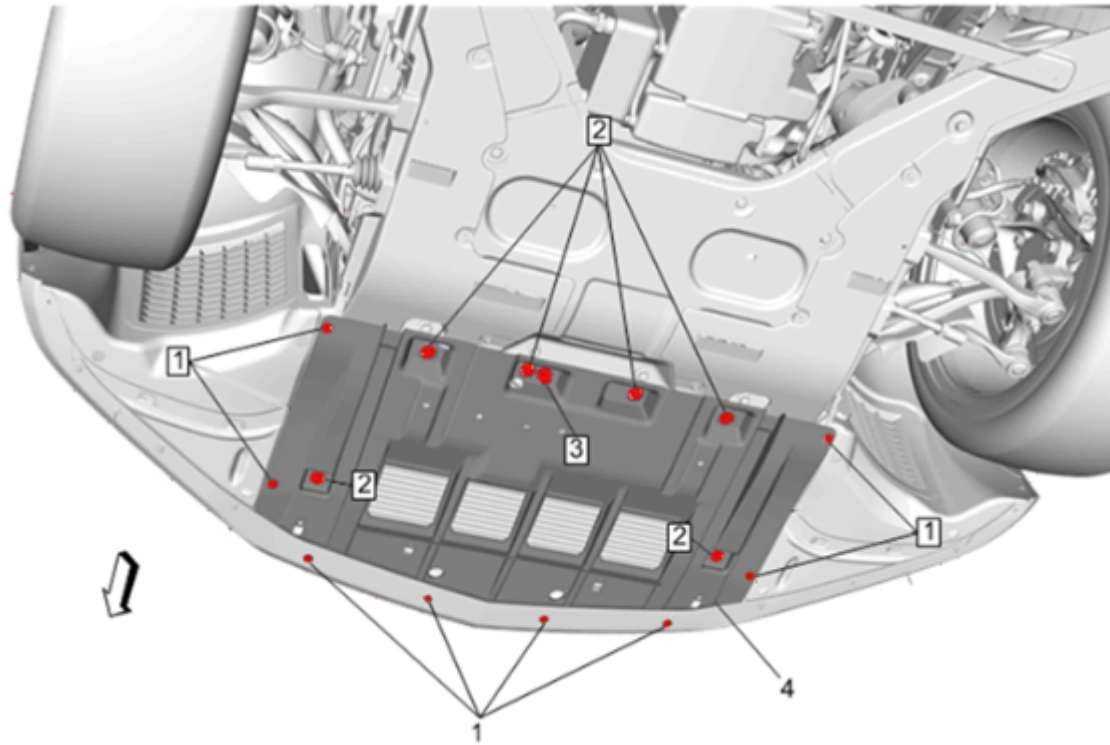
4. Install front bumper fascia bolt (1) to both sides and tighten to **2.5N•m(22 lb ft)**



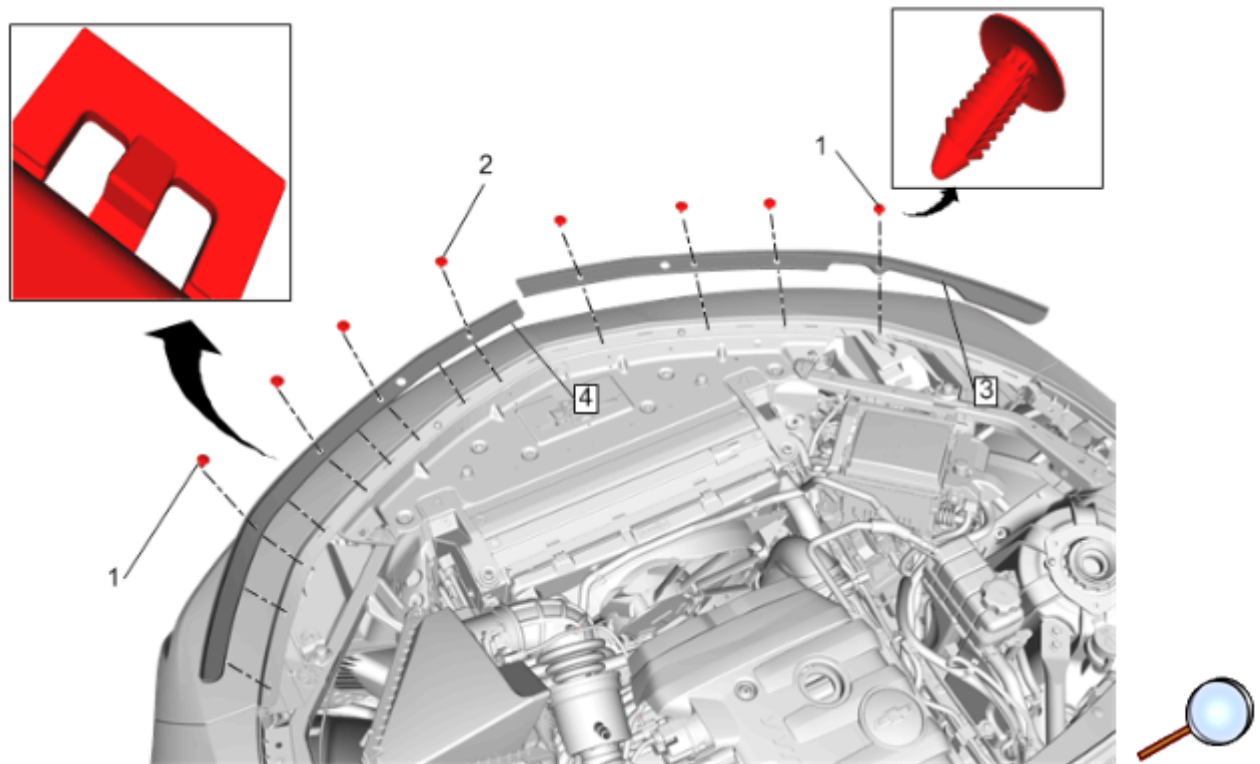
5. Install the 4 front bumper fascia outer bracket bolts (1) to both sides and tighten to **2.5N•m(22 lb ft)**.



6. Install both front wheelhouse liners (3). [Front Wheelhouse Liner Replacement](#)



7. Front Bumper Fascia Lower Stiffener (4) » Install — [Front Bumper Fascia Lower Stiffener Replacement](#)



8. Install the right and left front bumper fascia upper molding (3,4). [Front Bumper Fascia Upper Molding Replacement](#)