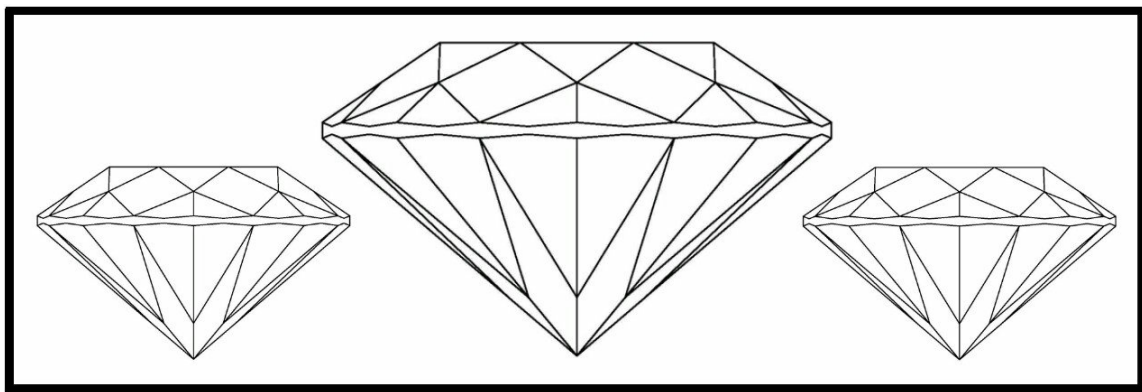


---

# The Federal Government of The Imperium of Diamond's



## ID's GSCPC Federation Contract

---

Sunday, October 29, 2017

**Contract N.º: 08.**

**Priority: PRIORITY OF CODE**

**Contract goal:**

Diplomatic communication, Federal Development, grow of The Institutional power.

**Contract personel:**


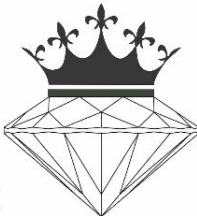
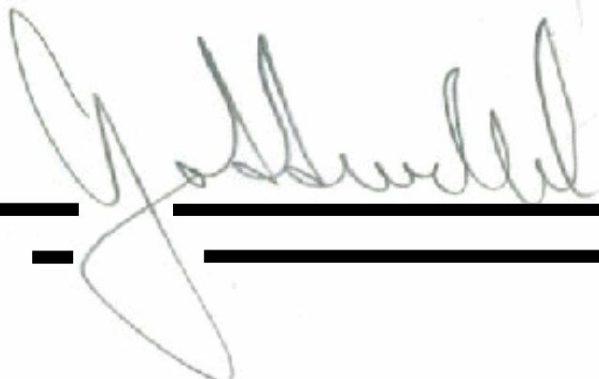
Diplomacy, Military Services, Sponage, Detective & Security defense.

**Price for service:**

1. Responsible on Price of Headquartier of Company and state Stox;
2. With modiflicated deficit on Federal taxes ratification for Institute ownership, Common finances in Company management.
3. Special mission, private agreements be Law.

**10,000,000,000 € in DMD currency on State.**

**King Gottwald Peter, ID's**



---

---

<http://www.TheImperiumofDiamondsGovernment.populiser.com>

---

The Institution & Federation is in the stage of establishing an organizational network, so it is necessary to ensure the function of own members, which are dependent on their own Institutional activity and business performance, under the administration of the General Council of Institution.

The objective of organized co-operation of Private Societies is therefore to carry out diplomatic representation and protection of diplomats for the purpose of establishing diplomatic co-operation with Private Companies & Contractors in order to be able to co-operate Internationally, to activate common business logistic under code of Institution ID's GSCPC.

1. *The beginning of the mission is activated by the diplomatic service. The Diplomatic Service provides an analysis of all movements for independence, micro states and resistance movements and armies, separatist groups around the world, active legal and criminal separation processes. The subject of separation is always an entity legally determining its independence from government and the state.*
2. *The diplomatic service will divide the groups into two positions. Legal and Peace Groups, in the second position of the Criminal and Conflict Group. Accordingly, a distinction will be made between the single mission and the communication with the subjects.*
3. *The objective of the mission is to establish a connection and to achieve a diplomatic union that allows the federation of micro-states or other institutional cooperation established by Article 21 CCI.*
4. *The Federation provides its own territories for the global federation centralization of all legally effective micro-states and the Independence Movement, allowing the founding of the common civilization of the One World.*
5. *That is why the objective of the mission is to ensure protection and logistical mobilization for micro states and to ensure the capacity for federal development.*
6. *The Micro state movement with an active crime has the right to federalisation only if the peaceful unification and cessation of all conflicts is achieved, as well as the recognition of responsibility in the quest for justice.*
7. *Micro states and independent movements that reject federalization can be supported for their membership of the Institution, the CCI and Code 21, and the right to work in the Corporate Network of the Institution.*

---

**Source of diplomats:**

Rental of law firms, business organizers, persons with a diplomatic profession, or use of their own offices Institutions. Furthermore, interactively according to the task of the situation and the appropriateness of responsibility.

**Payment:**

The payment will be made at a responsible level for the services provided and allowable working expenses.

The bill will be reimbursed for telephone, fax, postage, archive and office, staff, and fuel or travel.

Each section of a payment item must be recorded by a certification receipt and the submission of tickets and other certification accounts for the provision of a trade and with a confirmation from the financial office of the provider, the obligation to submit all sources of reference contracts and agreements, and photographs of the meeting and visits to certain locations. It is obliged to create a record of each meeting held and to ensure that the parties are signed to confirm the fact of the joint meeting.

Unless all responsible documents are presented, then the disputed right may also be the claim for payment of the work. It is necessary to maintain a thorough account management and ensure the function and photographic evidence.

1,000 people = 1,000,000 € in DMD

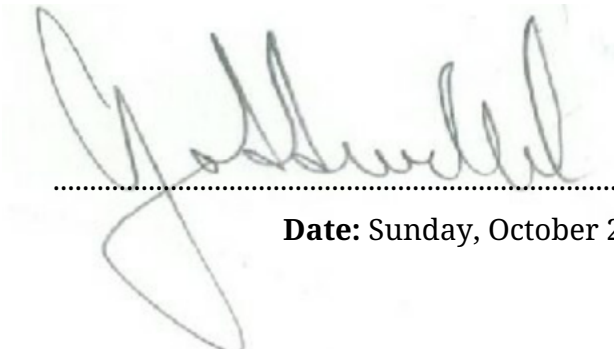
10,000 people = 10,000,000 € in DMD

100,000 people = 100,000,000 € in DMD

**1,000,000 people = 1,000,000,000 € in DMD**

**Maximal 10,000,000,000 € in DMD for contracting one state.**

**King Gottwald Peter, Legal represent for ID's Federation**



.....  
**Date:** Sunday, October 29, 2017

Document is for Evidence in ID's Federation and ID's GSCPC Archive's

---

## **List of Micro State's and Resistance movement's**

---

### **Intelligence of World Policy and The Goal Principles**

---

#### **World policy systems & The Global Government Goal First phase:**

[https://en.wikipedia.org/wiki/World\\_government](https://en.wikipedia.org/wiki/World_government)

#### **The One World Right's & special imunities:**

<http://theimperiumofdiamondsgovernment.populiser.com/disscusion/the-one-world-global-project>

#### **Law of The People and Global Law Order, World Governmental Democracy**

[https://en.wikipedia.org/wiki/United\\_Nations\\_list\\_of\\_Non-Self-Governing\\_Territories](https://en.wikipedia.org/wiki/United_Nations_list_of_Non-Self-Governing_Territories)

#### **The Independent movement's & Right of Federalization**

<https://www.docdroid.net/HkebdX8/right-for-independent-movements-for-ids-federalization.pdf>

#### **Religion movements cooperation**

<http://docdroid.net/e3PspSy/>

#### **Link on Consulate**

<https://www.docdroid.net/q9E4TLk/ids-office-of-logistics-for-micro-states-global-federalization.pdf>

#### **Link on Alliance and Union**

<https://www.docdroid.net/AWjQ5T4/ids-union-of-independents-2000.pdf.html>

#### **The State Business Center for Stabilization**

<https://www.docdroid.net/gMPxkcE/ids-part-of-documentation-before-finalizing-stabilization-31-05-20171.pdf>

#### **ID's Act on Culture, Religion & Art:**

<https://www.docdroid.net/Vx3bg7W/ids-act-of-culture-religion-art-2017.pdf>

#### **The ID's Cheque Citizenship:**

<https://www.docdroid.net/pSWRcSl/ids-citizen-cheque-2017-certified.pdf>

#### **Central page of Global project**

<http://theimperiumofdiamondsgovernment.populiser.com/disscusion/cooperation-between-movement-s>

**Together, the Federation and the Institutions of the GSCPC can begin to develop the power of its own army at a level exceeding the capacity of 100,000,000 of its own soldiers, in the first phase of The One World development.**

Our goal is not to divide the states, but our goal is to unite all the states of the world and create a central civilization of the united humanity. It is not appropriate to support the territorial division of any state. Our goal is only to convert the separatist movements and thus to ensure their interests, which in the act of ID's federation mean a step towards the union of all nations, a truly significant step for all nations, and a much more significant level and benefit to all governments.

Our mission development objective must be based on respect for the principles of diplomacy among states, respect for national and integrity, but also full respect for the duty of self-proclamation, which means maintaining a stable peace status internationally, on common relations between states, in the interest of each individual state.

Each subject of the separatist movement has some self-standing status that determines the ability and purpose of strategic contact and common benefit, and each of these entities is therefore also to be exploited.

Some micro-states do not have a sufficient population to legitimize their entity as the nature of the state, so it is our goal to unify these microstates and create confederations from which thousands of to ten thousand people will emerge in their own exercise for the purposes of federally joint development but and official and development support for the GSCPC. Microstates of this type often consist of the capacities of tens to hundreds of people who are at their level of weak progress only by the founder of the hope of the emergence of a new community order for several future generations or tens of years. The confederation merger of the microstates means the structure of up to 1,000 or 10,000 people from all over the world, thus imposing the nature of at least the geographic dimension of the base town.

The step of these micro-states for the purpose of our joint federalization is highly beneficial and will in principle ensure the progress of these movements, as the federation provides for the microstate level the real form of government, the international political infrastructure of a common private function, cooperation with international organizations, cooperation with other governments and states. the ability to actually run their own economy and bank management, but also the expansion of a real network of business corporations on their own independent federal territory that activate the state and the responsible levels of the executive government, allowing real civilization development.

The representation of microstates is made up of people who have their own primary intelligence and interest with the responsible principles of the policy strategy and state leadership, the administration of civilization and civil society, and therefore also the ability to represent the government and the political movement. Representation of Microstates can therefore soon represent office

administration functions, ensure the development of legal intelligence, and also establish Senate and parliamentary or other chamber functions.

Many independence movements are based on their own capacities of up to tens of thousands of people who together have their own headquarters of central logistics in the form of government, organization headquarters, or at the level of the sect of the religious movement and in the form of a group as an independent political party, a mature microstate, and often even a fully separatist a movement that fundamentally differs from the civilization of their current residence, and therefore these people are independent. Their origin of separation is the emergence of a difference of race, language, culture, belief and religion, but often also fundamentally different ideologies of politics. Some separatist movements often result from the consequences of the opposition to criminal and dictatorial regimes, often due to the occupation of their national lands as a stronger subject of domination, and sometimes even in the event of displacement, mass exile and exile or refugees. Some settlements also arise because of the centuries-old practices of establishing prison colonies that have been liberated from generation to generation, but some movements are also based on international eloquence between more than two states, and their organized purpose is the function of group jurisdiction and the form of religious sects and communities.

Often active groups such as People organizing joint conferences or expanding an independent network of unregistered markets and political conferences, International level embassies and consulates, international sites of diplomacy.

Today, some separatist movements are at a higher level of society, and their dominance is based on a real state that has the ability to control the territory. Therefore, the separatist movement possesses autonomy granted by the sovereignty of the government, and such movements therefore have full rights to develop their own business infrastructure and business rules, as well as the management of business entities.

Separatist movements of this background, sufficient town capacities, or a sufficient level of controlling their territories, are therefore responsible for the purpose of cooperating with the federation to establish the originality of their own state entity with membership of the federation, hence the use of the Federal Territories and the establishment of new branches business corporations that will therefore be used to achieve the industrial and developmental capability of colonizing new planets in space, thereby expanding jointly the federal forces serving the common good.

That is why the goal is to use the possibility of a common friendly diplomacy or a federation partnership in order to achieve the development of new branches of our corporations on their territory of autonomy or special administration, and thus to secure and support the development of these states.

The primary objective of cooperation between the separation movement is to establish diplomatic relations and to obtain confirmation of our friendly cooperation and, above all, of common federalization, meaning the possibility of a much more significant development and the function of joint actions, which for the separatist movements create a more significant position at the level of

international policy responsibly to the real state of the state as well as the ability to use and expand the independent power of global co-ordination of states, governments, international organizations, and to establish their own societies, groups, associations and organizations, banks and corporations.

The federalization step is more beneficial for each movement and therefore also the purpose of achieving much greater successes, own strengths, and values of our position at an international level. The federalization step for each movement is much more significant and more successful than their own current goal of gaining the independence of the territories and therefore losing tens of years in a fruitless effort meaning losing its meaning. The step towards federalization is an act of genuine governance of an independent state and the development of civilization, and that is the main purpose of political development of each subject. The objectives of the designated separatist entity's strategies are therefore created immediately using federalization resources.

The first step in the purpose of federal coordination is the establishment of a consular office on the side of each of the separatist movements, thereby ensuring joint administrative and legal consolidation, in accordance with international law. The consular office will maintain an archive of shared communications logistics, allowing contact with the center of all entities and movements in federalization from the level of global movements.

That is why our consular cooperation also enables a strategy for the joint development of diplomacy and the function of organizing a common state and developing a unified policy.

Therefore, the Consulate is the official center of communication between the main representative departments of the government and the administration of the movement, the interconnection of the offices and the establishment of federal centers of joint logistics by federal entities, as well as direct communication between the major representatives as well as the ability to jointly transfer international funds to the strategic development of a common business purpose at an international level.

In the event of the unified consular logistics unification function, the Joint Logistics System of the Government and the International Conventions Conference Center will be established and the establishment of the central communal settlement centers, the official center of common logistics.

The joint ability of our organization therefore also means responsible capability for Developing Common Business Networks and pooling in independent territories under federal administration that allow our communities to set up their own economy and civilization development but also the ability to support modernization and more significant development of their own side of traders who can draw on common sources of federal unification at international level.

The development of a common infrastructure also means the right to develop a common center of government in the federal territory, thereby enabling actively a joint meeting and organization of development as one real government and function responsibly at the level of a legitimate position within

the scope of international politics and therefore always with the ability of political activity and policy representation in independence from the current situation on the territory of the separatist movement, and it is at least a certainty that each member has the certainty of a stable background with protection under international law, allowing for a much better ability of free cooperation between peoples and the movement.

This opens up many new possibilities for development on the national development of a joint space mission strategy and ensures full independence.

**The difference between the separatism movement and the federal entity is fundamentally different;**

1. The separation movement is active in the territory of the opposition government, diplomatic resistance, or in the form of an actively persecuted subject by the criminal resistance of the sovereign government. The separation movement must respect in detail the rules of the sovereign government's jurisdiction to respect the primary sovereignty of the government and the rights of the police and armies to control, interrogate, investigate or imprison people for their attempts at any kind of crime. The movement must not violate the legal rules and be active as a fully independent entity in that territory, as such practices are a threat to the sovereignty of the government and threaten national security, and therefore to the government of the country, allowing the full arrests and mass murders of all persons active as members and representations of the movement. The Separation Movement is fully active as a subject of a political party that has the right to develop joint conferences and create an act of state opinion that is legitimate to present peacefully.

2. In the case that the movement uses the step of federalization, the movement and all the people who have accepted their right to be both a citizen and a federation, in the beginning as a dual citizen, have the right to gain an independent status and the right to use federal territories for the exercise of a real state administration, mission, economic development, the establishment of our own armies and security forces, and the development of our own position at international level as a real state and government always fully independent.

Representation for the Movement therefore becomes active as the government of the country, and members of the movement thus acquire their own territories which are destined for their free development of an independent civilization and according to jurisdiction responsibly to the common interest of democracy confirming the liberties of our states.

Until the full performance of the Common Federal Infrastructure between Allied Separation Movements is established, the GSCPC Institution has the right to perform logistics of security oversight and thus also to maintain stability of development without damaging the establishment of a federal-level government.



**While performing a mission, it is important:**

It is necessary to ensure the prevention of espionage with foreign entities and their abuse by technologies to influence the rhythm of reality space.

The technology will be designed, globally and cosmically extended and managed under Contract No. 11.

The technology will be further exploited for our own ability to influence the rhythm of the reality of our space and to establish global security.

**Standard Policy Functions:**

If the International UN Charter system is not responsibly functioning and will be misused against us or for the purpose of criminally damaging our interests, this means that such an organization has a legitimate expectation and it is necessary to use the rules of real reality and such responsibility based on the interactivity of the effect of the actual the situation and the principles of the natural nature of defending one's own position and situation.

If an organization collapses and does not have a responsible function for more than two years and another responsible and efficient system will be created by then, the organization will lose its full legitimacy and importance. Real legitimacy and legitimate meaning is only active on behalf of the new system of organization and government.

If the world system is not responsibly functioning, we have the ability to gain a position of world domination enabling us to establish a new world order.

---

## List of Subject's for Global Centralization

---

### List of states with limited legitimation

[https://en.wikipedia.org/wiki/List\\_of\\_states\\_with\\_limited\\_recognition](https://en.wikipedia.org/wiki/List_of_states_with_limited_recognition)

### List of past dependencies and states:

[https://en.wikipedia.org/wiki/List\\_of\\_historical\\_unrecognized\\_states\\_and\\_dependencies#20th\\_century\\_2](https://en.wikipedia.org/wiki/List_of_historical_unrecognized_states_and_dependencies#20th_century_2)

### List of provisional government's:

[https://en.wikipedia.org/wiki/Provisional\\_government](https://en.wikipedia.org/wiki/Provisional_government)

### List of Governments in Exile:

[https://en.wikipedia.org/wiki/Government\\_in\\_exile#Current\\_governments\\_in\\_exile](https://en.wikipedia.org/wiki/Government_in_exile#Current_governments_in_exile)

### Failed states index

[https://en.wikipedia.org/wiki/Fragile\\_States\\_Index](https://en.wikipedia.org/wiki/Fragile_States_Index)

### List of last Military Dictatorship governments

[https://en.wikipedia.org/wiki/Category:Military\\_dictatorships](https://en.wikipedia.org/wiki/Category:Military_dictatorships)

### Internationally recognized separatist nations

[https://en.wikipedia.org/wiki/List\\_of\\_active\\_separatist\\_movements\\_recognized\\_by\\_intergovernmental\\_organizations](https://en.wikipedia.org/wiki/List_of_active_separatist_movements_recognized_by_intergovernmental_organizations)

### List of former unrecognized countries

[https://en.wikipedia.org/wiki/Category:Former\\_unrecognized\\_countries](https://en.wikipedia.org/wiki/Category:Former_unrecognized_countries)

### List of unrecognized states

[https://en.wikipedia.org/wiki/Category:Former\\_unrecognized\\_countries](https://en.wikipedia.org/wiki/Category:Former_unrecognized_countries)

### Last Unrecognized states and dependences, people who stand again

[https://en.wikipedia.org/wiki/List\\_of\\_historical\\_unrecognized\\_states\\_and\\_dependencies](https://en.wikipedia.org/wiki/List_of_historical_unrecognized_states_and_dependencies)

### List of Unrepresented States

[https://en.wikipedia.org/wiki/Unrepresented\\_Nations\\_and\\_Peoples\\_Organization](https://en.wikipedia.org/wiki/Unrepresented_Nations_and_Peoples_Organization)

### List of proto states (State of Government's is UNTOUCHABLE)

[https://en.wikipedia.org/wiki/Proto-state#List\\_of\\_modern\\_proto-states](https://en.wikipedia.org/wiki/Proto-state#List_of_modern_proto-states)

### List of Principalities

<https://en.wikipedia.org/wiki/Category:Principalities>

### Trees of Noble families genuses

[https://hyper-db.de/monopedia/wiki/index.php?title=List\\_of\\_family\\_trees](https://hyper-db.de/monopedia/wiki/index.php?title=List_of_family_trees)

**List of states de facto sovereignty**

[https://en.wikipedia.org/wiki/Unilateral\\_declaration\\_of\\_independence](https://en.wikipedia.org/wiki/Unilateral_declaration_of_independence)

**Radical groups controlling territory**

[https://en.wikipedia.org/wiki/List\\_of\\_active\\_rebel\\_groups#Groups\\_that\\_control\\_territory](https://en.wikipedia.org/wiki/List_of_active_rebel_groups#Groups_that_control_territory)

**List of Military Right Wings political parties:**

[https://en.wikipedia.org/wiki/Category:Military\\_wings\\_of\\_political\\_parties](https://en.wikipedia.org/wiki/Category:Military_wings_of_political_parties)

**List of military dictatorship movements and post people which live today**

[https://en.wikipedia.org/wiki/Military\\_dictatorship#Current\\_cases](https://en.wikipedia.org/wiki/Military_dictatorship#Current_cases)

**List of Pro-Independence Political Parties**

[https://en.wikipedia.org/wiki/Category:Pro-independence\\_parties](https://en.wikipedia.org/wiki/Category:Pro-independence_parties)

**List of Secessionist organizations**

[https://en.wikipedia.org/wiki/Category:Secessionist\\_organizations](https://en.wikipedia.org/wiki/Category:Secessionist_organizations)

**Separatist movements**

<https://en.wikipedia.org/wiki/Separatism>

**List of Separated movements be continent:**

[https://en.wikipedia.org/wiki/Lists\\_of\\_active\\_separatist\\_movements](https://en.wikipedia.org/wiki/Lists_of_active_separatist_movements)

**Interactive List of Separatist movements be continent and country**

[https://en.wikipedia.org/wiki/Category:Separatism\\_by\\_country](https://en.wikipedia.org/wiki/Category:Separatism_by_country)

**List of separatist movements in Europe**

[https://en.wikipedia.org/wiki/List\\_of\\_active\\_separatist\\_movements\\_in\\_Europe](https://en.wikipedia.org/wiki/List_of_active_separatist_movements_in_Europe)

**List of Historical Separatist movement's**

[https://en.wikipedia.org/wiki/List\\_of\\_historical\\_separatist\\_movements](https://en.wikipedia.org/wiki/List_of_historical_separatist_movements)

**List of Independence movement's**

[https://en.wikipedia.org/wiki/Category:Independence\\_movements](https://en.wikipedia.org/wiki/Category:Independence_movements)

**List of baned secessionist parties**

[https://en.wikipedia.org/wiki/Category:Banned\\_secessionist\\_parties](https://en.wikipedia.org/wiki/Category:Banned_secessionist_parties)

**Military Anarchy Groups**

[https://en.wikipedia.org/wiki/Category:Anarchist\\_militant\\_groups](https://en.wikipedia.org/wiki/Category:Anarchist_militant_groups)

**Religion separatist movements**

[https://en.wikipedia.org/wiki/Religious\\_segregation](https://en.wikipedia.org/wiki/Religious_segregation)

**List of New Religion movement's**

[https://en.wikipedia.org/wiki/List\\_of\\_new\\_religious\\_movements](https://en.wikipedia.org/wiki/List_of_new_religious_movements)

**List of curent Religious Orders:**

<https://www.independentmovement.us/current-listings/current-religious-orders/>

**List of Religion center's with own Jurisdiction:**

<https://www.independentmovement.us/current-listings/current-jurisdictions/>

**Micronations list (open for Multi-subject like confederation)**

[https://en.wikipedia.org/wiki/List\\_of\\_micronations](https://en.wikipedia.org/wiki/List_of_micronations)

**List of Secessionist cities**

[https://en.wikipedia.org/wiki/Category:Secessionist\\_towns\\_and\\_cities](https://en.wikipedia.org/wiki/Category:Secessionist_towns_and_cities)

**Refugee camps**

[https://en.wikipedia.org/wiki/Refugee\\_camp](https://en.wikipedia.org/wiki/Refugee_camp)

**List of Refugee camps**

[https://en.wikipedia.org/wiki/Category:Refugee\\_camps\\_by\\_location](https://en.wikipedia.org/wiki/Category:Refugee_camps_by_location)

**Refugee camps be location**

[https://en.wikipedia.org/w/index.php?title=Category:Refugee\\_camps\\_by\\_location&mobileaction=toggle\\_view\\_desktop](https://en.wikipedia.org/w/index.php?title=Category:Refugee_camps_by_location&mobileaction=toggle_view_desktop)

**List of Pretenders**

[https://en.wikipedia.org/wiki/List\\_of\\_current\\_pretenders](https://en.wikipedia.org/wiki/List_of_current_pretenders)

**List of Stateless people**

[https://en.wikipedia.org/wiki/Stateless\\_nation](https://en.wikipedia.org/wiki/Stateless_nation)

**Stateless nationalism be continent:**

[https://en.wikipedia.org/wiki/Category:Stateless\\_nationalism\\_by\\_continent](https://en.wikipedia.org/wiki/Category:Stateless_nationalism_by_continent)

**List of Nomadic people:**

[https://en.wikipedia.org/wiki/List\\_of\\_nomadic\\_peoples](https://en.wikipedia.org/wiki/List_of_nomadic_peoples)

**List of Nomadic Groups in EuroAsia**

[https://en.wikipedia.org/wiki/Category:Nomadic\\_groups\\_in\\_Eurasia](https://en.wikipedia.org/wiki/Category:Nomadic_groups_in_Eurasia)

**List of Indigenous people:**

[https://en.wikipedia.org/wiki/List\\_of\\_indigenous\\_peoples](https://en.wikipedia.org/wiki/List_of_indigenous_peoples)

**List of uncontacted people:**

[https://en.wikipedia.org/wiki/Uncontacted\\_peoples](https://en.wikipedia.org/wiki/Uncontacted_peoples)

**List of US unrecognized tribes**

[https://en.wikipedia.org/wiki/List\\_of\\_unrecognized\\_tribes\\_in\\_the\\_United\\_States](https://en.wikipedia.org/wiki/List_of_unrecognized_tribes_in_the_United_States)

**List of frivolous political parties**

[https://en.wikipedia.org/wiki/List\\_of\\_frivolous\\_political\\_parties](https://en.wikipedia.org/wiki/List_of_frivolous_political_parties)

## List of Diasporas

[https://en.wikipedia.org/wiki/List\\_of\\_diasporas](https://en.wikipedia.org/wiki/List_of_diasporas)

## Private military companies and contractors

1. [https://en.wikipedia.org/wiki/List\\_of\\_private\\_military\\_contractors](https://en.wikipedia.org/wiki/List_of_private_military_contractors)
2. [https://en.wikipedia.org/wiki/Category:Private\\_military\\_contractors](https://en.wikipedia.org/wiki/Category:Private_military_contractors)
3. ID's GSCPC Contract No.: 05

## PMSC association

[https://en.wikipedia.org/wiki/Category:International\\_Stability\\_Operations\\_Association](https://en.wikipedia.org/wiki/Category:International_Stability_Operations_Association)

**Theory of Maximal power for the Federal population level is around;**

# 1,500,000,000 people

Due to the obligation of responsibility to take into account the international stability and stability of the states, their geography, resources and operating budgets and level, therefore, it can be decided for the purpose of stopping the function of the right of admission of new citizens to the origin of these countries. Statistics must be regulated.

The view of foreign states on the act of communication or any other cooperation with the separatist parties is often ideologically regarded as an interference with the integrity of the state, an attempt at the collapse of the government and other organized terrorism.

Therefore, it is necessary to confirm the real interest of the target, and it is not in our interest to acquire foreign territories or to harm the rights of the government. Our goal is to gain members of the Alliance, in the form of a federation, thereby creating a new nation that consists of people who are not active and ideologically minded as the nation of any state.

Our goal is to reduce the activities of separatist movements abroad and to establish their centralization on their own territory.

Our privilege is not to support separatist movements in their interests of independence. Our right is to support health care, social supervision, diplomatic support for human rights, social security and the control of radical people.

Everyone has the right to choose his / her citizenship. Nations have the right to unite.

---

## **The ID's Constitutional Privileges**

### **The right of federalization states and the importance of the Unity of Humanity**

1. The Imperium of Diamond's government claims to be in the position of International rules for national self-determination, and can therefore embrace a national movement that, through International declarations of national rights for self-determination, seeks independence and the incorporation of its own national values and territories into The Imperium of Diamond's. The Imperium of Diamond's government has the right to determine that the federal step for the unification of mankind is the most important strategy of human existence and therefore it is impossible for anyone to resist the valid values of International claims.

### **Artikels on the law of the national development of federal entities and the principle of characterization**

1. Identified individuals and their societies are entitled to the foundation of basic civilization networks in the open space and therefore the building of a new civilization. The establishment of a new civilization network must not conflict with the strategy of development and the function and stability of the entire civilization of Imperium of Diamond's.
2. The establishment of a new civilization network must therefore be approved through a local government that decides on the use of the Territory and its surrounding development strategy relationships in Terra Nullius.
3. If the Identified Person and consequently the representative of the organized civilization network owns a built up network of less than 10,000 population then the group becomes a legal person according to the claim for a partial crowd of civilization which from the population group creates a democratic crowd which is able to decide on the change of the members of the representation as requirements for determining business activity.
4. If the Identified Person and consequently the representative of the organized civilization network has a built-up network of a population of 10,000 people, then the Group becomes a legal person with full capacity to represent a subject such as the City Civilization Council after a mandate of ten years, the emergence of a population choice of civilization built, the election for the election of a new representative who will, however, use the mandate for five years.
5. If the Identified Person, then a representative of the organized civilization network, owns a built-up network of 100,000 people, then the group becomes a legal person with full capacity to represent as a subject in the form of political activity as the federal entity of the Government of Imperium of Diamond's, federal policies and the rules of federal co-operation as one fully synchronized entity of the Imperium of Diamond's federal center.
6. In order to cooperate with each federal government, the federal government

of Imperium of Diamonds creates joint actions that establish a planetary civilization as part of the sovereignty of a federal entity, and at the same time creates a system of civilization development into a Star City, then Universal City.

7. The territories created by the Imperium of Diamond's federal government are therefore based on the federal sovereignty of the entity that has acquired the territorial part of such a form of civilization, with the duty to respect the demands of legal ownership of territories by the Imperium of Diamond's federal government.
8. The federal government is the most important entity for the legal representation of territories.
9. The federal government creates a powerful Imperium from its own civilization that will be directed to the value of its greatest strength and importance. The King of the Land and his federal government together form the Imperium, which is to be based on the greatest and most significant values in the history of all mankind.
10. The Imperium of Diamond's federal government carries out its own civilization in the best interest and for the best success of the future.
11. The Federal Government, the Imperium of Diamond's, becomes a political subject that is territorially indivisible, therefore with the intention of uniting the world through democracy, diplomacy, cooperation, and in good interest to the whole world.

#### **Artikels on the Law of Federalization of States of Partial Recognition**

1. The foreign governments of the countries are fully entitled to federal membership in the interest of their own political value and the activity of other forms of sovereign policy of de jure in their own countries. The Imperium of Diamond's federal government must, however, fully approve the joint membership of a partial government, in accordance with internationally-valid rights and obligations or policy-driven policies, as well as with the interests of peace, security and justice. Any government of a country that will be accepted as a federal party therefore becomes partially entitled to full cooperation in the interest of a common federal policy until full action on the common policy and ensuring its own stability for the sovereignty of the federal entity of the territory with its own sovereignty is recognized.
2. Each federal entity based on its own sovereignty de juri will therefore be fully eligible for federal support for political and developmental character, meaning federal activity for International political co-operation and ensuring full sovereign stability, de facto, be the development of new territories with sovereignty de facto on the territory of other planets in the universe, and the expansion of the federal subject of civilization to the Star City ratio that becomes the legal form of sovereignty of the government as a federal member of The Imperium of Diamond's with a solid participation in the federation de facto. The star city is therefore becoming the center for building national centers and preserving national cultures, traditions, architecture, civilization, the format of society, and other values such as national possessions, economics and markets, trade rights and other humanitarian needs.
3. Each Imperium of Diamond's federal subject body becomes a full member of

the civilization as a federal body of our policy, and therefore The Imperium of Diamond's government will proceed to ensure development co-operation for each federal entity, is extending the values of common civilization maturity, establishing common markets, in the first form, the establishment of developmental steps for the civilization of a federal entity which, therefore, acquires new territories in the form of a cosmic space of several Star cities that together form a united multitude of civilizations with full claim to the sovereignty of the federal governmental entity in the form of federal cooperation and the interest of The Imperium of Diamond's. The federal government, as the subject of the Imperium of Diamond's, will therefore be based on sovereignty in the territories of its own natural sovereignty and consequently in the interest of the federal sovereignty of the Star City territories that will be established as the permanent values of The Imperium of Diamond's.

*(De Juri, States with their own jurisdiction or code of law, not legalized as sovereign over their territory of origin, activity or occupation)*

#### **Article on the rights of states without their own determination of sovereignty**

1. The federal government, The Imperium of Diamond's, has the full right of accepting into the federation a nation that is without a crowd and legal sovereignty, if the nation itself determines 50% or majority voting by a social democracy. Such a rule means that the Imperium of Diamond's Federation does not oppose the International decision of the world politics and the responsible authorities for the annexation of other nations to The Imperium of Diamond's, and this again means that it is not a resist for the federal government to temporarily associate an independent territory, and surveillance or civilization management.

#### **Article on Asylum development**

1. The Imperium of Diamond's gives every asylum seeker, immigrant protection, or citizen-seeker the full right to become a legitimate citizen of the Imperium of Diamond's government. However, if a group of more than 10,000 people comes with citizenship requirements, it will be decided to establish a new planetary civilization, which becomes a new federal colony, thus creating a new part of the Imperial of Diamond's federal centers. This made the immigration colony a new federal state that is set up to establish a new civilization.

#### **The right to jointly use the Federal Territories**

1. Common Federal Territories therefore automatically become the common legal property of all federal states that together form a sovereign group over the common values of the federal entity, The Imperium of Diamond's. Common assets are therefore equivalent, shared and intended for the joint development of all our countries to achieve the best-performing strategy of the common future. Thus the country becomes the legal property of The Imperium of Diamond's government.



### **Right of Integrity Common Centralization Mobilization**

1. This means that no entity from abroad or any other entity that is not authorized by The Imperium of Diamond's can not ensure that the entity can interfere with the internal interests of the federation or system stability. The Federation must always be fully independent in maintaining its own strategies for the unification of humanity, always in the interests of justice and security, according to legal interests and rights, thus always re-maintaining all the values of the common civilization and all the possibilities for our future development.
2. The Imperium of Diamond's federal government therefore does not allow any form of espionage, information, statistics, storing any personal data of citizens and legal entities in the interest of information theft and data storage abroad, attempts to disinform information or attempts to influence federal policy and any rights of citizens. In this case, the entity will be termed terrorism.

---

# The Process of Federalization

---

## First phase

### Federal Democracy and State

---

1. *Meeting in The Senate, in equality and joint debates, poll's and policy development.*
2. *Use of common policies and values.*
3. *Use all form's of common technologies.*
4. *Strong development of common civilization.*
5. *Development of common right's, market's and regulation's in the interest's of economic's and geo-position system's, common market's.*
6. *Expanding better rules for the common market and the use of common strategy abroad.*
7. *Enhanced cooperation between corporation's, joint exploitation of government corporation's in the interest of common strategy and equivalence developing countries.*
8. *Getting full support from the bank's and establish new form's of cooperation in the interest of the developing economies or exploitation of raw material payment's. Common economical structur and fund's.*
9. *Joint action safety and utilization armies to maintain the security of our country, a defense against foreign terrorist countries and communities.*
10. *Ability to maintain permanent legislation in the interest of your country's territories, sitting in The National Parliament and The Senate, maintaining own territorial independence.*
11. *Federal government maintain their own form's of international cooperation in the interest's of the organization, association, and political agreement's.*
12. *Elimination of political barricades, custom's, common border, censorship, other form's of compartmentalised barrier's. Development of a common policy.*
13. *The full development of joint transport network's.*
14. *Development of a common policy and democracy in international and federal direction.*
15. *Establish cooperation in the interest of development activities biggest global logistic's group.*
16. *Support for full cooperation between our nation's.*
17. *Immediate greening and ecologization.*
18. *Ensuring full budget for the population, budget's, resources, values, area of economic's and business network's. Poverty eradication, support for agricultural development and ensuring full enough food for the whole nation, the development of health care and remove any form of medical care deficiencies. Guarantee full quality of life for every citizen. The full development of Education and elimination of illiteracy. All other form's of humanitarian project's that are needed.*
19. *Strong support for rapid growth in the value of the currency and financial*

- opportunity to become a full member of the monetary unity.*
20. *Development of joint fund of bank and ensure the full strength of our economic cooperation.*
  21. *Cooperation for the extension of the common federation across the world.*

---

## The second phase

### Federal Democracy

---

1. *The removal of all barrier's, common policy.*
2. *Consolidation system's Government's and politician's right's or the law. Respect differences in geographical and national differences.*
3. *The unification of market's, balancing economic, Match corporate values.*
4. *Support for full unity of nation's, shared media and media event's or public affair's and public presentation of a common natural form.*
5. *Full form of open travel between countries.*
6. *Remove any crime or armed group's and conflict.*
7. *Common agricultural zones and common areas. Joint industrial center's in the country and abroad in The Universe.*
8. *Unifying the main cities of our country through super high-speed network's and the creation of the Super Cities of Global Diamond.*
9. *Development of cosmic planetary civilization's for every country in the Federation, a token of respect for the interest's of the unification of all mankind. Development for the Stellar citties.*
10. *Joint technology. Sharing government corporation's.*
11. *Planning a common infrastructure, unification of Engineering.*
12. *Unification of the basic education system.*
13. *The development of civilization space station space, in the sense of common super cities.*
14. *Joint research center's and science issues. The research center, metro and other mega civilization.*
15. *Centering joint resources and energy sources, for developing system's for the production of raw material's, ensuring non-binding on the raw material's for each city and it's economic region.*
16. *Joint media, television, radio, internet, public urban center's.*
17. *Providing direction to fully achieve all the qualities and advanced option's for the country.*
18. *Use common market's.*
19. *Elimination of unemployment.*
20. *The common currency financing.*

---

## The third phase

### Federal State

---

1. *Full form policy based on a common territory, maintaining the ability for legal multitude of territories own national character and previous sovereignty.*
2. *A common policy in the interest's of common federation by fully values the joint entity.*
3. *Eliminate the differences, racism, addiction, than create global cooperation.*
4. *Joint work and centering all the strategies for the unification of all mankind, expanding common civilization's in The Universe, the progress achieved in the value outstripped the value of our planet Earth by at least „One miliard times“.*

---

*The process of joint federalization is created for the possibility to launch a full federal cooperation and unification of our peoples, government's and territories and civilization's, through a system that handles all core values of the equivalence of our countries in the relative values of the Federation which expand's and build's self-esteem in the interest of the most advanced federal entity, therefore, that our common values could actually be equivalence.*

*Cooperation for the development of every civilization takes place through the strategic step's that will keep the base and the natural system of each federal land and cause the development of ground system that will eliminate all threat's of bankruptcy or insolvency and damage to civilization through the possibility of threat from a change in function civilization cooperation in the category of political interest's, right's, market's, competitor's, the values of civilization and consolidation of cooperation between the national culture.*

*The system therefore committed to the values of political stability and ensuring their development and synchronization in order to form a joint federal unity and unification of the territories. Each federal entity therefore uses logistical support which mean's an expansion of the government's logistic's and building new unit's of government in the form of intelligent activity which is intended to promote the interest's of the country's modernization and expansion of civilization in the form of new market's, creating new corporation's, support for the full cooperation of bank's and offices, development of economy and system's of our cooperation in the interest of geoterritorial differences. Logistic's therefore support's improving the quality of life of the country and the values of the nation. The system support's the action's of urbanization and the expansion of the value of each federal country and all through a commitment to cooperation and our unity.*

*Common unity of countries and government's therefore mean's support for extending too foreign political relation's and cooperation in order to create a global policy network's. Common form's of international interest in political activities and the provision of a common system of political strategy. Our cooperation is therefore also led in the name of activity and development of military activity in the interest's of global interest and that mean's mainly internal cooperation between our parties for expanding the values common to armies and military forces.*

*Our collaboration represent's the unification of our country and the opening of border's between nation's, step's for unification of common policies and national cooperation, the creation of a powerful civilization that will mark the unification and expansion of these values across the world.*

*Our collaboration is a federal interest in the whole world and unite together to build the most powerful country in the history of the human world.*

---

## The Bonus of Mission

---

The Federal Development meaning, step for The One World and Human Expand, Step of Mankind;

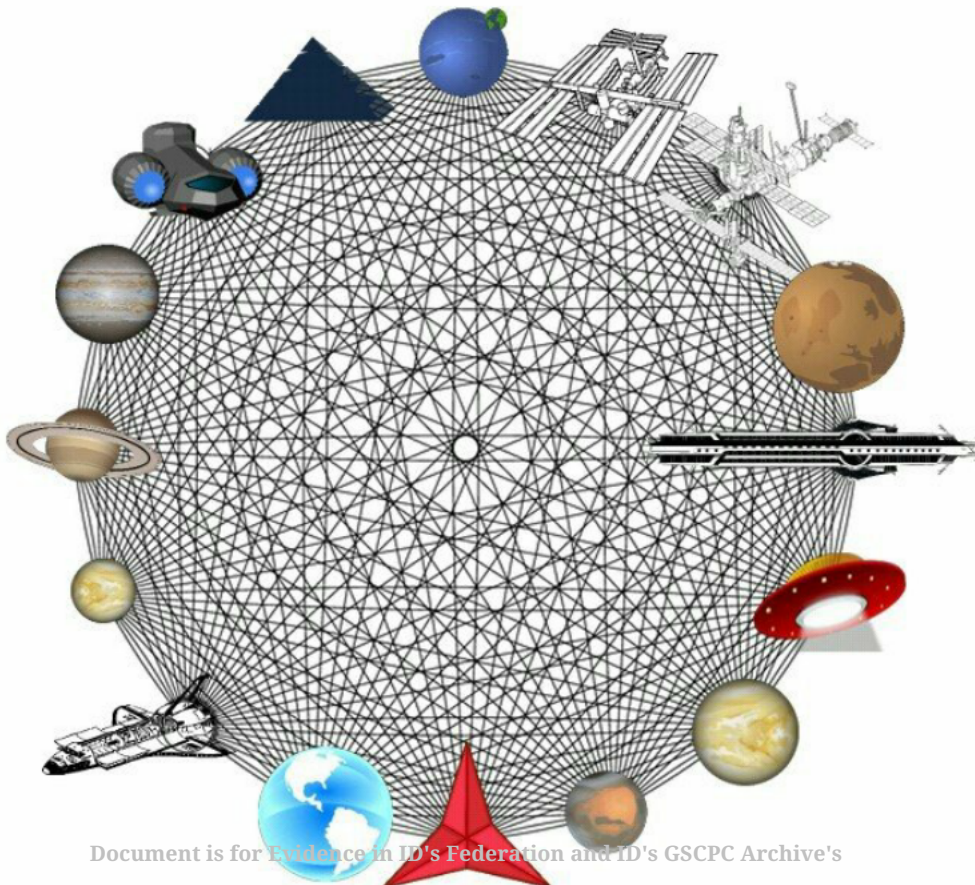
When every PMSC, Detective and Spy Contractor have right for convert independent people into Federal citizenship register and therefore develop His own regime under federal level of legalization which give right for profit of Federal development of new Stellar city as a first civilization base for territory and civilizational development of new state.

**Welcome in The Federation ! Please Activate Your Government !** Is need only active Provisory Office of Government and start World Infrastructure of Office development.

### One Stellar City

100 Artifical planet's around one star. Every planet is based on own civilizational function and development, Stellar City constellation

1. Planetary city
2. Planetary Industries
3. Planetary Agro center
4. Planetary Research zone
5. Planetary mining center
6. Planetary Android civilizations
7. Planetary Military basse
8. Planetary Industry for Civilizationalship's development



Document is for Evidence in ID's Federation and ID's GSCPC Archive's

---

# Work commitment agreement

---

## Order

**Contract No. °: 08**

**Mission location:** Global Development

**Client:**

.....Federal Government of the Imperium of Diamond's and the ID's Global Security  
Concern of Private Companies.....  
.....  
.....

**Organizer on behalf of the General Council Institution (Responsible,  
Organizer):**

**Name of Private company:**.....  
.....  
.....

**Office Number in State register:**.....  
.....

**Adress of Headquartier:**.....  
.....  
.....  
.....

**Official represent (President/General Council):**.....  
.....  
.....

**Official Representative of Agreement (Clerk/Represent):**.....  
.....  
.....

**Telefon:**.....

**Fax:**.....

**E-mail:**.....

**Post contact:**.....  
.....  
.....  
.....

**Place:**.....

**Date & Time:**.....



# **ID's GSCPC**

## **Order**

**Contract No. °: 08**

**Mission location:** Global coordination

**Signature of Official Representative for Contract, Stemp**

.....  
Date: \_\_\_\_\_

**Signature of Company Representation, Stemp**

.....  
Date: \_\_\_\_\_

Document is for Evidence in ID's Federation and ID's GSCPC Archive's  
**Work Commitment agreement page N.°: 02**

---

---

# Employed persons within the mission

---

*Provisory registration form*

Profesional:.....  
Name:.....  
.....  
.....  
Date of birth:.....  
Citizenship:.....  
Sex:.....  
Passport N.º:.....  
Permanent address:.....  
.....  
.....  
.....  
Contact postal address:.....  
.....  
.....  
.....  
Telefon:.....  
E-mail:.....

Document is for Evidence in ID's Federation and ID's GSCPC Archive's

Work Commitment agreement page N.º: 03\_Employed persons within the mission

The person confirms his / her employment time in the interest of the mission and issues a statement of self-interest for the purpose of coordinated cooperation according to the logistics and command of the superior Business Company providing the contract as a member of the GSCPC General Council.

The professional at his signature confirms that he was fully aware of all the information about his task responsible in relation to the mission, and understands well. His approach was without pressure from another person, only a voluntary or employment priority of the employment contract.

If a Professional has any objections, the professional must refuse to provide his / her affirmation by signing for the purpose of his / her provision for changing the terms of the agreement.

Note:.....  
.....  
.....  
.....  
.....  
.....  
.....  
.....  
.....  
.....

Place:.....

Date:.....

**Registry registration act**

Original Document of the Agreement in Original Copies:.....

Number of contract documents added (delete if none):.....

**Signature of the Professional Executor**

.....

**Signing the representation of the Company for the Contract of Contract**

.....

Date: \_\_\_\_\_

Document is for Evidence in ID's Federation and ID's GSCPC Archive's

Work Commitment agreement page N.º: 04\_Employed persons within the mission

---

# **!! WARNING !!**

**Next page's doesn't contain explicit theme, criminal support or organizing terrorism.**

**Documentation is legalized under International Law and principles of policy between states.**

**If You are don't understand in Legal Law, please You ask for Your Advocate before You act reaction which can meaning act of crime which is punnishable and only strengh a need's for expand powerfull position against enemies.**

**Is nice to live in a clean world which autonomously prevent to a need's, of WMD's development.**

# **!! WARNING !!**

---

## **Execution missions Political activities at the level of the International network of states may imply a special security measure and a stable function of their own position**

---

The Federation does not have a legitimate membership of the United Nations and therefore is not fully obliged to activate such principles of legal obligations and the exercise of this compliance.

In any case, the Federation recognizes its own obligations to perform the purpose of International peace, security, justice, and thus opposition to the criminal enemy.

If will be the slightest threat to the Federation against any federal interests, or the entity will become an enemy because of its intolerance which provide support for terrorism, federal federation bodies and the Party ID Institution of GSCPC therefore has the right to activate Weapons of Mass Destruction for the purpose of its own protection; eliminating the threat of damage to Federal Interest.

At a time when the Federation will be a member of the United Nations, it is thus responsibly bound to ensure legal cooperation with UN rights and therefore to ensure that the use of WMD is halted, stoped and liquid, or that the use of Weapons of Mass Destruction is made possible in the case of a UNSC member's permanent seat, resolved by such a right.

Thus, compliance with the rights of the UN can be upheld, as long as such rights are legally functioning in responsible justice and responsibly at full International level, firstly also implying the right to use this system of International law to replace the strategy of developing and using Weapons of Mass Destruction.

Institutions have the right to develop according to the interests of providing protection to the interests and justice of the Federation. Therefore Federation gives open rights to the institution to use WMD technology plans that are legally owned by the Federations, and will therefore establish coordination of security and International protection.

If an institution uses Weapons of Mass Destruction for the purpose of liquidating a terrorist entity, it is not a criminal offense. Nobody has the right to adopt attitudes, performance, and information dissemination to the purpose of attempting to challenge persons, groups or societies for the purpose of opposing the law of the Federation and the Institution or act as an effective protest against legal claims and principles of International law.

An entity that is active in this interest seeks to interfere with the integrity of the federation and the legitimate interest; therefore, this subject of criminal interest may be intended to seek and dispose of it. The act of liquidating a terrorist entity can not be criminal.

The federal security forces and the Institutions have the right to find and liquidate all entities of such a terrorist position.

Atmospheric cannon, Airplan turbines and chemical generator for bulett production, form of space probe, city or continental liquidation, oportunity for regulation on capacity of liquidation only for object are 10×10 m<sup>2</sup>.

## **Public States which legaly own, develop and use, Weapons of Mass Destruction, or have right's for this**

### **UN organization members**

1. United States of America
2. United Kingdom of Great Britany & North Ireland
3. France
4. Russian Federation
5. Chinese popular republic

### **Non-UN organization member's**

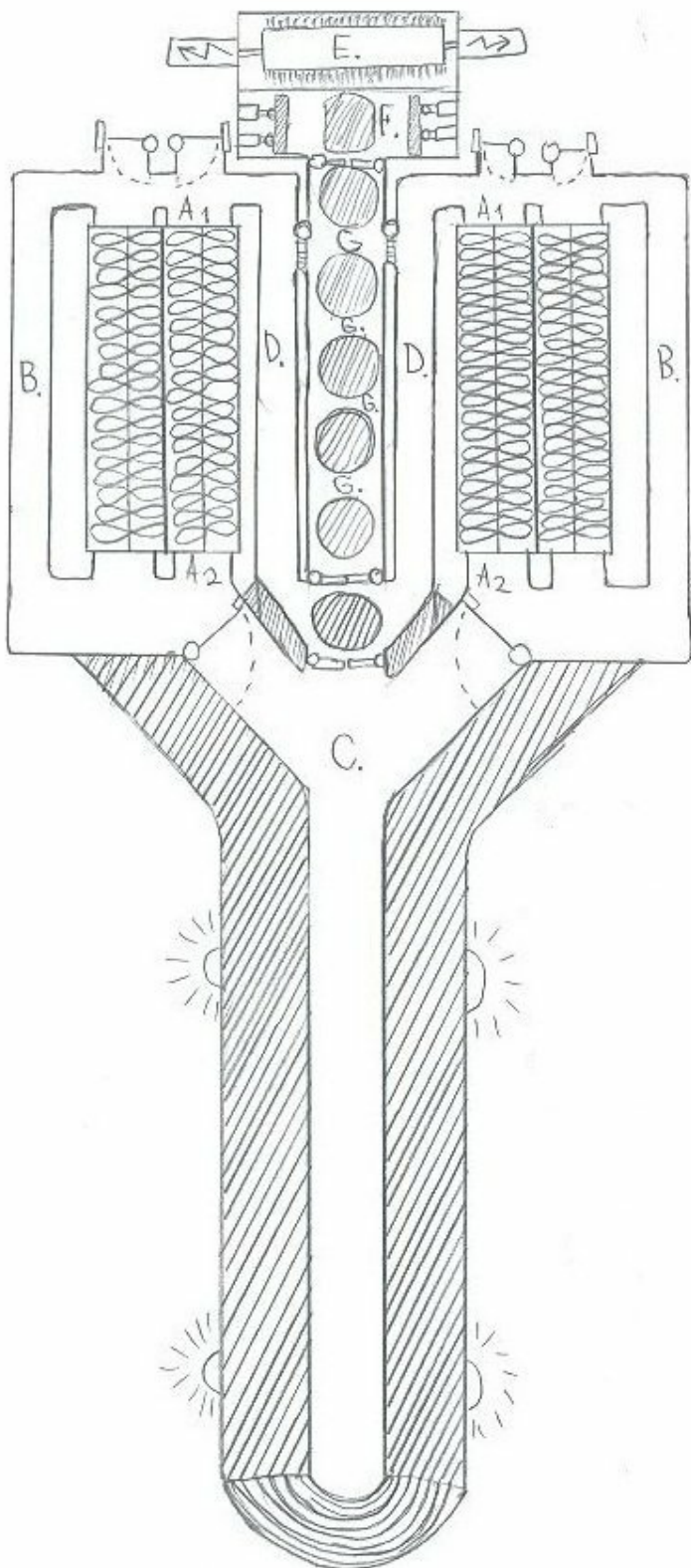
1. Pakistan
2. ID's government
3. Thai Wan
4. Illgaly Unrecognized states

# **The Revolution ID's Weapon's of Mass Destruction**

**Ecological, no toxic, extremelly powerfull than Nuclear gun's !**

**The ID's page of World Security IQ:**

<http://theimperiumofdiamondsgovernment.populiser.com/disscusion/world-safety-security>



**Velocity projectile 200 million KM / 1 Sec.**

**Corporation Android Technologically Intelligence**

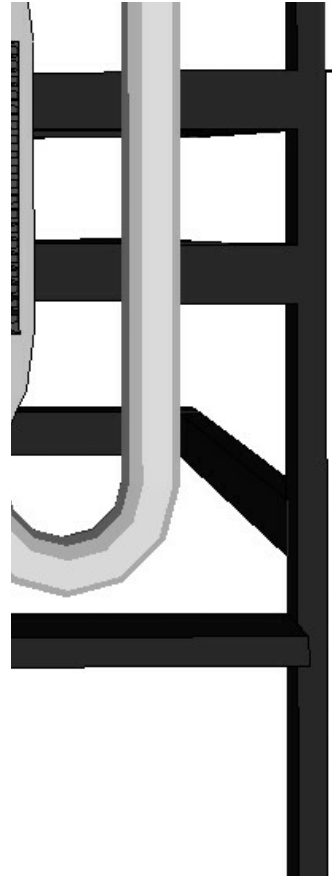
## The Gottwald Wolker fire cannon

- A- (A1 / A2), soak up the atmosphere in the aircraft (electric-generator) turbines. A1 above the atmospheric pressure piston that is created for the release of excess air. A2 discharged back into the atmosphere or the gun and keeps the atmosphere in the hydrological cycle, therefore, to prevent the movement of atmosphere around the canyon, because such a move may be slightly Registered thermo probe and lasers from the enemy.
  - B- Tube for maintaining the atmosphere in the inner cycle turbines. The cycle is based on the ability to maintain the strength of its own energy and example acquire additional energy for its operation. The atmosphere may not be discharged.
  - C- A place in which the center of an energetic clash of flow of the atmosphere and therefore give the possibility shoot a projectile force energy of atmospheric currents. Projectile actually the same rate as the current atmospheric layers. Since the speed must be deducted from the projectile force of gravity. The projectile then flying in the same direction as the flow of the atmosphere when the projectile shape intelligently molded and durable
  - D- Encounter with the atmosphere being formed projectile reversing reflection of the canyon, immediately after his shot. Therefore, the establishment of energy return line, which returns its pressure in the circulatory system and thus causing the displacement of another projectile in the tray. Shifted projectile will be captured in the heart gunshot pressure. Canyon is therefore functioning automatically without the need for mechanical re-charging. Power will remain in the cycle and streamlined because the gun can remain in the same position without moving.
  - E- Internal automatic Production projectile. Raw materials from laboratory internal production. It can be used, for example Safir, silver, metal, stone or other materials without chemical threats. Only legally missiles.
  - F- Internal automatic compression and the heat or cutting of the projectile to a quota of needed dimension.
  - G- Arms supplying the chamber with bullets.
- The sides of the canyon are small short-wave transmitter which is used for communicating with its own system, so that your computer can synchronize data with a system for aiming at the target.*
- If the gun created by 4x aircraft turbines, then his ability to shoot a projectile velocity will be over 200 million kilometers per hour. This means that the bullet can destroy any target its energy and overtake the best aircraft at a distance across several tens or hundreds of thousands of kilometers. And the ability to shoot a projectile must be calculated computers that can remove the risk of collision and the made disasters. In a large proportion of the projectile may lead to a collision that is able to shift the entire planet Earth.*

***Any similar system should not be misused against ordinary people, or for the destruction of civilization !!! Everyone owns the rights to refuse to surrender and to support the opposition oppression or conflict of values.***

**Electro generator**

**Chemistry production of unlimited  
Armo, warming and pasqualization**

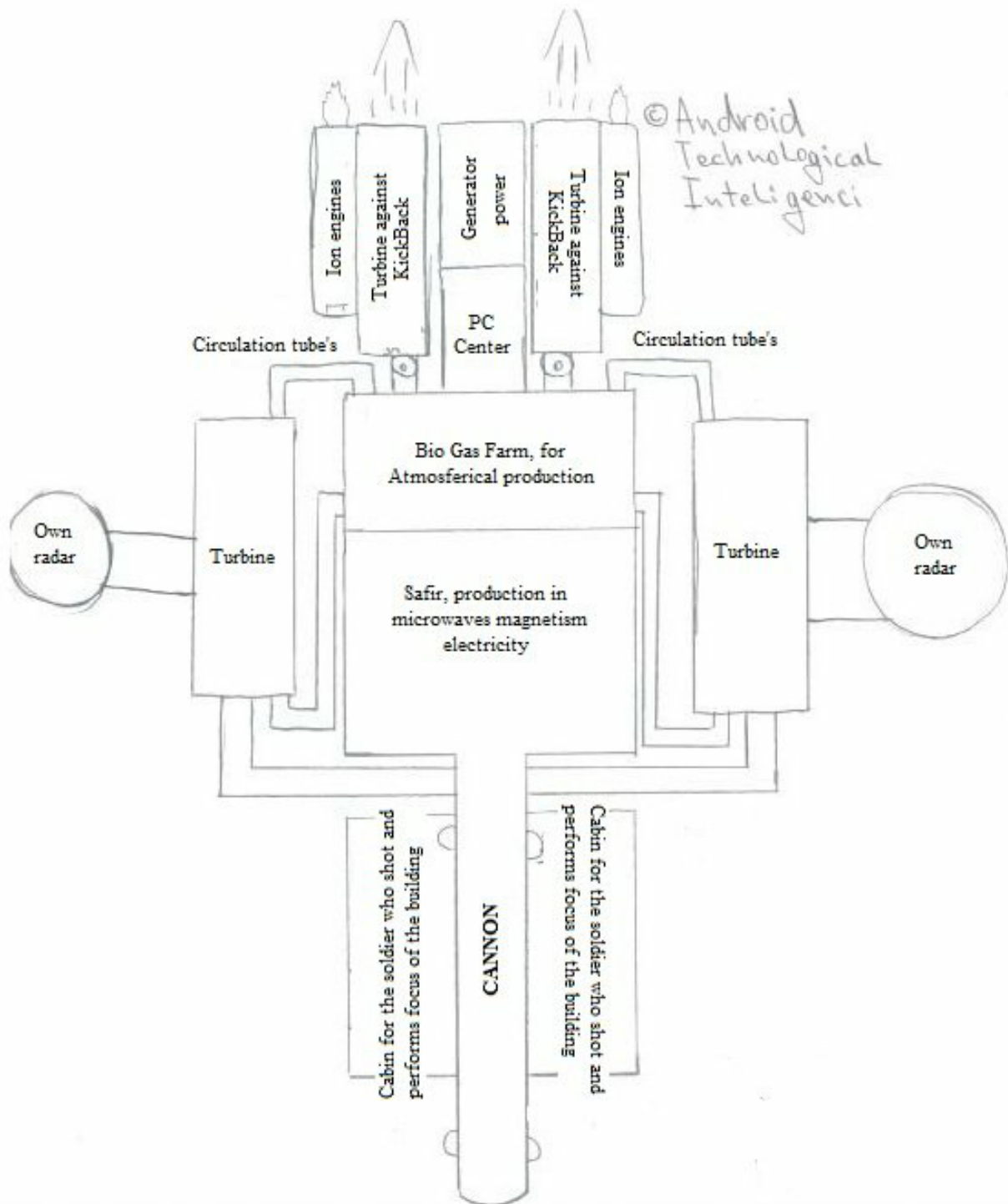


**Bullet's, Projectiles 10KG**

**Airplan turbines  
10 KG bullet =  
3,500,000 km per hour**



# Orbital Atmospheric cannon The GW



## Android technologically Intelligence Corporation

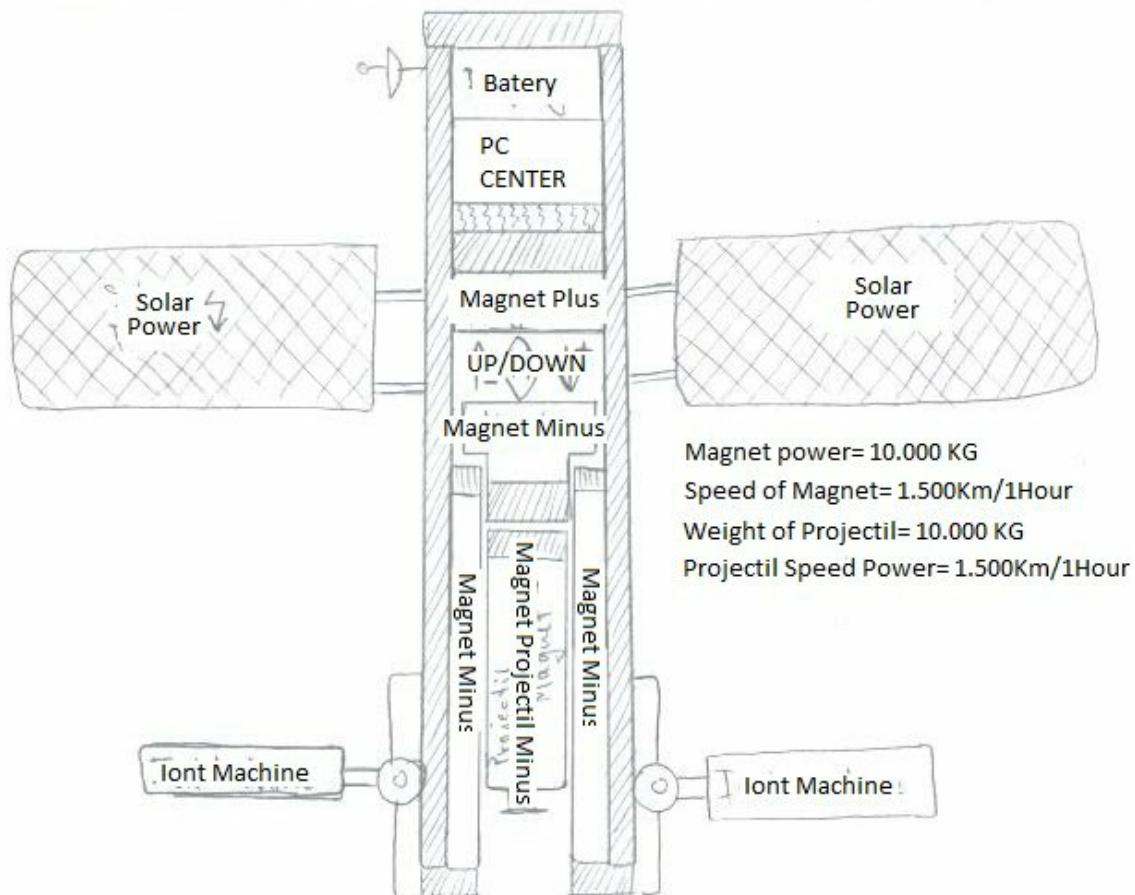
The speed of the projectile can be over 1,000,000,000 kilometers per hour.  
The ability to pick off any position on our planet Earth.  
Nobody can detect the position.  
Opportunity every day to produce over 10,000 gun in one production.  
Every day goes orbital launch over 600 cannon of varying position.  
If the enemy kills one gun, then it will replace 10,000 new cannon.  
If an enemy strikes against us civilization first shots, each of us use sufficient force for immediate response to thousands of times greater power.

# Kinetic Space Cannon

Kinetic power shot

Electro magnetism resistance shot

## Basic satellites for space defense and shooting rockets



## Android technologically Intelligence Corporation

Space satellites as an easy economical weapons which can destruct criminal infrastructure of continental military within few minutes.

Enemy dont have oportunity for his protection or reaction. Territory of enemy is immediatelly under our countrol, and territory is without toxication. Between 20 hours can start new colonization or building of civilization.

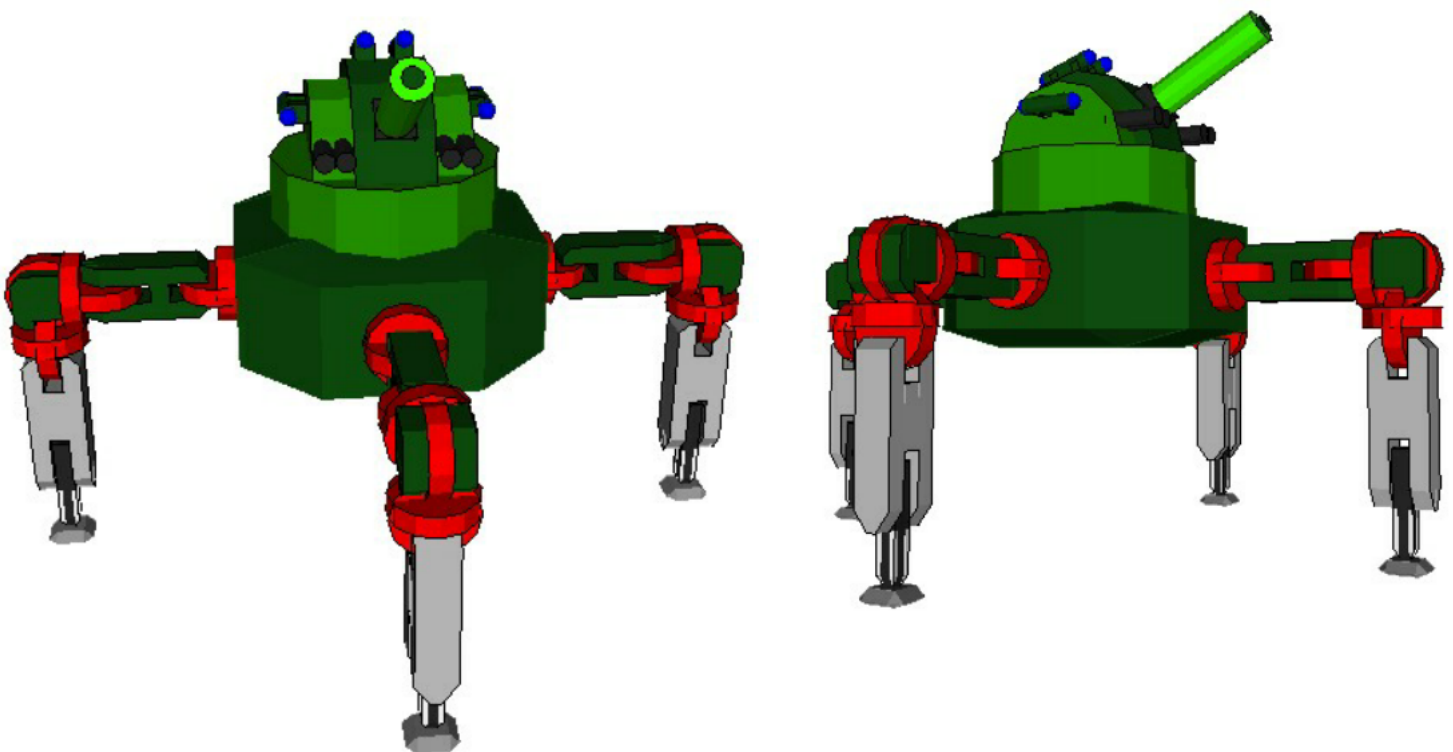
**Oportunity for daylly production, tens of probes from one amateur car repair garage. One probe can liquid continental dimension.**

Document is for Evidence in ID's Federation and ID's GSCPC Archive's

**Protection shields against rockets & missiles, airplanes, spacecrafts, asteroids.**

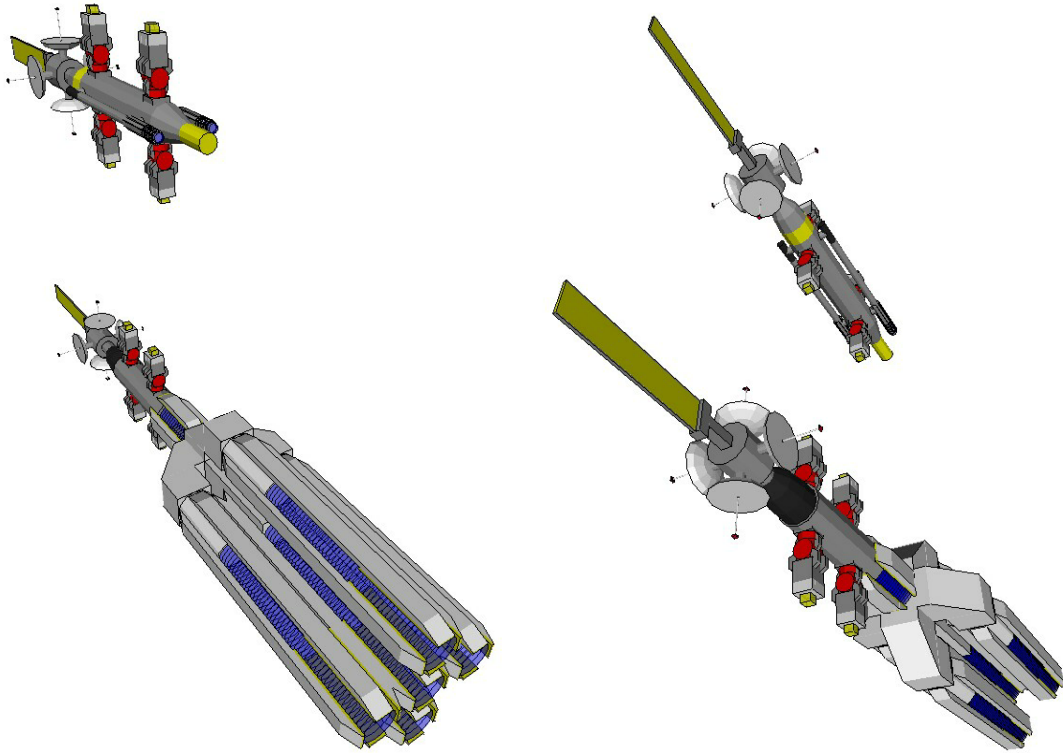
	<h2 style="text-align: center;">The Gottwald Wolker fire cannon</h2> <p>A- Location of the dangerous object with the help of radio communications with radar or with help from the sensor itself. System to synchronize the digital compass needle pointing the gun.</p> <p>B- Database of reported flight and movement on our own doorsteps. Database entity that is not a threat, interactive with drone systems for the control object.</p> <p>C- System for controlling the position of the gun and compute the correct trajectory.</p> <p>D- A system for regulating power turbines and atmospheric energy. According to calculations regulation distance of the target at the speed of the projectile in relativity to gravity calculations contradicts the atmosphere and thermo-like atmosphere. Calculation of projectile capabilities for interactive inclination pathways via flaps in the deary against targets. Hitting the target at a distance of 100,000 kilometers can be exactly on the size of one centimeter squared. The same result is the distance for example over one million kilometers, is enough to strengthen the number of turbines. It is easy to pick off dangerous from cosmic objects, meteorites.</p> <p>E- Ground Laser obektu locations in the vicinity. Ground radar radionic. Optically Radar. Audible radar. Radars that are based on 3D recording capability and skill obektu exact location, orientation. Station for measuring wind speed, barometric pressure sensors with a laser to test the content of the atmosphere and compute power of the atmosphere and wind.</p> <p>1a / 1b / 1c- 1a and 1b is a transmitter for communication to the locality to Internal maybe two meters. The system can be connected with the help of a cable. 1c is a receiver of signals from broadcasting in a short space cube. He calculates the exact position of the transmitter and then will determine the position of the gun for commencement precise flight path of the projectile, calculated according to information from the other sensors and communications space.</p> <p>O-S1 / S2-O- Swivel robotic arm up and down. Use a computer, autonomous.</p> <p>O-k3- Swivel circle 360 d egresses. Use a computer, autonomous.</p> <p>F- Calculation of digital data from the CPU software (point E) and in the interest of data stored on their coordinates that can be detected controlling satellites, in the interests of the interactive encoded and occasional communication system</p> <p><b>Kanon can be placed in free space or on a cellular carriers, jeeps special, special tank, military ship, heavily plane or orbital nest around the planet earth.</b></p> <p><i>Kanon can be interactively and without the need to navigate it. Satellites and radars captures any movement which will then be validated by the system and then will be fired at the targets. System uses its own logistics.</i></p> <p><i>When will be the creation of good cooperation and intelligence in the industry, it may be standard atmospheric cannon production was based on the 10,000 pieces every day of one production zone. The number of production zones can be over several dozen.</i></p> <p><i>One gun can cover their tracks through a firearms area of 300,000 kilometers per one minute. The computer can calculate the slope by the gravitational deflection.</i></p> <p><i>When Increase the number of turbines it is then possible to increase the strength of the projectile and strafing a target on other planets. Instead of impact to within one square centimeter.</i></p>
--	---

**Opportunity for development of the autonome mobile units**



Document is for Evidence in ID's Federation and ID's GSCPC Archive's

# Laser system & Global monitoring camera probes



Global Infrastructure of the Space probes for Camera observation and detection of wanted people, and second probe for laser liquidation of terrorist movement.

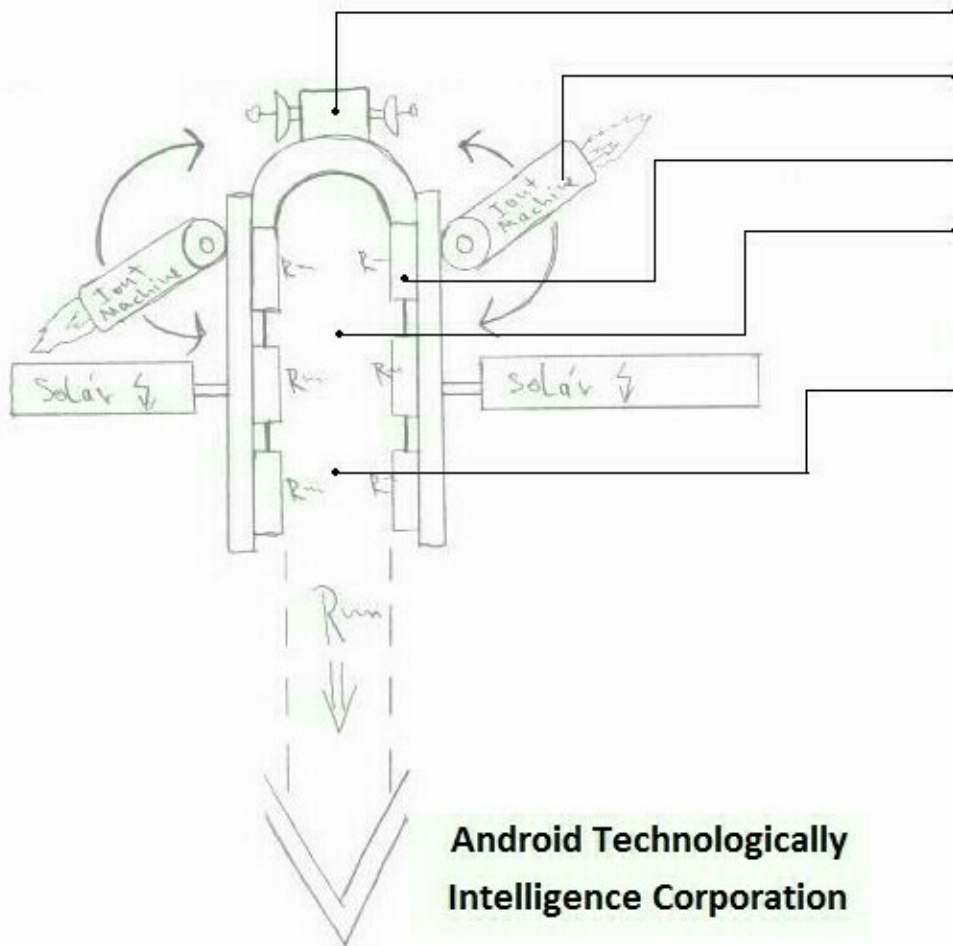
**IQ Center of operations**, ID's Diamond Oasis operation center, 3× underwater submarines for operations, orbital stations & planetary centers for operating Intelligence of Global Security Monitoring.

**Contract N.º: 10**



Document is for Evidence in ID's Federation and ID's GSCPC Archive's

# Military space probe to radio frequency energy from the energy source of wavelength and radio production



Computer Navigation

Ion engines for stabilizing the position

The area for the mass production of radio waves.

Center for the formation of radio waves in common direction and guidance in the form of a laser. Laser may be long over several hundred thousand kilometers.

(Center which can be added the energy from light radiation. It is also possible to add mass production of electrons and other energy or particles, possibly with a stack of several chemical elements. It can be formed by a thermal laser power through 1,000,000 CELSIUM degrees and a length of over one hundred thousand kilometers.)



Laser technologies have special opportunities for act of liquidation all criminal subjects between a moment, and the laser is undetectable be enemy, and today dont exist adequately protection against laser shields.

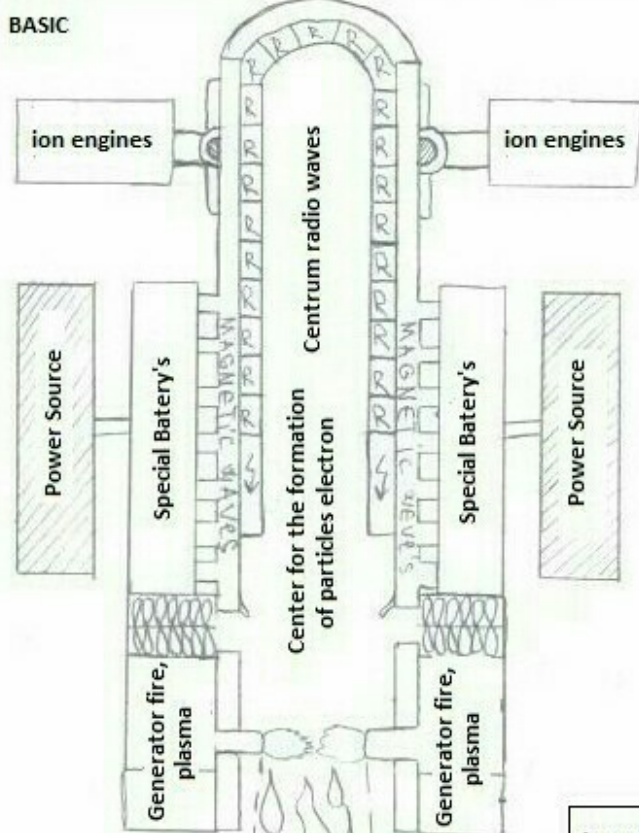
Laser technologies in orbital space can liquid more than 100,000,000 soldiers in one moment, and simultaneously defect the military arsenal, objects and technologies in the area.

Laser technologies can defect natural environment in area of kilometers, and therefore is danger, and prohibyt for such activation, until is adequately need acted according priorities for last defence.

## Opportunity of amateur industrial production between two hours in car repair garage.

# Android technologically Intelligence Corporation

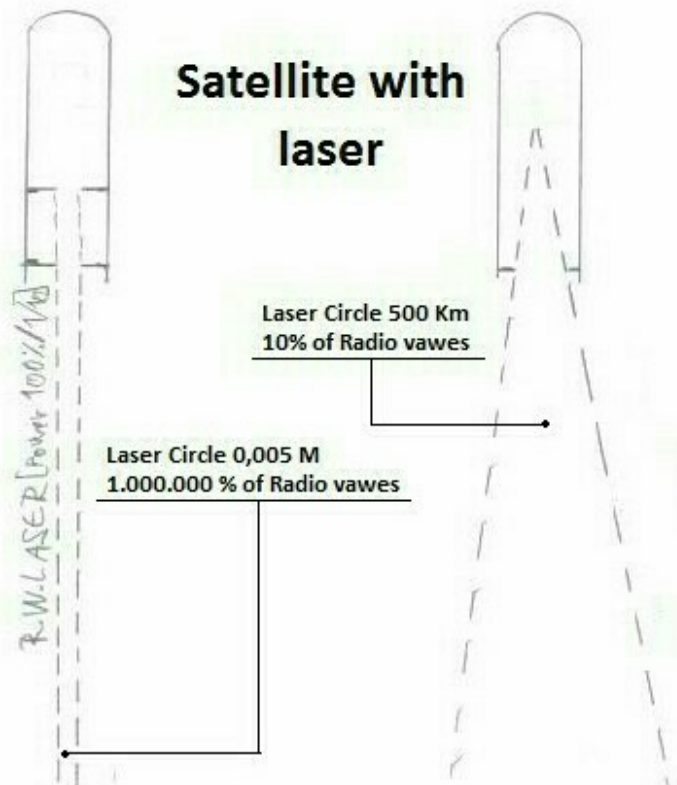
## Schema radio base from cosmic satellites



Laser- Radio waves with the electrons and plasma bubbles  
 Thousand's kilometers long laser  
 Circle with a radius of several hundred kilometers

Laser plasma bubbles that arise from the fire in microwaves are able to create a strong Firebolt. Ball lightning is a natural phenomenon which causes severe fires a strike or energy.  
 If you add photons and other such light energy, then we can create a much stronger system that is able to go through energy shields and immediately destroy any enemy.

### Satellite with laser

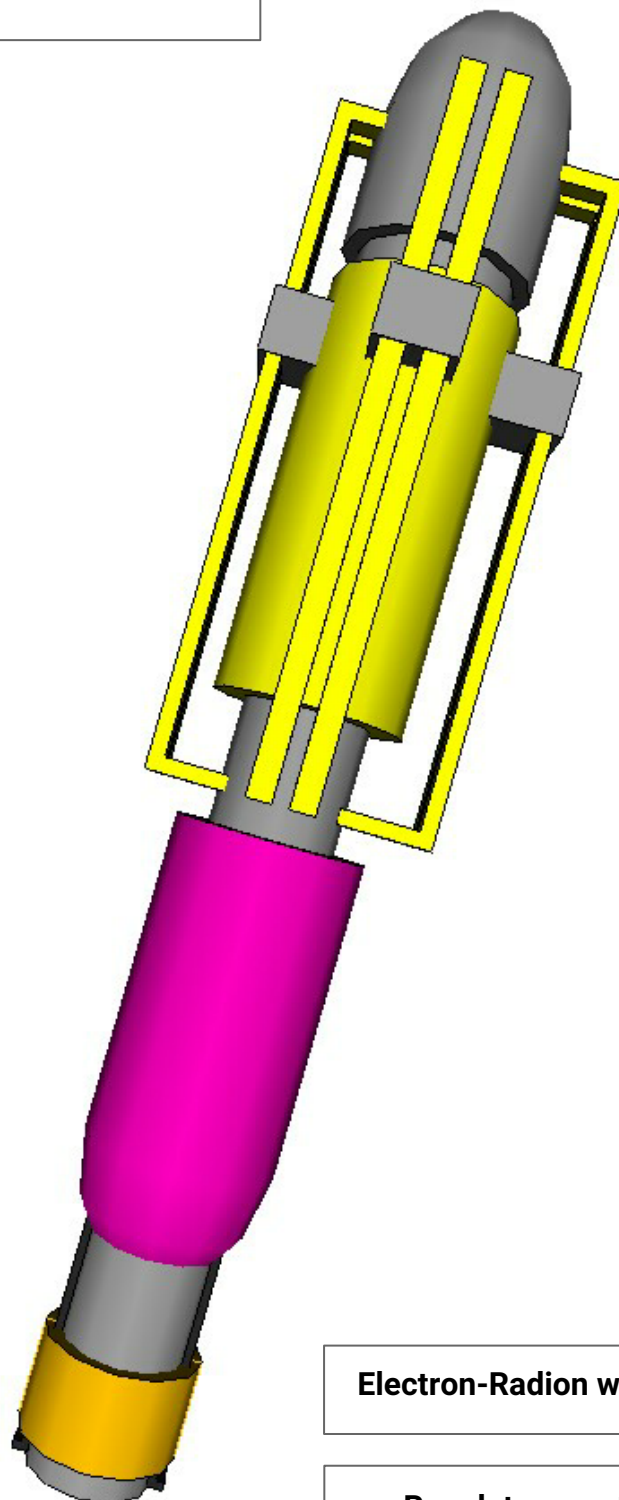


Android technologically Intelligence Corporation

Android technologically Intelligence Corporation

Satellite can be used to immediately focus of a foreign entity. Satellite orbital spaceship can protect nests and destroy any object that moves to its surroundings.  
 The system can easily destroy every object on the planet.  
 The size of the circle can be controlled. Only a broad laser can cause severe fires, the death of around 250 billion foreign soldiers in a single moment.  
 Thin laser may be acting as a blast for individual aircraft or similar rackets.

**Tesla Electro power generator  
Standard 50 TW,  
Industrial production capacity  
open for future Yota Watt's electro  
energies production**



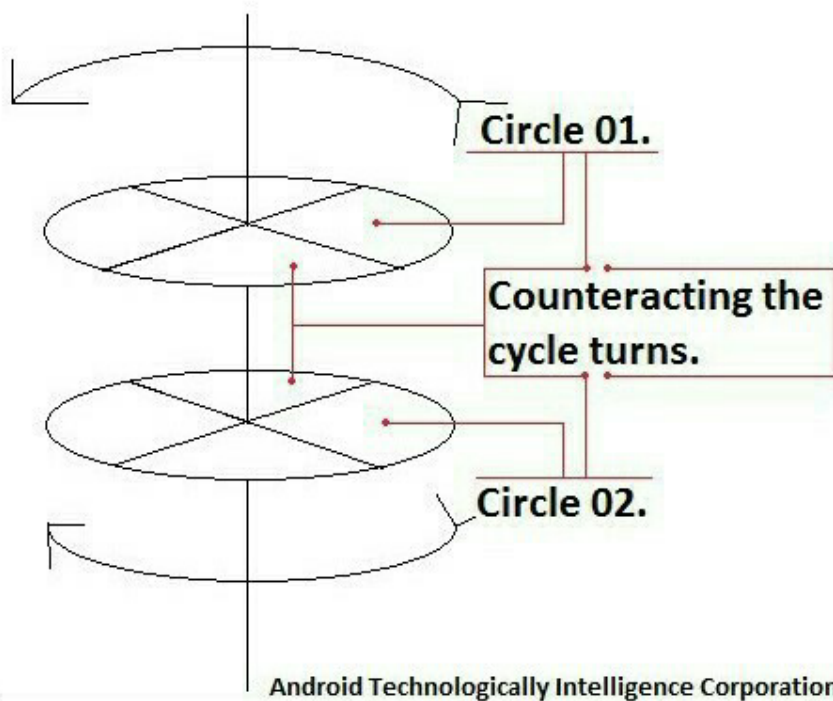
**Electron-Radion wave production**

**Regulatory system of laser  
dimension  
0,005 < 5 kilometers**

# Basic military transport aircraft to travel into space.

If we will want to create a space infrastructure, then we must take advantage of our prediction that the enemy will seek to destroy our infrastructure in space. Therefore, it is nejelpsi to prepare and use of more modern technology to transport us into space.

The technology is based on a more powerful power than the kinetics of the diesel, the force of gravity and balance sheet aircraft.



Two circles that spin. Each circle has its edges positioned in the magnetic space. Space levitates in magnetic rotating body that is able to be at an angle of two ring at one point. At the same time, the rotating body can hit the circle, because it moves. Every beat is a new shift.

## The blow to the circle, Number 1

Document is for Evidence in ID's Federation and ID's GSCPC Archive's

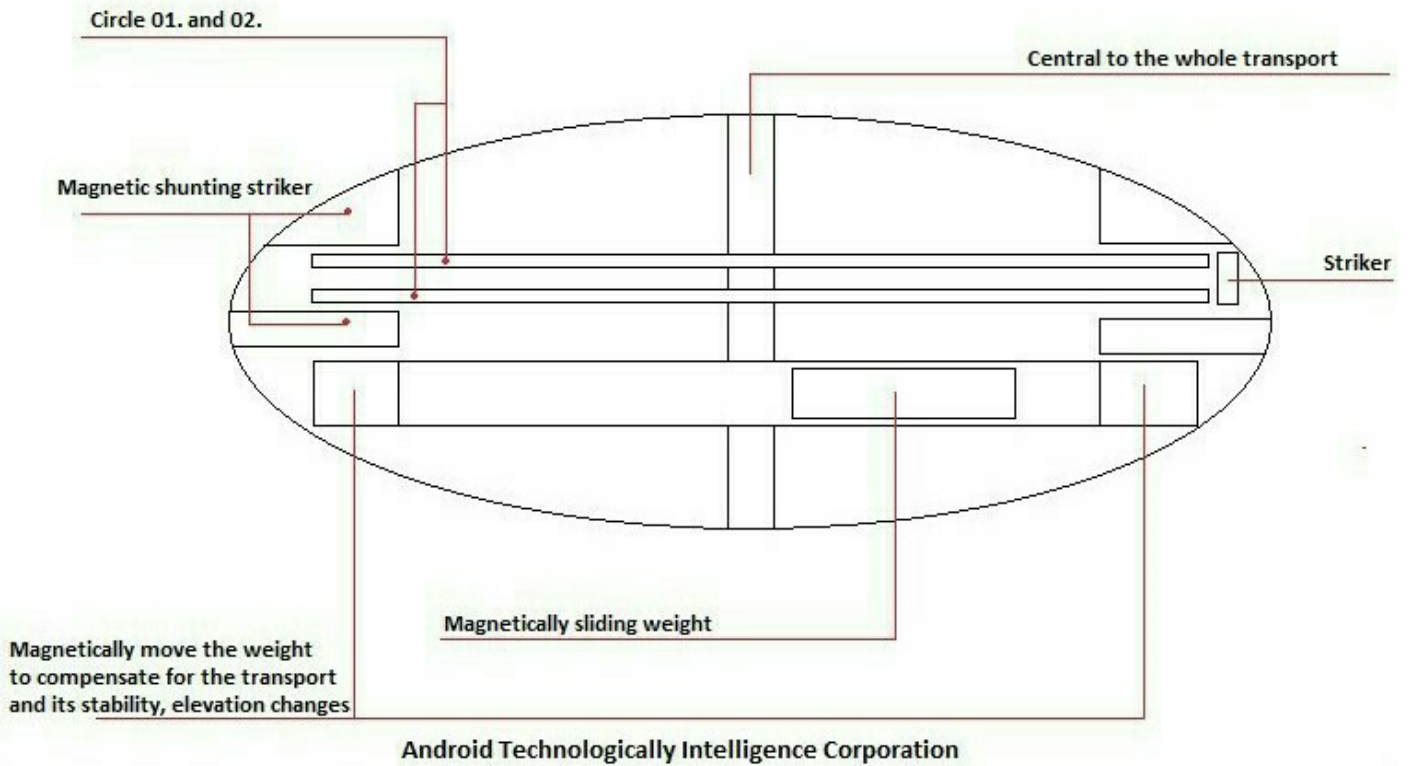
Encounters strike force from both sides occurs in the center of the circle. In the center of the circle is the main ring fastened on a transport means. This means that the forces will unite together and will continue angle who is one half of a common direction between the lines, quite justified in dropping from position to position and engagement in the energy center.

**Android Technologically Intelligence Corporation**

Document is for Evidence in ID's Federation and ID's GSCPC Archive's

## The blow to the circle, Number 2





The speed of rotation of the circle. To this must be added weights circle in rotation. Then you must subtract the weight of the entire machine. The final result is a fundamental value of the speed of such a machine. The resulting speed must be in the first phase faster than the strength of our Physics gravity. Therefore, we must subtract the gravity from the Physics strength of our power rate of such transport. The final number is the result. The end result is the velocity of power which is again repeated by each blow to spin circles.

In the space of a height of over 10,000 kilometers from the surface planetary free space. In this position, it is not necessary to decelerate due to gravity. Transport faster and faster.

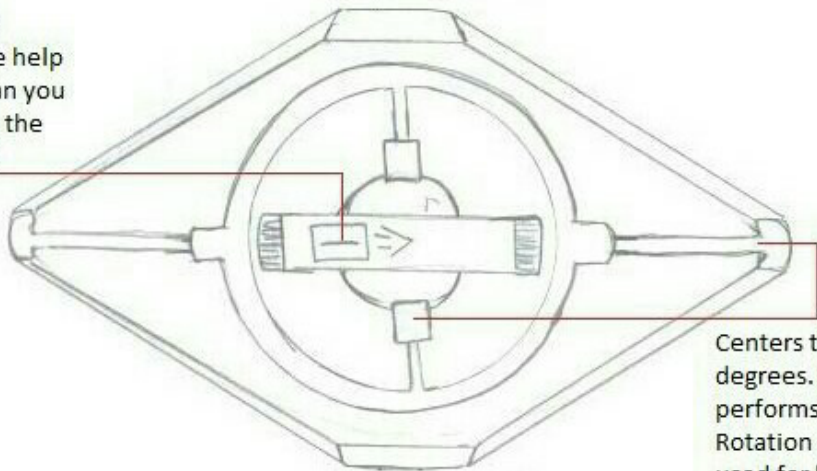
The blow in the opposite direction acts as a brake.

My other projects which use a similar type of engine are based on the combined technology and energy. My projects are based on the ability to create speed through kvintilion kilometers every second.

The technology can transmit bombs, spying, strafing enemy to shoot down satellites and others.

It is necessary to be that European governments and the country or the US, they may jointly possess many similar type of aircraft. Therefore, it is good to prepare. Good atmospheric structure and radar gun can shoot their technology if they will support terrorism against our group.

Weights which is movable with the help of magnetism. Can you Weights to move the whole transport.



Centers that are rotated 360 degrees. Rotation of the motor performs navigated electronically. Rotation system construction is used for balancing stability and change of direction. Direction can be changed immediately, immediately, and in any direction.

Document is for Evidence in ID's Federation and ID's GSCPC Archive's  
**Android Technologically Intelligence Corporation**

System for transport can be fully automatically. System may use their own computer which determines the movement by GPS navigation capability and record the movement of the enemy.

## Electro Magnetic Wave Bomb ID's ©2000

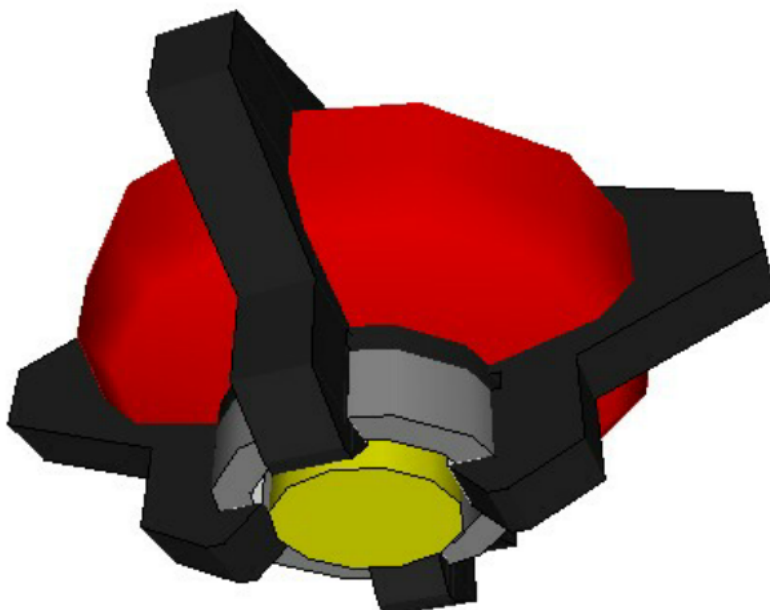
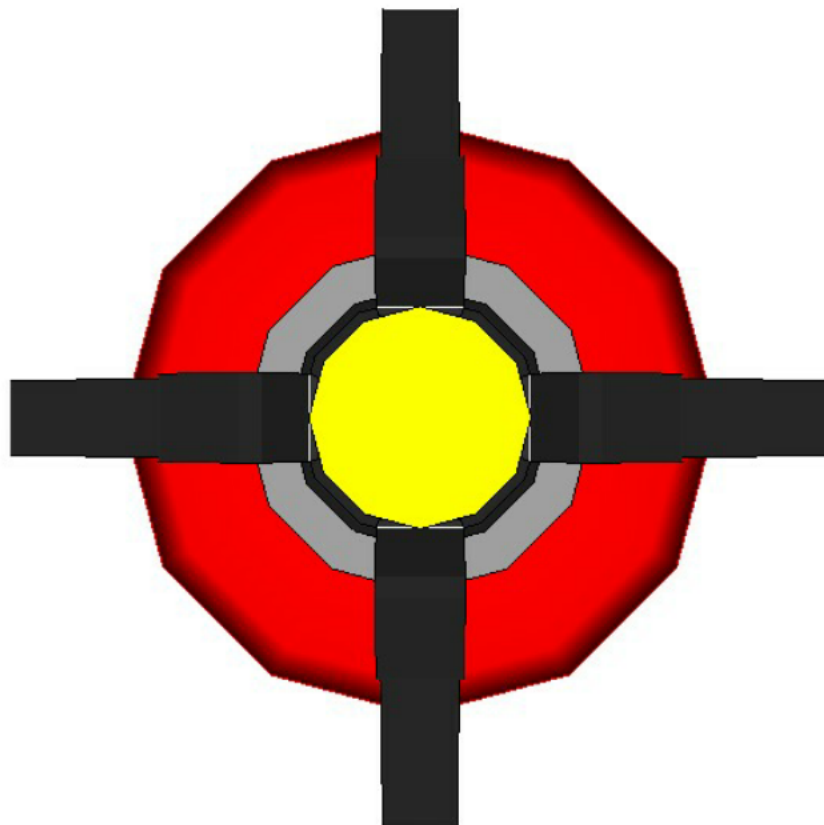
Electro magnetic wave which can create disfunction of electronic technologies for distances of 500 kilometer's and support long time civilizational desorientation, lack of economical development of enemy side, and minimal oportunity for control of population.

Technology is designed for instalation on the special flying disc which can use computer for autonomous function, and oportunity for flying around Earth between a few minites.

One flying disc can stop function of every electronic system's on planet Earth and our orbital space.

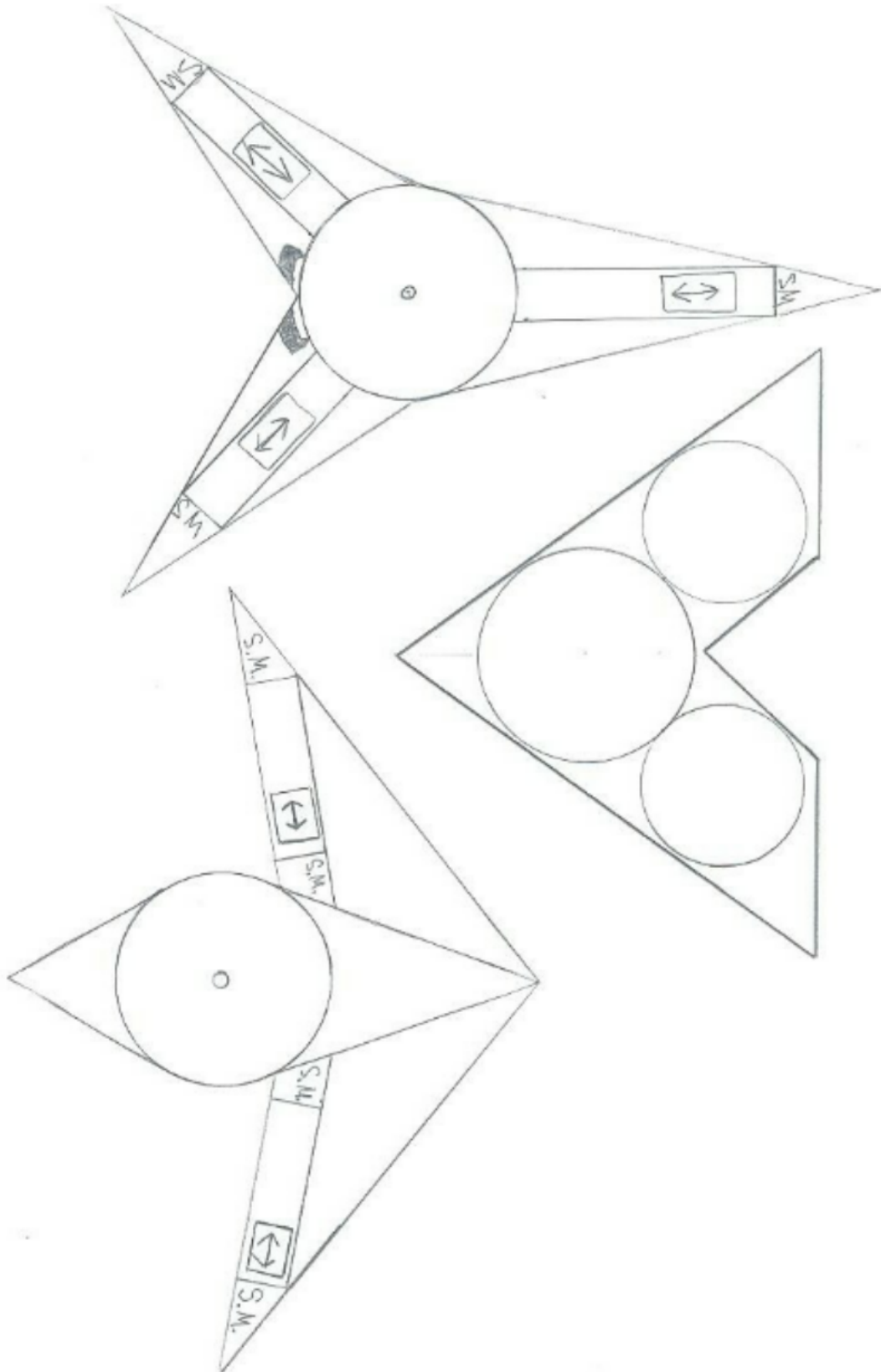
Oportunity for amateur production is capacity of ten's of disc's every day.

Document is for Evidence in ID's Federation and ID's GSCPC Archive's



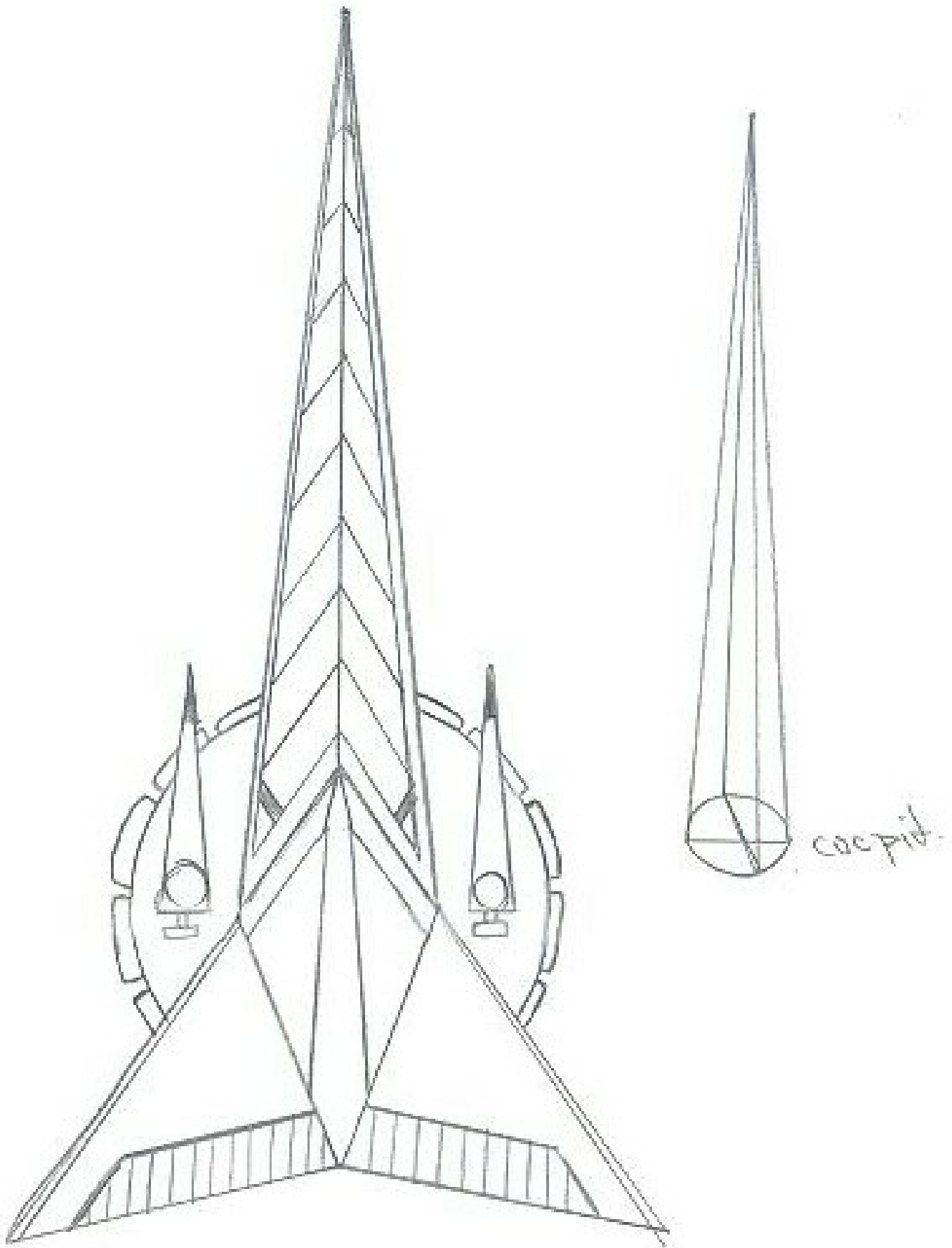
## Galactic craft, speed High-up of LY

Document is for Evidence in ID's Federation and ID's GSCPC Archive's



Special space craft for interactive maneveurs and space operations, between galaxy traveler and high speed oportunity. Technology is easy for industrial production and practic use. Between galaxy travel in minutes.

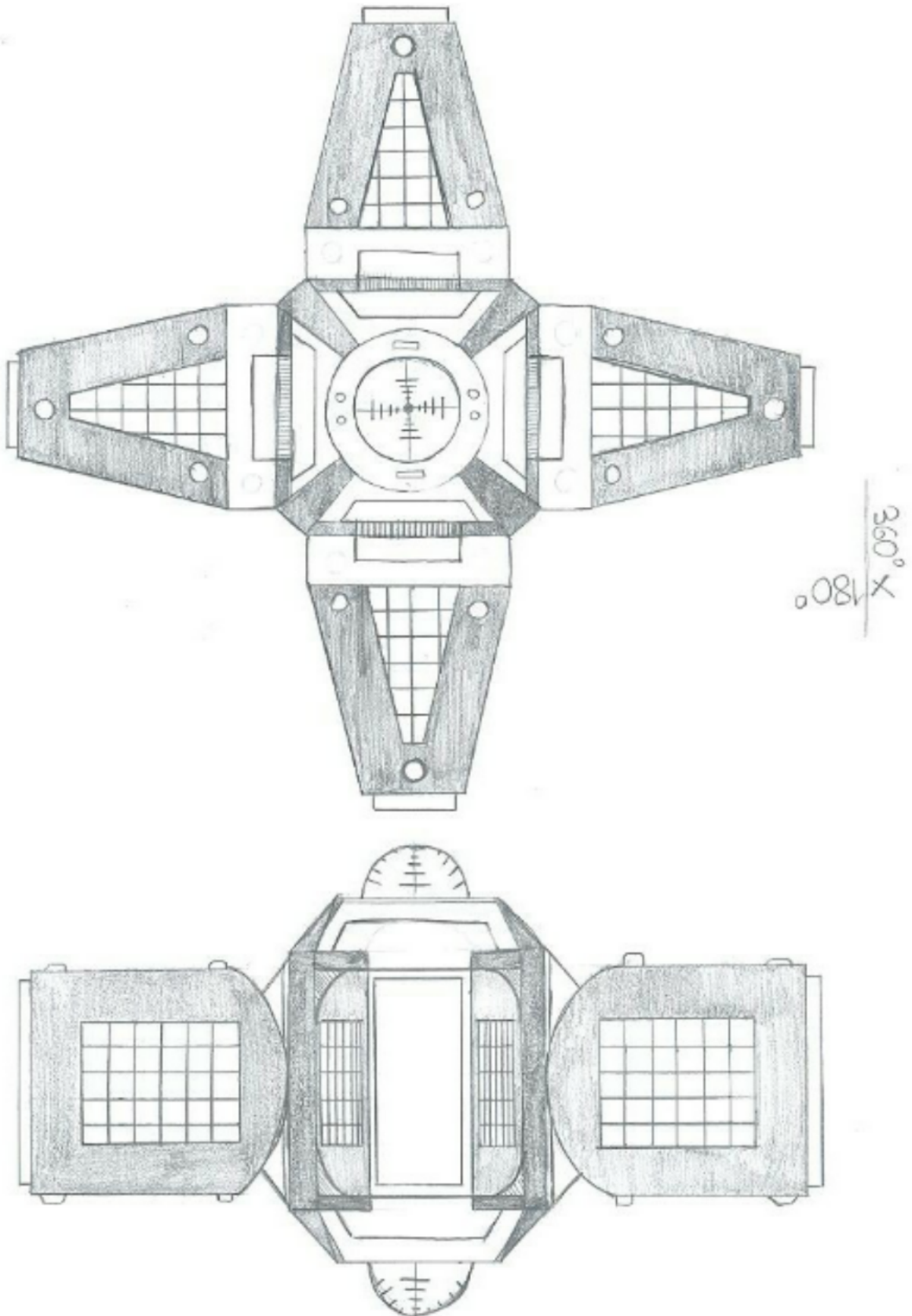
**Bonus Mission, kidnap from blocation and safe all central people, is priority of cooperation (special bonus contract)**



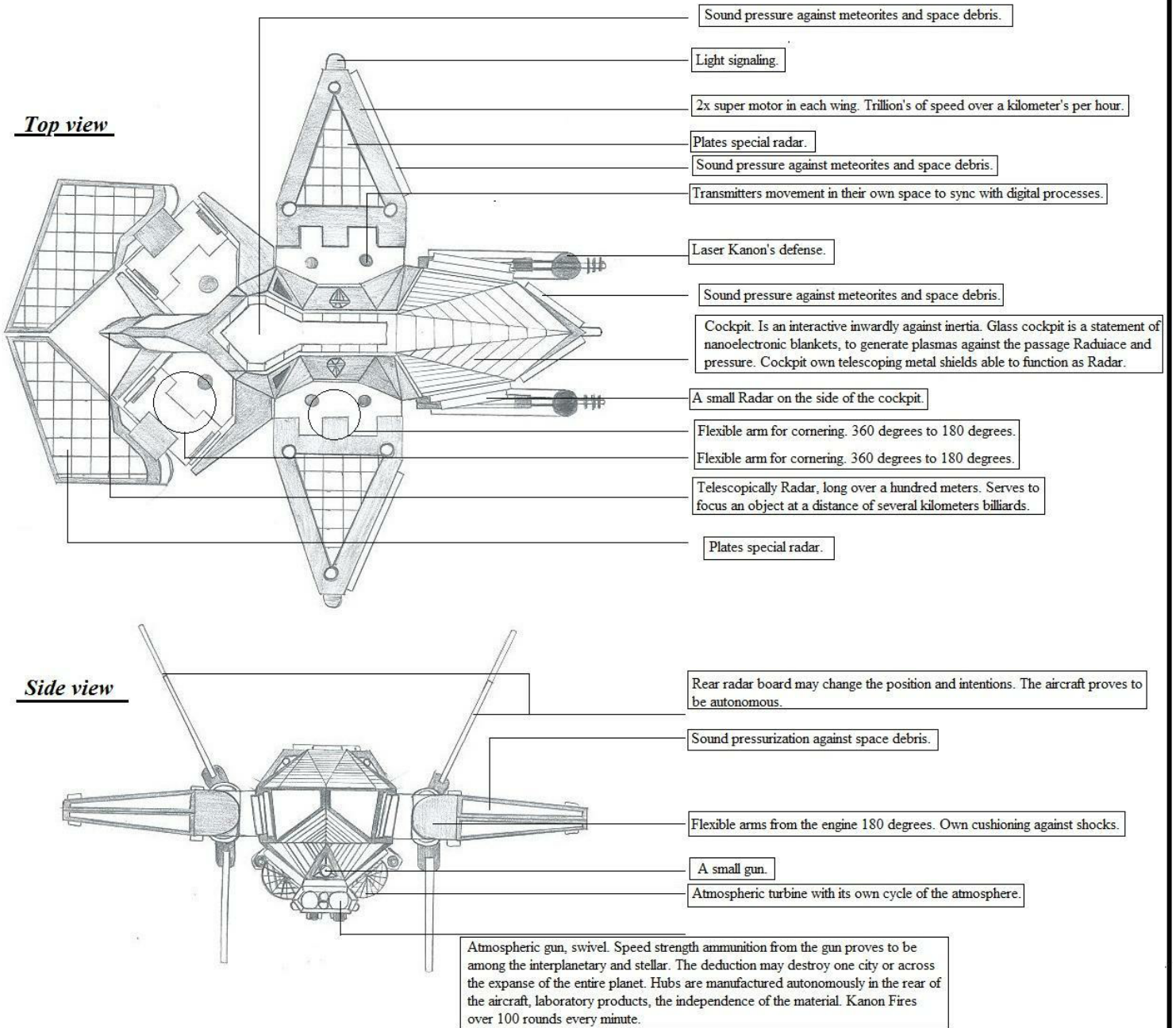
The Technology can have opportunity for travel between galaxies, and start operations of planetary control or protect colonized areas or space centers and territories.

## Space probe with transportation capacity, research space craft

Cosmic obe which can control space and observe space objects, mapping and control move in the galaxies.



# The Fired „BUS" Biss



Special cosmic fighter aircraft is designated for political security interests worldwide cooperation. In the interest of ISC, subsequently, in the interests of international territories The World Diamond, terrestrial and cosmic territory, is based on international sovereignty. This means that the aircraft will be used only for projects global peace and security against the enemy.

The aircraft is built, therefore, to prove destroy the alien ships and enemy of civilization over tens to hundreds of kilometers in their area. One aircraft is capable of using one strike to destroy a city with an area greater than that of Paris, France. Standard full-size space destruction is over the size of one planet.

The plane is small size, can be regulated at 10 meters to 10 meters. The plane actually many systems in the digital modification. Security, navigation system movement in space, synchronization with space, with the ability to close-up focus any object at a distance of several light years across and intrinsic charge of its own cannon digital system can shoot down any object. Computers can synchronize with digital computations from maps for traveling in the area over several quadrillion light years around, and much more. The journey can take just a few minutes.

Some aircraft may be adjusted to a special function which is based on a system of anti-radar defense with the help of a special Shield Plasma energy. Similarly method or other systems, optics and visualization can create an optical cloaking the entire system. Fighter aircraft will then be invisible. System owns many other technologies.

One airplane can be in the system of modern industry made in the range across several thousand pieces every day, in one factory. It is necessary to create industrial production in the interests of intelligence. Engine production is necessary to create a special apprenticeship course. A person must not, without good qualifications to work in such a motor. The engine is strong, you can create a disaster.

The aircraft is not for sale for standard session. Trade must take personal agreement with political office and documentation in the interests of international rules and the proven ability to maintain security in place for international cooperation.

One year is designed for two passengers, soldiers with training. The aircraft proves to be autonomous, without requiring navigation. The aircraft can be navigated by artificial intelligence which is based on digital linear system of attack and defense or the use of a weapon system to attack.

## Android technologically Intelligence Corporation

[www.europeanpoliticalprisoner.mypage.cz](http://www.europeanpoliticalprisoner.mypage.cz)

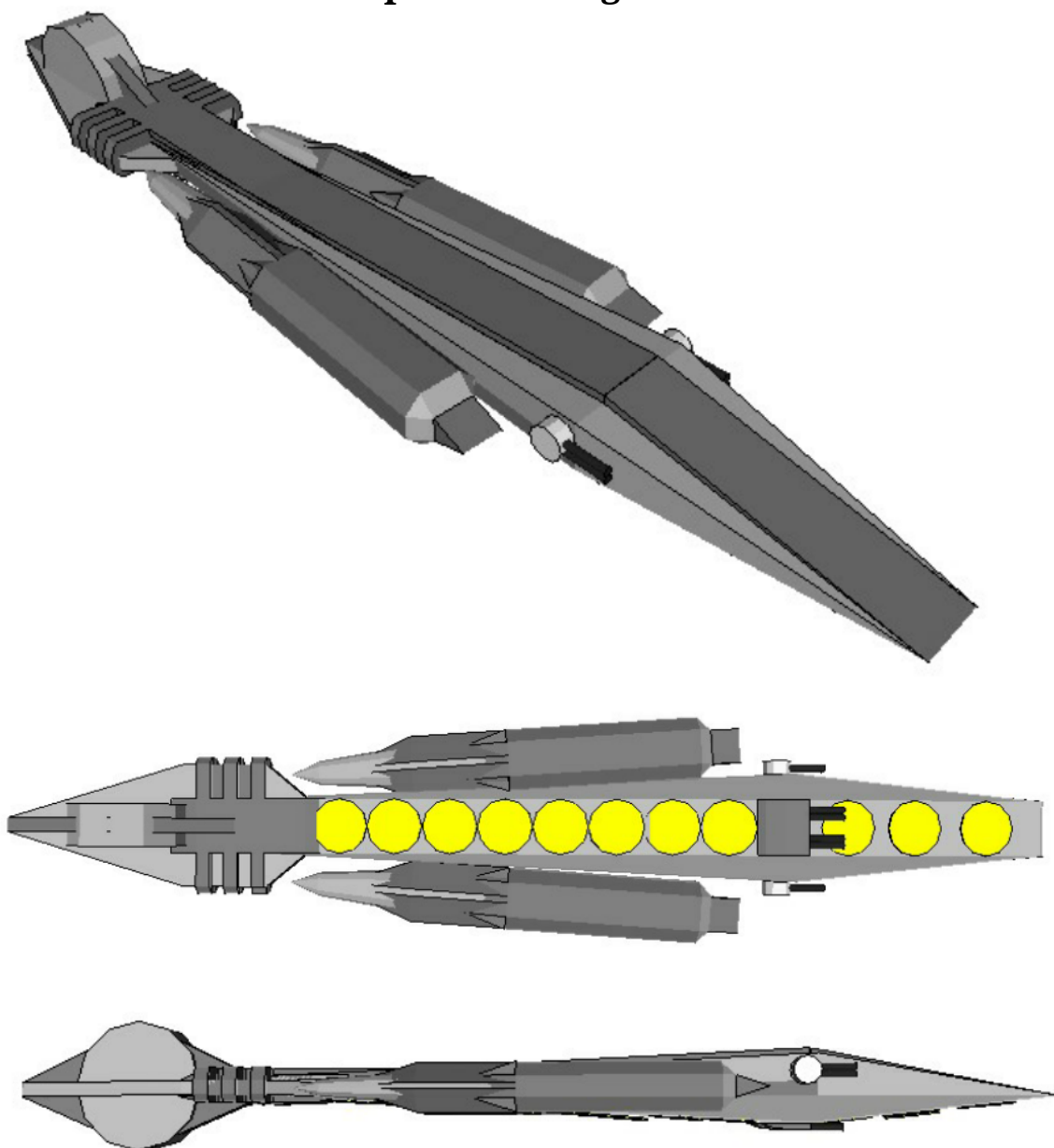
All kinds of similar technology, the ability of mass destruction will be used in international sovereignty The WD at the same time the World Security Council The WD WD, and according to the constitution or in the interest of ISC, with a view to democratic political council under a system of law and the rules of safety. Technology can not be used against innocent humanity. Any mine technologies are safe. Anyone who initiates any similar technology to manufacture these without permission of my people, he must be punished to the electric chair.

*The other type of atmospheric cannon projectile will harnesses the power of kvadriliard worth several light years in a few minutes. According reality and really physics.*

*With love from around the world and pride.*

Document is for Evidence in ID's Federation and ID's GSCPC Archive's

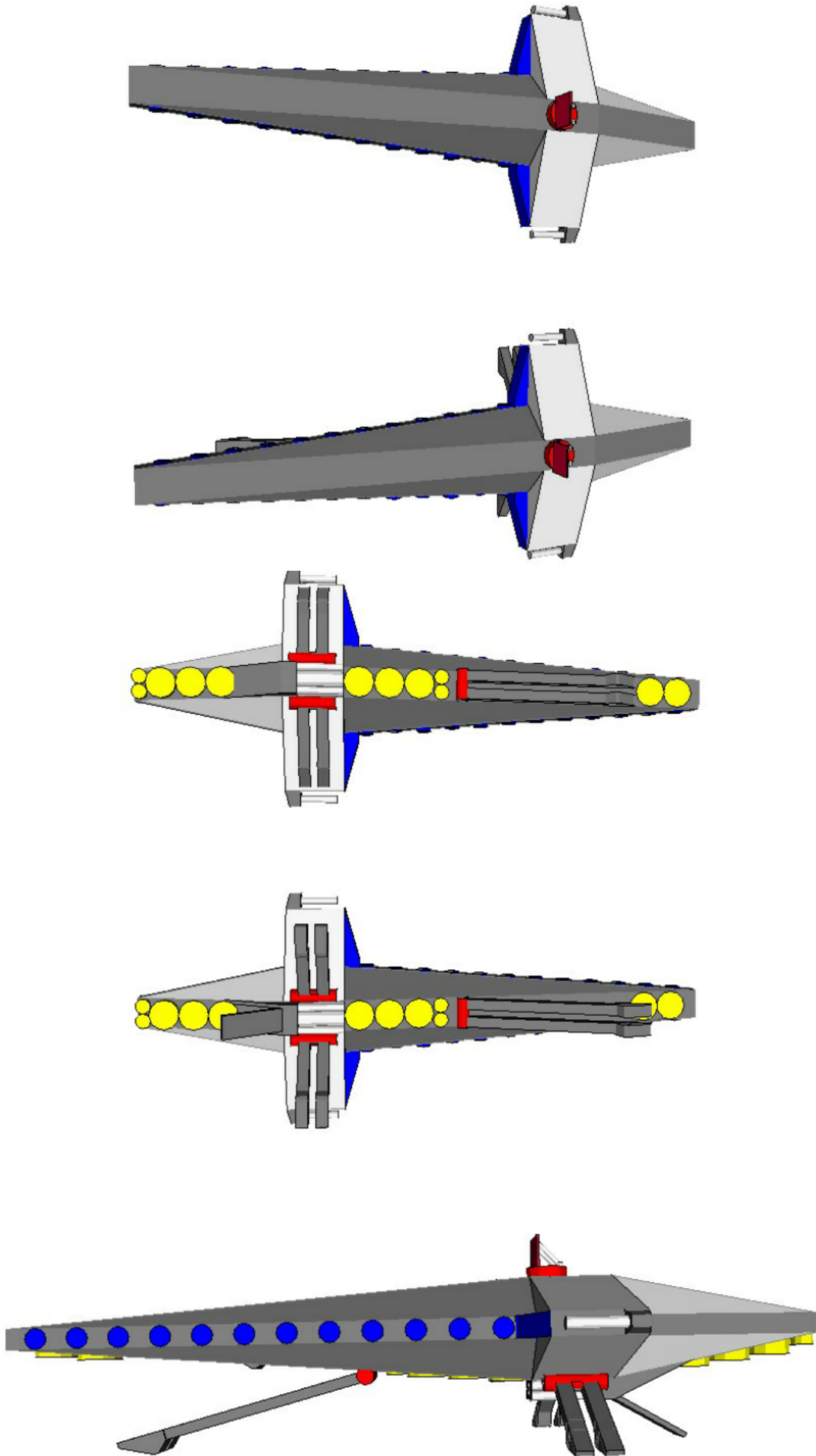
## Space Craft fighter



Space craft machine, autonome space fighter, between super cluster of galaxies traveler, speed oportunity can expand power of Infinity LY per on second. Reall engines, real technology, real mathematical plans and laboratory tests.

Some of the Space-Crafts can use special technologies for planetary liquidations. The space craft have speed of the Billion's Light Yer's per a moment, oportunity for navigation between two positions per centralized dimension of atomical perimeter of maximal difference, oportunity for targeting space object on distances of billion's LY, and use rockets with speed of trillions LY per a moment. The rocket can create full planetary destruction and liquid whole space of area.

## Passenger & material transport

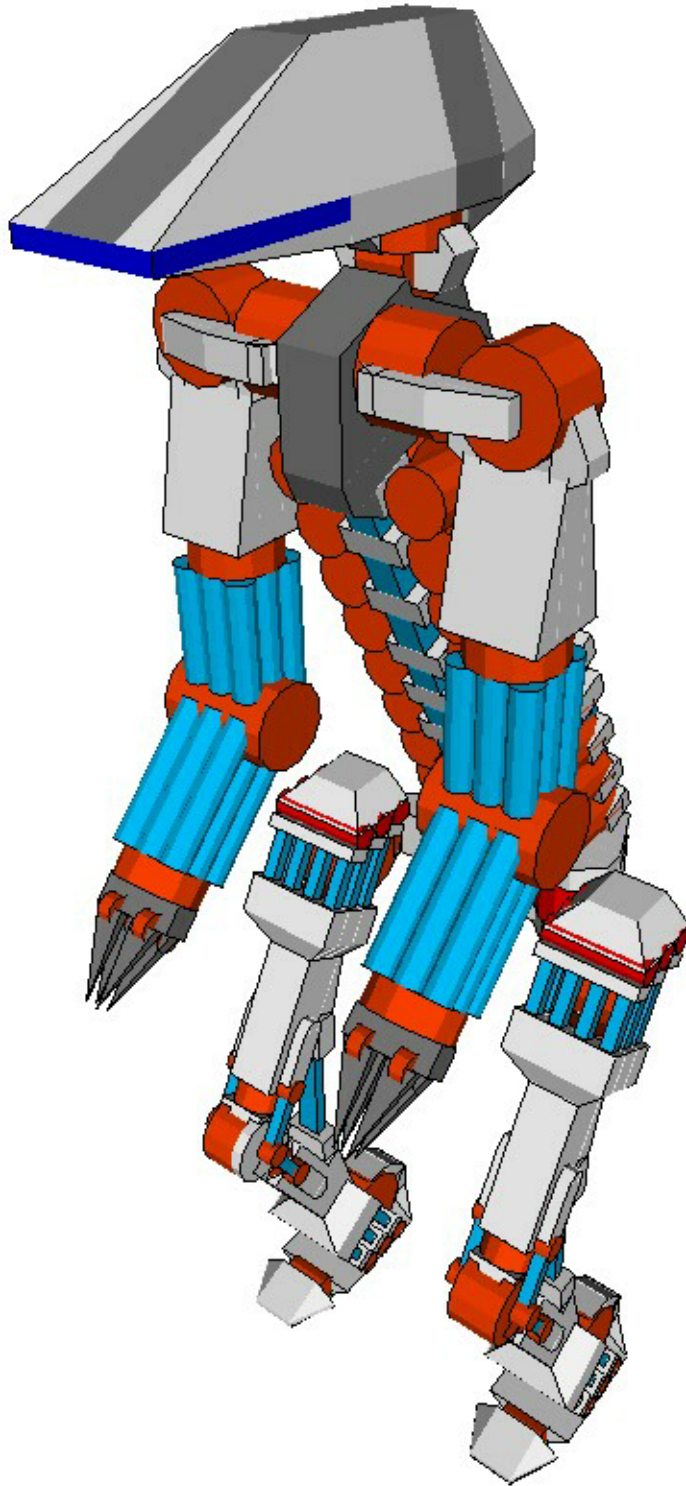


**Open opportunity for space infrastructure development.**

Document is for Evidence in ID's Federation and ID's GSCPC Archive's



## Industrial Robots & Local Security Guards



Android technologies, autonomous mobile unit form, intelligence of military protection or industrial development, open for strategical use in Universal Civilization Ships and Planetary centers.

Unlimited number of workers and industrial production abilities.

---

Mass destruction technologies can only be used if the terrorist body refuses cooperation to stop the conflict and the practice of crime, but this crime can not be stopped in any other way than the use of weapons of mass destruction, and the execution of these crimes is unlawfully damaging federal rights.

The Weapons of Mass Destruction is open for use, in case of legitimed right, and protection or response for acts of crime against central key people or groups of Federation, Federal interests or claims and rights.

---

## **When is International Order in legitimed function, we don't plan any use of such technology weapon's.**

---

If there is a defense obligation involving the use of weapons of mass destruction causing civilization destruction, and at such a level that full civilization bankruptcy and state extinction occurs, then under international law it is not forbidden for federations to use these surviving territories to establish their own sovereignty.

That is why the King, on behalf of the Federal Government, issues the right for groups with membership in the Institution, groups that are based on a capacity of more than 10,000 recognized as a movement, for the purposes of enabling them to establish their sovereignty in the form of administering the province of the fully unified territory of the Federation. The first right belongs to the claim of a group that has secured the liquidation of a terrorist entity and has reached a victory, and thus is also rewarded territorially.

Unless a group that is based on a sufficient budget capacity of 10,000 people is found, federal development law will be granted in the form of the federation's local Micro States, and this will achieve state stabilization performance.

When the act of liquidation of a terrorist entity is reached at the full level of its existence, the autonomous relationship of the result of a common conflict will be confirmed by the right to found federal sovereignty over the surviving territory and therefore due to the effect of the international budget of collective loss of population and civilized losses, than federal development, new space of population increasment and robotic production, meaning the possibility of several times the number of population replacements, but also economic and civilization development, and therefore this process and outcome can never be labeled as lossy and irresponsible or appropriate to discuss criminal responsibility.

For the purpose of expressing itself at an international level, the Federal Government, the Imperium of Diamonds, possesses all the necessary rights to confirm its own legality and to hold this statute as a semi-governmental entity of such an international status.

The federal government therefore has full rights to expand, to use its own territories and its own interests of civilization and law development.

If any one people rise to the purpose of damaging these rights and claims of the Federal Government, then in this case we will be entitled to open the defense by all available means.

If international dissatisfaction, intolerance or other irresponsible decisions and corruption are caused by situations where international standard legal security processes can not work, then there is the last possibility of self-defense of states that have their rights and justice on their own, and they are forced to do so steps of self-defense in the use of weapons of mass destruction, and thereby achieving the success of the destruction of a terrorist enemy.

In this case, if the international system is not capable of a legitimate responsible function, then this factor is at the level of global damage to the global political system that is criminally responsible for the level of Global Terrorism and the forms of the greatest treason and crimes against total loss. This means that in this case, full power, there is a genuine reality of the use of weapons of mass destruction and a step towards the destruction of all the crime entities that cause such crimes of destabilization of the world system.

This step is not a crime; this step is not a kind of terrorism, and no one has the right to protest or hurt any of this, and to try to prevent it. Everyone who has allowed the spread of crime to a level of global destabilization of rights and forcing legal entities to develop them to the level of self-defense interests in the use of weapons of mass destruction needs to be punished.

This confirms that today we can not live in a world where everybody stupidly and poorly extends the intelligence of international law for the purposes of peace and justice because such intelligence is more than six hundred years of life in the world, but the real and responsible exercise of these rights is not functioning and responsibly active as intended and created for performance.

Therefore, if anybody is interested in extending our world to the purpose of peace, justice and freedoms of states in the stability of international law, it is necessary to always stand up and firmly confirm and start their own opposition against all the groups active in crime and the destabilization of the world system. responsible action is taken to eliminate all the people who are injuring our world.

This is the responsibility of the exercise, and that is why this document is based on this, and so there is an entitlement to this performance. It also means, and it is responsibly affirmed, that anyone who stands up to the purpose of avoiding this power and how he tries to block, crush, censor, restrict, limit, abusive, suppress or otherwise influence such performance; he becomes a person of global terrorism, and he must be fully liquidated and responsibly punished.

The opposition to stability and the responsible function of international law means an act of global terror, even if this world destabilization exercise is declared by all governments of the world, because this act can never be legitimized and damages all the principles of equivalence of each individual and state as well as permits this act, nations, states and groups, any authorization for the proliferation of weapons of mass destruction, and therefore achieve the success of their own legal claims and justice under the applicable statutes.

Damage to one's rights is always only a crime of crime, which means re-affirming the irresponsible function of the international system, dividing several international parties, and causing the threat of conflict at the level of world wars to the extent of standardization of civilization liquidations.

# **!! WARNING !!**

**Past page's doesn't contain explicit theme, criminal support or organizing terrorism.**

**Documentation is legalized under International Law and principles of policy between states.**

**If You are don't understand in Legal Law, please You ask for Your Advocate before You act reaction which can meaning act of crime which is punnishable and only strengh a need's for expand powerfull position against enemies.**

**Is nice to live in a clean world which autonomously prevent to a need's, of WMD's development.**

# **!! WARNING !!**

---

## Primary Documented Act on Federalization

---

**The agreement allows the federation act to be valid only by the Act ID's first phase of the federal unity.**

A state, movement, or party is interested in federal co-operation with the Imperium of Diamonds, and will continue to do so peacefully and with legal responsibility.

A state, a movement or a party is interested in accepting bidding as an ID's federation means;

- ✓ On behalf of the federation, the unification of the parties' representatives and the gain of the political position of the government.
- ✓ Profit of an independent territory on conflicts of the movement, and enabling free development according to its own rules.
- ✓ Use of the Federal Territories for the establishment of its own independent network of movements, and the possibility of independent growth in the form of civilization.
- ✓ Opening of the Federal Territories for Movement Members, and Development of a Common Economic Network.
- ✓ Joint development of armies and common security protection.
- ✓ Development of joint health centers and hospitals.
- ✓ Ensuring the development of joint education and training in an independent country.
- ✓ Developing New Territories on New Planets.
- ✓ Independent

**The subject of Federation understand and have all respectability for federal legal operations:**

<http://theimperiumofdiamondsgovernment.populiser.com/disscusion/the-imperium-of-diamond-s/the-constitution-of-the-imperium>

**The subject of Federation, have right for active legal operations according document of the Independent Movement's Federalization:**

<https://www.docdroid.net/HkebdX8/right-for-independent-movements-for-ids-federalization.pdf>

**The subject of Federation support stabilization of the Federal office:**

<http://theimperiumofdiamondsgovernment.populiser.com/disscusion/about-us/office>

**The subject of Federation develop Consulate center between our government's:**

<https://www.docdroid.net/q9E4TLk/ids-office-of-logistics-for-micro-states-global-federalization.pdf>

Document is for Evidence in ID's Federation and ID's GSCPC Archive's

Work Commitment agreement page N.º: 05\_Federation Registry

---

**Here follow signatures of Federalization**

---

**The name of the movement:** .....

.....  
.....

**Territory of Activity:** .....

.....  
.....

**Number of member's:** .....

.....

**Statute of Movement:** .....

.....

**Date:** .....

**Signature of the Constitutional Representative of the Community**

.....

---

## **The End of Mission**

---

If the movement rejects the act of joint federalization, it can still maintain the purpose of joint diplomacy allowing for joint business development and diplomatic growth, also establishing the rights of some military separatist movements for their meetings at the GSCPC, thereby ensuring the institution's development with a common strength and growth capability which ensures the ability to use new contracts that are in a much more aggregated nature than the current status of the institution's ability.

Military Separatist Movements with Membership in the Institution can experience the capabilities of joint armies at the level of 100,000,000 soldiers, meaning the real creation of a world military superpower.

Our cooperation will also enable the establishment of common trading networks, the industry and the production of weapons, military equipment and special spacecraft for the colonization of new planets in space.

Diplomatic relation's between movement's is profitable step for institution.