

Please leave this document including plastic trim tool with the vehicle after installation.

OWNER'S MANUAL ADDENDUM

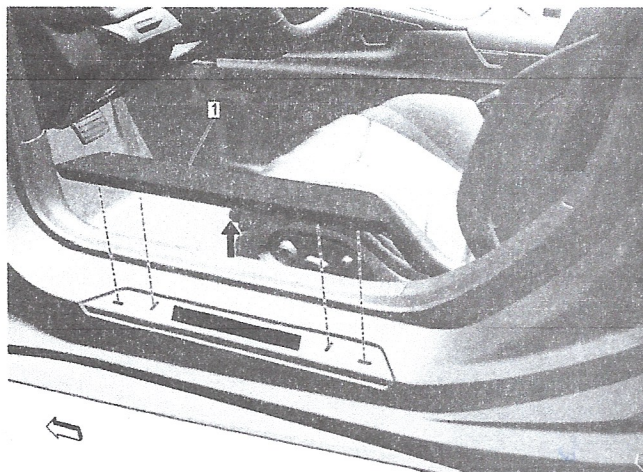
Illuminated Side Door Sill Trim Plate

This vehicle has illuminated sill plates that operate automatically with the opening and closing of the vehicle doors. The sill plates operate on batteries that over time will require replacement.

If the sill plate stops illuminating when the door is opened, please follow the battery replacement instructions shown below.

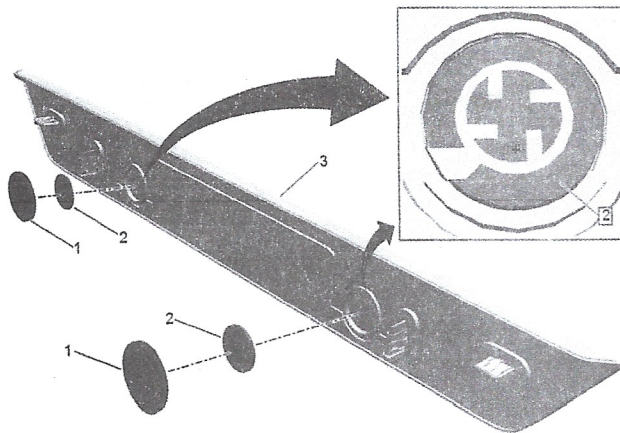
Battery Replacement Procedure

1. Obtain 2x CR2430 3V replacement batteries.



CAUTION: Do not use metal tools as they could cause damage to paint.

2. Using a plastic trim tool included with the kit or equivalent, carefully pry the ends of the sill trim plate (1) upward to release the clips that hold the sill trim plate to the rocker sill.

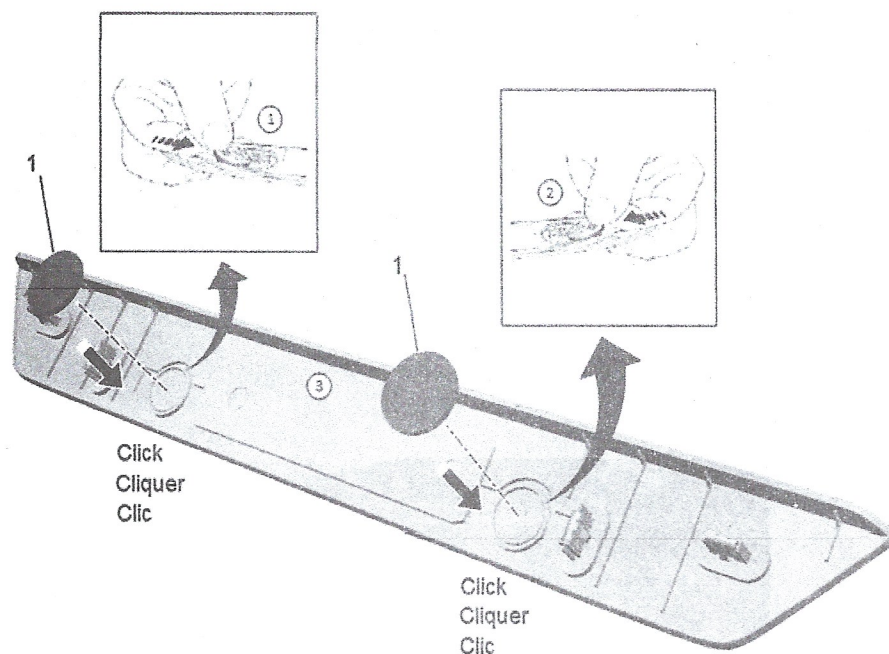


3. Turn the part over and remove the two battery covers (1).
4. Remove the old batteries (2) and properly discard.

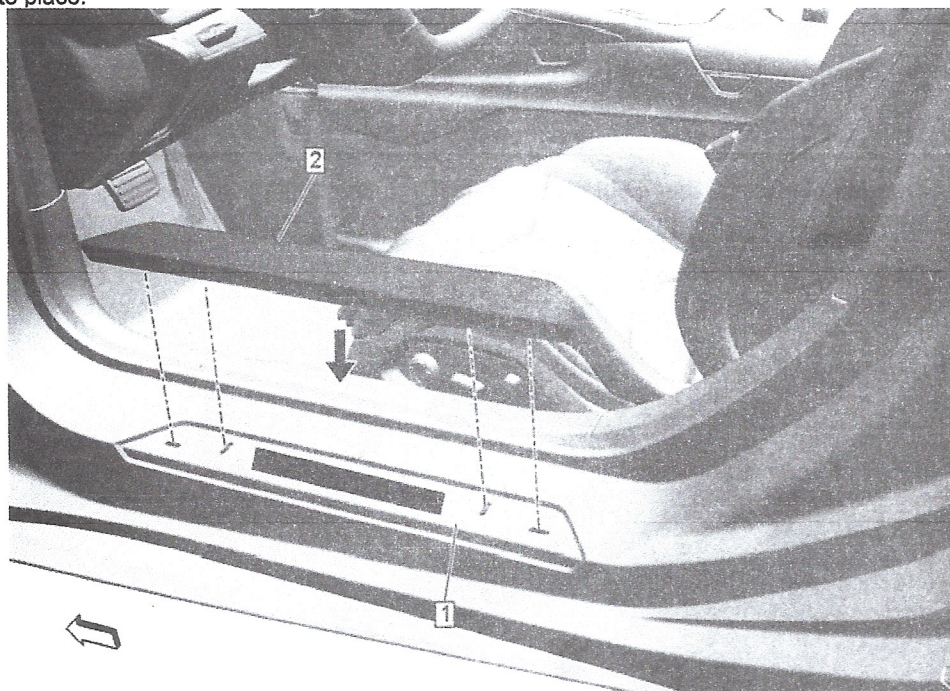


ACCESSORIES

5. Insert new batteries with the positive (+) side facing up as shown.
6. Snap the battery covers into place.



7. Align the clips of the sill trim plate (2) over the attachment holes on rocker sill (1) and firmly push down on the sill trim plate (2) until it snaps into place.



8. Close the door for one minute and then open the door and ensure accessory sill trim plate (1) illuminates.

Please leave this document including plastic trim tool with the vehicle after installation.

Side Door Sill Trim Plate Package Installation

Kit Contents

<u>DESCRIPTION</u>	<u>QUANTITY</u>
SILL PLATE	2
BATTERY	4
HOLE SEAL OUT TAPE STRIP (SQUARE CORNERS)	2
ACTIVATION TAPE STRIP (ROUND CORNERS WITH FOIL INSERT)	2
ALCOHOL PREP PAD	1
PLASTIC TRIM TOOL	1
INSTALLATION INSTRUCTIONS	1

Tools Required

- Soft, Lint-Free Towels
- Plastic trim tool or equivalent to remove existing sill plate (if required)

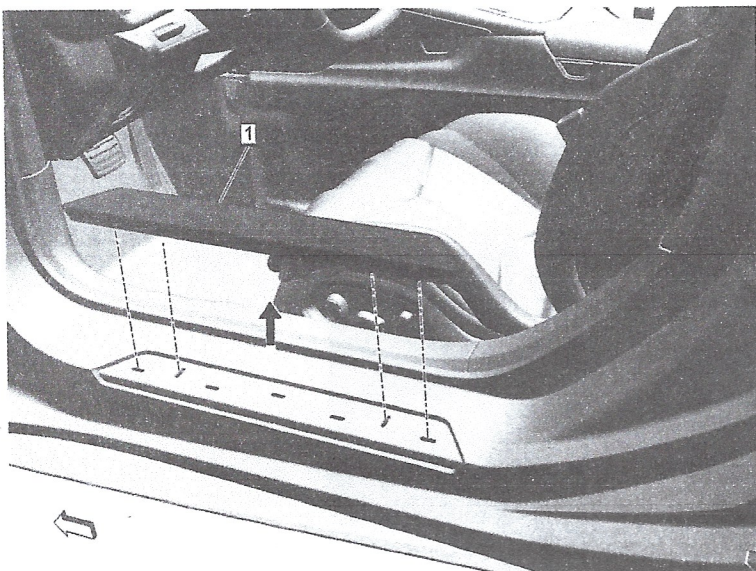
Preparation - Before Installation

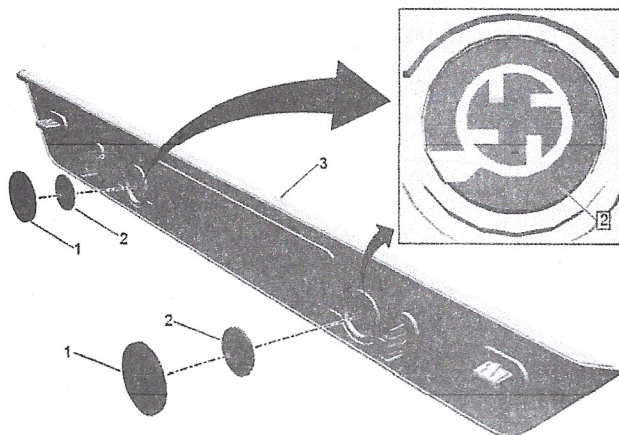
1. After opening the kit, check to see if any parts are missing and that the product is not damaged.
2. This product should be installed with proper installation tools.
3. Install this product while observing all warnings and precautions stated in this instruction sheet.
4. Thoroughly wash entire surface area where parts will be adhered to.
5. Temperature of sill plates and the vehicle must be 70°F to 90°F (21°C to 32°C).

Installation Procedure

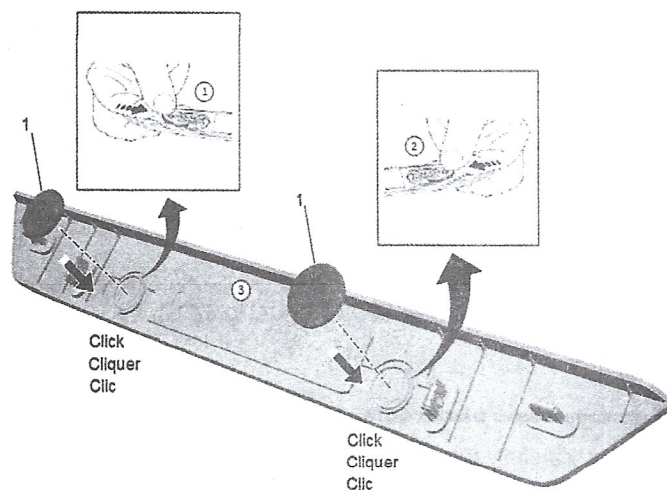
Caution: Do not use metal tools as they could cause damage to paint.

1. Using a plastic trim tool or equivalent, carefully remove the production sill plates (1), if equipped.

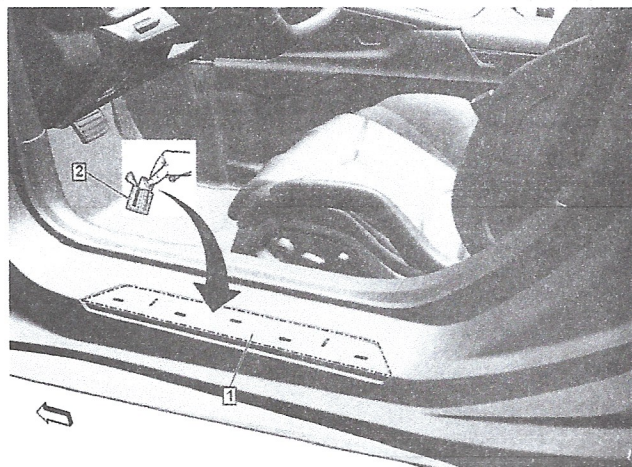




2. Remove both battery covers (1) from the accessory sill plate (3).
3. Insert the 2 supplied batteries (2) with the positive (+) side facing up as shown.



4. Snap the battery covers (1) into place.



5. Wipe area (1) where the sill plate is to be applied using supplied alcohol prep pad (2) and follow with a dry wipe to remove any residual alcohol.