

Ampeg - Sub Blaster

r1 - 1M
 r2 - 2k2
 r3 - 470K
 r4 - 10k
 r5 - 10k
 r6 - 4k7
 r7 - 220k
 r8 - 3k3
 r9 - 6k8
 r10 - 3k3
 r11 - 1k
 r12 - 10k
 r13 - 1k
 r14 - 10k
 r15 - 47k
 r16 - 47k
 r17 - 100k
 r18 - 47k
 r19 - 47k
 r20 - 470k
 r21 - 22k
 r22 - 22k
 r23 - 22k
 r24 - 100k
 r25 - 100k

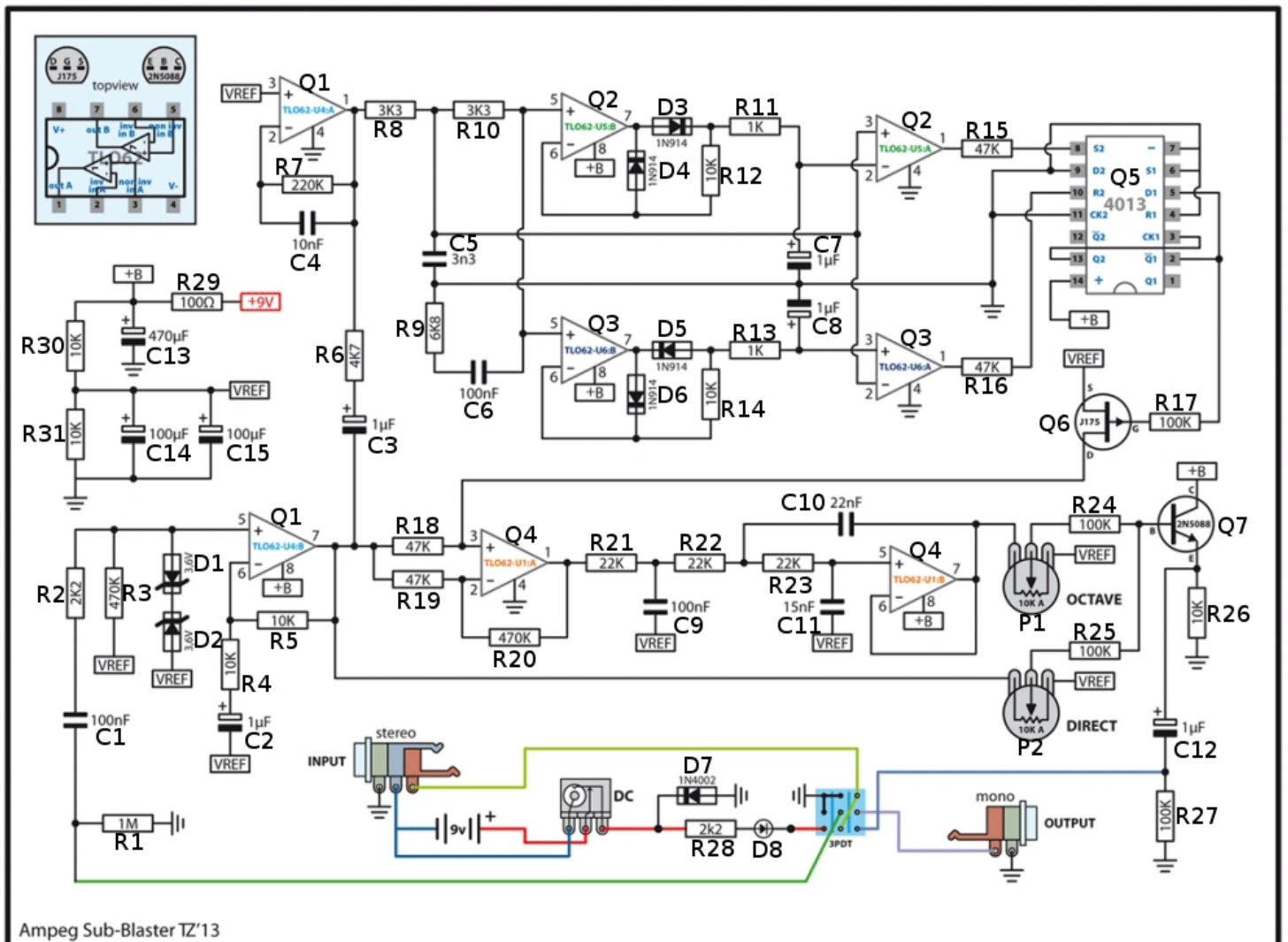
r26 - 10k
 r27 - 100k
 r28 - 2k2
 r29 - 100ohm
 r30 - 10k
 r31 - 10k

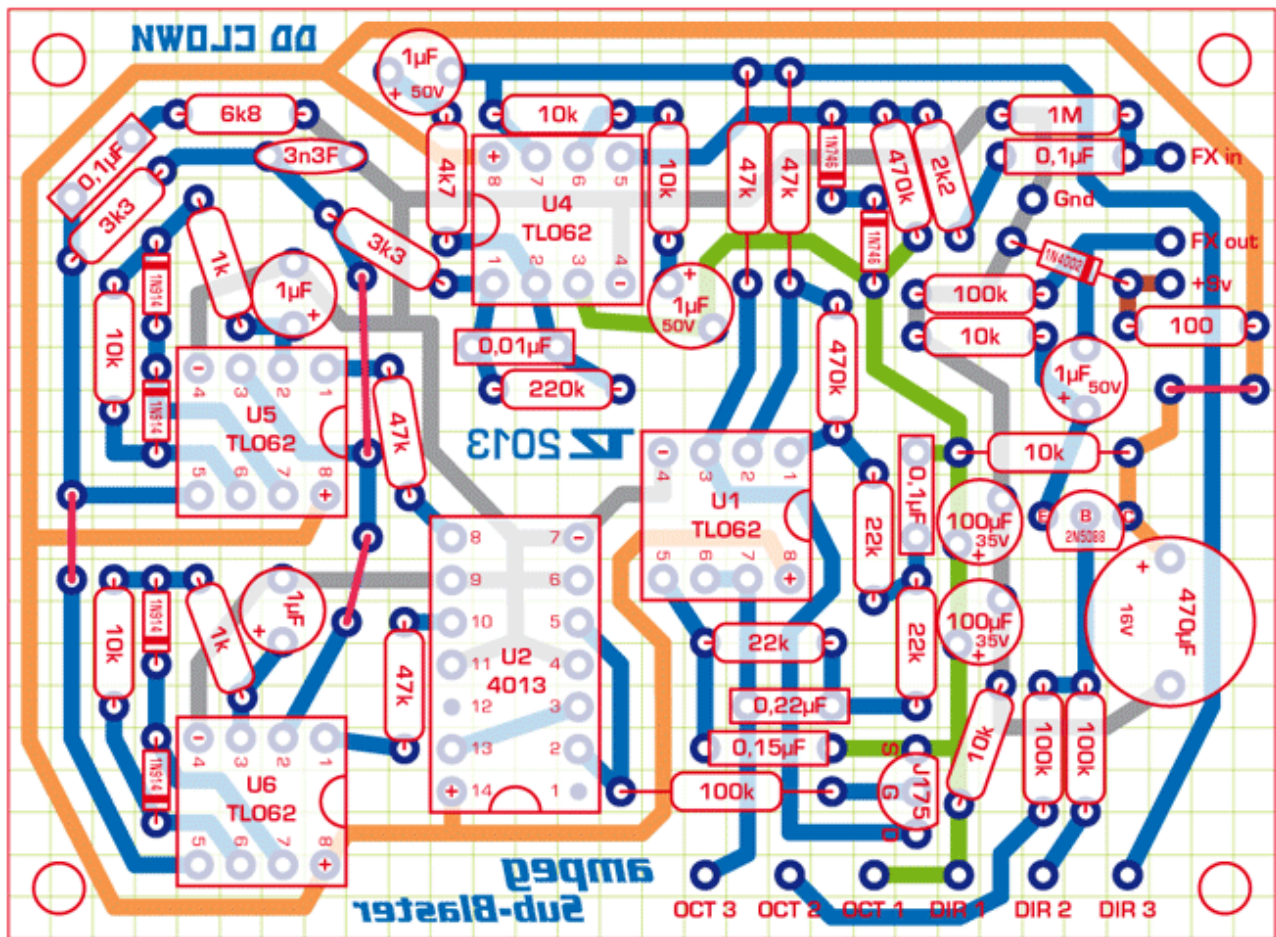
 c1 - 100n
 c2 - 1u+
 c3 - 1u+
 c4 - 10n
 c5 - 3n3
 c6 - 100n
 c7 - 1u+
 c8 - 1u+
 c9 - 100n
 c10 - 22n
 c11 - 15n
 c12 - 1u
 c13 - 470u+
 c14 - 100u+
 c15 - 100u+

d1 - 3,6v
 d2 - 3,6v
 d3 - 1n914
 d4 - 1n914
 d5 - 1n914
 d6 - 1n914
 d7 - 1n4002
 d8 - led

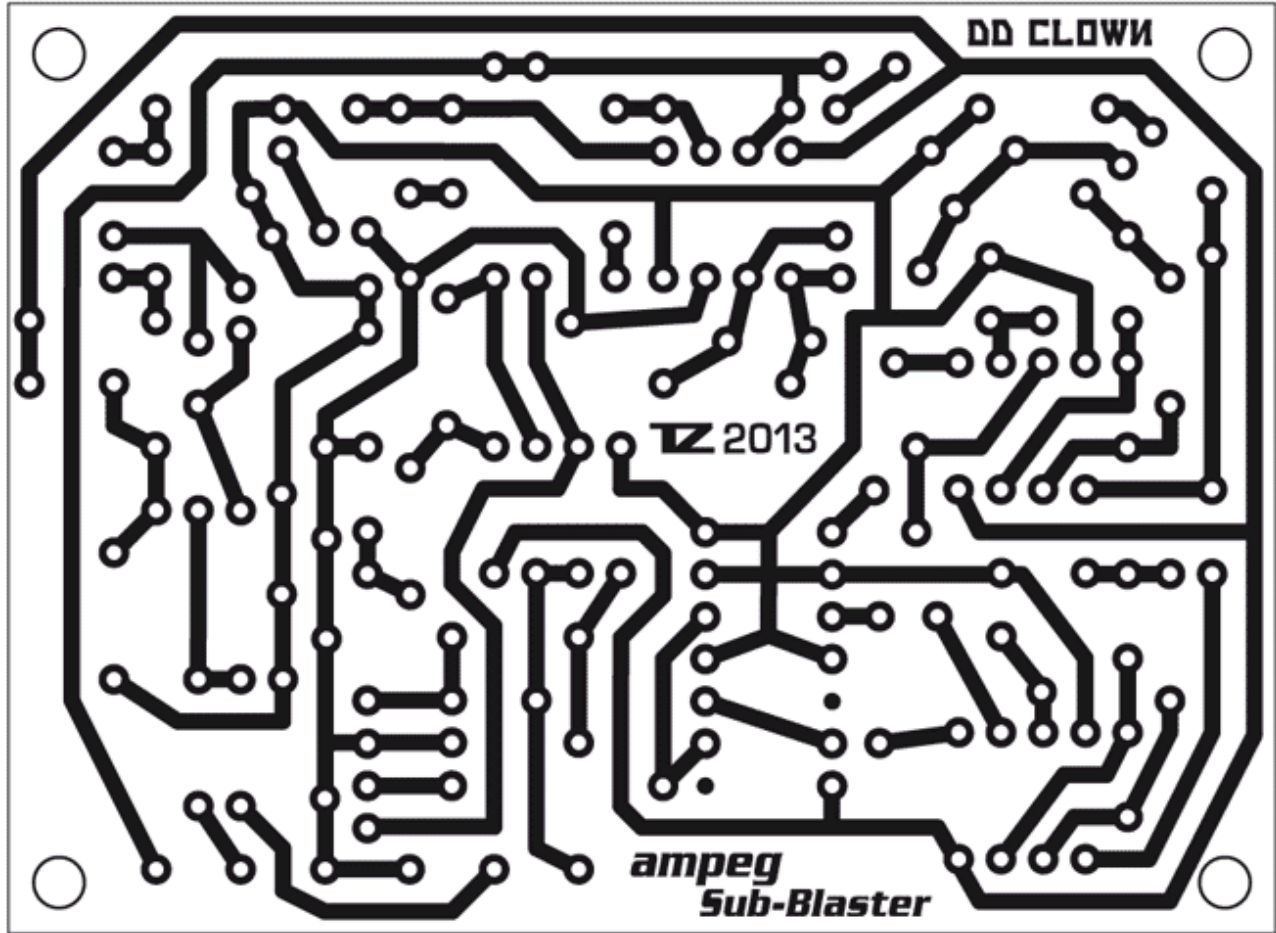
 q1 - TL062
 q2 - TL062
 q3 - TL062
 q4 - TL062
 q5 - 4013
 q6 - J175
 q7 - 2n5088

 p1 - 10K
 p2 - 10K





VERIFIED



size: 55x75mm