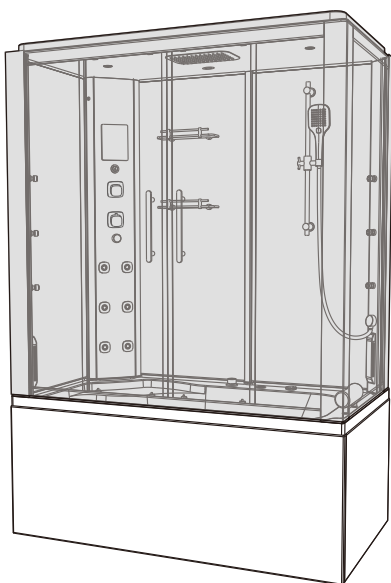


Reminder: the company reserves the right to make change on the product appearance and accessories and no further notice is given. The dimension and color of any product are subject to those of the material object.

# USING INSTRUCTIONS OF STEAM ROOM



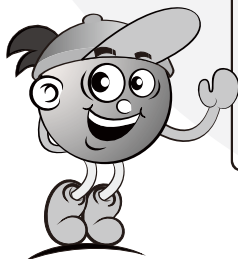
BU611/BU615/BU616

---

---

directory >>>>

Preface .....	2
Security Caution .....	2
Installation Tools Suggested (Prepared by User) .....	3
Installation Steps .....	4
Using Intruccion .....	10



**Reminder:**

All appearance pictures for parts and components of this product in this Installation and Operation Manual are for reference only. The appearance of the actual product shall be taken as the standard, while the operation methods are the same.



## Preface

Thank you wholeheartedly for purchasing our shower room. To use this product safely and efficiently, please read this manual carefully before use, and pay attention to the followings:

- 1, We will offer the quality warranty service for the user of this product. To guarantee your interests, please complete the warranty card carefully, and call the dealer or us for any other service needed.
- 2, Any damage or trouble of the product caused by improper installation or operation shall be excluded in the warranty.
- 3, To achieve the best service effect of this line of products, it is recommended to use our original parts.
- 4, To avoid fire or electric shock, please ensure that controller is not exposed to rain or wet surroundings, As controller contains accessories with dangerous high-voltage, please do not open the cover.
- 5, Without permissions from controller manufacturer and authorized party, any changes or disassembly of this controller will probably bring inconvenience in use to user.
- 6, Power supply adopted should match voltage specification marked on the controller, Otherwise it becomes unusable and can even burn out the controller.
- 7, When installing the controller, please check cautiously whether the loaded parameters corresponds to those required by the controller. Otherwise it becomes unusable and can even burn out the controller.
- 8, If occasional crash appears, please restart it.

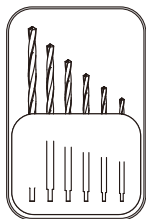
## Installation and use Caution

To guarantee normal use of products and personal safety of users and prolong use life of products, please read carefully the following the following requirements before use:

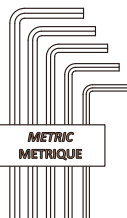
- 1, Users must perform load installation in strict accordance with circuit drawing and parameters offered by our company.
- 2, Should not be illegal manufacturers recommend electrical equipment connected to the controller, and prohibit the unauthorized disassembly, modification have been sealed wiring or charging power supply inserting box wiring and plug.
- 3, Connect the line power supply box should press connector number and specification corresponding socket, output line can not be short circuit.
- 4, For there is no repairable elements in controller, donot attempt any improvement, Because of dangerous high voltage in controller, maintenance and edjustment must be carried on by professionals.

The company is not held responsible for results caused by users' violation of the above-mentioned operation specifications

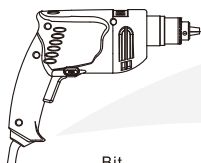
Recommendation tools(user-owned)



Electric drill



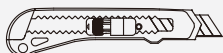
Hexagonal key



Bit



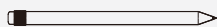
Foot level



Knife



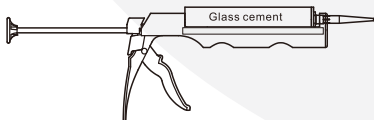
Screwdriver



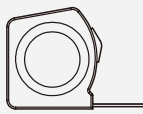
Pulley



Wrench



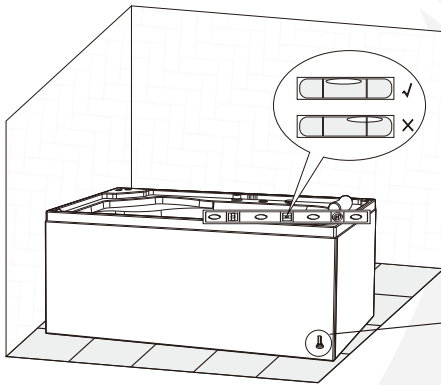
Glass cement



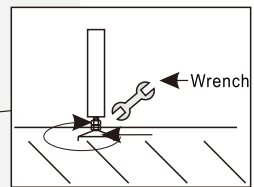
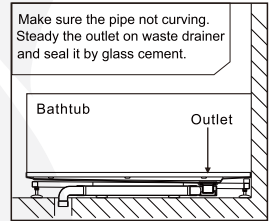
Glass cement

## Installation Steps

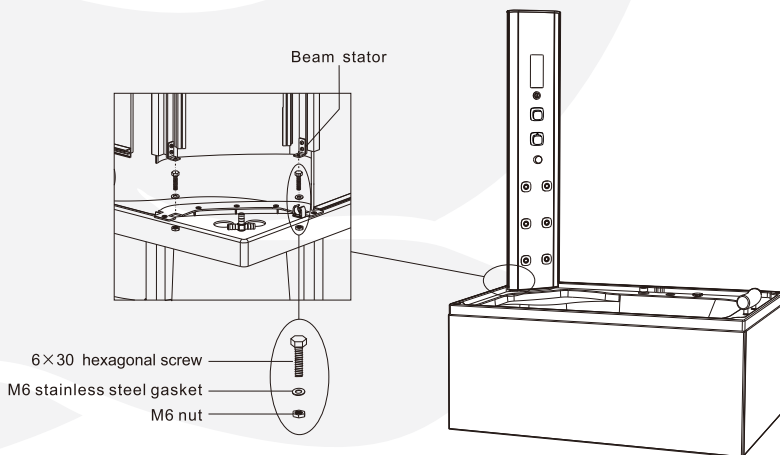
### I. Base tray installation



(Fig.1)

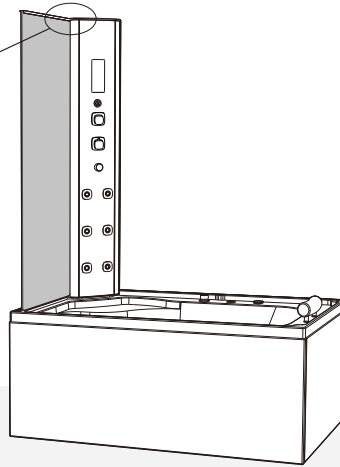
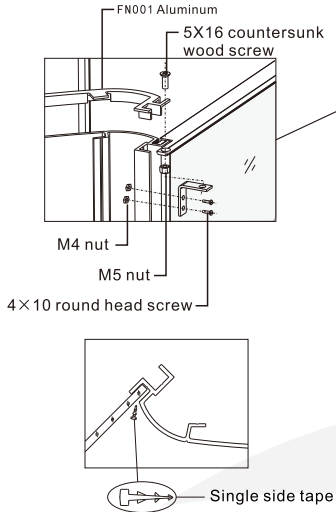


### II. Installation of back panel



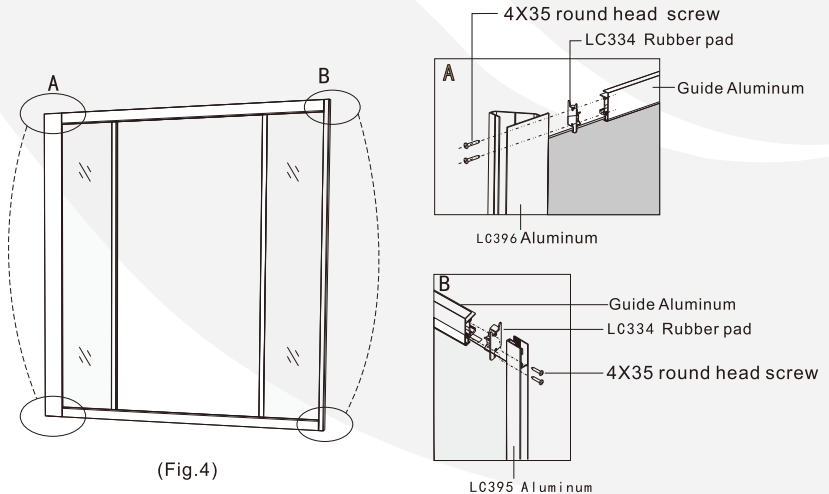
(Fig.2)

### III. Installation of side glass 1

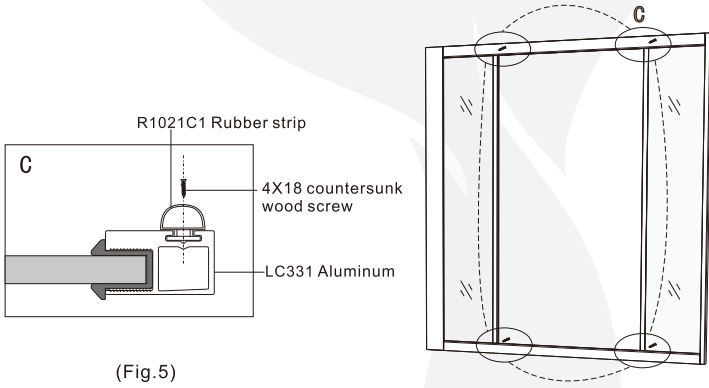


(Fig.3)

### IV. Installation of glass door frame

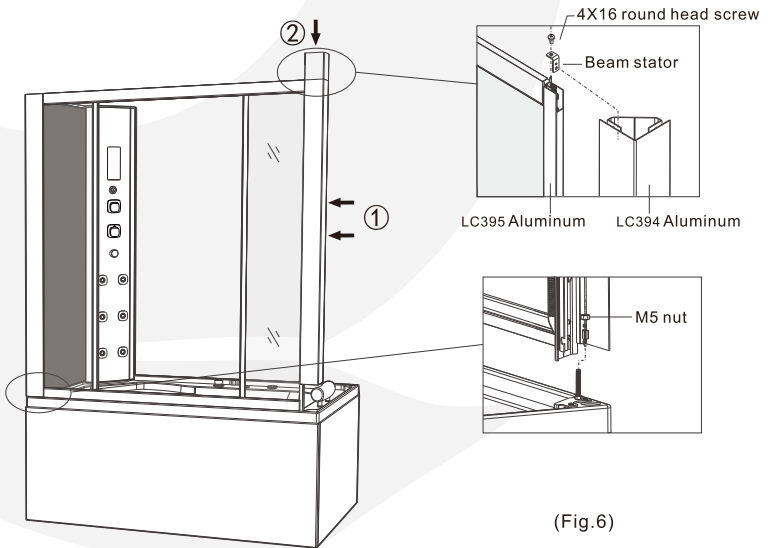


(Fig.4)



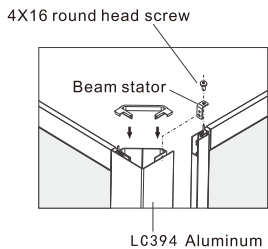
(Fig.5)

## V. Installation of side glass 2

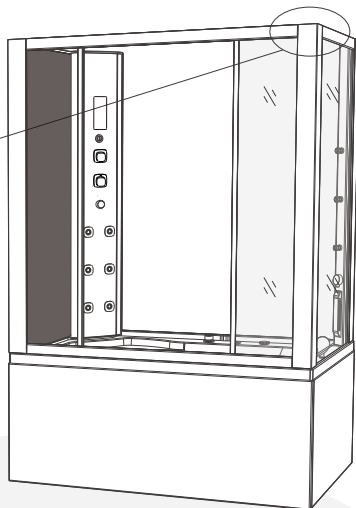


(Fig.6)

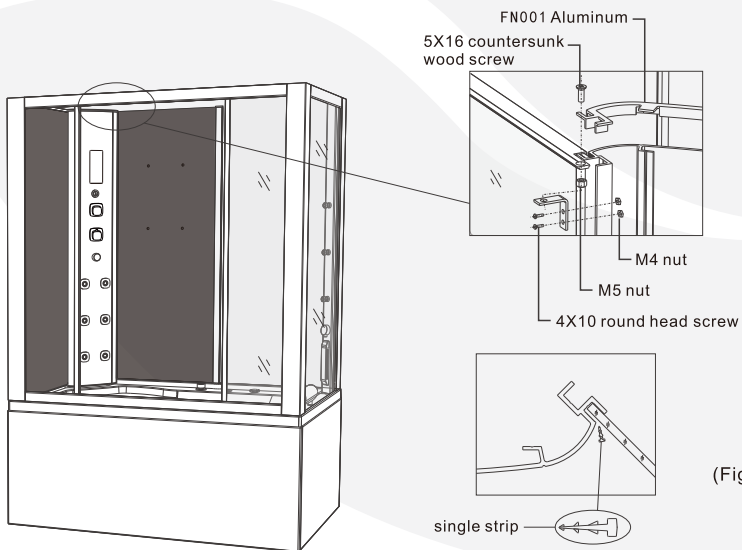




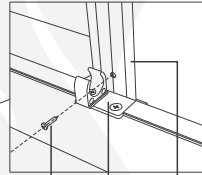
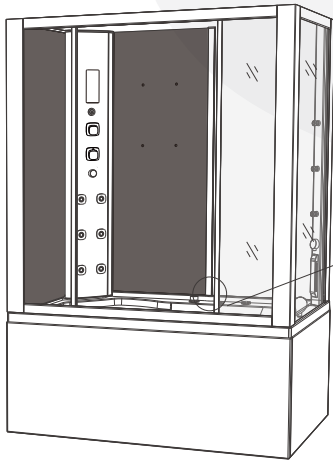
(Fig.7)



## VII. Installation of side glass 3



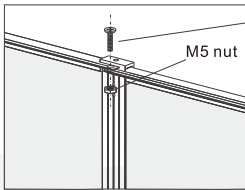
(Fig.8)



FN007 Aluminum  
FN007 Plastic parts  
4X10 round head screw

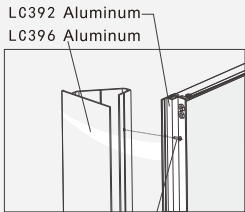
(Fig.9)

### VIII. Installation of side glass 4



5X16 countersunk wood screw

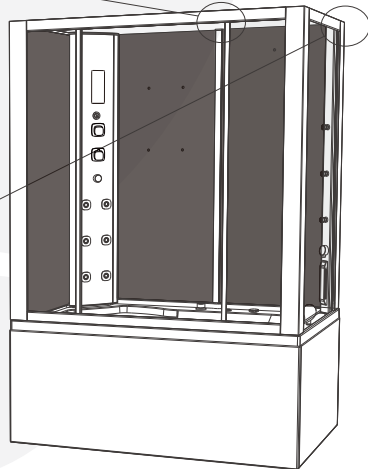
M5 nut



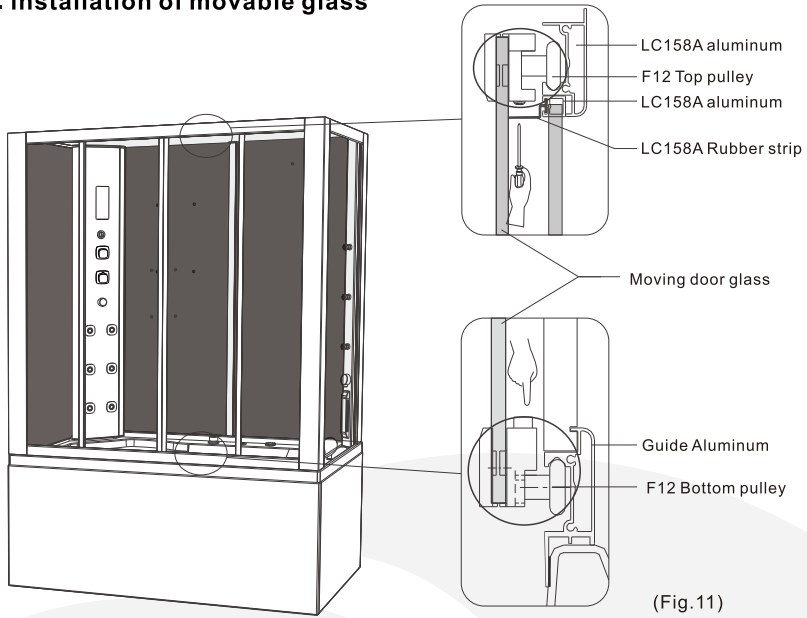
LC392 Aluminum  
LC396 Aluminum

4X10 round head screw

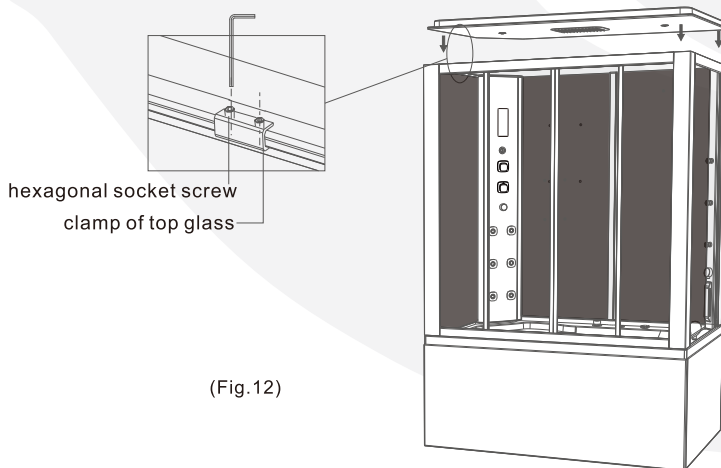
(Fig.10)



## IX . . installation of movable glass



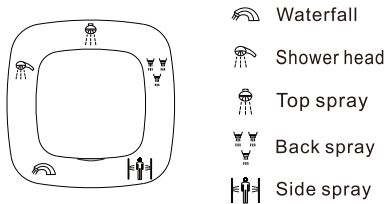
## X . Decorated the aluminum installation and fastening



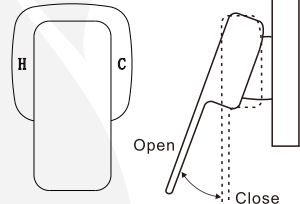
## Mixer Using Intruction

1. Hand wheel A is the function-conversion switch. The rotation of the wheel in different directions will shift the functions such as side spray, shower, back spray side spray and top spray.

2. Hand wheel B is the hot/cold water switch. Pulling up the wheel will let water in, while turning the wheel in different directions will adjust the water temperature.



A Function conversion switch



B Hot and cold water switch

**⚠** To prolong the service life of the bathtub, please try to regulate the intake water temperature and keep it below 45°C. For intake water at higher temperature, fill in some cold water first. **Maximum temperature of inlet water ≤60°C.**

## Steam cleaning machine

For hard water areas ,steam generator must be cleaned regularly for scale removal, particularly when water level is sensed by probe sensor (marked on steam generator surface).Generally,check it for every 3 months and clean it based on scale level. The proper way of cleaning should be like this: shut down system for 4 minutes or above (keep controller energized) , dilute 2.5~3g citric acid with 400ML warm water ,Rotate to remove the function The middle part of the back cover can be seen after cleaning the hex nut, rotate the nut again, turn it on when citric acid solution is filled into steam generator through steam outlet(for details see Steamer Cleaning Instruction) and start cleaning. It is suggested not to shut down system or cut off electricity during cleaning. Steam room can be reused only when the whole process is completed for fear that detergent residuals flow into steam room.

