

SUBMERSION PROBE HOLDER "PEC"

Data Sheet

Submersion probe holder for pH / ORP Ø 12 probe, conductivity, ETORBH, EOLUM and ECDINDPT (inductive conductivity).

PEC

Electrodes	pH, ORP Ø 12
Max temperature	80°C
Material	PP
Length	100 cm

PEC/SN6

Electrodes	SN6 Ø12 threading PG 13.5
Other features as PEC	

PEC/IM

Electrodes	conductivity (threading 3/4")
Other features as PEC	



PEC
PEC/SN6
PEC/IM

PEC2

Elettrodi	Ø 12 threading PG 13.5
Max temperature	80°C
Material	PVC
Length	100 cm

PECAP2 immersion self-cleaning probe holder with a compressed air or water cleaning fitting operated manually or, using a LD controller, automatically.

Electrodes	Ø 12 threading PG 13.5
Other features as PEC2	



PEC2
PECAP2

PECAP/SN6 immersion self-cleaning probe holder with a compressed air or water cleaning fitting operated manually or, using a LD controller, automatically.

Electrodes	SN6 Ø 12 threading PG 13.5
Max temperature	40°C
Material	PVC-PP

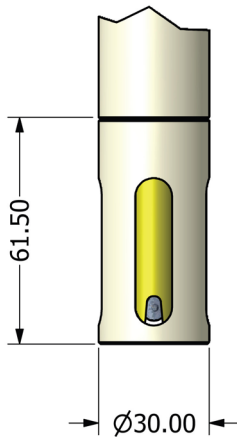


PECAP/SN6

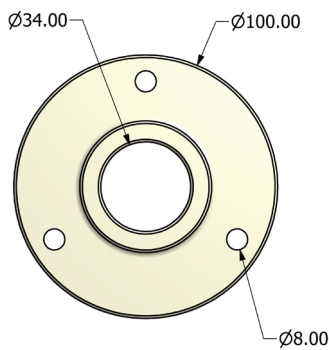
SUBMERSION PROBE HOLDER "PEC"

Data Sheet

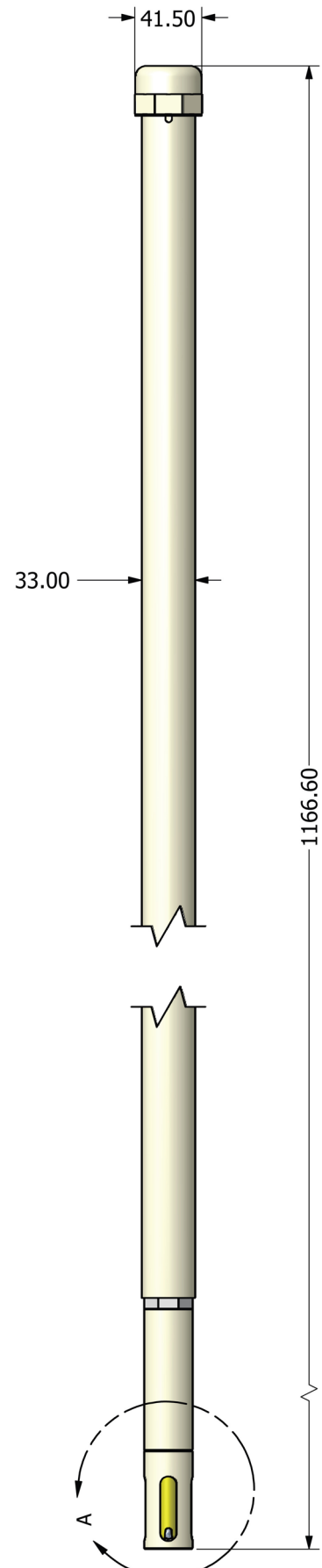
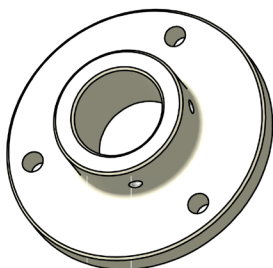
SUBMERSION PROBE HOLDER MADE OF PP
FOR pH / REDOX PROBES INCLUDING SN6 (PG13.5) VERSION



With system to avoid "PEC" removing during probe calibration.



Tank adapter.



SUBMERSION PROBE HOLDER "PEC"

Data Sheet

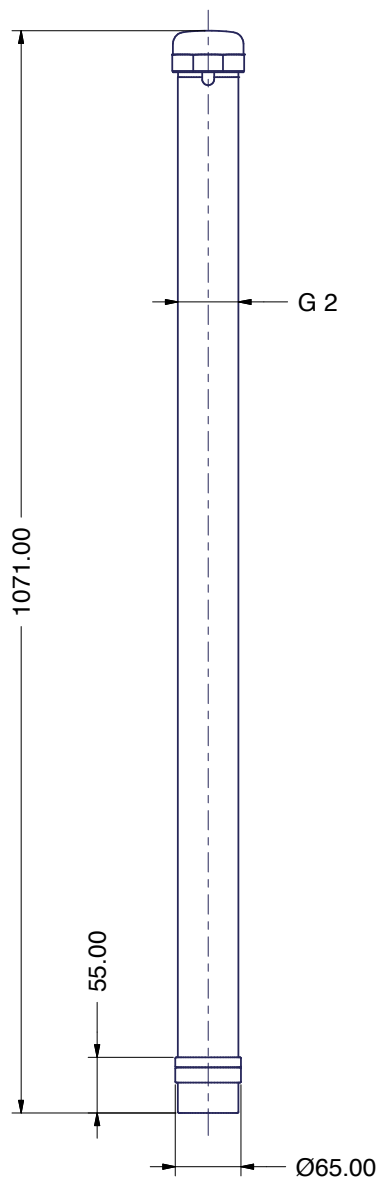
PEC IND

Electrode	ECDINDPT
Max temperature	40°C
Material	PVC
Length	100 cm



PEC IND

DIMENSIONS PEC IND (in mm)



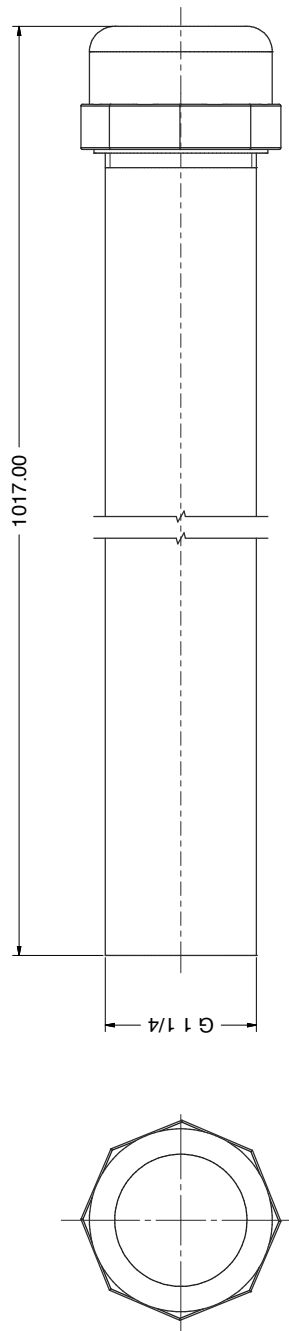
SUBMERSION PROBE HOLDER "PEC"

Data Sheet

PEC-E

Electrode	ETORBH or EOLUM
Max temperature	80°C
Material	PP
Length	100 cm

DIMENSION PEC E (in mm)



PEC-E