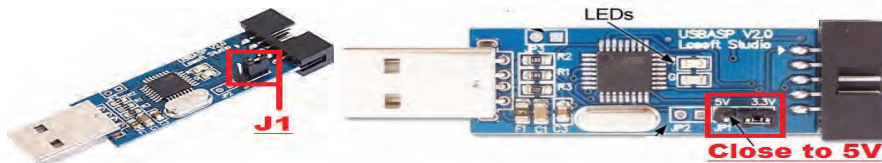
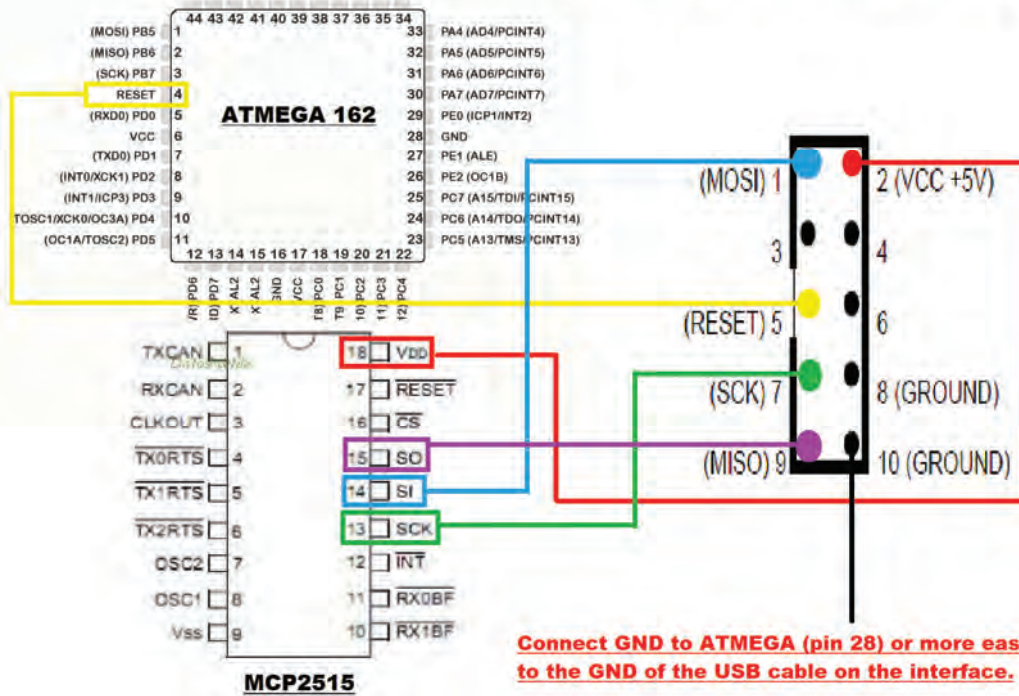


# USBASP TO VCDS ATMEGA CHIP CONNECTION

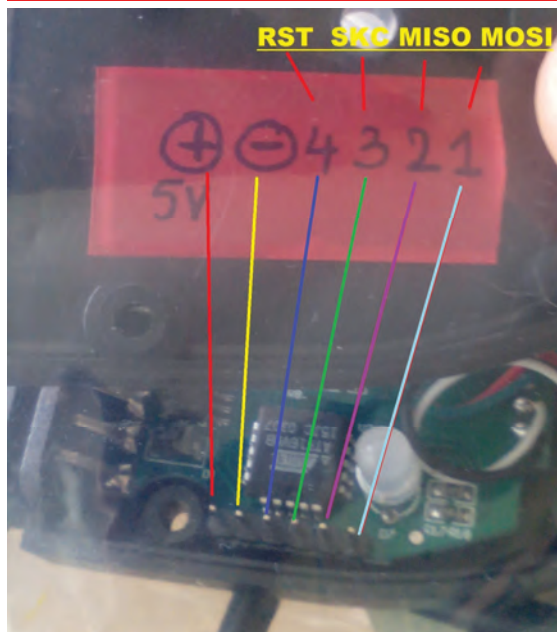
Close jumper **J1** or **JP1** on USBASP to establish 5V power.



## INTERFACE TO USBASP CONNECTION



**FOR HQ HARDWARE CLONE USE THIS PINOUT:**



For chinese interface with stc chip, remove that.

