

Original BMW Accessories. Installation Instructions.



BMW Performance Silencer System Retrofit Kit BMW 3 Series petrol 323i/325i/330i (E9X)

Retrofit kit number

18 10 2 208 788	EU E90/91 330i N52/53 Performance silencer
18 10 2 208 791	EU E92/93 330i N52/53 Performance silencer
18 10 2 217 675	EU E90/91 325i N52/53 Performance silencer
18 10 2 217 676	EU E92/93 325i N52/53 Performance silencer
18 10 2 208 793	US E90/91 323i/328i N51/52 Performance silencer
18 10 2 208 794	US E92/93 328i N51/52 Performance silencer

Installation time

The installation time is **approx. 1.0 hours**. This may vary depending on the condition of the car and the equipment in it.

The installation time specified does not include the time spent on programming / coding.

The calculation of the total costs for the programming time must be factored into the calculation of retrofitting costs (no invoicing via warranty).

Important information

These installation instructions are primarily designed for use within the BMW dealership organisation and by authorised BMW service companies.

In any event, the target group for these installation instructions is specialist personnel trained on BMW cars with the appropriate specialist knowledge.

All work must be completed using the latest BMW repair manuals, wiring diagrams, servicing manuals and work instructions, in a rational order, using the prescribed tools (special tools) and observing current health and safety regulations.

If you experience installation or function problems, restrict troubleshooting to approx. 0.5 hours for mechanical work and 1.0 hour for electrical work.

To avoid unnecessary extra work and/or costs, an inquiry is to be sent straight away to the technical parts support via the After Sales Assistance Portal (ASAP).

Quote the following information:

- Chassis number,
- Retrofit kit part number,
- A detailed description of the problem,
- Any work already carried out.

Do not archive the hard copy of these installation instructions since daily updates are made via ASAP!

Pictograms



Denotes instructions that draw your attention to dangers.



Denotes instructions that draw your attention to special features.

◀ Denotes the end of the instruction or warning text.

Installation information

All pictures show LHD cars; proceed accordingly on RHD cars.

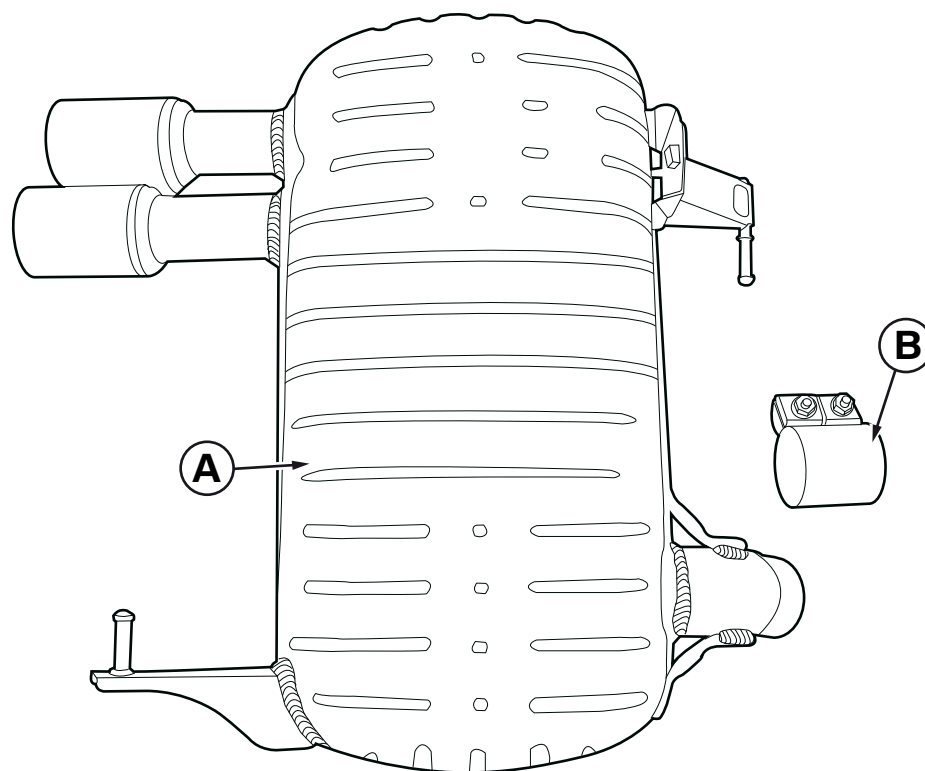
Special tools required

None

Table of contents

Section	Page
1 Parts list	4
2 Preparatory work	5
3 Installing the Performance silencer	6
4 Concluding work and coding	8

1. Parts list



090 0878 V

Legend

- A** Performance silencer
- B** Clamp

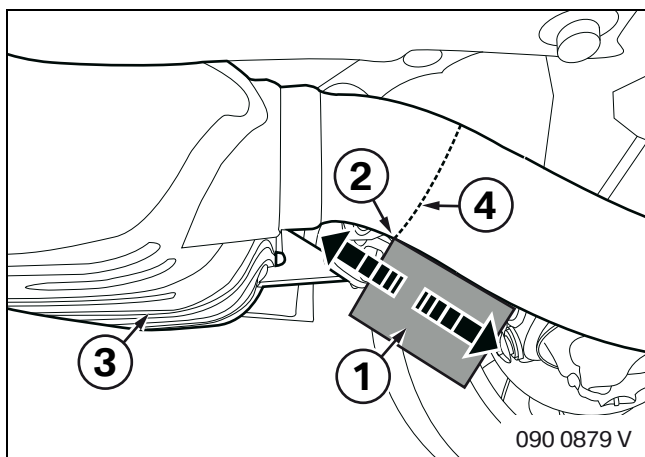
2. Preparatory work

The following components must be removed first of all

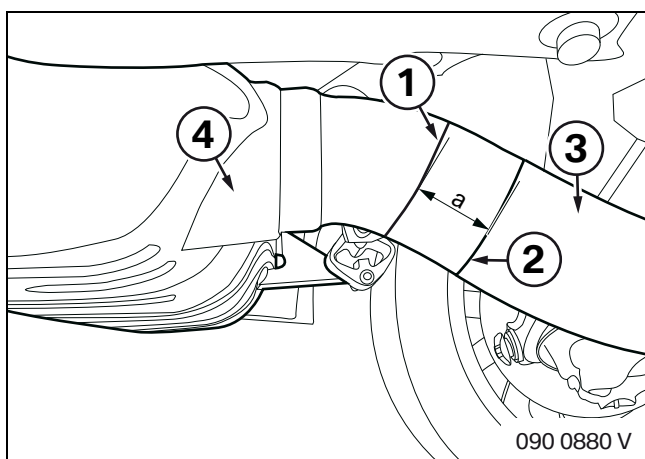
ISTA No.

Only for the 330i: Remove the exhaust flap control

3. Installing the Performance silencer



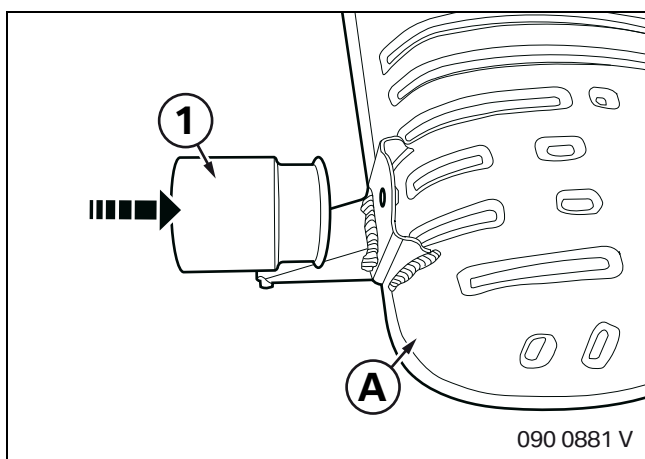
Using a suitable flat object (1), determine and mark (4) the start of the curve (2) of the entrance pipe into the rear silencer (3) by moving the flat object (1).



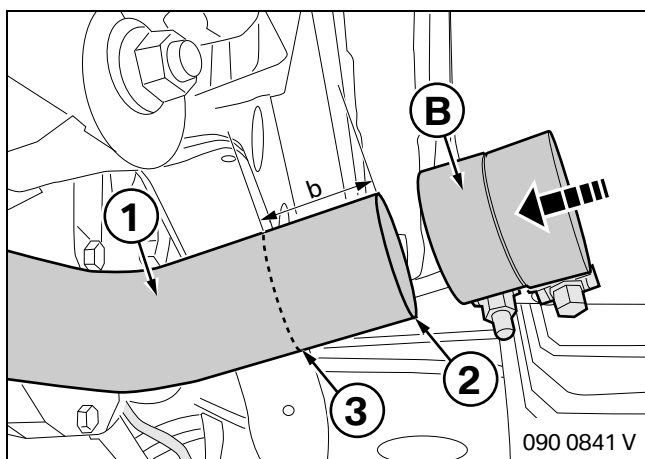
From the marking (1), draw a mark (2) at a distance of $a = 40 \text{ mm}$ on the entrance pipe (3).

Cut the entrance pipe (3) using suitable tools at the mark (2) and deburr.

Remove the rear silencer (4) from the car.



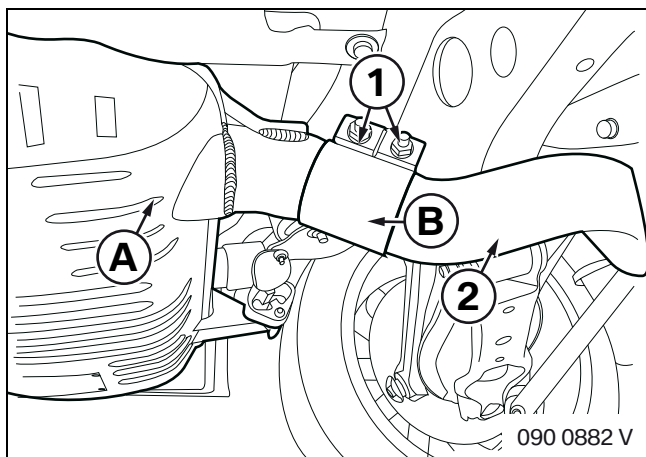
Uninstall acoustic distributor (1) on the standard silencer (not shown) and fit it to Performance silencer **A**.



Mark the entrance pipe (1) from the cut end (2) with a distance of $b = 35 \text{ mm}$ (3).

Push the front end of clamp **B** up to the mark (3) on the entrance pipe (1).

3. Installing the Performance silencer



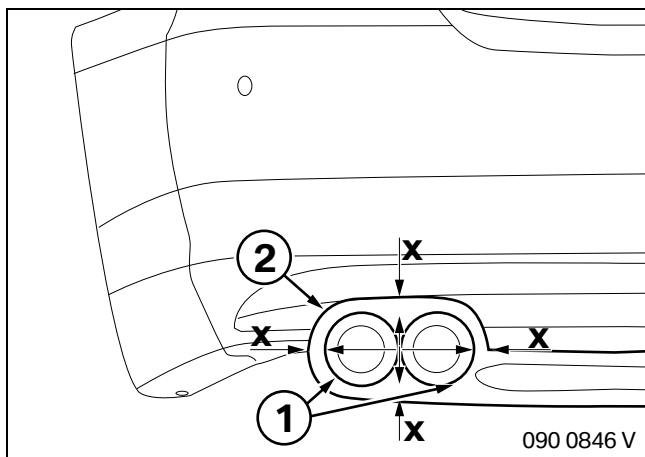
▶ In order to ensure adequate ground clearance, the screws (1) must not be below the pipe geometry and must be directed appropriately upwards, as shown in the figure. The screws (1) must have a distance of **20 mm** to all neighbouring components. ◀

Secure Performance silencer **A** to the vehicle and slot into clamp **B** so that Performance silencer **A** adjoins flush with the entrance pipe (2). Align clamp **B**, tightening the screws (1) to **70 Nm**.

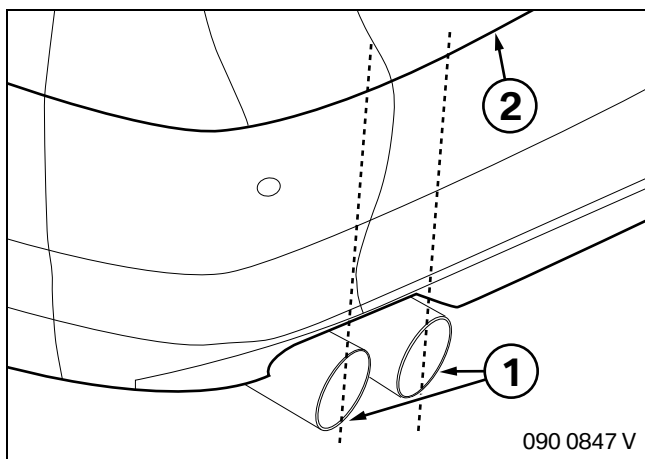
4. Concluding work and coding

The retrofit system does not require coding.

- Carry out a brief test (testing of the tightness and secure positioning of the rear silencer)



- ▶ Check the position of the end pipes (1) to the contour (2) of the rear apron, if necessary averaging and aligning them again. ◀



- ▶ During installation and while driving (thermal expansion of the exhaust system), care must be taken to ensure that the end pipes (1) do not extend beyond the rear apron (2). (Danger of burning!) ◀