

CATALOGUE NO. M37536  
ISSUED: AUGUST, 1974  
TO BE USED IN CONJUNCTION WITH  
CATALOGUE NO. M37459

# TORANA "LH" series

# SL/R 5000

With L34 option

INCORPORATING 'HIGH OUTPUT PACKAGE'

# PARTS CATALOGUE SUPPLEMENT

GM PARTS & ACCESSORIES  
DIVISION OF GENERAL MOTORS-HOLDEN'S PTY. LIMITED

A 'HOLDEN' PUBLICATION

# 'LH' TORANA PARTS CATALOGUE SUPPLEMENT

This publication is a supplement to, and must be used in conjunction with Torana LH Series Catalogue No. M37459 to determine the replacement parts to service the SL/R5000 Model when Production Option No. L34 is utilized.

Particulars also include the 'High Output Package' which is available as a supplementary fitment.

L34 Option                    – Pages 3 – 26  
High Output Package – Pages 27 – 30

## ENGINE IDENTIFICATION and SPECIFICATIONS:

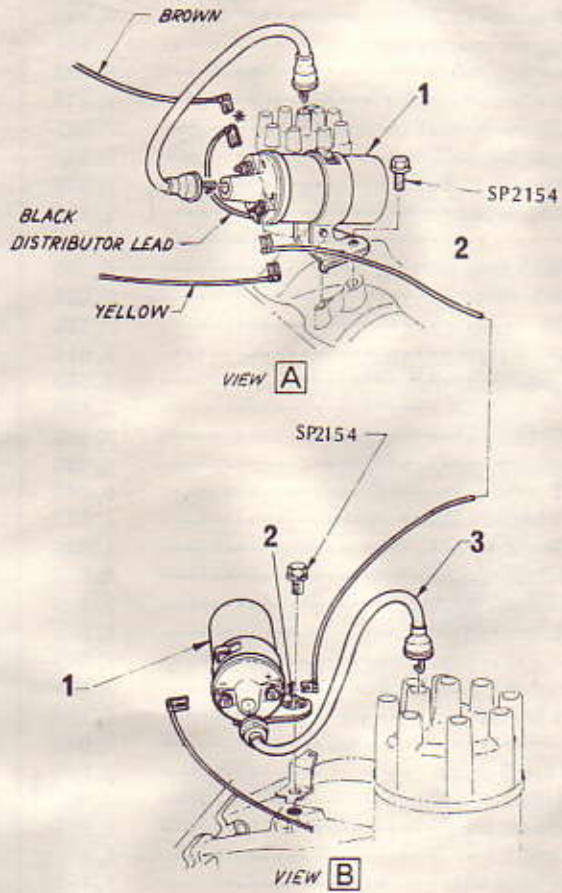
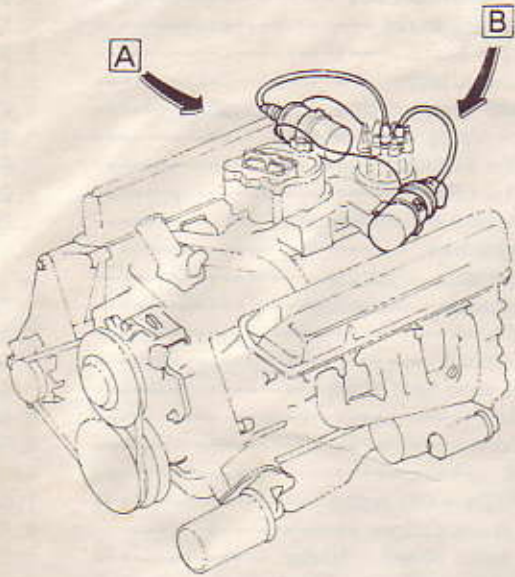
CAPACITY	TYPE	BORE	STROKE	COMP.RATIO
5 Litre	V8	4.00"	3.06"	9.8 : 1

Engine No. Prefix – HZ

COPYRIGHT – GENERAL MOTORS–HOLDEN'S PTY. LIMITED  
Reproduction in whole or in part prohibited without written approval.

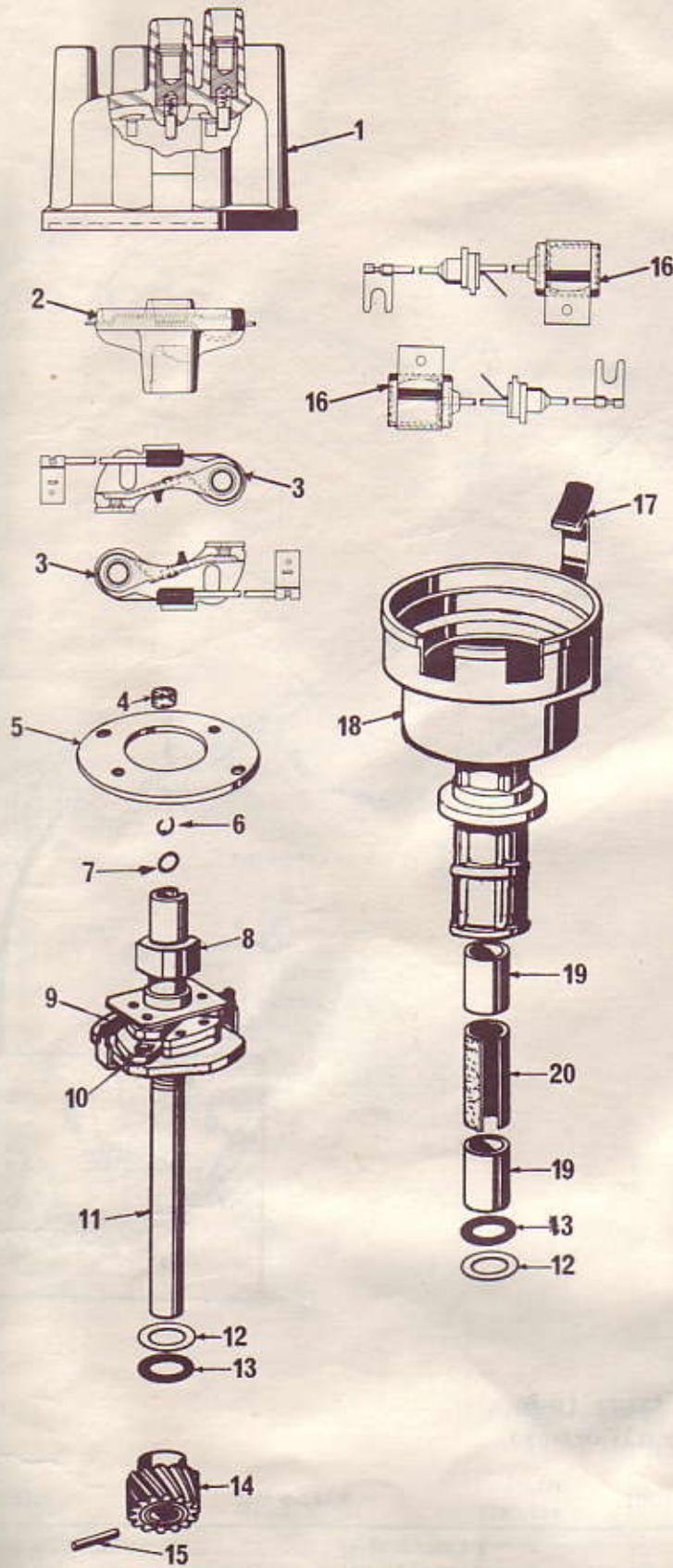
# HOLDEN "LH" PARTS CATALOGUE

DESCRIPTION	GROUP	DESCRIPTION	GROUP
ADAPTOR - Carburettor flange -----	3.726	KNUCKLE - Steering -----	6.020
AIR CLEANER -----	3.402	LEVER - Gearshift control -----	4.006
ARM - Front suspension control -----	6.168	LEVER - Parking brake -----	5.149
ARM - Steering -----	6.103	LINING SET - Brake -----	5.018
ARM - Valve rocker -----	0.333	LINK - Brake adjuster -----	5.105
ASHTRAY - Instrument panel -----	12.030	LINK - Brake wheel cylinder connecting -----	4.675
BAFFLE - Engine oil pan -----	1.426	LOCATOR - Valve push rod -----	0.426
BAR - Bumper face -----	7.831	MANIFOLD - Exhaust -----	3.601
BEARING - Valve rocker arm -----	0.429	MANIFOLD - Inlet -----	3.265
BEARING SET - Connecting rod -----	0.616	MEMBER - Front suspension cross -----	6.008
BEARING SET - Crankshaft -----	0.094	NUT - Air cleaner -----	3.410
BEARING UNIT - Connecting rod -----	0.616	NUT - Brake shoe adjusting -----	5.111
BEARING UNIT - Crankshaft centre -----	0.101	NUT - Connecting rod bolt -----	0.626
BEARING UNIT - Crankshaft front -----	0.096	OIL COOLER -----	1.540
BEARING UNIT - Crankshaft front inter. -----	0.099	PAN - Engine oil -----	1.426
BEARING UNIT - Crankshaft rear -----	0.106	PIN - Brake shoe hold down -----	5.041
BEARING UNIT - Crankshaft rear inter. -----	0.103	PIPE - Brake -----	4.685
BEARING & HOUSING - Valve rocker arm -----	0.429	PIPE - Exhaust -----	3.609
BLOCK - Cylinder -----	0.033	PIPE - Fuel -----	3.158
BODY - Brake wheel cylinder -----	4.665	PIPE & SCREEN - Oil pump -----	1.656
BOLT - Crankshaft bearing cap -----	0.056	PISTON - Brake caliper -----	4.668
BOLT - Connecting rod -----	0.623	PISTON - Brake wheel cylinder -----	4.668
BOOT - Brake wheel cylinder -----	4.670	PISTON & PIN -----	0.629
BRACKET - Choke control -----	3.521	PIVOT - Valve rocker arm -----	0.429
BRACKET - Ignition coil -----	2.170	PLATE - Brake backing -----	5.001
CABLE - Distributor to coil -----	2.239	PLATE - Brake shoe guide -----	5.045
CABLE - Parking brake -----	4.826	PLATE - Valve push rod locator -----	0.426
CAMSHAFT -----	0.519	PLATE - Valve rocker arm pivot -----	0.429
CAP - Crankshaft rear bearing -----	0.105	PLUG - Spark -----	2.270
CAP - Fuel tank filler -----	3.028	PUMP - Fuel -----	3.904
CARBURETTOR -----	3.725	PUMP - Oil -----	1.652
CLAMP - Exhaust pipe -----	3.616	RADIATOR -----	1.219
CLIP - Brake pipe -----	4.685	REPAIR KIT - Brake caliper guide -----	5.020
COLLECTOR - Exhaust -----	3.609	RING - Headlamp retaining -----	2.731
CONTROL - Choke -----	3.521	ROD - Choke actuating -----	3.521
COVER - Oil pump -----	1.723	ROD - Connecting -----	0.603
CRANKSHAFT -----	0.646	ROD - Valve push -----	0.426
CUP - Brake wheel cylinder -----	4.667	SCREW - Brake shoe adjusting -----	5.110
CYLINDER - Brake wheel -----	4.665	SEAL - Crankshaft rear bearing oil -----	0.137
DAMPER - Crankshaft -----	0.659	SEAL KIT - Brake caliper -----	4.667
DIAPHRAGM - Fuel pump -----	3.925	SHAFT - Rear axle -----	5.420
DISTRIBUTOR -----	2.361	SHOCK ABSORBER -----	7.345
DRUM - Brake -----	5.809	SHOE & LINING - Brake -----	5.017
FACIA - Instrument panel cover -----	9.743	SPACER - Valve rocker arm pivot -----	0.429
FLARE - Front fender -----	8.130	SPRING - Brake adjusting nut -----	5.020
FLARE - Rear -----	12.940	SPRING - Brake caliper pad -----	5.020
FLYWHEEL & RING GEAR -----	0.666	SPRING - Brake shoe retractor -----	5.026
GASKET - Carburettor flange -----	3.726	SPRING - Brake wheel cylinder -----	4.669
GASKET - Exhaust pipe -----	3.611	SPRING - Front -----	6.361
GASKET - Manifold -----	3.270	SPRING - Oil pressure regulator -----	1.610
GAUGE - Fuel tank unit -----	3.107	SPRING - Rear -----	7.503
GEAR - Speedometer drive -----	4.337	SPRING - Valve -----	0.303
GEAR - Speedometer driven -----	4.337	STRUT - Parking brake -----	5.150
GUARD - Headlamp stone -----	9.632	TRANSMISSION -----	4.003
HEAD - Cylinder -----	0.269	TRIM - Wheel -----	5.871
HOSE - Brake -----	4.680	TUBE - Carburettor adaptor -----	3.726
HOSE - Crankcase ventilator -----	1.762	VALVE - Inlet -----	0.296
HOSE - Fuel line -----	3.163	VALVE - Exhaust -----	0.297
HOUSING - Rear axle -----	5.387	WASHER - Rocker arm pivot -----	0.429
HUB - Front wheel -----	6.307	WHEEL - Road -----	5.803
KIT - Brake wheel cylinder repair -----	4.665		
KNOB - Gearshift control lever -----	4.009		



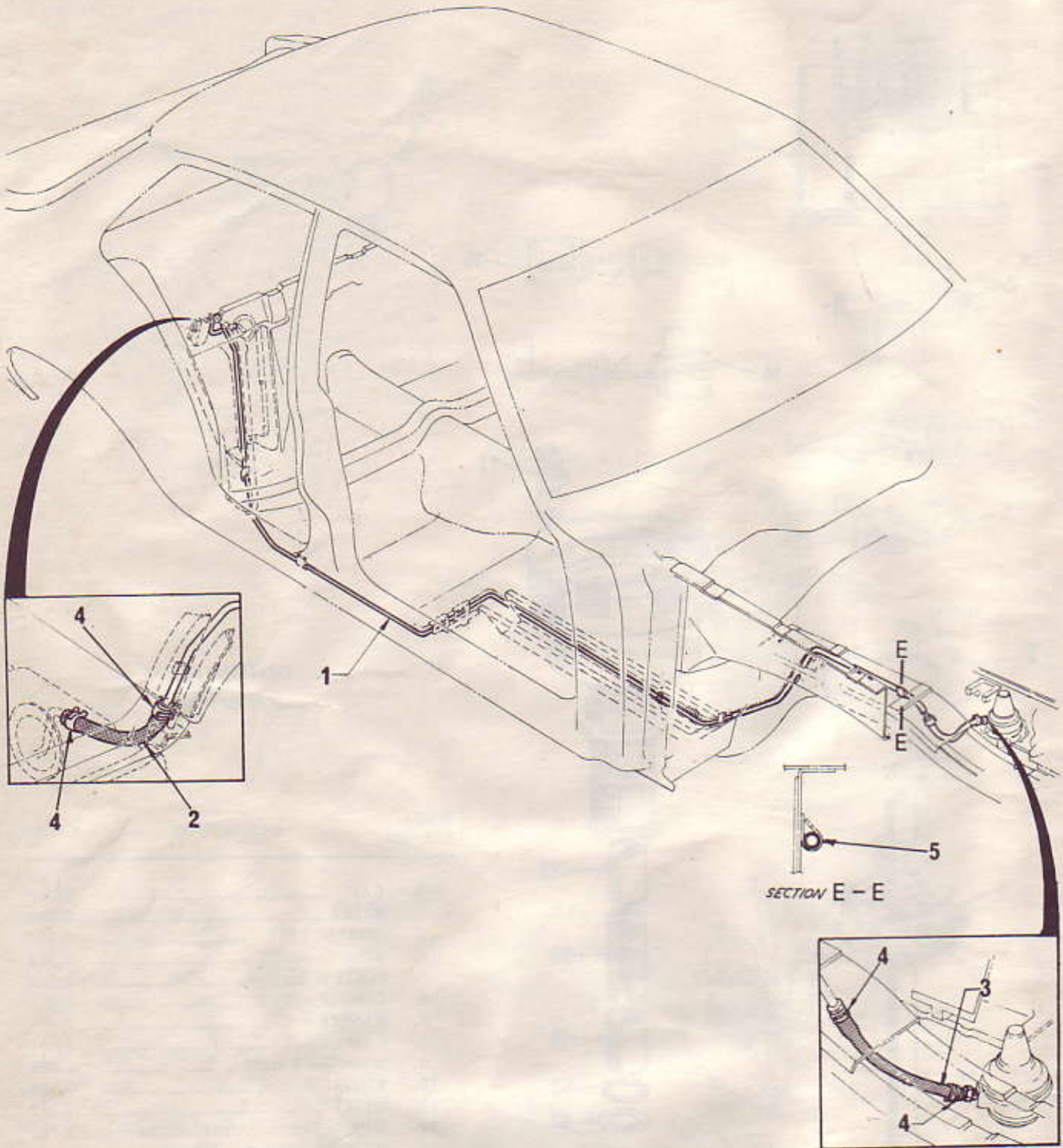
**COIL and ATTACHING PARTS  
(L34 OPTION)**

ILLUS. REF. NO.	PART NAME	GROUP	ILLUS. REF. NO.	PART NAME	GROUP
1.	COIL ASSEMBLY - Ignition .....	2.170	3.	LEAD - Distributor to coil .....	2.239
2.	BRACKET & SCREW ASSY. - Ignition coil	2.170			



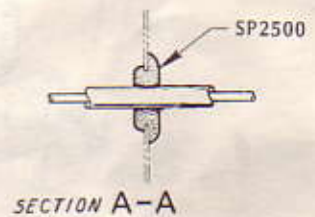
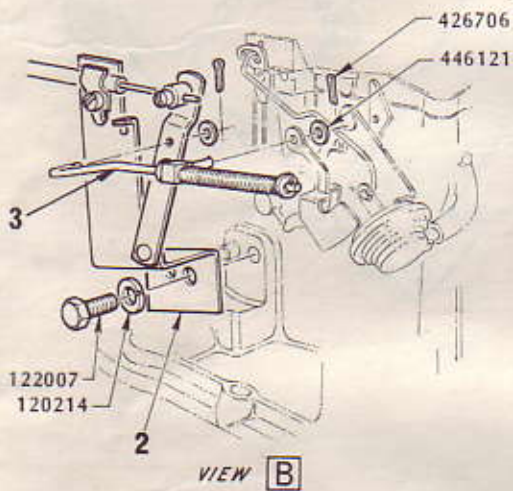
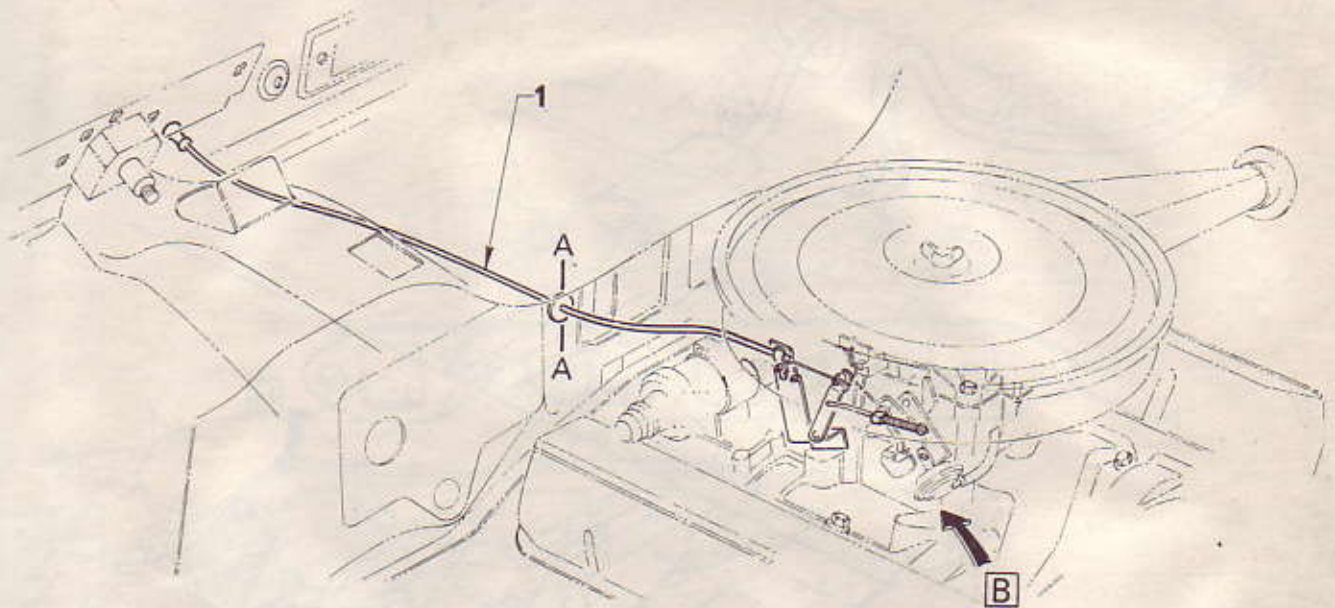
DISTRIBUTOR  
(L34 OPTION)

ILLUS. REF. NO.	DESCRIPTION	GROUP
1.	CAP .....	2.367
2.	ROTOR .....	2.382
3.	CONTACT SET .....	2.384
4.	WICK .....	2.364
5.	PLATE & SUPPORT .....	2.385
6.	CIRCLIP - Cam .....	2.381
7.	WASHER - Cam .....	2.381
8.	CAM .....	2.381
9.	SPRING - Weight .....	2.389
10.	WEIGHT .....	2.388
11.	SHAFT .....	2.372
12.	SHIM - Thrust - Upper & Lower ..	2.372
13.	WASHER - Thrust - Fibre - Upper & Lower .....	2.372
14.	GEAR .....	2.374
15.	PIN - Gear .....	2.379
16.	CONDENSER .....	2.393
17.	SPRING - Cap .....	2.368
18.	HOUSING .....	N.S.S.
19.	BUSHING .....	2.362
20.	FELT .....	2.362



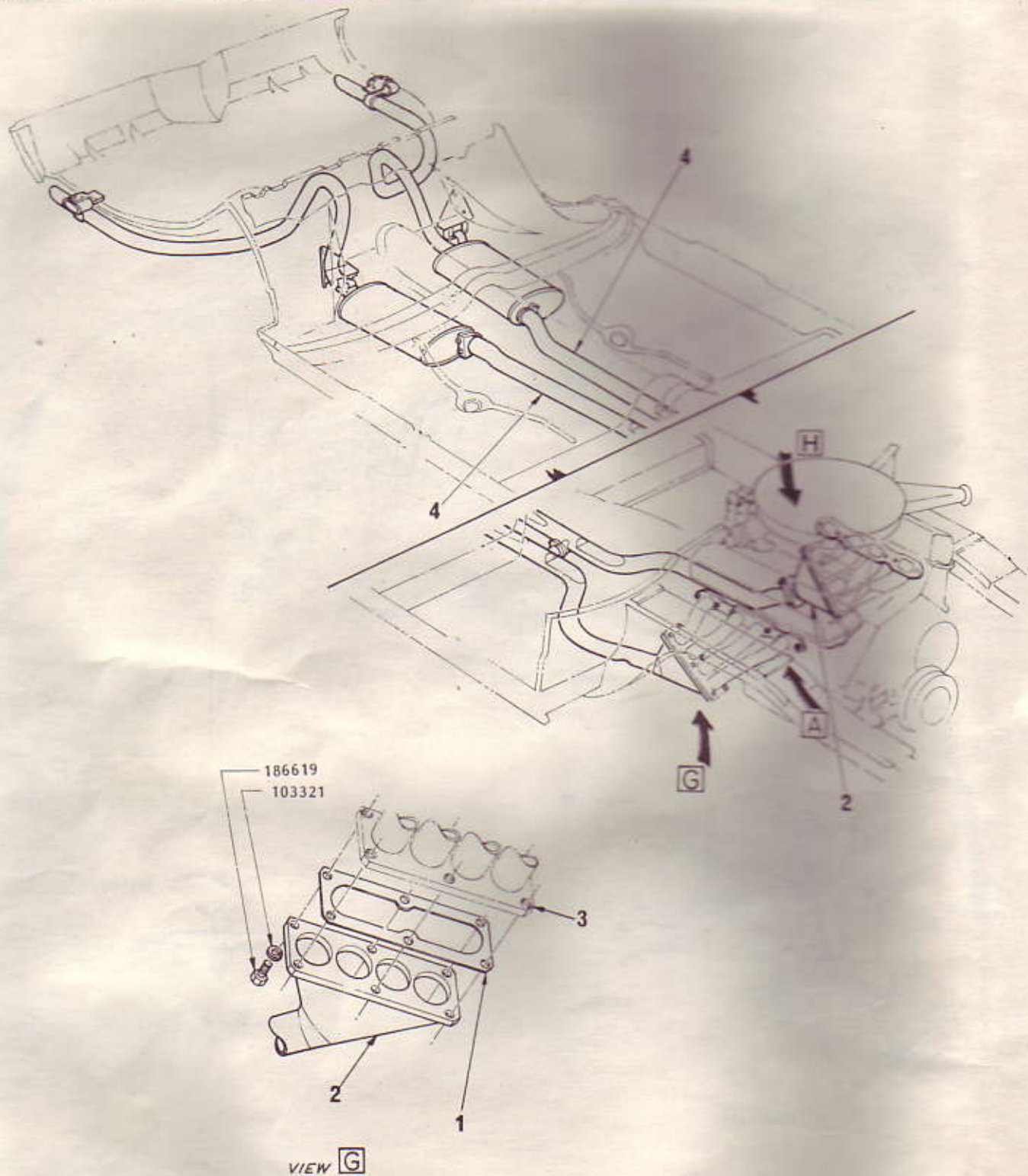
FUEL LINES  
(L34 OPTION)

ILLUS. REF. NO.	PART NAME	GROUP	ILLUS. REF. NO.	PART NAME	GROUP
1.	PIPE - Fuel tank to pump .....	3.158	4.	CLAMP - Hose .....	3.163
2.	HOSE - Fuel pipe to tank .....	3.163	5.	CLIP - Fuel pipe .....	3.202
3.	HOSE - Fuel pipe to pump .....	3.163			



**CHOKE CONTROL  
(L34 OPTION)**

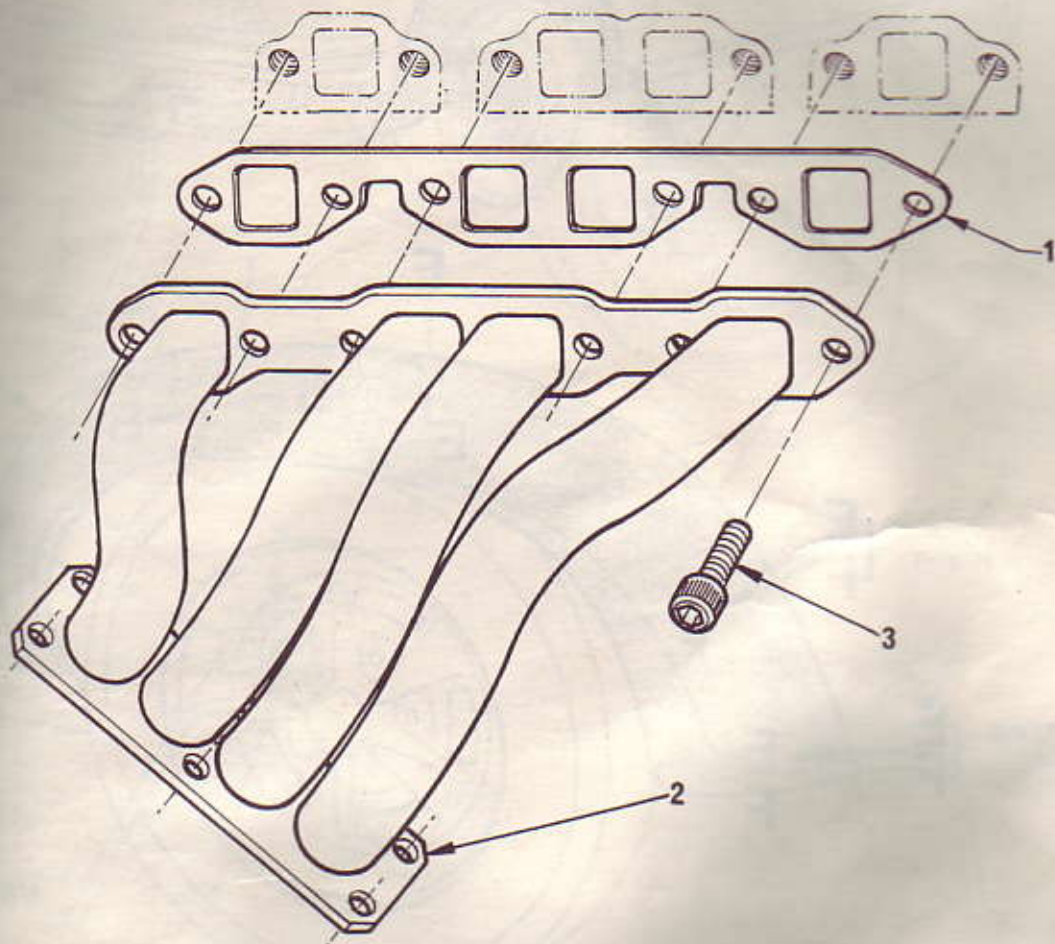
ILLUS. REF. NO.	PART NAME	GROUP	ILLUS. REF. NO.	PART NAME	GROUP
1.	CONTROL ASSEMBLY - Choke .....	3.521	3.	ROD ASSEMBLY - Choke actuating .....	3.521
2.	BRACKET - Choke control .....	3.521			



**EXHAUST SYSTEM  
(L34 OPTION)**

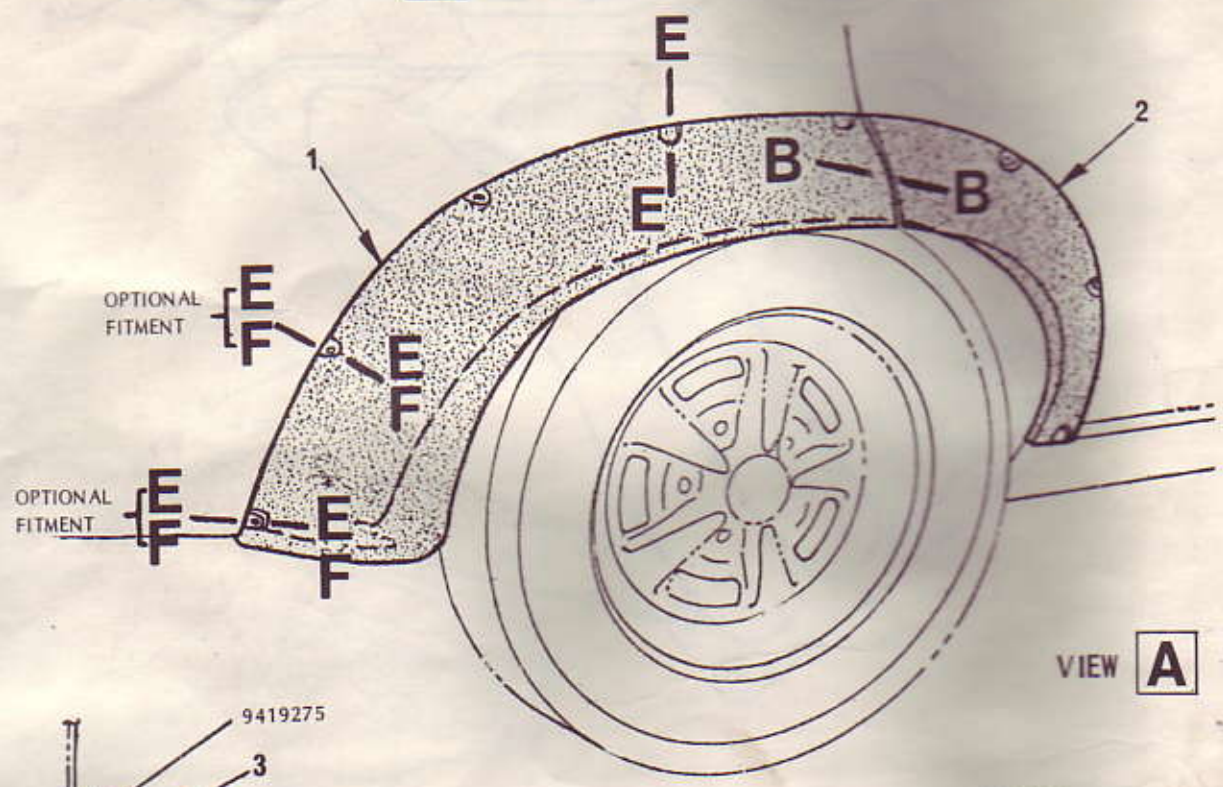
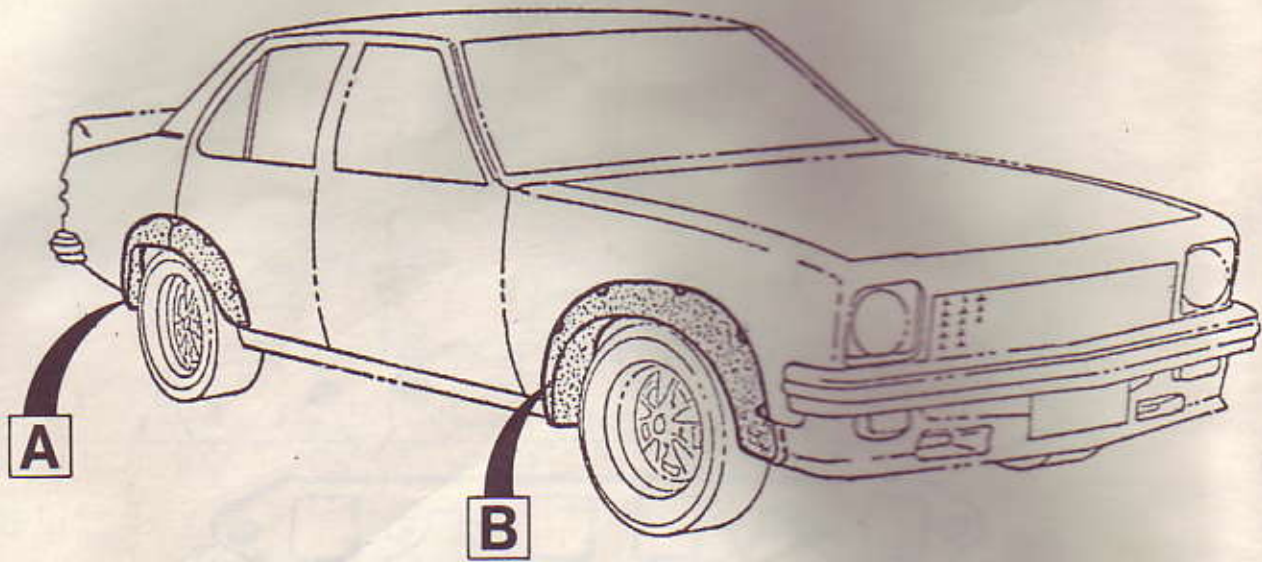
ILLUS. REF. NO.	PART NAME	GROUP	ILLUS. REF. NO.	PART NAME	GROUP
1.	GASKET - Manifold to collector .....	3.611	3.	MANIFOLD - Exhaust .....	3.601
2.	COLLECTOR .....	3.609	4.	PIPE ASSY. - Exhaust .....	3.609



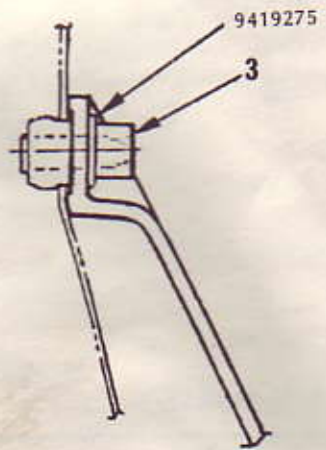


EXHAUST MANIFOLD  
(L34 OPTION)

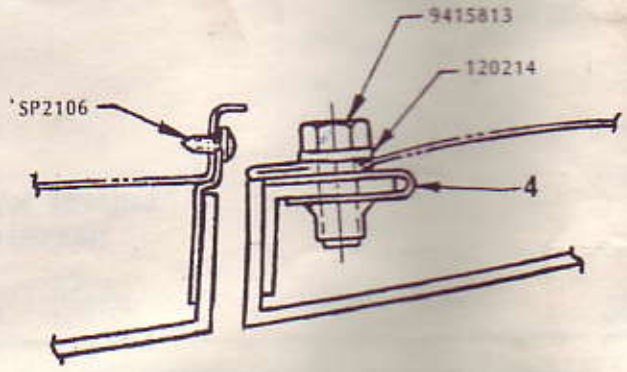
ILLUS. REF. NO.	PART NAME	GROUP	ILLUS. REF. NO.	PART NAME	GROUP
1.	GASKET - Exhaust manifold .....	3.270	3.	BOLT - Exhaust manifold to head .....	3.275
2.	MANIFOLD ASSY. - Exhaust .....	3.601			



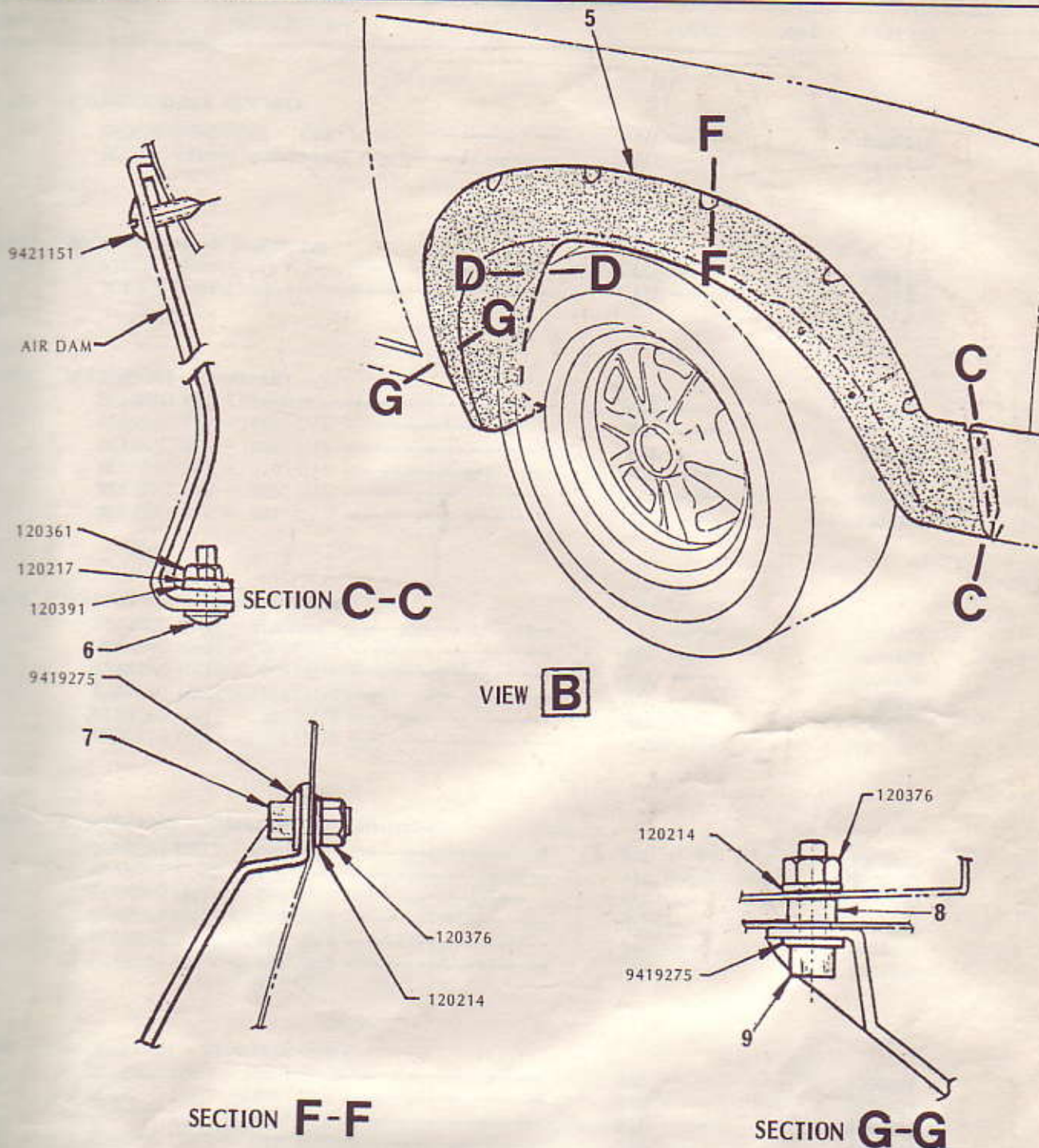
VIEW **A**



SECTION **E E**



SECTION **B B**



FENDER FLARES - FRONT and REAR

ILLUS. REF. NO.	PART NAME	GROUP	ILLUS. REF. NO.	PART NAME	GROUP
1.	FLARE - Quarter panel .....	12.940	6.	SCREW - Flare to air dam .....	8.130
2.	FLARE - Rear door .....	12.940	7.	SCREW - Flare to fender (5/16" - 18 x 5/8" .....	8.130
3.	SCREW - Rear .....	12.940	8.	SPACER - Flare to fender .....	8.130
4.	NUT - Rear .....	12.940	9.	SCREW - Flare to fender (5/16" - 18 x 1") .....	8.130
5.	FLARE - Front fender .....	8.130			

# HOLDEN "LH" PARTS CATALOGUE

GROUP	DESCRIPTION	MODEL	SIDE	PART NO.	QTY.
0.033	<b>CYLINDER BLOCK ASSEMBLY</b>				
	BLOCK COMPLETE - (Short Motor) -----	ALL -----		9936518	1
	BLOCK - Fitted with pistons -----	ALL -----		9936519	1
0.056	<b>BOLT - Crankshaft bearing cap</b>				
	STUD - Bearing cap -----	ALL -----		9936389	6
	BOLT - Bearing cap -----	ALL -----		7448829	4
0.094	<b>BEARING SET - Crankshaft</b>				
	BEARING SET - Standard -----	ALL -----		9936534	1
	BEARING SET - .001" U/S -----	ALL -----		9936536	1
	BEARING SET - .002" U/S -----	ALL -----		9936538	1
	BEARING SET - .010" U/S -----	ALL -----		9936544	1
	BEARING SET - .020" U/S -----	ALL -----		9936550	1
	BEARING SET - .030" U/S -----	ALL -----		9936556	1
0.096	<b>BEARING UNIT - Crankshaft front</b>				
	BEARING UNIT - Standard -----	ALL -----		9936535	1
	BEARING UNIT - .001" U/S -----	ALL -----		9936537	1
	BEARING UNIT - .002" U/S -----	ALL -----		9936539	1
	BEARING UNIT - .010" U/S -----	ALL -----		9936545	1
	BEARING UNIT - .020" U/S -----	ALL -----		9936551	1
	BEARING UNIT - .030" U/S -----	ALL -----		9936557	1
0.099	<b>BEARING UNIT - Crankshaft front intermediate</b>				
	BEARING UNIT - Standard -----	ALL -----		9936535	1
	BEARING UNIT - .001" U/S -----	ALL -----		9936537	1
	BEARING UNIT - .002" U/S -----	ALL -----		9936539	1
	BEARING UNIT - .010" U/S -----	ALL -----		9936545	1
	BEARING UNIT - .020" U/S -----	ALL -----		9936551	1
	BEARING UNIT - .030" U/S -----	ALL -----		9936557	1
0.101	<b>BEARING UNIT - Crankshaft centre</b>				
	BEARING UNIT - Standard -----	ALL -----		9936535	1
	BEARING UNIT - .001" U/S -----	ALL -----		9936537	1
	BEARING UNIT - .002" U/S -----	ALL -----		9936539	1
	BEARING UNIT - .010" U/S -----	ALL -----		9936545	1
	BEARING UNIT - .020" U/S -----	ALL -----		9936551	1
	BEARING UNIT - .030" U/S -----	ALL -----		9936557	1
0.103	<b>BEARING UNIT - Crankshaft rear intermediate</b>				
	BEARING UNIT - Standard -----	ALL -----		9936535	1
	BEARING UNIT - .001" U/S -----	ALL -----		9936537	1
	BEARING UNIT - .002" U/S -----	ALL -----		9936539	1
	BEARING UNIT - .010" U/S -----	ALL -----		9936545	1
	BEARING UNIT - .020" U/S -----	ALL -----		9936551	1
	BEARING UNIT - .030" U/S -----	ALL -----		9936557	1

# HOLDEN "LH" PARTS CATALOGUE

GROUP	DESCRIPTION	MODEL	SIDE	PART NO.	QTY.
0.105	CAP - Crankshaft rear bearing CAP -----	ALL -----		2811795	1
0.106	BEARING UNIT - Crankshaft rear BEARING UNIT - Standard ----- BEARING UNIT - .001" U/S ----- BEARING UNIT - .002" U/S ----- BEARING UNIT - .010" U/S ----- BEARING UNIT - .020" U/S ----- BEARING UNIT - .030" U/S -----	ALL ----- ALL ----- ALL ----- ALL ----- ALL ----- ALL -----		9936599 9936600 9936601 9936602 9936603 9936604	1 1 1 1 1 1
0.137	SEAL - Crankshaft rear bearing oil SEAL PACKAGE -----	ALL -----		9929165	1
0.269	HEAD ASSEMBLY - Cylinder HEAD COMPLETE ----- HEAD -----	ALL ----- ALL -----		9936482 9936382	2 2
0.296	VALVE - Inlet VALVE - Standard ----- VALVE - .0015" O/S ----- VALVE - .003" O/S ----- VALVE - .015" O/S ----- VALVE - .030" O/S -----	ALL ----- ALL ----- ALL ----- ALL ----- ALL -----		9935278 9935279 9935280 9935281 9935282	8 8 8 8 8
0.297	VALVE - Exhaust VALVE - Standard ----- VALVE - .0015" O/S ----- VALVE - .003" O/S ----- VALVE - .015" O/S ----- VALVE - .030" O/S -----	ALL ----- ALL ----- ALL ----- ALL ----- ALL -----		9935284 9935285 9935286 9935287 9935288	8 8 8 8 8
0.429	BEARING and HOUSING, PIVOT, SPACER, PLATE - Valve rocker arm BEARING & HOUSING ----- PIVOT ----- SPACER - Pivot ----- PLATE - Pivot locating ----- BEARING - Rocker arm ----- BOLT - Pivot ----- WASHER - Pivot & arm to cylinder head -----	ALL ----- ALL ----- ALL ----- ALL ----- ALL ----- ALL ----- ALL -----		9934971 <del>9934988</del> 9934969 9934970 9934972 454864 2808133	32 16 16 8 32 16 16

**HOLDEN "LH" PARTS CATALOGUE**  
**SL/R5000 WITH L34 OPTION**  
**INCORPORATING "HIGH OUTPUT PACKAGE"**

**AMENDMENT BULLETIN**

GROUP	DESCRIPTION	MODEL	SIDE	PART NO.	NEW PART NO.	QTY	REMARKS
<b>L34 OPTION - PAGES 3 - 26</b>							
0.386	COVER ASSEMBLY - Valve rocker	ALL	LH	9932902		1	Add.
			RH	9932874		1	Add.
1.069	PUMP ASSEMBLY - Water	ALL		9939822		1	Add.
1.516	CAP ASSEMBLY - Oil filler	ALL		3835665		1	Add.
1.652	PUMP ASSEMBLY - Oil			9936507	9939804		Amend Part No.
1.653	BUSHING - Oil pump drive shaft	ALL		9939823		1	Add.
1.723	COVER - Oil pump			9936606	9939805		Amend Part No.
1.762	HOSE - Engine breather to air cleaner	ALL		9939845		1	Add.
3.748	CAP - Carburettor vacuum port	ALL		9937792		1	Add.
4.351	GEAR - Clutch - 2.32:1 low gear ratio	ALL		9939483		1	Add.
4.421	GEAR - Counter - 2.32:1 low gear ratio	ALL		9939484		1	Add.

**ADDITIONS TO NUMERICAL INDEX**

PART NO.	GROUP	PART NO.	GROUP	PART NO.	GROUP	PART NO.	GROUP	PART NO.	GROUP
9932874	0.386	9937792	3.748	9939484	4.421	9939805	1.723	9939823	1.653
9932902	0.386	9939483	4.351	9939804	1.652	9939822	1.069	9939845	1.762

**DELETIONS FROM NUMERICAL INDEX**

PART NO.	GROUP	PART NO.	GROUP
9936507	1.652	9936606	1.723



# HOLDEN "LH" PARTS CATALOGUE

GROUP	DESCRIPTION	MODEL	SIDE	PART NO.	QTY.
0.603	ROD ASSEMBLY - Connecting ROD ASSEMBLY -----	ALL	----	9935142	8
0.616	BEARING SET, BEARING UNIT - Connecting rod BEARING SET - Standard ----- BEARING SET - .001" U/S ----- BEARING SET - .002" U/S ----- BEARING SET - .010" U/S ----- BEARING UNIT - Standard ----- BEARING UNIT - .001" U/S ----- BEARING UNIT - .002" U/S ----- BEARING UNIT - .010" U/S -----	ALL ALL ALL ALL ALL ALL ALL ALL ALL	---- ---- ---- ---- ---- ---- ---- ---- ----	9936523 9936525 9936527 9936530 9936524 9936526 9936528 9936531	1 1 1 1 8 8 8 8
0.623	BOLT - Connecting rod BOLT -----	ALL	----	3862720	16
0.626	NUT - Connecting rod bolt NUT -----	ALL	----	3866766	16
0.629	PISTON and PIN ASSEMBLY PISTON & PIN ASSEMBLY - Standard ----- PISTON & PIN ASSEMBLY - Standard, high limit -- PISTON & PIN ASSEMBLY - .001" O/S ----- PISTON & PIN ASSEMBLY - .002" O/S ----- PISTON & PIN ASSEMBLY - .020" O/S ----- PISTON & PIN ASSEMBLY - .030" O/S -----	ALL ALL ALL ALL ALL ALL	---- ---- ---- ---- ---- ----	9936570 9936571 9936572 9936573 9936574 9936575	8 8 8 8 8 8
0.646	CRANKSHAFT ASSEMBLY CRANKSHAFT ASSEMBLY -----	ALL	----	7439898	1
0.659	DAMPER ASSEMBLY - Crankshaft DAMPER ASSEMBLY ----- PLATE - Damper retaining ----- WASHER - Plate to damper assembly ----- BOLT - Pulley to crankshaft -----	ALL ALL ALL ALL	---- ---- ---- ----	9937701 9935223 SP1445 SP2569	1 1 4 4
0.666	FLYWHEEL and RING GEAR ASSEMBLY FLYWHEEL & RING GEAR ASSEMBLY -----	ALL	----	9934573	1

**HOLDEN "LH" PARTS CATALOGUE**

GROUP	DESCRIPTION	MODEL	SIDE	PART NO.	QTY.
1.218	RADIATOR ASSEMBLY RADIATOR ASSEMBLY -----	ALL	----	9928803	1
1.426	PAN ASSEMBLY - Oil PAN & BAFFLE ASSEMBLY -----	ALL	----	9934236	1
	BAFFLE - Oil pan anti-aeration -----	ALL	----	9935156	1
1.610	SPRING - Oil pressure regulator valve SPRING -----	ALL	----	9936511	1
1.652	PUMP ASSEMBLY - Oil PUMP ASSEMBLY -----	ALL	----	9936507	1
1.656	PIPE and SCREEN ASSEMBLY - Oil pump PIPE & SCREEN ASSEMBLY -----	ALL	----	9935213	1
1.723	COVER - Oil pump COVER -----	ALL	----	9936606	1



# HOLDEN "LH" PARTS CATALOGUE

GROUP	DESCRIPTION	MODEL	SIDE	PART NO.	QTY.
2.170	COIL ASSEMBLY - Ignition				
	COIL ASSEMBLY - (Bosch) -----	ALL -----		7435105	2
	COIL ASSEMBLY - (Lucas) -----	ALL -----		7440470	2
2.170	BRACKET ASSEMBLY - Ignition coil				
	BRACKET & SCREW ASSEMBLY - (Bosch) -----	ALL -----	LH	7422780	1
	BRACKET & SCREW ASSEMBLY - (Lucas) -----	ALL -----	LH	7422907	1
2.239	CABLE ASSEMBLY - Distributor to coil				
	CABLE ASSEMBLY -----	ALL -----		7117968	1
2.361	DISTRIBUTOR ASSEMBLY				
	DISTRIBUTOR ASSEMBLY - Dual contact -----	ALL -----		9937286	1
2.362	BUSHING, FELT, GASKET - Distributor				
	BUSHING -----	ALL -----		VS10842	2
	FELT -----	ALL -----		VS10844	1
	GASKET -----	ALL -----		7434855	1
2.364	WICK - Distributor				
	WICK -----	ALL -----		VS10210	1
2.367	CAP - Distributor				
	CAP -----	ALL -----		VS12776	1
2.368	SPRING - Distributor cap retaining				
	SPRING -----	ALL -----		VS10868	2
2.370	BRUSH - Distributor cap				
	BRUSH -----	ALL -----		7405562	1

# HOLDEN "LH" PARTS CATALOGUE

GROUP	DESCRIPTION	MODEL	SIDE	PART NO.	QTY.
2.372	SHAFT - Distributor				
	SHAFT -----	ALL -----		VS10849	1
	WASHER - Thrust fibre - upper & lower -----	ALL -----		7424746	2
	SHIM - Thrust 0.1 mm - upper & lower -----	ALL -----		7405613	AR
	SHIM - Thrust 0.2 mm - upper & lower -----	ALL -----		7405615	AR
	SHIM - Thrust 0.3 mm - upper & lower -----	ALL -----		7405614	AR
2.374	GEAR - Distributor				
	GEAR -----	ALL -----		VS10976	1
2.379	PIN - Distributor				
	PIN - Slotted spring -----	ALL -----		VS10855	1
2.381	CAM, WASHER, CIRCLIP - Distributor				
	CAM -----	ALL -----		VS12774	1
	RING - Cam spacer -----	ALL -----		VS10211	1
	WASHER - Cam retainer -----	ALL -----		VS10203	1
	CIRCLIP - Cam retainer -----	ALL -----		VS10204	1
2.382	ROTOR - Distributor				
	ROTOR -----	ALL -----		VS12775	1
2.384	CONTACT SET - Distributor				
	CONTACT SET -----	ALL -----		VS12778	2
2.385	PLATE - Distributor breaker				
	PLATE & CONTACT BREAKER ASSEMBLY -----	ALL -----		VS12773	1
	WASHER - Support screw lock -----	ALL -----		VS10992	2
	BALL - Plate retaining -----	ALL -----		7406742	1
	RETAINER - Plate ball -----	ALL -----		VS10863	1
	SCREW - Plate support -----	ALL -----		VS10847	2
2.387	SCREW - Distributor				
	SCREW - Contact breaker -----	ALL -----		7424749	1
	WASHER - Plain -----	ALL -----		7406900	1
	WASHER - Screw lock -----	ALL -----		7406323	1

# HOLDEN "LH" PARTS CATALOGUE

GROUP	DESCRIPTION	MODEL	SIDE	PART NO.	QTY.
2.388	WEIGHT - Distributor				
	WEIGHT -----	ALL ----		VS10205	2
	WASHER - Weight spacer -----	ALL ----		VS10206	2
2.389	SPRING - Distributor weight				
	SPRING - Light -----	ALL ----		VS10851	1
	SPRING - Heavy -----	ALL ----		VS10986	1
2.393	CONDENSER - Distributor				
	CONDENSER -----	ALL ----		VS10846	2
	SCREW & WASHER - Attaching -----	ALL ----		VS10982	1
2.410	SIDE PLATE - Distributor				
	SIDE PLATE -----	ALL ----		VS12779	1
	SCREW & WASHER - Attaching -----	ALL ----		VS10982	1
2.414	CLAMP, RETAINER - Distributor				
	CLAMP -----	ALL ----		7421939	1
	RETAINER -----	ALL ----		3770598	1
2.731	RING - Headlamp retaining				
	RING -----	ALL ----		9937561	2

# HOLDEN "LH" PARTS CATALOGUE

GROUP	DESCRIPTION	MODEL	SIDE	PART NO.	QTY.
3.158	PIPE ASSEMBLY - Fuel PIPE ASSEMBLY - Fuel tank to pump -----	ALL -----		9937421	1
3.163	HOSE - Fuel line				
	HOSE - Fuel pump to pipe -----	ALL -----		9937403	1
	HOSE - Fuel tank to pipe -----	ALL -----		9937233	1
	CLAMP - Fuel hose to pipe -----	ALL -----		3786276	2
	CLAMP - Fuel pump to hose -----	ALL -----		3786275	1
	CLAMP - Fuel tank to hose -----	ALL -----		3786275	1
3.202	PIPE FITTINGS				
	CLIP - Fuel pipe to engine side rail -----	ALL -----		9930835	1
	CLIP - Fuel pipe to tank support bracket -----	ALL -----		9930835	1
	CLIP - Fuel pipe to floor pan -----	ALL -----		9930835	1
3.265	MANIFOLD - Inlet MANIFOLD -----	ALL -----		9936304	1
3.270	GASKET - Manifold GASKET - Exhaust manifold -----	ALL -----		9937264	2
3.275	BOLT - Exhaust manifold BOLT - Exhaust manifold to cylinder head - (Hex. soc. hd. cap 3/8" - 16 x 1") -----	ALL -----		SP2575	12
3.402	AIR CLEANER and SILENCER ASSEMBLY AIR CLEANER & SILENCER ASSEMBLY -----	ALL -----		9936586	1

# HOLDEN "LH" PARTS CATALOGUE

GROUP	DESCRIPTION	MODEL	SIDE	PART NO.	QTY.
3.521	CONTROL ASSEMBLY - Choke				
	CONTROL ASSEMBLY -----	ALL -----		9936419	1
	BRACKET ASSEMBLY - Choke control retaining ---	ALL -----		9935041	1
	ROD ASSEMBLY - Choke actuating -----	ALL -----		9936435	1
3.601	MANIFOLD ASSEMBLY - Exhaust				
	MANIFOLD ASSEMBLY -----	ALL -----	LH	9937149	1
	MANIFOLD ASSEMBLY -----	ALL -----	RH	9937150	1
3.609	PIPE ASSEMBLY, COLLECTOR ASSEMBLY - Exhaust				
	PIPE ASSEMBLY -----	ALL -----	LH	9937157	1
	COLLECTOR ASSEMBLY -----	ALL -----	LH	9937151	1
	PIPE & COLLECTOR ASSEMBLY -----	ALL -----	RH	9937152	1
3.611	GASKET - Exhaust pipe				
	GASKET - Manifold to collector -----	ALL -----	LH	9937155	1
	GASKET - Manifold to collector -----	ALL -----	RH	9937240	1
3.616	CLAMP, "U" BOLT - Exhaust pipe				
	CLAMP - Pipe to collector -----	ALL -----	LH	7433738	1
	"U" BOLT - Pipe to collector -----	ALL -----	LH	7433737	1
3.900	PUMP ASSEMBLY - Fuel				
	PUMP ASSEMBLY -----	ALL -----		9936576	1
3.925	DIAPHRAGM ASSEMBLY - Fuel pump				
	DIAPHRAGM & PULL ROD ASSEMBLY -----	ALL -----		9937120	1

# HOLDEN "LH" PARTS CATALOGUE

GROUP	DESCRIPTION	MODEL	SIDE	PART NO.	QTY.
4.003	TRANSMISSION ASSEMBLY TRANSMISSION ASSEMBLY -----	ALL -----		9937408	1
4.006	LEVER - Gearshift control MOUNTING & LEVER ASSEMBLY ----- LEVER & YOKE ASSEMBLY ----- BUSH - Gearshift control lever -----	ALL ----- ALL ----- ALL -----		9937337 9937392 9937414	1 1 1
4.009	KNOB - Gearshift control lever KNOB ----- NUT - Knob lock -----	ALL ----- ALL -----		2817736 2805499	1 1
4.337	GEAR - Speedometer driven GEAR - Driven - 20 teeth - white ----- GEAR - Drive -----	ALL ----- ALL -----		7430968 5258494	1 1
4.665	CYLINDER ASSEMBLY, BODY, REPAIR KIT - Wheel cylinder CYLINDER ASSEMBLY - Rear ----- BODY - Rear ----- REPAIR KIT - Rear -----	ALL ----- ALL ----- ALL -----		7438310 7438311 7439077	2 2 2
4.667	CUP - Wheel brake cylinder CUP - Rear -----	ALL -----		5455481	4
4.667	SEAL KIT - Front caliper SEAL KIT - Front caliper -----	ALL -----		VS11918	1
4.668	PISTON - Wheel brake cylinder, caliper PISTON - Front caliper ----- PISTON - Rear -----	ALL ----- ALL -----		VS11927 7438367	4 4
4.669	SPRING - Wheel brake cylinder SPRING - Rear -----	ALL -----		5455421	2
4.670	BOOT - Wheel brake cylinder BOOT - Rear -----	ALL -----		7438425	4

# HOLDEN "LH" PARTS CATALOGUE

GROUP	DESCRIPTION	MODEL	SIDE	PART NO.	QTY.
4.675	LINK - Wheel brake cylinder connecting LINK - Rear -----	ALL -----		7433172	4
4.680	HOSE - Brake HOSE - Front -----	ALL -----		9937318	2
4.685	PIPE ASSEMBLY, CLIP - Brake PIPE ASSEMBLY - Connector to rear brake ----- CLIP - Pipe to engine side rail -----	ALL ----- ALL -----	LH RH	9935161 9935160 9936423	1 1 1
4.826	CABLE ASSEMBLY - Parking brake CABLE ASSEMBLY - Rear -----	ALL -----	LH RH	9935171 9935170	1 1
5.001	PLATE - Brake backing PLATE ASSEMBLY - Rear -----	ALL -----	LH RH	2814721 2814722	1 1
5.010	CALIPER ASSEMBLY - Disc brake CALIPER ASSEMBLY - (PBR) -----	ALL -----	LH RH	9932485 9932484	1 1
5.017	SHOE and LINING ASSEMBLY - Brake SHOE & LINING SET - Rear -----	ALL -----		2819720	1
5.018	LINING SET - Brake PAD SET - Front ----- LINING SET - Rear -----	ALL ----- ALL -----		VS12742 2819726	1 1
5.020	REPAIR KIT - Brake caliper guide REPAIR KIT - Front caliper sleeve -----	ALL -----		VS11931	1

# HOLDEN "LH" PARTS CATALOGUE

GROUP	DESCRIPTION	MODEL	SIDE	PART NO.	QTY.
5.020	SPRING - Brake caliper pad SPRING - Anti-rattle -----	ALL -----		VS11928	2
5.026	SPRING - Brake shoe retractor SPRING ----- SPRING - Brake adjusting nut -----	ALL ----- ALL -----		7433016 7432147	4 2
5.041	PIN - Brake shoe hold down PIN - Rear -----	ALL -----		7433915	4
5.045	PLATE - Brake shoe guide PLATE - Rear -----	ALL -----		7437019	2
5.105	LINK - Brake adjuster LINK - Black - Effective length 3.90" ----- LINK - Red - Effective length 3.96" ----- LINK - Yellow - Effective length 4.02" -----	ALL ----- ALL ----- ALL -----		* 7433017 * 7433018 * 7433019	2 2 2
5.110	SCREW - Brake shoe adjusting SCREW -----	ALL -----	LH RH	2820531 2820530	1 1
5.111	NUT - Brake shoe adjusting NUT -----	ALL -----	LH RH	7433131 7433130	1 1
5.149	LEVER ASSEMBLY - Parking brake actuating LEVER ASSEMBLY -----	ALL -----	LH RH	7433121 7433122	1 1
5.150	STRUT - Parking brake actuating lever STRUT -----	ALL -----		2814723	2

\* Selective fit



**HOLDEN "LH" PARTS CATALOGUE**

GROUP	DESCRIPTION	MODEL	SIDE	PART NO.	QTY.
5.387	HOUSING ASSEMBLY - Rear axle HOUSING ASSEMBLY -----	ALL -----		9935109	1
5.420	SHAFT - Rear axle SHAFT ASSEMBLY -----	ALL -----		9935184	2
5.803	WHEEL ASSEMBLY - Road WHEEL ASSEMBLY - 6.00 x 14 -----	ALL -----		9935245	5
5.809	DRUM ASSEMBLY - Brake DRUM ASSEMBLY - Rear -----	ALL -----		2813229	2
5.871	TRIM ASSEMBLY - Wheel TRIM & INSERT - Wheel centre -----	ALL -----		9934625	4

# HOLDEN "LH" PARTS CATALOGUE

GROUP	DESCRIPTION	MODEL	SIDE	PART NO.	QTY.
6.008	MEMBER – Front suspension cross MEMBER ASSEMBLY -----	ALL -----		9936875	1
6.020	KNUCKLE – Steering KNUCKLE -----	ALL -----	LH RH	9932965 9932964	1 1
6.103	ARM – Steering ARM -----	ALL -----	LH RH	9935249 9935250	1 1
6.168	ARM ASSEMBLY – Control ARM & BALL JOINT ASSEMBLY - Upper control ---	ALL -----	LH RH	9937177 9937176	1 1
6.307	HUB ASSEMBLY – Front wheel HUB & DISC ASSEMBLY -----	ALL -----		2824526	2
6.361	SPRING – Front SPRING -----	ALL -----		9931027	2

# HOLDEN "LH" PARTS CATALOGUE

GROUP	DESCRIPTION	MODEL	SIDE	PART NO.	QTY.
7.345	SHOCK ABSORBER ASSEMBLY SHOCK ABSORBER PACKAGE - Rear -----	ALL -----		9933766	2
7.503	SPRING - Rear SPRING -----	ALL -----		2825057	2
7.831	BAR - Bumper face BAR - Front ----- BAR - Rear -----	ALL ----- ALL -----		2824379 2824342	1 1
8.130	FLARE - Front fender FLARE ----- SPACER - Flare to fender ----- SCREW - Flare to fender (Hex. soc. hd. cap 5/16" - 18 x 5/8") --- SCREW - Flare to fender (Hex. soc. hd. cap 5/16" - 18 x 1") ----- SCREW - Flare to air dam (Washer head No. 10-24 x .62") -----	ALL ----- ALL ----- ALL ----- ALL ----- ALL -----	LH RH	9932349 9932350 2822013 SP2571 SP2572 SP2056	1 1 2 12 2 2


# HOLDEN "LH" PARTS CATALOGUE

GROUP	DESCRIPTION	MODEL	SIDE	PART NO.	QTY.
9.632	GUARD PACKAGE - Headlight stone PACKAGE - 1 pair -----	ALL -----		9937562	1
9.743	FACIA ASSEMBLY - Instrument panel FACIA ASSEMBLY - Black ----- FACIA ASSEMBLY - Dark ash ----- FACIA ASSEMBLY - Chestnut -----	ALL ----- ALL ----- ALL -----		9928445CY 9928445DD 9928445DG	1 1 1
12.030	ASH TRAY ASSEMBLY ASH TRAY ASSEMBLY - Instrument panel -----	ALL -----		9932724	1
12.940	FLARE ASSEMBLY - Rear FLARE ASSEMBLY - Quarter panel ----- FLARE ASSEMBLY - Rear door ----- SCREW - Flare to quarter panel (Hex. soc. hd. cap 5/16" - 18 x 5/8") --- SCREW - Flare to door (Hex. soc. hd. cap 5/16" - 18 x 5/8") --- NUT - 5/16" insert (Flare to quarter panel) ----- NUT - 5/16" insert (Flare to door) ----- NUT - 5/16" - 18 "J" type (Flare to door) -----	ALL ----- ALL ----- ALL ----- ALL ----- ALL ----- ALL ----- ALL ----- ALL -----	LH RH LH RH	9937315 9937314 9937317 9937316 SP2571 SP2571 SP2343 SP2343 SP1585	1 1 1 1 10 6 10 6 2

# HOLDEN "LH" PARTS CATALOGUE

# HIGH OUTPUT PACKAGE

GROUP	DESCRIPTION	MODEL	SIDE	PART NO.	QTY.
0.000	ENGINE PACKAGE - High output PACKAGE -----	ALL -----		9937365	1
0.303	SPRING - Valve SPRING & DAMPER ASSEMBLY -----	ALL -----		3927142	16
0.333	ARM - Valve rocker ARM -----	ALL -----		9937417	16
0.426	ROD - Valve push ROD ----- LOCATER - Push rod ----- PLATE - Push rod locator -----	ALL ----- ALL ----- ALL -----		9936514 9933388 9933393	16 16 16
0.429	STUD ASSEMBLY - Valve rocker arm STUD ASSEMBLY -----	ALL -----		9937630	16
0.459	LIFTER ASSEMBLY - Valve LIFTER ASSEMBLY -----	ALL -----		5232695	16
0.519	CAMSHAFT CAMSHAFT PACKAGE -----	ALL -----		9937699	1
1.540	OIL COOLER ASSEMBLY OIL COOLER ASSEMBLY ----- ADAPTOR - Oil cooler to oil pump ----- CONNECTOR - Oil cooler to adaptor ----- "O" RING - Oil cooler to adaptor -----	ALL ----- ALL ----- ALL ----- ALL -----		3157804 9937702 9937703 9938211	1 1 1 1
1.762	HOSE - Crankcase ventilator HOSE - Engine breather -----	ALL -----		9937712	1

GROUP	DESCRIPTION	MODEL	SIDE	PART NO.	QTY.
2.270	PLUG ASSEMBLY - Spark PLUG - Spark -----	ALL -----		436TS	8
3.402	COVER - Carburettor air horn COVER ASSEMBLY -----	ALL -----		9937718	1
3.410	NUT - Cover NUT ----- 	ALL -----		SP1728	1
3.725	CARBURETTOR ASSEMBLY CARBURETTOR ASSEMBLY -----	ALL -----		9937629	1
3.726	ADAPTOR ASSEMBLY - Carburettor flange ADAPTOR ASSEMBLY -----	ALL -----		9936827	1
	GASKET - Carburettor to adaptor -----	ALL -----		9937635	1
	GASKET - Carburettor to manifold -----	ALL -----		9937634	1
	STUD - Adaptor to carburettor -----	ALL -----		SP2573	4
	SCREW - Adaptor to manifold -----	ALL -----		7429826	4
	TUBE - Carburettor adaptor -----	ALL -----		7433250	1

# HOLDEN "LH" PARTS CATALOGUE

PART NO.	GROUP	PART NO.	GROUP	PART NO.	GROUP
SP1445	0.659	2825057	7.503	9932485	5.010
SP1585	12.940	3157804	1.540	9932724	12.030
SP1728	3.410	3770598	2.414	9932964	6.020
SP2056	8.130	3862720	0.623	9932965	6.020
SP2343	12.940	2866766	0.626	9933388	0.426
SP2569	0.659	3927142	0.303	9933393	0.426
SP2571	8.130	5232695	0.459	9933766	7.345
SP2571	12.940	5258494	4.337	9934236	1.426
SP2572	8.130	5455421	4.669	9934573	0.666
SP2573	3.726	5455481	4.667	9934625	5.871
SP2575	3.275	7117968	2.239	9934968	0.429
VS10203	2.381	7405562	2.370	9934969	0.429
VS10204	2.381	7405613	2.372	9934970	0.429
VS10205	2.388	7405614	2.372	9934971	0.429
VS10206	2.388	7405615	2.372	9934972	0.429
VS10210	2.364	7406323	2.387	9935041	3.521
VS10211	2.381	7406742	2.385	9935046	3.107
VS10842	2.362	7406900	2.387	9935109	5.387
VS10844	2.362	7421939	2.414	9935142	0.603
VS10847	2.385	7422780	2.170	9935156	1.426
VS10849	2.372	7422907	2.170	9935160	4.685
VS10851	2.389	7424746	2.372	9935161	4.685
VS10855	2.379	7424749	2.387	9935170	4.826
VS10863	2.385	7429826	3.726	9935171	4.826
VS10868	2.368	7430968	4.337	9935184	5.420
VS10976	2.374	7432147	5.026	9935213	1.656
VS10982	2.393	7433016	5.026	9935223	0.659
VS10982	2.410	7433017	5.105	9935245	5.803
VS10986	2.389	7433018	5.105	9935249	6.103
VS10992	2.385	7433019	5.105	9935250	6.103
VS11918	4.667	7433121	5.149	9935278	0.296
VS11927	4.667	7433122	5.149	9935279	0.296
VS11928	5.020	7433130	5.111	9935280	0.296
VS11931	5.020	7433131	5.111	9935281	0.296
VS12742	5.018	7433172	4.675	9935282	0.296
VS12773	2.385	7433250	3.726	9935284	0.297
VS12774	2.381	7433737	3.616	9935285	0.297
VS12775	2.382	7433738	3.616	9935286	0.297
VS12776	2.367	7433915	5.041	9935287	0.297
VS10846	2.393	7434855	2.362	9935288	0.297
VS12778	2.384	7435105	2.170	9936304	3.265
VS12779	2.410	7437019	5.045	9936382	0.269
436TS	2.270	7438310	4.665	9936389	0.056
454864	0.429	7438311	4.665	9936419	3.521
2805499	4.009	7438367	4.668	9936423	4.685
2808133	0.429	7438425	4.670	9936435	3.521
2811795	0.105	7439077	4.665	9936482	0.269
2813229	5.809	7439898	0.646	9936507	1.652
2814721	5.001	7440470	2.170	9936511	1.610
2814722	5.001	7448829	0.056	9936514	0.426
2814723	5.150	9928445CY	9.743	9936518	0.033
2817736	4.009	9928445DD	9.743	9936519	0.033
2819720	5.017	9928445DG	9.743	9936523	0.616
2819726	5.018	9928803	1.219	9936524	0.616
2820630	5.110	9929165	0.137	9936525	0.616
2820631	5.110	9930835	3.202	9936526	0.616
2822073	8.130	9931027	6.361	9936527	0.616
2824342	7.831	9932349	8.130	9936528	0.616
2824379	7.831	9932350	8.130	9936530	0.616
2824384	6.307	9932484	5.010	9936531	0.616

# HOLDEN "LH" PARTS CATALOGUE

PART NO.	GROUP	PART NO.	GROUP	PART NO.	GROUP
9936534	0.094	9937635	3.726		
9936535	0.096	9937699	0.519		
9936536	0.094	9937701	0.659		
9936537	0.096	9937702	1.540		
9936538	0.094	9937703	1.540		
9936539	0.096	9937712	1.762		
9936544	0.094	9937713	3.402		
9936545	0.096	9938211	1.540		
9936550	0.094				
9936551	0.096				
9936556	0.094				
9936557	0.096				
9936570	0.629				
9936571	0.629				
9936572	0.629				
9936573	0.629				
9936574	0.629				
9936575	0.629				
9936576	3.900				
9936586	3.402				
9936599	0.106				
9936600	0.106				
9936601	0.033				
9936602	0.106				
9936603	0.106				
9936604	0.106				
9936606	1.723				
9936927	3.726				
9936875	6.008				
9937120	3.925				
9937149	3.601				
9937150	3.601				
9937151	3.609				
9937152	3.609				
9937155	3.611				
9937157	3.609				
9937176	6.168				
9937177	6.168				
9937233	3.163				
9937240	3.611				
9937264	3.270				
9937286	2.361				
9937314	12.940				
9937315	12.940				
9937316	12.940				
9937317	12.940				
9937318	4.680				
9937337	4.006				
9937365	0.000				
9937392	4.006				
9937403	3.163				
9937408	4.003				
9937414	4.006				
9937417	0.333				
9937421	3.158				
9937561	2.731				
9937562	9.632				
9937629	3.725				
9937630	0.429				
9937634	3.726				



