

## Rear Signal Lamp Kit Installation (Instruction ID:23281666)

### [Installation Instructions Part Number](#)

23281666

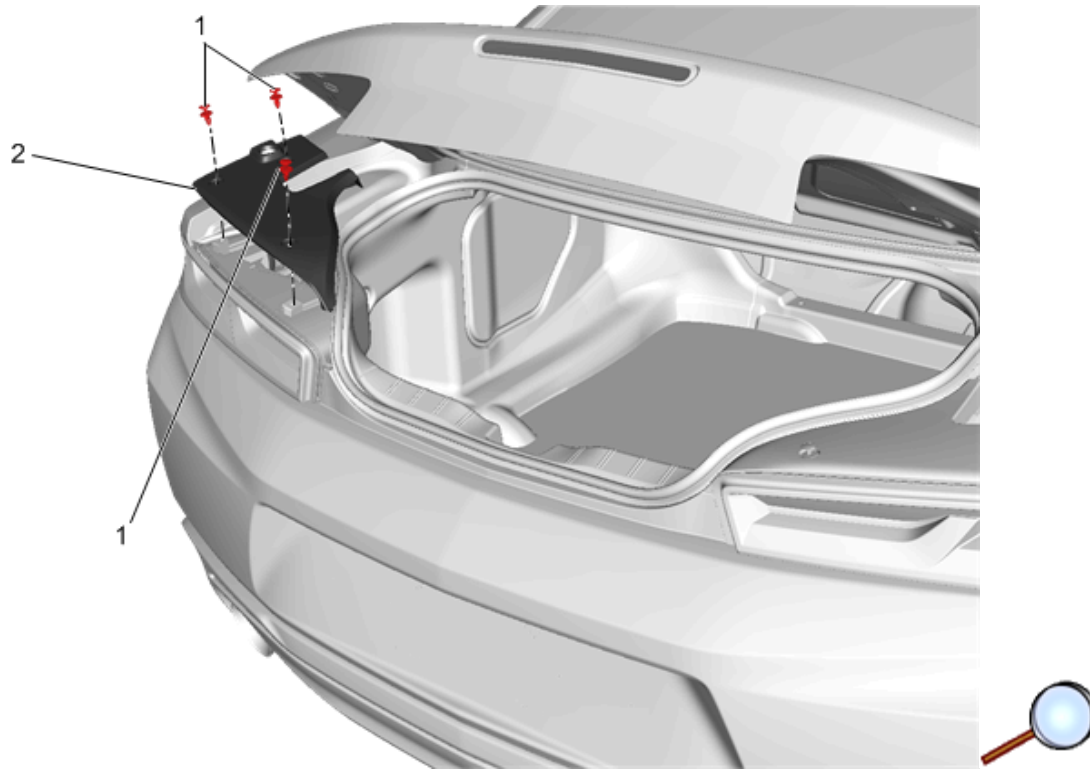
#### Kit Contents

Qty	Description
1	Lamp Assembly – Rear Body Structure (LH)
1	Lamp Assembly – Rear Body Structure (RH)
1	Installation Instructions

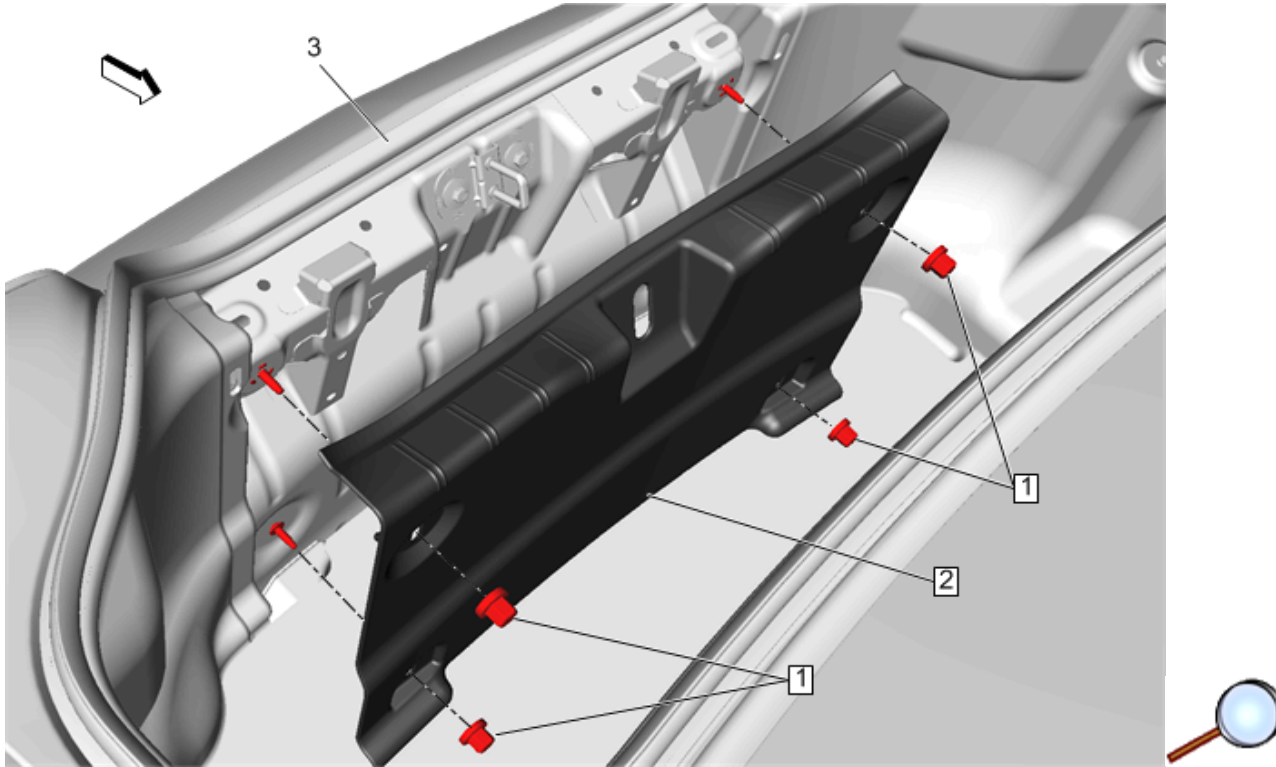
### Procedure

**Note:** Up-level exterior lamps have headlamps with one cavity for projector lamps, one cavity for turn signal lamps, and a wide light bar at the bottom. Accessory tail lamps cannot be used on vehicles that have base headlamps with three cavities (high beam, low beam, and turn signal bulbs).

1. Open and support the rear compartment lid.



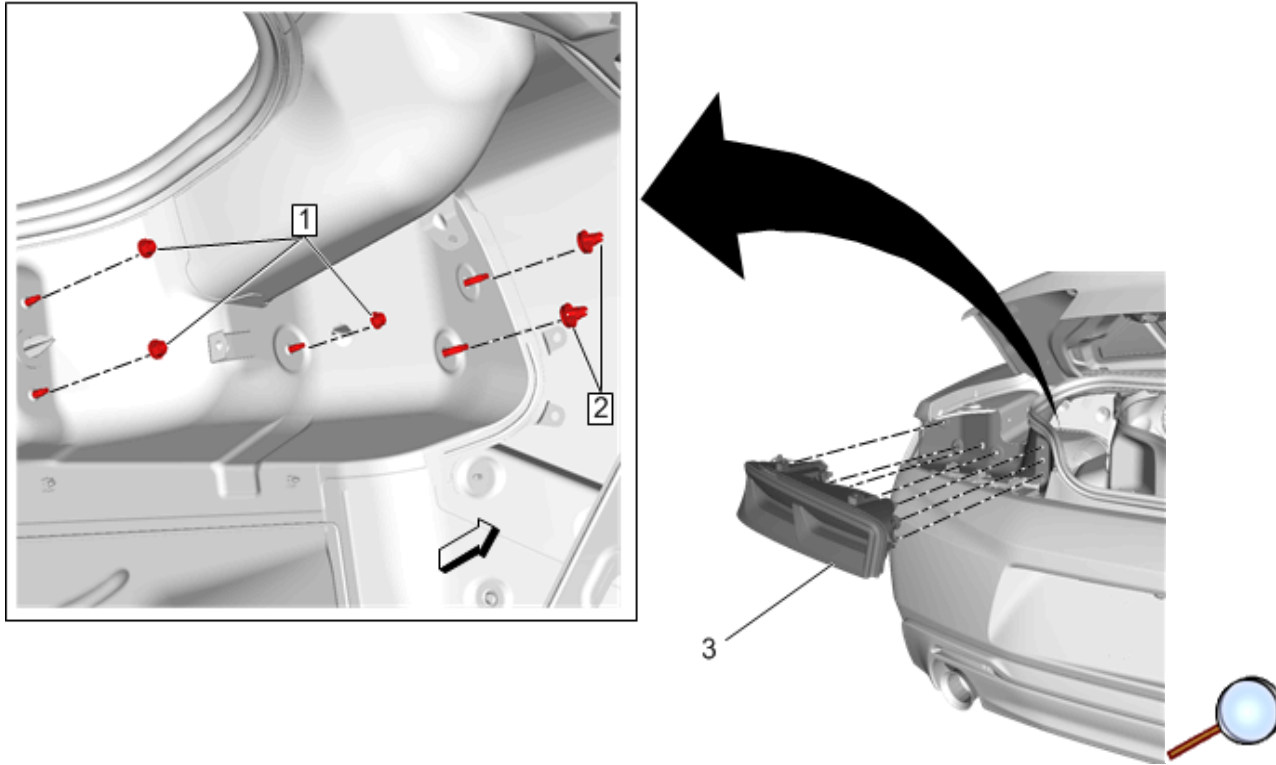
2. Using a suitable tool remove and retain the retainers (1).
3. Remove the tail lamp closeout filler panel (2).



4. Remove the retainers (1) from the rear end trim finish panel.
5. Remove the rear end trim finish panel (2) from the rear compartment.



6. Reposition the rear compartment trim panel (1) in order to gain access to the rear tail lamp nuts and retainers.



7. Remove and retain the nuts (1) and retainers (2) from the tail lamp.
8. Disconnect electrical connector from tail lamp.
9. Remove the tail lamp assembly (3) from the vehicle.
10. Connect the electrical connector and install replacement tail lamp assembly to the vehicle.
11. Install the nuts and retainers.  
**Tighten**  
Tighten the nuts to 5 Nm (11 lb ft).
12. Check function of tail lamp
13. Reinstall previously removed components.
14. Repeat procedure for other tail lamp.