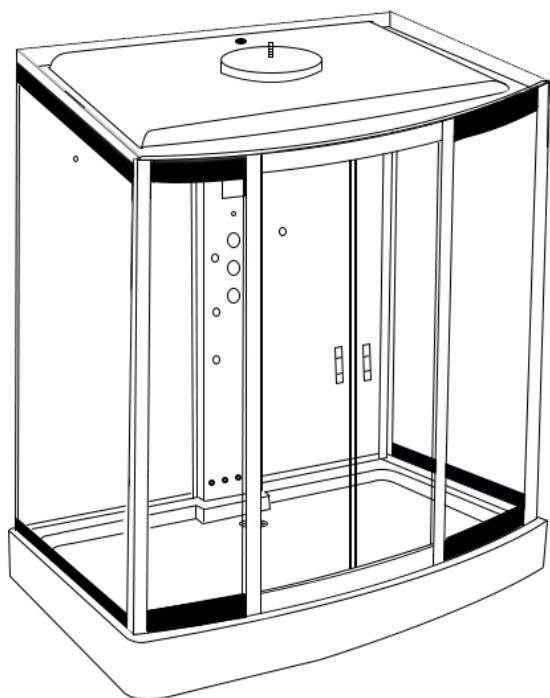


INSTALLATION MANUAL

INS0509



ATTENTION INSTALLERS:

These instructions must be left with the customer

CHECK ALL CONTENTS BEFORE BUILD COMMENCES. NO RETURNS CAN BE MADE ONCE THE BUILD HAS STARTED AS IT IS DEEMED ACCEPTANCE OF PRODUCT!

WARRANTY REG NO: _____

To claim your full 5 year warranty, register your shower within 90 days of delivery at: www.insigniarange.co.uk/warrantyreg.aspx. Standard 12 month warranty applies if outside this time period.

Contents

Introduction	3
Electrical Requirements	5
What's In The Boxes?	7
Screw Pack Contents	8
Plumbing Requirements	9
Schematics	10
Starting The Installation	11
Accessory Installation	19
Electric Box Connections	25
Steam Generator Connections	26
Sealing and Water Testing	27
Control Panel Instructions	28
Help Book Information	32



Thank you for your recent purchase of an Insignia shower. Please read this booklet with great care to ensure you get the best out of your build and have a shower that will last for many years to come!

Like everything, in order to obtain a first class product that will serve you well for many years, the effort and correctness put into the assembly will reflect in the quality of your finish.

OUR BADGE RATING IN TERMS OF DIFFICULTY OF ASSEMBLY IS BASED ON CLIENT FEEDBACK

1 Badge = Very easy

2 Badges = Easy

3 Badges = Moderate

4 Badges = Harder than average

5 Badges = Professional skills required

This shower is rated 3 Badges



ASSEMBLY AND PLUMBING

THIS PRODUCT BUILD IS RATED SUITABLE FOR DIY PURPOSES PROVIDING THE CUSTOMER IS OF ABOVE AVERAGE SKILL AND FEELS CONFIDENT IN THEIR ABILITY. ONLY YOU THE CUSTOMER WILL KNOW THIS SO BEFORE ANY ATTEMPT IS MADE TO ASSEMBLE, READ THROUGH THE FOLLOWING PAGES IN DETAIL THEN DECIDE. IF YOU HAVE ANY DOUBT USE THE SERVICES OF A PROFESSIONAL. IN PICKING SUCH, ALLOW THEM TO DECIDE IF THEY ARE CAPABLE OF BUILD BY FIRST SHOWING THESE INSTRUCTIONS TO THEM. ALWAYS GET THREE QUOTES.

REMEMBER THE BEST IS NOT ALWAYS THE CHEAPEST!

REMEMBER PLUMBERS PLUMB! 90% OF THIS JOB IS NOT PLUMBING!

DUE TO THE NATURE OF THIS PRODUCT WE HIGHLY ADVISE THE PURCHASE AND FITTING OF A WATER SOFTENER

(PLEASE NOTE LIMESCALE BUILD UP MAY CAUSE DAMAGE TO YOUR SHOWER AND WILL NOT BE COVERED UNDER WARRANTY)

ELECTRICAL CONNECTION TO HOUSE MAINS

WHEN YOUR ITEM IS ASSEMBLED ALWAYS USE THE SERVICES OF A FULLY QUALIFIED ELECTRICIAN COMPANY TO COMPLETE THE CONNECTION FROM SHOWER TO THE HOUSE SUPPLY. LAWS DEMAND IN MANY CASES YOU DO THIS AND YOUR WARRANTY IS VOID IN REGARDS TO THE ELECTRICAL ITEMS IF THIS IS NOT UNDERTAKEN.

YOURS AND OTHERS SAFETY IS PARAMOUNT. NEVER ATTEMPT THIS YOURSELF!

REMEMBER:

These showers are designed to be free standing and movable from their location should you have the need to replace anything. ALWAYS USE Flexible braided water inlet pipes (not supplied) at least a metre long (not central heating plastic type!)

Always use a flexible waste pipe from your house supply to the shower .

NEVER FIX with rigid pipes, NEVER FIX the unit to the wall.

DURING BUILD, LIKE ALL SHOWERS CORRECT SEALING IS IMPERATIVE.

If you are using Insignia's RubberGum, please ensure the product does not come in contact with your silicone as this will cause the RubberGum to fail and will not adhere as intended.

ATTENTION

ALWAYS FIT EASY TO GET TO ISOLATION TAPS ON BOTH THE HOT AND COLD WATER SUPPLY (NOT SUPPLIED). JUST LIKE A DISHWASHER OR WASHING MACHINE, THIS PRODUCT MUST BE ISOLATED WHEN NOT IN USE.

FLEXIBLE SUPPLY HOSES (NOT SUPPLIED) COUPLE HERE AS ORIGIN OF SUPPLY

TOTAL ELECTRICAL REQUIREMENTS

Voltage Rating	220 -240AC
Frequency Rating	50HZ
Power Rating	2.8KW

Your electrical contractor should understand **ALL** legal requirements of connection before undertaking any work or installation.

UNDER NO CIRCUMSTANCES UNDERTAKE THIS YOURSELF!!!

Note for electrician. This product comes with 13 amp plug(s) fitted with an RCD unit. We leave it this way for you to connect this your own way due to continued additions to current regulations.

1) Connect within current laws and IP directives.

2) (Preferred) Wire into isolated fused feed connecting directly to the house consumer/service box.

Always use protection against electrical surge. Your shower should be treated the same as a home computer. A surge protector should eradicate the possibility of either the transformer or control panel being burnt out.

Tool Requirements

None Supplied



Scissors



Stanley Blade



Silicone Gun



Spirit Level



Tape Measure



Philips Screwdriver



Electric Drill



Safety Gloves



Safety Glasses

PREVENT INJURIES!

This product may contain sharp edges. Assemble using gloves.

Use safety glasses when handling glass or drilling.

Adhesive Requirements



Bacteria Resistant Sanitary Silicone - (for vertical joints)

Not Supplied



RubberGum

Supplied



Plumbers Mait (for waste joints)

Not Supplied

Hardware Requirements



A Steam Shower requires 3 x 1 Metre Braided Hose

Not Supplied

Whilst the next steps show you how to assemble your shower we want to make sure you have a correct build to ensure you get a trouble free shower. Therefore our advice is to follow the instructions and perform a dry run to ensure you are confident with the build and you understand fully how the unit is assembled. When we use the word "DRY RUN" this means you do not silicone anything, just simply construct the shower, align, drill and screw everything together. Once you are happy with the build take the unit apart and carry out the final fix.

What's In The Boxes?

Tray Box

1x Tray
1x Roof
2x Curved Rails

Glass Room

2x Rear Door seals
2x Magnetic Door Seals
2x Glass doors
2x fixed glass

Column

1x Complete Column

Backwalls

1x Left Panel Backwall
1x Right Panel Backwall

Side Panels

1x Left Glass Panel
1x Right Glass Panel

In addition to above you will have all the required internal accessories to complete the shower

Insignia Screw Pack

Product Code	Description	Quantity
SP097	Door Handles	2
SP276	Twin Door Wheels	4
SP276A	Twin Door Wheels Push Button	4
ST20	20mm Screws	20
ST35	35mm Screws	10
ST14	14mm Screws	6
ST25	25mm Screws	10
SW9	Small Washers	20
DB9	Drill Piece	1

Note: In some cases you may have more screws than needed, this is done so you have spares!

VERY IMPORTANT

Have you got everything? If not please contact the Insignia Support Line on 01908 226545. Remember **NEVER** book your tradesman until everything has arrived, been checked and is present. No replacement/missing parts can be obtained free of charge during or after the build. Any claims can only be within the timescale permitted (48 hours after delivery) and always **BEFORE** build.

Pressure Requirements from your house supply

We recommend a bar pressure between 2.5 and 3.4 BAR. If you have a combi boiler system no problem should be experienced. If you have a gravity feed older type installation (hot water tank type usually less than 1 bar) you will almost certainly need a pump. We cannot advise on which type of pump is used, location or design because all house plumbing layouts vary. This is a job for your installer/plumber. The end delivery however must fall within the scope above.

Important Note Do not exceed 3.4 BAR pressure under any circumstances. Warranty is void if so as damage will occur. If you have a combi supply, please use a pressure reducing valve if required to lower the BAR pressure to the shower.

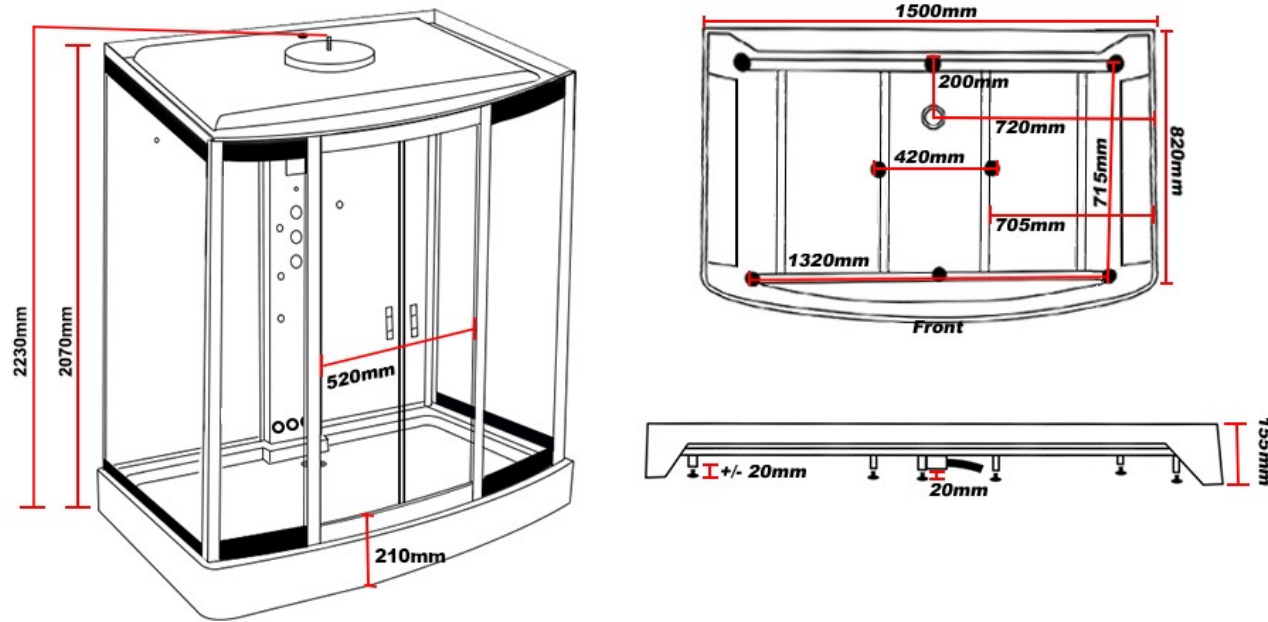
Please Remember that this product is free standing and is designed to be pulled away from the wall.

The waste hose must be of a flexible type (1m flexible waste supplied).

The water supply pipes need to be at least 1 metre in length and must be that of a flexible braided type (not supplied).

DO NOT OVERTIGHTEN THE BRAIDED HOSES AS IT CAN CAUSE THE CONNECTION TO POP AFTER A FEW WEEKS OF USE

INS0509



Please ensure you have at least 400mm each side of your shower for assembly and servicing



Internal Height for this shower is 1980mm 6'6"

Whilst we endeavour to ensure our measurements are correct they should be used as a guide only. Insignia accept no responsibility as size, design and specification may change without prior notice.

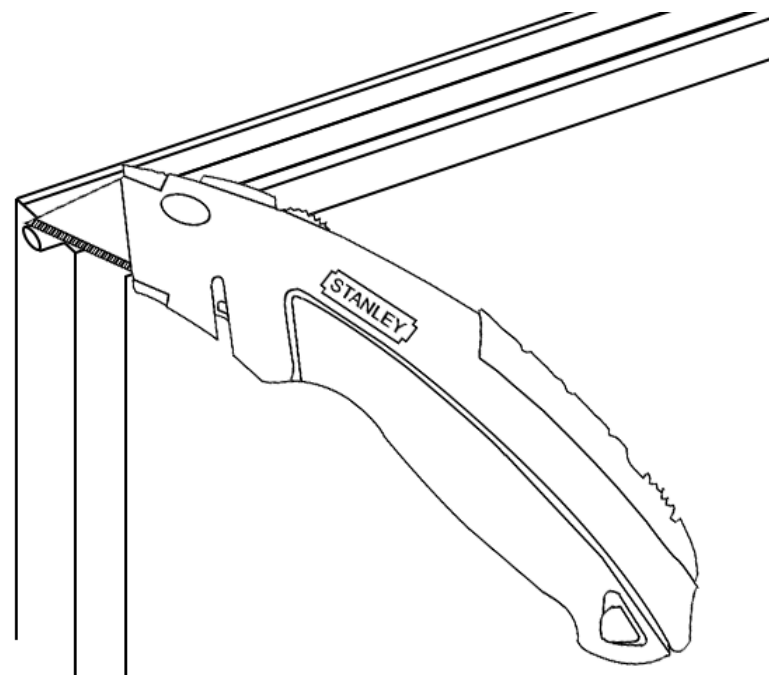
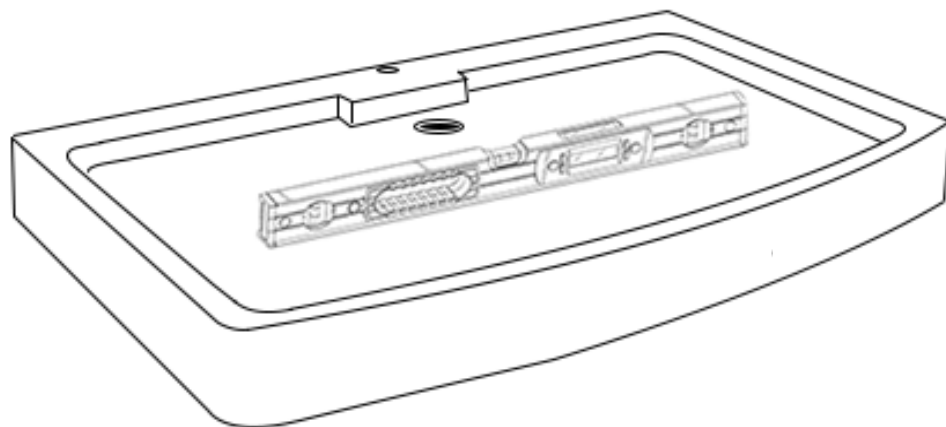
www.insigniarange.co.uk

TO START

Make sure you have a clear space, remember when finished and in place you need access to check your build and able to pull the shower out for servicing or should you have the need to replace anything!

Take the shower tub and remove all the protective wrapping and fit the waste. In the side of the waste supplied in the optional fitting kit you will notice a spigot not seen on an ordinary waste. In most cases this is blanked yet should you have a steam version you need to gently drill this out as this item is for the steam generator drainage and will be connected in the instructions later.

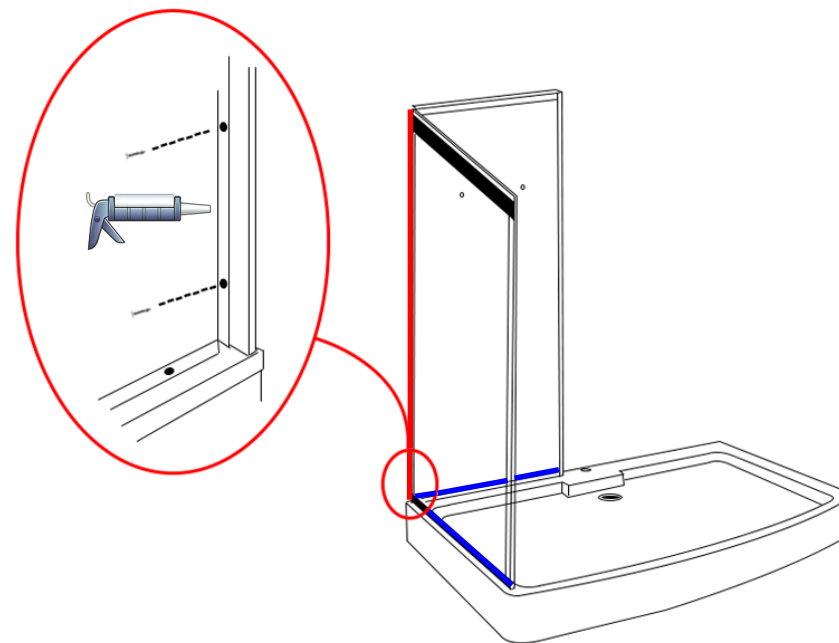
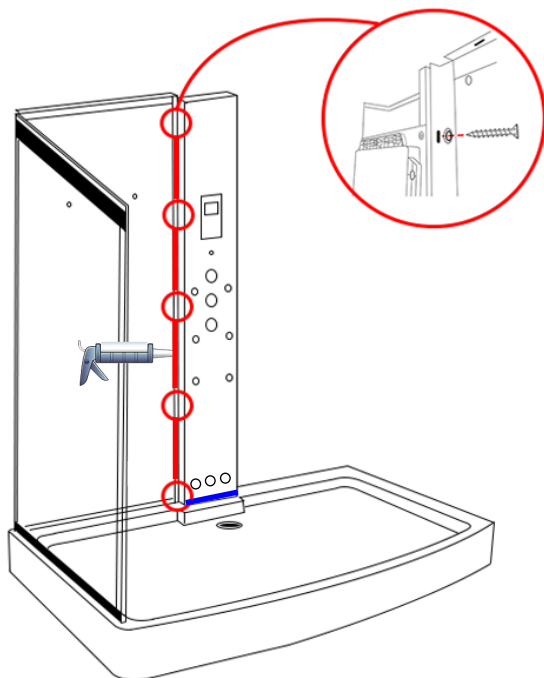
Now please level the tray by firstly placing the tray in its final location and then using a spirit level, adjust the tray feet accordingly. Once you are happy with the levelling of the tray, you can pull it out to begin the main construction.



Step 1

Attach the left hand pan to the left back panel.

Once you are happy with the alignment, run a bead of **silicone** up the edge and **Rubbergum** along the bottom of the panels and screw together using the **ST20** screws



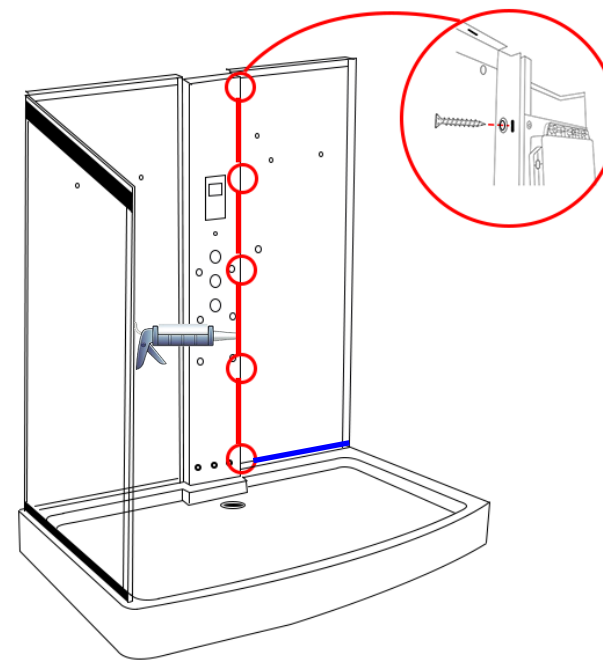
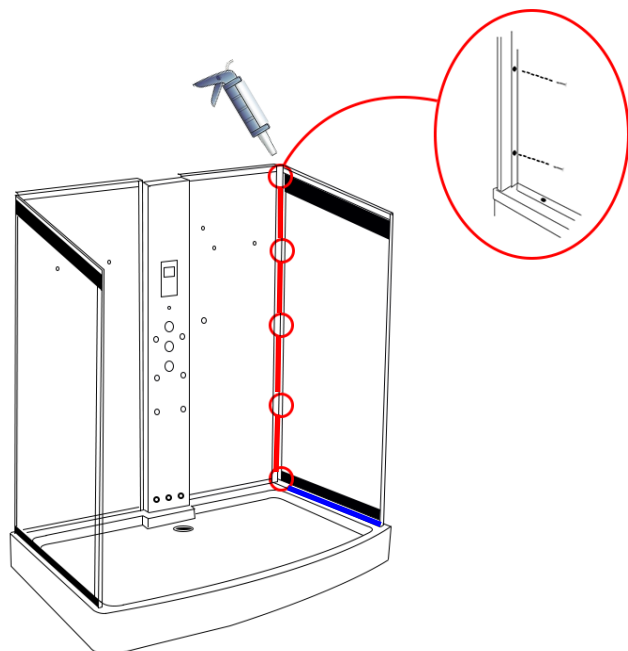
Step 2

Now attach the large back panel to the column. Once you are happy with the alignment, run a bead of **silicone** up the edge and **Rubbergum** along the bottom of the panel and screw together using the **ST20**

(please note, if your column has a rubber seal at the bottom , take the rubber off and apply silicone inside the rubber and replace)

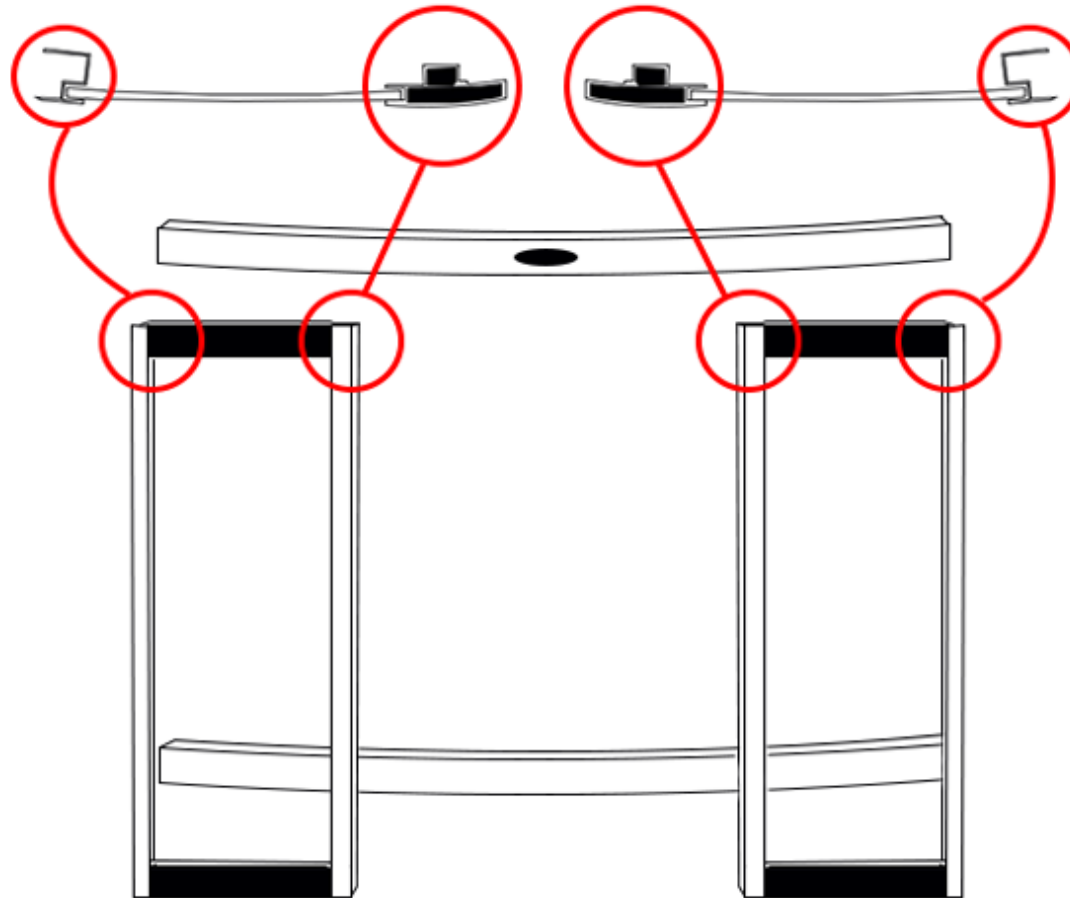
Step 3

Now attach the right back panel to the column. Once you are happy with the alignment, run a bead of **silicone** up the edge and **Rubbergum** along the bottom of the panels and screw together using the **ST20**



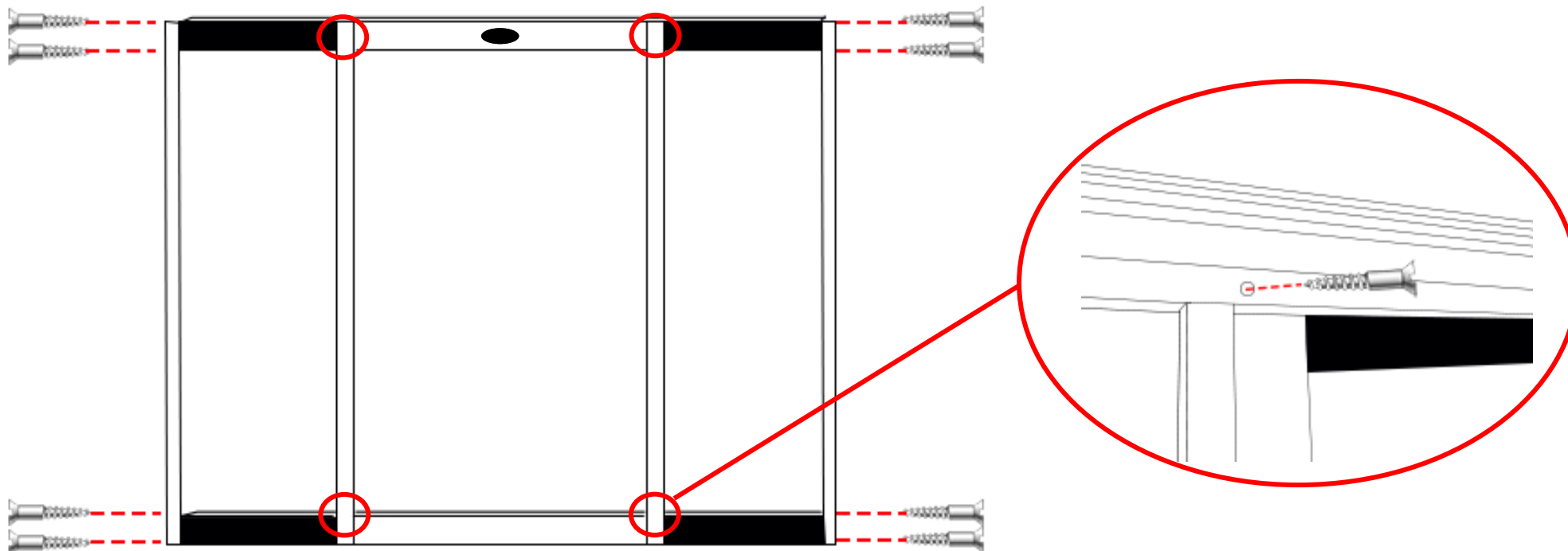
Step 4

Now attach the large back panel to the right side glass panel. Once you are happy with the alignment, run a bead of **silicone** up the edge and **Rubbergum** along the bottom of the panels and screw together using the **ST20**



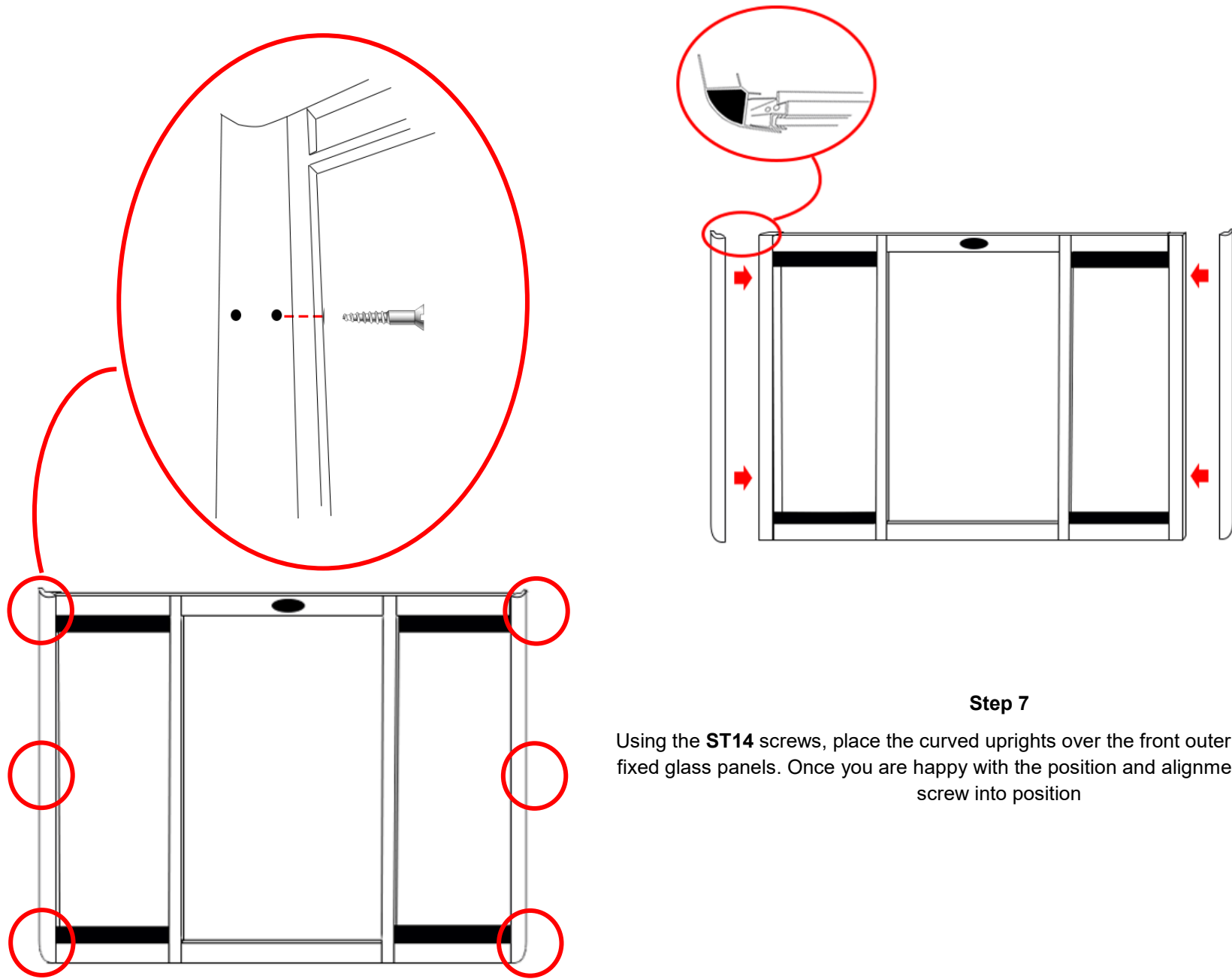
Step 5

Align the top and bottom door frame to the left and right hand glass panels.
Note the top rail is indicated by the Insignia logo. Please note the image
above to locate which panel goes to which side.



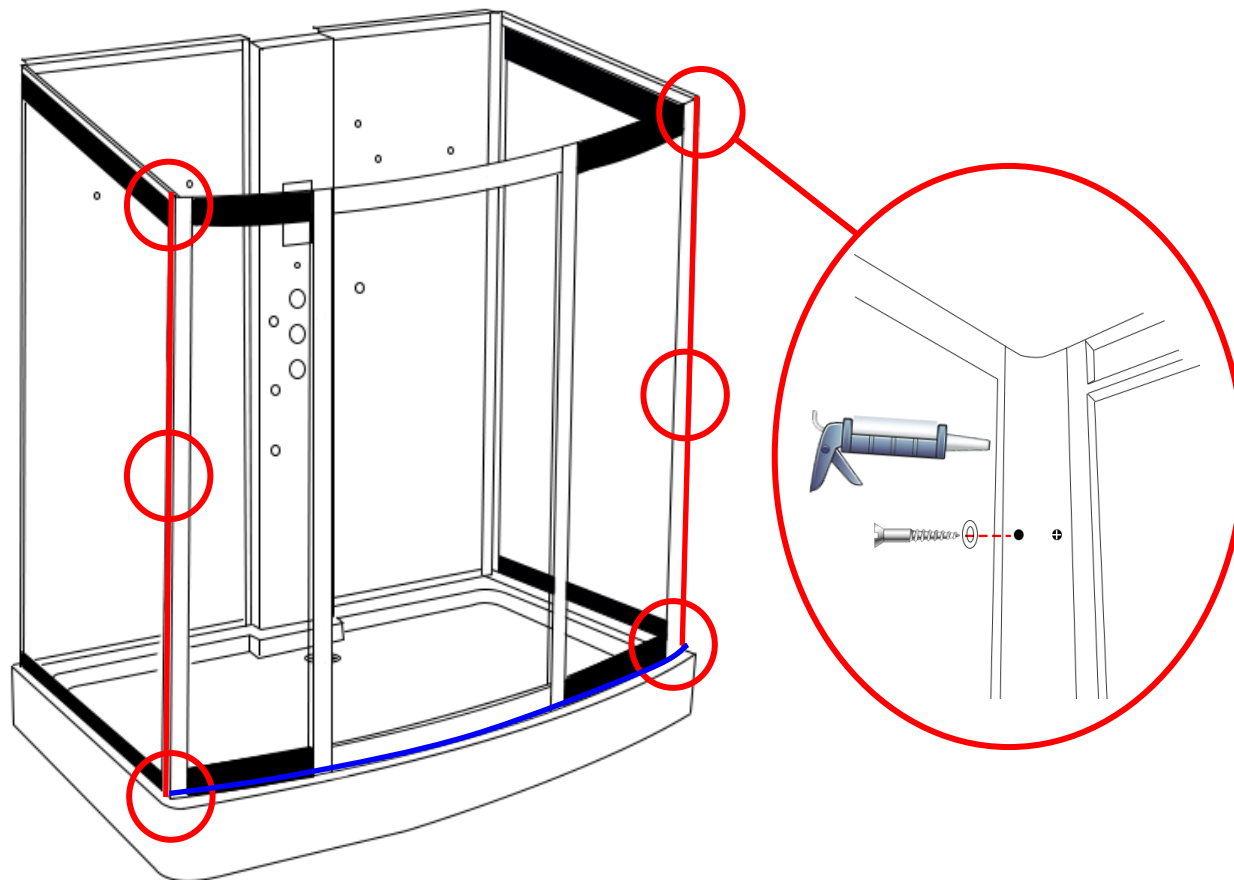
Step 6

With the panels now aligned, screw the top and bottom rails into position as shown in the image above using **ST35** screws. Once everything is securely tightened, locate the 4 holes from the inside of the rail and secure the remaining uprights in to position using **ST20** screws.



Step 7

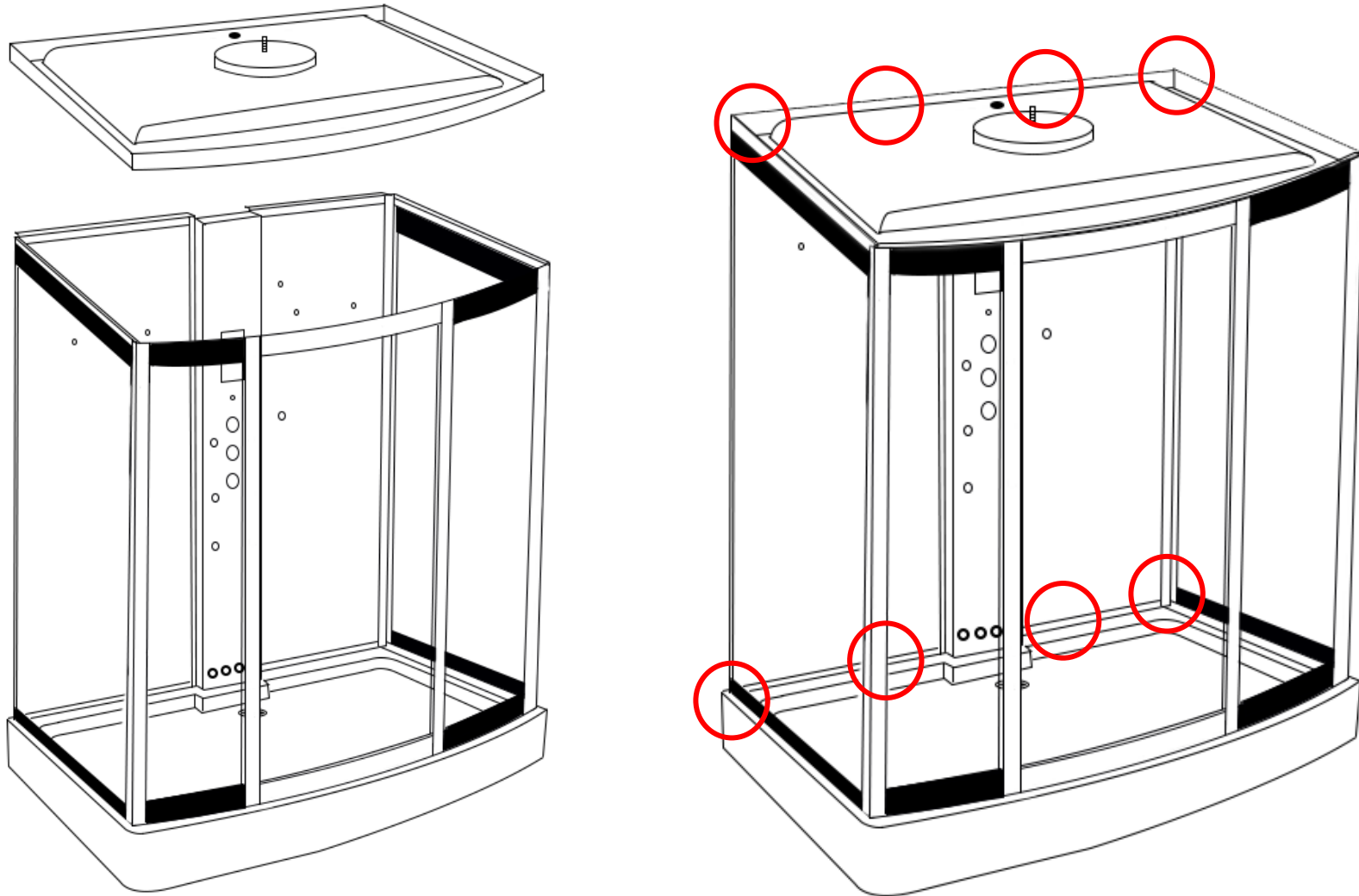
Using the **ST14** screws, place the curved uprights over the front outer edge of the front fixed glass panels. Once you are happy with the position and alignment of the uprights screw into position



Step 8

Next locate the front section into position with the side glass panels.

Once you are happy with the alignment, run a bead of **silicone** up the edge and apply **Rubbergum** along the bottom of the panels and framework and screw into place using the **ST14** screws as indicated in the above image.



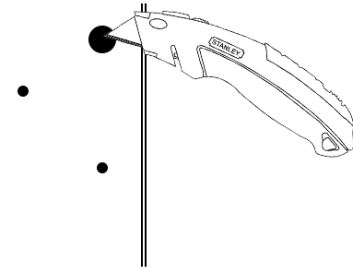
Step 9

Screw down the back walls to the rear of the shower tray using **ST25** screws and **SW9** washers, then repeat this process when fixing the roof to the back panels.

Accessory Installation

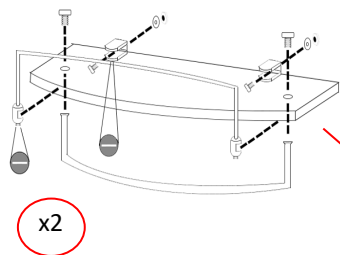
Please Note

Ensure all grey backing film on the rear of the glass panels are pierced through the existing glass holes with a knife to provide an efficient smooth fitting and location of the accessories. We recommend using a screwdriver on the smaller holes. We advise going from the back of the shower because if you try and cut the film off from the inside it can pull more off than required and leave a messy finish.

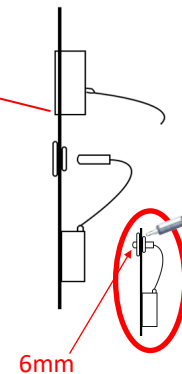
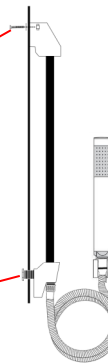
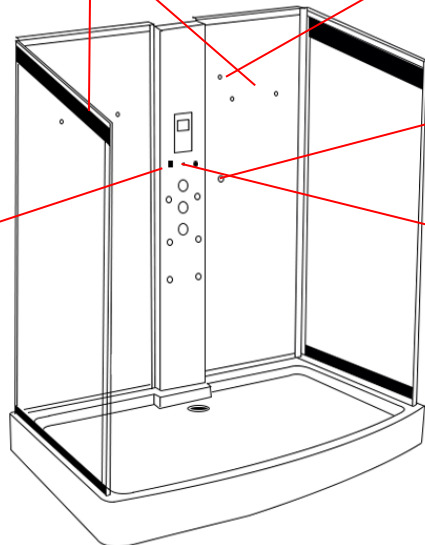


Shelf

Fix the chrome floating shelf brackets to your glass back panel by using the provided screws. Now attach the chrome tubed bars to your glass shelf as illustrated in the below image. Next slide the shelf into your shelf brackets and secure by tightening the grub screw situated on the bottom of the bracket.



Please see your AMI system installation guide for further details



Hand Shower

Attach the chrome riser bar to the glass wall ensuring the water inlet is inserted through the lower large hole and hand tightened from the rear side.

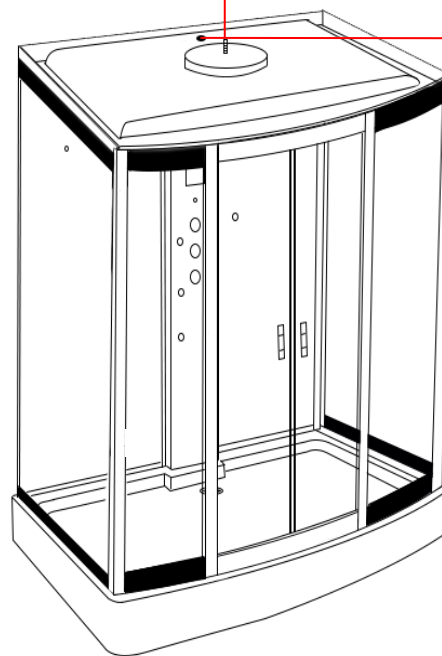
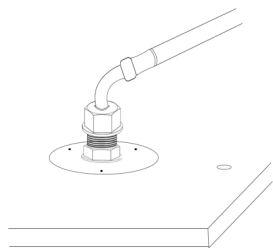
Now tighten the chrome shower holder ensuring that this will take the hand shower itself without falling (please note over tightening will prevent the holder from sliding up and down)

Thermostatic Probe

Insert the chrome sleeve into the hole situated below the control panel and secure in place with the retaining nut. Insert the rubber grommet into the sleeve and push the probe through from the rear of the cabin ensuring the probe protrudes no more than 6mm. Place a small amount of silicone behind to fully secure in to place.

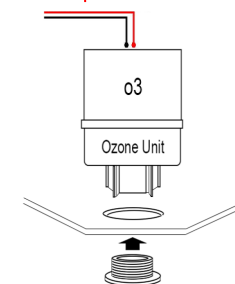
Monsoon Head

Attach the grey hose from your valve to the inner black tube using PTFE tape (please note this only needs to be hand tight. Over tightening will snap/damage the inner white tube)



Ozone (o3)

Unscrew the chrome pepper pot end and drop the white box upside down into the rear hole as shown in the image. Now from the inside of the shower re-attach the chrome pepper pot end and tighten.

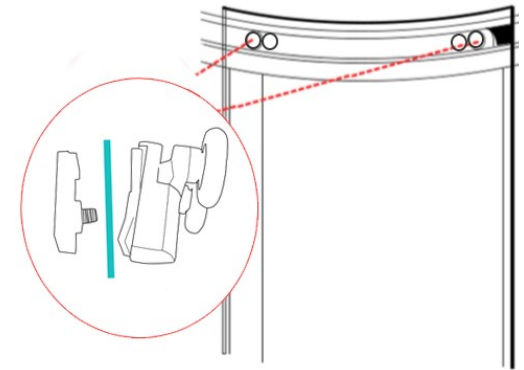
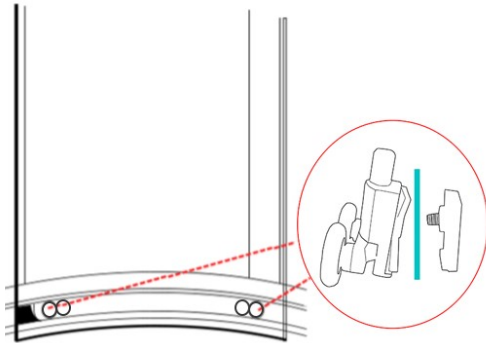


Door Wheels

Fit the adjustable wheels to the top and bottom of the glass doors and ensure the wheels are at their lowest position and hang on the inner curved rails with the wheels facing the outside of the glass. **Please note the push button wheels are for the bottom.**

Once all wheels are fitted and on the rails you can adjust the wheels by turning the plastic bolt clockwise in which in turn will pull the wheels towards the track ensuring a secure a tight fit.

Now grease the track to ensure a smooth and long lasting operation (not supplied)



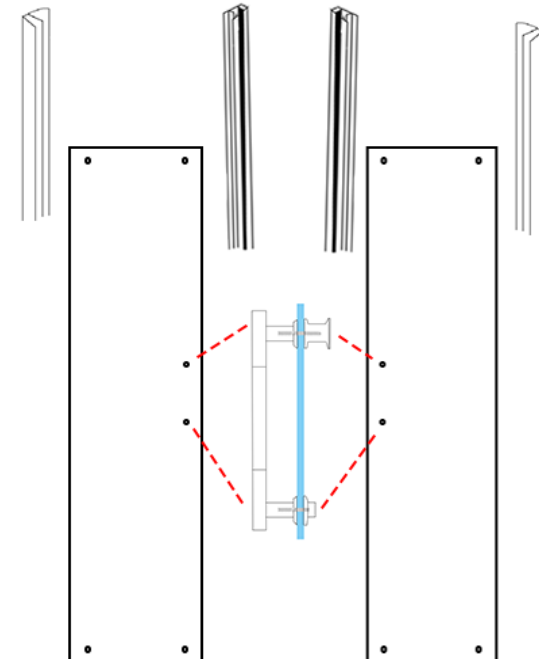
Handles

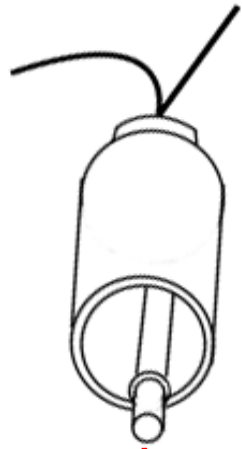
Ensuring that the inner thread is protruding out from the handle far enough, place the handle on the outside of the door and secure by tightening the inner chrome knob to the protruding inner thread.

Door Seals

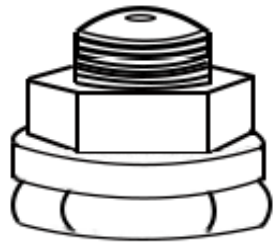
Magnetic Seal: Push the magnetic door seal on the handle side of the glass door ensuring this is tightly fitted.

Rear Door Seal: Place the rear door seal on the opposite side to the magnetic strip ensuring the flap is facing the fixed glass panel

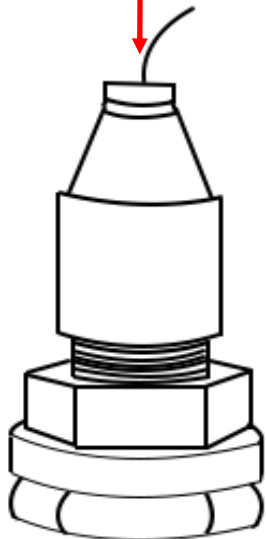




1. Insert Lights



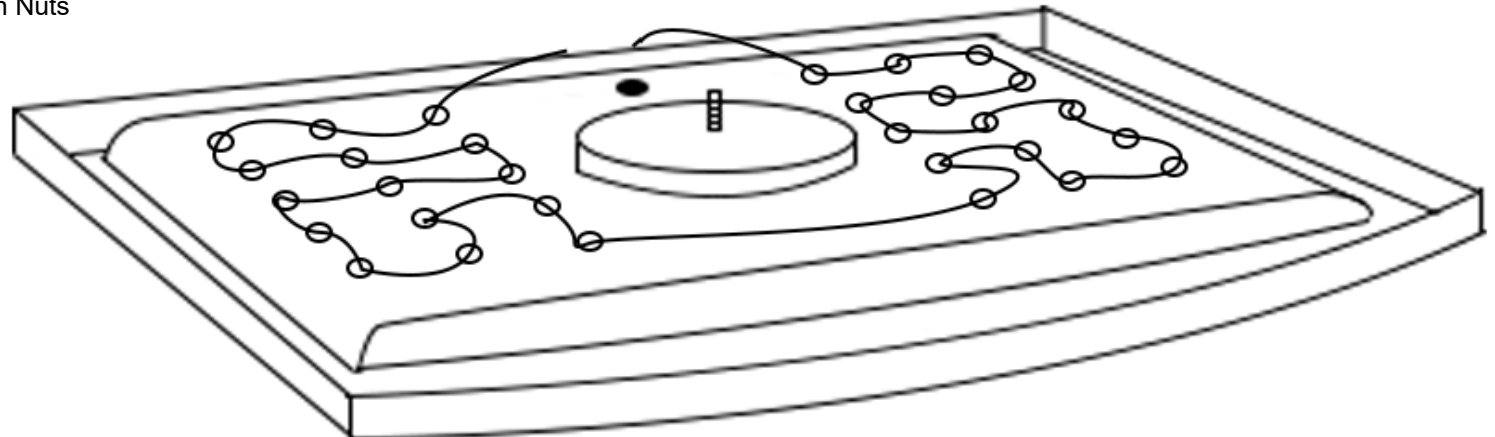
2. Tighten Nuts



Roof Lights

The roof lights come packed in with your accessories and need to be inserted on site. On top of the roof there are 30 nuts, which simply need tightening by hand. Once this is done, the lights simply push onto the fitting. Start on one side with the light closest to the middle as shown below. Follow the lights around in the order shown, so you can reach to the other side once you have placed the lights for the first side. Again follow the sequence on the second side as you need to finish on the light closest to the middle at the back in order to connect and complete the circuit.

Please Note: When connecting the roof LED lights to the electric box, only the male connection is needed, leaving the female connection hidden away under the roof cover.

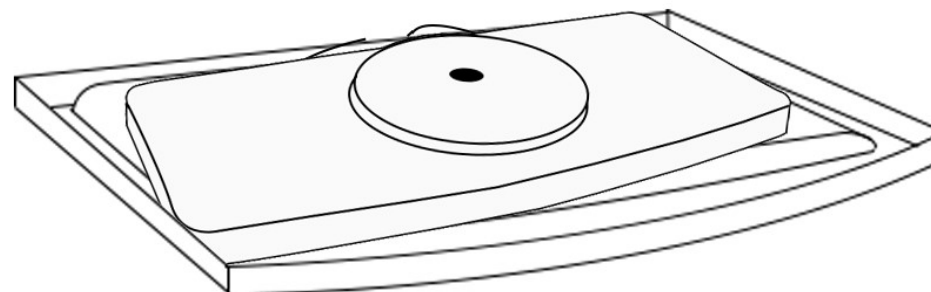
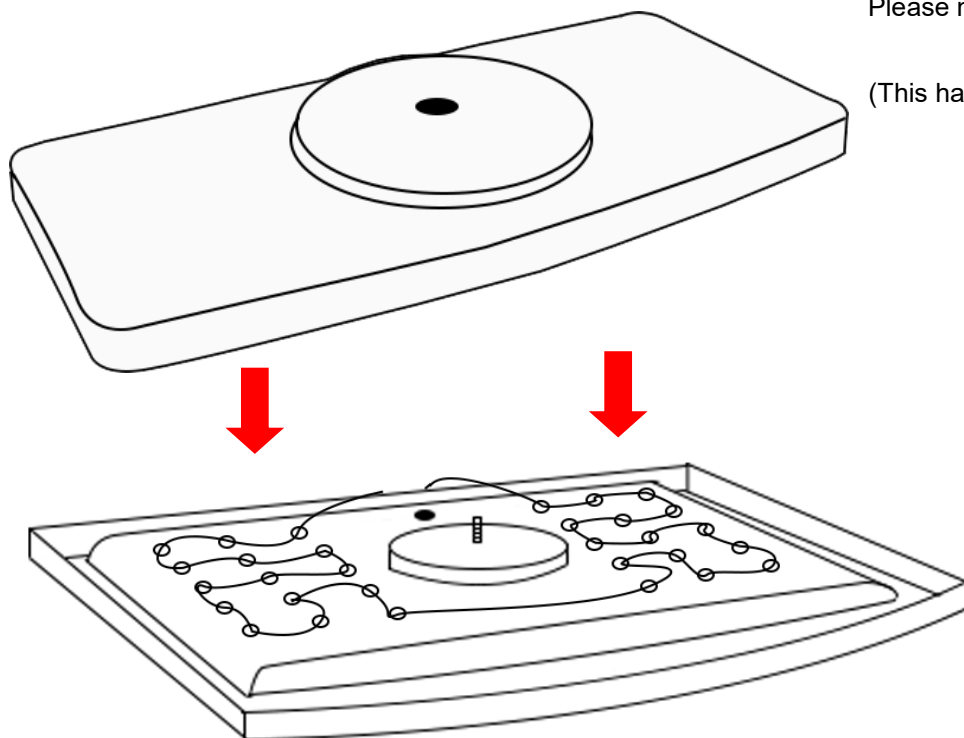


Roof Cover (if supplied)

Due to the different coloured light settings this shower model boasts, the wiring is inevitably bigger and more noticeable on top of the shower cabin. Because of this we have a cover that simply slots over the top, secured in place around the thread of the monsoon rain shower.

Please note, this will be screwed into position once the monsoon head is connected. Ensure you connect the Ozone, prior to securing the light cover in position.

(This has no bearing on the function of the shower itself. It is purely for aesthetics purposes)



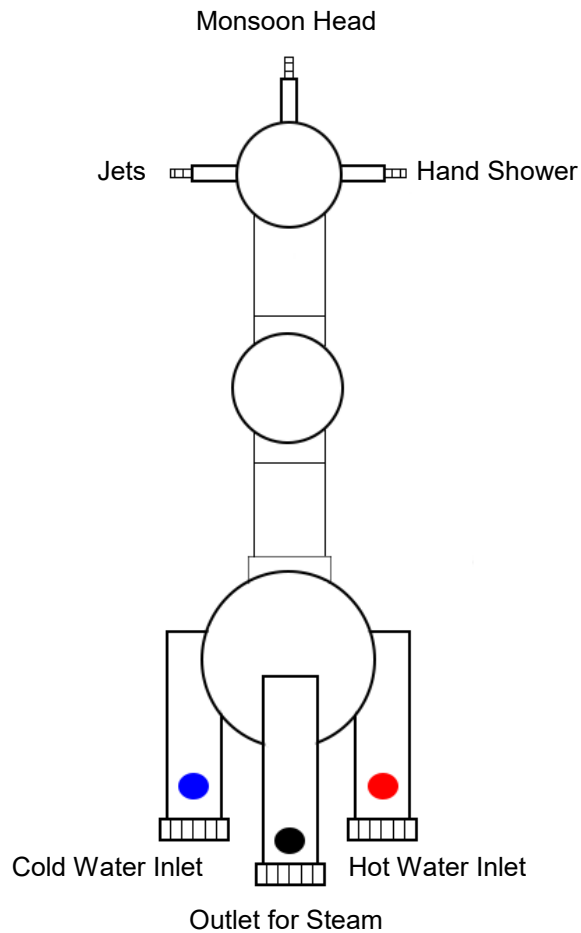
Shower Valve

Device output may differ from the image. Please refer to your outer chrome faceplate inside your Insignia shower as a reference point.

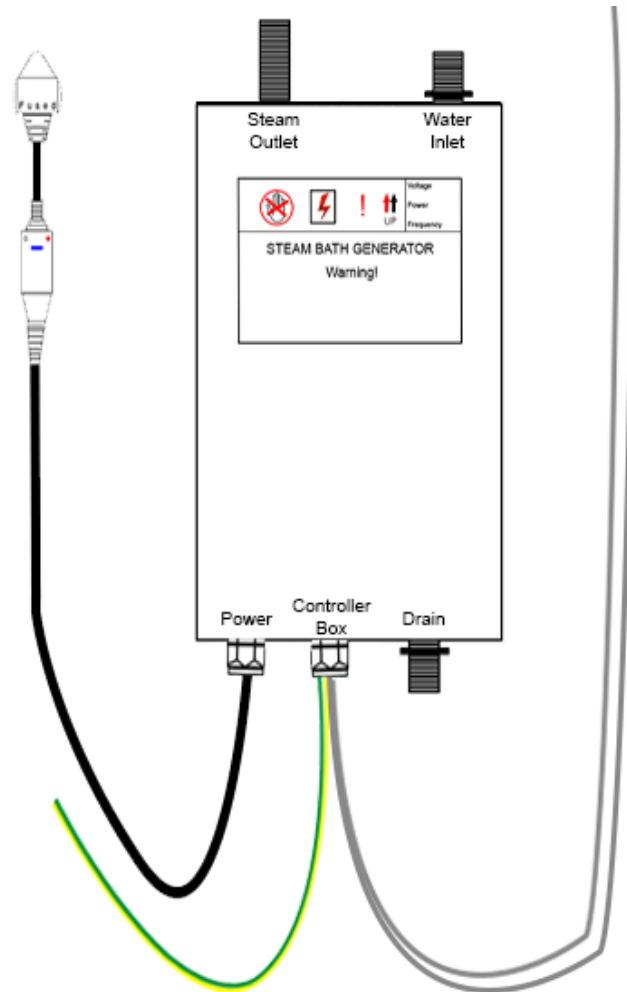
IF YOUR DIAL DOES NOT CORRESPOND TO THE APPROPRIATE DEVICE:

Turn on your water to the shower and note which output the water exits from then turn off the water and swap over the relevant hose.

Alternatively remove the outer chrome knob by removing the chrome cap and loosening the grub screw (please ensure not to unscrew fully as this will drop within the chrome knob) this is found on the opposite side to the chrome pillar. Once you have succeeded in loosening this you can now slide your faceplate to correspond to the device.



Steam Generator Connections

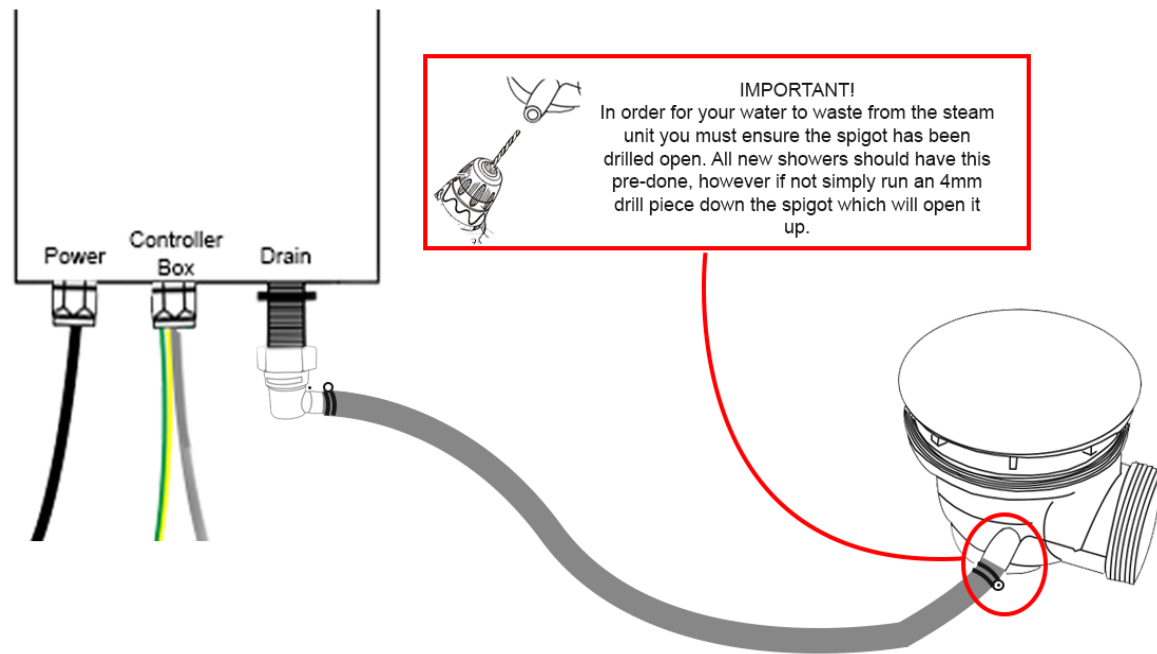


The steam generator has 3 connections.

Steam Outlet: Connect the white insulated hose to the white steam pod within your shower. Make sure these are fitted in the correct position as they are only attached for transportation reasons only.

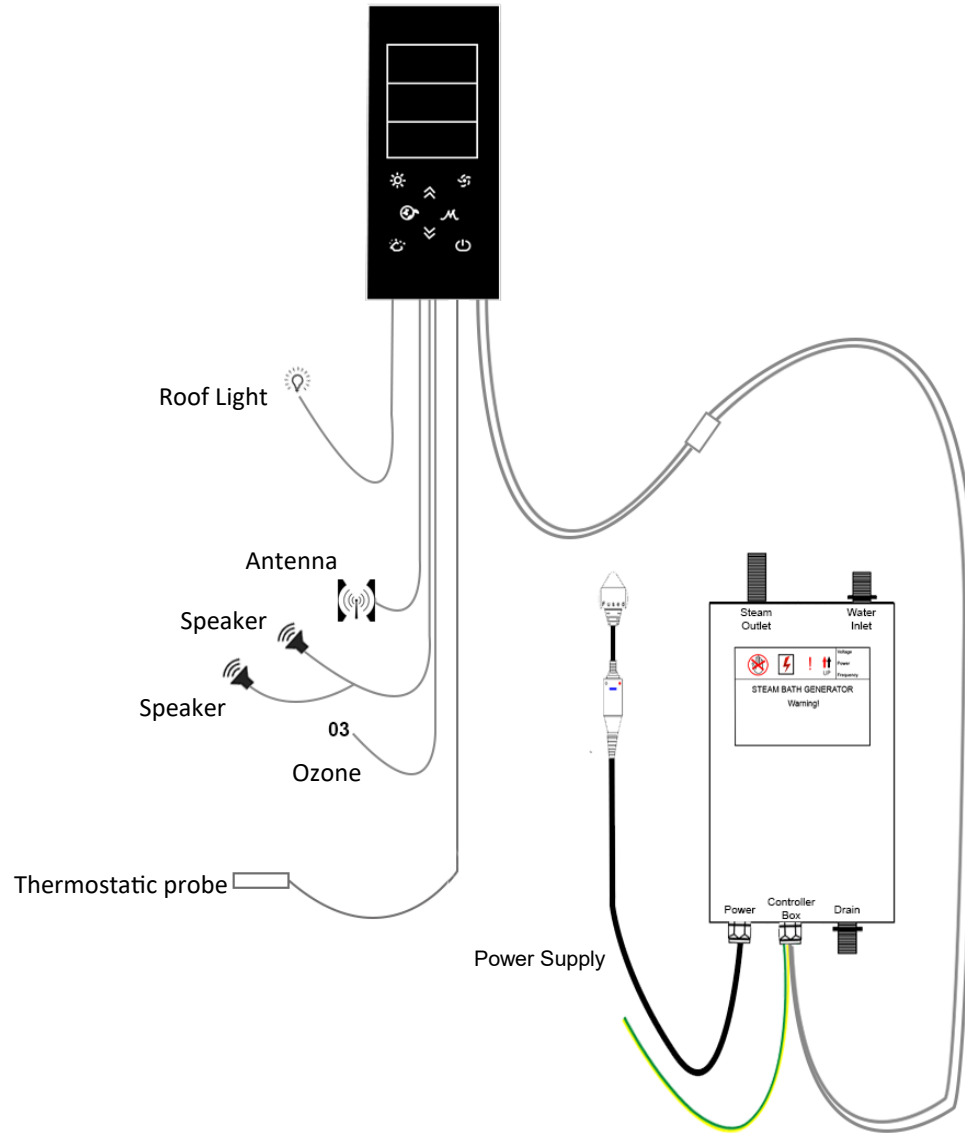
Water Inlet: Connect a braided hose from the shower valve's centre feed to this opening.

Drain: Connect the grey rubber hose from the steam generators drain opening to the nozzle on the shower waste (as shown in the below image)

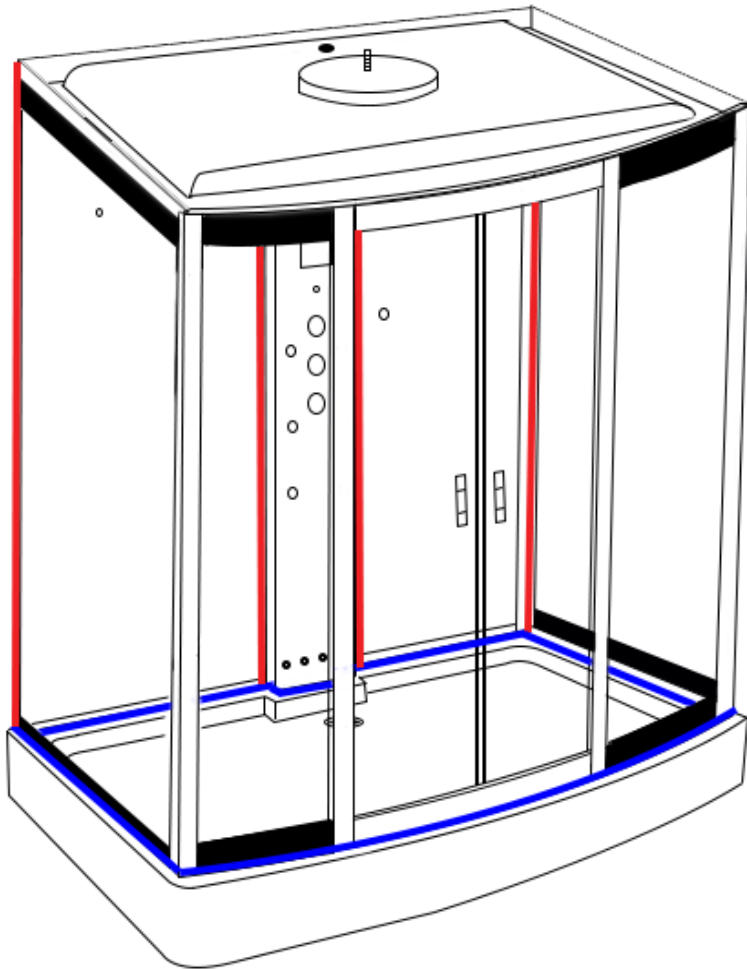


Electric Box Connections

Connect the cables below to the corresponding devices on the shower



Silicone Seal (vertical joints) - RubberGum (horizontal joints)



TESTING FOR WATER LEAKS

LEAVE THE SHOWER 24 HOURS AFTER BUILT TO ALLOW SEALANT TO CURE AND ENSURE THE SHOWER IS AWAY FROM ITS FINAL POSITION TO ALLOW REAR VIEWING

Ensure all connections are tight and sealed including the waste, body jets and steam outlet (model dependent) on your shower. **We also advise to run a thin bead of silicone around the control panel.**

Switch on the overhead shower NOT the massage jets, remember these will fire water out at you and are not suitable for checking leaks as they would normally only operate when a person is in front of them. **DO NOT AIM THE HAND SHOWER AT THE JOINTS OF YOUR SHOWER AS THIS DOES NOT FALL UNDER "NORMAL EVERYDAY USE"**. Adjust the feet to ensure the direction of the water flows towards to the waste to prevent puddling.

Just use COLD water setting as hot will make cabin misty and condensate thus the inspection becomes very difficult. Now on the OUTSIDE of the shower inspect each joint, factory seal, hose, clip and jet by walking from one side and going around to the back and then to the other side finishing at the front. If you have a small leak (normally caused through insufficient sealer or air bubble on assembly, dry the area thoroughly and reseal.

Please remember the location of the water may not be exactly where the leak is as it could have run around to a low point. Never seal your inner fittings unless necessary, remember you will see this for the life of the shower! Again leave to cure and check. Once you are happy check the shower functions i.e. jets for back massage, foot massage and finally hand shower (model dependent) check your joints to these functions at the rear again. Never use the shower until **all** checks have been made and the installer is 100% happy in the knowledge no leaks are present.

Important Note: It is not uncommon due to temperature changes, glass seals fitted into the frame lower horizontal and sides can and do shrink leaving a small gap. This is normal to prevent rubbers perishing or opening later in your showers life. Check yours now, any slight gaps simply seal neatly with a thin bead of silicone. This will prevent chances of leakage both now or later in life.

All good?

Now push your shower FROM THE BASE and NEVER THE GLASS OR FRAME into its final resting position.

Happy Showering!

Control Panel Instructions



Button 1 (Lights)

Once the control panel is switched on, the lights will come on automatically. Press the Light button once and the lights will start to scroll through the multiple colour options.

Then to stop the lights on a specific colour simply press the light button again on the desired colour.

Button 2 (Steam)

To start the steam function, simply press the steam button (which looks like a cloud).

Press the “M” button to bring up the temperature setting (in the top corner you will see a temperature symbol). Then use the up and down arrows to change the temperature of your steam.

Continue to press the “M” button again to set the steam timer (to the side you will see “min”) and use the arrows to select your desired time. Finally press the “M” button again to finish setting the timer.

Button 3 (Up Arrow)

Radio search (higher frequency)

music track (next song)

volume increase.

Button 4 (Audio select)

To tune your radio channels firstly press the Audio Select button (which looks like a musical note and a Bluetooth symbol).

Then once the radio is on press and hold the “M” button until it starts scrolling.

Finally, once the panel has finished scrolling then use the up and down arrows to cycle through all the radio stations that were found.

To connect a device via Bluetooth, press the music function button twice (which looks like a musical note and a Bluetooth symbol), the control panel will show “INS”.

Then simply go on your device and pair up with the shower which will be named as “INS”.

While your Bluetooth device is connected, use the music function button to pause and resume your music. (further details can be found on the next page)

To see our tutorial videos for operating this control panel’s features, please search for “Insignia Showers” on YouTube and find our “SUN Control Panel” Playlist, or you can [click here](#)

Control Panel Instructions

Connecting to Bluetooth



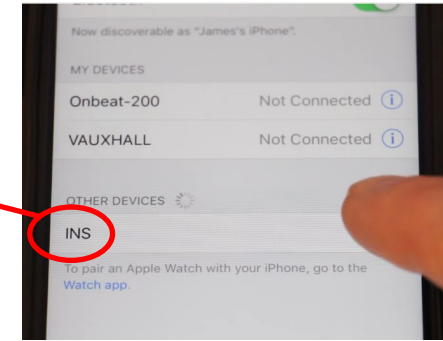
Step1

To connect a device via Bluetooth, press the music function button twice (which looks like a musical note and a Bluetooth symbol), the control panel will then show "INS".



Step2

Then simply go on your device and pair up with the shower which should be shown as "INS". Once this is complete you will hear a beep to signify you're connected and ready to listen to any music of your choice.



Tuning your radio channels



Step1

To tune your radio channels firstly press the Audio Select button (which looks like a musical note and a Bluetooth symbol)



Step2

Then once the radio is on press and hold the "M" button until it starts scrolling.



Step3

Finally, once the panel has finished scrolling then use the up and down arrows to cycle through all the radio stations that were found.

Control Panel Instructions



To see our tutorial videos for operating this control panel's features, please search for "Insignia Showers" on YouTube and find our "SUN Control Panel" Playlist, or you can [click here](#)

Button 5 (Mode)

Whilst listening to audio you can change the volume on your control panel by pressing the "M" button.

You will see the volume control represented by a number followed by "db" then use the up and down arrows to change your volume.

Once happy with your volume leave your control panel idle for a few seconds and it will return to its normal screen.

Button 6 (Unlock)

Press to unlock the panel.

Please Note: When the control panel is locked, none of the buttons will work except the unlock key.

Button 7 (Down Arrow)

Radio search (lower frequency)

music track (previous song)

volume decrease.

Button 8 (Power Button)

Simply press the power button to switch on your control panel and once more to switch off your control panel.

Once your control panel has been switched off the 03 system will automatically start and you will see "03" on your control panel.

Parts List

Internal Items

Part Code	Part Description
SP074	Monsoon Shower head
SP078	Ozone Module
SP048	Massage jet—2 open ends
SP048A	Massage jet—1 open, 1 closed
SP236 SP112 (warranty) SP120 (warranty)	Complete riser bar Shower holder (for riser bar) Water Inlet (bottom part of riser bar)
SP216	Shower waste
SP097	Chrome rectangular door handles
SP240	Glass Shelf
SP196	Thermo sensor holder
SP072	Door stoppers
SP008	Door Wheels
SP036	Speaker
SP034	Chrome Tri-jet Steam Outlet
SP270	Chromotherapy Lighting
SP039	Fan (Model Dependent)

SP042	SUN Control panel
SP191	Blister pack
SP227	Microphone Style Hand Shower
Sp166	Approximately 4 meters of "U Style" seals
SP037	Speaker cover

External Items

Part Code	Part Description
SP300	Waste hose
SP301	White insulated pipe
SP187	Drain Hose
SP234	Vertical steam generator
SP308	Magnetic door seals
SP310	Rear door seals
SP173	3 port—3 feed thermo-static valve
SP095	3 Port Selector Cartridge
SP044	On/Off Water Mixer Valve
SP182	Vernet Screw Fit Thermostatic Cartridge
SP043	Plastic Thermostatic Valve Safety Lock Ring

Framework

Part Code	Part Description
INS0509-6	Top Rail
INS0509-7	Bottom rail
INS0509-8	Corner post (universal)
INS0509-1	Tray
INS0509-2	Blank roof
INS0509-3	Blank column

Glass

Part Code	Part Description
INS0509-13	Left Backwall
INS0509-12	Right Backwall
INS0509-11	Glass door (universal)
INS0509-5	Left side panel
INS0509-4	Right side panel
INS0509-10	Front fixed glass

