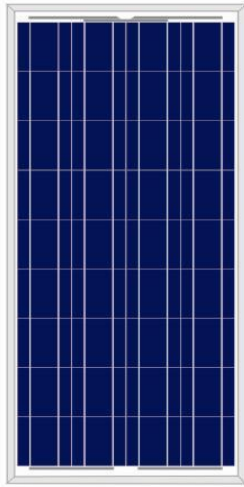


BOKANEG - HOUSSAM SOLAIRE

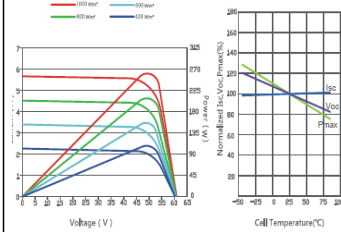
POLY 140w Solar panel



Technical parameter(with tolerance -3~+3%)

Model Type	TDC-P140-36
Maximum Power(W)	140W
Optimum Power Voltage(Vmp)	17.92V
Optimum Operating Current(Imp)	7.81A
Open Circuit Voltage(Voc)	21.85V
Short Circuit Current(Isc)	8.59A
Cell Efficiency (%)	16,00%
Module Efficiency (%)	13,93%

I-V Curves



Mechanical Characteristics

Cell Type	Polycrystalline 156x156mm (6 inch)
No of Cell	36 (4x9)
Dimensions	1480x670*35 mm
Weight	12.10kgs
Front Glass	3.2mm, High Transmission, Low Iron, Tempered Glass
Junction box	IP65 Rated
Output Cabl	TUV 1x4.0mm ² , Length:900mm

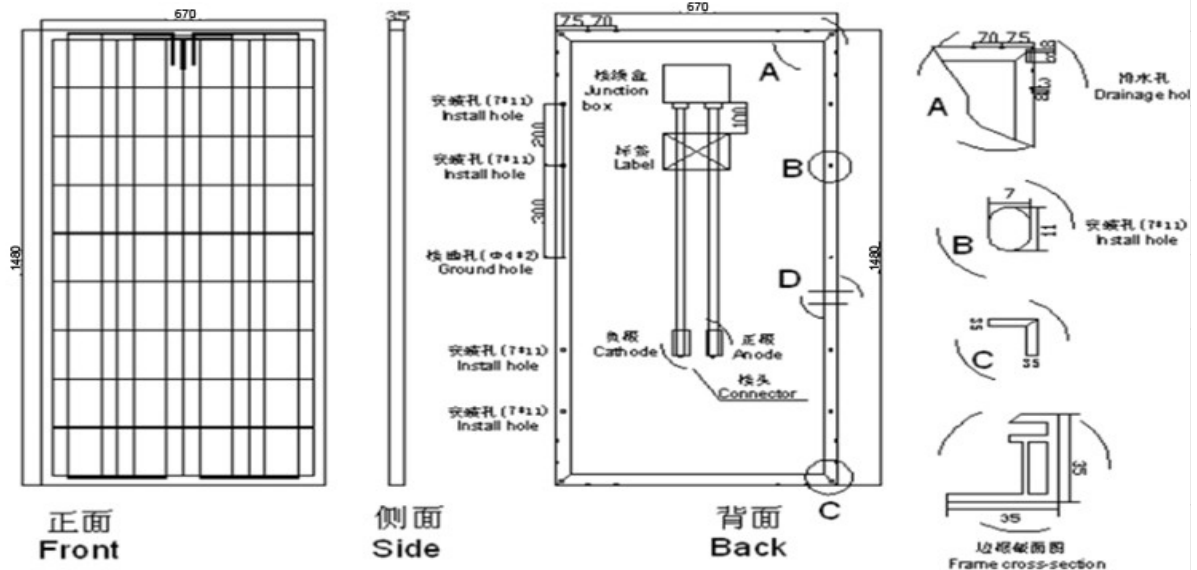
Packaging Configuration

Quantity/Pallet;	Quantity/40' HQ container	20pcs/pallet, 25pcs/pallet, 2pcs/ctn,	pcs/40'HQ
Quantity/Pallet;	Quantity/20'GP container	18pcs/pallet, /30pcs/pallet	pcs/20'GP

Temperature and Coefficients

Operating Temperature(°C):	-40°C ~ + 85°C
Maximum System Voltage:	1000V(IEC) DC
Maximum Rated Current Series:	15A
Temperature Coefficients of Pmax:	-0.435%
Temperature Coefficients of Voc:	-0.35%
Temperature Coefficients of Isc:	0.043%
Nominal Operating Cell Temperature (NOCT):	47+/-2°C

Panel Drawing Map



Quality guarantee

- 1) Industry leading power output warranty(10 years/90%,25years/80%)
- 2) 10-year warranty on product-materials and processing technology
- 3) ISO9001:2000(Quality System Management) certified factory