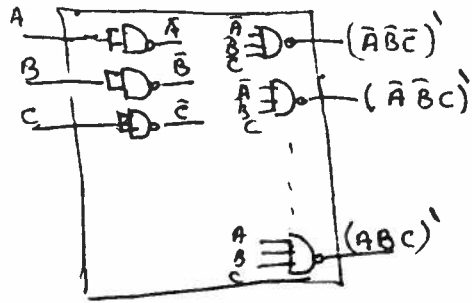
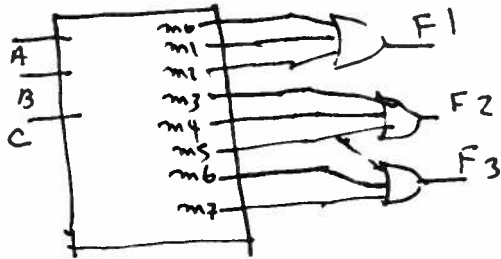


Q1

d)



b



c $F(A, B, C, D) = \bar{A}\bar{B} + A\bar{B}\bar{C} + A\bar{B}D$

Plotting the function on K-map

	AB			
CD	00	01	11	10
00	1	0	1	0
01	1	0	1	1
11	1	0	0	1
10	1	0	0	0

Using AB as control signal

