

TECHN. DATEN (TECHNICAL DATA):

NENNDRUCK (NOMINAL PRESSURE) P_N 70 MPa (700bar)
 PRÜFDRUCK (TEST PRESSURE) P_P 84 MPa (840bar)
 GEWICHT (WEIGHT) 19,5kg
 (INKL. 0,3m SCHLÄUCHE U. KUPPLUNGEN; INCL. 0,3m HOSES AND COUPLINGS)
 ÖLBEDARF (REQUIRED OIL VOLUME) 0,1 l

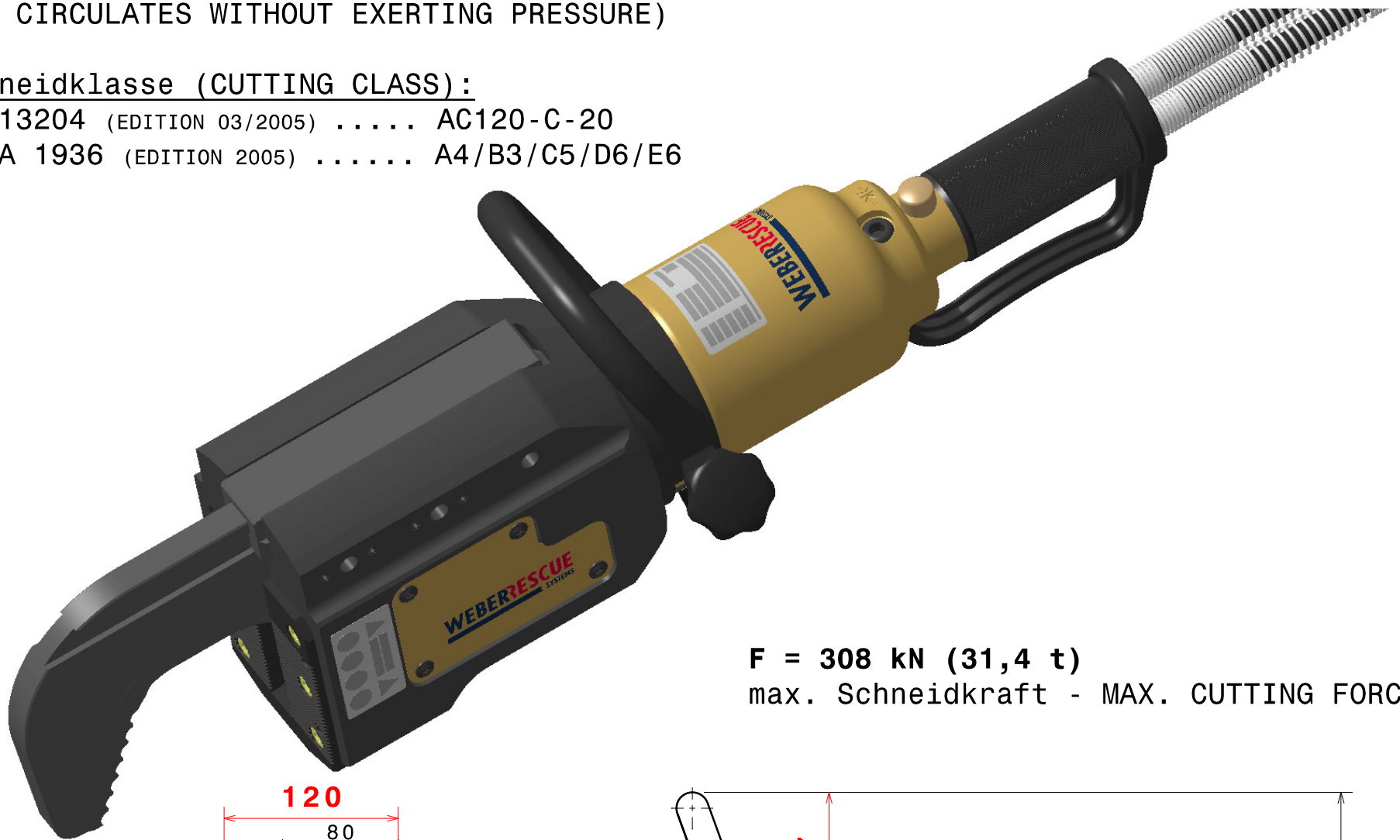
**Änderungen vorbehalten!
Subject to revision!**

STEUERUNG (SAFETY FEATURES)

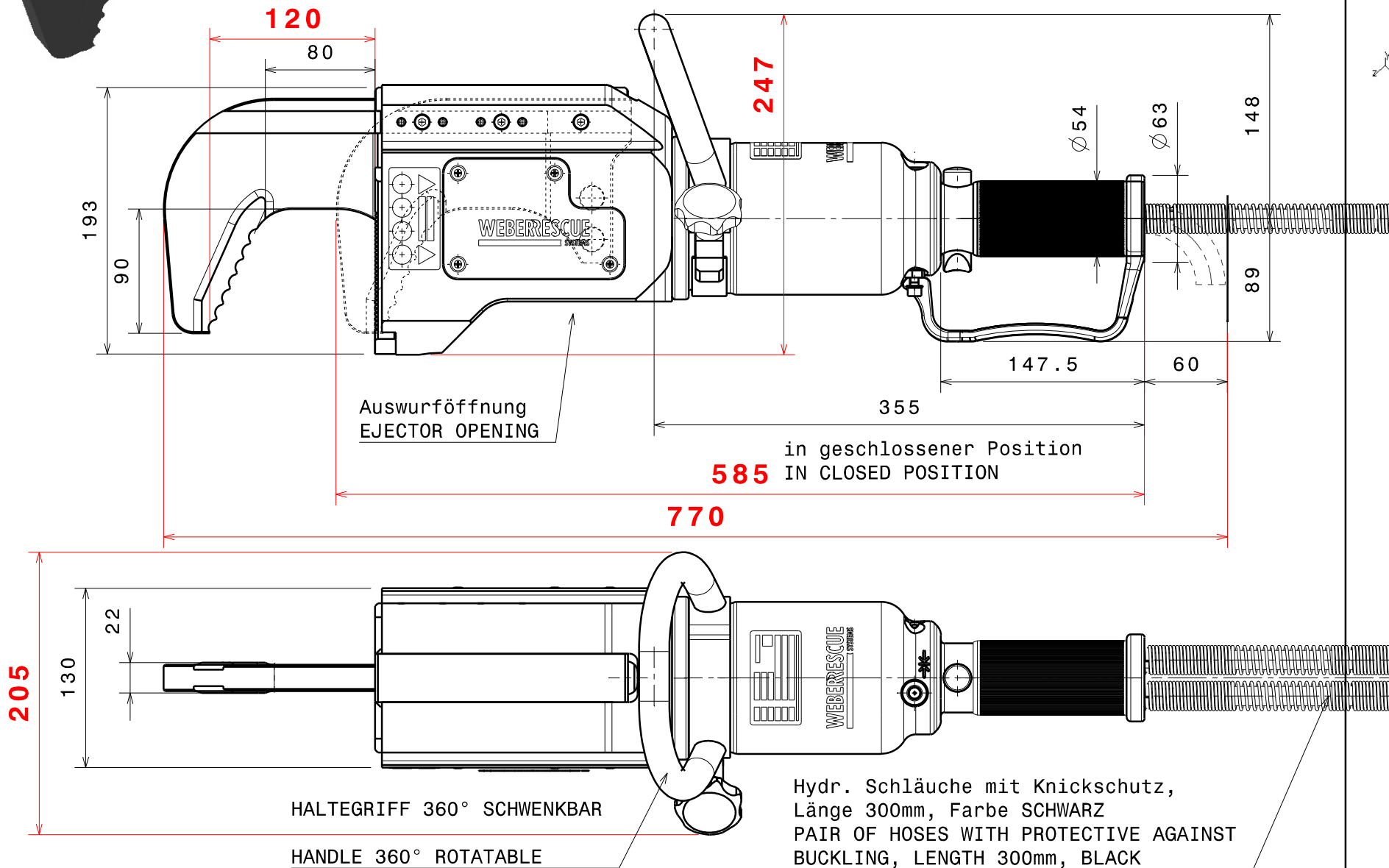
SICHERHEITSSCHALTUNG ENTSPRECHEND EN 13204
 (WHEN CONTROL KNOBS IN NEUTRAL POSITION,
 OIL CIRCULATES WITHOUT EXERTING PRESSURE)

Schneidklasse (CUTTING CLASS):

EN 13204 (EDITION 03/2005) AC120-C-20
 NFPA 1936 (EDITION 2005) A4/B3/C5/D6/E6



F = 308 kN (31,4 t)
 max. Schneidkraft - MAX. CUTTING FORCE



GEPR. JSC
CHECK.

GEZ. KST
DRAW. DAT. 24.10.07

KST
04.08.11

GEAEND. MODIF.
AEND.-DATUM MOD.-DATE

110656
C

AEND.-NR. MOD.-NO.
REVISION REVISION

FREIMASSTOLERANZEN (GENERAL TOLERANCES)	LAENGENMASS (LENGHT)mm	...50	50...250	250...1000	1000...	WINKELMASS (ANGLE)	...180°
	TOLERANZ (TOLERANCE)mm	±1,5	± 2,0	± 3,0	± 5,0	TOLERANZ (TOLERANCE)	±10°