

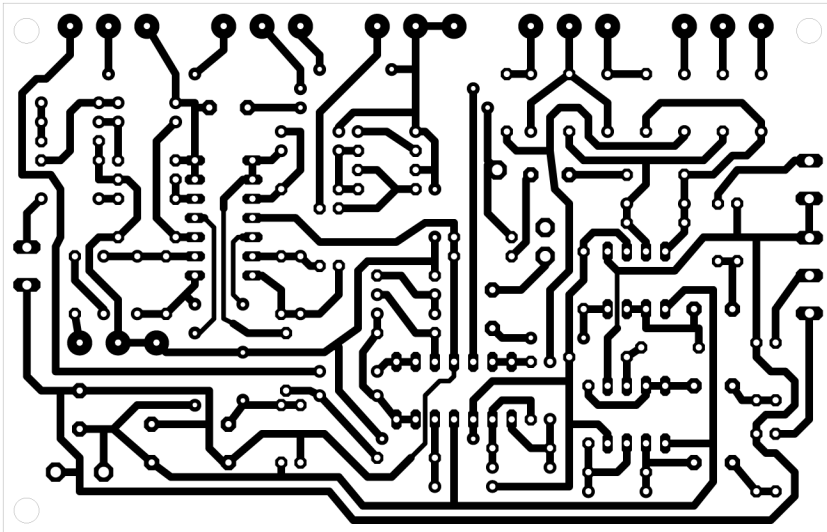
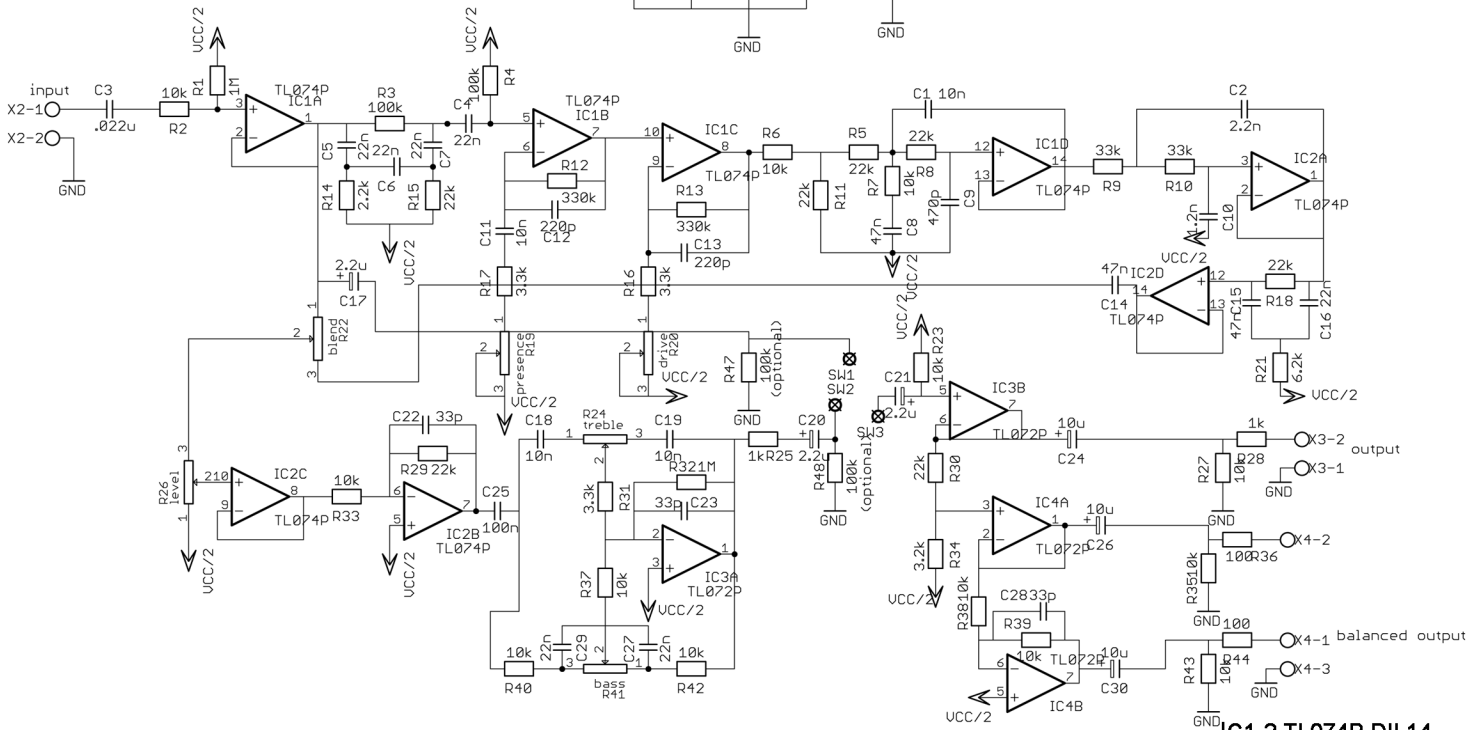
TRIANGULAR EAR BASS21

Traced by Diz (02/2006)

PCB by 12afael (21/08/2007)

PCB Version 3.0

Commercial use is forbidden



IC1-2 TL074P DIL14
IC3-4 TL072P DIL08

| Part | Value | Part | Value |
|------|-------------------|------|---------------|
| R1 | 1M | R36 | 100 |
| R2 | 10k | R37 | 10k |
| R3 | 100k | R38 | 10k |
| R4 | 100k | R39 | 10k |
| R5 | 22k | R40 | 10k |
| R6 | 10k | R41 | 100k pot bass |
| R7 | 10k | R42 | 10k |
| R8 | 22k | R43 | 10k |
| R9 | 33k | R44 | 10k |
| R10 | 33k | R45 | 10k |
| R11 | 22k | R46 | 10k |
| R12 | 330k | R47 | 100k |
| R13 | 330k | R48 | 100k |
| R14 | 2.2k | | |
| R15 | 22k | | |
| R16 | 3.3k | | |
| R17 | 3.3k | | |
| R18 | 22k | | |
| R19 | 100k pot presence | | |
| R20 | 100k pot drive | | |
| R21 | 6.2k | | |
| R22 | 100k pot blend | | |
| R23 | 10k | | |
| R24 | 100k pot treble | | |
| R25 | 1k | | |
| R26 | 100k pot level | | |
| R27 | 10k | | |
| R28 | 1k | | |
| R29 | 22k | | |
| R30 | 22k | | |
| R31 | 3.3k | | |
| R32 | 1M | | |
| R33 | 10k | | |
| R34 | 3.2k | | |
| R35 | 10k | | |
| R36 | 100 | | |
| R37 | 10k | | |
| R38 | 10k | | |
| R39 | 10k | | |
| R40 | 10k | | |
| R41 | 100k pot bass | | |
| R42 | 10k | | |
| R43 | 10k | | |
| R44 | 10k | | |
| R45 | 10k | | |
| R46 | 10k | | |
| R47 | 100k | | |
| R48 | 100k | | |

