



Giesen W1A/W1M Coffee Roaster

The Giesen W1A/W1M is a machine that is perfectly suited for small roasts (100 to 1500 grams per batch).

Therefore the machine is perfectly suited for test roasting, identifying the perfect roast profile in a small batch, which can then be applied to larger batches.

The machine also lends itself for roasting small amounts of an exclusive beans or selective roasts in small batches.

The most profound advantage of small-batch roasting is the guaranteed freshness.

Coffee Roaster W1M



Easy maintenance

Adjustable burner

Internal cyclone

Special designed drum

Adjustable airflow control

Highest quality steel

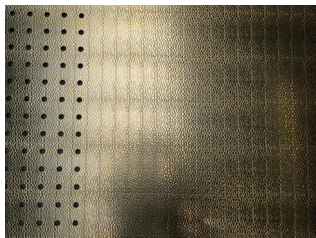
Options



Presentation table



Desired NCS/RAL Color



Brass hammerd roof



Manometer
mBar or Water Column



Under pressure control



Temperature sensor
Double read-out

Specifications



Capacity
100 gram - 1500 gram



Exhaust
Ø 100 mm



Power
230 V - 50/60 Hz



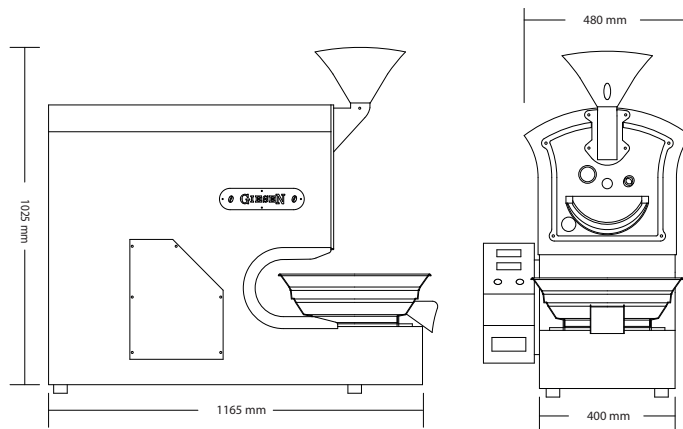
Weight
150 kg



Gas
Natural and Propane



Certificates
CE





Coffee Roaster W1A



Easy maintenance

Automatic burner control

Internal cyclone

Digital drumspeed control

Digital airflow control

Data logging and profiling

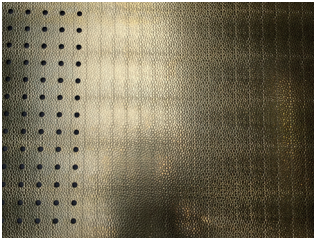
Options



Presentation table



Desired NCS/RAL color



Brass hammerd roof



Temperature sensor
Double read-out 3mm



Roast profile system
Laptop



Infrared camera
Bean temperature

Specifications



Capacity
100 gram - 1500 gram



Exhaust
Ø 100 mm



Power
230 V - 50/60 Hz



Weight
150 kg



Gas
Natural and Propane



Certificates
CE

