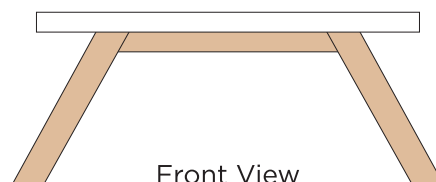
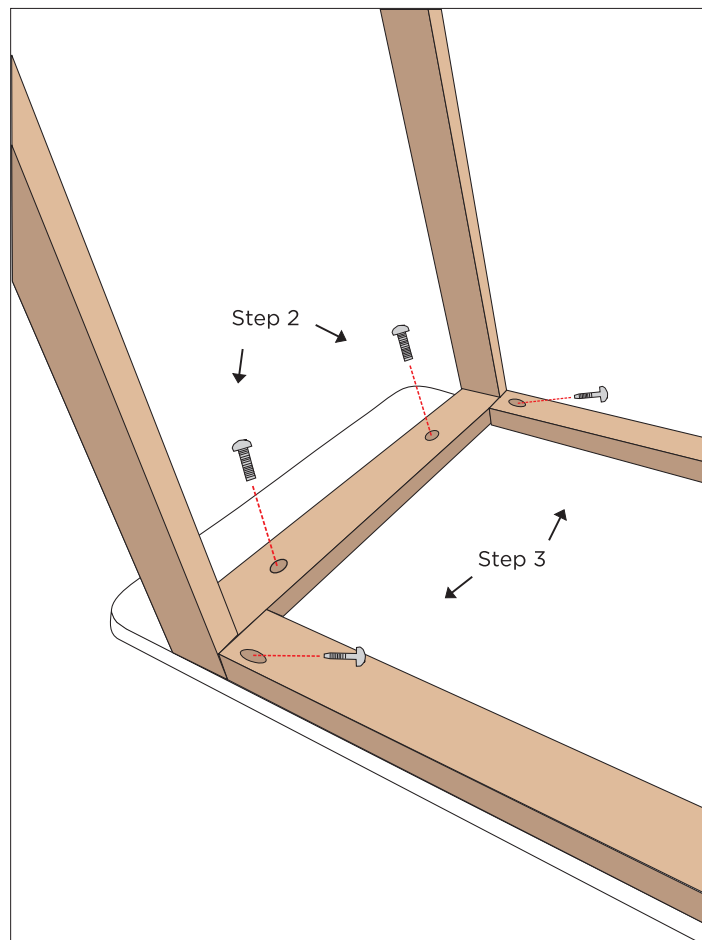




MOD RITE Slope Table Assembly Instructions

1. Place table top face down on a flat surface.
2. Line up each table leg so that they are angled inwards. Screw in the four machine screws through the legs, connecting both of the legs to the table top.
3. Run four wood screws through the four pocket holes, connecting both of the legs to the wood center pieces.



Front View