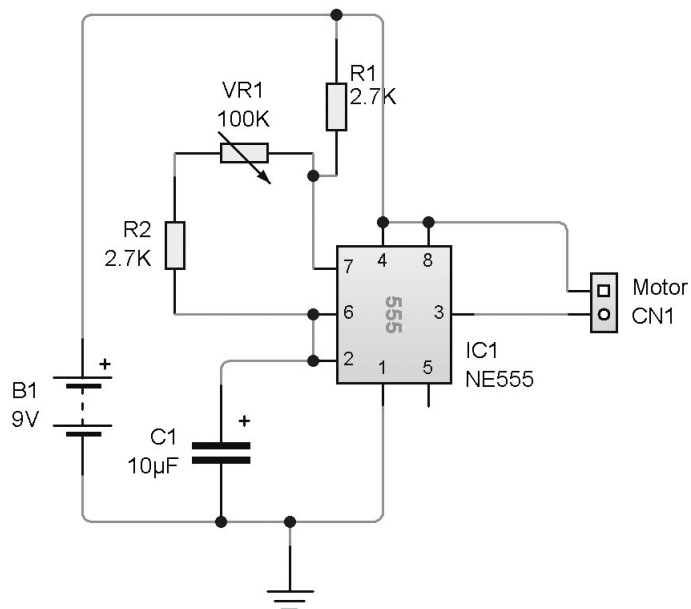
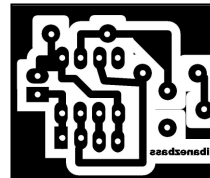
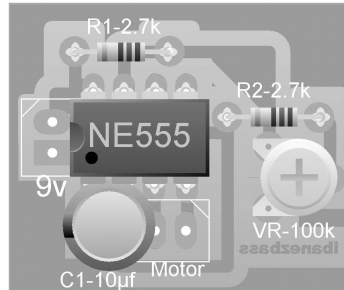


# PCB ETCHER BOARD



## PARTS LIST

- R1-2.7K
- R2-2.7K
- VR1-100K
- C1-10MF
- IC1-NE555