

TIME TO CATCH EM' ALL

Featuring:
the Ant &
the Aphid



Dion Chew &
Lung Nok Wan



ALERT: DANGER

A predator approaches, it's time to freefall to safety!

TREATED LIKE ROYALTY

Aphids barely move on their own, as they wait for their caretaker ants to carry them to their next food source.

CARETAKER

Ants not only carry the aphids around, they also "milk" them for honeydew substance.

A COLONY

Worker ants work together!

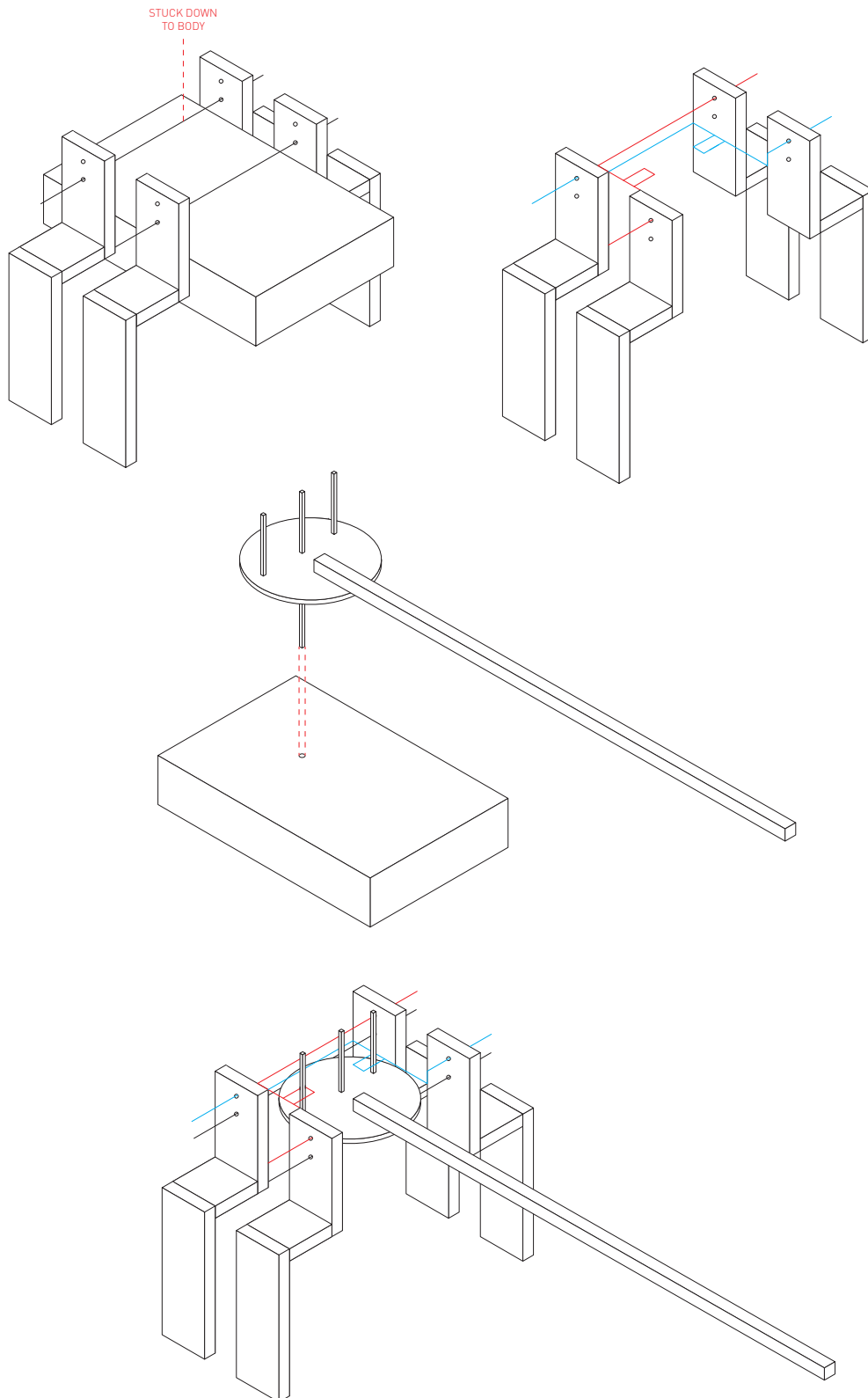
STRONG LIFTERS

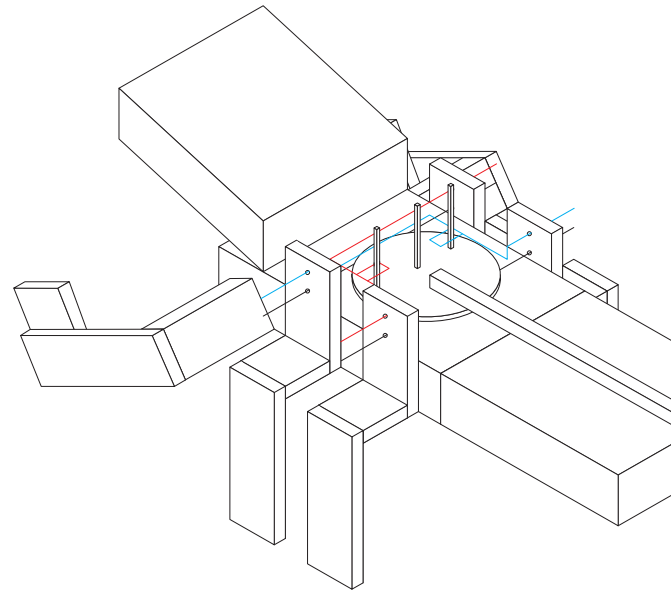
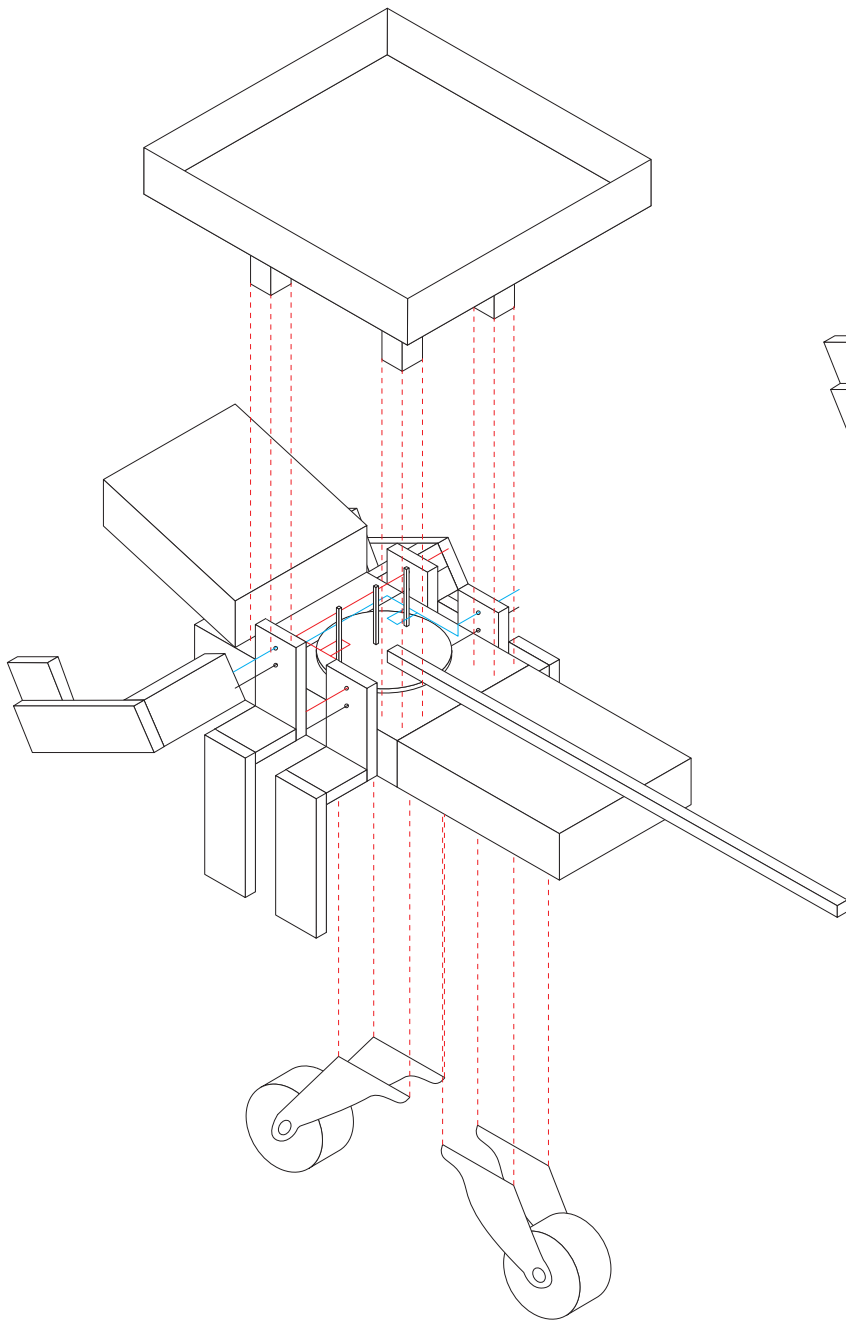
Ants can lift 10-50 times their weight. How many aphids can they lift?



ISOMETRIC ASSEMBLY

A mechanism that allows for an ant's **'alternating tripod'** system, where their alternate legs move at the same time.

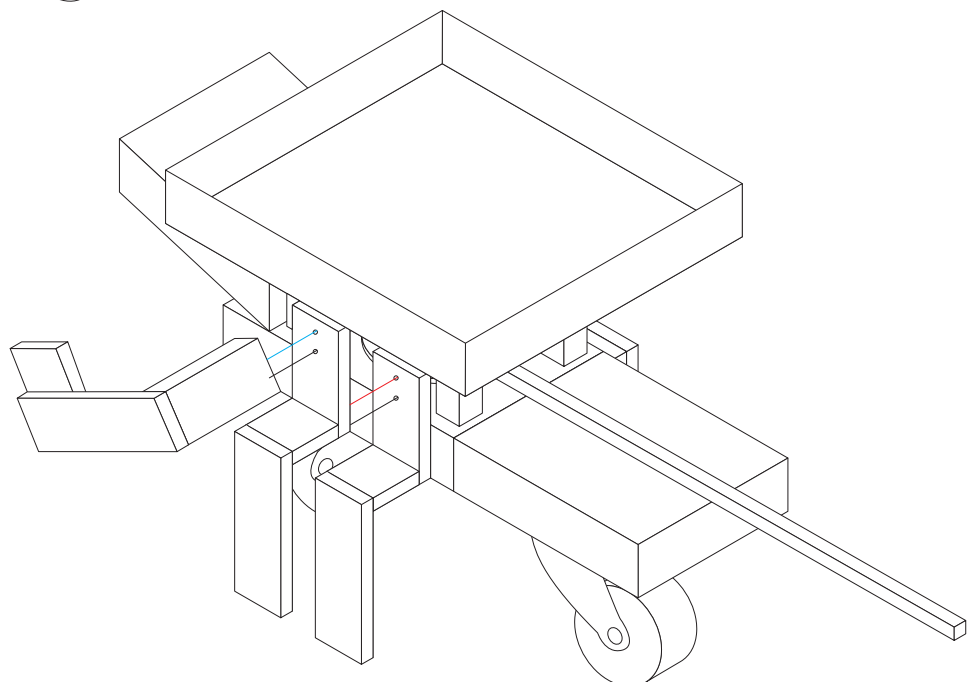




ISOMETRIC ASSEMBLY

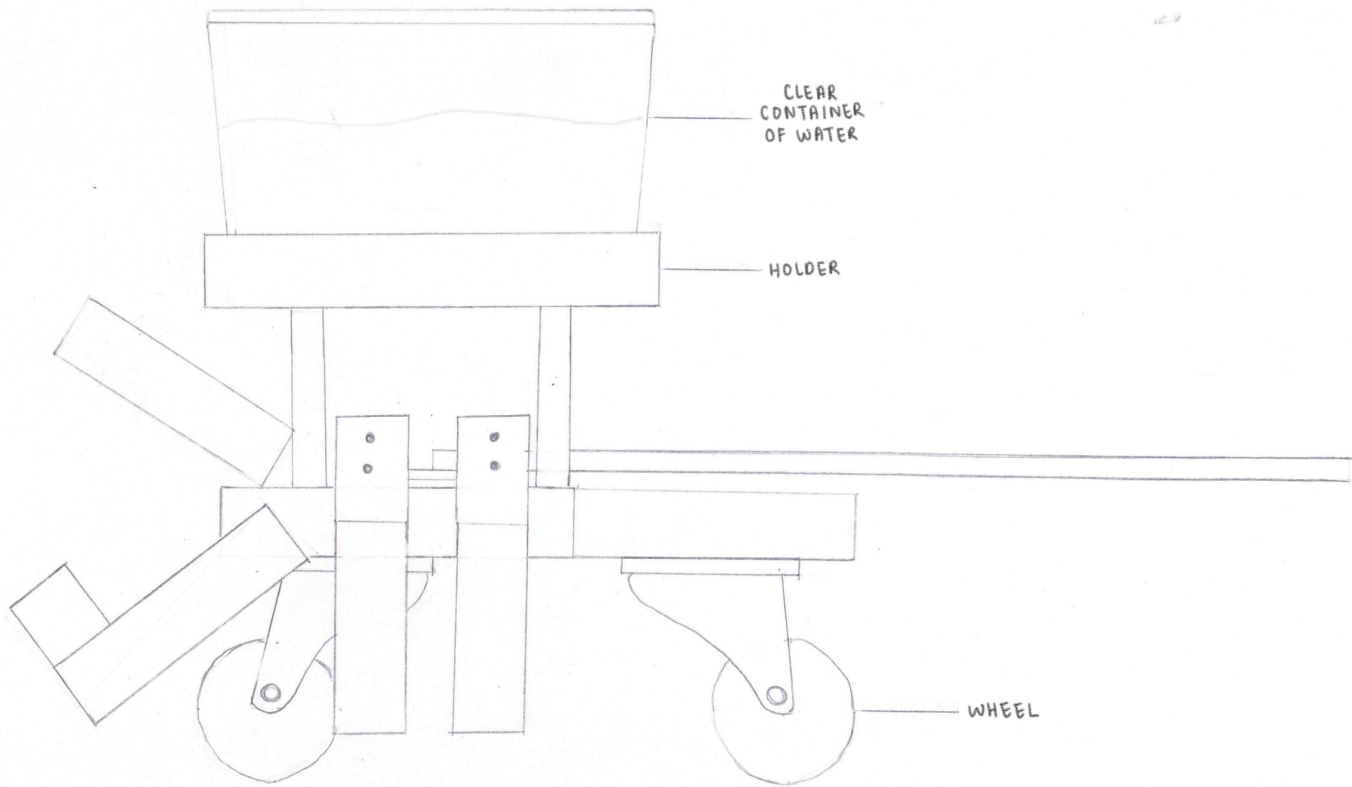
Essembling the full ant's body with a head, thorax, abdomen and all six legs, where the front two imitate the carrying of an aphid.

Incorporating a holder and wheels, to catch the falling aphids and for full mobility of the ant.





HOW MANY WILL MAKE IT TO SAFETY?

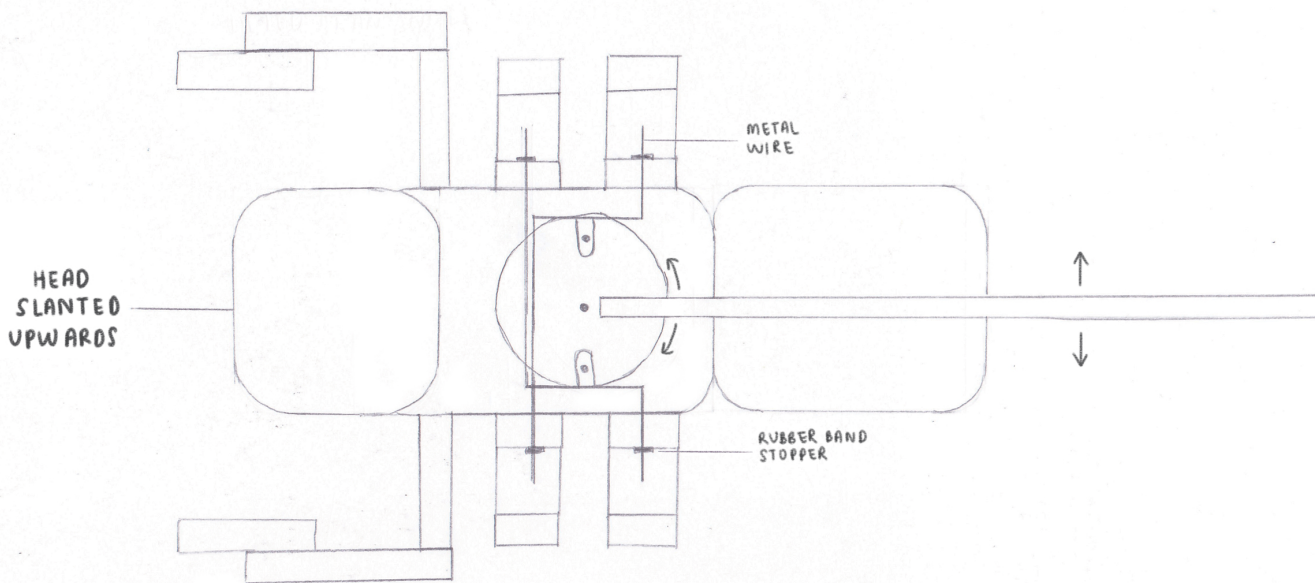


ELEVATION
SCALE: 1:2

**PLACE
YOUR
BETS**

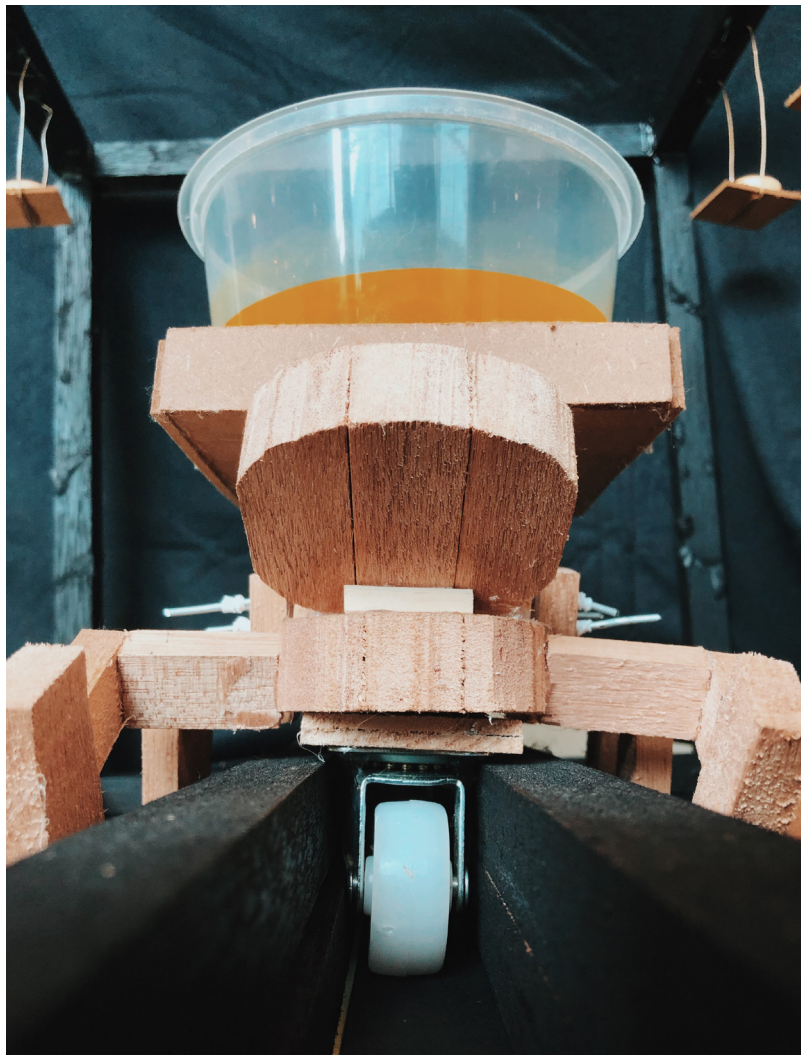


**CAN IT
CATCH
THEM
ALL?**

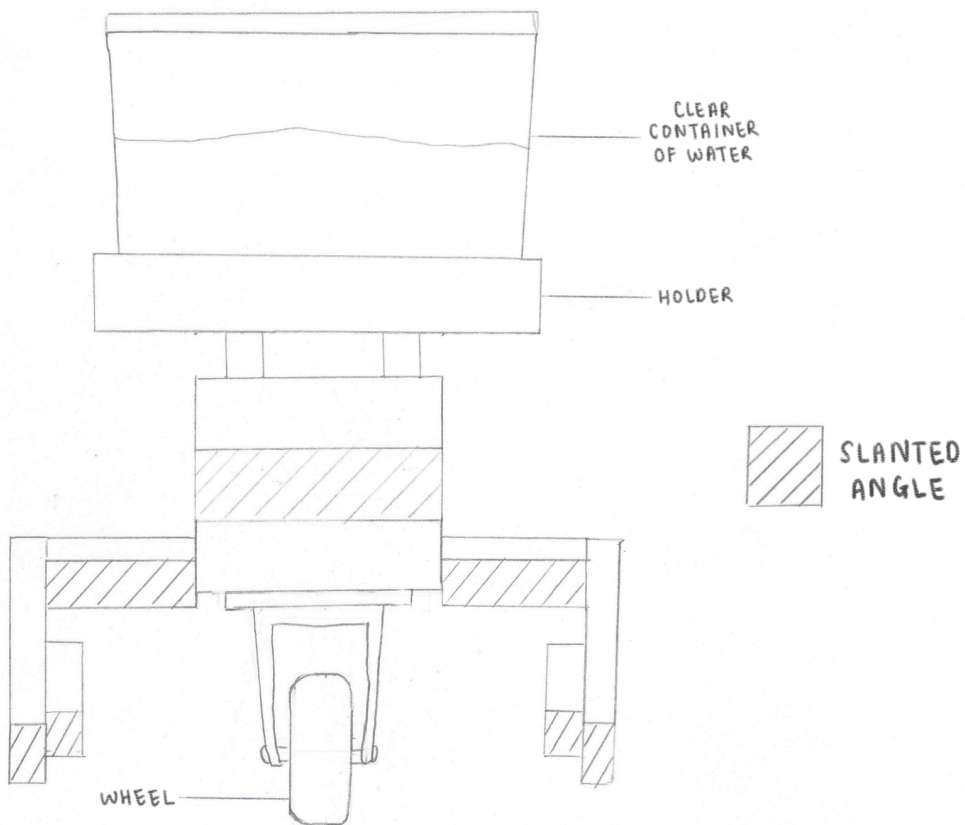


PLAN
EXCLUSIVE OF HOLDER
SCALE: 1:2

THE BURDEN OF WEIGHT ON ITS BACK,

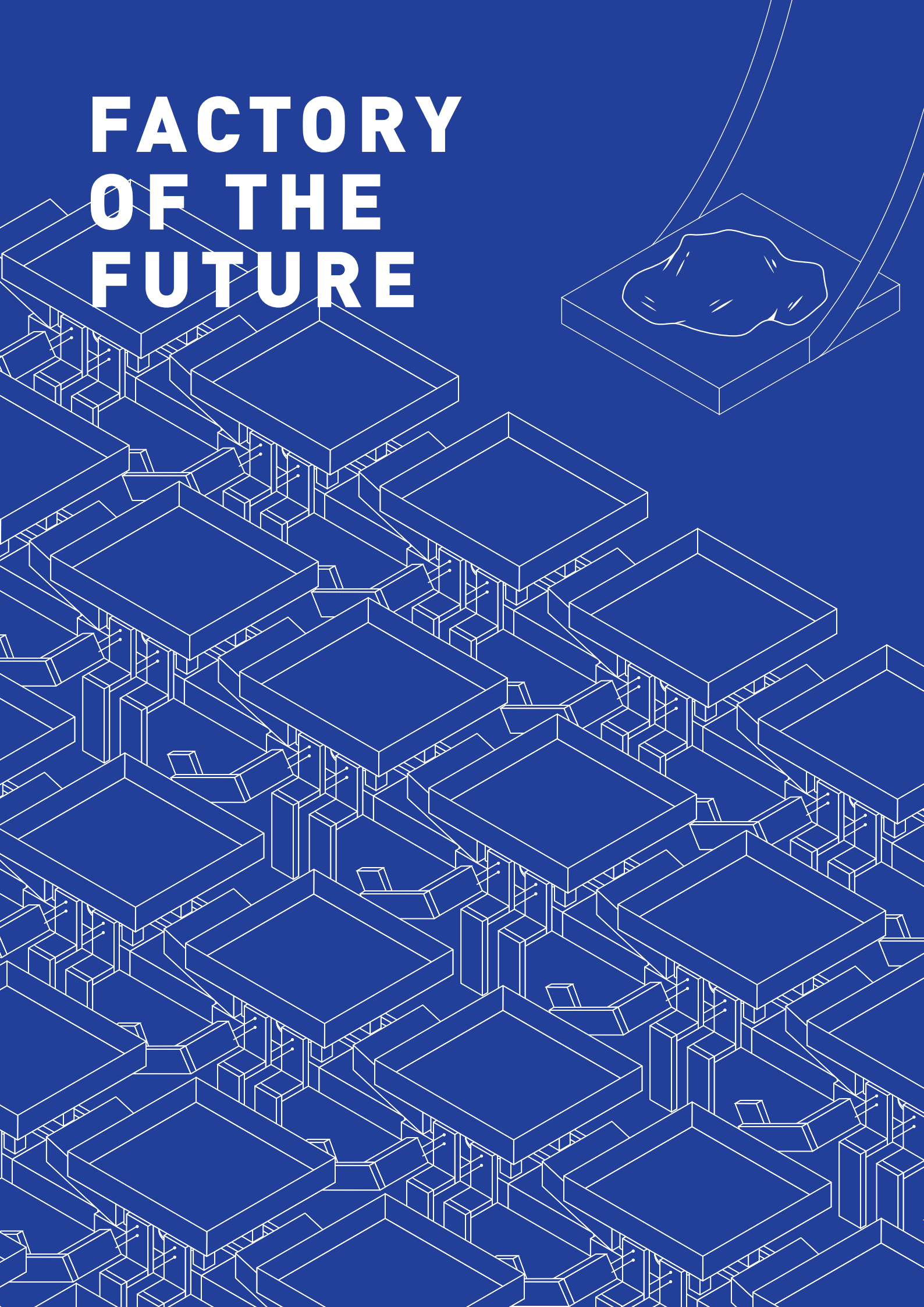


HOW FAR CAN IT NOW GO?



FRONT ELEVATION
SCALE: 1:2

FACTORY OF THE FUTURE





**SWING
AND
DIVE**